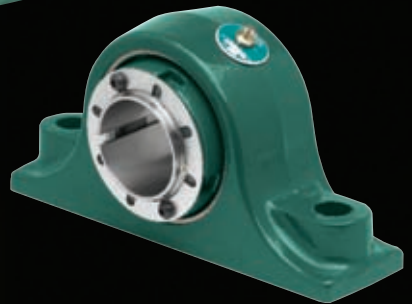
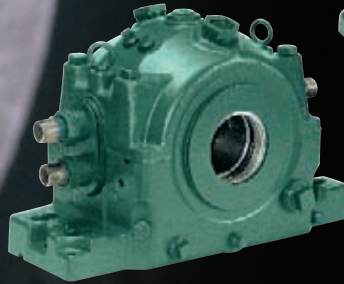


DODGE

BEARING ENGINEERING CATALOG



BALDOR
DODGE

To receive a copy of the DODGE Bearing Engineering Catalog, DODGE Gearing Engineering Catalog or DODGE Power Transmission Components Engineering Catalog, contact your local authorized DODGE Distributor or Baldor Electric Co., P.O. Box 499, 6040 Ponders Court, Greenville, SC 29602.

Below is a list of registered and trademarked names in the U.S.A.

| | | |
|--------------------------|-------------------------------|---------------------|
| AERO™ | LIBERATOR® | SCR DESIGN® |
| AIRTRON® | LODE-SPHER® | SERVICELINE® |
| APEX® | MASTER® | SLEEVOIL DESIGN® |
| AUTOMATE® | MASTER and Design™ | SLEEVOIL® |
| AUTOMAX® | MAXPAK® | SOLIDLUBE® |
| Brand X™ | MAXUM® | SPEEDSETTER® |
| BRONZOIL DESIGN® | METRE® | STAREC® |
| CALIBRE™ | MINE DUTY EXTRA® | TAPER-LOCK® |
| DAGGRE™ | MOTO DRIVE® | TCO APPRAISAL™ |
| DODGE® | MOTODRIVE® | TCO TOOLBOX® |
| DODGE DOUBLE-INTERLOCK® | MOTOMATIC® | TIGEAR® |
| DOUBLE-INTERLOCK® | MOTO-MATIC® | TIGEAR-2™ |
| DUTY MASTER® | NYLIGN® | TIGER TORQUE® |
| DYNA V® | PARAFLEX® | TORQUE-ARM™ |
| DYNA V DESIGN® | PARA-FLEX® | TORQUE-TAMER® |
| DYN-ADJUST® | PLS® | TRANSMISSIONEER® |
| DYNAFACE® | POLYBAND® | TRANSMISSIONEERING® |
| DYNA-SYNC® | POLY-DISC® | TRI-MATIC® |
| ELECTRO-CRAFT® | POLY-FLEX® | TYPE E-XTRA® |
| ENDURASEAL® | POWER LEAN® | ULTIMA® |
| E-Z KLEEN® | QUANTIS® | ULTRA KLEEN™ |
| E-Z KLEEN™ | REEVES® | UNIBRAKE® |
| FIRST LINE® | RELIALUBE® | UNIFIED® |
| FLEXALIGN® | RELIANCE® | UNISPHERE® |
| FLEXIDYNE® | RELIANCE (IN KATAKANA)® | V S® |
| FLEXLINK® | RELIANCE AUTOMATION® | V S® |
| FLEXPAC® | RELIANCE DESIGN® | V S DESIGN® |
| GRID-LIGN® | RELIANCE ELECTRIC® | VARI-SPEED® |
| GRIP TIGHT® | RELIANCE V S DESIGN® | VARI-SPIN® |
| GRUNT MAN (Design only)® | RELIANCE V S DESIGN® | VIA VISA® |
| GRUNT WORK AND DESIGN® | ROLLING GRIP® | VS STAR DEVICE® |
| HYDROIL® | RPM AC™ | WEBPAK® |
| IMPAK® | RPM III™ | WEBPAKCS® |
| INVERTRON® | SCHOOL OF TRANSMISSIONEERING® | |

MEMBER OF . . .



AMERICAN GEAR MANUFACTURERS ASSOCIATION



MECHANICAL POWER TRANSMISSION ASSOCIATION

AFBMA

ANTI-FRICTION BEARING MANUFACTURERS ASSOCIATION



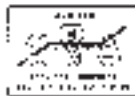
AMERICAN SUPPLY AND MACHINERY MANUFACTURERS ASSOCIATION, INC.



BEARING SPECIALISTS ASSOCIATION



POWER TRANSMISSION DISTRIBUTORS ASSOCIATION



CONVEYOR MANUFACTURERS ASSOCIATION



DODGE Products are
Manufactured in ISO 9002
Certified Plants

Prices and data indicated in this document are for your convenience and were correct at time of printing with the exception of clerical and/or printing errors. Possession of this document by any person or company is not to be construed as an offer to sell to him or to anyone else the goods listed herein at the prices stated.

ALL DATA AND PRICES ARE SUBJECT TO CHANGE WITHOUT NOTICE and shall be subject to those prices in effect at time of shipments. All published and quoted prices are based upon the application of, and all sales are expressly subject to, the Company's Standard Terms and Conditions of Sales are available upon request. This document supersedes all previously published catalog/pricing documents.

In illustrations throughout this catalog, safety guards have been removed for photographic purposes.

© 2007 Baldor Electric Company

WARNING

The information provided for Product Interchange in this catalog is for use only as a general reference by persons qualified to recognize unreasonable selection options. Products suggested as substitutes may have dimensional, rating, pricing and other differences from products to be replaced. This selection method must be used in conjunction with the applicable product catalog which contains important precautions and other pertinent information.

WARNING: Because of the possible danger to person(s) or property from accidents which may result from the improper use of products, it is important that correct procedures be followed: Products must be used in accordance with the engineering information specified in the catalog. Proper installation, maintenance and operation procedures must be observed. The instructions in the instruction manuals must be followed. Inspections should be made as necessary to assure safe operation under prevailing conditions. Proper guards and other suitable safety devices or procedures as may be described or as may be specified in safety codes should be provided, and are neither provided by Baldor Electric Company nor are the responsibility of Baldor Electric Company. This unit and its associated equipment must be installed, adjusted and maintained by qualified personnel who are familiar with the construction and operation of all equipment in the system and the potential hazards involved. When risk to persons or property may be involved, a holding device must be an integral part of the driven equipment beyond the speed reducer output shaft.

CONTENTS



DODGE BEARING CATALOG

| | |
|--------------------------------------|----------------------|
| QUICK REFERENCE | REFERENCE GUIDE-1 |
| BALL BEARING INDEX | BALL BEARING INDEX-1 |
| E-Z KLEEN® | B1-1 |
| GRIP TIGHT® | B2-1 |
| SETSCREW BALL BEARING..... | B3-1 |
| ECCENTRIC COLLAR BALL BEARINGS | B4-1 |
| D-LOK™ BALL BEARINGS | B5-1 |
| THE E-FAMILY ROLLER BEARINGS..... | B6-1 |
| SPECIALITY TAPERED PRODUCTS..... | B7-1 |
| S-2000..... | B8-1 |
| UNISPHERE II®..... | B9-1 |
| IMPERIAL - ISN™..... | B10-1 |
| UNIFIED® SAF | B11-1 |
| INTERNATIONAL | B12-1 |
| SLEEVE BEARINGS..... | B13-1 |
| SLEEVOIL®..... | B14-1 |
| TAKE-UP FRAMES & BASE PLATES | B15-1 |
| ENGINEERING | B16-1 |
| PART NUMBER INDEX | INDEX-1 |
| KEY WORD INDEX | INDEX-29 |

NOTES



REFERENCE GUIDE



Food & Beverage Ball Bearings, Page B1-2

- Two types: polymer housed units and stainless steel housed units
- Two inserts: corrosion resistant (comparable to 440 stainless steel) and standard steel insert with flingers
- Three locking styles: 65° setscrew angle (SC), concentric clamp collar (GT), and thin wall adapter (GT)
- Single-lip contact seal with flingers (standard), end covers available from stock
- Optional—BEV modification for the beverage industry
- Interchangeable mounting dimensions with most competitive products
- Anti-rotation device prevents insert rotation associated with light or rotating loads/high-speed applications
- Plus or minus 2° static misalignment



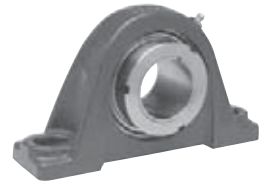
Polymer-Housed Polymer Sleeve Bearings Page B1-2

- Polymer housing contains additive that prevents bacterial and fungal growth
- All polymer and stainless steel construction
- Solid polymer housing has no cavities and no fillings
- Conforms to FDA /USDA specifications
- Polymer sleeve insert with stainless steel anti-rotation pin
- No lubrication required, self-lubricated polymer sleeve insert for maintenance-free operation
- Offered in a wide variety of housing configurations and all popular bore sizes
- Operates in temperatures from -40°F to 180°F
- 3/4 - 1-15/16 size



GRIP-TIGHT Ball Bearings, Page B2-1

- Two types: normal duty GT and medium duty GTM
- Single-lip contact seal with flingers (standard), low-torque labyrinth seal (optional), end covers available from stock
- Interchangeable mounting dimensions with most competitive products
- Thin Wall Adapter mounting offers 360° full shaft contact and concentricity. No shaft marring or fretting corrosion like setscrew and eccentric collar products. Built in bearing puller easily removes the bearing from the shaft. Turned, ground, and polished shafting is not required.
- Anti-rotation device prevents insert rotation associated with light or rotating loads/high-speed applications
- Expansion and non-expansion pillow blocks available for popular shaft sizes
- High-temperature option available to 400°F
- Plus or minus 2° static misalignment



Setscrew Ball Bearings, Page B3-1

- Four types: normal duty SC, medium duty SCM, intermediate duty VSC, and light duty SL
- Single-lip contact seal (standard), single-lip contact seal with flingers (optional on SC and SCM), low-torque labyrinth seal (optional on SC and SCM), end covers available from stock for SC, SCM and VSC
- Interchangeable mounting dimensions with most competitive products
- 65° setscrew angle for greater holding power and ease on installation in confined areas
- Anti-rotation device on SC and SCM bearings prevents insert rotation associated with light or rotating loads/ high-speed applications
- Expansion and non-expansion pillow blocks available for popular SC shaft sizes
- High-temperature option available to 400° F on SC and SCM
- Plus or minus 2° static misalignment



REFERENCE GUIDE



Eccentric Collar Ball Bearings, Page B4-1

- Three types: normal duty SXR, intermediate duty SXV, and light duty SLX
- Single-lip contact seal (standard), single-lip contact seal with flingers (optional on SXR), low-torque labyrinth seal (optional on SXR), end covers available from stock for SXR and SXV
- Interchangeable mounting dimensions with most competitive products
- Eccentric collar locks the bearing to the shaft by a quarter turn of the collar in direction of shaft rotation collar is secured in place with setscrew
- Anti-rotation device on SXR prevents insert rotation associated with light or rotating loads/high-speed applications
- Expansion and non-expansion pillow blocks available for popular SXR shaft sizes
- High-temperature option available to 400°F on SXR
- Plus or minus 2° static misalignment



D-LOK Ball Bearings, Page B5-1

- Two types: normal duty DL and medium duty DLM
- Single-lip contact seal with flingers (standard), low-torque labyrinth seal (optional), end covers available from stock
- Interchangeable mounting dimensions with most competitive products
- Concentric clamp collar locks the bearing to the shaft by tightening a single Allen wrench cap screw, the bearing will not mar the shaft like setscrew and eccentric collar bearings, provides concentricity between the bearing and shaft
- Anti-rotation device prevents insert rotation associated with light or rotating
- Expansion and non-expansion pillow blocks available for popular shaft sizes
- High-temperature option available to 400°F
- Plus or minus 2° static misalignment



Air Handling Ball Bearings, Page B2-12, B3-14, B5-66,

- Thin wall adapter: normal duty GTAH and medium duty GTMAH
- Setscrew: normal duty (SCAH) and medium duty (SCMAH)
Concentric clamp collar: normal duty (DLAH) and medium duty (DLMAH)
- Single-lip contact seal (standard on SCAH and SCMAH), single-lip contact seal with flingers (optional on SCAH and SCMAH, standard on DLAH, DLMAH and GTAH, GTMAH), low-torque labyrinth seal (optional), end covers available from stock
- Interchangeable mounting dimensions with most competitive products
- Anti-rotation device prevents insert rotation associated with light or rotating loads/high-speed applications
- Plus or minus 2° static misalignment
- Expansion and non-expansion pillow blocks available for popular shaft sizes
- High-temperature option available to 400°F



Type E Tapered Roller Bearings (E-XTRA), Page B6-1

- Tapered rolling elements
- Completely assembled, factory adjusted, and properly lubricated—shaft ready
- Extra protection—E-TECT™ seal option
- Comparable mounting dimensions with ball bearings
- E-XTRA allows easy upgrade from ball bearings



Double-Interlock Tapered Roller Bearings, Page B6-1

- Tapered roller bearing durability in a variety of styles
- Extra protection E-TECT seal option
- Special clearances and greases available
- Self aligning
- Factory assembled, adjusted, and lubricated—shaft ready
- Sealed bearing



REFERENCE GUIDE



Type K Tapered Roller Bearings, Page B6-1

- Tapered roller bearing with reduced length through bore
- Single collar design saves space and installation time
- Allows bearing to be closer to the load for reduced shaft design
- Self aligning
- Factory assembled, adjusted, and lubricated—shaft ready
- Same housing as double-interlock
- Extra protection-E-TECT™ Seal Option



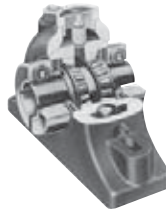
TAF Tapered Roller Bearings Page B6-1

- Tapered bearing is a cost-saving alternative to SAF spherical bearings
- Shaft ready—mounts six times faster than SAF
- Interchangeable with SAF style pillow blocks
- Self aligning, factory assembled, adjusted, and lubricated
- E-TECT seal option available up to 5°
- Optional sensors for speed, vibration, and temperature
- Up to 5° static misalignment



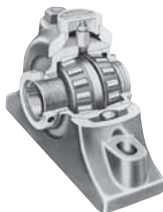
Type C Specialty Tapered Bearings, Page B7-1

- Two single-row tapered bearings press-fitted on sleeve
- Improved concentricity over other collar-mounted types of bearings
- Steel multiple labyrinth seals
- Rugged two-piece outer housing
- Positive concentric clamp sleeve mounting
- Heavy duty gray iron



Special Duty Tapered Roller Bearings, Page B7-1

- Quality duplex tapered roller bearing
- Tapered adapter sleeve mounting
- Effective piston ring seals
- Rugged two-piece housing
- Heavy duty gray iron



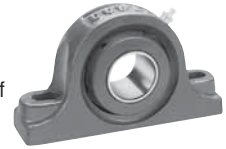
S-2000 Spherical Roller Bearings, Page B8-1

- High-capacity, double-row spherical rollers
- Permits static or dynamic misalignment up to 2°
- Factory sealed, lubed, and adjusted
- Features springlok® collar that acts as a flinger
- Available with TRIDENT triple lip labyrinth seal options
- 65° springlok collar mount for increased holding power vs. 90° or 120°
- Setscrew mounted



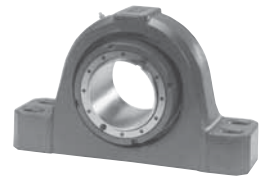
UNISPHERE II Spherical Roller Bearings Page B9-1

- Dimensionally interchangeable with ball bearings in length through bore, base-to-center height, and footprint
- Approximately five times the rating of ball bearings
- Features same rolling elements and installation-ready components as S-2000
- Maintains sealing effectiveness with proven “R” seal
- Tapered seal area maintains seal contact during maximum misalignment
- Springlok collar mount with 65° setscrew spacing for optimum clamping force



Imperial IP Spherical Roller Bearings Page B10-1

- Industry's only push/pull adapter mount system
- Available in 2-bolt and 4-bolt pillow blocks, flanges, and take-ups
- Accepts commercial toleranced shafting
- Installation and removal in less than 15 minutes
- Full concentric shaft attachment with adaptor sleeve mount
- Virtually eliminates fretting corrosion
- Capable of withstanding static or dynamic misalignment of $\pm 1^\circ$
- Shaft-ready out of the box
- Available with TRIDENT triple lip labyrinth seal options



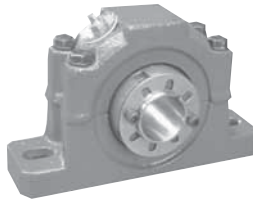
REFERENCE GUIDE



ISAF Spherical Roller Bearings

Page B10-10

- Dimensionally interchangeable with SAF style pillow blocks
- Patented Imperial™ adapter mounting system
- Installation and removal in less than 15 minutes
- Easy installation—no feeler gauges needed
- Available with TRIDENT triple lip labyrinth seal options
- Full 2° misalignment capability
- Virtually eliminates fretting corrosion
- Shaft-ready out of the box, no assembly of components necessary



USAF Spherical Roller Bearings

Page B11-30

- 22200, 22300, 23000, 23100, and 23200 Series
- Industry-standard dimensions interchangeable with SAF housings
- Five sealing options to match most operating conditions
- Cast-in dimples locate drill holes for lube fitting, vents, sensors, and mounting modifications
- Standard housings have two oversized drains adaptable for circulating oil systems
- Pry slots allow easy separation of the pillow block



Split-Spher Spherical Roller Bearings

Page B11-5

- Split-race spherical bearing fits USAF 500 housings and replaces bearing and adapter assemblies
- Easy to replace without removing other shaft-mounted components
- Only split-race bearing made to standard SAF pillow block dimensions
- Has same OD dimensions as a standard spherical bearing
- Uses 22200 Series split roller bearings



SNX Spherical Roller Bearings

Page B11-23

- Dimensionally interchangeable plummer block with metric SN housing
- General-purpose, high-capacity, double-row, spherical roller bearings
- Adapter and direct mount
- Five different sealing options to match most operating conditions
- Grease or oil lubrication



HFO Plummer Block Bearings

Page B12-9

- Plummer block housings with oil-conveying ring lubrication
- Used with 22200, 22300, 22200K, and 22300K Series spherical roller bearings
- Available with labyrinth seals or end covers
- Material: gray cast iron



PDFN & BLO..A

Page B12-20 and B12-25

- Solid housings incorporate two bearing seats
- Misalignment is virtually eliminated
- PDFN Series is grease lubricated
- BLO..A Series is oil lubricated
- BLO..A Series is designed for heavy duty service



DFL

Page B12-22

- Flange mount housings with two bearing seats
- DFLS version allows for axial adjustment of fan impeller location
- Heavy duty, with double row spherical or deep groove ball bearings
- Standard version is lubricated for life



SOLIDLUBE Sleeve Bearings

Page B13-6

- Functions in harsh environments where ball bearing will not
- Self-lubricating, statically self aligning
- Covers a wide range of temperature extremes
 - 700 Series: -40°F to 700°F
 - 1000 Series: -200°F to -40°F and 250°F to 1000°F
- Housing types: 2-bolt pillow blocks, 4-bolt and 2-bolt flange units, and take-up units
- Ideal where bearings are subject to dry cycles or where lube systems would be too costly
- Recommended for slow speeds and limited shaft movement applications
- Bore sizes 3/4" to 8"



REFERENCE GUIDE



Babbitted & Bronze Bushed Bearings

Page B13-10

- Good for slow to medium and shock loads
- Good for slow speeds and shock loads
- Capable of MPTA load ratings
- Cast-iron housings in 2- and 4-bolt pillow blocks
- Babbitted bearing features solid or fully split housing
- Bronze bushed bearing features fully split housing
- Bronze bushing is split and easily replaced



BRONZOIL

Page B13-12

- Feeds oil to shaft with self-oiling bushing
- Sleeve bearings with split pressed steel housing
- Statically self aligning
- Features bushing shoulder that provides self-lubricating bearing thrust face
- Designed with slotted holes
- Available with oil-resistant rubber grommets for sound isolation and static electricity protection
- Housing types: 2-bolt pillow and 4-bolt flange

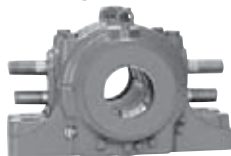


SLEEVOIL R Series

Hydrodynamic Pillow Block Bearings

Page B14-3

- Extended life (no metal-to-metal contact during operation)
- Handles high speeds
- Dampens vibration, provides quiet operation
- Fully split for ease of maintenance
- Self aligning
- Thrust capability
- External cooling (air, water, or oil) available for hot shafts



SLEEVOIL RTL Series Hydrodynamic

Pillow Block Bearings

- Extended life (no metal-to-metal contact during operation)
- Handles high speeds
- Dampens vibration, provides quiet operation
- Fully split for ease of maintenance
- Self aligning
- Three times the thrust load capability of R Series
- External cooling (air, water, or oil) available for hot shafts



SLEEVOIL P Series

Pedestal Hydrodynamic Bearings

Page B14-5

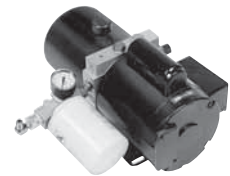
- P Series is used on motors, generators, fans, test stands, dynamometers, pumps, compressors, and other turbo machinery
- Dimensionally interchangeable with DIN standard 31690 and ISO 11687-1
- Meets API and NEMA end-float specifications
- Fully split components allow trouble-free assembly and disassembly
- Circulating oil-ready housing accommodates high speeds, elevated temperatures, and dirty environments
- Large-capacity oil sump promotes cooler operation



SLEEVOIL Oil Level & Filtration System (OLF)

Page B14-38

- Maintains proper oil level while bearing is running
- Increases bearing performance and life
- Allows even oil distribution and cooler operating temperatures
- Ensures filtered clean oil
- Permits easy filter change while bearing is operating
- Custom-engineered to support SLEEVOIL bearings



Take-Up Frames

Page B15-1

- 6 take-up frame types available from stock
- Standard take-up frame travel from 1-1/2" to 60"
- Take-up frames allow for the mounting of Dodge ball, roller, and sleeve bearings
- Take-up frame capacity is pre-engineered to exceed bearing capacity
- Made to provide/maintain tension and shaft centers on a variety of belt and chain-type conveyors
- Hydraulic and pneumatic tensioning available



Smart Products

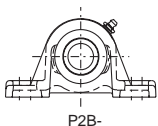
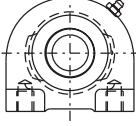

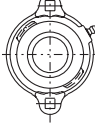
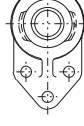
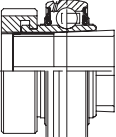
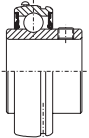
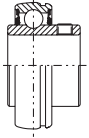
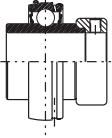
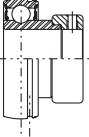
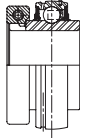
Page B6-61, B10-66

- Online monitoring of temperature, vibration, and speed
- EZ Link Connects to DeviceNet™
- Plug and play installation
- Available on TAF and USAF



BALL BEARING INDEX



| | | HOUSING | | | | | | |
|----------------|---|--|---|--|---|--|--|---|
| | |  |  |  |  |  | | |
| | | P2B- | TB- | F2B- | LFT- | FB- | | |
| INSERTS |  | P2B-GT-... B2-8 P2B-GTEZ-... PCR B1-14 P2B-GTEZ-... SHCR B1-16 P2B-GTM-... B2-10 | TB-GT-... B2-30 TB-GTEZ-... PCR B1-30 | F2B-GT-... B1- F2B-GTEZ-... PCR B1-38 F2B-GTEZ-... SHCR B1-40 F2B-GTM-... B1- | | FB-GT-... B1- FB-GTEZ-... PCR B1-52 | | |
| |  | P2B-SC-... B3-10 - B3-14 P2B-SCRZ-... PCR B1-18 P2B-SCRZ-... SHCR B1-20 P2B-SCM-... B3-26 - B3-30 | TB-SC-... B3-42 TB-SCRZ-... PEC B1-32 | F2B-SC-... B3-44 - B3-46 F2B-SCRZ-... PCR B1-42 F2B-SCEZ-... SHCR B1-44 F2B-SCM-... B3-54 | LFT-SC-... B3-60 | FB-SC-... B3-64 FB-SCRZ-... PCR B1-54 | LF-SC-... B3-66 | |
| |  | P2B-VSC-... B3-32 - B3-34 | | F2B-VSC-... B3-58 F2B-SL-... B3-62 | | | | F3B-SL-... B3-68 |
| |  | P2B-SXR-... B4-10 - B4-14 | TB-SXR-... B4-28 | F2B-SXR-... B4-32 | | | FB-SXR-... B4- | |
| |  | P2B-SXV-... B4-20 - B4-24 | TB-SXV-... B4-30 | F2B-SXV-... B4-34 F2B-SLX-... B4-42 | LFT-SXV-... B4-40 | | | LF-SXV-... B4-44 F3B-SLX-... B4-46 |
| |  | P2B-DL-... B5-8 - B5-12 P2B-DLEZ-... PCR B1-24 P2B-DLEZ-SHCR B1-26 P2B-DLM-... B5-14 - B5-16 | TB-DL-... B5-20 TB-DLEZ-... PCR B1-34 | F2B-DL-... B5-22 F2B-DLEZ-... PCR B1-46 F2B-DLEZ-... SHCR B1-48 F2B-DLM-... B5-24 | LFT-DL-... B5-28 | | FB-DL-... B5-32 FB-DLEZ-... PCR B1-56 | LF-DL-... B5-30 |

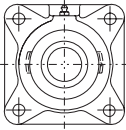
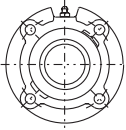

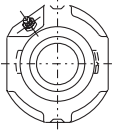
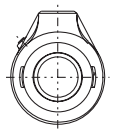
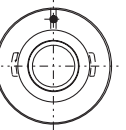
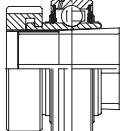
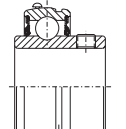
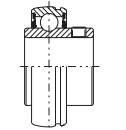
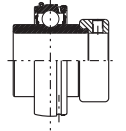
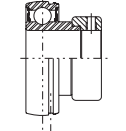
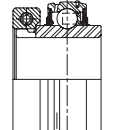


Not Recommended

Made to Order / Modification Required

BALL BEARING INDEX



| | | HOUSING | | | | | |
|--|---|---|---|---|--|---|----------------|
|  |  |  |  |  |  | | |
| F4B- | FC- | NSTU-WSTU-TP- | HNG- | SCHB- | CYL- | | |
| F4B-GT-... B2-48 F4B-GTEZ...PCR B1-60 F4B-GTEZ...SHCR B1-62 F4B-GTM-... B2-50 | FC-GT-... B2-64 FC-GTM-... B2-66 | | | | |  | INSERTS |
| F4B-SC-... B3-70 - B3-72 F4B-SCRZ...PCR B1-64 F4B-SCRZ...SHCR B1-66 F4B-SCM-... B3-78 | FC-SC-... B3-86 FC-SCM-... B3-88 | NSTU-SC-... NTSU-SCM-... TP-G-... B3-90 - B3-92 WSTU-SCEZ...PCR B1-78 WSTU-SC-... WSTU-SCM-... TP-G-... B3-98 - B3-100 | HNG-SC-... B3-114 | SCHB-SC-... B3-116 | CYL-SC-... B3-118 |  | |
| F4B-VSC-... B3-82 F4B-SL-... B3-84 | | WSTU-VSC-... B3-106 NSTU-VSC-... B3-96 | | | |  | |
| F4B-SXR-... B4-48 | FC-SXR-... | WSTU-SXR-... NSTU-SXR-... TP-GXR-... B4-62, B4-64 B4-66 | HNG-SXR-... B4-70 | SCHB-SXR-... B4-72 | CYL-SXR-... B4-74 |  | |
| F4B-SXR-... B4-52 F4B-SLX-... B4-54 | FC-SXV-... B4-34 | NSTU-SXV-... WSTU-SXV-... B4-62 - B4-66 | | | |  | |
| F4B-DL-... B5-34 F4B-DLEZ...PCR B1-68 F4B-DLEZ...SHCR B1-70 F4B-DLM-... B5-36 - B5-38 | FC-DL-... B5-40 FC-DLM-... B5-42 | NSTU-DL-... NSTU-DLM-... B5-44 - B5-46 WTSU-DLEZ...PCR B1-78 WSTU-DL-... WSTU-DLM-... B5-48 - B5-50 TP-DL, TPDLM B5-52 - B5-54 | | SCHB-DL-... B5-56 | CYL-DL-... B5-58 |  | |

Not Recommended 

Made to Order / Modification Required 

CONTENTS



E-Z KLEEN Polymer and Stainless Steel Housed Ball & Sleeve Bearings

| | |
|---------------------------------------|----------|
| Features / Benefits | B1-2 |
| How to Order / Nomenclature | B1-4 |
| Easy Selection | B1-5 |
| Dimensions | |
| Pillow Blocks | B1-14 |
| Tapped Base Pillow Blocks | B1-30 |
| 2 Bolt Flange Bearings | B1-38 |
| Flanged Bracketed Bearings | B1-54 |
| 3 Bolt Flange Brackets | B1-58 |
| 4 Bolt Flange Bearings | B1-60 |
| Wide Slot Take-Up Bearings | B1-74 |
| Inserts | B1-80 |
| Interchange | B1-88 |
| Accessories | B1-90 |
| Part Number Index | INDEX-1 |
| Key Word Index | INDEX-34 |

Bearing Quick Reference

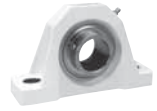
E-Z KLEEN

GRIP TIGHT Adapter Ball Bearing

Set Screw Ball Bearing

Eccentric Collar Ball Bearing

FEATURES/BENEFITS



Polymer and Stainless Steel Housed Mounted Bearings

Our goal at DODGE is to create the world's most successful customer. We do that by listening and responding to our customers' needs. Customers in the food and beverage processing industry told us they needed new and improved products that help make their industry safer - products that help in the fight against contamination from bacteria such as E. coli, salmonella, and staphylococcus aureus.

DODGE delivered by expanding our high performance E-Z KLEEN line with this new, improved generation of E-Z KLEEN engineered polymer housed ball and sleeve bearings and stainless steel housed ball bearings.



New DODGE E-Z KLEEN with solid-based housing

Competitive bearing with cavities and fillings that can trap bacteria



RUGGED, SOLID-BASE HOUSING

- Manufactured with no cavities and no fillings -no traps for bacteria
- Features anti-microbial polymer that helps prevent bacterial and fungal growth (polymer housing)
- Housing strength exceeds static capacity of bearing
- Designed with stainless steel lube fittings and stainless steel ferrules in bolt holes (polymer housed)
- 316 Series stainless steel housing also available
- For no relube (NL) remove the lube fitting and install the polymer plug that is shipped with each bearing
- Retains dimensional stability in harsh environments
- No flaking or peeling, even after repeated washdowns
- Provides excellent chemical resistance
- Available with open enclosed end closures
- FDA/USDA compliant

CORROSION-RESISTANT BALL BEARING INSERTS

- Corrosion resistant PROGUARD™ Plus seal with stainless steel flingers
- Corrosion-resistant inner and outer ring
- Stainless steel balls and lube fitting
- Stainless steel setscrews (SC) and stainless steel capscrew (DLOK)
- FDA/USA approved synthetic lubricant
- Relubricable
- Anti-rotation pin
- Reinforced, stabilized nylon cage
- Offered in inch and metric sizes
- Temperature range -20° to +225° F

THREE SHAFT LOCKING SYSTEMS FROM STOCK

- SC - Two stainless-steel setscrews set 65 apart
- D-LOK - Corrosion resistant concentric collar
- GT-GRIP TIGHT

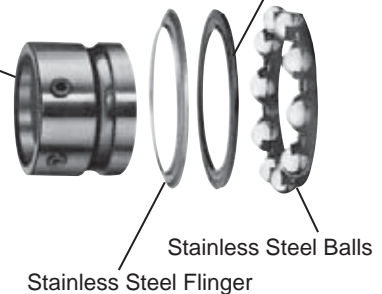
POPULAR HOUSING STYLES

- | | |
|--------------------------------|-------------------------------------|
| Polymer | Stainless Steel |
| • Pillow blocks | • Pillow Block bolt flange bearings |
| • Tapped-base pillow blocks | • 2 and 4 bolt flange bearings |
| • 2 and 4 bolt flange bearings | |
| • Flange brackets | |
| • Wide slot take-up bearings | |

Corrosion Resistant Inner And Outer Ring Out Performs Other 400 Series Stainless Steel Precision Hardened And Honed Inner And Outer Rings

65° Stainless Setscrews Locking

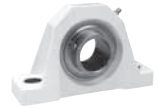
Corrosion Resistant PROGUARD Plus Seal



RESULTS OF HOUSING ANTI-MICROBIAL ACTIVITY AGAINST TEST ORGANISMS

| TEST ORGANISM | TYPE OF ORGANISM | GROWTH-FREE ZONE (MM) | CONTACT INHIBITION (%) |
|-----------------------|------------------|-----------------------|------------------------|
| Staphylococcus aureus | Bacterial | 0 | 100 |
| Aspergillus niger | Fungal | 0 | 100 |

FEATURES/BENEFITS



Polymer and Stainless Steel Housed Mounted Bearings

Bearing Quick Reference

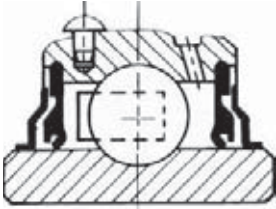
E-Z KLEEN

GRIP TIGHT Adapter Ball Bearing

Set Screw Ball Bearing

Eccentric Collar Ball Bearing

DODGE PROGUARD™ PLUS SEAL



Corrosion resistant PROGUARD Plus seal with flingers - a combination contact land-riding seal and labyrinth - keeps lubricants in, contaminants out.



D-LOK DL

PRECISION-HARDENED AND HONED INNER AND OUTER RINGS

Precision-hardened and honed inner and outer rings for wear resistance, quieter operation, and longer life.

ANTI-ROTATION PIN

Anti-rotation pin prevents rotation of the insert within the housing.

Simple and effective, it makes inserts easier to replace.

Stainless Steel Anti-Rotation Pin



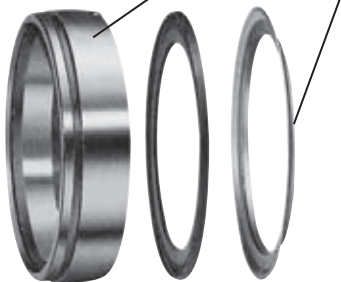
POLYMER SLEEVE

E-Z KLEEN POLYMER HOUSED BEARING WITH POLYMER SLEEVE INSERT



- Targeted for wet, cool and coldside environments/ applications
- Self-lubricating polymer sleeve insert
- All polymer and stainless-steel construction
- Features stainless-steel antirotation pin on sphere of insert
- Resist fungus and bacterial growth
- Ensures quiet operation
- Conforms to FDA/USDA specifications
- Offered in both inch and meter sizes

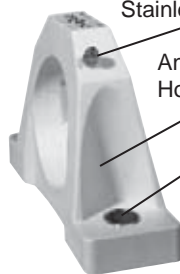
Anti-Rotation Pin Stainless Steel Flinger



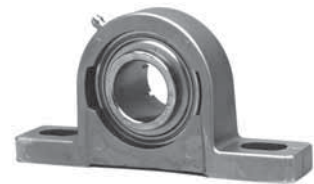
Stainless Steel Lube Fitting

Antimicrobial Polymer Housing

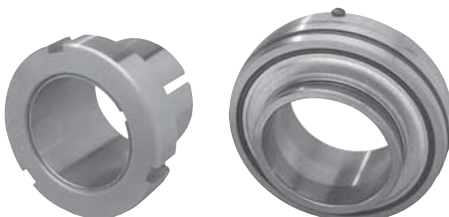
Stainless Steel Bolt Furrule



STAINLESS HOUSING



CORROSION RESISTANT PROGUARD PLUS SEAL

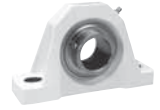


GRIP-TIGHT LOCKING SYSTEM

Full Contact on shaft for better grip, less vibration.

Setscrew locking can distort the inner ring and cause system-induced vibration. But with the DODGE GRIP-TIGHT Adapter, the adapter attaches itself to the shaft for full concentric contact - 360° through the length of the bearing.

HOW TO ORDER/ NOMENCLATURE



E-Z KLEEN Polymer and Stainless Steel Housed Mounted Bearings

HOW TO ORDER

There are two ways to specify DODGE polymer-housed ball bearings. Most of the product offerings have part numbers with listings shown throughout this brochure. Use of part numbers ensures accurate order processing.

When part numbers are not shown, the product may be specified by description or part name. This method is used when ordering units that include modifications or options. To order by description for options not covered by the nomenclature.

NOMENCLATURE

P2B - SCHUEZ - 104S = PCR

Modification Or Feature:

- CR = Corrosion resistant insert
- LL = Low torque labyrinth seal
- MOD = Modified
- NL = No Lube (sealed for life)
- P = Polymer housing
- SH = Stainless Steel Housing

Shaft Size

Inches:

First digit = Number of inches

Second & third digits = Number of sixteenths of an inch

104 = Indicates 1-4/16 or 1-1/4

S = Next smaller ring size. E.g. 1-1/4 206 would be written as 104S

L = Next larger ring size. E.g. 1/2 204 would be written as 008L

Metric:

First two digits = number of millimeters

M = Metric

Bearing Type:

SC = Wide inner ring, normal duty, 65° setscrew locking

DL = Wide inner ring, normal duty, concentric clamp collar

GT = Wide inner ring, normal duty, thin wall adapter locking

PS = Polymer Sleeve Insert

Suffixes to the above:

EZ = EZ-KLEEN (used with polymer or stainless steel housed units)

BEZ = Low backing height pillow block, EZ-KLEEN

UEZ = higher back pillow block, EZ-KLEEN (for interchangeability with competitive pillow blocks)

Housing:

F2B = 2 bolt flange

F4B = 4 bolt flange

FB = Flanged bracket

INS = Insert

P2B = Pillow block, 2 bolt base

TB = Tapped base pillow block

WSTU = Wide slot take-up

Bearing Quick Reference

E-Z KLEEN

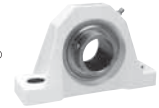
GRIP TIGHT Adapter Ball Bearing

Set Screw Ball Bearing

Eccentric Collar Ball Bearing

| | | | |
|--------------------------------|------------------------------------|---------------------------|---------------------------|
| FEATURES/BENEFITS PAGE B1-2 | SELECTION/DIMENSIONS PAGE B1-14 | INTERCHANGE PAGE B1-88 | ACCESSORIES PAGE B1-90 |
|--------------------------------|------------------------------------|---------------------------|---------------------------|

EASY SELECTION



Selection of DODGE E-Z KLEEN Polymer and Stainless Steel Housed Ball Bearings

DODGE E-Z KLEEN ball bearings are primarily designed for radial loading. However, they have the capacity to carry thrust loads and combined radial/thrust loads. The maximum recommended load which can be applied is limited by various components in the system, such as bearing, housing, shaft attachments, speed and life requirements as listed in this catalog and the instruction manual that accompanies each bearing. DODGE E-Z KLEEN ball bearings have been applied successfully when these limits have been exceeded under controlled operating conditions. Contact DODGE Engineering, 864-281-2195, for applications which exceed these recommendations.

Select a bearing from the Selection table that has a radial load rating at the operating speed equal to or greater than the calculated Equivalent Radial Load for a desired L_{10} life. (Table 2 for English shaft sizes and Table 3 for metric shaft sizes) This simple method is all that is required for the majority of general applications and provides for occasional average shock loads.

L10 Hours Life-is the life which may be expected for at least 90% of a given group of bearings operating under identical conditions.

Heavy Service-For heavy shock loads, frequent shock loads or severe vibrations, add up to 50% (according to severity of conditions) to the Equivalent Radial Load to obtain a Modified Equivalent Radial Load. Consult Application Engineering for additional selection assistance.

A maximum thrust load value of C/10 is recommended as a guide for general applications and will give adequate L_{10} life. If the thrust load exceeds this limit, it is advisable to use auxiliary thrust carrying devices, such as a shaft shoulder, snap ring, or a thrust collar. Where substantial radial load pulls the housing away from the mounting base, both the hold-down bolts and housing must be of adequate strength. Auxiliary load carrying devices, such as shear bars, are advisable for side or end-loading of pillow blocks and radial loads for flange units.

To determine the L_{10} hours life for loads and RPM's not listed use the following equation:

$$L_{10} = \left(\frac{C}{P}\right)^3 \times \frac{16667}{\text{RPM}}$$

Where:

L_{10} = Life, hours

C = Dynamic Capacity, lbs. or N

P = Equivalent Radial Load, lbs. or N

RPM = Revolution per minute

When the load on a ball bearing is solely a radial load with no thrust (axial) load, the Equivalent Radial Load (P) is equal to the actual radial load. However, when a thrust (axial) load is applied, the radial and thrust loads applied must be converted into an Equivalent Radial Load. The use of the X (radial factor) and Y (thrust factor) from Table 1 convert the actual applied thrust and radial loads to an Equivalent Radial Load which has the same effect on the life of a bearing as a radial load of this magnitude.

$$P = (X \times F_R) + (Y \times F_A)$$

Where:

P = Equivalent Radial Load, lbs.

F_R = Radial load, lbs.

F_A = Thrust load, lbs.

e = Thrust load to radial load factor (Table 1)

X = Radial load factor (Table 1)

Y = Thrust Factor (Table 1)

C_0 = Basic static capacity (Table 2 or 3)

To find X and Y, first calculate F_A/C_0 to determine e. Calculate F_A/F_R and compare to e to determine the X and Y factors to use from Table 1.

Substitute all known values into the Equivalent Radial Load equation. The Equivalent Radial loads (P) thus determined can be used in the L_{10} life formula or compared to the allowable Equivalent Radial Load rating desired in the expanded rating chart to select a bearing (Table 2).

If calculated value of P is less than F_R , use $P=F_R$.

Table 1

| F_A/C_0 | e | Radial/Thrust Factors | | | |
|-----------|-----|---|---|--------------------------------|------|
| | | If F_A/F_R is equal to or less than e | | If F_A/F_R is greater than e | |
| | | $F_A/F_R \leq e$ | | $F_A/F_R > e$ | |
| | | X | Y | X | Y |
| .014 | .19 | 1 | 0 | 0.56 | 2.30 |
| .021 | .21 | 1 | 0 | 0.56 | 2.15 |
| .028 | .22 | 1 | 0 | 0.56 | 1.99 |
| .042 | .24 | 1 | 0 | 0.56 | 1.85 |
| .056 | .26 | 1 | 0 | 0.56 | 1.71 |
| .070 | .27 | 1 | 0 | 0.56 | 1.63 |
| .084 | .28 | 1 | 0 | 0.56 | 1.55 |
| .110 | .30 | 1 | 0 | 0.56 | 1.45 |
| .170 | .34 | 1 | 0 | 0.56 | 1.31 |
| .280 | .38 | 1 | 0 | 0.56 | 1.15 |
| .420 | .42 | 1 | 0 | 0.56 | 1.04 |
| .560 | .44 | 1 | 0 | 0.56 | 1.00 |

Lubrication- DODGE Ball Bearings are lubricated at the factory and are ready to run. The bearings are initially lubricated with an aluminum complex based, H1 Food Grade grease and should be relubricated with the same or some equivalent. For high speeds, high loads, extreme temperatures and other abnormal operating conditions, special greases may be required. Contact DODGE Application Engineering for recommendations on these types of applications.

Misalignment - DODGE Ball Bearings are designed to allow a maximum of 2° static misalignment. These bearings are not suitable for dynamic misalignment. To ensure good alignment, mounting surfaces must be checked for flatness and must lie in the same plane. When tightening base bolts, each bolt should be alternately tightening in incremental torque values until full torque is achieved to prevent the angular shifting of the pillow block that occurs when one bolt is tightened to its full torque. Shimming may be required to minimize misalignment.

| Shaft Tolerances | | |
|--------------------------|---|--|
| Normal Shaft Size Inches | Recommended Shaft Tolerances SC & D-LOK Products (Inches) | Recommended Shaft Tolerances GRIP TIGHT Ball Bearings Inches |
| Up to 1-1/2" | +0.000 - .0005 | +0.000 -0.002 |
| Over 1-1/2 to 2" | +0.000 -.0010 | +0.000 -.0.003 |

| | | | |
|--------------------------------|--------------------------|---------------------------|---------------------------|
| FEATURES/BENEFITS PAGE B1-2 | DIMENSIONS PAGE B1-14 | INTERCHANGE PAGE B1-88 | ACCESSORIES PAGE B1-90 |
|--------------------------------|--------------------------|---------------------------|---------------------------|

EASY SELECTION

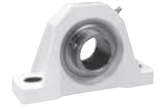


Table 2 - Easy Selection For Polymer And Stainless Steel Housed E-Z KLEEN Ball Bearing Mounted Bearings - Inch

| RING SIZE | SHAFT SIZE | DYNAMIC CAPACITY C, lbs. | STATIC CAPACITY CO, LBS | L10 LIFE HOURS | ALLOWABLE EQUIVALENT RADIAL LOAD RATINGS (lbs) AT VARIOUS RPM* | | | | | | | | | | | | | | | | | | |
|-----------|---------------------------|--------------------------|-------------------------|----------------|--|------|------|-----|-----|------|------|------|------|------|------|------|------|------|------|------|------|-------|-------|
| | | | | | 50 | 150 | 250 | 500 | 750 | 1000 | 1500 | 1750 | 2000 | 2500 | 3000 | 3500 | 4500 | 5000 | 5500 | 7500 | 9500 | 11000 | 12000 |
| 204 | 3/4 | 2899 | 1390 | 20000 | 740 | 515 | 435 | 345 | 300 | 275 | 240 | 225 | 215 | 200 | 190 | 180 | 165 | 160 | 155 | 140 | 129 | 123 | 119 |
| | | | | 30000 | 645 | 450 | 380 | 300 | 260 | 240 | 210 | 200 | 190 | 175 | 165 | 155 | 145 | 140 | 135 | 120 | 113 | 107 | 104 |
| | | | | 40000 | 590 | 410 | 345 | 275 | 240 | 215 | 190 | 180 | 170 | 160 | 150 | 145 | 130 | 125 | 125 | 110 | 102 | 97 | 95 |
| | | | | 60000 | 515 | 355 | 300 | 240 | 210 | 190 | 165 | 155 | 150 | 140 | 130 | 125 | 115 | 110 | 105 | 95 | 89 | 85 | 83 |
| | | | | 100000 | 435 | 300 | 255 | 200 | 175 | 160 | 140 | 130 | 125 | 115 | 110 | 105 | 190 | 95 | 90 | 80 | 75 | 72 | 70 |
| 205 | 7/8 15/16 1 | 3146 | 1565 | 20000 | 805 | 560 | 470 | 375 | 325 | 295 | 260 | 245 | 235 | 220 | 205 | 195 | 180 | 175 | 170 | 150 | 140 | 133 | 129 |
| | | | | 30000 | 705 | 485 | 410 | 325 | 285 | 260 | 225 | 215 | 205 | 190 | 180 | 170 | 155 | 150 | 145 | 130 | 122 | 116 | 113 |
| | | | | 40000 | 640 | 445 | 375 | 295 | 260 | 235 | 205 | 195 | 185 | 175 | 165 | 155 | 140 | 135 | 135 | 120 | 111 | 106 | 103 |
| | | | | 60000 | 560 | 385 | 325 | 260 | 225 | 205 | 180 | 170 | 165 | 150 | 140 | 135 | 125 | 120 | 115 | 105 | 97 | 92 | 90 |
| | | | | 100000 | 470 | 325 | 275 | 220 | 190 | 175 | 150 | 145 | 135 | 125 | 120 | 115 | 195 | 100 | 100 | 90 | 82 | 78 | 76 |
| 206 | 1-1/8 1-3/16 1-1/4 | 4368 | 2250 | 20000 | 1115 | 775 | 655 | 520 | 455 | 410 | 360 | 340 | 325 | 305 | 285 | 270 | 250 | 240 | 235 | 210 | 194 | 185 | |
| | | | | 30000 | 975 | 675 | 570 | 455 | 395 | 360 | 315 | 300 | 285 | 265 | 250 | 235 | 220 | 210 | 205 | 183 | 170 | 161 | |
| | | | | 40000 | 885 | 615 | 520 | 410 | 360 | 325 | 285 | 270 | 260 | 240 | 225 | 215 | 200 | 190 | 185 | 167 | 154 | 147 | |
| | | | | 60000 | 775 | 535 | 455 | 360 | 315 | 285 | 250 | 235 | 225 | 210 | 200 | 190 | 175 | 165 | 160 | 146 | 135 | 128 | |
| | | | | 100000 | 655 | 455 | 380 | 305 | 265 | 240 | 210 | 200 | 190 | 175 | 165 | 160 | 145 | 140 | 135 | 123 | 113 | 108 | |
| 207 | 1-1/4 1-3/8 1-7/16 | 5759 | 3065 | 20000 | 1475 | 1020 | 860 | 685 | 595 | 545 | 475 | 450 | 430 | 400 | 375 | 355 | 330 | 315 | 305 | 279 | 256 | | |
| | | | | 30000 | 1285 | 890 | 755 | 595 | 520 | 475 | 415 | 395 | 375 | 350 | 330 | 310 | 285 | 275 | 270 | 242 | 224 | | |
| | | | | 40000 | 1170 | 810 | 685 | 545 | 475 | 430 | 375 | 355 | 340 | 315 | 300 | 285 | 260 | 250 | 245 | 220 | 203 | | |
| | | | | 60000 | 1020 | 710 | 595 | 475 | 415 | 375 | 330 | 310 | 300 | 275 | 260 | 250 | 230 | 220 | 215 | 192 | 177 | | |
| | | | | 100000 | 860 | 595 | 505 | 400 | 350 | 315 | 275 | 265 | 250 | 235 | 220 | 210 | 190 | 185 | 180 | 162 | 150 | | |
| 208 | 1-1/2 | 7332 | 4005 | 20000 | 1875 | 1300 | 1095 | 870 | 760 | 690 | 605 | 575 | 550 | 510 | 480 | 455 | 420 | 405 | 392 | 352 | | | |
| | | | | 30000 | 1640 | 1135 | 960 | 760 | 665 | 605 | 525 | 500 | 480 | 445 | 420 | 400 | 365 | 355 | 342 | 308 | | | |
| | | | | 40000 | 1490 | 1030 | 870 | 690 | 605 | 550 | 480 | 455 | 435 | 405 | 380 | 360 | 330 | 320 | 310 | 280 | | | |
| | | | | 60000 | 1300 | 900 | 760 | 605 | 525 | 480 | 420 | 400 | 380 | 355 | 330 | 315 | 290 | 280 | 270 | 244 | | | |
| | | | | 100000 | 1095 | 760 | 640 | 510 | 445 | 405 | 355 | 335 | 320 | 300 | 280 | 265 | 245 | 235 | 229 | 206 | | | |
| 209 | 1-5/8 1-11/16 1-3/4 | 7891 | 4450 | 20000 | 2020 | 1400 | 1180 | 935 | 820 | 745 | 650 | 615 | 590 | 550 | 515 | 490 | 450 | 435 | 420 | 379 | | | |
| | | | | 30000 | 1765 | 1225 | 1030 | 820 | 715 | 650 | 570 | 540 | 515 | 480 | 450 | 430 | 395 | 380 | 367 | 331 | | | |
| | | | | 40000 | 1600 | 1110 | 935 | 745 | 650 | 590 | 515 | 490 | 470 | 435 | 410 | 390 | 360 | 345 | 334 | 301 | | | |
| | | | | 60000 | 1400 | 970 | 820 | 650 | 570 | 515 | 450 | 430 | 410 | 380 | 360 | 340 | 310 | 300 | 292 | 263 | | | |
| | | | | 100000 | 1180 | 820 | 690 | 550 | 480 | 435 | 380 | 360 | 345 | 320 | 300 | 285 | 265 | 255 | 247 | 222 | | | |
| 210 | 1-15/16 2 | 7891 | 4450 | 20000 | 2020 | 1400 | 1180 | 935 | 820 | 745 | 650 | 615 | 590 | 550 | 515 | 490 | 450 | 434 | 420 | | | | |
| | | | | 30000 | 1765 | 1225 | 1030 | 820 | 715 | 650 | 570 | 540 | 515 | 480 | 450 | 430 | 395 | 379 | 367 | | | | |
| | | | | 40000 | 1600 | 1110 | 935 | 745 | 650 | 590 | 515 | 490 | 470 | 435 | 410 | 390 | 360 | 345 | 334 | | | | |
| | | | | 60000 | 1400 | 970 | 820 | 650 | 570 | 515 | 450 | 430 | 410 | 380 | 360 | 340 | 310 | 301 | 292 | | | | |
| | | | | 100000 | 1180 | 820 | 690 | 550 | 480 | 435 | 380 | 360 | 345 | 320 | 300 | 285 | 265 | 254 | 247 | | | | |

* SLIGHT INTERFERENCE FIT REQUIRED WHEN OPERATING TO THE RIGHT OF THE HEAVY LINE OR IN THE SHADED AREA. FOR SC PRODUCT ONLY, OR USE D-LOK OR GT PRODUCTS

Note: Because the allowable loads - especially at low speeds - are extremely high, be sure the shaft strength is adequate and the pillow blocks are base loaded. When imposed load is horizontal, be sure hold-down bolts are adequate. If bearings are cap loaded, full details on load, speed, and shaft size should be referred to DODGE Application Engineering.

Use GT with labyrinth seals when operating right of heavy line

| | | | |
|--------------------------------|--------------------------|---------------------------|---------------------------|
| FEATURES/BENEFITS PAGE B1-2 | DIMENSIONS PAGE B1-14 | INTERCHANGE PAGE B1-88 | ACCESSORIES PAGE B1-90 |
|--------------------------------|--------------------------|---------------------------|---------------------------|

EASY SELECTION



Table 3 - Easy Selection For Polymer And Stainless Steel Housed E-Z KLEEN Ball Bearing Mounted Bearings - Metric

| RING SIZE | SHAFT SIZE | DYNAMIC CAPACITY C, N | STATIC CAPACITY CO, N | L10 LIFE HOURS | ALLOWABLE EQUIVALENT RADIAL LOAD RATINGS (N) AT VARIOUS RPM* | | | | | | | | | | | | | | | | | | | | |
|-----------|------------|-----------------------|-----------------------|----------------|--|------|------|------|------|------|------|------|------|------|------|------|------|------|------|------|------|-------|-------|-----|--|
| | | | | | 50 | 150 | 250 | 500 | 750 | 1000 | 1500 | 1750 | 2000 | 2500 | 3000 | 3500 | 4500 | 5000 | 5500 | 7500 | 9500 | 11000 | 12000 | | |
| 204 | 20mm | 12895 | 6183 | 20000 | 3292 | 2291 | 1935 | 1535 | 1334 | 1223 | 1068 | 1001 | 956 | 890 | 845 | 801 | 734 | 712 | 689 | 623 | 574 | 547 | 529 | | |
| | | | | 30000 | 2869 | 2002 | 1690 | 1334 | 1156 | 1068 | 934 | 890 | 845 | 778 | 734 | 689 | 645 | 623 | 600 | 534 | 503 | 476 | 463 | | |
| | | | | 40000 | 2624 | 1824 | 1535 | 1223 | 1068 | 956 | 845 | 801 | 756 | 712 | 667 | 645 | 578 | 556 | 556 | 489 | 454 | 431 | 423 | | |
| | | | | 60000 | 2291 | 1579 | 1334 | 1068 | 934 | 845 | 734 | 689 | 667 | 623 | 578 | 556 | 512 | 489 | 467 | 400 | 356 | 334 | 320 | 311 | |
| | | | | 100000 | 1935 | 1334 | 1134 | 890 | 778 | 712 | 623 | 578 | 556 | 512 | 489 | 467 | 400 | 356 | 334 | 320 | 311 | | | | |
| 205 | 25mm | 13993 | 6961 | 20000 | 3581 | 2491 | 2091 | 1668 | 1446 | 1312 | 1156 | 1090 | 1045 | 979 | 912 | 867 | 801 | 778 | 756 | 667 | 622 | 592 | 574 | | |
| | | | | 30000 | 3136 | 2157 | 1824 | 1446 | 1268 | 1156 | 1001 | 956 | 912 | 845 | 801 | 756 | 689 | 667 | 645 | 578 | 542 | 516 | 503 | | |
| | | | | 40000 | 2847 | 1979 | 1668 | 1312 | 1156 | 1045 | 912 | 867 | 823 | 778 | 734 | 689 | 623 | 600 | 600 | 534 | 494 | 472 | 458 | | |
| | | | | 60000 | 2491 | 1712 | 1446 | 1156 | 1001 | 912 | 801 | 756 | 734 | 667 | 623 | 600 | 556 | 534 | 512 | 467 | 431 | 409 | 400 | | |
| | | | | 100000 | 2091 | 1446 | 1223 | 979 | 845 | 778 | 667 | 645 | 600 | 556 | 534 | 512 | 467 | 445 | 445 | 400 | 365 | 347 | 338 | | |
| 206 | 30mm | 19429 | 10008 | 20000 | 4960 | 3447 | 2913 | 2313 | 2024 | 1824 | 1601 | 1512 | 1446 | 1357 | 1268 | 1201 | 1112 | 1068 | 1045 | 934 | 862 | 823 | | | |
| | | | | 30000 | 4337 | 3002 | 2535 | 2024 | 1757 | 1601 | 1401 | 1334 | 1268 | 1179 | 1112 | 1045 | 979 | 934 | 912 | 814 | 756 | 716 | | | |
| | | | | 40000 | 3936 | 2736 | 2313 | 1824 | 1601 | 1446 | 1268 | 1201 | 1156 | 1068 | 1001 | 956 | 890 | 845 | 823 | 743 | 685 | 654 | | | |
| | | | | 60000 | 3447 | 2380 | 2024 | 1601 | 1401 | 1268 | 1112 | 1045 | 1001 | 934 | 890 | 845 | 778 | 734 | 712 | 649 | 600 | 569 | | | |
| | | | | 100000 | 2913 | 2024 | 1690 | 1357 | 1179 | 1068 | 934 | 890 | 845 | 778 | 734 | 712 | 645 | 623 | 600 | 547 | 503 | 480 | | | |
| 207 | 35mm | 25616 | 13633 | 20000 | 6561 | 4537 | 3825 | 3047 | 2647 | 2424 | 2113 | 2002 | 1913 | 1779 | 1668 | 1579 | 1468 | 1401 | 1357 | 1232 | 1139 | | | | |
| | | | | 30000 | 5716 | 3959 | 3358 | 2647 | 2313 | 2113 | 1846 | 1757 | 1668 | 1557 | 1468 | 1379 | 1268 | 1223 | 1201 | 1076 | 996 | | | | |
| | | | | 40000 | 5204 | 3603 | 3047 | 2424 | 2113 | 1913 | 1668 | 1579 | 1512 | 1401 | 1334 | 1268 | 1156 | 1112 | 1090 | 978 | 903 | | | | |
| | | | | 60000 | 4537 | 3158 | 2647 | 2113 | 1846 | 1668 | 1468 | 1379 | 1334 | 1223 | 1156 | 1112 | 1023 | 979 | 956 | 854 | 787 | | | | |
| | | | | 100000 | 3825 | 2647 | 2246 | 1779 | 1557 | 1401 | 1223 | 1179 | 1112 | 1045 | 979 | 934 | 845 | 823 | 801 | 720 | 667 | | | | |
| 208 | 40mm | 32613 | 17814 | 20000 | 8340 | 5782 | 4871 | 3870 | 3380 | 3069 | 2691 | 2558 | 2446 | 2268 | 2135 | 2024 | 1868 | 1801 | 1744 | 1565 | | | | | |
| | | | | 30000 | 7295 | 5048 | 4270 | 3380 | 2958 | 2691 | 2335 | 2224 | 2135 | 1979 | 1868 | 1779 | 1624 | 1579 | 1521 | 1370 | | | | | |
| | | | | 40000 | 6628 | 4581 | 3870 | 3069 | 2691 | 2446 | 2135 | 2024 | 1935 | 1801 | 1690 | 1601 | 1468 | 1423 | 1378 | 1245 | | | | | |
| | | | | 60000 | 5782 | 4003 | 3380 | 2691 | 2335 | 2135 | 1868 | 1779 | 1690 | 1579 | 1468 | 1401 | 1290 | 1245 | 1201 | 1085 | | | | | |
| | | | | 100000 | 4871 | 3380 | 2847 | 2268 | 1979 | 1801 | 1579 | 1490 | 1423 | 1334 | 1245 | 1179 | 1090 | 1045 | 1018 | 916 | | | | | |
| 209 | 45mm | 35099 | 19794 | 20000 | 8985 | 6227 | 5249 | 4159 | 3647 | 3314 | 2891 | 2736 | 2624 | 2446 | 2291 | 2180 | 2002 | 1935 | 1868 | 1686 | | | | | |
| | | | | 30000 | 7851 | 5449 | 4581 | 3647 | 3180 | 2891 | 2535 | 2402 | 2291 | 2135 | 2002 | 1913 | 1757 | 1690 | 1632 | 1472 | | | | | |
| | | | | 40000 | 7117 | 4937 | 4159 | 3314 | 2891 | 2624 | 2291 | 2180 | 2091 | 1935 | 1824 | 1735 | 1601 | 1535 | 1486 | 1339 | | | | | |
| | | | | 60000 | 6227 | 4315 | 3647 | 2891 | 2535 | 2291 | 2002 | 1913 | 1824 | 1690 | 1601 | 1512 | 1379 | 1334 | 1299 | 1170 | | | | | |
| | | | | 100000 | 5249 | 3647 | 3169 | 2446 | 2135 | 1935 | 1690 | 1601 | 1535 | 1423 | 1334 | 1268 | 1179 | 1134 | 1099 | 988 | | | | | |
| 210 | 50mm | 35099 | 19794 | 20000 | 8985 | 6227 | 5249 | 4159 | 3647 | 3314 | 2891 | 2736 | 2624 | 2446 | 2291 | 2180 | 2002 | 1931 | 1868 | | | | | | |
| | | | | 30000 | 7851 | 5449 | 4581 | 3647 | 3180 | 2891 | 2535 | 2402 | 2291 | 2135 | 2002 | 1913 | 1757 | 1686 | 1632 | | | | | | |
| | | | | 40000 | 7117 | 4937 | 4159 | 3314 | 2891 | 2624 | 2291 | 2180 | 2091 | 1935 | 1824 | 1735 | 1601 | 1535 | 1486 | | | | | | |
| | | | | 60000 | 6227 | 4315 | 3647 | 2891 | 2535 | 2291 | 2002 | 1913 | 1824 | 1690 | 1601 | 1512 | 1379 | 1339 | 1299 | | | | | | |
| | | | | 100000 | 5249 | 3647 | 3069 | 2446 | 2135 | 1935 | 1690 | 1601 | 1535 | 1423 | 1334 | 1268 | 1179 | 1130 | 1099 | | | | | | |

*SLIGHT INTERFERENCE FIT REQUIRED WHEN OPERATING TO THE RIGHT OF THE HEAVY LINE OR IN THE SHADED AREA. FOR SC PRODUCT ONLY, OR USE D-LOK OR GT PRODUCTS

Note: Because the allowable loads - especially at low speeds - are extremely high, be sure the shaft strength is adequate and the pillow blocks are base loaded. When imposed load is horizontal, be sure hold-down bolts are adequate. If bearings are cap loaded, full details on load, speed, and shaft size should be referred to DODGE Application Engineering.

Use GT with labyrinth seals when operating right of heavy line

| | | | |
|--------------------------------|--------------------------|---------------------------|---------------------------|
| FEATURES/BENEFITS PAGE B1-2 | DIMENSIONS PAGE B1-14 | INTERCHANGE PAGE B1-88 | ACCESSORIES PAGE B1-90 |
|--------------------------------|--------------------------|---------------------------|---------------------------|

EASY SELECTION



Table 4 - Easy Selection For E-Z KLEEN Polymer-Housed Sleeve Bearing Mounted Units - Inch

RADIAL LOAD RATINGS (LBS) AT VARIOUS REVOLUTIONS PER MINUTE (RPM)

| Series | Shaft Size | Up To 10 | 25 | 50 | 75 | 100 | 150 | 200 | 250 |
|--------|------------------|----------|------|-----|-----|-----|-----|-----|-----|
| 204 | 3/4 | 450 | 400 | 375 | 300 | 230 | 175 | 110 | 90 |
| 205 | 1 | 600 | 550 | 450 | 215 | 235 | 175 | 110 | 90 |
| 206 | 1-3/16 1-1/4 | 900 | 800 | 500 | 325 | 250 | 175 | 110 | 90 |
| 207 | 1-1/4 1-7/16 | 1000 | 900 | 600 | 400 | 300 | 175 | 120 | 95 |
| 208 | 1-1/2 | 1400 | 1200 | 700 | 430 | 320 | 180 | 125 | 95 |
| 209 | 1-11/16 1-3/4 | 1600 | 1400 | 725 | 435 | 335 | 180 | 125 | 95 |
| 210 | 1-15/16 | 1800 | 1600 | 750 | 450 | 350 | 185 | 130 | 100 |

RADIAL LOAD RATINGS (LBS) AT VARIOUS REVOLUTIONS PER MINUTE (RPM)

| Series | Shaft Size | 300 | 350 | 400 | 450 | 500 | 550 | 600 | 650 |
|--------|------------------|-----|-----|-----|-----|-----|-----|-----|-----|
| 204 | 3/4 | 60 | 50 | 45 | 40 | 35 | 25 | 20 | 15 |
| 205 | 1 | 60 | 50 | 45 | 40 | 35 | 25 | 20 | 15 |
| 206 | 1-3/16 1-1/4 | 65 | 60 | 50 | 40 | 35 | 30 | 25 | 20 |
| 207 | 1-1/4 1-7/16 | 70 | 65 | 55 | 45 | 40 | 35 | 30 | |
| 208 | 1-1/2 | 70 | 65 | 55 | 45 | 40 | 35 | | |
| 209 | 1-11/16 1-3/4 | 70 | 65 | 55 | 45 | 40 | | | |
| 210 | 1-15/16 | 80 | 70 | 60 | 50 | 45 | | | |

Continuous operating temperature: -40 to 180° F

FEATURES/BENEFITS
PAGE B1-2

DIMENSIONS
PAGE B1-14

INTERCHANGE
PAGE B1-88

ACCESSORIES
PAGE B1-90

EASY SELECTION



Table 5 - Easy Selection For E-Z KLEEN Polymer-Housed Sleeve Bearing Mounted Units - Metric

RADIAL LOAD RATINGS (NEWTONS) AT VARIOUS REVOLUTIONS PER MINUTE (RPM)

| Series | Shaft Size | Up To 10 | 25 | 50 | 75 | 100 | 150 | 200 | 250 |
|--------|------------|----------|------|------|------|------|------|-----|-----|
| 204 | 20 | 2000 | 1775 | 1665 | 1330 | 1020 | 775 | 485 | 400 |
| 205 | 25 | 2665 | 2445 | 2000 | 1400 | 1045 | 775 | 485 | 400 |
| 206 | 30 | 4000 | 3555 | 2220 | 1445 | 1110 | 775 | 485 | 400 |
| 207 | 35 | 4445 | 4000 | 2665 | 1775 | 1330 | 775 | 530 | 420 |
| 208 | 40 | 6225 | 5335 | 3110 | 1910 | 1420 | 8000 | 555 | 420 |
| 209 | 45 | 7115 | 6225 | 3220 | 1930 | 1490 | 8000 | 555 | 420 |
| 210 | 50 | 8005 | 7115 | 3335 | 2000 | 1555 | 820 | 575 | 440 |

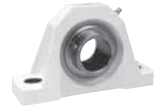
RADIAL LOAD RATINGS (NEWTONS) AT VARIOUS REVOLUTIONS PER MINUTE (RPM)

| Series | Shaft Size | 300 | 350 | 400 | 450 | 500 | 550 | 600 | 650 |
|--------|------------|-----|-----|-----|-----|-----|-----|-----|-----|
| 204 | 20 | 265 | 220 | 200 | 175 | 155 | 110 | 85 | 65 |
| 205 | 25 | 265 | 220 | 200 | 175 | 155 | 110 | 85 | 65 |
| 206 | 30 | 285 | 265 | 220 | 175 | 155 | 130 | 110 | 85 |
| 207 | 35 | 310 | 285 | 240 | 200 | 175 | 155 | 130 | |
| 208 | 40 | 310 | 285 | 240 | 200 | 175 | 155 | | |
| 209 | 45 | 310 | 285 | 240 | 200 | 175 | | | |
| 210 | 50 | 355 | 310 | 265 | 220 | 200 | | | |

Continuous operating temperature: -40 to 82° C

| | | | |
|--------------------------------|--------------------------|---------------------------|---------------------------|
| FEATURES/BENEFITS PAGE B1-2 | DIMENSIONS PAGE B1-14 | INTERCHANGE PAGE B1-88 | ACCESSORIES PAGE B1-90 |
|--------------------------------|--------------------------|---------------------------|---------------------------|

EASY SELECTION



E-Z KLEEN POLYMER HOUSINGS

General Resistance to Chemical Groups at Room Temperature (20°C/68°F)

| Chemical Group | Condition Or Subgroup | Resistance |
|------------------------------------|-----------------------|------------|
| Inorganic Acids (non-oxidizing) | concentrated | - |
| | diluted (1:1) | +1.00 |
| | highly diluted | +1.00 |
| Inorganic Acids (oxidizing) | concentrated | - |
| | diluted (1:1) | - |
| | highly diluted | + |
| Organic Acids | concentrated | = |
| | diluted (1:1) | + |
| | highly diluted | + |
| Bases | concentrated | - |
| | diluted (1:1) | - |
| | highly diluted | = |
| Salt Solutions | acidic | + |
| | neutral | + |
| | basic | = |
| Aliphatic Hydrocarbons | | + |
| | oils and greases | + |
| Aromatic Hydrocarbons | | = |
| | phenols | - |
| Halogenated Hydrocarbons | perhalogenated | + |
| | partially halogenated | - |
| Alcohols | monovalent | + |
| | polyvalent | = |
| Ketones | | = |
| Esters | | = |
| Ethers | | + |

(1) except hydrofluoric acid

(+) excellent resistance (=) good-fair resistance (-) fair-poor resistance (blank) no data available

FEATURES/BENEFITS
PAGE B1-2

DIMENSIONS
PAGE B1-14

INTERCHANGE
PAGE B1-88

ACCESSORIES
PAGE B1-90

EASY SELECTION

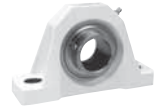


CHEMICAL RESISTANCE CHART

| Chemical Agent | Solution Conc. | @ 23°C (73°F) | | @ 60°C (140°F) | | @ 80°C (175°F) |
|--|----------------|-----------------|----------------|-----------------|----------------|-----------------|
| | | Polymer Housing | Polymer Insert | Polymer Housing | Polymer Insert | Polymer Housing |
| A | | | | | | |
| Acetic Acid | 5% | + | + | = | | = |
| Acetic Acid | 10% | + | | = | | = |
| Acetic Acid | 20% | = | - | = | - | = |
| Acetic Acid | 80% | = | - | = | - | = |
| Acetic Acid | 100% | = | | = | | = |
| Acetone | | = | = | | | |
| Ammonium Chloride | 10% | | + | | + | |
| Ammonium Hydroxide | 10% | = | - | | | |
| Ammonium Hydroxide | conc. | - | | | | |
| Aniline | | + | = | | = | |
| B | | | | | | |
| Benzene | | = | = | = | = | |
| Bleaching Lye | | + | | + | | |
| Brake Fluid | | + | + | + | + | + |
| Butane | | + | | | | |
| Butanol | | = | | = | | |
| Butyl Acetate | | + | | = | | |
| C | | | | | | |
| Calcium Chloride | 5% | + | + | + | | |
| Calcium Chloride | 10% | + | | + | | |
| Calcium Hydroxide | 10% | | + | | + | |
| Calcium Hypochlorite | | + | | + | | |
| Carbon Disulphide | | + | | | | |
| Carbon Tetrachloride | | + | + | | | |
| Castor Oil | | | + | | | |
| Chloroform | | - | | | | |
| Chromic Acid | 40% | + | | - | | - |
| Citric Acid | 10% | + | | + | | + |
| Cottonseed Oil | | + | | + | | + |
| Cresol | | - | | - | | - |
| D | | | | | | |
| Detergents | 1% | + | + | = | | - |
| Detergents | 25% | + | + | = | | - |
| Dibutyl Phthalate | | + | | + | | |
| Diesel Oil | | + | | | | |
| Dioxane | | + | = | - | = | |
| E | | | | | | |
| Ethanol | | + | = | | | |
| Ether (diethyl-) | | + | | | | |
| Ethyl Acetate | | = | = | | | |
| Ethylene Dichloride | | - | | | | |
| (+) excellent resistance (=) good-fair resistance (-) fair-poor resistance (blank) no data available | | | | | | |

| | | | |
|--------------------------------|--------------------------|---------------------------|---------------------------|
| FEATURES/BENEFITS PAGE B1-2 | DIMENSIONS PAGE B1-14 | INTERCHANGE PAGE B1-88 | ACCESSORIES PAGE B1-90 |
|--------------------------------|--------------------------|---------------------------|---------------------------|

EASY SELECTION



CHEMICAL RESISTANCE CHART

| Chemical Agent | Solution Conc. | @ 23°C (73°F) | | @ 60°C (140°F) | | @ 80°C (175°F) |
|---------------------|----------------|-----------------|----------------|-----------------|----------------|-----------------|
| | | Polymer Housing | Polymer Insert | Polymer Housing | Polymer Insert | Polymer Housing |
| F | | | | | | |
| Ferrous Chloride | 5% | | + | | | |
| Formic Acid | 5% | + | | = | | + |
| Formic Acid | 90% | = | | - | | - |
| Freon 11 | | + | | | | |
| G | | | | | | |
| Gasoline | | + | + | | | |
| Glycerol (Glycerin) | | = | | = | | |
| Glycol | | = | | = | | |
| Grease | | + | + | + | + | + |
| H | | | | | | |
| Heptane | | + | | | | |
| Hexane | | + | + | | + | |
| Hydrochloric Acid | 10% | + | - | = | - | - |
| Hydrochloric Acid | 90% | - | - | - | - | - |
| Hydrofluoric Acid | 5% | - | | - | | - |
| Hydrofluoric Acid | 50% | - | | - | | - |
| Hydrogen Peroxide | 3% | + | + | | | |
| Hydrogen Peroxide | 30% | = | + | | | |
| IJ | | | | | | |
| Isoamyle Alcohol | | | = | | = | |
| Isopropanol | | = | | = | | |
| KL | | | | | | |
| Kerosene | | + | + | | + | |
| Lithium Chloride | 43% | | + | | + | |
| M | | | | | | |
| Methanol | | + | = | | = | |
| Methylene Chloride | | - | + | - | | |
| Methyl Ethyl Ketone | | + | + | = | + | |
| Methyl Salicylate | | | + | | | |
| Mineral Oil | | + | + | + | + | + |
| Motor Oils | | + | + | + | + | + |
| N | | | | | | |
| Nitric Acid | 10% | + | - | = | - | = |
| Nitric Acid | 40% | - | - | - | - | - |
| Nitric Acid | 70% | - | - | - | - | - |
| O | | | | | | |
| Oleic Acid | 100% | + | | + | | + |
| Olive Oil | | + | + | + | + | + |
| P | | | | | | |
| Perchloroethylene | | + | = | = | = | |
| Petroleum Ether | | + | | | | |
| Phenol | | = | | - | - | - |

(+) excellent resistance (=) good-fair resistance (-) fair-poor resistance (blank) no data available

| | | | |
|--------------------------------|--------------------------|---------------------------|---------------------------|
| FEATURES/BENEFITS PAGE B1-2 | DIMENSIONS PAGE B1-14 | INTERCHANGE PAGE B1-88 | ACCESSORIES PAGE B1-90 |
|--------------------------------|--------------------------|---------------------------|---------------------------|

EASY SELECTION

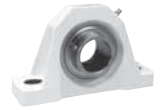


CHEMICAL RESISTANCE CHART

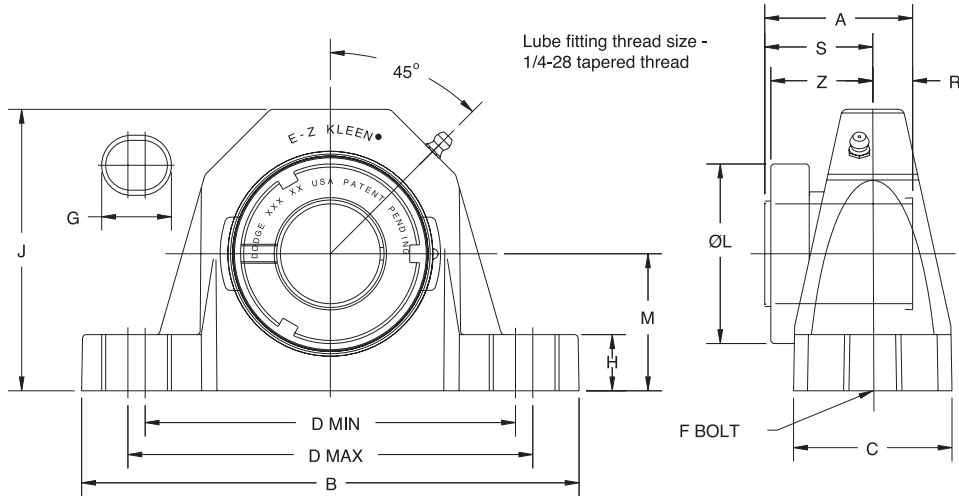
| Chemical Agent | Solution Conc. | @ 23°C (73°F) | | @ 60°C (140°F) | | @ 80°C (175°F) |
|--|----------------|------------------|----------------|-------------------|----------------|-------------------|
| | | Polymer Housing | Polymer Insert | Polymer Housing | Polymer Insert | Polymer Housing |
| P | | | | | | |
| Phosphoric Acid | 3% | + | | + | | + |
| Phosphoric Acid | 30% | + | - | + | - | + |
| Phosphoric Acid | 85% | + | - | + | - | - |
| Potassium Chloride | 10% | + | | = | | - |
| Potassium Dichromate | 10% | + | | | | |
| Potassium Hydroxide | 1% | - | | - | | - |
| Potassium Hydroxide | 10% | - | | - | | - |
| Potassium Hydroxide | 60% | - | | - | | - |
| Potassium Permanganate | 10% | + | + | | + | |
| S | | | | | | |
| Silicone Fluids | | + | | + | | + |
| Soap Solution | 1% | + | + | = | = | - |
| Sodium Bicarbonate | 10% | + | | = | | - |
| Sodium Bisulfate | 5% | | + | | | |
| Sodium Bisulfite | 5% | + | - | | | |
| Sodium Bisulfite | 10% | + | - | = | | - |
| Sodium Carbonate | 10% | + | | - | | - |
| Sodium Carbonate | 20% | + | | - | | - |
| Sodium Chloride | 10% | + | + | = | + | - |
| Sodium Hydroxide | 1% | - | | - | | - |
| Sodium Hydroxide | 10% | - | - | - | | - |
| Sodium Hydroxide | 60% | - | | - | | - |
| Sodium Hypochlorite | 5% | + | - | | | |
| Sodium Hypochlorite | 10% | + | | = | | - |
| Sulfuric Acid | 3% | + | - | + | - | + |
| Sulfuric Acid | 30% | + | - | + | - | - |
| Sulfuric Acid | 98% | - | - | - | - | - |
| T | | | | | | |
| Tetrahydrofuran | | = | | | | |
| Toulene | | + | = | | | |
| Transformer Oil | | + | + | + | + | + |
| Trichlorethylene | | = | | | | |
| Triethylamine | | | = | | = | |
| Turpentine | | + | | | | |
| V | | | | | | |
| Vaseline | | + | | + | | + |
| Vegetable Oils | | + | + | + | + | + |
| W | | | | | | |
| Water | | + | + | = | = | - |
| White Spirits | | + | | | | |
| X | | | | | | |
| Xylene | | + | | | | |
| (+) excellent resistance (-) good-fair resistance (-) fair-poor resistance (blank) no data available | | | | | | |

| | | | |
|--------------------------------|--------------------------|---------------------------|---------------------------|
| FEATURES/BENEFITS PAGE B1-2 | DIMENSIONS PAGE B1-14 | INTERCHANGE PAGE B1-88 | ACCESSORIES PAGE B1-90 |
|--------------------------------|--------------------------|---------------------------|---------------------------|

SELECTIONS/DIMENSIONS



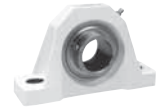
E-Z KLEEN Mounted Bearings GTEZ Normal Duty Polymer Housed Pillow Blocks



| Series | Shaft Size | Complete Unit | | Unit without Adapter | | Adapter & Nut Assembly | |
|--------------|-------------|---------------|--------------------|----------------------|------------------|------------------------|------------------|
| | | Part No. | Description | Part No. | Description | Part No. | Description |
| 204 | 3/4 20mm | 129244 | P2B-GTEZ-012-PCR | 129530 | P2B-GTEZ-04-PCR | 129967 | AN-GT-04-012-CR |
| | | 129245 | P2B-GTEZ-20M-PCR | | | 129980 | AN-GT-04-20M-CR |
| 205 | 1 25mm | 129246 | P2B-GTEZ-100-PCR | 129531 | P2B-GTEZ-05-PCR | 129968 | AN-GT-05-100-CR |
| | | 129247 | P2B-GTEZ-25M-PCR | | | 129981 | AN-GT-05-25M-CR |
| 206 (GTU) | 1-1/8 | @ | P2B-GTUEZ-102-PCR | 129536 | P2B-GTUEZ-06-PCR | 129969 | AN-GT-06-102-CR |
| | 1-3/16 | 129248 | P2B-GTUEZ-103-PCR | | | 129602 | AN-GT-06-103-CR |
| | 1-1/4 | 129249 | P2B-GTUEZ-104S-PCR | | | 129603 | AN-GT-06-104S-CR |
| | 30mm | 129250 | P2B-GTUEZ-30M-PCR | | | 129611 | AN-GT-06-30M-CR |
| 207 | 1-1/4 | 129251 | P2B-GTEZ-104-PCR | 129532 | P2B-GTEZ-07-PCR | 129972 | AN-GT-07-104-CR |
| | 1-3/8 | 129392 | P2B-GTEZ-106-PCR | | | 129973 | AN-GT-07-106-CR |
| | 1-7/16 | 129252 | P2B-GTEZ-107-PCR | | | 129974 | AN-GT-07-107-CR |
| | 35mm | 129253 | P2B-GTEZ-35M-PCR | | | 129983 | AN-GT-07-35M-CR |
| 208 (GTB) | 1-1/2 | 129254 | P2B-GTBEZ-108-PCR | 129535 | P2B-GTBEZ-08-PCR | 129606 | AN-GT-08-108-CR |
| | 40mm | 129255 | P2B-GTBEZ-40M-PCR | | | 129613 | AN-GT-08-40M-CR |
| 209 | 1-11/16 | 129256 | P2B-GTEZ-111-PCR | 129533 | P2B-GTEZ-09-PCR | 129976 | AN-GT-09-111-CR |
| | 1-3/4 | 129396 | P2B-GTEZ-112-PCR | | | 129977 | AN-GT-09-112-CR |
| | 45mm | 129257 | P2B-GTEZ-45M-PCR | | | 129985 | AN-GT-09-45M-CR |
| 210 | 1-15/16 | 129258 | P2B-GTEZ-115-PCR | 129534 | P2B-GTEZ-10-PCR | 129978 | AN-GT-10-115-CR |
| | 2 | 129393 | P2B-GTEZ-200-PCR | | | 129979 | AN-GT-10-200-CR |
| | 50mm | 129259 | P2B-GTEZ-50M-PCR | | | 129986 | AN-GT-10-50M-CR |

| | | | |
|--------------------------------|------------------------|---------------------------|---------------------------|
| FEATURES/BENEFITS PAGE B1-2 | SELECTION PAGE B1-5 | INTERCHANGE PAGE B1-88 | ACCESSORIES PAGE B1-90 |
|--------------------------------|------------------------|---------------------------|---------------------------|

SELECTION/DIMENSIONS



E-Z KLEEN Mounted Bearings GTEZ Normal Duty Polymer Housed Pillow Blocks

Bearing Quick Reference

E-Z KLEEN

GRIP TIGHT Adapter Ball Bearing

Set Screw Ball Bearing

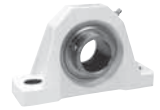
Eccentric Collar Ball Bearing

| Series | Shaft Size | Weight lbs kg | A | B | C | D | | F Bolt Dia. | G | H | J | L | M | R# | S# | Z |
|--------------|------------|---------------------|---------|---------|---------|---------|---------|-------------------|-------|-------|---------|---------|---------|-------|---------|---------|
| | | | | | | min. | max. | | | | | | | | | |
| 204 | 3/4 | 0.9 | 1-15/32 | 5-1/32 | 1-31/64 | 3-43/64 | 3-59/64 | 3/8 | 19/32 | 39/64 | 2-5/8 | 1-1/2 | 1-5/16 | 31/64 | 63/64 | 1-3/64 |
| | 20 mm | 0.4 | 37.3 | 127.8 | 37.7 | 93.3 | 99.6 | M10 | 15.1 | 15.5 | 66.7 | 38.1 | 33.3 | 12.3 | 25 | 26.6 |
| 205 | 1 | 1.1 | 1-29/64 | 5-1/2 | 1-31/64 | 3-31/32 | 4-13/64 | 3/8 | 19/32 | 39/64 | 2-55/64 | 1-51/64 | 1-7/16 | 1/2 | 61/64 | 1-1/64 |
| | 25 mm | 0.5 | 36.9 | 139.7 | 37.7 | 100.8 | 106.8 | M10 | 15.1 | 15.5 | 72.6 | 45.6 | 36.5 | 12.8 | 24.2 | 25.8 |
| 206 (GTU) | 1-1/8 | 1.8 | 1-39/64 | 6-5/16 | 1-25/32 | 4-39/64 | 4-57/64 | 1/2 | 23/32 | 45/64 | 3-11/32 | 2-5/64 | 1-11/16 | 17/32 | 1-5/64 | 1-1/8 |
| | 30 mm | 0.8 | 40.9 | 160.3 | 45.2 | 116.9 | 124.2 | M12 | 18.3 | 17.9 | 84.9 | 52.8 | 42.9 | 13.5 | 27.4 | 28.6 |
| 207 | 1-1/4 | 2.5 | 1-5/8 | 6-35/64 | 1-7/8 | 4-13/16 | 5-1/8 | 1/2 | 23/32 | 23/32 | 3-57/64 | 2-3/8 | 1-7/8 | 9/16 | 1-1/16 | 1-9/64 |
| | 1-3/8 | 2.4 | | | | | | | | | | | | | | |
| | 35 mm | 1.1 | 41.3 | 166.3 | 47.6 | 122.2 | 130.2 | M12 | 18.3 | 18.3 | 98.8 | 60.3 | 47.6 | 14.3 | 27 | 29.0 |
| 208 (GTB) | 1-1/2 | 3.0 | 1-27/32 | 7-13/64 | 2-7/64 | 5-7/64 | 5-41/64 | 1/2 | 7/8 | 49/64 | 4-11/64 | 2-5/8 | 1-15/16 | 21/32 | 1-3/16 | 1-15/64 |
| | 40 mm | 1.4 | 46.8 | 183.0 | 53.6 | 129.6 | 143.3 | M12 | 22.2 | 19.4 | 106 | 66.7 | 49.2 | 16.7 | 30.2 | 31.4 |
| 209 | 1-11/16 | 3.4 | 1-55/64 | 7-13/64 | 2-7/64 | 5-31/32 | 5-27/64 | 1/2 | 7/8 | 27/32 | 4-5/16 | 2-5/64 | 2-1/8 | 21/32 | 1-3/16 | 1-9/32 |
| | 45 mm | 1.6 | 47.2 | 183.0 | 53.6 | 137.7 | 151.6 | M12 | 22.2 | 21.4 | 109.5 | 72.6 | 54 | 16.7 | 30.2 | 32.5 |
| 210 | 1-15/16 | 4.2 | 1-55/64 | 8-1/16 | 2-23/64 | 6 | 6-9/16 | 5/8 | 1 | 59/64 | 4-9/16 | 3-1/8 | 2-1/4 | 21/32 | 1-13/64 | 1-9/32 |
| | 50 mm | 1.7 | 47.2 | 204.8 | 59.9 | 152.4 | 166.7 | M16 | 25.4 | 23.4 | 115.9 | 79.4 | 57.2 | 16.7 | 30.6 | 32.5 |

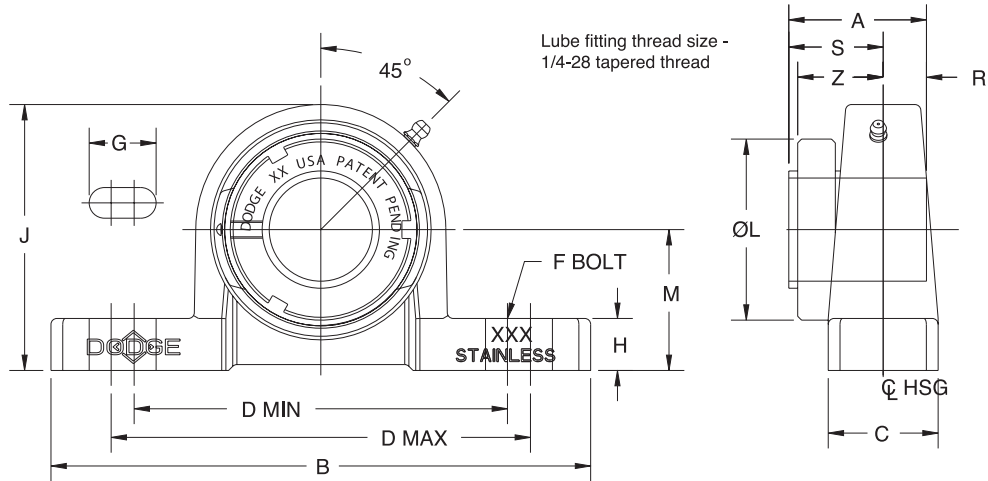
#R & S dimensions will vary slightly depending on true shaft diameter

| | | | |
|--------------------------------|------------------------|---------------------------|---------------------------|
| FEATURES/BENEFITS PAGE B1-2 | SELECTION PAGE B1-5 | INTERCHANGE PAGE B1-88 | ACCESSORIES PAGE B1-90 |
|--------------------------------|------------------------|---------------------------|---------------------------|

SELECTIONS/DIMENSIONS



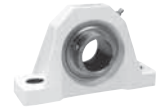
E-Z KLEEN Mounted Bearings GTEZ NORMAL DUTY STAINLESS STEEL HOUSED PILLOW BLOCKS



| Series | Shaft Size | Complete Unit | | Unit Without Adapter | | Adapter & Nut Assembly | |
|--------------|-------------|---------------|---------------------|----------------------|-------------------|------------------------|------------------|
| | | Part No. | Description | Part No. | Description | Part No. | Description |
| 204 | 3/4 20mm | 129260 | P2B-GTEZ-012-SHCR | 129559 | P2B-GTEZ-04-SHCR | 129967 | AN-GT-04-012-CR |
| | | 129261 | P2B-GTEZ-20M-SHCR | | | 129980 | AN-GT-04-20M-CR |
| 205 | 1 25mm | 129262 | P2B-GTEZ-100-SHCR | 129560 | P2B-GTEZ-05-SHCR | 129968 | AN-GT-05-100-CR |
| | | 129263 | P2B-GTEZ-25M-SHCR | | | 129981 | AN-GT-05-25M-CR |
| 206 | 1-1/8 | 064994 | P2B-GTEZ-102-SHCR | 129561 | P2B-GTEZ-06-SHCR | 129969 | AN-GT-06-102-CR |
| | 1-3/16 | 129264 | P2B-GTEZ-103-SHCR | | | 129970 | AN-GT-06-103-CR |
| | 1-1/4 | @ | P2B-GTEZ-104S-SHCR | | | 129971 | AN-GT-06-104-CR |
| | 30mm | @ | P2B-GTEZ-30M-SHCR | | | 129982 | AN-GT-06-30M-CR |
| 206 (GTU) | 1-1/8 | @ | P2B-GTUEZ-102-SHCR | 129566 | P2B-GTUEZ-06-SHCR | 129969 | AN-GT-06-102-CR |
| | 1-3/16 | 129265 | P2B-GTUEZ-103-SHCR | | | 129602 | AN-GT-06-103-CR |
| | 1-1/4 | 129266 | P2B-GTUEZ-104S-SHCR | | | 129605 | AN-GT-06-104S-CR |
| | 30mm | 129267 | P2B-GTUEZ-30M-SHCR | | | 129612 | AN-GT-06-30M-CR |
| 207 | 1-1/4 | 129268 | P2B-GTEZ-104-SHCR | 129562 | P2B-GTEZ-07-SHCR | 129972 | AN-GT-07-104-CR |
| | 1-3/8 | 067678 | P2B-GTEZ-106-SHCR | | | 129973 | AN-GT-07-106-CR |
| | 1-7/16 | 129269 | P2B-GTEZ-107-SHCR | | | 129974 | AN-GT-07-107-CR |
| | 35mm | 129270 | P2B-GTEZ-35M-SHCR | | | 129983 | AN-GT-07-35M-CR |
| 208 | 1-1/2 | 129271 | P2B-GTEZ-108-SHCR | 129563 | P2B-GTEZ-08-SHCR | 129975 | AN-GT-08-108-CR |
| | 40mm | @ | P2B-GTEZ-40M-SHCR | | | 129984 | AN-GT-08-40M-CR |
| 208 (GTB) | 1-1/2 | 129272 | P2B-GTBEZ-108-SHCR | 129565 | P2B-GTBEZ-08-SHCR | 129606 | AN-GT-08-108-CR |
| | 40mm | 129273 | P2B-GTBEZ-40M-SHCR | | | 129613 | AN-GT-08-40M-CR |
| 210 | 1-15/16 | 129274 | P2B-GTEZ-115-SHCR | 129564 | P2B-GTEZ-10-SHCR | 129978 | AN-GT-10-115-CR |
| | 2 50mm | @ | P2B-GTEZ-200-SHCR | | | 129979 | AN-GT-10-200-CR |
| | | 129275 | P2B-GTEZ-50M-SHCR | | | 129986 | AN-GT-10-50M-CR |

| | | | |
|--------------------------------|------------------------|---------------------------|---------------------------|
| FEATURES/BENEFITS PAGE B1-2 | SELECTION PAGE B1-5 | INTERCHANGE PAGE B1-88 | ACCESSORIES PAGE B1-90 |
|--------------------------------|------------------------|---------------------------|---------------------------|

SELECTION/DIMENSIONS



E-Z KLEEN Mounted Bearings GTEZ NORMAL DUTY STAINLESS STEEL HOUSED PILLOW BLOCKS

Bearing Quick Reference

E-Z KLEEN

GRIP TIGHT Adapter Ball Bearing

Set Screw Ball Bearing

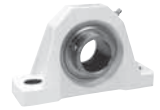
Eccentric Collar Ball Bearing

| Series | Shaft Size | Weight lbs kg | A | B | C | D | | F Bolt Dia. | G | H | J | L | M | R# | S# | Z |
|--------------|------------|---------------------|---------|-------|-------|---------|---------|-------------------|--------|-------|---------|---------|---------|-------|---------|---------|
| | | | | | | min. | max. | | | | | | | | | |
| 204 | 3/4 | 1.46 | 1-15/32 | 5 | 1 | 3-3/8 | 4-3/16 | 3/8 | 27/32 | 1/2 | 2-1/2 | 1-1/2 | 1-5/16 | 31/64 | 63/64 | 1-3/64 |
| | 20mm | 0.65 | 37.3 | 127.0 | 25.4 | 85.7 | 106.4 | M10 | 21.4 | 12.7 | 63.5 | 38.1 | 33.3 | 12.3 | 25 | 26.7 |
| 205 | 1 | 1.92 | 1-29/64 | 5-1/2 | 1-1/8 | 3-11/16 | 4-1/2 | 3/8 | 27/32 | 17/32 | 2-23/32 | 1-51/64 | 1-7/16 | 1/2 | 61/64 | 1-1/64 |
| | 25mm | 0.83 | 36.9 | 139.7 | 28.6 | 93.7 | 114.3 | M10 | 21.4 | 13.5 | 68.7 | 45.6 | 36.5 | 12.7 | 24.2 | 25.9 |
| 206 | 1-1/8 | 2.60 | 1-39/64 | 6-1/4 | 1-1/4 | 4-17/64 | 5 | 1/2 | 15/16 | 17/32 | 3-1/8 | 2-5/64 | 1-5/8 | 17/32 | 1-5/64 | 1-1/8 |
| | 1-3/16 | | | | | | | | | | | | | | | |
| | 1-1/4 | 1.18 | 40.9 | 158.8 | 31.8 | 108.3 | 127 | M12 | 23.8 | 13.5 | 79.4 | 52.8 | 41.3 | 13.5 | 27.4 | 28.7 |
| 206 (GTU) | 1-1/8 | 2.65 | 1-39/64 | 6-1/4 | 1-1/4 | 4-17/64 | 5 | 1/2 | 15/16 | 19/32 | 3-3/16 | 2-5/64 | 1-11/16 | 17/32 | 1-5/64 | 1-1/8 |
| | 1-3/16 | | | | | | | | | | | | | | | |
| | 1-1/4 | 1.18 | 40.9 | 158.8 | 31.8 | 108.3 | 127 | M12 | 23.8 | 15.1 | 81.0 | 52.8 | 42.9 | 13.5 | 27.4 | 28.7 |
| 207 | 1-1/4 | 3.83 | 1-5/8 | 6-1/2 | 1-3/8 | 4-11/16 | 5-7/16 | 1/2 | 15/16 | 9/16 | 3-5/8 | 2-3/8 | 1-7/8 | 9/16 | 1-1/16 | 1-9/64 |
| | 1-3/8 | | | | | | | | | | | | | | | |
| | 1-7/16 | 1.75 | 41.3 | 165.1 | 34.9 | 119.1 | 138.1 | M12 | 23.8 | 14.3 | 92.1 | 60.3 | 47.6 | 14.3 | 27 | 29.1 |
| 208 | 1-1/2 | 4.90 | 1-27/32 | 7 | 1-1/2 | 5-3/16 | 6 | 1/2 | 31/32 | 3/4 | 4 | 2-5/8 | 2-1/8 | 21/32 | 1-3/16 | 1-15/64 |
| | 40mm | 2.22 | 46.8 | 177.8 | 38.1 | 131.8 | 152.4 | M12 | 24.6 | 19.1 | 101.6 | 66.7 | 54 | 16.7 | 30.2 | 31.5 |
| 208 (GTB) | 1-1/2 | 4.85 | 1-27/32 | 7 | 1-1/2 | 5-3/16 | 6 | 1/2 | 31/32 | 9/16 | 3-13/16 | 2-5/8 | 1-15/16 | 21/32 | 1-3/16 | 1-15/64 |
| | 40mm | 2.22 | 46.8 | 177.8 | 38.1 | 131.8 | 152.4 | M12 | 24.6 | 14.3 | 96.8 | 66.7 | 49.2 | 16.7 | 30.2 | 31.5 |
| 210 | 1-15/16 | 6.14 | 1-55/64 | 8 | 1-5/8 | 5-49/64 | 6-11/16 | 5/8 | 1-9/64 | 5/8 | 4-5/16 | 3-1/8 | 2-1/4 | 21/32 | 1-13/64 | 1-9/32 |
| | 2 50mm | 2.62 | 47.2 | 203.2 | 41.3 | 146.4 | 169.9 | M16 | 29 | 15.9 | 109.5 | 79.4 | 57.2 | 16.7 | 30.6 | 32.6 |

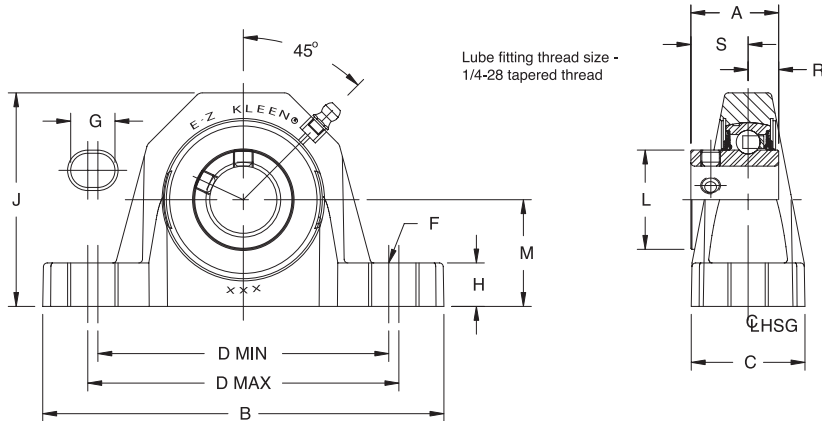
#R & S dimensions will vary slightly depending on true shaft diameter

| | | | |
|--------------------------------|------------------------|---------------------------|---------------------------|
| FEATURES/BENEFITS PAGE B1-2 | SELECTION PAGE B1-5 | INTERCHANGE PAGE B1-88 | ACCESSORIES PAGE B1-90 |
|--------------------------------|------------------------|---------------------------|---------------------------|

SELECTIONS/DIMENSIONS



E-Z KLEEN Mounted Bearings SCEZ NORMAL DUTY POLYMER HOUSED PILLOW BLOCKS



| Series | Shaft Size | With Corrosion Resistant Insert | | Standard Insert With Flingers | |
|--------|---------------|---------------------------------|--------------------------|-------------------------------|------------------------|
| | | Part No. | Description | Part No. | Description |
| 204 | 1/2 | @ | P2B-SCEZ-008L-PCR* | @ | P2B-SCEZ-008L-P |
| | 5/8 | 068322 | P2B-SCEZ-010L-PCR* | 064572 | P2B-SCEZ-010L-P |
| | 3/4 | 127500 | P2B-SCEZ-012-PCR | @ | P2B-SCEZ-012-P |
| | 20 mm | 127545 | <i>P2B-SCEZ-20M-PCR</i> | @ | <i>P2B-SCEZ-20M-P</i> |
| 205 | 7/8 | 064839 | P2B-SCEZ-014-PCR* | 062837 | P2B-SCEZ-014-P |
| | 15/16 | 058975 | P2B-SCEZ-015-PCR* | @ | P2B-SCEZ-015-P |
| | 1 | 127501 | P2B-SCEZ-100-PCR | 058597 | P2B-SCEZ-100-P |
| | 25 mm | 127546 | <i>P2B-SCEZ-25M-PCR</i> | @ | <i>P2B-SCEZ-25M-P</i> |
| 206 | 1-1/8 | @ | P2B-SCUEZ-102-PCR* | 067919 | P2B-SCUEZ-102-P |
| | 1-3/16 | 127502 | P2B-SCUEZ-103-PCR | @ | P2B-SCUEZ-103-P |
| | 1-1/4 | 127503 | P2B-SCUEZ-104S-PCR | 058596 | P2B-SCUEZ-104S-P |
| | 30 mm | 127547 | P2B-SCUEZ-30M-PCR | @ | P2B-SCUEZ-30M-P |
| 207 | 1-1/4 | 127504 | P2B-SCEZ-104-PCR | 065655 | P2B-SCEZ-104-P |
| | 1-5/16 | 059722 | P2B-SCEZ-105-PCR* | @ | P2B-SCEZ-105-P |
| | 1-3/8 | 058944 | P2B-SCEZ-106-PCR* | @ | P2B-SCEZ-106-P |
| | 1-7/16 | 127505 | P2B-SCEZ-107-PCR | 064064 | P2B-SCEZ-107-P |
| 35 mm | 127548 | <i>P2B-SCEZ-35M-PCR</i> | @ | <i>P2B-SCEZ-35M-P</i> | |
| 208 | 1-1/2 | 127506 | P2B-SCBEZ-108-PCR | @ | P2B-SCBEZ-108-P |
| | 1-5/8 | 068495 | P2B-SCBEZ-110-PCR* | @ | P2B-SCBEZ-110-P |
| | 40 mm | 127549 | <i>P2B-SCBEZ-40M-PCR</i> | @ | <i>P2B-SCBEZ-40M-P</i> |
| 209 | 1-5/8 | @ | P2B-SCBEZ-110L-PCR* | @ | P2B-SCBEZ-110L-P |
| | 1-11/16 | 127507 | P2B-SCEZ-111-PCR | 067996 | P2B-SCEZ-111-P |
| | 1-3/4 | 058931 | P2B-SCEZ-112-PCR | @ | P2B-SCEZ-112-P |
| | 45 mm | 127550 | <i>P2B-SCEZ-45M-PCR</i> | @ | <i>P2B-SCEZ-45M-P</i> |
| 210 | 1-15/16 | 127508 | P2B-SCEZ-115-PCR | 056497 | P2B-SCEZ-115-P |
| | 2 | 057898 | P2B-SCEZ-200-PCR | @ | P2B-SCEZ-200-P |
| | 50 mm | 127551 | <i>P2B-SCEZ-50M-PCR</i> | @ | <i>P2B-SCEZ-50M-P</i> |

@ Assembled to order

* 20 piece minimum

| | | | |
|--------------------------------|------------------------|---------------------------|---------------------------|
| FEATURES/BENEFITS PAGE B1-2 | SELECTION PAGE B1-5 | INTERCHANGE PAGE B1-88 | ACCESSORIES PAGE B1-90 |
|--------------------------------|------------------------|---------------------------|---------------------------|

SELECTION/DIMENSIONS

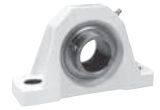


E-Z KLEEN Mounted Bearings SCEZ NORMAL DUTY POLYMER HOUSED PILLOW BLOCKS

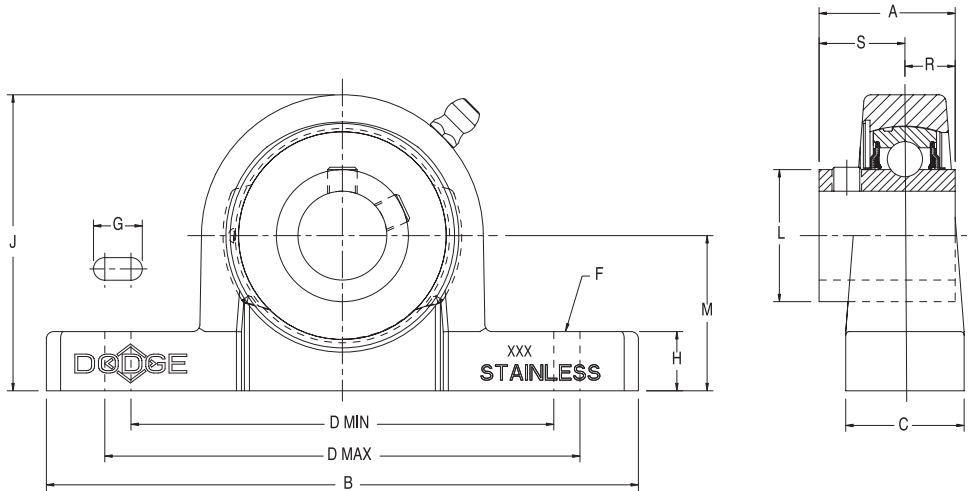
| Size | Shaft Series | Weight lbs kg | A | B | C | D | | F Bolt Dia. | G | H | J | L | M | R | S |
|------|--------------|---------------------|---------|---------|---------|---------|---------|-------------|-------|-------|---------|---------|---------|-------|--------|
| | | | | | | min. | max. | | | | | | | | |
| 204 | 1/2 | 0.68 | 1-5/32 | 5-1/32 | 1-31/64 | 3-43/64 | 3-59/64 | 3/8 | 19/32 | 39/64 | 2-5/8 | 1-1/8 | 1-5/16 | 27/64 | 47/64 |
| | 5/8 | 0.66 | | | | | | | | | | | | | |
| | 3/4 | 0.64 | | | | | | | | | | | | | |
| | 20 mm | 0.30 | 29.4 | 127.8 | 37.7 | 93.3 | 99.6 | M10 | 15.1 | 15.5 | 66.7 | 28.6 | 33.3 | 10.7 | 18.7 |
| 205 | 7/8 | 0.73 | 1-3/16 | 5-1/2 | 1-31/64 | 3-31/32 | 4-13/64 | 3/8 | 19/32 | 39/64 | 2-55/64 | 1-21/64 | 1-7/16 | 27/64 | 49/64 |
| | 15/16 | 0.71 | | | | | | | | | | | | | |
| | 1 | 0.69 | | | | | | | | | | | | | |
| | 25 mm | 0.32 | 30.2 | 139.7 | 37.7 | 100.8 | 106.8 | M10 | 15.1 | 15.5 | 72.6 | 33.7 | 36.5 | 10.7 | 19.4 |
| 206 | 1-1/8 | 1.15 | 1-25/64 | 6-5/16 | 1-25/32 | 4-39/64 | 4-57/64 | 1/2 | 23/32 | 45/64 | 3-11/32 | 1-37/64 | 1-11/16 | 31/64 | 29/32 |
| | 1-3/16 | 1.13 | | | | | | | | | | | | | |
| | 1-1/4 | 1.11 | | | | | | | | | | | | | |
| | 30 mm | 0.51 | 35.3 | 160.3 | 45.2 | 116.9 | 124.2 | M12 | 18.3 | 17.9 | 84.9 | 40.1 | 42.9 | 12.3 | 23 |
| 207 | 1-1/4 | 1.68 | 1-17/32 | 6-35/64 | 1-7/8 | 4-13/16 | 5-1/8 | 1/2 | 23/32 | 23/32 | 3-57/64 | 1-27/32 | 1-7/8 | 1/2 | 1-1/32 |
| | 1-5/16 | 1.63 | | | | | | | | | | | | | |
| | 1-3/8 | 1.58 | | | | | | | | | | | | | |
| | 1-7/16 | 1.52 | | | | | | | | | | | | | |
| | 35 mm | 0.74 | 38.9 | 166.3 | 47.8 | 122.2 | 130.2 | M12 | 18.3 | 18.3 | 98.8 | 46.8 | 47.6 | 12.7 | 26.2 |
| 208 | 1-1/2 | 2.08 | 1-11/16 | 7-13/64 | 2-7/64 | 5-7/64 | 5-41/64 | 1/2 | 7/8 | 49/64 | 4-11/64 | 2-3/64 | 1-15/16 | 19/32 | 1-3/32 |
| | 1-5/8 | 2.00 | | | | | | | | | | | | | |
| | 40 mm | 0.88 | 42.9 | 183.0 | 53.6 | 129.6 | 143.3 | M12 | 22.2 | 19.4 | 106 | 52 | 49.2 | 15.1 | 27.8 |
| 209 | 1-5/8 | 2.41 | 1-23/32 | 7-13/64 | 2-7/64 | 5-27/64 | 5-31/32 | 1/2 | 7/8 | 27/32 | 4-5/16 | 2-7/32 | 2-1/8 | 19/32 | 1-1/8 |
| | 1-11/16 | 2.34 | | | | | | | | | | | | | |
| | 1-3/4 | 2.27 | | | | | | | | | | | | | |
| | 45 mm | 1.03 | 43.7 | 183.0 | 53.6 | 137.7 | 151.6 | M12 | 22.2 | 21.4 | 109.5 | 56.4 | 54 | 15.1 | 28.6 |
| 210 | 1-15/16 | 2.65 | 1-3/4 | 8-1/16 | 2-23/64 | 6 | 6-9/16 | 5/8 | 1 | 59/64 | 4-9/16 | 2-7/16 | 2-1/4 | 19/32 | 1-5/32 |
| | 2 | 2.58 | | | | | | | | | | | | | |
| | 50 mm | 1.30 | 44.5 | 204.8 | 59.9 | 152.4 | 166.7 | M16 | 25.4 | 23.4 | 115.9 | 61.9 | 57.2 | 15.1 | 29.4 |

| | | | |
|--------------------------------|------------------------|---------------------------|---------------------------|
| FEATURES/BENEFITS PAGE B1-2 | SELECTION PAGE B1-5 | INTERCHANGE PAGE B1-88 | ACCESSORIES PAGE B1-90 |
|--------------------------------|------------------------|---------------------------|---------------------------|

SELECTIONS/DIMENSIONS



E-Z KLEEN Mounted Bearings SCEZ NORMAL DUTY STAINLESS STEEL HOUSED PILLOW BLOCKS

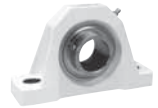


| Series | Shaft Size | With Corrosion Resistant Insert | | Standard Insert with Flingers | |
|--------------|------------|---------------------------------|---------------------------|-------------------------------|-------------------------|
| | | Part No. | Description | Part No. | Description |
| 204 | 1/2 | @ | P2B-SCEZ-008L-SHCR | @ | P2B-SCEZ-008L-SH |
| | 5/8 | 068236 | P2B-SCEZ-010L-SHCR* | @ | P2B-SCEZ-010L-SH |
| | 3/4 | 127670 | P2B-SCEZ-012-SHCR | 059870 | P2B-SCEZ-012-SH |
| | 20mm | 127697 | <i>P2B-SCEZ-20M-SHCR</i> | @ | <i>P2B-SCEZ-20M-SH</i> |
| 205 | 7/8 | 056553 | P2B-SCEZ-014-SHCR* | 049996 | P2B-SCEZ-014-SH |
| | 15/16 | 067839 | P2B-SCEZ-015-SHCR* | @ | P2B-SCEZ-015-SH |
| | 1 | 127671 | P2B-SCEZ-100-SHCR | 056796 | P2B-SCEZ-100-SH |
| | 25mm | 127698 | <i>P2B-SCEZ-25M-SHCR</i> | @ | <i>P2B-SCEZ-25M-SH</i> |
| 206 | 1-1/8 | @ | P2B-SCEZ-102-SHCR* | 056548 | P2B-SCEZ-102-SH |
| | 1-3/16 | 127672 | P2B-SCEZ-103-SHCR | 056797 | P2B-SCEZ-103-SH |
| | 1-1/4 | 127674 | P2B-SCEZ-104S-SHCR | 067630 | P2B-SCEZ-104S-SH |
| | 30mm | @ | <i>P2B-SCEZ-30M-SHCR</i> | @ | <i>P2B-SCEZ-30M-SH</i> |
| 206 (SCU) | 1-1/8 | @ | P2B-SCUEZ-102-SHCR* | @ | P2B-SCUEZ-102-SH |
| | 1-3/16 | 127673 | P2B-SCUEZ-103-SHCR | @ | P2B-SCUEZ-103-SH |
| | 1-1/4 | 127675 | P2B-SCUEZ-104S-SHCR | @ | P2B-SCUEZ-104S-SH |
| | 30mm | 127699 | <i>P2B-SCUEZ-30M-SHCR</i> | @ | <i>P2B-SCUEZ-30M-SH</i> |

@ Assembled to order
*20 piece minimum

| | | | |
|--------------------------------|------------------------|---------------------------|---------------------------|
| FEATURES/BENEFITS PAGE B1-2 | SELECTION PAGE B1-5 | INTERCHANGE PAGE B1-88 | ACCESSORIES PAGE B1-90 |
|--------------------------------|------------------------|---------------------------|---------------------------|

SELECTION/DIMENSIONS



E-Z KLEEN Mounted Bearings SCEZ NORMAL DUTY STAINLESS STEEL HOUSED PILLOW BLOCKS

Bearing Quick Reference

E-Z KLEEN

GRIP TIGHT Adapter Ball Bearing

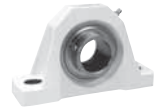
Set Screw Ball Bearing

Eccentric Collar Ball Bearing

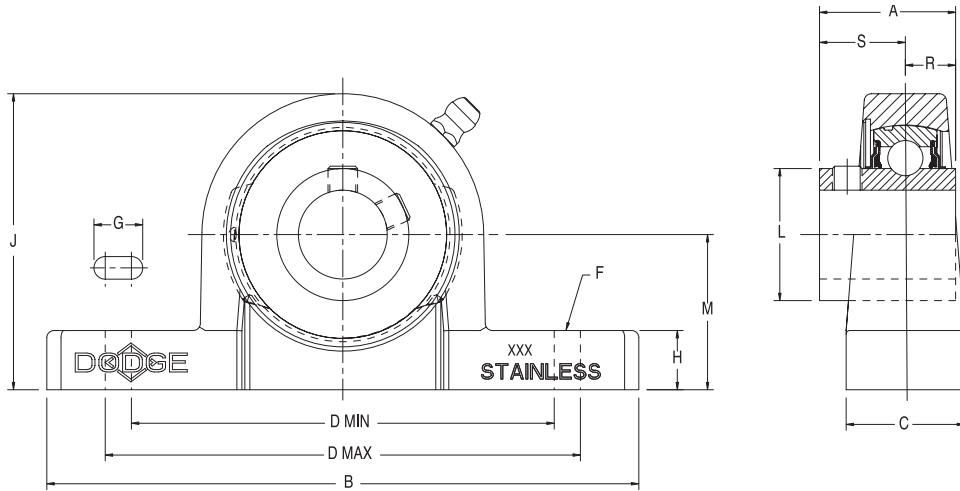
| Series | Shaft Size | Weight lbs kg | A | B | C | D | | F Bolt Dia. | G | H | J | L | M | R | S |
|-----------|------------|---------------------|---------|-------|-------|---------|--------|-------------|-------|-------|---------|---------|---------|-------|-------|
| | | | | | | min. | max. | | | | | | | | |
| 204 | 1/2 | 1.39 | 1-5/32 | 5 | 1 | 3-3/8 | 4-3/16 | 3/8 | 27/32 | 1/2 | 2-1/2 | 1-1/8 | 1-5/16 | 27/64 | 47/64 |
| | 5/8 | 1.35 | | | | | | | | | | | | | |
| | 3/4 | 1.31 | | | | | | | | | | | | | |
| | 20mm | 0.59 | 29.4 | 127.0 | 25.4 | 85.7 | 106.4 | M10 | 21.4 | 12.7 | 63.5 | 28.6 | 33.3 | 10.7 | 18.7 |
| 205 | 7/8 | 1.65 | 1-3/16 | 5-1/2 | 1-1/8 | 3-11/16 | 4-1/2 | 3/8 | 27/32 | 17/32 | 2-23/32 | 1-21/64 | 1-7/16 | 27/64 | 49/64 |
| | 15/16 | 1.62 | | | | | | | | | | | | | |
| | 1 | 1.59 | | | | | | | | | | | | | |
| | 25mm | 0.73 | 30.2 | 139.7 | 28.6 | 93.7 | 114.3 | M10 | 21.4 | 13.5 | 69.1 | 33.7 | 36.5 | 10.7 | 19.4 |
| 206 | 1-1/8 | 2.37 | 1-25/64 | 6-1/4 | 1-1/4 | 4-17/64 | 5 | 1/2 | 15/16 | 17/32 | 3-1/8 | 1-37/64 | 1-5/8 | 31/64 | 29/32 |
| | 1-3/16 | 2.33 | | | | | | | | | | | | | |
| | 1-1/4 | 2.29 | | | | | | | | | | | | | |
| | 30mm | 1.06 | 35.3 | 158.8 | 31.8 | 108.3 | 127 | M12 | 23.8 | 13.5 | 79.4 | 40.1 | 41.3 | 12.3 | 23 |
| 206 (SCU) | 1-1/8 | 2.48 | 1-25/64 | 6-1/4 | 1-1/4 | 4-17/64 | 5 | 1/2 | 15/16 | 19/32 | 3-3/16 | 1-37/64 | 1-11/16 | 31/64 | 29/32 |
| | 1-3/16 | 2.44 | | | | | | | | | | | | | |
| | 1-1/4 | 2.39 | | | | | | | | | | | | | |
| | 30mm | 1.11 | 35.3 | 158.8 | 31.8 | 108.3 | 127 | M12 | 23.8 | 15.1 | 81 | 40.1 | 42.9 | 12.3 | 23 |

| | | | |
|--------------------------------|------------------------|---------------------------|---------------------------|
| FEATURES/BENEFITS PAGE B1-2 | SELECTION PAGE B1-5 | INTERCHANGE PAGE B1-88 | ACCESSORIES PAGE B1-90 |
|--------------------------------|------------------------|---------------------------|---------------------------|

SELECTIONS/DIMENSIONS



E-Z KLEEN Mounted Bearings SCEZ NORMAL DUTY STAINLESS STEEL HOUSED PILLOW BLOCKS

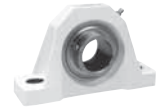


| Series | Shaft Size | With Corrosion Resistant Insert | | Standard Insert with Flingers | |
|--------------|------------|---------------------------------|--------------------|-------------------------------|------------------|
| | | Part No. | Description | Part No. | Description |
| 207 | 1-1/4 | 127676 | P2B-SCEZ-104-SHCR | 059798 | P2B-SCEZ-104-SH |
| | 1-3/8 | @ | P2B-SCEZ-106-SHCR* | 056525 | P2B-SCEZ-106-SH |
| | 1-7/16 | 127677 | P2B-SCEZ-107-SHCR | 059799 | P2B-SCEZ-107-SH |
| | 35mm | 127700 | P2B-SCEZ-35M-SHCR | @ | P2B-SCEZ-35M-SH |
| 208 | 1-1/2 | 127678 | P2B-SCEZ-108-SHCR | 056565 | P2B-SCEZ-108-SH |
| | 1-5/8 | @ | P2B-SCEZ-110-SHCR* | 062874 | P2B-SCEZ-110-SH |
| | 40mm | @ | P2B-SCEZ-40M-SHCR | @ | P2B-SCEZ-40M-SH |
| 208 (SCB) | 1-1/2 | 127679 | P2B-SCBEZ-108-SHCR | @ | P2B-SCBEZ-108-SH |
| | 40mm | 127701 | P2B-SCBEZ-40M-SHCR | @ | P2B-SCBEZ-40M-SH |
| 210 | 1-11/16 | @ | P2B-SCMEZ-111-SHCR | @ | P2B-SCMEZ-111-SH |
| | 1-15/16 | 127680 | P2B-SCEZ-115-SHCR | 056800 | P2B-SCEZ-115-SH |
| | 2 | @ | P2B-SCEZ-200-SHCR | 062879 | P2B-SCEZ-200-SH |
| | 50mm | 127702 | P2B-SCEZ-50M-SHCR | @ | P2B-SCEZ-50M-SH |

@ Assembled to order
*20 piece minimum

| | | | |
|--------------------------------|------------------------|---------------------------|---------------------------|
| FEATURES/BENEFITS PAGE B1-2 | SELECTION PAGE B1-5 | INTERCHANGE PAGE B1-88 | ACCESSORIES PAGE B1-90 |
|--------------------------------|------------------------|---------------------------|---------------------------|

SELECTION/DIMENSIONS



E-Z KLEEN Mounted Bearings SCEZ NORMAL DUTY STAINLESS STEEL HOUSED PILLOW BLOCKS

Bearing Quick Reference

E-Z KLEEN

GRIP TIGHT Adapter Ball Bearing

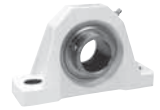
Set Screw Ball Bearing

Eccentric Collar Ball Bearing

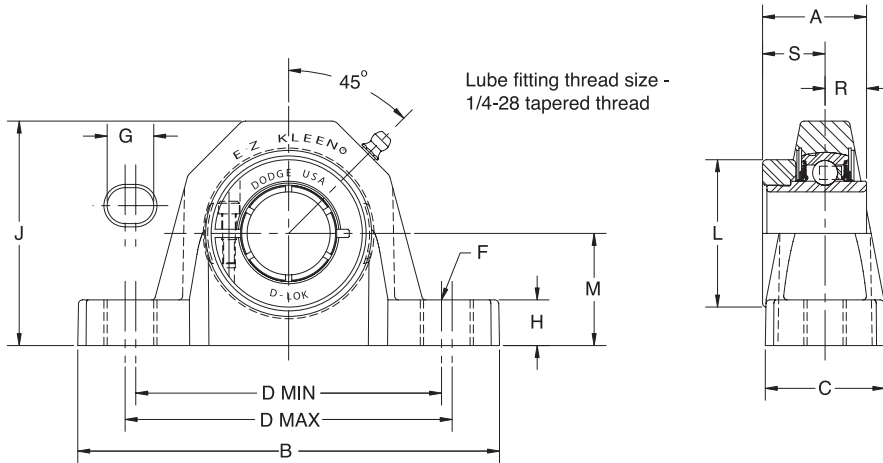
| Size | Shaft Series | Weight lbs kg | A | B | C | D | | F Bolt Dia. | G | H | J | L | M | R | S |
|--------------|--------------|---------------------|---------|-------|-------|---------|---------|-------------------|--------|------|---------|---------|---------|-------|--------|
| | | | | | | min. | max. | | | | | | | | |
| 207 | 1-1/4 | 3.36 | 1-17/32 | 6-1/2 | 1-3/8 | 4-11/16 | 5-7/16 | 1/2 | 15/16 | 9/16 | 3-5/8 | 1-27/32 | 1-7/8 | 1/2 | 1-1/32 |
| | 1-3/8 | 3.25 | | | | | | | | | | | | | |
| | 1-7/16 | 3.19 | | | | | | | | | | | | | |
| | 35mm | 1.47 | 38.9 | 165.1 | 34.9 | 119.1 | 138.1 | M12 | 23.8 | 14.3 | 92.1 | 46.8 | 47.6 | 12.7 | 26.2 |
| 208 | 1-1/2 | 4.39 | 1-11/16 | 7 | 1-1/2 | 5-3/16 | 6 | 1/2 | 31/32 | 3/4 | 4 | 2-3/64 | 2-1/8 | 19/32 | 1-3/32 |
| | 1-5/8 | | | | | | | | | | | | | | |
| | 40mm | 1.95 | 42.9 | 177.8 | 38.1 | 131.8 | 152.4 | M12 | 24.6 | 19.1 | 101.6 | 52 | 54 | 15.1 | 27.8 |
| 208 (SCB) | 1-1/2 | 3.93 | 1-11/16 | 7 | 1-1/2 | 5-3/16 | 6 | 1/2 | 31/32 | 9/16 | 3-13/16 | 2-3/64 | 1-15/16 | 19/32 | 1-3/32 |
| | 40mm | 1.74 | 42.9 | 177.8 | 38.1 | 131.8 | 152.4 | M12 | 24.6 | 14.3 | 96.8 | 52 | 49.2 | 15.1 | 27.8 |
| 210 | 1-11/16 | 5.14 | 1-3/4 | 8 | 1-5/8 | 5-49/64 | 6-11/16 | 5/8 | 1-9/64 | 5/8 | 4-5/16 | 2-7/16 | 2-1/4 | 19/32 | 1-5/32 |
| | 1-15/16 | 5.09 | | | | | | | | | | | | | |
| | 50mm | 2.29 | 44.6 | 203.2 | 41.3 | 146.4 | 169.9 | M16 | 29 | 15.9 | 109.5 | 61.9 | 57.2 | 15.1 | 29.4 |

| | | | |
|--------------------------------|------------------------|---------------------------|---------------------------|
| FEATURES/BENEFITS PAGE B1-2 | SELECTION PAGE B1-5 | INTERCHANGE PAGE B1-88 | ACCESSORIES PAGE B1-90 |
|--------------------------------|------------------------|---------------------------|---------------------------|

SELECTIONS/DIMENSIONS



E-Z KLEEN Mounted Bearings DLEZ NORMAL DUTY POLYMER HOUSED PILLOW BLOCKS



| Series | Shaft Size | With Corrosion Resistant Insert | | Standard Insert With Flingers | |
|--------------|------------|---------------------------------|--------------------|-------------------------------|------------------|
| | | Part No. | Description | Part No. | Description |
| 204 | 3/4 | 127578 | P2B-DLEZ-012-PCR | @ | P2B-DLEZ-012-P |
| | 20 mm | 127623 | P2B-DLEZ-20M-PCR | @ | P2B-DLEZ-20M-P |
| 205 | 7/8 | @ | P2B-DLEZ-014-PCR* | @ | P2B-DLEZ-014-P |
| | 15/16 | @ | P2B-DLEZ-015-PCR* | @ | P2B-DLEZ-015-P |
| | 1 | 127579 | P2B-DLEZ-100-PCR | @ | P2B-DLEZ-100-P |
| | 25 mm | 127624 | P2B-DLEZ-25M-PCR | @ | P2B-DLEZ-25M-P |
| 206 (DLU) | 1-1/8 | @ | P2B-DLUEZ-102-PCR* | @ | P2B-DLUEZ-102-P |
| | 1-3/16 | 127580 | P2B-DLUEZ-103-PCR | @ | P2B-DLUEZ-103-P |
| | 1-1/4 | 127581 | P2B-DLUEZ-104S-PCR | @ | P2B-DLUEZ-104S-P |
| | 30 mm | 127625 | P2B-DLUEZ-30M-PCR | @ | P2B-DLUEZ-30M-P |
| 207 | 1-1/4 | 127582 | P2B-DLEZ-104-PCR | @ | P2B-DLEZ-104-P |
| | 1-3/8 | @ | P2B-DLEZ-106-PCR* | @ | P2B-DLEZ-106-P |
| | 1-7/16 | 127583 | P2B-DLEZ-107-PCR | @ | P2B-DLEZ-107-P |
| | 35 mm | 127626 | P2B-DLEZ-35M-PCR | @ | P2B-DLEZ-35M-P |
| 208 (DLB) | 1-1/2 | 127584 | P2B-DLBEZ-108-PCR | @ | P2B-DLBEZ-108-P |
| | 40 mm | 127627 | P2B-DLBEZ-40M-PCR | @ | P2B-DLBEZ-40M-P |
| 209 | 1-5/8 | 057442 | P2B-DLEZ-110L-PCR* | @ | P2B-DLEZ-110L-P |
| | 1-11/16 | 127585 | P2B-DLEZ-111-PCR | @ | P2B-DLEZ-111-P |
| | 1-3/4 | 062875 | P2B-DLEZ-112-PCR* | @ | P2B-DLEZ-112-P |
| | 45 mm | 127628 | P2B-DLEZ-45M-PCR | @ | P2B-DLEZ-45M-P |
| 210 | 1-15/16 | 127586 | P2B-DLEZ-115-PCR | @ | P2B-DLEZ-115-P |
| | 2 | 058516 | P2B-DLEZ-200-PCR | @ | P2B-DLEZ-200-P |
| | 50 mm | 127629 | P2B-DLEZ-50M-PCR | @ | P2B-DLEZ-50M-P |

@ Assembled to order

* 20 piece minimum

| | | | |
|--------------------------------|------------------------|---------------------------|---------------------------|
| FEATURES/BENEFITS PAGE B1-2 | SELECTION PAGE B1-5 | INTERCHANGE PAGE B1-88 | ACCESSORIES PAGE B1-90 |
|--------------------------------|------------------------|---------------------------|---------------------------|

SELECTION/DIMENSIONS



E-Z KLEEN Mounted Bearings DLEZ NORMAL DUTY POLYMER HOUSED PILLOW BLOCKS

Bearing Quick Reference

E-Z KLEEN

GRIP TIGHT Adapter Ball Bearing

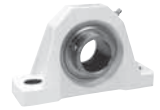
Set Screw Ball Bearing

Eccentric Collar Ball Bearing

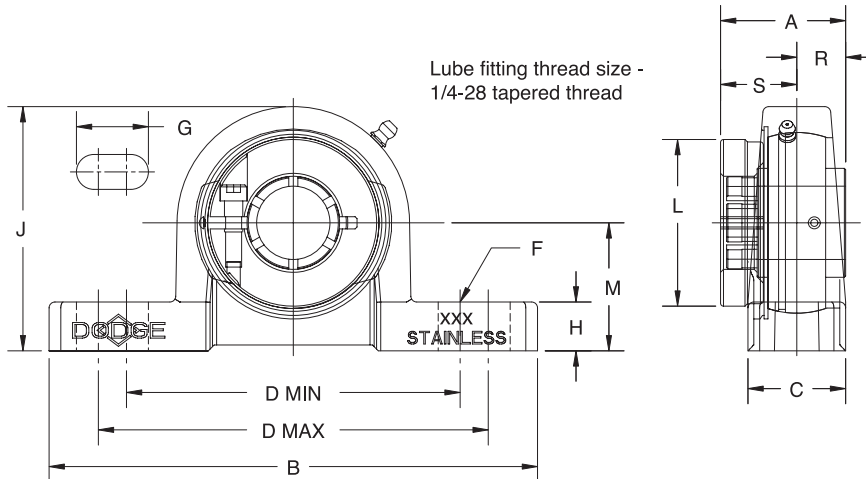
| Size | Shaft Series | Weight lbs kg | A | B | C | D | | F Bolt Dia. | G | H | J | L | M | R | S |
|-----------|--------------|---------------------|--------|---------|---------|---------|---------|-------------|-------|-------|---------|---------|---------|-------|---------|
| | | | | | | min. | max. | | | | | | | | |
| 204 | 3/4 | 0.92 | 1-9/32 | 5-1/32 | 1-31/64 | 3-43/64 | 3-59/64 | 3/8 | 19/32 | 39/64 | 2-5/8 | 1-45/64 | 1-5/16 | 1/2 | 25/32 |
| | 20 mm | 0.42 | 32.5 | 127.8 | 37.7 | 93.3 | 99.6 | M10 | 15.1 | 15.5 | 66.7 | 43.3 | 33.3 | 12.7 | 19.8 |
| 205 | 7/8 | 1.32 | 1-7/16 | 5-1/2 | 1-31/64 | 3-31/32 | 4-13/64 | 3/8 | 19/32 | 39/64 | 2-55/64 | 2 | 1-7/16 | 9/16 | 7/8 |
| | 15/16 | 1.22 | | | | | | | | | | | | | |
| | 1 | 1.12 | | | | | | | | | | | | | |
| | 25 mm | 0.51 | 36.5 | 139.7 | 37.7 | 100.8 | 106.8 | M10 | 15.1 | 15.5 | 72.6 | 50.8 | 36.5 | 14.3 | 22.2 |
| 206 (DLU) | 1-1/8 | 1.83 | 1-9/16 | 6-5/16 | 1-25/32 | 4-39/64 | 4-57/64 | 1/2 | 23/32 | 45/64 | 3-11/32 | 2-7/32 | 1-11/16 | 5/8 | 15/16 |
| | 1-3/16 | 1.73 | | | | | | | | | | | | | |
| | 1-1/4 | 1.63 | | | | | | | | | | | | | |
| | 30 mm | 0.79 | 39.7 | 160.3 | 45.2 | 116.9 | 124.2 | M12 | 18.3 | 17.9 | 84.9 | 56.4 | 42.9 | 15.9 | 23.8 |
| 207 | 1-1/4 | 2.46 | 1-3/4 | 6-35/64 | 1-7/8 | 4-13/16 | 5-1/8 | 1/2 | 23/32 | 23/32 | 3-57/64 | 2-11/16 | 1-7/8 | 11/16 | 1-1/16 |
| | 1-3/8 | 2.41 | | | | | | | | | | | | | |
| | 1-7/16 | 2.36 | | | | | | | | | | | | | |
| | 35 mm | 1.13 | 44.5 | 166.3 | 47.8 | 122.2 | 130.2 | M12 | 18.3 | 18.3 | 98.8 | 68.3 | 47.6 | 17.5 | 27.0 |
| 208 (DLB) | 1-1/2 | 3.01 | 2 | 7-13/64 | 2-7/64 | 5-7/64 | 5-41/64 | 1/2 | 7/8 | 49/64 | 4-11/64 | 2-47/64 | 1-15/16 | 3/4 | 1-1/4 |
| | 40 mm | 1.39 | 50.8 | 183.0 | 53.6 | 129.6 | 143.3 | M12 | 22.2 | 19.4 | 106 | 69.5 | 49.2 | 19.1 | 31.8 |
| 209 | 1-5/8 | 3.51 | 2 | 7-13/64 | 2-7/64 | 5-27/64 | 5-31/32 | 1/2 | 7/8 | 27/32 | 4-5/16 | 2-63/64 | 2-1/8 | 3/4 | 1-1/4 |
| | 1-11/16 | 3.41 | | | | | | | | | | | | | |
| | 1-3/4 | 3.31 | | | | | | | | | | | | | |
| | 45 mm | 1.56 | 50.8 | 183.0 | 53.6 | 137.7 | 151.6 | M12 | 22.2 | 21.4 | 109.5 | 75.8 | 54 | 19.1 | 31.8 |
| 210 | 1-15/16 | 4.17 | 2-3/32 | 8-1/16 | 2-23/64 | 6 | 6-9/16 | 5/8 | 1 | 59/64 | 4-9/16 | 3-15/64 | 2-1/4 | 3/4 | 1-11/32 |
| | 2 | 4.07 | | | | | | | | | | | | | |
| | 50 mm | 1.68 | 53.2 | 204.8 | 59.9 | 152.4 | 166.7 | M16 | 25.4 | 23.4 | 115.9 | 82.2 | 57.2 | 19.1 | 34.1 |

| | | | |
|--------------------------------|------------------------|---------------------------|---------------------------|
| FEATURES/BENEFITS PAGE B1-2 | SELECTION PAGE B1-5 | INTERCHANGE PAGE B1-88 | ACCESSORIES PAGE B1-90 |
|--------------------------------|------------------------|---------------------------|---------------------------|

SELECTIONS/DIMENSIONS



E-Z KLEEN Mounted Bearings DLEZ NORMAL DUTY STAINLESS STEEL HOUSED PILLOW BLOCKS



| Series | Shaft Size | Part No. | Description |
|--------------|------------|---------------|---------------------|
| 204 | 3/4 | 127715 | P2B-DLEZ-012-SHCR |
| | 20mm | 127739 | P2B-DLEZ-20M-SHCR |
| 205 | 7/8 | @ | P2B-DLEZ-014-SHCR* |
| | 15/16 | @ | P2B-DLEZ-015-SHCR* |
| | 1 | 127716 | P2B-DLEZ-100-SHCR |
| | 25mm | 127740 | P2B-DLEZ-25M-SHCR |
| 206 | 1-1/8 | @ | P2B-DLEZ-102-SHCR* |
| | 1-3/16 | 127717 | P2B-DLEZ-103-SHCR |
| | 1-1/4 | 127718 | P2B-DLEZ-104S-SHCR |
| | 30mm | 127741 | P2B-DLEZ-30M-SHCR |
| 206 (DLU) | 1-1/8 | @ | P2B-DLUEZ-102-SHCR* |
| | 1-3/16 | @ | P2B-DLUEZ-103-SHCR |
| | 1-1/4 | @ | P2B-DLUEZ-104S-SHCR |
| | 30mm | @ | P2B-DLUEZ-30M-SHCR |
| 207 | 1-1/4 | 127719 | P2B-DLEZ-104-SHCR |
| | 1-3/8 | @ | P2B-DLEZ-106-SHCR* |
| | 1-7/16 | 127720 | P2B-DLEZ-107-SHCR |
| 208 | 35mm | 127742 | P2B-DLEZ-35M-SHCR |
| | 1-1/2 | 127721 | P2B-DLEZ-108-SHCR |
| 208 (DLB) | 40mm | 127743 | P2B-DLEZ-40M-SHCR |
| | 1-1/2 | 049469 | P2B-DLBEZ-108-SHCR |
| 210 | 40mm | @ | P2B-DLBEZ-40M-SHCR |
| | 1-11/16 | @ | P2B-DLMEZ-111-SHCR* |
| | 1-15/16 | 127722 | P2B-DLEZ-115-SHCR |
| | 50mm | 127744 | P2B-DLEZ-50M-SHCR |

@ Assembled to order *20 piece minimum

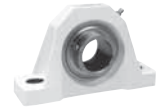
FEATURES/BENEFITS
PAGE B1-2

SELECTION
PAGE B1-5

INTERCHANGE
PAGE B1-88

ACCESSORIES
PAGE B1-90

SELECTION/DIMENSIONS

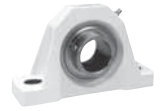


E-Z KLEEN Mounted Bearings DLEZ NORMAL DUTY STAINLESS STEEL HOUSED PILLOW BLOCKS

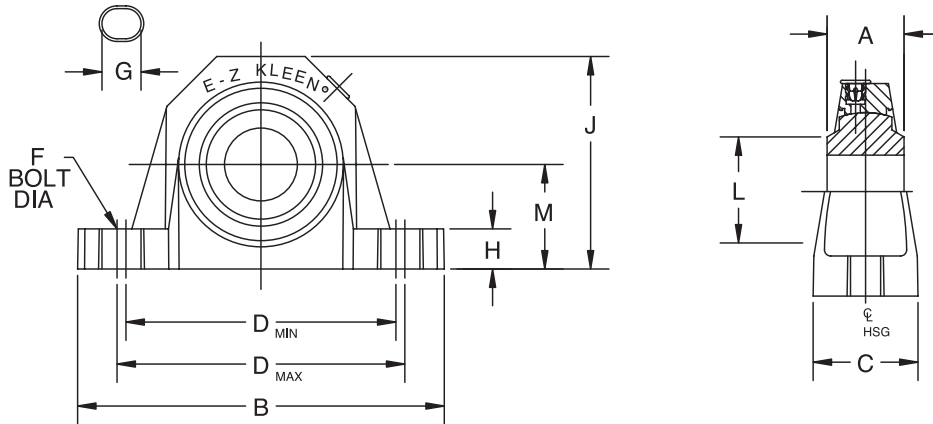
| Size | Shaft Series | Weight lbs kg | A | B | C | D | | F Bolt Dia. | G | H | J | L | M | R | S |
|-----------|--------------|---------------------|--------|-------|-------|---------|---------|-------------------|--------|-------|---------|---------|---------|-------|---------|
| | | | | | | min. | max. | | | | | | | | |
| 204 | 3/4 | 1.46 | 1-9/32 | 5 | 1 | 3-3/8 | 4-3/16 | 3/8 | 27/32 | 1/2 | 2-1/2 | 1-45/64 | 1-5/16 | 1/2 | 25/32 |
| | 20mm | 0.65 | 32.5 | 127.0 | 25.4 | 85.7 | 106.4 | M10 | 21.4 | 12.7 | 63.5 | 43.3 | 33.3 | 12.7 | 19.8 |
| 205 | 7/8 | 1.92 | 1-7/16 | 5-1/2 | 1-1/8 | 3-11/16 | 4-1/2 | 3/8 | 27/32 | 17/32 | 2-23/32 | 2 | 1-7/16 | 9/16 | 7/8 |
| | 15/16 | 1.87 | | | | | | | | | | | | | |
| | 1 | 1.82 | | | | | | | | | | | | | |
| 206 | 25mm | 0.83 | 36.5 | 139.7 | 28.6 | 93.7 | 114.3 | M10 | 21.4 | 13.5 | 69.1 | 50.8 | 36.5 | 14.3 | 22.2 |
| | 1-1/8 | 2.60 | 1-9/16 | 6-1/4 | 1-1/4 | 4-17/64 | 5 | 1/2 | 15/16 | 17/32 | 3-1/8 | 117/64 | 1-5/8 | 5/8 | 15/16 |
| | 1-3/16 | 2.55 | | | | | | | | | | | | | |
| 206 (DLU) | 1-1/4 | 2.50 | | | | | | | | | | | | | |
| | 30mm | 1.18 | 39.7 | 158.8 | 31.8 | 108.3 | 127 | M12 | 23.8 | 13.5 | 79.4 | 56.4 | 41.3 | 15.9 | 23.8 |
| | 1-1/8 | 2.65 | 1-9/16 | 6-1/4 | 1-1/4 | 4-17/64 | 5 | 1/2 | 15/16 | 19/32 | 3-3/16 | 2-7/32 | 1-11/16 | 5/8 | 15/16 |
| 207 | 1-3/16 | 2.60 | | | | | | | | | | | | | |
| | 1-1/4 | 2.55 | | | | | | | | | | | | | |
| | 30mm | 1.18 | 39.7 | 158.8 | 31.8 | 108.3 | 127 | M12 | 23.8 | 15.1 | 81 | 56.4 | 42.9 | 15.9 | 23.8 |
| 208 | 1-1/4 | 3.83 | 1-3/4 | 6-1/2 | 1-3/8 | 4-11/16 | 5-7/16 | 1/2 | 15/16 | 9/16 | 3-5/8 | 2-11/16 | 1-7/8 | 11/16 | 1-1/16 |
| | 1-3/8 | 3.74 | | | | | | | | | | | | | |
| | 1-7/16 | 3.66 | | | | | | | | | | | | | |
| 208 (DLB) | 35mm | 1.75 | 44.5 | 165.1 | 34.9 | 119.1 | 138.1 | M12 | 23.8 | 14.3 | 92.1 | 68.3 | 47.6 | 17.5 | 27 |
| | 1-1/2 | 4.90 | 2 | 7 | 1-1/2 | 5-3/16 | 6 | 1/2 | 31/32 | 3/4 | 4 | 2-47/64 | 2-1/8 | 3/4 | 1-1/4 |
| | 40mm | 2.22 | 50.8 | 177.8 | 38.1 | 131.8 | 152.4 | M12 | 24.6 | 19.1 | 101.6 | 69.5 | 54 | 19.1 | 31.8 |
| 210 | 1-1/2 | 4.85 | 2 | 7 | 1-1/2 | 5-3/16 | 6 | 1/2 | 31/32 | 9/16 | 3-13/16 | 2-47/64 | 1-15/16 | 3/4 | 1-1/4 |
| | 40mm | 2.22 | 50.8 | 177.8 | 38.1 | 131.8 | 152.4 | M12 | 24.6 | 14.3 | 96.8 | 69.5 | 49.2 | 19.1 | 31.8 |
| | 1-11/16 | 6.14 | 2-3/32 | 8 | 1-5/8 | 5-49/64 | 6-11/16 | 5/8 | 1-9/64 | 5/8 | 4-5/16 | 3-15/64 | 2-1/4 | 3/4 | 1-11/32 |
| 210 | 1-15/16 | 5.77 | | | | | | | | | | | | | |
| | 50mm | 2.62 | 53.2 | 203.2 | 41.3 | 146.4 | 169.9 | M16 | 29 | 15.9 | 109.5 | 82.2 | 57.2 | 19.1 | 34.1 |

| | | | |
|--------------------------------|------------------------|---------------------------|---------------------------|
| FEATURES/BENEFITS PAGE B1-2 | SELECTION PAGE B1-5 | INTERCHANGE PAGE B1-88 | ACCESSORIES PAGE B1-90 |
|--------------------------------|------------------------|---------------------------|---------------------------|

SELECTIONS/DIMENSIONS



E-Z KLEEN Mounted Bearings PSEZ POLYMER SLEEVE, POLYMER HOUSED PILLOW BLOCKS



| Series | Shaft Size | Part No. | Description |
|--------------|------------|---------------|------------------|
| 204 | 3/4 | 034700 | P2B-PSEZ-012-P |
| | 20mm | 034748 | P2B-PSEZ-20M-P |
| 205 | 1 | 034701 | P2B-PSEZ-100-P |
| | 25mm | 034749 | P2B-PSEZ-25M-P |
| 206 (PSU) | 1-3/16 | 034702 | P2B-PSUEZ-103-P |
| | 1-1/4 | 034703 | P2B-PSUEZ-104S-P |
| | 30mm | 034750 | P2B-PSUEZ-30M-P |
| 207 | 1-1/4 | 034704 | P2B-PSEZ-104-P |
| | 1-7/16 | 034705 | P2B-PSEZ-107-P |
| | 35mm | 034751 | P2B-PSEZ-35M-P |
| 208 (PSB) | 1-1/2 | 034706 | P2B-PSBEZ-108-P |
| | 40mm | 034752 | P2B-PSBEZ-40M-P |
| 210 | 1-15/16 | 034709 | P2B-PSEZ-115-P |
| | 50mm | 034754 | P2B-PSEZ-50M-P |

FEATURES/BENEFITS
PAGE B1-2

SELECTION
PAGE B1-5

INTERCHANGE
PAGE B1-88

ACCESSORIES
PAGE B1-90

SELECTION/DIMENSIONS



E-Z KLEEN Mounted Bearings PSEZ POLYMER SLEEVE, POLYMER HOUSED PILLOW BLOCKS

Bearing Quick Reference

E-Z KLEEN

GRIP TIGHT Adapter Ball Bearing

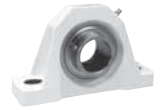
Set Screw Ball Bearing

Eccentric Collar Ball Bearing

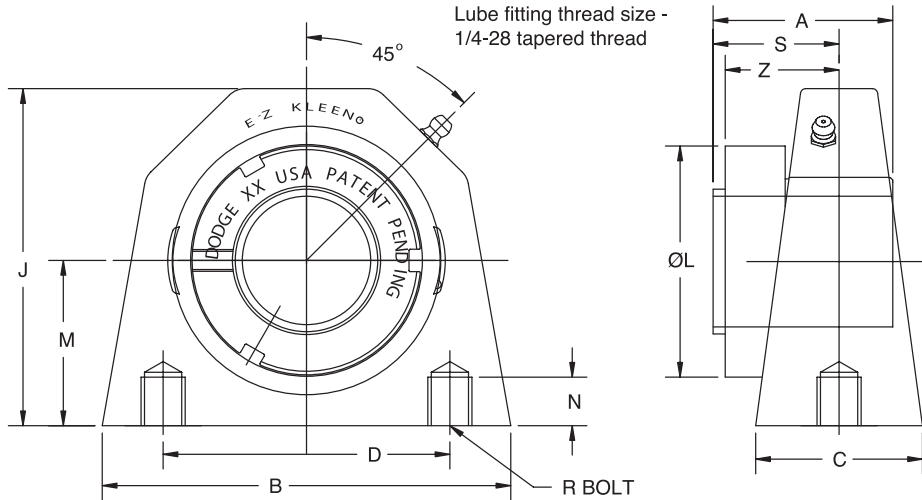
| Series | Shaft Size | Weight lb. kg | A | B | C | D | | F Bolt Dia | G | H | J | L | M |
|--------------|----------------|---------------------|--------|---------|---------|---------|---------|------------------|-------|-------|---------|---------|---------|
| | | | | | | Min | Max | | | | | | |
| 204 | 3/4 | 0.57 | 1 | 5-1/32 | 1-31/64 | 3-31/64 | 3-59/64 | 3/8 | 19/32 | 39/64 | 2-5/8 | 1-5/16 | 1-5/16 |
| | 20mm | 0.26 | 25.4 | 127.8 | 37.7 | 93.3 | 99.6 | M10 | 15.1 | 15.5 | 66.7 | 33.3 | 33.3 |
| 205 | 1 | 0.57 | 1-1/16 | 5-1/2 | 1-31/64 | 3-31/32 | 4-13/64 | 3/8 | 19/32 | 39/64 | 2-55/64 | 1-7/16 | 1-7/16 |
| | 25mm | 0.26 | 27.0 | 139.7 | 37.7 | 100.8 | 106.8 | M10 | 15.1 | 15.5 | 72.6 | 36.5 | 36.5 |
| 206 (PSU) | 1-3/16 | 0.89 | 1-3/16 | 6-5/16 | 1-25/32 | 4-39/64 | 4-57/64 | 1/2 | 23/32 | 45/64 | 3-11/32 | 1-11/16 | 1-11/16 |
| | 1-1/4 30mm | 0.88 0.4 | 30.2 | 160.3 | 45.2 | 116.9 | 124.2 | M12 | 18.3 | 17.9 | 84.9 | 42.9 | 42.9 |
| 207 | 1-1/4 | 1.06 | 1-5/16 | 6-35/64 | 1-7/8 | 4-13/16 | 5-1/8 | 1/2 | 23/32 | 23/32 | 3-57/64 | 2 | 1-7/8 |
| | 1-7/16 35mm | 1.01 0.48 | 33.3 | 166.3 | 47.8 | 122.2 | 130.2 | M12 | 18.3 | 18.3 | 98.8 | 50.8 | 47.6 |
| 208 (PSB) | 1-1/2 | 1.27 | 1-1/2 | 7-13/64 | 2-7/64 | 5-7/64 | 5-41/64 | 1/2 | 7/8 | 49/64 | 4-11/64 | 2 | 1-15/16 |
| | 40mm | 0.58 | 38.1 | 183.0 | 53.6 | 129.6 | 143.3 | M12 | 22.2 | 19.4 | 106.0 | 50.8 | 49.2 |
| 210 | 1-15/16 | 1.67 | 1-5/8 | 8-1/16 | 2-23/64 | 6 | 6-9/16 | 5/8 | 1.00 | 59/64 | 4-9/16 | 2-9/16 | 2-1/4 |
| | 50mm | 0.76 | 41.3 | 204.8 | 59.9 | 152.4 | 166.7 | M16 | 25.4 | 23.4 | 115.9 | 65.1 | 57.2 |

| | | | |
|--------------------------------|------------------------|---------------------------|---------------------------|
| FEATURES/BENEFITS PAGE B1-2 | SELECTION PAGE B1-5 | INTERCHANGE PAGE B1-88 | ACCESSORIES PAGE B1-90 |
|--------------------------------|------------------------|---------------------------|---------------------------|

SELECTIONS/DIMENSIONS



E-Z KLEEN Mounted Bearings GTEZ NORMAL DUTY POLYMER HOUSED TAPPED BASE PILLOW BLOCKS

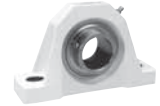


| Series | Shaft Size | Complete Unit | | Unit Without Adapter | | Adapter & Nut Assembly | |
|--------|-------------------------------------|---------------|------------------|----------------------|-----------------|------------------------|------------------|
| | | Part No. | Description | Part No. | Description | Part No. | Description |
| 204 | 3/4 20mm | 129291 | TB-GTEZ-012-PCR | 129537 | TB-GTEZ-04-PCR | 129967 | AN-GT-04-012-CR |
| | | 129292 | TB-GTEZ-20M-PCR | 129988 | TB-GTEZ-04M-PCR | 129980 | AN-GT-04-20M-CR |
| 205 | 1 25mm | 129293 | TB-GTEZ-100-PCR | 129538 | TB-GTEZ-05-PCR | 129968 | AN-GT-05-100-CR |
| | | 129294 | TB-GTEZ-25M-PCR | 129989 | TB-GTEZ-05M-PCR | 129981 | AN-GT-05-25M-CR |
| 206 | 1 -1/8 1 -3/16 1 -1/4 30mm | @ | TB-GTEZ-102-PCR | 129539 | TB-GTEZ-06-PCR | 129969 | AN-GT-06-102-CR |
| | | 129295 | TB-GTEZ-103-PCR | | | 129970 | AN-GT-06-103-CR |
| | | 129296 | TB-GTEZ-104S-PCR | | | 129971 | AN-GT-06-104S-CR |
| | | 129297 | TB-GTEZ-30M-PCR | | | 129990 | TB-GTEZ-06M-PCR |
| 207 | 1 -1/4 1 -3/8 1 -7/16 35mm | @ | TB-GTEZ-104-PCR | 129540 | TB-GTEZ-07-PCR | 129972 | AN-GT-07-104-CR |
| | | 129298 | TB-GTEZ-106-PCR | | | 129973 | AN-GT-07-106-CR |
| | | 129299 | TB-GTEZ-107-PCR | | | 129974 | AN-GT-07-107-CR |
| | | 129300 | TB-GTEZ-35M-PCR | 129991 | TB-GTEZ-07M-PCR | 129983 | AN-GT-07-35M-CR |

@ Assembled to order

| | | | |
|--------------------------------|------------------------|---------------------------|---------------------------|
| FEATURES/BENEFITS PAGE B1-2 | SELECTION PAGE B1-5 | INTERCHANGE PAGE B1-88 | ACCESSORIES PAGE B1-90 |
|--------------------------------|------------------------|---------------------------|---------------------------|

SELECTION/DIMENSIONS



E-Z KLEEN Mounted Bearings GTEZ NORMAL DUTY POLYMER HOUSED TAPPED BASE PILLOW BLOCKS

Bearing Quick Reference

E-Z KLEEN

GRIP TIGHT Adapter Ball Bearing

Set Screw Ball Bearing

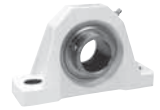
Eccentric Collar Ball Bearing

| Series | Shaft Size | Weight Lbs kg | A | B | C | D | J | L | M | N Thread Depth | R Bolt Hole Threads | S# | Z |
|--------|------------|---------------------|---------|-------|---------|-------|---------|---------|---------|----------------------|---------------------------|--------|--------|
| 204 | 3/4 | 0.88 | 1-15/32 | 3-1/4 | 1-31/64 | 2 | 2-21/32 | 1-1/2 | 1-5/16 | 13/32 | 3/8-16 | 63/64 | 1-3/64 |
| | 20 mm | 0.41 | 37.3 | 82.6 | 37.7 | 50.8 | 67.6 | 38.1 | 33.3 | 10.2 | M10x1.5 | 25.0 | 26.7 |
| 205 | 1 | 1.01 | 1-29/64 | 3-1/4 | 1-1/2 | 2 | 2-57/64 | 1-51/64 | 1-7/16 | 13/32 | 3/8-16 | 61/64 | 1-1/64 |
| | 25 mm | 0.47 | 36.9 | 82.6 | 37.7 | 50.8 | 73.3 | 45.6 | 36.5 | 10.2 | M10x1.5 | 24.2 | 25.9 |
| 206 | 1-1/8 | 1.79 | 1-39/64 | 4-3/8 | 1-37/64 | 3 | 3-3/8 | 2-5/64 | 1-11/16 | 29/64 | 7/16-14 | 1-5/64 | 1-1/8 |
| | 1-3/16 | 1.69 | | | | | | | | | | | |
| | 1-1/4 | 1.59 | | | | | | | | | | | |
| | 30 mm | 0.77 | 40.9 | 111.1 | 40.1 | 76.2 | 85.9 | 52.8 | 42.9 | 11.4 | M10x1.5 | 27.4 | 28.7 |
| 207 | 1-1/4 | 2.62 | 1-5/8 | 4-5/8 | 1-57/64 | 3-1/4 | 3-13/16 | 2-3/8 | 1-7/8 | 35/64 | 1/2-13 | 1-1/16 | 1-9/64 |
| | 1-3/8 | 2.42 | | | | | | | | | | | |
| | 1-7/16 | 2.32 | | | | | | | | | | | |
| | 35 mm | 1.11 | 41.3 | 117.5 | 48.0 | 82.6 | 97.2 | 60.3 | 47.6 | 14.0 | M12x1.75 | 27.0 | 29.1 |

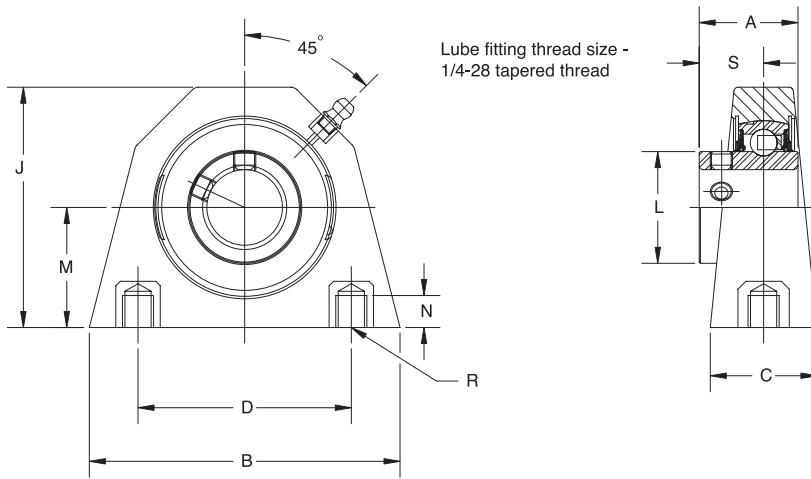
#S dimension will vary slightly depending on true shaft diameter

| | | | |
|--------------------------------|------------------------|---------------------------|---------------------------|
| FEATURES/BENEFITS PAGE B1-2 | SELECTION PAGE B1-5 | INTERCHANGE PAGE B1-88 | ACCESSORIES PAGE B1-90 |
|--------------------------------|------------------------|---------------------------|---------------------------|

SELECTIONS/DIMENSIONS



E-Z KLEEN Mounted Bearings SCEZ NORMAL DUTY POLYMER HOUSED TAPPED BASE PILLOW BLOCKS

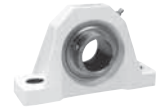


| Series | Shaft Size | With Corrosion Resistant Insert | | Standard Insert With Flingers | |
|--------|------------|---------------------------------|-------------------|-------------------------------|----------------|
| | | Part No. | Description | Part No. | Description |
| 204 | 1/2 | @ | TB-SCEZ-008L-PCR* | @ | TB-SCEZ-008L-P |
| | 5/8 | @ | TB-SCEZ-010L-PCR* | @ | TB-SCEZ-010L-P |
| | 3/4 | 127509 | TB-SCEZ-012-PCR | @ | TB-SCEZ-012-P |
| | 20 mm | 127552 | TB-SCEZ-20M-PCR | @ | TB-SCEZ-20M-P |
| 205 | 7/8 | @ | TB-SCEZ-014-PCR* | @ | TB-SCEZ-014-P |
| | 15/16 | @ | TB-SCEZ-015-PCR* | @ | TB-SCEZ-015-P |
| | 1 | 127510 | TB-SCEZ-100-PCR | @ | TB-SCEZ-100-P |
| | 25 mm | 127553 | TB-SCEZ-25M-PCR | @ | TB-SCEZ-25M-P |
| 206 | 1-1/8 | @ | TB-SCEZ-102-PCR* | @ | TB-SCEZ-102-P |
| | 1-3/16 | 127511 | TB-SCEZ-103-PCR | @ | TB-SCEZ-103-P |
| | 1-1/4 | 127512 | TB-SCEZ-104S-PCR | 058632 | TB-SCEZ-104S-P |
| | 30 mm | 127554 | TB-SCEZ-30M-PCR | @ | TB-SCEZ-30M-P |
| 207 | 1-1/4 | 127513 | TB-SCEZ-104-PCR | @ | TB-SCEZ-104-P |
| | 1-5/16 | @ | TB-SCEZ-105-PCR* | @ | TB-SCEZ-105-P |
| | 1-3/8 | 056577 | TB-SCEZ-106-PCR* | @ | TB-SCEZ-106-P |
| | 1-7/16 | 127514 | TB-SCEZ-107-PCR | @ | TB-SCEZ-107-P |
| | 35 mm | 127555 | TB-SCEZ-35M-PCR | @ | TB-SCEZ-35M-P |

@ Assembled to order
*20 piece minimum

| | | | |
|--------------------------------|------------------------|---------------------------|---------------------------|
| FEATURES/BENEFITS PAGE B1-2 | SELECTION PAGE B1-5 | INTERCHANGE PAGE B1-88 | ACCESSORIES PAGE B1-90 |
|--------------------------------|------------------------|---------------------------|---------------------------|

SELECTION/DIMENSIONS



E-Z KLEEN Mounted Bearings SCEZ NORMAL DUTY POLYMER HOUSED TAPPED BASE PILLOW BLOCKS

Bearing Quick Reference

E-Z KLEEN

GRIP TIGHT Adapter Ball Bearing

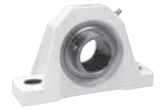
Set Screw Ball Bearing

Eccentric Collar Ball Bearing

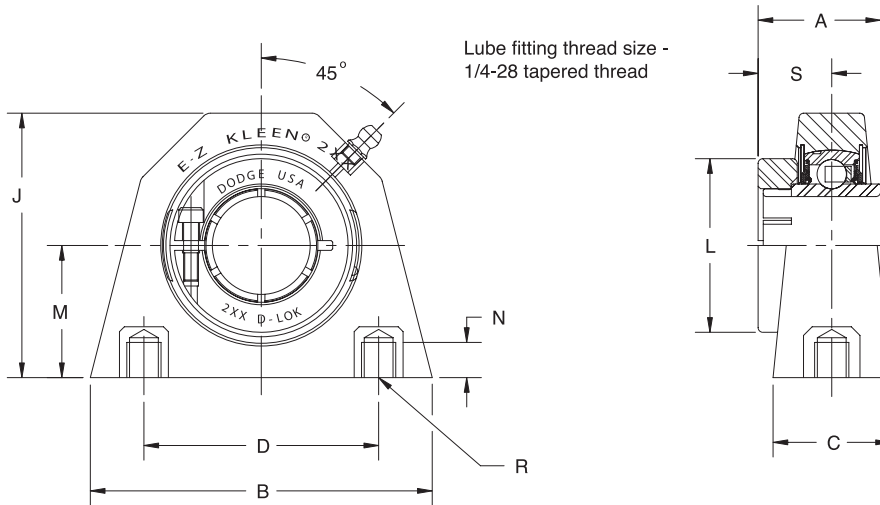
| Series | Shaft Size | Weight lbs kg | A | B | C | D | J | L | M | N Thread Depth | R Bolt Hole Threads | S |
|--------|------------|---------------------|---------|-------|---------|-------|---------|---------|---------|----------------------|---------------------------|--------|
| 204 | 1/2 | 0.74 | 1-5/32 | 3-1/4 | 1-31/64 | 2 | 2-21/32 | 1-1/8 | 1-5/16 | 13/32 | 3/8-16 | 47/64 |
| | 5/8 | 0.66 | | | | | | | | | | |
| | 3/4 | 0.60 | | | | | | | | | | |
| | 20 mm | 0.29 | 29.4 | 82.6 | 37.7 | 50.8 | 67.6 | 28.6 | 33.3 | 10.2 | M10x1.5 | 18.7 |
| 205 | 7/8 | 0.72 | 1-3/16 | 3-1/4 | 1-1/2 | 2 | 2-57/64 | 1-21/64 | 1-7/16 | 13/32 | 3/8-16 | 49/64 |
| | 15/16 | 0.64 | | | | | | | | | | |
| | 1 | 0.58 | | | | | | | | | | |
| | 25 mm | 0.28 | 30.2 | 82.6 | 38.1 | 50.8 | 73.3 | 33.7 | 36.5 | 10.2 | M10x1.5 | 19.4 |
| 206 | 1-1/8 | 1.16 | 1-25/64 | 4-3/8 | 1-37/64 | 3 | 3-3/8 | 1-37/64 | 1-11/16 | 29/64 | 7/16-14 | 29/32 |
| | 1-3/16 | 1.09 | | | | | | | | | | |
| | 1-1/4 | 1.07 | | | | | | | | | | |
| | 30 mm | 0.49 | 35.3 | 111.1 | 40.1 | 76.2 | 85.9 | 40.1 | 42.9 | 11.4 | M10x1.5 | 23.0 |
| 207 | 1-1/4 | 1.64 | 1-17/32 | 4-5/8 | 1-57/64 | 3-1/4 | 3-13/16 | 1-27/32 | 1-7/8 | 35/64 | 1/2-13 | 1-1/32 |
| | 1-5/16 | 1.58 | | | | | | | | | | |
| | 1-3/8 | 1.53 | | | | | | | | | | |
| | 35 mm | 0.72 | 38.9 | 117.5 | 48.0 | 82.6 | 97.2 | 46.8 | 47.6 | 14.0 | M12x1.75 | 26.2 |

| | | | |
|--------------------------------|------------------------|---------------------------|---------------------------|
| FEATURES/BENEFITS PAGE B1-2 | SELECTION PAGE B1-5 | INTERCHANGE PAGE B1-88 | ACCESSORIES PAGE B1-90 |
|--------------------------------|------------------------|---------------------------|---------------------------|

SELECTIONS/DIMENSIONS



E-Z KLEEN Mounted Bearings DLEZ NORMAL DUTY POLYMER HOUSED TAPPED BASE PILLOW BLOCKS

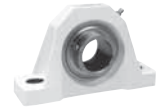


| Series | Shaft Size | With Corrosion Resistant Insert | | Standard Insert With Flingers | |
|--------|------------|---------------------------------|------------------|-------------------------------|----------------|
| | | Part No. | Description | Part No. | Description |
| 204 | 3/4 | 127587 | TB-DLEZ-012-PCR | @ | TB-DLEZ-012-P |
| | 20 mm | 127630 | TB-DLEZ-20M-PCR | @ | TB-DLEZ-20M-P |
| 205 | 7/8 | @ | TB-DLEZ-014-PCR* | @ | TB-DLEZ-014-P |
| | 15/16 | @ | TB-DLEZ-015-PCR* | @ | TB-DLEZ-015-P |
| | 1 | 127588 | TB-DLEZ-100-PCR | @ | TB-DLEZ-100-P |
| | 25 mm | 127631 | TB-DLEZ-25M-PCR | @ | TB-DLEZ-25M-P |
| 206 | 1-1/8 | @ | TB-DLEZ-102-PCR* | @ | TB-DLEZ-102-P |
| | 1-3/16 | 127589 | TB-DLEZ-103-PCR | @ | TB-DLEZ-103-P |
| | 1-1/4 | 127590 | TB-DLEZ-104S-PCR | @ | TB-DLEZ-104S-P |
| | 30 mm | 127632 | TB-DLEZ-30M-PCR | @ | TB-DLEZ-30M-P |
| 207 | 1-1/4 | 127591 | TB-DLEZ-104-PCR | @ | TB-DLEZ-104-P |
| | 1-3/8 | @ | TB-DLEZ-106-PCR* | @ | TB-DLEZ-106-P |
| | 1-7/16 | 127592 | TB-DLEZ-107-PCR | @ | TB-DLEZ-107-P |
| | 35 mm | 127633 | TB-DLEZ-35M-PCR | @ | TB-DLEZ-35M-P |

@ Assembled to order
*20 piece minimum

| | | | |
|--------------------------------|------------------------|---------------------------|---------------------------|
| FEATURES/BENEFITS PAGE B1-2 | SELECTION PAGE B1-5 | INTERCHANGE PAGE B1-88 | ACCESSORIES PAGE B1-90 |
|--------------------------------|------------------------|---------------------------|---------------------------|

SELECTION/DIMENSIONS



E-Z KLEEN Mounted Bearings DLEZ NORMAL DUTY POLYMER HOUSED TAPPED BASE PILLOW BLOCKS

Bearing Quick Reference

E-Z KLEEN

GRIP TIGHT Adapter Ball Bearing

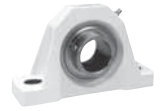
Set Screw Ball Bearing

Eccentric Collar Ball Bearing

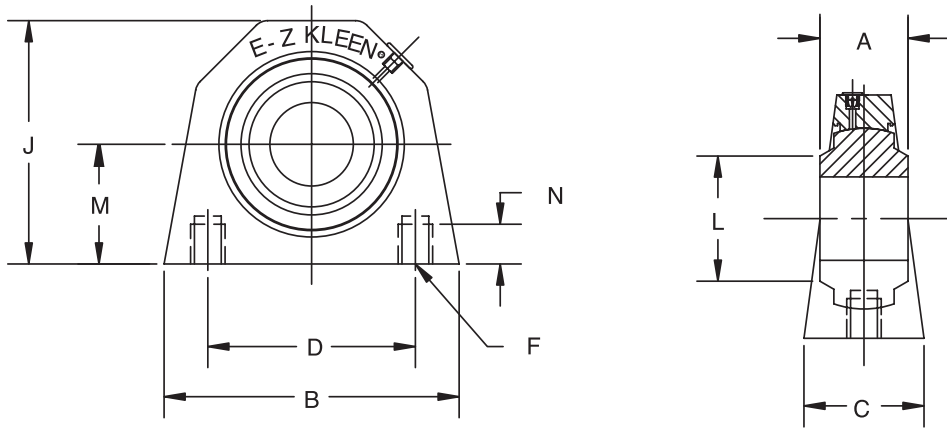
| Series | Shaft Size | Weight lbs kg | A | B | C | D | J | L | M | N Thread Depth | R Bolt Hole Threads | S |
|--------|-----------------------------------|------------------------------|----------------|----------------|-----------------|---------------|-----------------|-----------------|----------------|----------------------|---------------------------|----------------|
| 204 | 3/4 20 mm | 0.88 0.41 | 1-9/32 32.5 | 3-1/4 82.6 | 1-31/64 37.7 | 2 50.8 | 2-21/32 67.6 | 1-45/64 43.3 | 1-5/16 33.3 | 13/32 10.2 | 3/8-16 M10x1.5 | 25/32 19.8 |
| | 7/8 15/16 1 25 mm | 1.12 1.11 1.01 0.47 | 1-7/16 36.5 | 3-1/4 82.6 | 1-1/2 38.1 | 2 50.8 | 2-57/64 73.3 | 2 50.8 | 1-7/16 36.5 | 13/32 10.2 | 3/8-16 M10x1.5 | 7/8 22.2 |
| 206 | 1-1/8 1-3/16 | 1.79 1.69 | 1-9/16 | 4-3/8 | 1-37/64 | 3 | 3-3/8 | 2-7/32 | 1-11/16 | 29/64 | 7/16-14 | 15/16 |
| | 1-1/4 30 mm | 1.59 0.77 | 39.7 | 111.1 | 40.1 | 76.2 | 85.9 | 56.4 | 42.9 | 11.4 | M10x1.5 | 23.8 |
| | 1-1/4 1-3/8 1-7/16 35 mm | 2.62 2.42 2.32 1.11 | 1-3/4 44.5 | 4-5/8 117.5 | 1-57/64 48.0 | 3-1/4 82.6 | 3-13/16 97.2 | 2-11/16 68.3 | 1-7/8 47.6 | 35/64 14.0 | 1/2-13 M12x1.75 | 1-1/16 27.0 |

| | | | |
|--------------------------------|------------------------|---------------------------|---------------------------|
| FEATURES/BENEFITS PAGE B1-2 | SELECTION PAGE B1-5 | INTERCHANGE PAGE B1-88 | ACCESSORIES PAGE B1-90 |
|--------------------------------|------------------------|---------------------------|---------------------------|

SELECTIONS/DIMENSIONS



E-Z KLEEN Mounted Bearings PSEZ POLYMER SLEEVE POLYMER HOUSED TAPPED BASE PILLOW BLOCKS



| Series | Shaft Size | Part No. | Description |
|--------|------------|---------------|----------------|
| 204 | 3/4 | 034710 | TB-PSEZ-012-P |
| | 20mm | 034755 | TB-PSEZ-20M-P* |
| 205 | 1 | 034711 | TB-PSEZ-100-P |
| | 25mm | 034756 | TB-PSEZ-25M-P* |
| 206 | 1-3/16 | 034712 | TB-PSEZ-103-P |
| | 1-1/4 | 034713 | TB-PSEZ-104S-P |
| | 30mm | 034757 | TB-PSEZ-30M-P* |
| 207 | 1-1/4 | 034714 | TB-PSEZ-104-P |
| | 1-7/16 | 034715 | TB-PSEZ-107-P |
| | 35mm | 034758 | TB-PSEZ-35M-P* |

* Made to Order

| | | | |
|--------------------------------|------------------------|---------------------------|---------------------------|
| FEATURES/BENEFITS PAGE B1-2 | SELECTION PAGE B1-5 | INTERCHANGE PAGE B1-88 | ACCESSORIES PAGE B1-90 |
|--------------------------------|------------------------|---------------------------|---------------------------|

SELECTION/DIMENSIONS



E-Z KLEEN Mounted Bearings

PSEZ POLYMER SLEEVE POLYMER HOUSED TAPPED BASE PILLOW BLOCKS

Bearing Quick Reference

E-Z KLEEN

GRIP TIGHT Adapter Ball Bearing

Set Screw Ball Bearing

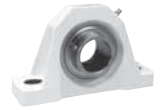
Eccentric Collar Ball Bearing

| Series | Shaft Size | Weight lbs kg | A | B | C | D | J | L | M | N Thread Depth | R Bolt Hole Threads |
|--------|-------------------------|----------------------|----------------|----------------|-----------------|---------------|-----------------|-----------------|-----------------|----------------------|---------------------------|
| 204 | 3/4 20mm | 0.53 0.24 | 1 25.4 | 3-1/4 82.6 | 1-31/64 37.7 | 2 50.8 | 2-21/32 67.6 | 1-5/16 33.3 | 1-5/16 33.3 | 13/32 10.2 | 3/8-16 M10x1.5 |
| 205 | 1 25mm | 0.46 0.21 | 1-1/16 27.0 | 3-1/4 82.6 | 1-1/2 38.1 | 2 50.8 | 2-57/64 73.3 | 1-7/16 36.5 | 1-7/16 36.5 | 13/32 10.2 | 3/8-16 M10x1.5 |
| 206 | 1-3/16 1-1/4 30mm | 0.85 0.84 0.39 | 1-3/16 30.2 | 4-3/8 111.1 | 1-37/64 40.1 | 3 76.2 | 3-3/8 85.9 | 1-11/16 42.9 | 1-11/16 42.9 | 29/64 11.4 | 7/16-14 M10x1.5 |
| 207 | 1-1/4 1-7/16 35mm | 1.02 0.97 0.46 | 1-5/16 33.3 | 4-5/8 117.5 | 1-57/64 48 | 3-1/4 82.6 | 3-13/16 96.8 | 2 50.8 | 1-7/8 47.6 | 35/64 14.0 | 1/2-13 M12x1.75 |

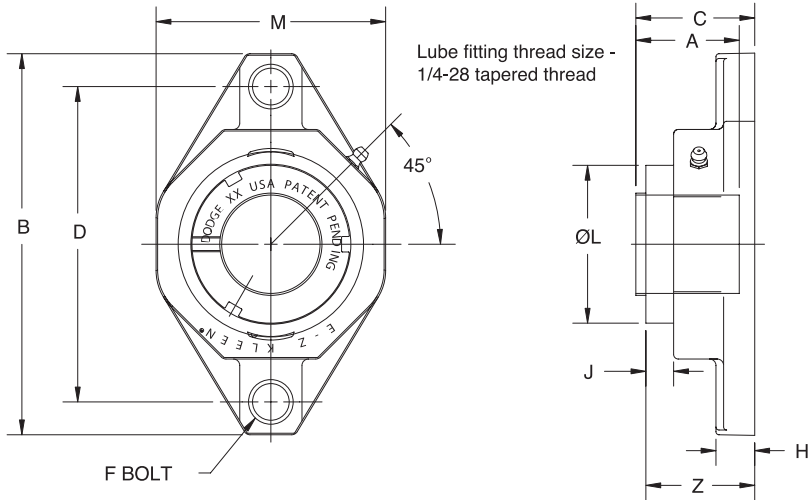
* Made to order

| | | | |
|--------------------------------|------------------------|---------------------------|---------------------------|
| FEATURES/BENEFITS PAGE B1-2 | SELECTION PAGE B1-5 | INTERCHANGE PAGE B1-88 | ACCESSORIES PAGE B1-90 |
|--------------------------------|------------------------|---------------------------|---------------------------|

SELECTIONS/DIMENSIONS



E-Z KLEEN Mounted Bearings GTEZ NORMAL DUTY POLYMER HOUSED 2 BOLT FLANGE BEARINGS



| Series | Shaft Size | Complete Unit | | Unit Without Adapter | | Adapter & Nut Assembly | |
|--------|-------------------------------------|---------------|-------------------|----------------------|-----------------|------------------------|------------------|
| | | Part No. | Description | Part No. | Description | Part No. | Description |
| 204 | 3/4 20mm | 129339 | F2B-GTEZ-012-PCR | 129548 | F2B-GTEZ-04-PCR | 129967 | AN-GT-04-012-CR |
| | | 129340 | F2B-GTEZ-20M-PCR | | | 129980 | AN-GT-04-20M-CR |
| 205 | 1 25mm | 129341 | F2B-GTEZ-100-PCR | 129549 | F2B-GTEZ-05-PCR | 129968 | AN-GT-05-100-CR |
| | | 129342 | F2B-GTEZ-25M-PCR | | | 129981 | AN-GT-05-25M-CR |
| 206 | 1 -1/8 1 -3/16 1 -1/4 30mm | @ | F2B-GTEZ-102-PCR | 129550 | F2B-GTEZ-06-PCR | 129969 | AN-GT-06-102-CR |
| | | 129343 | F2B-GTEZ-103-PCR | | | 129970 | AN-GT-06-103-CR |
| | | 129344 | F2B-GTEZ-104S-PCR | | | 129971 | AN-GT-06-104S-CR |
| | | 129345 | F2B-GTEZ-30M-PCR | | | 129982 | AN-GT-06-30M-CR |
| 207 | 1 -1/4 1 -3/8 1 -7/16 35mm | @ | F2B-GTEZ-104-PCR | 129551 | F2B-GTEZ-07-PCR | 129972 | AN-GT-07-104-CR |
| | | 129346 | F2B-GTEZ-106-PCR | | | 129973 | AN-GT-07-106-CR |
| | | 129347 | F2B-GTEZ-107-PCR | | | 129974 | AN-GT-07-107-CR |
| | | 129348 | F2B-GTEZ-35M-PCR | | | 129983 | AN-GT-07-35M-CR |
| 208 | 1 -1/2 40mm | 129349 | F2B-GTEZ-108-PCR | 129552 | F2B-GTEZ-08-PCR | 129975 | AN-GT-08-108-CR |
| | | 129350 | F2B-GTEZ-40M-PCR | | | 129984 | AN-GT-08-40M-CR |
| 209 | 1-11/16 1 -3/4 45mm | 129351 | F2B-GTEZ-111-PCR | 129553 | F2B-GTEZ-09-PCR | 129976 | AN-GT-09-111-CR |
| | | 064147 | F2B-GTEZ-112-PCR | | | 129977 | AN-GT-09-112-CR |
| | | 129352 | F2B-GTEZ-45M-PCR | | | 129985 | AN-GT-09-45M-CR |
| 210 | 1-15/16 2 50mm | 129353 | F2B-GTEZ-115-PCR | 129554 | F2B-GTEZ-10-PCR | 129978 | AN-GT-10-115-CR |
| | | 064503 | F2B-GTEZ-200-PCR | | | 129979 | AN-GT-10-200-CR |
| | | 129354 | F2B-GTEZ-50M-PCR | | | 129986 | AN-GT-10-50M-CR |

@ Assembled to order

| | | | |
|--------------------------------|------------------------|---------------------------|---------------------------|
| FEATURES/BENEFITS PAGE B1-2 | SELECTION PAGE B1-5 | INTERCHANGE PAGE B1-88 | ACCESSORIES PAGE B1-90 |
|--------------------------------|------------------------|---------------------------|---------------------------|

SELECTION/DIMENSIONS



E-Z KLEEN Mounted Bearings

GTEZ NORMAL DUTY POLYMER HOUSED 2 BOLT FLANGE BEARINGS

Bearing Quick Reference

E-Z KLEEN

GRIP TIGHT Adapter Ball Bearing

Set Screw Ball Bearing

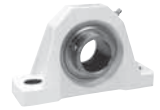
Eccentric Collar Ball Bearing

| Size | Shaft Series | Weight lbs kg | A | B | C# | D | F Bolt Dia. | H | J | L | M | Z |
|------|--------------|---------------|---------|---------|---------|---------|-------------|-------|-------|---------|---------|---------|
| 204 | 3/4 | 0.77 | 1-15/32 | 4-29/64 | 1-45/64 | 3-17/32 | 3/8 | 17/32 | 37/64 | 1-1/2 | 2-23/64 | 1-3/4 |
| | 20 mm | 0.36 | 37.3 | 113.1 | 43.3 | 89.7 | M10 | 13.5 | 14.7 | 38.1 | 59.9 | 44.5 |
| 205 | 1 | 1.01 | 1-29/64 | 4-59/64 | 1-11/16 | 3-57/64 | 3/8 | 35/64 | 17/32 | 1-51/64 | 2-23/32 | 1-3/4 |
| | 25 mm | 0.47 | 36.9 | 125.0 | 42.9 | 98.8 | M10 | 13.9 | 13.5 | 45.6 | 69.1 | 44.5 |
| 206 | 1-1/8 | 1.56 | 1-39/64 | 5-19/32 | 1-53/64 | 4-19/32 | 3/8 | 39/64 | 35/64 | 2-5/64 | 3-13/64 | 1-7/8 |
| | 1-3/16 | 1.46 | | | | | | | | | | |
| | 1-1/4 | 1.36 | | | | | | | | | | |
| | 30 mm | 0.57 | 40.9 | 142.1 | 46.4 | 116.7 | M10 | 15.5 | 13.9 | 52.8 | 81.4 | 47.6 |
| 207 | 1-1/4 | 2.18 | 1-5/8 | 6-5/16 | 1-27/32 | 5-1/8 | 1/2 | 5/8 | 35/64 | 2-3/8 | 3-45/64 | 1-59/64 |
| | 1-5/16 | 2.11 | | | | | | | | | | |
| | 1-7/16 | 2.08 | | | | | | | | | | |
| | 35 mm | 1.00 | 41.3 | 160.3 | 46.8 | 130.2 | M12 | 15.9 | 13.9 | 60.3 | 94.1 | 48.8 |
| 208 | 1-1/2 | 2.75 | 1-27/32 | 6-25/32 | 2-5/64 | 5-21/32 | 1/2 | 43/64 | 37/64 | 2-5/8 | 4-1/16 | 2-1/8 |
| | 40 mm | 1.26 | 46.8 | 172.2 | 52.8 | 143.7 | M12 | 17.1 | 14.7 | 66.7 | 103.2 | 54.0 |
| 209 | 1-5/8 | 3.11 | 1-55/64 | 7-5/64 | 2-5/64 | 5-27/32 | 9/16 | 23/32 | 19/32 | 2-55/64 | 4-5/16 | 2-11/64 |
| | 1-11/16 | 3.07 | | | | | | | | | | |
| | 1-3/4 | 3.04 | | | | | | | | | | |
| | 45 mm | 1.41 | 47.2 | 179.8 | 52.8 | 148.4 | M14 | 18.3 | 15.1 | 72.6 | 109.5 | 55.2 |
| 210 | 1-15/16 | 3.64 | 1-55/64 | 7-31/64 | 2-15/64 | 6-3/16 | 5/8 | 49/64 | 39/64 | 3-1/8 | 4-1/2 | 2-5/16 |
| | 2 | 3.60 | | | | | | | | | | |
| | 50 mm | 1.67 | 47.2 | 190.1 | 56.8 | 157.2 | M16 | 19.4 | 15.5 | 79.4 | 114.3 | 58.8 |

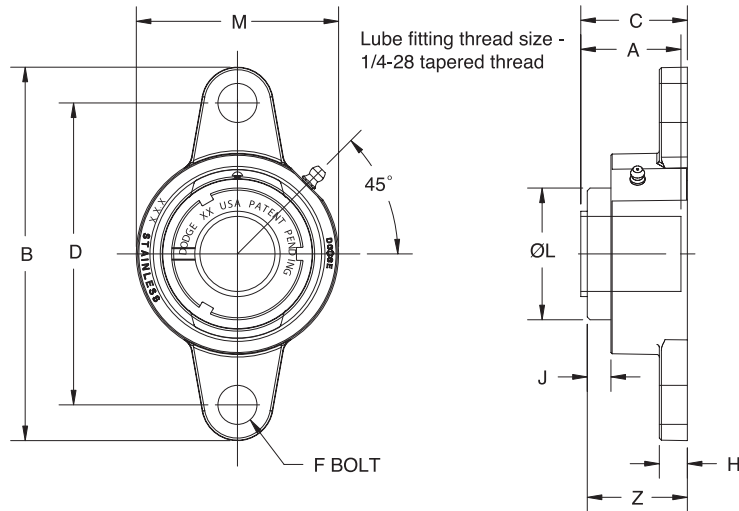
#C dimension will vary slightly depending on true shaft diameter.

| | | | |
|--------------------------------|------------------------|---------------------------|---------------------------|
| FEATURES/BENEFITS PAGE B1-2 | SELECTION PAGE B1-5 | INTERCHANGE PAGE B1-88 | ACCESSORIES PAGE B1-90 |
|--------------------------------|------------------------|---------------------------|---------------------------|

SELECTIONS/DIMENSIONS



E-Z KLEEN Mounted Bearings GTEZ NORMAL DUTY STAINLESS STEEL 2 BOLT FLANGE BEARINGS



| Series | Shaft Size | Complete Unit | | Unit Without Adapter | | Adapter & Nut Assembly | |
|--------|----------------------------------|---------------|--------------------|----------------------|------------------|------------------------|------------------|
| | | Part No. | Description | Part No. | Description | Part No. | Description |
| 204 | 3/4 20mm | 129355 | F2B-GTEZ-012-SHCR | 129573 | F2B-GTEZ-04-SHCR | 129967 | AN-GT-04-012-CR |
| | | 129356 | F2B-GTEZ-20M-SHCR | | | 129980 | AN-GT-04-20M-CR |
| 205 | 1 25mm | 129357 | F2B-GTEZ-100-SHCR | 129574 | F2B-GTEZ-05-SHCR | 129968 | AN-GT-05-100-CR |
| | | 129358 | F2B-GTEZ-25M-SHCR | | | 129981 | AN-GT-05-25M-CR |
| 206 | 1-1/8 1-3/16 1-1/4 30mm | @ | F2B-GTEZ-102-SHCR | 129575 | F2B-GTEZ-06-SHCR | 129969 | AN-GT-06-102-CR |
| | | 129359 | F2B-GTEZ-103-SHCR | | | 129970 | AN-GT-06-103-CR |
| | | 129360 | F2B-GTEZ-104S-SHCR | | | 129971 | AN-GT-06-104S-CR |
| | | 129361 | F2B-GTEZ-30M-SHCR | | | 129982 | AN-GT-06-30M-CR |
| 207 | 1-1/4 1-3/8 1-7/16 35mm | 129362 | F2B-GTEZ-104-SHCR | 129576 | F2B-GTEZ-07-SHCR | 129972 | AN-GT-07-104-CR |
| | | 065694 | F2B-GTEZ-106-SHCR | | | 129973 | AN-GT-07-106-CR |
| | | 129363 | F2B-GTEZ-107-SHCR | | | 129974 | AN-GT-07-107-CR |
| | | 129364 | F2B-GTEZ-35M-SHCR | | | 129983 | AN-GT-07-35M-CR |
| 208 | 1-1/2 40mm | 129365 | F2B-GTEZ-108-SHCR | 129577 | F2B-GTEZ-08-SHCR | 129975 | AN-GT-08-108-CR |
| | | 129366 | F2B-GTEZ-40M-SHCR | | | 129984 | AN-GT-08-40M-CR |
| 210 | 1-15/16 2 50mm | 129367 | F2B-GTEZ-115-SHCR | 129578 | F2B-GTEZ-10-SHCR | 129978 | AN-GT-10-115-CR |
| | | @ | F2B-GTEZ-200-SHCR | | | 129979 | AN-GT-10-200-CR |
| | | 129368 | F2B-GTEZ-50M-SHCR | | | 129986 | AN-GT-10-50M-CR |

@ Assembled to order

| | | | |
|--------------------------------|------------------------|---------------------------|---------------------------|
| FEATURES/BENEFITS PAGE B1-2 | SELECTION PAGE B1-5 | INTERCHANGE PAGE B1-88 | ACCESSORIES PAGE B1-90 |
|--------------------------------|------------------------|---------------------------|---------------------------|

SELECTION/DIMENSIONS



E-Z KLEEN Mounted Bearings GTEZ NORMAL DUTY STAINLESS STEEL 2 BOLT FLANGE BEARINGS

Bearing Quick Reference

E-Z KLEEN

GRIP TIGHT Adapter Ball Bearing

Set Screw Ball Bearing

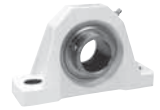
Eccentric Collar Ball Bearing

| Series | Shaft Size | Weight lbs kg | A | B | C# | D | F Bolt Dia. | H | J | L | M | Z |
|--------|------------|---------------------|---------|---------|---------|---------|-------------------|-------|-------|---------|---------|---------|
| 204 | 3/4 | 1.10 | 1-15/32 | 4-3/8 | 1-1/2 | 3-17/32 | 3/8 | 21/64 | 39/64 | 1-1/2 | 2-3/8 | 1-9/16 |
| | 20mm | 0.49 | 37.3 | 111.1 | 38.1 | 89.7 | M10 | 8.3 | 15.5 | 38.1 | 60.3 | 39.7 |
| 205 | 1 | 1.43 | 1-29/64 | 4-57/64 | 1-35/64 | 3-57/64 | 3/8 | 23/64 | 9/16 | 1-51/64 | 2-5/8 | 1-19/32 |
| | 25mm | 0.65 | 36.9 | 124.2 | 39.3 | 98.8 | M10 | 9.1 | 14.3 | 45.6 | 66.7 | 40.5 |
| 206 | 1-1/8 | 2.21 | 1-39/64 | 5-33/64 | 1-47/64 | 4-19/32 | 3/8 | 23/64 | 35/64 | 2-5/64 | 3-1/8 | 1-25/32 |
| | 1-3/16 | 2.17 | | | | | | | | | | |
| | 1-1/4 | 2.13 | | | | | | | | | | |
| | 30mm | 0.98 | 40.9 | 140.1 | 44.1 | 116.7 | M10 | 9.1 | 13.9 | 52.8 | 79.4 | 45.2 |
| 207 | 1-1/4 | 3.12 | 1-5/8 | 6-3/16 | 1-25/32 | 5-1/8 | 1/2 | 27/64 | 35/64 | 2-3/8 | 3-1/2 | 1-55/64 |
| | 1-3/8 | 2.99 | | | | | | | | | | |
| | 1-7/16 | 2.95 | | | | | | | | | | |
| | 35mm | 1.42 | 41.3 | 157.2 | 44.8 | 130.2 | M12 | 10.7 | 13.9 | 60.3 | 88.9 | 47.2 |
| 208 | 1-1/2 | 3.91 | 1-27/32 | 6-23/32 | 1-63/64 | 5-21/32 | 1/2 | 27/64 | 37/64 | 2-5/8 | 3-27/32 | 2-1/32 |
| | 40mm | 1.77 | 46.8 | 170.7 | 50.4 | 143.7 | M12 | 10.7 | 14.7 | 66.7 | 97.6 | 51.6 |
| 210 | 1-15/16 | 4.89 | 1-55/64 | 7-31/64 | 2 | 6-3/16 | 5/8 | 31/64 | 19/32 | 3-1/8 | 4-5/16 | 2-5/64 |
| | 2 | 4.85 | | | | | | | | | | |
| | 50mm | 2.20 | 47.2 | 190.1 | 50.8 | 157.2 | M16 | 12.3 | 15.1 | 79.4 | 109.5 | 52.8 |

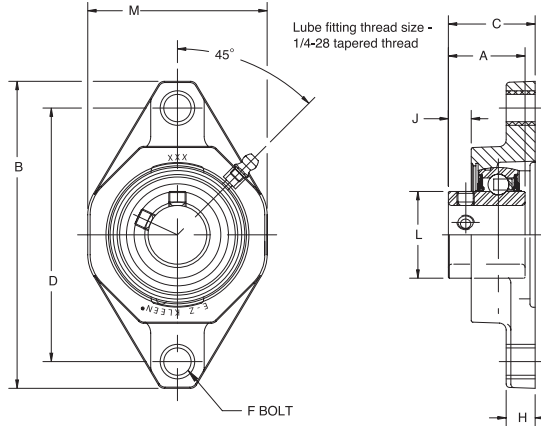
#C dimension will vary slightly depending on true shaft diameter.

| | | | |
|--------------------------------|------------------------|---------------------------|---------------------------|
| FEATURES/BENEFITS PAGE B1-2 | SELECTION PAGE B1-5 | INTERCHANGE PAGE B1-88 | ACCESSORIES PAGE B1-90 |
|--------------------------------|------------------------|---------------------------|---------------------------|

SELECTIONS/DIMENSIONS



E-Z KLEEN Mounted Bearings SCEZ NORMAL DUTY POLYMER HOUSED 2 BOLT FLANGE BEARINGS



| Series | Shaft Size | With Corrosion Resistant Insert | | Standard Insert With Flingers | |
|--------|---------------|---------------------------------|--------------------|-------------------------------|-----------------|
| | | Part No. | Description | Part No. | Description |
| 204 | 1/2 | 059823 | F2B-SCEZ-008L-PCR* | @ | F2B-SCEZ-008L-P |
| | 5/8 | 058792 | F2B-SCEZ-010L-PCR* | @ | F2B-SCEZ-010L-P |
| | 3/4 | 127524 | F2B-SCEZ-012-PCR | 058404 | F2B-SCEZ-012-P |
| | 20 mm | 127563 | F2B-SCEZ-20M-PCR | @ | F2B-SCEZ-20M-P |
| 205 | 7/8 | @ | F2B-SCEZ-014-PCR* | @ | F2B-SCEZ-014-P |
| | 15/16 | @ | F2B-SCEZ-015-PCR* | @ | F2B-SCEZ-015-P |
| | 1 | 127525 | F2B-SCEZ-100-PCR | 057524 | F2B-SCEZ-100-P |
| | 25 mm | 127564 | F2B-SCEZ-25M-PCR | @ | F2B-SCEZ-25M-P |
| 206 | 1-1/8 | 058470 | F2B-SCEZ-102-PCR* | @ | F2B-SCEZ-102-P |
| | 1-3/16 | 127526 | F2B-SCEZ-103-PCR | @ | F2B-SCEZ-103-P |
| | 1-1/4 | 127527 | F2B-SCEZ-104S-PCR | 057594 | F2B-SCEZ-104S-P |
| | 30 mm | 127565 | F2B-SCEZ-30M-PCR | @ | F2B-SCEZ-30M-P |
| 207 | 1-1/4 | 127528 | F2B-SCEZ-104-PCR | 057687 | F2B-SCEZ-104-P |
| | 1-5/16 | 049380 | F2B-SCEZ-105-PCR* | @ | F2B-SCEZ-105-P |
| | 1-3/8 | 056893 | F2B-SCEZ-106-PCR* | 056526 | F2B-SCEZ-106-P |
| | 1-7/16 | 127529 | F2B-SCEZ-107-PCR | 058941 | F2B-SCEZ-107-P |
| 35 mm | 127566 | F2B-SCEZ-35M-PCR | @ | F2B-SCEZ-35M-P | |
| 208 | 1-1/2 | 127530 | F2B-SCEZ-108-PCR | 056580 | F2B-SCEZ-108-P |
| | 1-5/8 | @ | F2B-SCEZ-110-PCR* | @ | F2B-SCEZ-110-P |
| | 40 mm | 127567 | F2B-SCEZ-40M-PCR | @ | F2B-SCEZ-40M-P |
| 209 | 1-5/8 | @ | F2B-SCEZ-110L-PCR* | @ | F2B-SCEZ-110L-P |
| | 1-11/16 | 127531 | F2B-SCEZ-111-PCR | @ | F2B-SCEZ-111-P |
| | 1-3/4 | @ | F2B-SCEZ-112-PCR | 065786 | F2B-SCEZ-112-P |
| | 45 mm | 127568 | F2B-SCEZ-45M-PCR | @ | F2B-SCEZ-45M-P |
| 210 | 1-15/16 | 127532 | F2B-SCEZ-115-PCR | 058593 | F2B-SCEZ-115-P |
| | 2 | 049835 | F2B-SCEZ-200-PCR | @ | F2B-SCEZ-200-P |
| | 50 mm | 127569 | F2B-SCEZ-50M-PCR | @ | F2B-SCEZ-50M-P |

@ Assembled to order

* 20 piece minimum

| | | | |
|--------------------------------|------------------------|---------------------------|---------------------------|
| FEATURES/BENEFITS PAGE B1-2 | SELECTION PAGE B1-5 | INTERCHANGE PAGE B1-88 | ACCESSORIES PAGE B1-90 |
|--------------------------------|------------------------|---------------------------|---------------------------|

SELECTION/DIMENSIONS

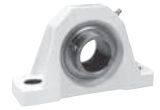


E-Z KLEEN Mounted Bearings SCEZ NORMAL DUTY POLYMER HOUSED 2 BOLT FLANGE BEARINGS

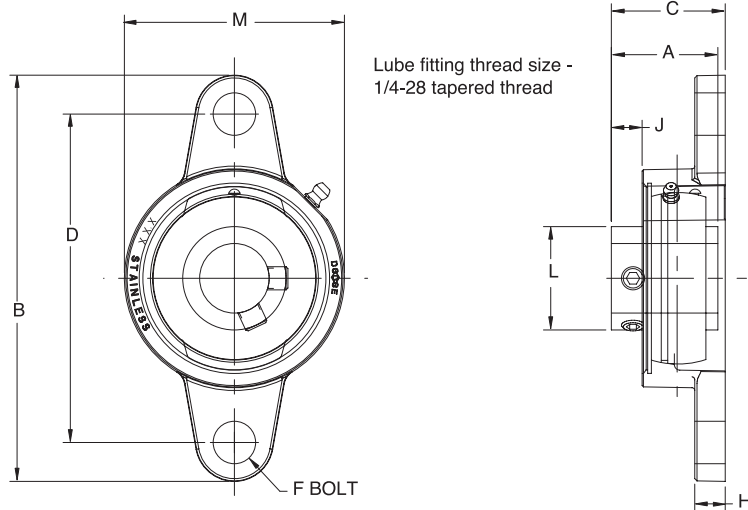
| Series | Shaft Size | Weight lbs kg | A | B | C | D | F Bolt Dia. | H | J | L | M | | | | | | | | | |
|--------|------------|---------------------|---------|---------|---------|---------|-------------|-------|-------|---------|---------|------|-------|------|-------|-----|------|------|------|-------|
| 204 | 1/2 | 0.48 | 1-5/32 | 4-29/64 | 1-27/64 | 3-17/32 | 3/8 | 17/32 | 19/64 | 1-1/8 | 2-23/64 | | | | | | | | | |
| | 5/8 | 0.44 | | | | | | | | | | | | | | | | | | |
| | 3/4 | 0.40 | | | | | | | | | | | | | | | | | | |
| | 20 mm | 0.24 | | | | | | | | | | 29.4 | 113.0 | 36.1 | 90.0 | M10 | 13.5 | 7.6 | 28.6 | 59.9 |
| 205 | 7/8 | 0.64 | 1-3/16 | 4-59/64 | 1-15/32 | 3-57/64 | 3/8 | 35/64 | 21/64 | 1-21/64 | 2-23/32 | | | | | | | | | |
| | 15/16 | 0.60 | | | | | | | | | | | | | | | | | | |
| | 1 | 0.56 | | | | | | | | | | | | | | | | | | |
| | 25 mm | 0.28 | | | | | | | | | | 30.2 | 125.0 | 37.3 | 99.0 | M10 | 13.9 | 8.4 | 33.7 | 69.1 |
| 206 | 1-1/8 | 0.88 | 1-25/64 | 5-19/32 | 1-21/32 | 4-19/32 | 3/8 | 39/64 | 27/64 | 1-37/64 | 3-13/64 | | | | | | | | | |
| | 1-3/16 | 0.86 | | | | | | | | | | | | | | | | | | |
| | 1-1/4 | 0.84 | | | | | | | | | | | | | | | | | | |
| | 30 mm | 0.39 | | | | | | | | | | 35.3 | 142.1 | 42.1 | 116.5 | M10 | 13.9 | 10.6 | 40.1 | 81.4 |
| 207 | 1-1/4 | 1.36 | 1-17/32 | 6-5/16 | 1-51/64 | 5-1/8 | 1/2 | 5/8 | 33/64 | 1-27/32 | 3-45/64 | | | | | | | | | |
| | 1-5/16 | 1.32 | | | | | | | | | | | | | | | | | | |
| | 1-3/8 | 1.28 | | | | | | | | | | | | | | | | | | |
| | 1-7/16 | 1.24 | | | | | | | | | | | | | | | | | | |
| 208 | 35 mm | 0.61 | 38.9 | 160.3 | 45.6 | 130.0 | M12 | 15.9 | 13.2 | 46.8 | 94.1 | | | | | | | | | |
| | 1-1/2 | 1.82 | 1-11/16 | 6-25/32 | 1-31/32 | 5-21/32 | 1/2 | 43/64 | 33/64 | 2-3/64 | 4-1/16 | | | | | | | | | |
| | 1-5/8 | 1.78 | | | | | | | | | | | | | | | | | | |
| | 40 mm | 0.76 | | | | | | | | | | 42.9 | 172.2 | 50.0 | 143.5 | M12 | 17.1 | 13.2 | 52.0 | 103.1 |
| 1-5/8 | 2.04 | | | | | | | | | | | | | | | | | | | |
| 209 | 1-11/16 | 2.00 | 1-23/32 | 7-5/64 | 2-1/64 | 5-27/32 | 9/16 | 23/32 | 9/16 | 2-7/32 | 4-5/16 | | | | | | | | | |
| | 1-3/4 | 1.96 | | | | | | | | | | | | | | | | | | |
| | 45 mm | 0.88 | | | | | | | | | | 43.7 | 179.8 | 51.2 | 148.5 | M14 | 18.2 | 14.1 | 56.4 | 109.5 |
| | 1-15/16 | 2.12 | | | | | | | | | | | | | | | | | | |
| 210 | 2 | 2.08 | 1-3/4 | 7-31/64 | 2-11/64 | 6-3/16 | 5/8 | 49/64 | 19/32 | 2-7/16 | 4-1/2 | | | | | | | | | |
| | 50 mm | 0.96 | | | | | | | | | | 44.5 | 190.1 | 55.2 | 157.0 | M16 | 19.4 | 14.9 | 61.9 | 114.3 |
| | | | | | | | | | | | | | | | | | | | | |

| | | | |
|--------------------------------|------------------------|---------------------------|---------------------------|
| FEATURES/BENEFITS PAGE B1-2 | SELECTION PAGE B1-5 | INTERCHANGE PAGE B1-88 | ACCESSORIES PAGE B1-90 |
|--------------------------------|------------------------|---------------------------|---------------------------|

SELECTIONS/DIMENSIONS



E-Z KLEEN Mounted Bearings SCEZ NORMAL DUTY STAINLESS STEEL 2 BOLT FLANGE BEARINGS



| Series | Shaft Size | With Corrosion Resistant Insert | | Standard Insert with Flingers | |
|---------|------------|---------------------------------|---------------------|-------------------------------|------------------|
| | | Part No. | Description | Part No. | Description |
| 204 | 1/2 | @ | F2B-SCEZ-008L-SHCR* | @ | F2B-SCEZ-008L-SH |
| | 5/8 | 062994 | F2B-SCEZ-010L-SHCR* | @ | F2B-SCEZ-010L-SH |
| | 3/4 | 127681 | F2B-SCEZ-012-SHCR | 056801 | F2B-SCEZ-012-SH |
| | 20mm | 127703 | F2B-SCEZ-20M-SHCR | @ | F2B-SCEZ-20M-SH |
| 205 | 7/8 | @ | F2B-SCEZ-014-SHCR* | @ | F2B-SCEZ-014-SH |
| | 15/16 | @ | F2B-SCEZ-015-SHCR* | 049686 | F2B-SCEZ-015-SH |
| | 1 | 127682 | F2B-SCEZ-100-SHCR | 056611 | F2B-SCEZ-100-SH |
| | 25mm | 127704 | F2B-SCEZ-25M-SHCR | @ | F2B-SCEZ-25M-SH |
| 206 | 1-1/8 | @ | F2B-SCEZ-102-SHCR | @ | F2B-SCEZ-102-SH |
| | 1-3/16 | 127683 | F2B-SCEZ-103-SHCR | 056971 | F2B-SCEZ-103-SH |
| | 1-1/4 | 127684 | F2B-SCEZ-104S-SHCR | 056612 | F2B-SCEZ-104S-SH |
| | 30mm | 127705 | F2B-SCEZ-30M-SHCR | @ | F2B-SCEZ-30M-SH |
| 207 | 1-1/4 | 127685 | F2B-SCEZ-104-SHCR | 056802 | F2B-SCEZ-104-SH |
| | 1-3/8 | 056734 | F2B-SCEZ-106-SHCR* | @ | F2B-SCEZ-106-SH |
| | 1-7/16 | 127686 | F2B-SCEZ-107-SHCR | 056803 | F2B-SCEZ-107-SH |
| | 35mm | 127706 | F2B-SCEZ-35M-SHCR | @ | F2B-SCEZ-35M-SH |
| 208 | 1-1/2 | 127687 | F2B-SCEZ-108-SHCR | 056804 | F2B-SCEZ-108-SH |
| | 1-5/8 | 068283 | F2B-SCEZ-110-SHCR | ---- | ----- |
| | 40mm | 127707 | F2B-SCEZ-40M-SHCR | @ | F2B-SCEZ-40M-SH |
| | 210 | 1-11/16 | @ | F2B-SCMEZ-111-SHCR* | 056552 |
| 1-15/16 | | 127688 | F2B-SCEZ-115-SHCR | 056805 | F2B-SCEZ-115-SH |
| 2 | | 062913 | F2B-SCEZ-200-SHCR | 056964 | F2B-SCEZ-200-SH |
| 50mm | | 127708 | F2B-SCEZ-50M-SHCR | @ | F2B-SCEZ-50M-SH |

@ Assembled to order

*20 piece minimum

| | | | |
|--------------------------------|------------------------|---------------------------|---------------------------|
| FEATURES/BENEFITS PAGE B1-2 | SELECTION PAGE B1-5 | INTERCHANGE PAGE B1-88 | ACCESSORIES PAGE B1-90 |
|--------------------------------|------------------------|---------------------------|---------------------------|

SELECTION/DIMENSIONS



E-Z KLEEN Mounted Bearings SCEZ NORMAL DUTY STAINLESS STEEL 2 BOLT FLANGE BEARINGS

Bearing Quick Reference

E-Z KLEEN

GRIP TIGHT Adapter Ball Bearing

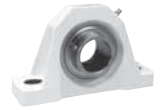
Set Screw Ball Bearing

Eccentric Collar Ball Bearing

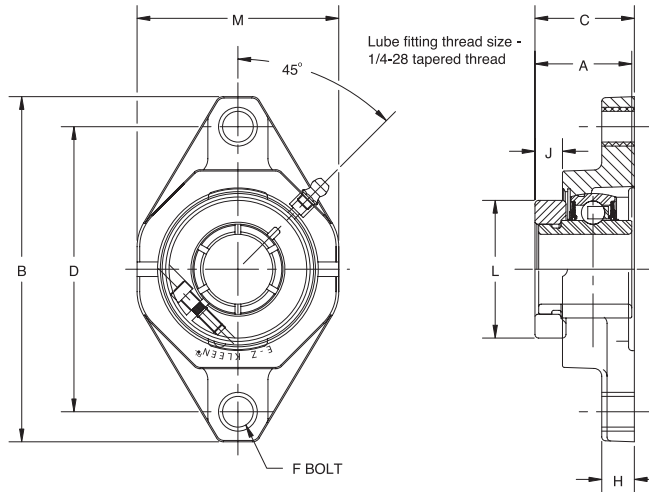
| Series | Shaft Size | Weight lbs kg | A | B | C | D | F Bolt Dia. | H | J | L | M |
|--------|------------|---------------------|---------|---------|---------|---------|-------------|-------|-------|---------|---------|
| 204 | 1/2 | 1.04 | 1-5/32 | 4-3/8 | 1-1/4 | 3-17/32 | 3/8 | 21/64 | 11/32 | 1-1/8 | 2-3/8 |
| | 5/8 | 0.99 | | | | | | | | | |
| | 3/4 | 0.95 | | | | | | | | | |
| | 20mm | 0.42 | 29.4 | 111.1 | 31.8 | 89.7 | M10 | 8.3 | 8.7 | 28.6 | 60.3 |
| 205 | 7/8 | 1.25 | 1-3/16 | 4-57/64 | 1-11/32 | 3-57/64 | 3/8 | 23/64 | 3/8 | 1-21/64 | 2-5/8 |
| | 15/16 | 1.23 | | | | | | | | | |
| | 1 | 1.21 | | | | | | | | | |
| | 25mm | 0.55 | 30.2 | 124.2 | 34.1 | 98.8 | M10 | 9.1 | 9.5 | 33.7 | 66.7 |
| 206 | 1-1/8 | 1.95 | 1-25/64 | 5-33/64 | 1-9/16 | 4-19/32 | 3/8 | 23/64 | 27/64 | 1-37/64 | 3-1/8 |
| | 1-3/16 | 1.91 | | | | | | | | | |
| | 1-1/4 | 1.87 | | | | | | | | | |
| | 30mm | 0.87 | 35.3 | 140.1 | 39.7 | 116.7 | M10 | 9.1 | 10.7 | 40.1 | 79.4 |
| 207 | 1-1/4 | 2.64 | 1-17/32 | 6-3/16 | 1-3/4 | 5-1/8 | 1/2 | 27/64 | 17/32 | 1-27/32 | 3-1/2 |
| | 1-3/8 | 2.53 | | | | | | | | | |
| | 1-7/16 | 2.47 | | | | | | | | | |
| | 35mm | 1.15 | 38.9 | 157.2 | 44.5 | 130.2 | M12 | 10.7 | 13.5 | 46.8 | 88.9 |
| 208 | 1-1/2 | 3.40 | 1-11/16 | 6-23/32 | 1-7/8 | 5-21/32 | 1/2 | 27/64 | 17/32 | 2-3/64 | 3-27/32 |
| | 1-5/8 | 3.10 | | | | | | | | | |
| | 40mm | 1.50 | 42.9 | 170.7 | 47.6 | 143.7 | M12 | 10.7 | 13.5 | 52.0 | 97.6 |
| | | | | | | | | | | | |
| 210 | 1-11/16 | 4.21 | 1-3/4 | 7-31/64 | 1-61/64 | 6-3/16 | 5/8 | 31/64 | 19/32 | 2-7/16 | 4-5/16 |
| | 1-15/16 | 4.17 | | | | | | | | | |
| | 2 | 4.13 | | | | | | | | | |
| | 50mm | 1.87 | 44.5 | 190.1 | 49.6 | 157.2 | M16 | 12.3 | 15.1 | 61.9 | 109.5 |

| | | | |
|--------------------------------|------------------------|---------------------------|---------------------------|
| FEATURES/BENEFITS PAGE B1-2 | SELECTION PAGE B1-5 | INTERCHANGE PAGE B1-88 | ACCESSORIES PAGE B1-90 |
|--------------------------------|------------------------|---------------------------|---------------------------|

SELECTIONS/DIMENSIONS



E-Z KLEEN Mounted Bearings DLEZ NORMAL DUTY POLYMER HOUSED 2 BOLT FLANGE BEARINGS



| Series | Shaft Size | With Corrosion Resistant Insert | | Standard Insert With Flingers | |
|--------|------------|---------------------------------|--------------------|-------------------------------|-----------------|
| | | Part No. | Description | Part No. | Description |
| 204 | 3/4 | 127602 | F2B-DLEZ-012-PCR | @ | F2B-DLEZ-012-P |
| | 20 mm | 127641 | F2B-DLEZ-20M-PCR | @ | F2B-DLEZ-20M-P |
| 205 | 7/8 | @ | F2B-DLEZ-014-PCR* | @ | F2B-DLEZ-014-P |
| | 15/16 | @ | F2B-DLEZ-015-PCR* | @ | F2B-DLEZ-015-P |
| | 1 | 127603 | F2B-DLEZ-100-PCR | @ | F2B-DLEZ-100-P |
| | 25 mm | 127642 | F2B-DLEZ-25M-PCR | @ | F2B-DLEZ-25M-P |
| 206 | 1-1/8 | @ | F2B-DLEZ-102-PCR* | @ | F2B-DLEZ-102-P |
| | 1-3/16 | 127604 | F2B-DLEZ-103-PCR | @ | F2B-DLEZ-103-P |
| | 1-1/4 | 127605 | F2B-DLEZ-104S-PCR | @ | F2B-DLEZ-104S-P |
| | 30 mm | 127643 | F2B-DLEZ-30M-PCR | @ | F2B-DLEZ-30M-P |
| 207 | 1-1/4 | 127606 | F2B-DLEZ-104-PCR | @ | F2B-DLEZ-104-P |
| | 1-3/8 | @ | F2B-DLEZ-106-PCR* | @ | F2B-DLEZ-106-P |
| | 1-7/16 | 127607 | F2B-DLEZ-107-PCR | @ | F2B-DLEZ-107-P |
| | 35 mm | 127644 | F2B-DLEZ-35M-PCR | @ | F2B-DLEZ-35M-P |
| 208 | 1-1/2 | 127608 | F2B-DLEZ-108-PCR | @ | F2B-DLEZ-108-P |
| | 40 mm | 127645 | F2B-DLEZ-40M-PCR | @ | F2B-DLEZ-40M-P |
| 209 | 1-5/8 | @ | F2B-DLEZ-110L-PCR* | @ | F2B-DLEZ-110L-P |
| | 1-11/16 | 127609 | F2B-DLEZ-111-PCR | @ | F2B-DLEZ-111-P |
| | 1-3/4 | @ | F2B-DLEZ-112-PCR* | @ | F2B-DLEZ-112-P |
| | 45 mm | 127646 | F2B-DLEZ-45M-PCR | @ | F2B-DLEZ-45M-P |
| 210 | 1-15/16 | 127610 | F2B-DLEZ-115-PCR | @ | F2B-DLEZ-115-P |
| | 2 | 058515 | F2B-DLEZ-200-PCR | @ | F2B-DLEZ-200-P |
| | 50 mm | 127647 | F2B-DLEZ-50M-PCR | @ | F2B-DLEZ-50M-P |

@ Assembled to order

*20 piece minimum

| | | | |
|--------------------------------|------------------------|---------------------------|---------------------------|
| FEATURES/BENEFITS PAGE B1-2 | SELECTION PAGE B1-5 | INTERCHANGE PAGE B1-88 | ACCESSORIES PAGE B1-90 |
|--------------------------------|------------------------|---------------------------|---------------------------|

SELECTION/DIMENSIONS



E-Z KLEEN Mounted Bearings DLEZ NORMAL DUTY POLYMER HOUSED 2 BOLT FLANGE BEARINGS

Bearing Quick Reference

E-Z KLEEN

GRIP TIGHT Adapter Ball Bearing

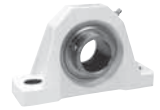
Set Screw Ball Bearing

Eccentric Collar Ball Bearing

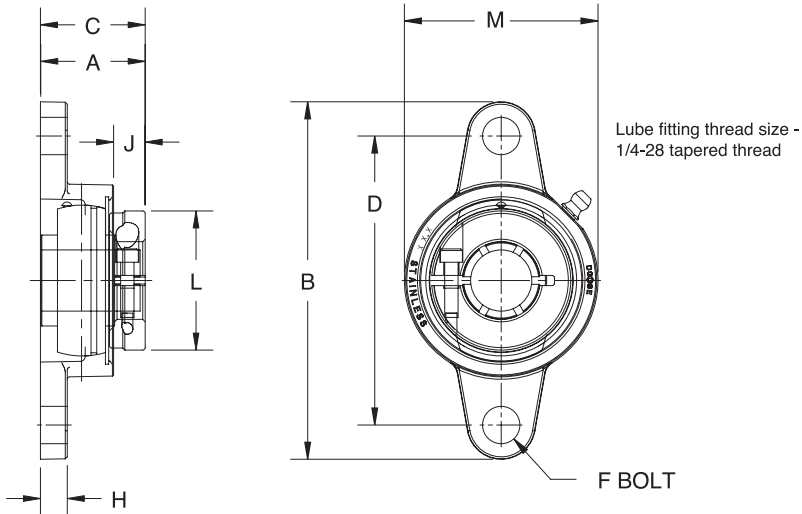
| Series | Shaft Size | Weight lbs kg | A | B | C | D | F Bolt Dia. | H | J | L | M |
|--------|------------|---------------------|--------|---------|---------|---------|-------------------|-------|-------|---------|---------|
| 204 | 3/4 | 0.77 | 1-9/32 | 4-29/64 | 1-15/32 | 3-17/32 | 3/8 | 17/32 | 23/64 | 1-45/64 | 2-23/64 |
| | 20 mm | 0.36 | 32.5 | 113.0 | 37.3 | 90.0 | M10 | 13.5 | 9.1 | 43.3 | 59.9 |
| 205 | 7/8 | 1.09 | 1-7/16 | 4-59/64 | 1-37/64 | 3-57/64 | 3/8 | 35/64 | 7/16 | 2 | 2-23/32 |
| | 15/16 | 1.05 | | | | | | | | | |
| | 1 | 1.01 | | | | | | | | | |
| 206 | 25 mm | 0.47 | 36.5 | 125.0 | 40.1 | 99.0 | M10 | 13.9 | 11.1 | 50.8 | 69.1 |
| | 1-1/8 | 1.56 | 1-9/16 | 5-19/32 | 1-11/16 | 4-19/32 | 3/8 | 39/64 | 29/64 | 2-7/32 | 3-13/64 |
| | 1-3/16 | 1.46 | | | | | | | | | |
| 1-1/4 | 1.36 | | | | | | | | | | |
| 207 | 30 mm | 0.57 | 39.7 | 142.1 | 42.9 | 116.5 | M10 | 13.9 | 11.5 | 56.4 | 81.4 |
| | 1-1/4 | 2.18 | 1-3/4 | 6-5/16 | 1-53/64 | 5-1/8 | 1/2 | 5/8 | 35/64 | 2-11/16 | 3-45/64 |
| | 1-3/8 | 2.11 | | | | | | | | | |
| 1-7/16 | 2.08 | | | | | | | | | | |
| 208 | 35 mm | 1.00 | 44.5 | 160.3 | 46.4 | 130.0 | M12 | 15.9 | 13.9 | 68.3 | 94.1 |
| | 1-1/2 | 2.75 | 2 | 6-25/32 | 2-1/8 | 5-21/32 | 1/2 | 43/64 | 11/16 | 2-47/64 | 4-1/16 |
| | 40 mm | 1.26 | | | | | | | | | |
| | | 50.8 | 172.2 | 54.0 | 143.5 | M12 | 17.1 | 17.5 | 69.5 | 103.1 | |
| 209 | 1-5/8 | 3.11 | 2 | 7-5/64 | 2-9/64 | 5-27/32 | 9/16 | 23/32 | 11/16 | 2-63/64 | 4-5/16 |
| | 1-11/16 | 3.07 | | | | | | | | | |
| | 1-3/4 | 3.04 | | | | | | | | | |
| 210 | 45 mm | 1.41 | 50.8 | 179.8 | 54.4 | 148.5 | M14 | 18.2 | 17.5 | 75.8 | 109.5 |
| | 1-15/16 | 3.64 | 2-3/32 | 7-31/64 | 2-23/64 | 6-3/16 | 5/8 | 49/64 | 25/32 | 3-15/64 | 4-1/2 |
| | 2 | 3.60 | | | | | | | | | |
| 50 mm | 1.67 | 53.2 | 190.1 | 59.9 | 157.0 | M16 | 19.4 | 19.8 | 82.1 | 114.3 | |

| | | | |
|--------------------------------|------------------------|---------------------------|---------------------------|
| FEATURES/BENEFITS PAGE B1-2 | SELECTION PAGE B1-5 | INTERCHANGE PAGE B1-88 | ACCESSORIES PAGE B1-90 |
|--------------------------------|------------------------|---------------------------|---------------------------|

SELECTIONS/DIMENSIONS



E-Z KLEEN Mounted Bearings DLEZ NORMAL DUTY STAINLESS STEEL 2 BOLT FLANGE BEARINGS



| Series | Shaft Size | Part No. | Description |
|--------|------------|---------------|---------------------|
| 204 | 3/4 | 127723 | F2B-DLEZ-012-SHCR |
| | 20mm | 127745 | F2B-DLEZ-20M-SHCR |
| 205 | 7/8 | @ | F2B-DLEZ-014-SHCR* |
| | 15/16 | @ | F2B-DLEZ-015-SHCR* |
| | 1 | 127724 | F2B-DLEZ-100-SHCR |
| | 25mm | 127746 | F2B-DLEZ-25M-SHCR |
| 206 | 1-1/8 | @ | F2B-DLEZ-102-SHCR |
| | 1-3/16 | 127725 | F2B-DLEZ-103-SHCR |
| | 1-1/4 | 127726 | F2B-DLEZ-104S-SHCR |
| | 30mm | 127747 | F2B-DLEZ-30M-SHCR |
| 207 | 1-1/4 | 127727 | F2B-DLEZ-104-SHCR |
| | 1-3/8 | @ | F2B-DLEZ-106-SHCR* |
| | 1-7/16 | 127728 | F2B-DLEZ-107-SHCR |
| | 35mm | 127748 | F2B-DLEZ-35M-SHCR |
| 208 | 1-1/2 | 127729 | F2B-DLEZ-108-SHCR |
| | 40mm | 127749 | F2B-DLEZ-40M-SHCR |
| 210 | 1-11/16 | @ | F2B-DLMEZ-111-SHCR* |
| | 1-15/16 | 127730 | F2B-DLEZ-115-SHCR |
| | 50mm | 127750 | F2B-DLEZ-50M-SHCR |

@ Assembled to order
*20 piece minimum

| | | | |
|--------------------------------|------------------------|---------------------------|---------------------------|
| FEATURES/BENEFITS PAGE B1-2 | SELECTION PAGE B1-5 | INTERCHANGE PAGE B1-88 | ACCESSORIES PAGE B1-90 |
|--------------------------------|------------------------|---------------------------|---------------------------|

SELECTION/DIMENSIONS



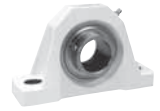
E-Z KLEEN Mounted Bearings

DLEZ NORMAL DUTY STAINLESS STEEL 2 BOLT FLANGE BEARINGS

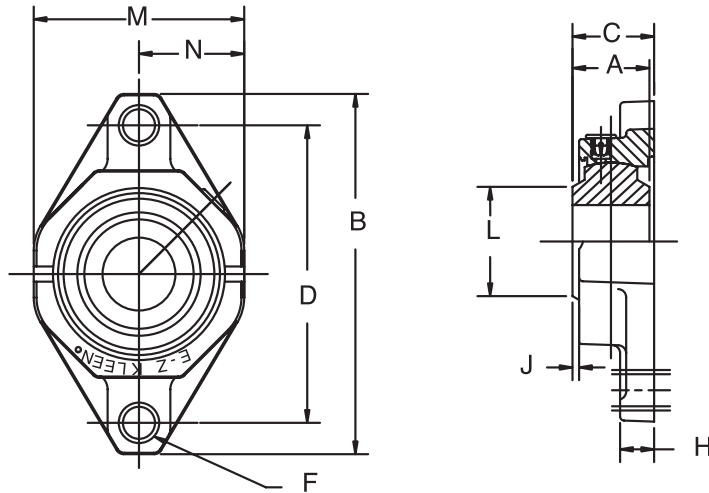
| Series | Shaft Size | Weight lbs kg | A | B | C | D | F Bolt Dia. | H | J | L | M |
|--------|------------|---------------------|--------|---------|---------|---------|-------------------|-------|-------|---------|--------|
| 204 | 3/4 | 1.10 | 1-9/32 | 4-3/8 | 1-19/64 | 3-17/32 | 3/8 | 21/64 | 13/32 | 1-45/64 | 2-3/8 |
| | 20mm | 0.49 | 32.5 | 111.1 | 32.9 | 89.7 | M10 | 8.3 | 10.3 | 43.3 | 60.3 |
| 205 | 7/8 | 1.51 | 1-7/16 | 4-57/64 | 1-29/64 | 3-57/64 | 3/8 | 23/64 | 31/64 | 2 | 2-5/8 |
| | 15/16 | 1.47 | | | | | | | | | |
| | 1 | 1.43 | | | | | | | | | |
| 206 | 1-1/8 | 2.21 | 1-9/16 | 5-33/64 | 1-19/32 | 4-19/32 | 3/8 | 23/64 | 29/64 | 2-7/32 | 3-1/8 |
| | 1-3/16 | 2.17 | | | | | | | | | |
| | 1-1/4 | 2.13 | | | | | | | | | |
| 207 | 30mm | 0.98 | 1-3/4 | 6-3/16 | 1-25/32 | 5-1/8 | 1/2 | 27/64 | 9/16 | 2-11/16 | 3-1/2 |
| | 1-1/4 | 3.12 | | | | | | | | | |
| | 1-3/8 | 2.99 | | | | | | | | | |
| 208 | 1-7/16 | 2.95 | 2-3/32 | 7-31/64 | 2-9/64 | 6-3/16 | 5/8 | 31/64 | 25/32 | 3-15/64 | 4-5/16 |
| | 35mm | 1.42 | | | | | | | | | |
| | 1-1/2 | 3.91 | | | | | | | | | |
| 210 | 40mm | 1.77 | 53.2 | 190.1 | 54.4 | 157.2 | M12 | 10.7 | 17.5 | 69.5 | 97.6 |
| | 1-11/16 | 4.89 | | | | | | | | | |
| 210 | 1-15/16 | 4.85 | 53.2 | 190.1 | 54.4 | 157.2 | M16 | 12.3 | 19.8 | 82.2 | 109.5 |
| | 50mm | 2.20 | | | | | | | | | |

| | | | |
|--------------------------------|------------------------|---------------------------|---------------------------|
| FEATURES/BENEFITS PAGE B1-2 | SELECTION PAGE B1-5 | INTERCHANGE PAGE B1-88 | ACCESSORIES PAGE B1-90 |
|--------------------------------|------------------------|---------------------------|---------------------------|

SELECTIONS/DIMENSIONS



E-Z KLEEN Mounted Bearings PSEZ POLYMER SLEEVE POLYMER HOUSED 2 BOLT FLANGE BEARINGS



| Series | Shaft Size | Part No. | Description |
|--------|------------|---------------|-----------------|
| 204 | 3/4 | 034726 | F2B-PSEZ-012-P |
| | 20mm | 034766 | F2B-PSEZ-20M-P |
| 205 | 1 | 034727 | F2B-PSEZ-100-P |
| | 25mm | 034767 | F2B-PSEZ-25M-P |
| 206 | 1-3/6 | 034728 | F2B-PSEZ-103-P |
| | 1-1/4 | 034729 | F2B-PSEZ-104S-P |
| | 30mm | 034768 | F2B-PSEZ-30M-P |
| 207 | 1-1/4 | 034730 | F2B-PSEZ-104-P |
| | 1-7/16 | 034731 | F2B-PSEZ-107-P |
| | 35mm | 034769 | F2B-PSEZ-35M-P |
| 208 | 1-1/2 | 034732 | F2B-PSEZ-108-P |
| | 40mm | 034770 | F2B-PSEZ-40M-P |
| 210 | 1-15/16 | 034735 | F2B-PSEZ-115-P |
| | 50mm | 034772 | F2B-PSEZ-50M-P |

| | | | |
|--------------------------------|------------------------|---------------------------|---------------------------|
| FEATURES/BENEFITS PAGE B1-2 | SELECTION PAGE B1-5 | INTERCHANGE PAGE B1-88 | ACCESSORIES PAGE B1-90 |
|--------------------------------|------------------------|---------------------------|---------------------------|

SELECTION/DIMENSIONS



E-Z KLEEN Mounted Bearings PSEZ POLYMER SLEEVE POLYMER HOUSED 2 BOLT FLANGE BEARINGS

Bearing Quick Reference

E-Z KLEEN

GRIP TIGHT Adapter Ball Bearing

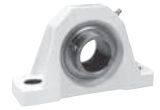
Set Screw Ball Bearing

Eccentric Collar Ball Bearing

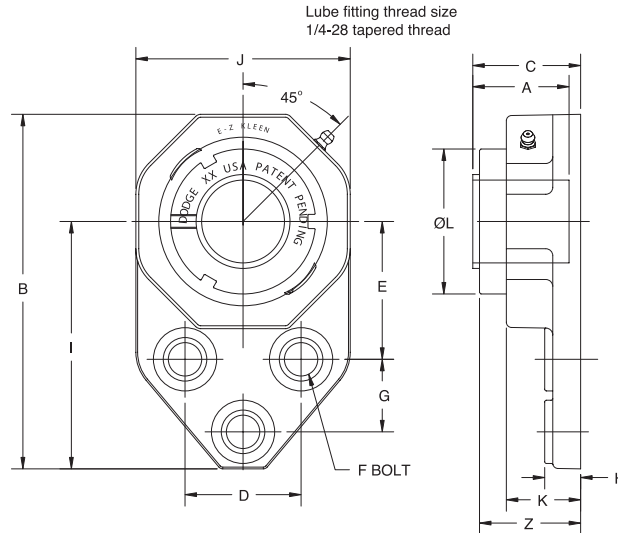
| Series | Shaft Size | Weight lb. kg | A | B | C | D | F Bolt Dia | H | J | L | M |
|--------|-------------------------|----------------------|----------------|------------------|-----------------|------------------|------------------|---------------|-------------|-----------------|-----------------|
| 204 | 3/4 20mm | 0.42 0.19 | 1 25.4 | 4-29/64 113.0 | 1-3/16 30.4 | 3-17/32 90.0 | 3/8 M10 | 17/32 13.5 | 5/64 1.9 | 1-5/16 33.3 | 2-23/64 59.9 |
| 205 | 1 25mm | 0.46 0.21 | 1-1/16 27.0 | 4-59/64 125.0 | 1-1/4 31.5 | 3-57/64 99.0 | 3/8 M10 | 35/64 13.9 | 1/8 2.6 | 1-7/16 36.5 | 2-23/64 69.1 |
| 206 | 1-3/6 1-1/4 30mm | 0.62 0.61 0.28 | 1-3/16 30.2 | 5-19/32 142.1 | 1-11/32 34.1 | 4-19/32 116.5 | 3/8 M10 | 35/64 13.9 | 7/64 2.6 | 1-11/16 42.9 | 3-13/64 81.4 |
| 207 | 1-1/4 1-7/16 35mm | 0.78 0.73 0.36 | 1-5/16 33.3 | 6-5/16 160.3 | 1-27/64 36.2 | 5-1/8 130.0 | 1/2 M12 | 5/8 15.9 | 9/64 3.7 | 2 50.8 | 3-45/64 94.1 |
| 208 | 1-1/2 40mm | 1.01 0.46 | 1-1/2 38.1 | 6-25/32 172.0 | 1-5/8 41.4 | 5-21/32 143.5 | 1/2 M12 | 43/64 17.1 | 1/4 4.6 | 2 50.8 | 4-1/16 103.1 |
| 210 | 1-15/16 50mm | 1.14 0.52 | 1-5/8 41.3 | 7-31/64 19.1 | 1-53/64 46.5 | 6-3/16 157.0 | 5/8 M16 | 49/64 19.4 | 1/4 6.2 | 2-9/16 65.1 | 4-1/2 114.3 |

| | | | |
|--------------------------------|------------------------|---------------------------|---------------------------|
| FEATURES/BENEFITS PAGE B1-2 | SELECTION PAGE B1-5 | INTERCHANGE PAGE B1-88 | ACCESSORIES PAGE B1-90 |
|--------------------------------|------------------------|---------------------------|---------------------------|

SELECTIONS/DIMENSIONS



E-Z KLEEN Mounted Bearings GTEZ NORMAL DUTY POLYMER HOUSED FLANGE BEARINGS

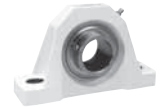


| SERIES | SHAFT SIZE | COMPLETE UNIT | | UNIT WITHOUT ADAPTER | | ADAPTER & NUT ASSEMBLY | |
|--------|------------|---------------|------------------|----------------------|----------------|------------------------|------------------|
| | | PART NO. | DESCRIPTION | PART NO. | DESCRIPTION | PART NO. | DESCRIPTION |
| 204 | 3/4 | 129627 | FB-GTEZ-012-PCR | 129555 | FB-GTEZ-04-PCR | 129967 | AN-GT-04-012-CR |
| 205 | 1 | 129629 | FB-GTEZ-100-PCR | 129556 | FB-GTEZ-05-PCR | 129968 | AN-GT-05-100-CR |
| 206 | 1-1/8 | @ | FB-GTEZ-102-PCR | 129557 | FB-GTEZ-06-PCR | 129969 | AN-GT-06-102-CR |
| | 1-3/16 | 129631 | FB-GTEZ-103-PCR | | | 129970 | AN-GT-06-103-CR |
| | 1-1/4 | 129632 | FB-GTEZ-104S-PCR | | | 129971 | AN-GT-06-104S-CR |
| 207 | 1-1/4 | 129634 | FB-GTEZ-104-PCR | 129558 | FB-GTEZ-07-PCR | 129972 | AN-GT-07-104-CR |
| | 1-3/8 | @ | FB-GTEZ-106-PCR | | | 129973 | AN-GT-07-106-CR |
| | 1-7/16 | 129635 | FB-GTEZ-107-PCR | | | 129974 | AN-GT-07-107-CR |

@ Assembled to order

| | | | |
|--------------------------------|------------------------|---------------------------|---------------------------|
| FEATURES/BENEFITS PAGE B1-2 | SELECTION PAGE B1-5 | INTERCHANGE PAGE B1-88 | ACCESSORIES PAGE B1-90 |
|--------------------------------|------------------------|---------------------------|---------------------------|

SELECTION/DIMENSIONS



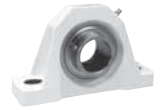
E-Z KLEEN Mounted Bearings GTEZ NORMAL DUTY POLYMER HOUSED FLANGE BEARINGS

| Series | Shaft Size | Weight lbs kg | A | B | C# | D | E | F Bolt Dia. | G | H | I | J | K | L | Z |
|--------|------------|---------------------|---------|---------|---------|-------|---------|-------------------|-------|-------|---------|---------|--------|---------|---------|
| 204 | 3/4 | 0.75 | 1-15/32 | 4-25/64 | 1-45/64 | 1-1/2 | 1-11/16 | 3/8 | 7/8 | 17/32 | 3-15/64 | 2-11/32 | 1-1/8 | 1-1/2 | 1-11/16 |
| 205 | 1 | 1.12 | 1-29/64 | 4-29/32 | 1-11/16 | 1-5/8 | 1-13/16 | 3/8 | 1-1/8 | 35/64 | 3-9/16 | 2-23/32 | 1-9/64 | 1-51/64 | 1-47/64 |
| 206 | 1-1/8 | 1.77 | 1-39/64 | 5-31/64 | 1-53/64 | 1-7/8 | 2-1/16 | 3/8 | 1-1/4 | 39/64 | 3-7/8 | 3-13/64 | 1-1/4 | 2-5/64 | 1-25/32 |
| | 1-3/16 | 1.67 | | | | | | | | | | | | | |
| | 1-1/4 | 1.57 | | | | | | | | | | | | | |
| 207 | 1-1/4 | 2.65 | 1-5/8 | 6-7/64 | 1-27/32 | 2 | 2-3/8 | 1/2 | 1-1/4 | 5/8 | 4-17/64 | 3-45/64 | 1-9/32 | 2-3/8 | 1-53/64 |
| | 1-3/8 | 2.58 | | | | | | | | | | | | | |
| | 1-7/16 | 2.55 | | | | | | | | | | | | | |

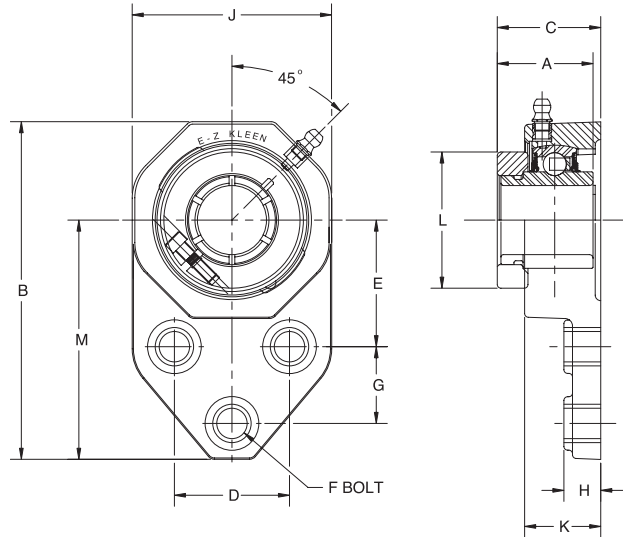
#C dimension will vary slightly depending on true shaft diameter.

| | | | |
|--------------------------------|------------------------|---------------------------|---------------------------|
| FEATURES/BENEFITS PAGE B1-2 | SELECTION PAGE B1-5 | INTERCHANGE PAGE B1-88 | ACCESSORIES PAGE B1-90 |
|--------------------------------|------------------------|---------------------------|---------------------------|

SELECTIONS/DIMENSIONS



E-Z KLEEN Mounted Bearings SCEZ NORMAL DUTY POLYMER HOUSED FLANGE BRACKETS

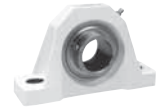


| Series | Shaft Size | With Corrosion Resistant Insert | | With Insert With Flingers | |
|--------|---------------|---------------------------------|------------------------|---------------------------|----------------------|
| | | Part No. | Description | Part No. | Description |
| 204 | 1/2 | @ | FB-SCEZ-008-PCR* | 062317 | FB-SCEZ-008-P |
| | 5/8 | @ | FB-SCEZ-010-PCR* | @ | FB-SCEZ-010-P |
| | 3/4 | 127533 | FB-SCEZ-012-PCR | 058336 | FB-SCEZ-012-P |
| | 20 mm | 127570 | <i>FB-SCEZ-20M-PCR</i> | @ | <i>FB-SCEZ-20M-P</i> |
| 205 | 7/8 | @ | FB-SCEZ-014-PCR* | @ | FB-SCEZ-014-P |
| | 15/16 | @ | FB-SCEZ-015-PCR* | @ | FB-SCEZ-015-P |
| | 1 | 127534 | FB-SCEZ-100-PCR | 057908 | FB-SCEZ-100-P |
| | 25 mm | 127521 | <i>FB-SCEZ-25M-PCR</i> | @ | <i>FB-SCEZ-25M-P</i> |
| 206 | 1-1/8 | @ | FB-SCEZ-102-PCR* | @ | FB-SCEZ-102-P |
| | 1-3/16 | 127535 | FB-SCEZ-103-PCR | @ | FB-SCEZ-103-P |
| | 1-1/4 | 127536 | FB-SCEZ-104S-PCR | 058311 | FB-SCEZ-104S-P |
| | 30 mm | 127522 | <i>FB-SCEZ-30M-PCR</i> | @ | <i>FB-SCEZ-30M-P</i> |
| 207 | 1-1/4 | 127537 | FB-SCEZ-104-PCR | @ | FB-SCEZ-104-P |
| | 1-5/16 | 058648 | FB-SCEZ-105-PCR* | @ | FB-SCEZ-105-P |
| | 1-3/8 | @ | FB-SCEZ-106-PCR* | @ | FB-SCEZ-106-P |
| | 1-7/16 | 127538 | FB-SCEZ-107-PCR | @ | FB-SCEZ-107-P |
| 35 mm | 127523 | <i>FB-SCEZ-35M-PCR</i> | @ | <i>FB-SCEZ-35M-P</i> | |

@ Assembled to order
* 20 piece minimum

| | | | |
|--------------------------------|------------------------|---------------------------|---------------------------|
| FEATURES/BENEFITS PAGE B1-2 | SELECTION PAGE B1-5 | INTERCHANGE PAGE B1-88 | ACCESSORIES PAGE B1-90 |
|--------------------------------|------------------------|---------------------------|---------------------------|

SELECTION/DIMENSIONS

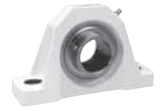


E-Z KLEEN Mounted Bearings SCEZ NORMAL DUTY POLYMER HOUSED FLANGE BRACKETS

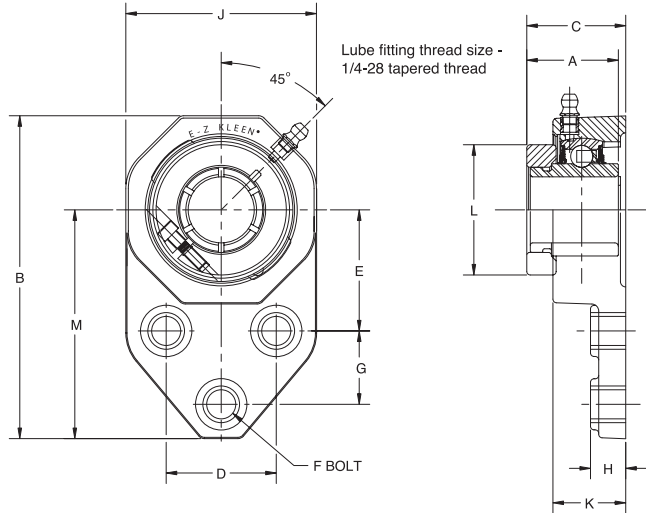
| Series | Shaft Size | Weight lbs kg | A | B | C | D | E | F Bolt Dia. | G | H | I | J | K | L |
|--------|------------|---------------------|---------|---------|---------|-------|---------|-------------------|-------|-------|---------|---------|--------|---------|
| 204 | 1/2 | 0.51 | 1-5/32 | 4-25/64 | 1-27/64 | 1-1/2 | 1-11/16 | 3/8 | 7/8 | 17/32 | 3-3/16 | 2-11/32 | 1-1/8 | 1-1/8 |
| | 5/8 | 0.49 | | | | | | | | | | | | |
| | 3/4 | 0.47 | | | | | | | | | | | | |
| | 20 mm | 0.23 | 29.4 | 111.5 | 37.3 | 38.1 | 42.9 | M10 | 22.2 | 13.5 | 81.1 | 59.4 | 28.4 | 28.6 |
| 205 | 7/8 | 0.73 | 1-3/16 | 4-29/32 | 1-15/32 | 1-5/8 | 1-13/16 | 3/8 | 1-1/8 | 35/64 | 3-17/32 | 2-23/32 | 1-9/64 | 1-21/64 |
| | 15/16 | 0.71 | | | | | | | | | | | | |
| | 1 | 0.69 | | | | | | | | | | | | |
| | 25 mm | 0.32 | 30.2 | 124.6 | 40.1 | 41.3 | 46.1 | M10 | 28.6 | 13.9 | 89.8 | 69.1 | 29.0 | 33.7 |
| 206 | 1-1/8 | 1.09 | 1-25/64 | 5-31/64 | 1-21/32 | 1-7/8 | 2-1/16 | 3/8 | 1-1/4 | 39/64 | 3-57/64 | 3-13/64 | 1-1/4 | 1-37/64 |
| | 1-3/16 | 1.07 | | | | | | | | | | | | |
| | 1-1/4 | 1.05 | | | | | | | | | | | | |
| | 30 mm | 0.48 | 35.3 | 139.2 | 42.9 | 47.6 | 52.4 | M10 | 31.8 | 15.5 | 98.6 | 81.3 | 31.8 | 40.1 |
| 207 | 1-1/4 | 1.87 | 1-17/32 | 6-7/64 | 1-51/64 | 2 | 2-3/8 | 1/2 | 1-1/4 | 5/8 | 4-15/64 | 3-45/64 | 1-9/32 | 1-27/32 |
| | 1-5/16 | 1.81 | | | | | | | | | | | | |
| | 1-3/8 | 1.76 | | | | | | | | | | | | |
| | 35 mm | 0.83 | 38.9 | 155.2 | 46.4 | 50.8 | 60.3 | M12 | 31.8 | 15.9 | 107.6 | 94.1 | 32.5 | 46.8 |

| | | | |
|--------------------------------|------------------------|---------------------------|---------------------------|
| FEATURES/BENEFITS PAGE B1-2 | SELECTION PAGE B1-5 | INTERCHANGE PAGE B1-88 | ACCESSORIES PAGE B1-90 |
|--------------------------------|------------------------|---------------------------|---------------------------|

SELECTIONS/DIMENSIONS



E-Z KLEEN Mounted Bearings DLEZ NORMAL DUTY POLYMER HOUSED FLANGE BRACKETS



| Series | Shaft Size | With Corrosion Resistant Insert | | With Insert With Flingers | |
|--------|------------|---------------------------------|------------------|---------------------------|----------------|
| | | Part No. | Description | Part No. | Description |
| 204 | 3/4 | 127611 | FB-DLEZ-012-PCR | @ | FB-DLEZ-012-P |
| | 20 mm | 127648 | FB-DLEZ-20M-PCR | @ | FB-DLEZ-20M-P |
| 205 | 7/8 | @ | FB-DLEZ-014-PCR* | @ | FB-DLEZ-014-P |
| | 15/16 | @ | FB-DLEZ-015-PCR* | @ | FB-DLEZ-015-P |
| | 1 | 127612 | FB-DLEZ-100-PCR | @ | FB-DLEZ-100-P |
| | 25 mm | 127649 | FB-DLEZ-25M-PCR | @ | FB-DLEZ-25M-P |
| 206 | 1-1/8 | @ | FB-DLEZ-102-PCR* | @ | FB-DLEZ-102-P |
| | 1-3/16 | 127613 | FB-DLEZ-103-PCR | @ | FB-DLEZ-103-P |
| | 1-1/4 | 127614 | FB-DLEZ-104S-PCR | @ | FB-DLEZ-104S-P |
| | 30 mm | 127650 | FB-DLEZ-30M-PCR | @ | FB-DLEZ-30M-P |
| 207 | 1-1/4 | 127615 | FB-DLEZ-104-PCR | @ | FB-DLEZ-104-P |
| | 1-3/8 | @ | FB-DLEZ-106-PCR* | @ | FB-DLEZ-106-P |
| | 1-7/16 | 127616 | FB-DLEZ-107-PCR | @ | FB-DLEZ-107-P |
| | 35 mm | 127651 | FB-DLEZ-35M-PCR | @ | FB-DLEZ-35M-P |

@ Assembled to order
* 20 piece minimum

| | | | |
|--------------------------------|------------------------|---------------------------|---------------------------|
| FEATURES/BENEFITS PAGE B1-2 | SELECTION PAGE B1-5 | INTERCHANGE PAGE B1-88 | ACCESSORIES PAGE B1-90 |
|--------------------------------|------------------------|---------------------------|---------------------------|

SELECTION/DIMENSIONS



E-Z KLEEN Mounted Bearings DLEZ NORMAL DUTY POLYMER HOUSED FLANGE BRACKETS

Bearing Quick Reference

E-Z KLEEN

GRIP TIGHT Adapter Ball Bearing

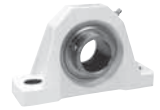
Set Screw Ball Bearing

Eccentric Collar Ball Bearing

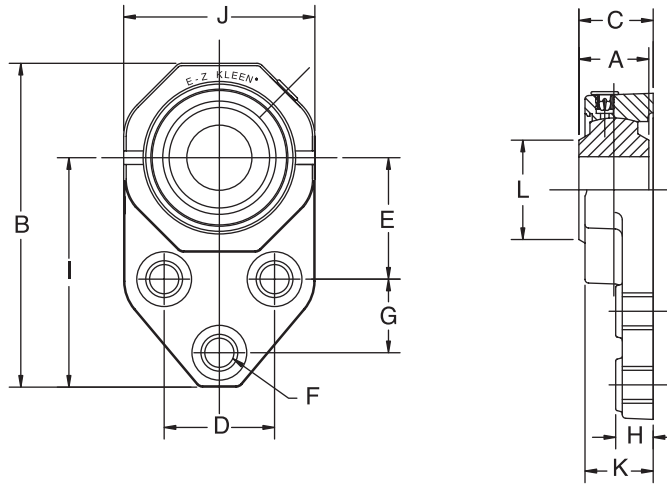
| Series | Shaft Size | Weight lbs kg | A | B | C | D | E | F Bolt Dia. | G | H | I | J | K | L |
|--------|------------|---------------------|--------|---------|---------|-------|---------|-------------------|-------|-------|---------|---------|--------|---------|
| 204 | 3/4 | 0.75 | 1-9/32 | 4-25/64 | 1-15/32 | 1-1/2 | 1-11/16 | 3/8 | 7/8 | 17/32 | 3-3/16 | 2-11/32 | 1-1/8 | 1-45/64 |
| | 20 mm | 0.35 | 32.5 | 111.5 | 37.3 | 38.1 | 42.9 | M10 | 22.2 | 13.5 | 81.1 | 59.4 | 28.4 | 43.3 |
| 205 | 7/8 | 1.32 | 1-7/16 | 4-29/32 | 1-37/64 | 1-5/8 | 1-13/16 | 3/8 | 1-1/8 | 35/64 | 3-17/32 | 2-45/64 | 1-9/64 | 2 |
| | 15/16 | 1.22 | | | | | | | | | | | | |
| | 1 | 1.12 | | | | | | | | | | | | |
| 206 | 25 mm | 0.51 | 36.5 | 124.6 | 40.1 | 41.3 | 46.1 | M10 | 28.6 | 13.9 | 89.8 | 68.8 | 29.0 | 50.8 |
| | 1-1/8 | 1.77 | 1-9/16 | 5-31/64 | 1-11/16 | 1-7/8 | 2-1/16 | 3/8 | 1-1/4 | 39/64 | 3-57/64 | 3-13/64 | 1-1/4 | 2-7/32 |
| | 1-3/16 | 1.67 | | | | | | | | | | | | |
| 207 | 1-1/4 | 1.57 | | | | | | | | | | | | |
| | 30 mm | 0.76 | 39.7 | 139.3 | 42.9 | 47.6 | 52.4 | M10 | 31.8 | 15.5 | 98.6 | 81.3 | 31.8 | 56.4 |
| | 1-1/4 | 2.65 | 1-3/4 | 6-7/64 | 1-53/64 | 2 | 2-3/8 | 1/2 | 1-1/4 | 5/8 | 4-15/64 | 3-45/64 | 1-9/32 | 2-11/16 |
| 207 | 1-3/8 | 2.58 | | | | | | | | | | | | |
| | 1-7/16 | 2.55 | | | | | | | | | | | | |
| | 35 mm | 1.22 | 44.5 | 155.2 | 46.4 | 50.8 | 60.3 | M12 | 31.8 | 15.9 | 107.6 | 94.1 | 32.5 | 68.3 |

| | | | |
|--------------------------------|------------------------|---------------------------|---------------------------|
| FEATURES/BENEFITS PAGE B1-2 | SELECTION PAGE B1-5 | INTERCHANGE PAGE B1-88 | ACCESSORIES PAGE B1-90 |
|--------------------------------|------------------------|---------------------------|---------------------------|

SELECTIONS/DIMENSIONS



E-Z KLEEN Mounted Bearings PSEZ POLYMER SLEEVE POLYMER HOUSED 3-BOLT FLANGE BRACKET



| Series | Shaft Size | Part No. | Description |
|--------|------------|---------------|----------------|
| 204 | 3/4 | 034736 | FB-PSEZ-012-P |
| | 20mm | 034773 | FB-PSEZ-20M-P |
| 205 | 1 | 034737 | FB-PSEZ-100-P |
| | 25mm | 034774 | FB-PSEZ-25M-P |
| 206 | 1-3/16 | 034738 | FB-PSEZ-103-P |
| | 1-1/4 | 034739 | FB-PSEZ-104S-P |
| | 30mm | 034775 | FB-PSEZ-30M-P |
| 207 | 1-1/4 | 034740 | FB-PSEZ-104-P |
| | 1-7/16 | 034741 | FB-PSEZ-107-P |
| | 35mm | 034776 | FB-PSEZ-35M-P |

FEATURES/BENEFITS
PAGE B1-2

SELECTION
PAGE B1-5

INTERCHANGE
PAGE B1-88

ACCESSORIES
PAGE B1-90

SELECTION/DIMENSIONS



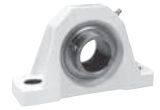
E-Z KLEEN Mounted Bearings

PSEZ POLYMER SLEEVE POLYMER HOUSED 3-BOLT FLANGE BRACKET

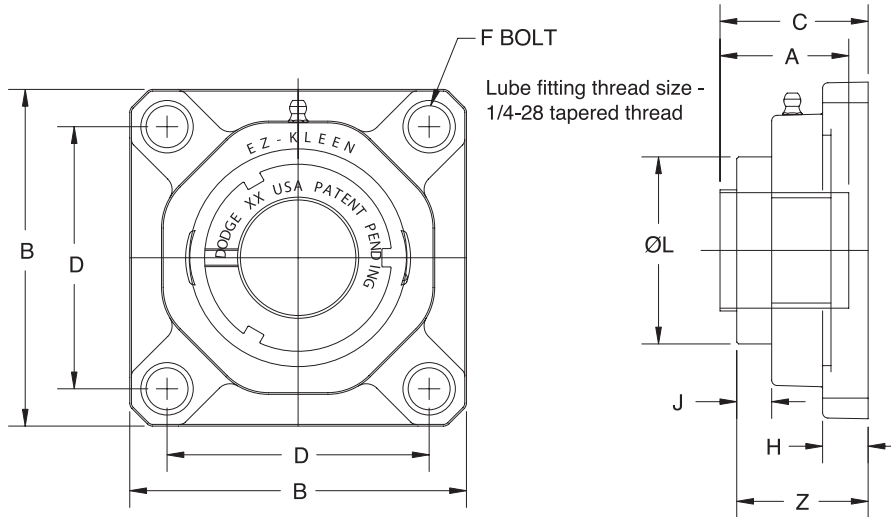
| Series | Shaft Size | Weight lbs kg | A | B | C | D | E | F | G | H | I | J | K | L |
|--------|-------------------------|----------------------|----------------|------------------|-----------------|---------------|-----------------|------------|---------------|---------------|------------------|-----------------|----------------|-----------------|
| 204 | 3/4 20mm | 0.4 0.18 | 1 25.4 | 4-25/64 111.5 | 1-3/16 12.7 | 1-1/2 38.1 | 1-11/16 42.9 | 3/8 M10 | 7/8 22.2 | 17/32 13.5 | 3-3/16 81.1 | 2-11/32 59.4 | 1-1/8 28.4 | 1-5/16 33.3 |
| 205 | 1 25mm | 0.57 0.23 | 1-1/16 27 | 4-29/32 124.7 | 1-1/4 31.5 | 1-5/8 41.3 | 1-13/16 46.1 | 3/8 M10 | 1-1/8 28.6 | 35/64 13.9 | 3-17/32 89.8 | 2-45/64 68.8 | 1-9/64 29 | 1-7/16 36.5 |
| 206 | 1-3/16 1-1/4 30mm | 0.83 0.82 0.38 | 1-3/16 30.2 | 5-31/64 139.2 | 1-11/32 34.1 | 1-7/8 47.6 | 2-1/16 52.4 | 3/8 M10 | 1-1/4 31.7 | 39/64 15.5 | 3-57/64 98.6 | 3-13/64 81.3 | 1-1/4 31.8 | 1-11/16 42.9 |
| 207 | 1-1/4 1-7/16 35mm | 1.25 1.2 0.57 | 1-5/16 33.3 | 6-7/64 155.2 | 1-27/64 36.2 | 2 50.8 | 2-3/8 60.3 | 1/2 M12 | 1-1/4 31.7 | 5/8 15.9 | 4-15/64 107.6 | 3-45/64 94.1 | 1-9/32 32.5 | 2 50.8 |

| | | | |
|--------------------------------|------------------------|---------------------------|---------------------------|
| FEATURES/BENEFITS PAGE B1-2 | SELECTION PAGE B1-5 | INTERCHANGE PAGE B1-88 | ACCESSORIES PAGE B1-90 |
|--------------------------------|------------------------|---------------------------|---------------------------|

SELECTIONS/DIMENSIONS



E-Z KLEEN Mounted Bearings GTEZ NORMAL DUTY POLYMER HOUSED 4-BOLT FLANGE BEARINGS



| Series | Shaft Size | Complete Unit | | Unit Without Adapter | | Adapter & Nut Assembly | |
|--------|--------------|---------------|-------------------|----------------------|-----------------|------------------------|------------------|
| | | Part No. | Description | Part No. | Description | Part No. | Description |
| 204 | 3/4 20 mm | 129706 | F4B-GTEZ-012-PCR | 129541 | F4B-GTEZ-04-PCR | 129967 | AN-GT-04-012-CR |
| | | 129707 | F4B-GTEZ-20M-PCR | | | 129980 | AN-GT-04-20M-CR |
| 205 | 1 25 mm | 129708 | F4B-GTEZ-100-PCR | 129542 | F4B-GTEZ-05-PCR | 129968 | AN-GT-05-100-CR |
| | | 129709 | F4B-GTEZ-25M-PCR | | | 129981 | AN-GT-05-25M-CR |
| 206 | 1-1/8 | 068687 | F4B-GTEZ-102-PCR | 129543 | F4B-GTEZ-06-PCR | 129969 | AN-GT-06-102-CR |
| | 1-3/16 | 129710 | F4B-GTEZ-103-PCR | | | 129970 | AN-GT-06-103-CR |
| | 1-1/4 | 129711 | F4B-GTEZ-104S-PCR | | | 129971 | AN-GT-06-104S-CR |
| | 30 mm | 129712 | F4B-GTEZ-30M-PCR | | | 129982 | AN-GT-06-30M-CR |
| 207 | 1-1/4 | 129713 | F4B-GTEZ-104-PCR | 129544 | F4B-GTEZ-07-PCR | 129972 | AN-GT-07-104-CR |
| | 1-3/8 | @ | F4B-GTEZ-106-PCR | | | 129973 | AN-GT-07-106-CR |
| | 1-7/16 | 129714 | F4B-GTEZ-107-PCR | | | 129974 | AN-GT-07-107-CR |
| | 35 mm | 129715 | F4B-GTEZ-35M-PCR | | | 129983 | AN-GT-07-35M-CR |
| 208 | 1-1/2 | 129716 | F4B-GTEZ-108-PCR | 129545 | F4B-GTEZ-08-PCR | 129975 | AN-GT-08-108-CR |
| | 40 mm | 129717 | F4B-GTEZ-40M-PCR | | | 129984 | AN-GT-08-40M-CR |
| 209 | 1-11/16 | 129718 | F4B-GTEZ-111-PCR | 129546 | F4B-GTEZ-09-PCR | 129976 | AN-GT-09-111-CR |
| | 1-3/4 | 064584 | F4B-GTEZ-112-PCR | | | 129977 | AN-GT-09-112-CR |
| | 45 mm | 129705 | F4B-GTEZ-45M-PCR | | | 129985 | AN-GT-09-45M-CR |
| 210 | 1-15/16 | 129719 | F4B-GTEZ-115-PCR | 129547 | F4B-GTEZ-10-PCR | 129978 | AN-GT-10-115-CR |
| | 2 50 mm | 129395 | F4B-GTEZ-200-PCR | | | 129979 | AN-GT-10-200-CR |
| | | 129720 | F4B-GTEZ-50M-PCR | | | 129986 | AN-GT-10-50M-CR |

@ Assembled to order

| | | | |
|--------------------------------|------------------------|---------------------------|---------------------------|
| FEATURES/BENEFITS PAGE B1-2 | SELECTION PAGE B1-5 | INTERCHANGE PAGE B1-88 | ACCESSORIES PAGE B1-90 |
|--------------------------------|------------------------|---------------------------|---------------------------|

SELECTION/DIMENSIONS



E-Z KLEEN Mounted Bearings GTEZ NORMAL DUTY POLYMER HOUSED 4-BOLT FLANGE BEARINGS

Bearing Quick Reference

E-Z KLEEN

GRIP TIGHT Adapter Ball Bearing

Set Screw Ball Bearing

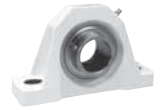
Eccentric Collar Ball Bearing

| Series | Shaft Size | Weight lbs kg | A | B | C# | D | F Bolt Dia. | H | J | L | Z |
|--------|--------------------------|---------------------|---------|---------|---------|-------|-------------|-------|-------|---------|---------|
| 204 | 3/4 | 0.50 | 1-15/32 | 3-3/8 | 1-23/32 | 2-1/2 | 3/8 | 17/32 | 35/64 | 1-1/2 | 1-25/32 |
| | 20 mm | 0.30 | 37.3 | 85.7 | 43.7 | 63.5 | M10 | 13.5 | 13.9 | 38.1 | 45.2 |
| 205 | 1 | 0.90 | 1-29/64 | 3-3/4 | 1-45/64 | 2-3/4 | 3/8 | 35/64 | 17/32 | 1-51/64 | 1-49/64 |
| | 25 mm | 0.30 | 36.9 | 95.3 | 43.3 | 69.9 | M10 | 13.9 | 13.5 | 45.6 | 44.8 |
| 206 | 1-1/8 | 1.20 | 1-39/64 | 4-1/4 | 1-55/64 | 3-1/4 | 3/8 | 39/64 | 35/64 | 2-5/64 | 1-29/32 |
| | 1-3/16 1-1/4 30 mm | 0.50 | 40.9 | 108.0 | 47.2 | 82.6 | M10 | 15.5 | 13.9 | 52.8 | 48.4 |
| 207 | 1-1/4 | 1.60 | 1-5/8 | 4-21/32 | 1-7/8 | 3-5/8 | 1/2 | 5/8 | 35/64 | 2-3/8 | 1-61/64 |
| | 1-3/8 1-7/16 35 mm | 0.70 | 41.3 | 118.3 | 47.6 | 92.1 | M12 | 15.9 | 13.9 | 60.3 | 49.6 |
| 208 | 1-1/2 | 2.00 | 1-27/32 | 5-1/8 | 2-7/64 | 4 | 1/2 | 43/64 | 37/64 | 2-5/8 | 2-5/32 |
| | 40 mm | 0.90 | 46.8 | 130.2 | 53.6 | 101.6 | M12 | 17.1 | 14.7 | 66.7 | 54.8 |
| 209 | 1-11/16 | 2.30 | 1-55/64 | 5-3/8 | 2-7/64 | 4-1/8 | 9/16 | 23/32 | 19/32 | 2-55/64 | 2-13/64 |
| | 1-3/4 45 mm | 1.00 | 47.2 | 136.5 | 53.6 | 104.8 | M14 | 18.3 | 15.1 | 72.6 | 56.0 |
| 210 | 1-15/16 | 2.30 | 1-55/64 | 5-5/8 | 2-1/4 | 4-3/8 | 5/8 | 49/64 | 39/64 | 3-1/8 | 2-11/32 |
| | 2 50 mm | 1.10 | 47.2 | 142.7 | 57.2 | 111.0 | M16 | 19.4 | 15.5 | 79.4 | 59.5 |

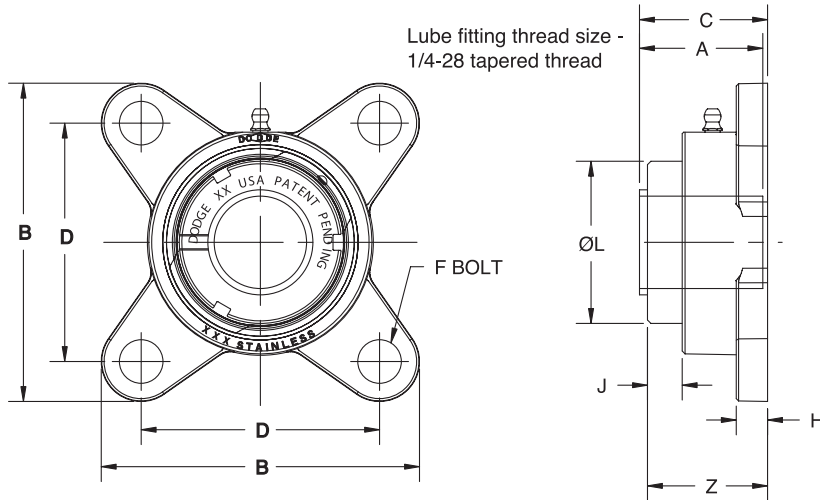
#C dimension will vary slightly depending on true shaft diameter.

| | | | |
|--------------------------------|------------------------|---------------------------|---------------------------|
| FEATURES/BENEFITS PAGE B1-2 | SELECTION PAGE B1-5 | INTERCHANGE PAGE B1-88 | ACCESSORIES PAGE B1-90 |
|--------------------------------|------------------------|---------------------------|---------------------------|

SELECTIONS/DIMENSIONS



E-Z KLEEN Mounted Bearings GTEZ NORMAL DUTY STAINLESS STEEL 4-BOLT FLANGE BEARINGS



| Series | Shaft Size | Complete Unit | | Unit Without Adapter | | Adapter & Nut Assembly | |
|--------|------------|---------------|--------------------|----------------------|------------------|------------------------|------------------|
| | | Part No. | Description | Part No. | Description | Part No. | Description |
| 204 | 3/4 | 129721 | F4B-GTEZ-012-SHCR | 129567 | F4B-GTEZ-04-SHCR | 129967 | AN-GT-04-012-CR |
| | 20mm | 129722 | F4B-GTEZ-20M-SHCR | | | 129980 | AN-GT-04-20M-CR |
| 205 | 1 | 129723 | F4B-GTEZ-100-SHCR | 129568 | F4B-GTEZ-05-SHCR | 129968 | AN-GT-05-100-CR |
| | 25mm | 129724 | F4B-GTEZ-25M-SHCR | | | 129981 | AN-GT-05-25M-CR |
| 206 | 1 -1/8 | @ | F4B-GTEZ-102-SHCR | 129569 | F4B-GTEZ-06-SHCR | 129969 | AN-GT-06-102-CR |
| | 1 -3/16 | 129725 | F4B-GTEZ-103-SHCR | | | 129970 | AN-GT-06-103-CR |
| | 1 -1/4 | 129726 | F4B-GTEZ-104S-SHCR | | | 129971 | AN-GT-06-104S-CR |
| | 30mm | 129727 | F4B-GTEZ-30M-SHCR | | | 129982 | AN-GT-06-30M-CR |
| 207 | 1 -1/4 | 129728 | F4B-GTEZ-104-SHCR | 129570 | F4B-GTEZ-07-SHCR | 129972 | AN-GT-07-104-CR |
| | 1 -3/8 | 064993 | F4B-GTEZ-106-SHCR | | | 129973 | AN-GT-07-106-CR |
| | 1 -7/16 | 129729 | F4B-GTEZ-107-SHCR | | | 129974 | AN-GT-07-107-CR |
| | 35mm | 129730 | F4B-GTEZ-35M-SHCR | | | 129983 | AN-GT-07-35M-CR |
| 208 | 1 -1/2 | 129731 | F4B-GTEZ-108-SHCR | 129571 | F4B-GTEZ-08-SHCR | 129975 | AN-GT-08-108-CR |
| | 40mm | 129732 | F4B-GTEZ-40M-SHCR | | | 129984 | AN-GT-08-40M-CR |
| 210 | 1-15/16 | 129733 | F4B-GTEZ-115-SHCR | 129572 | F4B-GTEZ-10-SHCR | 129978 | AN-GT-10-115-CR |
| | 2 | 062901 | F4B-GTEZ-200-SHCR | | | 129979 | AN-GT-10-200-CR |
| | 50mm | 129734 | F4B-GTEZ-50M-SHCR | | | 129986 | AN-GT-10-50M-CR |

@ Assembled to order

| | | | |
|--------------------------------|------------------------|---------------------------|---------------------------|
| FEATURES/BENEFITS PAGE B1-2 | SELECTION PAGE B1-5 | INTERCHANGE PAGE B1-88 | ACCESSORIES PAGE B1-90 |
|--------------------------------|------------------------|---------------------------|---------------------------|

SELECTION/DIMENSIONS



E-Z KLEEN Mounted Bearings GTEZ NORMAL DUTY STAINLESS STEEL 4-BOLT FLANGE BEARINGS

Bearing Quick Reference

E-Z KLEEN

GRIP TIGHT Adapter Ball Bearing

Set Screw Ball Bearing

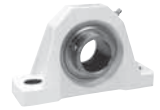
Eccentric Collar Ball Bearing

| Series | Shaft Size | Weight lbs kg | A | B | C# | D | F Bolt Dia. | H | J | L | Z |
|--------|---------------------------|---------------------|---------|---------|---------|-------|-------------------|-------|-------|---------|---------|
| 204 | 3/4 | 1.23 | 1 15/32 | 3 11/32 | 1 33/64 | 2-1/2 | 3/8 | 21/64 | 19/32 | 1 1/2 | 1-37/64 |
| | 20mm | 0.55 | 37.3 | 84.9 | 38.5 | 63.5 | M10 | 8.3 | 15.1 | 38.1 | 40.1 |
| 205 | 1 | 1.69 | 1 29/64 | 3 3/4 | 1 35/64 | 2 3/4 | 3/8 | 23/64 | 35/64 | 1 51/64 | 1-39/64 |
| | 25mm | 0.73 | 36.9 | 95.3 | 39.3 | 69.9 | M10 | 9.1 | 13.9 | 45.6 | 40.9 |
| 206 | 1 -1/8 | 2.41 | 1 39/64 | 4 5/32 | 1 47/64 | 3 1/4 | 3/8 | 23/64 | 35/64 | 2-5/64 | 1-25/32 |
| | 1 -3/16 1 -1/4 30mm | 1.07 | 40.9 | 105.6 | 44.1 | 82.6 | M10 | 9.1 | 13.9 | 52.8 | 45.2 |
| 207 | 1 -1/4 | 3.42 | 1 5/8 | 4 11/16 | 1 25/32 | 3 5/8 | 1/2 | 27/64 | 35/64 | 2-3/8 | 1-55/64 |
| | 1 -3/8 1 -7/16 35mm | 1.56 | 41.3 | 119.1 | 45.2 | 92.1 | M12 | 10.7 | 13.9 | 60.3 | 47.2 |
| 208 | 1 -1/2 | 4.21 | 1 27/32 | 5 1/16 | 1 63/64 | 4 | 1/2 | 27/64 | 37/64 | 2-5/8 | 2-1/32 |
| | 40mm | 1.91 | 46.8 | 128.6 | 50.4 | 101.6 | M12 | 10.7 | 14.7 | 66.7 | 51.6 |
| 210 | 1-15/16 | 5.33 | 1 55/64 | 5 43/64 | 2 | 4 3/8 | 5/8 | 31/64 | 19/32 | 3-1/8 | 2-5/64 |
| | 2 50mm | 2.39 | 47.2 | 144.1 | 50.8 | 111.1 | M16 | 12.3 | 15.1 | 79.4 | 52.8 |

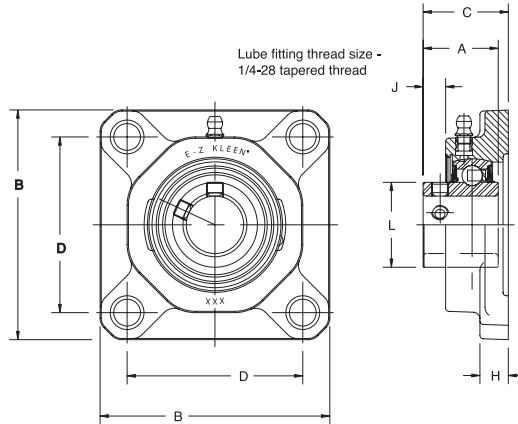
#C dimension will vary slightly depending on true shaft diameter.

| | | | |
|--------------------------------|------------------------|---------------------------|---------------------------|
| FEATURES/BENEFITS PAGE B1-2 | SELECTION PAGE B1-5 | INTERCHANGE PAGE B1-88 | ACCESSORIES PAGE B1-90 |
|--------------------------------|------------------------|---------------------------|---------------------------|

SELECTIONS/DIMENSIONS



E-Z KLEEN Mounted Bearings SCEZ NORMAL DUTY POLYMER HOUSED 4-BOLT FLANGE BEARINGS



| Series | Shaft Size | With Corrosion Resistant Insert | | With Insert With Flingers | |
|--------|---------------|---------------------------------|--------------------|---------------------------|-----------------|
| | | Part No. | Description | Part No. | Description |
| 204 | 1/2 | @ | F4B-SCEZ-008L-PCR* | @ | F4B-SCEZ-008L-P |
| | 5/8 | @ | F4B-SCEZ-010L-PCR* | @ | F4B-SCEZ-010L-P |
| | 3/4 | 127515 | F4B-SCEZ-012-PCR | 056440 | F4B-SCEZ-012-P |
| | 20 mm | 127556 | F4B-SCEZ-20M-PCR | @ | F4B-SCEZ-20M-P |
| 205 | 7/8 | 068424 | F4B-SCEZ-014-PCR* | @ | F4B-SCEZ-014-P |
| | 15/16 | @ | F4B-SCEZ-015-PCR* | @ | F4B-SCEZ-015-P |
| | 1 | 127516 | F4B-SCEZ-100-PCR | 058910 | F4B-SCEZ-100-P |
| | 25 mm | 127557 | F4B-SCEZ-25M-PCR | @ | F4B-SCEZ-25M-P |
| 206 | 1-1/8 | @ | F4B-SCEZ-102-PCR* | @ | F4B-SCEZ-102-P |
| | 1-3/16 | 127517 | F4B-SCEZ-103-PCR | @ | F4B-SCEZ-103-P |
| | 1-1/4 | 127518 | F4B-SCEZ-104S-PCR | 058594 | F4B-SCEZ-104S-P |
| | 30 mm | 127558 | F4B-SCEZ-30M-PCR | @ | F2B-SCEZ-30M-P |
| 207 | 1-1/4 | 127519 | F4B-SCEZ-104-PCR | @ | F4B-SCEZ-104-P |
| | 1-5/16 | @ | F4B-SCEZ-105-PCR* | @ | F4B-SCEZ-105-P |
| | 1-3/8 | 058294 | F4B-SCEZ-106-PCR* | 065780 | F4B-SCEZ-106-P |
| | 1-7/16 | 127520 | F4B-SCEZ-107-PCR | @ | F4B-SCEZ-107-P |
| 35 mm | 127559 | F4B-SCEZ-35M-PCR | @ | F4B-SCEZ-35M-P | |
| 208 | 1-1/2 | 127521 | F4B-SCEZ-108-PCR | 058595 | F4B-SCEZ-108-P |
| | 1-5/8 | @ | F4B-SCEZ-110-PCR* | @ | F4B-SCEZ-110-P |
| | 40 mm | 127560 | F4B-SCEZ-40M-PCR | @ | F4B-SCEZ-40M-P |
| 209 | 1-5/8 | @ | F4B-SCEZ-110L-PCR* | @ | F4B-SCEZ-110L-P |
| | 1-11/16 | 127522 | F4B-SCEZ-111-PCR | @ | F4B-SCEZ-111-P |
| | 1-3/4 | 057907 | F4B-SCEZ-112-PCR* | @ | F4B-SCEZ-112-P |
| | 45 mm | 127561 | F4B-SCEZ-45M-PCR | @ | F4B-SCEZ-45M-P |
| 210 | 1-15/16 | 127523 | F4B-SCEZ-115-PCR | @ | F4B-SCEZ-115-P |
| | 2 | 057899 | F4B-SCEZ-200-PCR | @ | F4B-SCEZ-200-P |
| | 50 mm | 127562 | F4B-SCEZ-50M-PCR | @ | F4B-SCEZ-50M-P |

@ Assembled to order

* 20 piece minimum

| | | | |
|--------------------------------|------------------------|---------------------------|---------------------------|
| FEATURES/BENEFITS PAGE B1-2 | SELECTION PAGE B1-5 | INTERCHANGE PAGE B1-88 | ACCESSORIES PAGE B1-90 |
|--------------------------------|------------------------|---------------------------|---------------------------|

SELECTION/DIMENSIONS

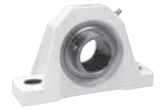


E-Z KLEEN Mounted Bearings SCEZ NORMAL DUTY POLYMER HOUSED 4-BOLT FLANGE BEARINGS

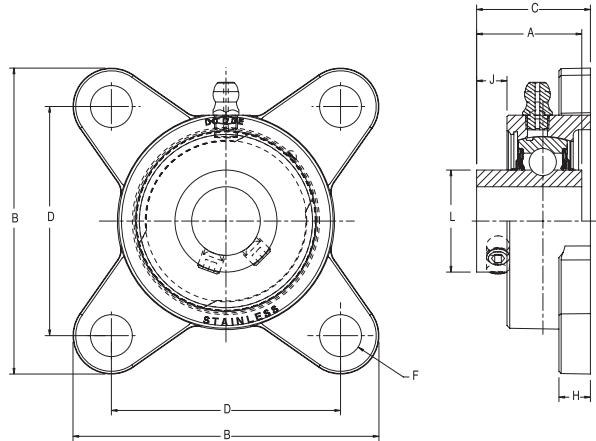
| Series | Shaft Size | Weight lbs kg | A | B | C | D | F Bolt Dia. | H | J | L |
|--------|------------|---------------------|---------|---------|---------|-------|-------------|-------|-------|---------|
| 204 | 1/2 | 0.59 | 1-5/32 | 3-3/8 | 1-29/64 | 2-1/2 | 3/8 | 17/32 | 19/64 | 1-1/8 |
| | 5/8 | 0.57 | | | | | | | | |
| | 3/4 | 0.55 | | | | | | | | |
| | 20 mm | 0.27 | 29.4 | 85.9 | 36.8 | 63.5 | M10 | 13.5 | 7.6 | 28.6 |
| 205 | 7/8 | 0.71 | 1-3/16 | 3-3/4 | 1-1/2 | 2-3/4 | 3/8 | 35/64 | 21/64 | 1-21/64 |
| | 15/16 | 0.69 | | | | | | | | |
| | 1 | 0.67 | | | | | | | | |
| | 25 mm | 0.32 | 30.2 | 95.3 | 38.1 | 70.0 | M10 | 13.9 | 8.4 | 33.7 |
| 206 | 1-1/8 | 0.89 | 1-25/64 | 4-1/4 | 1-11/16 | 3-1/4 | 3/8 | 39/64 | 27/64 | 1-37/64 |
| | 1-3/16 | 0.86 | | | | | | | | |
| | 1-1/4 | 0.84 | | | | | | | | |
| | 30 mm | 0.39 | 35.3 | 108.1 | 42.8 | 82.5 | M10 | 15.5 | 10.6 | 40.1 |
| 207 | 1-1/4 | 1.40 | 1-17/32 | 4-21/32 | 1-53/64 | 3-5/8 | 1/2 | 5/8 | 33/64 | 1-27/32 |
| | 1-5/16 | 1.35 | | | | | | | | |
| | 1-3/8 | 1.30 | | | | | | | | |
| | 35 mm | 0.61 | 38.9 | 118.1 | 46.5 | 92.0 | M12 | 15.9 | 13.2 | 46.8 |
| 208 | 1-1/2 | 1.82 | 1-11/16 | 5-1/8 | 2 | 4 | 1/2 | 43/64 | 33/64 | 2-3/64 |
| | 1-5/8 | 1.68 | | | | | | | | |
| | 40 mm | 0.76 | 42.9 | 130.0 | 50.9 | 101.5 | M12 | 16.9 | 13.3 | 52.0 |
| | 1-5/8 | 2.09 | 1-23/32 | 5-3/8 | 2-1/32 | 4-1/8 | 9/16 | 23/32 | 9/16 | 2-7/32 |
| 209 | 1-11/16 | 2.00 | | | | | | | | |
| | 1-3/4 | 1.93 | | | | | | | | |
| | 45 mm | 0.88 | 43.7 | 136.7 | 51.7 | 105.0 | M14 | 18.2 | 14.1 | 56.4 |
| | 1-15/16 | 2.12 | 1-3/4 | 5-5/8 | 2-13/64 | 4-3/8 | 5/8 | 49/64 | 19/32 | 2-7/16 |
| 210 | 2 | 2.03 | | | | | | | | |
| | 50 mm | 0.96 | 44.5 | 142.7 | 56.0 | 111.0 | M16 | 19.3 | 15.1 | 61.9 |

| | | | |
|--------------------------------|------------------------|---------------------------|---------------------------|
| FEATURES/BENEFITS PAGE B1-2 | SELECTION PAGE B1-5 | INTERCHANGE PAGE B1-88 | ACCESSORIES PAGE B1-90 |
|--------------------------------|------------------------|---------------------------|---------------------------|

SELECTIONS/DIMENSIONS



E-Z KLEEN Mounted Bearings SCEZ NORMAL DUTY STAINLESS STEEL 4-BOLT FLANGE BEARINGS



| Series | Shaft Size | With Corrosion Resistant Insert | | With Insert With Flingers | |
|---------|------------|---------------------------------|---------------------|---------------------------|------------------|
| | | Part No. | Description | Part No. | Description |
| 204 | 1/2 | @ | F4B-SCEZ-008L-SHCR* | @ | F4B-SCEZ-008L-SH |
| | 5/8 | @ | F4B-SCEZ-010L-SHCR* | @ | F4B-SCEZ-010L-SH |
| | 3/4 | 127689 | F4B-SCEZ-012-SHCR | 056806 | F4B-SCEZ-012-SH |
| | 20mm | 127709 | F4B-SCEZ-20M-SHCR | @ | F4B-SCEZ-20M-SH |
| 205 | 7/8 | 065600 | F4B-SCEZ-014-SHCR* | @ | F4B-SCEZ-014-SH |
| | 15/16 | @ | F4B-SCEZ-015-SHCR* | @ | F4B-SCEZ-015-SH |
| | 1 | 127690 | F4B-SCEZ-100-SHCR | 056593 | F4B-SCEZ-100-SH |
| | 25mm | 127710 | F4B-SCEZ-25M-SHCR | @ | F4B-SCEZ-25M-SH |
| 206 | 1-1/8 | @ | F4B-SCEZ-102-SHCR* | 049477 | F4B-SCEZ-102-SH |
| | 1-3/16 | 127691 | F4B-SCEZ-103-SHCR | 056807 | F4B-SCEZ-103-SH |
| | 1-1/4 | 127692 | F4B-SCEZ-104S-SHCR | @ | F4B-SCEZ-104S-SH |
| | 30mm | 127711 | F4B-SCEZ-30M-SHCR | @ | F4B-SCEZ-30M-SH |
| 207 | 1-1/4 | 127693 | F4B-SCEZ-104-SHCR | 056633 | F4B-SCEZ-104-SH |
| | 1-3/8 | @ | F4B-SCEZ-106-SHCR* | @ | F4B-SCEZ-106-SH |
| | 1-7/16 | 127694 | F4B-SCEZ-107-SHCR | 056808 | F4B-SCEZ-107-SH |
| | 35mm | 127712 | F4B-SCEZ-35M-SHCR | @ | F4B-SCEZ-35M-SH |
| 208 | 1-1/2 | 127695 | F4B-SCEZ-108-SHCR | 056809 | F4B-SCEZ-108-SH |
| | 1-5/8 | @ | F4B-SCEZ-110-SHCR* | 062340 | F4B-SCEZ-110-SH |
| | 40mm | 127713 | F4B-SCEZ-40M-SHCR | @ | F4B-SCEZ-40M-SH |
| | 210 | 1-11/16 | @ | F4B-SCMEZ-111-SHCR* | @ |
| 1-3/4 | | @ | F4B-SCMEZ-112-SHCR* | 065945 | F4B-SCMEZ-112-SH |
| 1-15/16 | | 127696 | F4B-SCEZ-115-SHCR | 056810 | F4B-SCEZ-115-SH |
| 2 | | 062542 | F4B-SCEZ-200-SHCR | @ | |
| 50mm | | 127714 | F4B-SCEZ-50M-SHCR | @ | F4B-SCEZ-50M-SH |

@ Assembled to order

*20 piece minimum

| | | | |
|--------------------------------|------------------------|---------------------------|---------------------------|
| FEATURES/BENEFITS PAGE B1-2 | SELECTION PAGE B1-5 | INTERCHANGE PAGE B1-88 | ACCESSORIES PAGE B1-90 |
|--------------------------------|------------------------|---------------------------|---------------------------|

SELECTION/DIMENSIONS



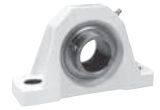
E-Z KLEEN Mounted Bearings

SCEZ NORMAL DUTY STAINLESS STEEL 4-BOLT FLANGE BEARINGS

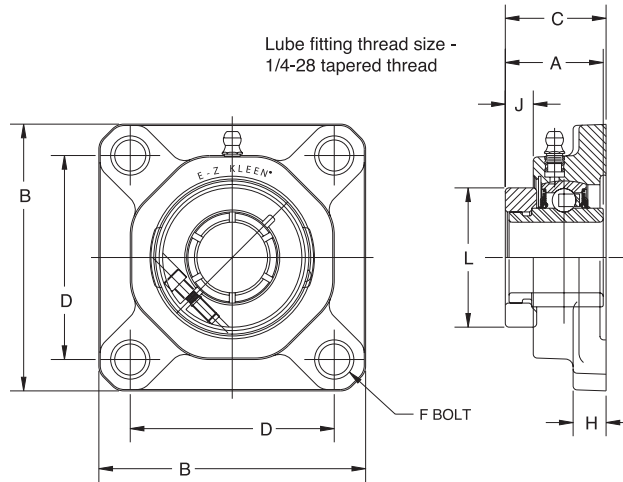
| Series | Shaft Size | Weight lbs | A | B | C | D | F Bolt | H | J | L |
|--------|------------|------------|---------|---------|---------|-------|--------|-------|-------|---------|
| 204 | 1/2 | 1.16 | 1-5/32 | 3-11/32 | 1-1/4 | 2-1/2 | 3/8 | 21/64 | 11/32 | 1-1/8 |
| | 5/8 | 1.12 | | | | | | | | |
| | 3/4 | 1.08 | | | | | | | | |
| | 20mm | 0.49 | 29.4 | 84.9 | 31.8 | 63.5 | M10 | 8.3 | 8.7 | 28.6 |
| 205 | 7/8 | 1.47 | 1-3/16 | 3-3/4 | 1-11/32 | 2-3/4 | 3/8 | 23/64 | 3/8 | 1-21/64 |
| | 15/16 | 1.43 | | | | | | | | |
| | 1 | 1.39 | | | | | | | | |
| | 25mm | 0.63 | 30.2 | 95.3 | 34.1 | 69.9 | M10 | 9.1 | 9.5 | 33.7 |
| 206 | 1-1/8 | 2.13 | 1-25/64 | 4-5/32 | 1-9/16 | 3-1/4 | 3/8 | 23/64 | 27/64 | 1-37/64 |
| | 1-3/16 | 2.09 | | | | | | | | |
| | 1-1/4 | 2.05 | | | | | | | | |
| | 30mm | 0.95 | 35.3 | 105.6 | 39.7 | 82.6 | M10 | 9.1 | 10.7 | 40.1 |
| 207 | 1-1/4 | 2.95 | 1-17/32 | 4-11/16 | 1-3/4 | 3-5/8 | 1/2 | 27/64 | 17/32 | 1-27/32 |
| | 1-3/8 | 2.83 | | | | | | | | |
| | 1-7/16 | 2.78 | | | | | | | | |
| | 35mm | 1.29 | 38.9 | 119.1 | 44.5 | 92.1 | M12 | 10.7 | 13.5 | 46.8 |
| 208 | 1-1/2 | 3.70 | 1-11/16 | 5-1/16 | 1-7/8 | 4 | 1/2 | 27/64 | 17/32 | 2-3/64 |
| | 1-5/8 | | | | | | | | | |
| | 40mm | 1.64 | 42.9 | 128.6 | 47.6 | 101.6 | M12 | 10.7 | 13.5 | 52.0 |
| 210 | 1-11/16 | 4.64 | 1-3/4 | 5-43/64 | 1-61/64 | 4-3/8 | 5/8 | 31/64 | 19/32 | 2-7/16 |
| | 1-3/4 | 4.40 | | | | | | | | |
| | 1-15/16 | 4.60 | | | | | | | | |
| | 50mm | 2.07 | 44.5 | 144.1 | 49.6 | 111.1 | M16 | 12.3 | 15.1 | 61.9 |

| | | | |
|--------------------------------|------------------------|---------------------------|---------------------------|
| FEATURES/BENEFITS PAGE B1-2 | SELECTION PAGE B1-5 | INTERCHANGE PAGE B1-88 | ACCESSORIES PAGE B1-90 |
|--------------------------------|------------------------|---------------------------|---------------------------|

SELECTIONS/DIMENSIONS



E-Z KLEEN Mounted Bearings DLEZ NORMAL DUTY POLYMER HOUSED 4-BOLT FLANGE BEARINGS



| Series | Shaft Size | With Corrosion Resistant Insert | | Standard Insert With Flingers | |
|--------|------------------------------------|---------------------------------|--------------------|-------------------------------|-----------------|
| | | Part No. | Description | Part No. | Description |
| 204 | 3/4 20 mm | 127593 | F4B-DLEZ-012-PCR | @ | F4B-DLEZ-012-P |
| | | 127634 | F4B-DLEZ-20M-PCR | @ | F4B-DLEZ-20M-P |
| 205 | 7/8 15/16 1 25 mm | @ | F4B-DLEZ-014-PCR* | @ | F4B-DLEZ-014-P |
| | | @ | F4B-DLEZ-015-PCR* | @ | F4B-DLEZ-015-P |
| | | 127594 | F4B-DLEZ-100-PCR | @ | F4B-DLEZ-100-P |
| | | 127635 | F4B-DLEZ-25M-PCR | @ | F4B-DLEZ-25M-P |
| 206 | 1-1/8 1-3/16 1-1/4 30 mm | @ | F4B-DLEZ-102-PCR* | @ | F4B-DLEZ-102-P |
| | | 127595 | F4B-DLEZ-103-PCR | @ | F4B-DLEZ-103-P |
| | | 127596 | F4B-DLEZ-104S-PCR | @ | F4B-DLEZ-104S-P |
| | | 127636 | F4B-DLEZ-30M-PCR | @ | F4B-DLEZ-30M-P |
| 207 | 1-1/4 1-3/8 1-7/16 35 mm | 127597 | F4B-DLEZ-104-PCR | @ | F4B-DLEZ-104-P |
| | | @ | F4B-DLEZ-106-PCR* | @ | F4B-DLEZ-106-P |
| | | 127598 | F4B-DLEZ-107-PCR | @ | F4B-DLEZ-107-P |
| | | 127637 | F4B-DLEZ-35M-PCR | @ | F4B-DLEZ-35M-P |
| 208 | 1-1/2 40 mm | 127599 | F4B-DLEZ-108-PCR | @ | F4B-DLEZ-108-P |
| | | 127638 | F4B-DLEZ-40M-PCR | @ | F4B-DLEZ-40M-P |
| 209 | 1-5/8 1-11/16 1-3/4 45 mm | @ | F4B-DLEZ-110L-PCR* | @ | F4B-DLEZ-110L-P |
| | | 127600 | F4B-DLEZ-111-PCR | @ | F4B-DLEZ-111-P |
| | | @ | F4B-DLEZ-112-PCR* | @ | F4B-DLEZ-112-P |
| | | 127639 | F4B-DLEZ-45M-PCR | @ | F4B-DLEZ-45M-P |
| 210 | 1-15/16 2 50 mm | 127601 | F4B-DLEZ-115-PCR | @ | F4B-DLEZ-115-P |
| | | 058514 | F4B-DLEZ-200-PCR* | @ | F4B-DLEZ-200-P |
| | | 127640 | F4B-DLEZ-50M-PCR | @ | F4B-DLEZ-50M-P |

@ Assembled to order

* 20 piece minimum

| | | | |
|--------------------------------|------------------------|---------------------------|---------------------------|
| FEATURES/BENEFITS PAGE B1-2 | SELECTION PAGE B1-5 | INTERCHANGE PAGE B1-88 | ACCESSORIES PAGE B1-90 |
|--------------------------------|------------------------|---------------------------|---------------------------|

SELECTION/DIMENSIONS



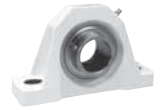
E-Z KLEEN Mounted Bearings

DLEZ NORMAL DUTY POLYMER HOUSED 4-BOLT FLANGE BEARINGS

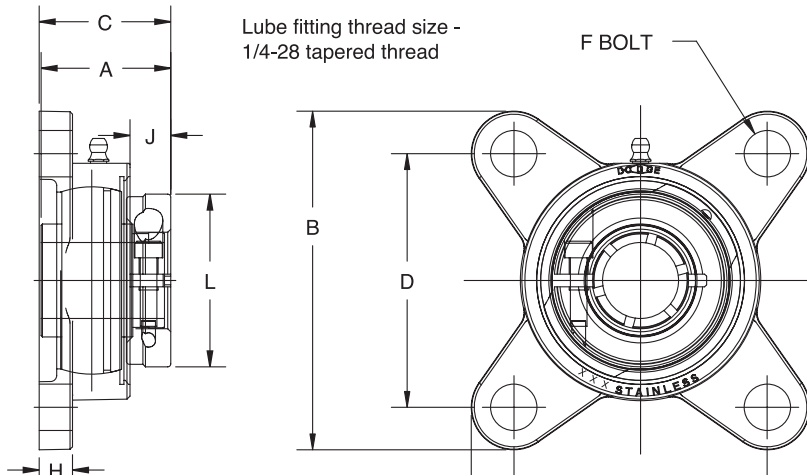
| Series | Shaft Size | Weight lbs kg | A | B | C | D | F Bolt Dia. | H | J | L |
|--------|------------|---------------------|--------|---------|---------|-------|-------------|-------|-------|---------|
| 204 | 3/4 | 0.50 | 1-9/32 | 3-3/8 | 1-29/64 | 2-1/2 | 3/8 | 17/32 | 19/64 | 1-45/64 |
| | 20 mm | 0.30 | 32.5 | 85.9 | 36.8 | 63.5 | M10 | 13.5 | 7.6 | 43.3 |
| 205 | 7/8 | 0.90 | 1-7/16 | 3-3/4 | 1-1/2 | 2-3/4 | 3/8 | 35/64 | 21/64 | 2 |
| | 15/16 | 0.80 | | | | | | | | |
| | 1 | 0.70 | | | | | | | | |
| | 25 mm | 0.30 | 36.5 | 95.3 | 38.1 | 70.0 | M10 | 13.9 | 8.4 | 50.8 |
| 206 | 1-1/8 | 1.20 | 1-9/16 | 4-1/4 | 1-11/16 | 3-1/4 | 3/8 | 39/64 | 27/64 | 2-7/32 |
| | 1-3/16 | 1.10 | | | | | | | | |
| | 1-1/4 | 1.10 | | | | | | | | |
| | 30 mm | 0.50 | 39.7 | 108.1 | 42.8 | 82.5 | M10 | 15.5 | 10.6 | 56.4 |
| 207 | 1-1/4 | 1.60 | 1-3/4 | 4-21/32 | 1-53/64 | 3-5/8 | 1/2 | 5/8 | 33/64 | 2-11/16 |
| | 1-3/8 | 1.50 | | | | | | | | |
| | 1-7/16 | 1.40 | | | | | | | | |
| | 35 mm | 0.70 | 44.5 | 118.1 | 46.5 | 92.0 | M12 | 15.9 | 13.2 | 68.3 |
| 208 | 1-1/2 | 2.00 | 2 | 5-1/8 | 2 | 4 | 1/2 | 43/64 | 33/64 | 2-47/64 |
| | 40 mm | 0.90 | 50.8 | 130.0 | 50.9 | 101.5 | M12 | 16.9 | 13.3 | 69.5 |
| 209 | 1-5/8 | 2.30 | 2 | 5-3/8 | 2-1/32 | 4-1/8 | 9/16 | 23/32 | 9/16 | 2-63/64 |
| | 1-11/16 | 2.20 | | | | | | | | |
| | 1-3/4 | 2.10 | | | | | | | | |
| | 45 mm | 1.00 | 50.8 | 136.7 | 51.7 | 105.0 | M14 | 18.2 | 14.1 | 75.8 |
| 210 | 1-15/16 | 2.30 | 2-3/32 | 5-5/8 | 2-13/64 | 4-3/8 | 5/8 | 49/64 | 19/32 | 3-15/64 |
| | 2 | 2.20 | | | | | | | | |
| | 50 mm | 1.10 | 53.2 | 142.7 | 56.0 | 111.0 | M16 | 19.3 | 15.1 | 82.1 |

| | | | |
|--------------------------------|------------------------|---------------------------|---------------------------|
| FEATURES/BENEFITS PAGE B1-2 | SELECTION PAGE B1-5 | INTERCHANGE PAGE B1-88 | ACCESSORIES PAGE B1-90 |
|--------------------------------|------------------------|---------------------------|---------------------------|

SELECTIONS/DIMENSIONS



E-Z KLEEN Mounted Bearings DLEZ NORMAL DUTY STAINLESS STEEL 4-BOLT FLANGE BEARINGS



| Series | Shaft Size | Part No. | Description |
|--------|------------|---------------|---------------------|
| 204 | 3/4 | 127731 | F4B-DLEZ-012-SHCR |
| | 20mm | 127751 | F4B-DLEZ-20M-SHCR |
| 205 | 7/8 | @ | F4B-DLEZ-014-SHCR* |
| | 15/16 | @ | F4B-DLEZ-015-SHCR* |
| | 1 | 127732 | F4B-DLEZ-100-SHCR |
| | 25mm | 127752 | F4B-DLEZ-25M-SHCR |
| 206 | 1-1/8 | @ | F4B-DLEZ-102-SHCR* |
| | 1-3/16 | 127733 | F4B-DLEZ-103-SHCR |
| | 1-1/4 | 127734 | F4B-DLEZ-104S-SHCR |
| | 30mm | 127753 | F4B-DLEZ-30M-SHCR |
| 207 | 1-1/4 | 127735 | F4B-DLEZ-104-SHCR |
| | 1-3/8 | @ | F4B-DLEZ-106-SHCR* |
| | 1-7/16 | 127736 | F4B-DLEZ-107-SHCR |
| 208 | 35mm | 127754 | F4B-DLEZ-35M-SHCR |
| | 1-1/2 | 127737 | F4B-DLEZ-108-SHCR |
| | 40mm | 127755 | F4B-DLEZ-40M-SHCR |
| 210 | 1-11/16 | @ | F4B-DLEZM-111-SHCR* |
| | 1-15/16 | 127738 | F4B-DLEZ-115-SHCR |
| | 50mm | 127756 | F4B-DLEZ-50M-SHCR |

@ Assembled to order
*20 piece minimum

| | | | |
|--------------------------------|------------------------|---------------------------|---------------------------|
| FEATURES/BENEFITS PAGE B1-2 | SELECTION PAGE B1-5 | INTERCHANGE PAGE B1-88 | ACCESSORIES PAGE B1-90 |
|--------------------------------|------------------------|---------------------------|---------------------------|

SELECTION/DIMENSIONS



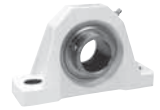
E-Z KLEEN Mounted Bearings

DLEZ NORMAL DUTY STAINLESS STEEL 4-BOLT FLANGE BEARINGS

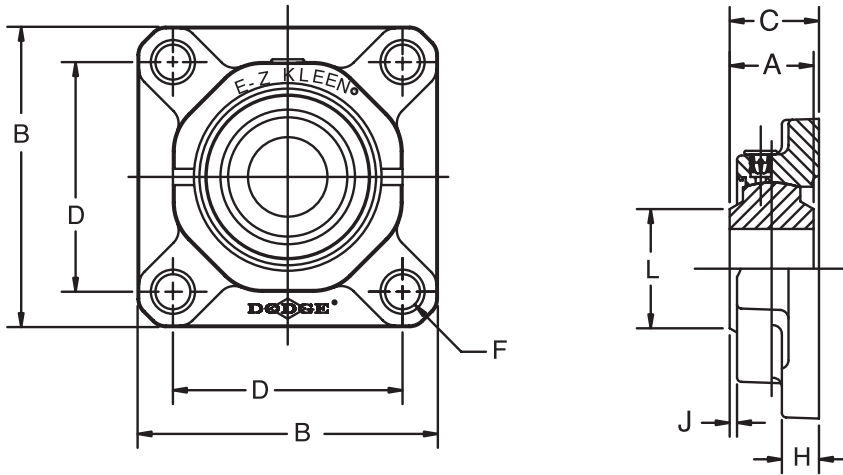
| Series | Shaft Size | Weight lbs kg | A | B | C | D | F Bolt Dia. | H | J | L |
|--------|------------|---------------------|--------|---------|---------|-------|-------------------|-------|-------|---------|
| 204 | 3/4 | 1.23 | 1-9/32 | 3-11/32 | 1-19/64 | 2-1/2 | 3/8 | 21/64 | 13/32 | 1-45/64 |
| | 20mm | 0.55 | 32.5 | 84.9 | 32.9 | 63.5 | M10 | 8.3 | 10.3 | 43.3 |
| 205 | 7/8 | 1.69 | 1-7/16 | 3-3/4 | 1-25/64 | 2-3/4 | 3/8 | 23/64 | 31/64 | 2 |
| | 15/16 | 1.65 | | | | | | | | |
| | 1 | 1.61 | | | | | | | | |
| | 25mm | 0.73 | 36.5 | 95.3 | 35.3 | 69.9 | M10 | 9.1 | 12.3 | 50.8 |
| 206 | 1-1/8 | 2.41 | 1-9/16 | 4-5/32 | 1-19/32 | 3-1/8 | 3/8 | 23/64 | 29/64 | 2-7/32 |
| | 1-3/16 | 2.36 | | | | | | | | |
| | 1-1/4 | 2.31 | | | | | | | | |
| | 30mm | 1.07 | 39.7 | 105.6 | 40.5 | 82.6 | M10 | 9.1 | 11.5 | 56.4 |
| 207 | 1-1/4 | 3.42 | 1-3/4 | 4-11/16 | 1-25/32 | 3-5/8 | 1/2 | 27/64 | 9/16 | 2-11/16 |
| | 1-3/8 | 3.29 | | | | | | | | |
| | 1-7/16 | 3.25 | | | | | | | | |
| | 35mm | 1.56 | 44.5 | 119.1 | 45.2 | 92.1 | M12 | 10.7 | 14.3 | 68.3 |
| 208 | 1-1/2 | 4.21 | 2 | 5-1/16 | 2-1/32 | 4 | 1/2 | 27/64 | 11/16 | 2-47/64 |
| | 40mm | 1.91 | | | | | | | | |
| 210 | 1-11/16 | 5.33 | 2-3/32 | 5-43/64 | 2-9/64 | 4-3/8 | 5/8 | 31/64 | 25/32 | 3-15/64 |
| | 1-15/16 | 5.28 | | | | | | | | |
| | 50mm | 2.39 | 53.2 | 144.1 | 54.4 | 111.1 | M16 | 12.3 | 19.8 | 82.2 |

| | | | |
|--------------------------------|------------------------|---------------------------|---------------------------|
| FEATURES/BENEFITS PAGE B1-2 | SELECTION PAGE B1-5 | INTERCHANGE PAGE B1-88 | ACCESSORIES PAGE B1-90 |
|--------------------------------|------------------------|---------------------------|---------------------------|

SELECTIONS/DIMENSIONS



E-Z KLEEN Mounted Bearings PSEZ POLYMER SLEEVE POLYMER HOUSED 4-BOLT FLANGE BEARINGS



| Series | Shaft Size | Part No. | Description |
|--------|------------|---------------|-----------------|
| 204 | 3/4 | 034716 | F4B-PSEZ-012-P |
| | 20mm | 034759 | F4B-PSEZ-20M-P |
| 205 | 1 | 034717 | F4B-PSEZ-100-P |
| | 25mm | 034760 | F4B-PSEZ-25M-P |
| 206 | 1-3/16 | 034718 | F4B-PSEZ-103-P |
| | 1-1/4 | 034719 | F4B-PSEZ-104S-P |
| | 30mm | 034761 | F4B-PSEZ-30M-P |
| 207 | 1-1/4 | 034720 | F4B-PSEZ-104-P |
| | 1-7/16 | 034721 | F4B-PSEZ-107-P |
| | 35mm | 034762 | F4B-PSEZ-35M-P |
| 208 | 1-1/2 | 034722 | F4B-PSEZ-108-P |
| | 40mm | 034763 | F4B-PSEZ-40M-P |
| 210 | 1-15/16 | 034725 | F4B-PSEZ-115-P |
| | 50mm | 034765 | F4B-PSEZ-50M-P |

| | | | |
|--------------------------------|------------------------|---------------------------|---------------------------|
| FEATURES/BENEFITS PAGE B1-2 | SELECTION PAGE B1-5 | INTERCHANGE PAGE B1-88 | ACCESSORIES PAGE B1-90 |
|--------------------------------|------------------------|---------------------------|---------------------------|

SELECTION/DIMENSIONS



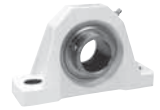
E-Z KLEEN Mounted Bearings

PSEZ POLYMER SLEEVE POLYMER HOUSED 4-BOLT FLANGE BEARINGS

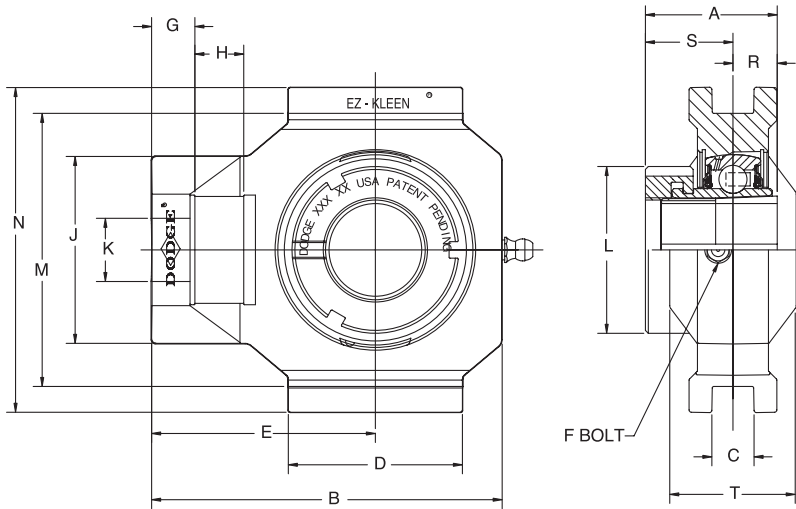
| Series | Shaft Size | Weight lbs kg | A | B | C | D | F Bolt Dia | H | J | L |
|--------|------------|---------------------|--------|---------|---------|-------|------------------|-------|------|---------|
| 204 | 3/4 | 0.48 | 1 | 3-3/8 | 1-7/32 | 2-1/2 | 3/8 | 17/32 | 5/64 | 1-5/16 |
| | 20mm | 0.22 | 25.4 | 85.9 | 31.1 | 63.5 | M10 | 13.5 | 1.9 | 33.3 |
| 205 | 1 | 0.55 | 1-1/16 | 3-3/4 | 1-17/64 | 2-3/4 | 3/8 | 35/64 | 1/8 | 1-7/16 |
| | 25mm | 0.25 | 27 | 95.3 | 32.3 | 70.0 | M10 | 13.9 | 2.6 | 36.5 |
| 206 | 1-3/16 | 0.89 | 1-3/16 | 4-1/4 | 1-3/8 | 3-1/4 | 3/8 | 39/64 | 7/64 | 1-11/16 |
| | 1-1/4 | 0.88 | | | | | | | | |
| | 30mm | 0.40 | 30.2 | 108.0 | 34.9 | 82.5 | M10 | 15.5 | 2.6 | 42.9 |
| 207 | 1-1/4 | 0.97 | 1-5/16 | 4-21/32 | 1-29/64 | 3-5/8 | 1/2 | 5/8 | 9/64 | 2.0 |
| | 1-7/16 | 0.92 | | | | | | | | |
| | 35mm | 0.44 | 33.3 | 118.1 | 37.0 | 92.0 | M12 | 15.9 | 3.7 | 50.8 |
| 208 | 1-1/2 | 1.23 | 1-1/2 | 5-1/8 | 1-21/32 | 4.0 | 1/2 | 43/64 | 1/4 | 2.0 |
| | 40mm | 0.56 | 38.1 | 130.0 | 42.2 | 101.5 | M12 | 16.9 | 4.6 | 50.8 |
| 210 | 1-15/16 | 1.35 | 1-5/8 | 5-5/8 | 1-55/64 | 4-3/8 | 5/8 | 49/64 | 1/4 | 2-9/16 |
| | 50mm | 0.61 | 41.3 | 142.7 | 47.3 | 111.0 | M16 | 19.3 | 6.4 | 65.1 |

| | | | |
|--------------------------------|------------------------|---------------------------|---------------------------|
| FEATURES/BENEFITS PAGE B1-2 | SELECTION PAGE B1-5 | INTERCHANGE PAGE B1-88 | ACCESSORIES PAGE B1-90 |
|--------------------------------|------------------------|---------------------------|---------------------------|

SELECTIONS/DIMENSIONS



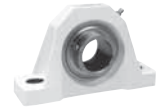
E-Z KLEEN Mounted Bearings GTEZ NORMAL DUTY POLYMER HOUSED WIDE SLOT TAKE-UP BEARINGS



| Series | Shaft Size | With Corrosion Resistant Insert | | Unit without Adapter & Nut | | Adapter & Nut Assembly | |
|--------|-----------------------------------|---------------------------------|--------------------|----------------------------|------------------|------------------------|------------------|
| | | Part No. | Description | Part No. | Description | Part No. | Description |
| 204 | 3/4 20 mm | 136315 | WSTU-GTEZ-012-PCR | 136327 | WSTU-GTEZ-04-PCR | 129967 | AN-GT-04-012-CR |
| | | 136323 | WSTU-GTEZ-20M-PCR | | | 129980 | AN-GT-04-20M-CR |
| 205 | 1 25 mm | 136316 | WSTU-GTEZ-100-PCR | 136328 | WSTU-GTEZ-05-PCR | 129968 | AN-GT-05-100-CR |
| | | 136324 | WSTU-GTEZ-25M-PCR | | | 129981 | AN-GT-05-25M-CR |
| 206 | 1-1/8 1-3/16 1-1/4 30 mm | 136317 | WSTU-GTEZ-102-PCR | 136329 | WSTU-GTEZ-06-PCR | 129969 | AN-GT-06-102-CR |
| | | 136318 | WSTU-GTEZ-103-PCR | | | 129970 | AN-GT-06-103-CR |
| | | 136319 | WSTU-GTEZ-104S-PCR | | | 129971 | AN-GT-06-104S-CR |
| | | 136325 | WSTU-GTEZ-30M-PCR | | | 129982 | AN-GT-06-30M-CR |
| 207 | 1-1/4 1-3/8 1-7/16 35 mm | 136320 | WSTU-GTEZ-104-PCR | 136330 | WSTU-GTEZ-07-PCR | 129972 | AN-GT-07-104-CR |
| | | 136321 | WSTU-GTEZ-106-PCR | | | 129973 | AN-GT-07-106-CR |
| | | 136322 | WSTU-GTEZ-107-PCR | | | 129974 | AN-GT-07-107-CR |
| | | 136326 | WSTU-GTEZ-35M-PCR | | | 129983 | AN-GT-07-35M-CR |

| | | | |
|--------------------------------|------------------------|---------------------------|---------------------------|
| FEATURES/BENEFITS PAGE B1-2 | SELECTION PAGE B1-5 | INTERCHANGE PAGE B1-88 | ACCESSORIES PAGE B1-90 |
|--------------------------------|------------------------|---------------------------|---------------------------|

SELECTION/DIMENSIONS



E-Z KLEEN Mounted Bearings GTEZ NORMAL DUTY POLYMER HOUSED WIDE SLOT TAKE-UP BEARINGS

Bearing Quick Reference

E-Z KLEEN

GRIP TIGHT Adapter Ball Bearing

Set Screw Ball Bearing

Eccentric Collar Ball Bearing

| Series | Shaft Size | Weight lbs kg | Take-Up Frame No. Ref. | A | B | C** | D | E | F Thd Shaft | G |
|--------|------------|------------------|------------------------|---------|---------|-------|-------|--------|-------------|------|
| 204 | 3/4 | 0.90 | WS300 | 1-15/32 | 3-13/16 | 17/32 | 2 | 2-1/2 | 5/8 | 1/2 |
| | 20 mm | 0.40 | | 37.3 | 96.8 | 13.5 | 50.8 | 63.5 | 15.9 | 12.7 |
| 205 | 1 | 1.20 | WS300 | 1-29/64 | 3-15/16 | 17/32 | 2 | 2-9/16 | 5/8 | 1/2 |
| | 25 mm | 0.50 | | 36.9 | 100.1 | 13.5 | 50.8 | 65.0 | 15.9 | 12.7 |
| 206 | 1-1/8 | 1.80 | WS308 | 1-39/64 | 4-1/2 | 17/32 | 2-1/4 | 2-7/8 | 3/4 | 1/2 |
| | 1-3/16 | 1.70 | | | | | | | | |
| | 1-1/4 | 1.60 | | | | | | | | |
| 207 | 30 mm | 0.80 | WS308 | 1-5/8 | 4-15/16 | 17/32 | 2-1/4 | 3-1/8 | 3/4 | 1/2 |
| | 1-1/4 | 2.40 | | | | | | | | |
| | 1-3/8 | 2.30 | | | | | | | | |
| | 1-7/16 | 2.30 | | | | | | | | |
| | 35 mm | 1.08 | | 41.3 | 125.2 | 13.5 | 57.2 | 79.2 | 19.1 | 12.7 |

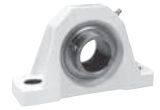
| Series | Shaft Size | H | J | K | L | M** | N | R# | S# | T | |
|--------|------------|------|---------|--------|---------|-------|-------|-------|--------|-------|------|
| 204 | 3/4 | 5/8 | 2-3/32 | 1-9/64 | 1-1/2 | 3 | 3-5/8 | 31/64 | 63/64 | 1-3/8 | |
| | 20 mm | 15.9 | 53.3 | 29.0 | 38.1 | 76.2 | 92.1 | 12.3 | 25.0 | 35.1 | |
| 205 | 1 | 5/8 | 2-1/8 | 1 9/64 | 1-51/64 | 3 | 3-5/8 | 1/2 | 61/64 | 1-3/8 | |
| | 25 mm | 15.9 | 53.8 | 29.0 | 45.6 | 76.2 | 92.1 | 12.8 | 24.2 | 35.1 | |
| 206 | 1-1/8 | 5/8 | 2-3/8 | 1-3/8 | 2-5/64 | 3 1/2 | 4-1/4 | 17/32 | 1-5/64 | 1-5/8 | |
| | 1-3/16 | | | | | | | | | | |
| | 1-1/4 | | | | | | | | | | |
| 207 | 30 mm | 15.9 | 2-27/64 | 1-3/8 | 2-3/8 | 3 1/2 | 4-1/4 | 9/16 | 1-1/16 | 1-5/8 | |
| | 1-1/4 | 5/8 | | | | | | | | | |
| | 1-3/8 | | | | | | | | | | |
| | 1-7/16 | | | | | | | | | | |
| | 35 mm | 15.9 | | 61.5 | 34.8 | 60.3 | 88.9 | 108.0 | 14.3 | 27.0 | 41.1 |

R & S dimension will vary slightly depending on true shaft diameter

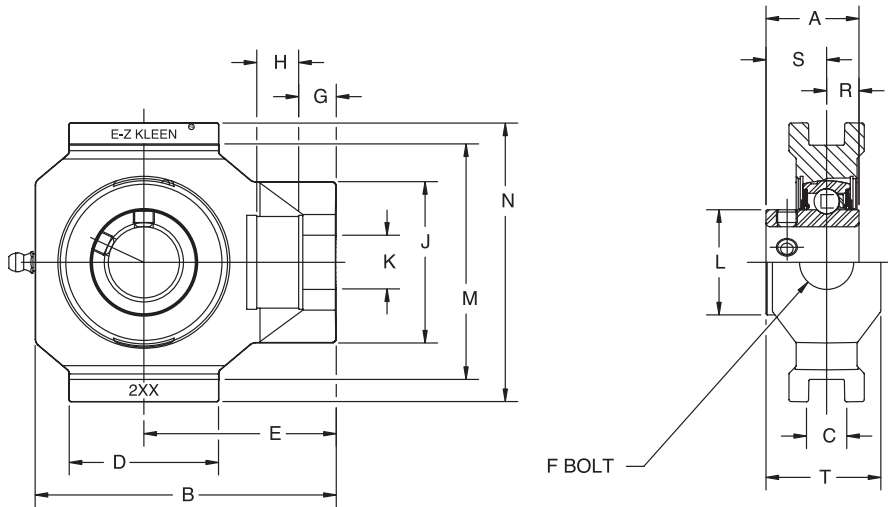
** + or - .020

| | | | |
|--------------------------------|------------------------|---------------------------|---------------------------|
| FEATURES/BENEFITS PAGE B1-2 | SELECTION PAGE B1-5 | INTERCHANGE PAGE B1-88 | ACCESSORIES PAGE B1-90 |
|--------------------------------|------------------------|---------------------------|---------------------------|

SELECTIONS/DIMENSIONS



E-Z KLEEN Mounted Bearings SCEZ NORMAL DUTY POLYMER HOUSED WIDE SLOT TAKE-UP BEARINGS

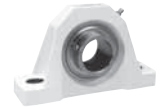


| Series | Shaft Size | With Corrosion Resistant Insert | | Standard Insert With Flingers | |
|--------|---------------|---------------------------------|---------------------|-------------------------------|------------------|
| | | Part No. | Description | Part No. | Description |
| 204 | 1/2 | @ | WSTU-SCEZ-008L-PCR* | @ | WSTU-SCEZ-008L-P |
| | 5/8 | @ | WSTU-SCEZ-010L-PCR* | @ | WSTU-SCEZ-010L-P |
| | 3/4 | 127539 | WSTU-SCEZ-012-PCR | @ | WSTU-SCEZ-012-P |
| | 20 mm | 127574 | WSTU-SCEZ-20M-PCR | @ | WSTU-SCEZ-20M-P |
| 205 | 7/8 | @ | WSTU-SCEZ-014-PCR* | @ | WSTU-SCEZ-014-P |
| | 15/16 | @ | WSTU-SCEZ-015-PCR* | @ | WSTU-SCEZ-015-P |
| | 1 | 127540 | WSTU-SCEZ-100-PCR | 058940 | WSTU-SCEZ-100-P |
| | 25 mm | 127575 | WSTU-SCEZ-25M-PCR | @ | WSTU-SCEZ-25M-P |
| 206 | 1-1/8 | @ | WSTU-SCEZ-102-PCR* | @ | WSTU-SCEZ-102-P |
| | 1-3/16 | 127541 | WSTU-SCEZ-103-PCR | @ | WSTU-SCEZ-103-P |
| | 1-1/4 | 127542 | WSTU-SCEZ-104S-PCR | @ | WSTU-SCEZ-104S-P |
| | 30 mm | 127576 | WSTU-SCEZ-30M-PCR | @ | WSTU-SCEZ-30M-P |
| 207 | 1-1/4 | 127543 | WSTU-SCEZ-104-PCR | @ | WSTU-SCEZ-104-P |
| | 1-5/16 | @ | WSTU-SCEZ-105-PCR* | @ | WSTU-SCEZ-105-P |
| | 1-3/8 | @ | WSTU-SCEZ-106-PCR* | @ | WSTU-SCEZ-106-P |
| | 1-7/16 | 127544 | WSTU-SCEZ-107-PCR | @ | WSTU-SCEZ-107-P |
| 35 mm | 127577 | WSTU-SCEZ-35M-PCR | @ | WSTU-SCEZ-35M-P | |

@ Assembled to order
* 20 piece minimum

| | | | |
|--------------------------------|------------------------|---------------------------|---------------------------|
| FEATURES/BENEFITS PAGE B1-2 | SELECTION PAGE B1-5 | INTERCHANGE PAGE B1-88 | ACCESSORIES PAGE B1-90 |
|--------------------------------|------------------------|---------------------------|---------------------------|

SELECTION/DIMENSIONS



E-Z KLEEN Mounted Bearings SCEZ NORMAL DUTY POLYMER HOUSED WIDE SLOT TAKE-UP BEARINGS

| Series | Shaft Size | Weight lbs kg | Take-Up Frame No. Ref. | A | B | C** | D | E | F Thd Shaft | G |
|--------|------------|------------------|------------------------|---------|---------|-------|-------|--------|-------------|------|
| 204 | 1/2 | 0.86 | WS300 | 1-5/32 | 3-13/16 | 17/32 | 2 | 2-1/2 | 5/8 | 1/2 |
| | 5/8 | 0.76 | | 29.4 | 96.8 | 13.5 | 50.8 | 63.5 | 15.9 | 12.7 |
| | 3/4 | 0.66 | | | | | | | | |
| | 20 mm | 0.31 | | | | | | | | |
| 205 | 7/8 | 0.92 | WS300 | 1-3/16 | 3-15/16 | 17/32 | 2 | 2-9/16 | 5/8 | 1/2 |
| | 15/16 | 0.82 | | 30.2 | 100.0 | 13.5 | 50.8 | 65.1 | 15.9 | 12.7 |
| | 1 | 0.72 | | | | | | | | |
| | 25 mm | 0.34 | | | | | | | | |
| 206 | 1-1/8 | 1.11 | WS308 | 1-25/64 | 4-1/2 | 17/32 | 2-1/4 | 2-7/8 | 3/4 | 1/2 |
| | 1-3/16 | 1.09 | | 35.3 | 114.3 | 13.5 | 57.2 | 73.0 | 19.1 | 12.7 |
| | 1-1/4 | 1.07 | | | | | | | | |
| | 30 mm | 0.49 | | | | | | | | |
| 207 | 1-1/4 | 1.58 | WS308 | 1-17/32 | 4-15/16 | 17/32 | 2-1/4 | 3-1/8 | 3/4 | 1/2 |
| | 1-5/16 | 1.52 | | 38.9 | 125.4 | 13.5 | 57.2 | 79.4 | 19.1 | 12.7 |
| | 1-3/8 | 1.47 | | | | | | | | |
| | 35 mm | 0.69 | | | | | | | | |

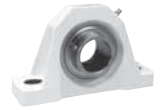
| Series | Shaft Size | H | J | K | L | M** | N | R | S | T |
|--------|------------|------|---------|--------|---------|-------|-------|-------|--------|-------|
| 204 | 1/2 | 5/8 | 2-3/32 | 1-9/64 | 1-1/8 | 3 | 3-5/8 | 27/64 | 47/64 | 1 3/8 |
| | 5/8 | 15.9 | 53.2 | 29.0 | 28.6 | 76.2 | 92.1 | 10.7 | 18.7 | 35.1 |
| | 3/4 | | | | | | | | | |
| | 20 mm | | | | | | | | | |
| 205 | 7/8 | 5/8 | 2-1/8 | 1-9/64 | 1-21/64 | 3 | 3-5/8 | 27/64 | 49/64 | 1 3/8 |
| | 15/16 | 15.9 | 54.0 | 29.0 | 33.7 | 76.2 | 92.1 | 10.7 | 19.4 | 35.1 |
| | 1 | | | | | | | | | |
| | 25 mm | | | | | | | | | |
| 206 | 1-1/8 | 5/8 | 2-3/8 | 1-3/8 | 1-37/64 | 3-1/2 | 4-1/4 | 31/64 | 29/32 | 1 5/8 |
| | 1-3/16 | 15.9 | 60.3 | 34.9 | 40.1 | 88.9 | 108.0 | 12.3 | 23.0 | 41.1 |
| | 1-1/4 | | | | | | | | | |
| | 30 mm | | | | | | | | | |
| 207 | 1-1/4 | 5/8 | 2-27/64 | 1-3/8 | 1-27/32 | 3-1/2 | 4-1/4 | 32/64 | 1 1/32 | 1 5/8 |
| | 1-5/16 | 15.9 | 61.5 | 34.9 | 46.8 | 88.9 | 108.0 | 12.7 | 26.2 | 41.1 |
| | 1-3/8 | | | | | | | | | |
| | 35 mm | | | | | | | | | |

** + or - .020"

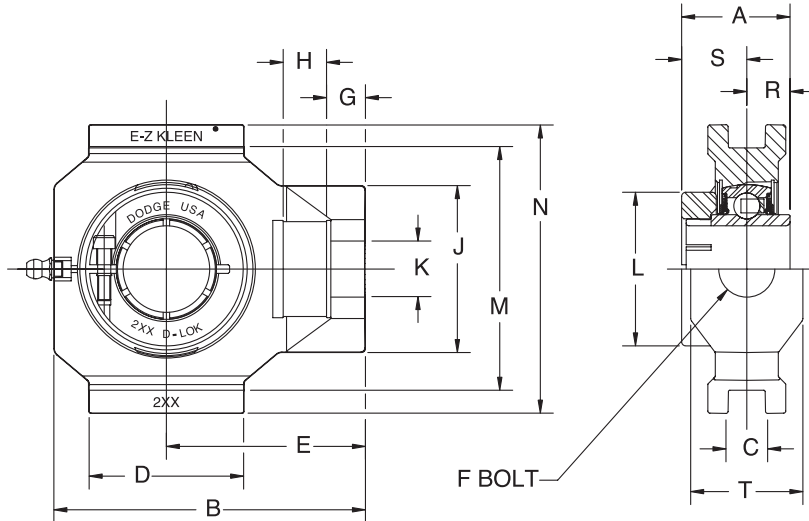
+ or - .50 mm

| | | | |
|--------------------------------|------------------------|---------------------------|---------------------------|
| FEATURES/BENEFITS PAGE B1-2 | SELECTION PAGE B1-5 | INTERCHANGE PAGE B1-88 | ACCESSORIES PAGE B1-90 |
|--------------------------------|------------------------|---------------------------|---------------------------|

SELECTIONS/DIMENSIONS



E-Z KLEEN Mounted Bearings DLEZ NORMAL DUTY POLYMER HOUSED WIDE SLOT TAKE-UP BEARINGS

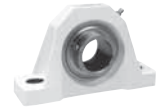


| Series | Shaft Size | With Corrosion Resistant Insert | | Standard Insert With Flingers | |
|--------|------------|---------------------------------|--------------------|-------------------------------|------------------|
| | | Part No. | Description | Part No. | Description |
| 204 | 3/4 | 127617 | WSTU-DLEZ-012-PCR | @ | WSTU-DLEZ-012-P |
| | 20 mm | 127652 | WSTU-DLEZ-20M-PCR | @ | WSTU-DLEZ-20M-P |
| 205 | 7/8 | @ | WSTU-DLEZ-014-PCR* | @ | WSTU-DLEZ-014-P |
| | 15/16 | @ | WSTU-DLEZ-015-PCR* | @ | WSTU-DLEZ-015-P |
| | 1 | 127618 | WSTU-DLEZ-100-PCR | @ | WSTU-DLEZ-100-P |
| | 25 mm | 127653 | WSTU-DLEZ-25M-PCR | @ | WSTU-DLEZ-25M-P |
| 206 | 1-1/8 | @ | WSTU-DLEZ-102-PCR* | @ | WSTU-DLEZ-102-P |
| | 1-3/16 | 127619 | WSTU-DLEZ-103-PCR | @ | WSTU-DLEZ-103-P |
| | 1-1/4 | 127620 | WSTU-DLEZ-104S-PCR | @ | WSTU-DLEZ-104S-P |
| | 30 mm | 127654 | WSTU-DLEZ-30M-PCR | @ | WSTU-DLEZ-30M-P |
| 207 | 1-1/4 | 127621 | WSTU-DLEZ-104-PCR | @ | WSTU-DLEZ-104-P |
| | 1-3/8 | @ | WSTU-DLEZ-106-PCR* | @ | WSTU-DLEZ-106-P |
| | 1-7/16 | 127622 | WSTU-DLEZ-107-PCR | @ | WSTU-DLEZ-107-P |
| | 35 mm | 127655 | WSTU-DLEZ-35M-PCR | @ | WSTU-DLEZ-35M-P |

@ Assembled to order
* 20 piece minimum order

| | | | |
|--------------------------------|------------------------|---------------------------|---------------------------|
| FEATURES/BENEFITS PAGE B1-2 | SELECTION PAGE B1-5 | INTERCHANGE PAGE B1-88 | ACCESSORIES PAGE B1-90 |
|--------------------------------|------------------------|---------------------------|---------------------------|

SELECTION/DIMENSIONS



E-Z KLEEN Mounted Bearings DLEZ NORMAL DUTY POLYMER HOUSED WIDE SLOT TAKE-UP BEARINGS

| Series | Shaft Size | Weight lbs kg | Take-Up Frame No. Ref. | A | B | C** | D | E | F Thd Shaft | G |
|--------|------------|------------------|------------------------|---------|---------|-------|-------|--------|-------------|------|
| 204 | 1/2 | 0.86 | WS300 | 1-5/32 | 3-13/16 | 17/32 | 2 | 2-1/2 | 5/8 | 1/2 |
| | 5/8 | 0.76 | | 29.4 | 96.8 | 13.5 | 50.8 | 63.5 | 15.9 | 12.7 |
| | 3/4 | 0.66 | | | | | | | | |
| | 20 mm | 0.31 | | | | | | | | |
| 205 | 7/8 | 0.92 | WS300 | 1-3/16 | 3-15/16 | 17/32 | 2 | 2-9/16 | 5/8 | 1/2 |
| | 15/16 | 0.82 | | 30.2 | 100.0 | 13.5 | 50.8 | 65.1 | 15.9 | 12.7 |
| | 1 | 0.72 | | | | | | | | |
| | 25 mm | 0.34 | | | | | | | | |
| 206 | 1-1/8 | 1.11 | WS308 | 1-25/64 | 4-1/2 | 17/32 | 2-1/4 | 2-7/8 | 3/4 | 1/2 |
| | 1-3/16 | 1.09 | | 35.3 | 114.3 | 13.5 | 57.2 | 73.0 | 19.1 | 12.7 |
| | 1-1/4 | 1.07 | | | | | | | | |
| | 30 mm | 0.49 | | | | | | | | |
| 207 | 1-1/4 | 1.58 | WS308 | 1-17/32 | 4-15/16 | 17/32 | 2-1/4 | 3-1/8 | 3/4 | 1/2 |
| | 1-5/16 | 1.52 | | 38.9 | 125.4 | 13.5 | 57.2 | 79.4 | 19.1 | 12.7 |
| | 1-3/8 | 1.47 | | | | | | | | |
| | 1-7/16 | 1.42 | | | | | | | | |
| | 35 mm | 0.69 | | | | | | | | |

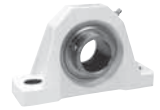
| Series | Shaft Size | H | J | K | L | M** | N | R | S | T |
|--------|------------|------|---------|--------|---------|-------|-------|-------|--------|-------|
| 204 | 1/2 | 5/8 | 2-3/32 | 1-9/64 | 1-1/8 | 3 | 3-5/8 | 27/64 | 47/64 | 1 3/8 |
| | 5/8 | | | | | | | | | |
| | 3/4 | | | | | | | | | |
| | 20 mm | 15.9 | 53.2 | 29.0 | 28.6 | 76.2 | 92.1 | 10.7 | 18.7 | 35.1 |
| 205 | 7/8 | 5/8 | 2-1/8 | 1-9/64 | 1-21/64 | 3 | 3-5/8 | 27/64 | 49/64 | 1 3/8 |
| | 15/16 | | | | | | | | | |
| | 1 | | | | | | | | | |
| | 25 mm | 15.9 | 54.0 | 29.0 | 33.7 | 76.2 | 92.1 | 10.7 | 19.4 | 35.1 |
| 206 | 1-1/8 | 5/8 | 2-3/8 | 1-3/8 | 1-37/64 | 3-1/2 | 4-1/4 | 31/64 | 29/32 | 1 5/8 |
| | 1-3/16 | | | | | | | | | |
| | 1-1/4 | | | | | | | | | |
| | 30 mm | 15.9 | 60.3 | 34.9 | 40.1 | 88.9 | 108.0 | 12.3 | 23.0 | 41.1 |
| 207 | 1-1/4 | 5/8 | 2-27/64 | 1-3/8 | 1-27/32 | 3-1/2 | 4-1/4 | 32/64 | 1 1/32 | 1 5/8 |
| | 1-5/16 | | | | | | | | | |
| | 1-3/8 | | | | | | | | | |
| | 1-7/16 | | | | | | | | | |
| | 35 mm | 15.9 | 61.5 | 34.9 | 46.8 | 88.9 | 108.0 | 12.7 | 26.2 | 41.1 |

** + or - .020"

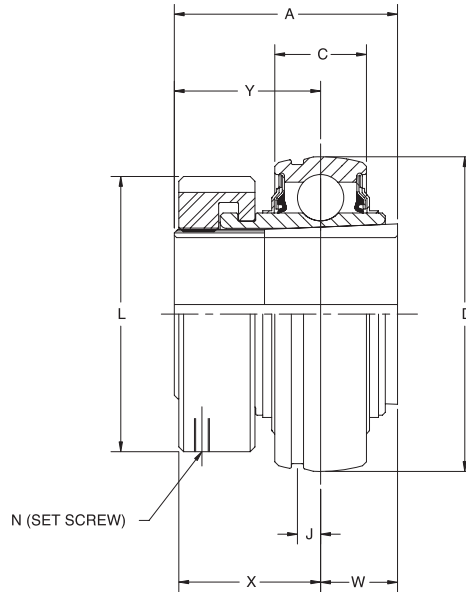
+ or - .50 mm

| | | | |
|--------------------------------|------------------------|---------------------------|---------------------------|
| FEATURES/BENEFITS PAGE B1-2 | SELECTION PAGE B1-5 | INTERCHANGE PAGE B1-88 | ACCESSORIES PAGE B1-90 |
|--------------------------------|------------------------|---------------------------|---------------------------|

SELECTIONS/DIMENSIONS



E-Z KLEEN Mounted Bearings GT NORMAL DUTY BEARING INSERTS FOR E-Z KLEEN BEARINGS



| Series | Shaft Size | Complete Unit | | Unit Without Adapter | | Adapter & Nut Assembly | |
|--------|----------------------------------|---------------|----------------|----------------------|--------------|------------------------|------------------|
| | | Part No. | Description | Part No. | Description | Part No. | Description |
| 204 | 3/4 20mm | 129825 | INS-GT-012-CR | 129579 | INS-GT-04-CR | 129967 | AN-GT-04-012-CR |
| | | 129826 | INS-GT-20M-CR | | | 129980 | AN-GT-04-20M-CR |
| 205 | 1 25mm | 129827 | INS-GT-100-CR | 129580 | INS-GT-05-CR | 129968 | AN-GT-05-100-CR |
| | | 129828 | INS-GT-25M-CR | | | 129981 | AN-GT-05-25M-CR |
| 206 | 1-1/8 1-3/16 1-1/4 30mm | @ | INS-GT-102-CR | 129581 | INS-GT-06-CR | 129969 | AN-GT-06-102-CR |
| | | 129829 | INS-GT-103-CR | | | 129970 | AN-GT-06-103-CR |
| | | 129830 | INS-GT-104S-CR | | | 129971 | AN-GT-06-104S-CR |
| | | 129831 | INS-GT-30M-CR | | | 129982 | AN-GT-06-30M-CR |
| 207 | 1-1/4 1-3/8 1-7/16 35mm | 129832 | INS-GT-104-CR | 129582 | INS-GT-07-CR | 129972 | AN-GT-07-104-CR |
| | | @ | INS-GT-106-CR | | | 129973 | AN-GT-07-106-CR |
| | | 129833 | INS-GT-107-CR | | | 129974 | AN-GT-07-107-CR |
| | | 129834 | INS-GT-35M-CR | | | 129983 | AN-GT-07-35M-CR |
| 208 | 1-1/2 40mm | 129835 | INS-GT-108-CR | 129583 | INS-GT-08-CR | 129975 | AN-GT-08-108-CR |
| | | 129836 | INS-GT-40M-CR | | | 129984 | AN-GT-08-40M-CR |
| 209 | 1-11/16 1-3/4 45mm | 129837 | INS-GT-111-CR | 129584 | INS-GT-09-CR | 129976 | AN-GT-09-111-CR |
| | | @ | INS-GT-112-CR | | | 129977 | AN-GT-09-112-CR |
| | | 129838 | INS-GT-45M-CR | | | 129985 | AN-GT-09-45M-CR |
| 210 | 1-15/16 2 50mm | 129839 | INS-GT-115-CR | 129585 | INS-GT-10-CR | 129978 | AN-GT-10-115-CR |
| | | @ | INS-GT-200-CR | | | 129979 | AN-GT-10-200-CR |
| | | 129840 | INS-GT-50M-CR | | | 129986 | AN-GT-10-50M-CR |

@ Assembled to order.

| | | | |
|--------------------------------|------------------------|---------------------------|---------------------------|
| FEATURES/BENEFITS PAGE B1-2 | SELECTION PAGE B1-5 | INTERCHANGE PAGE B1-88 | ACCESSORIES PAGE B1-90 |
|--------------------------------|------------------------|---------------------------|---------------------------|

SELECTION/DIMENSIONS



E-Z KLEEN Mounted Bearings

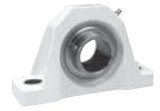
GT NORMAL DUTY BEARING INSERTS FOR E-Z KLEEN BEARINGS

| Series | Shaft Size | Weight lbs kg | A | C | D | J | L | N Screw (UNF) | W# | X | Y# |
|--------|--------------------------|---------------------|---------|--------|--------|-------|---------|---------------------|-------|---------|--------|
| 204 | 3/4 | 0.6 | 1-15/32 | 0.5906 | 1.8504 | 0.152 | 1-1/2 | #10-32 x 1/4 | 31/64 | 1-3/64 | 63/64 |
| | 20mm | 0.3 | 37.3 | 15.0 | 47.0 | 3.9 | 38.1 | | 12.3 | 26.7 | 25.0 |
| 205 | 7/8 | 0.8 | 1-29/64 | 0.5906 | 2.0472 | 0.152 | 1-51/64 | #10-32 x 1/4 | 1/2 | 1-1/64 | 61/64 |
| | 15/16 1 25mm | 0.4 | 36.9 | 15.0 | 52.0 | 3.9 | 45.6 | | 12.8 | 25.9 | 24.2 |
| 206 | 1-1/8 | 1.2 | 1-39/64 | 0.7087 | 2.4409 | 0.190 | 2-5/64 | #10-32 x 1/4 | 17/32 | 1-1/8 | 1-5/64 |
| | 1-3/16 1-1/4 30mm | 0.6 | 40.9 | 18.0 | 62.0 | 4.8 | 52.8 | | 13.5 | 28.7 | 27.4 |
| 207 | 1-1/4 | 1.8 | 1-5/8 | 0.7480 | 2.8346 | 0.202 | 2-3/8 | #10-32 x 1/4 | 9/16 | 1-9/64 | 1-1/16 |
| | 1-3/8 1-7/16 35mm | 0.8 | 41.3 | 19.0 | 72.0 | 5.1 | 60.3 | | 14.3 | 29.1 | 27.0 |
| 208 | 1-1/2 | 2.2 | 1-27/32 | 0.8661 | 3.1496 | 0.224 | 2-5/8 | #10-32 x 1/4 | 21/32 | 1-15/64 | 1-3/16 |
| | 40mm | 1.0 | 46.8 | 22.0 | 80.0 | 5.7 | 66.7 | | 16.7 | 31.5 | 30.2 |
| 209 | 1-5/8 | 2.5 | 1-55/64 | 0.8661 | 3.3465 | 0.248 | 2-55/64 | #10-32 x 1/4 | 21/32 | 1-9/32 | 1-3/16 |
| | 1-11/16 1-3/4 45mm | 1.2 | 47.2 | 22.0 | 85.0 | 6.3 | 72.6 | | 16.7 | 32.6 | 30.2 |
| 210 | 1-15/16 | 3.0 | 1-55/64 | 0.8661 | 3.5433 | 0.248 | 3-1/8 | #10-32 x 1/4 | | 1-9/32 | |
| | 21/32 2 50mm | 1.4 | 1-13/64 | 22.0 | 90.0 | 6.3 | 79.4 | | 16.7 | 32.6 | 30.6 |

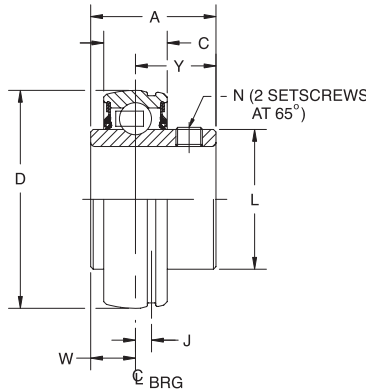
#W & Y dimensions will vary slightly depending on true shaft diameter.

| | | | |
|--------------------------------|------------------------|---------------------------|---------------------------|
| FEATURES/BENEFITS PAGE B1-2 | SELECTION PAGE B1-5 | INTERCHANGE PAGE B1-88 | ACCESSORIES PAGE B1-90 |
|--------------------------------|------------------------|---------------------------|---------------------------|

SELECTIONS/DIMENSIONS



E-Z KLEEN Mounted Bearings SC NORMAL DUTY BEARING CORROSION RESISTANT INSERTS FOR E-Z KLEEN BEARINGS



| Series | Shaft Size | Insert with Flingers | | Corrosion Resistant Insert | |
|--------|------------|----------------------|----------------|----------------------------|-----------------|
| | | Part No. | Description | Part No. | Description |
| 204 | 1/2 | @ | INS-SC-008L-FF | 052981 | INS-SC-008L-CR* |
| | 5/8 | 124932 | INS-SC-010L-FF | 127073 | INS-SC-010L-CR* |
| | 3/4 | 123070 | INS-SC-012-FF | 045600 | INS-SC-012-CR |
| | 20mm | 050524 | INS-SC-20M-FF | 125873 | INS-SC-20M-CR |
| 205 | 7/8 | 124931 | INS-SC-014-FF | 058665 | INS-SC-014-CR* |
| | 15/16 | 123069 | INS-SC-015-FF | @ | INS-SC-015-CR* |
| | 1 | 123071 | INS-SC-100-FF | 045601 | INS-SC-100-CR |
| | 25mm | 052620 | INS-SC-25M-FF | 050580 | INS-SC-25M-CR |
| 206 | 1-1/8 | 123234 | INS-SC-102-FF | 058989 | INS-SC-102-CR* |
| | 1-3/16 | 123072 | INS-SC-103-FF | 045602 | INS-SC-103-CR |
| | 1-1/4 | 123073 | INS-SC-104S-FF | 045603 | INS-SC-104S-CR |
| | 30mm | 052621 | INS-SC-30M-FF | 125874 | INS-SC-30M-CR |
| 207 | 1-1/4 | 123074 | INS-SC-104-FF | 045412 | INS-SC-104-CR |
| | 1-5/16 | 057102 | INS-SC-105-FF | 058345 | INS-SC-105-CR* |
| | 1-3/8 | 123460 | INS-SC-106-FF | 058965 | INS-SC-106-CR* |
| | 35mm | 123075 | INS-SC-107-FF | 045604 | INS-SC-107-CR |
| 208 | 40mm | 052622 | INS-SC-35M-FF | 050653 | INS-SC-35M-CR |
| | 1-1/2 | 123076 | INS-SC-108-FF | 045605 | INS-SC-108-CR |
| | 1-5/8 | 123409 | INS-SC-110-FF | @ | INS-SC-110-CR* |
| | 40mm | 052623 | INS-SC-40M-FF | 050654 | INS-SC-40M-CR |
| 209 | 1-5/8 | @ | INS-SC-110L-FF | @ | INS-SC-110L-CR* |
| | 1-11/16 | @ | INS-SC-111-FF | 125004 | INS-SC-111-CR |
| | 1-3/4 | 045677 | INS-SC-112-FF | 054145 | INS-SC-112-CR* |
| | 45mm | @ | INS-SC-45M-FF | 125005 | INS-SC-45M-CR |
| 210 | 1-11/16 | @ | INS-SCM-111-FF | @ | INS-SCM-111-CR* |
| | 1-15/16 | 123077 | INS-SC-115-FF | 045606 | INS-SC-115-CR |
| | 2 | 123413 | INS-SC-200-FF | 045338 | INS-SC-200-CR* |
| | 50mm | @ | INS-SC-50M-FF | 050656 | INS-SC-50M-CR |

@ Assembled to order

* 20 piece minimum

| | | | |
|--------------------------------|------------------------|---------------------------|---------------------------|
| FEATURES/BENEFITS PAGE B1-2 | SELECTION PAGE B1-5 | INTERCHANGE PAGE B1-88 | ACCESSORIES PAGE B1-90 |
|--------------------------------|------------------------|---------------------------|---------------------------|

SELECTION/DIMENSIONS

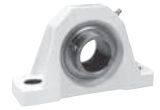


E-Z KLEEN Mounted Bearings SC NORMAL DUTY BEARING CORROSION RESISTANT INSERTS FOR E-Z KLEEN BEARINGS

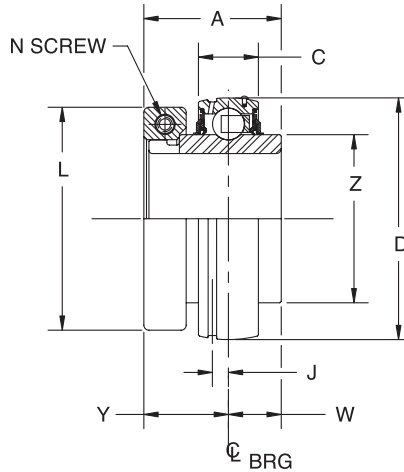
| Series | Shaft Size | Weight lbs kg | A | C | D | J | L | N | W | Y |
|--------|------------|---------------|---------|-------|--------|------|---------|-----------|-------|--------|
| 204 | 1/2 | .38 | 1-5/32 | .5906 | 1.8504 | .152 | 1-1/8 | 10-32 | 27/64 | 47/64 |
| | 5/8 | .35 | | | | | | | | |
| | 3/4 | .32 | | | | | | | | |
| | 20mm | .16 | 29.4 | 15.0 | 47.0 | 3.9 | 28.6 | M6 x 1 | 10.7 | 18.7 |
| 205 | 7/8 | .43 | 1-3/16 | .5906 | 2.0472 | .152 | 1-21/64 | 1/4-28 | 27/64 | 49/64 |
| | 15/16 | .40 | | | | | | | | |
| | 1 | .37 | | | | | | | | |
| | 25mm | .18 | 30.2 | 15.0 | 52.0 | 3.9 | 33.7 | M6 x 1 | 10.7 | 19.4 |
| 206 | 1-1/8 | .63 | 1-25/64 | .7087 | 2.4409 | .190 | 1-37/64 | 5/16-24 | 31/64 | 29/32 |
| | 1-3/16 | .60 | | | | | | | | |
| | 1-1/4 | .58 | | | | | | | | |
| | 30mm | .27 | 35.3 | 18.0 | 62.0 | 4.8 | 40.1 | M8 x 1.25 | 12.3 | 23.0 |
| 207 | 1-1/4 | 1.02 | 1-17/32 | .7480 | 2.8346 | .202 | 1-27/32 | 5/16-24 | 1/2 | 1-1/32 |
| | 1-5/16 | .97 | | | | | | | | |
| | 1-3/8 | .92 | | | | | | | | |
| | 35mm | .44 | 38.9 | 19.0 | 72.0 | 5.1 | 46.8 | M8 x 1.25 | 12.7 | 26.2 |
| 208 | 1-1/2 | 1.27 | 1-11/16 | .8661 | 3.1496 | .224 | 2-3/64 | 5/16-24 | 19/32 | 1-3/32 |
| | 1-5/8 | 1.13 | | | | | | | | |
| | 40mm | .51 | 42.9 | 22.0 | 80.0 | 5.7 | 52.0 | M8 x 1.25 | 15.1 | 27.8 |
| 209 | 1-5/8 | 1.49 | 1-23/32 | .8661 | 3.3465 | .248 | 2-7/32 | 5/16-24 | 19/32 | 1-1/8 |
| | 1-11/16 | 1.43 | | | | | | | | |
| | 1-3/4 | 1.36 | | | | | | | | |
| | 45mm | .62 | 43.7 | 22.0 | 85.0 | 6.3 | 56.4 | M8 x 1.25 | 15.1 | 28.6 |
| 210 | 1-11/16 | 1.82 | 1-3/4 | .8661 | 3.5433 | .248 | 2-7/16 | 3/8-24 | 19/32 | 1-5/32 |
| | 1-15/16 | 1.48 | | | | | | | | |
| | 2 | 1.39 | | | | | | | | |
| | 50mm | .67 | 44.5 | 22.0 | 90.0 | 6.3 | 61.9 | M10 x 1.5 | 15.1 | 29.4 |

| | | | |
|--------------------------------|------------------------|---------------------------|---------------------------|
| FEATURES/BENEFITS PAGE B1-2 | SELECTION PAGE B1-5 | INTERCHANGE PAGE B1-88 | ACCESSORIES PAGE B1-90 |
|--------------------------------|------------------------|---------------------------|---------------------------|

SELECTIONS/DIMENSIONS



E-Z KLEEN Mounted Bearings DL NORMAL DUTY BEARING CORROSION RESISTANT INSERTS FOR E-Z KLEEN BEARINGS



| Series | Shaft Size | Insert with Flingers | | Corrosion Resistant Insert | |
|--------|------------|----------------------|-------------|----------------------------|-----------------|
| | | Part No. | Description | Part No. | Description |
| 204 | 3/4 | 128646 | INS-DL-012 | 126685 | INS-DL-012-CR |
| | 20mm | 126629 | INS-DL-20M | 126693 | INS-DL-20M-CR |
| 205 | 7/8 | 128684 | INS-DL-014 | @ | INS-DL-014-CR* |
| | 15/16 | 128647 | INS-DL-015 | @ | INS-DL-015-CR* |
| | 1 | 128648 | INS-DL-100 | 126686 | INS-DL-100-CR |
| | 25mm | 126630 | INS-DL-25M | 126694 | INS-DL-25M-CR |
| 206 | 1-1/8 | 128649 | INS-DL-102 | 059869 | INS-DL-102-CR* |
| | 1-3/16 | 128650 | INS-DL-103 | 126687 | INS-DL-103-CR |
| | 1-1/4 | 128651 | INS-DL-104S | 126688 | INS-DL-104S-CR |
| | 30mm | 126631 | INS-DL-30M | 126695 | INS-DL-30M-CR |
| 207 | 1-1/4 | 128652 | INS-DL-104 | 126689 | INS-DL-104-CR |
| | 1-3/8 | 128653 | INS-DL-106 | @ | INS-DL-106-CR* |
| | 1-7/16 | 128654 | INS-DL-107 | 052093 | INS-DL-107-CR |
| | 35mm | 126632 | INS-DL-35M | 126696 | INS-DL-35M-CR |
| 208 | 1-1/2 | 128655 | INS-DL-108 | 126690 | INS-DL-108-CR |
| | 40mm | 126633 | INS-DL-40M | 126697 | INS-DL-40M-CR |
| 209 | 1-5/8 | 128656 | INS-DL-110L | @ | INS-DL-110L-CR* |
| | 1-11/16 | 128657 | INS-DL-111 | 126691 | INS-DL-111-CR |
| | 1-3/4 | 128658 | INS-DL-112 | @ | INS-DL-112-CR* |
| | 45mm | 126634 | INS-DL-45M | 126698 | INS-DL-45M-CR |
| 210 | 1-11/16 | 128672 | INS-DLM-111 | @ | INS-DLM-111-CR |
| | 1-15/16 | 128659 | INS-DL-115 | 126692 | INS-DL-115-CR |
| | 2 | 128660 | INS-DL-200 | 053986 | INS-DL-200-CR* |
| | 50mm | 126635 | INS-DL-50M | 126699 | INS-DL-50M-CR |

@ Assembled to order

* 20 piece minimum

| | | | |
|--------------------------------|------------------------|---------------------------|---------------------------|
| FEATURES/BENEFITS PAGE B1-2 | SELECTION PAGE B1-5 | INTERCHANGE PAGE B1-88 | ACCESSORIES PAGE B1-90 |
|--------------------------------|------------------------|---------------------------|---------------------------|

SELECTION/DIMENSIONS



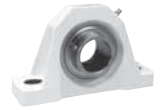
E-Z KLEEN Mounted Bearings

DL NORMAL DUTY BEARING CORROSION RESISTANT INSERTS FOR E-Z KLEEN BEARINGS

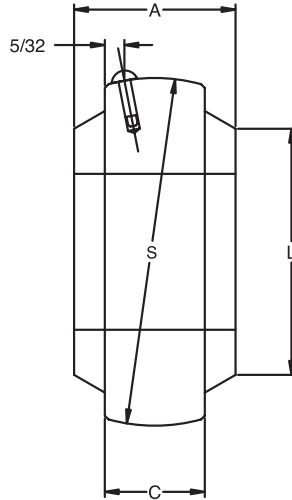
| Series | Shaft Size | Weight lbs kg | A | C | D | J | L | N | W | Y | Z |
|--------|----------------|---------------------|--------|--------|--------|-------|---------|--------|-------|---------|---------|
| 204 | 3/4 | 0.6 | 1-9/32 | 0.5906 | 1.8504 | 0.152 | 1-45/64 | No. 8 | 1/2 | 25/32 | 1-1/8 |
| | 20mm | 0.3 | 32.5 | 15.0 | 47.0 | 3.9 | 43.3 | M4 | 12.7 | 19.8 | 28.6 |
| 205 | 7/8 | 0.8 | 1-7/16 | 0.5906 | 2.0472 | 0.152 | 2 | No. 10 | 9/16 | 7/8 | 1-21/64 |
| | 15/16 | 0.8 | | | | | | | | | |
| | 1 25mm | 0.8 0.4 | 36.5 | 15.0 | 52.0 | 3.9 | 50.8 | M5 | 14.3 | 22.2 | 33.7 |
| 206 | 1-1/8 | 1.2 | 1-9/16 | 0.7087 | 2.4409 | 0.190 | 2-7/32 | No. 10 | 5/8 | 15/16 | 1-37/64 |
| | 1-3/16 | 1.2 | | | | | | | | | |
| | 1-1/4 30mm | 1.1 0.6 | 39.7 | 18.0 | 62.0 | 4.8 | 56.4 | M5 | 15.9 | 23.8 | 40.1 |
| 207 | 1-1/4 | 1.8 | 1-3/4 | 0.7480 | 2.8346 | 0.202 | 2-11/16 | 1/4 | 11/16 | 1-1/16 | 1-27/32 |
| | 1-3/8 | 1.8 | | | | | | | | | |
| | 1-7/16 35mm | 1.7 0.8 | 44.5 | 19.0 | 72.0 | 5.1 | 68.3 | M6 | 17.5 | 27.0 | 46.8 |
| 208 | 1-1/2 | 2.2 | 2 | 0.8661 | 3.1496 | 0.224 | 2-47/64 | 1/4 | 3/4 | 1-1/4 | 2-3/64 |
| | 40mm | 1.0 | 50.8 | 22.0 | 80.0 | 5.7 | 69.5 | M6 | 19.1 | 31.8 | 52.0 |
| 209 | 1-5/8 | 2.5 | 2 | 0.8661 | 3.3465 | 0.248 | 2-63/64 | 1/4 | 3/4 | 1-1/4 | 2-7/32 |
| | 1-11/16 | 2.5 | | | | | | | | | |
| | 1-3/4 45mm | 2.5 1.2 | 50.8 | 22.2 | 85.8 | 6.4 | 75.8 | M6 | 19.1 | 31.8 | 56.9 |
| 210 | 1-11/16 | 3.0 | 2-3/32 | 0.8661 | 3.5433 | 0.248 | 3-15/64 | 1/4 | 3/4 | 1-11/32 | 2-7/16 |
| | 1-15/16 | 3.0 | | | | | | | | | |
| | 2 50mm | 3.0 1.4 | 53.2 | 22.0 | 90.0 | 6.3 | 82.1 | M6 | 19.1 | 34.1 | 61.9 |

| | | | |
|--------------------------------|------------------------|---------------------------|---------------------------|
| FEATURES/BENEFITS PAGE B1-2 | SELECTION PAGE B1-5 | INTERCHANGE PAGE B1-88 | ACCESSORIES PAGE B1-90 |
|--------------------------------|------------------------|---------------------------|---------------------------|

SELECTIONS/DIMENSIONS



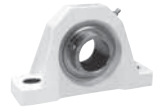
E-Z KLEEN Mounted Bearings PSEZ POLYMER SLEEVE BEARING INSERTS



| Series | Shaft Size | Part No. | Description |
|--------|------------|---------------|-------------|
| 204 | 3/4 | 032867 | INS-PS-012 |
| | 20mm | 032868 | INS-PS-20M |
| 205 | 1 | 032872 | INS-PS-100 |
| | 25mm | 032871 | INS-PS-25M |
| 206 | 1-3/16 | 032875 | INS-PS-103 |
| | 1-1/4 | 032876 | INS-PS-104S |
| | 30mm | 032874 | INS-PS-30M |
| 207 | 1-1/4 | 032877 | INS-PS-104 |
| | 1-7/16 | 032879 | INS-PS-107 |
| | 35mm | 032878 | INS-PS-35M |
| 208 | 1-1/2 | 032881 | INS-PS-108 |
| | 40mm | 032882 | INS-PS-40M |
| 210 | 1-15/16 | 032886 | INS-PS-115 |
| | 50mm | 032887 | INS-PS-50M |

| | | | |
|--------------------------------|------------------------|---------------------------|---------------------------|
| FEATURES/BENEFITS PAGE B1-2 | SELECTION PAGE B1-5 | INTERCHANGE PAGE B1-88 | ACCESSORIES PAGE B1-90 |
|--------------------------------|------------------------|---------------------------|---------------------------|

SELECTION/DIMENSIONS



E-Z KLEEN Mounted Bearings PSEZ POLYMER SLEEVE BEARING INSERTS

Bearing Quick Reference

E-Z KLEEN

GRIP TIGHT Adapter Ball Bearing

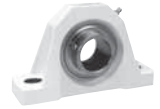
Set Screw Ball Bearing

Eccentric Collar Ball Bearing

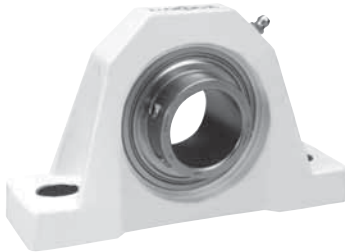
| Series | Shaft Size | Weight lbs kg | A | C | L | S |
|--------|-------------------------|----------------------|----------------|---------------|-----------------|----------------------------------|
| 204 | 3/4 20mm | 0.25 0.14 | 1 25.4 | 11/16 17.5 | 1-5/16 33.3 | 1.8465/1.8395 46.9011/46.7233 |
| 205 | 1 25mm | 0.25 0.15 | 1-1/16 27 | 11/16 17.5 | 1-7/16 36.5 | 2.0435/2.0365 51.9049/51.7271 |
| 206 | 1-3/16 1-1/4 30mm | 0.36 0.35 0.16 | 1-3/16 30.2 | 13/16 20.6 | 1-11/16 42.9 | 2.437/2.428 61.8988/61.6712 |
| 207 | 1-1/4 1-7/16 35mm | 0.40 0.35 0.18 | 1-5/16 33.3 | 13/16 20.6 | 2 50.8 | 2.829/2.820 71.8566/71.6280 |
| 208 | 1-1/2 40mm | 0.46 0.21 | 1-1/2 38.1 | 7/8 22.2 | 2 50.8 | 3.144/3.135 79.8576/79.6790 |
| 210 | 1-15/16 50mm | 0.50 0.23 | 1-5/8 41.3 | 15/16 23.8 | 2-9/16 65.1 | 3.5375/3.5275 89.8525/89.5985 |

| | | | |
|--------------------------------|------------------------|---------------------------|---------------------------|
| FEATURES/BENEFITS PAGE B1-2 | SELECTION PAGE B1-5 | INTERCHANGE PAGE B1-88 | ACCESSORIES PAGE B1-90 |
|--------------------------------|------------------------|---------------------------|---------------------------|

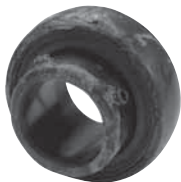
INTERCHANGE



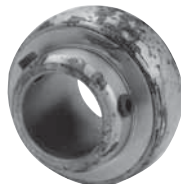
E-Z KLEEN Competitive Comparison



| Manufacturer | Brand Name | Housing Material | Insert Material | Example 1" Pillow Block Description | Pillow Block |
|--------------|----------------------|----------------------------|---------------------------|-------------------------------------|--------------|
| Dodge | E-Z KLEEN | Polymer/Composite | Nickel teflon CR Setscrew | P2B-SCEZ-100-PCR | P2B |
| | E-Z KLEEN | 300 Series Stainless Steel | Nickel teflon CR Setscrew | P2B-SCEZ-100-SHCR | P2B |
| | E-Z KLEEN | Polymer/Composite | Nickel teflon CR D-Lok | P2B-DLEZ-100-PCR | P2B |
| | E-Z KLEEN | 300 Series Stainless Steel | Nickel teflon CR D-Lok | P2B-DLEZ-100-SHCR | P2B |
| AMI | Corrosion Protection | Polymer/Composite | Zinc | UCPPL205-16MZZ | UCPPL |
| | Corrosion Protection | Polymer/Composite | 400 Series Stainless | MUCPPL205-16 | MUCPPL |
| | Corrosion Protection | 300 Series Stainless Steel | 400 Series Stainless | MUCP-16 | MUCP |
| Browning | CRES CZ | Polymer/Composite | Zinc Plated | CPS-Z216 | CPS |
| | CRES CS | Polymer/Composite | 400 Series Stainless | CPS-S216 | CPS-S |
| | CRES SS | 300 Series Stainless Steel | 400 Series Stainless | SPS-S216 | SPS-S |
| Fafnir | Survivor | Polymer/Composite | TDC | YAS1PT | YAS |
| IPTCI | Corrosion Resistant | Polymer/Composite | Black Oxide | BUCTP 205-16 | BUCTP |
| | Corrosion Resistant | Polymer/Composite | 400 Series Stainless | SUCTP 205-16 | SUCTP |
| | Corrosion Resistant | 300 Series Stainless Steel | 400 Series Stainless | SUCSP 205-16 | SUCSP |
| Linkbelt | Klean-Gard | Polymer/Composite | Black Oxide | KP-S216 | KP-S |
| | Klean-Gard | Polymer/Composite | 400 Series Stainless | KPS-S216 | KPS-S |
| MRC | Z-MaRC | Polymer/Composite | Zinc | CPB100ZM | CPB |
| | Marathon | Polymer/Composite | 400 Series Stainless | CPB100SS | CPB |
| Sealmaster | PN Gold | Polymer/Composite | Phosphate Nickel | CRPC-PN16 | CRPC |
| | CR Gold | 300 Series Stainless Steel | Black Oxide | NP-16C CR | NP |
| | Bev Gold | 300 Series Stainless Steel | TDC | CRPS-16 | CRPS |



Block Oxide Coated Insert After Accelerated Corrosion Resistant Test



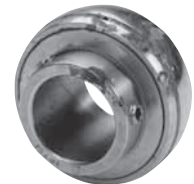
Thin Dense Chrome (TDC) Insert After Accelerated Corrosion Resistant Test



DODGE CR Insert After Accelerated Corrosion Resistant Test



Zinc Plated Insert After Accelerated Corrosion Resistant Test



400 Series Stainless Insert After Accelerated Corrosion Resistant Test

| | | | |
|--------------------------------|------------------------|--------------------------|---------------------------|
| FEATURES/BENEFITS PAGE B1-2 | SELECTION PAGE B1-5 | DIMENSIONS PAGE B1-14 | ACCESSORIES PAGE B1-90 |
|--------------------------------|------------------------|--------------------------|---------------------------|

INTERCHANGE

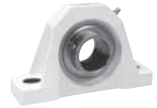


E-Z KLEEN Competitive Comparison

| Manufacturer | Brand Name | Two Bolt Flange | Four Bolt Flange | Tapped Based | Flange Bracket | Wide Slot Take up |
|--------------|----------------------|-----------------|------------------|--------------|----------------|-------------------|
| Dodge | E-Z KLEEN | F2B | F4B | TB | FC | WSTU |
| | E-Z KLEEN | F2B | F4B | n/a | n/a | n/a |
| | E-Z KLEEN | F2B | F4B | TB | FC | WSTU |
| | E-Z KLEEN | F2B | F4B | n/a | n/a | n/a |
| AMI | Corrosion Protection | UCNFL | UCFPL | UCTBL | UCFBL | UCTPL |
| | Corrosion Protection | MUCNFL | MUCFPL | MUCTBL | MUCFBL | MUCTPL |
| | Corrosion Protection | MUCFL | MUCF | n/a | n/a | n/a |
| Browning | CRES CZ | CF2S | CF4S | CTBS | n/a | n/a |
| | CRES CS | CF2S-S | CF4S-S | n/a | n/a | n/a |
| | CRES SS | SF2S-S | SF4S-S | n/a | n/a | n/a |
| Fafnir | Survivor | YCJT | YCJ | n/a | n/a | n/a |
| IPTCI | Corrosion Resistant | BUCTFL | BUCTF | BUCTPA | BUCTFB | BUCTTRS |
| | Corrosion Resistant | SUCTFL | SUCTF | SUCTPA | SUCTFB | SUCTTRS |
| | Corrosion Resistant | SUCSFL | SUCSF | SUCSPA | SUCSFB | n/a |
| Linkbelt | Klean-Gard | KFX-S | KF-S | n/a | n/a | n/a |
| | Klean-Gard | KFXS-S | KFS-S | n/a | n/a | n/a |
| MRC | Z-MaRC | C2F | C4F | CTB | CBF | CTW |
| | Marathon | C2F | C4F | CTB | CBF | CTW |
| Sealmaster | PN Gold | CRFTC | CRFC | n/a | n/a | n/a |
| | CR Gold | SFT | SF | n/a | FB | n/a |
| | Bev Gold | CRFTS | CRFS | n/a | CRFBS | n/a |

| | | | |
|--------------------------------|------------------------|--------------------------|---------------------------|
| FEATURES/BENEFITS PAGE B1-2 | SELECTION PAGE B1-5 | DIMENSIONS PAGE B1-14 | ACCESSORIES PAGE B1-90 |
|--------------------------------|------------------------|--------------------------|---------------------------|

ACCESSORIES



E-Z KLEEN Polymer and Stainless Steel Housed Mounted Bearings END CLOSURES

| Series | For Shaft Size | Closed End Closure | | Open End Closure | |
|--------|----------------|--------------------|-------------|------------------|-------------|
| | | Part Number | Description | Part Number | Description |
| 204 | 3/4 | 128960 | ECC-EZ-204 | 128974 | ECO-EZ-012 |
| | 20mm | | | 128991 | ECO-EZ-20M |
| 205 | 1 | 128961 | ECC-EZ-205 | 128975 | ECO-EZ-100 |
| | 25mm | | | 128992 | ECO-EZ-25M |
| 206 | 1-3/16 | 128962 | ECC-EZ-206 | 128976 | ECO-EZ-103 |
| | 1-1/4 | | | 128989 | ECO-EZ-104S |
| | 30mm | | | 128993 | ECO-EZ-30M |
| 207 | 1-1/4 | 128963 | ECC-EZ-207 | 128977 | ECO-EZ-104 |
| | 1-7/16 | | | 128990 | ECO-EZ-107 |
| | 35mm | | | 128994 | ECO-EZ-35M |
| 208 | 1-1/2 | 128964 | ECC-EZ-208 | 128978 | ECO-EZ-108 |
| | 40mm | | | 128996 | ECO-EZ-40M |
| 209 | 1-11/16 | 128965 | ECC-EZ-209 | @ | ECO-EZ-111 |
| | 45mm | | | @ | ECO-EZ-45M |
| 210 | 1-15/16 | 128966 | ECC-EZ-210 | 128980 | ECO-EZ-115 |
| | 2 50mm | | | 128997 | ECO-EZ-50M |

@ Made to order

FEATURES/BENEFITS
PAGE B1-2

SELECTION
PAGE B1-5

DIMENSIONS
PAGE B1-14

INTERCHANGE
PAGE B1-88

ACCESSORIES



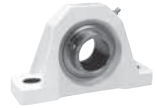
E-Z KLEEN Polymer and Stainless Steel Housed Mounted Bearings END CLOSURES

| Series | For Shaft Size | Weight lbs (kg) | A | B | L | | W |
|--------|----------------|-----------------|---------|---------|---------|---------|-------|
| | | | | | ECC- | ECO- | |
| 204 | 3/4 | 0.18 | 1-57/64 | 1-3/8 | 1-1/8 | 1-3/16 | 17/32 |
| | 20mm | 0.005 | 48.01 | 35.05 | 28.58 | 30.16 | 13.49 |
| 205 | 1 | 0.22 | 2-11/64 | 1-39/64 | 1-3/16 | 1-1/4 | 17/32 |
| | 25mm | 0.006 | 55.12 | 40.89 | 30.16 | 31.75 | 13.49 |
| 206 | 1-3/16 | 0.33 | 2-1/2 | 1-31/32 | 1-11/32 | 1-25/64 | 9/16 |
| | 1-1/4 30mm | 0.009 | 63.50 | 50.04 | 33.73 | 35.32 | 14.29 |
| 207 | 1-1/4 | 0.44 | 2-29/32 | 2-5/16 | 1-15/32 | 1-17/32 | 11/16 |
| | 1-7/16 35mm | 0.012 | 73.91 | 58.93 | 37.31 | 38.89 | 17.46 |
| 208 | 1-1/2 | 0.62 | 3-5/16 | 2-49/64 | 1-17/32 | 1-19/32 | 11/16 |
| | 40mm | 0.017 | 84.07 | 70.10 | 38.89 | 40.48 | 17.46 |
| 209 | 1-11/16 | 0.76 | 3-1/2 | 2-7/8 | 1-5/8 | 1-21/32 | 23/32 |
| | 45mm | 0.021 | 88.90 | 72.90 | 40.48 | 42.07 | 18.26 |
| 210 | 1-15/16 2 | 0.80 | 3-5/8 | 3 | 1-21/32 | 1-23/32 | 29/32 |
| | 50mm | 0.022 | 92.08 | 76.20 | 42.07 | 43.66 | 23.02 |

| Series | For Shaft Size | ECC- add on dimension | | | ECO- add on dimension | | |
|--------|----------------|-----------------------|--------------|---------|-----------------------|--------------|---------|
| | | P2B & TB | 2B, 4B, & FB | Take-Up | P2B & TB | 2B, 4B, & FB | Take-Up |
| 204 | 3/4 | 45/64 | 1-1/16 | 49/64 | 49/64 | 1-1/8 | 53/64 |
| | 20mm | 17.86 | 26.99 | 19.45 | 19.45 | 28.58 | 21.03 |
| 205 | 1 | 47/64 | 1-3/32 | 51/64 | 51/64 | 1-5/32 | 55/64 |
| | 25mm | 18.65 | 27.78 | 20.24 | 20.24 | 29.37 | 21.83 |
| 206 | 1-3/16 | 25/32 | 1-1/4 | 7/8 | 27/32 | 1-5/16 | 15/16 |
| | 1-1/4 30mm | 19.84 | 31.75 | 22.23 | 21.43 | 33.34 | 23.81 |
| 207 | 1-1/4 | 29/32 | 1-3/8 | 1-1/32 | 31/32 | 1-7/16 | 1-3/32 |
| | 1-7/16 35mm | 23.02 | 34.93 | 26.19 | 24.61 | 36.51 | 27.78 |
| 208 | 1-1/2 | 59/64 | 1-29/64 | ---- | 63/64 | 1-33/64 | ---- |
| | 40mm | 23.42 | 36.91 | ---- | 25.00 | 38.50 | ---- |
| 209 | 1-11/16 | 15/16 | 1-1/2 | ---- | 1 | 1-9/16 | ---- |
| | 45mm | 23.81 | 38.10 | ---- | 25.40 | 39.69 | ---- |
| 210 | 1-15/16 2 | 29/32 | 1-37/64 | ---- | 31/32 | 1-41/64 | ---- |
| | 50mm | 23.02 | 40.08 | ---- | 24.61 | 41.67 | ---- |

| | | | |
|--------------------------------|------------------------|--------------------------|---------------------------|
| FEATURES/BENEFITS PAGE B1-2 | SELECTION PAGE B1-5 | DIMENSIONS PAGE B1-14 | INTERCHANGE PAGE B1-88 |
|--------------------------------|------------------------|--------------------------|---------------------------|

ACCESSORIES



Polymer Housed Units SOLID STEEL SHAFT COLLARS

| Shaft Size | Part Number* | | Dimensions | | | |
|------------|--------------|-----------|------------|-------|-------|--------|
| | Steel | Stainless | OD | Width | Screw | Weight |
| 1/8 | - | 456225 | 0.36 | 0.25 | #6 | 0.01 |
| 3/16 | 040001 | 456226 | 0.44 | 0.25 | #8 | 0.01 |
| 1/4 | 040002 | 456227 | 0.50 | 0.28 | #10 | 0.01 |
| 5/16 | 040003 | 456228 | 0.63 | 0.34 | 1/4 | 0.01 |
| 3/8 | 040004 | 456229 | 0.75 | 0.38 | 1/4 | 0.01 |
| 7/16 | 040005 | - | 0.88 | 0.44 | 1/4 | 0.05 |
| 1/2 | 040006 | 456230 | 1.00 | 0.44 | 1/4 | 0.1 |
| 9/16 | 040007 | - | 1.00 | 0.44 | 184 | 0.1 |
| 5/8 | 040008 | 456231 | 1.13 | 0.50 | 5/16 | 0.1 |
| 11/16 | 040009 | - | 1.25 | 0.56 | 5/16 | 0.1 |
| 3/4 | 040010 | 456232 | 1.25 | 0.56 | 5/16 | 0.1 |
| 13/16 | 040011 | - | 1.31 | 0.56 | 5/16 | 0.1 |
| 7/8 | 040012 | 456234 | 1.50 | 0.56 | 5/16 | 0.2 |
| 15/16 | 040013 | - | 1.63 | 0.56 | 5/16 | 0.2 |
| 1 | 040014 | 456234 | 1.63 | 0.63 | 5/16 | 0.2 |
| 1-1/16 | 040015 | - | 1.75 | 0.63 | 5/16 | 0.2 |
| 1-1/8 | 040016 | 456235 | 1.75 | 0.63 | 5/16 | 0.2 |
| 1-3/16 | 040017 | - | 2.00 | 0.69 | 3/8 | 0.4 |
| 1-1/4 | 040018 | 456236 | 2.00 | 0.69 | 3/8 | 0.4 |
| 1-5/16 | 040019 | - | 2.13 | 0.69 | 3/8 | 0.4 |
| 1-3/8 | 040020 | - | 2.13 | 0.75 | 3/8 | 0.4 |
| 1-7/16 | 040021 | 456237 | 2.25 | 0.75 | 3/8 | 0.5 |
| 1-1/2 | 040022 | - | 2.25 | 0.75 | 3/8 | 0.5 |
| 1-9/16 | 040023 | - | 2.50 | 0.81 | 3/8 | 0.7 |
| 1-5/8 | 040024 | - | 2.50 | 0.81 | 3/8 | 0.6 |
| 1-11/16 | 040025 | - | 2.50 | 0.81 | 3/8 | 0.6 |
| 1-3/4 | 040026 | 456238 | 2.75 | 0.88 | 1/2 | 0.8 |
| 1-7/8 | 040027 | - | 2.75 | 0.88 | 1/2 | 0.8 |
| 1-15/16 | 040028 | - | 3.00 | 0.88 | 1/2 | 1.0 |
| 2 | 040029 | 456239 | 3.00 | 0.88 | 1/2 | 1.0 |
| 2-3/16 | 040030 | - | 3.25 | 0.94 | 1/2 | 1.2 |
| 2-1/4 | 040031 | - | 3.25 | 0.94 | 1/2 | 1.2 |
| 2-7/16 | 040032 | - | 3.50 | 1.00 | 1/2 | 1.4 |
| 2-1/2 | 040033 | - | 3.50 | 1.00 | 1/2 | 1.3 |
| 2-15/16 | 040034 | - | 4.25 | 1.13 | 1/2 | 2.2 |

* Material Steel is mild carbon steel
Stainless is 300-series stainless
All sizes are fitted with one setscrew

FEATURES/BENEFITS
PAGE B1-2

SELECTION
PAGE B1-5

DIMENSIONS
PAGE B1-14

INTERCHANGE
PAGE B1-88

CONTENTS



GRIP TIGHT® Adapter Ball Bearings

| | |
|--|-------|
| Features / Benefits | B2-2 |
| How to Order / Nomenclature | B2-4 |
| Selection | B2-5 |
| Selection/Dimensions | |
| GRIP TIGHT Pillow Blocks | |
| GT Normal Duty | B2-8 |
| GTAH Air Handling | B2-12 |
| GTB Low Back | B2-16 |
| GTM Medium Duty | B2-22 |
| GTMAH Air Handling. | B2-26 |
| GT Tapped Base | B2-30 |
| GRIP TIGHT 2 Bolt Flanges | |
| GT Normal Duty | B2-32 |
| GTAH Air Handling | B2-36 |
| GTM Medium Duty | B2-40 |
| GT LFT Normal Duty. | B2-42 |
| GRIP TIGHT 3 Bolt Flanges | |
| GT FB Flanged Brackets. | B2-44 |
| GT LF Normal Duty. | B2-46 |
| GRIP TIGHT 4 Bolt Flanges | |
| GT Normal Duty | B2-48 |
| GTAH Air Handling | B2-52 |
| GTM Medium Duty | B2-56 |
| GTMAH Air Handling. | B2-60 |
| GRIP TIGHT Piloted Flanges (flanged cartridge) | |
| GT Normal Duty | B2-64 |
| GTM Medium Duty | B2-66 |
| GRIP TIGHT Take-Up Bearings | |
| GT Normal Duty Narrow Slot | B2-68 |
| GTM Medium Duty Narrow Slot | B2-72 |
| GT Normal Duty Wide Slot | B2-74 |
| GTM Medium Duty Wide Slot | B2-78 |
| GT Normal Duty Top Angle | B2-82 |
| GTM Medium Duty Top Angle | B2-84 |
| GRIP TIGHT Inserts | |
| GT Normal Duty | B2-86 |
| GTM Medium Duty | B2-90 |
| Related Products. | B2-96 |
| Part Number Index | |
| Key Word Index. | |

Bearing Quick Reference

E-Z KLEEN

GRIP TIGHT Adapter Ball Bearing

Set Screw Ball Bearing

Eccentric Collar Ball Bearing

FEATURES/BENEFITS



GRIP TIGHT® Adapter Ball Bearings

DODGE proudly introduces a new, totally different ball bearing with a name that says it all: GRIP TIGHT.

With its patent pending pull/push adapter system, fully concentric 360° inner ring, and completely interchangeable housing design, the new DODGE GRIP TIGHT Adapter ball bearing is the easy-on/easyoff solution for damage free shafting, reduced vibration, and greater cost/inventory savings.

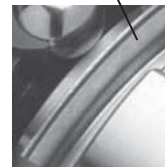
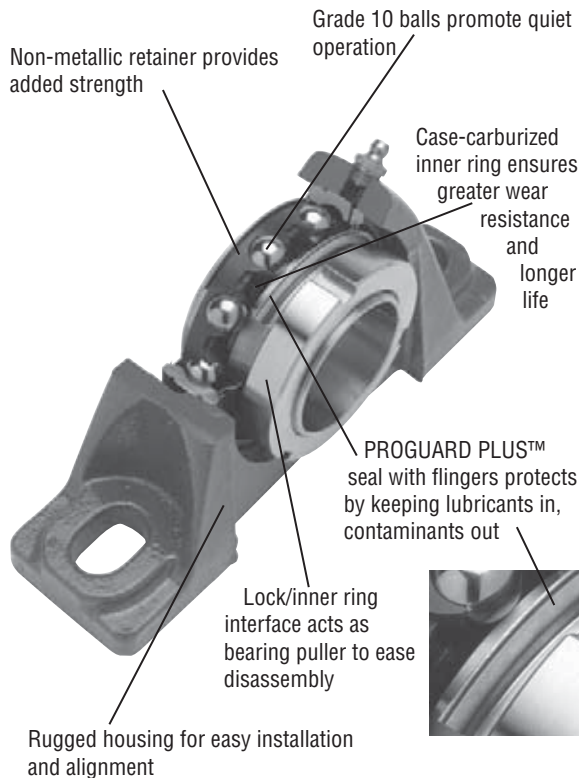
The new GRIP TIGHT Adapter ball bearing is shaft-ready right out of the box and offered in a variety of housing styles for normal and medium duty operations. It accommodates commercial grade and some undersize shafting to lower costs, and all GRIP TIGHT Adapter assemblies fit into a standard DODGE ball bearing housing.

Plus this new DODGE bearing has been specifically engineered to run at higher speeds and operate cooler for longer grease life.

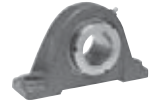
In test comparisons, the new GRIP TIGHT Adapter ball bearing even proved it could suppress fretting corrosion and scarring to shafts and journals, thus saving not only time but added labor/maintenance costs.

Easy-On / Easy-Off

During mounting, the patent pending collar/inner ring system locks the tapered adapter sleeve under the bearing and onto the shaft. To dismount, the built in bearing puller pulls the bearing off the adapter and pushes the adapter in the opposite direction (out from under the bearing).



FEATURES/BENEFITS



GRIP TIGHT® Adapter Ball Bearings

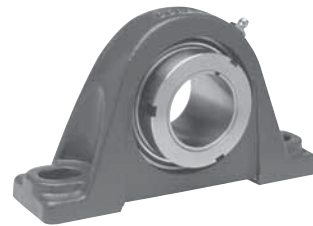
Housing Styles

Off the shelf and shaft ready, the DODGE GRIP TIGHT Adapter ball bearing is offered for normal and medium duty in a variety of housing styles, including pillow block; tapped base; two-, three-, and four-bolt flange; piloted flange; take-up, and E-Z KLEEN design.



Less Product Inventory for Significant Savings

With DODGE GRIP TIGHT Adapter ball bearings, you can reduce your inventory as much as 25% - 45%. Rather than inventory a complete line of individual bore sizes for each housing style, you can now purchase a housing assembly and adapters separately, with the adapter determining the bore size within a housing series.

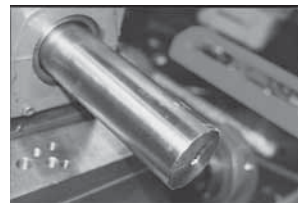


Damage Free Shafting

The new DODGE GRIP TIGHT Adapter bearing features a unique adapter-mount design that is specifically developed to withstand axial forces that are generated during mounting or dismounting. The adapter provides superior holding power, as well as suppresses fretting corrosion and vibration.



In test comparisons, a setscrew mounted bearing promotes shaft fretting corrosion and scarring. But the new DODGE GRIP TIGHT Adapter bearing comes off the shaft quickly and reveals no shaft fretting corrosion or scarring. There is no need to recondition your shaft so you save time and avoid added labor/maintenance.



Full Contact on Shaft for Better Grip, Less Vibration

Setscrew locking can distort the inner ring and cause system induced vibration. But with the new DODGE GRIP TIGHT Adapter, the adapter attaches itself to the shaft for full concentric contact 360° through the length of the bearing.



Bearing Quick Reference

E-Z KLEEN

GRIP TIGHT Adapter Ball Bearing

Set Screw Ball Bearing

Eccentric Collar Ball Bearing

HOW TO ORDER NOMENCLATURE



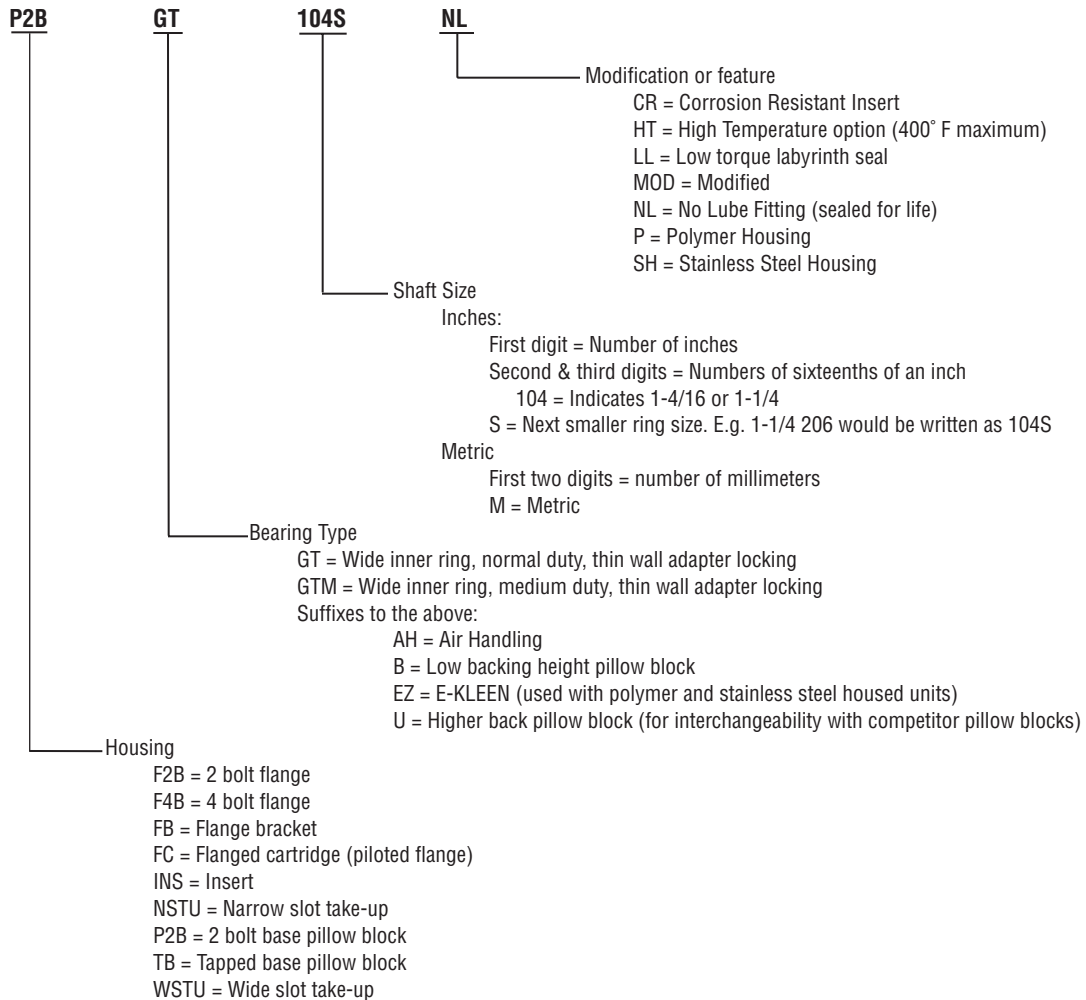
GRIP TIGHT Thin Wall Adapter Ball Bearings

There are two ways to specify DODGE Bearings. Most of the product offerings have part numbers with listings shown throughout this catalog. Use of the part numbers ensures accurate order processing.

When part numbers are not shown, the product may be specified by description or part name.

This method is used when ordering units that include modifications or options. To order by description, use the nomenclature key shown below and add any special instructions to the end of the description for options not covered by the nomenclature.

Nomenclature



Bearing Quick Reference

E-Z-KLEEN

GRIP TIGHT Adapter Ball Bearing

Set Screw Ball Bearing

Eccentric Collar Ball Bearing

| | | | |
|--------------------------------|------------------------|------------------------------------|--------------------------------|
| FEATURES/BENEFITS PAGE B2-2 | SELECTION PAGE B2-5 | SELECTION/DIMENSIONS PAGE B2-30 | RELATED PRODUCTS PAGE B2-96 |
|--------------------------------|------------------------|------------------------------------|--------------------------------|

SELECTION



GRIP TIGHT Adapter Ball Bearings

DODGE mounted ball bearings are primarily designed for radial loading. However, they have the capacity to carry thrust loads and combined radial/thrust loads. The maximum recommended load which can be applied is limited by various components in the system, such as bearing, housing, shaft attachments, speed and life requirements. DODGE mounted ball bearings have been applied successfully when these limits have been exceeded under controlled operating conditions. Contact DODGE Engineering for applications which exceed these recommendations.

Select a bearing from the Selection Chart that has a radial load rating at the operating speed equal to or greater than the calculated Equivalent Radial Load for a desired L₁₀ life. This simple method is all that is required for the majority of general applications and provides for occasional average shock loads.

L₁₀ Hours Life-is the life which may be expected for at least 90% of a given group of bearings operating under identical conditions. For an L₁₀ hours life other than those listed in the Selection Chart, multiply the equivalent Radial load by one of the following factors. For 50,000 L₁₀ hours life, use a factor of 1.18 and for 80,000, use 1.39. Then select a bearing from the bold face (30,000) L₁₀ ratings only in the Selection Chart that has a rating equal to or greater than this value.

Heavy Service-For heavy shock loads, frequent shock loads or severe vibrations, add up to 50% (according to severity of conditions) to the Equivalent Radial Load to obtain a Modified Equivalent Radial Load. Consult Application Engineering for additional selection assistance.

A thrust load value of C/10 is recommended as a guide for general applications and will give adequate L10 life. Where substantial radial load pulls the housing away from the mounting base, both the hold-down bolts and housing must be of adequate strength. Auxiliary load carrying devices, such as shear bars, are advisable for side or end-loading of pillow blocks and radial loads for flange units.

To determine the L₁₀ hours life for loads and RPM's not listed use the following equation:

$$L_{10} = \left(\frac{C}{P}\right)^3 \times \frac{16667}{\text{RPM}}$$

Where:

L₁₀ = Life, hours

C = Dynamic Capacity, lbs. or N

P = Equivalent Radial Load, lbs. or N

When the load on a ball bearing is solely a radial load with no thrust (axial) load, the Equivalent Radial Load (P) is equal to the actual radial load. However, when a thrust (axial) load is applied, the radial and thrust loads applied must be converted into an Equivalent Radial Load. The use of the X (radial factor) and Y (thrust factor) from Table 1 convert the actual applied thrust and radial loads to an Equivalent Radial Load which has the same effect on the life of a bearing as a radial load of this magnitude.

$$P = (X \times F_R) + (Y \times F_A)$$

Where:

P = Equivalent Radial Load, lbs.

F_R = Radial load, lbs.

F_A = Thrust load, lbs.

e = Thrust load to radial load factor (Table 1)

X = Radial load factor (Table 1)

Y = Thrust Factor (Table 1)

C₀ = Basic static capacity

To find X and Y, first calculate F_A/C₀ to determine e. Calculate F_A/F_R and compare to e to determine the X and Y factors to use from Table 1.

Substitute all known values into the Equivalent Radial Load equation. The Equivalent Radial loads (P) thus determined can be used in the L₁₀ life formula or compared to the allowable Equivalent Radial Load rating desired in the expanded rating chart to select a bearing (Table 2).

If calculated value of P is less than F_R, use P=F_R.

Table 1:

| F _A | e | Radial/Thrust Factors | | | |
|----------------|-----|--|---|---|------|
| | | If F _A /F _R is equal to or less than e | | If F _A /F _R is greater than e | |
| | | F _A /F _R ≤ e | | F _A /F _R > e | |
| C ₀ | | X | Y | X | Y |
| .014 | .19 | 1 | 0 | 0.56 | 2.30 |
| .021 | .21 | 1 | 0 | 0.56 | 2.15 |
| .028 | .22 | 1 | 0 | 0.56 | 1.99 |
| .042 | .24 | 1 | 0 | 0.56 | 1.85 |
| .056 | .26 | 1 | 0 | 0.56 | 1.71 |
| .070 | .27 | 1 | 0 | 0.56 | 1.63 |
| .084 | .28 | 1 | 0 | 0.56 | 1.55 |
| .110 | .30 | 1 | 0 | 0.56 | 1.45 |
| .170 | .34 | 1 | 0 | 0.56 | 1.31 |
| .280 | .38 | 1 | 0 | 0.56 | 1.15 |
| .420 | .42 | 1 | 0 | 0.56 | 1.04 |
| .560 | .44 | 1 | 0 | 0.56 | 1.00 |

Lubrication-DODGE Ball Bearings are lubricated at the factory and are ready to run. The bearings are initially lubricated with a lithium complex based grease and should be relubricated with the same or some equivalent. For high speeds, high loads, extreme temperatures and other abnormal operating conditions, special greases may be required. Contact DODGE Application Engineering for recommendations on these types of applications.

Misalignment-DODGE Ball Bearings are designed to allow a maximum of ± 2° static misalignment. These bearings are not suitable for dynamic misalignment. To ensure good alignment, mounting surfaces must be checked for flatness and must lie in the same plane. When tightening base bolts, each bolt should be alternately tightened in incremental torque values until full torque is achieved to prevent the angular shifting of the pillow block that occurs when one bolt is tightened to its full torque. Shimming may be required to minimize misalignment.

| Normal Shaft Size Inches | Shaft Tolerances | | Recommended Shaft Tolerances GRIP TIGHT Ball Bearings Inches |
|--------------------------|------------------|-------------------------|--|
| | Commercial | Shaft Tolerances Inches | |
| Up to 1-1/2 | | +0.000 -0.002 | +0.000 -0.002 |
| Over 1-1/2" to 2-1/2 | | +0.000 -0.003 | +0.000 -0.003 |
| Over 2-1/2 | | +0.000 -0.004 | +0.000 -0.004 |

| | | | |
|--------------------------------|--|------------------------|--------------------------------|
| FEATURES/BENEFITS PAGE B2-2 | HOW TO ORDER/NOMENCLATURE PAGE B2-4 | SELECTION PAGE B2-5 | RELATED PRODUCTS PAGE B2-96 |
|--------------------------------|--|------------------------|--------------------------------|

SELECTION



GRIP TIGHT Adapter Ball Bearings

Table 2: Easy Selection Table

| Ring Size | Shaft Size | | DYNAMIC CAPACITY C (LBS) | STATIC CAPACITY Co (LBS) | Max RPM | | L10 LIFE Hours | ALLOWABLE EQUIVALENT RADIAL LOAD RATINGS (LBS.) AT VARIOUS RPM | | | | | | | | | | | | |
|-----------|-----------------------------------|---------------------------|--------------------------|--------------------------|------------------------------|---------------------|----------------|--|-------|-------|-------|-------|-------|-------|-------|-------|-------|-------|-------|-------|
| | GT | GTM | | | Proguard Plus (Contact) Seal | Labyrinth (LL) Seal | | 50 | 150 | 250 | 500 | 750 | 1,000 | 1,500 | 1,750 | 2,200 | 2,600 | 3,000 | 3,200 | 3,600 |
| 203 | 1/2 5/8 17mm | - | 2,158 | 1,000 | 12,000 | 14,500 | 20,000 | 551 | 382 | 322 | 256 | 224 | 203 | 177 | 169 | 156 | 148 | 141 | 138 | 133 |
| | | | | | | | 30,000 | 482 | 334 | 282 | 224 | 195 | 177 | 155 | 147 | 136 | 129 | 123 | 120 | 116 |
| | | | | | | | 40,000 | 438 | 303 | 256 | 203 | 177 | 161 | 141 | 134 | 124 | 117 | 112 | 109 | 105 |
| | | | | | | | 60,000 | 382 | 265 | 224 | 177 | 155 | 141 | 123 | 117 | 108 | 102 | 98 | 96 | 92 |
| | | | | | | | 100,000 | 322 | 224 | 189 | 150 | 131 | 119 | 104 | 99 | 91 | 86 | 82 | 81 | 77 |
| 204 | 3/4 20mm | - | 2,899 | 1,390 | 10,000 | 13,000 | 20,000 | 741 | 513 | 433 | 344 | 300 | 273 | 238 | 226 | 210 | 198 | 189 | 185 | 178 |
| | | | | | | | 30,000 | 647 | 449 | 378 | 300 | 262 | 238 | 208 | 198 | 183 | 173 | 165 | 162 | 155 |
| | | | | | | | 40,000 | 588 | 408 | 344 | 273 | 238 | 217 | 189 | 180 | 166 | 157 | 150 | 147 | 141 |
| | | | | | | | 60,000 | 513 | 356 | 300 | 238 | 208 | 189 | 165 | 157 | 145 | 138 | 131 | 128 | 123 |
| | | | | | | | 100,000 | 433 | 300 | 253 | 201 | 176 | 160 | 139 | 132 | 123 | 116 | 111 | 108 | 104 |
| 205 | 7/8 15/16 1 25mm | 3/4 | 3,146 | 1,565 | 9,000 | 12,000 | 20,000 | 804 | 557 | 470 | 373 | 326 | 296 | 259 | 246 | 228 | 215 | 205 | 201 | 193 |
| | | | | | | | 30,000 | 702 | 487 | 411 | 326 | 285 | 259 | 226 | 215 | 199 | 188 | 179 | 176 | 169 |
| | | | | | | | 40,000 | 638 | 442 | 373 | 296 | 259 | 235 | 205 | 195 | 181 | 171 | 163 | 159 | 153 |
| | | | | | | | 60,000 | 557 | 386 | 326 | 259 | 226 | 205 | 179 | 170 | 158 | 149 | 142 | 139 | 134 |
| | | | | | | | 100,000 | 470 | 326 | 275 | 218 | 191 | 173 | 151 | 144 | 133 | 126 | 120 | 117 | 113 |
| 206 | 1-1/8 1-3/16 1-1/4 30mm | 1 25mm | 4,368 | 2,250 | 7,500 | 11,000 | 20,000 | 1,116 | 774 | 652 | 518 | 452 | 411 | 359 | 341 | 316 | 299 | 285 | 279 | 268 |
| | | | | | | | 30,000 | 975 | 676 | 570 | 452 | 395 | 359 | 314 | 298 | 276 | 261 | 249 | 244 | 234 |
| | | | | | | | 40,000 | 886 | 614 | 518 | 411 | 359 | 326 | 285 | 271 | 251 | 237 | 226 | 221 | 213 |
| | | | | | | | 60,000 | 774 | 536 | 452 | 359 | 314 | 285 | 249 | 237 | 219 | 207 | 198 | 193 | 186 |
| | | | | | | | 100,000 | 652 | 452 | 382 | 303 | 265 | 240 | 210 | 199 | 185 | 175 | 167 | 163 | 157 |
| 207 | 1-1/4 1-3/8 1-7/16 35mm | 1-3/16 1-1/4 30mm | 5,759 | 3,065 | 6,300 | 9,500 | 20,000 | 1,471 | 1,020 | 860 | 683 | 596 | 542 | 473 | 450 | 417 | 394 | 376 | 368 | 354 |
| | | | | | | | 30,000 | 1,285 | 891 | 752 | 596 | 521 | 473 | 414 | 393 | 364 | 344 | 328 | 321 | 309 |
| | | | | | | | 40,000 | 1,168 | 810 | 683 | 542 | 473 | 430 | 376 | 357 | 331 | 313 | 298 | 292 | 281 |
| | | | | | | | 60,000 | 1,020 | 707 | 596 | 473 | 414 | 376 | 328 | 312 | 289 | 273 | 261 | 255 | 245 |
| | | | | | | | 100,000 | 860 | 596 | 503 | 399 | 349 | 317 | 277 | 263 | 244 | 230 | 220 | 215 | 207 |
| 208 | 1-1/2 40mm | 1-7/16 1-1/2** 35mm | 7,332 | 4,005 | 5,600 | 8,500 | 20,000 | 1,873 | 1,299 | 1,095 | 869 | 759 | 690 | 603 | 573 | 531 | 502 | 478 | 468 | 450 |
| | | | | | | | 30,000 | 1,636 | 1,134 | 957 | 759 | 663 | 603 | 527 | 500 | 463 | 438 | 418 | 409 | 393 |
| | | | | | | | 40,000 | 1,487 | 1,031 | 869 | 690 | 603 | 548 | 478 | 454 | 421 | 398 | 380 | 372 | 357 |
| | | | | | | | 60,000 | 1,299 | 900 | 759 | 603 | 527 | 478 | 418 | 397 | 368 | 348 | 332 | 325 | 312 |
| | | | | | | | 100,000 | 1,095 | 759 | 641 | 508 | 444 | 403 | 352 | 335 | 310 | 293 | 280 | 274 | 263 |
| 209 | 1-5/8 1-14/16 1-3/4 45mm | 1-1/2 40mm | 7,891 | 4,450 | 5,300 | 8,000 | 20,000 | 2,016 | 1,398 | 1,179 | 936 | 817 | 743 | 649 | 616 | 571 | 540 | 515 | 504 | 485 |
| | | | | | | | 30,000 | 1,761 | 1,221 | 1,030 | 817 | 714 | 649 | 567 | 538 | 499 | 472 | 450 | 440 | 423 |
| | | | | | | | 40,000 | 1,600 | 1,109 | 936 | 743 | 649 | 589 | 515 | 489 | 453 | 429 | 409 | 400 | 385 |
| | | | | | | | 60,000 | 1,398 | 969 | 817 | 649 | 567 | 515 | 450 | 427 | 396 | 374 | 357 | 349 | 336 |
| | | | | | | | 100,000 | 1,179 | 817 | 689 | 547 | 478 | 434 | 379 | 360 | 334 | 316 | 301 | 295 | 283 |
| 210 | 1-15/16 2 50mm | 1-11/16 1-3/4 45mm | 7,891 | 4,450 | 4,800 | 7,500 | 20,000 | 2,016 | 1,398 | 1,179 | 936 | 817 | 743 | 649 | 616 | 571 | 540 | 515 | 504 | 485 |
| | | | | | | | 30,000 | 1,761 | 1,221 | 1,030 | 817 | 714 | 649 | 567 | 538 | 499 | 472 | 450 | 440 | 423 |
| | | | | | | | 40,000 | 1,600 | 1,109 | 936 | 743 | 649 | 589 | 515 | 489 | 453 | 429 | 409 | 400 | 385 |
| | | | | | | | 60,000 | 1,398 | 969 | 817 | 649 | 567 | 515 | 450 | 427 | 396 | 374 | 357 | 349 | 336 |
| | | | | | | | 100,000 | 1,179 | 817 | 689 | 547 | 478 | 434 | 379 | 360 | 334 | 316 | 301 | 295 | 283 |
| 211 | 2 2-3/16 55mm | 1-15/16 2 50mm | 9,755 | 5,630 | 4,300 | 6,700 | 20,000 | 2,492 | 1,728 | 1,457 | 1,157 | 1,010 | 918 | 802 | 762 | 706 | 668 | 636 | 623 | 599 |
| | | | | | | | 30,000 | 2,177 | 1,509 | 1,273 | 1,010 | 883 | 802 | 701 | 665 | 617 | 583 | 556 | 544 | 523 |
| | | | | | | | 40,000 | 1,978 | 1,371 | 1,157 | 918 | 802 | 729 | 636 | 605 | 560 | 530 | 505 | 494 | 475 |
| | | | | | | | 60,000 | 1,728 | 1,198 | 1,010 | 802 | 701 | 636 | 556 | 528 | 489 | 463 | 441 | 432 | 415 |
| | | | | | | | 100,000 | 1,457 | 1,010 | 852 | 676 | 591 | 537 | 469 | 445 | 413 | 390 | 372 | 364 | 350 |
| 212 | 2-1/4 2-7/16 60mm | 2-3/16 2-1/4 55mm | 11,791 | 6,955 | 4,000 | 6,000 | 20,000 | 3,012 | 2,088 | 1,761 | 1,398 | 1,221 | 1,110 | 969 | 921 | 853 | 807 | 769 | 753 | 724 |
| | | | | | | | 30,000 | 2,631 | 1,824 | 1,539 | 1,221 | 1,067 | 969 | 847 | 804 | 745 | 705 | 672 | 658 | 632 |
| | | | | | | | 40,000 | 2,391 | 1,657 | 1,398 | 1,110 | 969 | 881 | 769 | 731 | 677 | 640 | 611 | 598 | 575 |
| | | | | | | | 60,000 | 2,088 | 1,448 | 1,221 | 969 | 847 | 769 | 672 | 638 | 592 | 559 | 533 | 522 | 502 |
| | | | | | | | 100,000 | 1,761 | 1,221 | 1,030 | 818 | 714 | 649 | 567 | 538 | 499 | 472 | 450 | 440 | 423 |
| 214 | 2-11/16 70mm | 2-7/16 2-1/2 65mm | 13,995 | 8,410 | 3,600 | 5,000 | 20,000 | 3,575 | 2,479 | 2,091 | 1,659 | 1,450 | 1,317 | 1,150 | 1,093 | 1,013 | 958 | 913 | 894 | 859 |
| | | | | | | | 30,000 | 3,123 | 2,165 | 1,826 | 1,450 | 1,266 | 1,150 | 1,005 | 955 | 885 | 837 | 798 | 781 | 751 |
| | | | | | | | 40,000 | 2,837 | 1,967 | 1,659 | 1,317 | 1,150 | 1,045 | 913 | 867 | 804 | 760 | 725 | 709 | 682 |
| | | | | | | | 60,000 | 2,479 | 1,719 | 1,450 | 1,150 | 1,005 | 913 | 758 | 702 | 664 | 633 | 620 | 596 | |
| | | | | | | | 100,000 | 2,091 | 1,450 | 1,223 | 970 | 848 | 770 | 673 | 639 | 592 | 560 | 534 | 523 | 503 |
| 215 | 2-15/16 75mm | 2-11/16 70mm | 14,872 | 9,255 | 3,200 | 4,800 | 20,000 | 3,799 | 2,634 | 2,222 | 1,763 | 1,540 | 1,400 | 1,223 | 1,161 | 1,076 | 1,018 | 970 | 950 | 913 |
| | | | | | | | 30,000 | 3,319 | 2,301 | 1,941 | 1,540 | 1,346 | 1,223 | 1,068 | 1,015 | 940 | 889 | 848 | 830 | 798 |
| | | | | | | | 40,000 | 3,015 | 2,091 | 1,763 | 1,400 | 1,223 | 1,111 | 970 | 922 | 854 | 808 | 770 | 754 | 725 |
| | | | | | | | 60,000 | 2,634 | 1,826 | 1,540 | 1,223 | 1,068 | 970 | 848 | 805 | 746 | 706 | 673 | 658 | 633 |
| | | | | | | | 100,000 | 2,222 | 1,540 | 1,299 | 1,031 | 901 | 818 | 715 | 679 | 629 | 595 | 567 | 555 | 534 |
| 216 | - | 2-15/16 3 75mm | 17,407 | 11,015 | 3,000 | 4,500 | 20,000 | 4,446 | 3,083 | 2,600 | 2,064 | 1,803 | 1,638 | 1,431 | 1,359 | 1,259 | 1,191 | 1,136 | 1,112 | 1,069 |
| | | | | | | | 30,000 | 3,884 | 2,693 | 2,272 | 1,803 | 1,575 | 1,431 | 1,250 | 1,187 | 1,100 | 1,041 | 992 | 971 | 934 |
| | | | | | | | 40,000 | 3,529 | 2,447 | 2,064 | 1,638 | 1,431 | 1,300 | 1,136 | 1,079 | 1,000 | 946 | 901 | 882 | 848 |
| | | | | | | | 60,000 | 3,083 | 2,138 | 1,803 | 1,431 | 1,250 | 1,136 | 992 | 942 | 873 | 826 | 788 | 771 | 741 |
| | | | | | | | 100,000 | 2,600 | 1,803 | 1,521 | 1,207 | 1,054 | 958 | 837 | 795 | 737 | 697 | 664 | 650 | 625 |
| 218 | - | 3-7/16 3-1/2 85mm | 21,451 | 13,940 | 2,600 | 3,800 | 20,000 | 5,479 | 3,799 | 3,204 | 2,543 | 2,222 | 2,019 | 1,763 | 1,675 | 1,552 | 1,468 | 1,400 | 1,370 | 1,317 |
| | | | | | | | 30,000 | 4,787 | 3,319 | 2,799 | 2,222 | 1,941 | 1,763 | 1,541 | 1,463 | 1,356 | 1,282 | 1,223 | 1,197 | 1,151 |
| | | | | | | | 40,000 | 4,349 | 3,015 | 2,543 | 2,019 | 1,763 | 1,602 | 1,400 | 1,330 | 1,232 | 1,165 | 1,111 | 1,087 | 1,045 |
| | | | | | | | 60,000 | 3,799 | 2,634 | 2,222 | 1,763 | 1,541 | 1,400 | 1,223 | 1,161 | 1,076 | 1,018 | 970 | 950 | 913 |
| | | | | | | | 100,000 | 3,204 | 2,222 | 1,874 | 1,487 | 1,299 | 1,181 | 1,031 | 980 | 908 | | | | |

SELECTION



GRIP TIGHT Adapter Ball Bearings

Table 2: Easy Selection Table

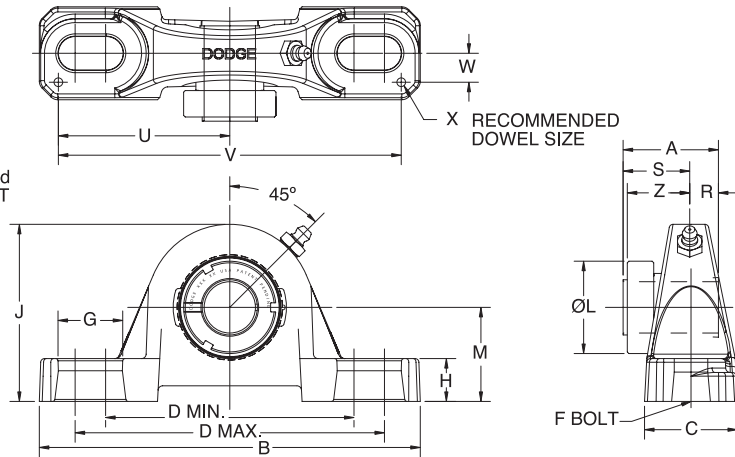
| Ring Size | Shaft Size | | L10 LIFE Hours | ALLOWABLE EQUIVALENT RADIAL LOAD RATINGS (LBS.) AT VARIOUS RPM | | | | | | | | | | | | | | | | | | | | | | |
|-----------|-----------------------------------|---------------------------|----------------|--|-------|-------|-------|-------|-------|-------|-------|-------|-------|-------|-------|-------|-------|-------|-------|--------|--------|--------|--------|--------|----|----|
| | GT | GTM | | 3,800 | 4,000 | 4,300 | 4,500 | 4,800 | 5,000 | 5,300 | 5,600 | 6,000 | 6,300 | 6,700 | 7,500 | 8,000 | 8,500 | 9,000 | 9,500 | 10,000 | 11,000 | 12,000 | 13,000 | 14,500 | | |
| 203 | 1/2 5/8 17mm | - | 20,000 | 130 | 128 | 125 | 123 | 120 | 119 | 116 | 114 | 112 | 110 | 108 | 104 | 102 | 100 | 98 | 96 | 94 | 91 | 89 | 86 | 83 | | |
| | | | 30,000 | 114 | 112 | 109 | 107 | 105 | 104 | 102 | 100 | 98 | 96 | 94 | 91 | 89 | 87 | 85 | 84 | 82 | 80 | 77 | 75 | 73 | | |
| | | | 40,000 | 103 | 102 | 99 | 98 | 96 | 94 | 92 | 91 | 89 | 87 | 85 | 82 | 81 | 79 | 77 | 76 | 75 | 72 | 70 | 69 | 66 | 66 | |
| | | | 60,000 | 90 | 89 | 87 | 85 | 83 | 82 | 81 | 79 | 77 | 76 | 75 | 72 | 70 | 69 | 68 | 66 | 65 | 63 | 62 | 60 | 60 | 58 | 58 |
| | | | 100,000 | 76 | 75 | 73 | 72 | 70 | 69 | 68 | 67 | 65 | 64 | 63 | 61 | 59 | 58 | 57 | 56 | 55 | 53 | 52 | 51 | 49 | | |
| 204 | 3/4 20mm | - | 20,000 | 175 | 172 | 168 | 165 | 162 | 160 | 156 | 154 | 150 | 148 | 145 | 139 | 136 | 134 | 131 | 129 | 127 | 123 | 119 | 116 | 116 | | |
| | | | 30,000 | 153 | 150 | 147 | 144 | 141 | 139 | 137 | 134 | 131 | 129 | 126 | 122 | 119 | 117 | 115 | 113 | 111 | 107 | 104 | 101 | 101 | | |
| | | | 40,000 | 139 | 136 | 133 | 131 | 128 | 127 | 124 | 122 | 119 | 117 | 115 | 111 | 108 | 106 | 104 | 102 | 101 | 97 | 95 | 92 | 92 | | |
| | | | 60,000 | 121 | 119 | 116 | 115 | 112 | 111 | 108 | 107 | 104 | 102 | 100 | 97 | 95 | 93 | 91 | 89 | 88 | 85 | 83 | 80 | 80 | | |
| | | | 100,000 | 102 | 101 | 98 | 97 | 95 | 93 | 92 | 90 | 88 | 86 | 85 | 82 | 80 | 78 | 77 | 75 | 74 | 72 | 70 | 70 | 68 | | |
| 205 | 7/8 15/16 1 25mm | 3/4 | 20,000 | 190 | 187 | 182 | 179 | 176 | 173 | 170 | 167 | 163 | 160 | 157 | 151 | 148 | 145 | 142 | 140 | 137 | 132 | 129 | 129 | 129 | | |
| | | | 30,000 | 166 | 163 | 159 | 157 | 153 | 151 | 148 | 146 | 142 | 140 | 137 | 132 | 129 | 127 | 125 | 124 | 122 | 120 | 116 | 113 | 113 | | |
| | | | 40,000 | 151 | 148 | 145 | 142 | 139 | 137 | 135 | 132 | 129 | 127 | 125 | 120 | 117 | 115 | 113 | 111 | 109 | 106 | 103 | 103 | | | |
| | | | 60,000 | 132 | 129 | 126 | 124 | 122 | 120 | 118 | 116 | 113 | 111 | 109 | 105 | 103 | 101 | 99 | 97 | 95 | 92 | 90 | 90 | | | |
| | | | 100,000 | 111 | 109 | 106 | 105 | 103 | 101 | 99 | 97 | 95 | 94 | 92 | 88 | 87 | 85 | 83 | 82 | 80 | 78 | 76 | | | | |
| 206 | 1-1/8 1-3/16 1-1/4 30mm | 1 25mm | 20,000 | 263 | 259 | 253 | 249 | 244 | 240 | 236 | 231 | 226 | 223 | 218 | 210 | 206 | 201 | 198 | 194 | 191 | 185 | | | | | |
| | | | 30,000 | 230 | 226 | 221 | 217 | 213 | 210 | 206 | 202 | 198 | 194 | 190 | 183 | 180 | 176 | 173 | 170 | 167 | 161 | | | | | |
| | | | 40,000 | 209 | 206 | 201 | 198 | 193 | 191 | 187 | 184 | 180 | 177 | 173 | 167 | 163 | 160 | 157 | 154 | 151 | 147 | | | | | |
| | | | 60,000 | 183 | 180 | 175 | 173 | 169 | 167 | 163 | 160 | 157 | 154 | 151 | 146 | 143 | 140 | 137 | 135 | 132 | 128 | | | | | |
| | | | 100,000 | 154 | 151 | 148 | 146 | 143 | 141 | 138 | 135 | 132 | 130 | 128 | 123 | 120 | 118 | 116 | 113 | 112 | 108 | | | | | |
| 207 | 1-1/4 1-1/4 1-7/16 35mm | 1-3/16 1-1/4 30mm | 20,000 | 347 | 341 | 333 | 328 | 321 | 317 | 311 | 305 | 298 | 293 | 287 | 277 | 271 | 266 | 261 | 256 | | | | | | | |
| | | | 30,000 | 303 | 298 | 291 | 287 | 281 | 277 | 272 | 267 | 261 | 256 | 251 | 242 | 237 | 232 | 228 | 224 | | | | | | | |
| | | | 40,000 | 276 | 271 | 265 | 261 | 255 | 252 | 247 | 242 | 237 | 233 | 228 | 220 | 215 | 211 | 207 | 203 | | | | | | | |
| | | | 60,000 | 241 | 237 | 231 | 228 | 223 | 220 | 216 | 212 | 207 | 203 | 199 | 192 | 188 | 184 | 181 | 177 | | | | | | | |
| | | | 100,000 | 203 | 200 | 195 | 192 | 188 | 185 | 182 | 178 | 174 | 172 | 168 | 162 | 158 | 155 | 152 | 150 | | | | | | | |
| 208 | 1-1/2 40mm | 1-7/16 1-1/2** 35mm | 20,000 | 442 | 435 | 424 | 418 | 409 | 403 | 396 | 389 | 380 | 374 | 366 | 352 | 345 | 338 | | | | | | | | | |
| | | | 30,000 | 386 | 380 | 371 | 365 | 357 | 352 | 346 | 339 | 332 | 326 | 320 | 308 | 301 | 295 | | | | | | | | | |
| | | | 40,000 | 351 | 345 | 337 | 332 | 325 | 320 | 314 | 308 | 301 | 297 | 290 | 280 | 274 | 268 | | | | | | | | | |
| | | | 60,000 | 307 | 301 | 294 | 290 | 284 | 280 | 274 | 269 | 263 | 259 | 254 | 244 | 239 | 234 | | | | | | | | | |
| | | | 100,000 | 259 | 254 | 248 | 244 | 239 | 236 | 231 | 227 | 222 | 218 | 214 | 206 | 202 | 198 | | | | | | | | | |
| 209 | 1-5/8 1-11/16 1-3/4 45mm | 1-1/2 40mm | 20,000 | 476 | 468 | 457 | 450 | 440 | 434 | 426 | 418 | 409 | 402 | 394 | 379 | 371 | | | | | | | | | | |
| | | | 30,000 | 416 | 409 | 399 | 393 | 385 | 379 | 372 | 365 | 357 | 351 | 344 | 331 | 324 | | | | | | | | | | |
| | | | 40,000 | 378 | 371 | 362 | 357 | 349 | 345 | 338 | 332 | 324 | 319 | 313 | 301 | 295 | | | | | | | | | | |
| | | | 60,000 | 330 | 324 | 317 | 312 | 305 | 301 | 295 | 290 | 283 | 279 | 273 | 263 | 257 | | | | | | | | | | |
| | | | 100,000 | 278 | 274 | 267 | 263 | 257 | 254 | 249 | 245 | 239 | 235 | 230 | 222 | 217 | | | | | | | | | | |
| 210 | 1-15/16 2 50mm | 1-11/16 1-3/4 45mm | 20,000 | 476 | 468 | 457 | 450 | 440 | 434 | 426 | 418 | 409 | 402 | 394 | 379 | | | | | | | | | | | |
| | | | 30,000 | 416 | 409 | 399 | 393 | 385 | 379 | 372 | 365 | 357 | 351 | 344 | 331 | | | | | | | | | | | |
| | | | 40,000 | 378 | 371 | 362 | 357 | 349 | 345 | 338 | 332 | 324 | 319 | 313 | 301 | | | | | | | | | | | |
| | | | 60,000 | 330 | 324 | 317 | 312 | 305 | 301 | 295 | 290 | 283 | 279 | 273 | 263 | | | | | | | | | | | |
| | | | 100,000 | 278 | 274 | 267 | 263 | 257 | 254 | 249 | 245 | 239 | 235 | 230 | 222 | | | | | | | | | | | |
| 211 | 2 2-3/16 55mm | 1-15/16 2 50mm | 20,000 | 588 | 578 | 565 | 556 | 544 | 537 | 527 | 517 | 505 | 497 | 487 | | | | | | | | | | | | |
| | | | 30,000 | 514 | 505 | 493 | 486 | 475 | 469 | 460 | 452 | 441 | 434 | 425 | | | | | | | | | | | | |
| | | | 40,000 | 467 | 459 | 448 | 441 | 432 | 426 | 418 | 410 | 401 | 394 | 386 | | | | | | | | | | | | |
| | | | 60,000 | 408 | 401 | 391 | 386 | 377 | 372 | 365 | 358 | 350 | 345 | 338 | | | | | | | | | | | | |
| | | | 100,000 | 344 | 338 | 330 | 325 | 318 | 314 | 308 | 302 | 295 | 291 | 285 | | | | | | | | | | | | |
| 212 | 2-1/4 2-7/16 60mm | 2-3/16 2-1/4 55mm | 20,000 | 711 | 699 | 682 | 672 | 658 | 649 | 636 | 625 | 611 | | | | | | | | | | | | | | |
| | | | 30,000 | 621 | 611 | 596 | 587 | 575 | 567 | 556 | 546 | 533 | | | | | | | | | | | | | | |
| | | | 40,000 | 564 | 555 | 542 | 533 | 522 | 515 | 505 | 496 | 485 | | | | | | | | | | | | | | |
| | | | 60,000 | 493 | 485 | 473 | 466 | 456 | 450 | 441 | 433 | 423 | | | | | | | | | | | | | | |
| | | | 100,000 | 416 | 409 | 399 | 393 | 385 | 379 | 372 | 365 | 357 | | | | | | | | | | | | | | |
| 214 | 2-11/16 70mm | 2-7/16 2-1/2 65mm | 20,000 | 844 | 830 | 810 | 798 | 781 | 770 | | | | | | | | | | | | | | | | | |
| | | | 30,000 | 737 | 725 | 708 | 697 | 682 | 673 | | | | | | | | | | | | | | | | | |
| | | | 40,000 | 670 | 658 | 643 | 633 | 620 | 611 | | | | | | | | | | | | | | | | | |
| | | | 60,000 | 585 | 575 | 562 | 553 | 541 | 534 | | | | | | | | | | | | | | | | | |
| | | | 100,000 | 494 | 485 | 474 | 467 | 457 | 450 | | | | | | | | | | | | | | | | | |
| 215 | 2-15/16 75mm | 2-11/16 70mm | 20,000 | 897 | 882 | 861 | 848 | 830 | | | | | | | | | | | | | | | | | | |
| | | | 30,000 | 783 | 770 | 752 | 741 | 725 | | | | | | | | | | | | | | | | | | |
| | | | 40,000 | 712 | 700 | 683 | 673 | 658 | | | | | | | | | | | | | | | | | | |
| | | | 60,000 | 622 | 611 | 597 | 588 | 575 | | | | | | | | | | | | | | | | | | |
| | | | 100,000 | 524 | 516 | 503 | 496 | 485 | | | | | | | | | | | | | | | | | | |
| 216 | - | 2-15/16 3 75mm | 20,000 | 1,050 | 1,032 | 1,007 | 992 | | | | | | | | | | | | | | | | | | | |
| | | | 30,000 | 917 | 901 | 880 | 867 | | | | | | | | | | | | | | | | | | | |
| | | | 40,000 | 833 | 819 | 800 | 788 | | | | | | | | | | | | | | | | | | | |
| | | | 60,000 | 728 | 715 | 698 | 688 | | | | | | | | | | | | | | | | | | | |
| | | | 100,000 | 614 | 603 | 589 | 580 | | | | | | | | | | | | | | | | | | | |
| 218 | - | 3-7/16 3-1/2 85mm | 20,000 | 1,294 | | | | | | | | | | | | | | | | | | | | | | |
| | | | 30,000 | 1,130 | | | | | | | | | | | | | | | | | | | | | | |
| | | | 40,000 | 1,027 | | | | | | | | | | | | | | | | | | | | | | |
| | | | 60,000 | 897 | | | | | | | | | | | | | | | | | | | | | | |
| | | | 100,000 | 756 | | | | | | | | | | | | | | | | | | | | | | |

SELECTION/DIMENSIONS



GRIP TIGHT Adapter Ball Bearings GT NORMAL DUTY PILLOW BLOCKS

Lube Fitting Thread Size -
203 Series - 1/4-28 Tapered Thread
204 Series and Larger - 1/8-27 NPT



| Series | Shaft Size | Complete Unit | | Unit without Adapter Sleeve & Lock Nut | | Adapter Sleeve & Lock Nut Assembly | |
|-----------|------------|---------------|--------------|--|-------------|------------------------------------|---------------|
| | | Part No. | Description | Part No. | Description | Part No. | Description |
| 203 | 1/2 | 129150 | P2B-GT-008 | 129420 | P2B-GT-03 | 129902 | AN-GT-03-008 |
| | 5/8 | 129151 | P2B-GT-010 | | | 129903 | AN-GT-03-010 |
| | 17mm | 129203 | P2B-GT-17M | | | 129942 | AN-GT-03-17M |
| 203 (GTU) | 1/2 | 129152 | P2B-GTU-008 | 129432 | P2B-GTU-03 | 129902 | AN-GT-03-008 |
| | 5/8 | 129153 | P2B-GTU-010 | | | 129903 | AN-GT-03-010 |
| | 17mm | 129204 | P2B-GTU-17M | | | 129942 | AN-GT-03-17M |
| 204 | 3/4 | 129154 | P2B-GT-012 | 129421 | P2B-GT-04 | 129904 | AN-GT-04-012 |
| | 20mm | 129205 | P2B-GT-20M | | | 129943 | AN-GT-04-20M |
| 205 | 7/8 | 129155 | P2B-GT-014 | 129422 | P2B-GT-05 | 129905 | AN-GT-05-014 |
| | 15/16 | 129156 | P2B-GT-015 | | | 129906 | AN-GT-05-015 |
| | 1 | 129157 | P2B-GT-100 | | | 129907 | AN-GT-05-100 |
| | 25mm | 129206 | P2B-GT-25M | | | 129944 | AN-GT-05-25M |
| 206 | 1-1/8 | 129158 | P2B-GT-102 | 129423 | P2B-GT-06 | 129908 | AN-GT-06-102 |
| | 1-3/16 | 129159 | P2B-GT-103 | | | 129909 | AN-GT-06-103 |
| | 1-1/4 | 129160 | P2B-GT-104S | | | 129910 | AN-GT-06-104S |
| | 30mm | 129207 | P2B-GT-30M | | | 129945 | AN-GT-06-30M |
| 206 (GTU) | 1-1/8 | 129841 | P2B-GTU-102 | 129419 | P2B-GTU-06 | 129908 | AN-GT-06-102 |
| | 1-3/16 | 129842 | P2B-GTU-103 | | | 129909 | AN-GT-06-103 |
| | 1-1/4 | 129843 | P2B-GTU-104S | | | 129910 | AN-GT-06-104 |
| | 30mm | 129208 | P2B-GTU-30M | | | 129945 | AN-GT-06-30M |
| 207 | 1-1/4 | 129161 | P2B-GT-104 | 129424 | P2B-GT-07 | 129911 | AN-GT-07-104 |
| | 1-3/8 | 129162 | P2B-GT-106 | | | 129912 | AN-GT-07-106 |
| | 1-7/16 | 129163 | P2B-GT-107 | | | 129913 | AN-GT-07-107 |
| | 35mm | 129209 | P2B-GT-35M | | | 129946 | AN-GT-07-35M |

| | | | |
|--------------------------------|--|------------------------|--------------------------------|
| FEATURES/BENEFITS PAGE B2-2 | HOW TO ORDER/NOMENCLATURE PAGE B2-4 | SELECTION PAGE B2-5 | RELATED PRODUCTS PAGE B2-96 |
|--------------------------------|--|------------------------|--------------------------------|

SELECTION/DIMENSIONS



GRIP TIGHT Adapter Ball Bearings GT NORMAL DUTY PILLOW BLOCKS

| Series | Shaft Size | Weight lbs kg | A | B | C | D | | F Bolt Dia. | G | H | J | L | M | R# | S# | U | V | W | X* | Z |
|--------------|-------------------------|---------------------|---------|-------|---------|---------|--------|-------------------|-------|-------|---------|---------|---------|-------|--------|---------|---------|------|------|--------|
| | | | | | | min. | max. | | | | | | | | | | | | | |
| 203 | 1/2 | 1.5 | 1-19/64 | 5 | 1-13/64 | 3-1/4 | 4-1/16 | 3/8 | 27/32 | 25/64 | 2-5/32 | 1-13/32 | 1-1/16 | 13/32 | 57/64 | 2-1/4 | 4-1/2 | 3/8 | 1/8 | 59/64 |
| | 5/8 17mm | 1.5 0.6 | 32.9 | 127.0 | 30.6 | 82.6 | 103.2 | M10 | 21.4 | 9.9 | 54.8 | 35.7 | 27.0 | 10.3 | 22.6 | 57.2 | 114.3 | 9.5 | 3.2 | 23.4 |
| 203 (GTU) | 1/2 | 1.7 | 1-19/64 | 5 | 1-13/64 | 3-1/4 | 4-1/16 | 3/8 | 27/32 | 17/32 | 2-9/32 | 1-13/32 | 1-3/16 | 13/32 | 57/64 | 2-1/4 | 4-1/2 | 3/8 | 1/8 | 59/64 |
| | 5/8 17mm | 1.6 0.7 | 32.9 | 127.0 | 30.6 | 82.6 | 103.2 | M10 | 21.4 | 13.5 | 57.9 | 35.7 | 30.2 | 10.3 | 22.6 | 57.2 | 114.3 | 9.5 | 3.2 | 23.4 |
| 204 | 3/4 | 2.1 | 1-15/32 | 5-1/4 | 1-21/64 | 3-3/8 | 4-3/16 | 3/8 | 27/32 | 33/64 | 2-35/64 | 1-1/2 | 1-5/16 | 31/64 | 63/64 | 2-1/4 | 4-1/2 | 1/2 | 1/8 | 1-3/64 |
| | 20mm | 1.0 | 37.3 | 133.4 | 33.7 | 85.7 | 106.4 | M10 | 21.4 | 13.1 | 64.7 | 38.1 | 33.3 | 12.3 | 25.0 | 57.2 | 114.3 | 12.7 | 3.2 | 26.6 |
| 205 | 7/8 | 2.3 | 1-29/64 | 5-1/2 | 1-13/32 | 3-11/16 | 4-1/2 | 3/8 | 27/32 | 37/64 | 2-25/32 | 1-51/64 | 1-7/16 | 1/2 | 61/64 | 2-1/2 | 5 | 1/2 | 3/16 | 1-1/64 |
| | 15/16 1 25mm | 2.3 2.3 1.1 | 36.9 | 139.7 | 35.7 | 93.7 | 114.3 | M10 | 21.4 | 14.7 | 70.6 | 45.6 | 36.5 | 12.7 | 24.2 | 63.5 | 127.0 | 12.7 | 4.8 | 25.8 |
| 206 | 1-1/8 | 3.7 | 1-39/64 | 6-1/4 | 1-47/64 | 4-1/4 | 5 | 1/2 | 15/16 | 5/8 | 3-1/4 | 2-5/64 | 1-5/8 | 17/32 | 1-5/64 | 2-7/8 | 5-3/4 | 9/16 | 3/16 | 1-1/8 |
| | 1-3/16 1-1/4 30mm | 3.6 3.6 1.7 | 40.9 | 158.8 | 44.1 | 108.0 | 127.0 | M12 | 23.8 | 15.9 | 82.6 | 52.8 | 41.3 | 13.5 | 27.4 | 73.0 | 146.1 | 14.3 | 4.8 | 28.6 |
| 206 (GTU) | 1-1/8 | 3.8 | 1-39/64 | 6-1/4 | 1-47/64 | 4-1/4 | 5 | 1/2 | 15/16 | 45/64 | 3-5/16 | 2-5/64 | 1-11/16 | 17/32 | 1-5/64 | 2-7/8 | 5-3/4 | 9/16 | 3/16 | 1-1/8 |
| | 1-3/16 1-1/4 30mm | 3.7 3.7 1.7 | 40.9 | 158.8 | 44.1 | 108.0 | 127.0 | M12 | 23.8 | 17.9 | 84.1 | 52.8 | 42.9 | 13.5 | 27.4 | 73.0 | 146.1 | 14.3 | 4.8 | 28.6 |
| 207 | 1-1/4 | 4.9 | 1-5/8 | 6-1/2 | 1-47/64 | 4-11/16 | 5-7/16 | 1/2 | 15/16 | 45/64 | 3-3/4 | 2-3/8 | 1-7/8 | 9/16 | 1-1/16 | 2-29/32 | 5-13/16 | 9/16 | 3/16 | 1-9/64 |
| | 1-3/8 1-7/16 35mm | 4.9 4.8 2.2 | 41.3 | 165.1 | 44.1 | 119.1 | 138.1 | M12 | 23.8 | 17.9 | 95.3 | 60.3 | 47.6 | 14.3 | 27.0 | 73.8 | 147.6 | 14.3 | 4.8 | 29.0 |

* Only 1 pillow block can be dowel pinned per shaft

R & S Dimensions will vary slightly depending on true shaft diameter

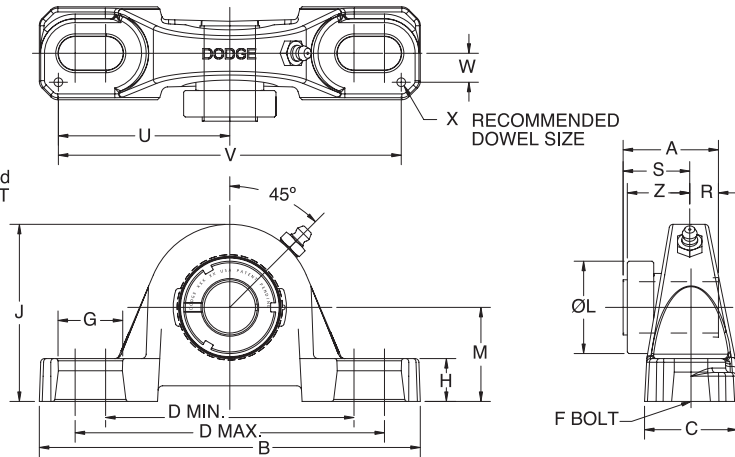
| | | | |
|--------------------------------|--|------------------------|--------------------------------|
| FEATURES/BENEFITS PAGE B2-2 | HOW TO ORDER/NOMENCLATURE PAGE B2-4 | SELECTION PAGE B2-5 | RELATED PRODUCTS PAGE B2-96 |
|--------------------------------|--|------------------------|--------------------------------|

SELECTION/DIMENSIONS



GRIP TIGHT Adapter Ball Bearings GT NORMAL DUTY PILLOW BLOCKS

Lube Fitting Thread Size -
203 Series - 1/4-28 Tapered Thread
204 Series and Larger - 1/8-27 NPT



| Series | Shaft | | Complete Unit | | Unit without Adapter Sleeve & Lock Nut | | Adapter Sleeve & Lock Nut Assembly | |
|-----------|---------|---------------|---------------|---------------|--|---------------|------------------------------------|--------------|
| | Size | Part No. | Description | Part No. | Description | Part No. | Description | |
| 208 | 1-1/2 | 129164 | P2B-GT-108 | 129425 | P2B-GT-08 | 129914 | AN-GT-08-108 | |
| | 1-5/8 | 129371 | P2B-GT-110 | | | | 129955 | AN-GT-08-110 |
| | 40mm | 129149 | P2B-GT-40M | | | | 129947 | AN-GT-08-40M |
| 209 | 1-5/8 | 129165 | P2B-GT-110L | 129426 | P2B-GT-09 | 129915 | AN-GT-09-110L | |
| | 1-11/16 | 129166 | P2B-GT-111 | | | | 129916 | AN-GT-09-111 |
| | 1-3/4 | 129167 | P2B-GT-112 | | | | 129917 | AN-GT-09-112 |
| | 45mm | 129211 | P2B-GT-45M | | | | 129948 | AN-GT-09-45M |
| 210 | 1-15/16 | 129168 | P2B-GT-115 | 129427 | P2B-GT-10 | 129918 | AN-GT-10-115 | |
| | 2 | 129169 | P2B-GT-200 | | | | 129919 | AN-GT-10-200 |
| | 50mm | 129212 | P2B-GT-50M | | | | 129949 | AN-GT-10-50M |
| 211 | 2 | 129224 | P2B-GTM-200 | 129428 | P2B-GT-11 | 129932 | AN-GTM-11-200 | |
| | 2-3/16 | 129170 | P2B-GT-203 | | | | 129920 | AN-GT-11-203 |
| | 2-1/4 | 129376 | P2B-GT-204 | | | | 129956 | AN-GT-11-204 |
| | 55mm | 129213 | P2B-GT-55M | | | | 129950 | AN-GT-11-55M |
| 212 | 2-1/4 | 129226 | P2B-GTM-204 | 129429 | P2B-GT-12 | 129934 | AN-GTM-12-204 | |
| | 2-7/16 | 129171 | P2B-GT-207 | | | | 129921 | AN-GT-12-207 |
| | 60mm | 129214 | P2B-GT-60M | | | | 129951 | AN-GT-12-60M |
| 214 | 2-1/2 | 129228 | P2B-GTM-208 | 129430 | P2B-GT-14 | 129936 | AN-GTM-14-208 | |
| | 2-11/16 | 129172 | P2B-GT-211 | | | | 129922 | AN-GT-14-211 |
| | 70mm | 129215 | P2B-GT-70M | | | | 129952 | AN-GT-14-70M |
| 215 | 2-15/16 | 129173 | P2B-GT-215 | 129431 | P2B-GT-15 | 129923 | AN-GT-15-215 | |
| | 3 | @ | P2B-GT-300 | | | | 129987 | AN-GT-15-300 |
| | 75mm | 129216 | P2B-GT-75M | | | | 129953 | AN-GT-15-75M |
| 215 (GTU) | 2-15/16 | 068726 | P2B-GTU-215 | 068727 | P2B-GTU-15 | 129923 | AN-GT-15-215 | |
| | 3 | @ | P2B-GTU-300 | | | | 129987 | AN-GT-15-300 |
| | 75mm | @ | P2B-GTU-75M | | | | 129953 | AN-GT-15-75M |

@ Assembled To Order

| | | | |
|--------------------------------|--|------------------------|--------------------------------|
| FEATURES/BENEFITS PAGE B2-2 | HOW TO ORDER/NOMENCLATURE PAGE B2-4 | SELECTION PAGE B2-5 | RELATED PRODUCTS PAGE B2-96 |
|--------------------------------|--|------------------------|--------------------------------|

SELECTION/DIMENSIONS



GRIP TIGHT Adapter Ball Bearings GT NORMAL DUTY PILLOW BLOCKS

| Series | Shaft Size | Weight lbs kg | A | B | C | D | | F Bolt Dia. | G | H | J | L | M | R# | S# | U | V | W | X* | Z |
|--------------|------------|---------------------|---------|--------|---------|--------|---------|-------------------|--------|-------|---------|---------|-------|-------|---------|---------|---------|--------|------|---------|
| | | | | | | min. | max. | | | | | | | | | | | | | |
| 208 | 1-1/2 | 6.0 | 1-27/32 | 7-1/4 | 1-15/16 | 5-3/16 | 5-7/8 | 1/2 | 29/32 | 15/16 | 4-3/16 | 2-5/8 | 2-1/8 | 21/32 | 1-3/16 | 3-17/64 | 6-17/32 | 11/16 | 3/16 | 1-15/64 |
| | 1-5/8 | 5.8 | | | | | | | | | | | | | | | | | | |
| | 40mm | 2.7 | 46.8 | 184.2 | 49.2 | 131.8 | 149.2 | M12 | 23.0 | 23.8 | 106.4 | 66.7 | 54.0 | 16.7 | 30.2 | 82.9 | 165.9 | 17.5 | 4.8 | 31.4 |
| 209 | 1-5/8 | 6.8 | 1-55/64 | 7-7/16 | 2 | 5-1/2 | 6-3/16 | 1/2 | 29/32 | 3/4 | 4-9/32 | 2-55/64 | 2-1/8 | 21/32 | 1-13/64 | 3-3/8 | 6-3/4 | 11/16 | 3/16 | 1-9/32 |
| | 1-11/16 | 6.8 | | | | | | | | | | | | | | | | | | |
| | 1-3/4 | 6.7 | | | | | | | | | | | | | | | | | | |
| | 45mm | 3.1 | 47.2 | 188.9 | 50.8 | 139.7 | 157.2 | M12 | 23.0 | 19.1 | 108.7 | 72.6 | 54.0 | 16.7 | 30.6 | 85.7 | 171.5 | 17.5 | 4.8 | 32.5 |
| 210 | 1-15/16 | 8.5 | 1-55/64 | 8-1/8 | 2-1/4 | 6 | 6-11/16 | 5/8 | 1-1/64 | 3/4 | 4-17/32 | 3-1/8 | 2-1/4 | 21/32 | 1-13/64 | 3-11/16 | 7-3/8 | 13/16 | 3/16 | 1-9/32 |
| | 2 | 8.4 | | | | | | | | | | | | | | | | | | |
| | 50mm | 3.9 | 47.2 | 206.4 | 57.2 | 152.4 | 169.9 | M16 | 25.8 | 19.1 | 115.1 | 79.4 | 57.2 | 16.7 | 30.6 | 93.7 | 187.3 | 20.6 | 4.8 | 32.5 |
| 211 | 2 | 12.2 | 1-59/64 | 8-7/8 | 2-5/16 | 6-3/8 | 7-7/16 | 5/8 | 1-7/32 | 7/8 | 4-15/16 | 3-27/64 | 2-1/2 | 45/64 | 1-7/32 | 3-15/16 | 7-7/8 | 13/16 | 3/16 | 1-11/32 |
| | 2-3/16 | 11.8 | | | | | | | | | | | | | | | | | | |
| | 2-1/4 | 11.7 | | | | | | | | | | | | | | | | | | |
| | 55mm | 5.6 | 48.8 | 225.4 | 58.7 | 161.9 | 188.9 | M16 | 31.0 | 22.2 | 125.4 | 86.9 | 63.5 | 17.9 | 31.0 | 100.0 | 200.0 | 20.6 | 4.8 | 34.1 |
| 212 | 2-1/4 | 17.5 | 2-7/64 | 9-1/2 | 2-3/8 | 6-7/8 | 7-15/16 | 5/8 | 1-7/32 | 7/8 | 5-3/8 | 3-11/16 | 2-3/4 | 49/64 | 1-11/32 | 4-1/4 | 8-1/2 | 7/8 | 3/16 | 1-15/32 |
| | 2-7/16 | 17.2 | | | | | | | | | | | | | | | | | | |
| | 60mm | 7.0 | 53.6 | 241.3 | 60.3 | 174.6 | 201.6 | M16 | 31.0 | 22.2 | 136.5 | 93.7 | 69.9 | 19.4 | 34.1 | 108.0 | 215.9 | 22.2 | 4.8 | 37.3 |
| 214 | 2-1/2 | 19.4 | 2-25/64 | 10-3/4 | 2-11/16 | 7-1/2 | 8-1/2 | 3/4 | 1-5/16 | 15/16 | 6-5/64 | 4 | 3 | 7/8 | 1-33/64 | 4-7/8 | 9-3/4 | 15/16 | 3/16 | 1-19/32 |
| | 2-11/16 | 19.3 | | | | | | | | | | | | | | | | | | |
| | 70mm | 8.9 | 60.7 | 273.1 | 68.3 | 190.5 | 215.9 | M18 | 33.3 | 23.8 | 154.4 | 101.6 | 76.2 | 22.2 | 38.5 | 123.8 | 247.7 | 23.8 | 4.8 | 40.5 |
| 215 | 2-15/16 | 25.2 | 2-29/64 | 11-3/4 | 2-7/8 | 8-1/2 | 9-1/2 | 7/8 | 1-7/16 | 1 | 6-23/32 | 4-7/16 | 3-1/2 | 57/64 | 1-9/16 | 5-1/2 | 11 | 1-1/16 | 3/16 | 1-5/8 |
| | 3 | 25.0 | | | | | | | | | | | | | | | | | | |
| | 75mm | 10.1 | 62.3 | 298.5 | 73.0 | 215.9 | 241.3 | M22 | 36.5 | 25.4 | 170.7 | 112.7 | 88.9 | 22.6 | 39.7 | 139.7 | 279.4 | 27.0 | 4.8 | 41.3 |
| 215 (GTU) | 2-15/16 | 24.9 | 2-29/64 | 11-3/4 | 2-7/8 | 8-1/2 | 9-1/2 | 7/8 | 1-7/16 | 1 | 6-15/32 | 4-7/16 | 3-1/4 | 57/64 | 1-43/64 | 5-1/2 | 11 | 1-1/16 | 3/16 | 1-5/8 |
| | 3 | 24.7 | | | | | | | | | | | | | | | | | | |
| | 75mm | 10.0 | 62.3 | 298.5 | 73.0 | 215.9 | 241.3 | M22 | 36.5 | 25.4 | 164.3 | 112.7 | 82.6 | 22.6 | 42.5 | 139.7 | 279.4 | 27.0 | 4.8 | 41.3 |

* Only 1 pillow block can be dowel pinned per shaft

R & S Dimensions will vary slightly depending on true shaft diameter

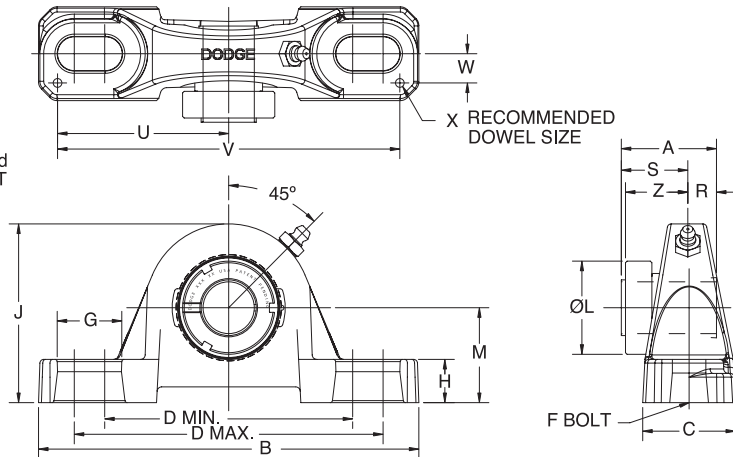
| | | | |
|--------------------------------|--|------------------------|--------------------------------|
| FEATURES/BENEFITS PAGE B2-2 | HOW TO ORDER/NOMENCLATURE PAGE B2-4 | SELECTION PAGE B2-5 | RELATED PRODUCTS PAGE B2-96 |
|--------------------------------|--|------------------------|--------------------------------|

SELECTION/DIMENSIONS



GRIP TIGHT Adapter Ball Bearings GTAH AIR HANDLING NORMAL DUTY PILLOW BLOCKS

Lube Fitting Thread Size -
203 Series - 1/4-28 Tapered Thread
204 Series and Larger - 1/8-27 NPT



| Series | Shaft Size | Complete Unit | | Unit without Adapter Sleeve & Lock Nut | | Adapter Sleeve & Lock Nut Assembly | |
|-----------|------------|---------------|----------------|--|--------------|------------------------------------|---------------|
| | | Part No. | Description | Part No. | Description | Part No. | Description |
| 203 | 1/2 | @ | P2B-GTAH-008 | 062993 | P2B-GTAH-03 | 129902 | AN-GT-03-008 |
| | 5/8 | 067713 | P2B-GTAH-010 | | | 129903 | AN-GT-03-010 |
| | 17mm | @ | P2B-GTAH-17M | | | 129942 | AN-GT-03-17M |
| 203 (GTU) | 1/2 | @ | P2B-GTUAH-008 | @ | P2B-GTUAH-03 | 129902 | AN-GT-03-008 |
| | 5/8 | @ | P2B-GTUAH-010 | | | 129903 | AN-GT-03-010 |
| | 17mm | @ | P2B-GTUAH-17M | | | 129942 | AN-GT-03-17M |
| 204 | 3/4 | 129174 | P2B-GTAH-012 | 129442 | P2B-GTAH-04 | 129904 | AN-GT-04-012 |
| | 20mm | @ | P2B-GTAH-20M | | | 129943 | AN-GT-04-20M |
| 205 | 7/8 | @ | P2B-GTAH-014 | 129443 | P2B-GTAH-05 | 129905 | AN-GT-05-014 |
| | 15/16 | @ | P2B-GTAH-015 | | | 129906 | AN-GT-05-015 |
| | 1 | 129175 | P2B-GTAH-100 | | | 129907 | AN-GT-05-100 |
| | 25mm | 062978 | P2B-GTAH-25M | | | 129944 | AN-GT-05-25M |
| 206 | 1-1/8 | @ | P2B-GTAH-102 | 129399 | P2B-GTAH-06 | 129908 | AN-GT-06-102 |
| | 1-3/16 | 129176 | P2B-GTAH-103 | | | 129909 | AN-GT-06-103 |
| | 1-1/4 | @ | P2B-GTAH-104S | | | 129910 | AN-GT-06-104S |
| | 30mm | @ | P2B-GTAH-30M | | | 129945 | AN-GT-06-30M |
| 206 (GTU) | 1-1/8 | 067865 | P2B-GTUAH-102 | 129452 | P2B-GTUAH-06 | 129908 | AN-GT-06-102 |
| | 1-3/16 | 129177 | P2B-GTUAH-103 | | | 129909 | AN-GT-06-103 |
| | 1-1/4 | @ | P2B-GTUAH-104S | | | 129910 | AN-GT-06-104S |
| | 30mm | @ | P2B-GTUAH-30M | | | 129945 | AN-GT-06-30M |
| 207 | 1-1/4 | 067910 | P2B-GTAH-104 | 129444 | P2B-GTAH-07 | 129911 | AN-GT-07-104 |
| | 1-3/8 | @ | P2B-GTAH-106 | | | 129912 | AN-GT-07-106 |
| | 1-7/16 | 129178 | P2B-GTAH-107 | | | 129913 | AN-GT-07-107 |
| | 35mm | @ | P2B-GTAH-35M | | | 129946 | AN-GT-07-35M |

@ Assembled to order

| | | | |
|--------------------------------|--|------------------------|--------------------------------|
| FEATURES/BENEFITS PAGE B2-2 | HOW TO ORDER/NOMENCLATURE PAGE B2-4 | SELECTION PAGE B2-5 | RELATED PRODUCTS PAGE B2-96 |
|--------------------------------|--|------------------------|--------------------------------|

SELECTION/DIMENSIONS



GRIP TIGHT Adapter Ball Bearings GTAH AIR HANDLING NORMAL DUTY PILLOW BLOCKS

| Series | Shaft Size | Weight lbs kg | A | B | C | D | | F Bolt Dia. | G | H | J | L | M | R# | S# | U | V | W | X* | Z |
|--------------|------------|---------------------|---------|-------|---------|---------|--------|-------------------|-------|-------|---------|---------|---------|-------|--------|---------|---------|------|------|--------|
| | | | | | | min. | max. | | | | | | | | | | | | | |
| 203 | 1/2 | 1.6 | 1-19/64 | 5 | 1-13/64 | 3-1/4 | 4-1/16 | 3/8 | 27/32 | 25/64 | 2-5/32 | 1-13/32 | 1-1/16 | 13/32 | 57/64 | 2-1/4 | 4-1/2 | 3/8 | 1/8 | 59/64 |
| | 5/8 | 1.5 | | | | | | | | | | | | | | | | | | |
| | 17mm | 0.6 | 32.9 | 127.0 | 30.6 | 82.6 | 103.2 | M10 | 21.4 | 9.9 | 54.8 | 35.7 | 27.0 | 10.3 | 22.6 | 57.2 | 114.3 | 9.5 | 3.2 | 23.4 |
| 203 (GTU) | 1/2 | 1.7 | 1-19/64 | 5 | 1-13/64 | 3-1/4 | 4-1/16 | 3/8 | 27/32 | 17/32 | 2-9/32 | 1-13/32 | 1-3/16 | 13/32 | 57/64 | 2-1/4 | 4-1/2 | 3/8 | 1/8 | 59/64 |
| | 5/8 | 1.6 | | | | | | | | | | | | | | | | | | |
| | 17mm | 0.7 | 32.9 | 127.0 | 30.6 | 82.6 | 103.2 | M10 | 21.4 | 13.5 | 57.9 | 35.7 | 30.2 | 10.3 | 22.6 | 57.2 | 114.3 | 9.5 | 3.2 | 23.4 |
| 204 | 3/4 | 2.1 | 1-15/32 | 5-1/4 | 1-21/64 | 3-3/8 | 4-3/16 | 3/8 | 27/32 | 33/64 | 2-35/64 | 1-1/2 | 1-5/16 | 31/64 | 63/64 | 2-1/4 | 4-1/2 | 1/2 | 1/8 | 1-3/64 |
| | 20mm | 1.0 | 37.3 | 133.4 | 33.7 | 85.7 | 106.4 | M10 | 21.4 | 13.1 | 64.7 | 38.1 | 33.3 | 12.3 | 25.0 | 57.2 | 114.3 | 12.7 | 3.2 | 26.6 |
| 205 | 7/8 | 2.3 | 1-29/64 | 5-1/2 | 1-13/32 | 3-11/16 | 4-1/2 | 3/8 | 27/32 | 37/64 | 2-25/32 | 1-51/64 | 1-7/16 | 1/2 | 61/64 | 2-1/2 | 5 | 1/2 | 3/16 | 1-1/64 |
| | 15/16 | 2.3 | | | | | | | | | | | | | | | | | | |
| | 1 | 2.3 | | | | | | | | | | | | | | | | | | |
| 206 | 25mm | 1.1 | 36.9 | 139.7 | 35.7 | 93.7 | 114.3 | M10 | 21.4 | 14.7 | 70.6 | 45.6 | 36.5 | 12.7 | 24.2 | 63.5 | 127.0 | 12.7 | 4.8 | 25.8 |
| | 1-1/8 | 3.7 | 1-39/64 | 6-1/4 | 1-47/64 | 4-1/4 | 5 | 1/2 | 15/16 | 5/8 | 3-1/4 | 2-5/64 | 1-5/8 | 17/32 | 1-5/64 | 2-7/8 | 5-3/4 | 9/16 | 3/16 | 1-1/8 |
| | 1-3/16 | 3.6 | | | | | | | | | | | | | | | | | | |
| 206 (GTU) | 1-1/4 | 3.6 | | | | | | | | | | | | | | | | | | |
| | 30mm | 1.7 | 40.9 | 158.8 | 44.1 | 108.0 | 127.0 | M12 | 23.8 | 15.9 | 82.6 | 52.8 | 41.3 | 13.5 | 27.4 | 73.0 | 146.1 | 14.3 | 4.8 | 28.6 |
| | 1-1/8 | 3.8 | 1-39/64 | 6-1/4 | 1-47/64 | 4-1/4 | 5 | 1/2 | 15/16 | 45/64 | 3-5/16 | 2-5/64 | 1-11/16 | 17/32 | 1-5/64 | 2-7/8 | 5-3/4 | 9/16 | 3/16 | 1-1/8 |
| 207 | 1-3/16 | 3.7 | | | | | | | | | | | | | | | | | | |
| | 1-1/4 | 3.7 | | | | | | | | | | | | | | | | | | |
| | 30mm | 1.7 | 40.9 | 158.8 | 44.1 | 108.0 | 127.0 | M12 | 23.8 | 17.9 | 95.3 | 52.8 | 42.9 | 13.5 | 27.4 | 73.0 | 146.1 | 14.3 | 4.8 | 28.6 |
| 207 | 1-1/4 | 4.9 | 1-5/8 | 6-1/2 | 1-47/64 | 4-11/16 | 5-7/16 | 1/2 | 15/16 | 45/64 | 3-3/4 | 2-3/8 | 1-7/8 | 9/16 | 1-1/16 | 2-29/32 | 5-13/16 | 9/16 | 3/16 | 1-9/64 |
| | 1-3/8 | 4.9 | | | | | | | | | | | | | | | | | | |
| | 1-7/16 | 4.8 | | | | | | | | | | | | | | | | | | |
| | 35mm | 2.2 | 41.3 | 165.1 | 44.1 | 119.1 | 138.1 | M12 | 23.8 | 17.9 | 95.3 | 60.3 | 47.6 | 14.3 | 27.0 | 73.8 | 147.6 | 14.3 | 4.8 | 29.0 |

* Only 1 pillow block can be dowel pinned per shaft

R & S Dimensions will vary slightly depending on true shaft diameter

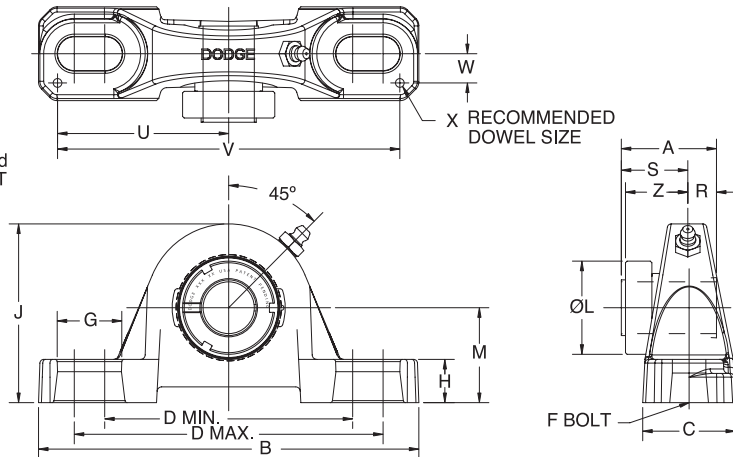
| | | | |
|--------------------------------|--|------------------------|--------------------------------|
| FEATURES/BENEFITS PAGE B2-2 | HOW TO ORDER/NOMENCLATURE PAGE B2-4 | SELECTION PAGE B2-5 | RELATED PRODUCTS PAGE B2-96 |
|--------------------------------|--|------------------------|--------------------------------|

SELECTION/DIMENSIONS



GRIP TIGHT Adapter Ball Bearings GTAH AIR HANDLING NORMAL DUTY PILLOW BLOCKS

Lube Fitting Thread Size -
203 Series - 1/4-28 Tapered Thread
204 Series and Larger - 1/8-27 NPT



| Series | Shaft Size | Complete Unit | | Unit without Adapter Sleeve & Lock Nut | | Adapter Sleeve & Lock Nut Assembly | |
|-----------|------------|---------------|---------------|--|--------------|------------------------------------|---------------|
| | | Part No. | Description | Part No. | Description | Part No. | Description |
| 208 | 1-1/2 | 065620 | P2B-GTAH-108 | 129445 | P2B-GTAH-08 | 129914 | AN-GT-08-108 |
| | 1-5/8 | @ | P2B-GTAH-110 | | | 129955 | AN-GT-08-110 |
| | 40mm | @ | P2B-GTAH-40M | | | 129947 | AN-GT-08-40M |
| 209 | 1-5/8 | 064841 | P2B-GTAH-110L | 129446 | P2B-GTAH-09 | 129915 | AN-GT-09-110L |
| | 1-11/16 | 129179 | P2B-GTAH-111 | | | 129916 | AN-GT-09-111 |
| | 1-3/4 | @ | P2B-GTAH-112 | | | 129917 | AN-GT-09-112 |
| | 45mm | @ | P2B-GTAH-45M | | | 129948 | AN-GT-09-45M |
| 210 | 1-15/16 | 129180 | P2B-GTAH-115 | 129447 | P2B-GTAH-10 | 129918 | AN-GT-10-115 |
| | 2 | @ | P2B-GTAH-200 | | | 129919 | AN-GT-10-200 |
| | 50mm | @ | P2B-GTAH-50M | | | 129949 | AN-GT-10-50M |
| 211 | 2 | @ | P2B-GTMAH-200 | 129448 | P2B-GTAH-11 | 129932 | AN-GTM-11-200 |
| | 2-3/16 | 129181 | P2B-GTAH-203 | | | 129920 | AN-GT-11-203 |
| | 2-1/4 | @ | P2B-GTAH-204 | | | 129956 | AN-GT-11-204 |
| | 55mm | @ | P2B-GTAH-55M | | | 129950 | AN-GT-11-55M |
| 212 | 2-1/4 | @ | P2B-GTMAH-204 | 129449 | P2B-GTAH-12 | 129934 | AN-GTM-12-204 |
| | 2-7/16 | 129182 | P2B-GTAH-207 | | | 129921 | AN-GT-12-207 |
| | 60mm | @ | P2B-GTAH-60M | | | 129951 | AN-GT-12-60M |
| 214 | 2-1/2 | @ | P2B-GTMAH-208 | 129450 | P2B-GTAH-14 | 129936 | AN-GTM-14-208 |
| | 2-11/16 | 062958 | P2B-GTAH-211 | | | 129922 | AN-GT-14-211 |
| | 70mm | 067777 | P2B-GTAH-70M | | | 129952 | AN-GT-14-70M |
| 215 | 2-15/16 | 064463 | P2B-GTAH-215 | 062682 | P2B-GTAH-15 | 129923 | AN-GT-15-215 |
| | 3 | @ | P2B-GTAH-300 | | | 129987 | AN-GT-15-300 |
| | 75mm | @ | P2B-GTAH-75M | | | 129953 | AN-GT-15-75M |
| 215 (GTU) | 2-15/16 | 062861 | P2B-GTUAH-215 | @ | P2B-GTUAH-15 | 129923 | AN-GT-15-215 |
| | 3 | @ | P2B-GTUAH-300 | | | 129987 | AN-GT-15-300 |
| | 75mm | @ | P2B-GTUAH-75M | | | 129953 | AN-GT-15-75M |

@ Assembled to order

| | | | |
|--------------------------------|--|------------------------|--------------------------------|
| FEATURES/BENEFITS PAGE B2-2 | HOW TO ORDER/NOMENCLATURE PAGE B2-4 | SELECTION PAGE B2-5 | RELATED PRODUCTS PAGE B2-96 |
|--------------------------------|--|------------------------|--------------------------------|

SELECTION/DIMENSIONS



GRIP TIGHT Adapter Ball Bearings GTAH AIR HANDLING NORMAL DUTY PILLOW BLOCKS

| Series | Shaft Size | Weight lbs kg | A | B | C | D | | F Bolt Dia. | G | H | J | L | M | R# | S# | U | V | W | X* | Z |
|--------------|------------|---------------------|---------|--------|---------|--------|---------|-------------------|--------|-------|---------|---------|-------|-------|---------|---------|---------|--------|------|---------|
| | | | | | | min. | max. | | | | | | | | | | | | | |
| 208 | 1-1/2 | 6.0 | 1-27/32 | 7-1/4 | 1-15/16 | 5-3/16 | 5-7/8 | 1/2 | 29/32 | 15/16 | 4-3/16 | 2-5/8 | 2-1/8 | 21/32 | 1-3/16 | 3-17/64 | 6-17/32 | 11/16 | 3/16 | 1-15/64 |
| | 1-5/8 | 5.9 | | | | | | | | | | | | | | | | | | |
| | 40mm | 2.7 | 46.8 | 184.2 | 49.2 | 131.8 | 149.2 | M12 | 23.0 | 23.8 | 106.4 | 66.7 | 54.0 | 16.7 | 30.2 | 82.9 | 165.9 | 17.5 | 4.8 | 31.4 |
| 209 | 1-5/8 | 6.8 | 1.55/64 | 7-7/16 | 2 | 5-1/2 | 6-3/16 | 1/2 | 29/32 | 3/4 | 4-9/32 | 2-55/64 | 2-1/8 | 21/32 | 1-13/64 | 3-3/8 | 6-3/4 | 11/16 | 3/16 | 1-9/32 |
| | 1-11/16 | 6.8 | | | | | | | | | | | | | | | | | | |
| | 1-3/4 | 6.7 | | | | | | | | | | | | | | | | | | |
| | 45mm | 3.1 | 47.2 | 188.9 | 50.8 | 139.7 | 157.2 | M12 | 23.0 | 19.1 | 108.7 | 72.6 | 54.0 | 16.7 | 30.6 | 85.7 | 171.5 | 17.5 | 4.8 | 32.5 |
| 210 | 1-15/16 | 8.5 | 1-55/64 | 8-1/8 | 2-1/4 | 6 | 6-11/16 | 5/8 | 1-1/64 | 3/4 | 4-17/32 | 3-1/8 | 2-1/4 | 21/32 | 1-13/64 | 3-11/16 | 7-3/8 | 13/16 | 3/16 | 1-9/32 |
| | 2 | 8.4 | | | | | | | | | | | | | | | | | | |
| | 50mm | 3.9 | 47.2 | 206.4 | 57.2 | 152.4 | 169.9 | M16 | 25.8 | 19.1 | 115.1 | 79.4 | 57.2 | 16.7 | 30.6 | 93.7 | 187.3 | 20.6 | 4.8 | 32.5 |
| 211 | 2 | 12.2 | 1-59/64 | 8-7/8 | 2-5/16 | 6-3/8 | 7-7/16 | 5/8 | 1-7/32 | 7/8 | 4-15/16 | 3-27/64 | 2-1/2 | 45/64 | 1-7/32 | 3-15/16 | 7-7/8 | 13/16 | 3/16 | 1-11/32 |
| | 2-3/16 | 11.8 | | | | | | | | | | | | | | | | | | |
| | 2-1/4 | 11.7 | | | | | | | | | | | | | | | | | | |
| | 55mm | 5.6 | 48.8 | 225.4 | 58.7 | 161.9 | 188.9 | M16 | 31.0 | 22.2 | 125.4 | 86.9 | 63.5 | 17.9 | 31.0 | 100.0 | 200.0 | 20.6 | 4.8 | 34.1 |
| 212 | 2-1/4 | 17.5 | 2-7/64 | 9-1/2 | 2-3/8 | 6-7/8 | 7-15/16 | 5/8 | 1-7/32 | 7/8 | 5-3/8 | 3-11/16 | 2-3/4 | 49/64 | 1-11/32 | 4-1/4 | 8-1/2 | 7/8 | 3/16 | 1-15/32 |
| | 2-7/16 | 17.2 | | | | | | | | | | | | | | | | | | |
| | 60mm | 7.0 | 53.6 | 241.3 | 60.3 | 174.6 | 201.6 | M16 | 31.0 | 22.2 | 136.5 | 93.7 | 69.9 | 19.4 | 34.1 | 108.0 | 215.9 | 22.2 | 4.8 | 37.3 |
| 214 | 2-1/2 | 19.4 | 2-25/64 | 10-3/4 | 2-11/16 | 7-1/2 | 8-1/2 | 3/4 | 1-5/16 | 15/16 | 6-5/64 | 4 | 3 | 7/8 | 1-33/64 | 4-7/8 | 9-3/4 | 15/16 | 3/16 | 1-19/32 |
| | 2-11/16 | 19.3 | | | | | | | | | | | | | | | | | | |
| | 70mm | 8.9 | 60.7 | 273.1 | 68.3 | 190.5 | 215.9 | M18 | 33.3 | 23.8 | 154.4 | 101.6 | 76.2 | 22.2 | 38.5 | 123.8 | 247.7 | 23.8 | 4.8 | 40.5 |
| 215 | 2-15/16 | 25.2 | 2-29/64 | 11-3/4 | 2-7/8 | 8-1/2 | 9-1/2 | 7/8 | 1-7/16 | 1 | 6-23/32 | 4-7/16 | 3-1/2 | 57/64 | 1-43/64 | 5-1/2 | 11 | 1-1/16 | 3/16 | 1-5/8 |
| | 3 | 25.0 | | | | | | | | | | | | | | | | | | |
| | 75mm | 10.1 | 62.3 | 298.5 | 73.0 | 215.9 | 241.3 | M22 | 36.5 | 25.4 | 170.7 | 112.7 | 88.9 | 22.6 | 42.5 | 139.7 | 279.4 | 27.0 | 4.8 | 41.3 |
| 215 (GTU) | 2-15/16 | 24.9 | 2-29/64 | 11-3/4 | 2-7/8 | 8-1/2 | 9-1/2 | 7/8 | 1-7/16 | 1 | 6-15/32 | 4-7/16 | 3-1/4 | 57/64 | 1-43/64 | 5-1/2 | 11 | 1-1/16 | 3/16 | 1-5/8 |
| | 3 75mm | 24.7 11.4 | 62.3 | 298.5 | 73.0 | 215.9 | 241.3 | M22 | 36.5 | 25.4 | 164.3 | 112.7 | 82.6 | 22.6 | 42.5 | 139.7 | 279.4 | 27.0 | 4.8 | 41.3 |

* Only 1 pillow block can be dowel pinned per shaft

R & S Dimensions will vary slightly depending on true shaft diameter

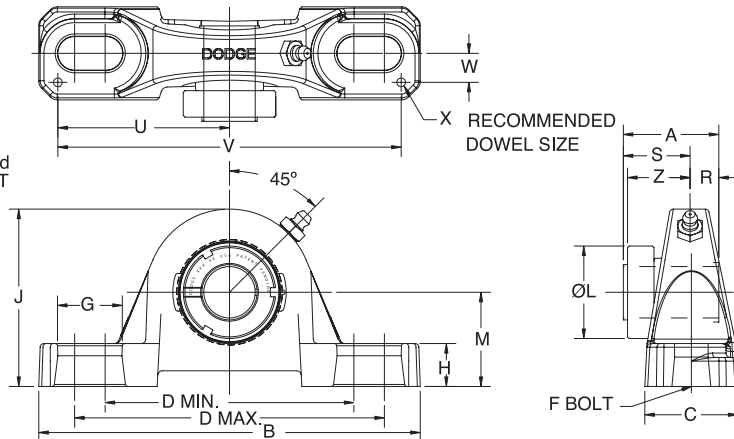
| | | | |
|--------------------------------|--|------------------------|--------------------------------|
| FEATURES/BENEFITS PAGE B2-2 | HOW TO ORDER/NOMENCLATURE PAGE B2-4 | SELECTION PAGE B2-5 | RELATED PRODUCTS PAGE B2-96 |
|--------------------------------|--|------------------------|--------------------------------|

SELECTION/DIMENSIONS



GRIP TIGHT Adapter Ball Bearings GTB NORMAL DUTY PILLOW BLOCKS

Lube Fitting Thread Size -
203 Series - 1/4-28 Tapered Thread
Series 204 and Larger - 1/8-27 NPT



| Series | Shaft Size | Complete Unit | | Unit without Adapter Sleeve & Lock Nut | | Adapter Sleeve & Lock Nut Assembly | |
|-------------|------------|---------------|--------------|--|-------------|------------------------------------|---------------|
| | | Part No. | Description | Part No. | Description | Part No. | Description |
| 203 (GT) | 1/2 | 129150 | P2B-GT-008 | 129420 | P2B-GT-03 | 129902 | AN-GT-03-008 |
| | 5/8 | 129151 | P2B-GT-010 | | | 129903 | AN-GT-03-010 |
| | 17mm | 129203 | P2B-GT-17M | | | 129942 | AN-GT-03-17M |
| 204 | 3/4 | 129183 | P2B-GTB-012 | 129433 | P2B-GTB-04 | 129904 | AN-GT-04-012 |
| | 20mm | 129040 | P2B-GTB-20M | | | 129943 | AN-GT-04-20M |
| 205 | 7/8 | 129184 | P2B-GTB-014 | 129434 | P2B-GTB-05 | 129905 | AN-GT-05-014 |
| | 15/16 | 129185 | P2B-GTB-015 | | | 129906 | AN-GT-05-015 |
| | 1 | 129186 | P2B-GTB-100 | | | 129907 | AN-GT-05-100 |
| | 25mm | 129041 | P2B-GTB-25M | | | 129944 | AN-GT-05-25M |
| 206 | 1-1/8 | 129187 | P2B-GTB-102 | 129435 | P2B-GTB-06 | 129908 | AN-GT-06-102 |
| | 1-3/16 | 129188 | P2B-GTB-103 | | | 129909 | AN-GT-06-103 |
| | 1-1/4 | 129189 | P2B-GTB-104S | | | 129910 | AN-GT-06-104S |
| | 30mm | 129042 | P2B-GTB-30M | | | 129945 | AN-GT-06-30M |
| 207 | 1-1/4 | 129190 | P2B-GTB-104 | 129436 | P2B-GTB-07 | 129911 | AN-GT-07-104 |
| | 1-3/8 | 129191 | P2B-GTB-106 | | | 129912 | AN-GT-07-106 |
| | 1-7/16 | 129192 | P2B-GTB-107 | | | 129913 | AN-GT-07-107 |
| | 35mm | 129043 | P2B-GTB-35M | | | 129946 | AN-GT-07-35M |

@ Assembled to order

| | | | |
|--------------------------------|--|------------------------|--------------------------------|
| FEATURES/BENEFITS PAGE B2-2 | HOW TO ORDER/NOMENCLATURE PAGE B2-4 | SELECTION PAGE B2-5 | RELATED PRODUCTS PAGE B2-96 |
|--------------------------------|--|------------------------|--------------------------------|

SELECTION/DIMENSIONS



GRIP TIGHT Adapter Ball Bearings GTB NORMAL DUTY PILLOW BLOCKS

Bearing Quick Reference

E-Z KLEEN

GRIP TIGHT Adapter Ball Bearing

Set Screw Ball Bearing

Eccentric Collar Ball Bearing

| Series | Shaft Size | Weight lbs kg | A | B | C | D | | F Bolt Dia. | G | H | J | L | M | R# | S# | U | V | W | X* | Z |
|--------|----------------|---------------------|---------|-------|---------|---------|--------|-------------------|-------|-------|---------|---------|---------|-------|--------|---------|---------|------|------|---------|
| | | | | | | min. | max. | | | | | | | | | | | | | |
| 203 | 1/2 | 1.6 | 1-19/64 | 5 | 1-13/64 | 3-1/4 | 4-1/16 | 3/8 | 27/32 | 25/64 | 2-5/32 | 1-13/32 | 1-1/16 | 13/32 | 57/64 | 2-1/4 | 4-1/2 | 3/8 | 1/8 | 59/64 |
| | 5/8 17mm | 0.6 | 32.9 | 127.0 | 306 | 82.6 | 103.2 | M10 | 21.4 | 9.9 | 54.8 | 35.7 | 27.0 | 10.3 | 22.6 | 57.2 | 114.3 | 9.5 | 3.2 | 23.4 |
| 204 | 3/4 | 2.1 | 1-15/32 | 5-1/4 | 1-21/64 | 3-3/8 | 4-3/16 | 3/8 | 27/32 | 29/64 | 2-31/64 | 1-1/2 | 1-1/4 | 31/64 | 63/64 | 2-1/4 | 4-1/2 | 1/2 | 1/8 | 1-1/64 |
| | 20mm | 1.0 | 37.3 | 133.4 | 33.7 | 85.7 | 106.4 | M10 | 21.4 | 11.9 | 63.1 | 38.1 | 31.8 | 12.3 | 25.0 | 57.2 | 114.3 | 12.7 | 3.2 | 25.8 |
| 205 | 7/8 | 2.3 | 1-29/64 | 5-1/2 | 1-13/32 | 3-11/16 | 4-1/2 | 3/8 | 27/32 | 29/64 | 2-21/32 | 1-51/64 | 1-5/16 | 1/2 | 61/64 | 2-1/2 | 5 | 1/2 | 3/16 | 1-1/8 |
| | 15/16 | 2.3 | | | | | | | | | | | | | | | | | | |
| | 1 25mm | 2.3 1.1 | 36.9 | 139.7 | 35.7 | 93.7 | 114.3 | M10 | 21.4 | 11.9 | 67.5 | 45.6 | 33.3 | 12.8 | 24.2 | 63.5 | 127.0 | 12.7 | 4.8 | 28.6 |
| 206 | 1-1/8 | 3.8 | 1-39/64 | 6-1/4 | 1-47/64 | 4-1/4 | 5 | 1/2 | 15/16 | 9/16 | 3-3/16 | 2-5/64 | 1-9/16 | 17/32 | 1-5/64 | 2-7/8 | 5-3/4 | 9/16 | 3/16 | 1-9/64 |
| | 1-3/16 | 3.7 | | | | | | | | | | | | | | | | | | |
| | 1-1/4 30mm | 3.7 1.7 | 40.9 | 158.8 | 44.1 | 108.0 | 127.0 | M12 | 23.8 | 15.9 | 81.0 | 52.8 | 39.7 | 13.5 | 27.4 | 73.0 | 146.1 | 14.3 | 4.8 | 29.0 |
| 207 | 1-1/4 | 4.9 | 1-5/8 | 6-1/2 | 1-47/64 | 4-11/16 | 5-7/16 | 1/2 | 15/16 | 41/64 | 3-11/16 | 2-3/8 | 1-13/16 | 9/16 | 1-1/16 | 2-29/32 | 5-13/16 | 9/16 | 3/16 | 1-15/64 |
| | 1-3/8 | 4.9 | | | | | | | | | | | | | | | | | | |
| | 1-7/16 35mm | 4.8 2.2 | 41.3 | 165.1 | 44.1 | 119.1 | 138.1 | M12 | 23.8 | 16.7 | 93.7 | 60.3 | 46.0 | 14.3 | 27.0 | 73.8 | 147.6 | 14.3 | 4.8 | 31.4 |

* Only 1 pillow block can be dowel pinned per shaft

R & S Dimensions will vary slightly depending on true shaft diameter

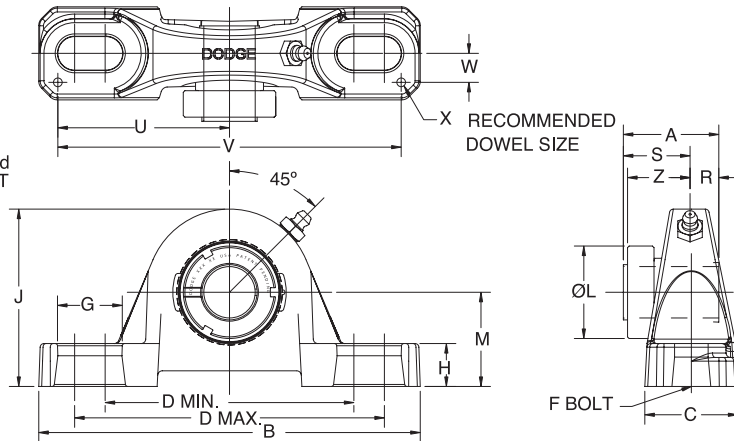
| | | | |
|--------------------------------|--|------------------------|--------------------------------|
| FEATURES/BENEFITS PAGE B2-2 | HOW TO ORDER/NOMENCLATURE PAGE B2-4 | SELECTION PAGE B2-5 | RELATED PRODUCTS PAGE B2-96 |
|--------------------------------|--|------------------------|--------------------------------|

SELECTION/DIMENSIONS



GRIP TIGHT Adapter Ball Bearings GTB NORMAL DUTY PILLOW BLOCKS

Lube Fitting Thread Size -
203 Series - 1/4-28 Tapered Thread
Series 204 and Larger - 1/8-27 NPT



| Series | Shaft Size | Complete Unit | | Unit without Adapter Sleeve & Lock Nut | | Adapter Sleeve & Lock Nut Assembly | |
|--------|------------|---------------|--------------|--|-------------|------------------------------------|---------------|
| | | Part No. | Description | Part No. | Description | Part No. | Description |
| 208 | 1-1/2 | 129193 | P2B-GTB-108 | 129437 | P2B-GTB-08 | 129914 | AN-GT-08-108 |
| | 1-5/8 | 129372 | P2B-GTB-110 | | | 129955 | AN-GT-08-110 |
| | 40mm | 129210 | P2B-GTB-40M | | | 129947 | AN-GT-08-40M |
| 209 | 1-5/8 | 129194 | P2B-GTB-110L | 129438 | P2B-GTB-09 | 129915 | AN-GT-09-110L |
| | 1-11/16 | 129195 | P2B-GTB-111 | | | 129916 | AN-GT-09-111 |
| | 1-3/4 | 129196 | P2B-GTB-112 | | | 129917 | AN-GT-09-112 |
| | 45mm | 129044 | P2B-GTB-45M | | | 129948 | AN-GT-09-45M |
| 210 | 1-15/16 | 129197 | P2B-GTB-115 | 129439 | P2B-GTB-10 | 129918 | AN-GT-10-115 |
| | 2 | 129198 | P2B-GTB-200 | | | 129919 | AN-GT-10-200 |
| | 50mm | 129045 | P2B-GTB-50M | | | 129949 | AN-GT-10-50M |
| 211 | 2 | 129199 | P2B-GTB-200L | 129440 | P2B-GTB-11 | 129932 | AN-GTM-11-200 |
| | 2-3/16 | 129200 | P2B-GTB-203 | | | 129920 | AN-GT-11-203 |
| | 2-1/4 | 129377 | P2B-GTB-204 | | | 129956 | AN-GT-11-204 |
| | 55mm | 129046 | P2B-GTB-55M | | | 129950 | AN-GT-11-55M |
| 212 | 2-1/4 | 129201 | P2B-GTB-204L | 129441 | P2B-GTB-12 | 129934 | AN-GTM-12-204 |
| | 2-7/16 | 129202 | P2B-GTB-207 | | | 129921 | AN-GT-12-207 |
| | 60mm | 129047 | P2B-GTB-60M | | | 129951 | AN-GT-12-60M |
| 215 | 2-15/16 | 062741 | P2B-GTB-215 | 062742 | P2B-GTB-15 | 129923 | AN-GT-15-215 |
| | 3 | @ | P2B-GTB-300 | | | 129987 | AN-GT-15-300 |
| | 75mm | @ | P2B-GTB-75M | | | 129953 | AN-GT-15-75M |

@ Assembled to order

| | | | |
|--------------------------------|--|------------------------|--------------------------------|
| FEATURES/BENEFITS PAGE B2-2 | HOW TO ORDER/NOMENCLATURE PAGE B2-4 | SELECTION PAGE B2-5 | RELATED PRODUCTS PAGE B2-96 |
|--------------------------------|--|------------------------|--------------------------------|

SELECTION/DIMENSIONS



Bearing Quick Reference

E-Z KLEEN

GRIP TIGHT Adapter Ball Bearing

Set Screw Ball Bearing

Eccentric Collar Ball Bearing

| Series | Shaft Size | Weight lbs kg | A | B | C | D | | F Bolt Dia. | G | H | J | L | M | R# | S# | U | V | W | X* | Z |
|--------|------------|---------------------|---------|--------|---------|--------|---------|-------------------|--------|--------|---------|---------|---------|-------|---------|---------|---------|--------|------|---------|
| | | | | | | min. | max. | | | | | | | | | | | | | |
| 208 | 1-1/2 | 6.0 | 1-27/32 | 7-1/4 | 1-15/16 | 5-3/16 | 5-7/8 | 1/2 | 29/32 | 3/4 | 4 | 2-5/8 | 1-15/16 | 21/32 | 1-3/16 | 3-17/64 | 6-17/32 | 11/16 | 3/16 | 1-15/64 |
| | 1-5/8 | 5.9 | | | | | | | | | | | | | | | | | | |
| | 40mm | 2.7 | 46.8 | 184.2 | 49.2 | 131.8 | 149.2 | M12 | 23.0 | 19.1 | 101.6 | 66.7 | 49.2 | 16.7 | 30.2 | 82.9 | 165.9 | 17.5 | 4.8 | 31.4 |
| 209 | 1-5/8 | 6.8 | 1-55/64 | 7-7/16 | 2 | 5-1/2 | 6-3/16 | 1/2 | 29/32 | 11/16 | 4-7/32 | 2-55/64 | 2-1/16 | 21/32 | 1-13/64 | 3-3/8 | 6-3/4 | 11/16 | 3/16 | 1-9/32 |
| | 1-11/16 | 6.8 | | | | | | | | | | | | | | | | | | |
| | 1-3/4 | 6.7 | | | | | | | | | | | | | | | | | | |
| | 45mm | 3.1 | 47.2 | 188.9 | 50.8 | 139.7 | 157.2 | M12 | 23.0 | 17.5 | 107.2 | 72.6 | 52.4 | 16.7 | 30.6 | 85.7 | 171.5 | 17.5 | 4.8 | 32.5 |
| 210 | 1-15/16 | 8.5 | 1-55/64 | 8-1/8 | 2-1/4 | 6 | 6-11/16 | 5/8 | 1-1/64 | 11/16 | 4-15/32 | 3-1/8 | 2-3/16 | 21/32 | 1-13/64 | 3-11/16 | 7-3/8 | 13/16 | 3/16 | 1-9/32 |
| | 2 | 8.4 | | | | | | | | | | | | | | | | | | |
| | 50mm | 3.9 | 47.2 | 206.4 | 57.2 | 152.4 | 169.9 | M16 | 26.2 | 17.5 | 113.5 | 79.4 | 55.6 | 16.7 | 30.6 | 93.7 | 187.3 | 20.6 | 4.8 | 32.5 |
| 211 | 2 | 12.2 | 1-59/64 | 8-7/8 | 2-5/16 | 6-3/8 | 7-7/16 | 5/8 | 1-7/32 | 51/64 | 4-7/8 | 3-27/64 | 2-7/16 | 45/64 | 1-7/32 | 3-15/16 | 7-7/8 | 13/16 | 3/16 | 1-11/32 |
| | 2-3/16 | 11.9 | | | | | | | | | | | | | | | | | | |
| | 2-1/4 | 11.8 | | | | | | | | | | | | | | | | | | |
| | 55mm | 5.6 | 48.8 | 225.4 | 58.7 | 161.9 | 188.9 | M16 | 31.0 | 20.2 | 123.8 | 86.9 | 61.9 | 17.9 | 31.0 | 100.0 | 200.0 | 20.6 | 4.8 | 34.1 |
| 212 | 2-1/4 | 17.5 | 2-7/64 | 9-1/2 | 2-3/8 | 6-7/8 | 7-15/16 | 5/8 | 1-7/32 | 51/64 | 5-5/16 | 3-11/16 | 2-11/16 | 49/64 | 1-11/32 | 4-1/4 | 8-1/2 | 7/8 | 3/16 | 1-15/32 |
| | 2-7/16 | | | | | | | | | | | | | | | | | | | |
| | 60mm | 7.0 | 53.6 | 241.3 | 60.3 | 174.6 | 201.6 | M16 | 31.0 | 20.2 | 134.9 | 93.7 | 68.3 | 19.4 | 34.1 | 108.0 | 215.9 | 22.2 | 4.8 | 37.3 |
| 215 | 2-15/16 | 24.9 | 2-29/64 | 11-3/4 | 2-7/8 | 8-1/2 | 9-1/2 | 7/8 | 1-7/16 | 1-3/64 | 6-17/32 | 4-7/16 | 3-5/16 | 57/64 | 1-9/16 | 5-1/2 | 11 | 1-1/16 | 3/16 | 1-5/8 |
| | 3 | 24.7 | | | | | | | | | | | | | | | | | | |
| | 75mm | 11.4 | 62.3 | 298.5 | 73.0 | 215.9 | 241.3 | M22 | 36.5 | 26.6 | 165.9 | 112.7 | 84.1 | 22.6 | 39.7 | 139.7 | 279.4 | 27.0 | 4.8 | 41.3 |

* Only 1 pillow block can be dowel pinned per shaft

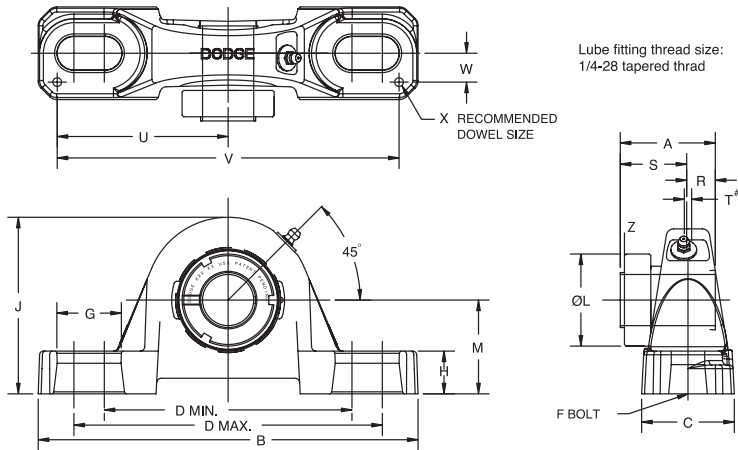
R & S Dimensions will vary slightly depending on true shaft diameter

| | | | |
|--------------------------------|--|------------------------|--------------------------------|
| FEATURES/BENEFITS PAGE B2-2 | HOW TO ORDER/NOMENCLATURE PAGE B2-4 | SELECTION PAGE B2-5 | RELATED PRODUCTS PAGE B2-96 |
|--------------------------------|--|------------------------|--------------------------------|

SELECTION/DIMENSIONS



GRIP TIGHT Adapter Ball Bearings GTH-E EXPANSION PILLOW BLOCKS



| Series | Shaft Size | Complete Unit | | Unit without Adapter Sleeve & Lock Nut | | Adapter Sleeve & Lock Nut Assembly | |
|--------|------------|---------------|----------------|--|--------------|------------------------------------|---------------|
| | | Part Number | Description | Part Number | Description | Part Number | Description |
| 205 | 1 | @ | P2B-GTH-100-E | 065777 | P2B-GTH-05-E | 129907 | AN-GT-05-100 |
| | 25mm | 065776 | P2B-GTH-25M-E | | | 129944 | AN-GT-05-25M |
| 206 | 1-3/16 | 130691 | P2B-GTH-103-E | 130697 | P2B-GTH-06-E | 129099 | AN-GT-06-103 |
| | 1-1/4 | 068230 | P2B-GTH-104S-E | | | 199910 | AN-GT-06-104S |
| | 30mm | 068872 | P2B-GTH-30M-E | | | 129945 | AN-GT-06-30M |
| 207 | 1-7/16 | 130692 | P2B-GTH-107-E | 130698 | P2B-GTH-07-E | 129913 | AN-GT-07-107 |
| | 35mm | 065598 | P2B-GTH-35M-E | | | 129946 | AN-GT-07-35M |
| 209 | 1-11/16 | 130693 | P2B-GTH-111-E | 130699 | P2B-GTH-09-E | 129916 | AN-GT-09-111 |
| | 1 3/4 | @ | P2B-GTH-112-E | | | 129917 | AN-GT-09-112 |
| | 45mm | 064874 | P2B-GTH-45M-E | | | 129948 | AN-GT-09-45M |
| 210 | 1-15/16 | 130694 | P2B-GTH-115-E | 130700 | P2B-GTH-10-E | 129918 | AN-GT-10-115 |
| | 2 | @ | P2B-GTH-200-E | | | 129919 | AN-GT-10-200 |
| | 50mm | 064794 | P2B-GTH-50M-E | | | 129949 | AN-GT-10-50M |
| 211 | 2-3/16 | 130695 | P2B-GTH-203-E | 130701 | P2B-GTH-11-E | 129920 | AN-GT-11-203 |
| | 2 1/4 | 130689 | P2B-GTH-204-E | | | 129956 | AN-GT-11-204 |
| | 55mm | 064875 | P2B-GTH-55M-E | | | 129950 | AN-GT-11-55M |
| 212 | 2-7/16 | 130696 | P2B-GTH-207-E | 130702 | P2B-GTH-12-E | 129921 | AN-GT-12-207 |
| | 60mm | @ | P2B-GTH-60M-E | | | 129951 | AN-GT-12-60M |

Use GTM Medium Duty Pillow Blocks for non-expansion units.

@ Assembled to order

| | | | |
|--------------------------------|--|------------------------|--------------------------------|
| FEATURES/BENEFITS PAGE B2-2 | HOW TO ORDER/NOMENCLATURE PAGE B2-4 | SELECTION PAGE B2-5 | RELATED PRODUCTS PAGE B2-96 |
|--------------------------------|--|------------------------|--------------------------------|

SELECTION/DIMENSIONS



GRIP TIGHT Adapter Ball Bearings GTH-E EXPANSION PILLOW BLOCKS

| Series | Shaft Size | Weight lbs kg | A | B | C | D | | F Bolt Dia. | G | H | J |
|--------|---------------|---------------------|---------|---------|---------|---------|---------|-------------------|--------|--------|---------|
| | | | | | | min. | max. | | | | |
| 205 | 1 | 3.7 | 1-29/64 | 6-1/4 | 1-47/64 | 4-1/4 | 5 | 1/2 | 15/16 | 3/4 | 3-5/16 |
| | 25mm | 1.7 | 36.9 | 158.8 | 44.1 | 108.0 | 127.0 | M12 | 23.8 | 19.1 | 84.1 |
| 206 | 1-3/16 | 5.0 | 1-39/64 | 6-7/8 | 2 | 4-11/16 | 5-7/16 | 1/2 | 1 | 11/16 | 3-13/16 |
| | 1-1/4 30mm | 5.0 1.5 | 40.9 | 174.6 | 50.8 | 119.1 | 138.1 | M12 | 25.4 | 17.5 | 96.8 |
| 207 | 1-7/16 | 6.9 | 1-5/8 | 7-15/16 | 2-1/32 | 5-1/16 | 6-5/16 | 1/2 | 1-3/16 | 3/4 | 4-3/16 |
| | 35mm | 2.1 | 41.3 | 201.6 | 51.6 | 128.6 | 160.3 | M12 | 30.2 | 19.1 | 106.4 |
| 209 | 1-11/16 | 9.2 | 1-55/64 | 8-1/8 | 2-3/8 | 6 | 6-1/2 | 5/8 | 15/16 | 3/4 | 4-9/16 |
| | 1-3/4 45mm | 9.2 2.8 | 47.2 | 206.4 | 60.3 | 152.4 | 165.1 | M12 | 23.8 | 19.1 | 115.9 |
| 210 | 1-15/16 | 10.8 | 1-55/64 | 9-1/2 | 2-1/2 | 6 | 7-1/2 | 5/8 | 1-7/16 | 7/8 | 5-3/32 |
| | 2 50mm | 10.8 3.3 | 47.2 | 241.3 | 63.5 | 152.4 | 190.5 | M16 | 36.5 | 22.2 | 129.4 |
| 211 | 2-3/16 | 15.7 | 1-59/64 | 10-1/4 | 3 | 6-5/8 | 7-7/8 | 5/8 | 1-7/16 | 1-1/16 | 5-5/8 |
| | 2-1/4 55mm | 15.7 4.8 | 48.8 | 260.4 | 76.2 | 168.3 | 200.0 | M16 | 36.5 | 27.0 | 142.9 |
| 212 | 2-7/16 | 20.1 | 2-7/64 | 11-1/4 | 3-1/4 | 7-3/16 | 8-13/16 | 3/4 | 1-5/8 | 1-1/16 | 6-1/4 |
| | 60mm | 6.1 | 53.6 | 285.8 | 82.6 | 182.6 | 223.8 | M18 | 41.3 | 27.0 | 158.8 |

| Series | Shaft Size | L | M | R# | S# | T Total Expansion | U | V | W | X @ | Z |
|--------|---------------|---------|---------|-------|---------|-------------------------|---------|--------|-------|------|---------|
| 205 | 1 | 1-51/64 | 1-11/16 | 1/2 | 61/64 | 5/32 | 2-7/8 | 5-3/4 | 9/16 | 3/16 | 1-1/64 |
| | 25mm | 45.6 | 42.9 | 12.9 | 24.2 | 4.0 | 73.0 | 146.1 | 14.3 | 4.8 | 25.8 |
| 206 | 1-3/16 | 2-5/64 | 1-7/8 | 17/32 | 1-5/64 | 3/16 | 3-1/8 | 6-1/4 | 11/16 | 3/16 | 1-1/8 |
| | 1-1/4 30mm | 52.8 | 47.6 | 13.5 | 27.4 | 4.8 | 79.4 | 158.8 | 17.5 | 4.8 | 28.6 |
| 207 | 1-7/16 | 2-3/8 | 2-1/8 | 9/16 | 1-1/16 | 3/16 | 3-11/16 | 7-3/8 | 23/32 | 3/16 | 1-9/64 |
| | 35mm | 60.3 | 54.0 | 14.3 | 27.0 | 4.8 | 93.7 | 187.3 | 18.3 | 4.8 | 29.0 |
| 209 | 1-11/16 | 2-55/64 | 2-1/4 | 21/32 | 1-13/64 | 1/4 | 3-11/16 | 7-3/8 | 13/16 | 3/16 | 1-9/32 |
| | 1-3/4 45mm | 72.6 | 56.4 | 16.7 | 30.6 | 28.6 | 6.4 | 93.7 | 187.3 | 20.6 | 32.5 |
| 210 | 1-15/16 | 3-1/8 | 2-1/2 | 21/32 | 1-13/64 | 1/4 | 4-3/8 | 8-3/4 | 7/8 | 3/16 | 1-9/32 |
| | 2 50mm | 79.4 | 63.5 | 16.7 | 30.6 | 6.4 | 111.1 | 222.3 | 22.2 | 4.8 | 32.5 |
| 211 | 2-3/16 | 3-27/64 | 2-3/4 | 45/64 | 1-7/32 | 1/4 | 4-3/4 | 9-1/2 | 1-1/8 | 3/16 | 1-11/32 |
| | 2-1/4 55mm | 86.9 | 69.9 | 17.9 | 31.0 | 6.4 | 120.7 | 241.3 | 28.6 | 4.8 | 34.1 |
| 212 | 2-7/16 | 3-11/16 | 3 | 49/64 | 1-11/32 | 1/4 | 5-1/4 | 10-1/2 | 1-1/4 | 3/16 | 1-15/32 |
| | 60mm | 93.7 | 76.2 | 19.4 | 34.1 | 6.4 | 133.4 | 266.7 | 31.8 | 4.8 | 37.3 |

R & S dimensions will vary slightly depending on true shaft diameter.

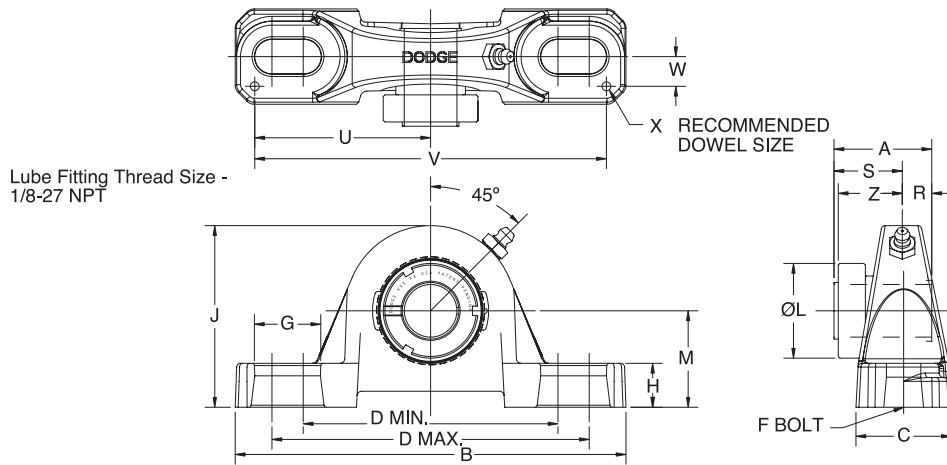
@ Only 1 pillow block can be dowel pinned per shaft

| | | | |
|--------------------------------|--|------------------------|--------------------------------|
| FEATURES/BENEFITS PAGE B2-2 | HOW TO ORDER/NOMENCLATURE PAGE B2-4 | SELECTION PAGE B2-5 | RELATED PRODUCTS PAGE B2-96 |
|--------------------------------|--|------------------------|--------------------------------|

SELECTION/DIMENSIONS



GRIP TIGHT Adapter Ball Bearings GTM MEDIUM DUTY PILLOW BLOCKS



| Series | Shaft Size | Complete Unit | | Unit Without Adapter & Nut | | Adapter & Nut Assembly | |
|---------------|------------|---------------|--------------|----------------------------|-------------|------------------------|---------------|
| | | Part No. | Description | Part No. | Description | Part No. | Description |
| 205 | 3/4 | 129048 | P2B-GTM-012 | 129422 | P2B-GT-05 | 129924 | AN-GTM-05-012 |
| 206 | 1 25mm | 129217 | P2B-GTM-100 | 129419 | P2B-GTU-06 | 129925 | AN-GTM-06-100 |
| | | 136258 | P2B-GTM-25M | | | 129957 | AN-GTM-06-25M |
| 206 (GTMU) | 1 25mm | 129381 | P2B-GTMU-100 | 129385 | P2B-GTMU-06 | 129925 | AN-GTM-06-100 |
| | | @ | P2B-GTMU-25M | | | 129957 | AN-GTM-06-25M |
| 207 | 1-3/16 | 129218 | P2B-GTM-103 | 129424 | P2B-GT-07 | 129926 | AN-GTM-07-103 |
| | 1-1/4 | 129161 | P2B-GT-104 | | | 129911 | AN-GT-07-104 |
| | 30mm | 129049 | P2B-GTM-30M | | | 129954 | AN-GTM-07-30M |
| 208 | 1-7/16 | 129219 | P2B-GTM-107 | 129425 | P2B-GT-08 | 129927 | AN-GTM-08-107 |
| | 35mm | 136259 | P2B-GTM-35M | | | 129958 | AN-GTM-08-35M |
| 209 | 1-1/2 | 129220 | P2B-GTM-108 | 129426 | P2B-GT-09 | 129928 | AN-GTM-09-108 |
| | 40mm | 136260 | P2B-GTM-40M | | | 129959 | AN-GTM-09-40M |
| 210 | 1-11/16 | 129221 | P2B-GTM-111 | 129427 | P2B-GT-10 | 129929 | AN-GTM-10-111 |
| | 1-3/4 | 129222 | P2B-GTM-112 | | | 129930 | AN-GTM-10-112 |
| | 45mm | 136261 | P2B-GTM-45M | | | 129960 | AN-GTM-10-45M |
| 210 (GTMU) | 1-11/16 | 129383 | P2B-GTMU-111 | 129387 | P2B-GTU-10 | 129929 | AN-GTM-10-111 |
| | 1-3/4 | @ | P2B-GTMU-112 | | | 129930 | AN-GTM-10-112 |
| | 45mm | @ | P2B-GTMU-45M | | | 129960 | AN-GTM-10-45M |

@ Assembled to order

| | | | |
|--------------------------------|--|------------------------|--------------------------------|
| FEATURES/BENEFITS PAGE B2-2 | HOW TO ORDER/NOMENCLATURE PAGE B2-4 | SELECTION PAGE B2-5 | RELATED PRODUCTS PAGE B2-96 |
|--------------------------------|--|------------------------|--------------------------------|

SELECTION/DIMENSIONS



GRIP TIGHT Adapter Ball Bearings GTM MEDIUM DUTY PILLOW BLOCKS

| Series | Shaft Size | Weight lbs kg | A | B | C | D | | F Bolt Dia. | G | H | J | L | M | R# | S# | U | V | W | X@ | Z |
|---------------|------------|---------------------|---------|--------|---------|---------|---------|-------------------|--------|-------|---------|---------|---------|-------|---------|---------|---------|-------|------|---------|
| | | | | | | min. | max. | | | | | | | | | | | | | |
| 205 | 3/4 | 2.4 | 1-29/64 | 5-1/2 | 1-13/32 | 3-11/16 | 4-1/2 | 3/8 | 27/32 | 37/64 | 2-5/32 | 1-51/64 | 1-7/16 | 1/2 | 61/64 | 2-1/2 | 5 | 1/2 | 3/16 | 1-1/64 |
| | | 36.9 | 139.7 | 35.7 | 93.7 | 114.3 | M10 | 21.4 | 14.7 | 57.8 | 45.6 | 36.5 | 12.7 | 24.2 | 63.5 | 127.0 | 12.7 | 4.8 | 25.4 | |
| 206 | 1 25mm | 4.2 | 1-39/64 | 6-1/4 | 1-47/64 | 4-1/4 | 5 | 1/2 | 15/16 | 5/8 | 3-1/4 | 2-5/64 | 1-11/16 | 17/32 | 1-5/64 | 2-7/8 | 5-3/4 | 9/16 | 3/16 | 1-1/8 |
| | | 1.7 | 40.9 | 158.8 | 44.1 | 108.0 | 127.0 | M12 | 23.8 | 15.9 | 82.6 | 52.8 | 42.9 | 13.5 | 27.4 | 73.0 | 146.1 | 14.3 | 4.8 | 28.6 |
| 206 (GTMU) | 1 25mm | 4.2 | 1-39/64 | 6-1/4 | 1-47/64 | 4-1/4 | 5 | 1/2 | 15/16 | 11/16 | 3-5/16 | 2-5/64 | 1-3/4 | 17/32 | 1-5/64 | 2-7/8 | 5-3/4 | 9/16 | 3/16 | 1-1/8 |
| | | 1.7 | 40.9 | 158.8 | 44.1 | 108.0 | 127.0 | M12 | 23.8 | 17.5 | 84.1 | 52.8 | 44.5 | 13.5 | 27.4 | 73.0 | 146.1 | 14.3 | 4.8 | 28.6 |
| 207 | 1-3/16 | 5.1 | 1-5/8 | 6-1/2 | 1-47/64 | 4-11/16 | 5-7/16 | 1/2 | 15/16 | 45/64 | 3-3/4 | 2-3/8 | 1-7/8 | 9/16 | 1-1/16 | 2-29/32 | 5-13/16 | 9/16 | 3/16 | 1-9/64 |
| | 1-1/4 | 4.9 | | | | | | | | | | | | | | | | | | |
| | 30mm | 2.2 | 41.3 | 165.1 | 44.1 | 119.1 | 138.1 | M12 | 23.8 | 17.9 | 95.3 | 60.3 | 47.6 | 14.3 | 27.0 | 73.8 | 147.6 | 14.3 | 4.8 | 29.0 |
| 208 | 1-7/16 | 7.2 | 1-27/32 | 7-1/4 | 1-15/16 | 5-3/16 | 5-7/8 | 1/2 | 29/32 | 15/16 | 4-3/16 | 2-5/8 | 2-1/8 | 21/32 | 1-3/16 | 3-17/64 | 6-17/32 | 11/16 | 3/16 | 1-15/64 |
| | 35mm | 2.7 | 46.8 | 184.2 | 49.2 | 131.8 | 149.2 | M12 | 23.0 | 23.8 | 106.4 | 66.7 | 54.0 | 16.7 | 30.2 | 82.9 | 165.9 | 17.5 | 4.8 | 31.4 |
| 209 | 1-1/2 | 9.2 | 1-55/64 | 7-7/16 | 2 | 5-1/2 | 6-3/16 | 1/2 | 29/32 | 3/4 | 4-9/32 | 2-55/64 | 2-1/8 | 21/32 | 1-13/64 | 3-3/8 | 6-3/4 | 11/16 | 3/16 | 1-9/32 |
| | 40mm | 3.1 | 47.2 | 188.9 | 50.8 | 139.7 | 157.2 | M12 | 23.0 | 19.1 | 108.7 | 72.6 | 54.0 | 16.7 | 30.6 | 85.7 | 171.5 | 17.5 | 4.8 | 32.5 |
| 210 | 1-11/16 | 10.1 | 1-55/64 | 8-1/8 | 2-1/4 | 6 | 6-11/16 | 5/8 | 1-1/64 | 3/4 | 4-17/32 | 3-1/8 | 2-1/4 | 21/32 | 1-13/64 | 3-11/16 | 7-3/8 | 13/16 | 3/16 | 1-9/32 |
| | 1-3/4 | 10.1 | | | | | | | | | | | | | | | | | | |
| 210 (GTMU) | 1-3/4 | 10.1 | 1-55/64 | 8-1/8 | 2-1/4 | 6 | 6-11/16 | 5/8 | 1-1/64 | 13/16 | 4-19/32 | 3-1/8 | 2-5/16 | 21/32 | 1-13/64 | 3-11/16 | 7-3/8 | 13/16 | 3/16 | 1-9/32 |
| | 45mm | 3.9 | 47.2 | 206.4 | 57.2 | 152.4 | 169.9 | M16 | 25.8 | 19.1 | 115.1 | 79.4 | 57.2 | 16.7 | 30.6 | 93.7 | 187.3 | 20.6 | 4.8 | 32.5 |
| 210 (GTMU) | 1-11/16 | 10.1 | 1-55/64 | 8-1/8 | 2-1/4 | 6 | 6-11/16 | 5/8 | 1-1/64 | 13/16 | 4-19/32 | 3-1/8 | 2-5/16 | 21/32 | 1-13/64 | 3-11/16 | 7-3/8 | 13/16 | 3/16 | 1-9/32 |
| | 45mm | 3.9 | 47.2 | 206.4 | 57.2 | 152.4 | 169.9 | M16 | 25.8 | 19.1 | 116.7 | 79.4 | 58.7 | 16.7 | 30.6 | 93.7 | 187.3 | 20.6 | 4.8 | 32.5 |

#R & S dimensions will vary slightly depending on true shaft diameter

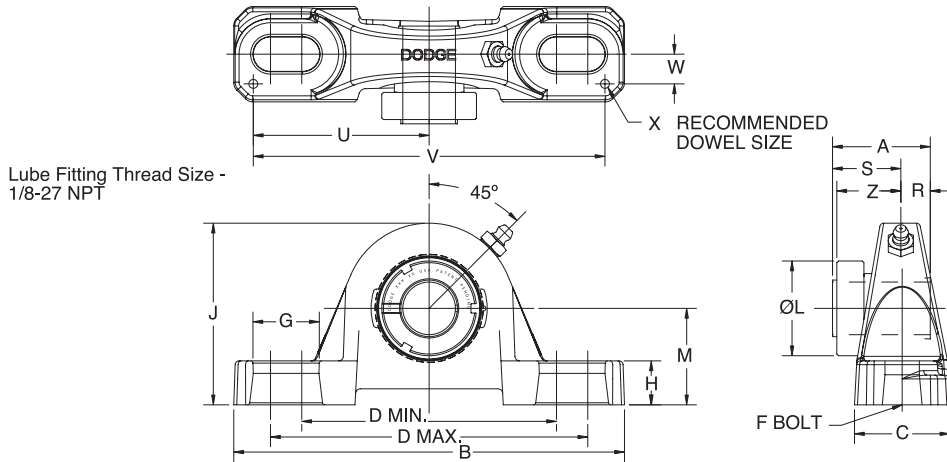
@ Only 1 pillow block can be dowel pinned per shaft

| | | | |
|--------------------------------|--|------------------------|--------------------------------|
| FEATURES/BENEFITS PAGE B2-2 | HOW TO ORDER/NOMENCLATURE PAGE B2-4 | SELECTION PAGE B2-5 | RELATED PRODUCTS PAGE B2-96 |
|--------------------------------|--|------------------------|--------------------------------|

SELECTION/DIMENSIONS



GRIP TIGHT Adapter Ball Bearings GTM MEDIUM DUTY PILLOW BLOCKS



| Series | Shaft Size | Complete Unit | | Unit Without Adapter & Nut | | Adapter & Nut Assembly | |
|--------|------------|---------------|-------------|----------------------------|-------------|------------------------|---------------|
| | | Part No. | Description | Part No. | Description | Part No. | Description |
| 211 | 1-15/16 | 129223 | P2B-GTM-115 | 129428 | P2B-GT-11 | 129931 | AN-GTM-11-115 |
| | 2 | 129224 | P2B-GTM-200 | | | 129932 | AN-GTM-11-200 |
| | 50mm | 136262 | P2B-GTM-50M | | | 129961 | AN-GTM-11-50M |
| 212 | 2-3/16 | 129225 | P2B-GTM-203 | 129429 | P2B-GT-12 | 129933 | AN-GTM-12-203 |
| | 2-1/4 | 129226 | P2B-GTM-204 | | | 129934 | AN-GTM-12-204 |
| | 55mm | 136263 | P2B-GTM-55M | | | 129962 | AN-GTM-12-55M |
| 214 | 2-7/16 | 129227 | P2B-GTM-207 | 129430 | P2B-GT-14 | 129935 | AN-GTM-14-207 |
| | 2-1/2 | 129228 | P2B-GTM-208 | | | 129936 | AN-GTM-14-208 |
| | 60mm | 068071 | P2B-GTM-60M | | | 064497 | AN-GTM-14-60M |
| 215 | 65mm | 136264 | P2B-GTM-65M | 129431 | P2B-GT-15 | 129937 | AN-GTM-15-211 |
| | 2-11/16 | 129229 | P2B-GTM-211 | | | 129964 | AN-GTM-15-70M |
| | 70mm | 136265 | P2B-GTM-70M | | | | |
| 216 | 2-15/16 | 129230 | P2B-GTM-215 | 129453 | P2B-GT-16 | 129938 | AN-GTM-16-215 |
| | 3 | 129231 | P2B-GTM-300 | | | 129939 | AN-GTM-16-300 |
| | 75mm | 136266 | P2B-GTM-75M | | | 129965 | AN-GTM-16-75M |
| 218 | 3-7/16 | 129232 | P2B-GTM-307 | 129454 | P2B-GT-18 | 129940 | AN-GTM-18-307 |
| | 3-1/2 | 129233 | P2B-GTM-308 | | | 129941 | AN-GTM-18-308 |
| | 85mm | 136267 | P2B-GTM-85M | | | 129966 | AN-GTM-18-85M |

@ Assembled to order

| | | | |
|--------------------------------|--|------------------------|--------------------------------|
| FEATURES/BENEFITS PAGE B2-2 | HOW TO ORDER/NOMENCLATURE PAGE B2-4 | SELECTION PAGE B2-5 | RELATED PRODUCTS PAGE B2-96 |
|--------------------------------|--|------------------------|--------------------------------|

SELECTION/DIMENSIONS



GRIP TIGHT Adapter Ball Bearings GTM MEDIUM DUTY PILLOW BLOCKS

Bearing Quick Reference

E-Z KLEEN

GRIP TIGHT Adapter Ball Bearing

Set Screw Ball Bearing

Eccentric Collar Ball Bearing

| Series | Shaft Size | Weight lbs kg | A | B | C | D | | F Bolt Dia. | G | H | J | L | M | R# | S# | U | V | W | X@ | Z |
|--------|-----------------------|---------------------|---------|--------|---------|---------|---------|-------------------|---------|--------|---------|---------|-------|-------|---------|---------|--------|--------|------|---------|
| | | | | | | min. | max. | | | | | | | | | | | | | |
| 211 | 1-15/16 | 12.3 | 1-59/64 | 8-7/8 | 2-5/16 | 6-3/8 | 7-7/16 | 5/8 | 1-7/32 | 7/8 | 4-15/16 | 3-27/64 | 2-1/2 | 45/64 | 1-7/32 | 3-15/16 | 7-7/8 | 13/16 | 3/16 | 1-11/32 |
| | 2 50mm | 12.2 5.6 | 48.8 | 225.4 | 58.7 | 161.9 | 188.9 | M16 | 31.0 | 22.2 | 125.4 | 86.9 | 63.5 | 17.9 | 31.0 | 100.0 | 200.0 | 20.6 | 4.8 | 34.1 |
| 212 | 2-3/16 | 17.5 | 2-7/64 | 9-1/2 | 2-3/8 | 6-7/8 | 7-15/16 | 5/8 | 1-7/32 | 7/8 | 5-3/8 | 3-11/16 | 2-3/4 | 49/64 | 1-11/32 | 4-1/4 | 8-1/2 | 7/8 | 3/16 | 1-15/32 |
| | 2-1/4 55mm | 17.5 7.0 | 53.6 | 241.3 | 60.3 | 174.6 | 201.6 | M16 | 31.0 | 22.2 | 136.5 | 93.7 | 69.9 | 19.4 | 34.1 | 108.0 | 215.9 | 22.2 | 4.8 | 37.3 |
| 214 | 2-7/16 | 19.4 | 2-25/64 | 10-3/4 | 2-11/16 | 7-1/2 | 8-1/2 | 3/4 | 1-5/16 | 15/16 | 6-5/64 | 4 | 3 | 7/8 | 1-33/64 | 4-7/8 | 9-3/4 | 15/16 | 3/16 | 1-19/32 |
| | 2-1/2 60mm 65mm | 19.4 9.0 8.9 | 60.7 | 273.1 | 68.3 | 190.5 | 215.9 | M18 | 33.3 | 23.8 | 154.4 | 101.6 | 76.2 | 22.2 | 38.5 | 123.8 | 247.7 | 23.8 | 4.8 | 40.5 |
| 215 | 2-11/16 | 24.9 | 2-29/64 | 11-3/4 | 2-7/8 | 8-1/2 | 9-1/2 | 7/8 | 1-7/16 | 1 | 6-23/32 | 4-7/16 | 3-1/2 | 57/64 | 1-9/16 | 5-1/2 | 11 | 1-1/16 | 3/16 | 1-5/8 |
| | 70mm | 10.1 | 62.3 | 298.5 | 73.0 | 215.9 | 241.3 | M22 | 36.5 | 25.4 | 170.7 | 112.7 | 88.9 | 22.6 | 39.7 | 139.7 | 279.4 | 27.0 | 4.8 | 41.3 |
| 216 | 2-15/16 | 25.4 | 2-11/16 | 11-3/4 | 3 | 8-1/2 | 9-1/2 | 7/8 | 1-7/16 | 1-1/4 | 6-31/32 | 4-11/16 | 3-1/2 | 29/32 | 1-55/64 | 5-1/2 | 11 | 1-3/32 | 3/16 | 1-5/8 |
| | 3 75mm | 10.3 | 69.3 | 298.5 | 76.2 | 215.9 | 241.3 | M22 | 36.5 | 31.8 | 177.0 | 119.1 | 88.9 | 23.0 | 47.2 | 139.7 | 279.4 | 27.8 | 4.8 | 41.3 |
| 218 | 3-7/16 | 34.9 | 2-51/64 | 14 | 3-3/8 | 10-5/16 | 11-5/8 | 7/8 | 1-19/32 | 1-5/16 | 8 | 5-3/16 | 4 | 1 | 1-51/64 | 6-9/16 | 13-1/8 | 1-3/16 | 3/16 | 1-45/64 |
| | 3-1/2 85mm | 14.1 | 71.0 | 355.6 | 85.7 | 261.9 | 295.3 | M22 | 40.5 | 33.3 | 203.2 | 131.8 | 101.6 | 25.3 | 45.6 | 166.7 | 333.4 | 30.2 | 4.8 | 43.3 |

#R & S dimensions will vary slightly depending on true shaft diameter

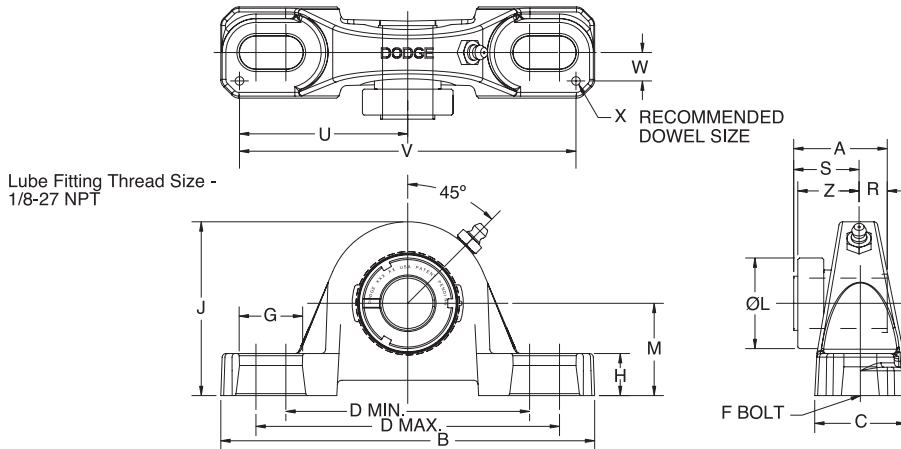
@ Only 1 pillow block can be dowel pinned per shaft

| | | | |
|--------------------------------|--|------------------------|--------------------------------|
| FEATURES/BENEFITS PAGE B2-2 | HOW TO ORDER/NOMENCLATURE PAGE B2-4 | SELECTION PAGE B2-5 | RELATED PRODUCTS PAGE B2-96 |
|--------------------------------|--|------------------------|--------------------------------|

SELECTION/DIMENSIONS



GRIP TIGHT Adapter Ball Bearings GTMAH AIR HANDLING MEDIUM DUTY PILLOW BLOCKS



| Series | Shaft Size | Complete Unit | | Unit Without Adapter & Nut | | Adapter & Nut Assembly | |
|---------------|--------------------------|-------------------------------------|--|----------------------------|---------------|---|---|
| | | Part No. | Description | Part No. | Description | Part No. | Description |
| 205 | 3/4 | @ | P2B-GTMAH-012 | 129443 | P2B-GTAH-05 | 129924 | AN-GTM-05-012 |
| 206 | 1 25mm | 129234 @ | P2B-GTMAH-100 P2B-GTMAH-25M | 129452 | P2B-GTUAH-06 | 129925 129957 | AN-GTM-06-100 AN-GTM-06-25M |
| 206 (GTMU) | 1 25mm | 129382 @ | P2B-GTMUAH-100 P2B-GTMUAH-25M | 129386 | P2B-GTMUAH-06 | 129925 129957 | AN-GTM-06-100 AN-GTM-06-25M |
| 207 | 1-3/16 1-1/4 30mm | 129235 @ 068871 | P2B-GTMAH-103 P2B-GTAH-104 P2B-GTMAH-30M | 129444 | P2B-GTAH-07 | 129926 129911 129954 | AN-GTM-07-103 AN-GT-07-104 AN-GTM-07-30M |
| 208 | 1-7/16 35mm | 129236 065597 | P2B-GTMAH-107 P2B-GTMAH-35M | 129445 | P2B-GTAH-08 | 129927 129958 | AN-GTM-08-107 AN-GTM-08-35M |
| 209 | 1-1/2 40mm | @ 068662 | P2B-GTMAH-108 P2B-GTMAH-40M | 129446 | P2B-GTAH-09 | 129928 129959 | AN-GTM-09-108 AN-GTM-09-40M |
| 210 | 1-11/16 1-3/4 45mm | 129237 @ 068680 | P2B-GTMAH-111 P2B-GTMAH-112 P2B-GTMAH-45M | 129447 | P2B-GTAH-10 | 129929 129930 129960 | AN-GTM-10-111 AN-GTM-10-112 AN-GTM-10-45M |
| 210 (GTMU) | 1-11/16 1-3/4 45mm | 129384 @ @ | P2B-GTMUAH-111 P2B-GTMUAH-112 P2B-GTMUAH-45M | 129388 | P2B-GTUAH-10 | 129929 129930 129960 | AN-GTM-10-111 AN-GTM-10-112 AN-GTM-10-45M |

@ Assembled to order

| | | | |
|--------------------------------|--|------------------------|--------------------------------|
| FEATURES/BENEFITS PAGE B2-2 | HOW TO ORDER/NOMENCLATURE PAGE B2-4 | SELECTION PAGE B2-5 | RELATED PRODUCTS PAGE B2-96 |
|--------------------------------|--|------------------------|--------------------------------|

SELECTION/DIMENSIONS



GRIP TIGHT Adapter Ball Bearings GTMAH AIR HANDLING MEDIUM DUTY PILLOW BLOCKS

Bearing Quick Reference

E-Z KLEEN

GRIP TIGHT Adapter Ball Bearing

Set Screw Ball Bearing

Eccentric Collar Ball Bearing

| Series | Shaft Size | Weight lbs kg | A | B | C | D | | F Bolt Dia. | G | H | J | L | M | R# | S# | U | V | W | X | Z |
|---------------|---------------|---------------------|---------|--------|---------|---------|---------|-------------------|--------|-------|---------|---------|--------|-------|---------|---------|---------|-------|------|---------|
| | | | | | | min. | max. | | | | | | | | | | | | | |
| 205 | 3/4 | 2.4 | 1-29/64 | 5-1/2 | 1-13/32 | 3-11/16 | 4-1/2 | 3/8 | 27/32 | 37/64 | 2-5/32 | 1-51/64 | 1-7/16 | 1/2 | 61/64 | 2-1/2 | 5 | 1/2 | 3/16 | 1-1/64 |
| 206 | 1 | 4.2 | 1-39/64 | 6-1/4 | 1-47/64 | 4-1/4 | 5 | 1/2 | 15/16 | 5/8 | 3-1/4 | 2-5/64 | 1-5/8 | 17/32 | 1-5/64 | 2-7/8 | 5-3/4 | 9/16 | 3/16 | 1-1/8 |
| | 25mm | 1.7 | 40.9 | 158.8 | 44.1 | 108.0 | 127.0 | M12 | 23.8 | 15.9 | 82.6 | 52.8 | 41.3 | 13.5 | 27.4 | 73.0 | 146.1 | 14.3 | 4.8 | 28.6 |
| 206 (GTMU) | 1 | 4.2 | 1-39/64 | 6-1/4 | 1-47/64 | 4-1/4 | 5 | 1/2 | 15/16 | 11/16 | 3-5/16 | 2-5/64 | 1-3/4 | 17/32 | 1-5/64 | 2-7/8 | 5-3/4 | 9/16 | 3/16 | 1-1/8 |
| | 25mm | 1.7 | 40.9 | 158.8 | 44.1 | 108.0 | 127.0 | M12 | 23.8 | 17.5 | 84.1 | 52.8 | 44.5 | 13.5 | 27.4 | 73.0 | 146.1 | 14.3 | 4.8 | 28.6 |
| 207 | 1-3/16 | 5.1 | 1-5/8 | 6-1/2 | 1-47/64 | 4-11/16 | 5-7/16 | 1/2 | 15/16 | 45/64 | 3-3/4 | 2-3/8 | 1-7/8 | 9/16 | 1-1/16 | 2-29/32 | 5-13/16 | 9/16 | 3/16 | 1-9/64 |
| | 1-1/4 30mm | 2.2 | 41.3 | 165.1 | 44.1 | 119.1 | 138.1 | M12 | 23.8 | 17.9 | 95.3 | 60.3 | 47.6 | 14.3 | 27.0 | 73.8 | 147.6 | 14.3 | 4.8 | 29.0 |
| 208 | 1-7/16 | 7.2 | 1-27/32 | 7-1/4 | 1-15/16 | 5-3/16 | 5-7/8 | 1/2 | 29/32 | 15/16 | 4-3/16 | 2-5/8 | 2-1/8 | 21/32 | 1-3/16 | 3-17/64 | 6-17/32 | 11/16 | 3/16 | 1-15/64 |
| | 35mm | 2.7 | 46.8 | 184.2 | 49.2 | 131.8 | 149.2 | M12 | 23.0 | 23.8 | 106.4 | 66.7 | 54.0 | 16.7 | 30.2 | 82.9 | 165.9 | 17.5 | 4.8 | 31.4 |
| 209 | 1-1/2 | 9.2 | 1-55/64 | 7-7/16 | 2 | 5-1/2 | 6-3/16 | 1/2 | 29/32 | 3/4 | 4-9/32 | 2-55/64 | 2-1/8 | 21/32 | 1-13/64 | 3-3/8 | 6-3/4 | 11/16 | 3/16 | 1-9/32 |
| | 40mm | 3.1 | 47.2 | 188.9 | 50.8 | 139.7 | 157.2 | M12 | 23.0 | 19.1 | 108.7 | 72.6 | 54.0 | 16.7 | 30.6 | 85.7 | 171.5 | 17.5 | 4.8 | 32.5 |
| 210 | 1-11/16 | 10.1 | 1-55/64 | 8-1/8 | 2-1/4 | 6 | 6-11/16 | 5/8 | 1-1/64 | 3/4 | 4-17/32 | 3-1/8 | 2-1/4 | 21/32 | 1-13/64 | 3-11/16 | 7-3/8 | 13/16 | 3/16 | 1-9/32 |
| | 1-3/4 45mm | 3.9 | 47.2 | 206.4 | 57.2 | 152.4 | 169.9 | M16 | 25.8 | 19.1 | 115.1 | 79.375 | 57.2 | 16.7 | 30.6 | 93.7 | 187.3 | 20.6 | 4.8 | 32.5 |
| 210 (GTMU) | 1-11/16 | 10.1 | 1-55/64 | 8-1/8 | 2-1/4 | 6 | 6-11/16 | 5/8 | 1-1/64 | 13/16 | 4-19/32 | 3-1/8 | 2-5/16 | 21/32 | 1-13/64 | 3-11/16 | 7-3/8 | 13/16 | 3/16 | 1-9/32 |
| | 1-3/4 45mm | 3.9 | 47.2 | 206.4 | 57.2 | 152.4 | 169.9 | M16 | 25.8 | 19.1 | 116.7 | 79.375 | 58.7 | 16.7 | 30.6 | 93.7 | 187.3 | 20.6 | 4.8 | 32.5 |

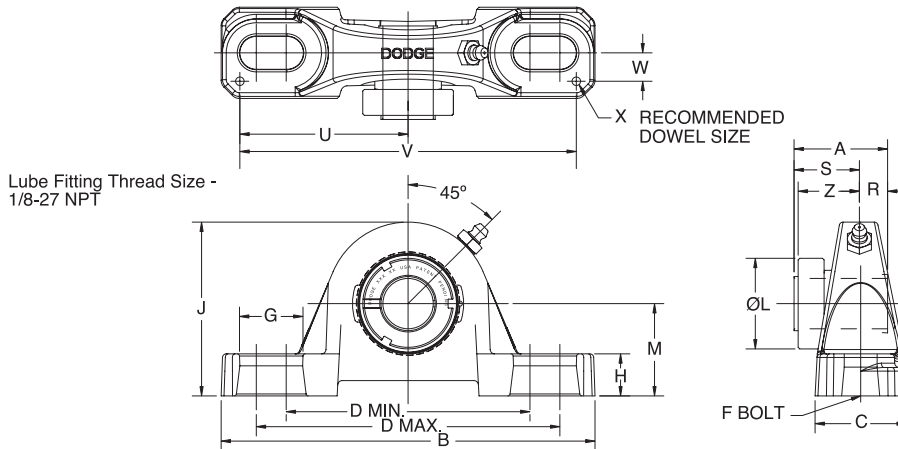
#R & S dimensions will vary slightly depending on true shaft diameter

| | | | |
|--------------------------------|--|------------------------|--------------------------------|
| FEATURES/BENEFITS PAGE B2-2 | HOW TO ORDER/NOMENCLATURE PAGE B2-4 | SELECTION PAGE B2-5 | RELATED PRODUCTS PAGE B2-96 |
|--------------------------------|--|------------------------|--------------------------------|

SELECTION/DIMENSIONS



GRIP TIGHT Adapter Ball Bearings GTMAH AIR HANDLING MEDIUM DUTY PILLOW BLOCKS



| Series | Shaft Size | Complete Unit | | Unit Without Adapter & Nut | | Adapter & Nut Assembly | |
|--------|------------|---------------|---------------|----------------------------|-------------|------------------------|---------------|
| | | Part No. | Description | Part No. | Description | Part No. | Description |
| 211 | 1-15/16 | 129238 | P2B-GTMAH-115 | 129448 | P2B-GTAH-11 | 129931 | AN-GTM-11-115 |
| | 2 | @ | P2B-GTMAH-200 | | | 129932 | AN-GTM-11-200 |
| | 50mm | 065969 | P2B-GTMAH-50M | | | 129961 | AN-GTM-11-50M |
| 212 | 2-3/16 | 129239 | P2B-GTMAH-203 | 129449 | P2B-GTAH-12 | 129933 | AN-GTM-12-203 |
| | 2-1/4 | @ | P2B-GTMAH-204 | | | 129934 | AN-GTM-12-204 |
| | 55mm | 068673 | P2B-GTMAH-55M | | | 129962 | AN-GTM-12-55M |
| 214 | 2-7/16 | 129240 | P2B-GTMAH-207 | 129450 | P2B-GTAH-14 | 129935 | AN-GTM-14-207 |
| | 2-1/2 | @ | P2B-GTMAH-208 | | | 129936 | AN-GTM-14-208 |
| | 65mm | 068682 | P2B-GTMAH-65M | | | 129963 | AN-GTM-14-65M |
| 215 | 2-11/16 | 129241 | P2B-GTMAH-211 | 129451 | P2B-GTAH-15 | 129937 | AN-GTM-15-211 |
| | 70mm | 064684 | P2B-GTMAH-70M | | | 129964 | AN-GTM-15-70M |
| 216 | 2-15/16 | 129242 | P2B-GTMAH-215 | 129455 | P2B-GTAH-16 | 129938 | AN-GTM-16-215 |
| | 3 | @ | P2B-GTMAH-300 | | | 129939 | AN-GTM-16-300 |
| | 75mm | 068329 | P2B-GTMAH-75M | | | 129965 | AN-GTM-16-75M |
| 218 | 3-7/16 | 129243 | P2B-GTMAH-307 | 129456 | P2B-GTAH-18 | 129940 | AN-GTM-18-307 |
| | 3-1/2 | @ | P2B-GTMAH-308 | | | 129941 | AN-GTM-18-308 |
| | 85mm | 068686 | P2B-GTMAH-85M | | | 129966 | AN-GTM-18-85M |

@ Assembled to order

| | | | |
|--------------------------------|--|------------------------|--------------------------------|
| FEATURES/BENEFITS PAGE B2-2 | HOW TO ORDER/NOMENCLATURE PAGE B2-4 | SELECTION PAGE B2-5 | RELATED PRODUCTS PAGE B2-96 |
|--------------------------------|--|------------------------|--------------------------------|

SELECTION/DIMENSIONS



GRIP TIGHT Adapter Ball Bearings GTMAH AIR HANDLING MEDIUM DUTY PILLOW BLOCKS

Bearing Quick Reference

E-Z KLEEN

GRIP TIGHT Adapter Ball Bearing

Set Screw Ball Bearing

Eccentric Collar Ball Bearing

| Series | Shaft Size | Weight lbs kg | A | B | C | D | | F Bolt Dia. | G | H | J | L | M | R# | S# | U | V | W | X | Z |
|--------|---------------|---------------------|---------|--------|---------|---------|---------|-------------------|---------|--------|---------|---------|-------|-------|---------|---------|--------|--------|------|---------|
| | | | | | | min. | max. | | | | | | | | | | | | | |
| 211 | 1-15/16 | 12.3 | 1-59/64 | 8-7/8 | 2-5/16 | 6-3/8 | 7-7/16 | 5/8 | 1-7/32 | 7/8 | 4-15/16 | 3-27/64 | 2-1/2 | 45/64 | 1-7/32 | 3-15/16 | 7-7/8 | 13/16 | 3/16 | 1-11/32 |
| | 2 50mm | 5.6 | 48.8 | 225.4 | 58.7 | 161.9 | 188.9 | M16 | 31.0 | 22.2 | 125.4 | 86.9 | 63.5 | 17.9 | 31.0 | 100.0 | 200.0 | 20.6 | 4.8 | 34.1 |
| 212 | 2-3/16 | 17.5 | 2-7/64 | 9-1/2 | 2-3/8 | 6-7/8 | 7-15/16 | 5/8 | 1-7/32 | 7/8 | 5-3/8 | 3-11/16 | 2-3/4 | 49/64 | 1-11/32 | 4-1/4 | 8-1/2 | 7/8 | 3/16 | 1-15/32 |
| | 2-1/4 55mm | 7.0 | 53.6 | 241.3 | 60.3 | 174.6 | 201.6 | M16 | 31.0 | 22.2 | 136.5 | 93.7 | 69.9 | 19.4 | 34.1 | 108.0 | 215.9 | 22.2 | 4.8 | 37.3 |
| 214 | 2-7/16 | 19.4 | 2-25/64 | 10-3/4 | 2-11/16 | 7-1/2 | 8-1/2 | 3/4 | 1-5/16 | 15/16 | 6-5/64 | 4 | 3 | 7/8 | 1-33/64 | 4-7/8 | 9-3/4 | 15/16 | 3/16 | 1-19/32 |
| | 2-1/2 65mm | 8.9 | 60.7 | 273.1 | 68.3 | 190.5 | 215.9 | M18 | 33.3 | 23.8 | 154.4 | 101.6 | 76.2 | 22.2 | 38.5 | 123.8 | 247.7 | 23.8 | 4.8 | 40.5 |
| 215 | 2-11/16 | 24.9 | 2-29/64 | 11-3/4 | 2-7/8 | 8-1/2 | 9-1/2 | 7/8 | 1-7/16 | 1 | 6-23/32 | 4-7/16 | 3-1/2 | 57/64 | 1-9/16 | 5-1/2 | 11 | 1-1/16 | 3/16 | 1-5/8 |
| | 70mm | 10.1 | 62.3 | 298.5 | 73.0 | 215.9 | 241.3 | M22 | 36.5 | 25.4 | 170.7 | 112.7 | 88.9 | 22.6 | 39.7 | 139.7 | 279.4 | 27.0 | 4.8 | 41.3 |
| 216 | 2-15/16 | 25.4 | 2-11/16 | 11-3/4 | 3 | 8-1/2 | 9-1/2 | 7/8 | 1-7/16 | 1-1/4 | 6-31/32 | 4-11/16 | 3-1/2 | 29/32 | 1-55/64 | 5-1/2 | 11 | 1-3/32 | 3/16 | 1-5/8 |
| | 3 75mm | 10.3 | 68.3 | 298.5 | 76.2 | 215.9 | 241.3 | M22 | 36.5 | 31.8 | 177.0 | 119.1 | 88.9 | 23.0 | 47.2 | 139.7 | 279.4 | 27.8 | 4.8 | 41.3 |
| 218 | 3-7/16 | 34.9 | 2-51/64 | 14 | 3-3/8 | 10-5/16 | 11-5/8 | 7/8 | 1-19/32 | 1-5/16 | 8 | 5-3/16 | 4 | 1 | 1-51/64 | 6-9/16 | 13-1/8 | 1-3/16 | 3/16 | 1-45/64 |
| | 3-1/2 85mm | 14.1 | 71.0 | 355.6 | 85.7 | 261.9 | 295.3 | M22 | 40.5 | 33.3 | 203.2 | 131.8 | 101.6 | 25.3 | 45.6 | 166.7 | 333.4 | 30.2 | 4.8 | 43.3 |

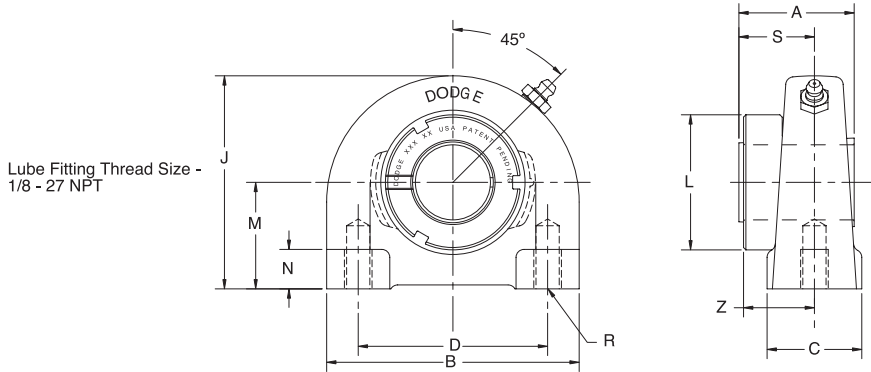
#R & S dimensions will vary slightly depending on true shaft diameter

| | | | |
|--------------------------------|--|------------------------|--------------------------------|
| FEATURES/BENEFITS PAGE B2-2 | HOW TO ORDER/NOMENCLATURE PAGE B2-4 | SELECTION PAGE B2-5 | RELATED PRODUCTS PAGE B2-96 |
|--------------------------------|--|------------------------|--------------------------------|

SELECTION/DIMENSIONS



GRIP TIGHT Adapter Ball Bearings GT NORMAL DUTY TAPPED BASE PILLOW BLOCKS



| Series | Shaft Size | Complete Unit | | Unit without Adapter Sleeve & Lock Nut | | Adapter Sleeve & Lock Nut Assembly | |
|--------|------------|---------------|-------------|--|-------------|------------------------------------|---------------|
| | | Part No. | Description | Part No. | Description | Part No. | Description |
| 204 | 3/4 | 129276 | TB-GT-012 | 129457 | TB-GT-04 | 129904 | AN-GT-04-012 |
| | 20mm | 136365 | TB-GT-20M | 136383 | TB-GT-04M | 129943 | AN-GT-04-20M |
| 205 | 7/8 | 129148 | TB-GT-014 | 129458 | TB-GT-05 | 129905 | AN-GT-05-014 |
| | 15/16 | 129277 | TB-GT-015 | | | 129906 | AN-GT-05-015 |
| | 1 | 129278 | TB-GT-100 | | | 129907 | AN-GT-05-100 |
| | 25mm | 136366 | TB-GT-25M | | | 129944 | AN-GT-05-25M |
| 206 | 1-1/8 | 129279 | TB-GT-102 | 129459 | TB-GT-06 | 129908 | AN-GT-06-102 |
| | 1-3/16 | 129280 | TB-GT-103 | | | 129909 | AN-GT-06-103 |
| | 1-1/4 | 129281 | TB-GT-104S | | | 129910 | AN-GT-06-104S |
| | 30mm | 136367 | TB-GT-30M | | | 129945 | AN-GT-06-30M |
| 207 | 1-1/4 | 129282 | TB-GT-104 | 129460 | TB-GT-07 | 129911 | AN-GT-07-104 |
| | 1-3/8 | 129283 | TB-GT-106 | | | 129912 | AN-GT-07-106 |
| | 1-7/16 | 129284 | TB-GT-107 | | | 129913 | AN-GT-07-107 |
| | 35mm | 136368 | TB-GT-35M | | | 129946 | AN-GT-07-35M |
| 208 | 1-1/2 | 129285 | TB-GT-108 | 129461 | TB-GT-08 | 129914 | AN-GT-08-108 |
| | 1-5/8 | @ | TB-GT-110 | | | 129955 | AN-GT-08-110 |
| | 40mm | 136369 | TB-GT-40M | | | 129947 | AN-GT-08-40M |
| 209 | 1-5/8 | 129286 | TB-GT-110L | 129462 | TB-GT-09 | 129915 | AN-GT-09-110L |
| | 1-11/16 | 129287 | TB-GT-111 | | | 129916 | AN-GT-09-111 |
| | 1-3/4 | 129288 | TB-GT-112 | | | 129917 | AN-GT-09-112 |
| | 45mm | 136370 | TB-GT-45M | | | 129948 | AN-GT-09-45M |
| 210 | 1-15/16 | 129289 | TB-GT-115 | 129463 | TB-GT-10 | 129918 | AN-GT-10-115 |
| | 2 | 129290 | TB-GT-200 | | | 129919 | AN-GT-10-200 |
| | 50mm | 136371 | TB-GT-50M | | | 129949 | AN-GT-10-50M |

@ Assemble to order

| | | | |
|--------------------------------|--|------------------------|--------------------------------|
| FEATURES/BENEFITS PAGE B2-2 | HOW TO ORDER/NOMENCLATURE PAGE B2-4 | SELECTION PAGE B2-5 | RELATED PRODUCTS PAGE B2-96 |
|--------------------------------|--|------------------------|--------------------------------|

SELECTION/DIMENSIONS



GRIP TIGHT Adapter Ball Bearings GT NORMAL DUTY TAPPED BASE PILLOW BLOCKS

| Series | Shaft Size | Weight lbs kg | A | B | C | D | J | L | M | N | R* UNC- Thread | S# | Z |
|--------|------------|---------------------|---------|-------|-------|-------|---------|---------|---------|------|----------------------|---------|---------|
| 204 | 3/4 | 1.9 | 1-15/32 | 2-7/8 | 1-1/2 | 2 | 2-9/16 | 1-1/2 | 1-5/16 | 1/2 | 3/8-16 | 63/64 | 1-3/64 |
| | 20mm | 0.9 | 37.3 | 73.0 | 38.1 | 50.8 | 65.1 | 38.1 | 33.3 | 12.7 | M8 x 1.25 | 25.0 | 26.2 |
| 205 | 7/8 | 2.1 | 1-29/64 | 3 | 1-1/2 | 2 | 2-13/16 | 1-51/64 | 1-7/16 | 1/2 | 3/8-16 | 61/64 | 1-1/64 |
| | 15/16 | 2.0 | | | | | | | | | | | |
| | 1 | 1.9 | | | | | | | | | | | |
| 206 | 25mm | 1.0 | 36.9 | 76.2 | 38.1 | 50.8 | 71.4 | 45.6 | 36.5 | 12.7 | M10 x 1.5 | 24.2 | 25.8 |
| | 1-1/8 | 3.6 | 1-39/64 | 4 | 1-1/2 | 3 | 3-3/8 | 2-5/64 | 1-11/16 | 5/8 | 7/16-14 | 1-5/64 | 1-1/8 |
| | 1-3/16 | 3.5 | | | | | | | | | | | |
| | 1-1/4 | 3.5 | | | | | | | | | | | |
| 207 | 30mm | 1.7 | 40.9 | 101.6 | 38.1 | 76.2 | 85.7 | 52.8 | 42.9 | 15.9 | M10 x 1.5 | 27.4 | 28.6 |
| | 1-1/4 | 4.7 | 1-5/8 | 4-1/4 | 1-7/8 | 3-1/4 | 3-3/4 | 2-3/8 | 1-7/8 | 3/4 | 1/2-13 | 1-1/16 | 1-9/64 |
| | 1-3/8 | 4.7 | | | | | | | | | | | |
| | 1-7/16 | 4.6 | | | | | | | | | | | |
| 208 | 35mm | 2.3 | 41.3 | 108.0 | 47.6 | 82.6 | 95.3 | 60.3 | 47.6 | 19.1 | M10 x 1.5 | 27.0 | 29.0 |
| | 1-1/2 | 6.2 | 1-55/64 | 4-5/8 | 1-7/8 | 3-1/2 | 3-15/16 | 2-5/8 | 1-15/16 | 3/4 | 1/2-13 | 1-3/16 | 1-15/64 |
| | 1-5/8 | 6.1 | | | | | | | | | | | |
| 209 | 40mm | 3.0 | 47.2 | 117.5 | 47.6 | 88.9 | 100.0 | 66.7 | 49.2 | 19.1 | M12 x 1.75 | 30.2 | 31.4 |
| | 1-5/8 | 6.7 | 1-27/32 | 5 | 2 | 3-3/4 | 4-1/4 | 2-55/64 | 2-1/8 | 3/4 | 1/2-13 | 1-3/16 | 1-9/32 |
| | 1-11/16 | 6.7 | | | | | | | | | | | |
| | 1-3/4 | 6.6 | | | | | | | | | | | |
| 210 | 45mm | 3.2 | 46.8 | 127.0 | 50.8 | 95.3 | 108.0 | 72.6 | 54.0 | 19.1 | M12 x 1.75 | 30.2 | 32.5 |
| | 1-15/16 | 8.6 | 1-55/64 | 5-1/2 | 2 | 4 | 4-5/8 | 3-1/8 | 2-1/4 | 7/8 | 5/8-11 | 1-13/64 | 1-9/32 |
| | 2 | 8.5 | | | | | | | | | | | |
| | 50mm | 4.2 | 47.2 | 139.7 | 50.8 | 101.6 | 117.5 | 79.4 | 57.2 | 22.2 | M16 x 2 | 30.6 | 32.5 |

#S dimension will vary slightly depending on true shaft diameter

* Mounting surface bolt holes on all GRIP TIGHT Tapped Base Units must have at least 1/16" bolt clearance

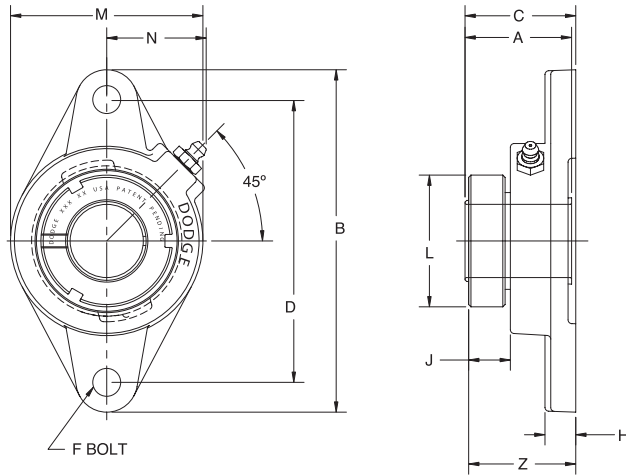
| | | | |
|--------------------------------|--|------------------------|--------------------------------|
| FEATURES/BENEFITS PAGE B2-2 | HOW TO ORDER/NOMENCLATURE PAGE B2-4 | SELECTION PAGE B2-5 | RELATED PRODUCTS PAGE B2-96 |
|--------------------------------|--|------------------------|--------------------------------|

SELECTION/DIMENSIONS



GRIP TIGHT Adapter Ball Bearings GT NORMAL DUTY 2 BOLT FLANGE BEARINGS

Lube Fitting Thread Size -
203 Series - 1/4 - 28 Tapered Thread
204 Series and Larger - 1/8 - 27 NPT



| Series | Shaft Size | Complete Unit | | Unit without Adapter Sleeve & Lock Nut | | Adapter Sleeve & Lock Nut Assembly | |
|--------|------------|---------------|-------------|--|-------------|------------------------------------|---------------|
| | | Part No. | Description | Part No. | Description | Part No. | Description |
| 203 | 1/2 | 129301 | F2B-GT-008 | 129490 | F2B-GT-03 | 129902 | AN-GT-03-008 |
| | 5/8 | 129302 | F2B-GT-010 | | | 129903 | AN-GT-03-010 |
| | 17mm | 129321 | F2B-GT-17M | | | 129942 | AN-GT-03-17M |
| 204 | 3/4 | 129303 | F2B-GT-012 | 129491 | F2B-GT-04 | 129904 | AN-GT-04-012 |
| | 20mm | 129322 | F2B-GT-20M | | | 129943 | AN-GT-04-20M |
| 205 | 7/8 | 129304 | F2B-GT-014 | 129492 | F2B-GT-05 | 129905 | AN-GT-05-014 |
| | 15/16 | 129305 | F2B-GT-015 | | | 129906 | AN-GT-05-015 |
| | 1 | 129306 | F2B-GT-100 | | | 129907 | AN-GT-05-100 |
| | 25mm | 129323 | F2B-GT-25M | | | 129944 | AN-GT-05-25M |
| 206 | 1-1/8 | 129307 | F2B-GT-102 | 129493 | F2B-GT-06 | 129908 | AN-GT-06-102 |
| | 1-3/16 | 129308 | F2B-GT-103 | | | 129909 | AN-GT-06-103 |
| | 1-1/4 | 129309 | F2B-GT-104S | | | 129910 | AN-GT-06-104S |
| | 30mm | 129324 | F2B-GT-30M | | | 129945 | AN-GT-06-30M |
| 207 | 1-1/4 | 129310 | F2B-GT-104 | 129494 | F2B-GT-07 | 129911 | AN-GT-07-104 |
| | 1-3/8 | 129311 | F2B-GT-106 | | | 129912 | AN-GT-07-106 |
| | 1-7/16 | 129312 | F2B-GT-107 | | | 129913 | AN-GT-07-107 |
| | 35mm | 129325 | F2B-GT-35M | | | 129946 | AN-GT-07-35M |

@ Assembled to order.

| | | | |
|--------------------------------|--|------------------------|--------------------------------|
| FEATURES/BENEFITS PAGE B2-2 | HOW TO ORDER/NOMENCLATURE PAGE B2-4 | SELECTION PAGE B2-5 | RELATED PRODUCTS PAGE B2-96 |
|--------------------------------|--|------------------------|--------------------------------|

SELECTION/DIMENSIONS



GRIP TIGHT Adapter Ball Bearings GT NORMAL DUTY 2 BOLT FLANGE BEARINGS

Bearing Quick Reference

E-Z KLEEN

GRIP TIGHT Adapter Ball Bearing

Set Screw Ball Bearing

Eccentric Collar Ball Bearing

| Series | Shaft Size | Weight lbs kg | A | B | C# | D | F Bolt Dia. | H | J | L | M | N | Z |
|--------|-------------|---------------------|---------|---------|---------|---------|-------------|------|-------|---------|-------|---------|---------|
| 203 | 1/2 | 0.9 | 1-19/64 | 3-7/8 | 1-27/64 | 3 | 3/8 | 3/8 | 39/64 | 1-13/32 | 2-1/8 | 1-1/8 | 1-29/64 |
| | 5/8 17mm | 0.8 0.3 | 32.9 | 98.4 | 36.1 | 76.2 | M10 | 9.5 | 15.5 | 35.7 | 54.0 | 28.6 | 36.9 |
| 204 | 3/4 | 1.7 | 1-15/32 | 4-13/32 | 1-39/64 | 3-17/32 | 3/8 | 1/2 | 11/16 | 1-1/2 | 2-3/8 | 1-1/2 | 1-43/64 |
| | 20mm | 0.6 | 37.3 | 111.9 | 40.9 | 89.7 | M10 | 12.7 | 17.5 | 38.1 | 60.3 | 38.1 | 42.5 |
| 205 | 7/8 | 2.0 | 1-29/64 | 4-7/8 | 1-35/64 | 3-57/64 | 7/16 | 1/2 | 21/32 | 1-51/64 | 2-3/4 | 1-7/16 | 1-39/64 |
| | 15/16 | 1.9 | | | | | | | | | | | |
| | 1 25mm | 1.8 0.8 | 36.9 | 123.8 | 39.3 | 98.8 | M10 | 12.7 | 16.7 | 45.6 | 69.9 | 36.5 | 40.9 |
| 206 | 1-1/8 | 2.8 | 1-39/64 | 5-9/16 | 1-45/64 | 4-19/32 | 7/16 | 1/2 | 11/16 | 2-5/64 | 3-1/8 | 1-9/16 | 1-3/4 |
| | 1-3/16 | 2.7 | | | | | | | | | | | |
| | 1-1/4 | 2.5 | | | | | | | | | | | |
| | 30mm | 1.3 | 40.9 | 141.3 | 43.3 | 116.7 | M10 | 12.7 | 17.5 | 52.8 | 79.4 | 39.7 | 44.5 |
| 207 | 1-1/4 | 4.3 | 1-5/8 | 6-1/8 | 1-25/32 | 5-1/8 | 1/2 | 9/16 | 41/64 | 2-3/8 | 3-3/4 | 1-27/32 | 1-55/64 |
| | 1-3/8 | 4.1 | | | | | | | | | | | |
| | 1-7/16 | 3.9 | | | | | | | | | | | |
| | 35mm | 1.9 | 41.3 | 155.6 | 45.2 | 130.2 | M12 | 14.3 | 16.3 | 60.3 | 95.3 | 46.8 | 47.2 |

#C dimension will vary slightly depending on true shaft diameter.

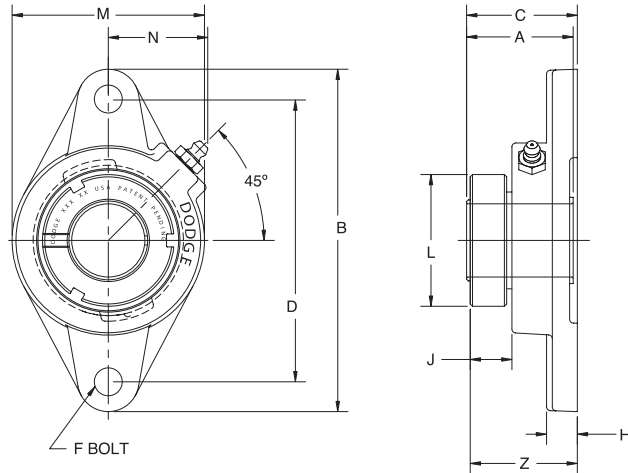
| | | | |
|--------------------------------|--|------------------------|--------------------------------|
| FEATURES/BENEFITS PAGE B2-2 | HOW TO ORDER/NOMENCLATURE PAGE B2-4 | SELECTION PAGE B2-5 | RELATED PRODUCTS PAGE B2-96 |
|--------------------------------|--|------------------------|--------------------------------|

SELECTION/DIMENSIONS



GRIP TIGHT Adapter Ball Bearings GT NORMAL DUTY 2 BOLT FLANGE BEARINGS

Lube Fitting Thread Size -
203 Series - 1/4 - 28 Tapered Thread
204 Series and Larger - 1/8 - 27 NPT



| Series | Shaft Size | Complete Unit | | Unit without Adapter Sleeve & Lock Nut | | Adapter Sleeve & Lock Nut Assembly | |
|--------|------------|---------------|-------------|--|-------------|------------------------------------|---------------|
| | | Part No. | Description | Part No. | Description | Part No. | Description |
| 208 | 1-1/2 | 129313 | F2B-GT-108 | 129495 | F2B-GT-08 | 129914 | AN-GT-08-108 |
| | 1-5/8 | 129373 | F2B-GT-110 | | | 129955 | AN-GT-01-110 |
| | 40mm | 129326 | F2B-GT-40M | | | 129947 | AN-GT-08-40M |
| 209 | 1-5/8 | 129314 | F2B-GT-110L | 129496 | F2B-GT-09 | 129915 | AN-GT-09-110L |
| | 1-11/16 | 129315 | F2B-GT-111 | | | 129916 | AN-GT-09-111 |
| | 1-3/4 | 129316 | F2B-GT-112 | | | 129917 | AN-GT-09-112 |
| | 45mm | 129327 | F2B-GT-45M | | | 129948 | AN-GT-09-45M |
| 210 | 1-15/16 | 129317 | F2B-GT-115 | 129497 | F2B-GT-10 | 129918 | AN-GT-10-115 |
| | 2 | 129318 | F2B-GT-200 | | | 129919 | AN-GT-10-200 |
| | 50mm | 129328 | F2B-GT-50M | | | 129949 | AN-GT-10-50M |
| 211 | 2 | 129337 | F2B-GTM-200 | 129498 | F2B-GT-11 | 129932 | AN-GTM-11-200 |
| | 2-3/16 | 129319 | F2B-GT-203 | | | 129920 | AN-GT-11-203 |
| | 2-1/4 | 129378 | F2B-GT-204 | | | 129956 | AN-GT-11-204 |
| | 55mm | 129329 | F2B-GT-55M | | | 129950 | AN-GT-11-55M |
| 212 | 2-1/4 | 064472 | F2B-GTM-204 | 129078 | F2B-GT-12 | 129934 | AN-GTM-12-204 |
| | 2-7/16 | 064211 | F2B-GT-207 | | | 129921 | AN-GT-12-207 |
| | 60mm | 068861 | F2B-GT-60M | | | 129951 | AN-GT-12-60M |

@ Assembled to order.

| | | | |
|--------------------------------|--|------------------------|--------------------------------|
| FEATURES/BENEFITS PAGE B2-2 | HOW TO ORDER/NOMENCLATURE PAGE B2-4 | SELECTION PAGE B2-5 | RELATED PRODUCTS PAGE B2-96 |
|--------------------------------|--|------------------------|--------------------------------|

SELECTION/DIMENSIONS



GRIP TIGHT Adapter Ball Bearings GT NORMAL DUTY 2 BOLT FLANGE BEARINGS

Bearing Quick Reference

E-Z KLEEN

GRIP TIGHT Adapter Ball Bearing

Set Screw Ball Bearing

Eccentric Collar Ball Bearing

| Series | Shaft Size | Weight lbs kg | A | B | C# | D | F Bolt Dia. | H | J | L | M | N | Z |
|--------|------------|---------------------|---------|---------|---------|---------|-------------------|-------|-------|---------|--------|---------|--------|
| 208 | 1-1/2 | 5.0 | 1-27/32 | 6-3/4 | 1-31/32 | 5-21/32 | 1/2 | 9/16 | 43/64 | 2-5/8 | 4-1/8 | 1-53/64 | 2-7/32 |
| | 1-5/8 | 4.8 | | | | | | | | | | | |
| | 40mm | 2.3 | 46.8 | 171.5 | 50.0 | 143.7 | M12 | 14.3 | 17.1 | 66.7 | 104.8 | 46.4 | 56.4 |
| 209 | 1-5/8 | 6.2 | 1-55/64 | 7-1/16 | 2 | 5-27/32 | 1/2 | 5/8 | 11/16 | 2-55/64 | 4-3/8 | 1-29/32 | 2-3/32 |
| | 1-11/16 | 6.1 | | | | | | | | | | | |
| | 45mm | 2.7 | 47.2 | 179.4 | 50.8 | 148.4 | M12 | 15.9 | 17.5 | 72.6 | 111.1 | 48.4 | 53.2 |
| 210 | 1-15/16 | 6.9 | 1-55/64 | 7-7/16 | 2-3/64 | 6-3/16 | 1/2 | 5/8 | 21/32 | 3-1/8 | 4-9/16 | 2-1/32 | 2-1/8 |
| | 2 | 6.8 | | | | | | | | | | | |
| | 50mm | 3.2 | 47.2 | 188.9 | 52.0 | 157.2 | M12 | 15.9 | 16.7 | 79.4 | 115.9 | 51.6 | 54.0 |
| 211 | 2 | 8.0 | 1-59/64 | 8-5/8 | 2-5/32 | 7-1/4 | 5/8 | 11/16 | 11/16 | 3-27/64 | 5-1/4 | 2-17/64 | 2-9/32 |
| | 2-3/16 | 7.9 | | | | | | | | | | | |
| | 55mm | 3.7 | 48.8 | 219.1 | 54.8 | 184.2 | M16 | 17.5 | 17.5 | 86.9 | 133.4 | 57.5 | 57.9 |
| 212 | 2-1/4 | 9.3 | 2-7/64 | 9-13/16 | 2-5/16 | 7-61/64 | 7/8 | 13/16 | 23/32 | 3-11/16 | 5-1/2 | 2-15/32 | 2-7/16 |
| | 2-7/16 | 9.2 | | | | | | | | | | | |
| | 60mm | 4.5 | 53.6 | 249.2 | 58.7 | 202.0 | M22 | 20.6 | 18.3 | 93.7 | 139.7 | 62.7 | 61.9 |

#C dimension will vary slightly depending on true shaft diameter.

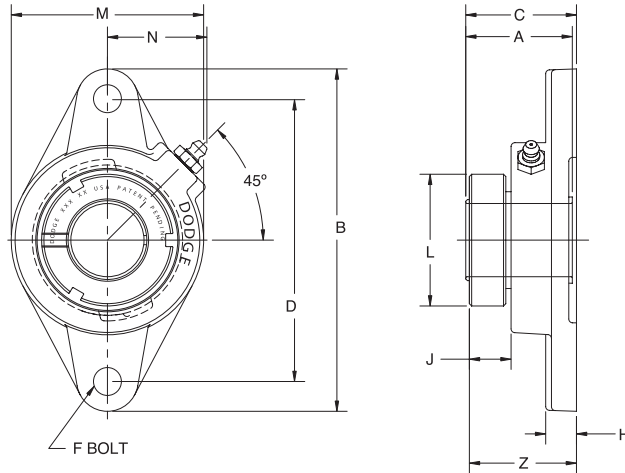
| | | | |
|--------------------------------|--|------------------------|--------------------------------|
| FEATURES/BENEFITS PAGE B2-2 | HOW TO ORDER/NOMENCLATURE PAGE B2-4 | SELECTION PAGE B2-5 | RELATED PRODUCTS PAGE B2-96 |
|--------------------------------|--|------------------------|--------------------------------|

SELECTION/DIMENSIONS



GRIP TIGHT Adapter Ball Bearings GTAH AIR HANDLING NORMAL DUTY 2 BOLT FLANGE BEARINGS

Lube Fitting Thread Size -
203 Series - 1/4 - 28 Tapered Thread
204 Series and Larger - 1/8 - 27 NPT



| Series | Shaft Size | Complete Unit | | Unit without Adapter Sleeve & Lock Nut | | Adapter Sleeve & Lock Nut Assembly | |
|--------|------------|---------------|---------------|--|-------------|------------------------------------|---------------|
| | | Part No. | Description | Part No. | Description | Part No. | Description |
| 203 | 1/2 | @ | F2B-GTAH-008 | 129499 | F2B-GTAH-03 | 129902 | AN-GT-03-008 |
| | 5/8 | 129320 | F2B-GTAH-010 | | | 129903 | AN-GT-03-010 |
| | 17mm | @ | F2B-GTAH-17M | | | 129942 | AN-GT-03-17M |
| 204 | 3/4 | @ | F2B-GTAH-012 | @ | F2B-GTAH-04 | 129904 | AN-GT-04-012 |
| | 20mm | @ | F2B-GTAH-20M | | | 129943 | AN-GT-04-20M |
| 205 | 7/8 | @ | F2B-GTAH-014 | @ | F2B-GTAH-05 | 129905 | AN-GT-05-014 |
| | 15/16 | @ | F2B-GTAH-015 | | | 129906 | AN-GT-05-015 |
| | 1 | @ | F2B-GTAH-100 | | | 129907 | AN-GT-05-100 |
| | 25mm | @ | F2B-GTAH-25M | | | 129944 | AN-GT-05-25M |
| 206 | 1-1/8 | @ | F2B-GTAH-102 | 064079 | F2B-GTAH-06 | 129908 | AN-GT-06-102 |
| | 1-3/16 | @ | F2B-GTAH-103 | | | 129909 | AN-GT-06-103 |
| | 1-1/4 | @ | F2B-GTAH-104S | | | 129910 | AN-GT-06-104S |
| | 30mm | @ | F2B-GTAH-30M | | | 129945 | AN-GT-06-30M |
| 207 | 1-1/4 | @ | F2B-GTAH-104 | 129500 | F2B-GTAH-07 | 129911 | AN-GT-07-104 |
| | 1-3/8 | @ | F2B-GTAH-106 | | | 129912 | AN-GT-07-106 |
| | 1-7/16 | @ | F2B-GTAH-107 | | | 129913 | AN-GT-07-107 |
| | 35mm | @ | F2B-GTAH-35M | | | 129946 | AN-GT-07-35M |

@ Assembled to order.

| | | | |
|--------------------------------|--|------------------------|--------------------------------|
| FEATURES/BENEFITS PAGE B2-2 | HOW TO ORDER/NOMENCLATURE PAGE B2-4 | SELECTION PAGE B2-5 | RELATED PRODUCTS PAGE B2-96 |
|--------------------------------|--|------------------------|--------------------------------|

SELECTION/DIMENSIONS



GRIP TIGHT Adapter Ball Bearings GTAH AIR HANDLING NORMAL DUTY 2 BOLT FLANGE BEARINGS

Bearing Quick Reference

E-Z KLEEN

GRIP TIGHT Adapter Ball Bearing

Set Screw Ball Bearing

Eccentric Collar Ball Bearing

| Series | Shaft Size | Weight lbs kg | A | B | C# | D | F Bolt Dia. | H | J | L | M | N | Z |
|--------|-------------|---------------------|---------|---------|---------|---------|-------------------|------|-------|---------|-------|---------|---------|
| 203 | 1/2 | 0.9 | 1-19/64 | 3-7/8 | 1-27/64 | 3 | 3/8 | 3/8 | 39/64 | 1-13/32 | 2-1/8 | 1-1/8 | 1-29/64 |
| | 5/8 17mm | 0.8 0.3 | 32.9 | 98.4 | 36.1 | 76.2 | M10 | 9.5 | 15.5 | 35.7 | 54.0 | 28.6 | 36.9 |
| 204 | 3/4 | 1.7 | 1-15/32 | 4-13/32 | 1-39/64 | 3-17/32 | 3/8 | 1/2 | 11/16 | 1-1/2 | 2-3/8 | 1-1/2 | 1-43/64 |
| | 20mm | 0.6 | 37.3 | 111.9 | 40.9 | 89.7 | M10 | 12.7 | 17.5 | 38.1 | 60.3 | 38.1 | 42.5 |
| 205 | 7/8 | 2.0 | 1-29/64 | 4-7/8 | 1-35/64 | 3-57/64 | 7/16 | 1/2 | 21/32 | 1-51/64 | 2-3/4 | 1-7/16 | 1-39/64 |
| | 15/16 | 1.9 | | | | | | | | | | | |
| | 1 25mm | 1.8 0.8 | 36.9 | 123.8 | 39.3 | 98.8 | M10 | 12.7 | 42.1 | 45.6 | 69.9 | 36.5 | 40.9 |
| 206 | 1-1/8 | 2.8 | 1-39/64 | 5-9/16 | 1-45/64 | 4-19/32 | 7/16 | 1/2 | 11/16 | 2-5/64 | 3-1/8 | 1-9/16 | 1-3/4 |
| | 1-3/16 | 2.7 | | | | | | | | | | | |
| | 1-1/4 | 2.5 | | | | | | | | | | | |
| | 30mm | 1.3 | 40.9 | 141.3 | 43.3 | 116.7 | M10 | 12.7 | 17.5 | 52.8 | 79.4 | 39.7 | 44.5 |
| 207 | 1-1/4 | 4.3 | 1-5/8 | 6-1/8 | 1-25/32 | 5-1/8 | 1/2 | 9/16 | 41/64 | 2-3/8 | 3-3/4 | 1-27/32 | 1-55/64 |
| | 1-3/8 | 4.1 | | | | | | | | | | | |
| | 1-7/16 | 3.9 | | | | | | | | | | | |
| | 35mm | 1.9 | 41.3 | 155.6 | 45.2 | 130.2 | M12 | 14.3 | 16.3 | 60.3 | 95.3 | 46.8 | 47.2 |

#C dimension will vary slightly depending on true shaft diameter.

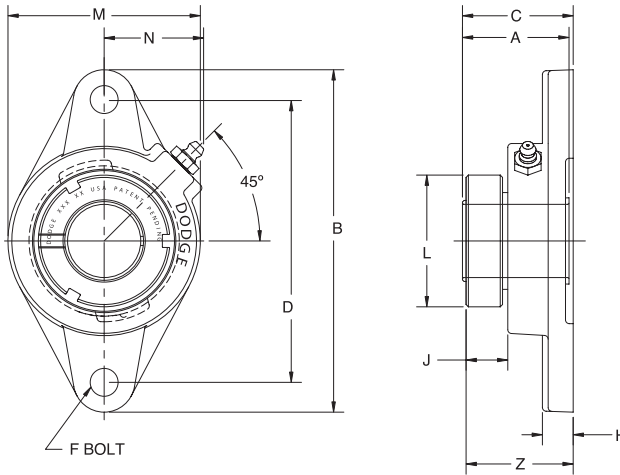
| | | | |
|--------------------------------|--|------------------------|--------------------------------|
| FEATURES/BENEFITS PAGE B2-2 | HOW TO ORDER/NOMENCLATURE PAGE B2-4 | SELECTION PAGE B2-5 | RELATED PRODUCTS PAGE B2-96 |
|--------------------------------|--|------------------------|--------------------------------|

SELECTION/DIMENSIONS



GRIP TIGHT Adapter Ball Bearings GTAH AIR HANDLING NORMAL DUTY 2 BOLT FLANGE BEARINGS

Lube Fitting Thread Size -
203 Series - 1/4 - 28 Tapered Thread
204 Series and Larger - 1/8 - 27 NPT



| Series | Shaft Size | Complete Unit | | Unit without Adapter Sleeve & Lock Nut | | Adapter Sleeve & Lock Nut Assembly | |
|--------|------------|---------------|---------------------|--|-------------|------------------------------------|---------------------|
| | | Part No. | Description | Part No. | Description | Part No. | Description |
| 208 | 1-1/2 | @ | F2B-GTAH-108 | @ | F2B-GTAH-08 | 129914 | AN-GT-08-108 |
| | 1-5/8 | @ | F2B-GTAH-110 | | | 129955 | AN-GT-08-110 |
| | 40mm | @ | <i>F2B-GTAH-40M</i> | | | 129947 | <i>AN-GT-08-40M</i> |
| 209 | 1-5/8 | @ | F2B-GTAH-110L | @ | F2B-GTAH-09 | 129915 | AN-GT-09-110L |
| | 1-11/16 | @ | F2B-GTAH-111 | | | 129916 | AN-GT-09-111 |
| | 1-3/4 | @ | F2B-GTAH-112 | | | 129917 | AN-GT-09-112 |
| 210 | 45mm | @ | <i>F2B-GTAH-45M</i> | @ | F2B-GTAH-10 | 129948 | <i>AN-GT-09-45M</i> |
| | 1-15/16 | @ | F2B-GTAH-115 | | | 129918 | AN-GT-10-115 |
| | 2 | @ | F2B-GTAH-200 | | | 129919 | AN-GT-10-200 |
| 211 | 50mm | @ | <i>F2B-GTAH-50M</i> | @ | F2B-GTAH-11 | 129949 | <i>AN-GT-10-50M</i> |
| | 2 | @ | F2B-GTMAH-200 | | | 129932 | AN-GTM-11-200 |
| | 2-3/16 | @ | F2B-GTAH-203 | | | 129920 | AN-GT-11-203 |
| 212 | 2-1/4 | @ | F2B-GTAH-204 | @ | F2B-GTAH-12 | 129956 | AN-GT-11-204 |
| | 55mm | @ | <i>F2B-GTAH-55M</i> | | | 129950 | <i>AN-GT-11-55M</i> |
| | 2-7/16 | @ | F2B-GTMAH-204 | | | 129934 | AN-GTM-12-204 |
| 212 | 60mm | @ | F2B-GTAH-207 | @ | F2B-GTAH-12 | 129921 | AN-GT-12-207 |
| | | @ | <i>F2B-GTAH-60M</i> | | | 129951 | <i>AN-GT-12-60M</i> |

@ Assembled to order.

| | | | |
|--------------------------------|--|------------------------|--------------------------------|
| FEATURES/BENEFITS PAGE B2-2 | HOW TO ORDER/NOMENCLATURE PAGE B2-4 | SELECTION PAGE B2-5 | RELATED PRODUCTS PAGE B2-96 |
|--------------------------------|--|------------------------|--------------------------------|

SELECTION/DIMENSIONS



GRIP TIGHT Adapter Ball Bearings GTAH AIR HANDLING NORMAL DUTY 2 BOLT FLANGE BEARINGS

Bearing Quick Reference

E-Z KLEEN

GRIP TIGHT Adapter Ball Bearing

Set Screw Ball Bearing

Eccentric Collar Ball Bearing

| Series | Shaft Size | Weight lbs kg | A | B | C# | D | F Bolt Dia. | H | J | L | M | N | Z |
|--------|------------|---------------------|---------|---------|---------|---------|-------------------|-------|-------|---------|--------|---------|--------|
| 208 | 1-1/2 | 5.0 | 1-27/32 | 6-3/4 | 1-31/32 | 5-21/32 | 1/2 | 9/16 | 43/64 | 2-5/8 | 4-1/8 | 1-53/64 | 2-7/32 |
| | 1-5/8 | 4.8 | | | | | | | | | | | |
| | 40mm | 2.3 | 46.8 | 171.5 | 50.0 | 143.7 | M12 | 14.3 | 17.1 | 66.7 | 104.8 | 46.4 | 56.4 |
| 209 | 1-5/8 | 6.2 | 1-55/64 | 7-1/16 | 2 | 5-27/32 | 1/2 | 5/8 | 11/16 | 2-55/64 | 4-3/8 | 1-29/32 | 2-3/32 |
| | 1-11/16 | 6.1 | | | | | | | | | | | |
| | 45mm | 2.7 | 47.2 | 179.4 | 50.8 | 148.4 | M12 | 15.9 | 17.5 | 72.6 | 111.1 | 48.4 | 53.2 |
| 210 | 1-15/16 | 6.9 | 1-55/64 | 7-7/16 | 2-3/64 | 6-3/16 | 1/2 | 5/8 | 21/32 | 3-1/8 | 4-9/16 | 2-1/32 | 2-1/8 |
| | 2 | 6.8 | | | | | | | | | | | |
| | 50mm | 3.2 | 47.2 | 188.9 | 52.0 | 157.2 | M12 | 15.9 | 16.7 | 79.4 | 115.9 | 51.6 | 54.0 |
| 211 | 2 | 8.0 | 1-59/64 | 8-5/8 | 2-5/32 | 7-1/4 | 5/8 | 11/16 | 11/16 | 3-27/64 | 5-1/4 | 2-17/64 | 2-9/32 |
| | 2-3/16 | 7.9 | | | | | | | | | | | |
| | 55mm | 3.7 | 48.8 | 219.1 | 54.8 | 184.2 | M16 | 17.5 | 17.5 | 86.9 | 133.4 | 57.5 | 57.9 |
| 212 | 2-1/4 | 9.3 | 2-7/64 | 9-13/16 | 2-5/16 | 7-61/64 | 7/8 | 13/16 | 23/32 | 3-11/16 | 5-1/2 | 2-15/32 | 2-7/16 |
| | 2-7/16 | 9.2 | | | | | | | | | | | |
| | 60mm | 4.5 | 53.6 | 249.2 | 58.7 | 202.0 | M22 | 20.6 | 18.3 | 93.7 | 139.7 | 62.7 | 61.9 |

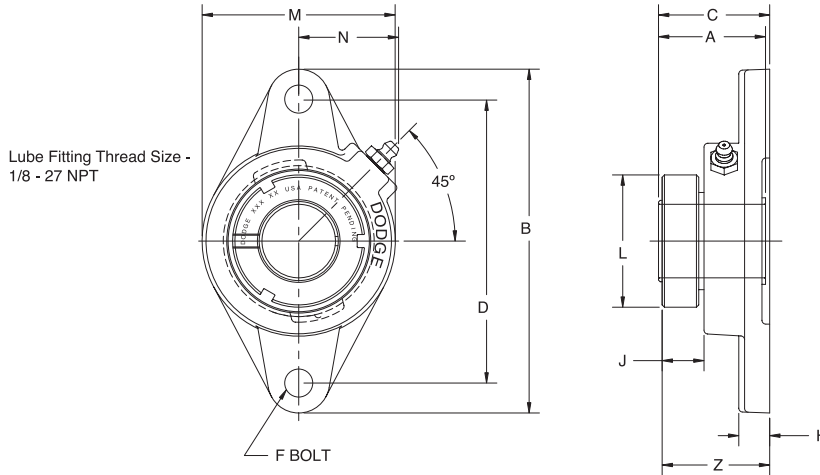
#C dimension will vary slightly depending on true shaft diameter.

| | | | |
|--------------------------------|--|------------------------|--------------------------------|
| FEATURES/BENEFITS PAGE B2-2 | HOW TO ORDER/NOMENCLATURE PAGE B2-4 | SELECTION PAGE B2-5 | RELATED PRODUCTS PAGE B2-96 |
|--------------------------------|--|------------------------|--------------------------------|

SELECTION/DIMENSIONS



GRIP TIGHT Adapter Ball Bearings GTM MEDIUM DUTY 2 BOLT FLANGE BEARINGS



| Series | Shaft Size | Complete Unit | | Unit without Adapter Sleeve & Lock Nut | | Adapter Sleeve & Lock Nut Assembly | |
|--------|--------------------------|---------------|--------------|--|-------------|------------------------------------|---------------|
| | | Part No. | Description | Part No. | Description | Part No. | Description |
| 205 | 3/4 | 129369 | F2B-GTM-012 | 129492 | F2B-GT-05 | 129924 | AN-GTM-05-012 |
| 206 | 1 25mm | 129330 | F2B-GTM-100 | 129493 | F2B-GT-06 | 129925 | AN-GTM-06-100 |
| | | 136268 | F2B-GTM-25M | | | 129957 | AN-GTM-06-25M |
| 207 | 1-3/16 1-1/4 30mm | 129331 | F2B-GTM-103 | 129494 | F2B-GT-07 | 129926 | AN-GTM-07-103 |
| | | 129310 | F2B-GT-104 | | | 129911 | AN-GT-07-104 |
| | | 136269 | F2B-GTM-30M | | | 129954 | AN-GTM-07-30M |
| 208 | 1-7/16 35mm | 129332 | F2B-GTM-107 | 129495 | F2B-GT-08 | 129927 | AN-GTM-08-107 |
| | | 136270 | F2B-GTM-35M | | | 129958 | AN-GTM-08-35M |
| 209 | 1-1/2 1-5/8 40mm | 129333 | F2B-GTM-108 | 129496 | F2B-GT-09 | 129928 | AN-GTM-09-108 |
| | | 129314 | F2B-GT-110L | | | 129959 | AN-GTM-09-40M |
| | | 136271 | F2B-GTM-40M | | | | |
| 210 | 1-11/16 1-3/4 45mm | 129334 | F2B-GTM-111 | 129497 | F2B-GT-10 | 129929 | AN-GTM-10-111 |
| | | 129335 | F2B-GTM-112 | | | 129930 | AN-GTM-10-112 |
| | | 136272 | F2B-GTM-405M | | | 129960 | AN-GTM-10-45M |
| 211 | 1-15/16 2 50mm | 129336 | F2B-GTM-115 | 129498 | F2B-GT-11 | 129931 | AN-GTM-11-115 |
| | | 129337 | F2B-GTM-200 | | | 129932 | AN-GTM-11-200 |
| | | 136273 | F2B-GTM-50M | | | 129961 | AN-GTM-11-50M |
| 212 | 2-3/16 2-1/4 55mm | @ | F2B-GTM-203 | 129078 | F2B-GT-12 | 129933 | AN-GTM-12-203 |
| | | 064472 | F2B-GTM-204 | | | 129934 | AN-GTM-12-204 |
| | | 136274 | F2B-GTM-55M | | | 129962 | AN-GTM-12-55M |

@ Assembled to order.

| | | | |
|--------------------------------|--|------------------------|--------------------------------|
| FEATURES/BENEFITS PAGE B2-2 | HOW TO ORDER/NOMENCLATURE PAGE B2-4 | SELECTION PAGE B2-5 | RELATED PRODUCTS PAGE B2-96 |
|--------------------------------|--|------------------------|--------------------------------|

SELECTION/DIMENSIONS



GRIP TIGHT Adapter Ball Bearings GTM MEDIUM DUTY 2 BOLT FLANGE BEARINGS

| Series | Shaft Size | Weight lbs kg | A | B | C# | D | F Bolt Dia. | H | J | L | M | N | Z |
|--------|------------|---------------------|---------|---------|---------|---------|-------------------|-------|-------|---------|--------|---------|---------|
| 205 | 3/4 | 2.1 | 1-29/64 | 4-7/8 | 1-35/64 | 3-57/64 | 7/16 | 1/2 | 19/32 | 1-51/64 | 2-3/4 | 1-7/16 | 1-39/64 |
| 206 | 1 | 2.9 | 1-39/64 | 5-9/16 | 1-45/64 | 4-19/32 | 7/16 | 1/2 | 19/32 | 2-5/64 | 3-1/8 | 1-9/16 | 1-3/4 |
| | 25mm | 1.4 | 40.9 | 141.3 | 43.3 | 116.7 | M12 | 12.7 | 15.1 | 52.8 | 79.4 | 39.7 | 44.5 |
| 207 | 1-3/16 | 4.4 | 1-5/8 | 6-1/8 | 1-25/32 | 5-1/8 | 1/2 | 9/16 | 35/64 | 2-3/8 | 3-3/4 | 1-27/32 | 1-55/64 |
| | 1-1/4 | 4.3 | | | | | | | | | | | |
| | 30mm | 2.1 | 41.3 | 155.6 | 45.2 | 130.2 | M12 | 14.3 | 13.9 | 60.3 | 95.3 | 46.8 | 47.2 |
| 208 | 1-7/16 | 5.1 | 1-27/32 | 6-3/4 | 1-31/32 | 5-21/32 | 1/2 | 9/16 | 37/64 | 2-5/8 | 4-1/8 | 1-53/64 | 2-7/32 |
| | 35mm | 2.5 | 46.8 | 171.5 | 50.0 | 143.7 | M12 | 14.3 | 14.7 | 66.7 | 104.8 | 46.4 | 56.4 |
| 209 | 1-1/2 | 6.3 | 1-55/64 | 7-1/16 | 2 | 5-27/32 | 1/2 | 5/8 | 9/16 | 2-55/64 | 4-3/8 | 1-29/32 | 2-3/32 |
| | 1-5/8 | 6.2 | | | | | | | | | | | |
| | 40mm | 3.1 | 47.2 | 179.4 | 50.8 | 148.4 | M12 | 15.9 | 14.3 | 72.6 | 111.1 | 48.4 | 53.2 |
| 210 | 1-11/16 | 7.0 | 1-55/64 | 7-7/16 | 2-3/64 | 6-3/16 | 1/2 | 5/8 | 17/32 | 3-1/8 | 4-9/16 | 2-1/32 | 2-1/8 |
| | 1-3/4 | 6.9 | | | | | | | | | | | |
| | 45mm | 3.4 | 47.2 | 188.9 | 52.0 | 157.2 | M12 | 15.9 | 13.5 | 79.4 | 115.9 | 51.6 | 54.0 |
| 211 | 1-15/16 | 8.1 | 1-59/64 | 8-5/8 | 2-5/32 | 7-1/4 | 5/8 | 11/16 | 17/32 | 3-27/64 | 5-1/4 | 2-17/64 | 2-9/32 |
| | 2 | 8.0 | | | | | | | | | | | |
| | 50mm | 3.9 | 48.8 | 219.1 | 54.8 | 184.2 | M16 | 17.5 | 13.5 | 86.9 | 133.4 | 57.5 | 57.9 |
| 212 | 2-3/16 | 9.4 | 2-7/64 | 9-13/16 | 2-5/16 | 7-61/64 | 7/8 | 13/16 | 9/16 | 3-11/16 | 5-1/2 | 2-15/32 | 2-7/16 |
| | 2-1/4 | 9.3 | | | | | | | | | | | |
| | 55mm | 4.6 | 53.6 | 249.2 | 58.7 | 202.0 | M22 | 20.6 | 14.3 | 93.7 | 139.7 | 62.7 | 61.9 |

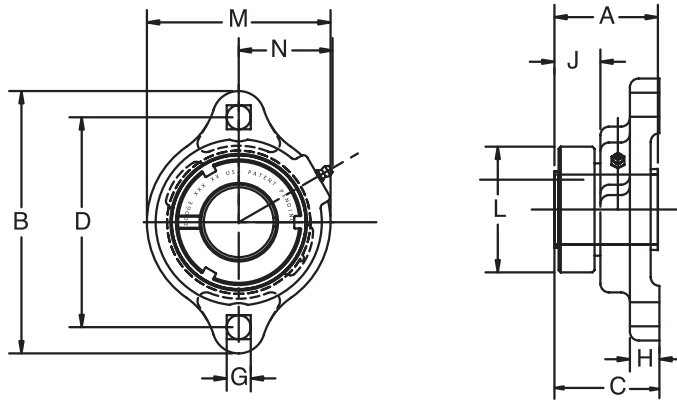
#C dimension will vary slightly depending on true shaft diameter.

| | | | |
|--------------------------------|--|------------------------|--------------------------------|
| FEATURES/BENEFITS PAGE B2-2 | HOW TO ORDER/NOMENCLATURE PAGE B2-4 | SELECTION PAGE B2-5 | RELATED PRODUCTS PAGE B2-96 |
|--------------------------------|--|------------------------|--------------------------------|

SELECTION/DIMENSIONS



GRIP TIGHT Adapter Ball Bearings GT LFT NORMAL DUTY 2 BOLT FLANGE BEARINGS



Lube fitting thread size -
203 - 204 Series - 1/4-28 tapered thread
205 - 207 Series - 1/8 - 27 NPT

| Series | Shaft Size | Complete Unit | | Unit without Adapter & Nut | | Adapter & Nut Assembly | |
|--------|------------|---------------|-------------|----------------------------|-------------|------------------------|---------------|
| | | Part No. | Description | Part No. | Description | Part No. | Description |
| 203 | 1/2 | 136331 | LFT-GT-008 | 136355 | LFT-GT-03 | 129902 | AN-GT-03-008 |
| | 5/8 | 136332 | LFT-GT-010 | | | 129903 | AN-GT-03-010 |
| | 17mm | @ | LFT-GT-17M | | | 129942 | AN-GT-03-17M |
| 204 | 3/4 | 136333 | LFT-GT-012 | 136356 | LFT-GT-04 | 129904 | AN-GT-04-012 |
| | 20mm | 068878 | LFT-GT-20M | | | 129943 | AN-GT-04-20M |
| 205 | 7/8 | 136334 | LFT-GT-014 | 136357 | LFT-GT-05 | 129905 | AN-GT-05-014 |
| | 15/16 | 136335 | LFT-GT-015 | | | 129906 | AN-GT-05-015 |
| | 1 | 136336 | LFT-GT-100 | | | 129907 | AN-GT-05-100 |
| | 25mm | 068685 | LFT-GT-25M | | | 129944 | AN-GT-05-25M |
| 206 | 1-1/8 | 136337 | LFT-GT-102 | 136358 | LFT-GT-06 | 129908 | AN-GT-06-102 |
| | 1-3/16 | 136338 | LFT-GT-103 | | | 129909 | AN-GT-06-103 |
| | 1-1/4 | 136339 | LFT-GT-104S | | | 129910 | AN-GT-06-104S |
| | 30mm | @ | LFT-GT-30M | | | 129945 | AN-GT-06-30M |
| 207 | 1-1/4 | 136340 | LFT-GT-104 | 136359 | LFT-GT-07 | 129911 | AN-GT-07-104 |
| | 1-3/8 | 136341 | LFT-GT-106 | | | 129912 | AN-GT-07-106 |
| | 1-7/16 | 136342 | LFT-GT-107 | | | 129913 | AN-GT-07-107 |
| | 35mm | @ | LFT-GT-35M | | | 129946 | AN-GT-07-35M |

@ Assembled to order.

| | | | |
|--------------------------------|--|------------------------|--------------------------------|
| FEATURES/BENEFITS PAGE B2-2 | HOW TO ORDER/NOMENCLATURE PAGE B2-4 | SELECTION PAGE B2-5 | RELATED PRODUCTS PAGE B2-96 |
|--------------------------------|--|------------------------|--------------------------------|

SELECTION/DIMENSIONS



GRIP TIGHT Adapter Ball Bearings GT LFT NORMAL DUTY 2 BOLT FLANGE BEARINGS

Bearing Quick Reference

E-Z KLEEN

GRIP TIGHT Adapter Ball Bearing

Set Screw Ball Bearing

Eccentric Collar Ball Bearing

| Series | Shaft Size | Weight lbs kg | A | B | C# | D | G | H | J | L | M | N* |
|--------|-------------|---------------------|---------|---------|---------|---------|-------|-------|-------|---------|-------|---------|
| 203 | 1/2 | 0.70 | 1-19/64 | 3-3/16 | 1-19/64 | 2-1/2 | 9/32 | 3/8 | 39/64 | 1-13/32 | 2-1/8 | 1-15/64 |
| | 5/8 17mm | 0.65 0.31 | 32.9 | 81.0 | 32.9 | 63.5 | 7.5 | 9.5 | 15.5 | 35.7 | 54.0 | 31.4 |
| 204 | 3/4 | 0.91 | 1-15/32 | 3-9/16 | 1-15/32 | 2-13/16 | 11/32 | 27/64 | 5/8 | 1-1/2 | 2-3/8 | 1-11/32 |
| | 20mm | 0.40 | 37.6 | 90.5 | 37.3 | 71.4 | 8.7 | 10.7 | 15.9 | 38.1 | 60.3 | 34.1 |
| 205 | 7/8 | 1.07 | 1-29/64 | 3-3/4 | 1-7/16 | 3 | 11/32 | 27/64 | 19/32 | 1-51/64 | 2-5/8 | 1-7/16 |
| | 15/16 | 1.02 | | | | | | | | | | |
| | 1 25mm | 0.97 0.43 | 36.9 | 95.3 | 36.5 | 76.2 | 8.7 | 30.2 | 15.1 | 45.6 | 66.7 | 36.5 |
| 206 | 1-1/8 | 1.63 | 1-39/64 | 4-7/16 | 1-5/8 | 3-9/16 | 13/32 | 15/32 | 19/32 | 2-5/64 | 3-1/4 | 1-23/32 |
| | 1-3/16 | 1.53 | | | | | | | | | | |
| | 1-1/4 | 1.48 | | | | | | | | | | |
| | 30mm | 0.67 | 40.9 | 112.7 | 41.3 | 90.5 | 10.3 | 11.9 | 15.1 | 52.8 | 82.6 | 43.7 |
| 207 | 1-1/4 | 1.99 | 1-5/8 | 4-13/16 | 1-36/64 | 3-15/16 | 13/32 | 1/2 | 35/64 | 2-3/8 | 3-1/2 | 1-53/64 |
| | 1-3/8 | 1.89 | | | | | | | | | | |
| | 1-7/16 | 1.84 | | | | | | | | | | |
| | 35mm | 0.83 | 41.3 | 122.2 | 40.9 | 100.0 | 10.3 | 12.7 | 13.9 | 60.3 | 88.9 | 46.4 |

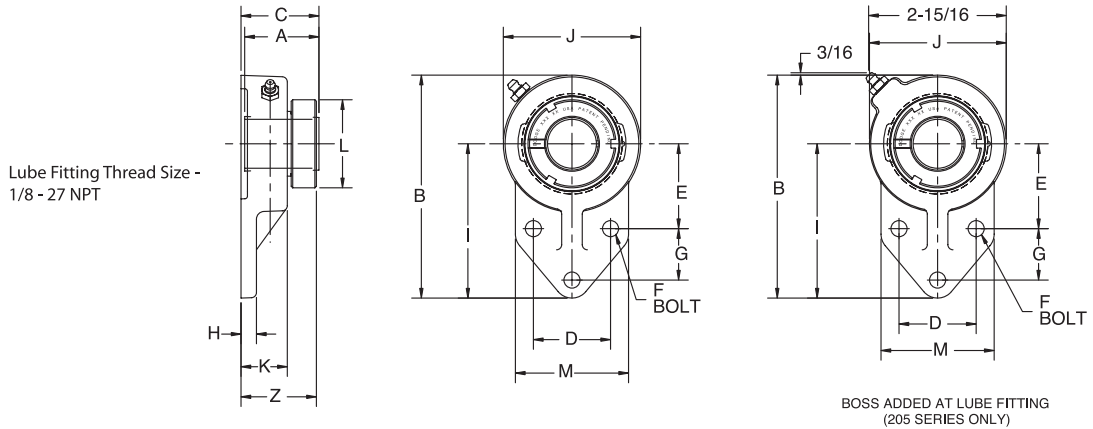
#C dimension will vary slightly depending on true shaft diameter

| | | | |
|--------------------------------|--|------------------------|--------------------------------|
| FEATURES/BENEFITS PAGE B2-2 | HOW TO ORDER/NOMENCLATURE PAGE B2-4 | SELECTION PAGE B2-5 | RELATED PRODUCTS PAGE B2-96 |
|--------------------------------|--|------------------------|--------------------------------|

SELECTION/DIMENSIONS



GRIP TIGHT Adapter Ball Bearings GT NORMAL DUTY FLANGED BRACKETED BEARINGS



| Series | Shaft Size | Complete Unit | | Unit without Adapter Sleeve & Lock Nut | | Adapter Sleeve & Lock Nut Assembly | |
|--------|------------|---------------|-------------|--|-------------|------------------------------------|---------------|
| | | Part No. | Description | Part No. | Description | Part No. | Description |
| 204 | 3/4 | 129615 | FB-GT-012 | 129511 | FB-GT-04 | 129904 | AN-GT-04-012 |
| 205 | 7/8 | 129616 | FB-GT-014 | 129512 | FB-GT-05 | 129905 | AN-GT-05-014 |
| | 15/16 | 129617 | FB-GT-015 | | | 129906 | AN-GT-05-015 |
| | 1 | 129618 | FB-GT-100 | | | 129907 | AN-GT-05-100 |
| 206 | 1-1/8 | 129619 | FB-GT-102 | 129513 | FB-GT-06 | 129908 | AN-GT-06-102 |
| | 1-3/16 | 129620 | FB-GT-103 | | | 129909 | AN-GT-06-103 |
| | 1-1/4 | 129621 | FB-GT-104S | | | 129910 | AN-GT-06-104S |
| 207 | 1-1/4 | 129622 | FB-GT-104 | 129514 | FB-GT-07 | 129911 | AN-GT-07-104 |
| | 1-3/8 | 129623 | FB-GT-106 | | | 129912 | AN-GT-07-106 |
| | 1-7/16 | 129624 | FB-GT-107 | | | 129913 | AN-GT-07-107 |
| 210 | 1-15/16 | 129625 | FB-GT-115 | 129515 | FB-GT-10 | 129918 | AN-GT-10-115 |
| | 2 | 129626 | FB-GT-200 | | | 129919 | AN-GT-10-200 |

| | | | |
|--------------------------------|--|------------------------|--------------------------------|
| FEATURES/BENEFITS PAGE B2-2 | HOW TO ORDER/NOMENCLATURE PAGE B2-4 | SELECTION PAGE B2-5 | RELATED PRODUCTS PAGE B2-96 |
|--------------------------------|--|------------------------|--------------------------------|

SELECTION/DIMENSIONS



GRIP TIGHT Adapter Ball Bearings GT NORMAL DUTY FLANGED BRACKETED BEARINGS

| Series | Shaft Size | Weight lbs | A | B | C# | D | E | F Bolt Dia. | G | H | I | J | K | L | M | Z |
|--------|------------|------------|---------|-------|---------|-------|---------|-------------|-------|------|--------|-------|--------|---------|-------|---------|
| 204 | 3/4 | 1.3 | 1-15/32 | 4-1/4 | 1-19/32 | 1-1/2 | 1-11/16 | 3/8 | 7/8 | 5/16 | 3 | 2-1/2 | 63/64 | 1-1/2 | 2-3/8 | 1-21/2 |
| 205 | 7/8 | 2.3 | 1-29/64 | 4-3/4 | 1-11/16 | 1-5/8 | 1-13/16 | 3/8 | 1-1/8 | 3/8 | 3-3/8 | 2-3/4 | 1-7/64 | 1-51/64 | 2-1/2 | 1-3/4 |
| | 15/16 | | | | | | | | | | | | | | | |
| 206 | 1-1/8 | 3.2 | 1-39/64 | 5-3/8 | 1-25/32 | 1-7/8 | 2-1/16 | 3/8 | 1-1/4 | 3/8 | 3-3/4 | 3-1/4 | 1-1/8 | 2-5/64 | 2-3/4 | 1-53/64 |
| | 1-3/16 | 3.2 | | | | | | | | | | | | | | |
| | 1-1/4 | 3.1 | | | | | | | | | | | | | | |
| 207 | 1-1/4 | 3.4 | 1-5/8 | 6-1/8 | 1-57/64 | 2 | 2-3/8 | 1/2 | 1-1/4 | 1/2 | 4-1/4 | 3-3/4 | 1-5/16 | 2-3/8 | 3-1/4 | 1-31/32 |
| | 1-3/8 | 3.4 | | | | | | | | | | | | | | |
| | 1-7/16 | 3.4 | | | | | | | | | | | | | | |
| 210 | 1-15/16 | 5.7 | 1-55/64 | 7-1/2 | 2-5/64 | 2-3/4 | 2-15/16 | 1/2 | 1-5/8 | 1/2 | 5-3/16 | 4-5/8 | 1-1/2 | 3-1/8 | 4 | 2-5/32 |
| | 2 | 5.6 | | | | | | | | | | | | | | |

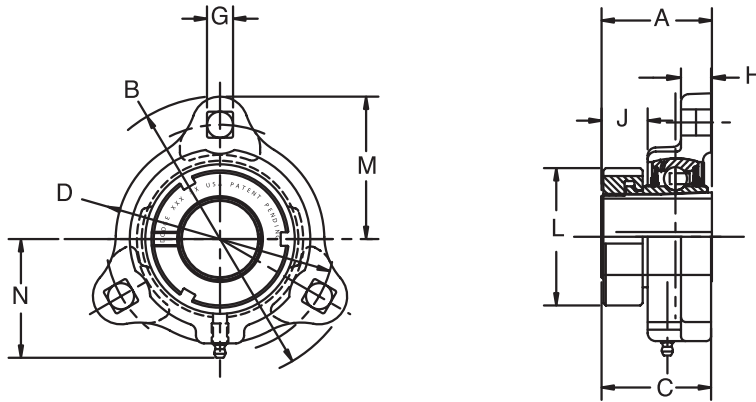
#C dimension will vary slightly depending on true shaft diameter.

| | | | |
|--------------------------------|--|------------------------|--------------------------------|
| FEATURES/BENEFITS PAGE B2-2 | HOW TO ORDER/NOMENCLATURE PAGE B2-4 | SELECTION PAGE B2-5 | RELATED PRODUCTS PAGE B2-96 |
|--------------------------------|--|------------------------|--------------------------------|

SELECTION/DIMENSIONS



GRIP TIGHT Adapter Ball Bearings GT LF NORMAL DUTY 3 BOLT FLANGE BEARINGS



Lube fitting thread size -
203 - 204 Series - 1/4-28 tapered thread
205 - 207 Series - 1/8 - 27 NPT

| Series | Shaft Size | Complete Unit | | Unit without Adapter Sleeve & Lock Nut | | Adapter Sleeve & Lock Nut Assembly | |
|--------|------------|---------------|-------------|--|-------------|------------------------------------|---------------|
| | | Part No. | Description | Part No. | Description | Part No. | Description |
| 203 | 1/2 | 136343 | LF-GT-008 | 136360 | LF-GT-03 | 129902 | AN-GT-03-008 |
| | 5/8 | 136344 | LF-GT-010 | | | 129903 | AN-GT-03-010 |
| | 17mm | @ | LF-GT-17M | | | 129942 | AN-GT-03-17M |
| 204 | 3/4 | 136345 | LF-GT-012 | 136361 | LF-GT-04 | 129904 | AN-GT-04-012 |
| | 20mm | @ | LF-GT-20M | | | 129943 | AN-GT-04-20M |
| 205 | 7/8 | 136346 | LF-GT-014 | 136362 | LF-GT-05 | 129905 | AN-GT-05-014 |
| | 15/16 | 136347 | LF-GT-015 | | | 129906 | AN-GT-05-015 |
| | 1 | 136348 | LF-GT-100 | | | 129907 | AN-GT-05-100 |
| | 25mm | @ | LF-GT-25M | | | 129944 | AN-GT-05-25M |
| 206 | 1-1/8 | 136349 | LF-GT-102 | 136363 | LF-GT-06 | 129908 | AN-GT-06-102 |
| | 1-3/16 | 136350 | LF-GT-103 | | | 129909 | AN-GT-06-103 |
| | 1-1/4 | 136351 | LF-GT-104S | | | 129910 | AN-GT-06-104S |
| | 30mm | @ | LF-GT-30M | | | 129945 | AN-GT-06-30M |
| 207 | 1-1/4 | 136352 | LF-GT-104 | 136364 | LF-GT-07 | 129911 | AN-GT-07-104 |
| | 1-3/8 | 136353 | LF-GT-106 | | | 129912 | AN-GT-07-106 |
| | 1-7/16 | 136354 | LF-GT-107 | | | 129913 | AN-GT-07-107 |
| | 35mm | @ | LF-GT-35M | | | 129946 | AN-GT-07-35M |

| | | | |
|--------------------------------|--|------------------------|--------------------------------|
| FEATURES/BENEFITS PAGE B2-2 | HOW TO ORDER/NOMENCLATURE PAGE B2-4 | SELECTION PAGE B2-5 | RELATED PRODUCTS PAGE B2-96 |
|--------------------------------|--|------------------------|--------------------------------|

SELECTION/DIMENSIONS



GRIP TIGHT Adapter Ball Bearings GT LF NORMAL DUTY 3 BOLT FLANGE BEARINGS

Bearing Quick Reference

E-Z KLEEN

GRIP TIGHT Adapter Ball Bearing

Set Screw Ball Bearing

Eccentric Collar Ball Bearing

| Series | Shaft Size | Weight lbs kg | A | B | C# | D | G | H | J | L | M | N* |
|--------|-------------|---------------------|---------|---------|---------|---------|-------|-------|-------|---------|---------|---------|
| 203 | 1/2 | 0.75 | 1-19/64 | 3-3/16 | 1-19/64 | 2-1/2 | 9/32 | 3/8 | 39/64 | 1-13/32 | 1-19/32 | 1-7/8 |
| | 5/8 17mm | 0.70 0.33 | 32.9 | 81.0 | 32.9 | 63.5 | 7.1 | 9.5 | 15.5 | 35.7 | 40.5 | 47.6 |
| 204 | 3/4 | 0.95 | 1-15/32 | 3-9/16 | 1-15/32 | 2-13/16 | 23/64 | 27/64 | 5/8 | 1-1/2 | 1-25/32 | 1-39/64 |
| | 20mm | 0.42 | 37.3 | 90.5 | 37.3 | 71.4 | 9.1 | 10.7 | 15.9 | 38.1 | 45.2 | 40.9 |
| 205 | 7/8 | 1.22 | 1-29/64 | 3-3/4 | 1-7/16 | 3 | 11/32 | 27/64 | 19/32 | 1-51/64 | 1-7/8 | 1-47/64 |
| | 15/16 | 1.17 | | | | | | | | | | |
| | 1 25mm | 1.12 0.52 | 36.9 | 95.3 | 36.5 | 76.2 | 8.7 | 10.7 | 15.1 | 45.6 | 47.6 | 44.1 |
| 206 | 1-1/8 | 1.78 | 1-39/64 | 4-7/16 | 1-5/8 | 3-9/16 | 13/32 | 15/32 | 19/32 | 2-5/64 | 2-7/32 | 2-3/64 |
| | 1-3/16 | 1.68 | | | | | | | | | | |
| | 1-1/4 | 1.63 | | | | | | | | | | |
| | 30mm | 0.74 | 40.9 | 112.7 | 41.3 | 90.5 | 10.3 | 11.9 | 15.1 | 52.8 | 56.4 | 52.0 |
| 207 | 1-1/4 | 2.24 | 1-5/8 | 4-13/16 | 1-39/64 | 3-15/16 | 13/32 | 1/2 | 35/64 | 2-3/8 | 2-13/32 | 2-11/64 |
| | 1-3/8 | 2.14 | | | | | | | | | | |
| | 1-7/16 | 2.09 | | | | | | | | | | |
| | 35mm | 0.95 | 41.3 | 122.2 | 40.9 | 100.0 | 10.3 | 12.7 | 13.9 | 60.3 | 61.1 | 55.2 |

C dimension will vary slightly depending on true shaft diameter

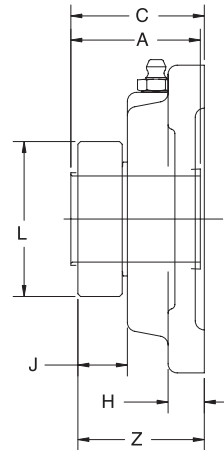
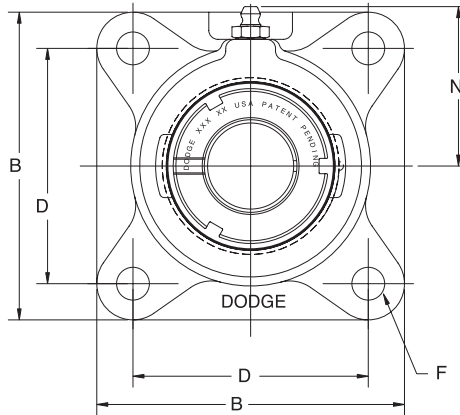
| | | | |
|--------------------------------|--|------------------------|--------------------------------|
| FEATURES/BENEFITS PAGE B2-2 | HOW TO ORDER/NOMENCLATURE PAGE B2-4 | SELECTION PAGE B2-5 | RELATED PRODUCTS PAGE B2-96 |
|--------------------------------|--|------------------------|--------------------------------|

SELECTION/DIMENSIONS



GRIP TIGHT Adapter Ball Bearings GT NORMAL DUTY 4 BOLT FLANGE BEARINGS

Lube Fitting Thread Size -
203 Series - 1/4-28 Tapered Thread
204 Series and Larger - 1/8-27 NPT



| Series | Shaft Size | Complete Unit | | Unit without Adapter Sleeve & Lock Nut | | Adapter Sleeve & Lock Nut Assembly | |
|--------|------------|---------------|-------------|--|-------------|------------------------------------|---------------|
| | | Part No. | Description | Part No. | Description | Part No. | Description |
| 203 | 1/2 | 129637 | F4B-GT-008 | 129464 | F4B-GT-03 | 129902 | AN-GT-03-008 |
| | 5/8 | 129638 | F4B-GT-010 | | | 129903 | AN-GT-03-010 |
| | 17mm | 129667 | F4B-GT-17M | | | 129942 | AN-GT-03-17M |
| 204 | 3/4 | 129639 | F4B-GT-012 | 129465 | F4B-GT-04 | 129904 | AN-GT-04-012 |
| | 20mm | 129668 | F4B-GT-20M | | | 129943 | AN-GT-04-20M |
| 205 | 7/8 | 129640 | F4B-GT-014 | 129466 | F4B-GT-05 | 129905 | AN-GT-05-014 |
| | 15/16 | 129641 | F4B-GT-015 | | | 129906 | AN-GT-05-015 |
| | 1 | 129642 | F4B-GT-100 | | | 129907 | AN-GT-05-100 |
| | 25mm | 129669 | F4B-GT-25M | | | 129944 | AN-GT-05-25M |
| 206 | 1-1/8 | 129643 | F4B-GT-102 | 129467 | F4B-GT-06 | 129908 | AN-GT-06-102 |
| | 1-3/16 | 129644 | F4B-GT-103 | | | 129909 | AN-GT-06-103 |
| | 1-1/4 | 129645 | F4B-GT-104S | | | 129910 | AN-GT-06-104S |
| | 30mm | 129670 | F4B-GT-30M | | | 129945 | AN-GT-06-30M |
| 207 | 1-1/4 | 129646 | F4B-GT-104 | 129468 | F4B-GT-07 | 129911 | AN-GT-07-104 |
| | 1-3/8 | 129647 | F4B-GT-106 | | | 129912 | AN-GT-07-106 |
| | 1-7/16 | 129648 | F4B-GT-107 | | | 129913 | AN-GT-07-107 |
| | 35mm | 129671 | F4B-GT-35M | | | 129946 | AN-GT-07-35M |

@Assembled to order

| | | | |
|--------------------------------|--|------------------------|--------------------------------|
| FEATURES/BENEFITS PAGE B2-2 | HOW TO ORDER/NOMENCLATURE PAGE B2-4 | SELECTION PAGE B2-5 | RELATED PRODUCTS PAGE B2-96 |
|--------------------------------|--|------------------------|--------------------------------|

SELECTION/DIMENSIONS



GRIP TIGHT Adapter Ball Bearings GT NORMAL DUTY 4 BOLT FLANGE BEARINGS

| Series | Shaft Size | Weight lbs kg | A | B | C# | D | F Bolt Dia. | H | J | L | N | Z |
|--------|-------------|---------------------|---------|-------|---------|-------|-------------------|------|-------|---------|---------|---------|
| 203 | 1/2 | 1.4 | 1-19/64 | 3 | 1-27/64 | 2-1/8 | 3/8 | 7/16 | 39/64 | 1-13/32 | 1-11/16 | 1-29/64 |
| | 5/8 17mm | 1.3 0.6 | 32.9 | 76.2 | 36.1 | 54.0 | M10 | 11.1 | 15.5 | 35.7 | 42.9 | 36.9 |
| 204 | 3/4 | 1.7 | 1-15/32 | 3-3/8 | 1-39/64 | 2-1/2 | 3/8 | 7/16 | 11/16 | 1-1/2 | 1-15/16 | 1-43/64 |
| | 20mm | 0.8 | 37.3 | 85.7 | 40.9 | 63.5 | M10 | 11.1 | 17.5 | 38.1 | 49.2 | 42.5 |
| 205 | 7/8 | 2.2 | 1-29/64 | 3-3/4 | 1-35/64 | 2-3/4 | 7/16 | 1/2 | 21/32 | 1-51/64 | 2-1/16 | 1-39/64 |
| | 15/16 | 2.2 | | | | | | | | | | |
| | 1 25mm | 2.2 1.0 | 36.9 | 95.3 | 39.3 | 69.9 | M10 | 12.7 | 16.7 | 45.6 | 52.4 | 40.9 |
| 206 | 1-1/8 | 3.8 | 1-39/64 | 4-1/4 | 1-45/64 | 3-1/4 | 7/16 | 1/2 | 11/16 | 2-5/64 | 2-3/16 | 1-3/4 |
| | 1-3/16 | 3.7 | | | | | | | | | | |
| | 1-1/4 | 3.7 | | | | | | | | | | |
| | 30mm | 1.7 | 40.9 | 108.0 | 43.3 | 82.6 | M10 | 12.7 | 17.5 | 52.8 | 55.6 | 44.5 |
| 207 | 1-1/4 | 4.4 | 1-5/8 | 4-3/4 | 1-49/64 | 3-5/8 | 1/2 | 9/16 | 41/64 | 2-3/8 | 2-7/16 | 1-55/64 |
| | 1-3/8 | 4.4 | | | | | | | | | | |
| | 1-7/16 | 4.3 | | | | | | | | | | |
| | 35mm | 2.0 | 41.3 | 120.7 | 44.8 | 92.1 | M12 | 14.3 | 16.3 | 60.3 | 61.9 | 47.2 |

#C dimension will vary slightly depending on true shaft diameter.

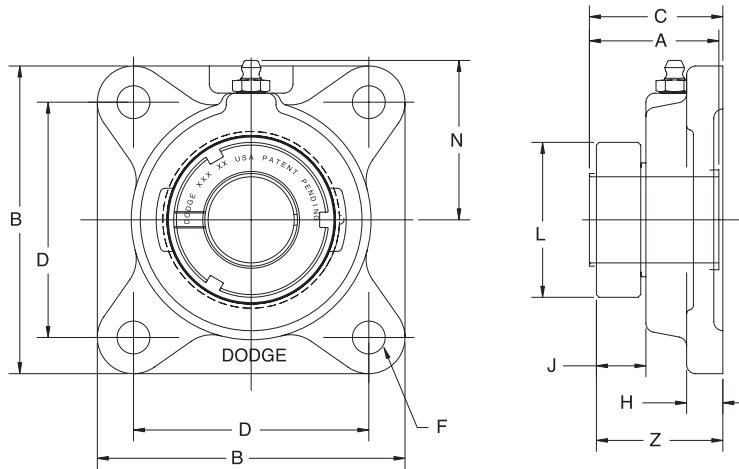
| | | | |
|--------------------------------|--|------------------------|--------------------------------|
| FEATURES/BENEFITS PAGE B2-2 | HOW TO ORDER/NOMENCLATURE PAGE B2-4 | SELECTION PAGE B2-5 | RELATED PRODUCTS PAGE B2-96 |
|--------------------------------|--|------------------------|--------------------------------|

SELECTION/DIMENSIONS



GRIP TIGHT Adapter Ball Bearings GT NORMAL DUTY 4 BOLT FLANGE BEARINGS

Lube Fitting Thread Size -
203 Series - 1/4-28 Tapered Thread
204 Series and Larger - 1/8-27 NPT



| Series | Shaft Size | Complete Unit | | Unit without Adapter Sleeve & Lock Nut | | Adapter Sleeve & Lock Nut Assembly | |
|--------|------------|---------------|-------------|--|-------------|------------------------------------|---------------|
| | | Part No. | Description | Part No. | Description | Part No. | Description |
| 208 | 1-1/2 | 129649 | F4B-GT-108 | 129469 | F4B-GT-08 | 129914 | AN-GT-08-108 |
| | 1-5/8 | 129374 | F4B-GT-110 | | | 129955 | AN-GT-08-110 |
| | 40mm | 129672 | F4B-GT-40M | | | 129947 | AN-GT-08-40M |
| 209 | 1-5/8 | 129650 | F4B-GT-110L | 129470 | F4B-GT-09 | 129915 | AN-GT-09-110L |
| | 1-11/16 | 129651 | F4B-GT-111 | | | 129916 | AN-GT-09-111 |
| | 1-3/4 | 129652 | F4B-GT-112 | | | 129917 | AN-GT-09-112 |
| | 45mm | 129673 | F4B-GT-45M | | | 129948 | AN-GT-09-45M |
| 210 | 1-15/16 | 129653 | F4B-GT-115 | 129471 | F4B-GT-10 | 129918 | AN-GT-10-115 |
| | 2 | 129654 | F4B-GT-200 | | | 129919 | AN-GT-10-200 |
| | 50mm | 129674 | F4B-GT-50M | | | 129949 | AN-GT-10-50M |
| 211 | 2 | 129687 | F4B-GTM-200 | 129472 | F4B-GT-11 | 129932 | AN-GTM-11-200 |
| | 2-3/16 | 129655 | F4B-GT-203 | | | 129920 | AN-GT-11-203 |
| | 2-1/4 | 129379 | F4B-GT-204 | | | 129956 | AN-GT-11-204 |
| | 55mm | 129675 | F4B-GT-55M | | | 129950 | AN-GT-11-55M |
| 212 | 2-1/4 | 129689 | F4B-GTM-204 | 129473 | F4B-GT-12 | 129934 | AN-GTM-12-204 |
| | 2-7/16 | 129656 | F4B-GT-207 | | | 129921 | AN-GT-12-207 |
| | 60mm | 129676 | F4B-GT-60M | | | 129951 | AN-GT-12-60M |
| 214 | 2-1/2 | 129691 | F4B-GTM-208 | 129474 | F4B-GT-14 | 129936 | AN-GTM-14-208 |
| | 2-11/16 | 129657 | F4B-GT-211 | | | 129922 | AN-GT-14-211 |
| | 70mm | 129677 | F4B-GT-70M | | | 129952 | AN-GT-14-70M |
| 215 | 2-15/16 | 129658 | F4B-GT-215 | 129475 | F4B-GT-15 | 129923 | AN-GT-15-215 |
| | 3 | @ | F4B-GT-300 | | | 129987 | AN-GT-15-300 |
| | 75mm | 129678 | F4B-GT-75M | | | 129953 | AN-GT-15-75M |

@Assembled to order

| | | | |
|--------------------------------|--|------------------------|--------------------------------|
| FEATURES/BENEFITS PAGE B2-2 | HOW TO ORDER/NOMENCLATURE PAGE B2-4 | SELECTION PAGE B2-5 | RELATED PRODUCTS PAGE B2-96 |
|--------------------------------|--|------------------------|--------------------------------|

SELECTION/DIMENSIONS



GRIP TIGHT Adapter Ball Bearings GT NORMAL DUTY 4 BOLT FLANGE BEARINGS

| Series | Shaft Size | Weight lbs kg | A | B | C# | D | F Bolt Dia. | H | J | L | N | Z |
|--------|------------|---------------------|---------|-------|---------|-------|-------------------|-------|-------|---------|---------|---------|
| 208 | 1-1/2 | 5.8 | 1-27/32 | 5-1/8 | 1-31/32 | 4 | 1/2 | 9/16 | 43/64 | 2-5/8 | 2-3/8 | 2-7/32 |
| | 1-5/8 | 5.6 | | | | | | | | | | |
| | 40mm | 2.6 | 46.8 | 130.2 | 50.0 | 101.6 | M12 | 14.3 | 17.1 | 66.7 | 60.3 | 56.4 |
| 209 | 1-5/8 | 6.0 | 1-55/64 | 5-3/8 | 2 | 4-1/8 | 1/2 | 5/8 | 11/16 | 2-55/64 | 2-3/4 | 2-3/32 |
| | 1-11/16 | 6.0 | | | | | | | | | | |
| | 1-3/4 | 5.9 | | | | | | | | | | |
| | 45mm | 2.7 | 47.2 | 136.5 | 50.8 | 104.8 | M12 | 15.9 | 14.5 | 72.6 | 69.9 | 53.2 |
| 210 | 1-15/16 | 6.6 | 1-55/64 | 5-5/8 | 2-3/64 | 4-3/8 | 1/2 | 5/8 | 21/32 | 3-1/8 | 2-7/8 | 2-1/8 |
| | 2 | 6.5 | | | | | | | | | | |
| | 50mm | 3.1 | 47.2 | 142.9 | 52.0 | 111.1 | M12 | 15.9 | 16.7 | 79.4 | 73.0 | 54.0 |
| 211 | 2 | 10.1 | 1-59/64 | 6-1/2 | 2-9/64 | 5-1/8 | 5/8 | 11/16 | 11/16 | 3-27/64 | 3-1/4 | 2-9/32 |
| | 2-3/16 | 9.7 | | | | | | | | | | |
| | 2-1/4 | 9.6 | | | | | | | | | | |
| | 55mm | 5.0 | 48.8 | 165.1 | 54.4 | 130.2 | M16 | 17.5 | 14.5 | 86.9 | 82.6 | 57.9 |
| 212 | 2-1/4 | 11.9 | 2-7/64 | 6-7/8 | 2-5/16 | 5-5/8 | 5/8 | 11/16 | 23/32 | 3-11/16 | 3-1/2 | 2-7/16 |
| | 2-7/16 | 11.2 | | | | | | | | | | |
| | 60mm | 5.9 | 53.6 | 174.6 | 58.7 | 142.9 | M16 | 17.5 | 18.3 | 93.7 | 88.9 | 62.0 |
| 214 | 2-1/2 | 15.9 | 2-25/64 | 7-3/8 | 2-53/64 | 5-7/8 | 5/8 | 11/16 | 23/32 | 4 | 3-11/16 | 2-29/32 |
| | 2-11/16 | 15.4 | | | | | | | | | | |
| | 70mm | 6.6 | 60.7 | 187.3 | 71.8 | 149.2 | M16 | 17.5 | 18.3 | 101.6 | 93.7 | 73.8 |
| 215 | 2-15/16 | 16.4 | 2-29/64 | 7-3/4 | 3-3/16 | 6 | 3/4 | 1 | 51/64 | 4-7/16 | 3-7/8 | 3-3/64 |
| | 3 | 16.2 | | | | | | | | | | |
| | 75mm | 8.6 | 62.309 | 196.9 | 81.0 | 152.4 | M18 | 25.4 | 20.2 | 112.7 | 98.4 | 77.4 |

#C dimension will vary slightly depending on true shaft diameter.

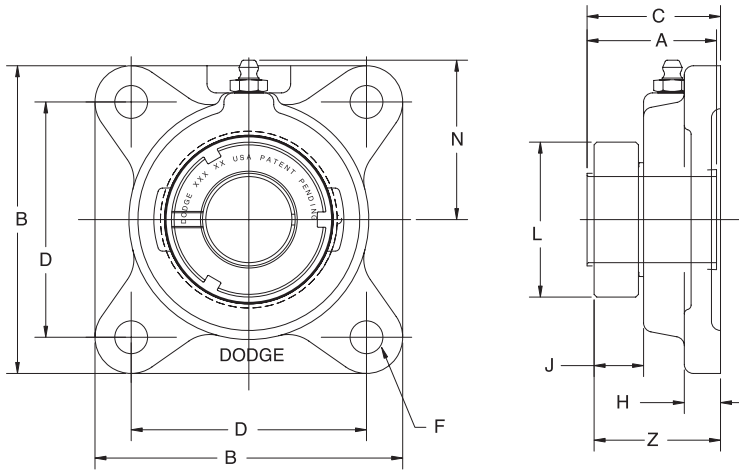
| | | | |
|--------------------------------|--|------------------------|--------------------------------|
| FEATURES/BENEFITS PAGE B2-2 | HOW TO ORDER/NOMENCLATURE PAGE B2-4 | SELECTION PAGE B2-5 | RELATED PRODUCTS PAGE B2-96 |
|--------------------------------|--|------------------------|--------------------------------|

SELECTION/DIMENSIONS



GRIP TIGHT Adapter Ball Bearings GTAH AIR HANDLING NORMAL DUTY 4 BOLT FLANGE BEARINGS

Lube Fitting Thread Size -
203 Series - 1/4-28 Tapered Thread
204 Series and Large - 1/8-27 NPT

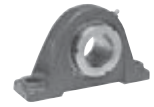


| Series | Shaft Size | Complete Unit | | Unit without Adapter Sleeve & Lock Nut | | Adapter Sleeve & Lock Nut Assembly | |
|--------|------------|---------------|---------------|--|-------------|------------------------------------|---------------|
| | | Part No. | Description | Part No. | Description | Part No. | Description |
| 203 | 1/2 | @ | F4B-GTAH-008 | @ | F4B-GTAH-03 | 129902 | AN-GT-03-008 |
| | 5/8 | @ | F4B-GTAH-010 | | | 129903 | AN-GT-03-010 |
| | 17mm | @ | F4B-GTAH-17M | | | 129942 | AN-GT-03-17M |
| 204 | 3/4 | @ | F4B-GTAH-012 | @ | F4B-GTAH-04 | 129904 | AN-GT-04-012 |
| | 20mm | @ | F4B-GTAH-20M | | | 129943 | AN-GT-04-20M |
| 205 | 7/8 | @ | F4B-GTAH-014 | 129476 | F4B-GTAH-05 | 129905 | AN-GT-05-014 |
| | 15/16 | @ | F4B-GTAH-015 | | | 129906 | AN-GT-05-015 |
| | 1 | 129659 | F4B-GTAH-100 | | | 129907 | AN-GT-05-100 |
| | 25mm | @ | F4B-GTAH-25M | | | 129944 | AN-GT-05-25M |
| 206 | 1-1/8 | @ | F4B-GTAH-102 | 129477 | F4B-GTAH-06 | 129908 | AN-GT-06-102 |
| | 1-3/16 | 129660 | F4B-GTAH-103 | | | 129909 | AN-GT-06-103 |
| | 1-1/4 | @ | F4B-GTAH-104S | | | 129910 | AN-GT-06-104S |
| | 30mm | @ | F4B-GTAH-30M | | | 129945 | AN-GT-06-30M |
| 207 | 1-1/4 | @ | F4B-GTAH-104 | 129478 | F4B-GTAH-07 | 129911 | AN-GT-07-104 |
| | 1-3/8 | @ | F4B-GTAH-106 | | | 129912 | AN-GT-07-106 |
| | 1-7/16 | 129661 | F4B-GTAH-107 | | | 129913 | AN-GT-07-107 |
| | 35mm | @ | F4B-GTAH-35M | | | 129946 | AN-GT-07-35M |

@Assembled to order

| | | | |
|--------------------------------|--|------------------------|--------------------------------|
| FEATURES/BENEFITS PAGE B2-2 | HOW TO ORDER/NOMENCLATURE PAGE B2-4 | SELECTION PAGE B2-5 | RELATED PRODUCTS PAGE B2-96 |
|--------------------------------|--|------------------------|--------------------------------|

SELECTION/DIMENSIONS



GRIP TIGHT Adapter Ball Bearings GTAH AIR HANDLING NORMAL DUTY 4 BOLT FLANGE BEARINGS

Bearing Quick Reference

E-Z KLEEN

GRIP TIGHT Adapter Ball Bearing

Set Screw Ball Bearing

Eccentric Collar Ball Bearing

| Series | Shaft Size | Weight lbs kg | A | B | C# | D | F Bolt Dia. | H | J | L | N | Z |
|--------|------------|------------------|---------|-------|---------|-------|-------------|------|-------|---------|---------|---------|
| 203 | 1/2 | 1.4 | 1-19/64 | 3 | 1-27/64 | 2-1/8 | 3/8 | 7/16 | 39/64 | 1-13/32 | 1-11/16 | 1-29/64 |
| | 5/8 | 1.3 | | | | | | | | | | |
| | 17mm | 0.6 | 32.9 | 76.2 | 36.1 | 54.0 | M10 | 11.1 | 15.5 | 35.7 | 42.9 | 36.9 |
| 204 | 3/4 | 1.7 | 1-15/32 | 3-3/8 | 1-39/64 | 2-1/2 | 3/8 | 7/16 | 5/8 | 1-1/2 | 1-15/16 | 1-43/64 |
| | 20mm | 0.8 | 37.3 | 85.7 | 40.9 | 63.5 | M10 | 11.1 | 15.9 | 38.1 | 49.2 | 42.5 |
| 205 | 7/8 | 2.2 | 1-29/64 | 3-3/4 | 1-35/64 | 2-3/4 | 7/16 | 1/2 | 19/32 | 1-51/64 | 2-1/16 | 1-39/64 |
| | 15/16 | 2.2 | | | | | | | | | | |
| | 1 | 2.2 | | | | | | | | | | |
| 206 | 25mm | 1.0 | 36.9 | 95.3 | 39.3 | 69.9 | M10 | 12.7 | 15.1 | 45.6 | 52.4 | 40.9 |
| | 1-1/8 | 3.8 | 1-39/64 | 4-1/4 | 1-45/64 | 3-1/4 | 7/16 | 1/2 | 19/32 | 2-5/64 | 2-3/16 | 1-3/4 |
| | 1-3/16 | 3.7 | | | | | | | | | | |
| | 1-1/4 | 3.7 | | | | | | | | | | |
| 207 | 30mm | 1.7 | 40.9 | 108.0 | 43.3 | 82.6 | M10 | 12.7 | 15.1 | 52.8 | 55.6 | 44.5 |
| | 1-1/4 | 4.4 | 1-5/8 | 4-3/4 | 1-49/64 | 3-5/8 | 1/2 | 9/16 | 17/32 | 2-3/8 | 2-7/16 | 1-55/64 |
| | 1-3/8 | 4.4 | | | | | | | | | | |
| | 1-7/16 | 4.3 | | | | | | | | | | |
| 207 | 35mm | 2.0 | 41.3 | 120.7 | 44.8 | 92.1 | M12 | 14.3 | 13.5 | 60.3 | 61.9 | 47.2 |

#C dimension will vary slightly depending on true shaft diameter.

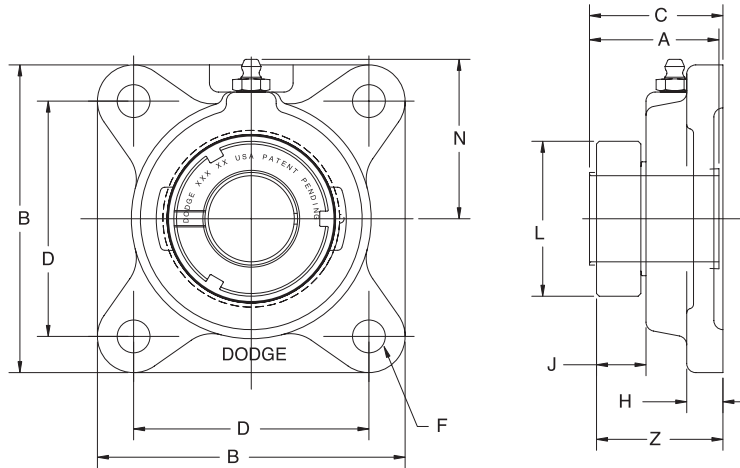
| | | | |
|--------------------------------|--|------------------------|--------------------------------|
| FEATURES/BENEFITS PAGE B2-2 | HOW TO ORDER/NOMENCLATURE PAGE B2-4 | SELECTION PAGE B2-5 | RELATED PRODUCTS PAGE B2-96 |
|--------------------------------|--|------------------------|--------------------------------|

SELECTION/DIMENSIONS



GRIP TIGHT Adapter Ball Bearings GTAH AIR HANDLING NORMAL DUTY 4 BOLT FLANGE BEARINGS

Lube Fitting Thread Size -
203 Series - 1/4-28 Tapered Thread
204 Series and Large - 1/8-27 NPT



| Series | Shaft Size | Complete Unit | | Unit without Adapter Sleeve & Lock Nut | | Adapter Sleeve & Lock Nut Assembly | |
|--------|------------|---------------|---------------|--|-------------|------------------------------------|---------------|
| | | Part No. | Description | Part No. | Description | Part No. | Description |
| 208 | 1-1/2 | @ | F4B-GTAH-108 | 129479 | F4B-GTAH-08 | 129914 | AN-GT-08-108 |
| | 1-5/8 | @ | F4B-GTAH-110 | | | 129955 | AN-GT-08-110 |
| | 40mm | @ | F4B-GTAH-40M | | | 129947 | AN-GT-08-40M |
| 209 | 1-5/8 | @ | F4B-GTAH-110L | 129480 | F4B-GTAH-09 | 129915 | AN-GT-09-110L |
| | 1-11/16 | 129662 | F4B-GTAH-111 | | | 129916 | AN-GT-09-111 |
| | 1-3/4 | 065607 | F4B-GTAH-112 | | | 129917 | AN-GT-09-112 |
| | 45mm | @ | F4B-GTAH-45M | | | 129948 | AN-GT-09-45M |
| 210 | 1-15/16 | 129663 | F4B-GTAH-115 | 129481 | F4B-GTAH-10 | 129918 | AN-GT-10-115 |
| | 2 | @ | F4B-GTAH-200 | | | 129919 | AN-GT-10-200 |
| | 50mm | 068273 | F4B-GTAH-50M | | | 129949 | AN-GT-10-50M |
| 211 | 2 | @ | F4B-GTMAH-200 | 129482 | F4B-GTAH-11 | 129932 | AN-GTM-11-200 |
| | 2-3/16 | 129664 | F4B-GTAH-203 | | | 129920 | AN-GT-11-203 |
| | 2-1/4 | @ | F4B-GTAH-204 | | | 129956 | AN-GT-11-204 |
| | 55mm | @ | F4B-GTAH-55M | | | 129950 | AN-GT-11-55M |
| 212 | 2-1/4 | @ | F4B-GTMAH-204 | 129483 | F4B-GTAH-12 | 129934 | AN-GTM-12-204 |
| | 2-7/16 | 129665 | F4B-GTAH-207 | | | 129921 | AN-GT-12-207 |
| | 60mm | @ | F4B-GTAH-60M | | | 129951 | AN-GT-12-60M |
| 214 | 2-1/2 | @ | F4B-GTMAH-208 | 129484 | F4B-GTAH-14 | 129936 | AN-GTM-14-208 |
| | 2-11/16 | @ | F4B-GTAH-211 | | | 129922 | AN-GT-14-211 |
| | 70mm | @ | F4B-GTAH-70M | | | 129952 | AN-GT-14-70M |
| 215 | 2-15/16 | 129666 | F4B-GTAH-215 | 129485 | F4B-GTAH-15 | 129923 | AN-GT-15-215 |
| | 3 | @ | F4B-GTAH-300 | | | 129987 | AN-GT-15-300 |
| | 75mm | @ | F4B-GTAH-75M | | | 129953 | AN-GT-15-75M |

@Assembled to order

| | | | |
|--------------------------------|--|------------------------|--------------------------------|
| FEATURES/BENEFITS PAGE B2-2 | HOW TO ORDER/NOMENCLATURE PAGE B2-4 | SELECTION PAGE B2-5 | RELATED PRODUCTS PAGE B2-96 |
|--------------------------------|--|------------------------|--------------------------------|

SELECTION/DIMENSIONS



GRIP TIGHT Adapter Ball Bearings GTAH AIR HANDLING NORMAL DUTY 4 BOLT FLANGE BEARINGS

| Series | Shaft Size | Weight lbs kg | A | B | C# | D | F Bolt Dia. | H | J | L | N | Z |
|--------|------------|------------------|---------|-------|---------|-------|-------------|-------|-------|---------|---------|---------|
| 208 | 1-1/2 | 5.8 | 1-27/32 | 5-1/8 | 1-31/32 | 4 | 1/2 | 9/16 | 43/64 | 2-5/8 | 2-3/8 | 2-7/32 |
| | 1-5/8 | 5.6 | | | | | | | | | | |
| | 40mm | 2.6 | 46.8 | 130.2 | 50.0 | 101.6 | M12 | 14.3 | 17.1 | 66.7 | 60.3 | 56.4 |
| 209 | 1-5/8 | 6.0 | 1-55/64 | 5-3/8 | 2 | 4-1/8 | 1/2 | 5/8 | 11/16 | 2-55/64 | 2-3/4 | 2-3/32 |
| | 1-11/16 | 6.0 | | | | | | | | | | |
| | 1-3/4 | 5.9 | | | | | | | | | | |
| | 45mm | 2.7 | 47.2 | 136.5 | 50.8 | 104.8 | M12 | 15.9 | 17.5 | 72.6 | 69.9 | 53.2 |
| 210 | 1-15/16 | 6.6 | 1-55/64 | 5-5/8 | 2-3/64 | 4-3/8 | 1/2 | 5/8 | 21/32 | 3-1/8 | 2-7/8 | 2-1/8 |
| | 2 | 6.5 | | | | | | | | | | |
| | 50mm | 3.1 | 47.2 | 142.9 | 52.0 | 111.1 | M12 | 15.9 | 16.7 | 79.4 | 73.0 | 54.0 |
| 211 | 2 | 10.1 | 1-59/64 | 6-1/2 | 2-9/64 | 5-1/8 | 5/8 | 11/16 | 11/16 | 3-27/64 | 3-1/4 | 2-9/32 |
| | 2-3/16 | 9.7 | | | | | | | | | | |
| | 2-1/4 | 9.6 | | | | | | | | | | |
| | 55mm | 5.0 | 48.8 | 165.1 | 54.4 | 130.2 | M16 | 17.5 | 17.5 | 86.9 | 82.6 | 57.9 |
| 212 | 2-1/4 | 11.9 | 2-7/64 | 6-7/8 | 2-5/16 | 5-5/8 | 5/8 | 11/16 | 23/32 | 3-11/16 | 3-1/2 | 2-7/16 |
| | 2-7/16 | 11.2 | | | | | | | | | | |
| | 60mm | 5.9 | 53.6 | 174.6 | 58.7 | 142.9 | M16 | 17.5 | 18.3 | 93.7 | 88.9 | 61.9 |
| 214 | 2-1/2 | 15.9 | 2-25/64 | 7-3/8 | 2-53/64 | 5-7/8 | 5/8 | 11/16 | 23/32 | 4 | 3-11/16 | 2-29/32 |
| | 2-11/16 | 15.4 | | | | | | | | | | |
| | 70mm | 6.6 | 60.7 | 187.3 | 71.8 | 149.2 | M16 | 17.5 | 18.3 | 10.6 | 93.7 | 73.8 |
| 215 | 2-15/16 | 16.4 | 2-29/64 | 7-3/4 | 3-3/16 | 6 | 3/4 | 1 | 51/64 | 4-7/16 | 3-7/8 | 3-3/64 |
| | 3 | 16.2 | | | | | | | | | | |
| | 75mm | 8.6 | 62.3 | 196.9 | 81.0 | 152.4 | M18 | 25.4 | 20.2 | 112.7 | 98.4 | 77.4 |

#C dimension will vary slightly depending on true shaft diameter.

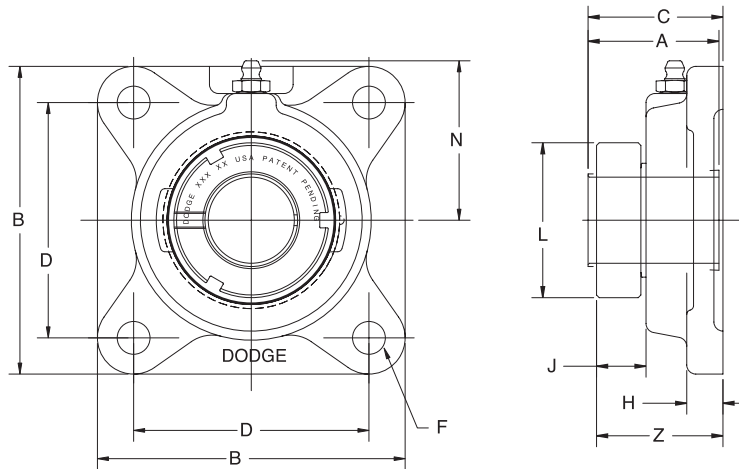
| | | | |
|--------------------------------|--|------------------------|--------------------------------|
| FEATURES/BENEFITS PAGE B2-2 | HOW TO ORDER/NOMENCLATURE PAGE B2-4 | SELECTION PAGE B2-5 | RELATED PRODUCTS PAGE B2-96 |
|--------------------------------|--|------------------------|--------------------------------|

SELECTION/DIMENSIONS



GRIP TIGHT Adapter Ball Bearings GTM MEDIUM DUTY 4 BOLT FLANGE BEARINGS

Lube Fitting Thread Size -
1/8 - 27 NPT



| Series | Shaft Size | Complete Unit | | Unit without Adapter Sleeve & Lock Nut | | Adapter Sleeve & Lock Nut Assembly | |
|--------|------------|---------------|-------------|--|-------------|------------------------------------|---------------|
| | | Part No. | Description | Part No. | Description | Part No. | Description |
| 205 | 3/4 | 129679 | F4B-GTM-012 | 129466 | F4B-GT-05 | 129924 | AN-GTM-05-012 |
| 206 | 1 25mm | 129680 | F4B-GTM-100 | 129467 | F4B-GT-06 | 129925 | AN-GTM-06-100 |
| | | 136275 | F4B-GTM-25M | | | 129957 | AN-GTM-06-25M |
| 207 | 1-3/16 | 129681 | F4B-GTM-103 | 129468 | F4B-GT-07 | 129926 | AN-GTM-07-103 |
| | 1-1/4 | 129646 | F4B-GT-104 | | | 129911 | AN-GT-07-104 |
| | 30mm | 136276 | F4B-GTM-30M | | | 129954 | AN-GTM-07-30M |
| 208 | 1-7/16 | 129682 | F4B-GTM-107 | 129469 | F4B-GT-08 | 129927 | AN-GTM-08-107 |
| | 35mm | 136277 | F4B-GTM-35M | | | 129958 | AN-GTM-08-35M |
| 209 | 1-1/2 | 129683 | F4B-GTM-108 | 129470 | F4B-GT-09 | 129928 | AN-GTM-09-108 |
| | 40mm | 136278 | F4B-GTM-40M | | | 129959 | AN-GTM-09-40M |
| 210 | 1-11/16 | 129684 | F4B-GTM-111 | 129471 | F4B-GT-10 | 129929 | AN-GTM-10-111 |
| | 1-3/4 | 129685 | F4B-GTM-112 | | | 129930 | AN-GTM-10-112 |
| | 45mm | 136279 | F4B-GTM-45M | | | 129960 | AN-GTM-10-45M |

@Assembled to order

| | | | |
|--------------------------------|--|------------------------|--------------------------------|
| FEATURES/BENEFITS PAGE B2-2 | HOW TO ORDER/NOMENCLATURE PAGE B2-4 | SELECTION PAGE B2-5 | RELATED PRODUCTS PAGE B2-96 |
|--------------------------------|--|------------------------|--------------------------------|

SELECTION/DIMENSIONS



GRIP TIGHT Adapter Ball Bearings GTM MEDIUM DUTY 4 BOLT FLANGE BEARINGS

Bearing Quick Reference

E-Z KLEEN

GRIP TIGHT Adapter Ball Bearing

Set Screw Ball Bearing

Eccentric Collar Ball Bearing

| Series | Shaft Size | Weight lbs. kg | A | B | C# | D | F Bolt Dia. | H | J | L | N | Z |
|--------|------------|----------------------|---------|-------|---------|-------|-------------------|------|-------|---------|--------|---------|
| 205 | 3/4 | 2.3 | 1-29/64 | 3-3/4 | 1-35/64 | 2-3/4 | 7/16 | 1/2 | 21/32 | 1-51/64 | 2-1/16 | 1-39/64 |
| 206 | 1 | 3.9 | 1-39/64 | 4-1/4 | 1-45/64 | 3-1/4 | 7/16 | 1/2 | 11/16 | 2-5/64 | 2-3/16 | 1-3/4 |
| | 25mm | 1.9 | 40.9 | 108.0 | 43.3 | 82.6 | M10 | 12.7 | 17.5 | 52.8 | 55.6 | 44.5 |
| 207 | 1-3/16 | 4.5 | 1-5/8 | 4-3/4 | 1-49/64 | 3-5/8 | 1/2 | 9/16 | 41/64 | 2-3/8 | 2-7/16 | 1-55/64 |
| | 1-1/4 | 4.4 | | | | | | | | | | |
| | 30mm | 2.2 | 41.3 | 120.7 | 44.8 | 92.1 | M12 | 14.3 | 16.3 | 60.3 | 61.9 | 47.2 |
| 208 | 1-7/16 | 5.9 | 1-27/32 | 5-1/8 | 1-31/32 | 4 | 1/2 | 9/16 | 43/64 | 2-5/8 | 2-3/8 | 2-7/32 |
| | 35mm | 2.9 | 46.8 | 130.2 | 50.0 | 101.6 | M12 | 14.3 | 17.1 | 66.7 | 60.3 | 56.4 |
| 209 | 1-1/2 | 6.1 | 1-55/64 | 5-3/8 | 2 | 4-1/8 | 1/2 | 5/8 | 11/16 | 2-55/64 | 2-3/4 | 2-3/32 |
| | 40mm | 3.0 | 47.2 | 136.5 | 50.8 | 104.8 | M12 | 15.9 | 17.5 | 72.6 | 69.9 | 53.2 |
| 210 | 1-11/16 | 7.1 | 1-55/64 | 5-5/8 | 2-3/64 | 4-3/8 | 1/2 | 5/8 | 21/32 | 3-1/8 | 2-7/8 | 2-1/8 |
| | 1-3/4 | 7.0 | | | | | | | | | | |
| | 45mm | 3.4 | 47.2 | 142.9 | 52.0 | 111.1 | M12 | 15.9 | 16.7 | 79.4 | 73.0 | 54.0 |

#C dimension will vary slightly depending on true shaft diameter.

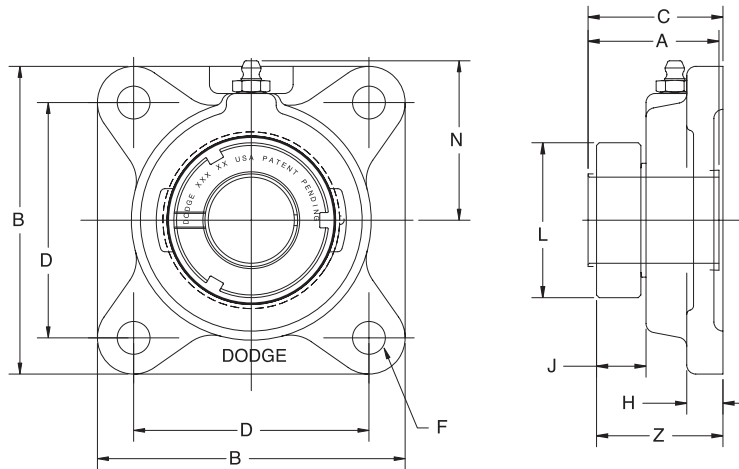
| | | | |
|--------------------------------|--|------------------------|--------------------------------|
| FEATURES/BENEFITS PAGE B2-2 | HOW TO ORDER/NOMENCLATURE PAGE B2-4 | SELECTION PAGE B2-5 | RELATED PRODUCTS PAGE B2-96 |
|--------------------------------|--|------------------------|--------------------------------|

SELECTION/DIMENSIONS



GRIP TIGHT Adapter Ball Bearings GTM MEDIUM DUTY 4 BOLT FLANGE BEARINGS

Lube Fitting Thread Size -
1/8 - 27 NPT



| Series | Shaft Size | Complete Unit | | Unit without Adapter Sleeve & Lock Nut | | Adapter Sleeve & Lock Nut Assembly | |
|--------|------------|---------------|-------------|--|-------------|------------------------------------|---------------|
| | | Part No. | Description | Part No. | Description | Part No. | Description |
| 211 | 1-15/16 | 129686 | F4B-GTM-115 | 129472 | F4B-GT-11 | 129931 | AN-GTM-11-115 |
| | 2 | 129687 | F4B-GTM-200 | | | 129932 | AN-GTM-11-200 |
| | 50mm | 136280 | F4B-GTM-50M | | | 129961 | AN-GTM-11-50M |
| 212 | 2-3/16 | 129688 | F4B-GTM-203 | 129473 | F4B-GT-12 | 129933 | AN-GTM-12-203 |
| | 2-1/4 | 129689 | F4B-GTM-204 | | | 129934 | AN-GTM-12-204 |
| | 55mm | 136281 | F4B-GTM-55M | | | 129962 | AN-GTM-12-55M |
| 214 | 2-7/16 | 129690 | F4B-GTM-207 | 129474 | F4B-GT-14 | 129935 | AN-GTM-14-207 |
| | 2-1/2 | 129691 | F4B-GTM-208 | | | 129936 | AN-GTM-14-208 |
| | 65mm | 136282 | F4B-GTM-65M | | | 129963 | AN-GTM-14-65M |
| 215 | 2-11/16 | 129692 | F4B-GTM-211 | 129475 | F4B-GT-15 | 129937 | AN-GTM-15-211 |
| | 70mm | 136283 | F4B-GTM-70M | | | 129964 | AN-GTM-15-70M |
| 216 | 2-15/16 | 129693 | F4B-GTM-215 | 129486 | F4B-GT-16 | 129938 | AN-GTM-16-215 |
| | 3 | 129694 | F4B-GTM-300 | | | 129939 | AN-GTM-16-300 |
| | 75mm | 136284 | F4B-GTM-75M | | | 129965 | AN-GTM-16-75M |
| 218 | 3-7/16 | 129695 | F4B-GTM-307 | 129487 | F4B-GT-18 | 129940 | AN-GTM-18-307 |
| | 3-1/2 | 129696 | F4B-GTM-308 | | | 129941 | AN-GTM-18-308 |
| | 85mm | 136285 | F4B-GTM-85M | | | 129966 | AN-GTM-18-85M |

@Assembled to order

| | | | |
|--------------------------------|--|------------------------|--------------------------------|
| FEATURES/BENEFITS PAGE B2-2 | HOW TO ORDER/NOMENCLATURE PAGE B2-4 | SELECTION PAGE B2-5 | RELATED PRODUCTS PAGE B2-96 |
|--------------------------------|--|------------------------|--------------------------------|

SELECTION/DIMENSIONS



GRIP TIGHT Adapter Ball Bearings GTM MEDIUM DUTY 4 BOLT FLANGE BEARINGS

Bearing Quick Reference

E-Z KLEEN

GRIP TIGHT Adapter Ball Bearing

Set Screw Ball Bearing

Eccentric Collar Ball Bearing

| Series | Shaft Size | Weight lbs. kg | A | B | C# | D | F Bolt Dia. | H | J | L | N | Z |
|--------|---------------|-------------------|---------|--------|---------|-------|-------------|-------|-------|---------|---------|---------|
| 211 | 1-15/16 | 11.1 | 1-59/64 | 6-1/2 | 2-9/64 | 5-1/8 | 5/8 | 11/16 | 11/16 | 3-27/64 | 3-1/4 | 2-9/32 |
| | 2 50mm | 11.0 5.4 | 48.8 | 165.1 | 54.4 | 130.2 | M16 | 17.5 | 17.5 | 86.9 | 82.6 | 57.9 |
| 212 | 2-3/16 | 13.4 | 2-7/64 | 6-7/8 | 2-5/16 | 5-5/8 | 5/8 | 11/16 | 23/32 | 3-11/16 | 3-1/2 | 2-7/16 |
| | 2-1/4 55mm | 13.3 6.5 | 53.6 | 174.6 | 58.7 | 142.9 | M16 | 17.5 | 18.3 | 93.7 | 88.9 | 61.9 |
| 214 | 2-7/16 | 14.7 | 2-25/64 | 7-3/8 | 2-53/64 | 5-7/8 | 5/8 | 11/16 | 23/32 | 4 | 3-11/16 | 2-29/32 |
| | 2-1/2 65mm | 14.6 7.1 | 60.7 | 187.3 | 71.8 | 149.2 | M16 | 17.5 | 18.3 | 101.6 | 93.7 | 73.8 |
| 215 | 2-11/16 | 19.0 | 2-29/64 | 7-3/4 | 3-3/16 | 6 | 3/4 | 1 | 51/64 | 4-7/16 | 3-7/8 | 3-3/64 |
| | 70mm | 9.2 | 62.3 | 196.9 | 81.0 | 152.4 | M18 | 25.4 | 20.2 | 112.7 | 98.4 | 77.4 |
| 216 | 2-15/16 | 20.7 | 2-11/16 | 7-3/4 | 3-3/8 | 6 | 3/4 | 7/8 | 57/64 | 4-11/16 | 4-9/32 | 3-25/64 |
| | 3 75mm | 20.6 10.0 | 68.3 | 196.9 | 85.7 | 152.4 | M18 | 22.2 | 22.6 | 119.1 | 108.7 | 86.1 |
| 218 | 3-7/16 | 36.1 | 2-51/64 | 8-7/16 | 3-37/64 | 6-3/4 | 3/4 | 1 | 53.64 | 5-3/16 | 4-5/8 | 3-39/64 |
| | 3-1/2 85mm | 17.5 | 71.0 | 214.3 | 90.9 | 171.5 | M18 | 25.4 | 21.0 | 131.8 | 117.5 | 91.7 |

#C dimension will vary slightly depending on true shaft diameter.

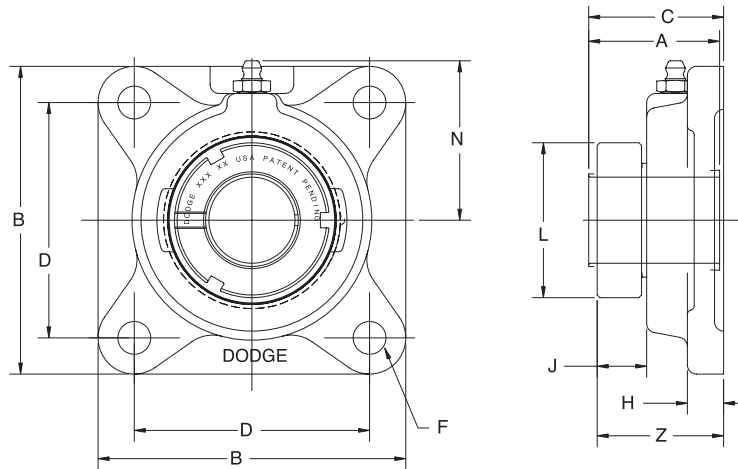
| | | | |
|--------------------------------|--|------------------------|--------------------------------|
| FEATURES/BENEFITS PAGE B2-2 | HOW TO ORDER/NOMENCLATURE PAGE B2-4 | SELECTION PAGE B2-5 | RELATED PRODUCTS PAGE B2-96 |
|--------------------------------|--|------------------------|--------------------------------|

SELECTION/DIMENSIONS



GRIP TIGHT Adapter Ball Bearings GTMAH AIR HANDLING MEDIUM DUTY 4 BOLT FLANGE BEARINGS

Lube Fitting Thread Size -
1/8 - 27 NPT



| Series | Shaft Size | Complete Unit | | Unit without Adapter Sleeve & Lock Nut | | Adapter Sleeve & Lock Nut Assembly | |
|--------|--------------------------|---------------|---------------|--|-------------|------------------------------------|---------------|
| | | Part No. | Description | Part No. | Description | Part No. | Description |
| 205 | 3/4 | @ | F4B-GTMAH-012 | 129476 | F4B-GTAH-05 | 129924 | AN-GTM-05-012 |
| 206 | 1 25mm | 129697 | F4B-GTMAH-100 | 129477 | F4B-GTAH-06 | 129925 | AN-GTM-06-100 |
| | | @ | F4B-GTMAH-25M | | | 129957 | AN-GTM-06-25M |
| 207 | 1-3/16 1-1/4 30mm | 129698 | F4B-GTMAH-103 | 129478 | F4B-GTAH-07 | 129926 | AN-GTM-07-103 |
| | | @ | F4B-GTAH-104 | | | 129911 | AN-GT-07-104 |
| | | @ | F4B-GTMAH-30M | | | 129954 | AN-GTM-07-30M |
| 208 | 1-7/16 35mm | 129699 | F4B-GTMAH-107 | 129479 | F4B-GTAH-08 | 129927 | AN-GTM-08-107 |
| | | @ | F4B-GTMAH-35M | | | 129958 | AN-GTM-08-35M |
| 209 | 1-1/2 40mm | @ | F4B-GTMAH-108 | 129480 | F4B-GTAH-09 | 129928 | AN-GTM-09-108 |
| | | @ | F4B-GTMAH-40M | | | 129959 | AN-GTM-09-40M |
| 210 | 1-11/16 1-3/4 45mm | 064670 | F4B-GTMAH-111 | 129481 | F4B-GTAH-10 | 129929 | AN-GTM-10-111 |
| | | @ | F4B-GTMAH-112 | | | 129930 | AN-GTM-10-112 |
| | | @ | F4B-GTMAH-45M | | | 129960 | AN-GTM-10-45M |

@Assembled to order

| | | | |
|--------------------------------|--|------------------------|--------------------------------|
| FEATURES/BENEFITS PAGE B2-2 | HOW TO ORDER/NOMENCLATURE PAGE B2-4 | SELECTION PAGE B2-5 | RELATED PRODUCTS PAGE B2-96 |
|--------------------------------|--|------------------------|--------------------------------|

SELECTION/DIMENSIONS



GRIP TIGHT Adapter Ball Bearings GTMAH AIR HANDLING MEDIUM DUTY 4 BOLT FLANGE BEARINGS

Bearing Quick Reference

E-Z KLEEN

GRIP TIGHT Adapter Ball Bearing

Set Screw Ball Bearing

Eccentric Collar Ball Bearing

| Series | Shaft Size | Weight lbs. kg | A | B | C# | D | F Bolt Dia. | H | J | L | N | Z |
|--------|------------|----------------|---------|-------|---------|-------|-------------|------|-------|---------|--------|---------|
| 205 | 3/4 | 2.3 | 1-29/64 | 3-3/4 | 1-35/64 | 2-3/4 | 7/16 | 1/2 | 21/32 | 1-51/64 | 2-1/16 | 1-35/64 |
| 206 | 1 | 3.9 | 1-39/64 | 4-1/4 | 1-45/64 | 3-1/4 | 7/16 | 1/2 | 11/16 | 2-5/64 | 2-3/16 | 1-3/4 |
| | 25mm | 1.9 | 40.9 | 108.0 | 43.3 | 82.6 | M10 | 12.7 | 17.5 | 52.8 | 55.6 | 44.5 |
| 207 | 1-3/16 | 4.5 | 1-5/8 | 4-3/4 | 1-49/64 | 3-5/8 | 1/2 | 9/16 | 41/64 | 2-3/8 | 2-7/16 | 1-55/64 |
| | 1-1/4 | 4.4 | | | | | | | | | | |
| | 30mm | 2.2 | 41.3 | 120.7 | 44.8 | 92.1 | M12 | 14.3 | 16.3 | 60.3 | 61.9 | 47.2 |
| 208 | 1-7/16 | 5.9 | 1-27/32 | 5-1/8 | 1-31/32 | 4 | 1/2 | 9/16 | 43/64 | 2-5/8 | 2-3/8 | 2-7/32 |
| | 35mm | 2.9 | 46.8 | 130.2 | 50.0 | 101.6 | M12 | 14.3 | 17.1 | 66.7 | 60.3 | 56.4 |
| 209 | 1-1/2 | 6.1 | 1-55/64 | 5-3/8 | 2 | 4-1/8 | 1/2 | 5/8 | 11/16 | 2-55/64 | 2-3/4 | 2-3/32 |
| | 40mm | 3.0 | 47.2 | 136.5 | 50.8 | 104.8 | M12 | 15.9 | 17.5 | 72.6 | 69.9 | 53.2 |
| 210 | 1-11/16 | 7.1 | 1-55/64 | 5-5/8 | 2-3/64 | 4-3/8 | 1/2 | 5/8 | 21/32 | 3-1/8 | 2-7/8 | 2-1/8 |
| | 1-3/4 | 7.0 | | | | | | | | | | |
| | 45mm | 3.4 | 47.2 | 142.9 | 52.0 | 111.1 | M12 | 15.9 | 16.7 | 79.4 | 73.0 | 54.0 |

#C dimension will vary slightly depending on true shaft diameter.

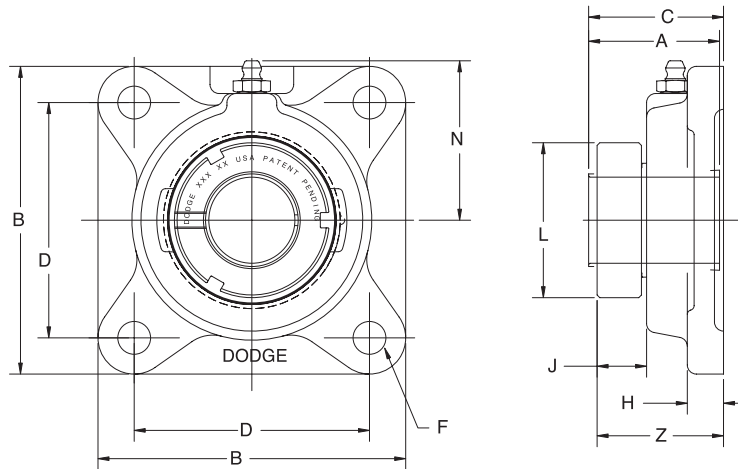
| | | | |
|--------------------------------|--|------------------------|--------------------------------|
| FEATURES/BENEFITS PAGE B2-2 | HOW TO ORDER/NOMENCLATURE PAGE B2-4 | SELECTION PAGE B2-5 | RELATED PRODUCTS PAGE B2-96 |
|--------------------------------|--|------------------------|--------------------------------|

SELECTION/DIMENSIONS



GRIP TIGHT Adapter Ball Bearings GTMAH AIR HANDLING MEDIUM DUTY 4 BOLT FLANGE BEARINGS

Lube Fitting Thread Size -
1/8 - 27 NPT



| Series | Shaft Size | Complete Unit | | Unit without Adapter Sleeve & Lock Nut | | Adapter Sleeve & Lock Nut Assembly | |
|--------|------------|---------------|---------------|--|-------------|------------------------------------|---------------|
| | | Part No. | Description | Part No. | Description | Part No. | Description |
| 211 | 1-15/16 | 129700 | F4B-GTMAH-115 | 129482 | F4B-GTAH-11 | 129931 | AN-GTM-11-115 |
| | 2 | @ | F4B-GTMAH-200 | | | 129932 | AN-GTM-11-200 |
| | 50mm | @ | F4B-GTMAH-50M | | | 129961 | AN-GTM-11-50M |
| 212 | 2-3/16 | 129701 | F4B-GTMAH-203 | 129483 | F4B-GTAH-12 | 129933 | AN-GTM-12-203 |
| | 2-1/4 | @ | F4B-GTMAH-204 | | | 129934 | AN-GTM-12-204 |
| | 55mm | @ | F4B-GTMAH-55M | | | 129962 | AN-GTM-12-55M |
| 214 | 2-7/16 | 129702 | F4B-GTMAH-207 | 129484 | F4B-GTAH-14 | 129935 | AN-GTM-14-207 |
| | 2-1/2 | @ | F4B-GTMAH-208 | | | 129936 | AN-GTM-14-208 |
| | 65mm | @ | F4B-GTMAH-65M | | | 129963 | AN-GTM-14-65M |
| 215 | 2-11/16 | @ | F4B-GTMAH-211 | 129485 | F4B-GTAH-15 | 129937 | AN-GTM-11-211 |
| | 70mm | @ | F4B-GTMAH-70M | | | 129964 | AN-GTM-11-70M |
| 216 | 2-15/16 | 129703 | F4B-GTMAH-215 | 129488 | F4B-GTAH-16 | 129938 | AN-GTM-16-215 |
| | 3 | @ | F4B-GTMAH-300 | | | 129939 | AN-GTM-16-300 |
| | 75mm | @ | F4B-GTMAH-75M | | | 129965 | AN-GTM-16-75M |
| 218 | 3-7/16 | 129704 | F4B-GTMAH-307 | 129489 | F4B-GTAH-18 | 129940 | AN-GTM-18-307 |
| | 3-1/2 | @ | F4B-GTMAH-308 | | | 129941 | AN-GTM-18-308 |
| | 85mm | @ | F4B-GTMAH-85M | | | 129966 | AN-GTM-18-85M |

@Assembled to order

| | | | |
|--------------------------------|--|------------------------|--------------------------------|
| FEATURES/BENEFITS PAGE B2-2 | HOW TO ORDER/NOMENCLATURE PAGE B2-4 | SELECTION PAGE B2-5 | RELATED PRODUCTS PAGE B2-96 |
|--------------------------------|--|------------------------|--------------------------------|

SELECTION/DIMENSIONS



Bearing Quick Reference

E-Z KLEEN

GRIP TIGHT Adapter Ball Bearing

Set Screw Ball Bearing

Eccentric Collar Ball Bearing

| Series | Shaft Size | Weight lbs. kg | A | B | C# | D | F Bolt Dia. | H | J | L | N | Z |
|--------|---------------|----------------|---------|--------|---------|-------|-------------|-------|-------|---------|---------|---------|
| 211 | 1-15/16 | 11.1 | 1-59/64 | 6-1/2 | 2-9/64 | 5-1/8 | 5/8 | 11/16 | 11/16 | 3-1/4 | 3-1/4 | 2-9/32 |
| | 2 50mm | 11.0 5.4 | 48.8 | 165.1 | 54.4 | 130.2 | M16 | 17.5 | 17.5 | 82.6 | 82.6 | 57.9 |
| 212 | 2-3/16 | 13.4 | 2-7/64 | 6-7/8 | 2-5/16 | 5-5/8 | 5/8 | 11/16 | 23/32 | 3-1/2 | 3-1/2 | 2-7/16 |
| | 2-1/4 55mm | 13.3 6.5 | 53.6 | 174.6 | 58.7 | 142.9 | M16 | 17.5 | 18.3 | 88.9 | 88.9 | 61.9 |
| 214 | 2-7/16 | 14.7 | 2-25/64 | 7-3/8 | 2-53/64 | 5-7/8 | 5/8 | 11/16 | 23/32 | 3-13/16 | 3-11/16 | 2-29/32 |
| | 2-1/2 65mm | 14.6 7.1 | 60.7 | 187.3 | 71.8 | 149.2 | M16 | 17.5 | 18.3 | 96.8 | 93.7 | 73.8 |
| 215 | 2-11/16 | 19.0 | 2-29/64 | 7-3/4 | 3-3/16 | 6 | 3/4 | 1 | 51/64 | 4-1/4 | 3-7/8 | 3-3/64 |
| | 70mm | 9.2 | 62.3 | 196.9 | 81.0 | 152.4 | M18 | 25.4 | 20.2 | 108.0 | 98.4 | 77.4 |
| 216 | 2-15/16 | 20.7 | 2-11/16 | 7-3/4 | 3-3/8 | 6 | 3/4 | 7/8 | 57/64 | 4-1/2 | 4-9/32 | 3-25/64 |
| | 3 75mm | 20.6 10.0 | 68.3 | 196.9 | 85.7 | 152.4 | M18 | 22.2 | 22.6 | 108.7 | 104.0 | 86.1 |
| 218 | 3-7/16 | 36.1 | 2-51/64 | 8-7/16 | 3-37/64 | 6-3/4 | 3/4 | 1 | 53/64 | 5 | 4-5/8 | 3-39/64 |
| | 85mm | 17.5 | 71.0 | 214.3 | 90.9 | 171.5 | M18 | 25.4 | 21.0 | 127.0 | 117.5 | 91.7 |

#C dimension will vary slightly depending on true shaft diameter.

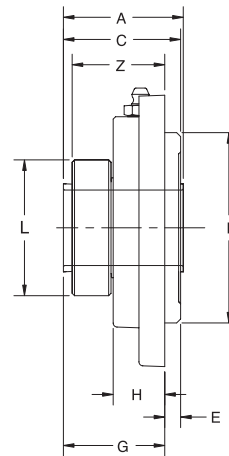
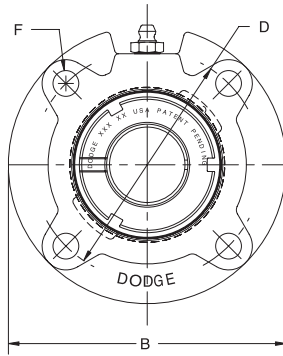
| | | | |
|--------------------------------|--|------------------------|--------------------------------|
| FEATURES/BENEFITS PAGE B2-2 | HOW TO ORDER/NOMENCLATURE PAGE B2-4 | SELECTION PAGE B2-5 | RELATED PRODUCTS PAGE B2-96 |
|--------------------------------|--|------------------------|--------------------------------|

SELECTION/DIMENSIONS



GRIP TIGHT Adapter Ball Bearings GT NORMAL DUTY PILOTED FLANGE BEARINGS

Lube Fitting Thread Size -
1/8 - 27 NPT



| Series | Shaft Size | Complete Unit | | Unit without Adapter Sleeve & Lock Nut | | Adapter Sleeve & Lock Nut Assembly | |
|--------|------------|---------------|-------------|--|-------------|------------------------------------|---------------|
| | | Part No. | Description | Part No. | Description | Part No. | Description |
| 206 | 1-1/8 | 129735 | FC-GT-102 | 129501 | FC-GT-06 | 129908 | AN-GT-06-102 |
| | 1-3/16 | 129736 | FC-GT-103 | | | 129909 | AN-GT-06-103 |
| | 1-1/4 | 129737 | FC-GT-104S | | | 129910 | AN-GT-06-104S |
| | 30mm | 129750 | FC-GT-30M | | | 129945 | AN-GT-06-30M |
| 207 | 1-1/4 | 129738 | FC-GT-104 | 129502 | FC-GT-07 | 129911 | AN-GT-07-104 |
| | 1-3/8 | 129739 | FC-GT-106 | | | 129912 | AN-GT-07-106 |
| | 1-7/16 | 129740 | FC-GT-107 | | | 129913 | AN-GT-07-107 |
| | 35mm | 129751 | FC-GT-35M | | | 129946 | AN-GT-07-35M |
| 208 | 1-1/2 | 129741 | FC-GT-108 | 129503 | FC-GT-08 | 129914 | AN-GT-08-108 |
| | 1-5/8 | 129375 | FC-GT-110 | | | 129955 | AN-GT-08-110 |
| | 40mm | 129752 | FC-GT-40M | | | 129947 | AN-GT-08-40M |
| 209 | 1-5/8 | 129742 | FC-GT-110L | 129504 | FC-GT-09 | 129915 | AN-GT-09-110L |
| | 1-11/16 | 129743 | FC-GT-111 | | | 129916 | AN-GT-09-111 |
| | 1-3/4 | 129744 | FC-GT-112 | | | 129917 | AN-GT-09-112 |
| | 45mm | 129753 | FC-GT-45M | | | 129948 | AN-GT-09-45M |
| 210 | 1-15/16 | 129745 | FC-GT-115 | 129505 | FC-GT-10 | 129918 | AN-GT-10-115 |
| | 2 | 129746 | FC-GT-200 | | | 129919 | AN-GT-10-200 |
| | 50mm | 129754 | FC-GT-50M | | | 129949 | AN-GT-10-50M |
| 211 | 2 | 129765 | FC-GTM-200 | 129506 | FC-GT-11 | 129932 | AN-GTM-11-200 |
| | 2-3/16 | 129747 | FC-GT-203 | | | 129920 | AN-GT-11-203 |
| | 2-1/4 | 129380 | FC-GT-204 | | | 129956 | AN-GT-11-204 |
| | 55mm | 129755 | FC-GT-55M | | | 129950 | AN-GT-11-55M |
| 212 | 2-1/4 | 129767 | FC-GTM-204 | 129507 | FC-GT-12 | 129934 | AN-GTM-12-204 |
| | 2-7/16 | 129748 | FC-GT-207 | | | 129921 | AN-GT-12-207 |
| | 60mm | 129756 | FC-GT-60M | | | 129951 | AN-GT-12-60M |
| 214 | 2-1/2 | 129769 | FC-GTM-208 | 129508 | FC-GT-14 | 129936 | AN-GTM-14-208 |
| | 2-11/16 | 129749 | FC-GT-211 | | | 129922 | AN-GT-14-211 |
| | 70mm | 129757 | FC-GT-70M | | | 129952 | AN-GT-14-70M |

| | | | |
|--------------------------------|--|------------------------|--------------------------------|
| FEATURES/BENEFITS PAGE B2-2 | HOW TO ORDER/NOMENCLATURE PAGE B2-4 | SELECTION PAGE B2-5 | RELATED PRODUCTS PAGE B2-96 |
|--------------------------------|--|------------------------|--------------------------------|

SELECTION/DIMENSIONS



GRIP TIGHT Adapter Ball Bearings GT NORMAL DUTY PILOTED FLANGE BEARINGS

| Series | Shaft Size | Weight lbs kg | A | B | C# | D | E | F Bolt Dia. | G# | H | K* | L | Z |
|--------|------------|---------------------|---------|-------|---------|-------|-------|-------------------|---------|--------|-------|---------|---------|
| 206 | 1-1/8 | 3.0 | 1-39/64 | 4-3/8 | 1-43/64 | 3-5/8 | 1/4 | 3/8 | 1-27/64 | 13/16 | 3 | 2-5/64 | 1-15/32 |
| | 1-3/16 | 3.0 | | | | | | | | | | | |
| | 1-1/4 | 3.0 | | | | | | | | | | | |
| | 30mm | 1.4 | 40.9 | 111.1 | 42.5 | 92.1 | 6.4 | M10 | 36.1 | 20.6 | 76.2 | 52.8 | 37.3 |
| 207 | 1-1/4 | 4.1 | 1-5/8 | 5 | 1-51/64 | 4-1/8 | 3/8 | 3/8 | 1-27/64 | 27/32 | 3-3/8 | 2-3/8 | 1-1/2 |
| | 1-3/8 | 4.0 | | | | | | | | | | | |
| | 1-7/16 | 4.0 | | | | | | | | | | | |
| | 35mm | 1.6 | 41.3 | 127.0 | 45.6 | 104.8 | 9.5 | M10 | 36.1 | 21.4 | 85.7 | 60.3 | 38.1 |
| 208 | 1-1/2 | 4.9 | 1-27/32 | 5-1/4 | 1-31/32 | 4-3/8 | 7/16 | 7/16 | 1-17/32 | 57/64 | 3-5/8 | 2-5/8 | 1-37/64 |
| | 1-5/8 | 4.7 | | | | | | | | | | | |
| | 40mm | 2.1 | 46.8 | 133.4 | 50.0 | 111.1 | 11.1 | M12 | 38.9 | 22.6 | 92.1 | 66.7 | 40.1 |
| | | | | | | | | | | | | | |
| 209 | 1-5/8 | 6.2 | 1-55/64 | 5-3/4 | 1-61/64 | 4-3/4 | 7/16 | 1/2 | 1-33/64 | 29/32 | 4 | 2-55/64 | 1-39/64 |
| | 1-11/16 | 6.1 | | | | | | | | | | | |
| | 1-3/4 | 6.1 | | | | | | | | | | | |
| | 45mm | 2.5 | 47.2 | 146.1 | 49.6 | 120.7 | 11.1 | M12 | 38.5 | 23.0 | 101.6 | 72.6 | 40.9 |
| 210 | 1-15/16 | 6.2 | 1-55/64 | 6-1/8 | 2 | 5-1/8 | 15/32 | 1/2 | 1-17/32 | 59/64 | 4-1/4 | 3-1/8 | 1-19/32 |
| | 2 | 6.2 | | | | | | | | | | | |
| | 50mm | 2.6 | 47.2 | 155.6 | 50.8 | 130.2 | 11.9 | M12 | 38.9 | 23.4 | 108.0 | 79.4 | 40.5 |
| | | | | | | | | | | | | | |
| 211 | 2 | 8.0 | 1-59/64 | 6-3/8 | 2-7/32 | 5-3/8 | 5/8 | 1/2 | 1-19/32 | 1 | 4-1/2 | 3-27/64 | 1-23/32 |
| | 2-3/16 | 8.0 | | | | | | | | | | | |
| | 2-1/4 | 6.9 | | | | | | | | | | | |
| | 55mm | 3.4 | 48.8 | 161.9 | 56.4 | 136.5 | 15.9 | M12 | 40.5 | 25.4 | 114.3 | 86.9 | 43.7 |
| 212 | 2-1/4 | 11.6 | 2-7/64 | 7-1/8 | 2-15/32 | 6 | 7/8 | 1/2 | 1-19/32 | 1 | 5 | 3-11/16 | 1-23/32 |
| | 2-7/16 | 11.6 | | | | | | | | | | | |
| | 60mm | 4.9 | 53.6 | 181.0 | 62.7 | 152.4 | 22.2 | M12 | 40.5 | 25.4 | 127.0 | 93.7 | 43.7 |
| | | | | | | | | | | | | | |
| 214 | 2-1/2 | 13.8 | 2-25/64 | 7-5/8 | 2-53/64 | 6-1/2 | 1-1/8 | 1/2 | 1-45/64 | 1-1/16 | 5-1/2 | 4 | 1-25/32 |
| | 2-11/16 | 13.6 | | | | | | | | | | | |
| | 70mm | 5.8 | 60.7 | 193.7 | 71.8 | 165.1 | 28.6 | M12 | 43.3 | 27.0 | 139.7 | 101.6 | 45.2 |
| | | | | | | | | | | | | | |

#C & G dimensions will vary slightly depending on true shaft diameter.

* +0.000" -0.002"

* +0.00 -0.05mm

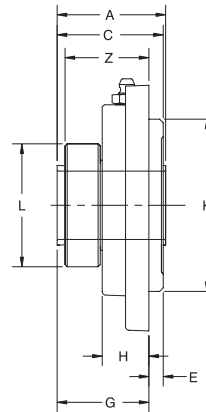
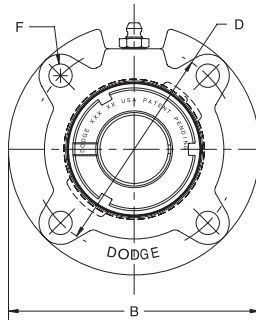
| | | | |
|--------------------------------|--|------------------------|--------------------------------|
| FEATURES/BENEFITS PAGE B2-2 | HOW TO ORDER/NOMENCLATURE PAGE B2-4 | SELECTION PAGE B2-5 | RELATED PRODUCTS PAGE B2-96 |
|--------------------------------|--|------------------------|--------------------------------|

SELECTION/DIMENSIONS



GRIP TIGHT Adapter Ball Bearings GTM MEDIUM DUTY PILOTED FLANGE BEARINGS

Lube Fitting Thread Size -
1/8 - 27 NPT



| Series | Shaft Size | Complete Unit | | Unit without Adapter Sleeve & Lock Nut | | Adapter Sleeve & Lock Nut Assembly | |
|--------|-----------------------------------|---------------|-------------|--|-------------|------------------------------------|---------------|
| | | Part No. | Description | Part No. | Description | Part No. | Description |
| 206 | 1 25mm | 129758 | FC-GTM-100 | 129501 | FC-GT-06 | 129925 | AN-GTM-06-100 |
| | | 136286 | FC-GTM-25M | | | 129957 | AN-GTM-06-25M |
| 207 | 1-3/16 1-1/4 30mm | 129759 | FC-GTM-103 | 129502 | FC-GT-07 | 129926 | AN-GTM-07-103 |
| | | 129738 | FC-GT-104 | | | 129911 | AN-GT-07-104 |
| 208 | 1-7/16 1-1/2 35mm | 129760 | FC-GTM-107 | 129503 | FC-GT-08 | 129927 | AN-GTM-08-107 |
| | | 129741 | FC-GT-108 | | | 129914 | AN-GT-08-108 |
| 209 | 1-1/2 1-5/8 40mm | 136288 | FC-GTM-35M | 129504 | FC-GT-09 | 129958 | AN-GTM-08-35M |
| | | 129761 | FC-GTM-108L | | | 129928 | AN-GTM-09-108 |
| 210 | 1-5/8 1-11/16 1-3/4 45mm | 129742 | FC-GT-110L | 129505 | FC-GT-10 | 129118 | AN-GT-09-110 |
| | | 136289 | FC-GTM-40M | | | 129959 | AN-GTM-09-40M |
| 211 | 1-11/16 2 50mm | 129762 | FC-GTM-111 | 129506 | FC-GT-11 | 129929 | AN-GTM-10-111 |
| | | 129763 | FC-GTM-112 | | | 129930 | AN-GTM-10-112 |
| 212 | 1-15/16 2 50mm | 136290 | FC-GTM-45M | 129507 | FC-GT-12 | 129960 | AN-GTM-10-45M |
| | | 129764 | FC-GTM-115 | | | 129931 | AN-GTM-11-115 |
| 214 | 2-3/16 2-1/4 55mm | 129765 | FC-GTM-200 | 129508 | FC-GT-14 | 129932 | AN-GTM-11-200 |
| | | 136291 | FC-GTM-50M | | | 129961 | AN-GTM-11-50M |
| 216 | 2-7/16 2-1/2 65mm | 129766 | FC-GTM-203 | 129509 | FC-GT-16 | 129933 | AN-GTM-12-203 |
| | | 129767 | FC-GTM-204 | | | 129934 | AN-GTM-12-204 |
| 218 | 2-15/16 3 75mm | 139292 | FC-GTM-55M | 129510 | FC-GT-18 | 129962 | AN-GTM-12-55M |
| | | 129768 | FC-GTM-207 | | | 129935 | AN-GTM-14-207 |
| 218 | 3-7/16 3-1/2 85mm | 129769 | FC-GTM-208 | 129510 | FC-GT-18 | 129936 | AN-GTM-14-208 |
| | | 136293 | FC-GTM-65M | | | 129963 | AN-GTM-14-65M |
| 218 | 3-7/16 3-1/2 85mm | 129770 | FC-GTM-215 | 129510 | FC-GT-18 | 129938 | AN-GTM-16-215 |
| | | 129771 | FC-GTM-300 | | | 129939 | AN-GTM-16-300 |
| 218 | 3-7/16 3-1/2 85mm | 136294 | FC-GTM-75M | 129510 | FC-GT-18 | 129965 | AN-GTM-16-75M |
| | | 129772 | FC-GTM-307 | | | 129940 | AN-GTM-18-307 |
| 218 | 3-7/16 3-1/2 85mm | 129773 | FC-GTM-308 | 129510 | FC-GT-18 | 129941 | AN-GTM-18-308 |
| | | 136295 | FC-GTM-85M | | | 129966 | AN-GTM-18-85M |

@Assembled to order

| | | | |
|--------------------------------|--|------------------------|--------------------------------|
| FEATURES/BENEFITS PAGE B2-2 | HOW TO ORDER/NOMENCLATURE PAGE B2-4 | SELECTION PAGE B2-5 | RELATED PRODUCTS PAGE B2-96 |
|--------------------------------|--|------------------------|--------------------------------|

SELECTION/DIMENSIONS



GRIP TIGHT Adapter Ball Bearings GTM MEDIUM DUTY PILOTED FLANGE BEARINGS

| Series | Shaft Size | Weight lbs kg | A | B | C# | D | E | F Bolt Dia. | G# | H | K* | L | Z |
|--------|------------|---------------------|---------|--------|---------|-------|-------|-------------------|---------|--------|-------|---------|---------|
| 206 | 1 | 3.1 | 1-39/64 | 4-3/8 | 1-43/64 | 3-5/8 | 1/4 | 3/8 | 1-27/64 | 13/16 | 3 | 2-5/64 | 1-15/32 |
| | 25mm | 1.5 | 40.9 | 111.1 | 42.5 | 92.1 | 6.4 | M10 | 36.1 | 20.6 | 76.2 | 52.8 | 37.3 |
| 207 | 1-3/16 | 4.1 | 1-5/8 | 5 | 1-51/64 | 4-1/8 | 3/8 | 3/8 | 1-27/64 | 27/32 | 3-3/8 | 2-3/8 | 1-1/2 |
| | 1-1/4 | 4.1 | | | | | | | | | | | |
| | 30mm | 2.0 | 41.3 | 127.0 | 45.6 | 104.8 | 9.5 | M10 | 36.1 | 21.4 | 85.7 | 60.3 | 38.1 |
| 208 | 1-7/16 | 5.1 | 1-27/32 | 5-1/4 | 1-31/32 | 4-3/8 | 7/16 | 7/16 | 1-17/32 | 57/64 | 3-5/8 | 2-5/8 | 1-37/64 |
| | 1-1/2 | 4.9 | | | | | | | | | | | |
| | 35mm | 2.5 | 46.8 | 133.4 | 50.0 | 111.1 | 11.1 | M12 | 38.9 | 22.6 | 92.1 | 66.7 | 40.1 |
| 209 | 1-1/2 | 6.1 | 1-55/64 | 5-3/4 | 1-61/64 | 4-3/4 | 7/16 | 1/2 | 1-33/64 | 29/32 | 4 | 2-55/64 | 1-39/64 |
| | 1-5/8 | 6.1 | | | | | | | | | | | |
| | 40mm | 3.0 | 47.2 | 146.1 | 49.6 | 120.7 | 11.1 | M12 | 38.5 | 23.0 | 101.6 | 72.6 | 40.9 |
| 210 | 1-11/16 | 6.2 | 1-55/64 | 6-1/8 | 2 | 5-1/8 | 15/32 | 1/2 | 1-17/32 | 59/64 | 4-1/4 | 3-1/8 | 1-19/32 |
| | 1-3/4 | 6.2 | | | | | | | | | | | |
| | 45mm | 3.0 | 47.2 | 155.6 | 50.8 | 130.2 | 11.9 | M12 | 38.9 | 23.4 | 108.0 | 79.4 | 40.5 |
| 211 | 1-15/16 | 8.0 | 1-59/64 | 6-3/8 | 2-7/32 | 5-3/8 | 5/8 | 1/2 | 1-19/32 | 1 | 4-1/2 | 3-27/64 | 1-23/32 |
| | 2 | 8.0 | | | | | | | | | | | |
| | 50mm | 3.9 | 48.8 | 161.9 | 56.4 | 136.5 | 15.9 | M12 | 40.5 | 25.4 | 114.3 | 86.9 | 43.7 |
| 212 | 2-3/16 | 11.6 | 2-7/64 | 7-1/8 | 2-15/32 | 6 | 7/8 | 1/2 | 1-19/32 | 1 | 5 | 3-11/16 | 1-23/32 |
| | 2-1/4 | 11.6 | | | | | | | | | | | |
| | 55mm | 5.6 | 53.6 | 181.0 | 62.7 | 152.4 | 22.2 | M12 | 40.5 | 25.4 | 127.0 | 93.7 | 43.7 |
| 214 | 2-7/16 | 13.9 | 2-25/64 | 7-5/8 | 2-53/64 | 6-1/2 | 1-1/8 | 1/2 | 1-45/64 | 1-1/16 | 5-1/2 | 4 | 1-25/32 |
| | 2-1/2 | 13.8 | | | | | | | | | | | |
| | 65mm | 6.7 | 60.7 | 193.7 | 71.8 | 165.1 | 28.6 | M12 | 43.3 | 27.0 | 139.7 | 101.6 | 45.2 |
| 216 | 2-15/16 | 15.9 | 2-11/16 | 8-3/4 | 3-5/16 | 7-1/2 | 1-1/4 | 5/8 | 2-9/64 | 1-3/16 | 6-3/8 | 4-11/16 | 2-1/16 |
| | 3 | 15.8 | | | | | | | | | | | |
| | 75mm | 12.9 | 68.3 | 222.3 | 84.1 | 190.5 | 31.8 | M16 | 54.4 | 30.2 | 161.9 | 119.1 | 52.4 |
| 218 | 3-7/16 | 36.8 | 2-51/64 | 10-1/4 | 3-17/32 | 8-5/8 | 1-1/8 | 3/4 | 2-13/32 | 1-5/8 | 7-3/8 | 5-3/16 | 2-7/16 |
| | 85mm | 17.8 | 71.0 | 260.4 | 89.7 | 219.1 | 28.6 | M18 | 61.1 | 41.3 | 187.3 | 131.8 | 61.9 |

#C & G dimensions will vary slightly depending on true shaft diameter.

* +0.000" -0.002"

* +0.00 -0.05mm

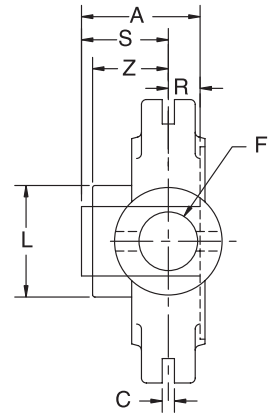
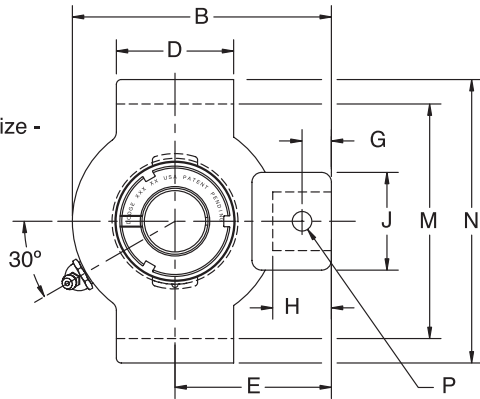
| | | | |
|--------------------------------|--|------------------------|--------------------------------|
| FEATURES/BENEFITS PAGE B2-2 | HOW TO ORDER/NOMENCLATURE PAGE B2-4 | SELECTION PAGE B2-5 | RELATED PRODUCTS PAGE B2-96 |
|--------------------------------|--|------------------------|--------------------------------|

SELECTION/DIMENSIONS



GRIP TIGHT Adapter Ball Bearings GT NORMAL DUTY NARROW SLOT TAKE-UP BEARINGS

Lube Fitting Thread Size -
1/8 - 27 NPT



| Series | Shaft Size | Complete Unit | | Unit without Adapter Sleeve & Lock Nut | | Adapter Sleeve & Lock Nut Assembly | |
|--------|----------------------------------|---------------|--------------|--|-------------|------------------------------------|---------------|
| | | Part No. | Description | Part No. | Description | Part No. | Description |
| 204 | 3/4 20mm | 136110 | NSTU-GT-012 | 136210 | NSTU-GT-04 | 129904 | AN-GT-04-012 |
| | | 136238 | NSTU-GT-20M | | | 129943 | AN-GT-04-20M |
| 205 | 7/8 15/16 1 25mm | 136111 | NSTU-GT-014 | 136211 | NSTU-GT-05 | 129905 | AN-GT-05-014 |
| | | 136112 | NSTU-GT-015 | | | 129906 | AN-GT-05-015 |
| | | 136113 | NSTU-GT-100 | | | 129907 | AN-GT-05-100 |
| | | 136239 | NSTU-GT-25M | | | 129944 | AN-GT-05-25M |
| 206 | 1-1/8 1-3/16 1-1/4 30mm | 136114 | NSTU-GT-102 | 136212 | NSTU-GT-06 | 129908 | AN-GT-06-102 |
| | | 136115 | NSTU-GT-103 | | | 129909 | AN-GT-06-103 |
| | | 136116 | NSTU-GT-104S | | | 129910 | AN-GT-06-104S |
| | | 136240 | NSTU-GT-30M | | | 129945 | AN-GT-06-30M |
| 207 | 1-1/4 1-3/8 1-7/16 35mm | 136117 | NSTU-GT-104 | 136213 | NSTU-GT-07 | 129911 | AN-GT-07-104 |
| | | 136118 | NSTU-GT-106 | | | 129912 | AN-GT-07-106 |
| | | 136119 | NSTU-GT-107 | | | 129913 | AN-GT-07-107 |
| | | 136241 | NSTU-GT-35M | | | 129946 | AN-GT-07-35M |
| 208 | 1-1/2 1-5/8 40mm | 136120 | NSTU-GT-108 | 136214 | NSTU-GT-08 | 129914 | AN-GT-08-108 |
| | | 126121 | NSTU-GT-110 | | | 129955 | AN-GT-08-110 |
| | | 136242 | NSTU-GT-40M | | | 129947 | AN-GT-08-40M |

@ Assembled to order

| | | | |
|--------------------------------|--|------------------------|--------------------------------|
| FEATURES/BENEFITS PAGE B2-2 | HOW TO ORDER/NOMENCLATURE PAGE B2-4 | SELECTION PAGE B2-5 | RELATED PRODUCTS PAGE B2-96 |
|--------------------------------|--|------------------------|--------------------------------|

SELECTION/DIMENSIONS



GRIP TIGHT Adapter Ball Bearings GT NORMAL DUTY NARROW SLOT TAKE-UP BEARINGS

| Series | Shaft Size | Weight lbs kg | Take-Up Frame Size | A | B | C* | D | E | F Screw Dia. | G | H | J | L | M@ | N | P Pin Dia. | R# | S# | Z |
|--------|----------------------------------|--------------------------|--------------------|-----------------|-----------------|-------------|---------------|-----------------|-----------------|---------------|----------------|---------------|-----------------|---------------|----------------|---------------|---------------|----------------|-----------------|
| 204 | 3/4 20mm | 1.6 0.8 | | 1-15/32 37.3 | 3-1/2 88.9 | 1/4 6.4 | 1-1/2 38.1 | 2-3/16 55.6 | 3/4 19.1 | 7/16 11.1 | 7/8 22.2 | 1-3/8 34.9 | 1-1/2 38.1 | 2-5/8 66.7 | 3-1/8 79.4 | 5/16 7.9 | 31/64 12.3 | 63/64 25.0 | 1-3/64 26.6 |
| 205 | 7/8 1 25mm | 1.6 1.5 0.7 | NS210 | 1-29/64 36.9 | 3-9/16 90.5 | 1/4 6.4 | 1-1/2 38.1 | 2-3/16 55.6 | 3/4 19.1 | 7/16 11.1 | 7/8 22.2 | 1-3/8 34.9 | 1-51/64 45.6 | 2-5/8 66.7 | 3-1/8 79.4 | 5/16 7.9 | 1/2 12.8 | 61/64 24.2 | 1-1/64 25.8 |
| 206 | 1-1/8 1-3/16 1-1/4 30mm | 2.8 2.7 2.6 1.2 | NS308 | 1-39/64 40.9 | 4-5/16 109.5 | 1/4 6.4 | 2-1/2 63.5 | 2-11/16 68.3 | 3/4 19.1 | 1/2 12.7 | 15/16 23.8 | 1-3/8 34.9 | 2-5/64 52.8 | 3-1/2 88.9 | 4-1/8 104.8 | 5/16 7.9 | 17/32 13.5 | 1-5/64 27.4 | 1-1/8 28.6 |
| 207 | 1-1/4 1-3/8 1-7/16 35mm | 2.8 2.6 2.5 1.2 | NS308 | 1-5/8 41.3 | 4-1/2 114.3 | 1/4 6.4 | 2-1/2 63.5 | 2-11/16 68.3 | 3/4 19.1 | 1/2 12.7 | 15/16 23.8 | 1-3/8 34.9 | 2-3/8 60.3 | 3-1/2 88.9 | 4-1/8 104.8 | 5/16 7.9 | 9/16 14.3 | 1-1/16 27.0 | 1-9/64 29.0 |
| 208 | 1-1/2 1-5/8 40mm | 4.7 4.5 2.1 | NS400 | 1-27/32 46.8 | 5-3/8 136.5 | 5/16 7.9 | 3 76.2 | 3-1/4 82.6 | 7/8 22.2 | 21/32 16.7 | 1-5/32 29.4 | 2-5/8 66.7 | 2-5/8 66.7 | 4 101.6 | 4-3/4 120.7 | 3/8 9.5 | 21/32 16.7 | 1-3/16 30.2 | 1-15/64 31.4 |

#R & S dimensions will vary slightly depending on true shaft diameter.

* +/- .015", +/- .38mm

@ +.010, -.020" +.25mm, -.50mm

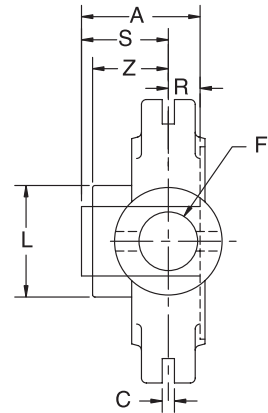
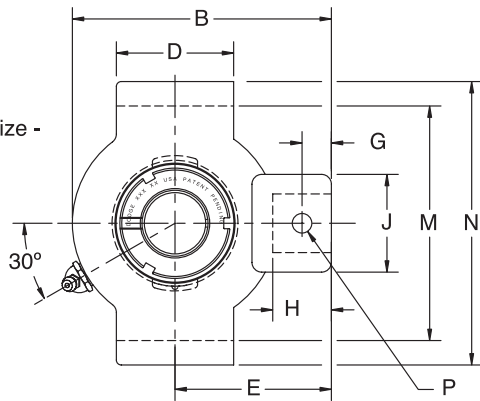
| | | | |
|--------------------------------|--|------------------------|--------------------------------|
| FEATURES/BENEFITS PAGE B2-2 | HOW TO ORDER/NOMENCLATURE PAGE B2-4 | SELECTION PAGE B2-5 | RELATED PRODUCTS PAGE B2-96 |
|--------------------------------|--|------------------------|--------------------------------|

SELECTION/DIMENSIONS



GRIP TIGHT Adapter Ball Bearings GT NORMAL DUTY NARROW SLOT TAKE-UP BEARINGS

Lube Fitting Thread Size -
1/8 - 27 NPT

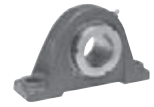


| Series | Shaft Size | Complete Unit | | Unit without Adapter Sleeve & Lock Nut | | Adapter Sleeve & Lock Nut Assembly | |
|--------|------------|---------------|--------------|--|-------------|------------------------------------|---------------|
| | | Part No. | Description | Part No. | Description | Part No. | Description |
| 209 | 1-5/8 | 136122 | NSTU-GT-110L | 136215 | NSTU-GT-09 | 129915 | AN-GT-09-110L |
| | 1-11/16 | 136123 | NSTU-GT-111 | | | 129916 | AN-GT-09-111 |
| | 1-3/4 | 136124 | NSTU-GT-112 | | | 129917 | AN-GT-09-112 |
| | 45mm | 136243 | NSTU-GT-45M | | | 129948 | AN-GT-09-45M |
| 210 | 1-15/16 | 136125 | NSTU-GT-115 | 136216 | NSTU-GT-10 | 129918 | AN-GT-10-115 |
| | 2 | 136126 | NSTU-GT-200 | | | 129919 | AN-GT-10-200 |
| | 50mm | 136244 | NSTU-GT-50M | | | 129949 | AN-GT-10-50M |
| 211 | 2 | 136167 | NSTU-GTM-200 | 136217 | NSTU-GT-11 | 129932 | AN-GTM-11-200 |
| | 2-3/16 | 136127 | NSTU-GT-203 | | | 129920 | AN-GT-11-203 |
| | 2-1/4 | 136128 | NSTU-GT-204 | | | 129956 | AN-GT-11-204 |
| | 55mm | 136245 | NSTU-GT-55M | | | 129950 | AN-GT-11-55M |
| 212 | 2-1/4 | 136169 | NSTU-GTM-204 | 136218 | NSTU-GT-12 | 129934 | AN-GTM-12-204 |
| | 2-7/16 | 136129 | NSTU-GT-207 | | | 129921 | AN-GT-12-207 |
| | 60mm | 136246 | NSTU-GT-60M | | | 129951 | AN-GT-12-60M |

@ Assembled to order

| | | | |
|--------------------------------|--|------------------------|--------------------------------|
| FEATURES/BENEFITS PAGE B2-2 | HOW TO ORDER/NOMENCLATURE PAGE B2-4 | SELECTION PAGE B2-5 | RELATED PRODUCTS PAGE B2-96 |
|--------------------------------|--|------------------------|--------------------------------|

SELECTION/DIMENSIONS



GRIP TIGHT Adapter Ball Bearings GT NORMAL DUTY NARROW SLOT TAKE-UP BEARINGS

| Series | Shaft Size | Weight lbs kg | Take-Up Frame Size | A | B | C* | D | E | F Screw Dia. | G | H | J | L | M@ | N | P Pin Dia. | R# | S# | Z |
|--------|---------------|------------------|--------------------|---------|---------|------|-------|-------|--------------------|-------|--------|-------|---------|---------|-------|------------------|-------|---------|---------|
| 209 | 1-5/8 | 4.9 | NS400 | 1-55/64 | 5-7/16 | 5/16 | 3 | 3-1/4 | 7/8 | 23/32 | 1-7/32 | 1-5/8 | 2-55/64 | 4 | 4-3/4 | 3/8 | 21/32 | 1-3/16 | 1-9/32 |
| | 1-11/16 | 4.8 | | 47.2 | 138.1 | 7.9 | 76.2 | 82.6 | 22.2 | 18.3 | 31.0 | 41.3 | 72.6 | 101.6 | 120.7 | 9.5 | 16.7 | 30.2 | 32.5 |
| | 1-3/4 45mm | 4.7 2.1 | | | | | | | | | | | | | | | | | |
| 210 | 1-15/16 | 4.9 | NS400 | 1-55/64 | 5-1/2 | 5/16 | 3 | 3-1/4 | 7/8 | 19/32 | 1-3/32 | 1-5/8 | 3-1/8 | 4 | 4-3/4 | 3/8 | 21/32 | 1-13/64 | 1-9/32 |
| | 2 | 4.8 | | 47.2 | 139.7 | 7.9 | 76.2 | 82.6 | 22.2 | 15.1 | 27.8 | 41.3 | 79.4 | 101.6 | 120.7 | 9.5 | 16.7 | 30.6 | 32.5 |
| | 50mm | 2.2 | | | | | | | | | | | | | | | | | |
| 211 | 2 | 6.8 | NS407 | 1-59/64 | 6-1/8 | 5/16 | 3-1/2 | 3-5/8 | 1 | 11/16 | 1-9/32 | 1-3/4 | 3-27/64 | 4-7/16 | 5-3/8 | 7/16 | 45/64 | 1-7/32 | 1-11/32 |
| | 2-3/16 | 6.6 | | 48.8 | 155.6 | 7.9 | 88.9 | 92.1 | 25.4 | 17.5 | 32.5 | 44.5 | 86.9 | 112.7 | 136.5 | 11.1 | 17.9 | 31.0 | 34.1 |
| | 2-1/4 55mm | 6.5 3.0 | | | | | | | | | | | | | | | | | |
| 212 | 2-1/4 | 8.7 | NS415 | 2-7/64 | 6-11/16 | 5/16 | 3-3/4 | 3-7/8 | 1 | 11/16 | 1-9/32 | 1-5/8 | 3-11/16 | 4-15/16 | 5-3/4 | 7/16 | 49/64 | 1-11/32 | 1-15/32 |
| | 2-7/16 | 8.4 | | 53.6 | 169.9 | 7.9 | 95.3 | 98.4 | 25.4 | 17.5 | 32.5 | 41.3 | 93.7 | 125.4 | 146.1 | 11.1 | 19.4 | 34.1 | 37.3 |
| | 60mm | 4.9 | | | | | | | | | | | | | | | | | |

#R & S dimensions will vary slightly depending on true shaft diameter.

* +/- .015", +/- .38mm

@ +.010, -.020" +.25mm, -.50mm

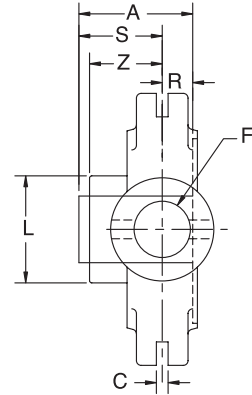
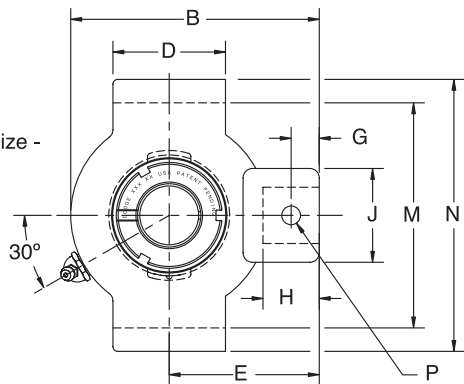
| | | | |
|--------------------------------|--|------------------------|--------------------------------|
| FEATURES/BENEFITS PAGE B2-2 | HOW TO ORDER/NOMENCLATURE PAGE B2-4 | SELECTION PAGE B2-5 | RELATED PRODUCTS PAGE B2-96 |
|--------------------------------|--|------------------------|--------------------------------|

SELECTION/DIMENSIONS



GRIP TIGHT Adapter Ball Bearings GTM MEDIUM DUTY NARROW SLOT TAKE-UP BEARINGS

Lube Fitting Thread Size -
1/8 - 27 NPT



| Series | Shaft Size | Complete Unit | | Unit without Adapter Sleeve & Lock Nut | | Adapter Sleeve & Lock Nut Assembly | |
|--------|------------|---------------|--------------|--|-------------|------------------------------------|---------------|
| | | Part No. | Description | Part No. | Description | Part No. | Description |
| 205 | 3/4 | 136159 | NSTU-GTM-012 | 136211 | NSTU-GT-05 | 129924 | AN-GTM-05-012 |
| 206 | 1 25mm | 136160 | NSTU-GTM-100 | 136212 | NSTU-GTU-06 | 129925 | AN-GTM-06-100 |
| | | 136296 | NSTU-GTM-25M | | | 129957 | AN-GTM-06-25M |
| 207 | 1-3/16 | 136161 | NSTU-GTM-103 | 136213 | NSTU-GT-07 | 129926 | AN-GTM-07-103 |
| | 1-1/4 | 136117 | NSTU-GT-104 | | | 129911 | AN-GT-07-104 |
| | 30mm | 136297 | NSTU-GTM-30M | | | 129954 | AN-GTM-07-30M |
| 208 | 1-7/16 | 136162 | NSTU-GTM-107 | 136214 | NSTU-GT-08 | 129927 | AN-GTM-08-107 |
| | 35mm | 136298 | NSTU-GTM-35M | | | 129958 | AN-GTM-08-35M |
| 209 | 1-1/2 | 136163 | NSTU-GTM-108 | 136215 | NSTU-GT-09 | 129928 | AN-GTM-09-108 |
| | 40mm | 136299 | NSTU-GTM-40M | | | 129959 | AN-GTM-09-40M |
| 210 | 1-11/16 | 136164 | NSTU-GTM-111 | 136216 | NSTU-GT-10 | 129929 | AN-GTM-10-111 |
| | 1-3/4 | 136165 | NSTU-GTM-112 | | | 129930 | AN-GTM-10-112 |
| | 45mm | 136300 | NSTU-GTM-45M | | | 129960 | AN-GTM-10-45M |
| 211 | 1-15/16 | 136166 | NSTU-GTM-115 | 136217 | NSTU-GT-11 | 129931 | AN-GTM-11-115 |
| | 2 | 136167 | NSTU-GTM-200 | | | 129932 | AN-GTM-11-200 |
| | 50mm | 136301 | NSTU-GTM-50M | | | 129961 | AN-GTM-11-50M |
| 212 | 2-3/16 | 136168 | NSTU-GTM-203 | 136218 | NSTU-GT-12 | 129933 | AN-GTM-12-203 |
| | 2-1/4 | 136169 | NSTU-GTM-204 | | | 129934 | AN-GTM-12-204 |
| | 55mm | 136302 | NSTU-GTM-55M | | | 129962 | AN-GTM-12-55M |

@ Assembled to order

| | | | |
|--------------------------------|--|------------------------|--------------------------------|
| FEATURES/BENEFITS PAGE B2-2 | HOW TO ORDER/NOMENCLATURE PAGE B2-4 | SELECTION PAGE B2-5 | RELATED PRODUCTS PAGE B2-96 |
|--------------------------------|--|------------------------|--------------------------------|

SELECTION/DIMENSIONS



GRIP TIGHT Adapter Ball Bearings GTM MEDIUM DUTY NARROW SLOT TAKE-UP BEARINGS

| Series | Shaft Size | Weight lbs kg | Take-Up Frame Size | A | B | C* | D | E | F Screw Dia. | G | H | J | L | M@ | N | P Pin Dia. | R# | S# | Z |
|--------|------------|---------------|--------------------|-----------------|---------------|------------|---------------|----------------|--------------|--------------|-------------|---------------|---------------|---------------|---------------|-------------|---------------|---------------|---------------|
| 205 | 3/4 | 1.7 | NS210 | 1-15/32 37.3 | 3-1/2 88.9 | 1/4 6.4 | 1-1/2 38.1 | 2-3/16 55.6 | 3/4 19.1 | 7/16 11.1 | 7/8 22.2 | 1-3/8 34.9 | 1-1/2 38.1 | 2-5/8 66.7 | 3-1/8 79.4 | 5/16 7.9 | 31/64 12.3 | 63/64 25.0 | 63/64 25.0 |
| 206 | 1 | 2.8 | NS308 | 1-39/64 | 4-5/16 | 1/4 | 2-1/2 | 2-11/16 | 3/4 | 1/2 | 15/16 | 1-3/8 | 2 | 3-1/2 | 4-1/8 | 5/16 | 17/32 | 1-5/64 | 1-1/32 |
| | 25mm | 1.2 | | 40.9 | 109.5 | 6.4 | 63.5 | 68.3 | 19.1 | 12.7 | 23.8 | 34.9 | 50.8 | 88.9 | 104.8 | 7.9 | 13.5 | 27.4 | 26.2 |
| 207 | 1-3/16 | 2.8 | NS308 | 1-5/8 | 4-1/2 | 1/4 | 2-1/2 | 2-11/16 | 3/4 | 1/2 | 15/16 | 1-3/8 | 2-19/64 | 3-1/2 | 4-1/8 | 5/16 | 9/16 | 1-1/16 | 1-3/64 |
| | 1-1/4 | 1.2 | | 41.3 | 114.3 | 6.4 | 63.5 | 68.3 | 19.1 | 12.7 | 23.8 | 34.9 | 58.3 | 88.9 | 104.8 | 7.9 | 14.3 | 27.0 | 26.6 |
| 208 | 1-7/16 | 4.7 | NS400 | 1-27/32 | 5-3/8 | 5/16 | 3 | 3-1/4 | 7/8 | 21/32 | 1-5/32 | 1-5/8 | 2-1/2 | 4 | 4-3/4 | 3/8 | 21/32 | 1-3/16 | 1-9/64 |
| | 35mm | 2.1 | | 46.8 | 136.5 | 7.9 | 76.2 | 82.6 | 22.2 | 16.7 | 29.4 | 41.3 | 63.5 | 101.6 | 120.7 | 9.5 | 16.7 | 30.2 | 29.0 |
| 209 | 1-1/2 | 4.9 | NS400 | 1-27/32 | 5-7/16 | 5/16 | 3 | 3-1/4 | 7/8 | 23/32 | 1-7/32 | 1-5/8 | 2-43/64 | 4 | 4-3/4 | 3/8 | 21/32 | 1-3/16 | 1-5/32 |
| | 40mm | 2.1 | | 46.8 | 138.1 | 7.9 | 76.2 | 82.6 | 22.2 | 18.3 | 31.0 | 41.3 | 67.9 | 101.6 | 120.7 | 9.5 | 16.7 | 30.2 | 29.4 |
| 210 | 1-11/16 | 4.9 | NS400 | 1-55/64 | 5-1/2 | 5/16 | 3 | 3-1/4 | 7/8 | 19/32 | 1-3/32 | 1-5/8 | 2-15/16 | 4 | 4-3/4 | 3/8 | 21/32 | 1-13/64 | 1-5/32 |
| | 1-3/4 | 2.2 | | 47.2 | 139.7 | 7.9 | 76.2 | 82.6 | 22.2 | 15.1 | 27.8 | 41.3 | 74.6 | 101.6 | 120.7 | 9.5 | 16.7 | 30.6 | 29.4 |
| 211 | 1-15/16 | 6.8 | NS407 | 1-59/64 | 6-1/8 | 5/16 | 3-1/2 | 3-5/8 | 1 | 11/16 | 1-9/32 | 1-3/4 | 3-1/4 | 4-7/16 | 5-3/8 | 7/16 | 45/64 | 1-7/32 | 1-3/16 |
| | 2 | 3.0 | | 48.8 | 155.6 | 7.9 | 88.9 | 92.1 | 25.4 | 17.5 | 32.5 | 44.5 | 82.6 | 112.7 | 136.5 | 11.1 | 17.9 | 31.0 | 30.2 |
| 212 | 2-3/16 | 8.7 | NS415 | 2-7/64 | 6-11/16 | 5/16 | 3-3/4 | 3-7/8 | 1 | 11/16 | 1-9/32 | 1-5/8 | 3-1/2 | 4-15/16 | 5-3/4 | 7/16 | 49/64 | 1-11/32 | 1-5/16 |
| | 2-1/4 | 4.9 | | 53.6 | 169.9 | 7.9 | 95.3 | 98.4 | 25.4 | 17.5 | 32.5 | 41.3 | 88.9 | 125.4 | 146.1 | 11.1 | 19.4 | 34.1 | 33.3 |

#R & S dimensions will vary slightly depending on true shaft diameter.

* +/- .015", +/- .38mm

@ +.010, -.020" +.25mm, -.50mm

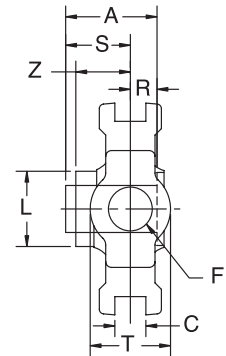
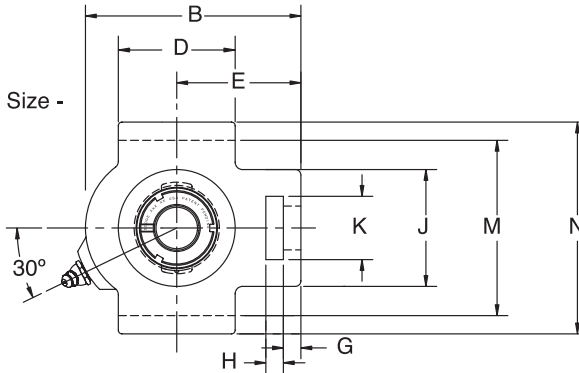
| | | | |
|--------------------------------|--|------------------------|--------------------------------|
| FEATURES/BENEFITS PAGE B2-2 | HOW TO ORDER/NOMENCLATURE PAGE B2-4 | SELECTION PAGE B2-5 | RELATED PRODUCTS PAGE B2-96 |
|--------------------------------|--|------------------------|--------------------------------|

SELECTION/DIMENSIONS



GRIP TIGHT Adapter Ball Bearings GT NORMAL DUTY WIDE SLOT TAKE-UP BEARINGS

Lube Fitting Thread Size -
1/8 - 27 NPT



| Series | Shaft Size | Complete Unit | | Unit without Adapter Sleeve & Lock Nut | | Adapter Sleeve & Lock Nut Assembly | |
|--------|------------|---------------|--------------|--|-------------|------------------------------------|---------------|
| | | Part No. | Description | Part No. | Description | Part No. | Description |
| 204 | 3/4 | 136130 | WSTU-GT-012 | 136219 | WSTU-GT-04 | 129904 | AN-GT-04-012 |
| | 20mm | 136247 | WSTU-GT-20M | | | 129943 | AN-GT-04-20M |
| 205 | 7/8 | 136131 | WSTU-GT-014 | 136220 | WSTU-GT-05 | 129905 | AN-GT-05-014 |
| | 15/16 | 136132 | WSTU-GT-015 | | | 129906 | AN-GT-05-015 |
| | 1 | 136133 | WSTU-GT-100 | | | 129907 | AN-GT-05-100 |
| | 25mm | 136248 | WSTU-GT-25M | | | 129944 | AN-GT-05-25M |
| 206 | 1-1/8 | 136134 | WSTU-GT-102 | 136221 | WSTU-GT-06 | 129908 | AN-GT-06-102 |
| | 1-3/16 | 136135 | WSTU-GT-103 | | | 129909 | AN-GT-06-103 |
| | 1-1/4 | 136136 | WSTU-GT-104S | | | 129910 | AN-GT-06-104S |
| | 30mm | 136249 | WSTU-GT-30M | | | 129945 | AN-GT-06-30M |
| 207 | 1-1/4 | 136137 | WSTU-GT-104 | 136222 | WSTU-GT-07 | 129911 | AN-GT-07-104 |
| | 1-3/8 | 136138 | WSTU-GT-106 | | | 129912 | AN-GT-07-106 |
| | 1-7/16 | 136139 | WSTU-GT-107 | | | 129913 | AN-GT-07-107 |
| | 35mm | 136250 | WSTU-GT-35M | | | 129946 | AN-GT-07-35M |
| 208 | 1-1/2 | 136140 | WSTU-GT-108 | 136223 | WSTU-GT-08 | 129914 | AN-GT-08-108 |
| | 1-5/8 | 136141 | WSTU-GT-110 | | | 129955 | AN-GT-08-110 |
| | 40mm | 136251 | WSTU-GT-40M | | | 129947 | AN-GT-08-40M |

@ Assembled to order

| | | | |
|--------------------------------|--|------------------------|--------------------------------|
| FEATURES/BENEFITS PAGE B2-2 | HOW TO ORDER/NOMENCLATURE PAGE B2-4 | SELECTION PAGE B2-5 | RELATED PRODUCTS PAGE B2-96 |
|--------------------------------|--|------------------------|--------------------------------|

SELECTION/DIMENSIONS



GRIP TIGHT Adapter Ball Bearings GT NORMAL DUTY WIDE SLOT TAKE-UP BEARINGS

| Series | Shaft Size | Weight lbs kg | Take-Up Frame Size | A | B | C* | D | E | F Screw Dia. | G | H | J | K | L | M* | N | R# | S# | T | Z |
|--------|------------|------------------|--------------------|---------|---------|-------|-------|--------|-----------------|------|------|--------|---------|---------|-------|-------|-------|--------|---------|---------|
| 204 | 3/4 | 1.9 | | 1-15/32 | 3-11/16 | 17/32 | 2 | 2-3/8 | 5/8 | 3/8 | 5/8 | 2 | 1-1/4 | 1-1/2 | 3 | 3-5/8 | 31/64 | 63/64 | 1-3/8 | 1-3/64 |
| | 20mm | 0.9 | | 37.3 | 93.7 | 13.5 | 50.8 | 60.3 | 15.9 | 9.5 | 15.9 | 50.8 | 31.8 | 38.1 | 76.2 | 92.1 | 12.3 | 25.0 | 34.9 | 26.7 |
| 205 | 7/8 | 2.2 | WS300 | 1-29/64 | 3-13/16 | 17/32 | 2 | 2-7/16 | 5/8 | 3/8 | 5/8 | 2 | 1-5/16 | 1-51/64 | 3 | 3-5/8 | 1/2 | 61/64 | 1-3/8 | 1-1/64 |
| | 15/16 | 2.1 | | 36.9 | 96.8 | 13.5 | 50.8 | 61.9 | 15.9 | 9.5 | 15.9 | 50.8 | 33.3 | 45.6 | 76.2 | 92.1 | 12.8 | 24.2 | 34.9 | 25.9 |
| | 1 | 2.0 | | | | | | | | | | | | | | | | | | |
| 206 | 25mm | 1.0 | WS308 | 1-39/64 | 4-3/8 | 17/32 | 2-1/4 | 2-3/4 | 3/4 | 3/8 | 5/8 | 2-3/16 | 1-7/16 | 2-5/64 | 3-1/2 | 4-1/8 | 17/32 | 1-5/64 | 1-5/8 | 1-1/8 |
| | 1-1/8 | 2.7 | | 40.9 | 111.1 | 13.5 | 57.2 | 69.9 | 19.1 | 9.5 | 15.9 | 55.6 | 36.5 | 52.8 | 88.9 | 104.8 | 13.5 | 27.4 | 41.3 | 28.7 |
| | 1-3/16 | 2.6 | | | | | | | | | | | | | | | | | | |
| 207 | 1-1/4 | 3.7 | WS308 | 1-5/8 | 4-7/8 | 17/32 | 2-1/2 | 3-1/16 | 3/4 | 1/2 | 5/8 | 2-1/2 | 1-7/16 | 2-3/8 | 3-1/2 | 4-1/8 | 9/16 | 1-1/16 | 1-5/8 | 1-9/64 |
| | 1-3/8 | 3.6 | | 41.3 | 123.8 | 13.5 | 63.5 | 77.8 | 19.1 | 12.7 | 15.9 | 63.5 | 36.5 | 60.3 | 88.9 | 104.8 | 14.3 | 27.0 | 41.3 | 29.1 |
| | 1-7/16 | 3.5 | | | | | | | | | | | | | | | | | | |
| 208 | 35mm | 1.6 | WS400 | 1-27/32 | 5-11/16 | 11/16 | 3-1/4 | 3-1/2 | 1 | 5/8 | 3/4 | 3-1/4 | 1-15/16 | 2-5/8 | 4 | 4-1/2 | 21/32 | 1-3/16 | 1-15/16 | 1-15/64 |
| | 1-1/2 | 6.1 | | 46.8 | 144.5 | 17.5 | 82.6 | 88.9 | 25.4 | 15.9 | 19.1 | 82.6 | 49.2 | 66.7 | 101.6 | 114.3 | 16.7 | 30.2 | 49.2 | 31.5 |
| | 1-5/8 | 5.9 | | | | | | | | | | | | | | | | | | |
| | 40mm | 2.8 | | | | | | | | | | | | | | | | | | |

#R & S dimensions will vary slightly depending on true shaft diameter.

*+/- .015", +/- .38mm

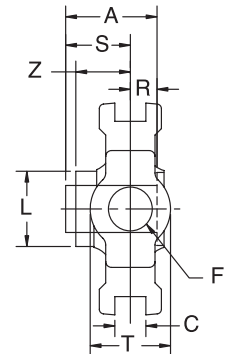
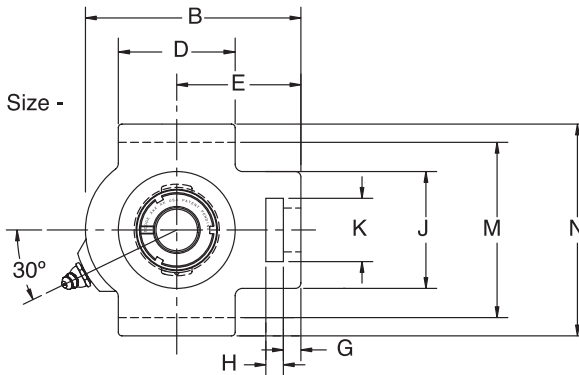
| | | | |
|--------------------------------|--|------------------------|--------------------------------|
| FEATURES/BENEFITS PAGE B2-2 | HOW TO ORDER/NOMENCLATURE PAGE B2-4 | SELECTION PAGE B2-5 | RELATED PRODUCTS PAGE B2-96 |
|--------------------------------|--|------------------------|--------------------------------|

SELECTION/DIMENSIONS



GRIP TIGHT Adapter Ball Bearings GT NORMAL DUTY WIDE SLOT TAKE-UP BEARINGS

Lube Fitting Thread Size -
1/8 - 27 NPT



| Series | Shaft Size | Complete Unit | | Unit without Adapter Sleeve & Lock Nut | | Adapter Sleeve & Lock Nut Assembly | |
|--------|------------|---------------|--------------|--|-------------|------------------------------------|---------------|
| | | Part No. | Description | Part No. | Description | Part No. | Description |
| 209 | 1-5/8 | 136142 | WSTU-GT-110L | 136224 | WSTU-GT-09 | 129915 | AN-GT-09-110 |
| | 1-11/16 | 136143 | WSTU-GT-111 | | | 129916 | AN-GT-09-111 |
| | 1-3/4 | 136144 | WSTU-GT-112 | | | 129917 | AN-GT-09-112 |
| | 45mm | 136252 | WSTU-GT-45M | | | 129948 | AN-GT-09-45M |
| 210 | 1-15/16 | 136145 | WSTU-GT-115 | 136225 | WSTU-GT-10 | 129918 | AN-GT-10-115 |
| | 2 | 136146 | WSTU-GT-200 | | | 129919 | AN-GT-10-200 |
| | 50mm | 136253 | WSTU-GT-50M | | | 129949 | AN-GT-10-50M |
| 211 | 2 | 136178 | WSTU-GTM-200 | 136226 | WSTU-GT-11 | 129932 | AN-GTM-11-200 |
| | 2-3/16 | 136147 | WSTU-GT-203 | | | 129920 | AN-GT-11-203 |
| | 2-1/4 | 136148 | WSTU-GT-204 | | | 129956 | AN-GT-11-204 |
| | 55mm | 136254 | WSTU-GT-55M | | | 129950 | AN-GT-11-55M |
| 212 | 2-1/4 | 136180 | WSTU-GTM-204 | 136227 | WSTU-GT-12 | 129934 | AN-GTM-12-204 |
| | 2-7/16 | 136149 | WSTU-GT-207 | | | 129921 | AN-GT-12-207 |
| | 60mm | 136255 | WSTU-GT-60M | | | 129951 | AN-GT-12-60M |
| 214 | 2-1/2 | 136182 | WSTU-GTM-208 | 136228 | WSTU-GT-14 | 129936 | AN-GTM-14-208 |
| | 2-11/16 | 136150 | WSTU-GT-211 | | | 129922 | AN-GT-14-211 |
| | 70mm | 163256 | WSTU-GT-70M | | | 129952 | AN-GT-14-70M |
| 215 | 2-15/16 | 136151 | WSTU-GT-215 | 136229 | WSTU-GT-15 | 129923 | AN-GT-15-215 |
| | 3 | @ | WSTU-GT-300 | | | 129887 | AN-GT-15-300 |
| | 75mm | 136257 | WSTU-GT-75M | | | 129953 | AN-GT-15-75M |

@ Assembled to order

| | | | |
|--------------------------------|--|------------------------|--------------------------------|
| FEATURES/BENEFITS PAGE B2-2 | HOW TO ORDER/NOMENCLATURE PAGE B2-4 | SELECTION PAGE B2-5 | RELATED PRODUCTS PAGE B2-96 |
|--------------------------------|--|------------------------|--------------------------------|

SELECTION/DIMENSIONS



GRIP TIGHT Adapter Ball Bearings GT NORMAL DUTY WIDE SLOT TAKE-UP BEARINGS

| Series | Shaft Size | Wgt. lbs kg | Take-Up Frame Size | A | B | C* | D | E | F Screw Dia. | G | H | J | K | L | M* | N | R# | S# | T | Z | |
|--------|------------|-------------|--------------------|---------|---------|--------|-------|---------|--------------|-------|-------|-------|---------|---------|---------|---------|-------|---------|---------|---------|--|
| 209 | 1-5/8 | 6.1 | WS400 | 1-55/64 | 5-5/8 | 11/16 | 3-1/4 | 3-7/16 | 1 | 5/8 | 3/4 | 3-1/4 | 1-15/16 | 2-55/64 | 4 | 4-3/4 | 21/32 | 1-3/16 | 1-15/16 | 1-9/32 | |
| | 1-11/16 | 6.0 | | 47.2 | 142.9 | 17.5 | 82.6 | 87.3 | 25.4 | 15.9 | 19.1 | 82.6 | 49.2 | 72.6 | 101.6 | 120.7 | 16.7 | 30.2 | 49.2 | 32.6 | |
| | 1-3/4 | 5.9 | | | | | | | | | | | | | | | | | | | |
| | 45mm | 2.7 | | | | | | | | | | | | | | | | | | | |
| 210 | 1-15/16 | 6.4 | WS400 | 1-55/64 | 5-13/16 | 11/16 | 3-3/8 | 3-9/16 | 1 | 5/8 | 3/4 | 3-1/4 | 1-15/16 | 3-1/8 | 4 | 4-3/4 | 21/32 | 1-13/64 | 1-15/16 | 1-9/32 | |
| | 2 | 6.3 | | 47.2 | 147.6 | 17.5 | 85.7 | 90.5 | 25.4 | 15.9 | 19.1 | 82.6 | 49.2 | 79.4 | 101.6 | 120.7 | 16.7 | 30.6 | 49.2 | 32.6 | |
| | 50mm | 2.9 | | | | | | | | | | | | | | | | | | | |
| 211 | 2 | 10.1 | WS502 | 1-59/64 | 6-11/16 | 1-1/16 | 3-3/4 | 4-3/16 | 1-1/4 | 3/4 | 1 | 4 | 2-1/2 | 3-27/64 | 5-1/8 | 5-7/8 | 45/64 | 1-7/32 | 2-1/2 | 1-11/32 | |
| | 2-3/16 | 10.0 | | 48.8 | 169.9 | 27.0 | 95.3 | 106.4 | 31.8 | 19.1 | 25.4 | 101.6 | 63.5 | 86.9 | 130.2 | 149.2 | 17.9 | 31.0 | 63.5 | 34.0 | |
| | 2-1/4 | 9.9 | | | | | | | | | | | | | | | | | | | |
| 212 | 2-1/4 | 11.2 | WS502 | 2-7/64 | 7-1/2 | 1-1/16 | 4 | 4-11/16 | 1-1/4 | 3/4 | 1-1/4 | 4 | 2-1/2 | 3-11/16 | 5-1/8 | 5-7/8 | 49/64 | 1-11/32 | 2-1/2 | 1-15/32 | |
| | 2-7/16 | 10.8 | | 53.6 | 190.5 | 27.0 | 101.6 | 119.1 | 31.8 | 19.1 | 31.8 | 101.6 | 63.5 | 93.7 | 130.2 | 149.2 | 19.4 | 34.1 | 63.5 | 37.1 | |
| 214 | 2-1/2 | 18.0 | WS515 | 2-25/64 | 8-9/16 | 1-1/16 | 4-3/4 | 5-3/8 | 1-1/2 | 13/16 | 1-1/4 | 4-3/8 | 2-3/4 | 4 | 5-15/16 | 6-9/16 | 7/8 | 1-33/64 | 2-3/4 | 1-19/32 | |
| | 2-11/16 | 17.8 | | 60.7 | 217.5 | 27.0 | 120.7 | 136.5 | 38.1 | 20.6 | 31.8 | 111.1 | 69.9 | 101.6 | 150.8 | 166.7 | 22.2 | 38.5 | 69.9 | 40.5 | |
| 215 | 2-15/16 | 18.9 | WS515 | 2-29/64 | 9-1/8 | 1-1/16 | 4-3/4 | 5-1/2 | 1-1/2 | 13/16 | 1-1/4 | 4-3/8 | 2-3/4 | 4-7/16 | 5-15/16 | 6-11/16 | 57/64 | 1-43/64 | 2-3/4 | 1-5/8 | |
| | 3 | 18.7 | | 62.3 | 231.8 | 27.0 | 120.7 | 139.7 | 38.1 | 20.6 | 31.8 | 111.1 | 69.9 | 112.7 | 150.8 | 169.9 | 22.6 | 42.5 | 69.9 | 41.3 | |
| | 75mm | 8.6 | | | | | | | | | | | | | | | | | | | |

#R & S dimensions will vary slightly depending on true shaft diameter.

*+/- .015", +/- .38mm

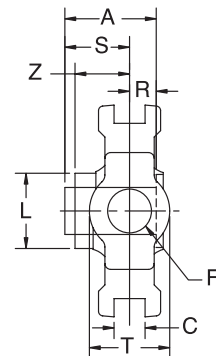
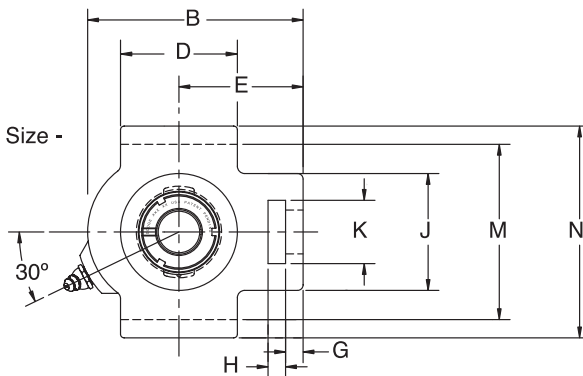
| | | | |
|--------------------------------|--|------------------------|--------------------------------|
| FEATURES/BENEFITS PAGE B2-2 | HOW TO ORDER/NOMENCLATURE PAGE B2-4 | SELECTION PAGE B2-5 | RELATED PRODUCTS PAGE B2-96 |
|--------------------------------|--|------------------------|--------------------------------|

SELECTION/DIMENSIONS



GRIP TIGHT Adapter Ball Bearings GTM MEDIUM DUTY WIDE SLOT TAKE-UP BEARINGS

Lube Fitting Thread Size -
1/8 - 27 NPT



| Series | Shaft Size | Complete Unit | | Unit without Adapter Sleeve & Lock Nut | | Adapter Sleeve & Lock Nut Assembly | |
|--------|------------|---------------|--------------|--|-------------|------------------------------------|---------------|
| | | Part No. | Description | Part No. | Description | Part No. | Description |
| 205 | 3/4 | 136170 | WSTU-GTM-012 | 136220 | WSTU-GT-05 | 129924 | AN-GTM-05-012 |
| 206 | 1 25mm | 136171 | WSTU-GTM-100 | 136221 | WSTU-GTU-06 | 129925 | AN-GTM-06-100 |
| | | 136303 | WSTU-GTM-25M | | | 129957 | AN-GTM-06-25M |
| 207 | 1-3/16 | 136172 | WSTU-GTM-103 | 136222 | WSTU-GT-07 | 129926 | AN-GTM-07-103 |
| | 1-1/4 | 136137 | WSTU-GT-104 | | | 129911 | AN-GT-07-104 |
| | 30mm | 136304 | WSTU-GTM-30M | | | 129954 | AN-GTM-07-30M |
| 208 | 1-7/16 | 136173 | WSTU-GTM-107 | 136223 | WSTU-GT-08 | 129927 | AN-GTM-08-107 |
| | 35mm | 136305 | WSTU-GTM-35M | | | 129958 | AN-GTM-08-35M |
| 209 | 1-1/2 | 136174 | WSTU-GTM-108 | 136224 | WSTU-GT-09 | 129928 | AN-GTM-09-108 |
| | 40mm | 136306 | WSTU-GTM-40M | | | 129959 | AN-GTM-09-40M |
| 210 | 1-11/16 | 136175 | WSTU-GTM-111 | 136225 | WSTU-GT-10 | 129929 | AN-GTM-10-111 |
| | 1-3/4 | 136176 | WSTU-GTM-112 | | | 129930 | AN-GTM-10-112 |
| | 45mm | 136307 | WSTU-GTM-45M | | | 129960 | AN-GTM-10-45M |

@ Assembled to order

| | | | |
|--------------------------------|--|------------------------|--------------------------------|
| FEATURES/BENEFITS PAGE B2-2 | HOW TO ORDER/NOMENCLATURE PAGE B2-4 | SELECTION PAGE B2-5 | RELATED PRODUCTS PAGE B2-96 |
|--------------------------------|--|------------------------|--------------------------------|

SELECTION/DIMENSIONS



GRIP TIGHT Adapter Ball Bearings GTM MEDIUM DUTY WIDE SLOT TAKE-UP BEARINGS

Bearing Quick Reference

E-Z KLEEN

GRIP TIGHT Adapter Ball Bearing

Set Screw Ball Bearing

Eccentric Collar Ball Bearing

| Series | Shaft Size | Weight | | Take-Up Frame Size | A | B | C* | D | E | F | | G | H | J | K | L | M* | N | R# | S# | T | Z |
|--------|--------------------------|------------|-------|--------------------|---------|-------|-------|--------|------|------------|------|--------|---------|---------|-------|-------|-------|---------|---------|---------|---------|---------|
| | | lbs | kg | | | | | | | Screw Dia. | | | | | | | | | | | | |
| 205 | 3/4 | 2.7 | WS300 | 1-29/64 | 3-13/16 | 17/32 | 2 | 2-7/16 | 5/8 | 3/8 | 5/8 | 2 | 1-5/16 | 1-51/64 | 3 | 3-5/8 | 1/2 | 61/64 | 1-3/8 | 61/64 | 1-3/8 | 61/64 |
| | | | | 36.9 | 96.8 | 13.5 | 50.8 | 61.9 | 15.9 | 9.5 | 15.9 | 50.8 | 33.3 | 45.6 | 76.2 | 92.1 | 12.8 | 24.2 | 34.9 | 24.2 | | |
| 206 | 1 25mm | 4.1 1.3 | WS308 | 1-39/64 | 4-3/8 | 17/32 | 2-1/4 | 2-3/4 | 3/4 | 3/8 | 5/8 | 2-3/16 | 1-7/16 | 2-5/64 | 3-1/2 | 4-1/8 | 17/32 | 1-5/64 | 1-5/8 | 1-1/8 | 1-5/8 | 1-1/8 |
| | | | | 40.9 | 111.1 | 13.5 | 57.2 | 69.9 | 19.1 | 9.5 | 15.9 | 55.6 | 36.5 | 52.8 | 88.9 | 104.8 | 13.5 | 27.4 | 41.3 | 28.7 | | |
| 207 | 1-3/16 1-1/4 30mm | 5.1 3.7 | WS308 | 1-5/8 | 4-7/8 | 17/32 | 2-1/2 | 3-1/16 | 3/4 | 1/2 | 5/8 | 2-1/2 | 1-7/16 | 2-3/8 | 3-1/2 | 4-1/8 | 9/16 | 1-1/16 | 1-5/8 | 1-9/16 | 1-5/8 | 1-9/16 |
| | | | | 41.3 | 123.8 | 13.5 | 63.5 | 77.8 | 19.1 | 12.7 | 15.9 | 63.5 | 36.5 | 60.3 | 88.9 | 104.8 | 14.3 | 27.0 | 41.3 | 29.1 | | |
| 208 | 1-7/16 35mm | 7.3 3.5 | WS400 | 1-27/32 | 5-11/16 | 11/16 | 3-1/4 | 3-1/2 | 1 | 5/8 | 3/4 | 3-1/4 | 1-15/16 | 2-5/8 | 4 | 4-1/2 | 21/32 | 1-3/16 | 1-15/16 | 1-15/16 | 1-15/16 | 1-15/16 |
| | | | | 46.8 | 144.5 | 17.5 | 82.6 | 88.9 | 25.4 | 15.9 | 19.1 | 82.6 | 49.2 | 66.7 | 101.6 | 114.3 | 16.7 | 30.2 | 49.2 | 31.5 | | |
| 209 | 1-1/2 40mm | 7.2 6.1 | WS400 | 1-55/64 | 5-5/8 | 11/16 | 3-1/4 | 3-7/16 | 1 | 5/8 | 3/4 | 3-1/4 | 1-15/16 | 2-55/64 | 4 | 4-3/4 | 21/32 | 1-3/16 | 1-15/16 | 1-9/32 | 1-15/16 | 1-9/32 |
| | | | | 47.2 | 142.9 | 17.5 | 82.6 | 87.3 | 25.4 | 15.9 | 19.1 | 82.6 | 49.2 | 72.6 | 101.6 | 120.7 | 16.7 | 30.2 | 49.2 | 32.6 | | |
| 210 | 1-11/16 1-3/4 45mm | 7.7 7.6 | WS400 | 1-55/64 | 5-13/16 | 11/16 | 3-3/8 | 3-9/16 | 1 | 5/8 | 3/4 | 3-1/4 | 1-15/16 | 3-1/8 | 4 | 4-3/4 | 21/32 | 1-13/64 | 1-15/16 | 1-9/32 | 1-15/16 | 1-9/32 |
| | | | | 47.2 | 147.6 | 17.5 | 85.7 | 90.5 | 25.4 | 15.9 | 19.1 | 82.6 | 49.2 | 79.4 | 101.6 | 120.7 | 16.7 | 30.6 | 49.2 | 32.6 | | |

#R & S dimensions will vary slightly depending on true shaft diameter.

*+/- .015", +/- .38mm

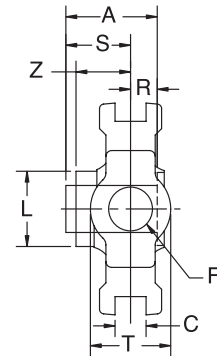
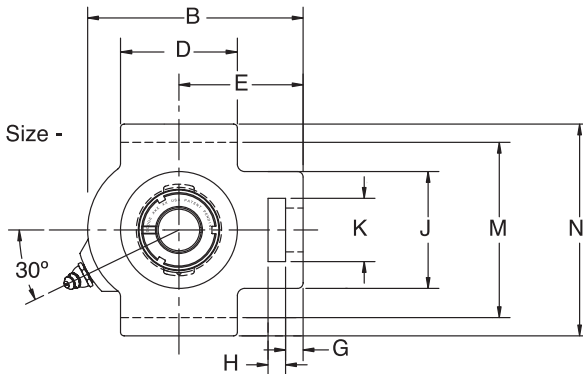
| | | | |
|--------------------------------|--|------------------------|--------------------------------|
| FEATURES/BENEFITS PAGE B2-2 | HOW TO ORDER/NOMENCLATURE PAGE B2-4 | SELECTION PAGE B2-5 | RELATED PRODUCTS PAGE B2-96 |
|--------------------------------|--|------------------------|--------------------------------|

SELECTION/DIMENSIONS



GRIP TIGHT Adapter Ball Bearings GTM MEDIUM DUTY WIDE SLOT TAKE-UP BEARINGS

Lube Fitting Thread Size -
1/8 - 27 NPT



| Series | Shaft Size | Complete Unit | | Unit without Adapter Sleeve & Lock Nut | | Adapter Sleeve & Lock Nut Assembly | |
|--------|------------|---------------|--------------|--|-------------|------------------------------------|---------------|
| | | Part No. | Description | Part No. | Description | Part No. | Description |
| 211 | 1-15/16 | 136177 | WSTU-GTM-115 | 136226 | WSTU-GT-11 | 129931 | AN-GTM-11-115 |
| | 2 | 136178 | WSTU-GTM-200 | | | 129932 | AN-GTM-11-200 |
| | 50mm | 136308 | WSTU-GTM-50M | | | 129961 | AN-GTM-11-50M |
| 212 | 2-3/16 | 136179 | WSTU-GTM-203 | 136227 | WSTU-GT-12 | 129933 | AN-GTM-12-203 |
| | 2-1/4 | 136180 | WSTU-GTM-204 | | | 129934 | AN-GTM-12-204 |
| | 55mm | 136309 | WSTU-GTM-55M | | | 129962 | AN-GTM-12-55M |
| 214 | 2-7/16 | 136181 | WSTU-GTM-207 | 136228 | WSTU-GT-14 | 129935 | AN-GTM-14-207 |
| | 2-1/2 | 136182 | WSTU-GTM-208 | | | 129936 | AN-GTM-14-208 |
| | 65mm | 136310 | WSTU-GTM-65M | | | 129963 | AN-GTM-14-65M |
| 215 | 2-11/16 | 136183 | WSTU-GTM-211 | 136229 | WSTU-GT-15 | 129937 | AN-GTM-15-211 |
| | 70mm | 136311 | WSTU-GTM-70M | | | 129964 | AN-GTM-15-70M |
| 216 | 2-15/16 | 136184 | WSTU-GTM-215 | 136230 | WSTU-GT-16 | 129938 | AN-GTM-16-215 |
| | 3 | 136185 | WSTU-GTM-300 | | | 129939 | AN-GTM-16-300 |
| | 75mm | 136312 | WSTU-GTM-75M | | | 129965 | AN-GTM-16-75M |

@ Assembled to order

| | | | |
|--------------------------------|--|------------------------|--------------------------------|
| FEATURES/BENEFITS PAGE B2-2 | HOW TO ORDER/NOMENCLATURE PAGE B2-4 | SELECTION PAGE B2-5 | RELATED PRODUCTS PAGE B2-96 |
|--------------------------------|--|------------------------|--------------------------------|

SELECTION/DIMENSIONS



GRIP TIGHT Adapter Ball Bearings GTM MEDIUM DUTY WIDE SLOT TAKE-UP BEARINGS

Bearing Quick Reference

E-Z KLEEN

GRIP TIGHT Adapter Ball Bearing

Set Screw Ball Bearing

Eccentric Collar Ball Bearing

| Series | Shaft Size | Weight lbs kg | Take-Up Frame Size | A | B | C* | D | E | F Screw Dia. | G | H | J | K | L | M* | N | R# | S# | T | Z |
|--------|-----------------|------------------|--------------------|---------|---------|--------|-------|---------|-----------------|-------|-------|-------|-------|---------|---------|---------|-------|---------|-------|---------|
| 211 | 1-15/16 2 | 11.2 | WS502 | 1-59/64 | 6-11/16 | 1-1/16 | 3-3/4 | 4-3/16 | 1-1/4 | 3/4 | 1 | 4 | 2-1/2 | 3-27/64 | 5-1/8 | 5-7/8 | 45/64 | 1-7/32 | 2-1/2 | 1-11/32 |
| | 50mm | 11.3 | | 48.8 | 169.9 | 27.0 | 95.3 | 106.4 | 31.8 | 19.1 | 25.4 | 101.6 | 63.5 | 86.9 | 130.2 | 149.2 | 17.9 | 31.0 | 63.5 | 34.0 |
| 212 | 2-3/16 2-1/4 | 12.6 | WS502 | 2-7/64 | 7-1/2 | 1-1/16 | 4 | 4-11/16 | 1-1/4 | 3/4 | 1-1/4 | 4 | 2-1/2 | 3-11/16 | 5-1/8 | 5-7/8 | 49/64 | 1-11/32 | 2-1/2 | 1-15/32 |
| | 55mm | 12.4 | | 53.6 | 190.5 | 27.0 | 101.6 | 119.1 | 31.8 | 19.1 | 31.8 | 101.6 | 63.5 | 93.7 | 130.2 | 149.2 | 19.4 | 34.1 | 63.5 | 37.1 |
| 214 | 2-7/16 2-1/2 | 19.4 | WS515 | 2-25/64 | 8-9/16 | 1-1/16 | 4-3/4 | 5-3/8 | 1-1/2 | 13/16 | 1-1/4 | 4-3/8 | 2-3/4 | 4 | 5-15/16 | 6-9/16 | 7/8 | 1-33/64 | 2-3/4 | 1-19/32 |
| | 65mm | 9.3 | | 60.7 | 217.5 | 27.0 | 120.7 | 136.5 | 38.1 | 20.6 | 31.8 | 111.1 | 69.9 | 101.6 | 150.8 | 166.7 | 22.2 | 38.5 | 69.9 | 40.5 |
| 215 | 2-11/16 70mm | 20.2 | WS515 | 2-29/64 | 9-1/8 | 1-1/16 | 4-3/4 | 5-1/2 | 1-1/2 | 13/16 | 1-1/4 | 4-3/8 | 2-3/4 | 4-7/16 | 5-15/16 | 6-11/16 | 57/64 | 1-43/64 | 2-3/4 | 1-5/8 |
| | 70mm | 8.3 | | 62.3 | 231.8 | 27.0 | 120.7 | 139.7 | 38.1 | 20.6 | 31.8 | 111.1 | 69.9 | 112.7 | 150.8 | 169.9 | 22.6 | 42.5 | 69.9 | 41.3 |
| 216 | 2-15/16 3 | 22.9 | WS608 | 2-11/16 | 9-1/8 | 1-1/16 | 4-3/4 | 5-1/2 | 1-1/2 | 13/16 | 1-1/4 | 4-3/8 | 2-3/4 | 4-11/16 | 6-1/2 | 7-1/4 | 29/32 | 1-55/64 | 2-3/4 | 1-5/8 |
| | 75mm | 9.1 | | 68.3 | 231.8 | 27.0 | 120.7 | 139.7 | 38.1 | 20.6 | 31.8 | 111.1 | 69.9 | 119.1 | 165.1 | 184.2 | 23.0 | 47.2 | 69.9 | 41.3 |

#R & S dimensions will vary slightly depending on true shaft diameter.

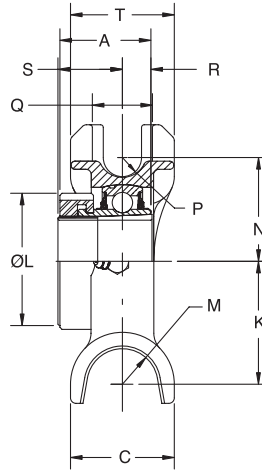
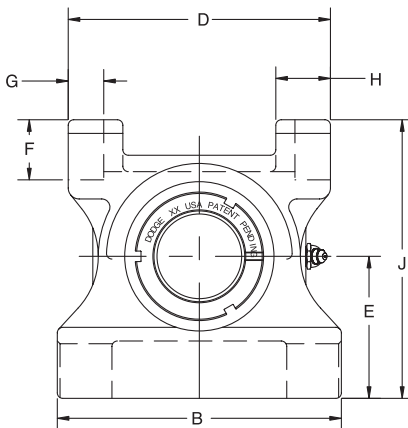
*+/- .015", +/- .38mm

| | | | |
|--------------------------------|--|------------------------|--------------------------------|
| FEATURES/BENEFITS PAGE B2-2 | HOW TO ORDER/NOMENCLATURE PAGE B2-4 | SELECTION PAGE B2-5 | RELATED PRODUCTS PAGE B2-96 |
|--------------------------------|--|------------------------|--------------------------------|

SELECTION/DIMENSIONS



GRIP TIGHT Adapter Ball Bearings GT NORMAL DUTY TOP ANGLE TAKE-UP BEARINGS



| Series | Shaft Size | Complete Unit | | Unit Without Adapter & Nut | | Adapter & Nut Assembly | |
|--------|------------|---------------|-------------|----------------------------|-------------|------------------------|---------------|
| | | Part No. | Description | Part No. | Description | Part No. | Description |
| 210 | 1-15/16 | 136152 | TP-GT-115 | 136231 | TP-GT-10 | 129918 | AN-GT-10-115 |
| | 2 | 136153 | TP-GT-200 | | | 129919 | AN-GT-10-200 |
| 211 | 2 | 136189 | TP-GTM-200 | 136232 | TP-GT-11 | 129932 | AN-GTM-11-200 |
| | 2-3/16 | 136154 | TP-GT-203 | | | 129920 | AN-GT-11-203 |
| | 2-1/4 | 136155 | TP-GT-204 | | | 129956 | AN-GT-11-204 |
| 212 | 2-1/4 | 136191 | TP-GTM-204 | 136233 | TP-GT-12 | 129934 | AN-GTM-12-204 |
| | 2-7/16 | 136156 | TP-GT-207 | | | 129921 | AN-GT-12-207 |
| 214 | 2-1/2 | 136193 | TP-GTM-208 | 136234 | TP-GT-14 | 129936 | AN-GTM-14-208 |
| | 2-11/16 | 136157 | TP-GT-211 | | | 129922 | AN-GT-14-211 |
| 215 | 2-15/16 | 136158 | TP-GT-215 | 136235 | TP-GT-15 | 129923 | AN-GT-15-215 |

@ Assembled to order

| | | | |
|--------------------------------|--|------------------------|--------------------------------|
| FEATURES/BENEFITS PAGE B2-2 | HOW TO ORDER/NOMENCLATURE PAGE B2-4 | SELECTION PAGE B2-5 | RELATED PRODUCTS PAGE B2-96 |
|--------------------------------|--|------------------------|--------------------------------|

SELECTION/DIMENSIONS



GRIP TIGHT Adapter Ball Bearings GT NORMAL DUTY TOP ANGLE TAKE-UP BEARINGS

Bearing Quick Reference

E-Z KLEEN

GRIP TIGHT Adapter Ball Bearing

Set Screw Ball Bearing

Eccentric Collar Ball Bearing

| Series | Shaft Size | Weight lbs | Take-Up Frame Size | A | B | C | D | E | J | L | R# | S# | T | Z |
|--------|------------------|--------------|--------------------|---------|-------|-------|-------|-------|--------|---------|-------|---------|-------|---------|
| 210 | 1-15/16 2 | 11.4 11.2 | TP10 | 1-55/64 | 6-1/2 | 2-3/8 | 6 | 3-1/4 | 6-3/8 | 3-1/8 | 21/32 | 1-13/64 | 2-3/8 | 1-9/32 |
| 211 | 2-3/16 2-1/4 | 13.7 13.2 | TP20 | 1-59/64 | 7 | 2-1/2 | 6-3/4 | 3-3/8 | 6-7/8 | 3-27/64 | 45/64 | 1-7/32 | 2-3/8 | 1-11/32 |
| 212 | 2-1/4 2-7/16 | 17.2 17.1 | TP30 | 2-7/64 | 7-1/2 | 2-3/4 | 7 | 3-1/2 | 7-7/16 | 3-11/16 | 49/64 | 1-11/32 | 2-3/4 | 1-15/32 |
| 214 | 2-1/2 2-11/16 | 22.5 22.3 | TP40 | 2-25/64 | 8-1/2 | 2-1/2 | 8 | 4 | 8-5/16 | 4 | 7/8 | 1-33/64 | 2-3/4 | 1-19/32 |
| 215 | 2-15/16 | 22.4 | TP40 | 2-29/64 | 8-1/2 | 2-1/2 | 8 | 4 | 8-5/16 | 4-7/16 | 57/64 | 1-43/64 | 2-3/4 | 1-5/8 |

Lube fitting thread size - 1/8-27 NPT

#R & S dimensions will vary slightly depending on true shaft diameter.

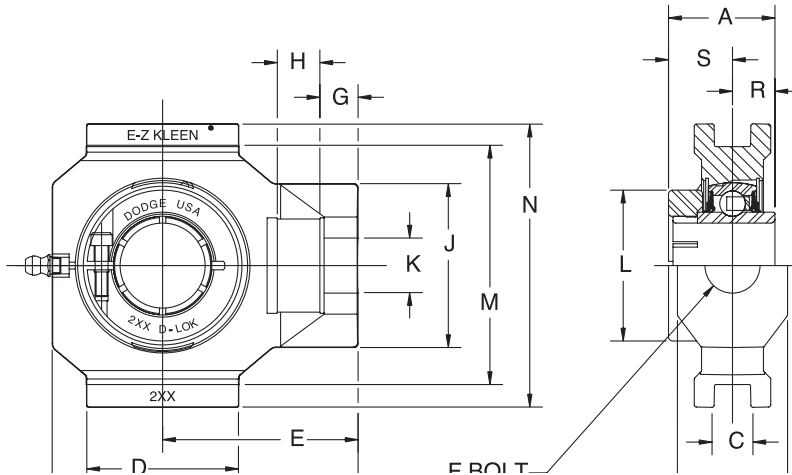
| | | | |
|--------------------------------|--|------------------------|--------------------------------|
| FEATURES/BENEFITS PAGE B2-2 | HOW TO ORDER/NOMENCLATURE PAGE B2-4 | SELECTION PAGE B2-5 | RELATED PRODUCTS PAGE B2-96 |
|--------------------------------|--|------------------------|--------------------------------|

SELECTION/DIMENSIONS

DODGE®



GRIP TIGHT Adapter Ball Bearings GTM MEDIUM DUTY TOP ANGLE TAKE-UP BEARINGS



| Series | Shaft Size | Complete Unit | | Unit Without Adapter & Nut | | Adapter & Nut Assembly | |
|--------|------------|---------------|-------------|----------------------------|-------------|------------------------|---------------|
| | | Part No. | Description | Part No. | Description | Part No. | Description |
| 210 | 1-11/16 | 136186 | TP-GTM 111 | 136231 | TP-GT-10 | 129929 | AN-GTM-10-111 |
| | 1-3/4 | 136187 | TP-GTM-112 | | | 129930 | AN-GTM-10-112 |
| 211 | 1-15/16 | 136188 | TP-GTM 115 | 136232 | TP-GT-11 | 129931 | AN-GTM-11-115 |
| | 2 | 136189 | TP-GTM-200 | | | 129932 | AN-GTM-11-200 |
| 212 | 2-3/16 | 136190 | TP-GTM-203 | 136233 | TP-GT-12 | 129933 | AN-GTM-12-203 |
| | 2-1/4 | 136191 | TP-GTM-204 | | | 129934 | AN-GTM-12-204 |
| 214 | 2-7/16 | 136192 | TP-GTM-207 | 136234 | TP-GT-14 | 129935 | AN-GTM-14-207 |
| | 2-1/2 | 136193 | TP-GTM-208 | | | 129936 | AN-GTM-14-208 |
| 215 | 2-11/16 | 136194 | TP-GM-211 | 136235 | TP-GT-15 | 129937 | AN-GTM-15-211 |
| 216 | 2-5/16 | 136195 | TP-GTM 215 | 136236 | TP-GT-16 | 129938 | AN-GTM-16-215 |
| | 3 | 136196 | TP-GTM-300 | | | 129939 | AN-GTM-16-300 |
| 218 | 3-7/16 | 136197 | TP-GTM-307 | 136237 | TP-GT-18 | 129940 | AN-GTM-18-307 |
| | 3-1/2 | 136198 | TP-GTM-308 | | | 129941 | AN-GTM-18-308 |

FEATURES/BENEFITS
PAGE B2-2

HOW TO ORDER/NOMENCLATURE
PAGE B2-4

SELECTION
PAGE B2-5

RELATED PRODUCTS
PAGE B2-96

SELECTION/DIMENSIONS



GRIP TIGHT Adapter Ball Bearings GTM MEDIUM DUTY TOP ANGLE TAKE-UP BEARINGS

| Series | Shaft Size | Weight lbs | Take-Up Frame Size | A | B | C | D | E | J | L | R# | S# | T | Z |
|--------|-------------------|--------------|--------------------|---------|-------|-------|--------|-------|--------|---------|-------|---------|-------|---------|
| 210 | 1-11/16 1 -3/4 | 11.6 11.2 | TP10 | 1-55/64 | 6-1/2 | 2-3/8 | 6 | 3-1/4 | 6-3/8 | 3-1/8 | 21/32 | 1-13/64 | 2-3/8 | 1-9/32 |
| 211 | 1-15/16 2 | 14.0 13.7 | TP20 | 1-59/64 | 7 | 2-1/2 | 6-3/4 | 3-3/8 | 6-7/8 | 3-27/64 | 45/64 | 1-7/32 | 2-3/8 | 1-11/32 |
| 212 | 2 -3/16 2-1/4 | 17.4 17.2 | TP30 | 2-7/64 | 7-1/2 | 2-3/4 | 7 | 3-1/2 | 7-7/16 | 3-11/16 | 49/64 | 1-11/32 | 2-3/4 | 1-15/32 |
| 214 | 2-7/16 2-1/2 | 22.9 22.5 | TP40 | 2-25/64 | 8-1/2 | 2-1/2 | 8 | 4 | 8-5/16 | 4 | 7/8 | 1-33/64 | 2-3/4 | 1-19/32 |
| 215 | 2-11/16 | 26.2 | TP40 | 2-29/64 | 8-1/2 | 2-1/2 | 8 | 4 | 8-5/16 | 4-7/16 | 57/64 | 1-43/64 | 2-3/4 | 1-5/8 |
| 216 | 2 -15/16 3 | 31.0 30.7 | TP50 | 2-11/16 | 9-1/2 | 2-3/4 | 9 | 4-1/2 | 9-5/8 | 4-11/16 | 29/32 | 1-55/64 | 3-1/8 | 1-5/8 |
| 218 | 3-7/16 3-1/2 | 41.4 41.1 | TP50 | 2-51/64 | 11 | 3-1/8 | 10-1/2 | 5-1/2 | 11 | 5-3/16 | 1 | 1-51/64 | 3-1/8 | 1-45/64 |

Lube fitting thread size - 1/8-27 NPT

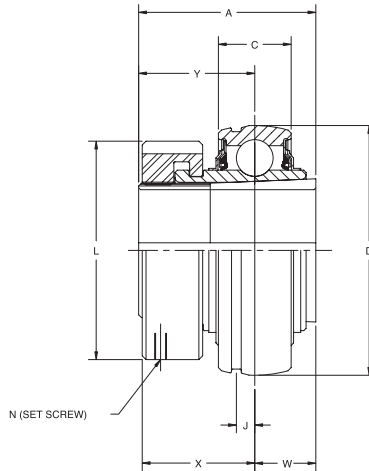
#R & S dimensions will vary slightly depending on true shaft diameter.

| | | | |
|--------------------------------|--|------------------------|--------------------------------|
| FEATURES/BENEFITS PAGE B2-2 | HOW TO ORDER/NOMENCLATURE PAGE B2-4 | SELECTION PAGE B2-5 | RELATED PRODUCTS PAGE B2-96 |
|--------------------------------|--|------------------------|--------------------------------|

SELECTION/DIMENSIONS



GRIP TIGHT Adapter Ball Bearings GT NORMAL DUTY BEARING INSERTS



| Series | Shaft Size | Complete Unit | | Unit without Adapter Sleeve & Lock Nut | | Adapter Sleeve & Lock Nut Assembly | |
|--------|------------|---------------|-------------|--|-------------|------------------------------------|---------------|
| | | Part No. | Description | Part No. | Description | Part No. | Description |
| 203 | 1/2 | 129774 | INS-GT-008 | 129516 | INS-GT-03 | 129902 | AN-GT-03-008 |
| | 5/8 | 129775 | INS-GT-010 | | | 129903 | AN-GT-03-010 |
| | 17mm | 129796 | INS-GT-17M | | | 129942 | AN-GT-03-17M |
| 204 | 3/4 | 129776 | INS-GT-012 | 129517 | INS-GT-04 | 129904 | AN-GT-04-012 |
| | 20mm | 129797 | INS-GT-20M | | | 129943 | AN-GT-04-20M |
| 205 | 7/8 | 129777 | INS-GT-014 | 129518 | INS-GT-05 | 129905 | AN-GT-05-014 |
| | 15/16 | 129778 | INS-GT-015 | | | 129906 | AN-GT-05-015 |
| | 1 | 129779 | INS-GT-100 | | | 129907 | AN-GT-05-100 |
| | 25mm | 129798 | INS-GT-25M | | | 129944 | AN-GT-05-25M |
| 206 | 1-1/8 | 129780 | INS-GT-102 | 129519 | INS-GT-06 | 129908 | AN-GT-06-102 |
| | 1-3/16 | 129781 | INS-GT-103 | | | 129909 | AN-GT-06-103 |
| | 1-1/4 | 129782 | INS-GT-104S | | | 129910 | AN-GT-06-104S |
| | 30mm | 129799 | INS-GT-30M | | | 129945 | AN-GT-06-30M |
| 207 | 1-1/4 | 129783 | INS-GT-104 | 129520 | INS-GT-07 | 129911 | AN-GT-07-104 |
| | 1-3/8 | 129784 | INS-GT-106 | | | 129912 | AN-GT-07-106 |
| | 1-7/16 | 129785 | INS-GT-107 | | | 129913 | AN-GT-07-107 |
| | 35mm | 129800 | INS-GT-35M | | | 129946 | AN-GT-07-35M |

@ Assembled to order.

| | | | |
|--------------------------------|--|------------------------|--------------------------------|
| FEATURES/BENEFITS PAGE B2-2 | HOW TO ORDER/NOMENCLATURE PAGE B2-4 | SELECTION PAGE B2-5 | RELATED PRODUCTS PAGE B2-96 |
|--------------------------------|--|------------------------|--------------------------------|

SELECTION/DIMENSIONS



GRIP TIGHT Adapter Ball Bearings GT NORMAL DUTY BEARING INSERTS

Bearing Quick Reference

E-Z KLEEN

GRIP TIGHT Adapter Ball Bearing

Set Screw Ball Bearing

Eccentric Collar Ball Bearing

| Series | Shaft Size | Weight lbs kg | A | C | D | J | L | N SetScrew (UNF) | W# | X | Y# |
|--------|-------------|---------------------|---------|--------|--------|-------|---------|------------------------|-------|--------|--------|
| 203 | 1/2 | 0.3 | 1-11/32 | 0.5110 | 1.5748 | 0.150 | 1-13/32 | #10-32 x 1/4 | 13/32 | 59/64 | 15/16 |
| | 5/8 17mm | 0.3 0.1 | 34.1 | 13.0 | 40.0 | 3.8 | 35.7 | | 10.3 | 23.4 | 23.8 |
| 204 | 3/4 | 0.6 | 1-15/32 | 0.5906 | 1.8504 | 0.152 | 1-1/2 | #10-32 x 1/4 | 31/64 | 63/64 | 63/64 |
| | 20mm | 0.3 | 37.3 | 15.0 | 47.0 | 3.9 | 38.1 | | 12.3 | 25.0 | 25.0 |
| 205 | 7/8 | 0.8 | 1-29/64 | 0.5906 | 2.0472 | 0.152 | 1-51/64 | #10-32 x 1/4 | 1/2 | 61/64 | 61/64 |
| | 15/16 | 0.8 | | | | | | | | | |
| | 1 25mm | 0.8 0.4 | | | | | | | 36.9 | | |
| 206 | 1-1/8 | 1.2 | 1-39/64 | 0.7087 | 2.4409 | 0.190 | 2 | #10-32 x 1/4 | 17/32 | 1-1/32 | 1-5/64 |
| | 1-3/16 | 1.2 | | | | | | | | | |
| | 1-1/4 | 1.1 | | | | | | | | | |
| | 30mm | 0.6 | | | | | | | 40.9 | | |
| 207 | 1-1/4 | 1.8 | 1-5/8 | 0.7480 | 2.8346 | 0.202 | 2-19/64 | #10-32 x 1/4 | 9/16 | 1-3/64 | 1-1/16 |
| | 1-3/8 | 1.8 | | | | | | | | | |
| | 1-7/16 | 1.7 | | | | | | | | | |
| | 35mm | 0.8 | | | | | | | 41.3 | | |

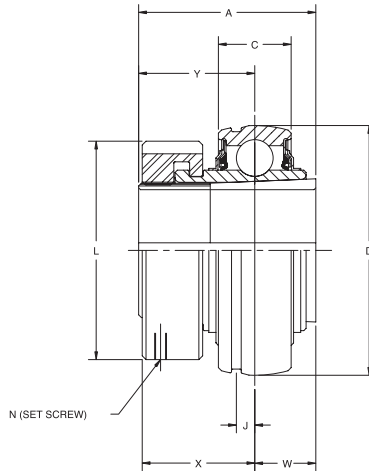
#W & Y dimensions will vary slightly depending on true shaft diameter.

| | | | |
|--------------------------------|--|------------------------|--------------------------------|
| FEATURES/BENEFITS PAGE B2-2 | HOW TO ORDER/NOMENCLATURE PAGE B2-4 | SELECTION PAGE B2-5 | RELATED PRODUCTS PAGE B2-96 |
|--------------------------------|--|------------------------|--------------------------------|

SELECTION/DIMENSIONS



GRIP TIGHT Adapter Ball Bearings GT NORMAL DUTY BEARING INSERTS



| Series | Shaft Size | Complete Unit | | Unit without Adapter Sleeve & Lock Nut | | Adapter Sleeve & Lock Nut Assembly | |
|--------|------------|---------------|-------------|--|-------------|------------------------------------|---------------|
| | | Part No. | Description | Part No. | Description | Part No. | Description |
| 208 | 1-1/2 | 129786 | INS-GT-108 | 129521 | INS-GT-08 | 129914 | AN-GT-08-108 |
| | 1-5/8 | 129844 | INS-GT-110 | | | 129955 | AN-GT-08-110 |
| | 40mm | 129801 | INS-GT-40M | | | 129947 | AN-GT-08-40M |
| 209 | 1-5/8 | 129787 | INS-GT-110L | 129522 | INS-GT-09 | 129915 | AN-GT-09-110L |
| | 1-11/16 | 129788 | INS-GT-111 | | | 129916 | AN-GT-09-111 |
| | 1-3/4 | 129789 | INS-GT-112 | | | 129917 | AN-GT-09-112 |
| | 45mm | 129802 | INS-GT-45M | | | 129948 | AN-GT-09-45M |
| 210 | 1-15/16 | 129790 | INS-GT-115 | 129523 | INS-GT-10 | 129918 | AN-GT-10-115 |
| | 2 | 129791 | INS-GT-200 | | | 129919 | AN-GT-10-200 |
| | 50mm | 129803 | INS-GT-50M | | | 129949 | AN-GT-10-50M |
| 211 | 2 | 129815 | INS-GTM-200 | 129524 | INS-GT-11 | 129932 | AN-GTM-11-200 |
| | 2-3/16 | 129792 | INS-GT-203 | | | 129920 | AN-GT-11-203 |
| | 2-1/4 | 129845 | INS-GT-204 | | | 129956 | AN-GT-11-204 |
| | 55mm | 129804 | INS-GT-55M | | | 129950 | AN-GT-11-55M |
| 212 | 2-1/4 | 129817 | INS-GTM-204 | 129525 | INS-GT-12 | 129934 | AN-GTM-12-204 |
| | 2-7/16 | 129793 | INS-GT-207 | | | 129921 | AN-GT-12-207 |
| | 60mm | 129805 | INS-GT-60M | | | 129951 | AN-GT-12-60M |
| 214 | 2-1/2 | 129819 | INS-GTM-208 | 129526 | INS-GT-14 | 129936 | AN-GTM-14-208 |
| | 2-11/16 | 129794 | INS-GT-211 | | | 129922 | AN-GT-14-211 |
| | 70mm | 129806 | INS-GT-70M | | | 129952 | AN-GT-14-70M |
| 215 | 2-15/16 | 129795 | INS-GT-215 | 129527 | INS-GT-15 | 129923 | AN-GT-15-215 |
| | 3 | @ | INS-GT-300 | | | 129987 | AN-GT-15-300 |
| | 75mm | 129807 | INS-GT-75M | | | 129953 | AN-GT-15-75M |

@ Assembled to order.

| | | | |
|--------------------------------|--|------------------------|--------------------------------|
| FEATURES/BENEFITS PAGE B2-2 | HOW TO ORDER/NOMENCLATURE PAGE B2-4 | SELECTION PAGE B2-5 | RELATED PRODUCTS PAGE B2-96 |
|--------------------------------|--|------------------------|--------------------------------|

SELECTION/DIMENSIONS



GRIP TIGHT Adapter Ball Bearings GT NORMAL DUTY BEARING INSERTS

| Series | Shaft Size | Weight lbs kg | A | C | D | J | L | N SetScrew (UNF) | W# | X | Y# |
|--------|------------|---------------------|---------|--------|--------|-------|---------|------------------------|-------|---------|---------|
| 208 | 1-1/2 | 2.2 | 1-27/32 | 0.8661 | 3.1496 | 0.224 | 2-1/2 | #10-32 x 1/4 | 21/32 | 1-9/64 | 1-3/16 |
| | 1-5/8 | 2.0 | | | | | | | 16.7 | 29.0 | 30.2 |
| | 40mm | 1.0 | 46.8 | 22.0 | 80.0 | 5.7 | 63.5 | | | | |
| 209 | 1-5/8 | 2.5 | 1-27/32 | 0.8661 | 3.3465 | 0.248 | 2-43/64 | #10-32 x 1/4 | 21/32 | 1-5/32 | 1-3/16 |
| | 1-11/16 | 2.5 | | | | | | | 16.7 | 29.4 | 30.2 |
| | 1-3/4 | 2.5 | 46.8 | 22.0 | 85.0 | 6.3 | 67.9 | | | | |
| 210 | 1-15/16 | 3.0 | 1-55/64 | 0.8661 | 3.5433 | 0.248 | 2-15/16 | #10-32 x 1/4 | 21/32 | 1-5/32 | 1-13/64 |
| | 2 | 3.0 | | | | | | | 16.7 | 29.4 | 30.6 |
| | 50mm | 1.4 | 47.2 | 22.0 | 90.0 | 6.3 | 74.6 | | | | |
| 211 | 2 | 3.6 | 1-59/64 | 0.9449 | 3.9370 | 0.267 | 3-1/4 | #10-32 x 1/4 | 45/64 | 1-3/16 | 1-7/32 |
| | 2-3/16 | 3.4 | | | | | | | 17.9 | 30.2 | 31.0 |
| | 2-1/4 | 3.3 | 48.8 | 24.0 | 100.0 | 6.8 | 82.6 | | | | |
| 212 | 2-1/4 | 4.8 | 2-7/64 | 1.0240 | 4.3307 | 0.250 | 3-1/2 | #10-32 x 1/4 | 49/64 | 1-5/16 | 1-11/32 |
| | 2-7/16 | 4.8 | | | | | | | 19.4 | 33.3 | 34.1 |
| | 60mm | 2.2 | 53.6 | 26.0 | 110.0 | 6.4 | 88.9 | | | | |
| 214 | 2-1/2 | 5.4 | 2-25/64 | 1.1020 | 4.9213 | 0.265 | 3-13/16 | #10-32 x 1/4 | 7/8 | 1-15/32 | 1-33/64 |
| | 2-11/16 | 5.0 | | | | | | | 22.2 | 37.3 | 38.5 |
| | 70mm | 2.5 | 60.7 | 28.0 | 125.0 | 6.7 | 96.8 | | | | |
| 215 | 2-15/16 | 5.9 | 2-9/16 | 1.1420 | 5.1181 | 0.265 | 4-1/4 | #10-32 x 1/4 | 57/64 | 1-5/8 | 1-43/64 |
| | 3 | 5.7 | | | | | | | 22.6 | 41.3 | 42.5 |
| | 75mm | 2.7 | 65.1 | 29.0 | 130.0 | 6.7 | 108.0 | | | | |

#W & Y dimensions will vary slightly depending on true shaft diameter.

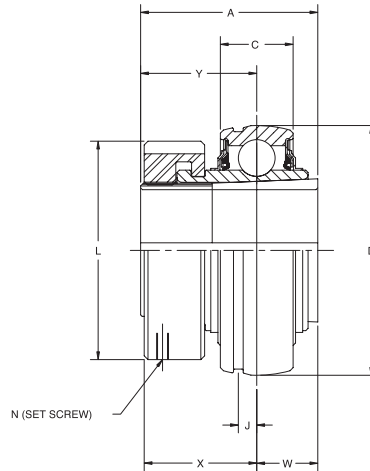
| | | | |
|--------------------------------|--|------------------------|--------------------------------|
| FEATURES/BENEFITS PAGE B2-2 | HOW TO ORDER/NOMENCLATURE PAGE B2-4 | SELECTION PAGE B2-5 | RELATED PRODUCTS PAGE B2-96 |
|--------------------------------|--|------------------------|--------------------------------|

SELECTION/DIMENSIONS

DODGE®



GRIP TIGHT Adapter Ball Bearings GTM MEDIUM DUTY BEARING INSERTS



| Series | Shaft Size | Complete Unit | | Unit without Adapter Sleeve & Lock Nut | | Adapter Sleeve & Lock Nut Assembly | |
|--------|------------|---------------|-------------|--|-------------|------------------------------------|---------------|
| | | Part No. | Description | Part No. | Description | Part No. | Description |
| 205 | 3/4 | 129417 | INS-GTM-012 | 129518 | INS-GT-05 | 129924 | AN-GTM-05-012 |
| 206 | 1 25mm | 129808 | INS-GTM-100 | 129519 | INS-GT-06 | 129925 | AN-GTM-06-100 |
| | | 129889 | INS-GTM-25M | | | 129957 | AN-GTM-06-25M |
| 207 | 1-3/16 | 129809 | INS-GTM-103 | 129520 | INS-GT-07 | 129926 | AN-GTM-07-103 |
| | 1-1/4 | 129783 | INS-GT-104 | | | 129911 | AN-GT-07-104 |
| | 30mm | 129890 | INS-GTM-30M | | | 129954 | AN-GTM-07-30M |
| 208 | 1-7/16 | 129810 | INS-GTM-107 | 129521 | INS-GT-08 | 129927 | AN-GTM-08-107 |
| | 35mm | 129891 | INS-GTM-35M | | | 129958 | AN-GTM-08-35M |
| 209 | 1-1/2 | 129811 | INS-GTM-108 | 129522 | INS-GT-09 | 129928 | AN-GTM-09-108 |
| | 1-5/8 | 129787 | INS-GT-110L | | | 129959 | AN-GTM-09-40M |
| | 40mm | 129892 | INS-GTM-40M | | | | |
| 210 | 1-11/16 | 129812 | INS-GTM-111 | 129523 | INS-GT-10 | 129929 | AN-GTM-10-111 |
| | 1-3/4 | 129813 | INS-GTM-112 | | | 129930 | AN-GTM-10-112 |
| | 45mm | 129893 | INS-GTM-45M | | | 129960 | AN-GTM-10-45M |

@ Assembled to order.

FEATURES/BENEFITS
PAGE B2-2

HOW TO ORDER/NOMENCLATURE
PAGE B2-4

SELECTION
PAGE B2-5

RELATED PRODUCTS
PAGE B2-96

SELECTION/DIMENSIONS



GRIP TIGHT Adapter Ball Bearings GTM MEDIUM DUTY BEARING INSERTS

Bearing Quick Reference

E-Z KLEEN

GRIP TIGHT Adapter Ball Bearing

Set Screw Ball Bearing

Eccentric Collar Ball Bearing

| Series | Shaft Size | Weight lbs kg | A | C | D | J | L | N SetScrew (UNF) | W# | X | Y# |
|--------|------------|---------------------|---------|--------|--------|-------|---------|------------------------|-------|--------|---------|
| 205 | 3/4 | 0.9 | 1-29/64 | 0.5906 | 2.0472 | 0.152 | 1-51/64 | #10-32 x 1/4 | 1/2 | 61/64 | 61/64 |
| 206 | 1 | 1.8 | 1-39/64 | 0.7087 | 2.4409 | 0.190 | 2 | #10-32 x 1/4 | 17/32 | 1-1/32 | 1-5/64 |
| | 25mm | 0.8 | 40.9 | 18.0 | 62.0 | 4.8 | 51.0 | | 13.5 | 26.2 | 27.4 |
| 207 | 1-3/16 | 2.2 | 1-5/8 | 0.7480 | 2.8346 | 0.202 | 2-19/64 | #10-32 x 1/4 | 9/16 | 1-3/64 | 1-1/16 |
| | 1-1/4 | 1.7 | | | | | | | 14.3 | 26.6 | 27.0 |
| | 30mm | 1.0 | 41.3 | 19.0 | 72.0 | 5.1 | 58.3 | | | | |
| 208 | 1-7/16 | 2.5 | 1-27/32 | 0.8661 | 3.1496 | 0.224 | 2-1/2 | #10-32 x 1/4 | 21/32 | 1-9/64 | 1-3/16 |
| | 35mm | 1.1 | 46.8 | 22.0 | 80.0 | 5.7 | 63.5 | | 16.7 | 29.0 | 30.2 |
| 209 | 1-1/2 | 3.0 | 1-55/64 | 0.8661 | 3.3465 | 0.248 | 2-43/64 | #10-32 x 1/4 | 21/32 | 1-5/32 | 1-3/16 |
| | 1-5/8 | 2.5 | | | | | | | 16.7 | 29.4 | 30.2 |
| | 40mm | 1.1 | 47.2 | 22.0 | 85.0 | 6.3 | 67.9 | | | | |
| 210 | 1-11/16 | 3.0 | 1-55/64 | 0.8661 | 3.5433 | 0.248 | 2-15/16 | #10-32 x 1/4 | 21/32 | 1-5/32 | 1-13/64 |
| | 1-3/4 | 3.0 | | | | | | | 16.7 | 29.4 | 30.6 |
| | 45mm | 1.4 | 47.2 | 22.0 | 90.0 | 6.3 | 74.6 | | | | |

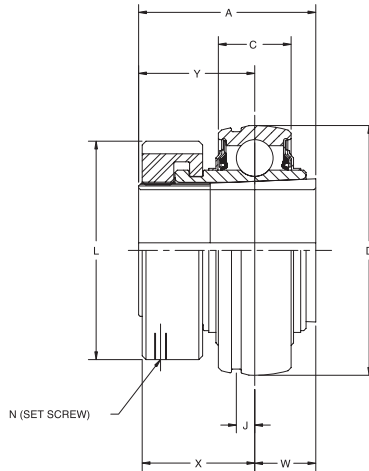
#W & Y dimensions will vary slightly depending on true shaft diameter.

| | | | |
|--------------------------------|--|------------------------|--------------------------------|
| FEATURES/BENEFITS PAGE B2-2 | HOW TO ORDER/NOMENCLATURE PAGE B2-4 | SELECTION PAGE B2-5 | RELATED PRODUCTS PAGE B2-96 |
|--------------------------------|--|------------------------|--------------------------------|

SELECTION/DIMENSIONS



GRIP TIGHT Adapter Ball Bearings GTM MEDIUM DUTY BEARING INSERTS



| Series | Shaft Size | Complete Unit | | Unit without Adapter Sleeve & Lock Nut | | Adapter Sleeve & Lock Nut Assembly | |
|--------|-------------------------|---------------|-------------|--|-------------|------------------------------------|---------------|
| | | Part No. | Description | Part No. | Description | Part No. | Description |
| 211 | 1-15/16 2 50mm | 129814 | INS-GTM-115 | 129524 | INS-GT-11 | 129931 | AN-GTM-11-115 |
| | | 129815 | INS-GTM-200 | | | 129932 | AN-GTM-11-200 |
| | | 129894 | INS-GTM-50M | | | 129961 | AN-GTM-11-50M |
| 212 | 2-3/16 2-1/4 55mm | 129816 | INS-GTM-203 | 129525 | INS-GT-12 | 129933 | AN-GTM-12-203 |
| | | 129817 | INS-GTM-204 | | | 129934 | AN-GTM-12-204 |
| | | 129895 | INS-GTM-55M | | | 129962 | AN-GTM-12-55M |
| 214 | 2-7/16 2-1/2 65mm | 129818 | INS-GTM-207 | 129526 | INS-GT-14 | 129935 | AN-GTM-14-207 |
| | | 129819 | INS-GTM-208 | | | 129936 | AN-GTM-14-208 |
| | | 129896 | INS-GTM-65M | | | 129963 | AN-GTM-14-65M |
| 215 | 2-11/16 70mm | 129820 | INS-GTM-211 | 129527 | INS-GT-15 | 129937 | AN-GTM-15-211 |
| | | 129897 | INS-GTM-70M | | | 129964 | AN-GTM-15-70M |
| 216 | 2-15/16 3 75mm | 129821 | INS-GTM-215 | 129528 | INS-GT-16 | 129938 | AN-GTM-16-215 |
| | | 129822 | INS-GTM-300 | | | 129939 | AN-GTM-16-300 |
| | | 129898 | INS-GTM-75M | | | 129965 | AN-GTM-16-75M |
| 218 | 3-7/16 3-1/2 85mm | 129823 | INS-GTM-307 | 129529 | INS-GT-18 | 129940 | AN-GTM-18-307 |
| | | 129824 | INS-GTM-308 | | | 129941 | AN-GTM-18-308 |
| | | 129899 | INS-GTM-85M | | | 129966 | AN-GTM-18-85M |

@ Assembled to order.

| | | | |
|--------------------------------|--|------------------------|--------------------------------|
| FEATURES/BENEFITS PAGE B2-2 | HOW TO ORDER/NOMENCLATURE PAGE B2-4 | SELECTION PAGE B2-5 | RELATED PRODUCTS PAGE B2-96 |
|--------------------------------|--|------------------------|--------------------------------|

SELECTION/DIMENSIONS



GRIP TIGHT Adapter Ball Bearings GTM MEDIUM DUTY BEARING INSERTS

Bearing Quick Reference

E-Z KLEEN

GRIP TIGHT Adapter Ball Bearing

Set Screw Ball Bearing

Eccentric Collar Ball Bearing

| Series | Shaft Size | Weight lbs kg | A | C | D | J | L | N SetScrew (UNF) | W# | X | Y# |
|--------|------------|---------------------|---------|--------|--------|-------|---------|------------------------|-------|---------|---------|
| 211 | 1-15/16 | 3.4 | 1-59/64 | 0.9449 | 3.9370 | 0.267 | 3-1/4 | #10-32 x 1/4 | 45/64 | 1-3/16 | 1-7/32 |
| | 2 | 3.3 | | | | | | | 17.9 | 30.2 | 31.0 |
| | 50mm | 1.5 | 48.8 | 24.0 | 100.0 | 6.8 | 82.6 | | | | |
| 212 | 2-3/16 | 4.9 | 2-7/64 | 1.0240 | 4.3307 | 0.250 | 3-1/2 | #10-32 x 1/4 | 49/64 | 1-5/16 | 1-11/32 |
| | 2-1/4 | 4.8 | | | | | | | 19.4 | 33.3 | 34.1 |
| | 55mm | 2.2 | 53.6 | 26.0 | 110.0 | 6.4 | 88.9 | | | | |
| 214 | 2-7/16 | 5.5 | 2-25/64 | 1.1020 | 4.9213 | 0.265 | 3-13/16 | #10-32 x 1/4 | 7/8 | 1-15/32 | 1-33/64 |
| | 2-1/2 | 5.4 | | | | | | | 22.2 | 37.3 | 38.5 |
| | 65mm | 2.5 | 60.7 | 28.0 | 125.0 | 6.7 | 96.8 | | | | |
| 215 | 2-11/16 | 5.9 | 2-9/16 | 1.1420 | 5.1181 | 0.265 | 4-1/4 | #10-32 x 1/4 | 57/64 | 1-5/8 | 1-43/64 |
| | 70mm | 2.7 | 65.1 | 29.0 | 130.0 | 6.7 | 108.0 | | 22.6 | 41.3 | 42.5 |
| 216 | 2-15/16 | 6.9 | 2-49/64 | 1.1810 | 5.5118 | 0.285 | 4-1/2 | #10-32 x 1/4 | 29/32 | 1-51/64 | 1-55/64 |
| | 3 | 6.8 | | | | | | | 23.0 | 45.6 | 47.2 |
| 218 | 3-7/16 | 8.8 | 2-51/64 | 1.3400 | 6.2992 | 0.300 | 5 | #10-32 x 1/4 | 1 | 1-3/4 | 1-51/64 |
| | 3-1/2 | 8.7 | | | | | | | 25.3 | 44.5 | 45.6 |
| | 85mm | 4.0 | 71.0 | 34.0 | 160.0 | 7.6 | 127.0 | | | | |

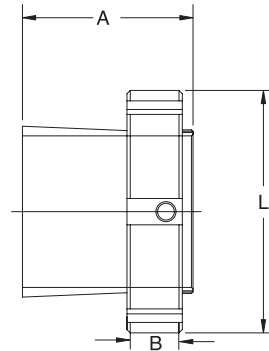
#W & Y dimensions will vary slightly depending on true shaft diameter.

| | | | |
|--------------------------------|--|------------------------|--------------------------------|
| FEATURES/BENEFITS PAGE B2-2 | HOW TO ORDER/NOMENCLATURE PAGE B2-4 | SELECTION PAGE B2-5 | RELATED PRODUCTS PAGE B2-96 |
|--------------------------------|--|------------------------|--------------------------------|

SELECTION/DIMENSIONS



GRIP TIGHT Adapter Ball Bearings GT AND GTM ADAPTER & LOCK NUT ASSEMBLIES



| Series | Shaft Size | Adapter Sleeve & Lock Nut Assembly | |
|--------|------------|------------------------------------|---------------|
| | | Part No. | Description |
| 203 | 1/2 | 129902 | AN-GT-03-008 |
| | 5/8 | 129903 | AN-GT-03-010 |
| | 17mm | 129942 | AN-GT-03-17M |
| 204 | 3/4 | 129904 | AN-GT-04-012 |
| | 20mm | 129943 | AN-GT-04-20M |
| 205 | 3/4 | 129924 | AN-GTM-05-012 |
| | 7/8 | 129905 | AN-GT-05-014 |
| | 15/16 | 129906 | AN-GT-05-015 |
| | 1 | 129907 | AN-GT-05-100 |
| | 25mm | 129944 | AN-GT-05-25M |
| 206 | 1 | 129925 | AN-GTM-06-100 |
| | 1-1/8 | 129908 | AN-GT-06-102 |
| | 1-3/16 | 129909 | AN-GT-06-103 |
| | 1-1/4 | 129910 | AN-GT-06-104S |
| | 25mm | 129957 | AN-GTM-06-25M |
| 207 | 30mm | 129945 | AN-GT-06-30M |
| | 1-3/16 | 129926 | AN-GTM-07-103 |
| | 1-1/4 | 129911 | AN-GT-07-104 |
| | 1-3/8 | 129912 | AN-GT-07-106 |
| | 1-7/16 | 129913 | AN-GT-07-107 |
| 208 | 30mm | 129954 | AN-GTM-07-30M |
| | 35mm | 129946 | AN-GT-07-35M |
| | 1-7/16 | 129927 | AN-GTM-08-107 |
| | 1-1/2 | 129914 | AN-GT-08-108 |
| | 1-5/8 | 129955 | AN-GT-08-110 |
| 209 | 35mm | 129958 | AN-GTM-08-35M |
| | 40mm | 129947 | AN-GT-08-40M |
| | 1-1/2 | 129928 | AN-GTM-09-108 |
| | 1-5/8 | 129915 | AN-GT-09-110L |
| | 1-11/16 | 129916 | AN-GT-09-111 |
| 210 | 1-3/4 | 129903 | AN-GTM-10-111 |
| | 1-15/16 | 129918 | AN-GTM-10-115 |
| | 2 | 129919 | AN-GT-10-200 |
| | 45mm | 129960 | AN-GTM-10-45M |
| | 50mm | 129949 | AN-GT-10-50M |
| 211 | 1-15/16 | 129931 | AN-GTM-11-115 |
| | 2 | 129932 | AN-GTM-11-200 |
| | 2-3/16 | 129920 | AN-GT-11-203 |
| | 2-1/4 | 129956 | AN-GT-11-204 |
| | 50mm | 129961 | AN-GTM-11-50M |
| 212 | 55mm | 129950 | AN-GT-11-55M |
| | 2-3/16 | 129933 | AN-GTM-12-203 |
| | 2-1/4 | 129934 | AN-GTM-12-204 |
| | 2-7/16 | 129921 | AN-GT-12-207 |
| | 55mm | 129962 | AN-GTM-12-55M |
| 214 | 60mm | 129951 | AN-GT-12-60M |
| | 2-7/16 | 129935 | AN-GTM-14-207 |
| | 2-1/2 | 129936 | AN-GTM-14-208 |
| | 2-11/16 | 129922 | AN-GT-14-211 |
| | 65mm | 129963 | AN-GTM-14-65M |
| 215 | 70mm | 129952 | AN-GT-14-70M |
| | 2-11/16 | 129937 | AN-GTM-15-211 |
| | 2-15/16 | 129923 | AN-GT-15-215 |
| | 3 | 129987 | AN-GT-15-300 |
| | 70mm | 129964 | AN-GTM-15-70M |
| 216 | 75mm | 129953 | AN-GT-15-75M |
| | 2-15/16 | 129938 | AN-GTM-16-215 |
| | 3 | 129939 | AN-GTM-16-300 |
| | 75mm | 129965 | AN-GTM-16-75M |
| | 218 | 3-7/16 | 129940 |
| 3-1/2 | | 129941 | AN-GTM-18-308 |
| 85mm | | 129966 | AN-GTM-18-85M |

| Series | Shaft Size | Adapter Sleeve & Lock Nut Assembly | |
|--------|------------|------------------------------------|---------------|
| | | Part No. | Description |
| 210 | 1-11/16 | 129929 | AN-GTM-10-111 |
| | 1-3/4 | 129930 | AN-GTM-10-112 |
| | 1-15/16 | 129918 | AN-GT-10-115 |
| 211 | 2 | 129919 | AN-GT-10-200 |
| | 45mm | 129960 | AN-GTM-10-45M |
| | 50mm | 129949 | AN-GT-10-50M |
| | 1-15/16 | 129931 | AN-GTM-11-115 |
| | 2 | 129932 | AN-GTM-11-200 |
| 212 | 2-3/16 | 129920 | AN-GT-11-203 |
| | 2-1/4 | 129956 | AN-GT-11-204 |
| | 50mm | 129961 | AN-GTM-11-50M |
| | 55mm | 129950 | AN-GT-11-55M |
| | 2-3/16 | 129933 | AN-GTM-12-203 |
| 214 | 2-1/4 | 129934 | AN-GTM-12-204 |
| | 2-7/16 | 129921 | AN-GT-12-207 |
| | 55mm | 129962 | AN-GTM-12-55M |
| | 60mm | 129951 | AN-GT-12-60M |
| | 2-7/16 | 129935 | AN-GTM-14-207 |
| 215 | 2-1/2 | 129936 | AN-GTM-14-208 |
| | 2-11/16 | 129922 | AN-GT-14-211 |
| | 65mm | 129963 | AN-GTM-14-65M |
| | 70mm | 129952 | AN-GT-14-70M |
| | 2-11/16 | 129937 | AN-GTM-15-211 |
| 216 | 2-15/16 | 129923 | AN-GT-15-215 |
| | 3 | 129987 | AN-GT-15-300 |
| | 70mm | 129964 | AN-GTM-15-70M |
| | 75mm | 129953 | AN-GT-15-75M |
| | 2-15/16 | 129938 | AN-GTM-16-215 |
| 218 | 3 | 129939 | AN-GTM-16-300 |
| | 75mm | 129965 | AN-GTM-16-75M |
| | 3-7/16 | 129940 | AN-GTM-18-307 |
| | 3-1/2 | 129941 | AN-GTM-18-308 |
| | 85mm | 129966 | AN-GTM-18-85M |

| | | | |
|--------------------------------|--|------------------------|--------------------------------|
| FEATURES/BENEFITS PAGE B2-2 | HOW TO ORDER/NOMENCLATURE PAGE B2-4 | SELECTION PAGE B2-5 | RELATED PRODUCTS PAGE B2-96 |
|--------------------------------|--|------------------------|--------------------------------|

SELECTION/DIMENSIONS



GRIP TIGHT Adapter Ball Bearings GT AND GTM ADAPTER & LOCK NUT ASSEMBLIES

| Series | Shaft Size | Weight lbs kg | A | B | L |
|--------|------------|------------------|-------|-------|------|
| 203 | 1/2 | .3 | 1.290 | 33/64 | 1.40 |
| | 5/8 | .2 | | | |
| | 17mm | .1 | 32.8 | 13.1 | 35.6 |
| 204 | 3/4 | .3 | 1.475 | 37/64 | 1.50 |
| | 20mm | .1 | 37.5 | 14.7 | 38.1 |
| 205 | 3/4 | .4 | 1.460 | 37/64 | 1.80 |
| | 7/8 | .4 | | | |
| | 15/16 | .4 | | | |
| | 1 | .3 | | | |
| 206 | 25mm | .1 | 37.1 | 14.7 | 45.7 |
| | 1 | .5 | 1.610 | 5/8 | 2.08 |
| | 1-1/8 | .4 | | | |
| | 1-3/16 | .4 | | | |
| | 1-1/4 | .3 | | | |
| 207 | 25mm | .2 | 40.9 | 15.9 | 52.8 |
| | 30mm | .2 | | | |
| | 1-3/16 | .7 | 1.618 | 5/8 | 2.38 |
| | 1-1/4 | .6 | | | |
| 208 | 1-3/8 | .5 | | | |
| | 1-7/16 | .5 | | | |
| | 30mm | .2 | 41.1 | 15.9 | 60.5 |
| | 35mm | .2 | | | |
| | 1-7/16 | .8 | 1.837 | 5/8 | 2.62 |
| 209 | 1-1/2 | .7 | | | |
| | 1-5/8 | .5 | | | |
| | 35mm | .4 | 46.7 | 15.9 | 66.5 |
| | 40mm | .3 | | | |
| 210 | 1-11/16 | .9 | 1.852 | 21/32 | 2.86 |
| | 1-5/8 | .8 | | | |
| | 1-11/16 | .7 | | | |
| | 1-3/4 | .6 | | | |
| | 40mm | .4 | 47.0 | 16.7 | 72.6 |
| 211 | 45mm | .3 | | | |

| Series | Shaft Size | Weight lbs kg | A | B | L |
|--------|------------|------------------|-------|-------|-------|
| 210 | 1-11/16 | 1.1 | 1.858 | 21/32 | 3.13 |
| | 1-3/4 | 1.0 | | | |
| | 1-15/16 | .8 | | | |
| | 2 | .7 | | | |
| | 45mm | .5 | 47.2 | 16.7 | 79.5 |
| 211 | 50mm | .3 | | | |
| | 1-15/16 | 1.4 | 1.925 | 43/64 | 3.43 |
| | 2 | 1.2 | | | |
| | 2-3/16 | .9 | | | |
| 212 | 2-1/4 | .8 | | | |
| | 50mm | .6 | 48.9 | 17.1 | 87.1 |
| | 55mm | .4 | | | |
| | 2-3/16 | 1.6 | 2.116 | 3/4 | 3.69 |
| | 2-1/4 | 1.5 | | | |
| 214 | 2-7/16 | 1.1 | | | |
| | 55mm | .7 | 53.8 | 19.1 | 93.7 |
| | 60mm | .6 | | | |
| | 2-7/16 | 2.2 | 2.386 | 3/4 | 4.00 |
| 215 | 2-1/2 | 2.0 | | | |
| | 2-11/16 | 1.5 | | | |
| | 65mm | .8 | 60.6 | 19.1 | 101.6 |
| | 70mm | .6 | | | |
| | 2/11/16 | 3.0 | 2.460 | 3/4 | 4.44 |
| 216 | 2-15/16 | 2.2 | | | |
| | 3 | 1.3 | 62.5 | 19.1 | 112.8 |
| | 70mm | 1.0 | | | |
| | 75mm | 1.0 | | | |
| 218 | 2-15/16 | 3.0 | 2.695 | 3/4 | 4.69 |
| | 3 | 2.8 | | | |
| | 75mm | 1.4 | 68.5 | 19.1 | 119.1 |
| 218 | 3-7/16 | 3.4 | 2.800 | 53/64 | 5.19 |
| | 3-1/2 | 3.1 | | | |
| | 85mm | 1.7 | 71.1 | 21.0 | 131.8 |

| | | | |
|--------------------------------|--|------------------------|--------------------------------|
| FEATURES/BENEFITS PAGE B2-2 | HOW TO ORDER/NOMENCLATURE PAGE B2-4 | SELECTION PAGE B2-5 | RELATED PRODUCTS PAGE B2-96 |
|--------------------------------|--|------------------------|--------------------------------|

RELATED PRODUCTS



DODGE Ball Bearing End Covers

- Fits DODGE cast iron housed ball bearings: Pillow Blocks, 2 and 4 Bolt flanges, and Take-Up bearings
- Injected molded, impact resistant, OSHA safety yellow end covers meet requirements for exposed rotating shafts
- Stainless steel “C” washer for gripping power
- No modification or machining of existing housings required
- Concentric knockout grooves on inside of end cover for thru-shaft
- DODGE six digit part number and description embossed inside
- Operating temperature to 250° F
- For no relubrication/sealed for life applications (-NL), part number **430020** hex head plug is available

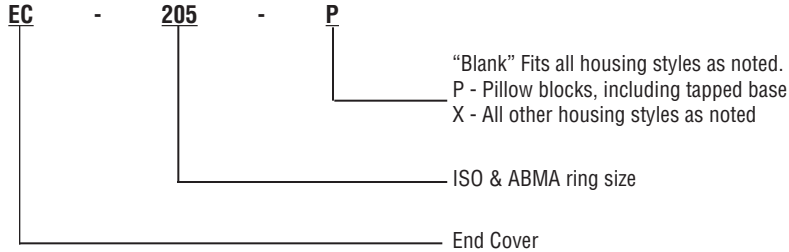


| | | | |
|--------------------------------|--|------------------------|-----------------------------------|
| FEATURES/BENEFITS PAGE B2-2 | HOW TO ORDER/NOMENCLATURE PAGE B2-4 | SELECTION PAGE B2-5 | SELECTION/DIMENSIONS PAGE B2-8 |
|--------------------------------|--|------------------------|-----------------------------------|

RELATED PRODUCTS



Nomenclature



| Series | Pillow Blocks Std, U, B | Tapped Base PB | 2 Bolt Flange | Flanged Bracket | 4 Bolt Flange | Piloted Flange (FC) | Narrow Slot Take-Up | Wide Slot Take-Up |
|--------|-------------------------|----------------|---------------|-----------------|---------------|---------------------|---------------------|-------------------|
| 203 | X | | X | | X | | | |
| 204 | X | X | X | X | X | | X | X |
| 205 | X | X | X | X | X | | X | X |
| 206 | X | X | X | X | X | @ | X | X |
| 207 | X | X | X | X | X | @ | X | X |
| 208 | X | X | X | | X | @ | X | X |
| 209 | X | X | X | | X | @ | X | X |
| 210 | X | X | X | X | X | @ | X | X |
| 211 | X | X | X | | X | NA | X | X |
| 212 | X | | X | | X | NA | X | X |
| 214 | X | | | | X | NA | | X |
| 215 | X | | | | X | | | X |
| 216 | X | | | | X | X | | X |
| 218 | X | | | | X | X | | |

* = Will not fit LF, LFT, SCHB, HNGR & CYL
 @ = Some modification required

NA = Will not fit
 X = Will fit

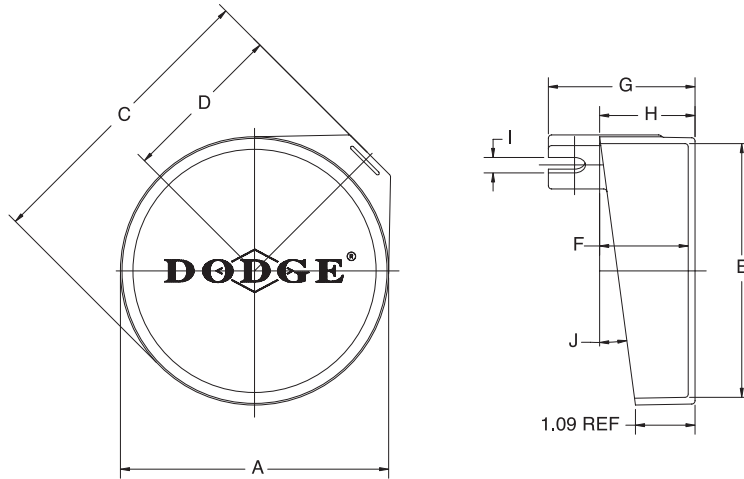
| | | | |
|--------------------------------|--|------------------------|-----------------------------------|
| FEATURES/BENEFITS PAGE B2-2 | HOW TO ORDER/NOMENCLATURE PAGE B2-4 | SELECTION PAGE B2-5 | SELECTION/DIMENSIONS PAGE B2-8 |
|--------------------------------|--|------------------------|-----------------------------------|

RELATED PRODUCTS



Thin Wall Adapter Ball Bearings

BALL BEARING END COVERS FOR PILLOW BLOCKS & TAPPED BASE UNITS



| Series | Shaft Size | | Part Number | Description |
|--------|------------------------|-------------------------|---------------|-------------|
| | GT | GTM | | |
| 203 | 1/2 & 5/8 17mm | ----- | 128200 | EC-203-P |
| 204 | 1/2 - 3/4 20mm | ----- | 128202 | EC-204-P |
| 205 | 7/8 - 1 25mm | ----- | 128204 | EC-205-P |
| 206 | 1-1/16 - 1-1/4 30mm | 1 25mm | 128206 | EC-206-P |
| 207 | 1-1/4 - 1-7/16 35mm | 1-3/16 - 1-1/4 30mm | 128208 | EC-207-P |
| 208 | 1-1/2 & 1-5/8 40mm | 1-7/16 35mm | 128210 | EC-208-P |
| 209 | 1-5/8 - 1-3/4 45mm | 1-1/2 40mm | 128212 | EC-209-P |
| 210 | 1-15/16 & 2 50mm | 1-11/16 & 1-3/4 45mm | 128214 | EC-210-P |
| 211 | 2 - 2-1/4 55mm | 1-15/16 & 2 50mm | 128216 | EC-211-P |
| 212 | 2-1/4 & 2-7/16 60mm | 2-3/16 & 2-1/4 55mm | 128218 | EC-212-P |

For no re-lube (-NL) applications, part number **430020**, hex head plug is available

| | | | |
|--------------------------------|--|------------------------|-----------------------------------|
| FEATURES/BENEFITS PAGE B2-2 | HOW TO ORDER/NOMENCLATURE PAGE B2-4 | SELECTION PAGE B2-5 | SELECTION/DIMENSIONS PAGE B2-8 |
|--------------------------------|--|------------------------|-----------------------------------|

RELATED PRODUCTS



Thin Wall Adapter Ball Bearings

BALL BEARING END COVERS FOR PILLOW BLOCKS & TAPPED BASE UNITS

| Series | Shaft Size | | Weight lbs gm | A | B | C | D | E | F | G | H | I | J |
|--------|------------------------|-------------------------|---------------------|------------------|------------------|------------------|-----------------|------------------|-----------------|-----------------|-----------------|---------------|--------|
| | GT | GTM | | | | | | | | | | | |
| 203 | 1/2 & 5/8 17mm | ----- | 0.02 10 | 1-25/32 45.2 | 1-43/64 42.5 | 2-7/64 53.6 | 1-3/32 27.8 | 1-41/64 41.7 | 49/64 19.4 | 1-29/64 36.9 | 29/32 23.0 | 1/4 6.4 | 9° |
| 204 | 1/2 - 3/4 20mm | ----- | 0.03 15 | 2-3/64 52.0 | 1-27/32 46.8 | 2-37/64 65.5 | 1-19/64 32.9 | 1-55/64 47.2 | 1-1/64 25.8 | 1-49/64 44.8 | 1-5/32 29.4 | 5/16 7.9 | 11° |
| 205 | 7/8 - 1 25mm | ----- | 0.05 24 | 2-3/8 60.3 | 2-3/16 55.6 | 2-13/16 71.4 | 1-3/16 30.2 | 2-5/32 54.8 | 1-1/16 27.0 | 1-7/8 47.6 | 1-7/32 31.0 | 11/32 8.7 | 9° |
| 206 | 1-1/16 -1-1/4 30mm | 1 25mm | 0.08 36 | 2-47/64 69.5 | 2-17/32 64.3 | 3-21/64 84.5 | 1-45/64 43.3 | 2-1/2 63.5 | 1-15/64 31.4 | 2-5/32 54.8 | 1-13/32 35.7 | 23/64 9.1 | 9° |
| 207 | 1-1/4 -1-7/16 35mm | 1-3/16 -1-1/4 30mm | 0.12 53 | 3-1/4 82.6 | 3 76.2 | 3-51/64 96.4 | 1-29/32 48.4 | 3-1/64 76.6 | 1-5/16 33.3 | 2-11/32 59.5 | 1-31/64 37.7 | 3/8 9.5 | 7° 30' |
| 208 | 1-1/2 & 1-5/8 40mm | 1-7/16 35mm | 0.14 64 | 3-3/8 85.7 | 3-1/8 79.4 | 4 101.6 | 2-1/16 52.4 | 3-7/64 79.0 | 1-19/64 32.9 | 2-13/16 71.4 | 1-1/2 38.1 | 27/64 10.7 | 6° |
| 209 | 1-5/8 -1-3/4 45mm | 1-1/2 40mm | 0.16 73 | 3-11/16 93.7 | 3-15/32 88.1 | 4-17/64 108.3 | 2-11/64 55.2 | 3-13/32 86.5 | 1-21/64 33.7 | 2-21/64 59.1 | 1-17/32 38.9 | 25/64 9.9 | 7° |
| 210 | 1-15/16 & 2 50mm | 1-11/16 & 1-3/4 45mm | 0.18 82 | 3-7/8 98.4 | 3-37/64 90.9 | 4-1/2 114.3 | 2-19/32 65.9 | 3-37/64 90.9 | 1-23/64 34.5 | 2-1/2 63.5 | 1-9/16 39.7 | 31/64 12.3 | 9° |
| 211 | 2 - 2-1/4 55mm | 1-15/16 & 2 50mm | 0.24 108 | 4-27/64 112.3 | 4 101.6 | 5-1/16 128.6 | 2-19/32 65.9 | 4-1/8 104.8 | 1-13/32 35.7 | 2-37/64 65.5 | 1-5/8 41.3 | 29/64 11.5 | 7° |
| 212 | 2-1/4 & 2-7/16 60mm | 2-3/16 & 2-1/4 55mm | 0.27 124 | 4-59/64 125.0 | 4-15/32 113.5 | 5 29/64 138.5 | 2-3/4 69.9 | 4-39/64 117.1 | 1-17/32 38.9 | 2-11/16 68.3 | 1-3/4 44.5 | 13/32 10.3 | 8° |

| | | | |
|--------------------------------|--|------------------------|-----------------------------------|
| FEATURES/BENEFITS PAGE B2-2 | HOW TO ORDER/NOMENCLATURE PAGE B2-4 | SELECTION PAGE B2-5 | SELECTION/DIMENSIONS PAGE B2-8 |
|--------------------------------|--|------------------------|-----------------------------------|

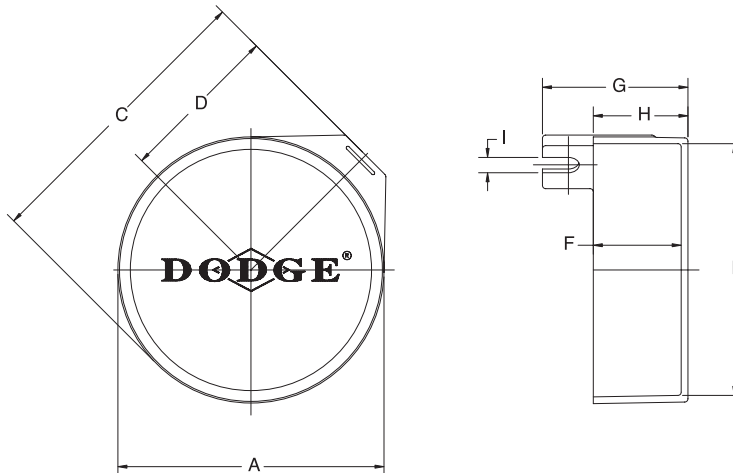
RELATED PRODUCTS

DODGE®



Thin Wall Adapter Ball Bearings

BALL BEARING END COVERS FOR MOUNTED UNITS OTHER THAN PILLOW BLOCKS & TAPPED BASE UNITS



| Series | Shaft Size | | Part Number | Description |
|--------|------------------------|-------------------------|---------------|-------------|
| | GT | GTM | | |
| 203 | 1/2 & 5/8 17mm | ----- | 128201 | EC-203-X |
| 204 | 1/2 - 3/4 20mm | ----- | 128203 | EC-204-X |
| 205 | 7/8 - 1 25mm | ----- | 128205 | EC-205-X |
| 206 | 1-1/16 - 1-1/4 30mm | 1 25mm | 128207 | EC-206-X |
| 207 | 1-1/4 - 1-7/16 35mm | 1-3/16 - 1-1/4 30mm | 128209 | EC-207-X |
| 208 | 1-1/2 & 1-5/8 40mm | 1-7/16 35mm | 128211 | EC-208-X |
| 209 | 1-5/8 - 1-3/4 45mm | 1-1/2 40mm | 128213 | EC-209-X |
| 210 | 1-15/16 & 2 50mm | 1-11/16 & 1-3/4 45mm | 128215 | EC-210-X |
| 211 | 2 - 2-1/4 55mm | 1-15/16 & 2 50mm | 128217 | EC-211-X |
| 212 | 2-1/4 & 2-7/16 60mm | 2-3/16 & 2-1/4 55mm | 128219 | EC-212-X |

Note: Above end covers will not fit the LF and LFT bearings

For no re-lube (-NL) applications, part number 430020, hex head plug is available

FEATURES/BENEFITS
PAGE B2-2

HOW TO ORDER/NOMENCLATURE
PAGE B2-4

SELECTION
PAGE B2-5

SELECTION/DIMENSIONS
PAGE B2-8

RELATED PRODUCTS



Thin Wall Adapter Ball Bearings

BALL BEARING END COVERS FOR MOUNTED UNITS OTHER THAN PILLOW BLOCKS & TAPPED BASE UNITS

| Series | Shaft Size | | Weight lbs gm | A | B | C | D | E | F | G | H | I |
|--------|------------------------|-------------------------|---------------------|------------------|------------------|------------------|-----------------|------------------|-----------------|-----------------|-----------------|---------------|
| | GT | GTM | | | | | | | | | | |
| 203 | 1/2 & 5/8 17mm | ----- | 0.02 10 | 1-51/64 45.6 | 1-43/64 42.5 | 2-13/64 56.0 | 1-3/16 30.2 | 1-41/64 41.7 | 51/64 20.2 | 1-29/64 36.9 | 15/16 23.8 | 1/4 6.4 |
| 204 | 1/2 - 3/4 20mm | ----- | 0.03 15 | 2-7/32 56.4 | 2 50.8 | 2-47/64 69.5 | 1-25/64 35.3 | 2-1/32 51.6 | 1-1/64 25.8 | 1-13/16 46.0 | 1-5/32 29.4 | 5/16 7.9 |
| 205 | 7/8 - 1 25mm | ----- | 0.05 24 | 2-3/8 60.3 | 2-3/16 55.6 | 3-3/64 77.4 | 1-19/32 40.5 | 2-5/32 54.8 | 1-1/64 25.8 | 1-53/64 46.4 | 1-11/64 29.8 | 11/32 8.7 |
| 206 | 1-1/16 -1-1/4 30mm | 1 25mm | 0.08 36 | 2-47/64 69.5 | 2-17/32 64.3 | 3-21/64 84.5 | 1-45/64 43.3 | 2-1/2 63.5 | 1-3/16 30.2 | 2-1/16 52.4 | 1-23/64 34.5 | 23/64 9.1 |
| 207 | 1-1/4 -1-7/16 35mm | 1-3/16 -1-1/4 30mm | 0.12 53 | 3-1/4 82.6 | 3 76.2 | 3-27/32 97.6 | 1-31/32 50.0 | 3-1/64 76.6 | 1-11/32 34.1 | 2-11/32 59.5 | 1-17/32 38.9 | 3/8 9.5 |
| 208 | 1-1/2 & 1-5/8 40mm | 1-7/16 35mm | 0.14 64 | 3-3/8 85.7 | 3-1/8 79.4 | 4 101.6 | 2-1/16 52.4 | 3-7/64 79.0 | 1-19/64 32.9 | 2-13/32 61.1 | 1-1/2 38.1 | 27/64 10.7 |
| 209 | 1-5/8 -1-3/4 45mm | 1-1/2 40mm | 0.16 73 | 3-11/16 93.7 | 3-15/32 88.1 | 4-17/64 108.3 | 2-11/64 55.2 | 3-13/32 86.5 | 1-23/64 34.5 | 2-21/64 59.1 | 1-17/32 38.9 | 25/64 9.9 |
| 210 | 1-15/16 & 2 50mm | 1-11/16 & 1-3/4 45mm | 0.18 82 | 3-7/8 98.4 | 3-37/64 90.9 | 4-1/2 114.3 | 2-21/64 59.1 | 3-9/16 90.5 | 1-23/64 34.5 | 2-33/64 63.9 | 1-9/16 39.7 | 31/64 12.3 |
| 211 | 2 - 2-1/4 55mm | 1-15/16 & 2 50mm | 0.24 108 | 4-27/64 112.3 | 4 101.6 | 5-1/16 128.6 | 2-19/32 65.9 | 4-1/8 104.8 | 1-29/64 36.9 | 2-37/64 65.5 | 1-21/32 42.1 | 29/64 11.5 |
| 212 | 2-1/4 & 2-7/16 60mm | 2-3/16 & 2-1/4 55mm | 0.27 124 | 4-59/64 125.0 | 4-15/32 113.5 | 5 15/32 138.9 | 2-3/4 69.9 | 4-39/64 117.1 | 1-35/64 39.3 | 2-11/16 68.3 | 1-3/4 44.5 | 13/32 10.3 |

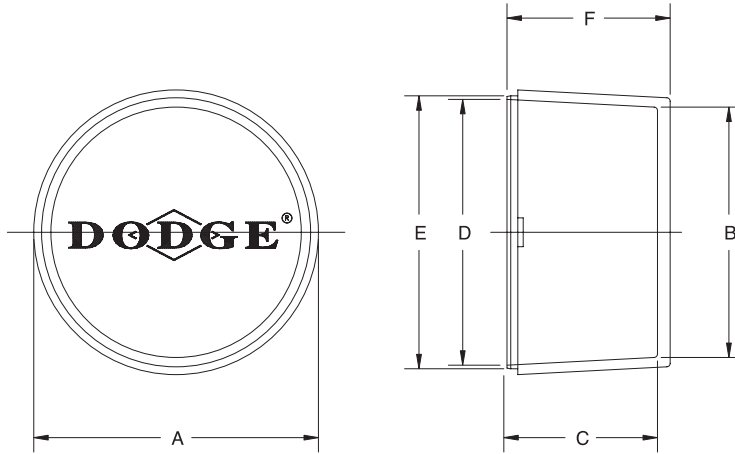
| | | | |
|--------------------------------|--|------------------------|-----------------------------------|
| FEATURES/BENEFITS PAGE B2-2 | HOW TO ORDER/NOMENCLATURE PAGE B2-4 | SELECTION PAGE B2-5 | SELECTION/DIMENSIONS PAGE B2-8 |
|--------------------------------|--|------------------------|-----------------------------------|

RELATED PRODUCTS



Thin Wall Adapter Ball Bearings

BALL BEARING END COVERS FOR MOUNTED UNITS 214 SERIES AND LARGER



| Series | Shaft Size | | Part Number | Description |
|--------|-----------------|------------------------|---------------|-------------|
| | GT | GTM | | |
| 214 | 2-11/16 70mm | 2-7/16 & 2-1/2 65mm | 128220 | EC-214 |
| 215 | 2-15/16 75mm | 2-11/16 70mm | 128221 | EC-215 |
| 216 | ----- | 2-15/16 & 3 75mm | 128222 | EC-216 |
| 218 | ----- 90mm | 3-7/16 & 3-1/2 85mm | 128223 | EC-218 |

| | | | |
|--------------------------------|--|------------------------|-----------------------------------|
| FEATURES/BENEFITS PAGE B2-2 | HOW TO ORDER/NOMENCLATURE PAGE B2-4 | SELECTION PAGE B2-5 | SELECTION/DIMENSIONS PAGE B2-8 |
|--------------------------------|--|------------------------|-----------------------------------|

RELATED PRODUCTS



Thin Wall Adapter Ball Bearings

BALL BEARING END COVERS FOR MOUNTED UNITS 214 SERIES AND LARGER

Bearing Quick Reference

E-Z KLEEN

GRIP TIGHT Adapter Ball Bearing

Set Screw Ball Bearing

Eccentric Collar Ball Bearing

| Series | Shaft Size | | Weight lbs gm | A | B | C | D | E | | F |
|--------|------------|----------------|---------------------|---------|---------|---------|---------|-------|-------|---------|
| | GT | GTM | | | | | | min. | max. | |
| 214 | 2-11/16 | 2-7/16 & 2-1/2 | 0.33 | 4-15/16 | 4-11/32 | 2-39/64 | 4-39/64 | 4.737 | 4.741 | 2-53/64 |
| | 70mm | 65mm | 151 | 125.4 | 110.3 | 66.3 | 117.1 | 120.3 | 120.4 | 71.8 |
| 215 | 2-15/16 | 2-11/16 | 0.36 | 5-3/32 | 4-31/64 | 2-29/64 | 4-3/4 | 4.940 | 4.944 | 2-7/8 |
| | 75mm | 70mm | 164 | 129.4 | 113.9 | 62.3 | 120.7 | 125.5 | 125.6 | 73.0 |
| 216 | ----- | 2-15/16 & 3 | 0.44 | 5-9/16 | 4-59/64 | 2-47/64 | 5-13/64 | 5.346 | 5.350 | 2-63/64 |
| | | 75mm | 201 | 141.3 | 125.0 | 69.5 | 132.2 | 135.8 | 135.9 | 75.8 |
| 218 | ----- | 3-7/16 & 3-1/2 | 0.57 | 6-5/16 | 5-41/64 | 2-27/32 | 5-15/16 | 6.096 | 6.100 | 3-3/32 |
| | 90mm | 85mm | 257 | 160.3 | 143.3 | 72.2 | 150.8 | 154.8 | 154.9 | 78.6 |

| | | | |
|--------------------------------|--|------------------------|-----------------------------------|
| FEATURES/BENEFITS PAGE B2-2 | HOW TO ORDER/NOMENCLATURE PAGE B2-4 | SELECTION PAGE B2-5 | SELECTION/DIMENSIONS PAGE B2-8 |
|--------------------------------|--|------------------------|-----------------------------------|

NOTES



| | | | |
|--------------------------------|--|------------------------|-----------------------------------|
| FEATURES/BENEFITS PAGE B2-2 | HOW TO ORDER/NOMENCLATURE PAGE B2-4 | SELECTION PAGE B2-5 | SELECTION/DIMENSIONS PAGE B2-8 |
|--------------------------------|--|------------------------|-----------------------------------|



Setscrew Ball Bearings

| | |
|--|----------|
| Features / Benefits | B3-2 |
| How to Order / Nomenclature | B3-4 |
| Selection | B3-5 |
| Selection/Dimensions | |
| Pillow Blocks | |
| SC - Normal Duty | B3-10 |
| SCBAH Air Handling Normal Duty | B3-14 |
| SCB Normal Duty | B3-18 |
| SCHB Air Handling Normal Duty | B3-22 |
| SCH Expansion and Non-Expansion | B3-26 |
| SCMAH Air Handling Medium Duty | B3-30 |
| VSC Intermediate Duty | B3-32 |
| VSCB Intermediate Duty Pillow Blocks | B3-36 |
| CC Ball Bearing Fan and Blower Pillow Blocks | B3-38 |
| SL Light Duty | B3-40 |
| SC Normal Duty Tapped | B3-42 |
| Flanges | |
| 2-Bolt Flange | B3-44 |
| 3-Bolt Flange | B3-64 |
| 4-Bolt Flange | B3-70 |
| Piloted Flange | B3-86 |
| Take-Ups | |
| SC-Normal Duty Narrow Slot | B3-90 |
| SCM-Medium Duty Narrow Slot | B3-94 |
| VSC - Intermediate Duty Narrow Slot | B3-96 |
| SC-Normal Duty Wide Slot | B3-98 |
| SCM-Normal Duty Wide Slot | B3-102 |
| VSC - Intermediate Duty Wide Slot | B3-106 |
| Type G Normal Duty Top Angle | B3-110 |
| Hanger Bearings | |
| SC Normal Duty | B3-114 |
| SC Normal Duty Screw Conveyor | B3-116 |
| SC Normal Duty Cylindrical Units | |
| Inserts | |
| SC - Normal Duty Inserts | B3-120 |
| SCH Expansion and Non-Expansion | B3-124 |
| SCM Medium Duty | B3-126 |
| VSC - Intermediate Duty | B3-128 |
| CC Ball Bearing Fan and Blower | B3-130 |
| Modification/Accessories | B3-132 |
| Related Products | |
| High Temperature Ball Bearings | B3-133 |
| End Closures | B3-136 |
| Part Number Index | INDEX-1 |
| Key Word Index | INDEX-34 |

FEATURES/BENEFITS

DODGE®



Setscrew Ball Bearings

For over 70 years, DODGE has been talking to mounted bearing users and listening to their needs. This experience led to the design of the optimum mounted ball bearing. A state-of-the-art facility was built in Rogersville, Tennessee, to manufacture the new DODGE design.

The result is the DODGE SC/SCM VSC/SL line. It is the most current design setscrew mounted ball bearing on the market and provides the user unmatched quality and true total value.

- Light Duty Narrow Inner Ring (SL)
- Intermediate Duty Narrow Inner Ring (VSC)
- Normal Duty Wide Inner Ring (SC)
- Medium Duty Wide Inner Ring (SCM)
- Wide Variety of Housing Configurations
- Available in 1/2 to 3-1/2 (17 to 90mm) Bore Sizes
- Seal Options:
 - Flingers on SC/SCM (flingers are standard on E-Z KLEEN® nickel plated and Screw Conveyor Hanger Bearings)
 - Low friction labyrinth on SC/SCM
- Other Options:
 - Corrosion resistant inserts for SC/SCM, E-Z KLEEN and nickel plate
 - FDA/USDA lubricant and other special lubricants
 - High temperature SC/SCM designed for temperatures from 225° F to 400° F. Factory assembled to order.

For application assistance, contact DODGE Engineering

Phone 864-284-5700

Fax 864-281-2317

DODGE End Covers

Available from stock to fit SC, SCM and VSC mounted units, these end covers are designed for added protection from contaminants as well as for OSHA requirements. Covers are OSHA yellow.



Superior Locking Forces



The DODGE SC/SCM/VSC/SL line uses 65° design which offers an optimum balance between locking force and inner ring stress.



FEATURES/BENEFITS



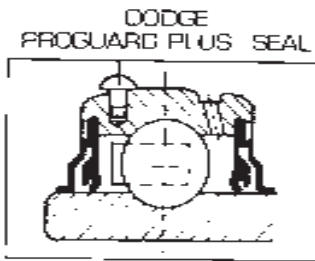
Setscrew Ball Bearings

The DODGE PROGUARD™ Seal



PROGUARD positive contact, low drag rubber seal

DODGE SC/SCM/SSC/SL mounted ball bearings use the field proven PROGUARD land-riding contact seal with steel shield protection. This highly effective positive seal design assures uniform lip contact with the inner ring to seal out contaminants and seal in lubricants.



On SC.SCM optional flingers can be added to form a tight labyrinth with the PROGUARD seal and provide additional seal protection against contaminants and trash.

Stronger, More Flexible Cage



The ball cage is made of heat-stabilized nylon with 33% fill short fiberglass reinforcement for added strength. The nylon material provides a natural lubricity for longer life. Fiberglass reinforcement allows higher operating temperatures than plain nylon, yet it is more resistant to fatigue than metallic cages. Short fiberglass allows greater flexibility than steel or normal fiberglass, especially under misalignment. That means longer life in mounted bearings where some degree of misalignment is unavoidably encountered.

Anti-Rotation Pin (SC.SCM)

An anti-rotation pin prevents rotation of the outer race within the housing. Simple and effective, it makes system inserts easier to replace. There is no need to remove and replace grease fittings, location pins or other devices.



Simplified Anti-rotation device

DODGE E-Z KLEEN Ball Bearings

Available with Polymer and stainless steel housing, with corrosion resistant bearing inserts. These features make the SC ball bearing uniquely suited for the food, chemical and processing industries.



Bearing Quick Reference

E-Z KLEEN

GRIP TIGHT Adapter Ball Bearing

Set Screw Ball Bearing

Eccentric Collar Ball Bearing

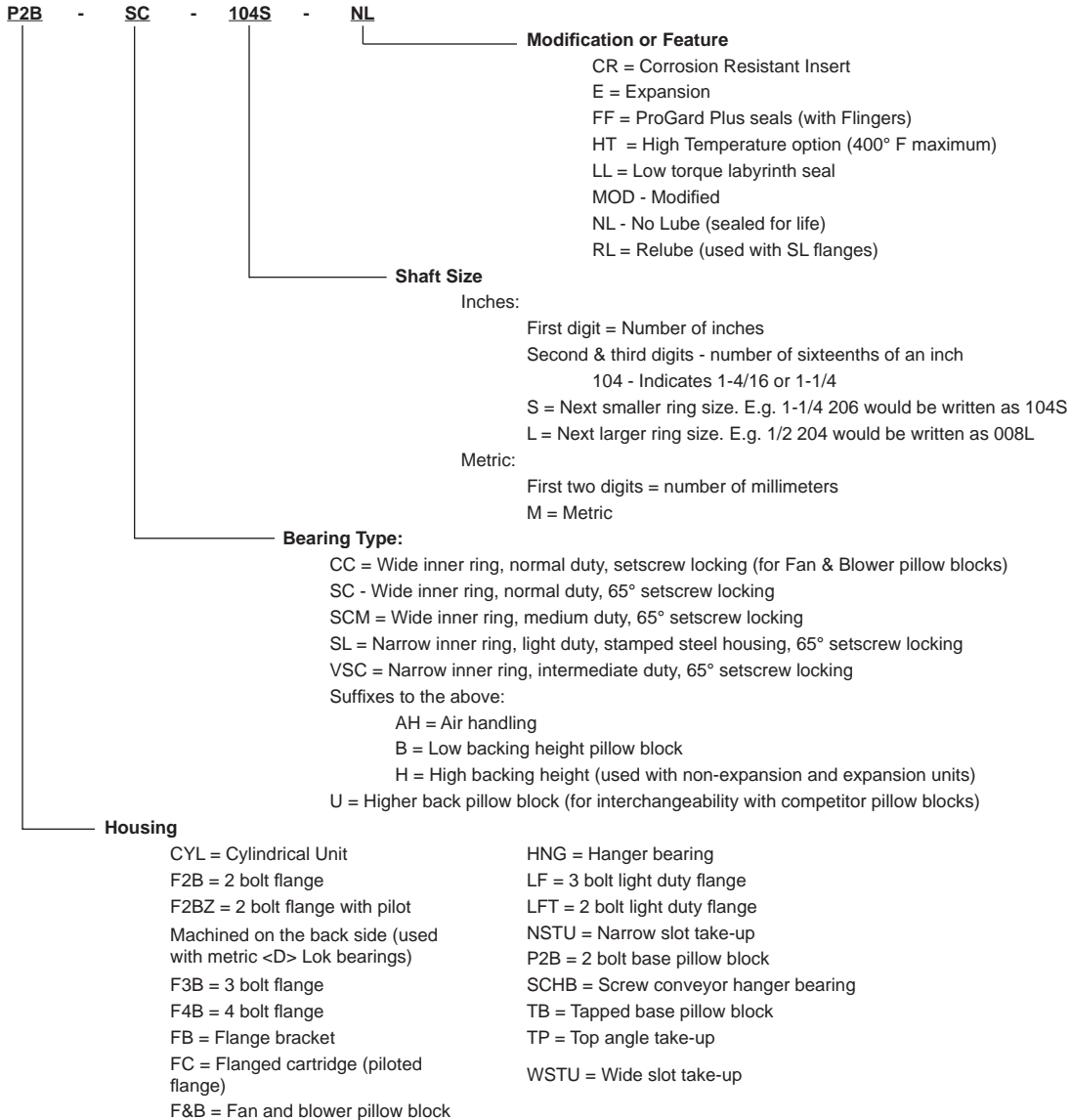
HOW TO ORDER/ NOMENCLATURE



Setscrew Ball Bearings HOW TO ORDER

There are two ways to specify DODGE Bearings. Most of the product offering have part numbers with listings shown throughout this catalog. Use of part numbers ensures accurate ordering processing.

When part numbers are not shown, the product may be specified by description or part name. This method is used when ordering units that include modifications or options. To order by description, use the nomenclature key shown below and add any special instructions to the end of the description for options not covered by the nomenclature.



| | | | |
|--------------------------------|------------------------|------------------------------------|----------------------------|
| FEATURES/BENEFITS PAGE B3-2 | SELECTION PAGE B3-5 | SELECTION/DIMENSIONS PAGE B3-10 | ACCESSORIES PAGE B3-132 |
|--------------------------------|------------------------|------------------------------------|----------------------------|

SELECTION



Setscrew Ball Bearings

DODGE mounted ball bearings are primarily designed for radial loading. However, they have the capacity to carry thrust loads and combined radial/thrust loads. The maximum recommended load which can be applied is limited by various components in the system, such as bearing, housing, shaft attachments, speed and life requirements. DODGE mounted ball bearings have been applied successfully when these limits have been exceeded under controlled operating conditions. Contact DODGE Engineering for applications which exceed these recommendations.

Select a bearing from the Selection Chart that has a radial load rating at the operating speed equal to or greater than the calculated Equivalent Radial load for a desired L_{10} life. This simple method is all that is required for the majority of general applications and provides for occasional average shock loads.

L_{10} Hours Life-is the life which may be expected for at least 90% of a given group of bearings operating under identical conditions.

For an L_{10} hours life other than those listed in the Selection Chart, multiply the equivalent Radial load by one of the following factors. For 50,000 L_{10} hours life, use a factor of 1.18 and for 80,000, use 1.39. Then select a bearing from the bold face (30,000) L_{10} ratings only in the Selection Chart that has a rating equal to or greater than this value.

Heavy Service-For heavy shock loads, frequent shock loads or severe vibrations, add up to 50% (according to severity of conditions) to the Equivalent Radial Load to obtain a Modified Equivalent Radial Load. Consult Application Engineering for additional selection assistance.

A thrust load value of $C/10$ is recommended as a guide for general applications and will give adequate L_{10} life. Where substantial radial load pulls the housing away from the mounting base, both the hold-down bolts and housing must be of adequate strength. Auxiliary load carrying devices, such as shear bars, are advisable for side or end-loading of pillow blocks and radial loads for flange units.

To determine the L_{10} hours life for loads and RPM's not listed use the following equation:

$$L_{10} = \left(\frac{C}{P}\right)^3 \times \frac{16667}{\text{RPM}}$$

Where:

L_{10} = Life, hours

C = Dynamic Capacity, lbs. or N

P = Equivalent Radial Load, lbs. or N

When the load on a ball bearing is solely a radial load with no thrust (axial) load, the Equivalent Radial Load (P) is equal to the actual radial load. However, when a thrust (axial) load is applied, the radial and thrust loads applied must be converted into an Equivalent Radial Load. The use of the X (radial factor) and Y (thrust factor) from Table 1 convert the actual applied thrust and radial loads to an Equivalent Radial Load which has the same effect on the life of a bearing as a radial load of this magnitude.

$$P = (X \times F_R) + (Y \times F_A)$$

Where:

P = Equivalent Radial Load, lbs.

F_R = Radial load, lbs.

F_A = Thrust load, lbs.

e = Thrust load to radial load factor (Table 1)

X = Radial load factor (Table 1)

Y = Thrust factor (Table 1)

C_0 = Basic static capacity

To find X and Y, first calculate F_A/C_0 to determine e. Calculate F_A/F_R and compare to e to determine the X and Y factors to use from Table 1.

Substitute all known values into the Equivalent Radial Load equation. The Equivalent Radial loads (P) thus determined can be used in the L_{10} life formula or compared to the allowable Equivalent Radial Load rating desired in the expanded rating chart to select a bearing (Table 2).

If calculated value of P is less than F_R , use $P = F_R$.

| F_A C_0 | e | Radial/Thrust Factors | | | |
|----------------|-----|---|---|--------------------------------|------|
| | | If F_A/F_R is equal to or less than e | | If F_A/F_R is greater than e | |
| | | $F_A/F_R \leq e$ | | $F_A/F_R > e$ | |
| | | X | Y | X | Y |
| .014 | .19 | 1 | 0 | 0.56 | 2.30 |
| .021 | .21 | 1 | 0 | 0.56 | 2.15 |
| .028 | .22 | 1 | 0 | 0.56 | 1.99 |
| .042 | .24 | 1 | 0 | 0.56 | 1.85 |
| .056 | .26 | 1 | 0 | 0.56 | 1.71 |
| .070 | .27 | 1 | 0 | 0.56 | 1.63 |
| .084 | .28 | 1 | 0 | 0.56 | 1.55 |
| .110 | .30 | 1 | 0 | 0.56 | 1.45 |
| .170 | .34 | 1 | 0 | 0.56 | 1.31 |
| .280 | .38 | 1 | 0 | 0.56 | 1.15 |
| .420 | .42 | 1 | 0 | 0.56 | 1.04 |
| .560 | .44 | 1 | 0 | 0.56 | 1.00 |

Lubrication-DODGE Ball Bearings are lubricated at the factory and are ready to run. The bearings are initially lubricated with lithium complex based grease and should be relubricated with the same or some equivalent. For high speeds, high loads, extreme temperatures and other abnormal operating conditions, special greases may be required. Contact DODGE Application Engineering for recommendations on these types of applications.

Misalignment-DODGE Ball Bearings are designed to allow a maximum of +25 static misalignment. These bearings are not suitable for dynamic misalignment. To ensure good alignment, mounting surfaces must be checked for flatness and must lie in the same plane. When tightening base bolts, each bolt should be alternately tightened in incremental torque values until full torque is achieved to prevent the angular shifting of the pillow block that occurs when one bolt is tightened to its full torque. Shimming may be required to minimize misalignment.

Shaft Tolerances

| Normal Shaft Size Inches | Commercial Shaft Tolerances Inches | Recommended Shaft Tolerances Setscrew Ball Bearings Inches |
|--------------------------|------------------------------------|--|
| Up to 1-1/2" | +0.000 -0.002 | +0.0000 -0.0005 |
| Over 1-1/2" to 2-1/2" | +0.000 -0.003 | +0.0000 -0.0010 |
| Over 2-1/2" to 4" | +0.000 -0.004 | +0.0000 -0.0010 |

| FEATURES/BENEFITS PAGE B3-2 | NOMENCLATURE PAGE B3-4 | SELECTION/DIMENSION PAGE B3-10 | RELATED PRODUCTS PAGE B3-133 |
|--------------------------------|---------------------------|-----------------------------------|---------------------------------|
|--------------------------------|---------------------------|-----------------------------------|---------------------------------|

SELECTION



Setscrew Ball Bearings - Inch

Table 2: Easy Selection Table For Ball Bearing Mounted Units

| RING SIZE | SHAFT SIZE | | DYNAMIC CAPACITY C. Lbs. | STATIC CAPACITY Co. Lbs. | L10 LIFE HOURS | ALLOWABLE EQUIVALENT RADIAL LOAD RATING (LBS.) AT VARIOUS RPM* | | | | | | | | |
|-----------|------------------------------------|-------------------|--------------------------|--------------------------|----------------|--|------|------|------|------|------|------|------|------|
| | SC, VSC, SL, CC | SCM | | | | 50 | 150 | 250 | 500 | 750 | 1000 | 1500 | 1750 | 2000 |
| 203 | 1/2 5/8 | | 2158 | 1000 | 20000 | 550 | 380 | 320 | 255 | 225 | 205 | 175 | 170 | 160 |
| | | | | | 30000 | 480 | 335 | 280 | 225 | 195 | 175 | 155 | 145 | 140 |
| | | | | | 40000 | 440 | 305 | 255 | 205 | 175 | 160 | 140 | 135 | 130 |
| | | | | | 60000 | 380 | 265 | 225 | 175 | 155 | 140 | 125 | 115 | 110 |
| | | | | | 100000 | 320 | 225 | 190 | 150 | 130 | 120 | 105 | 100 | 95 |
| 204 | 1/2 5/8 3/4 13/16 | | 2899 | 1390 | 20000 | 740 | 515 | 435 | 345 | 300 | 275 | 240 | 225 | 215 |
| | | | | | 30000 | 645 | 450 | 380 | 300 | 260 | 240 | 210 | 200 | 190 |
| | | | | | 40000 | 590 | 410 | 345 | 275 | 240 | 215 | 190 | 180 | 170 |
| | | | | | 60000 | 515 | 355 | 300 | 240 | 210 | 190 | 165 | 155 | 150 |
| | | | | | 100000 | 435 | 300 | 255 | 200 | 175 | 160 | 140 | 130 | 125 |
| 205 | 7/8 15/16 1 | | 3146 | 1565 | 20000 | 805 | 560 | 470 | 375 | 325 | 295 | 260 | 245 | 235 |
| | | | | | 30000 | 705 | 485 | 410 | 325 | 285 | 260 | 225 | 215 | 205 |
| | | | | | 40000 | 640 | 445 | 375 | 295 | 260 | 235 | 205 | 195 | 185 |
| | | | | | 60000 | 560 | 385 | 325 | 260 | 225 | 205 | 180 | 170 | 165 |
| | | | | | 100000 | 470 | 325 | 275 | 220 | 190 | 175 | 150 | 145 | 135 |
| 206 | 1-1/16 1-1/8 1-3/16 1-1/4 | 1 | 4368 | 2250 | 20000 | 1115 | 775 | 655 | 520 | 455 | 410 | 360 | 340 | 325 |
| | | | | | 30000 | 975 | 675 | 570 | 455 | 395 | 360 | 315 | 300 | 285 |
| | | | | | 40000 | 885 | 615 | 520 | 410 | 360 | 325 | 285 | 270 | 260 |
| | | | | | 60000 | 775 | 535 | 455 | 360 | 315 | 285 | 250 | 235 | 225 |
| | | | | | 100000 | 655 | 455 | 380 | 305 | 265 | 240 | 210 | 200 | 190 |
| 207 | 1-1/4 1-5/16 1-3/8 1-7/16 | 1-3/16 1-1/4 | 5759 | 3065 | 20000 | 1475 | 1020 | 860 | 685 | 595 | 545 | 475 | 450 | 430 |
| | | | | | 30000 | 1285 | 890 | 755 | 595 | 520 | 475 | 415 | 395 | 375 |
| | | | | | 40000 | 1170 | 810 | 685 | 545 | 475 | 430 | 375 | 355 | 340 |
| | | | | | 60000 | 1020 | 710 | 595 | 475 | 415 | 375 | 330 | 310 | 300 |
| | | | | | 100000 | 860 | 595 | 505 | 400 | 350 | 315 | 275 | 265 | 250 |
| 208 | 1-1/2 1-5/8 | 1-7/16 1-1/2** | 7332 | 4005 | 20000 | 1875 | 1300 | 1095 | 870 | 760 | 690 | 605 | 575 | 550 |
| | | | | | 30000 | 1640 | 1135 | 960 | 760 | 665 | 605 | 525 | 500 | 480 |
| | | | | | 40000 | 1490 | 1030 | 870 | 690 | 605 | 550 | 480 | 455 | 435 |
| | | | | | 60000 | 1300 | 900 | 760 | 605 | 525 | 480 | 420 | 400 | 380 |
| | | | | | 100000 | 1095 | 760 | 640 | 510 | 445 | 405 | 355 | 335 | 320 |
| 209 | 1-5/8 1-11/16 1-3/4 | 1-1/2 | 7891 | 4450 | 20000 | 2020 | 1400 | 1180 | 935 | 820 | 745 | 650 | 615 | 590 |
| | | | | | 30000 | 1765 | 1225 | 1030 | 820 | 715 | 650 | 570 | 540 | 515 |
| | | | | | 40000 | 1600 | 1110 | 935 | 745 | 650 | 590 | 515 | 490 | 470 |
| | | | | | 60000 | 1400 | 970 | 820 | 650 | 570 | 515 | 450 | 430 | 410 |
| | | | | | 100000 | 1180 | 820 | 690 | 550 | 480 | 435 | 380 | 360 | 345 |
| 210 | 1-15/16 2 | 1-11/16 1-3/4 | 7891 | 4450 | 20000 | 2020 | 1400 | 1180 | 935 | 820 | 745 | 650 | 615 | 590 |
| | | | | | 30000 | 1765 | 1225 | 1030 | 820 | 715 | 650 | 570 | 540 | 515 |
| | | | | | 40000 | 1600 | 1110 | 935 | 745 | 650 | 590 | 515 | 490 | 470 |
| | | | | | 60000 | 1400 | 970 | 820 | 650 | 570 | 515 | 450 | 430 | 410 |
| | | | | | 100000 | 1180 | 820 | 690 | 550 | 480 | 435 | 380 | 360 | 345 |
| 211 | 2 2-3/16 2-1/4 | 1-15/16 2 | 9755 | 5630 | 20000 | 2491 | 1727 | 1457 | 1156 | 1010 | 918 | 802 | 761 | 729 |
| | | | | | 30000 | 2176 | 1509 | 1272 | 1010 | 882 | 802 | 700 | 665 | 636 |
| | | | | | 40000 | 1977 | 1371 | 1156 | 918 | 802 | 728 | 636 | 604 | 578 |
| | | | | | 60000 | 1727 | 1197 | 1010 | 802 | 700 | 636 | 556 | 528 | 505 |
| | | | | | 100000 | 1457 | 1010 | 852 | 676 | 591 | 537 | 469 | 445 | 426 |
| 212 | 2-1/4 2-7/16 | 2-3/16 2-1/4 | 11791 | 6955 | 20000 | 3015 | 2090 | 1765 | 1400 | 1225 | 1110 | 970 | 925 | 880 |
| | | | | | 30000 | 2635 | 1825 | 1540 | 1225 | 1070 | 970 | 880 | 805 | 770 |
| | | | | | 40000 | 2395 | 1660 | 1400 | 1110 | 970 | 880 | 770 | 730 | 700 |
| | | | | | 60000 | 2090 | 1450 | 1225 | 970 | 850 | 770 | 675 | 640 | 610 |
| | | | | | 100000 | 1765 | 1225 | 1030 | 820 | 715 | 650 | 570 | 540 | 515 |
| 214 | 2 11/16 | 2-7/16 2-1/2 | 13995 | 8410 | 20000 | 3580 | 2480 | 2095 | 1660 | 1450 | 1320 | 1155 | 1095 | 1045 |
| | | | | | 30000 | 3125 | 2170 | 1830 | 1450 | 1270 | 1155 | 1005 | 955 | 915 |
| | | | | | 40000 | 2840 | 1970 | 1660 | 1320 | 1155 | 1045 | 915 | 870 | 830 |
| | | | | | 60000 | 2480 | 1720 | 1450 | 1155 | 1005 | 915 | 800 | 760 | 725 |
| | | | | | 100000 | 2095 | 1450 | 1225 | 970 | 850 | 770 | 675 | 640 | 615 |
| 215 | 2-15/16 | 2-11/16 | 14872 | 9255 | 20000 | 3805 | 2640 | 2225 | 1765 | 1545 | 1400 | 1225 | 1165 | 1115 |
| | | | | | 30000 | 3325 | 2305 | 1945 | 1545 | 1350 | 1225 | 1070 | 1015 | 975 |
| | | | | | 40000 | 3020 | 2095 | 1765 | 1400 | 1225 | 1115 | 975 | 925 | 885 |
| | | | | | 60000 | 2640 | 1830 | 1545 | 1225 | 1070 | 975 | 850 | 805 | 770 |
| | | | | | 100000 | 2225 | 1545 | 1300 | 1035 | 905 | 820 | 715 | 680 | 650 |
| 216 | 2-15/16 3 | | 17407 | 11015 | 20000 | 4450 | 3085 | 2605 | 2065 | 1805 | 1640 | 1435 | 1360 | 1300 |
| | | | | | 30000 | 3890 | 2695 | 2275 | 1805 | 1580 | 1435 | 1250 | 1190 | 1140 |
| | | | | | 40000 | 3535 | 2450 | 2065 | 1640 | 1435 | 1300 | 1140 | 1080 | 1035 |
| | | | | | 60000 | 3085 | 2140 | 1805 | 1435 | 1250 | 1140 | 995 | 945 | 905 |
| | | | | | 100000 | 2605 | 1805 | 1525 | 1210 | 1055 | 960 | 840 | 795 | 760 |
| 218 | 3-7/16 3-1/2 | | 21451 | 13940 | 20000 | 5485 | 3805 | 3210 | 2550 | 2225 | 2025 | 1765 | 1680 | 1605 |
| | | | | | 30000 | 4795 | 3325 | 2805 | 2225 | 1945 | 1765 | 1545 | 1465 | 1405 |
| | | | | | 40000 | 4355 | 3020 | 2550 | 2025 | 1765 | 1605 | 1405 | 1335 | 1276 |
| | | | | | 60000 | 3805 | 2640 | 2225 | 1765 | 1545 | 1405 | 1225 | 1165 | 1115 |
| | | | | | 100000 | 3210 | 2225 | 1880 | 1490 | 1300 | 1185 | 1035 | 980 | 940 |

* Slight interference fit required when operating on the right of the heavy line or in the shaded area ** Piloted flange only

| | | | |
|--------------------------------|---------------------------|-----------------------------------|---------------------------------|
| FEATURES/BENEFITS PAGE B3-2 | NOMENCLATURE PAGE B3-4 | SELECTION/DIMENSION PAGE B3-10 | RELATED PRODUCTS PAGE B3-133 |
|--------------------------------|---------------------------|-----------------------------------|---------------------------------|

SELECTION



Setscrew Ball Bearings - Inch

Table 2 (continued): Easy Selection Table for Ball Bearing Mounted Units

| RING SIZE | SHAFT SIZE | | DYNAMIC CAPACITY C. Lbs. | STATIC CAPACITY Co. Lbs. | L10 LIFE HOURS | ALLOWABLE EQUIVALENT RADIAL LOAD RATING (LBS.) AT VARIOUS RPM* | | | | | | | | |
|-----------|------------------------------------|-------------------|--------------------------|--------------------------|----------------|--|------|------|------|------|------|------|------|------|
| | SC, VSC, SL, CC | SCM | | | | 2500 | 3000 | 3500 | 4000 | 4500 | 5000 | 5500 | 6500 | 7500 |
| 203 | 1/2 5/8 | | 2158 | 1000 | 20000 | 150 | 140 | 135 | 130 | 125 | 120 | 115 | 110 | 105 |
| | | | | | 30000 | 130 | 125 | 115 | 110 | 105 | 105 | 100 | 95 | 90 |
| | | | | | 40000 | 120 | 110 | 105 | 100 | 95 | 95 | 90 | 85 | 80 |
| | | | | | 60000 | 105 | 95 | 95 | 90 | 85 | 80 | 80 | 75 | 70 |
| | | | | | 100000 | 85 | 80 | 80 | 75 | 70 | 70 | 65 | 65 | 60 |
| 204 | 1/2 5/8 3/4 13/16 | | 2899 | 1390 | 20000 | 200 | 190 | 180 | 170 | 165 | 160 | 155 | 145 | 140 |
| | | | | | 30000 | 175 | 165 | 155 | 150 | 145 | 140 | 135 | 130 | 120 |
| | | | | | 40000 | 160 | 150 | 145 | 135 | 130 | 125 | 125 | 115 | 110 |
| | | | | | 60000 | 140 | 130 | 125 | 120 | 115 | 110 | 105 | 100 | 95 |
| | | | | | 100000 | 115 | 110 | 105 | 100 | 90 | 95 | 90 | 85 | 80 |
| 205 | 7/8 15/16 1 | | 3146 | 1565 | 20000 | 220 | 205 | 195 | 185 | 180 | 175 | 170 | 160 | 150 |
| | | | | | 30000 | 190 | 180 | 170 | 165 | 155 | 150 | 145 | 140 | 130 |
| | | | | | 40000 | 175 | 165 | 155 | 150 | 140 | 135 | 135 | 125 | 120 |
| | | | | | 60000 | 150 | 140 | 135 | 130 | 125 | 120 | 115 | 110 | 105 |
| | | | | | 100000 | 125 | 120 | 115 | 110 | 105 | 100 | 100 | 95 | 90 |
| 206 | 1-1/16 1-1/8 1-3/16 1-1/4 | 1 | 4368 | 2250 | 20000 | 305 | 285 | 270 | 260 | 250 | 240 | 235 | 200 | |
| | | | | | 30000 | 265 | 250 | 235 | 225 | 220 | 210 | 205 | 195 | |
| | | | | | 40000 | 240 | 225 | 215 | 205 | 200 | 190 | 185 | 175 | |
| | | | | | 60000 | 210 | 200 | 190 | 180 | 175 | 165 | 160 | 155 | |
| | | | | | 100000 | 175 | 165 | 160 | 150 | 145 | 140 | 135 | 130 | |
| 207 | 1-1/4 1-5/16 1-3/8 1-7/16 | 1-3/16 1-1/4 | 5759 | 3065 | 20000 | 400 | 375 | 355 | 340 | 330 | 315 | 305 | | |
| | | | | | 30000 | 350 | 330 | 310 | 300 | 285 | 275 | 270 | | |
| | | | | | 40000 | 315 | 300 | 285 | 270 | 260 | 250 | 245 | | |
| | | | | | 60000 | 275 | 260 | 250 | 235 | 230 | 220 | 125 | | |
| | | | | | 100000 | 235 | 220 | 210 | 200 | 190 | 185 | 180 | | |
| 208 | 1-1/2 1-5/8 | 1-7/16 1-1/2** | 7332 | 4005 | 20000 | 510 | 480 | 455 | 435 | 420 | 405 | | | |
| | | | | | 30000 | 445 | 420 | 400 | 380 | 365 | 355 | | | |
| | | | | | 40000 | 405 | 380 | 360 | 345 | 330 | 320 | | | |
| | | | | | 60000 | 355 | 330 | 315 | 300 | 290 | 280 | | | |
| | | | | | 100000 | 300 | 280 | 265 | 255 | 245 | 235 | | | |
| 209 | 1-5/8 1-11/16 1-3/4 | 1-1/2 | 7891 | 4450 | 20000 | 550 | 515 | 490 | 470 | 450 | 435 | | | |
| | | | | | 30000 | 480 | 450 | 430 | 410 | 395 | 380 | | | |
| | | | | | 40000 | 435 | 410 | 390 | 370 | 360 | 345 | | | |
| | | | | | 60000 | 380 | 360 | 340 | 325 | 310 | 300 | | | |
| | | | | | 100000 | 320 | 300 | 285 | 275 | 265 | 255 | | | |
| 210 | 1-15/16 2 | 1-11/16 1-3/4 | 7891 | 4450 | 20000 | 550 | 515 | 490 | 470 | 450 | | | | |
| | | | | | 30000 | 480 | 450 | 430 | 410 | 395 | | | | |
| | | | | | 40000 | 435 | 410 | 390 | 370 | 360 | | | | |
| | | | | | 60000 | 380 | 360 | 340 | 325 | 310 | | | | |
| | | | | | 100000 | 320 | 300 | 285 | 275 | 265 | | | | |
| 211 | 2 2-3/16 2-1/4 | 1-15/16 2 | 9755 | 5630 | 20000 | 676 | 636 | 604 | 578 | | | | | |
| | | | | | 30000 | 591 | 556 | 528 | 505 | | | | | |
| | | | | | 40000 | 537 | 505 | 480 | 459 | | | | | |
| | | | | | 60000 | 469 | 441 | 419 | 401 | | | | | |
| | | | | | 100000 | 395 | 372 | 353 | 338 | | | | | |
| 212 | 2-1/4 2-7/16 | 2-3/16 2-1/4 | 11791 | 6955 | 20000 | 820 | 770 | 730 | | | | | | |
| | | | | | 30000 | 715 | 675 | 640 | | | | | | |
| | | | | | 40000 | 650 | 610 | 580 | | | | | | |
| | | | | | 60000 | 570 | 535 | 510 | | | | | | |
| | | | | | 100000 | 480 | 450 | 430 | | | | | | |
| 214 | 2 11/16 | 2-7/16 2-1/2 | 13995 | 8410 | 20000 | 970 | 915 | | | | | | | |
| | | | | | 30000 | 850 | 800 | | | | | | | |
| | | | | | 40000 | 770 | 725 | | | | | | | |
| | | | | | 60000 | 675 | 635 | | | | | | | |
| | | | | | 100000 | 570 | 535 | | | | | | | |
| 215 | 2-15/16 | 2-11/16 | 14872 | 9255 | 20000 | 1035 | 975 | | | | | | | |
| | | | | | 30000 | 905 | 850 | | | | | | | |
| | | | | | 40000 | 820 | 770 | | | | | | | |
| | | | | | 60000 | 715 | 675 | | | | | | | |
| | | | | | 100000 | 605 | 570 | | | | | | | |
| 216 | | 2-15/16 3 | 17407 | 11015 | 20000 | 1210 | | | | | | | | |
| | | | | | 30000 | 1055 | | | | | | | | |
| | | | | | 40000 | 960 | | | | | | | | |
| | | | | | 60000 | 840 | | | | | | | | |
| | | | | | 100000 | 705 | | | | | | | | |
| 218 | | 3-7/16 3-1/2 | 21451 | 13940 | 20000 | | | | | | | | | |
| | | | | | 30000 | | | | | | | | | |
| | | | | | 40000 | | | | | | | | | |
| | | | | | 60000 | | | | | | | | | |
| | | | | | 100000 | | | | | | | | | |

* Slight interference fit required when operating on the right of the heavy line or in the shaded area ** Piloted flange only

| | | | |
|--------------------------------|---------------------------|-----------------------------------|---------------------------------|
| FEATURES/BENEFITS PAGE B3-2 | NOMENCLATURE PAGE B3-4 | SELECTION/DIMENSION PAGE B3-10 | RELATED PRODUCTS PAGE B3-133 |
|--------------------------------|---------------------------|-----------------------------------|---------------------------------|

SELECTION



Setscrew Ball Bearings - Metric

Table 2 (continued): Easy Selection Table for Ball Bearing Mounted Units

| RING SIZE | SHAFT SIZE | | DYNAMIC CAPACITY C, N. | STATIC CAPACITY Co, N. | L10 LIFE HOURS | ALLOWABLE EQUIVALENT RADIAL LOAD RATING (N.) AT VARIOUS RPM* | | | | | | | | |
|-----------|-----------------|------|------------------------|------------------------|----------------|--|-------|-------|-------|------|------|------|------|------|
| | SC, VSC, SL, CC | SCM | | | | 50 | 150 | 250 | 500 | 750 | 1000 | 1500 | 1750 | 2000 |
| 203 | 17mm | | 9600 | 4450 | 20000 | 2446 | 1690 | 1423 | 1134 | 1001 | 912 | 778 | 756 | 712 |
| | | | | | 30000 | 2135 | 1490 | 1245 | 1001 | 867 | 778 | 689 | 645 | 623 |
| | | | | | 40000 | 1957 | 1357 | 1134 | 912 | 778 | 712 | 623 | 600 | 578 |
| | | | | | 60000 | 1690 | 1179 | 1001 | 778 | 689 | 623 | 556 | 512 | 489 |
| | | | | | 100000 | 1423 | 1001 | 845 | 667 | 578 | 534 | 467 | 445 | 423 |
| 204 | 20mm | | 12895 | 6185 | 20000 | 3292 | 2291 | 1935 | 1535 | 1334 | 1223 | 1068 | 1001 | 956 |
| | | | | | 30000 | 2869 | 2002 | 1690 | 1334 | 1156 | 1068 | 934 | 890 | 845 |
| | | | | | 40000 | 2624 | 1824 | 1535 | 1223 | 1068 | 956 | 845 | 801 | 756 |
| | | | | | 60000 | 2291 | 1579 | 1334 | 1068 | 934 | 845 | 734 | 689 | 667 |
| | | | | | 100000 | 1935 | 1334 | 1134 | 890 | 778 | 712 | 623 | 578 | 556 |
| 205 | 25mm | | 13995 | 6964 | 20000 | 3581 | 2491 | 2091 | 1668 | 1446 | 1312 | 1156 | 1090 | 1045 |
| | | | | | 30000 | 3136 | 2157 | 1824 | 1446 | 1268 | 1156 | 1001 | 956 | 912 |
| | | | | | 40000 | 2847 | 1979 | 1668 | 1312 | 1156 | 1045 | 912 | 867 | 823 |
| | | | | | 60000 | 2491 | 1712 | 1446 | 1156 | 1001 | 912 | 801 | 756 | 734 |
| | | | | | 100000 | 2091 | 1446 | 1223 | 979 | 845 | 778 | 667 | 645 | 600 |
| 206 | 30mm | 25mm | 18993 | 10013 | 20000 | 4960 | 3447 | 2913 | 2313 | 2024 | 1824 | 1601 | 1512 | 1446 |
| | | | | | 30000 | 4337 | 3002 | 2535 | 2024 | 1757 | 1601 | 1401 | 1334 | 1268 |
| | | | | | 40000 | 3936 | 2736 | 2313 | 1824 | 1601 | 1446 | 1268 | 1201 | 1156 |
| | | | | | 60000 | 3447 | 2380 | 2024 | 1601 | 1401 | 1268 | 1112 | 1045 | 1001 |
| | | | | | 100000 | 2913 | 2024 | 1690 | 1357 | 1179 | 1068 | 934 | 890 | 845 |
| 207 | 35mm | 30mm | 25628 | 13639 | 20000 | 6561 | 4537 | 3825 | 3047 | 2647 | 2424 | 2113 | 2002 | 1913 |
| | | | | | 30000 | 5716 | 3959 | 3358 | 2674 | 2313 | 2113 | 1846 | 1757 | 1668 |
| | | | | | 40000 | 5204 | 3603 | 3047 | 2424 | 2113 | 1913 | 1668 | 1579 | 1512 |
| | | | | | 60000 | 4537 | 3158 | 2647 | 2113 | 1846 | 1669 | 1468 | 1379 | 1334 |
| | | | | | 100000 | 3825 | 2647 | 2246 | 1779 | 1557 | 1401 | 1223 | 1179 | 1112 |
| 208 | 40mm | 35mm | 32627 | 17822 | 20000 | 8340 | 5782 | 4871 | 3870 | 3380 | 3069 | 2691 | 2558 | 2446 |
| | | | | | 30000 | 7295 | 5048 | 4270 | 3380 | 2958 | 2691 | 2335 | 2224 | 2135 |
| | | | | | 40000 | 6628 | 4581 | 3870 | 3069 | 2691 | 2446 | 2135 | 2024 | 1935 |
| | | | | | 60000 | 5782 | 4003 | 3380 | 2691 | 2335 | 2135 | 1868 | 1779 | 1690 |
| | | | | | 100000 | 4871 | 3380 | 2847 | 2268 | 1979 | 1801 | 1579 | 1490 | 1423 |
| 209 | 45mm | 40mm | 35115 | 19803 | 20000 | 8985 | 6227 | 5249 | 4159 | 3647 | 3314 | 2891 | 2736 | 2624 |
| | | | | | 30000 | 7851 | 5449 | 4581 | 3649 | 3180 | 2891 | 2535 | 2402 | 2291 |
| | | | | | 40000 | 7117 | 4937 | 4159 | 3314 | 2891 | 2624 | 2291 | 2180 | 2091 |
| | | | | | 60000 | 6227 | 4315 | 3647 | 2891 | 2535 | 2291 | 2002 | 1913 | 1824 |
| | | | | | 100000 | 5249 | 3647 | 3069 | 2446 | 2135 | 1935 | 1690 | 1601 | 1535 |
| 210 | 50mm | 45mm | 35115 | 19803 | 20000 | 8985 | 6227 | 5249 | 4159 | 3647 | 3314 | 2891 | 2736 | 2624 |
| | | | | | 30000 | 7851 | 5449 | 4581 | 3647 | 3180 | 2891 | 2535 | 2402 | 2291 |
| | | | | | 40000 | 7117 | 4937 | 4159 | 3314 | 2891 | 2624 | 2291 | 2180 | 2091 |
| | | | | | 60000 | 6227 | 4315 | 3647 | 2891 | 2535 | 2291 | 2002 | 1913 | 1824 |
| | | | | | 100000 | 5249 | 3647 | 3069 | 2446 | 2135 | 1935 | 1690 | 1601 | 1535 |
| 211 | 55mm | 50mm | 43394 | 25054 | 20000 | 11079 | 7682 | 6479 | 5142 | 4492 | 4082 | 3566 | 3387 | 3241 |
| | | | | | 30000 | 9678 | 6711 | 5660 | 4492 | 3924 | 3566 | 3115 | 2959 | 2831 |
| | | | | | 40000 | 8793 | 6097 | 5142 | 4082 | 3566 | 3240 | 2830 | 2688 | 2572 |
| | | | | | 60000 | 7682 | 5326 | 4492 | 3566 | 3115 | 2830 | 2472 | 2348 | 2247 |
| | | | | | 100000 | 6479 | 4492 | 3789 | 3007 | 2627 | 2387 | 2085 | 1981 | 1895 |
| 212 | 60mm | 55mm | 52470 | 30950 | 20000 | 13411 | 9296 | 7851 | 6227 | 5449 | 4937 | 4315 | 4114 | 3914 |
| | | | | | 30000 | 11720 | 8118 | 6850 | 5449 | 4759 | 4315 | 3914 | 3581 | 3425 |
| | | | | | 40000 | 10653 | 7384 | 6227 | 4937 | 4315 | 3914 | 3425 | 3247 | 3114 |
| | | | | | 60000 | 9296 | 6450 | 5449 | 4315 | 3781 | 3425 | 3002 | 2847 | 2713 |
| | | | | | 100000 | 7851 | 5449 | 4581 | 3647 | 3180 | 2891 | 2535 | 2402 | 2291 |
| 214 | 70mm | 65mm | 62278 | 37425 | 20000 | 15924 | 11031 | 9319 | 7384 | 6450 | 5871 | 5137 | 4871 | 4648 |
| | | | | | 30000 | 13900 | 9672 | 8140 | 6450 | 5649 | 5137 | 4470 | 4248 | 4070 |
| | | | | | 40000 | 12632 | 8763 | 7384 | 5871 | 5137 | 4648 | 4070 | 3870 | 3692 |
| | | | | | 60000 | 11031 | 7651 | 6450 | 5137 | 4470 | 4070 | 3558 | 3380 | 3225 |
| | | | | | 100000 | 9319 | 6450 | 5449 | 4315 | 3781 | 3425 | 3002 | 2847 | 2736 |
| 215 | 75mm | 70mm | 66180 | 41185 | 20000 | 16925 | 11743 | 9897 | 7851 | 6872 | 6227 | 5449 | 5182 | 4960 |
| | | | | | 30000 | 14790 | 10253 | 8651 | 6872 | 6005 | 5449 | 4759 | 4515 | 4337 |
| | | | | | 40000 | 13433 | 9319 | 7851 | 6227 | 5449 | 4960 | 4337 | 4114 | 3936 |
| | | | | | 60000 | 11743 | 8140 | 6872 | 5449 | 4759 | 4337 | 3781 | 3581 | 3425 |
| | | | | | 100000 | 9897 | 6872 | 5782 | 4604 | 4025 | 3647 | 3180 | 3025 | 2891 |
| 216 | 75mm | | 77426 | 49155 | 20000 | 19794 | 13722 | 11587 | 9185 | 8029 | 7295 | 6383 | 6049 | 5782 |
| | | | | | 30000 | 17303 | 11987 | 10119 | 8029 | 7028 | 6383 | 5560 | 5293 | 5071 |
| | | | | | 40000 | 15724 | 10898 | 9185 | 7295 | 6383 | 5782 | 5071 | 4804 | 4604 |
| | | | | | 60000 | 13722 | 9519 | 8029 | 6393 | 5560 | 5071 | 4426 | 4203 | 4025 |
| | | | | | 100000 | 11587 | 8029 | 6783 | 5382 | 4693 | 4270 | 3736 | 3536 | 3380 |
| 218 | 85mm | | 95371 | 62005 | 20000 | 24397 | 16925 | 14278 | 11342 | 9897 | 9007 | 7851 | 7473 | 7139 |
| | | | | | 30000 | 21328 | 14790 | 12477 | 9897 | 8651 | 7851 | 6872 | 6516 | 6249 |
| | | | | | 40000 | 19371 | 13433 | 11342 | 9007 | 7851 | 7139 | 6249 | 5938 | 5676 |
| | | | | | 60000 | 16925 | 11743 | 9897 | 7851 | 6872 | 6249 | 5449 | 5182 | 4960 |
| | | | | | 100000 | 14278 | 9897 | 8362 | 6628 | 5782 | 5271 | 4604 | 4359 | 4181 |

* Slight interference fit required when operating on the right of the heavy line or in the shaded area

| | | | |
|--------------------------------|---------------------------|-----------------------------------|---------------------------------|
| FEATURES/BENEFITS PAGE B3-2 | NOMENCLATURE PAGE B3-4 | SELECTION/DIMENSION PAGE B3-10 | RELATED PRODUCTS PAGE B3-133 |
|--------------------------------|---------------------------|-----------------------------------|---------------------------------|

SELECTION



Setscrew Ball Bearings - Metric

Table 2 (continued): Easy Selection Table for Ball Bearing Mounted Units

| RING SIZE | SHAFT SIZE | | DYNAMIC CAPACITY C. N. | STATIC CAPACITY Co. N. | L10 LIFE HOURS | ALLOWABLE EQUIVALENT RADIAL LOAD RATING (N.) AT VARIOUS RPM* | | | | | | | | | |
|-----------|----------------|------|------------------------|------------------------|----------------|--|------|------|------|------|------|------|------|------|--|
| | SC, VSC, SL, C | SCM | | | | 2500 | 3000 | 3500 | 4000 | 4500 | 5000 | 5500 | 6500 | 7500 | |
| 203 | 17mm | | 9600 | 4450 | 20000 | 667 | 623 | 600 | 578 | 556 | 534 | 512 | 489 | 467 | |
| | | | | | 30000 | 578 | 556 | 512 | 489 | 467 | 445 | 423 | 400 | | |
| | | | | | 40000 | 534 | 489 | 467 | 445 | 423 | 400 | 378 | 356 | | |
| | | | | | 60000 | 467 | 423 | 423 | 400 | 378 | 356 | 334 | 311 | | |
| | | | | | 100000 | 378 | 356 | 356 | 334 | 311 | 311 | 289 | 267 | | |
| 204 | 20mm | | 12895 | 6185 | 20000 | 890 | 845 | 801 | 756 | 734 | 712 | 689 | 645 | 623 | |
| | | | | | 30000 | 778 | 724 | 689 | 667 | 645 | 623 | 600 | 578 | 534 | |
| | | | | | 40000 | 712 | 667 | 645 | 600 | 578 | 556 | 512 | 489 | | |
| | | | | | 60000 | 623 | 578 | 556 | 534 | 512 | 489 | 467 | 445 | 423 | |
| | | | | | 100000 | 512 | 489 | 467 | 445 | 400 | 423 | 400 | 378 | 356 | |
| 205 | 25mm | | 13995 | 6964 | 20000 | 979 | 912 | 867 | 823 | 801 | 778 | 756 | 712 | 667 | |
| | | | | | 30000 | 845 | 801 | 756 | 734 | 689 | 667 | 645 | 623 | 578 | |
| | | | | | 40000 | 778 | 734 | 689 | 667 | 623 | 600 | 600 | 556 | 534 | |
| | | | | | 60000 | 667 | 623 | 600 | 578 | 556 | 534 | 512 | 489 | 467 | |
| | | | | | 100000 | 556 | 534 | 512 | 489 | 467 | 445 | 445 | 423 | 400 | |
| 206 | 30mm | 25mm | 18993 | 10013 | 20000 | 1357 | 1268 | 1201 | 1156 | 1112 | 1068 | 1045 | 979 | | |
| | | | | | 30000 | 1179 | 1112 | 1045 | 1001 | 979 | 934 | 912 | 867 | | |
| | | | | | 40000 | 1068 | 1001 | 958 | 912 | 890 | 845 | 823 | 778 | | |
| | | | | | 60000 | 934 | 890 | 845 | 801 | 778 | 734 | 712 | 689 | | |
| | | | | | 100000 | 778 | 734 | 712 | 667 | 645 | 623 | 600 | 578 | | |
| 207 | 35mm | 30mm | 25628 | 13639 | 20000 | 1779 | 1668 | 1579 | 1512 | 1468 | 1401 | 1357 | | | |
| | | | | | 30000 | 1557 | 1468 | 1379 | 1134 | 1268 | 1223 | 1201 | | | |
| | | | | | 40000 | 1401 | 1334 | 1268 | 1201 | 1156 | 1112 | 1090 | | | |
| | | | | | 60000 | 1223 | 1156 | 1112 | 1045 | 1023 | 979 | 956 | | | |
| | | | | | 100000 | 1045 | 979 | 934 | 890 | 845 | 823 | 801 | | | |
| 208 | 40mm | 35mm | 32627 | 17822 | 20000 | 2268 | 2135 | 2024 | 1935 | 1868 | 1801 | | | | |
| | | | | | 30000 | 1979 | 1868 | 1779 | 1690 | 1624 | 1579 | | | | |
| | | | | | 40000 | 1801 | 1690 | 1601 | 1535 | 1468 | 1423 | | | | |
| | | | | | 60000 | 1576 | 1468 | 1401 | 1334 | 1290 | 1245 | | | | |
| | | | | | 100000 | 1334 | 1245 | 1179 | 1134 | 1090 | 1045 | | | | |
| 209 | 45mm | 40mm | 35115 | 19803 | 20000 | 2446 | 2291 | 2180 | 2091 | 2002 | 1935 | | | | |
| | | | | | 30000 | 2135 | 2002 | 1913 | 1824 | 1757 | 1690 | | | | |
| | | | | | 40000 | 1935 | 1824 | 1735 | 1646 | 1601 | 1535 | | | | |
| | | | | | 60000 | 1690 | 1601 | 1512 | 1446 | 1379 | 1334 | | | | |
| | | | | | 100000 | 1423 | 1334 | 1268 | 1223 | 1179 | 1134 | | | | |
| 210 | 50mm | 45mm | 35115 | 19803 | 20000 | 2446 | 2291 | 2180 | 2091 | 2002 | | | | | |
| | | | | | 30000 | 2135 | 2002 | 1913 | 1824 | 1757 | | | | | |
| | | | | | 40000 | 1935 | 1824 | 1735 | 1646 | 1601 | | | | | |
| | | | | | 60000 | 1690 | 1601 | 1512 | 1446 | 1379 | | | | | |
| | | | | | 100000 | 1423 | 1334 | 1268 | 1223 | 1179 | | | | | |
| 211 | 55mm | 50mm | 43394 | 25054 | 20000 | 3007 | 2830 | 2688 | 2571 | | | | | | |
| | | | | | 30000 | 2627 | 2472 | 2348 | 2246 | | | | | | |
| | | | | | 40000 | 2387 | 2246 | 2134 | 2041 | | | | | | |
| | | | | | 60000 | 2085 | 1962 | 1864 | 1783 | | | | | | |
| | | | | | 100000 | 1759 | 1655 | 1572 | 1504 | | | | | | |
| 212 | 60mm | 55mm | 52470 | 30950 | 20000 | 3647 | 3425 | 3247 | | | | | | | |
| | | | | | 30000 | 3180 | 3002 | 2847 | | | | | | | |
| | | | | | 40000 | 2891 | 2713 | 2580 | | | | | | | |
| | | | | | 60000 | 2535 | 2380 | 2268 | | | | | | | |
| | | | | | 100000 | 2135 | 2002 | 1913 | | | | | | | |
| 214 | 70mm | 65mm | 62278 | 37425 | 20000 | 4315 | 4070 | | | | | | | | |
| | | | | | 30000 | 3781 | 3558 | | | | | | | | |
| | | | | | 40000 | 3425 | 3225 | | | | | | | | |
| | | | | | 60000 | 3002 | 2824 | | | | | | | | |
| | | | | | 100000 | 2535 | 2380 | | | | | | | | |
| 215 | 75mm | 70mm | 66180 | 41185 | 20000 | 4604 | 4337 | | | | | | | | |
| | | | | | 30000 | 4025 | 3781 | | | | | | | | |
| | | | | | 40000 | 3647 | 3425 | | | | | | | | |
| | | | | | 60000 | 3180 | 3002 | | | | | | | | |
| | | | | | 100000 | 2691 | 2535 | | | | | | | | |
| 216 | | 75mm | 77426 | 49155 | 20000 | 5382 | | | | | | | | | |
| | | | | | 30000 | 4693 | | | | | | | | | |
| | | | | | 40000 | 4270 | | | | | | | | | |
| | | | | | 60000 | 3736 | | | | | | | | | |
| | | | | | 100000 | 3136 | | | | | | | | | |
| 218 | | 85mm | 95371 | 62005 | 20000 | | | | | | | | | | |
| | | | | | 30000 | | | | | | | | | | |
| | | | | | 40000 | | | | | | | | | | |
| | | | | | 60000 | | | | | | | | | | |
| | | | | | 100000 | | | | | | | | | | |

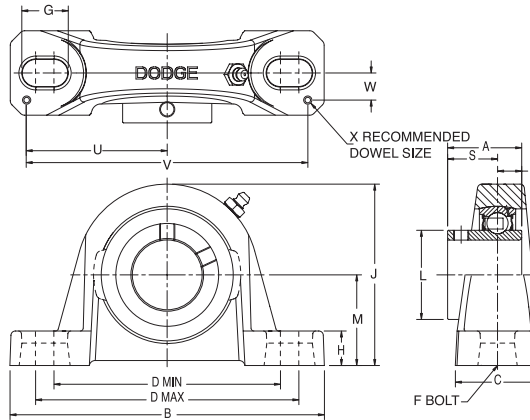
* Slight interference fit required when operating on the right of the heavy line or in the shaded area

| | | | |
|--------------------------------|---------------------------|-----------------------------------|---------------------------------|
| FEATURES/BENEFITS PAGE B3-2 | NOMENCLATURE PAGE B3-4 | SELECTION/DIMENSION PAGE B3-10 | RELATED PRODUCTS PAGE B3-133 |
|--------------------------------|---------------------------|-----------------------------------|---------------------------------|

SELECTION/DIMENSIONS



Setscrew Ball Bearings SC AND SCU NORMAL DUTY PILLOW BLOCKS



Lube Fitting

203 series - 1/4-28 tapered thread
204 series and larger - 1/8-27 NPT

| Series | Shaft Size | Standard | | No-Lube/Sealed for Life (-NL) | | With Flingers | |
|-----------|------------|---------------|--------------|-------------------------------|-----------------|---------------|-----------------|
| | | Part No. | Description | Part No. | Description | Part No. | Description |
| 203 | 1/2 | 123830 | P2B-SC-008 | 123932 | P2B-SC-008-NL | @ | P2B-SC-008-FF |
| | 5/8 | 123831 | P2B-SC-010 | 126500 | P2B-SC-010-NL | 124575 | P2B-SC-010-FF |
| | 17mm | 053170 | P2B-SC-17M | @ | P2B-SC-17M-NL | @ | P2B-SC-17M-FF |
| 203 (SCU) | 1/2 | 123753 | P2B-SCU-008 | @ | P2B-SCU-008-NL | @ | P2B-SCU-008-FF |
| | 5/8 | 123754 | P2B-SCU-010 | @ | P2B-SCU-010-NL | @ | P2B-SCU-010-FF |
| | 17mm | 125850 | P2B-SCU-17M | @ | P2B-SCU-17M-NL | @ | P2B-SCU-17M-FF |
| 204 | 1/2 | 123835 | P2B-SC-008L | 052101 | P2B-SC-008L-NL | @ | P2B-SC-008L-FF |
| | 5/8 | 123836 | P2B-SC-010L | @ | P2B-SC-010L-NL | @ | P2B-SC-010L-FF |
| | 3/4 | 123803 | P2B-SC-012 | 052012 | P2B-SC-012-NL | 053256 | P2B-SC-012-FF |
| | 20mm | 125851 | P2B-SC-20M | 068372 | P2B-SC-20M-NL | @ | P2B-SC-20M-FF |
| 205 | 7/8 | 123804 | P2B-SC-014 | 126502 | P2B-SC-014-NL | @ | P2B-SC-014-FF |
| | 15/16 | 123805 | P2B-SC-015 | 126503 | P2B-SC-015-NL | 124029 | P2B-SC-015-FF |
| | 1 | 123806 | P2B-SC-100 | 123824 | P2B-SC-100-NL | 123779 | P2B-SC-100-FF |
| | 25mm | 125852 | P2B-SC-25M | 056744 | P2B-SC-25M-NL | @ | P2B-SC-25M-FF |
| 206 | 1-1/16 | 123807 | P2B-SC-101 | 126504 | P2B-SC-101-NL | @ | P2B-SC-101-FF |
| | 1-1/8 | 123808 | P2B-SC-102 | 126505 | P2B-SC-102-NL | 125383 | P2B-SC-102-FF |
| | 1-3/16 | 123809 | P2B-SC-103 | 123828 | P2B-SC-103-NL | 050270 | P2B-SC-103-FF |
| | 1-1/4 | 123170 | P2B-SC-104S | 049852 | P2B-SC-104S-NL | @ | P2B-SC-104S-FF |
| | 30mm | 125853 | P2B-SC-30M | @ | P2B-SC-30M-NL | 053198 | P2B-SC-30M-FF |
| 206 (SCU) | 1-1/16 | 123877 | P2B-SCU-101 | @ | P2B-SCU-101-NL | @ | P2B-SCU-101-FF |
| | 1-1/8 | 123878 | P2B-SCU-102 | @ | P2B-SCU-102-NL | @ | P2B-SCU-102-FF |
| | 1-3/16 | 123879 | P2B-SCU-103 | 050837 | P2B-SCU-103-NL | @ | P2B-SCU-103-FF |
| | 1-1/4 | 123894 | P2B-SCU-104S | @ | P2B-SCU-104S-NL | 067855 | P2B-SCU-104S-FF |
| | 30mm | 125854 | P2B-SCU-30M | @ | P2B-SCU-30M-NL | @ | P2B-SCU-30M-FF |
| 207 | 1-1/4 | 123810 | P2B-SC-104 | 123933 | P2B-SC-104-NL | 123097 | P2B-SC-104-FF |
| | 1-5/16 | 123811 | P2B-SC-105 | @ | P2B-SC-105-NL | @ | P2B-SC-105-FF |
| | 1-3/8 | 123812 | P2B-SC-106 | 123781 | P2B-SC-106-NL | 054695 | P2B-SC-106-FF |
| | 1-7/16 | 123813 | P2B-SC-107 | 123792 | P2B-SC-107-NL | 051571 | P2B-SC-107-FF |
| | 35mm | 125855 | P2B-SC-35M | @ | P2B-SC-35M-NL | @ | P2B-SC-35M-FF |

@ Assembled to order.

| | | | |
|--------------------------------|---------------------------|------------------------|---------------------------------|
| FEATURES/BENEFITS PAGE B3-2 | NOMENCLATURE PAGE B3-4 | SELECTION PAGE B3-5 | RELATED PRODUCTS PAGE B3-133 |
|--------------------------------|---------------------------|------------------------|---------------------------------|

SELECTION/DIMENSIONS



Setscrew Ball Bearings SC AND SCU NORMAL DUTY PILLOW BLOCKS

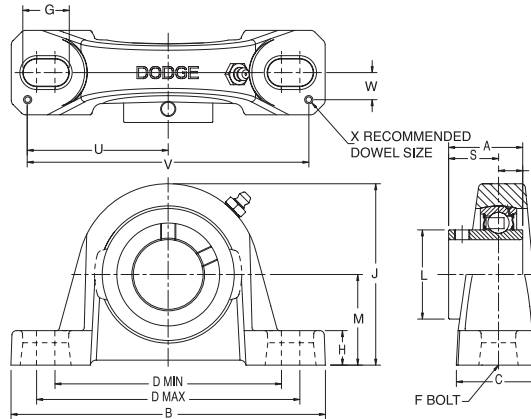
| Series | Shaft Size | Weight lbs. kgs. | A | B | C | D | | F Bolt Dia. | G | H | J | L | M | R | S | U | V | W | X |
|-----------|------------|------------------|---------|-------|---------|---------|--------|-------------|-------|-------|---------|---------|---------|-------|--------|---------|---------|------|------|
| | | | | | | Min. | Max. | | | | | | | | | | | | |
| 203 | 1/2 | 1.1 | 1 | 5 | 1-13/64 | 3-1/4 | 4-1/16 | 3/8 | 27/32 | 15/32 | 2-9/64 | 31/32 | 1-1/16 | 23/64 | 41/64 | 2-1/4 | 4-1/2 | 3/8 | 1/8 |
| | 5/8 | 1.0 | | | | | | | | | | | | | | | | | |
| | 17mm | 0.4 | 25.4 | 127.0 | 30.6 | 82.6 | 103.2 | M10 | 21.4 | 11.9 | 54.4 | 24.6 | 27.0 | 9.1 | 16.3 | 57.2 | 114.3 | 9.5 | 3.2 |
| 203 (SCU) | 1/2 | 1.2 | 1 | 5 | 1-13/64 | 3-1/4 | 4-1/16 | 3/8 | 27/32 | 19/32 | 2-17/64 | 31/32 | 1-3/16 | 23/64 | 41/64 | 2-1/4 | 4-1/2 | 3/8 | 1/8 |
| | 5/8 | 1.0 | | | | | | | | | | | | | | | | | |
| | 17mm | 0.4 | 25.4 | 127.0 | 30.6 | 82.6 | 103.2 | M10 | 21.4 | 15.1 | 57.5 | 24.6 | 30.2 | 9.1 | 16.3 | 57.2 | 114.3 | 9.5 | 3.2 |
| 204 | 1/2 | 1.6 | 1-5/32 | 5-1/4 | 1-21/64 | 3-3/8 | 4-3/16 | 3/8 | 27/32 | 33/64 | 2-9/16 | 1-1/8 | 1-5/16 | 27/64 | 47/64 | 2-1/4 | 4-1/2 | 1/2 | 1/8 |
| | 5/8 | 1.5 | | | | | | | | | | | | | | | | | |
| | 3/4 | 1.4 | | | | | | | | | | | | | | | | | |
| | 20mm | 0.7 | 29.4 | 133.4 | 33.7 | 85.7 | 106.4 | M10 | 21.4 | 13.1 | 65.1 | 28.6 | 33.3 | 10.7 | 18.7 | 57.2 | 114.3 | 12.7 | 3.2 |
| 205 | 7/8 | 1.8 | 1-3/16 | 5-1/2 | 1-13/32 | 3-11/16 | 4-1/2 | 3/8 | 27/32 | 37/64 | 2-25/32 | 1-5/16 | 1-7/16 | 27/64 | 49/64 | 2-1/2 | 5 | 1/2 | 3/16 |
| | 15/16 | 1.7 | | | | | | | | | | | | | | | | | |
| | 1 25mm | 1.6 0.7 | 30.2 | 139.7 | 35.7 | 93.7 | 114.3 | M10 | 21.4 | 14.7 | 70.6 | 33.3 | 36.5 | 10.7 | 19.4 | 63.5 | 127.0 | 12.7 | 4.8 |
| 206 | 1-1/16 | 2.8 | 1-25/64 | 6-1/4 | 1-47/64 | 4-1/4 | 5 | 1/2 | 15/16 | 11/16 | 3-1/4 | 1-37/64 | 1-5/8 | 31/64 | 29/32 | 2-7/8 | 5-3/4 | 9/16 | 3/16 |
| | 1-1/8 | 2.7 | | | | | | | | | | | | | | | | | |
| | 1-3/16 | 2.6 | | | | | | | | | | | | | | | | | |
| | 1-1/4 30mm | 2.5 1.1 | 35.3 | 158.8 | 44.1 | 108.0 | 127.0 | M12 | 23.8 | 17.5 | 82.6 | 40.1 | 41.3 | 12.3 | 23.0 | 73.0 | 146.1 | 14.3 | 4.8 |
| 206 (SCU) | 1-1/16 | 2.9 | 1-25/64 | 6-1/4 | 1-47/64 | 4-1/4 | 5 | 1/2 | 15/16 | 3/4 | 3-5/16 | 1-37/64 | 1-11/16 | 31/64 | 29/32 | 2-7/8 | 5-3/4 | 9/16 | 3/16 |
| | 1-1/8 | 2.8 | | | | | | | | | | | | | | | | | |
| | 1-3/16 | 2.7 | | | | | | | | | | | | | | | | | |
| | 1-1/4 30mm | 2.6 1.1 | 35.3 | 158.8 | 44.1 | 108.0 | 127.0 | M12 | 23.8 | 19.1 | 84.1 | 40.1 | 42.9 | 12.3 | 23.0 | 73.0 | 146.1 | 14.3 | 4.8 |
| 207 | 1-1/4 | 4.5 | 1-17/32 | 6-1/2 | 1-47/64 | 4-11/16 | 5-7/16 | 1/2 | 15/16 | 45/64 | 3-3/4 | 1-27/32 | 1-7/8 | 1/2 | 1-1/32 | 2-29/32 | 5-13/16 | 9/16 | 3/16 |
| | 1-5/16 | 4.4 | | | | | | | | | | | | | | | | | |
| | 1-3/8 | 4.3 | | | | | | | | | | | | | | | | | |
| | 1-7/16 | 4.2 | | | | | | | | | | | | | | | | | |
| | 35mm | 1.5 | 38.9 | 165.1 | 44.1 | 119.1 | 138.1 | M12 | 23.8 | 17.9 | 95.3 | 46.8 | 47.6 | 12.7 | 26.2 | 73.8 | 147.6 | 14.3 | 4.8 |

| | | | |
|--------------------------------|---------------------------|------------------------|---------------------------------|
| FEATURES/BENEFITS PAGE B3-2 | NOMENCLATURE PAGE B3-4 | SELECTION PAGE B3-5 | RELATED PRODUCTS PAGE B3-133 |
|--------------------------------|---------------------------|------------------------|---------------------------------|

SELECTION/DIMENSIONS



Setscrew Ball Bearings SC AND SCU NORMAL DUTY PILLOW BLOCKS



Lube Fitting

203 series - 1/4-28 tapered thread
204 series and larger - 1/8-27 NPT

| Series | Shaft Size | Standard | | No-Lube/Sealed for Life (-NL) | | With Flingers | |
|-----------|------------|---------------|--------------------|-------------------------------|-----------------------|---------------|-----------------------|
| | | Part No. | Description | Part No. | Description | Part No. | Description |
| 208 | 1-1/2 | 123814 | P2B-SC-108 | 123829 | P2B-SC-108-NL | 125172 | P2B-SC-108-FF |
| | 1-5/8 | 123815 | P2B-SC-110 | 126510 | P2B-SC-110-NL | 051996 | P2B-SC-110-FF |
| | 40mm | 056855 | <i>P2B-SC-40M</i> | 067679 | <i>P2B-SC-40M-NL</i> | 053199 | <i>P2B-SC-40M-FF</i> |
| 209 | 1-5/8 | 125169 | P2B-SC-110L | @ | P2B-SC-110L-NL | @ | P2B-SC-110L-FF |
| | 1-11/16 | 123816 | P2B-SC-111 | 123784 | P2B-SC-111-NL | 064657 | P2B-SC-111-FF |
| | 1-3/4 | 123817 | P2B-SC-112 | 123782 | P2B-SC-112-NL | 051896 | P2B-SC-112-FF |
| | 45mm | 125857 | <i>P2B-SC-45M</i> | 067925 | <i>P2B-SC-45M-NL</i> | 052259 | <i>P2B-SC-45M-FF</i> |
| 210 | 1-15/16 | 123818 | P2B-SC-115 | 123793 | P2B-SC-115-NL | @ | P2B-SC-115-FF |
| | 2 | 123819 | P2B-SC-200 | 123939 | P2B-SC-200-NL | @ | P2B-SC-200-FF |
| | 50mm | 125858 | <i>P2B-SC-50M</i> | @ | <i>P2B-SC-50M-NL</i> | @ | <i>P2B-SC-50M-FF</i> |
| 211 | 2 | 126815 | P2B-SCM-200 | 126547 | P2B-SCM-200-NL | 054561 | P2B-SCM-200-FF |
| | 2-3/16 | 123820 | P2B-SC-203 | 123783 | P2B-SC-203-NL | 056759 | P2B-SC-203-FF |
| | 2-1/4 | 123821 | P2B-SC-204 | 126513 | P2B-SC-204-NL | 057335 | P2B-SC-204-FF |
| | 55mm | 125859 | <i>P2B-SC-55M</i> | @ | <i>P2B-SC-55M-NL</i> | @ | <i>P2B-SC-55M-FF</i> |
| 212 | 2-1/4 | 126817 | P2B-SCM-204 | @ | P2B-SCM-204-NL | @ | P2B-SCM-204-FF |
| | 2-7/16 | 123822 | P2B-SC-207 | 123987 | P2B-SC-207-NL | 054265 | P2B-SC-207-FF |
| | 60mm | 125860 | <i>P2B-SC-60M</i> | 062162 | <i>P2B-SC-60M-NL</i> | @ | <i>P2B-SC-60M-FF</i> |
| 214 | 2-1/2 | 126819 | P2B-SCM-208 | @ | P2B-SCM-208-NL | @ | P2B-SCM-208-FF |
| | 2-11/16 | 123839 | P2B-SC-211 | 068603 | P2B-SC-211-NL | @ | P2B-SC-211-FF |
| | 70mm | 125861 | <i>P2B-SC-70M</i> | 126548 | <i>P2B-SC-70M-NL</i> | 059677 | <i>P2B-SC-70M-FF</i> |
| 215 | 2-15/16 | 123823 | P2B-SC-215 | 123636 | P2B-SC-215-NL | 049828 | P2B-SC-215-FF |
| | 75mm | 125862 | <i>P2B-SC-75M</i> | @ | <i>P2B-SC-75M-NL</i> | @ | <i>P2B-SC-75M-FF</i> |
| 215 (SCU) | 2-15/16 | 123728 | P2B-SCU-215 | @ | P2B-SCU-215-NL | 054264 | P2B-SCU-215-FF |
| | 75mm | 052792 | <i>P2B-SCU-75M</i> | @ | <i>P2B-SCU-75M-NL</i> | @ | <i>P2B-SCU-75M-FF</i> |
| 218 | 90mm | 052794 | <i>P2B-SC-90M</i> | @ | <i>P2B-SC-90M-NL</i> | @ | <i>P2B-SC-90M-FF</i> |

@Assembled to order

| | | | |
|--------------------------------|---------------------------|------------------------|---------------------------------|
| FEATURES/BENEFITS PAGE B3-2 | NOMENCLATURE PAGE B3-4 | SELECTION PAGE B3-5 | RELATED PRODUCTS PAGE B3-133 |
|--------------------------------|---------------------------|------------------------|---------------------------------|

SELECTION/DIMENSIONS



Setscrew Ball Bearings SC AND SCU NORMAL DUTY PILLOW BLOCKS

| Series | Shaft Size | Weight lbs. kgs. | A | B | C | D | | F Bolt Dia. | G | H | J | L | M | R | S | U | V | W | X | |
|-----------|---------------|------------------|---------|--------|---------|--------|---------|-------------|--------|-------|---------|---------|-------|-------|---------|---------|----------|--------|------|--|
| | | | | | | Min. | Max. | | | | | | | | | | | | | |
| 208 | 1-1/2 | 5.4 | 1-11/16 | 7-1/4 | 1-15/16 | 5-3/16 | 5-7/8 | 1/2 | 29/32 | 15/16 | 4-3/16 | 2-3/64 | 2-1/8 | 19/32 | 1-3/32 | 3-17/64 | 6-17/32 | 11/16 | 3/16 | |
| | 1-5/8 | 5.3 | | | | | | | | | | | | | | | | | | |
| | 40mm | 2.2 | 42.9 | 184.2 | 49.2 | 131.8 | 149.2 | M12 | 23.0 | 23.8 | 106.4 | 52.0 | 54.0 | 15.1 | 27.8 | 82.9 | 165.9 | 17.5 | 4.8 | |
| 209 | 1-5/8 | 6.6 | 1-23/32 | 7-7/16 | 2 | 5-1/2 | 6-3/16 | 1/2 | 29/32 | 3/4 | 4-9/32 | 2-7/32 | 2-1/8 | 19/32 | 1-1/8 | 3-3/8 | 6-3/4 | 11/16 | 3/16 | |
| | 1-11/16 | 6.4 | | | | | | | | | | | | | | | | | | |
| | 1-3/4 45mm | 2.2 | 43.7 | 188.9 | 50.8 | 139.7 | 161.9 | M12 | 23.0 | 19.1 | 108.7 | 56.4 | 54.0 | 15.1 | 28.6 | 85.7 | 171.5 | 17.5 | 4.8 | |
| 210 | 1-15/16 | 7.2 | 1-3/4 | 8-1/8 | 2-1/4 | 6 | 6-11/16 | 5/8 | 1-1/16 | 3/4 | 4-17/32 | 2-7/16 | 2-1/4 | 19/32 | 1-5/32 | 3-11/16 | 7-3/8 | 13/16 | 3/16 | |
| | 2 | 7.0 | | | | | | | | | | | | | | | | | | |
| | 50mm | 2.6 | 44.5 | 206.4 | 57.2 | 152.4 | 169.9 | M16 | 27.0 | 19.1 | 115.1 | 61.9 | 57.2 | 15.1 | 29.4 | 93.7 | 187.3 | 20.6 | 4.8 | |
| 211 | 2 | 9.0 | 1-27/32 | 8-7/8 | 2-5/16 | 6-3/8 | 7-7/16 | 5/8 | 1-7/32 | 7/8 | 4-31/32 | 2-23/32 | 2-1/2 | 5/8 | 1-7/32 | 3-15/16 | 7-7/8 | 13/16 | 3/16 | |
| | 2-3/16 | 8.9 | | | | | | | | | | | | | | | | | | |
| | 2-1/4 55mm | 3.3 | 46.8 | 225.4 | 58.7 | 161.9 | 188.9 | M16 | 31.0 | 22.2 | 126.2 | 69.1 | 63.5 | 15.9 | 31.0 | 100.0 | 200.0 | 20.6 | 4.8 | |
| 212 | 2-1/4 | 10.8 | 1-63/64 | 9-1/2 | 2-3/8 | 6-7/8 | 7-15/16 | 5/8 | 1-7/32 | 7/8 | 5-13/32 | 2-31/32 | 2-3/4 | 43/64 | 1-5/16 | 4-1/4 | 8-1/2 | 7/8 | 3/16 | |
| | 2-7/16 | 10.2 | | | | | | | | | | | | | | | | | | |
| | 60mm | 4.2 | 50.4 | 241.3 | 60.3 | 174.6 | 201.6 | M16 | 31.0 | 22.2 | 137.3 | 75.4 | 69.9 | 17.1 | 33.3 | 108.0 | 215.9 | 22.2 | 4.8 | |
| 214 | 2-1/2 | 15.5 | 2-15/64 | 10-3/4 | 2-11/16 | 7-1/2 | 8-1/2 | 3/4 | 1-5/16 | 15/16 | 6-3/32 | 3-5/16 | 3 | 51/64 | 1-7/16 | 4-7/8 | 9-3/4 | 15/16 | 3/16 | |
| | 2-11/16 | 15.0 | | | | | | | | | | | | | | | | | | |
| | 70mm | 6.9 | 56.8 | 273.1 | 68.3 | 190.5 | 215.9 | M18 | 33.3 | 23.8 | 154.8 | 84.1 | 76.2 | 20.2 | 36.5 | 123.8 | 247.7 | 23.8 | 4.8 | |
| 215 | 2-15/16 | 20.5 | 2-9/32 | 11-3/4 | 2-7/8 | 8-1/2 | 9-1/2 | 7/8 | 1-7/16 | 1 | 6-3/4 | 3-5/8 | 3-1/2 | 13/16 | 1-15/32 | 5-31/64 | 10-31/32 | 1-3/64 | 3/16 | |
| | 75mm | 7.9 | 57.9 | 298.5 | 73.0 | 215.9 | 241.3 | M22 | 36.5 | 25.4 | 171.5 | 92.1 | 88.9 | 20.6 | 37.3 | 139.3 | 278.6 | 26.6 | 4.8 | |
| 215 (SCU) | 2-15/16 | 20.7 | 2-9/32 | 11-3/4 | 2-7/8 | 8-1/2 | 9-1/2 | 7/8 | 1-7/16 | 1 | 6-1/2 | 3-5/8 | 3-1/4 | 13/16 | 1-15/32 | 5-31/64 | 10-31/32 | 1-3/64 | 3/16 | |
| | 75mm | 8.0 | 57.9 | 298.5 | 73.0 | 215.9 | 241.3 | M22 | 36.5 | 25.4 | 165.1 | 92.1 | 82.6 | 20.6 | 37.3 | 139.3 | 278.6 | 26.6 | 4.8 | |
| 218 | 90mm | 13.6 | 63.1 | 355.6 | 85.7 | 261.9 | 295.3 | M22 | 40.5 | 33.3 | 203.2 | 110.7 | 101.6 | 23.4 | 39.7 | 116.7 | 333.4 | 30.2 | 4.8 | |

| | | | |
|--------------------------------|---------------------------|------------------------|---------------------------------|
| FEATURES/BENEFITS PAGE B3-2 | NOMENCLATURE PAGE B3-4 | SELECTION PAGE B3-5 | RELATED PRODUCTS PAGE B3-133 |
|--------------------------------|---------------------------|------------------------|---------------------------------|

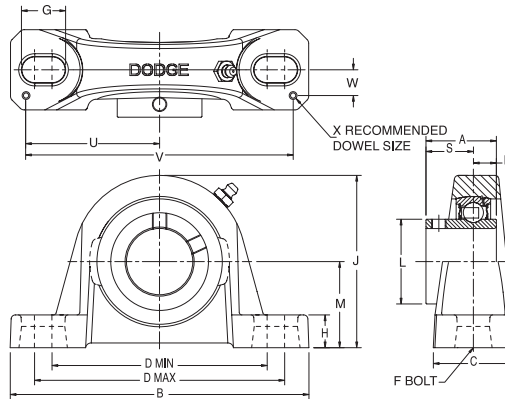
SELECTION/DIMENSIONS



Setscrew Ball Bearings SCAH AND SCUAH AIR HANDLING NORMAL DUTY PILLOW BLOCKS

Lube Fitting

203 series - 1/4-28 tapered thread
204 series and larger - 1/8-27 NPT



| Series | Shaft Size | Part No. | Description |
|-----------|---------------|---------------|----------------|
| 203 | 1/2 | 123725 | P2B-SCAH-008 |
| | 5/8 | 123958 | P2B-SCAH-010 |
| | 17mm | @ | P2B-SCAH-17M |
| 203 (SCU) | 1/2 | @ | P2B-SCUAH-008 |
| | 5/8 | 067742 | P2B-SCUAH-010 |
| | 17mm | @ | P2B-SCUAH-17M |
| 204 | 1/2 | @ | P2B-SCAH-008L |
| | 5/8 | 123790 | P2B-SCAH-010L |
| | 3/4 | 123904 | P2B-SCAH-012 |
| | 20mm | 056606 | P2B-SCAH-20M |
| 205 | 7/8 | 064450 | P2B-SCAH-014 |
| | 15/16 | 123903 | P2B-SCAH-015 |
| | 1 | 123905 | P2B-SCAH-100 |
| | 25mm | 053718 | P2B-SCAH-25M |
| 206 | 1-1/16 | @ | P2B-SCAH-101 |
| | 1-1/8 | 123919 | P2B-SCAH-102 |
| | 1-3/16 | 123906 | P2B-SCAH-103 |
| | 1-1/4 | @ | P2B-SCAH-104S |
| | 30mm | 067652 | P2B-SCAH-30M |
| 206 (SCU) | 1-1/16 | @ | P2B-SCUAH-101 |
| | 1-1/8 | @ | P2B-SCUAH-102 |
| | 1-3/16 | 123916 | P2B-SCUAH-103 |
| | 1-1/4 | 123183 | P2B-SCUAH-104S |
| 207 | 30mm | @ | P2B-SCUAH-30M |
| | 1-1/4 | 123907 | P2B-SCAH-104 |
| | 1-5/16 | @ | P2B-SCAH-105 |
| | 1-3/8 | 050792 | P2B-SCAH-106 |
| | 1-7/16 | 123908 | P2B-SCAH-107 |
| 35mm | 053717 | P2B-SCAH-35M | |

@ Assembled to order

| | | | |
|--------------------------------|---------------------------|------------------------|---------------------------------|
| FEATURES/BENEFITS PAGE B3-2 | NOMENCLATURE PAGE B3-4 | SELECTION PAGE B3-5 | RELATED PRODUCTS PAGE B3-133 |
|--------------------------------|---------------------------|------------------------|---------------------------------|

SELECTION/DIMENSIONS



Setscrew Ball Bearings

SCAH AND SCUAH AIR HANDLING NORMAL DUTY PILLOW BLOCKS

| Series | Shaft Size | Weight lbs. kgs. | A | B | C | D | | F Bolt Dia. | G | H | J | L | M | R | S | U | V | W | X |
|-----------|------------|------------------|---------|-------|---------|---------|--------|-------------|-------|-------|---------|---------|---------|-------|--------|---------|---------|------|------|
| | | | | | | min. | max. | | | | | | | | | | | | |
| 203 | 1/2 | 1.1 | 1 | 5 | 1-13/64 | 3-1/4 | 4-1/16 | 3/8 | 27/32 | 15/32 | 2-9/64 | 31/32 | 1-1/16 | 23/64 | 41/64 | 2-1/4 | 4-1/2 | 3/8 | 1/8 |
| | 5/8 | 1.0 | | | | | | | | | | | | | | | | | |
| | 17mm | 0.4 | | | | | | | | | | | | | | | | | |
| 203 (SCU) | 1/2 | 1.2 | 1 | 5 | 1-13/64 | 3-1/4 | 4-1/16 | 3/8 | 27/32 | 19/32 | 2-17/64 | 31/32 | 1-3/16 | 23/64 | 41/64 | 2-1/4 | 4-1/2 | 3/8 | 1/8 |
| | 5/8 | 1.0 | | | | | | | | | | | | | | | | | |
| | 17mm | 0.4 | | | | | | | | | | | | | | | | | |
| 204 | 1/2 | 1.6 | 1-5/32 | 5-1/4 | 1-21/64 | 3-3/8 | 4-3/16 | 3/8 | 27/32 | 33/64 | 2-9/16 | 1-1/8 | 1-5/16 | 27/64 | 47/64 | 2-1/4 | 4-1/2 | 1/2 | 1/8 |
| | 5/8 | 1.5 | | | | | | | | | | | | | | | | | |
| | 3/4 | 1.4 | | | | | | | | | | | | | | | | | |
| | 20mm | 0.7 | 29.4 | 133.4 | 33.7 | 85.7 | 106.4 | M10 | 21.4 | 13.1 | 65.1 | 28.6 | 33.3 | 10.7 | 18.7 | 57.2 | 114.3 | 12.7 | 3.2 |
| 205 | 7/8 | 1.8 | 1-3/16 | 5-1/2 | 1-13/32 | 3-11/16 | 4-1/2 | 3/8 | 27/32 | 37/64 | 2-25/32 | 1-5/16 | 1-7/16 | 27/64 | 49/64 | 2-1/2 | 5 | 1/2 | 3/16 |
| | 15/16 | 1.7 | | | | | | | | | | | | | | | | | |
| | 1 | 1.6 | | | | | | | | | | | | | | | | | |
| | 25mm | 0.7 | 30.2 | 139.7 | 35.7 | 93.7 | 114.3 | M10 | 21.4 | 14.7 | 70.6 | 33.3 | 36.5 | 10.7 | 19.4 | 63.5 | 127.0 | 12.7 | 4.8 |
| 206 | 1-1/16 | 2.8 | 1-25/64 | 6-1/4 | 1-47/64 | 4-1/4 | 5 | 1/2 | 15/16 | 11/16 | 3-1/4 | 1-37/64 | 1-5/8 | 31/64 | 29/32 | 2-7/8 | 5-3/4 | 9/16 | 3/16 |
| | 1-1/8 | 2.7 | | | | | | | | | | | | | | | | | |
| | 1-3/16 | 2.6 | | | | | | | | | | | | | | | | | |
| | 1-1/4 | 2.5 | | | | | | | | | | | | | | | | | |
| | 30mm | 1.1 | 35.3 | 158.8 | 44.1 | 108.0 | 127.0 | M12 | 23.8 | 17.5 | 82.6 | 40.1 | 41.3 | 12.3 | 23.0 | 73.0 | 146.1 | 14.3 | 4.8 |
| 206 (SCU) | 1-1/16 | 2.9 | 1-25/64 | 6-1/4 | 1-47/64 | 4-1/4 | 5.00 | 1/2 | 15/16 | 3/4 | 3-5/16 | 1-37/64 | 1-11/16 | 31/64 | 29/32 | 2-7/8 | 5-3/4 | 9/16 | 3/16 |
| | 1-1/8 | 2.8 | | | | | | | | | | | | | | | | | |
| | 1-3/16 | 2.7 | | | | | | | | | | | | | | | | | |
| | 1-1/4 | 2.6 | | | | | | | | | | | | | | | | | |
| | 30mm | 1.1 | 35.3 | 158.8 | 44.1 | 108.0 | 127.0 | M12 | 23.8 | 19.1 | 84.1 | 40.1 | 42.9 | 12.3 | 23.0 | 73.0 | 146.1 | 14.3 | 4.8 |
| 207 | 1-1/4 | 4.5 | 1-17/32 | 6-1/2 | 1-47/64 | 4-11/16 | 5-7/16 | 1/2 | 15/16 | 45/64 | 3-3/4 | 1-27/32 | 1-7/8 | 1/2 | 1-1/32 | 2-29/32 | 5-13/16 | 9/16 | 3/16 |
| | 1-5/16 | 4.4 | | | | | | | | | | | | | | | | | |
| | 1-3/8 | 4.3 | | | | | | | | | | | | | | | | | |
| | 1-7/16 | 4.2 | | | | | | | | | | | | | | | | | |
| | 35mm | 1.5 | 38.9 | 165.1 | 44.1 | 119.1 | 138.1 | M12 | 23.8 | 17.9 | 95.3 | 46.8 | 47.6 | 12.7 | 26.2 | 73.8 | 147.6 | 14.3 | 4.8 |

| | | | |
|--------------------------------|---------------------------|------------------------|---------------------------------|
| FEATURES/BENEFITS PAGE B3-2 | NOMENCLATURE PAGE B3-4 | SELECTION PAGE B3-5 | RELATED PRODUCTS PAGE B3-133 |
|--------------------------------|---------------------------|------------------------|---------------------------------|

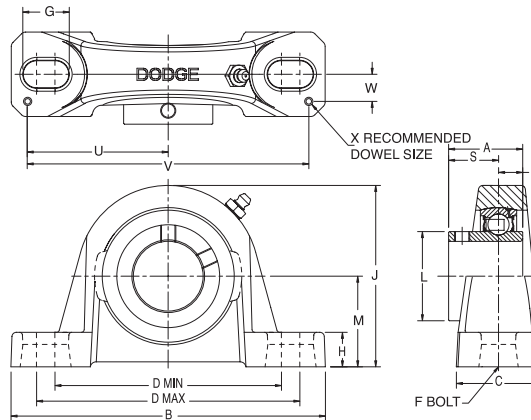
SELECTION/DIMENSIONS



Setscrew Ball Bearings SCAH AND SCUAH AIR HANDLING NORMAL DUTY PILLOW BLOCKS

Lube Fitting

203 series - 1/4-28 tapered thread
204 series and larger - 1/8-27 NPT



| Series | Shaft Size | Part No. | Description |
|-----------|------------|---------------|---------------|
| 208 | 1-1/2 | 123909 | P2B-SCAH-108 |
| | 1-5/8 | 056750 | P2B-SCAH-110 |
| | 40mm | @ | P2B-SCAH-40M |
| 209 | 1-5/8 | @ | P2B-SCAH-110L |
| | 1-11/16 | 123910 | P2B-SCAH-111 |
| | 1-3/4 | 123911 | P2B-SCAH-112 |
| | 45mm | 052413 | P2B-SCAH-45M |
| 210 | 1-15/16 | 123912 | P2B-SCAH-115 |
| | 2 | @ | P2B-SCAH-200 |
| | 50mm | 052414 | P2B-SCAH-50M |
| 211 | 2 | 126847 | P2B-SCMAH-200 |
| | 2-3/16 | 123913 | P2B-SCAH-203 |
| | 2-1/4 | @ | P2B-SCAH-204 |
| | 55mm | @ | P2B-SCAH-55M |
| 212 | 2-1/4 | @ | P2B-SCMAH-204 |
| | 2-7/16 | 123914 | P2B-SCAH-207 |
| | 60mm | 054009 | P2B-SCAH-60M |
| 214 | 2-1/2 | @ | P2B-SCMAH-204 |
| | 2-11/16 | 124872 | P2B-SCAH-211 |
| | 70mm | @ | P2B-SCAH-70M |
| 215 | 2-15/16 | 123915 | P2B-SCAH-215 |
| | 75mm | @ | P2B-SCAH-75M |
| 215 (SCU) | 2-15/16 | @ | P2B-SCUAH-215 |
| | 75mm | @ | P2B-SCUAH-75M |

@ Assembled to order

| | | | |
|--------------------------------|---------------------------|------------------------|---------------------------------|
| FEATURES/BENEFITS PAGE B3-2 | NOMENCLATURE PAGE B3-4 | SELECTION PAGE B3-5 | RELATED PRODUCTS PAGE B3-133 |
|--------------------------------|---------------------------|------------------------|---------------------------------|

SELECTION/DIMENSIONS



Setscrew Ball Bearings

SCAH AND SCUAH AIR HANDLING NORMAL DUTY PILLOW BLOCKS

| Series | Shaft Size | Weight lbs kgs | A | B | C | D | | F Bolt Dia. | G | H | J | L | M | R | S | U | V | W | X | |
|--------------|------------|----------------------|---------|--------|---------|--------|---------|-------------------|--------|-------|---------|---------|-------|-------|---------|---------|----------|--------|------|--|
| | | | | | | min. | max. | | | | | | | | | | | | | |
| 208 | 1-1/2 | 5.4 | 1-11/16 | 7-1/4 | 1-15/16 | 5-3/16 | 5-7/8 | 1/2 | 29/32 | 15/16 | 4-3/16 | 2-3/64 | 2-1/8 | 19/32 | 1-3/32 | 3-17/64 | 6-17/32 | 11/16 | 3/16 | |
| | 1-5/8 | 5.3 | | | | | | | | | | | | | | | | | | |
| | 40mm | 2.2 | 42.9 | 184.2 | 49.2 | 131.8 | 149.2 | M12 | 23.0 | 23.8 | 106.4 | 52.0 | 54.0 | 15.1 | 27.8 | 82.9 | 165.9 | 17.5 | 4.8 | |
| 209 | 1-5/8 | 6.6 | 1-23/32 | 7-7/16 | 2 | 5-1/2 | 6-3/8 | 1-2 | 29/32 | 3/4 | 4-9/32 | 2-7/32 | 2-1/8 | 19/32 | 1-1/8 | 3-3/8 | 6-3/4 | 11/16 | 3/16 | |
| | 1-11/16 | 6.4 | | | | | | | | | | | | | | | | | | |
| | 1-3/4 | 6.2 | | | | | | | | | | | | | | | | | | |
| 210 | 45mm | 2.2 | 43.7 | 188.9 | 50.8 | 139.7 | 160.9 | M12 | 23.0 | 19.1 | 108.7 | 56.4 | 54.0 | 15.1 | 28.6 | 85.7 | 171.5 | 17.5 | 4.8 | |
| | 1-15/16 | 7.2 | 1-3/4 | 8-1/8 | 2-1/4 | 6 | 6-11/16 | 5/8 | 1-1/16 | 3/4 | 4-17/32 | 2-7/16 | 2-1/4 | 19/32 | 1-5/32 | 3-11/16 | 7-3/8 | 13/16 | 3/16 | |
| | 2 | 7.0 | | | | | | | | | | | | | | | | | | |
| 211 | 50mm | 2.6 | 44.5 | 206.4 | 57.2 | 152.40 | 169.9 | M16 | 27.0 | 19.1 | 115.1 | 61.9 | 57.2 | 15.1 | 29.4 | 93.7 | 187.3 | 20.6 | 4.8 | |
| | 2 | 9.0 | 1-27/32 | 8-7/8 | 2-5/16 | 6-3/8 | 7-7/16 | 5/8 | 1-7/32 | 7/8 | 4-31/32 | 2-23/32 | 2-1/2 | 5/8 | 1-7/32 | 3-15/16 | 7-7/8 | 13/16 | 3/16 | |
| | 2-3/16 | 8.9 | | | | | | | | | | | | | | | | | | |
| 212 | 2-1/4 | 10.8 | 1-63/64 | 9-1/2 | 2-3/8 | 6-7/8 | 7-15/16 | 5/8 | 1-7/32 | 7/8 | 5-13/32 | 2-31/32 | 2-3/4 | 43/64 | 1-5/16 | 4-1/4 | 8-1/2 | 7/8 | 3/16 | |
| | 2-7/16 | 10.2 | | | | | | | | | | | | | | | | | | |
| | 60mm | 4.2 | 50.4 | 241.3 | 60.3 | 174.6 | 201.6 | M16 | 31.0 | 22.2 | 137.3 | 75.4 | 69.9 | 17.1 | 33.3 | 108.0 | 215.9 | 22.2 | 4.8 | |
| 214 | 2-1/2 | 15.5 | 2-15/64 | 10-3/4 | 2-11/16 | 7-1/2 | 8-1/2 | 3/4 | 1-5/16 | 15/16 | 6-3/32 | 3-5/16 | 3 | 51/64 | 1-7/16 | 4-7/8 | 9-3/4 | 15/16 | 3/16 | |
| | 2-11/16 | 15.0 | | | | | | | | | | | | | | | | | | |
| | 70mm | 6.9 | 56.8 | 273.1 | 68.3 | 190.5 | 215.9 | M18 | 33.3 | 23.8 | 154.8 | 84.1 | 76.2 | 20.2 | 36.5 | 123.8 | 247.7 | 23.8 | 4.8 | |
| 215 | 2-15/16 | 20.5 | 2-9/32 | 11-3/4 | 2-7/8 | 8-1/2 | 9-1/2 | 7/8 | 1-7/16 | 1 | 6-3/4 | 3-5/8 | 3-1/2 | 13/16 | 1-15/32 | 5-31/64 | 10-31/32 | 1-3/64 | 3/16 | |
| | 75mm | 7.9 | 57.9 | 298.5 | 73.0 | 215.9 | 241.3 | M22 | 36.5 | 25.4 | 171.5 | 92.1 | 88.9 | 20.6 | 37.3 | 139.3 | 278.6 | 26.6 | 4.8 | |
| 215 (SCU) | 2-15/16 | 20.7 | 2-9/32 | 11-3/4 | 2-7/8 | 8-1/2 | 9-1/2 | 7/8 | 1-7/16 | 1 | 6-1/2 | 3-5/8 | 3-1/4 | 13/16 | 1-15/32 | 5-31/64 | 10-31/32 | 1-3/64 | 3/16 | |
| | 75mm | 8.0 | 57.9 | 298.5 | 73.0 | 215.9 | 241.3 | M22 | 36.5 | 25.4 | 165.1 | 92.1 | 82.6 | 20.6 | 37.3 | 139.3 | 278.6 | 26.6 | 4.8 | |

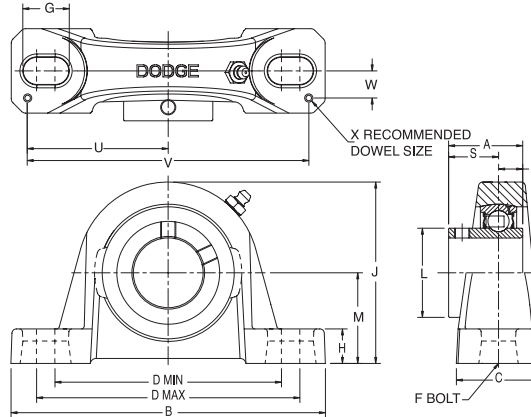
| | | | |
|--------------------------------|---------------------------|------------------------|---------------------------------|
| FEATURES/BENEFITS PAGE B3-2 | NOMENCLATURE PAGE B3-4 | SELECTION PAGE B3-5 | RELATED PRODUCTS PAGE B3-133 |
|--------------------------------|---------------------------|------------------------|---------------------------------|

SELECTION/DIMENSIONS



Setscrew Ball Bearings SCB NORMAL DUTY PILLOW BLOCKS

Lube Fitting
203 series - 1/4-28 tapered thread
204 series and larger - 1/8-27 NPT



| Series | Shaft Size | Part No. | Description |
|-------------|------------|---------------|--------------|
| 203 (SC) | 1/2 | 123830 | P2B-SC-008 |
| | 5/8 | 123831 | P2B-SC-010 |
| | 17mm | 053170 | P2B-SC-17M |
| 204 | 1/2 | 123854 | P2B-SCB-008L |
| | 5/8 | 123855 | P2B-SCB-010L |
| | 3/4 | 123860 | P2B-SCB-012 |
| | 20mm | 124941 | P2B-SCB-20M |
| 205 | 7/8 | 123861 | P2B-SCB-014 |
| | 15/16 | 123862 | P2B-SCB-015 |
| | 1 | 123863 | P2B-SCB-100 |
| | 25mm | 125768 | P2B-SCB-25M |
| 206 | 1-1/16 | 123856 | P2B-SCB-101 |
| | 1-1/8 | 123864 | P2B-SCB-102 |
| | 1-3/16 | 123865 | P2B-SCB-103 |
| | 1-1/4 | 123171 | P2B-SCB-104S |
| | 30mm | 125760 | P2B-SCB-30M |
| 207 | 1-1/4 | 123866 | P2B-SCB-104 |
| | 1-5/16 | 123857 | P2B-SCB-105 |
| | 1-3/8 | 123867 | P2B-SCB-106 |
| | 1-7/16 | 123868 | P2B-SCB-107 |
| | 35mm | 124944 | P2B-SCB-35M |

@ Assembled to order.

| | | | |
|--------------------------------|---------------------------|------------------------|---------------------------------|
| FEATURES/BENEFITS PAGE B3-2 | NOMENCLATURE PAGE B3-4 | SELECTION PAGE B3-5 | RELATED PRODUCTS PAGE B3-133 |
|--------------------------------|---------------------------|------------------------|---------------------------------|

SELECTION/DIMENSIONS



Setscrew Ball Bearings SCB NORMAL DUTY PILLOW BLOCKS

| Series | Shaft Size | Weight lb. kg | A | B | C | D | | F Bolt Dia. | G | H | J | L | M | R | S | U | V | W | X |
|-------------|------------|---------------------|---------|-------|---------|---------|--------|-------------------|-------|--------|---------|---------|---------|-------|--------|---------|---------|------|------|
| | | | | | | Min. | Max. | | | | | | | | | | | | |
| 203 (SC) | 1/2 | 1.1 | 1 | 5 | 1-31/64 | 3-1/4 | 4-1/16 | 3/8 | 27/32 | 2-9/64 | 2-9/64 | 31/32 | 1-1/16 | 23/64 | 41/64 | 2-1/4 | 4-1/2 | 3/8 | 1/8 |
| | 5/8 | 1.0 | | | | | | | | | | | | | | | | | |
| | 17mm | 0.4 | 25.4 | 127.0 | 30.6 | 82.6 | 103.2 | M10 | 21.4 | 11.4 | 54.4 | 24.6 | 27.0 | 9.1 | 16.3 | 57.2 | 114.3 | 9.5 | 3.2 |
| 204 | 1/2 | 1.6 | 1-5/32 | 5-1/4 | 1-21/64 | 3-3/8 | 4-3/16 | 3/8 | 27/32 | 29/64 | 2-1/2 | 1-1/8 | 1-1/4 | 27/64 | 47/64 | 2-1/4 | 4-1/2 | 1/2 | 1/8 |
| | 5/8 | 1.5 | | | | | | | | | | | | | | | | | |
| | 3/4 | 1.4 | | | | | | | | | | | | | | | | | |
| | 20mm | 0.7 | 29.4 | 133.4 | 33.7 | 85.7 | 106.4 | M10 | 21.4 | 11.5 | 63.5 | 28.6 | 31.8 | 10.7 | 18.7 | 57.2 | 114.3 | 12.7 | 3.2 |
| 205 | 7/8 | 1.8 | 1-3/16 | 5-1/2 | 1-13/32 | 3-11/16 | 4-1/2 | 3/8 | 27/32 | 29/64 | 2-21/32 | 1-5/16 | 1-5/16 | 27/64 | 49/64 | 2-1/2 | 5 | 1/2 | 3/16 |
| | 15/16 | 1.7 | | | | | | | | | | | | | | | | | |
| | 1 | 1.6 | | | | | | | | | | | | | | | | | |
| | 25mm | 0.7 | 30.2 | 139.7 | 35.7 | 93.7 | 114.3 | M10 | 21.4 | 11.5 | 67.5 | 33.3 | 33.3 | 10.7 | 19.4 | 63.5 | 127.0 | 12.7 | 4.8 |
| 206 | 1-1/16 | 2.8 | 1-25/64 | 6-1/4 | 1-47/64 | 4-1/4 | 5 | 1/2 | 15/16 | 5/8 | 3-3/16 | 1-37/64 | 1-9/16 | 31/64 | 29/32 | 2-7/8 | 5-3/4 | 9/16 | 3/16 |
| | 1-1/8 | 2.7 | | | | | | | | | | | | | | | | | |
| | 1-3/16 | 2.6 | | | | | | | | | | | | | | | | | |
| | 1-1/4 | 2.5 | | | | | | | | | | | | | | | | | |
| | 30mm | 1.1 | 35.3 | 158.8 | 44.1 | 108.0 | 127.0 | M12 | 23.8 | 15.9 | 81.0 | 40.1 | 39.7 | 12.3 | 23.0 | 73.0 | 146.1 | 14.3 | 4.8 |
| 207 | 1-1/4 | 4.5 | 1-17/32 | 6-1/2 | 1-47/64 | 4-11/16 | 5-7/16 | 1/2 | 15/16 | 41/64 | 3-11/16 | 1-27/32 | 1-13/16 | 1/2 | 1-1/32 | 2-29/32 | 5-13/16 | 9/16 | 3/16 |
| | 1-5/16 | 4.4 | | | | | | | | | | | | | | | | | |
| | 1-3/8 | 4.3 | | | | | | | | | | | | | | | | | |
| | 1-7/16 | 4.2 | | | | | | | | | | | | | | | | | |
| | 35mm | 1.5 | 38.9 | 165.1 | 44.1 | 119.1 | 138.1 | M12 | 23.8 | 16.3 | 93.7 | 46.8 | 46.0 | 12.7 | 26.2 | 73.8 | 147.6 | 14.3 | 4.8 |

| | | | |
|--------------------------------|---------------------------|------------------------|---------------------------------|
| FEATURES/BENEFITS PAGE B3-2 | NOMENCLATURE PAGE B3-4 | SELECTION PAGE B3-5 | RELATED PRODUCTS PAGE B3-133 |
|--------------------------------|---------------------------|------------------------|---------------------------------|

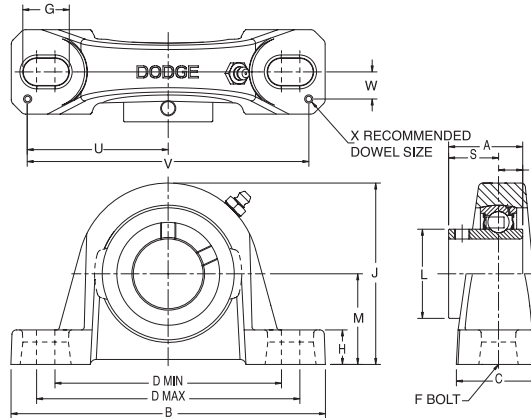
SELECTION/DIMENSIONS



Setscrew Ball Bearings SCB NORMAL DUTY PILLOW BLOCKS

Lube Fitting

203 series - 1/4-28 tapered thread
204 series and larger - 1/8-27 NPT



| Series | Shaft Size | Part No. | Description |
|--------|------------|---------------|--------------------|
| 208 | 1-1/2 | 123869 | P2B-SCB-108 |
| | 1-5/8 | 123858 | P2B-SCB-110 |
| | 40mm | 125856 | <i>P2B-SCB-40M</i> |
| 209 | 1-5/8 | 068760 | P2B-SCB-110L |
| | 1-11/16 | 123870 | P2B-SCB-111 |
| | 1-3/4 | 123871 | P2B-SCB-112 |
| 210 | 45mm | 051878 | <i>P2B-SCB-45M</i> |
| | 1-15/16 | 123872 | P2B-SCB-115 |
| | 2 | 123873 | P2B-SCB-200 |
| 211 | 50mm | 051879 | <i>P2B-SCB-50M</i> |
| | 2 | 057603 | P2B-SCB-200L |
| | 2-3/16 | 123874 | P2B-SCB-203 |
| 212 | 2-1/4 | 123589 | P2B-SCB-204 |
| | 2-7/16 | 124943 | <i>P2B-SCB-55M</i> |
| | 60mm | 068361 | P2B-SCB-204L |
| 215 | 60mm | 123875 | P2B-SCB-207 |
| | 2-15/16 | 051880 | <i>P2B-SCB-60M</i> |
| | 75mm | 123727 | P2B-SCB-215 |
| | | @ | <i>P2B-SCB-75M</i> |

@ Assembled to order.

| | | | |
|--------------------------------|---------------------------|------------------------|---------------------------------|
| FEATURES/BENEFITS PAGE B3-2 | NOMENCLATURE PAGE B3-4 | SELECTION PAGE B3-5 | RELATED PRODUCTS PAGE B3-133 |
|--------------------------------|---------------------------|------------------------|---------------------------------|

SELECTION/DIMENSIONS



Setscrew Ball Bearings SCB NORMAL DUTY PILLOW BLOCKS

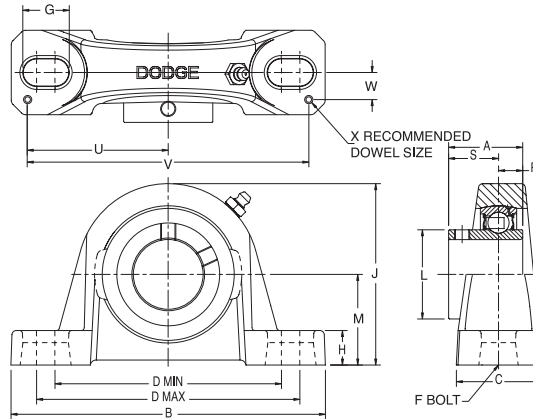
| Series | Shaft Size | Weight lbs kgs | A | B | C | D | | F Bolt Dia. | G | H | J | L | M | R | S | U | V | W | X |
|--------|------------|----------------------|---------|--------|---------|--------|---------|-------------------|--------|--------|---------|---------|---------|-------|---------|---------|----------|--------|------|
| | | | | | | Min. | Max. | | | | | | | | | | | | |
| 208 | 1-1/2 | 5.4 | 1-11/16 | 7-1/4 | 1-15/16 | 5-3/16 | 5-7/8 | 1/2 | 29/32 | 3/4 | 4 | 2-3/64 | 1-15/16 | 19/32 | 1-3/32 | 3-17/64 | 6-17/32 | 11/16 | 3/16 |
| | 1-5/8 | 5.3 | | | | | | | | | | | | | | | | | |
| | 40mm | 2.2 | 42.9 | 184.2 | 49.2 | 131.8 | 149.2 | M12 | 23.0 | 19.1 | 101.6 | 52.0 | 49.2 | 15.1 | 27.8 | 82.9 | 165.9 | 17.5 | 4.8 |
| 209 | 1-5/8 | 6.6 | 1-23/32 | 7-7/16 | 2 | 5-1/2 | 6-3/8 | 1/2 | 29/32 | 11/16 | 4-7/32 | 2-7/32 | 2-1/16 | 19/32 | 1-1/8 | 3-3/8 | 6-3/4 | 11/16 | 3/16 |
| | 1-11/16 | 6.4 | | | | | | | | | | | | | | | | | |
| | 45mm | 2.2 | 43.7 | 188.9 | 50.8 | 139.7 | 161.9 | M12 | 23.0 | 17.5 | 107.2 | 56.4 | 52.4 | 15.1 | 28.6 | 85.7 | 171.5 | 17.5 | 4.8 |
| 210 | 1-15/16 | 7.2 | 1-3/4 | 8-1/8 | 2-1/4 | 6 | 6-11/16 | 5/8 | 1-1/64 | 11/16 | 4-15/32 | 2-7/16 | 2-3/16 | 19/32 | 1-5/32 | 3-11/16 | 7-3/8 | 13/16 | 3/16 |
| | 2 | 7.0 | | | | | | | | | | | | | | | | | |
| | 50mm | 2.6 | 44.5 | 206.4 | 57.2 | 152.4 | 169.9 | M16 | 25.8 | 17.5 | 113.5 | 61.9 | 55.6 | 15.1 | 29.4 | 93.7 | 187.3 | 20.6 | 4.8 |
| 211 | 2 | 9.0 | 1-27/32 | 8-7/8 | 2-5/16 | 6-3/8 | 7-7/16 | 5/8 | 1-7/32 | 13/16 | 4-29/32 | 2-23/32 | 2-7/16 | 5/8 | 1-7/32 | 3-15/16 | 7-7/8 | 13/16 | 3/16 |
| | 2-3/16 | 8.9 | | | | | | | | | | | | | | | | | |
| | 55mm | 3.3 | 46.8 | 225.4 | 58.7 | 161.9 | 188.9 | M16 | 31.0 | 20.6 | 124.6 | 69.1 | 61.9 | 15.9 | 31.0 | 100.0 | 200.0 | 20.6 | 4.8 |
| 212 | 2-1/4 | 10.8 | 1-63/64 | 9-1/2 | 2-3/8 | 6-7/8 | 7-15/16 | 5/8 | 1-7/32 | 13/16 | 5-11/32 | 2-31/32 | 2-11/16 | 43/64 | 1-5/16 | 4-1/4 | 8-1/2 | 7/8 | 3/16 |
| | 2-7/16 | 10.2 | | | | | | | | | | | | | | | | | |
| | 60mm | 4.2 | 50.4 | 241.3 | 60.3 | 174.6 | 201.6 | M16 | 31.0 | 20.6 | 135.7 | 75.4 | 68.3 | 17.1 | 33.3 | 108.0 | 215.9 | 22.2 | 4.8 |
| 215 | 2-15/16 | 20.5 | 2-9/32 | 11-3/4 | 2-7/8 | 8-1/2 | 9-1/2 | 7/8 | 1-7/16 | 1-1/16 | 6-9/16 | 3-5/8 | 3-5/16 | 13/16 | 1-15/32 | 5-31/64 | 10-31/32 | 1-3/64 | 3/16 |
| | 75mm | 7.9 | 57.9 | 298.5 | 73.0 | 215.9 | 241.3 | M22 | 36.5 | 27.0 | 166.7 | 92.1 | 84.1 | 20.6 | 37.3 | 139.3 | 278.6 | 26.6 | 4.8 |

| | | | |
|--------------------------------|---------------------------|------------------------|---------------------------------|
| FEATURES/BENEFITS PAGE B3-2 | NOMENCLATURE PAGE B3-4 | SELECTION PAGE B3-5 | RELATED PRODUCTS PAGE B3-133 |
|--------------------------------|---------------------------|------------------------|---------------------------------|

SELECTION/DIMENSIONS



Setscrew Ball Bearings SCBAH AIR HANDLING NORMAL DUTY PILLOW BLOCKS



Lube Fitting

203 series - 1/4-28 tapered thread
204 series and larger - 1/8-27 NPT

| Series | Shaft Size | Part No. | Description |
|--------|------------|---------------|----------------|
| 203 | 1/2 | 123725 | P2B-SCAH-008 |
| | 5/8 | 123958 | P2B-SCAH-010 |
| | 17mm | @ | P2B-SCAH-17M |
| 204 | 1/2 | @ | P2B-SCBAH-008L |
| | 5/8 | 068307 | P2B-SCBAH-010L |
| | 3/4 | 123959 | P2B-SCBAH-012 |
| | 20mm | @ | P2B-SCBAH-20M |
| 205 | 7/8 | @ | P2B-SCBAH-014 |
| | 15/16 | @ | P2B-SCBAH-015 |
| | 1 | 123960 | P2B-SCBAH-100 |
| | 25mm | @ | P2B-SCBAH-25M |
| 206 | 1-1/16 | @ | P2B-SCBAH-101 |
| | 1-1/8 | @ | P2B-SCBAH-102 |
| | 1-3/16 | 123961 | P2B-SCBAH-103 |
| | 1-1/4 | 123962 | P2B-SCBAH-104S |
| | 30mm | @ | P2B-SCBAH-30M |
| 207 | 1-1/4 | 123963 | P2B-SCBAH-104 |
| | 1-5/16 | @ | P2B-SCBAH-105 |
| | 1-3/8 | @ | P2B-SCBAH-106 |
| | 1-7/16 | 123918 | P2B-SCBAH-107 |
| | 35mm | @ | P2B-SCBAH-35M |

@ Assembled to order

| | | | |
|--------------------------------|---------------------------|------------------------|---------------------------------|
| FEATURES/BENEFITS PAGE B3-2 | NOMENCLATURE PAGE B3-4 | SELECTION PAGE B3-5 | RELATED PRODUCTS PAGE B3-133 |
|--------------------------------|---------------------------|------------------------|---------------------------------|

SELECTION/DIMENSIONS



Setscrew Ball Bearings SCBAH AIR HANDLING NORMAL DUTY PILLOW BLOCKS

| Series | Shaft Size | Weight lbs kgs | A | B | C | D | | F Bolt Dia. | G | H | J | L | M | R | S | U | V | W | X |
|--------|------------|----------------------|---------|-------|---------|---------|--------|-------------------|-------|--------|---------|---------|---------|-------|--------|---------|---------|------|------|
| | | | | | | min. | max. | | | | | | | | | | | | |
| 203 | 1/2 | 1.1 | 1 | 5 | 1-31/64 | 3-1/4 | 4-1/16 | 3/8 | 27/32 | 2-9/64 | 2-9/64 | 31/32 | 1-1/16 | 23/64 | 41/64 | 2-1/4 | 4-1/2 | 3/8 | 1/8 |
| | 5/8 | 1.0 | | | | | | | | | | | | | | | | | |
| | 17mm | 0.4 | 25.4 | 127.0 | 30.6 | 82.6 | 103.2 | M10 | 21.4 | 11.4 | 54.4 | 24.6 | 27.0 | 9.1 | 16.3 | 57.2 | 114.3 | 9.5 | 3.2 |
| 204 | 1/2 | 1.6 | 1-5/32 | 5-1/4 | 1-21/64 | 3-3/8 | 4-3/16 | 3/8 | 27/32 | 29/64 | 2-1/2 | 1-1/8 | 1-1/4 | 27/64 | 47/64 | 2-1/4 | 4-1/2 | 1/2 | 1/8 |
| | 5/8 | 1.5 | | | | | | | | | | | | | | | | | |
| | 3/4 | 1.4 | | | | | | | | | | | | | | | | | |
| | 20mm | 0.7 | 29.4 | 133.4 | 33.7 | 85.7 | 106.4 | M10 | 21.4 | 11.5 | 63.5 | 28.6 | 31.8 | 10.7 | 18.7 | 57.2 | 114.3 | 12.7 | 3.2 |
| 205 | 7/8 | 1.8 | 1-3/16 | 5-1/2 | 1-13/32 | 3-11/16 | 4-1/2 | 3/8 | 27/32 | 29/64 | 2-21/32 | 1-5/16 | 1-5/16 | 27/64 | 49/64 | 2-1/2 | 5 | 1/2 | 3/16 |
| | 15/16 | 1.7 | | | | | | | | | | | | | | | | | |
| | 1 | 1.6 | | | | | | | | | | | | | | | | | |
| | 25mm | 0.7 | 30.2 | 139.7 | 35.7 | 93.7 | 114.3 | M10 | 21.4 | 11.5 | 67.5 | 33.3 | 33.3 | 10.7 | 19.4 | 63.5 | 127.0 | 12.7 | 4.8 |
| 206 | 1-1/16 | 2.8 | 1-25/64 | 6-1/4 | 1-47/64 | 4-1/4 | 5 | 1/2 | 15/16 | 5/8 | 3-3/16 | 1-37/64 | 1-9/16 | 31/64 | 29/32 | 2-7/8 | 5-3/4 | 9/16 | 3/16 |
| | 1-1/8 | 2.7 | | | | | | | | | | | | | | | | | |
| | 1-3/16 | 2.6 | | | | | | | | | | | | | | | | | |
| | 1-1/4 | 2.5 | | | | | | | | | | | | | | | | | |
| | 30mm | 1.1 | 35.3 | 158.8 | 44.1 | 108.0 | 127.0 | M12 | 23.8 | 15.9 | 81.0 | 40.1 | 39.7 | 12.3 | 23.0 | 73.0 | 146.1 | 14.3 | 4.8 |
| 207 | 1-1/4 | 4.5 | 1-17/32 | 6-1/2 | 1-47/64 | 4-11/16 | 5-7/16 | 1/2 | 15/16 | 41/64 | 3-11/16 | 1-27/32 | 1-13/16 | 1/2 | 1-1/32 | 2-29/32 | 5-13/16 | 9/16 | 3/16 |
| | 1-5/16 | 4.4 | | | | | | | | | | | | | | | | | |
| | 1-3/8 | 4.3 | | | | | | | | | | | | | | | | | |
| | 1-7/16 | 4.2 | | | | | | | | | | | | | | | | | |
| | 35mm | 1.5 | 38.9 | 165.1 | 44.1 | 119.1 | 138.1 | M12 | 23.8 | 16.3 | 93.7 | 46.8 | 46.0 | 12.7 | 26.2 | 73.8 | 147.6 | 14.3 | 4.8 |

| | | | |
|--------------------------------|---------------------------|------------------------|---------------------------------|
| FEATURES/BENEFITS PAGE B3-2 | NOMENCLATURE PAGE B3-4 | SELECTION PAGE B3-5 | RELATED PRODUCTS PAGE B3-133 |
|--------------------------------|---------------------------|------------------------|---------------------------------|

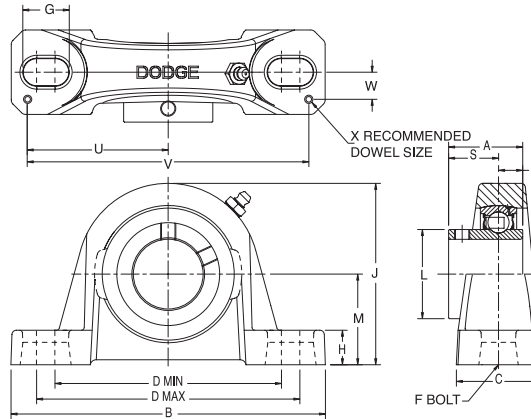
SELECTION/DIMENSIONS



Setscrew Ball Bearings SCBAH AIR HANDLING NORMAL DUTY PILLOW BLOCKS

Lube Fitting

203 series - 1/4-28 tapered thread
204 series and larger - 1/8-27 NPT



| Series | Shaft Size | Part No. | Description |
|--------|------------|---------------|----------------------|
| 208 | 1-1/2 | 123936 | P2B-SCBAH-108 |
| | 1-5/8 | @ | P2B-SCBAH-110 |
| | 40mm | 054727 | <i>P2B-SCBAH-40M</i> |
| 209 | 1-5/8 | 065774 | P2B-SCBAH-110L |
| | 1-11/16 | 123964 | P2B-SCBAH-111 |
| | 1-3/4 | @ | P2B-SCBAH-112 |
| 210 | 45mm | @ | <i>P2B-SCBAH-45M</i> |
| | 1-15/16 | 123938 | P2B-SCBAH-115 |
| | 2 | 123693 | P2B-SCBAH-200 |
| 211 | 50mm | @ | <i>P2B-SCBAH-50M</i> |
| | 2 | @ | P2B-SCBAH-200L |
| | 2/3/16 | 123965 | P2B-SCBAH-203 |
| 212 | 2-1/4 | @ | P2B-SCBAH-204 |
| | 55mm | @ | <i>P2B-SCBAH-55M</i> |
| | 2-1/4 | @ | P2B-SCBAH-204L |
| 215 | 2-7/16 | 123966 | P2B-SCBAH-207 |
| | 60mm | @ | <i>P2B-SCBAH-60M</i> |
| | 2-15/16 | @ | P2B-SCBAH-215 |
| | 75mm | @ | <i>P2B-SCBAH-75M</i> |

@ Assembled to order

| | | | |
|--------------------------------|---------------------------|------------------------|---------------------------------|
| FEATURES/BENEFITS PAGE B3-2 | NOMENCLATURE PAGE B3-4 | SELECTION PAGE B3-5 | RELATED PRODUCTS PAGE B3-133 |
|--------------------------------|---------------------------|------------------------|---------------------------------|

SELECTION/DIMENSIONS



Setscrew Ball Bearings SCBAH AIR HANDLING NORMAL DUTY PILLOW BLOCKS

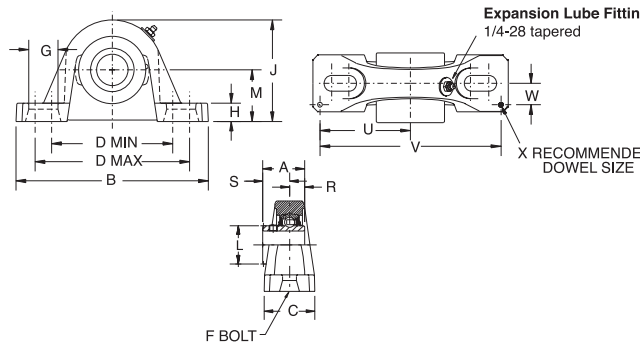
| Series | Shaft Size | Weight lbs kgs | A | B | C | D | | F Bolt Dia. | G | H | J | L | M | R | S | U | V | W | X |
|--------|------------|----------------------|---------|--------|---------|--------|---------|-------------------|--------|--------|---------|---------|---------|-------|---------|---------|----------|--------|------|
| | | | | | | min. | max. | | | | | | | | | | | | |
| 208 | 1-1/2 | 5.4 | 1-11/16 | 7-1/4 | 1-15/16 | 5-3/16 | 5-7/8 | 1/2 | 29/32 | 3/4 | 4 | 2-3/64 | 1-15/16 | 19/32 | 1-3/32 | 3-17/64 | 6-17/32 | 11/16 | 3/16 |
| | 1-5/8 | 5.3 | | | | | | | | | | | | | | | | | |
| | 40mm | 2.2 | 42.9 | 184.2 | 49.2 | 131.8 | 149.2 | M12 | 23.0 | 19.1 | 101.6 | 52.0 | 49.2 | 15.1 | 27.8 | 82.9 | 165.9 | 17.5 | 4.8 |
| 209 | 1-5/8 | 6.5 | 1-23/32 | 7-7/16 | 2 | 5-1/2 | 6-3/8 | 1/2 | 29/32 | 11/16 | 4-7/32 | 2-7/32 | 2-1/16 | 19/32 | 1-1/8 | 3-3/8 | 6-3/4 | 11/16 | 3/16 |
| | 1-11/16 | 6.4 | | | | | | | | | | | | | | | | | |
| | 1-3/4 | 6.2 | | | | | | | | | | | | | | | | | |
| | 45mm | 2.2 | 43.7 | 188.9 | 50.8 | 139.7 | 161.9 | M12 | 23.0 | 17.5 | 107.2 | 56.4 | 52.4 | 15.1 | 28.6 | 85.7 | 171.5 | 17.5 | 4.8 |
| 210 | 1-15/16 | 7.2 | 1-3/4 | 8-1/8 | 2-1/4 | 6 | 6-11/16 | 5/8 | 1-1/64 | 11/16 | 4-15/32 | 2-7/16 | 2-3/16 | 19/32 | 1-5/32 | 3-11/16 | 7-3/8 | 13/16 | 3/16 |
| | 2 | 7.0 | | | | | | | | | | | | | | | | | |
| | 50mm | 2.6 | 44.5 | 206.4 | 57.2 | 152.4 | 169.9 | M16 | 25.8 | 17.5 | 113.5 | 61.9 | 55.6 | 15.1 | 29.4 | 93.7 | 187.3 | 20.6 | 4.8 |
| 211 | 2 | 9.0 | 1-27/32 | 8-7/8 | 2-5/16 | 6-3/8 | 7-7/16 | 5/8 | 1-7/32 | 13/16 | 4-29/32 | 2-23/32 | 2-7/16 | 5/8 | 1-7/32 | 3-15/16 | 7-7/8 | 13/16 | 3/16 |
| | 2-3/16 | 8.9 | | | | | | | | | | | | | | | | | |
| | 2-1/4 | 8.8 | | | | | | | | | | | | | | | | | |
| | 55mm | 3.3 | 4.68 | 225.4 | 58.7 | 161.9 | 188.9 | M16 | 31.0 | 20.6 | 124.6 | 69.1 | 61.9 | 15.9 | 31.0 | 100.0 | 200.0 | 20.6 | 4.8 |
| 212 | 2-1/4 | 10.8 | 1-63/64 | 9-1/2 | 2-3/8 | 6-7/8 | 7-15/16 | 5/8 | 1-7/32 | 13/16 | 5-11/32 | 2-31/32 | 2-11/16 | 43/64 | 1-5/16 | 4-1/4 | 8-1/2 | 7/8 | 3/16 |
| | 2-7/16 | 10.2 | | | | | | | | | | | | | | | | | |
| | 60mm | 4.2 | 50.4 | 241.3 | 60.3 | 174.6 | 201.6 | M16 | 31.0 | 20.6 | 135.7 | 75.4 | 68.3 | 17.1 | 33.3 | 108.0 | 215.9 | 22.2 | 4.8 |
| 215 | 2-15/16 | 20.5 | 2-9/32 | 11-3/4 | 2-7/8 | 8-1/2 | 9-1/2 | 7/8 | 1-7/16 | 1-1/16 | 6-9/16 | 3-5/8 | 3-5/16 | 13/16 | 1-15/32 | 5-31/64 | 10-31/32 | 1-3/64 | 3/16 |
| | 75mm | 7.9 | 57.9 | 298.5 | 73.0 | 215.9 | 241.3 | M12 | 36.5 | 27.0 | 166.7 | 92.1 | 84.1 | 20.6 | 37.3 | 139.3 | 278.6 | 26.6 | 4.8 |

| | | | |
|--------------------------------|---------------------------|------------------------|---------------------------------|
| FEATURES/BENEFITS PAGE B3-2 | NOMENCLATURE PAGE B3-4 | SELECTION PAGE B3-5 | RELATED PRODUCTS PAGE B3-133 |
|--------------------------------|---------------------------|------------------------|---------------------------------|

SELECTION/DIMENSIONS



Setscrew Ball Bearings SCH-E EXPANSION NORMAL DUTY PILLOW BLOCKS



| Series | Shaft Size | Expansion | | Non-Expansion | |
|--------|------------|---------------|----------------|---------------|-------------|
| | | Part Number | Description | Part Number | Description |
| 205 | 1 | 064637 | P2B-SCH-100-E | 126147 | P2B-SCM-100 |
| | 25mm | @ | P2B-SCH-25M-E | 125925 | P2B-SCM-25M |
| 206 | 1-1/16 | @ | P2B-SCH-101-E | ----- | ----- |
| | 1-1/8 | @ | P2B-SCH-102-E | ----- | ----- |
| | 1 3/16 | 126405 | P2B-SCH-103-E | 126147 | P2B-SCM-103 |
| | 1-1/4 | 053183 | P2B-SCH-104S-E | 123810 | P2B-SC-104 |
| 207 | 30mm | 053021 | P2B-SCH-30M-E | 125926 | P2B-SCM-30M |
| | 1-1/4 | @ | P2B-SCH-104-E | ----- | ----- |
| | 1-5/16 | @ | P2B-SCH-105-E | ----- | ----- |
| | 1-3/8 | @ | P2B-SCH-106-E | ----- | ----- |
| 209 | 1-7/16 | 126406 | P2B-SCH-107-E | 126810 | P2B-SCM-107 |
| | 35mm | @ | P2B-SCH-35M-E | 125927 | P2B-SCM-35M |
| | 1-5/8 | @ | P2B-SCH-110L-E | ----- | ----- |
| | 1-11/16 | 057414 | P2B-SCH-111-E | 126812 | P2B-SCM-111 |
| 210 | 1-3/4 | @ | P2B-SCH-112-E | 126813 | P2B-SCM-112 |
| | 45mm | 056481 | P2B-SCH-45M-E | 125929 | P2B-SCM-45M |
| | 1-15/16 | 126407 | P2B-SCH-115-E | 126814 | P2B-SCM-115 |
| | 2 | 052224 | P2B-SCH-200-E | 126815 | P2B-SCM-200 |
| 211 | 50mm | 056483 | P2B-SCH-50M-E | 125930 | P2B-SCM-50M |
| | 2-3/16 | 126408 | P2B-SCH-203-E | 126816 | P2B-SCM-203 |
| | 2-1/4 | 068800 | P2B-SCH-204-E | 126817 | P2B-SCM-204 |
| 212 | 55mm | 053025 | P2B-SCH-55M-E | 125931 | P2B-SCM-55M |
| | 2-7/16 | 126409 | P2B-SCH-207-E | 126818 | P2B-SCM-207 |
| | 60mm | @ | P2B-SCH-60M-E | ----- | ----- |

@Assembled to order

| | | | |
|--------------------------------|---------------------------|------------------------|---------------------------------|
| FEATURES/BENEFITS PAGE B3-2 | NOMENCLATURE PAGE B3-4 | SELECTION PAGE B3-5 | RELATED PRODUCTS PAGE B3-133 |
|--------------------------------|---------------------------|------------------------|---------------------------------|

SELECTION/DIMENSIONS



Setscrew Ball Bearings SCH-E EXPANSION NORMAL DUTY PILLOW BLOCKS

| Series | Shaft Size | Weight lbs kg | A | B | C | D | | F Bolt Dia. | G | H | J |
|--------|------------|---------------------|---------|---------|---------|---------|---------|-------------------|--------|--------|---------|
| | | | | | | min. | max. | | | | |
| 205 | 1 | 2.8 | 1 3/16 | 6 1/4 | 1 47/64 | 4 1/4 | 5 | 1/2 | 15/16 | 3/4 | 3 5/16 |
| | 25mm | 1.2 | 30.2 | 158.8 | 44.1 | 108.0 | 127.0 | M12 | 23.8 | 19.1 | 84.1 |
| 206 | 1-1/16 | 4.8 | 1 25/64 | 6 7/8 | 2 | 4 11/16 | 5 7/16 | 1/2 | 1 | 11/16 | 3 13/16 |
| | 1-1/8 | 4.7 | | | | | | | | | |
| | 1-3/16 | 4.6 | | | | | | | | | |
| | 1-1/4 | 4.5 | | | | | | | | | |
| 207 | 30mm | 1.9 | 35.3 | 174.6 | 50.8 | 119.1 | 138.1 | M12 | 25.4 | 17.5 | 96.8 |
| | 1-1/4 | 6.7 | 1 17/32 | 7 15/16 | 2 1/32 | 5 1/16 | 6 5/16 | 1/2 | 1 3/16 | 3/4 | 4 3/16 |
| | 1-5/16 | 6.6 | | | | | | | | | |
| | 1-3/8 | 6.5 | | | | | | | | | |
| | 1-7/16 | 6.4 | | | | | | | | | |
| 209 | 35mm | 2.7 | 38.9 | 201.6 | 51.6 | 128.6 | 160.3 | M12 | 30.2 | 19.1 | 106.4 |
| | 1-5/8 | 6.4 | 1 23/32 | 8 1/8 | 2 3/8 | 6 | 6 1/2 | 5/8 | 15/16 | 3/4 | 4 9/16 |
| | 1-11/16 | 6.3 | | | | | | | | | |
| | 1-3/4 | 6.2 | | | | | | | | | |
| 210 | 45mm | 2.6 | 43.7 | 206.4 | 60.3 | 152.4 | 165.1 | M12 | 23.8 | 19.1 | 115.9 |
| | 1-15/16 | 9.8 | 1 3/4 | 9 1/2 | 2 1/2 | 6 | 7 1/2 | 5/8 | 1 7/16 | 7/8 | 5 3/32 |
| | 2 | 9.7 | | | | | | | | | |
| 211 | 50mm | 4.0 | 44.5 | 241.3 | 63.5 | 152.4 | 190.5 | M16 | 36.5 | 22.2 | 129.4 |
| | 2-3/16 | 14.3 | 1 27/32 | 10 1/4 | 3 | 6 5/8 | 7 7/8 | 5/8 | 1 7/16 | 1 1/16 | 5 5/8 |
| | 2-1/4 | 14.2 | | | | | | | | | |
| 212 | 55mm | 5.9 | 46.8 | 260.4 | 76.2 | 168.3 | 200.0 | M16 | 36.5 | 27.0 | 142.9 |
| | 2-7/16 | 16.6 | 2 9/32 | 11 1/4 | 3 1/4 | 7 3/16 | 8 13/16 | 3/4 | 1 5/8 | 1 1/16 | 6 1/4 |
| 212 | 60mm | 6.8 | 57.9 | 285.8 | 82.6 | 182.6 | 223.8 | M18 | 41.3 | 27.0 | 158.8 |

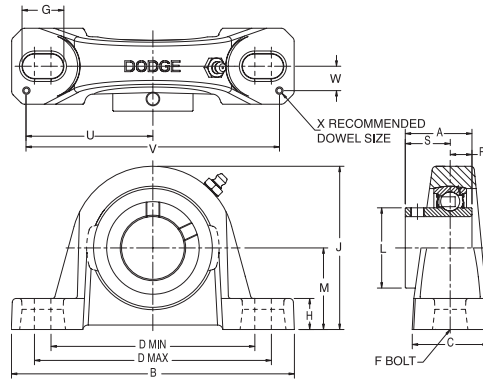
| Series | Shaft Size | L | M | R | S | T Total Expansion | U | V | W | X |
|--------|------------|---------|---------|-------|--------|-------------------------|---------|--------|-------|------|
| 205 | 1 | 1 21/64 | 1 11/16 | 27/64 | 49/64 | 5/32 | 2 7/8 | 5 3/4 | 9/16 | 3/16 |
| | 25mm | 33.7 | 42.9 | 10.7 | 19.4 | 4.0 | 73.0 | 146.1 | 14.3 | 4.8 |
| 206 | 1-1/16 | 1 37/64 | 1 7/8 | 31/64 | 29/32 | 3/16 | 3 1/8 | 6 1/4 | 11/16 | 3/16 |
| | 1-1/8 | | | | | | | | | |
| | 1-3/16 | | | | | | | | | |
| | 1-1/4 | | | | | | | | | |
| 207 | 30mm | 40.1 | 47.6 | 12.3 | 23.0 | 4.8 | 79.4 | 158.8 | 17.5 | 4.8 |
| | 1-1/4 | 1 27/32 | 2 1/8 | 1/2 | 1 1/32 | 3/16 | 3 11/16 | 7 3/8 | 23/32 | 3/16 |
| | 1-5/16 | | | | | | | | | |
| | 1-3/8 | | | | | | | | | |
| | 1-7/16 | | | | | | | | | |
| 209 | 35mm | 46.8 | 54.0 | 12.7 | 26.2 | 4.8 | 93.7 | 187.3 | 18.3 | 4.8 |
| | 1-5/8 | 2 7/32 | 2 1/4 | 19/32 | 1 1/8 | 1/4 | 3 11/16 | 7 3/8 | 13/16 | 3/16 |
| | 1-11/16 | | | | | | | | | |
| | 1-3/4 | | | | | | | | | |
| 210 | 45mm | 56.4 | 57.2 | 15.1 | 28.6 | 6.4 | 93.7 | 187.3 | 20.6 | 4.8 |
| | 1-15/16 | 2 7/16 | 2 1/2 | 19/32 | 1 5/32 | 1/4 | 4 3/8 | 8 3/4 | 7/8 | 3/16 |
| | 2 | | | | | | | | | |
| 211 | 50mm | 61.9 | 63.5 | 15.1 | 29.4 | 6.4 | 111.1 | 222.3 | 22.2 | 4.8 |
| | 2-3/16 | 2 23/32 | 2 3/4 | 5/8 | 1 7/32 | 1/4 | 4 3/4 | 9 1/2 | 1 1/8 | 3/16 |
| | 2-1/4 | | | | | | | | | |
| 212 | 55mm | 69.1 | 69.9 | 15.9 | 31.0 | 6.4 | 120.7 | 241.3 | 28.6 | 4.8 |
| | 2-7/16 | 2 31/32 | 3 | 43/64 | 1 5/16 | 1/4 | 5 1/4 | 10 1/2 | 1 1/4 | 3/16 |
| 212 | 60mm | 75.4 | 76.2 | 17.1 | 33.3 | 6.4 | 133.4 | 266.7 | 31.8 | 4.8 |

| | | | |
|--------------------------------|---------------------------|------------------------|---------------------------------|
| FEATURES/BENEFITS PAGE B3-2 | NOMENCLATURE PAGE B3-4 | SELECTION PAGE B3-5 | RELATED PRODUCTS PAGE B3-133 |
|--------------------------------|---------------------------|------------------------|---------------------------------|

SELECTION/DIMENSIONS



Setscrew Ball Bearings SCM MEDIUM DUTY PILLOW BLOCKS



Lube Fitting

203 series - 1/4-28 tapered thread
204 series and larger - 1/8-27 NPT

| Series | Shaft Size | Standard | | No-Lube/Sealed for Life (-NL) | | With Flingers | |
|---------------|----------------------------|---------------|--------------|-------------------------------|-----------------|---------------|-----------------|
| | | Part No. | Description | Part No. | Description | Part No. | Description |
| 206 | 1 25mm | 126147 | P2B-SCM-100 | 058624 | P2B-SCM-100-NL | @ | P2B-SCM-100-FF |
| | | 125925 | P2B-SCM-25M | @ | P2B-SCM-25M-NL | @ | P2B-SCM-25M-FF |
| 206 (SCMU) | 1 25mm | 064249 | P2B-SCMU-100 | @ | P2B-SCMU-100-NL | @ | P2B-SCMU-100-FF |
| | | @ | P2B-SCMU-25M | @ | P2B-SCMU-25M-NL | @ | P2B-SCMU-25M-FF |
| 207 | 1-3/16 1-1/4 30mm | 126148 | P2B-SCM-103 | 052275 | P2B-SCM-103-NL | 068049 | P2B-SCM-103-FF |
| | | 123810 | P2B-SC-104 | 123933 | P2B-SC-104-NL | 123097 | P2B-SC-104-FF |
| 208 | 1-7/16 35mm | 125926 | P2B-SCM-30M | @ | P2B-SCM-30M-NL | @ | P2B-SCM-30M-FF |
| | | 126810 | P2B-SCM-107 | 126855 | P2B-SCM-107-NL | 057275 | P2B-SCM-107-FF |
| 209 | 1-1/2 1-5/8 40mm | 125937 | P2B-SCM-35M | @ | P2B-SCM-35M-NL | @ | P2B-SCM-35M-FF |
| | | 126811 | P2B-SCM-108 | 058400 | P2B-SCM-108-NL | 050808 | P2B-SCM-108-FF |
| 210 | 1-11/16 1-3/4 45mm | 125169 | P2B-SC-110L | @ | P2B-SC-110L-NL | @ | P2B-SC-110L-FF |
| | | 125928 | P2B-SCM-40M | @ | P2B-SCM-40M-NL | @ | P2B-SCM-40M-FF |
| 211 | 1-11/16 2 50mm | 126812 | P2B-SCM-111 | @ | P2B-SCM-111-NL | @ | P2B-SCM-111-FF |
| | | 126813 | P2B-SCM-112 | @ | P2B-SCM-112-NL | 051981 | P2B-SCM-112-FF |
| 212 | 2-3/16 2-1/4 55mm | 125929 | P2B-SCM-45M | @ | P2B-SC-M45M-NL | @ | P2B-SCM-45M-FF |
| | | 126814 | P2B-SCM-115 | 126856 | P2B-SCM-115-NL | 126802 | P2B-SCM-115-FF |
| 213 | 2 50mm | 126815 | P2B-SCM-200 | 126547 | P2B-SCM-200-NL | 054561 | P2B-SCM-200-FF |
| | | 125930 | P2B-SCM-50M | 065548 | P2B-SCM-50M-NL | @ | P2B-SCM-50M-FF |
| 214 | 2-3/16 2-1/4 55mm | 126816 | P2B-SCM-203 | 052005 | P2B-SCM-203-NL | 126858 | P2B-SCM-203-FF |
| | | 126817 | P2B-SCM-204 | @ | P2B-SCM-204-NL | @ | P2B-SCM-204-FF |
| 215 | 2-7/16 2-1/2 65mm | 125931 | P2B-SCM-55M | @ | P2B-SCM-55M-NL | @ | P2B-SCM-55M-FF |
| | | 126818 | P2B-SCM-207 | 126857 | P2B-SCM-207-NL | 126859 | P2B-SCM-207-FF |
| 216 | 2-11/16 2-15/16 70mm | 126819 | P2B-SCM-208 | @ | P2B-SCM-208-NL | @ | P2B-SCM-208-FF |
| | | 125932 | P2B-SCM-65M | 068025 | P2B-SCM-65M-NL | 052816 | P2B-SCM-65M-FF |
| 217 | 2-11/16 2-15/16 70mm | 126820 | P2B-SCM-211 | 126533 | P2B-SCM-211-NL | @ | P2B-SCM-211-FF |
| | | 125933 | P2B-SCM-70M | @ | P2B-SC-70M-NL | @ | P2B-SCM-70M-FF |
| 218 | 2-15/16 3 75mm | 126821 | P2B-SCM-215 | 126534 | P2B-SCM-215-NL | 050185 | P2B-SCM-215-FF |
| | | 126822 | P2B-SCM-300 | 126535 | P2B-SCM-300-NL | 054459 | P2B-SCM-300-FF |
| 219 | 3-7/16 3-1/2 85mm | 125934 | P2B-SCM-75M | @ | P2B-SCM-75M-NL | 054435 | P2B-SCM-75M-FF |
| | | 126823 | P2B-SCM-307 | @ | P2B-SCM-307-NL | 126792 | P2B-SCM-307-FF |
| 220 | 3-1/2 85mm | 126824 | P2B-SCM-308 | @ | P2B-SCM-308-NL | @ | P2B-SCM-308-FF |
| | | 125935 | PWB-SCM-85M | @ | PWB-SCM-85M-NL | @ | PWB-SCM-85M-FF |

@ Assembled to order

| | | | |
|--------------------------------|---------------------------|------------------------|---------------------------------|
| FEATURES/BENEFITS PAGE B3-2 | NOMENCLATURE PAGE B3-4 | SELECTION PAGE B3-5 | RELATED PRODUCTS PAGE B3-133 |
|--------------------------------|---------------------------|------------------------|---------------------------------|

SELECTION/DIMENSIONS



Setscrew Ball Bearings SCM MEDIUM DUTY PILLOW BLOCKS

| Series | Shaft Size | Weight lbs. kgs. | A | B | C | D | | F Bolt Dia. | G | H | J | L | M | R | S | U | V | W | X |
|------------|------------|------------------|---------|--------|---------|---------|---------|-------------|---------|--------|---------|---------|---------|-------|---------|---------|----------|--------|------|
| | | | | | | Min. | Max. | | | | | | | | | | | | |
| 206 | 1 | 3.0 | 1-25/64 | 6-1/4 | 1-47/64 | 4-1/4 | 5 | 1/2 | 15/16 | 3/4 | 3-5/16 | 1-37/64 | 1-11/16 | 31/64 | 29/32 | 2-7/8 | 5-3/4 | 9/16 | 3/16 |
| | 25mm | 1.3 | 35.3 | 158.8 | 44.1 | 108.0 | 127.0 | M12 | 23.8 | 19.1 | 84.2 | 40.1 | 41.3 | 12.3 | 23.0 | 73.0 | 146.1 | 14.3 | 4.8 |
| 206 (SCMU) | 1 | 3.1 | 1-25/64 | 6-1/4 | 1-47/64 | 4-1/4 | 5 | 1/2 | 15/16 | 13/16 | 3-3/8 | 1-37/64 | 1-3/4 | 31/64 | 29/32 | 2-7/8 | 5-3/4 | 9/16 | 3/16 |
| | 25mm | 1.4 | 35.3 | 158.8 | 44.1 | 108.0 | 127.0 | M12 | 23.8 | 20.6 | 85.7 | 40.1 | 44.5 | 12.3 | 23.0 | 73.0 | 146.1 | 14.3 | 4.8 |
| 207 | 1-3/16 | 4.6 | 1-17/32 | 6-1/2 | 1-47/64 | 4-11/16 | 5-7/16 | 1/2 | 15/16 | 45/64 | 3-3/4 | 1-27/32 | 1-7/8 | 1/2 | 1-1/32 | 2-29/32 | 5-13/16 | 9/16 | 3/16 |
| | 1-1/4 | 4.2 | | | | | | | | | | | | | | | | | |
| | 30mm | 2.0 | 38.9 | 165.1 | 44.1 | 119.1 | 138.1 | M12 | 23.8 | 17.9 | 95.3 | 46.8 | 47.6 | 12.7 | 26.2 | 73.8 | 147.6 | 14.3 | 4.8 |
| 208 | 1-7/16 | 5.4 | 1-11/16 | 7-1/4 | 1-15/16 | 5-3/16 | 5-7/8 | 1/2 | 29/32 | 15/16 | 4-3/16 | 2-3/64 | 2-1/8 | 19/32 | 1-3/32 | 3-17/64 | 6-17/32 | 11/16 | 3/16 |
| | 35mm | 2.3 | 42.9 | 184.2 | 49.2 | 131.8 | 149.2 | M12 | 23.0 | 23.8 | 106.4 | 52.0 | 54.0 | 15.1 | 27.8 | 82.9 | 165.9 | 17.5 | 4.8 |
| 209 | 1-1/2 | 6.4 | 1-23/32 | 7-7/16 | 2 | 5-1/2 | 6-3/8 | 1/2 | 29/32 | 3/4 | 4-9/32 | 2-7/32 | 2-1/8 | 19/32 | 1-1/8 | 3-3/8 | 6-3/4 | 11/16 | 3/16 |
| | 1-5/8 | 6.3 | | | | | | | | | | | | | | | | | |
| | 40mm | 2.7 | 43.7 | 188.9 | 50.8 | 139.7 | 161.9 | M12 | 23.0 | 19.1 | 108.7 | 56.4 | 54.0 | 15.1 | 28.6 | 85.7 | 171.5 | 17.5 | 4.8 |
| 210 | 1-11/16 | 7.4 | 1-3/4 | 8-1/8 | 2-1/4 | 6 | 6-11/16 | 5/8 | 1-1/16 | 3/4 | 4-17/32 | 2-7/16 | 2-1/4 | 19/32 | 1-5/32 | 3-11/16 | 7-3/8 | 13/16 | 3/16 |
| | 1-3/4 | 7.3 | | | | | | | | | | | | | | | | | |
| | 45mm | 3.2 | 44.5 | 206.4 | 57.2 | 152.4 | 169.9 | M16 | 22.0 | 19.1 | 115.1 | 61.9 | 57.2 | 15.1 | 29.4 | 93.7 | 187.3 | 20.6 | 4.8 |
| 211 | 1-15/16 | 9.2 | 1-27/32 | 8-7/8 | 2-5/16 | 6-3/8 | 7-7/16 | 5/8 | 1-7/32 | 7/8 | 4-31/32 | 2-23/32 | 2-1/2 | 5/8 | 1-7/32 | 3-15/16 | 7-7/8 | 13/16 | 3/16 |
| | 2 | 9.0 | | | | | | | | | | | | | | | | | |
| | 50mm | 3.9 | 46.8 | 225.4 | 58.7 | 161.9 | 188.9 | M16 | 31.0 | 22.2 | 126.2 | 69.1 | 63.5 | 15.9 | 31.0 | 100.0 | 200.0 | 20.6 | 4.8 |
| 212 | 2-3/16 | 11.0 | 1-63/64 | 9-1/2 | 2-3/8 | 6-7/8 | 7-15/16 | 5/8 | 1-7/32 | 7/8 | 5-13/32 | 2-31/32 | 2-3/4 | 43/64 | 1-5/16 | 4-1/4 | 8-1/2 | 7/8 | 3/16 |
| | 2-1/4 | 10.8 | | | | | | | | | | | | | | | | | |
| | 55mm | 4.7 | 50.4 | 241.3 | 60.3 | 174.6 | 201.6 | M16 | 31.0 | 22.2 | 137.3 | 75.4 | 69.9 | 17.1 | 33.3 | 108.0 | 215.9 | 22.2 | 4.8 |
| 214 | 2-7/16 | 15.7 | 2-15/64 | 10-3/4 | 2-11/16 | 7-1/2 | 8-1/2 | 3/4 | 1-5/16 | 15/16 | 6-3/32 | 3-5/16 | 3 | 51/64 | 1-7/16 | 4-7/8 | 9-3/4 | 15/16 | 3/16 |
| | 2-1/2 | 15.5 | | | | | | | | | | | | | | | | | |
| | 65mm | 6.7 | 56.8 | 273.1 | 68.3 | 190.5 | 215.9 | M18 | 33.3 | 23.8 | 154.8 | 84.1 | 76.2 | 20.2 | 36.5 | 123.8 | 247.7 | 23.8 | 4.8 |
| 215 | 2-11/16 | 21.0 | 2-9/32 | 11-3/4 | 2-7/8 | 8-1/2 | 9-1/2 | 7/8 | 1-7/16 | 1 | 6-3/4 | 3-5/8 | 3-1/2 | 13/16 | 1-15/32 | 5-31/64 | 10-31/32 | 1-3/64 | 3/16 |
| | 70mm | 9.0 | 57.9 | 298.5 | 73.0 | 215.9 | 241.3 | M22 | 36.5 | 25.4 | 171.5 | 92.1 | 88.9 | 20.6 | 37.3 | 139.3 | 278.6 | 26.6 | 4.8 |
| 216 | 2-15/16 | 21.3 | 2-11/32 | 11-3/4 | 3 | 8-1/2 | 9-1/2 | 7/8 | 1-7/16 | 1-1/4 | 6-31/32 | 3-53/64 | 3-1/2 | 27/32 | 1-1/2 | 5-1/2 | 11 | 1-3/32 | 3/16 |
| | 3 | 21.1 | | | | | | | | | | | | | | | | | |
| | 75mm | 9.0 | 59.5 | 298.5 | 76.2 | 215.9 | 241.3 | M22 | 36.5 | 31.8 | 177.0 | 97.2 | 88.9 | 21.4 | 38.1 | 139.7 | 279.4 | 27.8 | 4.8 |
| 218 | 3-7/16 | 31.8 | 2-31/64 | 14 | 3-3/8 | 10-5/16 | 11-5/8 | 7/8 | 1-19/32 | 1-5/16 | 8 | 4-23/64 | 4 | 59/64 | 1-9/16 | 6-9/16 | 13-1/8 | 1-3/16 | 3/16 |
| | 3-1/2 | 31.3 | | | | | | | | | | | | | | | | | |
| | 85mm | 13.6 | 63.1 | 355.6 | 85.7 | 261.9 | 295.3 | M22 | 40.5 | 33.3 | 203.2 | 110.7 | 101.6 | 23.4 | 39.7 | 166.7 | 333.4 | 30.2 | 4.8 |

| | | | |
|--------------------------------|---------------------------|------------------------|---------------------------------|
| FEATURES/BENEFITS PAGE B3-2 | NOMENCLATURE PAGE B3-4 | SELECTION PAGE B3-5 | RELATED PRODUCTS PAGE B3-133 |
|--------------------------------|---------------------------|------------------------|---------------------------------|

SELECTION/DIMENSIONS

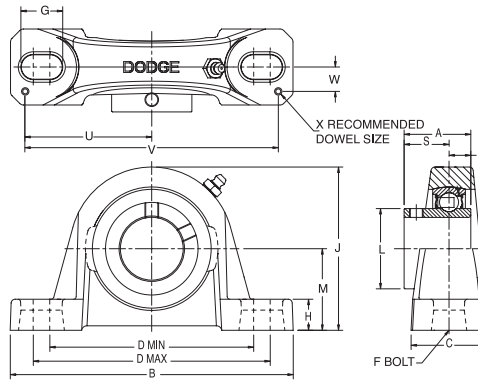
DODGE®



Setscrew Ball Bearings SCMAH AIR HANDLING MEDIUM DUTY PILLOW BLOCKS

Lube Fitting

203 series - 1/4-28 tapered thread
204 series and larger - 1/8-27 NPT



| Series | Shaft Size | Part No. | Description |
|--------|------------|---------------|---------------|
| 206 | 1 | 126110 | P2B-SCMAH-100 |
| | 25mm | @ | P2B-SCMAH-25M |
| 207 | 1-3/16 | 126112 | P2B-SCMAH-103 |
| | 1-1/4 | 123907 | P2B-SCAH-104 |
| | 30mm | 064756 | P2B-SCMAH-30M |
| 208 | 1-7/16 | 126835 | P2B-SCMAH-107 |
| | 35mm | 062304 | P2B-SCMAH-35M |
| 209 | 1-1/2 | 126836 | P2B-SCMAH-108 |
| | 1-5/8 | @ | P2B-SCAH-110L |
| | 40mm | 064136 | P2B-SCMAH-40M |
| 210 | 1-11/16 | 126837 | P2B-SCMAH-111 |
| | 1-3/4 | 126838 | P2B-SCMAH-112 |
| | 45mm | 062321 | P2B-SCMAH-45M |
| 211 | 1-15/16 | 126839 | P2B-SCMAH-115 |
| | 2 | 126847 | P2B-SCMAH-200 |
| | 50mm | 056811 | P2B-SCMAH-50M |
| 212 | 2-3/16 | 126840 | P2B-SCMAH-203 |
| | 2-1/4 | @ | P2B-SCMAH-204 |
| | 55mm | 049816 | P2B-SCMAH-55M |
| 214 | 2-7/16 | 126841 | P2B-SCMAH-207 |
| | 2-1/2 | @ | P2B-SCMAH-208 |
| | 65mm | @ | P2B-SCMAH-65M |
| 215 | 2-11/16 | 126842 | P2B-SCMAH-211 |
| | 70mm | 049818 | P2B-SCMAH-70M |
| 216 | 2-15/16 | 126843 | P2B-SCMAH-215 |
| | 3 | @ | P2B-SCMAH-300 |
| | 75mm | 053719 | P2B-SCM-75M |
| 218 | 3-7/16 | 126844 | P2B-SCMAH-307 |
| | 3-1/2 | @ | P2B-SCMAH-308 |
| | 85mm | @ | P2B-SCMAH-85M |

@ Assembled to order.

FEATURES/BENEFITS
PAGE B3-2

NOMENCLATURE
PAGE B3-4

SELECTION
PAGE B3-5

RELATED PRODUCTS
PAGE B3-133

SELECTION/DIMENSIONS



Setscrew Ball Bearings SCMAH AIR HANDLING MEDIUM DUTY PILLOW BLOCKS

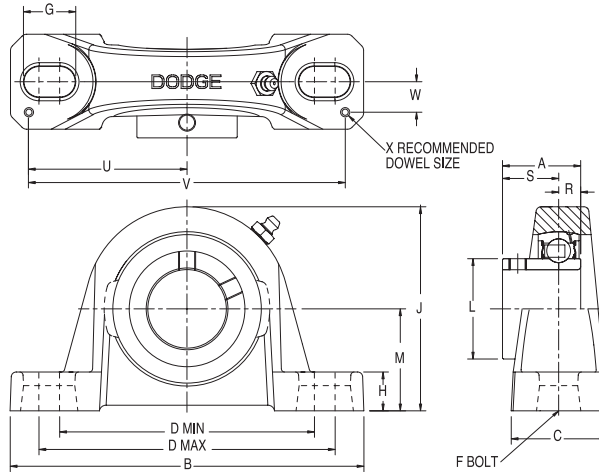
| Series | Shaft Size | Weight lbs kgs. | A | B | C | D | | F Bolt Dia. | G | H | J | L | M | R | S | U | V | W | X |
|--------|---------------|--------------------|---------|--------|---------|---------|---------|-------------|---------|--------|---------|---------|---------|-------|---------|---------|----------|--------|------|
| | | | | | | min. | max. | | | | | | | | | | | | |
| 206 | 1 | 3.0 | 1-25/64 | 6-1/4 | 1-47/64 | 4-1/4 | 5 | 1/2 | 15/16 | 3/4 | 3-5/16 | 1-37/64 | 1-11/16 | 31/64 | 29/32 | 2-7/8 | 5-3/4 | 9/16 | 3/16 |
| | 25mm | 1.3 | 35.3 | 158.8 | 44.1 | 108.0 | 127.0 | M12 | 23.8 | 19.1 | 84.1 | 40.1 | 42.9 | 12.3 | 23.0 | 73.0 | 146.1 | 14.3 | 4.8 |
| 207 | 1-3/16 | 4.6 | 1-17/32 | 6-1/2 | 1-47/64 | 4-11/16 | 5-7/16 | 1/2 | 15/16 | 45/64 | 3-3/4 | 1-27/32 | 1-7/8 | 1/2 | 1-1/32 | 2-29/32 | 5-13/16 | 9/16 | 3/16 |
| | 1-1/4 30mm | 4.2 2.0 | 38.9 | 165.1 | 44.1 | 119.1 | 138.1 | M12 | 23.8 | 18.3 | 95.3 | 46.8 | 47.6 | 12.7 | 26.2 | 73.8 | 147.6 | 14.3 | 4.8 |
| 208 | 1-7/16 | 5.4 | 1-11/16 | 7-1/4 | 1-15/16 | 5-3/16 | 5-7/8 | 1/2 | 29/32 | 15/16 | 4-3/16 | 2-3/64 | 2-1/8 | 19/32 | 1-3/32 | 3-17/64 | 6-17/32 | 11/16 | 3/16 |
| | 35mm | 2.3 | 42.9 | 184.2 | 49.2 | 131.8 | 149.2 | M12 | 23.0 | 23.8 | 106.4 | 52.0 | 54.0 | 15.1 | 27.8 | 82.9 | 165.9 | 17.5 | 4.8 |
| 209 | 1-1/2 | 6.4 | 1-23/32 | 7-7/16 | 2 | 5-1/2 | 6-3/8 | 1/2 | 29/32 | 3/4 | 4-9/32 | 2-7/32 | 2-1/8 | 19/32 | 1-1/8 | 3-3/8 | 6-3/4 | 11/16 | 3/16 |
| | 1-5/8 40mm | 6.3 2.7 | 43.7 | 188.9 | 50.8 | 139.7 | 161.9 | M12 | 23.0 | 19.1 | 108.7 | 56.4 | 54.0 | 15.1 | 28.6 | 85.7 | 171.5 | 17.5 | 4.8 |
| 210 | 1-11/16 | 7.4 | 1-3/4 | 8-1/8 | 2-1/4 | 6 | 6-11/16 | 5/8 | 1-1/16 | 3/4 | 4-17/32 | 2-7/16 | 2-1/4 | 19/32 | 1-5/32 | 3-11/16 | 7-3/8 | 13/16 | 3/16 |
| | 1-3/4 45mm | 7.3 3.2 | 44.5 | 206.4 | 57.2 | 152.4 | 169.9 | M16 | 22.0 | 19.1 | 115.1 | 61.9 | 57.2 | 15.1 | 29.4 | 93.7 | 187.3 | 20.6 | 4.8 |
| 211 | 1-15/16 | 9.2 | 1-27/32 | 8-7/8 | 2-5/16 | 6-3/8 | 7-7/16 | 5/8 | 1-7/32 | 7/8 | 4-31/32 | 2-23/32 | 2-1/2 | 5/8 | 1-7/32 | 3-15/16 | 7-7/8 | 13/16 | 3/16 |
| | 2 50mm | 9.0 3.9 | 44.5 | 225.4 | 58.7 | 161.9 | 188.9 | M16 | 31.0 | 22.2 | 126.2 | 69.1 | 63.5 | 15.9 | 31.0 | 100.0 | 200.0 | 20.6 | 4.8 |
| 212 | 2-3/16 | 11.0 | 1-63/64 | 9-1/2 | 2-3/8 | 6-7/8 | 7-15/16 | 5/8 | 1-7/32 | 7/8 | 5-13/32 | 2-31/32 | 2-3/4 | 43/64 | 1-5/16 | 4-1/4 | 8-1/2 | 7/8 | 3/16 |
| | 2-1/4 55mm | 10.8 4.7 | 50.4 | 241.3 | 60.3 | 174.6 | 201.6 | M16 | 31.0 | 22.2 | 137.3 | 75.4 | 69.9 | 17.1 | 33.3 | 108.0 | 215.9 | 22.2 | 4.8 |
| 214 | 2-7/16 | 15.7 | 2-15/64 | 10-3/4 | 2-11/16 | 7-1/2 | 8-1/2 | 3/4 | 1-5/16 | 15/16 | 6-3/32 | 3-5/16 | 3 | 51/64 | 1-7/16 | 4-7/8 | 9-3/4 | 15/16 | 3/16 |
| | 2-1/2 65mm | 15.5 6.7 | 56.8 | 273.1 | 68.3 | 190.5 | 215.9 | M18 | 33.3 | 23.8 | 154.8 | 84.1 | 76.2 | 20.2 | 36.5 | 123.8 | 247.7 | 23.8 | 4.8 |
| 215 | 2-11/16 | 21.0 | 2-9/32 | 11-3/4 | 2-7/8 | 8-1/2 | 9-1/2 | 7/8 | 1-7/16 | 1 | 6-3/4 | 3-5/8 | 3-1/2 | 13/16 | 1-15/32 | 5-31/64 | 10-31/32 | 1-3/64 | 3/16 |
| | 70mm | 9.0 | 57.9 | 298.5 | 73.0 | 215.9 | 241.3 | M22 | 36.5 | 25.4 | 171.5 | 92.1 | 88.9 | 20.6 | 37.3 | 139.3 | 278.6 | 26.6 | 4.8 |
| 216 | 2-15/16 | 21.3 | 2-11/32 | 11-3/4 | 3 | 8-1/2 | 9-1/2 | 7/8 | 1-7/16 | 1-1/4 | 6-31/32 | 3-53/64 | 3-1/2 | 27/32 | 1-1/2 | 5-1/2 | 11 | 1-3/32 | 3/16 |
| | 3 75mm | 21.1 9.1 | 59.5 | 298.5 | 76.2 | 215.9 | 241.3 | M22 | 36.5 | 31.8 | 177.0 | 97.2 | 88.9 | 21.4 | 38.1 | 139.7 | 279.4 | 27.8 | 4.8 |
| 218 | 3-7/16 | 31.8 | 2-31/64 | 14 | 3-3/8 | 10-5/16 | 11-5/8 | 7/8 | 1-19/32 | 1-5/16 | 8 | 4-23/64 | 4 | 59/64 | 1-9/16 | 6-9/16 | 13-1/8 | 1-3/16 | 3/16 |
| | 3-1/2 85mm | 31.3 13.6 | 63.1 | 355.6 | 85.7 | 261.9 | 295.3 | M22 | 40.5 | 33.3 | 203.2 | 110.7 | 101.6 | 23.4 | 39.7 | 166.7 | 333.4 | 30.2 | 4.8 |

| | | | |
|--------------------------------|---------------------------|------------------------|---------------------------------|
| FEATURES/BENEFITS PAGE B3-2 | NOMENCLATURE PAGE B3-4 | SELECTION PAGE B3-5 | RELATED PRODUCTS PAGE B3-133 |
|--------------------------------|---------------------------|------------------------|---------------------------------|

SELECTION/DIMENSIONS



Setscrew Ball Bearings VSC AND VSCU INTERMEDIATE DUTY PILLOW BLOCKS



Lube Fitting
203 series - 1/4-28 tapered thread
204 series and larger - 1/8-27 NPT

| Series | Shaft Size | Standard | | No-Lube/Sealed for Life (-NL) | |
|------------|------------|---------------|---------------|-------------------------------|------------------|
| | | Part No. | Description | Part No. | Description |
| 203 | 1/2 | 125500 | P2B-VSC-008 | 049887 | P2B-VSC-008-NL |
| | 5/8 | 125501 | P2B-VSC-010 | @ | P2B-VSC-010-NL |
| | 17mm | @ | P2B-VSC-17M | @ | P2B-VSC-17M-NL |
| 203 (VSCU) | 1/2 | 125513 | P2B-VSCU-008 | @ | P2B-VSCU-008-NL |
| | 5/8 | 125514 | P2B-VSCU-010 | @ | P2B-VSCU-010-NL |
| | 17mm | 125685 | P2B-VSCU-17M | @ | P2B-VSCU-17M-NL |
| 204 | 3/4 | 123580 | P2B-VSC-012 | 054495 | P2B-VSC-012-NL |
| | 20mm | 125686 | P2B-VSC-20M | @ | P2B-VSC-20M-NL |
| 205 | 7/8 | 125502 | P2B-VSC-014 | @ | P2B-VSC-014-NL |
| | 15/16 | 125503 | P2B-VSC-015 | @ | P2B-VSC-015-NL |
| | 1 | 123581 | P2B-VSC-100 | 123590 | P2B-VSC-100-NL |
| | 25mm | 125687 | P2B-VSC-25M | @ | P2B-VSC-25M-NL |
| 206 | 1-1/8 | 125504 | P2B-VSC-102 | @ | P2B-VSC-102-NL |
| | 1-3/16 | 123582 | P2B-VSC-103 | 064691 | P2B-VSC-103-NL |
| | 1-1/4 | 123589 | P2B-VSC-104S | @ | P2B-VSC-104S-NL |
| | 30mm | 125751 | P2B-VSC-30M | @ | P2B-VSC-30M-NL |
| 206 (VSCU) | 1-1/8 | 125515 | P2B-VSCU-102 | @ | P2B-VSCU-102-NL |
| | 1-3/16 | 123604 | P2B-VSCU-103 | 050845 | P2B-VSCU-103-NL |
| | 1-1/4 | 123606 | P2B-VSCU-104S | @ | P2B-VSCU-104S-NL |
| | 30mm | 125688 | P2B-VSCU-30M | @ | P2B-VSCU-30M-NL |

@Assembled to order

| | | | |
|--------------------------------|---------------------------|------------------------|---------------------------------|
| FEATURES/BENEFITS PAGE B3-2 | NOMENCLATURE PAGE B3-4 | SELECTION PAGE B3-5 | RELATED PRODUCTS PAGE B3-133 |
|--------------------------------|---------------------------|------------------------|---------------------------------|

SELECTION/DIMENSIONS



Setscrew Ball Bearings VSC AND VSCU INTERMEDIATE DUTY PILLOW BLOCKS

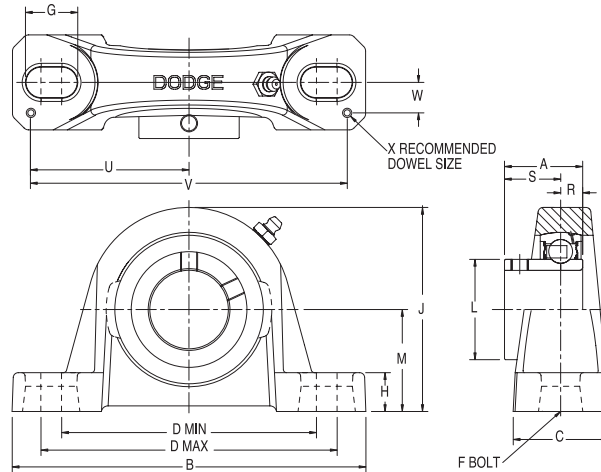
| Series | Shaft Size | Weight lbs. kg. | A | B | C | D | | F Bolt Dia. | G | H | J | L | M | R | S | U | V | W | X |
|------------|------------|-----------------|---------|-------|---------|---------|--------|-------------|-------|-------|---------|---------|---------|-------|-------|-------|-------|------|------|
| | | | | | | Min. | Max. | | | | | | | | | | | | |
| 203 | 1/2 | 1.1 | 15/16 | 5 | 1-13/64 | 3-1/4 | 4-1/16 | 3/8 | 27/32 | 15/32 | 2-9/64 | 31/32 | 1-1/16 | 19/64 | 41/64 | 2-1/4 | 4-1/2 | 3/8 | 1/8 |
| | 5/8 | 1.0 | | | | | | | | | | | | | | | | | |
| | 17mm | 0.5 | 23.8 | 127.0 | 30.6 | 82.6 | 103.2 | M10 | 21.4 | 11.9 | 54.4 | 24.6 | 27.0 | 7.5 | 16.3 | 57.2 | 114.3 | 9.5 | 3.2 |
| 203 (VSCU) | 1/2 | 1.2 | 15/16 | 5 | 1-13/64 | 3-1/4 | 4-1/16 | 3/8 | 27/32 | 19/32 | 2-17/64 | 31/32 | 1-3/16 | 19/64 | 41/64 | 2-1/4 | 4-1/2 | 3/8 | 1/8 |
| | 5/8 | 1.1 | | | | | | | | | | | | | | | | | |
| | 17mm | 0.6 | 23.8 | 127.0 | 30.6 | 82.6 | 103.2 | M10 | 21.4 | 15.1 | 57.5 | 24.6 | 30.2 | 7.5 | 16.3 | 57.2 | 114.3 | 9.5 | 3.2 |
| 204 | 3/4 | 1.4 | 1-1/16 | 5-1/4 | 1-21/64 | 3-3/8 | 4-3/16 | 3/8 | 27/32 | 17/32 | 2-9/16 | 1-7/64 | 1-5/16 | 21/64 | 47/64 | 2-1/4 | 4-1/2 | 1/2 | 1/8 |
| | 20mm | 0.6 | 27.0 | 133.4 | 33.7 | 85.7 | 106.4 | M10 | 21.4 | 13.5 | 65.1 | 28.2 | 33.3 | 8.3 | 18.7 | 57.2 | 114.3 | 12.7 | 3.2 |
| | | | | | | | | | | | | | | | | | | | |
| 205 | 7/8 | 1.8 | 1-3/32 | 5-1/2 | 1-13/32 | 3-11/16 | 4-1/2 | 3/8 | 27/32 | 37/64 | 2-25/32 | 1-21/64 | 1-7/16 | 21/64 | 49/64 | 2-1/2 | 5 | 1/2 | 3/16 |
| | 15/16 | 1.7 | | | | | | | | | | | | | | | | | |
| | 1 | 1.6 | | | | | | | | | | | | | | | | | |
| 206 | 25mm | 0.8 | 27.8 | 139.7 | 35.7 | 93.7 | 114.3 | M10 | 21.4 | 14.7 | 70.6 | 33.7 | 36.5 | 8.3 | 19.4 | 63.5 | 127.0 | 12.7 | 4.8 |
| | 1-1/8 | 2.7 | 1-19/64 | 6-1/4 | 1-47/64 | 4-1/4 | 5 | 1/2 | 15/16 | 11/16 | 3-1/4 | 1-37/64 | 1-5/8 | 25/64 | 29/32 | 2-7/8 | 5-3/4 | 9/16 | 3/16 |
| | 1-3/16 | 2.6 | | | | | | | | | | | | | | | | | |
| | 1-1/4 | 2.5 | | | | | | | | | | | | | | | | | |
| 206 (VSCU) | 30mm | 1.2 | 32.9 | 158.8 | 44.1 | 108.0 | 127.0 | M12 | 23.8 | 17.5 | 82.6 | 40.1 | 41.3 | 9.9 | 23.0 | 73.0 | 146.1 | 14.3 | 4.8 |
| | 1-1/8 | 2.8 | 1-19/64 | 6-1/4 | 1-47/64 | 4-1/4 | 5 | 1/2 | 15/16 | 3/4 | 3-5/16 | 1-37/64 | 1-11/16 | 25/64 | 29/32 | 2-7/8 | 5-3/4 | 9/16 | 3/16 |
| | 1-3/16 | 2.7 | | | | | | | | | | | | | | | | | |
| | 1-1/4 | 2.6 | | | | | | | | | | | | | | | | | |
| 206 (VSCU) | 30mm | 1.3 | 32.9 | 158.8 | 44.1 | 108.0 | 127.0 | M12 | 23.8 | 19.1 | 84.1 | 40.1 | 42.9 | 9.9 | 23.0 | 73.0 | 146.1 | 14.3 | 4.8 |
| | | | | | | | | | | | | | | | | | | | |

| | | | |
|--------------------------------|---------------------------|------------------------|---------------------------------|
| FEATURES/BENEFITS PAGE B3-2 | NOMENCLATURE PAGE B3-4 | SELECTION PAGE B3-5 | RELATED PRODUCTS PAGE B3-133 |
|--------------------------------|---------------------------|------------------------|---------------------------------|

SELECTION/DIMENSIONS



Setscrew Ball Bearings VSC AND VSCU INTERMEDIATE DUTY PILLOW BLOCKS



Lube Fitting

203 series - 1/4-28 tapered thread
204 series and larger - 1/8-27 NPT

| Series | Shaft Size | Standard | | No-Lube/Sealed for Life (-NL) | |
|--------|------------|---------------|--------------------|-------------------------------|-----------------------|
| | | Part No. | Description | Part No. | Description |
| 207 | 1-1/4 | 123583 | P2B-VSC-104 | 051889 | P2B-VSC-104-NL |
| | 1-3/8 | 125505 | P2B-VSC-106 | @ | P2B-VSC-106-NL |
| | 1-7/16 | 123584 | P2B-VSC-107 | 050838 | P2B-VSC-107-NL |
| | 35mm | 125689 | <i>P2B-VSC-35M</i> | 067664 | <i>P2B-VSC-35M-NL</i> |
| 208 | 1-1/2 | 123585 | P2B-VSC-108 | 051890 | P2B-VSC-108-NL |
| | 40mm | @ | <i>P2B-VSC-40M</i> | @ | <i>P2B-VSC-40M-NL</i> |
| 209 | 1-11/16 | 125506 | P2B-VSC-111 | @ | P2B-VSC-111-NL |
| | 1-3/4 | 124933 | P2B-VSC-112 | @ | P2B-VSC-112-NL |
| | 45mm | 125691 | <i>P2B-VSC-45M</i> | @ | <i>P2B-VSC-45M-NL</i> |
| 210 | 1-15/16 | 123586 | P2B-VSC-115 | 053662 | P2B-VSC-115-NL |
| | 2 | 123587 | P2B-VSC-200 | @ | P2B-VSC-200-NL |
| | 50mm | 125692 | <i>P2B-VSC-50M</i> | @ | <i>P2B-VSC-50M-NL</i> |
| 211 | 2 | 123593 | P2B-VSC-200L | 049784 | P2B-VSC-200L-NL |
| | 2-3/16 | 123588 | P2B-VSC-203 | @ | P2B-VSC-203-NL |
| | 55mm | 125693 | <i>P2B-VSC-55M</i> | @ | <i>P2B-VSC-55M-NL</i> |

@Assembled to order

| | | | |
|--------------------------------|---------------------------|------------------------|---------------------------------|
| FEATURES/BENEFITS PAGE B3-2 | NOMENCLATURE PAGE B3-4 | SELECTION PAGE B3-5 | RELATED PRODUCTS PAGE B3-133 |
|--------------------------------|---------------------------|------------------------|---------------------------------|

SELECTION/DIMENSIONS



Bearing Quick Reference

E-Z KLEEN

GRIP TIGHT Adapter Ball Bearing

Set Screw Ball Bearing

Eccentric Collar Ball Bearing

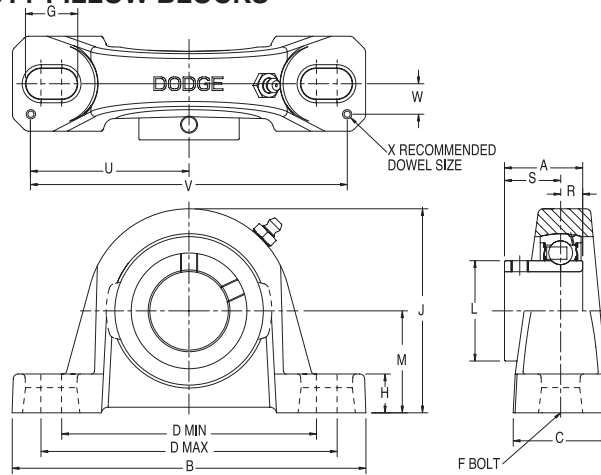
| Series | Shaft Size | Weight lbs. kg. | A | B | C | D | | F Bolt Dia. | G | H | J | L | M | R | S | U | V | W | X |
|--------|------------|-----------------|---------|--------|---------|---------|---------|-------------|--------|-------|---------|---------|-------|-------|--------|---------|---------|-------|------|
| | | | | | | Min. | Max. | | | | | | | | | | | | |
| 207 | 1-1/4 | 4.5 | 1-7/16 | 6-1/2 | 1-47/64 | 4-11/16 | 5-7/16 | 1/2 | 15/16 | 45/64 | 3-3/4 | 1-27/32 | 1-7/8 | 13/32 | 1-1/32 | 2-29/32 | 5-13/16 | 9/16 | 3/16 |
| | 1-3/8 | 4.3 | | | | | | | | | | | | | | | | | |
| | 1-7/16 | 4.2 | | | | | | | | | | | | | | | | | |
| | 35mm | 2.0 | 36.5 | 165.1 | 44.1 | 119.1 | 138.1 | M12 | 23.8 | 17.9 | 95.3 | 46.8 | 47.6 | 10.3 | 26.2 | 73.8 | 147.6 | 14.3 | 4.8 |
| 208 | 1-1/2 | 5.4 | 1-9/16 | 7-1/4 | 1-15/16 | 5-3/16 | 5-7/8 | 1/2 | 29/32 | 15/16 | 4-3/16 | 2-3/64 | 2-1/8 | 15/32 | 1-3/32 | 3-17/64 | 6-17/32 | 11/16 | 3/16 |
| | 40mm | 2.5 | 39.7 | 184.2 | 49.2 | 131.8 | 149.2 | M12 | 23.0 | 23.8 | 106.4 | 52.0 | 54.0 | 11.9 | 27.8 | 82.9 | 165.9 | 17.5 | 4.8 |
| 209 | 1-11/16 | 6.4 | 1-19/32 | 7-7/16 | 2 | 5-1/2 | 6-3/16 | 1/2 | 29/32 | 3/4 | 4-9/32 | 2-7/32 | 2-1/8 | 15/32 | 1-1/8 | 3-3/8 | 6-3/4 | 11/16 | 3/16 |
| | 1-3/4 | 6.2 | | | | | | | | | | | | | | | | | |
| | 45mm | 3.0 | 40.5 | 188.9 | 50.8 | 139.7 | 161.9 | M12 | 23.0 | 19.1 | 108.7 | 56.4 | 54.0 | 11.9 | 28.6 | 85.7 | 171.5 | 17.5 | 4.8 |
| 210 | 1-15/16 | 7.2 | 1-5/8 | 8-1/8 | 2-1/4 | 6 | 6-11/16 | 5/8 | 1-1/16 | 3/4 | 4-17/32 | 2-7/16 | 2-1/4 | 15/32 | 1-5/32 | 3-11/16 | 7-3/8 | 13/16 | 3/16 |
| | 2 | 7.0 | | | | | | | | | | | | | | | | | |
| | 50mm | 3.3 | 41.3 | 206.4 | 57.2 | 152.4 | 169.9 | M16 | 27.0 | 19.1 | 115.1 | 61.9 | 57.2 | 11.9 | 29.4 | 93.7 | 187.3 | 20.6 | 4.8 |
| 211 | 2 | 9.0 | 1-23/32 | 8-7/8 | 2-5/16 | 6-3/8 | 7-7/16 | 5/8 | 1-7/32 | 7/8 | 4-31/32 | 2-23/32 | 2-1/2 | 1/2 | 1-7/32 | 3-15/16 | 7-7/8 | 13/16 | 3/16 |
| | 2-3/16 | 8.9 | | | | | | | | | | | | | | | | | |
| | 55mm | 4.2 | 43.7 | 225.4 | 58.7 | 161.9 | 188.9 | M16 | 31.0 | 22.2 | 126.2 | 69.1 | 63.5 | 12.7 | 31.0 | 100.0 | 200.0 | 20.6 | 4.8 |

| | | | |
|--------------------------------|---------------------------|------------------------|---------------------------------|
| FEATURES/BENEFITS PAGE B3-2 | NOMENCLATURE PAGE B3-4 | SELECTION PAGE B3-5 | RELATED PRODUCTS PAGE B3-133 |
|--------------------------------|---------------------------|------------------------|---------------------------------|

SELECTION/DIMENSIONS



Setscrew Ball Bearings VSCB INTERMEDIATE DUTY PILLOW BLOCKS



Lube Fitting

203 series - 1/4-28 tapered thread
204 series and larger - 1/8-27 NPT

| Series | Shaft Size | Standard | | No-Lube/Sealed for Life (-NL) | |
|--------------|----------------|--------------------|-------------------------------|-------------------------------|------------------------------------|
| | | Part No. | Description | Part No. | Description |
| 203 (VSC) | 1/2 | 125500 | P2B-VSC-008 | @ | P2B-VSC-008-NL |
| | 5/8 | 125501 | P2B-VSC-010 | @ | P2B-VSC-010-NL |
| | 17mm | @ | P2B-VSC-17M | @ | P2B-VSC-17M-NL |
| 204 | 3/4 | 123595 | P2B-VSCB-012 | 050833 | P2B-VSCB-012-NL |
| | 20mm | @ | P2B-VSCB-20M | @ | P2B-VSCB-20M-NL |
| 205 | 7/8 | 125508 | P2B-VSCB-014 | @ | P2B-VSCB-014-NL |
| | 15/16 | 125509 | P2B-VSCB-015 | @ | P2B-VSCB-015-NL |
| | 1 25mm | 123596 @ | P2B-VSCB-100 P2B-VSCB-25M | 050828 @ | P2B-VSCB-100-NL P2B-VSCB-25M-NL |
| 206 | 1-1/8 | 125510 | P2B-VSCB-102 | @ | P2B-VSCB-102-NL |
| | 1-3/16 | 123597 | P2B-VSCB-103 | 050829 | P2B-VSCB-103-NL |
| | 1-1/4 30mm | 123605 @ | P2B-VSCB-104S P2B-VSCB-30M | @ @ | P2B-VSCB-104S-NL 2B-VSCB-30M-NL |
| 207 | 1-1/4 | 123598 | P2B-VSCB-104 | @ | P2B-VSCB-104-NL |
| | 1-3/8 | 125511 | P2B-VSCB-106 | @ | P2B-VSCB-106-NL |
| | 1-7/16 35mm | 123599 @ | P2B-VSCB-107 P2B-VSCB-35M | 050830 @ | P2B-VSCB-107-NL P2B-VSCB-35M-NL |
| 208 | 1-1/2 | 123600 | P2B-VSCB-108 | @ | P2B-VSCB-108-NL |
| | 40mm | 125690 | P2B-VSCB-40M | @ | P2B-VSCB-40M-NL |
| 209 | 1-11/16 | 125512 | P2B-VSCB-111 | 050848 | P2B-VSCB-111-NL |
| | 1-3/4 | 125507 | P2B-VSCB-112 | @ | P2B-VSCB-112-NL |
| | 45mm | @ | P2B-VSCB-45M | 068428 | P2B-VSCB-45M-NL |
| 210 | 1-15/16 | 123601 | P2B-VSCB-115 | @ | P2B-VSCB-115-NL |
| | 2 | 123602 | P2B-VSCB-200 | @ | P2B-VSCB-200-NL |
| | 50mm | @ | P2B-VSCB-50M | @ | P2B-VSCB-50M-NL |
| 211 | 2 | 123607 | P2B-VSCB-200L | @ | P2B-VSCB-200L-NL |
| | 2-3/16 55mm | 123603 @ | P2B-VSCB-203 P2B-VSCB-55M | 050831 @ | P2B-VSCB-203-NL P2B-VSCB-55M-NL |

@ Assembled to order

| | | | |
|--------------------------------|---------------------------|------------------------|---------------------------------|
| FEATURES/BENEFITS PAGE B3-2 | NOMENCLATURE PAGE B3-4 | SELECTION PAGE B3-5 | RELATED PRODUCTS PAGE B3-133 |
|--------------------------------|---------------------------|------------------------|---------------------------------|

SELECTION/DIMENSIONS



Setscrew Ball Bearings VSCB INTERMEDIATE DUTY PILLOW BLOCKS

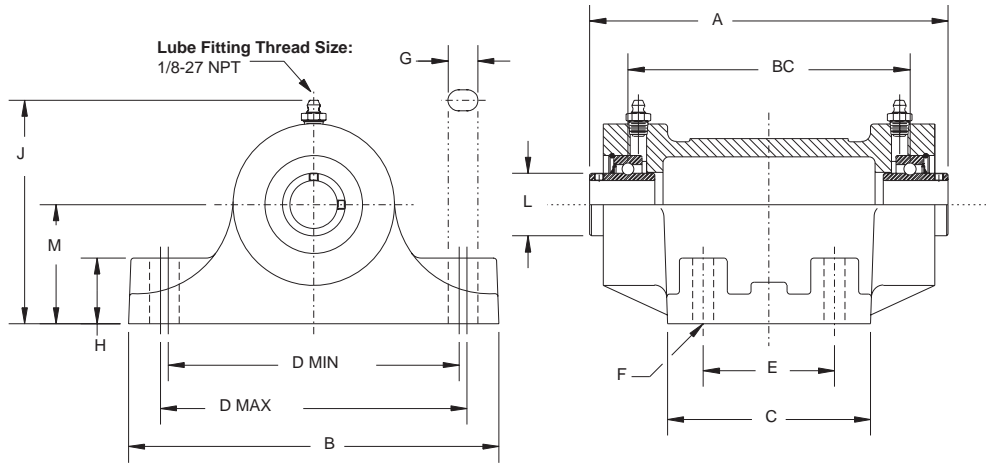
| Series | Shaft Size | Weight lbs. kg. | A | B | C | D | | F Bolt Dia. | G | H | J | L | M | R | S | U | V | W | X |
|-----------|------------|-----------------|---------|--------|---------|---------|---------|-------------|--------|-------|---------|---------|---------|-------|--------|---------|---------|-------|------|
| | | | | | | Min. | Max. | | | | | | | | | | | | |
| 203 (VSC) | 1/2 | 1.1 | 15/16 | 5 | 1-13/64 | 3-1/4 | 4-1/16 | 3/8 | 27/32 | 15/32 | 2-17/64 | 31/32 | 1-1/16 | 19/64 | 41/64 | 2-1/4 | 4-1/2 | 3/8 | 1/8 |
| | 5/8 | 1.0 | | | | | | | | | | | | | | | | | |
| | 17mm | 0.5 | 23.8 | 127.0 | 30.6 | 82.6 | 103.2 | M10 | 21.4 | 11.9 | 54.4 | 24.6 | 27.0 | 7.5 | 16.3 | 57.2 | 114.3 | 9.5 | 3.2 |
| 204 | 3/4 | 1.4 | 1-1/16 | 5-1/4 | 1-21/64 | 3-3/8 | 4-3/16 | 3/8 | 27/32 | 29/64 | 2-1/2 | 1-1/8 | 1-1/4 | 21/64 | 47/64 | 2-1/4 | 4-1/2 | 1/2 | 1/8 |
| | 20mm | 0.6 | 27.0 | 133.4 | 33.7 | 85.7 | 106.4 | M10 | 21.4 | 11.5 | 63.5 | 28.6 | 31.8 | 8.3 | 18.7 | 57.2 | 114.3 | 12.7 | 3.2 |
| 205 | 7/8 | 1.8 | 1-3/32 | 5-1/2 | 1-13/32 | 3-11/16 | 4-1/2 | 3/8 | 27/32 | 29/64 | 2-21/32 | 1-5/16 | 1-5/16 | 21/64 | 49/64 | 2-1/2 | 5 | 1/2 | 3/16 |
| | 15/16 | 1.7 | | | | | | | | | | | | | | | | | |
| | 1 | 1.6 | | | | | | | | | | | | | | | | | |
| | 25mm | 0.8 | 27.8 | 139.7 | 35.7 | 93.7 | 114.3 | M10 | 21.4 | 11.5 | 67.5 | 33.3 | 33.3 | 8.3 | 19.4 | 63.5 | 127.0 | 12.7 | 4.8 |
| 206 | 1-1/8 | 2.7 | 1-19/64 | 6-1/4 | 1-47/64 | 4-1/4 | 5 | 1/2 | 15/16 | 5/8 | 3-3/16 | 1-37/64 | 1-9/16 | 25/64 | 29/32 | 2-7/8 | 5-3/4 | 9/16 | 3/16 |
| | 1-3/16 | 2.6 | | | | | | | | | | | | | | | | | |
| | 1-1/4 | 2.5 | | | | | | | | | | | | | | | | | |
| | 30mm | 1.2 | 32.9 | 158.8 | 44.1 | 108.0 | 127.0 | M12 | 23.8 | 15.9 | 81.0 | 40.1 | 39.87 | 9.9 | 23.0 | 73.0 | 146.1 | 14.3 | 4.8 |
| 207 | 1-1/4 | 4.5 | 1-7/16 | 6-1/2 | 1-47/64 | 4-11/16 | 5-7/16 | 1/2 | 15/16 | 41/64 | 3-11/16 | 1-27/32 | 1-13/16 | 13/32 | 1-1/32 | 2-29/32 | 5-13/16 | 9/16 | 3/16 |
| | 1-3/8 | 4.3 | | | | | | | | | | | | | | | | | |
| | 1-7/16 | 4.2 | | | | | | | | | | | | | | | | | |
| | 35mm | 2.0 | 36.5 | 165.1 | 44.1 | 119.1 | 138.1 | M12 | 23.8 | 16.3 | 93.7 | 46.8 | 46.0 | 10.3 | 26.2 | 73.8 | 147.6 | 14.3 | 4.8 |
| 208 | 1-1/2 | 5.4 | 1-9/16 | 7-1/4 | 1-15/16 | 5-3/16 | 5-7/8 | 1/2 | 29/32 | 3/4 | 4 | 2-3/64 | 1-15/16 | 15/32 | 1-3/32 | 3-17/64 | 6-17/32 | 11/16 | 3/16 |
| | 40mm | 2.5 | 39.7 | 184.2 | 49.2 | 131.8 | 149.2 | M12 | 23.0 | 19.1 | 101.6 | 52.0 | 49.2 | 11.9 | 27.8 | 82.9 | 165.9 | 17.5 | 4.8 |
| 209 | 1-11/16 | 6.4 | 1-19/32 | 7-7/16 | 2 | 5-1/2 | 6-3/16 | 1/2 | 29/32 | 11/16 | 4-7/32 | 2-7/32 | 2-1/16 | 15/32 | 1-1/8 | 3-3/8 | 6-3/4 | 11/16 | 3/16 |
| | 1-3/4 | 6.2 | | | | | | | | | | | | | | | | | |
| | 45mm | 3.0 | 40.5 | 188.9 | 50.8 | 139.7 | 161.9 | M12 | 23.0 | 17.5 | 107.2 | 56.4 | 52.4 | 11.9 | 28.6 | 85.7 | 187.5 | 17.5 | 4.8 |
| 210 | 1-15/16 | 7.2 | 1-5/8 | 8-1/8 | 2-1/4 | 6 | 6-11/16 | 5/8 | 1-1/64 | 11/16 | 4-15/32 | 2-7/16 | 2-3/16 | 15/32 | 1-5/32 | 3-11/16 | 7-3/8 | 13/16 | 3/16 |
| | 2 | 7.0 | | | | | | | | | | | | | | | | | |
| | 50mm | 3.3 | 41.3 | 206.4 | 57.2 | 152.4 | 169.9 | M16 | 25.8 | 17.5 | 113.5 | 61.9 | 55.6 | 11.9 | 29.4 | 93.7 | 187.3 | 20.6 | 4.8 |
| 211 | 2 | 9.0 | 1-23/32 | 8-7/8 | 2-5/16 | 6-3/8 | 7-7/16 | 5/8 | 1-7/32 | 13/16 | 4-29/32 | 2-23/32 | 2-7/16 | 1/2 | 1-7/32 | 3-15/16 | 7-7/8 | 13/16 | 3/16 |
| | 2-3/16 | 8.9 | | | | | | | | | | | | | | | | | |
| | 55mm | 4.2 | 43.7 | 225.4 | 58.7 | 161.9 | 188.9 | M16 | 31.0 | 20.6 | 124.6 | 69.1 | 61.9 | 12.7 | 31.0 | 100.0 | 200.0 | 20.6 | 4.8 |

| | | | |
|--------------------------------|---------------------------|------------------------|---------------------------------|
| FEATURES/BENEFITS PAGE B3-2 | NOMENCLATURE PAGE B3-4 | SELECTION PAGE B3-5 | RELATED PRODUCTS PAGE B3-133 |
|--------------------------------|---------------------------|------------------------|---------------------------------|

SELECTION/DIMENSIONS



Setscrew Ball Bearings CC BALL BEARING FAN AND BLOWER PILLOW BLOCKS



| Series | Shaft Size | Part No. | Description |
|--------|------------|---------------|-------------|
| 205 | 15/16 | 134131 | F&B-CC-015 |
| | 1 | 134132 | F&B-CC-100 |
| 206 | 1-1/8 | 134134 | F&B-CC-102 |
| | 1-3/16 | 134135 | F&B-CC-103 |
| 207 | 1-1/4 | 134136 | F&B-CC-104 |
| | 1-3/8 | 134138 | F&B-CC-106 |
| | 1-7/16 | 134139 | F&B-CC-107 |
| 209 | 1-11/16 | 134140 | F&B-CC-111 |
| | 1-3/4 | 134141 | F&B-CC-112 |
| 210 | 1-15/16 | 134142 | F&B-CC-115 |
| 211 | 2-3/16 | 134144 | F&B-CC-203 |

| | | | |
|--------------------------------|---------------------------|------------------------|---------------------------------|
| FEATURES/BENEFITS PAGE B3-2 | NOMENCLATURE PAGE B3-4 | SELECTION PAGE B3-5 | RELATED PRODUCTS PAGE B3-133 |
|--------------------------------|---------------------------|------------------------|---------------------------------|

SELECTION/DIMENSIONS



Setscrew Ball Bearings CC BALL BEARING FAN AND BLOWER PILLOW BLOCKS

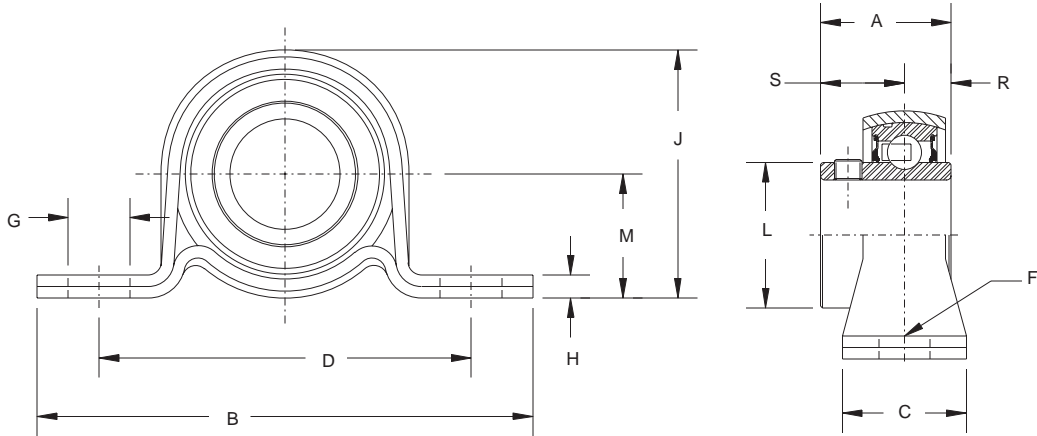
| Series | Shaft Size | Weight lbs. | A | B | C | D | | E | F Bolt Dia. | G | H | J | L | M | Bearing Centers BC |
|--------|--------------------------|----------------------|----------|-------|-------|--------|--------|-------|-------------|-------|--------|--------|---------|-------|--------------------|
| | | | | | | Min. | Max. | | | | | | | | |
| 205 | 15/16 1 | 16.1 16.0 | 7-1/2 | 7-3/4 | 4-1/4 | 6-1/16 | 6-7/16 | 2-3/4 | 3/8 | 5/8 | 1-1/4 | 4-5/8 | 1-5/16 | 2-1/2 | 5-29/32 |
| 206 | 1-1/8 1-3/16 | 16.3 16.2 | 7-25/32 | 7-3/4 | 4-1/4 | 6-1/16 | 6-7/16 | 2-3/4 | 3/8 | 5/8 | 1-1/4 | 4-5/8 | 1-19/32 | 2-1/2 | 5-61/64 |
| 207 | 1-1/4 1-3/8 1-7/16 | 36.6 36.2 36.0 | 10-39/64 | 10 | 5-1/2 | 7-3/4 | 8-1/4 | 3-1/2 | 1/2 | 7/8 | 1-9/16 | 5-9/16 | 1-27/32 | 3 | 8-15/32 |
| 209 | 1-11/16 1-3/4 | 35.0 34.8 | 10-21/32 | 10 | 5-1/2 | 7-3/4 | 8-1/4 | 3-1/2 | 1/2 | 7/8 | 1-9/16 | 5-9/16 | 2-9/32 | 3 | 8-5/16 |
| 210 | 1-15/16 | 60.0 | 13-25/32 | 12 | 7 | 9-1/8 | 9-7/8 | 4-1/2 | 5/8 | 1-1/8 | 1-3/4 | 6-7/16 | 2-15/32 | 3-1/2 | 11-3/8 |
| 211 | 2-3/16 | 56.0 | 14-5/32 | 12 | 7 | 9-1/8 | 9-7/8 | 4-1/2 | 5/8 | 1-1/8 | 1-3/4 | 6-7/16 | 2-3/4 | 3-1/2 | 11-3/8 |

| | | | |
|--------------------------------|---------------------------|------------------------|---------------------------------|
| FEATURES/BENEFITS PAGE B3-2 | NOMENCLATURE PAGE B3-4 | SELECTION PAGE B3-5 | RELATED PRODUCTS PAGE B3-133 |
|--------------------------------|---------------------------|------------------------|---------------------------------|

SELECTION/DIMENSIONS



Setscrew Ball Bearings SL LIGHT DUTY PILLOW BLOCKS



| Series | Shaft Size | Part No. | Description |
|--------|------------|---------------|-------------|
| 203 | 1/2 | 059637 | P2B-SL-008 |
| | 5/8 | 128197 | P2B-SL-010 |
| | 17mm | @ | P2BSL-17M |
| 204 | 3/4 | 128106 | P2B-SL-012 |
| | 20mm | @ | P2B-SL-20M |
| 205 | 7/8 | 128170 | P2B-SL-014 |
| | 15/16 | 128171 | P2B-SL-015 |
| | 1 | 128107 | P2B-SL-100 |
| | 25mm | 068068 | P2B-SL-25M |
| 206 | 1-1/8 | 128172 | P2B-SL-102 |
| | 1-3/16 | 128108 | P2B-SL-103 |
| | 1-1/4 | 128111 | P2B-SL-104S |
| | 30mm | @ | P2B-SL-30M |
| 207 | 1-1/4 | 128109 | P2B-SL-104 |
| | 1-3/8 | 128173 | P2B-SL-106 |
| | 1-7/16 | 128110 | P2B-SL-107 |
| | 35mm | @ | P2B-SL-35M |

@ Assembled to order

| | | | |
|--------------------------------|---------------------------|------------------------|---------------------------------|
| FEATURES/BENEFITS PAGE B3-2 | NOMENCLATURE PAGE B3-4 | SELECTION PAGE B3-5 | RELATED PRODUCTS PAGE B3-133 |
|--------------------------------|---------------------------|------------------------|---------------------------------|

SELECTION/DIMENSIONS



Setscrew Ball Bearings SL LIGHT DUTY PILLOW BLOCKS

Bearing Quick Reference

E-Z KLEEN

GRIP TIGHT Adapter Ball Bearing

Set Screw Ball Bearing

Eccentric Collar Ball Bearing

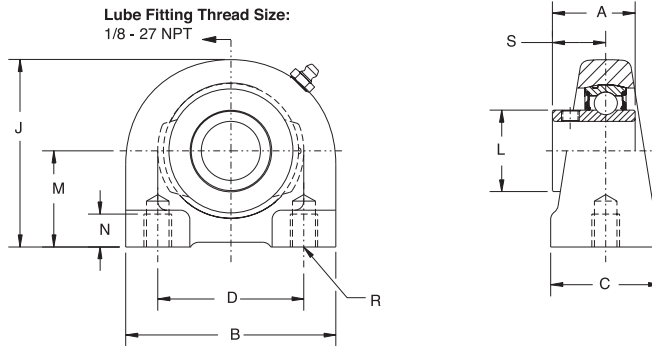
| Series | Shaft Size | Weight lb. / ks. | A | B | C | D | F Bolt Dia | G | H | J | L | M | R | S | Housing Radial Load Rating (lbs) |
|--------|-------------|------------------|---------|-------|-------|---------|------------|-------|-------|---------|---------|--------|-------|--------|----------------------------------|
| 203 | 1/2 | 0.51 | 15/16 | 3-5/8 | 1 | 2-11/16 | 1/4 | 11/32 | 0.133 | 1-11/16 | 31/32 | 27/32 | 19/64 | 41/64 | 250 |
| | 5/8 17mm | 0.49 0.2 | 23.8 | 92.1 | 25.4 | 68.3 | M6 | 8.7 | 3.4 | 42.9 | 24.6 | 21.4 | 7.5 | 16.3 | 1,112 |
| 204 | 3/4 | 0.61 | 1-1/16 | 4-1/8 | 1 | 3 | 3/8 | 1/2 | 0.178 | 2-1/16 | 1-1/8 | 1 | 21/64 | 47/64 | 350 |
| | 20mm | 0.3 | 27.0 | 104.8 | 25.4 | 76.2 | M10 | 12.7 | 4.5 | 52.4 | 28.6 | 25.4 | 8.3 | 18.7 | 1,556 |
| 205 | 7/8 | 0.79 | 1-3/32 | 4-1/2 | 1-1/8 | 3-3/8 | 3/8 | 9/16 | 0.208 | 2-7/32 | 1-21/64 | 1-1/8 | 21/64 | 49/64 | 400 |
| | 15/16 | 0.76 | | | | | | | | | | | | | |
| | 1 25mm | 0.73 0.4 | 27.8 | 114.3 | 28.6 | 85.7 | M10 | 14.3 | 5.3 | 56.4 | 33.7 | 28.6 | 8.3 | 19.4 | 1,779 |
| 206 | 1-1/8 | 1.14 | 1-19/64 | 4-7/8 | 1-1/8 | 3-3/4 | 3/8 | 9/16 | 0.238 | 2-5/8 | 1-37/64 | 1-5/16 | 25/64 | 29/32 | 600 |
| | 1-3/16 | 1.12 | | | | | | | | | | | | | |
| | 1-1/4 | 1.10 | | | | | | | | | | | | | |
| | 30mm | 0.5 | 32.9 | 123.8 | 28.6 | 95.3 | M10 | 14.3 | 6.0 | 66.7 | 40.1 | 33.3 | 9.9 | 23.0 | 2,668 |
| 207 | 1-1/4 | 1.54 | 1-7/16 | 5-3/4 | 1-1/4 | 4-1/4 | 1/2 | 3/4 | 0.238 | 3-1/8 | 1-27/32 | 1-9/16 | 13/32 | 1-1/32 | 800 |
| | 1-3/8 | 1.50 | | | | | | | | | | | | | |
| | 1-7/16 | 1.48 | | | | | | | | | | | | | |
| | 35mm | 0.7 | 36.5 | 146.1 | 31.8 | 108.0 | M12 | 19.1 | 6.0 | 79.4 | 46.8 | 39.7 | 10.3 | 26.2 | 3,557 |

| | | | |
|--------------------------------|---------------------------|------------------------|---------------------------------|
| FEATURES/BENEFITS PAGE B3-2 | NOMENCLATURE PAGE B3-4 | SELECTION PAGE B3-5 | RELATED PRODUCTS PAGE B3-133 |
|--------------------------------|---------------------------|------------------------|---------------------------------|

SELECTION/DIMENSIONS



Setscrew Ball Bearings SC NORMAL DUTY TAPPED BASE PILLOW BLOCKS



| Series | Shaft Size | Part No. | Description |
|--------|------------|---------------|------------------|
| 204 | 1/2 | 124460 | TB-SC-008 |
| | 5/8 | 124461 | TB-SC-010 |
| | 3/4 | 124462 | TB-SC-012 |
| | 20mm | 130354 | <i>TB-SC-20M</i> |
| 205 | 7/8 | 124463 | TB-SC-014 |
| | 15/16 | 124464 | TB-SC-015 |
| | 1 | 124465 | TB-SC-100 |
| | 25mm | 130355 | <i>TB-SC-25M</i> |
| 206 | 1-1/16 | 124466 | TB-SC-101 |
| | 1-1/8 | 124467 | TB-SC-102 |
| | 1-3/16 | 124468 | TB-SC-103 |
| | 1-1/4 | 124469 | TB-SC-104S |
| | 30mm | 130356 | <i>TB-SC-30M</i> |
| 207 | 1-1/4 | 124470 | TB-SC-104 |
| | 1-5/16 | 124471 | TB-SC-105 |
| | 1-3/8 | 124472 | TB-SC-106 |
| | 1-7/16 | 124473 | TB-SC-107 |
| | 35mm | 130357 | <i>TB-SC-35M</i> |
| 208 | 1-1/2 | 124479 | TB-SC-108 |
| | 1-5/8 | 128998 | TB-SC-110 |
| | 40mm | 130358 | <i>TB-SC-40M</i> |
| 209 | 1-5/8 | 049859 | TB-SC-110L |
| | 1-11/16 | 054548 | TB-SC-111 |
| | 1-3/4 | 054781 | TB-SC-112 |
| | 45mm | 130359 | <i>TB-SC-45M</i> |
| 210 | 1-15/16 | 124478 | TB-SC-115 |
| | 2 | 052472 | TB-SC-200 |
| | 50mm | 130360 | <i>TB-SC-50M</i> |
| 211 | 2 | 124480 | TB-SC-200L |
| | 2-3/16 | 050386 | TB-SC-203 |
| | 2-1/4 | 054436 | TB-SC-204 |
| | 55mm | 130361 | <i>TB-SC-55M</i> |

FEATURES/BENEFITS
PAGE B3-2

NOMENCLATURE
PAGE B3-4

SELECTION
PAGE B3-5

RELATED PRODUCTS
PAGE B3-133

SELECTION/DIMENSIONS



Setscrew Ball Bearings SC NORMAL DUTY TAPPED BASE PILLOW BLOCKS

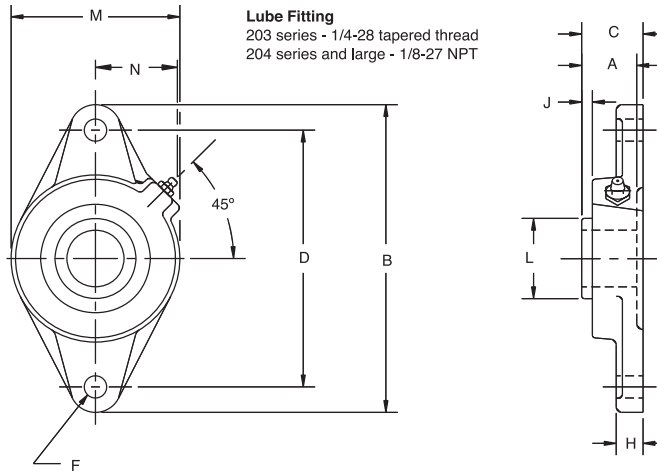
| Series | Shaft Size | Weight lbs. kgs. | A | B | C | D | J | L | M | N | R | S |
|---------|------------|------------------|---------|---------|-------|-------|---------|---------|---------|-------|-----------|----------|
| 204 | 1/2 | 1.56 | 1-5/32 | 2-7/8 | 1-1/2 | 2 | 2-9/16 | 1-1/8 | 1-5/16 | 1/2 | 3/8 - 16 | 47/64 |
| | 5/8 | 1.53 | | | | | | | | | | |
| | 3/4 | 1.50 | | | | | | | | | | |
| | 20mm | 0.06 | 29.4 | 73.0 | 38.1 | 50.8 | 65.1 | 28.6 | 33.3 | 12.7 | M8x1.25 | 18.7 |
| 205 | 7/8 | 1.93 | 1-3/16 | 3 | 1-1/2 | 2.0 | 2-13/16 | 1-21/64 | 1-7/16 | 1/2 | 3/8 - 16 | 49/64 |
| | 15/16 | 1.90 | | | | | | | | | | |
| | 1 | 1.87 | | | | | | | | | | |
| | 25mm | 0.07 | 30.2 | 76.2 | 38.1 | 50.8 | 71.4 | 33.7 | 36.5 | 12.7 | M10x1.5 | 19.4 |
| 206 | 1-1/16 | 2.66 | 1-25/64 | 4 | 1-1/2 | 3.0 | 3-3/8 | 1-37/64 | 1-11/16 | 5/8 | 7/16 - 14 | 29/32 |
| | 1-1/8 | 2.62 | | | | | | | | | | |
| | 1-3/16 | 2.59 | | | | | | | | | | |
| | 30mm | 0.10 | 35.3 | 101.6 | 38.1 | 76.2 | 85.7 | 40.1 | 42.9 | 15.9 | M10x1.5 | 23.0 |
| 207 | 1-1/4 | 3.41 | 1-17/32 | 4-1/4 | 1-7/8 | 3-1/4 | 3-3/4 | 1-27/32 | 1-7/8 | 3/4 | 1/2 - 13 | 1-1/32 |
| | 1-5/16 | 3.36 | | | | | | | | | | |
| | 1-3/8 | 3.34 | | | | | | | | | | |
| | 35mm | 0.13 | 38.9 | 108.0 | 47.6 | 82.6 | 95.3 | 46.8 | 47.6 | 19.1 | M10x1.5 | 26.2 |
| 208 | 1-1/2 | 4.10 | 1-11/16 | 4-5/8 | 1-7/8 | 3-1/2 | 3-15/16 | 2-3/64 | 1-15/16 | 3/4 | 1/2-13 | 1-3/32 |
| | 1-5/8 | 4.00 | | | | | | | | | | |
| | 40mm | 0.16 | 42.9 | 117.5 | 47.6 | 88.9 | 100.0 | 52.0 | 49.2 | 19.1 | M12x1.75 | 27.8 |
| | 209 | 1-5/8 | 5.20 | 1-23/32 | 5 | 2 | 3-3/4 | 4-1/4 | 2-7/32 | 2-1/8 | 3/4 | 1/2-13 |
| 1-11/16 | | 5.00 | | | | | | | | | | |
| 1-3/4 | | 4.90 | | | | | | | | | | |
| 45mm | | 0.20 | 43.7 | 127.0 | 50.8 | 95.3 | 108.0 | 56.4 | 54.0 | 19.1 | M12x1.75 | 28.6 |
| 210 | 1-15/16 | 5.40 | 1-3/4 | 5-1/2 | 2 | 4 | 4-5/8 | 2-7/16 | 2-1/4 | 7/8 | 5/8-11 | 1-5/32 |
| | 2 | 5.20 | | | | | | | | | | |
| | 50mm | 0.21 | 44.5 | 139.7 | 50.8 | 101.6 | 117.5 | 61.9 | 57.2 | 22.2 | M16x2 | 29.4 |
| | 211 | 2 | 6.70 | 1-27/32 | 5-1/2 | 2 | 4 | 4-5/8 | 2-23/32 | 2-1/4 | 7/8 | 5/8 - 11 |
| 2-3/16 | | 6.50 | | | | | | | | | | |
| 2-1/4 | | 6.30 | | | | | | | | | | |
| 55mm | | 0.25 | 46.8 | 139.7 | 50.8 | 101.6 | 117.5 | 69.1 | 57.2 | 22.2 | M16x2 | 31.0 |

| | | | |
|--------------------------------|---------------------------|------------------------|---------------------------------|
| FEATURES/BENEFITS PAGE B3-2 | NOMENCLATURE PAGE B3-4 | SELECTION PAGE B3-5 | RELATED PRODUCTS PAGE B3-133 |
|--------------------------------|---------------------------|------------------------|---------------------------------|

SELECTION/DIMENSIONS



Setscrew Ball Bearings SC NORMAL DUTY 2-BOLT FLANGE BEARINGS



| Series | Shaft Size | Standard | | No-Lube/Sealed for Life (-NL) | | With Flingers | |
|--------|---------------|---------------|---------------|-------------------------------|----------------|---------------|----------------|
| | | Part No. | Description | Part No. | Description | Part No. | Description |
| 203 | 1/2 | 124198 | F2B-SC-008 | @ | F2B-SC-008-NL | @ | F2B-SC-008-FF |
| | 5/8 | 124199 | F2B-SC-010 | 124256 | F2B-SC-010-NL | @ | F2B-SC-010-FF |
| | 17mm | 125875 | F2B-SC-17M | @ | F2B-SC-17M-NL | @ | F2B-SC-17M-FF |
| 204 | 1/2 | 124166 | F2B-SC-008L | 052220 | F2B-SC-008L-NL | @ | F2B-SC-008L-FF |
| | 5/8 | 124167 | F2B-SC-010L | 124176 | F2B-SC-010L-NL | @ | F2B-SC-010L-FF |
| | 3/4 | 124170 | F2B-SC-012 | 124175 | F2B-SC-012-NL | 057279 | F2B-SC-012-FF |
| | 20mm | 125876 | F2B-SC-20M | 050119 | F2B-SC-20M-NL | @ | F2B-SC-20M-FF |
| 205 | 7/8 | 124171 | F2B-SC-014 | 126516 | F2B-SC-014-NL | 052542 | F2B-SC-014-FF |
| | 15/16 | 124172 | F2B-SC-015 | @ | F2B-SC-015-NL | 054731 | F2B-SC-015-FF |
| | 1 | 124173 | F2B-SC-100 | 124174 | F2B-SC-100-NL | 124391 | F2B-SC-100-FF |
| | 25mm | 125877 | F2B-SC-25M | 124785 | F2B-SC-25M-NL | 068465 | F2B-SC-25M-FF |
| 206 | 1-1/16 | 124410 | F2B-SC-101 | @ | F2B-SC-101-NL | @ | F2B-SC-101-FF |
| | 1-1/8 | 124274 | F2B-SC-102 | 065766 | F2B-SC-102-NL | 050554 | F2B-SC-102-FF |
| | 1-3/16 | 124275 | F2B-SC-103 | 124614 | F2B-SC-103-NL | @ | F2B-SC-103-FF |
| | 1-1/4 | 123172 | F2B-SC-104S | @ | F2B-SC-104S-NL | 051968 | F2B-SC-104S-FF |
| 30mm | 125878 | F2B-SC-30M | 126102 | F2B-SC-30M-NL | @ | F2B-SC-30M-FF | |
| 207 | 1-1/4 | 124276 | F2B-SC-104 | 126518 | F2B-SC-104-NL | 052664 | F2B-SC-104-FF |
| | 1-5/16 | 124411 | F2B-SC-105 | @ | F2B-SC-105-NL | @ | F2B-SC-105-FF |
| | 1-3/8 | 124277 | F2B-SC-106 | 126519 | F2B-SC-106-NL | 067807 | F2B-SC-106-FF |
| | 1-7/16 | 124278 | F2B-SC-107 | 124618 | F2B-SC-107-NL | 124456 | F2B-SC-107-FF |
| | 35mm | 125879 | F2B-SC-35M | 067663 | F2B-SC-35M-NL | @ | F2B-SC-35M-FF |

@Assembled to order

| | | | |
|--------------------------------|---------------------------|------------------------|---------------------------------|
| FEATURES/BENEFITS PAGE B3-2 | NOMENCLATURE PAGE B3-4 | SELECTION PAGE B3-5 | RELATED PRODUCTS PAGE B3-133 |
|--------------------------------|---------------------------|------------------------|---------------------------------|

SELECTION/DIMENSIONS



Setscrew Ball Bearings SC NORMAL DUTY 2-BOLT FLANGE BEARINGS

| Series | Shaft Size | Weight lbs. kgs. | A | B | C | D | F Bolt Dia. | H | J | L | M | N |
|--------|------------|------------------|---------|---------|---------|---------|-------------|------|-------|---------|-------|---------|
| 203 | 1/2 | 0.8 | 1 | 3-7/8 | 1-3/16 | 3 | 3/8 | 3/8 | 11/32 | 31/32 | 2-1/8 | 1-1/8 |
| | 5/8 | 0.7 | | | | | | | | | | |
| | 17mm | 0.3 | 25.4 | 98.4 | 30.2 | 76.2 | M10 | 9.5 | 8.7 | 24.6 | 54.0 | 28.6 |
| 204 | 1/2 | 1.6 | 1-5/32 | 4-13/32 | 1-3/8 | 3-17/32 | 3/8 | 1/2 | 25/64 | 1-1/8 | 2-3/8 | 1-1/2 |
| | 5/8 | 1.5 | | | | | | | | | | |
| | 3/4 | 1.4 | | | | | | | | | | |
| | 20mm | 0.5 | 29.4 | 111.9 | 34.6 | 89.7 | M10 | 12.7 | 9.6 | 28.6 | 60.3 | 38.1 |
| 205 | 7/8 | 1.6 | 1-3/16 | 4-7/8 | 1-11/32 | 3-57/64 | 7/16 | 1/2 | 25/64 | 1-21/64 | 2-3/4 | 1-7/16 |
| | 15/16 | 1.5 | | | | | | | | | | |
| | 1 | 1.4 | | | | | | | | | | |
| 206 | 25mm | 0.6 | 30.2 | 123.8 | 34.1 | 98.8 | M10 | 12.7 | 9.9 | 33.7 | 69.9 | 36.5 |
| | 1-1/16 | 2.3 | 1-25/64 | 5-9/16 | 1-17/32 | 4-19/32 | 7/16 | 1/2 | 15/32 | 1-37/64 | 3-1/8 | 1-9/16 |
| | 1-1/8 | 2.2 | | | | | | | | | | |
| | 1-3/16 | 2.1 | | | | | | | | | | |
| | 1-1/4 | 2.0 | | | | | | | | | | |
| 30mm | 1.0 | 35.3 | 141.3 | 38.8 | 116.7 | M12 | 12.7 | 11.6 | 40.1 | 79.4 | 39.7 | |
| 207 | 1-1/4 | 3.5 | 1-17/32 | 6-1/8 | 1-3/4 | 5-1/8 | 1/2 | 9/16 | 17/32 | 1-27/32 | 3-3/4 | 1-27/32 |
| | 1-5/16 | 3.4 | | | | | | | | | | |
| | 1-3/8 | 3.2 | | | | | | | | | | |
| | 1-7/16 | 3.1 | | | | | | | | | | |
| | 35mm | 1.5 | 38.9 | 155.6 | 44.5 | 130.2 | M12 | 14.3 | 13.4 | 46.8 | 95.3 | 46.8 |

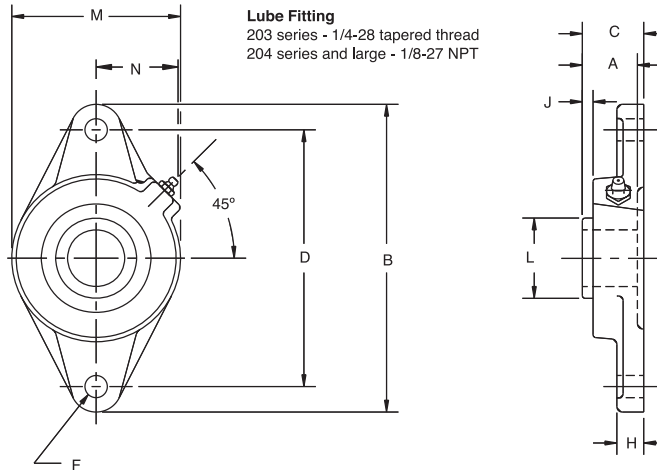
| | | | |
|--------------------------------|---------------------------|------------------------|---------------------------------|
| FEATURES/BENEFITS PAGE B3-2 | NOMENCLATURE PAGE B3-4 | SELECTION PAGE B3-5 | RELATED PRODUCTS PAGE B3-133 |
|--------------------------------|---------------------------|------------------------|---------------------------------|

SELECTION/DIMENSIONS

DODGE®



Setscrew Ball Bearings SC NORMAL DUTY 2-BOLT FLANGE BEARINGS



| Series | Shaft Size | Standard | | No-Lube/Sealed for Life (-NL) | | With Flingers | |
|--------|------------|---------------|-------------------|-------------------------------|----------------------|---------------|----------------------|
| | | Part No. | Description | Part No. | Description | Part No. | Description |
| 208 | 1-1/2 | 124268 | F2B-SC-108 | 052011 | F2B-SC-108-NL | 124457 | F2B-SC-108-FF |
| | 1-5/8 | 124412 | F2B-SC-110 | @ | F2B-SC-110-NL | @ | F2B-SC-110-FF |
| | 40mm | 125880 | <i>F2B-SC-40M</i> | 126042 | <i>F2B-SC-40M-NL</i> | @ | <i>F2B-SC-40M-FF</i> |
| 209 | 1-5/8 | 125171 | F2B-SC-110L | @ | F2B-SC-110L-NL | @ | F2B-SC-110L-FF |
| | 1-11/16 | 124279 | F2B-SC-111 | 067666 | F2B-SC-111-NL | 057849 | F2B-SC-111-FF |
| | 1-3/4 | 124413 | F2B-SC-112 | 126521 | F2B-SC-112-NL | 124455 | F2B-SC-112-FF |
| | 1-13/16 | 124280 | F2B-SC-113 | 067019 | F2B-SC-113-NL | @ | F2B-SC-113-FF |
| | 45mm | 125881 | <i>F3B-SC-45M</i> | @ | <i>F2B-SC-45M-NL</i> | @ | <i>F2B-SC-45M-FF</i> |
| 210 | 1-15/16 | 124269 | F2B-SC-115 | 126522 | F2B-SC-115-NL | @ | F2B-SC-115-FF |
| | 2 | 124270 | F2B-SC-200 | 126523 | F2B-SC-200-NL | 124542 | F2B-SC-200-FF |
| | 50mm | 125882 | <i>F2B-SC-50M</i> | @ | <i>F2B-SC-50M-NL</i> | @ | <i>F2B-SC-50M-FF</i> |
| 211 | 2 | 126293 | F2B-SCM-200 | 065595 | F2B-SCM-200-NL | 058986 | F2B-SCM-200-FF |
| | 2-3/16 | 124034 | F2B-SC-203 | 067959 | F2B-SC-203-NL | @ | F2B-SC-203-FF |
| | 2-1/4 | 124373 | F2B-SC-204 | @ | F2B-SC-204-NL | @ | F2B-SC-204-FF |
| | 55mm | 124942 | <i>F2B-SC-55M</i> | @ | <i>F2B-SC-55M-NL</i> | @ | <i>F2B-SC-55M-FF</i> |
| 212 | 2-1/4 | @ | F2B-SCM-204 | @ | F2B-SCM-204-NL | @ | F2B-SCM-204-FF |
| | 2-7/16 | 053175 | F2B-SC-207 | 049437 | F2B-SC-207-NL | @ | F2B-SC-207-FF |
| | 60mm | 053883 | <i>F2B-SC-60M</i> | @ | <i>F2B-SC-60M-NL</i> | @ | <i>F2B-SC-60M-FF</i> |

@Assembled to order

FEATURES/BENEFITS
PAGE B3-2

NOMENCLATURE
PAGE B3-4

SELECTION
PAGE B3-5

RELATED PRODUCTS
PAGE B3-133

SELECTION/DIMENSIONS



Setscrew Ball Bearings SC NORMAL DUTY 2-BOLT FLANGE BEARINGS

Bearing Quick Reference

E-Z KLEEN

GRIP TIGHT Adapter Ball Bearing

Set Screw Ball Bearing

Eccentric Collar Ball Bearing

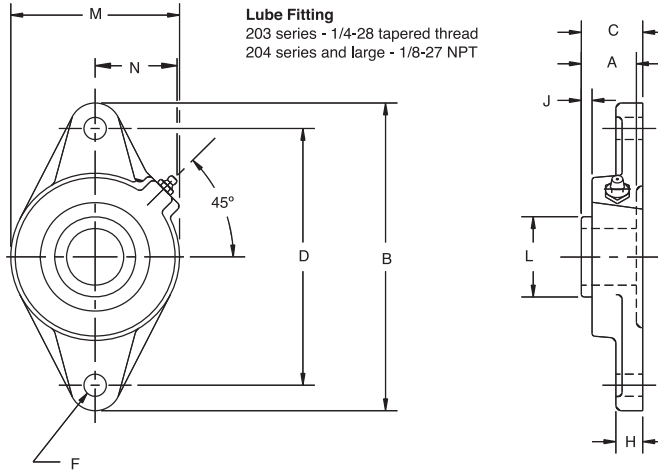
| Series | Shaft Size | Weight lbs. kgs. | A | B | C | D | F Bolt Dia. | H | J | L | M | N |
|--------|-----------------|------------------|---------|---------|---------|---------|-------------|-------|-------|---------|--------|---------|
| 208 | 1-1/2 | 4.1 | 1-11/16 | 6-3/4 | 1-7/8 | 5-21/32 | 1/2 | 9/16 | 17/32 | 2-3/64 | 4-1/8 | 1-53/64 |
| | 1-5/8 40mm | 4.0 1.8 | 42.9 | 171.5 | 47.5 | 143.7 | M12 | 14.3 | 13.4 | 52.0 | 104.8 | 46.4 |
| 209 | 1-5/8 | 5.2 | 1-23/32 | 7-1/16 | 1-15/16 | 5-27/32 | 1/2 | 5/8 | 17/32 | 2-7/32 | 4-3/8 | 1-29/32 |
| | 1-11/16 | 5.0 | | | | | | | | | | |
| | 1-3/4 | 4.9 | | | | | | | | | | |
| | 1-13/16 45mm | 4.7 2.2 | 43.7 | 179.4 | 49.2 | 148.4 | M14 | 15.9 | 13.4 | 56.4 | 111.1 | 48.4 |
| 210 | 1-15/16 | 5.4 | 1-3/4 | 7-7/16 | 2 | 6-3/16 | 1/2 | 5/8 | 17/32 | 2-7/16 | 4-9/16 | 2-1/32 |
| | 2 | 5.2 | | | | | | | | | | |
| | 50mm | 2.5 | 44.5 | 188.9 | 50.7 | 157.2 | M16 | 15.9 | 13.4 | 61.9 | 115.9 | 51.6 |
| 211 | 2 | 6.7 | 1-27/32 | 8-5/8 | 2-5/32 | 7-1/4 | 5/8 | 11/16 | 9/16 | 2-23/32 | 5-1/4 | 2-17/64 |
| | 2-3/16 | 6.5 | | | | | | | | | | |
| | 2-1/4 | 6.3 | | | | | | | | | | |
| | 55mm | 3.0 | 46.8 | 219.1 | 54.8 | 184.2 | M16 | 17.5 | 14.3 | 69.1 | 133.4 | 57.5 |
| 212 | 2-1/4 | 7.4 | 1-63/64 | 9-13/16 | 2-9/32 | 7-61/64 | 7/8 | 13/16 | 9/16 | 2-31/32 | 5-1/2 | 2-15/32 |
| | 2-7/16 | 7.0 | | | | | | | | | | |
| | 60mm | 3.4 | 50.4 | 249.2 | 57.9 | 202.0 | M22 | 20.6 | 14.3 | 75.4 | 139.7 | 62.7 |

| | | | |
|--------------------------------|---------------------------|------------------------|---------------------------------|
| FEATURES/BENEFITS PAGE B3-2 | NOMENCLATURE PAGE B3-4 | SELECTION PAGE B3-5 | RELATED PRODUCTS PAGE B3-133 |
|--------------------------------|---------------------------|------------------------|---------------------------------|

SELECTION/DIMENSIONS



Setscrew Ball Bearings SCAH NORMAL DUTY AIR HANDLING 2-BOLT FLANGE BEARINGS



| Series | Shaft Size | Part No. | Description |
|--------|------------|---------------|---------------|
| 203 | 1/2 | @ | F2B-SCAH-008 |
| | 5/8 | 049742 | F2B-SCAH-010 |
| | 17mm | 056902 | F2B-SCAH-17M |
| 204 | 1/2 | @ | F2B-SCAH-008L |
| | 5/8 | @ | F2B-SCAH-010L |
| | 3/4 | 123730 | F2B-SCAH-012 |
| | 20mm | @ | F2B-SCAH-20M |
| 205 | 7/8 | @ | F2B-SCAH-014 |
| | 15/16 | 124244 | F2B-SCAH-015 |
| | 1 | 123731 | F2B-SCAH-100 |
| | 25mm | @ | F2B-SCAH-25M |
| 206 | 1-1/16 | @ | F2B-SCAH-101 |
| | 1-1/8 | @ | F2B-SCAH-102 |
| | 1-3/16 | 123732 | F2B-SCAH-103 |
| | 1-1/4 | 123184 | F2B-SCAH-104S |
| | 30mm | @ | F2B-SCAH-30M |
| 207 | 1-1/4 | 123733 | F2B-SCAH-104 |
| | 1-5/16 | @ | F2B-SCAH-105 |
| | 1-3/8 | @ | F2B-SCAH-106 |
| | 1-7/16 | 123734 | F2B-SCAH-107 |
| | 35mm | @ | F2B-SCAH-35M |

@ Assembled to order

| | | | |
|--------------------------------|---------------------------|------------------------|---------------------------------|
| FEATURES/BENEFITS PAGE B3-2 | NOMENCLATURE PAGE B3-4 | SELECTION PAGE B3-5 | RELATED PRODUCTS PAGE B3-133 |
|--------------------------------|---------------------------|------------------------|---------------------------------|

SELECTION/DIMENSIONS



Setscrew Ball Bearings SCAH NORMAL DUTY AIR HANDLING 2-BOLT FLANGE BEARINGS

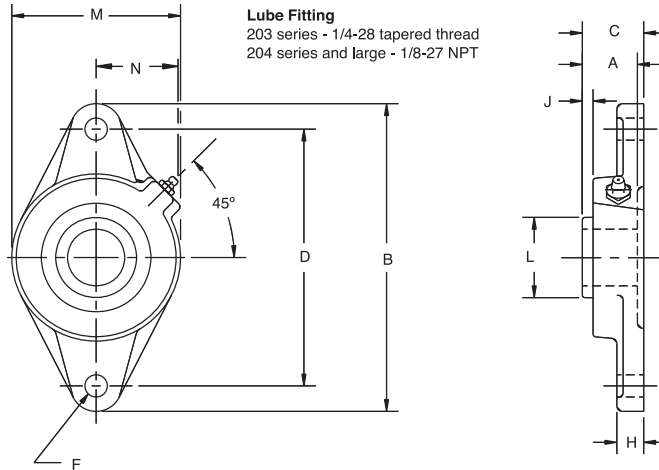
| Series | Shaft Size | Weight lbs. / kgs | A | B | C | D | F Bolt Dia. | H | J | L | M | N |
|--------|------------|-------------------|---------|---------|---------|---------|-------------|------|-------|---------|-------|---------|
| 203 | 1/2 | 0.8 | 1 | 3-7/8 | 1-3/16 | 3 | 3/8 | 3/8 | 11/32 | 31/32 | 2-1/8 | 1-1/8 |
| | 5/8 | 0.7 | | | | | | | | | | |
| | 17mm | 0.3 | 25.4 | 98.4 | 30.2 | 76.2 | M10 | 9.5 | 8.7 | 24.6 | 54.0 | 28.6 |
| 204 | 1/2 | 1.6 | 1-5/32 | 4-13/32 | 1-3/8 | 3-17/32 | 3/8 | 1/2 | 25/64 | 1-1/8 | 2-3/8 | 1-1/2 |
| | 5/8 | 1.5 | | | | | | | | | | |
| | 3/4 | 1.4 | | | | | | | | | | |
| | 20mm | 0.5 | 29.4 | 111.9 | 34.6 | 89.7 | M10 | 12.7 | 9.6 | 28.6 | 60.3 | 38.1 |
| 205 | 7/8 | 1.6 | 1-3/16 | 4-7/8 | 1-11/32 | 3-57/64 | 7/16 | 1/2 | 25/64 | 1-21/64 | 2-3/4 | 1-7/16 |
| | 15/16 | 1.5 | | | | | | | | | | |
| | 1 | 1.4 | | | | | | | | | | |
| 206 | 25mm | 0.6 | 30.2 | 123.8 | 34.1 | 98.8 | M10 | 12.7 | 9.9 | 33.7 | 69.9 | 36.5 |
| | 1-1/16 | 2.3 | 1-25/64 | 5-9/16 | 1-17/32 | 4-19/32 | 7/16 | 1/2 | 15/32 | 1-37/64 | 3-1/8 | 1-9/16 |
| | 1-1/8 | 2.2 | | | | | | | | | | |
| | 1-3/16 | 2.1 | | | | | | | | | | |
| | 1-1/4 | 2.0 | | | | | | | | | | |
| 30mm | 1.0 | 35.3 | 141.3 | 38.8 | 116.7 | M12 | 12.7 | 11.6 | 40.1 | 79.4 | 39.7 | |
| 207 | 1-1/4 | 3.5 | 1-17/32 | 6-1/8 | 1-3/4 | 5-1/8 | 1/2 | 9/16 | 17/32 | 1-27/32 | 3-3/4 | 1-27/32 |
| | 1-5/16 | 3.4 | | | | | | | | | | |
| | 1-3/8 | 3.2 | | | | | | | | | | |
| | 1-7/16 | 3.1 | | | | | | | | | | |
| | 35mm | 1.5 | 38.9 | 155.6 | 44.5 | 130.2 | M12 | 14.3 | 13.4 | 46.8 | 95.3 | 46.8 |

| | | | |
|--------------------------------|---------------------------|------------------------|---------------------------------|
| FEATURES/BENEFITS PAGE B3-2 | NOMENCLATURE PAGE B3-4 | SELECTION PAGE B3-5 | RELATED PRODUCTS PAGE B3-133 |
|--------------------------------|---------------------------|------------------------|---------------------------------|

SELECTION/DIMENSIONS



Setscrew Ball Bearings SCAH NORMAL DUTY AIR HANDLING 2-BOLT FLANGE BEARINGS



| Series | Shaft Size | Part No. | Description |
|--------|------------|---------------|---------------|
| 208 | 1-1/2 | 123735 | F2B-SCAH-108 |
| | 1-5/8 | @ | F2B-SCAH-110 |
| | 40mm | @ | F2B-SCAH-40M |
| 209 | 1-5/8 | @ | F2B-SCAH-110L |
| | 1-11/16 | 123736 | F2B-SCAH-111 |
| | 1-3/4 | 123737 | F2B-SCAH-112 |
| | 45mm | @ | F2B-SCAH-45M |
| 210 | 1-15/16 | 123738 | F2B-SCAH-115 |
| | 2 | @ | F2B-SCAH-200 |
| | 50mm | @ | F2B-SCAH-50M |
| 211 | 2 | @ | F2B-SCMAH-200 |
| | 2/3/16 | 124794 | F2B-SCAH-203 |
| | 2-1/4 | @ | F2B-SCAH-204 |
| | 55mm | @ | F2B-SCAH-55M |
| 212 | 2-1/4 | @ | F2B-SCMAH-204 |
| | 2-7/16 | 057707 | F2B-SCAH-207 |
| | 60mm | @ | F2B-SCAH-60M |

@ Assembled to order

| | | | |
|--------------------------------|---------------------------|------------------------|---------------------------------|
| FEATURES/BENEFITS PAGE B3-2 | NOMENCLATURE PAGE B3-4 | SELECTION PAGE B3-5 | RELATED PRODUCTS PAGE B3-133 |
|--------------------------------|---------------------------|------------------------|---------------------------------|

SELECTION/DIMENSIONS



Setscrew Ball Bearings SCAH NORMAL DUTY AIR HANDLING 2-BOLT FLANGE BEARINGS

Bearing Quick Reference

E-Z KLEEN

GRIP TIGHT Adapter Ball Bearing

Set Screw Ball Bearing

Eccentric Collar Ball Bearing

| Series | Shaft Size | Weight lbs. kgs | A | B | C | D | F Bolt Dia. | H | J | L | M | N |
|--------|---------------|-----------------|---------|---------|---------|---------|-------------|-------|-------|---------|--------|---------|
| 208 | 1-1/2 | 4.1 | 1-11/16 | 6-3/4 | 1-7/8 | 5-21/32 | 1/2 | 9/16 | 17/32 | 2-3/64 | 4-1/8 | 1-53/64 |
| | 1-5/8 40mm | 4.0 1.8 | 42.9 | 171.5 | 47.5 | 143.7 | M12 | 14.3 | 13.4 | 52.0 | 104.8 | 46.4 |
| 209 | 1-5/8 | 5.2 | 1-23/32 | 7-1/16 | 1-15/16 | 5-27/32 | 1/2 | 5/8 | 17/32 | 2-7/32 | 4-3/8 | 1-29/32 |
| | 1-11/16 | 5.0 | | | | | | | | | | |
| | 1-3/4 45mm | 4.9 2.2 | 43.7 | 179.4 | 49.2 | 148.4 | M14 | 15.9 | 13.4 | 56.4 | 111.1 | 48.4 |
| 210 | 1-15/16 | 5.4 | 1-3/4 | 7-7/16 | 2 | 6-3/16 | 1/2 | 5/8 | 17/32 | 2-7/16 | 4-9/16 | 2-1/32 |
| | 2 | 5.2 | | | | | | | | | | |
| | 50mm | 2.5 | 44.5 | 188.9 | 50.7 | 157.2 | M16 | 15.9 | 13.4 | 61.9 | 115.9 | 51.6 |
| 211 | 2 | 6.7 | 1-27/32 | 8-5/8 | 2-5/32 | 7-1/4 | 5/8 | 11/16 | 9/16 | 2-23/32 | 5-1/4 | 2-17/64 |
| | 2 3/16 | 6.4 | | | | | | | | | | |
| | 2-1/4 55mm | 6.3 3.0 | 46.8 | 219.1 | 54.8 | 184.2 | M16 | 17.5 | 14.3 | 69.1 | 133.4 | 57.5 |
| 212 | 2-1/4 | 7.4 | 1-63/64 | 9-13/16 | 2-9/32 | 7-61/64 | 7/8 | 13/16 | 9/16 | 2-31/32 | 5-1/2 | 2-15/32 |
| | 2-7/16 | 7.0 | | | | | | | | | | |
| | 60mm | 3.4 | 50.4 | 249.2 | 57.9 | 202.0 | M22 | 20.6 | 14.3 | 75.4 | 139.7 | 62.7 |

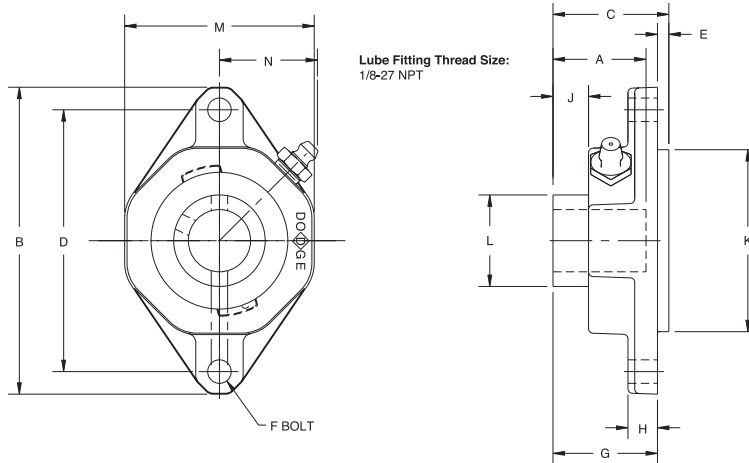
| | | | |
|--------------------------------|---------------------------|------------------------|---------------------------------|
| FEATURES/BENEFITS PAGE B3-2 | NOMENCLATURE PAGE B3-4 | SELECTION PAGE B3-5 | RELATED PRODUCTS PAGE B3-133 |
|--------------------------------|---------------------------|------------------------|---------------------------------|

SELECTION/DIMENSIONS

DODGE®



Setscrew Ball Bearings SC NORMAL DUTY 2-BOLT PILOTED FLANGE BEARINGS



| Series | Shaft Size | Part No. | Description |
|--------|------------|---------------|--------------|
| 204 | 1/2 | @ | F2BZ-SC-008 |
| | 5/8 | 064775 | F2BZ-SC-010 |
| | 3/4 | 062648 | F2BZ-SC-012 |
| | 20mm | 130367 | F2BZ-SC-20M |
| 205 | 7/8 | @ | F2BZ-SC-014 |
| | 15/16 | @ | F2BZ-SC-015 |
| | 1 | 056929 | F2BZ-SC-100 |
| | 25mm | 130368 | F2BZ-SC-25M |
| 206 | 1-1/8 | 049926 | F2BZ-SC-102 |
| | 1-3/16 | 064480 | F2BZ-SC-103 |
| | 1-1/4 | @ | F2BZ-SC-104S |
| | 30mm | 130369 | F2BZ-SC-30M |
| 207 | 1-1/4 | 064089 | F2BZ-SC-104 |
| | 1-3/8 | @ | F2BZ-SC-106 |
| | 1-7/16 | @ | F2BZ-SC-107 |
| | 35mm | 130370 | F2BZ-SC-35M |
| 208 | 1-1/2 | 062686 | F2BZ-SC-108 |
| | 1-5/8 | @ | F2BZ-SC-110 |
| | 40mm | 130371 | F2BZ-SC-40M |
| 209 | 1-5/8 | @ | F2BZ-SC-110L |
| | 1-11/16 | 068839 | F2BZ-SC-111 |
| | 1-3/4 | @ | F2BZ-SC-112 |
| | 45mm | 130372 | F2BZ-SC-45M |
| 210 | 1-15/16 | 056845 | F2BZ-SC-115 |
| | 2 | @ | F2BZ-SC-200 |
| | 50mm | 130373 | F2BZ-SC-50M |

@ Assembled to order

FEATURES/BENEFITS
PAGE B3-2

NOMENCLATURE
PAGE B3-4

SELECTION
PAGE B3-5

RELATED PRODUCTS
PAGE B3-133

SELECTION/DIMENSIONS



Setscrew Ball Bearings SC NORMAL DUTY 2-BOLT PILOTED FLANGE BEARINGS

| Series | Shaft Size | Weight lbs kg | A | B | C | D | E | F Bolt Dia | G | H | J | K | L | M | N |
|--------|------------|------------------|---------|---------|---------|---------|-------|------------|---------|-------|-------|--------|---------|--------|---------|
| 204 | 1/2 | 1.2 | 1-5/32 | 4-27/64 | 1-31/64 | 3-17/32 | 0.138 | 3/8 | 1-11/32 | 29/64 | 21/64 | 2.1654 | 1-1/8 | 2-3/8 | 1-3/8 |
| | 5/8 | 1.2 | | | | | | | | | | | | | |
| | 3/4 | 1.1 | | | | | | | | | | | | | |
| | 20mm | 0.3 | 29.4 | 112.3 | 37.6 | 89.7 | 3.5 | M10 | 34.1 | 11.5 | 8.3 | 55 | 28.6 | 60.3 | 34.9 |
| 205 | 7/8 | 1.4 | 1-3/16 | 4-7/8 | 1-33/64 | 3-57/64 | 0.138 | 7/16 | 1-1/4 | 29/64 | 23/64 | 2.3622 | 1-21/64 | 2-3/4 | 1-9/16 |
| | 15/16 | 1.4 | | | | | | | | | | | | | |
| | 1 | 1.4 | | | | | | | | | | | | | |
| | 25mm | 0.6 | 30.2 | 123.8 | 38.3 | 98.8 | 3.5 | M10 | 34.8 | 11.5 | 9.1 | 60 | 33.7 | 69.9 | 39.7 |
| 206 | 1-1/8 | 1.8 | 1-25/64 | 5-9/16 | 1-49/64 | 4-19/32 | 0.118 | 7/16 | 1-21/32 | 1/2 | 25/64 | 3.1496 | 1-37/64 | 3-1/4 | 1-3/4 |
| | 1-3/16 | 1.8 | | | | | | | | | | | | | |
| | 1-1/4 | 1.8 | | | | | | | | | | | | | |
| | 30mm | 0.8 | 35.3 | 141.3 | 44.8 | 116.7 | 3.0 | M10 | 41.8 | 12.7 | 9.9 | 80 | 40.1 | 82.6 | 44.5 |
| 207 | 1-1/4 | 2.7 | 1-17/32 | 6-1/8 | 1-55/64 | 5-1/8 | 0.158 | 1/2 | 1-45/64 | 31/64 | 17/32 | 3.5433 | 1-27/32 | 3-3/4 | 1-57/64 |
| | 1-3/8 | 2.6 | | | | | | | | | | | | | |
| | 1-7/16 | 2.6 | | | | | | | | | | | | | |
| | 35mm | 1.2 | 38.9 | 155.6 | 47.2 | 130.2 | 4.0 | M12 | 43.2 | 12.3 | 13.5 | 90 | 46.8 | 95.3 | 48.0 |
| 208 | 1-1/2 | 3.9 | 1-11/16 | 6-3/4 | 2-3/64 | 5-21/32 | 0.158 | 1/2 | 1-57/64 | 1/2 | 1/2 | 3.9370 | 2-3/64 | 4-1/8 | 1-7/8 |
| | 1-5/8 | 3.8 | | | | | | | | | | | | | |
| | 40mm | 1.7 | 42.9 | 171.5 | 51.8 | 143.7 | 4.0 | M12 | 48.0 | 12.7 | 12.7 | 100 | 52.0 | 104.8 | 47.6 |
| | 1-5/8 | 4.2 | 1-23/32 | 7-1/16 | 2-5/64 | 5-27/32 | 0.158 | 9/16 | 1-59/64 | 31/64 | 17/32 | 4.1339 | 2-7/32 | 4-3/8 | 1-31/32 |
| 209 | 1-11/16 | 4.1 | | | | | | | | | | | | | |
| | 1-3/4 | 4.1 | | | | | | | | | | | | | |
| | 45mm | 2.5 | 43.7 | 179.4 | 52.86 | 148.4 | 4.0 | M12 | 48.8 | 12.3 | 13.5 | 105 | 56.4 | 111.1 | 50.0 |
| | 1-15/16 | 3.6 | 1-3/4 | 7-7/16 | 2-17/64 | 6-3/16 | 0.158 | 9/16 | 2-7/64 | 5/8 | 1/2 | 4.1339 | 2-7/16 | 4-9/16 | 2-1/32 |
| 210 | 2 | 4.4 | | | | | | | | | | | | | |
| | 50mm | 2.6 | 44.5 | 188.9 | 57.4 | 157.2 | 4.0 | M16 | 53.4 | 15.9 | 12.7 | 105 | 61.9 | 115.9 | 51.6 |

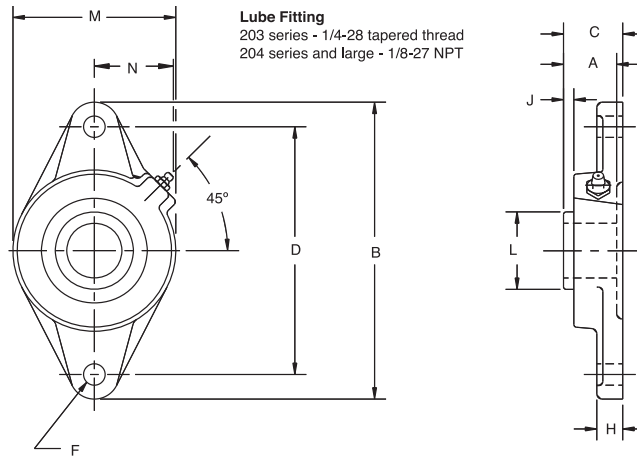
| | | | |
|--------------------------------|---------------------------|------------------------|---------------------------------|
| FEATURES/BENEFITS PAGE B3-2 | NOMENCLATURE PAGE B3-4 | SELECTION PAGE B3-5 | RELATED PRODUCTS PAGE B3-133 |
|--------------------------------|---------------------------|------------------------|---------------------------------|

SELECTION/DIMENSIONS

DODGE®



Setscrew Ball Bearings SCM MEDIUM DUTY 2-BOLT FLANGE BEARINGS



| Series | Shaft Size | Standard | | Sealed for Life | | With Flingers | |
|--------|------------|---------------|-------------|-----------------|----------------|---------------|----------------|
| | | Part No. | Description | Part No. | Description | Part No. | Description |
| 206 | 1 25mm | 126284 | F2B-SCM-100 | @ | F2B-SCM-100-NL | 052616 | F2B-SCM-100-FF |
| | | 125954 | F2B-SCM-25M | @ | F2B-SCM-25M-NL | @ | F2B-SCM-25M-FF |
| 207 | 1-3/16 | 126285 | F2B-SCM-103 | @ | F2B-SCM-103-NL | @ | F2B-SCM-103-FF |
| | 1-1/4 | 124276 | F2B-SC-104 | 126518 | F2B-SC-104-NL | 052664 | F2B-SC-104-FF |
| | 30mm | 125955 | F2B-SCM-30M | @ | F2B-SCM-30M-NL | @ | F2B-SCM-30M-FF |
| 208 | 1-7/16 | 126287 | F2B-SCM-107 | @ | F2B-SCM-107-NL | 056645 | F2B-SCM-107-FF |
| | 35mm | 125956 | F2B-SCM-35M | @ | F2B-SCM-35M-NL | @ | F2B-SCM-35M-FF |
| 209 | 1-1/2 | 126288 | F2B-SCM-108 | 126536 | F2B-SCM-108-NL | @ | F2B-SCM-108-FF |
| | 1-5/8 | 125171 | F2B-SC-110L | @ | F2B-SC-110L-NL | @ | F2B-SC-110L-FF |
| | 40mm | 125957 | F2B-SCM-40M | 067674 | F2B-SCM-40M-NL | @ | F2B-SCM-40M-FF |
| 210 | 1-11/16 | 126289 | F2B-SCM-111 | @ | F2B-SCM-111-NL | @ | F2B-SCM-111-FF |
| | 1-3/4 | 126290 | F2B-SCM-112 | @ | F2B-SCM-112-NL | @ | F2B-SCM-112-FF |
| | 45mm | 125958 | F2B-SCM-45M | @ | F2B-SCM-45M-NL | @ | F2B-SCM-45M-FF |
| 211 | 1-15/16 | 126292 | F2B-SCM-115 | @ | F2B-SCM-115-NL | @ | F2B-SCM-115-FF |
| | 2 | 126293 | F2B-SCM-200 | 065595 | F2B-SCM-200-NL | 058986 | F2B-SCM-200-FF |
| | 50mm | 125960 | F2B-SCM-50M | @ | F2B-SCM-50M-NL | @ | F2B-SCM-50M-FF |
| 212 | 2-3/16 | @ | F2B-SCM-203 | @ | F2B-SCM-203-NL | @ | F2B-SCM-203-FF |
| | 2-1/4 | @ | F2B-SCM-204 | @ | F2B-SCM-204-NL | @ | F2B-SCM-204-FF |
| | 55mm | @ | F2B-SCM-55M | @ | F2B-SCM-55M-NL | @ | F2B-SCM-55M-FF |

@ Assembled to order

FEATURES/BENEFITS
PAGE B3-2

NOMENCLATURE
PAGE B3-4

SELECTION
PAGE B3-5

RELATED PRODUCTS
PAGE B3-133

SELECTION/DIMENSIONS



Setscrew Ball Bearings SCM MEDIUM DUTY 2-BOLT FLANGE BEARINGS

Bearing Quick Reference

E-Z KLEEN

GRIP TIGHT Adapter Ball Bearing

Set Screw Ball Bearing

Eccentric Collar Ball Bearing

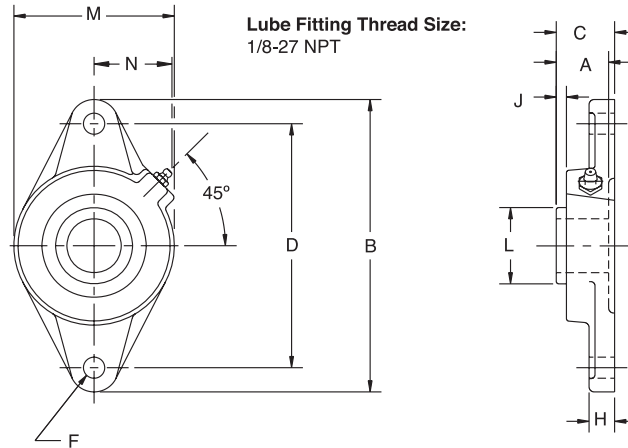
| Series | Shaft Size | Weight lbs. kgs | A | B | C | D | F Bolt Dia. | H | J | L | M | N |
|--------|---------------|--------------------|---------|---------|---------|---------|-------------|-------|-------|---------|--------|---------|
| 206 | 1 | 2.4 | 1-25/64 | 5-9/16 | 1-17/32 | 4-19/32 | 7/16 | 1/2 | 15/32 | 1-37/64 | 3-1/8 | 1-9/16 |
| | 25mm | 1.0 | 35.3 | 141.3 | 38.8 | 116.7 | M12 | 12.7 | 11.6 | 40.1 | 79.4 | 39.7 |
| 207 | 1-3/16 | 3.6 | 1-17/32 | 6-1/8 | 1-3/4 | 5-1/8 | 1/2 | 9/16 | 17/32 | 1-27/32 | 3-3/4 | 1-27/32 |
| | 1-1/4 30mm | 3.5 1.6 | 38.9 | 155.6 | 44.5 | 130.2 | M12 | 14.3 | 13.4 | 46.8 | 95.3 | 46.8 |
| 208 | 1-7/16 | 4.1 | 1-11/16 | 6-3/4 | 1-7/8 | 5-21/32 | 1/2 | 9/16 | 17/32 | 2-3/64 | 4-1/8 | 1-53/64 |
| | 35mm | 1.9 | 42.9 | 171.5 | 47.5 | 143.7 | M12 | 14.3 | 13.4 | 52.0 | 104.8 | 46.4 |
| 209 | 1-1/2 | 5.3 | 1-23/32 | 7-1/16 | 1-15/16 | 5-27/32 | 1/2 | 5/8 | 17/32 | 2-7/32 | 4-3/8 | 1-29/32 |
| | 1-5/8 40mm | 5.2 2.3 | 43.7 | 179.4 | 49.2 | 148.4 | M14 | 15.9 | 13.4 | 56.4 | 111.1 | 48.4 |
| 210 | 1-11/16 | 5.8 | 1-3/4 | 7-7/16 | 2 | 6-3/16 | 1/2 | 5/8 | 17/32 | 2-7/16 | 4-9/16 | 2-1/32 |
| | 1-3/4 45mm | 5.6 2.6 | 44.5 | 188.9 | 50.7 | 157.2 | M16 | 15.9 | 13.4 | 61.9 | 115.9 | 51.6 |
| 211 | 1-15/16 | 6.7 | 1-27/32 | 8-5/8 | 2-5/32 | 7-1/4 | 5/8 | 11/16 | 9/16 | 2-23/32 | 5-1/4 | 2-17/64 |
| | 2 50mm | 6.5 2.9 | 46.8 | 219.1 | 54.8 | 184.2 | M16 | 17.5 | 14.3 | 69.1 | 133.4 | 57.5 |
| 212 | 2-3/16 | 7.4 | 1-63/64 | 9-13/16 | 2-9/32 | 7-61/64 | 7/8 | 13/16 | 9/16 | 2-31/32 | 5-1/2 | 2-15/32 |
| | 2-1/4 55mm | 7.2 3.2 | 50.4 | 249.2 | 57.9 | 202.0 | M22 | 20.6 | 14.3 | 75.4 | 139.7 | 62.7 |

| | | | |
|--------------------------------|---------------------------|------------------------|---------------------------------|
| FEATURES/BENEFITS PAGE B3-2 | NOMENCLATURE PAGE B3-4 | SELECTION PAGE B3-5 | RELATED PRODUCTS PAGE B3-133 |
|--------------------------------|---------------------------|------------------------|---------------------------------|

SELECTION/DIMENSIONS



Setscrew Ball Bearings SCMAH MEDIUM DUTY AIR HANDLING 2-BOLT FLANGE BEARINGS



| Series | Shaft Size | Part No. | Standard Description |
|--------|------------|---------------|----------------------|
| 206 | 1 | 050498 | F2B-SCMAH-100 |
| | 25mm | @ | F2B-SCMAH-25M |
| 207 | 1-3/16 | 050146 | F2B-SCMAH-103 |
| | 1-1/4 | 123733 | F2B-SCAH-104 |
| | 30mm | @ | F2B-SCMAH-30M |
| 208 | 1-7/16 | 123755 | F2B-SCMAH-107 |
| | 35mm | @ | F2B-SCMAH-35M |
| 209 | 1-1/2 | @ | F2B-SCMAH-108 |
| | 1-5/8 | @ | F2B-SCAH-110L |
| | 40mm | @ | F2B-SCMAH-40M |
| 210 | 1-11/16 | 123757 | F2B-SCMAH-111 |
| | 1-3/4 | 123758 | F2B-SCMAH-112 |
| | 45mm | @ | F2B-SCMAH-45M |
| 211 | 1-15/16 | 064198 | F2B-SCMAH-115 |
| | 2 | @ | F2B-SCMAH-200 |
| | 50mm | @ | F2B-SCMAH-50M |
| 212 | 2-3/16 | @ | F2B-SCMAH-203 |
| | 2-1/4 | @ | F2B-SCMAH-204 |
| | 55mm | @ | F2B-SCMAH-55M |

@ Assembled to order

| | | | |
|--------------------------------|---------------------------|------------------------|---------------------------------|
| FEATURES/BENEFITS PAGE B3-2 | NOMENCLATURE PAGE B3-4 | SELECTION PAGE B3-5 | RELATED PRODUCTS PAGE B3-133 |
|--------------------------------|---------------------------|------------------------|---------------------------------|

SELECTION/DIMENSIONS



Setscrew Ball Bearings SCMAH MEDIUM DUTY AIR HANDLING 2-BOLT FLANGE BEARINGS

Bearing Quick Reference

E-Z KLEEN

GRIP TIGHT Adapter Ball Bearing

Set Screw Ball Bearing

Eccentric Collar Ball Bearing

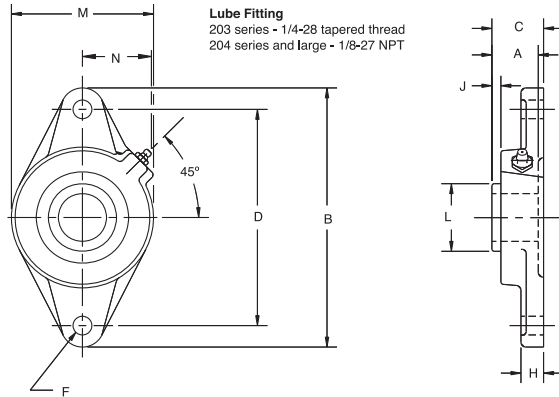
| Series | Shaft Size | Weight lbs kg | A | B | C | D | F Bolt Dia. | H | J | L | M | N |
|--------|---------------|------------------|---------|---------|---------|---------|-------------|-------|-------|---------|--------|---------|
| 206 | 1 | 2.4 | 1-25/64 | 5-9/16 | 1-17/32 | 4-19/32 | 7/16 | 1/2 | 15/32 | 1-37/64 | 3-1/8 | 1-9/16 |
| | 25mm | 1.0 | 35.3 | 141.3 | 38.8 | 116.7 | M12 | 12.7 | 11.6 | 40.1 | 79.4 | 39.7 |
| 207 | 1-3/16 | 3.6 | 1-17/32 | 6-1/8 | 1-3/4 | 5-1/8 | 1/2 | 9/16 | 17/32 | 1-27/32 | 3-3/4 | 1-27/32 |
| | 1-1/4 30mm | 3.5 1.6 | 38.9 | 155.6 | 44.5 | 130.2 | M12 | 14.3 | 13.4 | 46.8 | 95.3 | 46.8 |
| 208 | 1-7/16 | 4.1 | 1-11/16 | 6-3/4 | 1-7/8 | 5-21/32 | 1/2 | 9/16 | 17/32 | 2-3/64 | 4-1/8 | 1-53/64 |
| | 35mm | 1.9 | 42.9 | 171.5 | 47.5 | 143.7 | M12 | 14.3 | 13.4 | 52.0 | 104.8 | 46.4 |
| 209 | 1-1/2 | 5.3 | 1-23/32 | 7-1/16 | 1-15/16 | 5-27/32 | 1/2 | 5/8 | 17/32 | 2-7/32 | 4-3/8 | 1-29/32 |
| | 1-5/8 40mm | 5.2 2.3 | 43.7 | 179.4 | 49.2 | 148.4 | M14 | 15.9 | 13.4 | 56.4 | 111.1 | 48.4 |
| 210 | 1-11/16 | 5.8 | 1-3/4 | 7-7/16 | 2 | 6-3/16 | 1/2 | 5/8 | 17/32 | 2-7/16 | 4-9/16 | 2-1/32 |
| | 1-3/4 45mm | 5.6 2.6 | 44.5 | 188.9 | 50.7 | 157.2 | M16 | 15.9 | 13.4 | 61.9 | 115.9 | 51.6 |
| 211 | 1-15/16 | 6.7 | 1-27/32 | 8-5/8 | 2-5/32 | 7-1/4 | 5/8 | 11/16 | 9/16 | 2-23/32 | 5-1/4 | 2-17/64 |
| | 2 50mm | 6.5 2.9 | 46.8 | 219.1 | 54.8 | 184.2 | M16 | 17.5 | 14.3 | 69.1 | 133.4 | 57.5 |
| 212 | 2-3/16 | 7.4 | 1-63/64 | 9-13/16 | 2-9/32 | 7-61/64 | 7/8 | 13/16 | 9/16 | 2-31/32 | 5-1/2 | 2-15/32 |
| | 2-1/4 55mm | 7.2 3.2 | 50.4 | 249.2 | 57.9 | 202.0 | M22 | 20.6 | 14.3 | 75.4 | 139.7 | 62.7 |

| | | | |
|--------------------------------|---------------------------|------------------------|---------------------------------|
| FEATURES/BENEFITS PAGE B3-2 | NOMENCLATURE PAGE B3-4 | SELECTION PAGE B3-5 | RELATED PRODUCTS PAGE B3-133 |
|--------------------------------|---------------------------|------------------------|---------------------------------|

SELECTION/DIMENSIONS



Setscrew Ball Bearings VSC INTERMEDIATE DUTY 2-BOLT FLANGE BEARINGS



| Series | Shaft Size | Standard | | No-Lube/Sealed for Life (-NL) | |
|--------|----------------|--------------------------------|-----------------------------|-------------------------------|-----------------------------------|
| | | Part No. | Description | Part No. | Description |
| 203 | 1/2 | 125516 | F2B-VSC-008 | @ | F2B-VSC-008-NL |
| | 5/8 | 125517 | F2B-VSC-010 | @ | F2B-VSC-010-NL |
| | 17mm | 125703 | F2B-VSC-17M | @ | F2B-VSC-17M-NL |
| 204 | 3/4 | 123610 | F2B-VSC-012 | 057854 | F2B-VSC-012-NL |
| | 20mm | 125704 | F2B-VSC-20M | @ | F2B-VSC-20M-NL |
| 205 | 7/8 | 125518 | F2B-VSC-014 | @ | F2B-VSC-014-NL |
| | 15/16 | 125519 | F2B-VSC-015 | @ | F2B-VSC-015-NL |
| | 1 25mm | 123611 125705 | F2B-VSC-100 F2B-VSC-25M | 050778 @ | F2B-VSC-100-NL F2B-VSC-25M-NL |
| 206 | 1-1/8 | 125520 | F2B-VSC-102 | @ | F2B-VSC-102-NL |
| | 1-3/16 | 123612 | F2B-VSC-103 | 050840 | F2B-VSC-103-NL |
| | 1-1/4 30mm | 123618 125752 | F2B-VSC-104S F2B-VSC-30M | 051888 @ | F2B-VSC-104S-NL F2B-VSC-30M-NL |
| 207 | 1-1/4 | 123613 | F2B-VSC-104 | @ | F2B-VSC-104-NL |
| | 1-3/8 | 125521 | F2B-VSC-106 | 049468 | F2B-VSC-106-NL |
| | 1-7/16 35mm | 123614 125706 | F2B-VSC-107 F2B-VSC-35M | 051699 @ | F2B-VSC-107-NL F2B-VSC-35M-NL |
| 208 | 1-1/2 | 123615 | F2B-VSC-108 | @ | F2B-VSC-108-NL |
| | 40mm | 125707 | F2B-VSC-40M | @ | F2B-VSC-40M-NL |
| 209 | 1-11/16 | 125522 | F2B-VSC-111 | 050842 | F2B-VSC-111-NL |
| | 1-3/4 | 125523 | F2B-VSC-112 | 049892 | F2B-VSC-112-NL |
| | 45mm | 125708 | F2B-VSC-45M | @ | F2B-VSC-45M-NL |
| 210 | 1-15/16 | 123616 | F2B-VSC-115 | 059811 | F2B-VSC-115-NL |
| | 2 | 123617 | F2B-VSC-200 | 056727 | F2B-VSC-200-NL |
| | 50mm | 125709 | F2B-VSC-50M | @ | F2B-VSC-50M-NL |
| 211 | 2 | 123694 | F2B-VSC-200L | @ | F2B-VSC-200L-NL |
| | 2-3/16 55mm | 123619 125710 | F2B-VSC-203 F2B-VSC-55M | @ @ | F2B-VSC-203-NL F2B-VSC-55M-NL |

@Assembled to order

| | | | |
|--------------------------------|---------------------------|------------------------|---------------------------------|
| FEATURES/BENEFITS PAGE B3-2 | NOMENCLATURE PAGE B3-4 | SELECTION PAGE B3-5 | RELATED PRODUCTS PAGE B3-133 |
|--------------------------------|---------------------------|------------------------|---------------------------------|

SELECTION/DIMENSIONS



Setscrew Ball Bearings VSC INTERMEDIATE DUTY 2-BOLT FLANGE BEARINGS

| Series | Shaft Size | Weight lbs. kg. | A | B | C | D | F Bolt Dia. | H | J | L | M | N |
|--------|------------|-----------------|---------|---------|---------|---------|-------------|-------|-------|---------|--------|---------|
| 203 | 1/2 | 0.8 | 15/16 | 3-7/8 | 1-3/16 | 3 | 3/8 | 3/8 | 11/32 | 31/32 | 2-1/8 | 1-1/8 |
| | 5/8 | 0.7 | | | | | | | | | | |
| | 17mm | 0.36 | 23.8 | 98.4 | 30.2 | 76.2 | M10 | 9.5 | 8.7 | 24.6 | 54.0 | 28.6 |
| 204 | 3/4 | 1.4 | 1-1/16 | 4-13/32 | 1-3/8 | 3-17/32 | 3/8 | 1/2 | 25/64 | 1-1/8 | 2-3/8 | 1-1/2 |
| | 20mm | 0.63 | 27.0 | 111.9 | 34.9 | 89.7 | M10 | 12.7 | 9.9 | 28.6 | 60.3 | 38.1 |
| 205 | 7/8 | 1.6 | 1-3/32 | 4-7/8 | 1-11/32 | 3-57/64 | 7/16 | 1/2 | 25/64 | 1-21/64 | 2-3/4 | 1-7/16 |
| | 15/16 | 1.5 | | | | | | | | | | |
| | 1 | 1.4 | | | | | | | | | | |
| 206 | 25mm | 0.67 | 27.8 | 123.8 | 34.1 | 98.8 | M10 | 12.7 | 9.9 | 33.7 | 69.9 | 36.5 |
| | 1-1/8 | 2.2 | 1-19/64 | 5-9/16 | 1-17/32 | 4-19/32 | 7/16 | 1/2 | 15/32 | 1-37/64 | 3-1/8 | 1-9/16 |
| | 1-3/16 | 2.1 | | | | | | | | | | |
| 207 | 1-1/4 | 2.0 | | | | | | | | | | |
| | 30mm | 0.94 | 32.9 | 141.3 | 38.9 | 116.7 | M12 | 12.7 | 11.9 | 40.1 | 79.4 | 39.7 |
| | 1-1/4 | 3.5 | 1-7/16 | 6-1/8 | 1-3/4 | 5-1/8 | 1/2 | 9/16 | 17/32 | 1-27/32 | 3-3/4 | 1-27/32 |
| 208 | 1-3/8 | 3.3 | | | | | | | | | | |
| | 1-7/16 | 3.2 | | | | | | | | | | |
| | 35mm | 1.43 | 36.5 | 155.6 | 44.5 | 130.2 | M12 | 14.3 | 13.5 | 46.8 | 95.3 | 46.8 |
| 209 | 1-1/2 | 4.1 | 1-9/16 | 6-3/4 | 1-7/8 | 5-21/32 | 1/2 | 9/16 | 17/32 | 2-3/64 | 4-1/8 | 1-53/64 |
| | 40mm | 1.83 | 39.7 | 171.5 | 47.6 | 143.7 | M12 | 14.3 | 13.5 | 52.0 | 104.8 | 46.4 |
| 210 | 1-11/16 | 5.0 | 1-19/32 | 7-1/16 | 1-15/16 | 5-27/32 | 1/2 | 5/8 | 17/32 | 2-7/32 | 4-3/8 | 1-29/32 |
| | 1-3/4 | 4.9 | | | | | | | | | | |
| | 45mm | 2.23 | 40.5 | 179.4 | 49.20 | 148.4 | M14 | 15.9 | 13.5 | 56.4 | 111.1 | 48.4 |
| 211 | 1-15/16 | 5.4 | 1-5/8 | 7-7/16 | 2 | 6-3/16 | 1/2 | 5/8 | 17/32 | 2-7/16 | 4-9/16 | 2-1/32 |
| | 2 | 5.2 | | | | | | | | | | |
| | 50mm | 2.41 | 40.5 | 188.9 | 50.8 | 157.2 | M16 | 15.9 | 13.5 | 61.9 | 115.9 | 51.6 |
| 211 | 2 | 6.7 | 1-23/32 | 8-5/8 | 2-5/32 | 7-1/4 | 5/8 | 11/16 | 9/16 | 2-23/32 | 5-1/4 | 2-17/64 |
| | 2-3/16 | 6.5 | | | | | | | | | | |
| | 55mm | 2.99 | 41.3 | 219.1 | 54.8 | 184.2 | M16 | 17.5 | 14.3 | 69.1 | 133.4 | 57.5 |

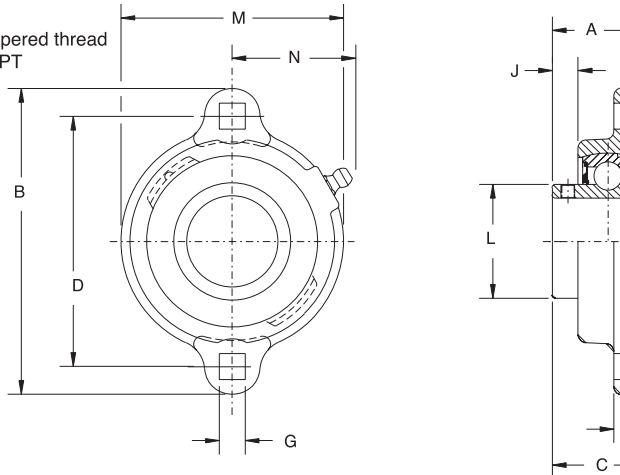
| | | | |
|--------------------------------|---------------------------|------------------------|---------------------------------|
| FEATURES/BENEFITS PAGE B3-2 | NOMENCLATURE PAGE B3-4 | SELECTION PAGE B3-5 | RELATED PRODUCTS PAGE B3-133 |
|--------------------------------|---------------------------|------------------------|---------------------------------|

SELECTION/DIMENSIONS



Setscrew Ball Bearings SC LFT DUTY 2-BOLT FLANGE BEARINGS

Lube Fitting Thread Size:
203 - 204 series - 1/4-28 tapered thread
207 - 207 series - 1/8-27 NPT



| Series | Shaft Size | Standard | | Sealed for Life (No Lube) | |
|--------|------------|---------------|-------------|---------------------------|----------------|
| | | Part No. | Description | Part No. | Description |
| 203 | 1/2 | 124640 | LFT-SC-008 | 124660 | LFT-SC-008-NL |
| | 5/8 | 124641 | LFT-SC-010 | 124661 | LFT-SC-010-NL |
| | 17mm | 130362 | LFT-SC-17M | @ | LFT-SC-17M-NL |
| 204 | 3/4 | 124642 | LFT-SC-012 | 124662 | LFT-SC-012-NL |
| | 20mm | 130363 | LFT-SC-20M | @ | LFT-SC-20M-NL |
| 205 | 7/8 | 124643 | LFT-SC-014 | 124663 | LFT-SC-014-NL |
| | 15/16 | 124644 | LFT-SC-015 | 124664 | LFT-SC-015-NL |
| | 1 | 124645 | LFT-SC-100 | 124665 | LFT-SC-100-NL |
| | 25mm | 130364 | LFT-SC-25M | @ | LFT-SC-25M-NL |
| 206 | 1-1/16 | 124646 | LFT-SC-101 | 124666 | LFT-SC-101-NL |
| | 1-1/8 | 124647 | LFT-SC-102 | 124667 | LFT-SC-102-NL |
| | 1-3/16 | 124648 | LFT-SC-103 | 124668 | LFT-SC-103-NL |
| | 1-1/4 | 124649 | LFT-SC-104S | 124669 | LFT-SC-104S-NL |
| | 30mm | 130365 | LFT-SC-30M | @ | LFT-SC-30M-NL |
| 207 | 1-1/4 | 124650 | LFT-SC-104 | 124670 | LFT-SC-104-NL |
| | 1-5/16 | 124651 | LFT-SC-105 | 124671 | LFT-SC-105-NL |
| | 1-3/8 | 124652 | LFT-SC-106 | 124672 | LFT-SC-106-NL |
| | 1-7/16 | 124653 | LFT-SC-107 | 124673 | LFT-SC-107-NL |
| | 35mm | 130366 | LFT-SC-35M | @ | LFT-SC-35M-NL |

* No lube fitting required in the SCLFT NoLube
@ Assembled to order.

| | | | |
|--------------------------------|---------------------------|------------------------|---------------------------------|
| FEATURES/BENEFITS PAGE B3-2 | NOMENCLATURE PAGE B3-4 | SELECTION PAGE B3-5 | RELATED PRODUCTS PAGE B3-133 |
|--------------------------------|---------------------------|------------------------|---------------------------------|

SELECTION/DIMENSIONS



Setscrew Ball Bearings SC LFT DUTY 2-BOLT FLANGE BEARINGS

Bearing Quick Reference

E-Z KLEEN

GRIP TIGHT Adapter Ball Bearing

Set Screw Ball Bearing

Eccentric Collar Ball Bearing

| Series | Shaft Size | Weight lbs kgs | A | B | C | D | G | H | J | L | M | N* |
|--------|------------|-------------------|---------|---------|---------|---------|-------|-------|-------|---------|-------|---------|
| 203 | 1/2 | 0.60 | 1 | 3-3/16 | 1-3/64 | 2-1/2 | 9/32 | 3/8 | 21/64 | 31/32 | 2-1/8 | 1-15/64 |
| | 5/8 | 0.55 | | | | | | | | | | |
| | 17mm | 0.27 | | | | | | | | | | |
| 204 | 3/4 | 0.80 | 1-5/32 | 3-9/16 | 1-7/32 | 2-13/16 | 11/32 | 27/64 | 3/8 | 1-1/8 | 2-3/8 | 1-11/32 |
| | 20mm | 0.36 | 29.4 | 90.5 | 31.0 | 71.4 | 8.7 | 10.7 | 9.5 | 28.6 | 60.3 | 34.1 |
| 205 | 7/8 | 0.95 | 1-3/16 | 3-3/4 | 1-1/4 | 3 | 11/32 | 27/64 | 3/8 | 1-21/64 | 2-5/8 | 1-7/16 |
| | 15/16 | 0.90 | | | | | | | | | | |
| | 1 | 0.85 | | | | | | | | | | |
| 206 | 25mm | 0.43 | 30.2 | 95.3 | 31.8 | 76.2 | 8.7 | 10.7 | 10.3 | 33.7 | 66.7 | 36.5 |
| | 1-1/16 | 1.50 | 1-25/64 | 4-7/16 | 1-15/32 | 3-9/16 | 13/32 | 15/32 | 15/32 | 1-37/64 | 3-1/4 | 1-23/32 |
| | 1-1/8 | 1.45 | 35.3 | 112.7 | 37.3 | 90.5 | 10.3 | 11.9 | 13.5 | 40.1 | 82.6 | 43.7 |
| | 1-3/16 | 1.40 | | | | | | | | | | |
| 1-1/4 | 1.35 | | | | | | | | | | | |
| 30mm | 0.67 | | | | | | | | | | | |
| 207 | 1-1/4 | 1.85 | 1-17/32 | 4-13/16 | 1-19/32 | 3-15/16 | 13/32 | 1/2 | 17/32 | 1-27/32 | 3-1/2 | 1-53/64 |
| | 1-5/16 | 1.80 | 38.9 | 122.2 | 40.5 | 100.0 | 10.3 | 12.7 | 13.5 | 46.8 | 88.9 | 46.4 |
| | 1-3/8 | 1.75 | | | | | | | | | | |
| | 1-7/16 | 1.70 | | | | | | | | | | |
| | 35mm | 0.81 | | | | | | | | | | |

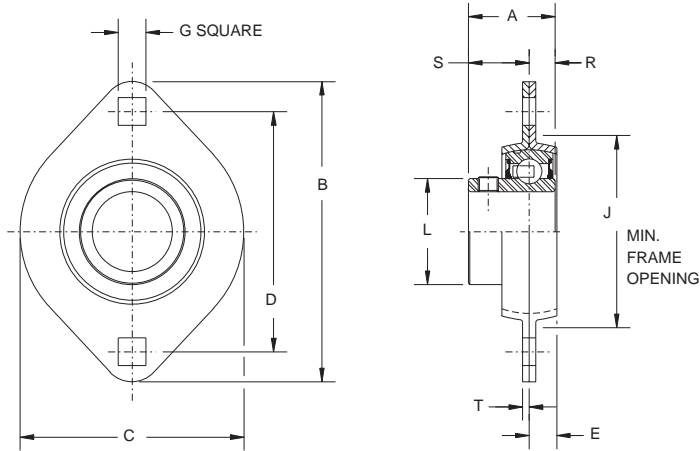
* No lube fitting required in the SCLFT NoLube

| | | | |
|--------------------------------|---------------------------|------------------------|---------------------------------|
| FEATURES/BENEFITS PAGE B3-2 | NOMENCLATURE PAGE B3-4 | SELECTION PAGE B3-5 | RELATED PRODUCTS PAGE B3-133 |
|--------------------------------|---------------------------|------------------------|---------------------------------|

SELECTION/DIMENSIONS



Setscrew Ball Bearings SL LIGHT DUTY 2-BOLT FLANGE BEARINGS



| Series | Shaft Size | Part No. | Description |
|--------|------------|---------------|-------------|
| 203 | 1/2 | 128151 | F2B-SL-008 |
| | 5/8 | 128154 | F2B-SL-010 |
| | 17mm | 068789 | F2B-SL-17M |
| 204 | 3/4 | 128092 | F2B-SL-012 |
| | 20mm | @ | F2B-SL-20M |
| 205 | 7/8 | 128174 | F2B-SL-014 |
| | 15/16 | 128175 | F2B-SL-015 |
| | 1 | 128093 | F2B-SL-100 |
| | 25mm | @ | F2B-SL-25M |
| 206 | 1-1/8 | 128176 | F2B-SL-102 |
| | 1-3/16 | 128094 | F2B-SL-103 |
| | 1-1/4 | 128097 | F2B-SL-104S |
| | 30mm | @ | F2B-SL-30M |
| 207 | 1-1/4 | 128095 | F2B-SL-104 |
| | 1-3/8 | 128177 | F2B-SL-106 |
| | 1-7/16 | 128096 | F2B-SL-107 |
| | 35mm | @ | F2B-SL-35M |

| | | | |
|--------------------------------|---------------------------|------------------------|---------------------------------|
| FEATURES/BENEFITS PAGE B3-2 | NOMENCLATURE PAGE B3-4 | SELECTION PAGE B3-5 | RELATED PRODUCTS PAGE B3-133 |
|--------------------------------|---------------------------|------------------------|---------------------------------|

SELECTION/DIMENSIONS



Setscrew Ball Bearings SL LIGHT DUTY 2-BOLT FLANGE BEARINGS

| Series | Shaft Size | Weight lbs. kg | A | B | C | D | E | G* | J | L | R | S | T | Housing Radial Load Rating (lbs) N |
|--------|---------------|----------------------|---------|---------|---------|---------|-------|-------|---------|---------|-------|--------|-------|---|
| 203 | 1/2 | 0.45 | 15/16 | 3-3/16 | 2-5/16 | 2-1/2 | 9/32 | 9/32 | 1-15/16 | 31/32 | 19/64 | 41/64 | 0.075 | 600 |
| | 5/8 17mm | 0.42 0.20 | 23.8 | 81.0 | 58.7 | 63.5 | 7.1 | 7.1 | 49.2 | 24.6 | 7.5 | 16.3 | 1.9 | 2,668 |
| 204 | 3/4 | 0.55 | 1-1/16 | 3-9/16 | 2-5/8 | 2-13/16 | 5/16 | 11/32 | 2-3/16 | 1-1/8 | 21/64 | 47/64 | 0.083 | 700 |
| | 20mm | 0.25 | 27.0 | 90.5 | 66.7 | 71.4 | 7.9 | 8.7 | 55.6 | 28.6 | 8.3 | 18.7 | 2.1 | 3,112 |
| 205 | 7/8 | 0.81 | 1-3/32 | 3-3/4 | 2-51/64 | 3 | 11/32 | 11/32 | 2-3/8 | 1-21/64 | 21/64 | 49/64 | 0.083 | 800 |
| | 15/16 | 0.77 | | | | | | | | | | | | |
| | 1 25mm | 0.65 .34 | 27.8 | 95.3 | 71.0 | 76.2 | 8.7 | 8.7 | 60.3 | 33.7 | 8.3 | 19.4 | 2.1 | 3,557 |
| 206 | 1-1/8 | 1.05 | 1-19/64 | 4-7/16 | 3-5/16 | 3-9/16 | 11/32 | 13/32 | 2-13/16 | 1-37/64 | 25/64 | 29/32 | 0.104 | 1,100 |
| | 1-3/16 | 1.02 | | | | | | | | | | | | |
| | 1-1/4 30mm | 1.00 0.46 | 32.9 | 112.7 | 84.1 | 90.5 | 8.7 | 10.3 | 71.4 | 40.1 | 9.9 | 23.0 | 2.6 | 4,891 |
| 207 | 1-1/4 | 1.53 | 1-7/16 | 4-15/16 | 3-11/16 | 3-15/16 | 7/16 | 13/32 | 3-3/16 | 1-27/32 | 13/32 | 1-1/32 | 0.104 | 1,400 |
| | 1-3/8 | 1.50 | | | | | | | | | | | | |
| | 1-7/16 | 1.37 | | | | | | | | | | | | |
| | 35mm | 0.67 | 36.5 | 125.4 | 93.7 | 100.0 | 11.1 | 10.3 | 81.0 | 46.8 | 10.3 | 26.2 | 2.6 | 6,225 |

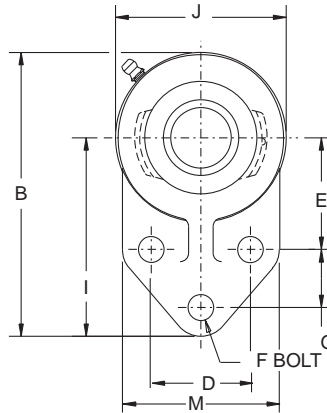
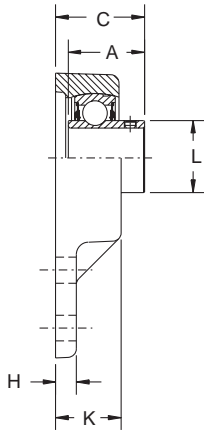
* Mounting bolt holes will accept either carriage or machine bolts

| | | | |
|--------------------------------|---------------------------|------------------------|---------------------------------|
| FEATURES/BENEFITS PAGE B3-2 | NOMENCLATURE PAGE B3-4 | SELECTION PAGE B3-5 | RELATED PRODUCTS PAGE B3-133 |
|--------------------------------|---------------------------|------------------------|---------------------------------|

SELECTION/DIMENSIONS



Setscrew Ball Bearings SC FB NORMAL DUTY 3-BOLT FLANGED BRACKET BEARINGS



Lube Fitting Thread Size:
1/8-27 NPT

| Series | Shaft Size | Standard | | No Lube/Sealed for Life (-NL) | | With Flingers | |
|--------|------------|---------------|-------------|-------------------------------|---------------|---------------|---------------|
| | | Part No. | Description | Part No. | Description | Part No. | Description |
| 204 | 1/2 | 124435 | FB-SC-008 | 068720 | FB-SC-008-NL | @ | FB-SC-008-FF |
| | 5/8 | 124436 | FB-SC-010 | 059816 | FB-SC-010-NL | @ | FB-SC-010-FF |
| | 3/4 | 124437 | FB-SC-012 | 058544 | FB-SC-012-NL | 049726 | FB-SC-012-FF |
| 205 | 7/8 | 124438 | FB-SC-014 | 056765 | FB-SC-014-NL | @ | FB-SC-014-FF |
| | 15/16 | 124439 | FB-SC-015 | @ | FB-SC-015-NL | @ | FB-SC-015-FF |
| | 1 | 124440 | FB-SC-100 | 051774 | FB-SC-100-NL | 067725 | FB-SC-100-FF |
| 206 | 1-1/16 | 124441 | FB-SC-101 | @ | FB-SC-101-NL | @ | FB-SC-101-FF |
| | 1-1/8 | 124442 | FB-SC-102 | @ | FB-SC-102-NL | @ | FB-SC-102-FF |
| | 1-3/16 | 124443 | FB-SC-103 | 049615 | FB-SC-103-NL | @ | FB-SC-103-FF |
| | 1-1/4 | 124444 | FB-SC-104S | 124450 | FB-SC-104S-NL | 054263 | FB-SC-104S-FF |
| 207 | 1-1/4 | 124445 | FB-SC-104 | 058545 | FB-SC-104-NL | @ | FB-SC-104-FF |
| | 1-5/16 | 124446 | FB-SC-105 | @ | FB-SC-105-NL | @ | FB-SC-105-FF |
| | 1-3/8 | 124447 | FB-SC-106 | @ | FB-SC-106-NL | @ | FB-SC-106-FF |
| | 1-7/16 | 124448 | FB-SC-107 | 052016 | FB-SC-107-NL | 124449 | FB-SC-107-FF |
| 210 | 1-11/16 | 052906 | FB-SCM-111 | 068840 | FB-SCM-111-NL | @ | FB-SCM-111-FF |
| | 1-15/16 | 052094 | FB-SC-115 | @ | FB-SC-115-NL | @ | FB-SC-115-FF |
| | 2 | 058529 | FB-SC-200 | @ | FB-SC-200-NL | @ | FB-SC-200-FF |

@ Assembled to order.

| | | | |
|--------------------------------|---------------------------|------------------------|---------------------------------|
| FEATURES/BENEFITS PAGE B3-2 | NOMENCLATURE PAGE B3-4 | SELECTION PAGE B3-5 | RELATED PRODUCTS PAGE B3-133 |
|--------------------------------|---------------------------|------------------------|---------------------------------|

SELECTION/DIMENSIONS



Setscrew Ball Bearings SC FB NORMAL DUTY 3-BOLT FLANGED BRACKET BEARINGS

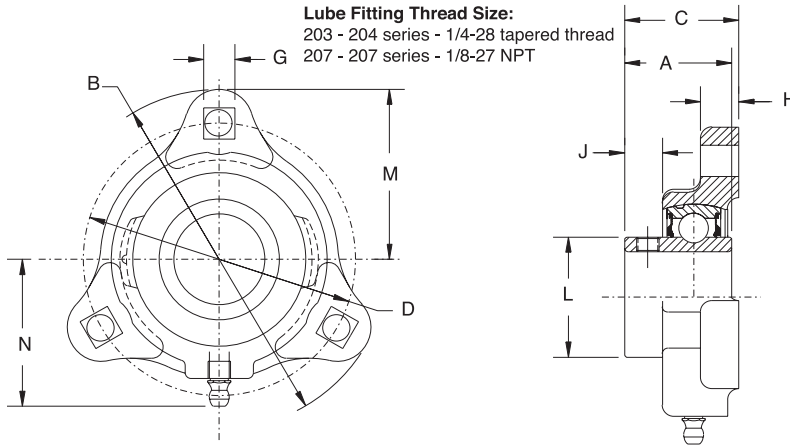
| Series | Shaft Size | Weight lbs | A | B | C | D | E | F Bolt Dia. | G | H | I | J | K | L | M |
|--------|------------|------------|---------|-------|---------|-------|---------|-------------|-------|------|--------|-------|--------|---------|-------|
| 204 | 1/2 | 1.51 | 1-5/32 | 4-1/4 | 1-11/32 | 1-1/2 | 1-11/16 | 3/8 | 7/8 | 5/16 | 3 | 2-1/2 | 63/64 | 1-1/8 | 2-3/8 |
| | 5/8 | 1.48 | | | | | | | | | | | | | |
| | 3/4 | 1.45 | | | | | | | | | | | | | |
| 205 | 7/8 | 1.81 | 1-3/16 | 4-3/4 | 1-1/2 | 1-5/8 | 1-13/16 | 3/8 | 1-1/8 | 3/8 | 3-3/8 | 2-3/4 | 1-7/64 | 1-21/64 | 2-1/2 |
| | 15/16 | 1.78 | | | | | | | | | | | | | |
| | 1 | 1.75 | | | | | | | | | | | | | |
| 206 | 1-1/16 | 2.12 | 1-25/64 | 5-3/8 | 1-5/8 | 1-7/8 | 2-1/16 | 3/8 | 1-1/4 | 3/8 | 3-3/4 | 3-1/4 | 1-1/8 | 1-37/64 | 2-3/4 |
| | 1-1/8 | 2.08 | | | | | | | | | | | | | |
| | 1-3/16 | 2.05 | | | | | | | | | | | | | |
| | 1-1/4 | 2.02 | | | | | | | | | | | | | |
| 207 | 1-1/4 | 3.46 | 1-17/32 | 6-1/8 | 1-7/8 | 2 | 2-3/8 | 1/2 | 1-1/4 | 1/2 | 4-1/4 | 3-3/4 | 1-5/16 | 1-27/32 | 3-1/4 |
| | 1-5/16 | 3.41 | | | | | | | | | | | | | |
| | 1-3/8 | 3.36 | | | | | | | | | | | | | |
| | 1-7/16 | 3.30 | | | | | | | | | | | | | |
| 210 | 1-11/16 | 5.70 | 1-3/4 | 7-1/2 | 2-1/32 | 2-3/4 | 2-15/16 | 1/2 | 1-5/8 | 1/2 | 5-3/16 | 4-5/8 | 1-1/2 | 2-7/16 | 4 |
| | 1-15/16 | 5.50 | | | | | | | | | | | | | |
| | 2 | 5.40 | | | | | | | | | | | | | |

| | | | |
|--------------------------------|---------------------------|------------------------|---------------------------------|
| FEATURES/BENEFITS PAGE B3-2 | NOMENCLATURE PAGE B3-4 | SELECTION PAGE B3-5 | RELATED PRODUCTS PAGE B3-133 |
|--------------------------------|---------------------------|------------------------|---------------------------------|

SELECTION/DIMENSIONS



Setscrew Ball Bearings SC LF NORMAL DUTY 3-BOLT FLANGE BEARINGS



| Series | Shaft Size | Standard | | Sealed for Life (No Lube) | |
|--------|------------|---------------|-------------|---------------------------|---------------|
| | | Part No. | Description | Part No. | Description |
| 203 | 1/2 | 124600 | LF-SC-008 | 124620 | LF-SC-008-NL |
| | 5/8 | 124601 | LF-SC-010 | 124621 | LF-SC-010-NL |
| | 17 mm | 050895 | LF-SC-17M | @ | LF-SC-17M-NL |
| 204 | 3/4 | 124602 | LF-SC-012 | 124622 | LF-SC-012-NL |
| | 20 mm | 124934 | LF-SC-20M | 125384 | LF-SC-20M-NL |
| 205 | 7/8 | 124603 | LF-SC-014 | 124623 | LF-SC-014-NL |
| | 15/16 | 124604 | LF-SC-015 | 124624 | LF-SC-015-NL |
| | 1 | 124605 | LF-SC-100 | 124625 | LF-SC-100-NL |
| | 25 mm | @ | LF-SC-25M | @ | LF-SC-25M-NL |
| 206 | 1-1/16 | 124606 | LF-SC-101 | 124626 | LF-SC-101-NL |
| | 1-1/8 | 124607 | LF-SC-102 | 124627 | LF-SC-102-NL |
| | 1-3/16 | 124608 | LF-SC-103 | 124628 | LF-SC-103-NL |
| | 1-1/4 | 124609 | LF-SC-104S | 124629 | LF-SC-104S-NL |
| | 30 mm | 067892 | LF-SC-30M | @ | LF-SC-30M-NL |
| 207 | 1-1/4 | 124610 | LF-SC-104 | 124630 | LF-SC-104-NL |
| | 1-5/16 | 124611 | LF-SC-105 | 124631 | LF-SC-105-NL |
| | 1-3/8 | 124612 | LF-SC-106 | 124632 | LF-SC-106-NL |
| | 1-7/16 | 124613 | LF-SC-107 | 124633 | LF-SC-107-NL |
| | 35 mm | 065699 | LF-SC-35M | @ | LF-SC-35M-NL |

@ Assembled to order.

| | | | |
|--------------------------------|---------------------------|------------------------|---------------------------------|
| FEATURES/BENEFITS PAGE B3-2 | NOMENCLATURE PAGE B3-4 | SELECTION PAGE B3-5 | RELATED PRODUCTS PAGE B3-133 |
|--------------------------------|---------------------------|------------------------|---------------------------------|

SELECTION/DIMENSIONS



Setscrew Ball Bearings SC LF NORMAL DUTY 3-BOLT FLANGE BEARINGS

Bearing Quick Reference

E-Z KLEEN

GRIP TIGHT Adapter Ball Bearing

Set Screw Ball Bearing

Eccentric Collar Ball Bearing

| Series | Shaft Size | Weight lbs kg | A | B | C | D | G | H | J | L | M | N |
|--------|-----------------|---------------|---------|---------|---------|---------|-------|-------|-------|---------|---------|---------|
| 203 | 1/2 | 0.65 | 1 | 3-3/16 | 1-3/64 | 2-1/2 | 9/32 | 3/8 | 21/64 | 31/32 | 1-19/32 | 1-27/32 |
| | 5/8 17 mm | 0.60 0.29 | 25.4 | 81.0 | 27.0 | 63.5 | 7.5 | 9.5 | 8.7 | 24.6 | 40.5 | 46.8 |
| 204 | 3/4 | 0.85 | 1-5/32 | 3-9/16 | 1-7/32 | 2-13/16 | 23/64 | 27/64 | 3/8 | 1-1/8 | 1-25/32 | 1-37/64 |
| | 20 mm | 0.38 | 29.4 | 90.5 | 31.0 | 71.4 | 9.1 | 10.7 | 9.5 | 28.6 | 45.2 | 40.1 |
| 205 | 7/8 | 1.10 | 1-3/16 | 3-3/4 | 1-1/4 | 3 | 11/32 | 27/64 | 3/8 | 1-21/64 | 1-7/8 | 1-45/64 |
| | 15/16 | 1.05 | | | | | | | | | | |
| | 1 25 mm | 1.00 0.47 | 30.2 | 95.3 | 31.8 | 76.2 | 8.7 | 10.7 | 10.3 | 33.7 | 47.6 | 43.3 |
| 206 | 1-1/16 | 1.65 | 1-25/64 | 4-7/16 | 1-15/32 | 3-9/16 | 13/32 | 15/32 | 15/32 | 1-37/64 | 2-7/32 | 2-1/64 |
| | 1-1/8 | 1.60 | | | | | | | | | | |
| | 1-3/16 | 1.55 | | | | | | | | | | |
| | 1 -/4 30 mm | 1.50 0.70 | 35.3 | 112.7 | 37.3 | 90.5 | 10.3 | 11.9 | 13.5 | 40.1 | 56.4 | 51.2 |
| 207 | 1-1/4 | 2.10 | 1-17/32 | 4-13/16 | 1-19/32 | 3-15/16 | 13/32 | 1/2 | 17/32 | 1-27/32 | 2-13/32 | 2-9/64 |
| | 1-5/16 | 2.05 | | | | | | | | | | |
| | 1-3/8 | 2.00 | | | | | | | | | | |
| | 1-7/16 35 mm | 1.95 0.90 | 38.9 | 122.2 | 40.5 | 100.0 | 10.3 | 12.7 | 13.5 | 46.8 | 61.1 | 54.4 |

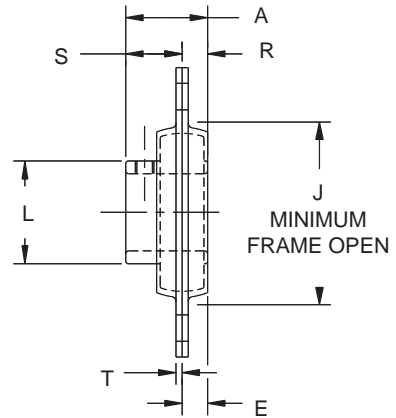
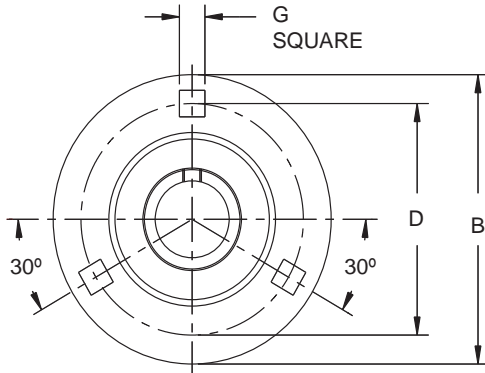
* No lube fitting required in the SC LFT No Lube

| | | | |
|--------------------------------|---------------------------|------------------------|---------------------------------|
| FEATURES/BENEFITS PAGE B3-2 | NOMENCLATURE PAGE B3-4 | SELECTION PAGE B3-5 | RELATED PRODUCTS PAGE B3-133 |
|--------------------------------|---------------------------|------------------------|---------------------------------|

SELECTION/DIMENSIONS



Setscrew Ball Bearings SL LIGHT DUTY 3-BOLT FLANGE BEARINGS



| Series | Shaft Size | Part No. | Description |
|--------|------------|---------------|-------------|
| 204 | 3/4 | 128083 | F3B-SL-012 |
| | 20mm | @ | F3B-SL-20M |
| 205 | 7/8 | 128178 | F3B-SL-014 |
| | 15/16 | 128179 | F3B-SL-015 |
| | 1 | 128084 | F3B-SL-100 |
| | 25mm | @ | F3B-SL-25M |
| 206 | 1-1/8 | 128180 | F3B-SL-102 |
| | 1-3/16 | 128085 | F3B-SL-103 |
| | 1-1/4 | 128082 | F3B-SL-104S |
| | 30mm | @ | F3B-SL-30M |
| 207 | 1-1/4 | 128086 | F3B-SL-104 |
| | 1-3/8 | 128181 | F3B-SL-106 |
| | 1-7/16 | 128087 | F3B-SL-107 |
| | 35mm | @ | F3B-SL-35M |

@ Assembled to order.

| | | | |
|--------------------------------|---------------------------|------------------------|---------------------------------|
| FEATURES/BENEFITS PAGE B3-2 | NOMENCLATURE PAGE B3-4 | SELECTION PAGE B3-5 | RELATED PRODUCTS PAGE B3-133 |
|--------------------------------|---------------------------|------------------------|---------------------------------|

SELECTION/DIMENSIONS



Setscrew Ball Bearings SL LIGHT DUTY 3-BOLT FLANGE BEARINGS

| Series | Shaft Size | Weight lbs. kg | A | B | D | E | G* | J | L | R | S | T | Housing Radial Load Rating (lbs.) N |
|--------|------------|----------------|---------|---------|---------|-------|-------|---------|---------|-------|--------|-------|-------------------------------------|
| 204 | 3/4 | 0.74 | 1-1/16 | 3-9/16 | 2-13/16 | 5/16 | 11/32 | 2-3/16 | 1-1/8 | 21/64 | 47/64 | 0.083 | 700 |
| | 20mm | 0.33 | 27.0 | 90.5 | 71.4 | 7.9 | 8.7 | 55.6 | 90.5 | 71.4 | 7.9 | 2.1 | 3,112 |
| 205 | 7/8 | 1.01 | 1-3/32 | 3-3/4 | 3 | 11/32 | 11/32 | 2-3/8 | 1-21/64 | 21/64 | 49/64 | 0.083 | 800 |
| | 15/16 | 0.97 | | | | | | | | | | | |
| | 1 | 0.85 | | | | | | | | | | | |
| 206 | 25mm | 0.43 | 27.8 | 95.3 | 76.2 | 8.7 | 8.7 | 60.3 | 33.7 | 8.3 | 19.4 | 2.1 | 3,557 |
| | 1-1/8 | 1.39 | 1-19/64 | 4-7/16 | 3-9/16 | 11/32 | 13/32 | 2-13/16 | 1-37/64 | 25/64 | 29/32 | 0.104 | 1,100 |
| | 1-3/16 | 1.36 | | | | | | | | | | | |
| | 1-1/4 | 1.34 | | | | | | | | | | | |
| 207 | 30mm | 0.61 | 32.9 | 112.7 | 90.5 | 8.7 | 10.3 | 71.4 | 40.1 | 9.9 | 23.0 | 2.6 | 4,891 |
| | 1-1/4 | 1.89 | 1-7/16 | 4-15/16 | 3-15/16 | 7/16 | 13/32 | 3-3/16 | 1-27/32 | 13/32 | 1-1/32 | 0.104 | 1,400 |
| | 1-3/8 | 1.86 | | | | | | | | | | | |
| | 1-7/16 | 1.73 | | | | | | | | | | | |
| | 35mm | 0.83 | 36.5 | 125.4 | 100.1 | 11.1 | 10.3 | 81.0 | 46.8 | 10.3 | 26.2 | 2.6 | 6,225 |

* Mounting bolt holes will accept either carriage or machine bolts.

| | | | |
|--------------------------------|---------------------------|------------------------|---------------------------------|
| FEATURES/BENEFITS PAGE B3-2 | NOMENCLATURE PAGE B3-4 | SELECTION PAGE B3-5 | RELATED PRODUCTS PAGE B3-133 |
|--------------------------------|---------------------------|------------------------|---------------------------------|

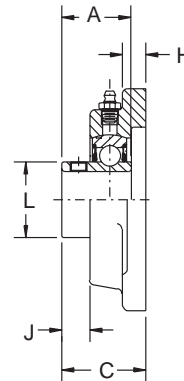
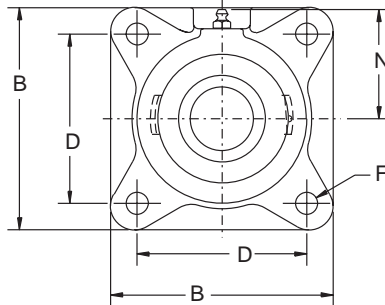
SELECTION/DIMENSIONS



Setscrew Ball Bearings SC NORMAL DUTY 4-BOLT FLANGE BEARINGS

Lube Fitting Thread Size:

203 series - 1/4-28 tapered thread
204 series and larger - 1/8-27 NPT



| Series | Shaft Size | Standard | | No-Lube/Sealed for Life (-NL) | | With Flingers | |
|--------|------------|---------------|-------------|-------------------------------|----------------|---------------|----------------|
| | | Part No. | Description | Part No. | Description | Part No. | Description |
| 203 | 1/2 | 124048 | F4B-SC-008 | @ | F4B-SC-008-NL | @ | F4B-SC-008-FF |
| | 5/8 | 124049 | F4B-SC-010 | 067642 | F4B-SC-010-NL | @ | F4B-SC-010-FF |
| | 17mm | 125885 | F4B-SC-17M | @ | F4B-SC-17M-NL | @ | F4B-SC-17M-FF |
| 204 | 1/2 | 124098 | F4B-SC-008L | @ | F4B-SC-008L-NL | @ | F4B-SC-008L-FF |
| | 5/8 | 124099 | F4B-SC-010L | @ | F4B-SC-010L-NL | 054528 | F4B-SC-010L-FF |
| | 3/4 | 124100 | F4B-SC-012 | 052010 | F4B-SC-012-NL | 050917 | F4B-SC-012-FF |
| | 13/16 | 124567 | F4B-SC-013 | @ | F4B-SC-013-NL | @ | F4B-SC-013-FF |
| | 20mm | 125886 | F4B-SC-20M | @ | F4B-SC-20M-NL | @ | F4B-SC-20M-FF |
| 205 | 7/8 | 124101 | F4B-SC-014 | @ | F4B-SC-014-NL | @ | F4B-SC-014-FF |
| | 15/16 | 124102 | F4B-SC-015 | 126524 | F4B-SC-015-NL | @ | F4B-SC-015-FF |
| | 1 | 124103 | F4B-SC-100 | 126525 | F4B-SC-100-NL | 123007 | F4B-SC-100-FF |
| | 25mm | 125887 | F4B-SC-25M | 064943 | F4B-SC-25M-NL | @ | F4B-SC-25M-FF |
| 206 | 1-1/16 | 124218 | F4B-SC-101 | @ | F4B-SC-101-NL | @ | F4B-SC-101-FF |
| | 1-1/8 | 124204 | F4B-SC-102 | 126526 | F4B-SC-102-NL | 125156 | F4B-SC-102-FF |
| | 1-3/16 | 124205 | F4B-SC-103 | 050834 | F4B-SC-103-NL | 125148 | F4B-SC-103-FF |
| | 1-1/4 | 123173 | F4B-SC-104S | 051987 | F4B-SC-104S-NL | @ | F4B-SC-104S-FF |
| | 30mm | 125888 | F4B-SC-30M | 067874 | F4B-SC-30M-NL | @ | F4B-SC-30M-FF |
| 207 | 1-1/4 | 124206 | F4B-SC-104 | 126528 | F4B-SC-104-NL | 052508 | F4B-SC-104-FF |
| | 1-5/16 | 124219 | F4B-SC-105 | @ | F4B-SC-105-NL | @ | F4B-SC-105-FF |
| | 1-3/8 | 124207 | F4B-SC-106 | 052009 | F4B-SC-106-NL | 056757 | F4B-SC-106-FF |
| | 1-7/16 | 124208 | F4B-SC-107 | 050835 | F4B-SC-107-NL | 057696 | F4B-SC-107-FF |
| | 35mm | 125889 | F4B-SC-35M | @ | F4B-SC-35M-NL | @ | F4B-SC-35M-FF |

@ Assembled to order

| | | | |
|--------------------------------|---------------------------|------------------------|---------------------------------|
| FEATURES/BENEFITS PAGE B3-2 | NOMENCLATURE PAGE B3-4 | SELECTION PAGE B3-5 | RELATED PRODUCTS PAGE B3-133 |
|--------------------------------|---------------------------|------------------------|---------------------------------|

SELECTION/DIMENSIONS



Setscrew Ball Bearings SC NORMAL DUTY 4-BOLT FLANGE BEARINGS

| Series | Shaft Size | Weight lbs. kgs. | A | B | C | D | F Bolt Dia. | H | J | L | N |
|--------|------------|------------------|---------|-------|---------|-------|-------------|------|-------|---------|---------|
| 203 | 1/2 | 1.1 | 1 | 3 | 1-3/16 | 2-1/8 | 3/8 | 7/16 | 11/32 | 31/32 | 1-11/16 |
| | 5/8 | 1.0 | | | | | | | | | |
| | 17mm | 0.5 | 25.4 | 76.2 | 30.2 | 54.0 | M10 | 11.1 | 8.7 | 24.6 | 42.9 |
| 204 | 1/2 | 1.8 | 1-5/32 | 3-3/8 | 1-3/8 | 2-1/2 | 3/8 | 7/16 | 25/64 | 1-1/8 | 1-15/16 |
| | 5/8 | 1.7 | | | | | | | | | |
| | 3/4 | 1.6 | | | | | | | | | |
| | 13/16 | 1.5 | | | | | | | | | |
| | 20mm | 0.8 | 29.4 | 85.7 | 34.9 | 63.5 | M10 | 11.1 | 9.9 | 28.6 | 49.2 |
| 205 | 7/8 | 2.0 | 1-3/16 | 3-3/4 | 1-23/64 | 2-3/4 | 7/16 | 1/2 | 25/64 | 1-21/64 | 2-1/16 |
| | 15/16 | 1.9 | | | | | | | | | |
| | 1 | 1.8 | | | | | | | | | |
| | 25mm | 0.9 | 30.2 | 95.3 | 34.5 | 69.9 | M10 | 12.7 | 9.9 | 33.7 | 52.4 |
| 206 | 1-1/16 | 2.9 | 1-25/64 | 4-1/4 | 1-17/32 | 3-1/4 | 7/16 | 1/2 | 15/32 | 1-37/64 | 2-3/16 |
| | 1-1/8 | 2.8 | | | | | | | | | |
| | 1-3/16 | 2.7 | | | | | | | | | |
| | 1-1/4 | 2.6 | | | | | | | | | |
| | 30mm | 1.3 | 35.3 | 108.0 | 38.9 | 82.6 | M10 | 12.7 | 11.9 | 40.1 | 55.6 |
| 207 | 1-1/4 | 4.0 | 1-17/32 | 4-3/4 | 1-3/4 | 3-5/8 | 1/2 | 9/16 | 17/32 | 1-27/32 | 2-7/16 |
| | 1-5/16 | 3.9 | | | | | | | | | |
| | 1-3/8 | 3.8 | | | | | | | | | |
| | 1-7/16 | 3.7 | | | | | | | | | |
| | 35mm | 1.7 | 38.9 | 120.7 | 44.5 | 92.1 | M12 | 14.3 | 13.5 | 46.8 | 61.9 |

| | | | |
|--------------------------------|---------------------------|------------------------|---------------------------------|
| FEATURES/BENEFITS PAGE B3-2 | NOMENCLATURE PAGE B3-4 | SELECTION PAGE B3-5 | RELATED PRODUCTS PAGE B3-133 |
|--------------------------------|---------------------------|------------------------|---------------------------------|

SELECTION/DIMENSIONS

DODGE®

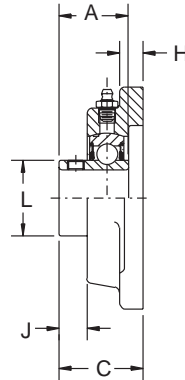
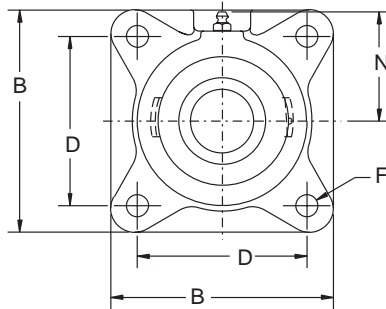


Setscrew Ball Bearings SC NORMAL DUTY 4-BOLT FLANGE BEARINGS

Lube Fitting Thread Size:

203 series - 1/4-28 tapered thread

204 series and larger - 1/8-27 NPT



| Series | Shaft Size | Standard | | No-Lube/Sealed for Life (-NL) | | With Flingers | |
|--------|------------|---------------|-------------|-------------------------------|----------------|---------------|----------------|
| | | Part No. | Description | Part No. | Description | Part No. | Description |
| 208 | 1-1/2 | 124209 | F4B-SC-108 | 051991 | F4B-SC-108-NL | 054523 | F4B-SC-108-FF |
| | 1-5/8 | 124210 | F4B-SC-110 | 052008 | F4B-SC-110-NL | @ | F4B-SC-110-FF |
| | 40mm | 125890 | F4B-SC-40M | @ | F4B-SC-40M-NL | @ | F4B-SC-40M-FF |
| 209 | 1-5/8 | 125170 | F4B-SC-110L | @ | F4B-SC-110L-NL | @ | F4B-SC-110L-FF |
| | 1-11/16 | 124211 | F4B-SC-111 | 064214 | F4B-SC-111-NL | 057850 | F4B-SC-111-FF |
| | 1-3/4 | 124212 | F4B-SC-112 | 126531 | F4B-SC-112-NL | 054839 | F4B-SC-112-FF |
| | 45mm | 125891 | F4B-SC-45M | @ | F4B-SC-45M-NL | @ | F4B-SC-45M-FF |
| 210 | 1-15/16 | 124213 | F4B-SC-115 | 051992 | F4B-SC-115-NL | 124564 | F4B-SC-115-FF |
| | 2 | 124214 | F4B-SC-200 | 050867 | F4B-SC-200-NL | 050169 | F4B-SC-200-FF |
| | 50mm | 125892 | F4B-SC-50M | 068571 | F4B-SC-50M-NL | @ | F4B-SC-50M-FF |
| 211 | 2 | 126192 | F4B-SCM-200 | 052004 | F4B-SCM-200-NL | 126132 | F4B-SCM-200-FF |
| | 2-3/16 | 124215 | F4B-SC-203 | 052007 | F4B-SC-203-NL | 124921 | F4B-SC-203-FF |
| | 2-1/4 | 124216 | F4B-SC-204 | 052006 | F4B-SC-204-NL | @ | F4B-SC-204-FF |
| | 55mm | 125893 | F4B-SC-55M | 068572 | F4B-SC-55M-NL | @ | F4B-SC-55M-FF |
| 212 | 2-1/4 | 126283 | F4B-SCM-204 | 126537 | F4B-SCM-204-NL | 054482 | F4B-SCM-204-FF |
| | 2-7/16 | 124217 | F4B-SC-207 | 050843 | F4B-SC-207-NL | 124728 | F4B-SC-207-FF |
| | 60mm | 125894 | F4B-SC-60M | @ | F4B-SC-60M-NL | @ | F4B-SC-60M-FF |
| 214 | 2-1/2 | 126195 | F4B-SCM-208 | @ | F4B-SCM-208-NL | 126326 | F4B-SCM-208-FF |
| | 2-11/16 | 124261 | F4B-SC-211 | @ | F4B-SC-211-NL | 064453 | F4B-SC-211-FF |
| | 70mm | 125895 | F4B-SC-70M | @ | F4B-SC-70M-NL | @ | F4B-SC-70M-FF |
| 215 | 2-15/16 | 124220 | F4B-SC-215 | 052291 | F4B-SC-215-NL | 068606 | F4B-SC-215-FF |
| | 75mm | 125896 | F4B-SC-75M | 068573 | F4B-SC-75M-NL | @ | F4B-SC-75M-FF |

@ Assembled to order

FEATURES/BENEFITS
PAGE B3-2

NOMENCLATURE
PAGE B3-4

SELECTION
PAGE B3-5

RELATED PRODUCTS
PAGE B3-133

SELECTION/DIMENSIONS



Setscrew Ball Bearings SC NORMAL DUTY 4-BOLT FLANGE BEARINGS

| Series | Shaft Size | Weight lbs. kgs. | A | B | C | D | F Bolt Dia. | H | J | L | N |
|--------|------------|------------------|---------|-------|---------|-------|-------------|-------|-------|---------|---------|
| 208 | 1-1/2 | 4.8 | 1-11/16 | 5-1/8 | 1-7/8 | 4 | 1/2 | 9/16 | 17/32 | 2-3/64 | 2-3/8 |
| | 1-5/8 | 4.7 | | | | | | | | | |
| | 40mm | 2.1 | 42.9 | 130.2 | 47.6 | 101.6 | M12 | 14.3 | 13.5 | 52.0 | 60.3 |
| 209 | 1-5/8 | 6.1 | 1-23/32 | 5-3/8 | 1-15/16 | 4-1/8 | 1/2 | 5/8 | 17/32 | 2-7/32 | 2-3/4 |
| | 1-11/16 | 6.0 | | | | | | | | | |
| | 1-3/4 | 5.9 | | | | | | | | | |
| | 45mm | 2.7 | 43.7 | 136.5 | 49.2 | 104.8 | M14 | 15.9 | 13.5 | 56.4 | 69.9 |
| 210 | 1-15/16 | 6.7 | 1-3/4 | 5-5/8 | 2 | 4-3/8 | 1/2 | 5/8 | 17/32 | 2-7/16 | 2-7/8 |
| | 2 | 6.6 | | | | | | | | | |
| | 50mm | 3.0 | 44.5 | 142.9 | 50.8 | 111.1 | M16 | 15.9 | 13.5 | 61.9 | 73.0 |
| 211 | 2 | 9.3 | 1-27/32 | 6-1/2 | 2-5/32 | 5-1/8 | 5/8 | 11/16 | 9/16 | 2-23/32 | 3-1/4 |
| | 2-3/16 | 9.0 | | | | | | | | | |
| | 2-1/4 | 8.9 | | | | | | | | | |
| | 55mm | 4.1 | 46.8 | 165.1 | 54.8 | 130.2 | M16 | 17.5 | 14.3 | 69.1 | 82.6 |
| 212 | 2-1/4 | 11.1 | 1-63/64 | 6-7/8 | 2-9/32 | 5-5/8 | 5/8 | 11/16 | 9/16 | 2-31/32 | 3-1/2 |
| | 2-7/16 | 10.6 | | | | | | | | | |
| | 60mm | 6.0 | 50.4 | 174.6 | 57.9 | 142.9 | M16 | 17.5 | 14.3 | 75.4 | 88.9 |
| 214 | 2-1/2 | 16.0 | 2-15/64 | 7-3/8 | 2-3/4 | 5-7/8 | 5/8 | 11/16 | 9/16 | 3-5/16 | 3-11/16 |
| | 2-11/16 | 15.4 | | | | | | | | | |
| | 70mm | 6.9 | 56.8 | 187.3 | 69.9 | 149.2 | M16 | 17.5 | 14.3 | 84.1 | 93.7 |
| 215 | 2-15/16 | 17.6 | 2-9/32 | 7-3/4 | 2-57/64 | 6 | 3/4 | 1 | 41/64 | 3-5/8 | 3-7/8 |
| | 75mm | 8.0 | 57.9 | 196.9 | 73.4 | 152.4 | M18 | 25.4 | 16.3 | 92.1 | 98.4 |

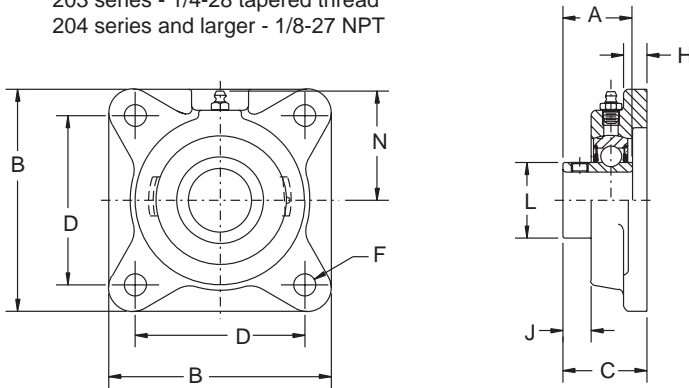
| | | | |
|--------------------------------|---------------------------|------------------------|---------------------------------|
| FEATURES/BENEFITS PAGE B3-2 | NOMENCLATURE PAGE B3-4 | SELECTION PAGE B3-5 | RELATED PRODUCTS PAGE B3-133 |
|--------------------------------|---------------------------|------------------------|---------------------------------|

SELECTION/DIMENSIONS



Setscrew Ball Bearings SCAH NORMAL DUTY AIR HANDLING 4-BOLT FLANGE BEARINGS

Lube Fitting Thread Size:
203 series - 1/4-28 tapered thread
204 series and larger - 1/8-27 NPT



| Series | Shaft Size | Part No. | Description |
|--------|------------|---------------|---------------|
| 204 | 1/2 | 051931 | F4B-SCAH-008L |
| | 5/8 | 050130 | F4B-SCAH-010L |
| | 3/4 | 123740 | F4B-SCAH-012 |
| | 20mm | @ | F4B-SCAH-20M |
| 205 | 7/8 | 068301 | F4B-SCAH-014 |
| | 15/16 | 124246 | F4B-SCAH-015 |
| | 1 | 123741 | F4B-SCAH-100 |
| | 25mm | 058736 | F4B-SCAH-25M |
| 206 | 1-1/16 | @ | F4B-SCAH-101 |
| | 1-1/8 | 064335 | F4B-SCAH-102 |
| | 1-3/16 | 123742 | F4B-SCAH-103 |
| | 1-1/4 | @ | F4B-SCAH-104S |
| 207 | 30mm | 054726 | F4B-SCAH-30M |
| | 1-1/4 | 123743 | F4B-SCAH-104 |
| | 1-5/16 | @ | F4B-SCAH-105 |
| | 1-3/8 | 068785 | F4B-SCAH-106 |
| 208 | 1-7/16 | 123744 | F4B-SCAH-107 |
| | 35mm | 064911 | F4B-SCAH-35M |
| | 1-1/2 | 123745 | F4B-SCAH-108 |
| | 1-5/8 | @ | F4B-SCAH-110 |
| | 40mm | 064912 | F4B-SCAH-40M |

@ Assembled to order

| | | | |
|--------------------------------|---------------------------|------------------------|---------------------------------|
| FEATURES/BENEFITS PAGE B3-2 | NOMENCLATURE PAGE B3-4 | SELECTION PAGE B3-5 | RELATED PRODUCTS PAGE B3-133 |
|--------------------------------|---------------------------|------------------------|---------------------------------|

SELECTION/DIMENSIONS



Setscrew Ball Bearings SCAH NORMAL DUTY AIR HANDLING 4-BOLT FLANGE BEARINGS

Bearing Quick Reference

E-Z KLEEN

GRIP TIGHT Adapter Ball Bearing

Set Screw Ball Bearing

Eccentric Collar Ball Bearing

| Series | Shaft Size | Weight lbs. kgs | A | B | C | D | F Bolt Dia. | H | J | L | N |
|--------|------------|-----------------|---------|-------|---------|-------|-------------|------|-------|---------|---------|
| 204 | 1/2 | 1.8 | 1-5/32 | 3-3/8 | 1-3/8 | 2-1/2 | 3/8 | 7/16 | 25/64 | 1-1/8 | 1-15/16 |
| | 5/8 | 1.7 | | | | | | | | | |
| | 3/4 | 1.6 | | | | | | | | | |
| | 20mm | 0.8 | 29.4 | 85.7 | 34.9 | 63.5 | M10 | 11.1 | 9.9 | 28.6 | 49.2 |
| 205 | 7/8 | 2.0 | 1-3/16 | 3-3/4 | 1-23/64 | 2-3/4 | 7/16 | 1/2 | 25/64 | 1-21/64 | 2-1/6 |
| | 15/16 | 1.9 | | | | | | | | | |
| | 1 | 1.8 | | | | | | | | | |
| | 25mm | 0.9 | 30.2 | 95.3 | 34.5 | 69.9 | M10 | 12.7 | 9.9 | 33.7 | 52.4 |
| 206 | 1-1/16 | 2.9 | 1-25/64 | 4-1/4 | 1-17/32 | 3-1/4 | 7/16 | 1/2 | 15/32 | 1-37/64 | 2-3/16 |
| | 1-1/8 | 2.8 | | | | | | | | | |
| | 1-3/16 | 2.7 | | | | | | | | | |
| | 30mm | 1.3 | 35.3 | 108.0 | 38.9 | 82.6 | M10 | 12.7 | 11.9 | 40.1 | 55.6 |
| 207 | 1-1/4 | 4.0 | 1-17/32 | 4-3/4 | 1-3/4 | 3-5/8 | 1/2 | 9/16 | 17/32 | 1-27/32 | 2-7/16 |
| | 1-5/16 | 3.9 | | | | | | | | | |
| | 1-3/8 | 3.8 | | | | | | | | | |
| | 35mm | 1.7 | 38.9 | 120.7 | 44.5 | 92.1 | M12 | 14.3 | 13.5 | 46.8 | 61.9 |
| 208 | 1-1/2 | 4.8 | 1-11/16 | 5-1/8 | 1-7/8 | 4 | 1/2 | 9/16 | 17/32 | 2-3/64 | 2-3/8 |
| | 1-5/8 | 4.7 | | | | | | | | | |
| | 40mm | 2.1 | 42.9 | 130.2 | 47.6 | 101.6 | M12 | 14.3 | 13.5 | 52.0 | 60.3 |

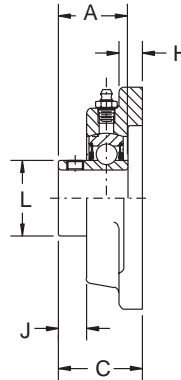
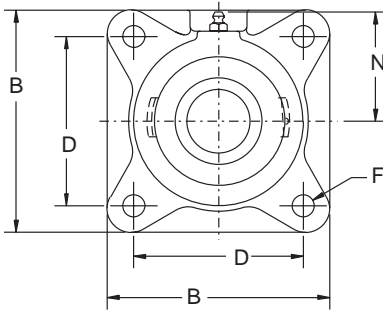
| | | | |
|--------------------------------|---------------------------|------------------------|---------------------------------|
| FEATURES/BENEFITS PAGE B3-2 | NOMENCLATURE PAGE B3-4 | SELECTION PAGE B3-5 | RELATED PRODUCTS PAGE B3-133 |
|--------------------------------|---------------------------|------------------------|---------------------------------|

SELECTION/DIMENSIONS



Setscrew Ball Bearings SCAH NORMAL DUTY AIR HANDLING 4-BOLT FLANGE BEARINGS

Lube Fitting Thread Size:
203 series - 1/4-28 tapered thread
204 series and larger - 1/8-27 NPT



| Series | Shaft Size | Part No. | Description |
|--------|------------|---------------|---------------|
| 209 | 1-5/8 | @ | F4B-SCAH-110L |
| | 1-11/16 | 123746 | F4B-SCAH-111 |
| | 1-3/4 | 123747 | F4B-SCAH-112 |
| | 45mm | @ | F4B-SCAH-45M |
| 210 | 1-15/16 | 123748 | F4B-SCAH-115 |
| | 2 | 064853 | F4B-SCAH-200 |
| | 50mm | 064913 | F4B-SCAH-50M |
| 211 | 2 | @ | F4B-SCMAH-200 |
| | 2-3/16 | 123749 | F4B-SCAH-203 |
| | 2-1/4 | @ | F4B-SCAH-204 |
| | 55mm | @ | F4B-SCAH-55M |
| 212 | 2-1/4 | @ | F4B-SCMAH-204 |
| | 2-7/16 | 123750 | F4B-SCAH-207 |
| | 60mm | @ | F4B-SCAH-60M |
| 214 | 2-1/2 | 050662 | F4B-SCMAH-208 |
| | 2-11/16 | 124395 | F4B-SCAH-211 |
| | 70mm | @ | F4B-SCAH-70M |
| 215 | 2-15/16 | 123751 | F4B-SCAH-215 |
| | 75mm | @ | F4B-SCAH-75M |

@ Assembled to order

| | | | |
|--------------------------------|---------------------------|------------------------|---------------------------------|
| FEATURES/BENEFITS PAGE B3-2 | NOMENCLATURE PAGE B3-4 | SELECTION PAGE B3-5 | RELATED PRODUCTS PAGE B3-133 |
|--------------------------------|---------------------------|------------------------|---------------------------------|

SELECTION/DIMENSIONS



Setscrew Ball Bearings SCAH NORMAL DUTY AIR HANDLING 4-BOLT FLANGE BEARINGS

Bearing Quick Reference

E-Z KLEEN

GRIP TIGHT Adapter Ball Bearing

Set Screw Ball Bearing

Eccentric Collar Ball Bearing

| Series | Shaft Size | Weight lbs. kgs | A | B | C | D | F Bolt Dia. | H | J | L | N |
|--------|------------|-----------------|---------|-------|---------|-------|-------------|-------|-------|---------|---------|
| 209 | 1-5/8 | 6.1 | 1-23/32 | 5-3/8 | 1-15/16 | 4-1/8 | 1/2 | 5/8 | 17/32 | 2-7/32 | 2-3/4 |
| | 1-11/16 | 6.0 | | | | | | | | | |
| | 1-3/4 | 5.9 | | | | | | | | | |
| | 45mm | 2.7 | 43.7 | 136.5 | 49.2 | 104.8 | M14 | 15.9 | 13.5 | 56.4 | 69.9 |
| 210 | 1-15/16 | 6.7 | 1-3/4 | 5-5/8 | 2 | 4-3/8 | 1/2 | 5/8 | 17/32 | 2-7/16 | 2-7/8 |
| | 2 | 6.6 | | | | | | | | | |
| | 50mm | 3.0 | 44.5 | 142.9 | 50.8 | 111.1 | M16 | 15.9 | 13.5 | 61.9 | 73.0 |
| 211 | 2 | 9.3 | 1-27/32 | 6-1/2 | 2-5/32 | 5-1/8 | 5/8 | 11/16 | 9/16 | 2-23/32 | 3-1/4 |
| | 2-3/16 | 9.0 | | | | | | | | | |
| | 2-1/4 | 8.9 | | | | | | | | | |
| | 55mm | 4.1 | 46.8 | 165.1 | 54.8 | 130.2 | M16 | 17.5 | 14.3 | 69.1 | 82.6 |
| 212 | 2-1/4 | 11.1 | 1-63/64 | 6-7/8 | 2-9/32 | 5-5/8 | 5/8 | 11/16 | 9/16 | 2-31/32 | 3-1/2 |
| | 2-7/16 | 10.6 | | | | | | | | | |
| | 60mm | 6.0 | 50.4 | 174.6 | 57.9 | 142.9 | M16 | 7.5 | 14.3 | 75.4 | 88.9 |
| 214 | 2-1/2 | 16.0 | 2-15/64 | 7-3/8 | 2-3/4 | 5-7/8 | 5/8 | 11/16 | 9/16 | 3-5/16 | 3-11/16 |
| | 2-11/16 | 15.4 | | | | | | | | | |
| | 70mm | 6.9 | 56.8 | 187.3 | 69.9 | 149.2 | M16 | 17.5 | 14.3 | 84.1 | 93.7 |
| 215 | 2-15/16 | 17.6 | 2-9/32 | 7-3/4 | 2-57/64 | 6 | 3/4 | 1 | 41/64 | 3-5/8 | 3-7/8 |
| | 75mm | 8.0 | 57.9 | 196.9 | 73.4 | 152.4 | M18 | 25.4 | 16.3 | 92.1 | 98.4 |

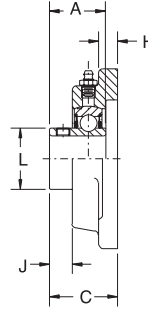
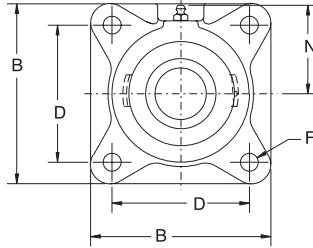
| | | | |
|--------------------------------|---------------------------|------------------------|---------------------------------|
| FEATURES/BENEFITS PAGE B3-2 | NOMENCLATURE PAGE B3-4 | SELECTION PAGE B3-5 | RELATED PRODUCTS PAGE B3-133 |
|--------------------------------|---------------------------|------------------------|---------------------------------|

SELECTION/DIMENSIONS



Setscrew Ball Bearings SCM MEDIUM DUTY 4-BOLT FLANGE BEARINGS

Lube Fitting Thread Size:
203 - 204 series - 1/4-28 tapered thread
207 - 207 series - 1/8-27 NPT



| Series | Shaft Size | Standard | | No-Lube/Sealed for Life (-NL) | | With Flingers | |
|--------|--------------------------|---------------|--------------------|-------------------------------|-----------------------|---------------|-----------------------|
| | | Part No. | Description | Part No. | Description | Part No. | Description |
| 206 | 1 25mm | 126226 | F4B-SCM-100 | 052017 | F4B-SCM-100-NL | @ | F4B-SCM-100-FF |
| | | 125965 | <i>F4B-SCM-25M</i> | @ | <i>F4B-SCM-25M-NL</i> | @ | <i>F4B-SCM-25M-FF</i> |
| 207 | 1-3/16 1-1/4 30mm | 126227 | F4B-SCM-103 | @ | F4B-SCM-103-NL | 064681 | F4B-SCM-103-FF |
| | | 124206 | F4B-SC-104 | 126528 | F4B-SC-104-NL | 052508 | F4B-SC-104-FF |
| | | 125966 | <i>F4B-SCM-30M</i> | @ | <i>F4B-SCM-30M-NL</i> | @ | <i>F4B-SCM-30M-FF</i> |
| 208 | 1-7/16 35mm | 126187 | F4B-SCM-107 | @ | F4B-SCM-107-NL | 053197 | F4B-SCM-107-FF |
| | | 125967 | <i>F4B-SCM-35M</i> | @ | <i>F4B-SCM-35M-NL</i> | @ | <i>F4B-SCM-35M-FF</i> |
| 209 | 1-1/2 1-5/8 40mm | 126188 | F4B-SCM-108 | 062897 | F4B-SCM-108-NL | 054856 | F4B-SCM-108-FF |
| | | 125170 | F4B-SC-110L | @ | F4B-SC-110L-NL | @ | F4B-SC-110L-FF |
| | | 125968 | <i>F4B-SCM-40M</i> | @ | <i>F4B-SCM-40M-NL</i> | @ | <i>F4B-SCM-40M-FF</i> |
| 210 | 1-11/16 1-3/4 45mm | 126189 | F4B-SCM-111 | 065576 | F4B-SCM-111-NL | 050137 | F4B-SCM-111-FF |
| | | 126190 | F4B-SCM-112 | @ | F4B-SCM-112-NL | 126274 | F4B-SCM-112-FF |
| | | 125969 | <i>F4B-SCM-45M</i> | @ | <i>F4B-SCM-45M-NL</i> | @ | <i>F4B-SCM-45M-FF</i> |
| 211 | 1-15/16 2 50mm | 126191 | F4B-SCM-115 | 052302 | F4B-SCM-115-NL | 126115 | F4B-SCM-115-FF |
| | | 126192 | F4B-SCM-200 | 052004 | F4B-SCM-200-NL | 126132 | F4B-SCM-200-FF |
| | | 125970 | <i>F4B-SCM-50M</i> | @ | <i>F4B-SCM-50M-NL</i> | @ | <i>F4B-SCM-50M-FF</i> |
| 212 | 2-3/16 2-1/4 55mm | 126193 | F4B-SCM-203 | 052003 | F4B-SCM-203-NL | 050276 | F4B-SCM-203-FF |
| | | 126283 | F4B-SCM-204 | 126537 | F4B-SCM-204-NL | 054482 | F4B-SCM-204-FF |
| | | 125971 | <i>F4B-SCM-55M</i> | @ | <i>F4B-SCM-55M-NL</i> | @ | <i>F4B-SCM-55M-FF</i> |
| 214 | 2-7/16 2-1/2 65mm | 126194 | F4B-SCM-207 | 052002 | F4B-SCM-207-NL | 126116 | F4B-SCM-207-FF |
| | | 126195 | F4B-SCM-208 | 065653 | F4B-SCM-208-NL | 126326 | F4B-SCM-208-FF |
| | | 125972 | <i>F4B-SCM-65M</i> | @ | <i>F4B-SCM-65M-NL</i> | @ | <i>F4B-SCM-65M-FF</i> |
| 215 | 2-11/16 70mm | 126186 | F4B-SCM-211 | @ | F4B-SCM-211-NL | 064715 | F4B-SCM-211-FF |
| | | 125973 | <i>F4B-SCM-70M</i> | @ | <i>F4B-SCM-70M-NL</i> | @ | <i>F4B-SCM-70M-FF</i> |
| 216 | 2-15/16 3 75mm | 126196 | F4B-SCM-215 | 126538 | F4B-SCM-215-NL | 051599 | F4B-SCM-215-FF |
| | | 126197 | F4B-SCM-300 | 126539 | F4B-SCM-300-NL | 126781 | F4B-SCM-300-FF |
| | | 125974 | <i>F4B-SCM-75M</i> | @ | <i>F4B-SCM-75M-NL</i> | @ | <i>F4B-SCM-75M-FF</i> |
| 218 | 3-7/16 3-1/2 85mm | 126198 | F4B-SCM-307 | 126540 | F4B-SCM-307-NL | 126271 | F4B-SCM-307-FF |
| | | 126199 | F4B-SCM-308 | 126541 | F4B-SCM-308-NL | 056713 | F4B-SCM-308-FF |
| | | 125975 | <i>F4B-SCM-85M</i> | @ | <i>F4B-SCM-85M-NL</i> | @ | <i>F4B-SCM-85M-FF</i> |

@ Assembled to order

| | | | |
|--------------------------------|---------------------------|------------------------|---------------------------------|
| FEATURES/BENEFITS PAGE B3-2 | NOMENCLATURE PAGE B3-4 | SELECTION PAGE B3-5 | RELATED PRODUCTS PAGE B3-133 |
|--------------------------------|---------------------------|------------------------|---------------------------------|

SELECTION/DIMENSIONS



Setscrew Ball Bearings SCM MEDIUM DUTY 4-BOLT FLANGE BEARINGS

| Series | Shaft Size | Weight lbs. kgs. | A | B | C | D | F Bolt Dia. | H | J | L | N |
|--------|---------------|------------------|---------|--------|---------|-------|-------------|-------|-------|---------|---------|
| 206 | 1 | 3.0 | 1-25/64 | 4-1/4 | 1-17/32 | 3-1/4 | 7/16 | 1/2 | 15/32 | 1-37/64 | 2-3/16 |
| | 25mm | 1.3 | 35.3 | 108.0 | 38.9 | 82.6 | M10 | 12.7 | 11.9 | 40.1 | 55.6 |
| 207 | 1-3/16 | 4.1 | 1-17/32 | 4-3/4 | 1-3/4 | 3-5/8 | 1/2 | 9/16 | 17/32 | 1-27/32 | 2-7/16 |
| | 1-1/4 30mm | 4.0 1.4 | 38.9 | 120.7 | 44.5 | 92.1 | M12 | 14.3 | 13.5 | 46.8 | 61.9 |
| 208 | 1-7/16 | 5.0 | 1-11/16 | 5-1/8 | 1-7/8 | 4 | 1/2 | 9/16 | 17/32 | 2-3/64 | 2-3/8 |
| | 35mm | 2.1 | 42.9 | 130.2 | 47.6 | 101.6 | M12 | 14.3 | 13.5 | 52.0 | 60.3 |
| 209 | 1-1/2 | 6.1 | 1-23/32 | 5-3/8 | 1-15/16 | 4-1/8 | 1/2 | 5/8 | 17/32 | 2-7/32 | 2-3/4 |
| | 1-5/8 40mm | 6.1 2.7 | 43.7 | 136.5 | 49.2 | 104.8 | M14 | 15.9 | 13.5 | 56.4 | 69.9 |
| 210 | 1-11/16 | 7.1 | 1-3/4 | 5-5/8 | 2 | 4-3/8 | 1/2 | 5/8 | 17/32 | 2-7/16 | 2-7/8 |
| | 1-3/4 45mm | 6.9 3.0 | 44.5 | 142.9 | 50.8 | 111.1 | M16 | 15.9 | 13.5 | 61.9 | 73.0 |
| 211 | 1-15/16 | 9.5 | 1-27/32 | 6-1/2 | 2-5/32 | 5-1/8 | 5/8 | 11/16 | 9/16 | 2-23/32 | 3-1/4 |
| | 2 50mm | 9.3 4.1 | 46.8 | 165.1 | 54.8 | 130.2 | M16 | 17.5 | 14.3 | 69.1 | 82.6 |
| 212 | 2-3/16 | 11.3 | 1-63/64 | 6-7/8 | 2-9/32 | 5-5/8 | 5/8 | 11/16 | 9/16 | 2-31/32 | 3-1/2 |
| | 2-1/4 55mm | 11.1 6.0 | 50.4 | 174.6 | 57.9 | 142.9 | M16 | 17.5 | 14.3 | 75.4 | 88.9 |
| 214 | 2-7/16 | 16.2 | 2-15/64 | 7-3/8 | 2-3/4 | 5-7/8 | 5/8 | 11/16 | 9/16 | 3-5/16 | 3-11/16 |
| | 2-1/2 65mm | 16.0 7.3 | 56.8 | 187.3 | 69.9 | 149.2 | M16 | 17.5 | 14.3 | 84.1 | 93.7 |
| 215 | 2-11/16 | 18.3 | 2-9/32 | 7-3/4 | 2-57/64 | 6.0 | 3/4 | 1 | 41/64 | 3-5/8 | 3-7/8 |
| | 70mm | 8.0 | 57.9 | 196.9 | 73.4 | 152.4 | M18 | 25.4 | 16.3 | 92.1 | 98.4 |
| 216 | 2-15/16 | 21.5 | 2-11/32 | 7-3/4 | 3-3/32 | 6 | 3/4 | 7/8 | 19/32 | 3-53/64 | 4-3/32 |
| | 3 75mm | 21.2 9.4 | 59.5 | 196.9 | 78.6 | 152.4 | M18 | 22.2 | 15.1 | 97.2 | 104.0 |
| 218 | 3-7/16 | 28.0 | 2-31/64 | 8-7/16 | 3-11/32 | 6-3/4 | 3/4 | 1 | 9/16 | 4-23/64 | 4-5/8 |
| | 3-1/2 85mm | 27.4 12.2 | 63.1 | 214.3 | 84.9 | 171.5 | M18 | 25.4 | 14.3 | 110.7 | 117.5 |

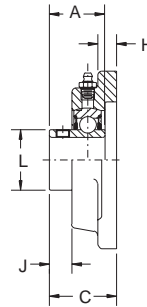
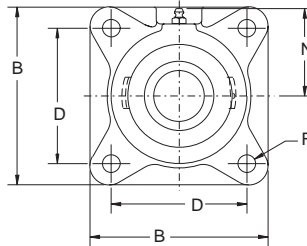
| | | | |
|--------------------------------|---------------------------|------------------------|---------------------------------|
| FEATURES/BENEFITS PAGE B3-2 | NOMENCLATURE PAGE B3-4 | SELECTION PAGE B3-5 | RELATED PRODUCTS PAGE B3-133 |
|--------------------------------|---------------------------|------------------------|---------------------------------|

SELECTION/DIMENSIONS



Setscrew Ball Bearings SCMAH AIR HANDLING MEDIUM DUTY 4-BOLT FLANGE BEARINGS

Lube Fitting Thread Size:
203 series - 1/4-28 tapered thread
204 series and larger - 1/8-27 NPT



| Series | Shaft Size | Part No. | Description |
|--------|------------|---------------|---------------|
| 206 | 1 | 053901 | F4B-SCMAH-100 |
| | 25mm | @ | F4B-SCMAH-25M |
| 207 | 1-3/16 | 050132 | F4B-SCMAH-103 |
| | 1-1/4 | 123743 | F4B-SCAH-104 |
| | 30mm | @ | F4B-SCMAH-30M |
| 208 | 1-7/16 | 123760 | F4B-SCMAH-107 |
| | 35mm | @ | F4B-SCMAH-35M |
| 209 | 1-1/2 | 123761 | F4B-SCMAH-108 |
| | 1-5/8 | @ | F4B-SCAH-110L |
| | 40mm | @ | F4B-SCMAH-40M |
| 210 | 1-11/16 | 123762 | F4B-SCMAH-111 |
| | 1-3/4 | 123763 | F4B-SCMAH-112 |
| | 45mm | 067829 | F4B-SCMAH-45M |
| 211 | 1-15/16 | 123764 | F4B-SCMAH-115 |
| | 2 | @ | F4B-SCMAH-200 |
| | 50mm | @ | F4B-SCMAH-50M |
| 212 | 2-3/16 | 123765 | F4B-SCMAH-203 |
| | 2-1/4 | 064586 | F4B-SCMAH-204 |
| | 55mm | @ | F4B-SCMAH-55M |
| 214 | 2-7/16 | 123766 | F4B-SCMAH-207 |
| | 2-1/2 | 050662 | F4B-SCMAH-208 |
| | 65mm | @ | F4B-SCMAH-65M |
| 215 | 2-11/16 | 123767 | F4B-SCMAH-211 |
| | 70mm | @ | F4B-SCMAH-70M |
| 216 | 2-15/16 | 123768 | F4B-SCMAH-215 |
| | 3 | @ | F4B-SCMAH-300 |
| | 75mm | @ | F4B-SCM-75M |
| 218 | 3-7/16 | 123769 | F4B-SCMAH-307 |
| | 3-1/2 | 057709 | F4B-SCMAH-308 |
| | 85mm | @ | F4B-SCMAH-85M |

@ Assembled to order

| | | | |
|--------------------------------|---------------------------|------------------------|---------------------------------|
| FEATURES/BENEFITS PAGE B3-2 | NOMENCLATURE PAGE B3-4 | SELECTION PAGE B3-5 | RELATED PRODUCTS PAGE B3-133 |
|--------------------------------|---------------------------|------------------------|---------------------------------|

SELECTION/DIMENSIONS



Setscrew Ball Bearings SCMAH AIR HANDLING MEDIUM DUTY 4-BOLT FLANGE BEARINGS

| Series | Shaft Size | Weight lbs kgs | A | B | C | D | F Bolt Dia. | H | J | L | N |
|--------|---------------|----------------------|---------|--------|---------|-------|-------------------|-------|-------|---------|---------|
| 206 | 1 | 3.0 | 1-25/64 | 4-1/4 | 1-17/32 | 3-1/4 | 7/16 | 1/2 | 15/32 | 1-37/64 | 2-3/16 |
| | 25mm | 1.3 | 35.3 | 108.0 | 38.9 | 82.6 | M10 | 12.7 | 11.9 | 40.1 | 55.6 |
| 207 | 1-3/16 | 4.1 | 1-17/32 | 4-3/4 | 1-3/4 | 3-5/8 | 1/2 | 9/16 | 17/32 | 1-27/32 | 2-7/16 |
| | 1-1/4 30mm | 1.7 | 38.9 | 120.7 | 44.5 | 92.1 | M12 | 14.3 | 13.5 | 46.8 | 61.9 |
| 208 | 1-7/16 | 5.0 | 1-11/16 | 5-1/8 | 1-7/8 | 4 | 1/2 | 9/16 | 17/32 | 2-3/64 | 2-3/8 |
| | 35mm | 2.1 | 42.9 | 130.2 | 47.6 | 101.6 | M12 | 14.3 | 13.5 | 52.0 | 60.3 |
| 209 | 1-1/2 | 6.1 | 1-23/32 | 5-3/8 | 1-15/16 | 4-1/8 | 1/2 | 5/8 | 17/32 | 2-7/32 | 2-3/4 |
| | 1-5/8 40mm | 2.7 | 43.7 | 136.5 | 49.2 | 104.8 | M14 | 15.9 | 13.5 | 56.4 | 69.9 |
| 210 | 1-11/16 | 7.1 | 1-3/4 | 5-5/8 | 2 | 4-3/8 | 1/2 | 5/8 | 17/32 | 2-7/16 | 2-7/8 |
| | 1-3/4 45mm | 3.0 | 44.5 | 142.9 | 50.8 | 111.1 | M16 | 15.9 | 13.5 | 61.9 | 73.0 |
| 211 | 1-15/16 | 9.5 | 1-27/32 | 6-1/2 | 2-5/32 | 5-1/8 | 5/8 | 11/16 | 9/16 | 2-23/32 | 3-1/4 |
| | 2 50mm | 4.1 | 46.8 | 165.1 | 54.8 | 130.2 | M16 | 17.5 | 14.3 | 69.1 | 82.6 |
| 212 | 2-3/16 | 11.3 | 1-63/64 | 6-7/8 | 2-9/32 | 5-5/8 | 5/8 | 11/16 | 9/16 | 2-31/32 | 3-1/2 |
| | 2-1/4 55mm | 6.0 | 50.4 | 174.6 | 57.9 | 142.9 | M16 | 17.5 | 14.3 | 75.4 | 88.9 |
| 214 | 2-7/16 | 16.2 | 2-15/64 | 7-3/8 | 2-3/4 | 5-7/8 | 5/8 | 11/16 | 9/16 | 3-5/16 | 3-11/16 |
| | 2-1/2 65mm | 7.3 | 56.8 | 187.3 | 69.9 | 149.2 | M16 | 17.5 | 14.3 | 84.1 | 93.7 |
| 215 | 2-11/16 | 18.3 | 2-9/32 | 7-3/4 | 2-57/64 | 6 | 3/4 | 1 | 41/64 | 3-5/8 | 3-7/8 |
| | 70mm | 8.0 | 57.9 | 196.9 | 73.4 | 152.4 | M18 | 25.4 | 16.3 | 92.1 | 98.4 |
| 216 | 2-15/16 | 21.5 | 2-11/32 | 7-3/4 | 3-3/32 | 6 | 3/4 | 7/8 | 19/32 | 3-53/64 | 4-3/32 |
| | 3 75mm | 9.4 | 59.5 | 196.9 | 78.6 | 152.4 | M18 | 22.2 | 15.1 | 97.2 | 104.0 |
| 218 | 3-7/16 | 28.0 | 2-31/64 | 8-7/16 | 3-11/32 | 6-3/4 | 3/4 | 1 | 9/16 | 4-23/64 | 4-5/8 |
| | 3-1/2 85mm | 12.2 | 63.1 | 214.3 | 84.9 | 171.5 | M18 | 25.4 | 14.3 | 110.7 | 117.5 |

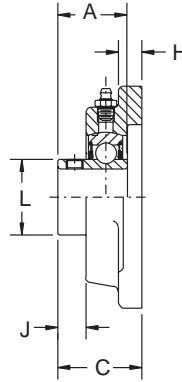
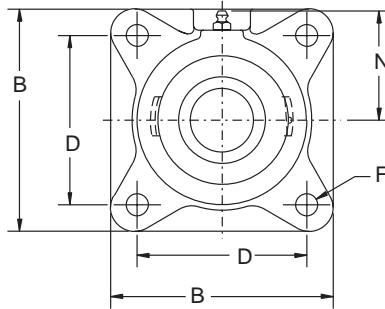
| | | | |
|--------------------------------|---------------------------|------------------------|---------------------------------|
| FEATURES/BENEFITS PAGE B3-2 | NOMENCLATURE PAGE B3-4 | SELECTION PAGE B3-5 | RELATED PRODUCTS PAGE B3-133 |
|--------------------------------|---------------------------|------------------------|---------------------------------|

SELECTION/DIMENSIONS



Setscrew Ball Bearings VSC INTERMEDIATE DUTY 4-BOLT FLANGE BEARINGS

Lube Fitting Thread Size:
203 series - 1/4-28 tapered thread
204 series and larger - 1/8-27 NPT



| Series | Shaft Size | Standard | | No-Lube/Sealed for Life (-NL) | |
|--------|------------|---------------|--------------|-------------------------------|-----------------|
| | | Part No. | Description | Part No. | Description |
| 203 | 1/2 | 125524 | F4B-VSC-008 | @ | F4B-VSC-008-NL |
| | 5/8 | 125525 | F4B-VSC-010 | @ | F4B-VSC-010-NL |
| | 17mm | 125694 | F4B-VSC-17M | @ | F4B-VSC-17MNL |
| 204 | 3/4 | 123625 | F4B-VSC-012 | @ | F4B-VSC-012-NL |
| | 20mm | 125695 | F4B-VSC-20M | @ | F4B-VSC-20M-NL |
| 205 | 7/8 | 125526 | F4B-VSC-014 | @ | F4B-VSC-014-NL |
| | 15/16 | 125527 | F4B-VSC-015 | @ | F4B-VSC-015-NL |
| | 1 | 123626 | F4B-VSC-100 | 062509 | F4B-VSC-100-NL |
| | 25mm | 125696 | F4B-VSC-25M | @ | F4B-VSC-25M-NL |
| 206 | 1-1/8 | 125528 | F4B-VSC-102 | @ | F4B-VSC-102-NL |
| | 1-3/16 | 123627 | F4B-VSC-103 | @ | F4B-VSC-103-NL |
| | 1-1/4 | 123634 | F4B-VSC-104S | @ | F4B-VSC-104S-NL |
| | 30mm | 125697 | F4B-VSC-30M | @ | F4B-VSC-30M-NL |
| 207 | 1-1/4 | 123628 | F4B-VSC-104 | 051891 | F4B-VSC-104-NL |
| | 1-3/8 | 125529 | F4B-VSC-106 | @ | F4B-VSC-106-NL |
| | 1-7/16 | 123629 | F4B-VSC-107 | 050844 | F4B-VSC-107-NL |
| | 35mm | 125698 | F4B-VSC-40M | @ | F4B-VSC-40M-NL |
| 208 | 1-1/2 | 123630 | F4B-VSC-108 | 051892 | F4B-VSC-108-NL |
| | 40mm | 125699 | F4B-VSC-40M | @ | F4B-VSC-40M-NL |
| 209 | 1-11/16 | 125530 | F4B-VSC-111 | 050836 | F4B-VSC-111-NL |
| | 1-3/4 | 125531 | F4B-VSC-112 | @ | F4B-VSC-112-NL |
| | 45mm | 125700 | F4B-VSC-45M | @ | F4B-VSC-45M-NL |
| 210 | 1-15/16 | 123631 | F4B-VSC-115 | @ | F4B-VSC-115-NL |
| | 2 | 123632 | F4B-VSC-200 | 068716 | F4B-VSC-200-NL |
| | 50mm | 125701 | F4B-VSC-50M | @ | F4B-VSC-50M-NL |
| 211 | 2 | 123652 | F4B-VSC-200L | @ | F4B-VSC-200L-NL |
| | 2-3/16 | 123633 | F4B-VSC-203 | 068809 | F4B-VSC-203-NL |
| | 55mm | 125702 | F4B-VSC-55M | @ | F4B-VSC-55M-NL |

@Assembled to order

| | | | |
|--------------------------------|---------------------------|------------------------|---------------------------------|
| FEATURES/BENEFITS PAGE B3-2 | NOMENCLATURE PAGE B3-4 | SELECTION PAGE B3-5 | RELATED PRODUCTS PAGE B3-133 |
|--------------------------------|---------------------------|------------------------|---------------------------------|

SELECTION/DIMENSIONS



Setscrew Ball Bearings VSC INTERMEDIATE DUTY 4-BOLT FLANGE BEARINGS

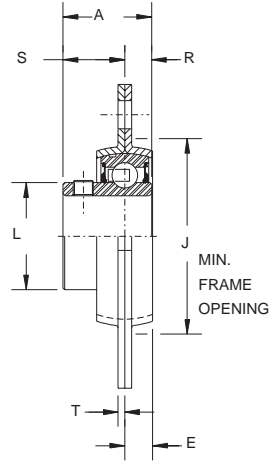
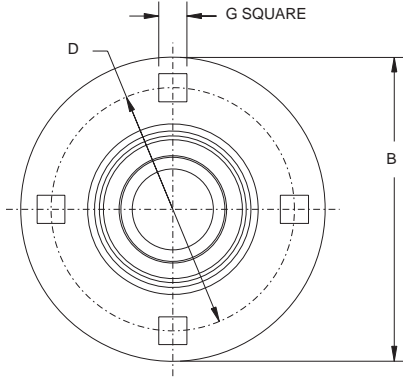
| Series | Shaft Size | Weight lbs. kg | A | B | C | D | F Bolt Dia. | H | J | L | N |
|--------|------------|-------------------|---------|-------|---------|-------|-------------|-------|-------|---------|---------|
| 203 | 1/2 | 1.08 | 15/16 | 3 | 1-3/16 | 2-1/8 | 3/8 | 7/16 | 11/32 | 31/32 | 1-11/16 |
| | 5/8 | 1.00 | | | | | | | | | |
| | 17mm | 0.48 | 23.8 | 76.2 | 30.2 | 54.0 | M10 | 11.1 | 8.7 | 24.6 | 42.9 |
| 204 | 3/4 | 1.50 | 1-1/16 | 3-3/8 | 1-3/8 | 2-1/2 | 3/8 | 7/16 | 25/64 | 1-1/8 | 1-15/16 |
| | 20mm | 0.67 | 27.0 | 85.7 | 34.9 | 63.5 | M10 | 11.1 | 9.9 | 28.6 | 49.2 |
| 205 | 7/8 | 1.98 | 1-3/32 | 3-3/4 | 1-23/64 | 2-3/4 | 7/16 | 1/2 | 25/64 | 1-21/64 | 2-1/16 |
| | 15/16 | 1.86 | | | | | | | | | |
| | 1 | 1.62 | | | | | | | | | |
| 206 | 25mm | 0.84 | 27.8 | 95.3 | 34.5 | 69.9 | M10 | 12.7 | 9.9 | 33.7 | 52.4 |
| | 1-1/8 | 2.78 | 1-19/64 | 4-1/4 | 1-17/32 | 3-1/4 | 7/16 | 1/2 | 15/32 | 1-37/64 | 2-3/16 |
| | 1-3/16 | 2.68 | | | | | | | | | |
| 207 | 1-1/4 | 2.50 | | | | | | | | | |
| | 1-3/8 | 2.88 | 1-7/16 | 4-3/4 | 1-3/4 | 3-5/8 | 1/2 | 9/16 | 17/32 | 1-27/32 | 2-7/16 |
| | 1-7/16 | 2.50 | | | | | | | | | |
| 208 | 35mm | 1.28 | 36.5 | 120.7 | 44.5 | 92.1 | M12 | 14.3 | 13.5 | 46.8 | 61.9 |
| | 1-1/2 | 4.50 | 1-9/16 | 5-1/8 | 1-7/8 | 4 | 1/2 | 9/16 | 17/32 | 2-3/64 | 2-3/8 |
| | 40mm | 2.00 | 39.7 | 130.2 | 47.6 | 101.6 | M12 | 14.3 | 13.5 | 52.0 | 60.3 |
| 209 | 1-11/16 | 5.45 | 1-19/32 | 5-3/8 | 1-15/16 | 4-1/8 | 1/2 | 5/8 | 17/32 | 2-7/32 | 2-3/4 |
| | 1-3/4 | 5.35 | | | | | | | | | |
| 210 | 45mm | 2.42 | 40.5 | 136.5 | 49.2 | 104.8 | M14 | 15.9 | 13.5 | 56.4 | 69.9 |
| | 1-15/16 | 6.25 | 1-5/8 | 5-5/8 | 2 | 4-3/8 | 1/2 | 5/8 | 17/32 | 2-7/16 | 2-7/8 |
| | 2 | 6.00 | | | | | | | | | |
| 211 | 50mm | 2.33 | 41.3 | 142.9 | 50.8 | 111.1 | M16 | 15.9 | 13.5 | 61.9 | 73.0 |
| | 2 | 9.28 | 1-23/32 | 6-1/2 | 2-5/32 | 5-1/8 | 5/8 | 11/16 | 9/16 | 2-23/32 | 3-1/4 |
| | 2-3/16 | 9.00 | | | | | | | | | |
| | 55mm | 4.12 | 43.7 | 165.1 | 54.8 | 130.2 | M16 | 17.5 | 14.3 | 69.1 | 82.6 |

| | | | |
|--------------------------------|---------------------------|------------------------|---------------------------------|
| FEATURES/BENEFITS PAGE B3-2 | NOMENCLATURE PAGE B3-4 | SELECTION PAGE B3-5 | RELATED PRODUCTS PAGE B3-133 |
|--------------------------------|---------------------------|------------------------|---------------------------------|

SELECTION/DIMENSIONS



Setscrew Ball Bearings SL LIGHT DUTY 4-BOLT FLANGE BEARINGS



| Series | Shaft Size | Part No. | Description |
|--------|----------------------|-------------------------------------|---|
| 208 | 1-1/2 40mm | 128088 067868 | F4B-SL-108 F4B-SL-40M |
| 210 | 1-15/16 2 50mm | 128089 128090 @ | F4B-SL-115 F4B-SL-200 F4B-SL-50M |
| 211 | 2 2-3/16 55mm | 128182 128091 @ | F4B-SL-200L F4B-SL-203 F4B-SL-55M |

@ Assembled to order

| | | | |
|--------------------------------|---------------------------|------------------------|---------------------------------|
| FEATURES/BENEFITS PAGE B3-2 | NOMENCLATURE PAGE B3-4 | SELECTION PAGE B3-5 | RELATED PRODUCTS PAGE B3-133 |
|--------------------------------|---------------------------|------------------------|---------------------------------|

SELECTION/DIMENSIONS



Setscrew Ball Bearings SL LIGHT DUTY 4-BOLT FLANGE BEARINGS

| Series | Shaft Size | Weight lbs. kg. | A | B | D | E | G* | J | L | R | S | T | Load Rating (lbs) |
|--------|------------|-----------------|---------|---------|---------|-------|-------|--------|---------|-------|--------|-------|-------------------|
| 208 | 1-1/2 | 2.64 | 1-9/16 | 5-13/16 | 4-11/16 | 13/32 | 17/32 | 3-9/16 | 2-3/64 | 15/32 | 13/32 | 0.134 | 1,700 |
| | 40mm | 1.15 | 39.7 | 147.6 | 119.1 | 10.3 | 13.5 | 1.55 | 52.0 | 11.3 | 27.8 | 3.4 | 7,556 |
| 210 | 1-15/16 | 2.95 | 1-5/8 | 6-1/8 | 5 | 7/16 | 17/32 | 4 | 2-7/16 | 15/32 | 1-5/32 | 0.149 | 1,900 |
| | 2 | 2.86 | 41.3 | 155.6 | 127.0 | 11.1 | 13.5 | 1.74 | 61.9 | 11.3 | 29.4 | 3.8 | 8,444 |
| 211 | 50mm | 1.28 | 43.7 | 166.7 | 138.1 | 11.9 | 13.5 | 1.93 | 69.1 | 12.7 | 31.0 | 3.8 | 10,222 |
| | 2 | 3.73 | 1-23/32 | 6-9/16 | 5-7/16 | 15/32 | 17/32 | 4-7/16 | 2-23/32 | 1/2 | 1-7/32 | 0.149 | 2,300 |
| | 2-3/16 | 3.63 | 43.7 | 166.7 | 138.1 | 11.9 | 13.5 | 1.93 | 69.1 | 12.7 | 31.0 | 3.8 | 10,222 |
| | 55mm | 1.62 | 43.7 | 166.7 | 138.1 | 11.9 | 13.5 | 1.93 | 69.1 | 12.7 | 31.0 | 3.8 | 10,222 |

* Mounting bolt holes will accept either carriage or machine bolts.

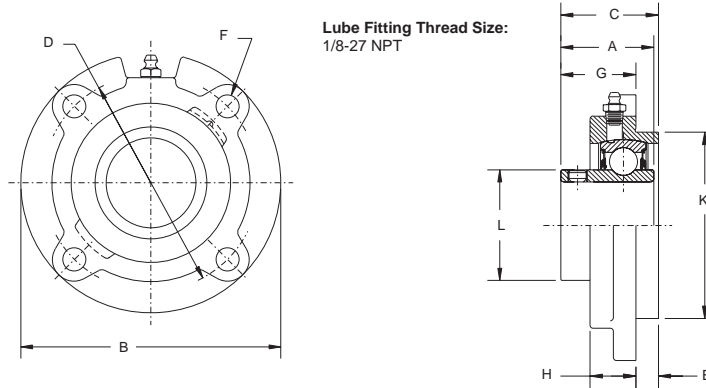
| | | | |
|--------------------------------|---------------------------|------------------------|---------------------------------|
| FEATURES/BENEFITS PAGE B3-2 | NOMENCLATURE PAGE B3-4 | SELECTION PAGE B3-5 | RELATED PRODUCTS PAGE B3-133 |
|--------------------------------|---------------------------|------------------------|---------------------------------|

SELECTION/DIMENSIONS

DODGE®



Setscrew Ball Bearings SC NORMAL DUTY PILOTED FLANGE BEARINGS



| Series | Shaft Size | Part No. | Description |
|--------|------------|---------------|-------------|
| 206 | 1-1/16 | 124578 | FC-SC-101 |
| | 1-1/8 | 124582 | FC-SC-102 |
| | 1-3/16 | 124579 | FC-SC-103 |
| | 1-1/4 | 124587 | FC-SC-104S |
| | 30mm | 125865 | FC-SC-30M |
| 207 | 1-1/4 | 124224 | FC-SC-104 |
| | 1-5/16 | 124237 | FC-SC-105 |
| | 1-3/8 | 124235 | FC-SC-106 |
| | 1-7/16 | 124236 | FC-SC-107 |
| | 35mm | 125866 | FC-SC-35M |
| 208 | 1-1/2 | 124225 | FC-SC-108 |
| | 1-5/8 | 124226 | FC-SC-110 |
| 209 | 40mm | 125867 | FC-SC-40M |
| | 1-5/8 | 065644 | FC-SC-110L |
| | 1-11/16 | 124227 | FC-SC-111 |
| | 1-3/4 | 124228 | FC-SC-112 |
| 210 | 45mm | 125868 | FC-SC-45M |
| | 1-15/16 | 124229 | FC-SC-115 |
| | 2 | 124230 | FC-SC-200 |
| 211 | 50mm | 125869 | FC-SC-50M |
| | 2 | 126175 | FC-SCM-200 |
| | 2-3/16 | 124231 | FC-SC-203 |
| | 2-1/4 | 124232 | FC-SC-204 |
| 212 | 55mm | 125870 | FC-SC-55M |
| | 2-1/4 | 126177 | FC-SCM-204 |
| | 2-7/16 | 124233 | FC-SC-207 |
| 214 | 60mm | 125871 | FC-SC-60M |
| | 2-1/2 | 126179 | FC-SCM-208 |
| | 2-11/16 | 124729 | FC-SC-211 |
| | 70mm | 125872 | FC-SC-70M |

@ Assembled to order

FEATURES/BENEFITS
PAGE B3-2

NOMENCLATURE
PAGE B3-4

SELECTION
PAGE B3-5

RELATED PRODUCTS
PAGE B3-133

SELECTION/DIMENSIONS



Setscrew Ball Bearings SC NORMAL DUTY PILOTED FLANGE BEARINGS

| Series | Shaft Size | Weight lbs. kgs. | A | B | C | D | E | F Bolt Dia. | G | H | K* | L |
|--------|------------|------------------|---------|-------|---------|--------|-------|-------------|---------|--------|-------|---------|
| 206 | 1-1/16 | 3.2 | 1-25/64 | 4-3/8 | 1-1/2 | 3-5/8 | 1/4 | 3/8 | 1-1/4 | 13/16 | 3 | 1-37/64 |
| | 1-1/8 | 3.1 | | | | | | | | | | |
| | 1-3/16 | 3.0 | | | | | | | | | | |
| | 1-1/4 | 2.9 | | | | | | | | | | |
| | 30mm | 1.3 | 35.3 | 111.1 | 38.1 | 92.1 | 6.4 | M10 | 31.8 | 20.6 | 76.2 | 40.1 |
| 207 | 1-1/4 | 4.2 | 1-17/32 | 5 | 1-49/64 | 4-1/8 | 3/8 | 3/8 | 1-25/64 | 27/32 | 3-3/8 | 1-27/32 |
| | 1-5/16 | 4.1 | | | | | | | | | | |
| | 1-3/8 | 4.0 | | | | | | | | | | |
| | 1-7/16 | 3.9 | | | | | | | | | | |
| | 35mm | 1.8 | 38.9 | 127.0 | 44.8 | 104.8 | 9.5 | M10 | 35.3 | 21.4 | 85.7 | 46.8 |
| 208 | 1-1/2 | 4.6 | 1-11/16 | 5-1/4 | 1-57/64 | 4-3/8 | 7/16 | 7/16 | 1-29/64 | 57/64 | 3-5/8 | 2-3/64 |
| | 1-5/8 | 4.5 | | | | | | | | | | |
| | 40mm | 2.0 | 42.9 | 133.4 | 48.0 | 111.1 | 11.1 | M12 | 36.9 | 22.6 | 92.1 | 52.0 |
| 209 | 1-5/8 | 5.6 | 1-23/32 | 5-3/4 | 1-57/64 | 4-3/4 | 7/16 | 1/2 | 1-29/64 | 29/32 | 4 | 2-7/32 |
| | 1-11/16 | 5.5 | | | | | | | | | | |
| | 1-3/4 | 5.4 | | | | | | | | | | |
| | 45mm | 2.4 | 43.7 | 146.1 | 48.0 | 120.7 | 11.1 | M12 | 36.9 | 23.0 | 101.6 | 56.4 |
| 210 | 1-15/16 | 6.4 | 1-3/4 | 6-1/8 | 1-61/64 | 5-1/8 | 15/32 | 1/2 | 1-31/64 | 59/64 | 4-1/4 | 2-7/16 |
| | 2 | 6.3 | | | | | | | | | | |
| | 50mm | 2.9 | 44.5 | 155.6 | 49.6 | 130.2 | 11.9 | M12 | 37.7 | 23.5 | 108.0 | 61.9 |
| 211 | 2 | 7.3 | 1-27/32 | 6-3/8 | 2-7/32 | 5-3/8 | 5/8 | 1/2 | 1-19/32 | 1 | 4-1/2 | 2-23/32 |
| | 2-3/16 | 7.2 | | | | | | | | | | |
| | 2-1/4 | 7.1 | | | | | | | | | | |
| | 55mm | 3.3 | 46.8 | 161.9 | 56.4 | 136.5 | 15.9 | M12 | 40.5 | 25.4 | 114.3 | 69.1 |
| 212 | 2-1/4 | 9.6 | 1-63/64 | 7-1/8 | 2-29/64 | 6 | 7/8 | 1/2 | 1-37/64 | 1 | 5 | 2-31/32 |
| | 2-7/16 | 9.5 | | | | | | | | | | |
| | 60mm | 4.3 | 50.4 | 181.0 | 62.3 | 152.40 | 22.2 | M12 | 40.1 | 25.4 | 127.0 | 75.4 |
| 214 | 2-1/2 | 13.0 | 2-15/64 | 7-5/8 | 2-49/64 | 6-1/2 | 1-1/8 | 1/2 | 1-41/64 | 1-1/16 | 5-1/2 | 3-5/16 |
| | 70mm | 5.5 | 56.8 | 193.7 | 70.2 | 165.1 | 28.6 | M12 | 41.7 | 27.0 | 139.7 | 84.1 |

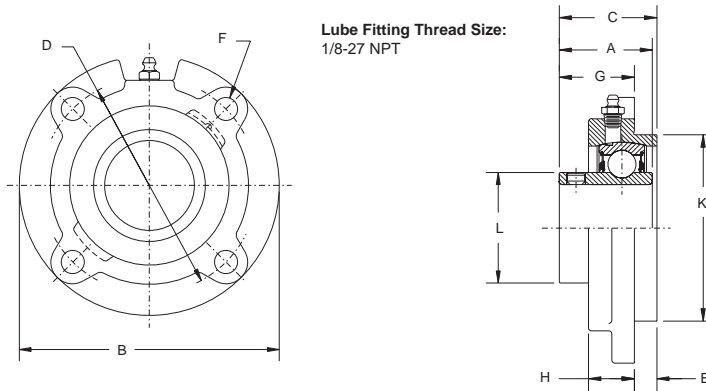
*+0.000, -0.002," * +0.00 -0.05mm

| | | | |
|--------------------------------|---------------------------|------------------------|---------------------------------|
| FEATURES/BENEFITS PAGE B3-2 | NOMENCLATURE PAGE B3-4 | SELECTION PAGE B3-5 | RELATED PRODUCTS PAGE B3-133 |
|--------------------------------|---------------------------|------------------------|---------------------------------|

SELECTION/DIMENSIONS



Setscrew Ball Bearings SCM MEDIUM DUTY PILOTED FLANGE BEARINGS



Lube Fitting Thread Size:
1/8-27 NPT

| Series | Shaft Size | Part No. | Description |
|--------|------------|---------------|-------------|
| 206 | 1 | 126167 | FC-SCM-100 |
| | 25mm | 125940 | FC-SCM-25M |
| 207 | 1-3/16 | 126168 | FC-SCM-103 |
| | 1-1/4 | 124224 | FC-SC-104 |
| | 30mm | 125941 | FC-SCM-30M |
| 208 | 1-7/16 | 126170 | FC-SCM-107 |
| | 1-1/2 | 126171 | FC-SCM-108 |
| | 35mm | 125942 | FC-SCM-35M |
| 209 | 1-1/2 | 056492 | FC-SCM-108L |
| | 1-5/8 | 065644 | FC-SC-110L |
| | 40mm | 125943 | FC-SCM-40M |
| 210 | 1-11/16 | 126172 | FC-SCM-111 |
| | 1-3/4 | 126173 | FC-SCM-112 |
| | 45mm | 125944 | FC-SCM-45M |
| 211 | 1-15/16 | 126174 | FC-SCM-115 |
| | 2 | 126175 | FC-SCM-200 |
| | 50mm | 125945 | FC-SCM-50M |
| 212 | 2-3/16 | 126176 | FC-SCM-203 |
| | 2-1/4 | 126177 | FC-SCM-204 |
| | 55mm | 125946 | FC-SCM-55M |
| 214 | 2-7/16 | 126178 | FC-SCM-207 |
| | 2-1/2 | 126179 | FC-SCM-208 |
| | 65mm | 125947 | FC-SCM-65M |
| 216 | 2-15/16 | 126180 | FC-SCM-215 |
| | 3 | 126182 | FC-SCM-300 |
| | 75mm | 125948 | FC-SCM-75M |
| 218 | 3-7/16 | 126183 | FC-SCM-307 |
| | 3-1/2 | 126184 | FC-SCM-308 |
| | 85mm | 125949 | FC-SCM-85M |

@ Assembled to order

| | | | |
|--------------------------------|---------------------------|------------------------|---------------------------------|
| FEATURES/BENEFITS PAGE B3-2 | NOMENCLATURE PAGE B3-4 | SELECTION PAGE B3-5 | RELATED PRODUCTS PAGE B3-133 |
|--------------------------------|---------------------------|------------------------|---------------------------------|

SELECTION/DIMENSIONS



Setscrew Ball Bearings SCM MEDIUM DUTY PILOTED FLANGE BEARINGS

| Series | Shaft Size | Weight lbs. kgs. | A | B | C | D | E | F Bolt Dia. | G | H | K* | L |
|--------|------------|---------------------|---------|--------|---------|-------|-------|-------------|---------|--------|-------|---------|
| 206 | 1 | 3.3 | 1-25/64 | 4-3/8 | 1-1/2 | 3-5/8 | 1/4 | 3/8 | 1-1/4 | 13/16 | 3 | 1-37/64 |
| | 25mm | 1.4 | 35.3 | 111.1 | 38.1 | 92.1 | 6.4 | M10 | 31.8 | 20.6 | 76.2 | 40.1 |
| 207 | 1-3/16 | 4.2 | 1-17/32 | 5 | 1-49/64 | 4-1/8 | 3/8 | 3/8 | 1-25/64 | 27/32 | 3-3/8 | 1-27/32 |
| | 1-1/4 | 4.2 | | | | | | | | | | |
| | 30mm | 1.9 | 38.9 | 127.0 | 44.8 | 104.8 | 9.5 | M10 | 35.3 | 21.4 | 85.7 | 46.8 |
| 208 | 1-7/16 | 4.8 | 1-11/16 | 5-1/4 | 1-57/64 | 4-3/8 | 7/16 | 7/16 | 1-29/64 | 57/64 | 3-5/8 | 2-3/64 |
| | 1-1/2 | 4.6 | | | | | | | | | | |
| | 35mm | 2.1 | 42.9 | 133.4 | 48.0 | 111.1 | 11.1 | M12 | 36.9 | 22.6 | 92.1 | 52.0 |
| 209 | 1-1/2 | 5.6 | 1-23/32 | 5-3/4 | 1-57/64 | 4-3/4 | 7/16 | 1/2 | 1-29/64 | 29/32 | 4 | 2-7/32 |
| | 1-5/8 | 5.6 | | | | | | | | | | |
| | 40mm | 2.5 | 43.7 | 146.1 | 48.0 | 120.7 | 11.1 | M12 | 36.9 | 23.0 | 101.6 | 56.4 |
| 210 | 1-11/16 | 6.4 | 1-3/4 | 6-1/8 | 1-61/64 | 5-1/8 | 15/32 | 1/2 | 1-31/64 | 59/64 | 4-1/4 | 2-7/16 |
| | 1-3/4 | 6.3 | | | | | | | | | | |
| | 45mm | 2.9 | 44.5 | 155.6 | 49.6 | 130.2 | 11.9 | M12 | 37.7 | 23.4 | 108.0 | 61.9 |
| 211 | 1-15/16 | 7.6 | 1-27/32 | 6-3/8 | 2-7/32 | 5-3/8 | 5/8 | 1/2 | 1-19/32 | 1 | 4-1/2 | 2-23/32 |
| | 2 | 7.4 | | | | | | | | | | |
| | 50mm | 3.4 | 46.8 | 161.9 | 56.4 | 136.5 | 15.9 | M12 | 40.5 | 25.4 | 114.3 | 69.1 |
| 212 | 2-3/16 | 9.5 | 1-63/64 | 7-1/8 | 2-29/64 | 6 | 7/8 | 1/2 | 1-37/64 | 1 | 5 | 2-31/32 |
| | 2-1/4 | 9.8 | | | | | | | | | | |
| | 55mm | 4.4 | 50.4 | 181.0 | 62.3 | 152.4 | 22.2 | M12 | 40.1 | 25.4 | 127.0 | 75.4 |
| 214 | 2-7/16 | 13.2 | 2-15/64 | 7-5/8 | 2-49/64 | 6-1/2 | 1-1/8 | 1/2 | 1-41/64 | 1-1/16 | 5-1/2 | 3-5/16 |
| | 2-1/2 | 13.0 | | | | | | | | | | |
| | 65mm | 5.9 | 56.8 | 193.7 | 70.2 | 165.1 | 28.6 | M12 | 41.7 | 27.0 | 139.7 | 84.1 |
| 216 | 2-15/16 | 18.8 | 2-11/64 | 8-3/4 | 3-1/32 | 7-1/2 | 1-1/4 | 5/8 | 1-25/32 | 1-3/16 | 6-3/8 | 3-53/64 |
| | 3 | 18.6 | | | | | | | | | | |
| | 75mm | 8.5 | 57.9 | 222.3 | 77.0 | 190.5 | 31.8 | M16 | 45.2 | 30.2 | 161.9 | 92.1 |
| 218 | 3-7/16 | 28.7 | 2-31/64 | 10-1/4 | 3-19/64 | 8-5/8 | 1-1/8 | 3/4 | 2-11/64 | 1-5/8 | 7-3/8 | 4-23/64 |
| | 3-1/2 | 28.5 | | | | | | | | | | |
| | 85mm | 13.5 | 63.1 | 260.4 | 83.7 | 219.1 | 34.9 | M18 | 55.2 | 41.3 | 187.3 | 110.7 |

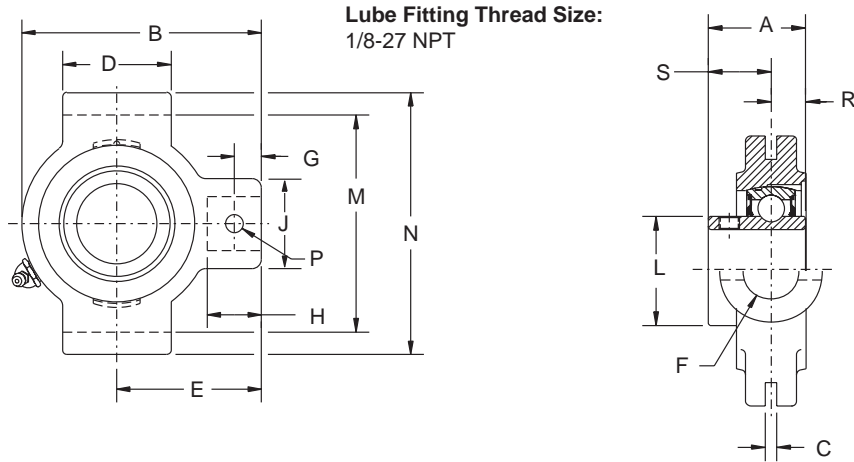
* +.000-.002", +0.00 -0.05mm

| | | | |
|--------------------------------|---------------------------|------------------------|---------------------------------|
| FEATURES/BENEFITS PAGE B3-2 | NOMENCLATURE PAGE B3-4 | SELECTION PAGE B3-5 | RELATED PRODUCTS PAGE B3-133 |
|--------------------------------|---------------------------|------------------------|---------------------------------|

SELECTION/DIMENSIONS



Setscrew Ball Bearings SC NORMAL DUTY NARROW SLOT TAKE-UP BEARINGS



| Series | Shaft Size | Standard | | No Lube/Sealed for Life (-NL) | |
|--------|------------|---------------|--------------------|-------------------------------|-----------------------|
| | | Part No. | Description | Part No. | Description |
| 204 | 1/2 | 125328 | NSTU-SC-008 | @ | NSTU-SC-008-NL |
| | 5/8 | 125329 | NSTU-SC-010 | @ | NSTU-SC-010-NL |
| | 3/4 | 125050 | NSTU-SC-012 | @ | NSTU-SC-012-NL |
| | 20mm | 125900 | <i>NSTU-SC-20M</i> | @ | <i>NSTU-SC-20M-NL</i> |
| 205 | 7/8 | 125365 | NSTU-SC-014 | @ | NSTU-SC-014-NL |
| | 15/16 | 125051 | NSTU-SC-015 | @ | NSTU-SC-015-NL |
| | 1 | 125052 | NSTU-SC-100 | 125054 | NSTU-SC-100-NL |
| | 25mm | 125901 | <i>NSTU-SC-25M</i> | @ | <i>NSTU-SC-25M-NL</i> |
| 206 | 1-1/16 | 125366 | NSTU-SC-101 | @ | NSTU-SC-101-NL |
| | 1-1/8 | 125367 | NSTU-SC-102 | 065642 | NSTU-SC-102-NL |
| | 1-3/16 | 125153 | NSTU-SC-103 | 052194 | NSTU-SC-103-NL |
| | 1-1/4 | 123174 | NSTU-SC-104S | @ | NSTU-SC-104S-NL |
| | 30mm | 125902 | <i>NSTU-SC-30M</i> | @ | <i>NSTU-SC-30M-NL</i> |
| 207 | 1-1/4 | 125154 | NSTU-SC-104 | 058897 | NSTU-SC-104-NL |
| | 1-5/16 | 125368 | NSTU-SC-105 | 065681 | NSTU-SC-105-NL |
| | 1-3/8 | 125369 | NSTU-SC-106 | 125378 | NSTU-SC-106-NL |
| | 1-7/16 | 125155 | NSTU-SC-107 | 052199 | NSTU-SC-107-NL |
| | 35mm | 125903 | <i>NSTU-SC-35M</i> | @ | <i>NSTU-SC-35M-NL</i> |

@ Assembled to order
See B15-9 for Take-Up Frames

| | | | |
|--------------------------------|---------------------------|------------------------|---------------------------------|
| FEATURES/BENEFITS PAGE B3-2 | NOMENCLATURE PAGE B3-4 | SELECTION PAGE B3-5 | RELATED PRODUCTS PAGE B3-133 |
|--------------------------------|---------------------------|------------------------|---------------------------------|

SELECTION/DIMENSIONS



Setscrew Ball Bearings SC NORMAL DUTY NARROW SLOT TAKE-UP BEARINGS

| Series | Shaft Size | Weight lbs. kgs. | Take-Up Frame No. Ref. | A | B | C * | D | E | F Screw Dia | G | H | J | L | M # | N | P Pin Dia | R | S |
|--------|------------|------------------|------------------------|---------|--------|------|-------|---------|-------------|------|-------|-------|---------|-------|-------|-----------|-------|--------|
| 204 | 1/2 | 1.6 | NS210 | 1-5/32 | 3-1/2 | 1/4 | 1-1/2 | 2-3/16 | 3/4 | 7/16 | 7/8 | 1-3/8 | 1-1/8 | 2-5/8 | 3-1/8 | 5/16 | 27/64 | 47/64 |
| | 5/8 | 1.5 | | 29.4 | 88.9 | 6.4 | 38.1 | 55.6 | 19.1 | 11.1 | 22.2 | 34.9 | 28.6 | 66.7 | 79.4 | 7.9 | 10.7 | 18.7 |
| | 3/4 | 1.4 | | 30.2 | 90.5 | 6.4 | 38.1 | 55.6 | 19.1 | 11.1 | 22.2 | 34.9 | 33.7 | 66.7 | 79.4 | 7.9 | 10.7 | 19.4 |
| | 20mm | 0.8 | | 35.3 | 109.5 | 6.4 | 63.5 | 68.3 | 19.1 | 12.7 | 23.8 | 34.9 | 40.1 | 88.9 | 104.8 | 7.9 | 12.3 | 23 |
| 205 | 7/8 | 1.7 | NS210 | 1-3/16 | 3-9/16 | 1/4 | 1-1/2 | 2-3/16 | 3/4 | 7/16 | 7/8 | 1-3/8 | 1-21/64 | 2-5/8 | 3-1/8 | 5/16 | 27/64 | 49/64 |
| | 15/16 | 1.6 | | 30.2 | 90.5 | 6.4 | 38.1 | 55.6 | 19.1 | 11.1 | 22.2 | 34.9 | 33.7 | 66.7 | 79.4 | 7.9 | 10.7 | 19.4 |
| | 1 | 1.5 | | 35.3 | 109.5 | 6.4 | 63.5 | 68.3 | 19.1 | 12.7 | 23.8 | 34.9 | 40.1 | 88.9 | 104.8 | 7.9 | 12.3 | 23 |
| | 25mm | 0.7 | | 38.9 | 114.3 | 6.4 | 63.5 | 68.3 | 19.1 | 12.7 | 23.8 | 34.9 | 46.8 | 88.9 | 104.8 | 7.9 | 12.7 | 26.2 |
| 206 | 1-1/16 | 2.9 | NS308 | 1-25/64 | 4-5/16 | 1/4 | 2-1/2 | 2-11/16 | 3/4 | 1/2 | 15/16 | 1-3/8 | 1-37/64 | 3-1/2 | 4-1/8 | 5/16 | 31/64 | 29/32 |
| | 1-1/8 | 2.8 | | 38.9 | 114.3 | 6.4 | 63.5 | 68.3 | 19.1 | 12.7 | 23.8 | 34.9 | 40.1 | 88.9 | 104.8 | 7.9 | 12.3 | 23 |
| | 1-3/16 | 2.7 | | 38.9 | 114.3 | 6.4 | 63.5 | 68.3 | 19.1 | 12.7 | 23.8 | 34.9 | 46.8 | 88.9 | 104.8 | 7.9 | 12.7 | 26.2 |
| | 1-1/4 | 2.6 | | 38.9 | 114.3 | 6.4 | 63.5 | 68.3 | 19.1 | 12.7 | 23.8 | 34.9 | 46.8 | 88.9 | 104.8 | 7.9 | 12.7 | 26.2 |
| 207 | 30mm | 1.2 | 38.9 | 114.3 | 6.4 | 63.5 | 68.3 | 19.1 | 12.7 | 23.8 | 34.9 | 46.8 | 88.9 | 104.8 | 7.9 | 12.7 | 26.2 | |
| | 1-1/4 | 2.8 | NS308 | 1-17/32 | 4-1/2 | 1/4 | 2-1/2 | 2-11/16 | 3/4 | 1/2 | 15/16 | 1-3/8 | 1-27/32 | 3-1/2 | 4-1/8 | 5/16 | 1/2 | 1-1/32 |
| | 1-5/16 | 2.7 | | 38.9 | 114.3 | 6.4 | 63.5 | 68.3 | 19.1 | 12.7 | 23.8 | 34.9 | 46.8 | 88.9 | 104.8 | 7.9 | 12.7 | 26.2 |
| | 1-3/8 | 2.6 | | 38.9 | 114.3 | 6.4 | 63.5 | 68.3 | 19.1 | 12.7 | 23.8 | 34.9 | 46.8 | 88.9 | 104.8 | 7.9 | 12.7 | 26.2 |
| 1-7/16 | 2.5 | 38.9 | | 114.3 | 6.4 | 63.5 | 68.3 | 19.1 | 12.7 | 23.8 | 34.9 | 46.8 | 88.9 | 104.8 | 7.9 | 12.7 | 26.2 | |
| | 35mm | 1.2 | 38.9 | 114.3 | 6.4 | 63.5 | 68.3 | 19.1 | 12.7 | 23.8 | 34.9 | 46.8 | 88.9 | 104.8 | 7.9 | 12.7 | 26.2 | |

*+ or -.015" + pr -.38mm

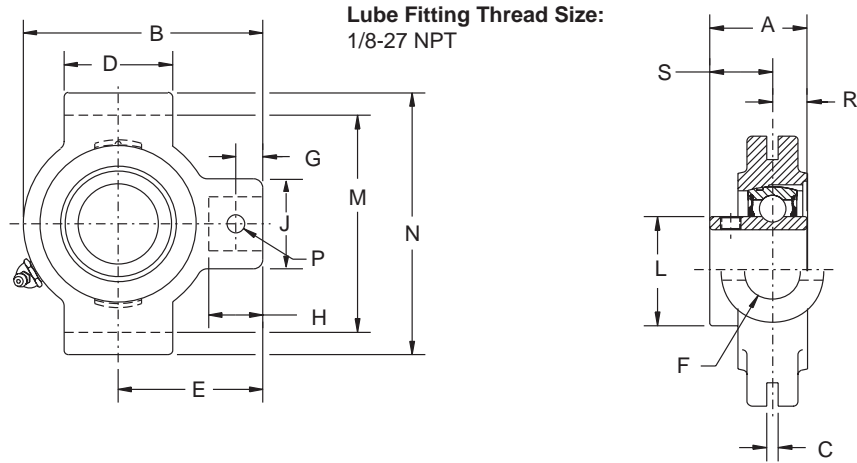
#+.010, -.020" +.25mm, -.50mm

| | | | |
|--------------------------------|---------------------------|------------------------|---------------------------------|
| FEATURES/BENEFITS PAGE B3-2 | NOMENCLATURE PAGE B3-4 | SELECTION PAGE B3-5 | RELATED PRODUCTS PAGE B3-133 |
|--------------------------------|---------------------------|------------------------|---------------------------------|

SELECTION/DIMENSIONS



Setscrew Ball Bearings SC NORMAL DUTY NARROW SLOT TAKE-UP BEARINGS



| Series | Shaft Size | Standard | | Sealed For Life | |
|--------|------------|---------------|--------------|-----------------|-----------------|
| | | Part No. | Description | Part No. | Description |
| 208 | 1-1/2 | 125156 | NSTU-SC-108 | @ | NSTU-SC-108-NL |
| | 1-5/8 | 125370 | NSTU-SC-110 | @ | NSTU-SC-110-NL |
| | 40mm | 125904 | NSTU-SC-40M | @ | NSTU-SC-40M-NL |
| 209 | 1-5/8 | 065593 | NSTU-SC-110L | @ | NSTU-SC-110L-NL |
| | 1-11/16 | 125157 | NSTU-SC-111 | 052939 | NSTU-SC-111-NL |
| | 1-3/4 | 125371 | NSTU-SC-112 | 068184 | NSTU-SC-112-NL |
| | 45mm | 125905 | NSTU-SC-45M | @ | NSTU-SC-45M-NL |
| 210 | 1-15/16 | 125158 | NSTU-SC-115 | 125159 | NSTU-SC-115-NL |
| | 2 | 125372 | NSTU-SC-200 | 068659 | NSTU-SC-200-NL |
| | 50mm | 125906 | NSTU-SC-50M | @ | NSTU-SC-50M-NL |
| 211 | 2 | 135171 | NSTU-SCM-200 | @ | NSTU-SCM-200-NL |
| | 2-3/16 | 125160 | NSTU-SC-203 | @ | NSTU-SC-203-NL |
| | 2-1/4 | 125373 | NSTU-SC-204 | @ | NSTU-SC-204-NL |
| | 55mm | 125907 | NSTU-SC-55M | @ | NSTU-SC-55M-NL |
| 212 | 2-1/4 | 135172 | NSTU-SCM-204 | @ | NSTU-SCM-204-NL |
| | 2-7/16 | 125162 | NSTU-SC-207 | @ | NSTU-SC-207-NL |
| | 60mm | 125908 | NSTU-SC-60M | @ | NSTU-SC-60M-NL |

@ Assembled to order
See B15-9 for Take-Up Frames

| | | | |
|--------------------------------|---------------------------|------------------------|---------------------------------|
| FEATURES/BENEFITS PAGE B3-2 | NOMENCLATURE PAGE B3-4 | SELECTION PAGE B3-5 | RELATED PRODUCTS PAGE B3-133 |
|--------------------------------|---------------------------|------------------------|---------------------------------|

SELECTION/DIMENSIONS



Setscrew Ball Bearings SC NORMAL DUTY NARROW SLOT TAKE-UP BEARINGS

| Series | Shaft Size | Weight lbs. kgs. | Take-Up Frame No. Ref. | A | B | C * | D | E | F Screw Dia | G | H | J | L | M # | N | P Pin Dia | R | S |
|--------|----------------|------------------|------------------------|---------|---------|------|-------|-------|-------------|-------|--------|-------|---------|---------|-------|-----------|-------|--------|
| 208 | 1-1/2 | 4.7 | NS400 | 1-11/16 | 5-3/8 | 5/16 | 3 | 3-1/4 | 7/8 | 21/32 | 1-5/32 | 1-5/8 | 2-3/64 | 4 | 4-3/4 | 3/8 | 19/32 | 1-3/32 |
| | 1-5/8 40mm | 4.6 2.1 | | 42.9 | 136.5 | 7.9 | 76.2 | 82.6 | 22.2 | 16.7 | 29.4 | 41.3 | 52.0 | 101.6 | 120.7 | 9.5 | 15.1 | 27.8 |
| 209 | 1-5/8 | 4.9 | NS400 | 1-23/32 | 5-7/16 | 5/16 | 3 | 3-1/4 | 7/8 | 23/32 | 1-7/32 | 1-5/8 | 2-7/32 | 4 | 4-3/4 | 3/8 | 19/32 | 1-1/8 |
| | 1-11/16 | 4.8 | | 43.7 | 138.1 | 7.9 | 76.2 | 82.6 | 22.2 | 18.3 | 31.0 | 41.3 | 56.4 | 101.6 | 120.7 | 9.5 | 15.1 | 28.6 |
| | 1-3/4 45mm | 4.7 2.1 | | | | | | | | | | | | | | | | |
| 210 | 1-15/16 | 4.9 | NS400 | 1-3/4 | 5-1/2 | 5/16 | 3 | 3-1/4 | 7/8 | 19/32 | 1-3/32 | 1-5/8 | 2-7/16 | 4 | 4-3/4 | 3/8 | 19/32 | 1-5/32 |
| | 2 50mm | 4.8 2.2 | | 44.5 | 139.7 | 7.9 | 76.2 | 82.6 | 22.2 | 15.1 | 27.8 | 41.3 | 61.9 | 101.6 | 120.7 | 9.5 | 15.1 | 29.4 |
| 211 | 2 | 6.8 | NS407 | 1-27/32 | 6-1/8 | 5/16 | 3-1/2 | 3-5/8 | 1 | 11/16 | 1-9/32 | 1-3/4 | 2-23/32 | 4-7/16 | 5-3/8 | 7/16 | 5/8 | 1-7/32 |
| | 2-3/16 | 6.6 | | 46.8 | 155.6 | 7.9 | 88.9 | 92.1 | 25.4 | 17.5 | 32.5 | 44.5 | 69.1 | 112.7 | 136.5 | 11.1 | 15.9 | 31.0 |
| | 2-1/4 55mm | 6.5 3.0 | | | | | | | | | | | | | | | | |
| 212 | 2-1/4 | 8.7 | NS415 | 1-63/64 | 6-11/16 | 5/16 | 3-3/4 | 3-7/8 | 1 | 11/16 | 1-9/32 | 1-5/8 | 2-31/32 | 4-15/16 | 5-3/4 | 7/16 | 43/64 | 1-5/16 |
| | 2-7/16 60mm | 8.4 4.9 | | 50.4 | 169.9 | 7.9 | 95.3 | 98.4 | 25.4 | 17.5 | 32.5 | 41.3 | 75.4 | 125.4 | 146.1 | 11.1 | 17.1 | 33.3 |

*+/- .015" +/- .38mm

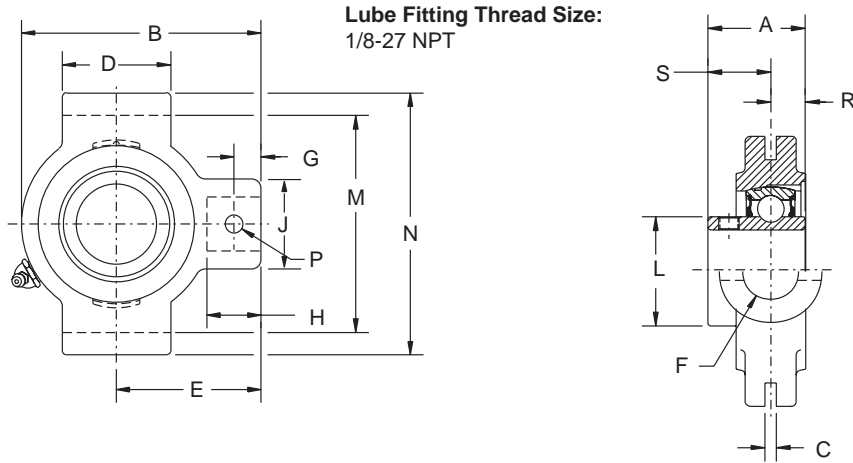
#+.010, -.020" +.25mm, -.50mm

| | | | |
|--------------------------------|---------------------------|------------------------|---------------------------------|
| FEATURES/BENEFITS PAGE B3-2 | NOMENCLATURE PAGE B3-4 | SELECTION PAGE B3-5 | RELATED PRODUCTS PAGE B3-133 |
|--------------------------------|---------------------------|------------------------|---------------------------------|

SELECTION/DIMENSIONS



Setscrew Ball Bearings SCM MEDIUM DUTY NARROW SLOT TAKE-UP BEARINGS



| Series | Shaft Size | Part No. | Description |
|--------|------------|---------------|--------------|
| 206 | 1 | 135102 | NSTU-SCM-100 |
| | 25mm | 125980 | NSTU-SCM-25M |
| 207 | 1-3/16 | 135081 | NSTU-SCM-103 |
| | 1-1/4 | 125154 | NSTU-SC-104 |
| 208 | 30mm | 125981 | NSTU-SCM-30M |
| | 1-7/16 | 135105 | NSTU-SCM-107 |
| 209 | 35mm | 125982 | NSTU-SCM-35M |
| | 1-1/2 | 135106 | NSTU-SCM-108 |
| 210 | 1-5/8 | @ | NSTU-SC-110L |
| | 40mm | 125983 | NSTU-SCM-40M |
| 211 | 1-11/16 | 135107 | NSTU-SCM-111 |
| | 1-3/4 | 135170 | NSTU-SCM-112 |
| 212 | 45mm | 125984 | NSTU-SCM-45M |
| | 1-15/16 | 135109 | NSTU-SCM-115 |
| 211 | 2 | 135171 | NSTU-SCM-200 |
| | 50mm | 125985 | NSTU-SCM-50M |
| 212 | 2-3/16 | 135111 | NSTU-SCM-203 |
| | 2-1/4 | 135172 | NSTU-SCM-204 |
| | 55mm | 125986 | NSTU-SCM-55M |

@ Assembled to order

| | | | |
|--------------------------------|---------------------------|------------------------|---------------------------------|
| FEATURES/BENEFITS PAGE B3-2 | NOMENCLATURE PAGE B3-4 | SELECTION PAGE B3-5 | RELATED PRODUCTS PAGE B3-133 |
|--------------------------------|---------------------------|------------------------|---------------------------------|

SELECTION/DIMENSIONS



Setscrew Ball Bearings SCM MEDIUM DUTY NARROW SLOT TAKE-UP BEARINGS

| Series | Shaft Size | Weight lbs. kgs. | Take-Up Frame No. Ref. | A | B | C* | D | E | F Screw Dia. | G | H | J | L | M# | N | P Pin Dia. | R | S |
|--------|---------------|------------------|------------------------|---------|---------|------|-------|---------|--------------|-------|--------|-------|---------|---------|-------|------------|-------|--------|
| 206 | 1 | 3.0 | NS308 | 1-25/64 | 4-5/16 | 1/4 | 2-1/2 | 2-11/16 | 3/4 | 1/2 | 15/16 | 1-3/8 | 1-37/64 | 3-1/2 | 4-1/8 | 5/16 | 31/64 | 29/32 |
| | 25mm | 1.2 | | 35.3 | 109.5 | 6.4 | 63.5 | 68.3 | 19.1 | 12.7 | 23.8 | 34.9 | 40.1 | 88.9 | 104.8 | 7.9 | 12.3 | 23.0 |
| 207 | 1-3/16 | 2.9 | NS308 | 1-17/32 | 4-1/2 | 1/4 | 2-1/2 | 2-11/16 | 3/4 | 1/2 | 15/16 | 1-3/8 | 1-27/32 | 3-1/2 | 4-1/8 | 5/16 | 1/2 | 1-1/32 |
| | 1-1/4 30mm | 2.8 1.3 | | 38.9 | 114.3 | 6.4 | 63.5 | 68.3 | 19.1 | 12.7 | 23.8 | 34.9 | 46.8 | 88.9 | 104.8 | 7.9 | 12.7 | 26.2 |
| 208 | 1-7/16 | 4.7 | NS400 | 1-11/16 | 5-3/8 | 5/16 | 3 | 3-1/4 | 7/8 | 21/32 | 1-5/32 | 1-5/8 | 2-3/64 | 4 | 4-3/4 | 3/8 | 19/32 | 1-3/32 |
| | 35mm | 2.2 | | 42.9 | 136.5 | 7.9 | 76.2 | 82.6 | 22.2 | 16.7 | 29.4 | 41.3 | 52.0 | 101.60 | 120.7 | 9.5 | 15.1 | 27.8 |
| 209 | 1-1/2 | 5.0 | NS400 | 1-23/32 | 5-7/16 | 5/16 | 3 | 3-1/4 | 7/8 | 23/32 | 1-7/32 | 1-5/8 | 2-7/32 | 4 | 4-3/4 | 3/8 | 19/32 | 1-1/8 |
| | 1-5/8 40mm | 4.9 2.3 | | 43.7 | 138.1 | 7.9 | 76.2 | 82.6 | 22.2 | 18.3 | 31.0 | 41.3 | 56.4 | 101.60 | 120.7 | 9.5 | 15.1 | 28.6 |
| 210 | 1-11/16 | 5.3 | NS400 | 1-3/4 | 5-1/2 | 5/16 | 3 | 3-1/4 | 7/8 | 19/32 | 1-3/32 | 1-5/8 | 2-7/16 | 4 | 4-3/4 | 3/8 | 19/32 | 1-5/32 |
| | 1-3/4 45mm | 5.2 2.4 | | 44.5 | 139.7 | 7.9 | 76.2 | 82.6 | 22.2 | 15.1 | 27.8 | 41.3 | 61.9 | 101.60 | 120.7 | 9.5 | 15.1 | 29.4 |
| 211 | 1-15/16 | 7.0 | NS407 | 1-27/32 | 6-1/8 | 5/16 | 3-1/2 | 3-5/8 | 1 | 11/16 | 1-9/32 | 1-3/4 | 2-23/32 | 4-7/16 | 5-3/8 | 7/16 | 5/8 | 1-7/32 |
| | 2 50mm | 6.8 3.2 | | 46.8 | 155.6 | 7.9 | 88.9 | 92.1 | 25.4 | 17.5 | 32.5 | 44.5 | 69.1 | 112.7 | 136.5 | 11.1 | 15.9 | 31.0 |
| 212 | 2-3/16 | 8.9 | NS415 | 1-63/64 | 6-11/16 | 5/16 | 3-3/4 | 3-7/8 | 1 | 11/16 | 1-9/32 | 1-5/8 | 2-31/32 | 4-15/16 | 5-3/4 | 7/16 | 43/64 | 1-5/16 |
| | 2-1/4 55mm | 8.7 4.0 | | 50.4 | 169.9 | 7.9 | 95.3 | 98.4 | 25.4 | 17.5 | 32.5 | 41.3 | 75.4 | 125.4 | 146.1 | 11.1 | 17.1 | 33.3 |

#+ or -.015", + or -.38mm"

| | | | |
|--------------------------------|---------------------------|------------------------|---------------------------------|
| FEATURES/BENEFITS PAGE B3-2 | NOMENCLATURE PAGE B3-4 | SELECTION PAGE B3-5 | RELATED PRODUCTS PAGE B3-133 |
|--------------------------------|---------------------------|------------------------|---------------------------------|

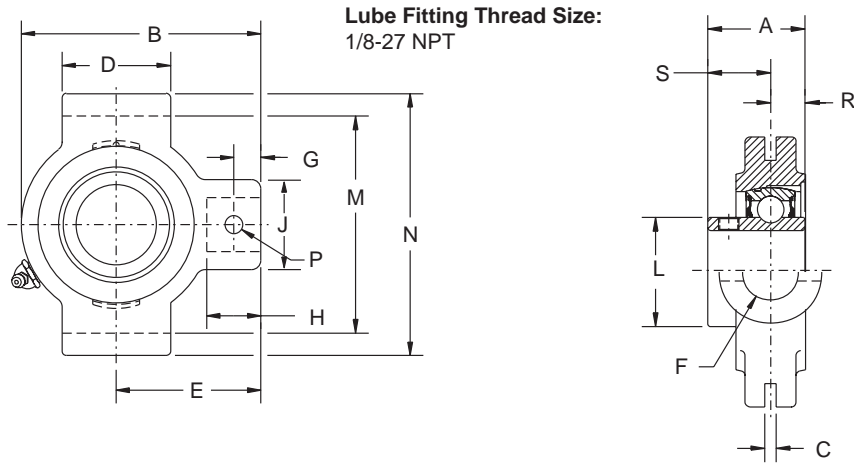
SELECTION/DIMENSIONS

DODGE®



Setscrew Ball Bearings

VSC INTERMEDIATE DUTY NARROW SLOT TAKE-UP BEARINGS



| Series | Shaft Size | Part No. | Description |
|--------|---------------|--------------------|------------------------------|
| 204 | 3/4 20mm | 125533 @ | NSTU-VSC-012 NSTU-VSC-20M |
| 205 | 7/8 | 125534 | NSTU-VSC-014 |
| | 15/16 | 125535 | NSTU-VSC-015 |
| | 1 | 125536 | NSTU-VSC-100 |
| | 25mm | @ | NSTU-VSC-25M |
| 206 | 1-1/8 | 125537 | NSTU-VSC-102 |
| | 1-3/16 | 125538 | NSTU-VSC-103 |
| | 1-1/4 | 125540 | NSTU-VSC-104S |
| | 30mm | @ | NSTU-VSC-30M |
| 207 | 1-1/4 | 125539 | NSTU-VSC-104 |
| | 1-3/8 | 125541 | NSTU-VSC-106 |
| | 1-7/16 | 123680 | NSTU-VSC-107 |
| | 35mm | @ | NSTU-VSC-35M |
| 208 | 1-1/2 40mm | 125542 @ | NSTU-VSC-108 NSTU-VSC-40M |
| 209 | 1-11/16 | 125543 | NSTU-VSC-111 |
| | 1-3/4 | 125544 | NSTU-VSC-112 |
| | 45mm | @ | NSTU-VSC-45M |
| 210 | 1-15/16 | 125545 | NSTU-VSC-115 |
| | 2 | 125546 | NSTU-VSC-200 |
| | 50mm | @ | NSTU-VSC-50M |
| 211 | 2 | 125547 | NSTU-VSC-200 |
| | 2-3/16 | 125548 | NSTU-VSC-203 |
| | 55mm | @ | NSTU-VSC-55M |

@ Assembled to order

FEATURES/BENEFITS
PAGE B3-2

NOMENCLATURE
PAGE B3-4

SELECTION
PAGE B3-5

RELATED PRODUCTS
PAGE B3-133

SELECTION/DIMENSIONS



Setscrew Ball Bearings VSC INTERMEDIATE DUTY NARROW SLOT TAKE-UP BEARINGS

| Series | Shaft Size | Weight lbs. kg. | Take-Up Frame No. Ref. | A | B | C* | D | E | F Screw Dia. | G | H | J | L | M# | N | P Pin Dia. | R | S |
|--------|------------|-----------------|------------------------|---------|--------|------|-------|---------|--------------|-------|--------|-------|---------|--------|-------|------------|-------|--------|
| 204 | 3/4 | 1.25 | NS210 | 1-1/16 | 3-1/2 | 1/4 | 1-1/2 | 2-3/16 | 3/4 | 7/16 | 7/8 | 1-3/8 | 1-1/8 | 2-5/8 | 3-1/8 | 5/16 | 21/64 | 47/64 |
| | 20mm | 0.58 | | 27.0 | 88.9 | 6.4 | 38.1 | 55.6 | 19.1 | 11.1 | 22.2 | 34.9 | 28.6 | 66.7 | 79.4 | 7.9 | 8.3 | 18.7 |
| 205 | 7/8 | 1.68 | NS210 | 1-3/32 | 3-9/16 | 1/4 | 1-1/2 | 2-3/16 | 3/4 | 7/16 | 7/8 | 1-3/8 | 1-21/64 | 2-5/8 | 3-1/8 | 5/16 | 21/64 | 49/64 |
| | 15/16 | 1.58 | | 27.8 | 90.5 | 6.4 | 38.1 | 55.6 | 19.1 | 11.1 | 22.2 | 34.9 | 33.7 | 66.7 | 79.4 | 7.9 | 8.3 | 19.4 |
| | 1 | 1.48 | | 27.8 | 90.5 | 6.4 | 38.1 | 55.6 | 19.1 | 11.1 | 22.2 | 34.9 | 33.7 | 66.7 | 79.4 | 7.9 | 8.3 | 19.4 |
| 206 | 25mm | 0.73 | NS308 | 1-19/64 | 4-5/16 | 1/4 | 2-1/2 | 2-11/16 | 3/4 | 1/2 | 15/16 | 1-3/8 | 1-37/64 | 3-1/2 | 4-1/8 | 5/16 | 25/64 | 29/32 |
| | 1-1/8 | 2.78 | | 32.9 | 109.5 | 6.4 | 63.5 | 68.3 | 19.1 | 12.7 | 23.8 | 34.9 | 40.1 | 88.9 | 104.8 | 7.9 | 9.9 | 23.0 |
| | 1-3/16 | 2.58 | | 32.9 | 109.5 | 6.4 | 63.5 | 68.3 | 19.1 | 12.7 | 23.8 | 34.9 | 40.1 | 88.9 | 104.8 | 7.9 | 9.9 | 23.0 |
| 207 | 1-1/4 | 2.48 | NS308 | 1-7/16 | 4-1/2 | 1/4 | 2-1/2 | 2-11/16 | 3/4 | 1/2 | 15/16 | 1-3/8 | 1-27/32 | 3-1/2 | 4-1/8 | 5/16 | 13/32 | 1-1/32 |
| | 1-3/8 | 2.58 | | 36.5 | 114.3 | 6.4 | 63.5 | 68.3 | 19.1 | 12.7 | 23.8 | 34.9 | 46.8 | 88.9 | 104.8 | 7.9 | 10.3 | 26.2 |
| | 1-7/16 | 2.48 | | 36.5 | 114.3 | 6.4 | 63.5 | 68.3 | 19.1 | 12.7 | 23.8 | 34.9 | 46.8 | 88.9 | 104.8 | 7.9 | 10.3 | 26.2 |
| 208 | 35mm | 1.19 | NS400 | 1-9/16 | 5-3/8 | 5/16 | 3 | 3-1/4 | 7/8 | 21/32 | 1-5/32 | 1-5/8 | 2-3/64 | 4 | 4-3/4 | 3/8 | 15/32 | 1-3/32 |
| | 1-1/2 | 4.68 | | 39.7 | 136.5 | 7.9 | 76.2 | 82.6 | 22.2 | 16.7 | 29.4 | 41.3 | 52.0 | 101.6 | 120.7 | 9.5 | 11.9 | 27.8 |
| 209 | 40mm | 2.16 | NS400 | 1-19/32 | 5-7/16 | 5/16 | 3 | 3-1/4 | 7/8 | 23/32 | 1-7/32 | 1-5/8 | 2-7/32 | 4 | 4-3/4 | 3/8 | 15/32 | 1-1/8 |
| | 1-11/16 | 4.78 | | 40.5 | 138.1 | 7.9 | 76.2 | 82.6 | 22.2 | 18.3 | 31.0 | 41.3 | 56.4 | 101.6 | 120.7 | 9.5 | 11.9 | 28.6 |
| 210 | 1-3/4 | 4.68 | NS400 | 1-5/8 | 5-1/2 | 5/16 | 3 | 3-1/4 | 7/8 | 19/32 | 1-3/32 | 1-5/8 | 2-7/16 | 4 | 4-3/4 | 3/8 | 15/32 | 1-5/32 |
| | 45mm | 2.20 | | 41.3 | 139.7 | 7.9 | 76.2 | 82.6 | 22.2 | 115.1 | 27.8 | 41.3 | 61.9 | 101.6 | 120.7 | 9.5 | 11.9 | 29.4 |
| 211 | 1-15/16 | 4.88 | NS407 | 1-23/32 | 6-1/8 | 5/16 | 3-1/2 | 3-5/8 | 1 | 11/16 | 1-9/32 | 1-3/4 | 2-23/32 | 4-7/16 | 5-3/8 | 7/16 | 1/2 | 1-7/32 |
| | 2 | 4.78 | | 43.7 | 155.6 | 7.9 | 88.9 | 92.1 | 25.4 | 17.5 | 32.5 | 44.5 | 69.1 | 112.7 | 136.5 | 11.1 | 12.7 | 31.0 |
| | 50mm | 2.25 | | | | | | | | | | | | | | | | |
| 211 | 2 | 6.78 | NS407 | 1-23/32 | 6-1/8 | 5/16 | 3-1/2 | 3-5/8 | 1 | 11/16 | 1-9/32 | 1-3/4 | 2-23/32 | 4-7/16 | 5-3/8 | 7/16 | 1/2 | 1-7/32 |
| | 2-3/16 | 6.58 | | 43.7 | 155.6 | 7.9 | 88.9 | 92.1 | 25.4 | 17.5 | 32.5 | 44.5 | 69.1 | 112.7 | 136.5 | 11.1 | 12.7 | 31.0 |
| | 55mm | 3.13 | | | | | | | | | | | | | | | | |

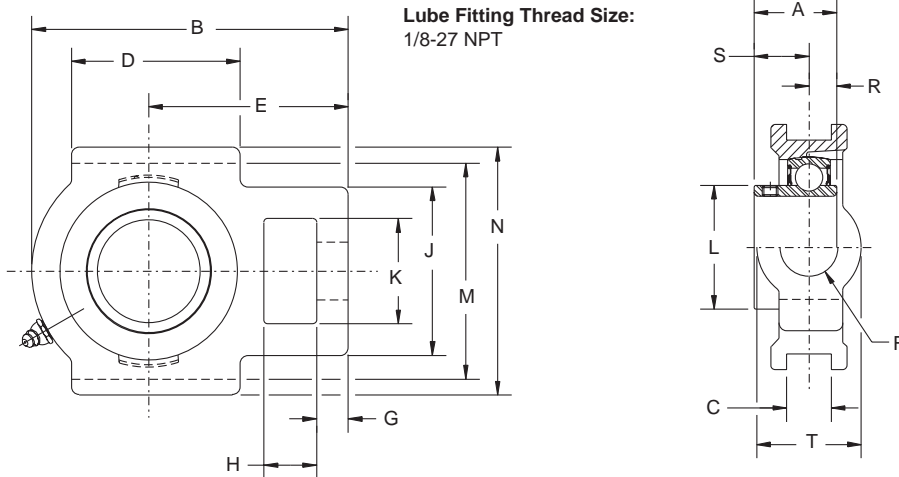
* + or -.015, + or -.38mm #+.010, -.020" +.25mm, -.50mm

| | | | |
|--------------------------------|---------------------------|------------------------|---------------------------------|
| FEATURES/BENEFITS PAGE B3-2 | NOMENCLATURE PAGE B3-4 | SELECTION PAGE B3-5 | RELATED PRODUCTS PAGE B3-133 |
|--------------------------------|---------------------------|------------------------|---------------------------------|

SELECTION/DIMENSIONS



Setscrew Ball Bearings SC NORMAL DUTY WIDE SLOT TAKE-UP BEARINGS



| Series | Shaft Size | Standard | | No Lube/Sealed for Life (-NL) | |
|--------|------------|---------------|--------------|-------------------------------|-----------------|
| | | Part No. | Description | Part No. | Description |
| 204 | 1/2 | 125343 | WSTU-SC-008 | @ | WSTU-SC-008-NL |
| | 5/8 | 125344 | WSTU-SC-010 | @ | WSTU-SC-010-NL |
| | 3/4 | 125010 | WSTU-SC-012 | @ | WSTU-SC-012-NL |
| | 20mm | 125910 | WSTU-SC-20M | @ | WSTU-SC-20M-NL |
| 205 | 7/8 | 125356 | WSTU-SC-014 | @ | WSTU-SC-014-NL |
| | 15/16 | 125011 | WSTU-SC-015 | @ | WSTU-SC-015-NL |
| | 1 | 125012 | WSTU-SC-100 | @ | WSTU-SC-100-NL |
| | 25mm | 125911 | WSTU-SC-25M | @ | WSTU-SC-25M-NL |
| 206 | 1-1/16 | 125357 | WSTU-SC-101 | @ | WSTU-SC-101-NL |
| | 1-1/8 | 125358 | WSTU-SC-102 | @ | WSTU-SC-102-NL |
| | 1-3/16 | 125113 | WSTU-SC-103 | @ | WSTU-SC-103-NL |
| | 1-1/4 | 123175 | WSTU-SC-104S | @ | WSTU-SC-104S-NL |
| | 30mm | 125912 | WSTU-SC-30M | @ | WSTU-SC-30M-NL |
| 207 | 1-1/4 | 125360 | WSTU-SC-104 | @ | WSTU-SC-104-NL |
| | 1-5/16 | 125359 | WSTU-SC-105 | @ | WSTU-SC-105-NL |
| | 1-3/8 | 125361 | WSTU-SC-106 | @ | WSTU-SC-106-NL |
| | 1-7/16 | 125114 | WSTU-SC-107 | 050846 | WSTU-SC-107-NL |
| | 35mm | 125913 | WSTU-SC-35M | @ | WSTU-SC-35M-NL |
| 208 | 1-1/2 | 125120 | WSTU-SC-108 | 049829 | WSTU-SC-108-NL |
| | 1-5/8 | 125355 | WSTU-SC-110 | @ | WSTU-SC-110-NL |
| | 40mm | 125914 | WSTU-SC-40M | @ | WSTU-SC-40M-NL |

@ Assembled to order

| | | | |
|--------------------------------|---------------------------|------------------------|---------------------------------|
| FEATURES/BENEFITS PAGE B3-2 | NOMENCLATURE PAGE B3-4 | SELECTION PAGE B3-5 | RELATED PRODUCTS PAGE B3-133 |
|--------------------------------|---------------------------|------------------------|---------------------------------|

SELECTION/DIMENSIONS



Setscrew Ball Bearings SC NORMAL DUTY WIDE SLOT TAKE-UP BEARINGS

| Series | Shaft Size | Weight lbs kg | Take-Up Frame Size | A | B | C* | D | E | F Screw Dia. | G |
|--------|------------|------------------|--------------------|---------|---------|-------|-------|--------|--------------|------|
| 204 | 1/2 | 2.1 | WS300 | 1-5/32 | 3-11/16 | 17/32 | 2 | 2-3/8 | 5/8 | 3/8 |
| | 5/8 | 2.0 | | 29.4 | 93.7 | 13.5 | 50.8 | 60.3 | 15.9 | 9.5 |
| | 3/4 | 1.9 | | | | | | | | |
| | 20mm | 0.9 | | | | | | | | |
| 205 | 7/8 | 2.2 | WS300 | 1-3/16 | 3-13/16 | 17/32 | 2 | 2-7/16 | 5/8 | 3/8 |
| | 15/16 | 2.1 | | 30.2 | 96.8 | 13.5 | 50.8 | 61.9 | 15.9 | 9.5 |
| | 1 | 2.0 | | | | | | | | |
| | 25mm | 1.0 | | | | | | | | |
| 206 | 1-1/16 | 3.1 | WS308 | 1-25/64 | 4-3/8 | 17/32 | 2-1/4 | 2-3/4 | 3/4 | 3/8 |
| | 1-1/8 | 3.0 | | 35.3 | 111.1 | 13.5 | 57.2 | 69.9 | 19.1 | 9.5 |
| | 1-3/16 | 2.9 | | | | | | | | |
| | 1-1/4 | 2.8 | | | | | | | | |
| 207 | 30mm | 1.3 | | | | | | | | |
| | 1-1/4 | 3.8 | WS308 | 1-17/32 | 4-7/8 | 17/32 | 2-1/2 | 3-1/16 | 3/4 | 1/2 |
| | 1-5/16 | 3.7 | | 38.9 | 123.8 | 13.5 | 63.5 | 77.8 | 19.1 | 12.7 |
| | 1-3/8 | 3.6 | | | | | | | | |
| 1-7/16 | 3.5 | | | | | | | | | |
| 208 | 35mm | 1.6 | | | | | | | | |
| | 1-1/2 | 6.1 | WS400 | 1-11/16 | 5-11/16 | 11/16 | 3-1/4 | 3-1/2 | 1 | 5/8 |
| | 1-5/8 | 6.0 | | 42.9 | 144.5 | 17.5 | 82.6 | 88.9 | 25.4 | 15.9 |
| | 40mm | 2.8 | | | | | | | | |

| Series | Shaft Size | H | J | K | L | M# | N | R | S | T |
|--------|------------|------|--------|---------|---------|-------|-------|-------|--------|---------|
| 204 | 1/2 | 5/8 | 2 | 1-1/4 | 1-1/8 | 3 | 3-5/8 | 27/64 | 47/64 | 1-3/8 |
| | 5/8 | | | | | | | | | |
| | 3/4 | | | | | | | | | |
| | 20mm | 15.9 | 50.8 | 31.8 | 28.6 | 76.2 | 92.1 | 10.7 | 18.7 | 34.9 |
| 205 | 7/8 | 5/8 | 2 | 1-5/16 | 1-21/64 | 3 | 3-5/8 | 27/64 | 49/64 | 1-3/8 |
| | 15/16 | | | | | | | | | |
| | 1 | | | | | | | | | |
| | 25mm | 15.9 | 50.8 | 33.3 | 33.7 | 76.2 | 92.1 | 10.7 | 19.4 | 34.9 |
| 206 | 1-1/16 | 5/8 | 2-3/16 | 1-7/16 | 1-37/64 | 3-1/2 | 4-1/8 | 31/64 | 29/32 | 1-5/8 |
| | 1-1/8 | | | | | | | | | |
| | 1-3/16 | | | | | | | | | |
| | 1-1/4 | | | | | | | | | |
| 207 | 30mm | 15.9 | 55.6 | 36.5 | 40.1 | 88.9 | 104.8 | 12.3 | 23.0 | 41.3 |
| | 1-1/4 | 5/8 | 2-1/2 | 1-7/16 | 1-27/32 | 3-1/2 | 4-1/8 | 1/2 | 1-1/32 | 1-5/8 |
| | 1-5/16 | | | | | | | | | |
| | 1-3/8 | | | | | | | | | |
| 208 | 1-7/16 | | | | | | | | | |
| | 35mm | 15.9 | 63.5 | 36.5 | 46.8 | 88.9 | 104.8 | 12.7 | 26.2 | 41.3 |
| | 1-1/2 | 3/4 | 3-1/4 | 1-15/16 | 2-3/64 | 4 | 4-1/2 | 19/32 | 1-3/32 | 1-15/16 |
| | 1-5/8 | | | | | | | | | |
| 208 | 40mm | 19.1 | 82.6 | 49.2 | 52.0 | 101.6 | 114.3 | 15.1 | 27.8 | 49.2 |

*+ or -.015", + or -.38mm

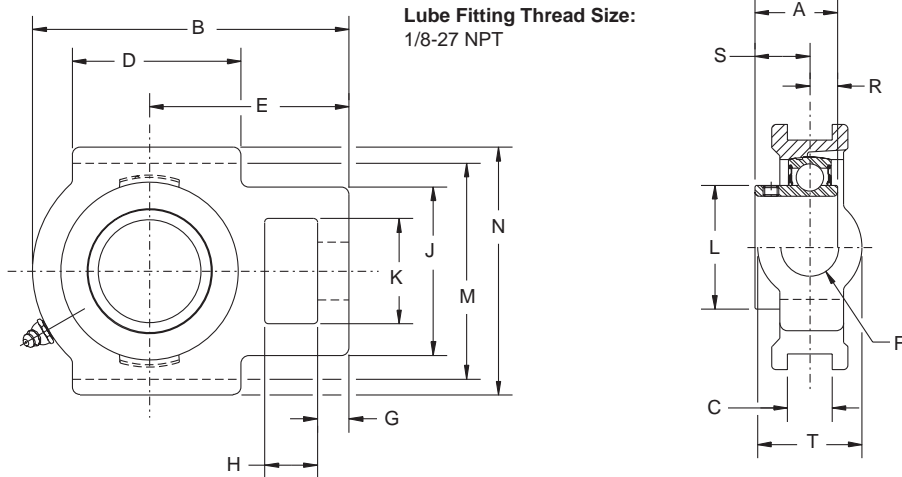
+.010, -.020" +.25mm, -.50mm

| | | | |
|--------------------------------|---------------------------|------------------------|---------------------------------|
| FEATURES/BENEFITS PAGE B3-2 | NOMENCLATURE PAGE B3-4 | SELECTION PAGE B3-5 | RELATED PRODUCTS PAGE B3-133 |
|--------------------------------|---------------------------|------------------------|---------------------------------|

SELECTION/DIMENSIONS



Setscrew Ball Bearings SC NORMAL DUTY WIDE SLOT TAKE-UP BEARINGS



| Series | Shaft Size | Standard | | No Lube/Sealed for Life (-NL) | |
|--------|------------|---------------|--------------|-------------------------------|-----------------|
| | | Part No. | Description | Part No. | Description |
| 209 | 1-5/8 | 125151 | WSTU-SC-110L | @ | WSTU-SC-110L-NL |
| | 1-11/16 | 125115 | WSTU-SC-111 | @ | WSTU-SC-111-NL |
| | 1-3/4 | 125362 | WSTU-SC-112 | @ | WSTU-SC-112-NL |
| | 1-13/16 | 125121 | WSTU-SC-113 | @ | WSTU-SC-113-NL |
| | 45mm | 125915 | WSTU-SC-45M | @ | WSTU-SC-45M-NL |
| 210 | 1-15/16 | 125116 | WSTU-SC-115 | 125071 | WSTU-SC-115-NL |
| | 2 | 125363 | WSTU-SC-200 | 062691 | WSTU-SC-200-NL |
| | 50mm | 125916 | WSTU-SC-50M | 068374 | WSTU-SC-50M-NL |
| 211 | 2 | 135183 | WSTU-SCM-200 | 058705 | WSTU-SCM-200-NL |
| | 2-3/16 | 125117 | WSTU-SC-203 | @ | WSTU-SC-203-NL |
| | 2-1/4 | 125364 | WSTU-SC-204 | @ | WSTU-SC-204-NL |
| | 55mm | 125917 | WSTU-SC-55M | @ | WSTU-SC-55M-NL |
| 212 | 2-1/4 | 135184 | WSTU-SCM-204 | @ | WSTU-SCM-204-NL |
| | 2-7/16 | 125118 | WSTU-SC-207 | @ | WSTU-SC-207-NL |
| | 60mm | 125918 | WSTU-SC-60M | @ | WSTU-SC-60M-NL |
| 214 | 2-1/2 | 135185 | WSTU-SCM-208 | @ | WSTU-SCM-208-NL |
| | 2-11/16 | 064704 | WSTU-SC-211 | @ | WSTU-SC-211-NL |
| | 70mm | 062975 | WSTU-SC-70M | @ | WSTU-SC-70M-NL |
| 215 | 2-15/16 | 125119 | WSTU-SC-215 | @ | WSTU-SC-215-NL |
| | 75mm | 125919 | WSTU-SC-75M | @ | WSTU-SC-75M-NL |

@ Assembled to order

| | | | |
|--------------------------------|---------------------------|------------------------|---------------------------------|
| FEATURES/BENEFITS PAGE B3-2 | NOMENCLATURE PAGE B3-4 | SELECTION PAGE B3-5 | RELATED PRODUCTS PAGE B3-133 |
|--------------------------------|---------------------------|------------------------|---------------------------------|

SELECTION/DIMENSIONS



Setscrew Ball Bearings SC NORMAL DUTY WIDE SLOT TAKE-UP BEARINGS

| Series | Shaft Size | Weight lbs kg | Take-Up Frame Size | A | B | C* | D | E | F Screw Dia. | G |
|--------|------------|---------------------|--------------------------|---------|---------|--------|-------|---------|--------------------|-------|
| 209 | 1-5/8 | 6.1 | WS400 | 1-23/32 | 5-5/8 | 11/16 | 3-1/4 | 3-7/16 | 1 | 5/8 |
| | 1-11/16 | 6.0 | | | | | | | | |
| | 1-3/4 | 5.9 | | | | | | | | |
| | 1-13/16 | 5.8 | | | | | | | | |
| | 45mm | 2.7 | | | 43.7 | 142.9 | 17.5 | 82.6 | 87.3 | 25.4 |
| 210 | 1-15/16 | 6.4 | WS400 | 1-3/4 | 5-13/16 | 11/16 | 3-3/8 | 3-9/16 | 1 | 5/8 |
| | 2 | 6.2 | | | | | | | | |
| | 50mm | 2.9 | | | 44.5 | 147.6 | 17.5 | 85.7 | 90.5 | 25.4 |
| 211 | 2 | 10.1 | WS502 | 1-27/32 | 6-11/16 | 1-1/16 | 3-3/4 | 4-3/16 | 1-1/4 | 3/4 |
| | 2-3/16 | 10.0 | | | | | | | | |
| | 2-1/4 | 9.8 | | | | | | | | |
| | 55mm | 4.5 | | | 46.8 | 169.9 | 27.0 | 95.3 | 106.4 | 31.8 |
| 212 | 2-1/4 | 11.2 | WS502 | 1-63/64 | 7-1/2 | 1-1/16 | 4 | 4-11/16 | 1-1/4 | 3/4 |
| | 2-7/16 | 10.8 | | | | | | | | |
| | 60mm | 4.9 | | | 50.4 | 190.5 | 27.0 | 101.6 | 119.1 | 31.8 |
| 214 | 2-1/2 | 18.0 | WS515 | 2-15/64 | 8-9/16 | 1-1/16 | 4-3/4 | 5-3/8 | 1-1/2 | 13/16 |
| | 2-11/16 | 17.8 | | | | | | | | |
| | 70mm | 8.0 | | | 56.8 | 217.5 | 27.0 | 120.7 | 136.5 | 38.1 |
| 215 | 2-15/16 | 18.9 | WS515 | 2-9/32 | 9-1/8 | 1-1/16 | 4-3/4 | 5-1/2 | 1-1/2 | 13/16 |
| | 75mm | 8.6 | | 57.9 | 231.8 | 27.0 | 120.7 | 139.7 | 38.1 | 20.6 |

| Series | Shaft Size | H | J | K | L | M# | N | R | S | T |
|--------|------------|-------|-------|---------|---------|---------|---------|-------|---------|---------|
| 209 | 1-5/8 | 3/4 | 3-1/4 | 1-15/16 | 2-7/32 | 4 | 4-3/4 | 19/32 | 1-1/8 | 1-15/16 |
| | 1-11/16 | | | | | | | | | |
| | 1-3/4 | | | | | | | | | |
| | 1-13/16 | | | | | | | | | |
| | 45mm | 19.1 | 82.6 | 49.2 | 56.4 | 101.6 | 120.7 | 15.1 | 28.6 | 49.2 |
| 210 | 1-15/16 | 3/4 | 3-1/4 | 1-15/16 | 2-7/16 | 4 | 4-3/4 | 19/32 | 1-5/32 | 1-15/16 |
| | 2 | | | | | | | | | |
| | 50mm | 19.1 | 82.6 | 49.2 | 61.9 | 101.6 | 120.7 | 15.1 | 29.4 | 49.2 |
| 211 | 2 | 1 | 4 | 2-1/2 | 2-23/32 | 5-1/8 | 5-7/8 | 5/8 | 1-7/32 | 2-1/2 |
| | 2-3/16 | | | | | | | | | |
| | 2-1/4 | | | | | | | | | |
| | 55mm | 25.4 | 101.6 | 63.5 | 69.1 | 130.2 | 149.2 | 15.9 | 31.0 | 63.5 |
| 212 | 2-1/4 | 1-1/4 | 4 | 2-1/2 | 2-31/32 | 5-1/8 | 5-7/8 | 43/64 | 1-5/16 | 2-1/2 |
| | 2-7/16 | | | | | | | | | |
| | 60mm | 31.8 | 101.6 | 63.5 | 75.4 | 130.2 | 149.2 | 17.1 | 33.3 | 63.5 |
| 214 | 2-1/2 | 1-1/4 | 4-3/8 | 2-3/4 | 3-5/16 | 5-15/16 | 6-9/16 | 51/64 | 1-7/16 | 2-3/4 |
| | 2-11/16 | | | | | | | | | |
| | 70mm | 31.8 | 111.1 | 69.9 | 84.1 | 150.8 | 166.7 | 20.2 | 36.5 | 69.9 |
| 215 | 2-15/16 | 1-1/4 | 4-3/8 | 2-3/4 | 3-5/8 | 5-15/16 | 6-11/16 | 13/16 | 1-15/32 | 2-3/4 |
| | 75mm | 31.8 | 111.1 | 69.9 | 92.1 | 150.8 | 169.9 | 20.6 | 37.3 | 69.9 |

* + or -.015", + or -.38mm

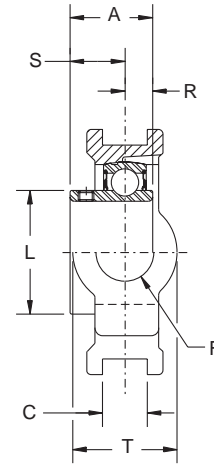
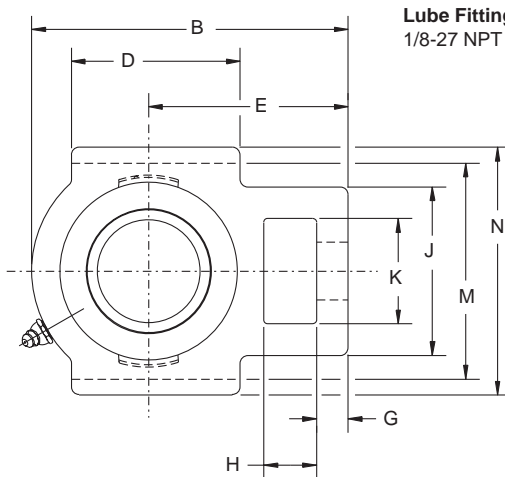
+.010, -.020" +.25mm, -.50mm

| | | | |
|--------------------------------|---------------------------|------------------------|---------------------------------|
| FEATURES/BENEFITS PAGE B3-2 | NOMENCLATURE PAGE B3-4 | SELECTION PAGE B3-5 | RELATED PRODUCTS PAGE B3-133 |
|--------------------------------|---------------------------|------------------------|---------------------------------|

SELECTION/DIMENSIONS



Setscrew Ball Bearings SCM MEDIUM DUTY WIDE SLOT TAKE-UP BEARINGS



| Series | Shaft Size | Part No. | Description |
|--------|------------|---------------|--------------|
| 206 | 1 | 135117 | WSTU-SCM-100 |
| | 25mm | 125989 | WSTU-SCM-25M |
| 207 | 1-3/16 | 135118 | WSTU-SCM-103 |
| | 1-1/4 | 125360 | WSTU-SC-104 |
| | 30mm | 125990 | WSTU-SCM-30M |
| 208 | 1-7/16 | 135116 | WSTU-SCM-107 |
| | 35mm | 125991 | WSTU-SCM-35M |
| 209 | 1-1/2 | 135120 | WSTU-SCM-108 |
| | 40mm | 125992 | WSTU-SCM-40M |
| 210 | 1-11/16 | 135121 | WSTU-SCM-111 |
| | 1-3/4 | 135182 | WSTU-SCM-112 |
| | 45mm | 125993 | WSTU-SCM-45M |

| | | | |
|--------------------------------|---------------------------|------------------------|---------------------------------|
| FEATURES/BENEFITS PAGE B3-2 | NOMENCLATURE PAGE B3-4 | SELECTION PAGE B3-5 | RELATED PRODUCTS PAGE B3-133 |
|--------------------------------|---------------------------|------------------------|---------------------------------|

SELECTION/DIMENSIONS



Setscrew Ball Bearings SCM MEDIUM DUTY WIDE SLOT TAKE-UP BEARINGS

| Series | Shaft Size | Weight lbs. kgs. | Take-Up Frame No. Ref. | A | B | C* | D | E | F Screw Dia. | G |
|--------|------------|------------------|------------------------|---------|---------|-------|-------|--------|--------------|------|
| 206 | 1 | 2.9 | WS308 | 1-25/64 | 4-3/8 | 17/32 | 2-1/4 | 2-3/4 | 3/4 | 3/8 |
| | 25mm | 1.4 | | 35.3 | 111.1 | 13.5 | 57.2 | 69.9 | 19.1 | 9.5 |
| 207 | 1-3/16 | 3.9 | WS308 | 1-17/32 | 4-7/8 | 17/32 | 2-1/2 | 3-1/16 | 3/4 | 1/2 |
| | 1-1/4 | 3.8 | | 38.9 | 123.8 | 13.5 | 63.5 | 77.8 | 19.1 | 12.7 |
| | 30mm | 1.7 | | | | | | | | |
| 208 | 1-7/16 | 6.1 | WS400 | 1-11/16 | 5-11/16 | 11/16 | 3-1/4 | 3-1/2 | 1 | 5/8 |
| | 35mm | 2.9 | | 42.9 | 144.5 | 17.5 | 82.6 | 88.9 | 25.40 | 15.9 |
| 209 | 1-1/2 | 6.0 | WS400 | 1-23/32 | 5-5/8 | 11/16 | 3-1/4 | 3-7/16 | 1 | 5/8 |
| | 40mm | 2.8 | | 43.7 | 142.9 | 17.5 | 82.6 | 87.3 | 25.40 | 15.9 |
| 210 | 1-11/16 | 6.5 | WS400 | 1-3/4 | 5-13/16 | 11/16 | 3-3/8 | 3-9/16 | 1 | 5/8 |
| | 1-3/4 | 6.4 | | 44.5 | 147.6 | 17.5 | 85.7 | 90.5 | 25.40 | 15.9 |
| | 45mm | 3.0 | | | | | | | | |

| Series | Shaft Size | H | J | K | L | M# | N | R | S | T |
|--------|------------|------|--------|---------|---------|-------|-------|-------|--------|---------|
| 206 | 1 | 5/8 | 2-3/16 | 1-7/16 | 1-37/64 | 3-1/2 | 4-1/8 | 31/64 | 29/32 | 1-5/8 |
| | 25mm | 15.9 | 55.6 | 36.5 | 40.1 | 88.9 | 104.8 | 12.3 | 23.0 | 41.3 |
| 207 | 1-3/16 | 5/8 | 2-1/2 | 1-7/16 | 1-27/32 | 3-1/2 | 4-1/8 | 1/2 | 1-1/32 | 1-5/8 |
| | 1-1/4 | 15.9 | 63.5 | 36.5 | 46.8 | 88.9 | 104.8 | 12.7 | 26.2 | 41.3 |
| | 30mm | | | | | | | | | |
| 208 | 1-7/16 | 3/4 | 3-1/4 | 1-15/16 | 2-3/64 | 4 | 4-1/2 | 19/32 | 1-3/32 | 1-15/16 |
| | 35mm | 19.1 | 82.6 | 49.2 | 52.0 | 101.6 | 114.3 | 15.1 | 27.8 | 49.2 |
| 209 | 1-1/2 | 3/4 | 3-1/4 | 1-15/16 | 2-7/32 | 4 | 4-3/4 | 19/32 | 1-1/8 | 1-15/16 |
| | 40mm | 19.1 | 82.6 | 49.2 | 56.4 | 101.6 | 120.7 | 15.1 | 28.6 | 49.2 |
| 210 | 1-11/16 | 3/4 | 3-1/4 | 1-15/16 | 2-7/16 | 4 | 4-3/4 | 19/32 | 1-5/32 | 1-15/16 |
| | 1-3/4 | 19.1 | 82.6 | 49.2 | 61.9 | 101.6 | 20.7 | 15.1 | 29.4 | 49.2 |
| | 45mm | | | | | | | | | |

* + or -.015, + or -.38mm #+.010, -.020" +.25mm, -.50mm

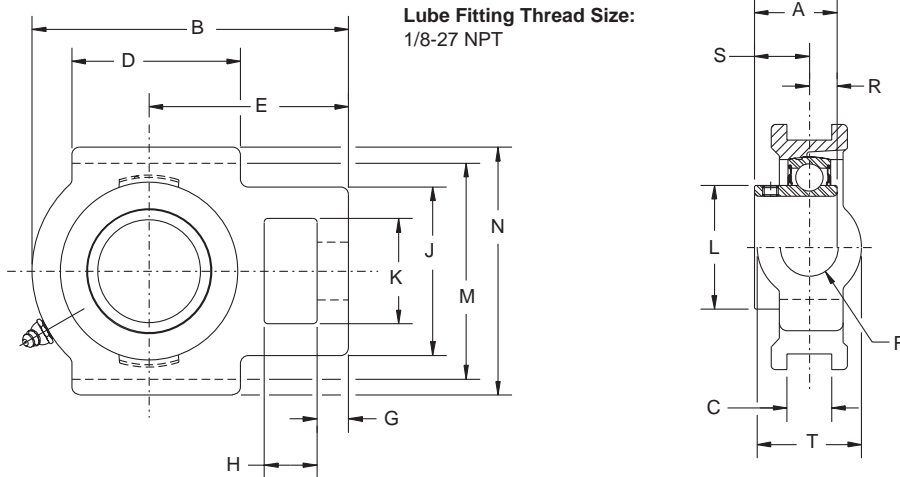
| | | | |
|--------------------------------|---------------------------|------------------------|---------------------------------|
| FEATURES/BENEFITS PAGE B3-2 | NOMENCLATURE PAGE B3-4 | SELECTION PAGE B3-5 | RELATED PRODUCTS PAGE B3-133 |
|--------------------------------|---------------------------|------------------------|---------------------------------|

SELECTION/DIMENSIONS

DODGE®



Setscrew Ball Bearings SCM MEDIUM DUTY WIDE SLOT TAKE-UP BEARINGS



| Series | Shaft Size | Part No. | Description |
|--------|------------|---------------|--------------|
| 211 | 1-15/16 | 135123 | WSTU-SCM-115 |
| | 2 | 135183 | WSTU-SCM-200 |
| | 50mm | 125994 | WSTU-SCM-50M |
| 212 | 2-3/16 | 135125 | WSTU-SCM-203 |
| | 2-1/4 | 135184 | WSTU-SCM-204 |
| | 55mm | 125995 | WSTU-SCM-55M |
| 214 | 2-7/16 | 135127 | WSTU-SCM-207 |
| | 2-1/2 | 135185 | WSTU-SCM-208 |
| | 65mm | 125996 | WSTU-SCM-65M |
| 215 | 2-11/16 | 135129 | WSTU-SCM-211 |
| | 70mm | 125997 | WSTU-SCM-70M |
| 216 | 2-15/16 | 135130 | WSTU-SCM-215 |
| | 3 | 135181 | WSTU-SCM-300 |
| | 75mm | 125998 | WSTU-SCM-75M |

FEATURES/BENEFITS
PAGE B3-2

NOMENCLATURE
PAGE B3-4

SELECTION
PAGE B3-5

RELATED PRODUCTS
PAGE B3-133

SELECTION/DIMENSIONS



Setscrew Ball Bearings SCM MEDIUM DUTY WIDE SLOT TAKE-UP BEARINGS

| Series | Shaft Size | Weight lbs. kgs. | Take-Up Frame No. Ref. | A | B | C* | D | E | F Screw Dia. | G |
|--------|------------|------------------|------------------------|---------|---------|--------|--------|---------|--------------|-------|
| 211 | 1-15/16 | 10.1 | WS502 | 1-27/32 | 6-11/16 | 1-1/16 | 3-3/4 | 4-3/16 | 1-1/4 | 3/4 |
| | 2 | 10.2 | | 46.8 | 159.9 | 27.0 | 95.3 | 106.4 | 31.8 | 19.1 |
| | 50mm | 4.7 | | | | | | | | |
| 212 | 2-3/16 | 11.4 | WS502 | 1-63/64 | 7-1/2 | 1-1/16 | 4 | 4-11/16 | 1-1/4 | 3/4 |
| | 2-1/4 | 11.2 | | 50.4 | 190.5 | 27.0 | 101.60 | 119.1 | 31.8 | 19.1 |
| | 55mm | 5.1 | | | | | | | | |
| 214 | 2-7/16 | 18.2 | WS515 | 2-15/64 | 8-9/16 | 1-1/16 | 4-3/4 | 5-3/8 | 1-1/2 | 13/16 |
| | 2-1/2 | 18.0 | | 56.8 | 217.5 | 27.0 | 120.7 | 136.5 | 38.1 | 20.6 |
| | 65mm | 8.1 | | | | | | | | |
| 215 | 2-11/16 | 19.0 | WS515 | 2-9/32 | 9-1/8 | 1-1/16 | 4-3/4 | 5-1/2 | 1-1/2 | 13/16 |
| | 70mm | 8.9 | | 57.9 | 231.8 | 27.0 | 120.7 | 139.7 | 38.1 | 20.6 |
| | | | | | | | | | | |
| 216 | 2-15/16 | 21.7 | WS608 | 2-11/64 | 9-1/8 | 1-1/16 | 4-3/4 | 5-1/2 | 1-1/2 | 13/16 |
| | 3 | 21.5 | | 55.2 | 231.8 | 27.0 | 120.7 | 139.7 | 38.1 | 20.6 |
| | 75mm | 9.5 | | | | | | | | |

| Series | Shaft Size | H | J | K | L | M# | N | R | S | T |
|--------|------------|-------|--------|-------|---------|---------|---------|-------|---------|-------|
| 211 | 1-15/16 | 1 | 4 | 2-1/2 | 2-23/32 | 5-1/8 | 5-7/8 | 5/8 | 1-7/32 | 2-1/2 |
| | 2 | 25.4 | 101.6 | 63.5 | 69.1 | 130.2 | 149.2 | 15.9 | 31.0 | 63.5 |
| | 50mm | | | | | | | | | |
| 212 | 2-3/16 | 1-1/4 | 4 | 2-1/2 | 2-31/32 | 5-1/8 | 5-7/8 | 43/64 | 1-5/16 | 2-1/2 |
| | 2-1/4 | 31.8 | 101.60 | 63.5 | 75.4 | 130.2 | 149.2 | 17.1 | 33.3 | 63.5 |
| | 55mm | | | | | | | | | |
| 214 | 2-7/16 | 1-1/4 | 4-3/8 | 2-3/4 | 3-5/16 | 5-15/16 | 6-9/16 | 51/64 | 1-7/16 | 2-3/4 |
| | 2-1/2 | 31.8 | 111.1 | 69.9 | 84.1 | 150.8 | 166.7 | 20.2 | 36.5 | 69.9 |
| | 65mm | | | | | | | | | |
| 215 | 2-11/16 | 1-1/4 | 4-3/8 | 2-3/4 | 3-5/8 | 5-15/16 | 6-11/16 | 13/16 | 1-15/32 | 2-3/4 |
| | 70mm | 31.8 | 111.1 | 69.9 | 92.1 | 150.8 | 169.9 | 20.6 | 37.3 | 69.9 |
| | | | | | | | | | | |
| 216 | 2-15/16 | 1-1/4 | 4-3/8 | 2-3/4 | 3-53/64 | 6-1/2 | 7-1/4 | 43/64 | 1-1/23 | 2-3/4 |
| | 3 | 31.8 | 111.1 | 69.9 | 97.2 | 165.1 | 184.2 | 17.1 | 38.1 | 69.9 |
| | 75mm | | | | | | | | | |

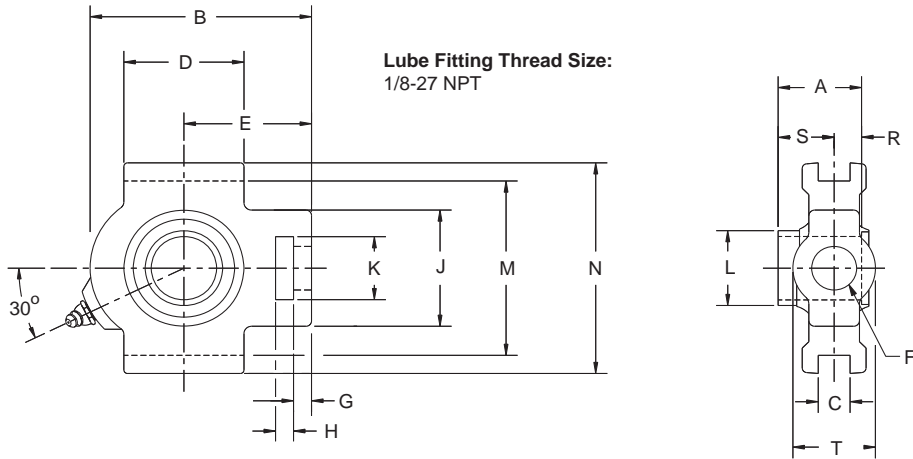
* + or -.015, + or -.38mm #+.010, -.020" +.25mm, -.50mm

| | | | |
|--------------------------------|---------------------------|------------------------|---------------------------------|
| FEATURES/BENEFITS PAGE B3-2 | NOMENCLATURE PAGE B3-4 | SELECTION PAGE B3-5 | RELATED PRODUCTS PAGE B3-133 |
|--------------------------------|---------------------------|------------------------|---------------------------------|

SELECTION/DIMENSIONS



Setscrew Ball Bearings VSC INTERMEDIATE DUTY WIDE SLOT TAKE-UP BEARINGS



| Series | Shaft Size | Part No. | Description |
|--------|------------|---------------|---------------|
| 204 | 3/4 | 125549 | WSTU-VSC-012 |
| | 20mm | @ | WSTU-VSC-20M |
| 205 | 7/8 | 125550 | WSTU-VSC-014 |
| | 15/16 | 125551 | WSTU-VSC-015 |
| | 1 | 125552 | WSTU-VSC-100 |
| | 25mm | @ | WSTU-VSC-25M |
| 206 | 1-1/8 | 125553 | WSTU-VSC-102 |
| | 1-3/16 | 125554 | WSTU-VSC-103 |
| | 1-1/4 | 125556 | WSTU-VSC-104S |
| | 30mm | @ | WSTU-VSC-30M |
| 207 | 1-1/4 | 125555 | WSTU-VSC-104 |
| | 1-3/8 | 125557 | WSTU-VSC-106 |
| | 1-7/16 | 125558 | WSTU-VSC-107 |
| | 35mm | @ | WSTU-VSC-35M |

@ Assembled to order

| | | | |
|--------------------------------|---------------------------|------------------------|---------------------------------|
| FEATURES/BENEFITS PAGE B3-2 | NOMENCLATURE PAGE B3-4 | SELECTION PAGE B3-5 | RELATED PRODUCTS PAGE B3-133 |
|--------------------------------|---------------------------|------------------------|---------------------------------|

SELECTION/DIMENSIONS



Setscrew Ball Bearings VSC INTERMEDIATE DUTY WIDE SLOT TAKE-UP BEARINGS

| Series | Shaft Size | Weight lbs. kg. | Take-Up Frame No. Ref. | A | B | C* | D | E | F Screw Dia. | G |
|--------|------------|-----------------|------------------------|---------|---------|-------|-------|--------|--------------|------|
| 204 | 3/4 | 1.9 | WS300 | 1-1/16 | 3-11/16 | 17/32 | 2 | 2-3/8 | 5/8 | 3/8 |
| | 20mm | 0.87 | | 27.0 | 93.7 | 13.5 | 50.8 | 60.3 | 15.9 | 9.5 |
| 205 | 7/8 | 2.2 | WS300 | 1-3/32 | 3-13/16 | 17/32 | 2 | 2-7/16 | 5/8 | 3/8 |
| | 15/16 | 2.1 | | 27.8 | 96.8 | 13.5 | 50.8 | 61.9 | 15.9 | 9.5 |
| | 1 | 2.0 | | 27.8 | 96.8 | 13.5 | 50.8 | 61.9 | 15.9 | 9.5 |
| 206 | 25mm | 0.96 | WS308 | 1-19/64 | 4-3/8 | 17/32 | 2-1/4 | 2-3/4 | 3/4 | 3/8 |
| | 1-1/8 | 3.0 | | 32.9 | 111.1 | 13.5 | 57.2 | 69.9 | 19.1 | 9.5 |
| | 1-3/16 | 2.9 | | 32.9 | 111.1 | 13.5 | 57.2 | 69.9 | 19.1 | 9.5 |
| 207 | 1-1/4 | 3.8 | WS308 | 1-7/16 | 4-7/8 | 17/32 | 2-1/2 | 3-1/16 | 3/4 | 1/2 |
| | 1-3/8 | 3.6 | | 36.5 | 123.8 | 13.5 | 63.5 | 77.8 | 19.1 | 12.7 |
| | 1-7/16 | 3.5 | | 36.5 | 123.8 | 13.5 | 63.5 | 77.8 | 19.1 | 12.7 |
| 35mm | 1.65 | 36.5 | 123.8 | 13.5 | 63.5 | 77.8 | 19.1 | 12.7 | | |

| Series | Shaft Size | H | J | K | L | M# | N | R | S | T |
|--------|------------|------|--------|--------|---------|-------|-------|------|-------|-------|
| 204 | 3/4 | 5/8 | 2 | 1-1/4 | 1-1/8 | 3 | 3-5/8 | 5/16 | 21/64 | 1-3/8 |
| | 20mm | 15.9 | 50.8 | 31.8 | 28.6 | 76.2 | 92.1 | 7.9 | 8.3 | 34.9 |
| 205 | 7/8 | 5/8 | 2 | 1-5/16 | 1-21/64 | 3 | 3-5/8 | 5/16 | 21/64 | 1-3/8 |
| | 15/16 | 5/8 | 2 | 1-5/16 | 1-21/64 | 3 | 3-5/8 | 5/16 | 21/64 | 1-3/8 |
| | 1 | 5/8 | 2 | 1-5/16 | 1-21/64 | 3 | 3-5/8 | 5/16 | 21/64 | 1-3/8 |
| 206 | 25mm | 15.9 | 50.8 | 33.3 | 33.7 | 76.2 | 92.1 | 7.9 | 8.3 | 34.9 |
| | 1-1/8 | 5/8 | 2-3/16 | 1-7/16 | 1-37/64 | 3-1/2 | 4-1/8 | 5/16 | 25/64 | 1-5/8 |
| | 1-3/16 | 5/8 | 2-3/16 | 1-7/16 | 1-37/64 | 3-1/2 | 4-1/8 | 5/16 | 25/64 | 1-5/8 |
| 207 | 1-1/4 | 5/8 | 2-1/2 | 1-7/16 | 1-27/32 | 3-1/2 | 4-1/8 | 5/16 | 13/32 | 1-5/8 |
| | 1-3/8 | 5/8 | 2-1/2 | 1-7/16 | 1-27/32 | 3-1/2 | 4-1/8 | 5/16 | 13/32 | 1-5/8 |
| | 1-7/16 | 5/8 | 2-1/2 | 1-7/16 | 1-27/32 | 3-1/2 | 4-1/8 | 5/16 | 13/32 | 1-5/8 |
| 35mm | 15.9 | 63.5 | 63.5 | 36.5 | 46.8 | 88.9 | 104.8 | 7.9 | 10.3 | 41.3 |

* + or .015", + or -.38mm

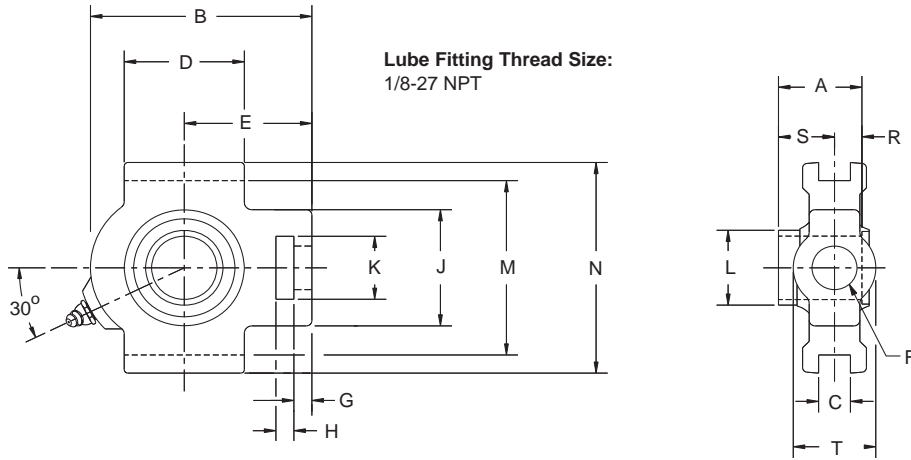
+.010, -.020" +.25, -.50mm

| | | | |
|--------------------------------|---------------------------|------------------------|---------------------------------|
| FEATURES/BENEFITS PAGE B3-2 | NOMENCLATURE PAGE B3-4 | SELECTION PAGE B3-5 | RELATED PRODUCTS PAGE B3-133 |
|--------------------------------|---------------------------|------------------------|---------------------------------|

SELECTION/DIMENSIONS



Setscrew Ball Bearings VSC INTERMEDIATE DUTY WIDE SLOT TAKE-UP BEARINGS



| Series | Shaft Size | Part No. | Description |
|--------|--------------------------|--------------------|------------------------------|
| 208 | 1-1/2 40mm | 125559 @ | WSTU-VSC-108 WSTU-VSC-40M |
| 209 | 1-11/16 1-3/4 45mm | 125560 | WSTU-VSC-111 |
| | | 125561 @ | WSTU-VSC-112 WSTU-VSC-45M |
| 210 | 1-15/16 2 50mm | 125562 | WSTU-VSC-115 |
| | | 125563 @ | WSTU-VSC-200 WSTU-VSC-50M |
| | | 125564 | WSTU-VSC-200L |
| 211 | 2-3/16 55mm | 125565 @ | WSTU-VSC-203 WSTU-VSC-55M |

@ Assembled to order

| | | | |
|--------------------------------|---------------------------|------------------------|---------------------------------|
| FEATURES/BENEFITS PAGE B3-2 | NOMENCLATURE PAGE B3-4 | SELECTION PAGE B3-5 | RELATED PRODUCTS PAGE B3-133 |
|--------------------------------|---------------------------|------------------------|---------------------------------|

SELECTION/DIMENSIONS



Setscrew Ball Bearings VSC INTERMEDIATE DUTY WIDE SLOT TAKE-UP BEARINGS

Bearing Quick Reference

E-Z KLEEN

GRIP TIGHT Adapter Ball Bearing

Set Screw Ball Bearing

Eccentric Collar Ball Bearing

| Series | Shaft Size | Weight lbs. kg. | Take-Up Frame No. Ref. | A | B | C* | D | E | F Screw Dia. | G |
|--------|------------|-----------------|------------------------|---------|---------|--------|-------|--------|--------------|------|
| 208 | 1-1/2 | 6.1 | WS400 | 1-9/16 | 5-11/16 | 11/16 | 3-1/4 | 3-1/2 | 1 | 5/8 |
| | 40mm | 2.80 | | 39.7 | 144.5 | 17.5 | 82.6 | 88.9 | 25.4 | 15.9 |
| 209 | 1-11/16 | 6.0 | WS400 | 1-19/32 | 5-5/8 | 11/16 | 3-1/4 | 3-7/16 | 1 | 5/8 |
| | 1-3/4 | 5.9 | | 40.5 | 142.9 | 17.5 | 82.6 | 87.3 | 25.4 | 15.9 |
| | 45mm | 2.76 | | | | | | | | |
| 210 | 1-15/16 | 6.4 | WS400 | 1-5/8 | 5-13/16 | 11/16 | 3-3/8 | 3-9/16 | 1 | 5/8 |
| | 2 | 6.2 | | 41.3 | 147.6 | 17.5 | 85.7 | 90.5 | 25.4 | 15.9 |
| | 50mm | 2.94 | | | | | | | | |
| 211 | 2 | 10.1 | WS502 | 1-23/32 | 6-11/16 | 1-1/16 | 3-3/4 | 4-3/16 | 1-1/4 | 3/4 |
| | 2-3/16 | 10.0 | | 43.7 | 169.9 | 27.0 | 95.3 | 106.4 | 31.8 | 19.1 |
| | 55mm | 4.65 | | | | | | | | |

| Series | Shaft Size | H | J | K | L | M# | N | R | S | T |
|--------|------------|------|-------|---------|---------|-------|-------|------|-------|---------|
| 208 | 1-1/2 | 3/4 | 3-1/4 | 1-15/16 | 2-3/64 | 4 | 4-1/2 | 3/8 | 15/32 | 1-15/16 |
| | 40mm | 19.1 | 82.6 | 49.2 | 52.0 | 101.6 | 114.3 | 9.5 | 11.9 | 49.2 |
| 209 | 1-11/16 | 3/4 | 3-1/4 | 1-15/16 | 2-7/32 | 4 | 4-3/4 | 3/8 | 15/32 | 1-15/16 |
| | 1-3/4 | 19.1 | 82.6 | 49.2 | 56.4 | 101.6 | 120.7 | 9.5 | 11.9 | 49.2 |
| | 45mm | | | | | | | | | |
| 210 | 1-15/16 | 3/4 | 3-1/4 | 1-15/16 | 2-7/16 | 4 | 4-3/4 | 3/8 | 15/32 | 1-15/16 |
| | 2 | 19.1 | 82.6 | 49.2 | 61.9 | 101.6 | 120.7 | 9.5 | 11.9 | 49.2 |
| | 50mm | | | | | | | | | |
| 211 | 2 | 1 | 4 | 2-1/2 | 2-23/32 | 5-1/8 | 5-7/8 | 7/16 | 1/2 | 2-1/2 |
| | 2-3/16 | 25.4 | 101.6 | 63.5 | 69.1 | 130.2 | 149.2 | 11.1 | 12.7 | 63.5 |
| | 55mm | | | | | | | | | |

* + or .015", + or -.38mm

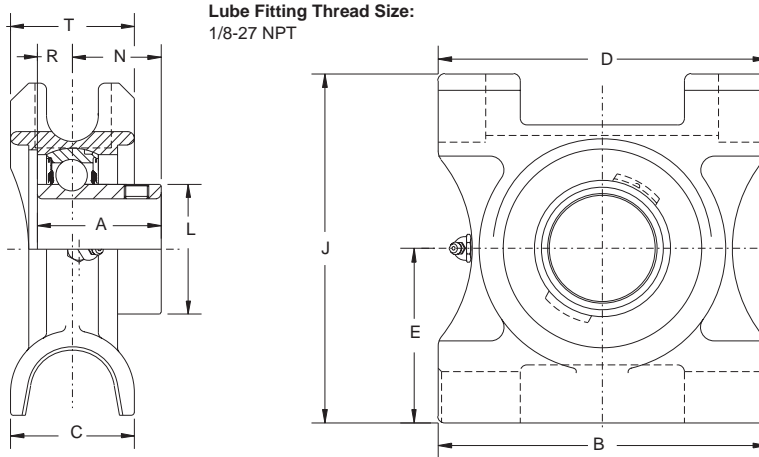
+.010, -.020" +.25, -.50mm

| | | | |
|--------------------------------|---------------------------|------------------------|---------------------------------|
| FEATURES/BENEFITS PAGE B3-2 | NOMENCLATURE PAGE B3-4 | SELECTION PAGE B3-5 | RELATED PRODUCTS PAGE B3-133 |
|--------------------------------|---------------------------|------------------------|---------------------------------|

SELECTION/DIMENSIONS



Setscrew Ball Bearings TYPE G NORMAL DUTY TOP ANGLE TAKE-UP BEARINGS



| Series | Shaft Size | Part No. | Description |
|--------|------------|---------------|-------------|
| 210 | 1-15/16 | 012340 | TP-G-115 |
| | 2 | 012302 | TP-G-200 |
| 211 | 2 | 136081 | TP-GM-200 |
| | 2-3/16 | 012341 | TP-G-203 |
| | 2-1/4 | 012303 | TP-G-204 |
| 212 | 2-1/4 | 136082 | TP-GM-204 |
| | 2-7/16 | 012342 | TP-G-207 |
| 214 | 2-1/2 | 136083 | TP-GM-208 |
| | 2-11/15 | @ | TP-G-211 |
| 215 | 2-15/16 | 012343 | TP-G-215 |

@ Assembled to order

| | | | |
|--------------------------------|---------------------------|------------------------|---------------------------------|
| FEATURES/BENEFITS PAGE B3-2 | NOMENCLATURE PAGE B3-4 | SELECTION PAGE B3-5 | RELATED PRODUCTS PAGE B3-133 |
|--------------------------------|---------------------------|------------------------|---------------------------------|

SELECTION/DIMENSIONS



Setscrew Ball Bearings TYPE G NORMAL DUTY TOP ANGLE TAKE-UP BEARINGS

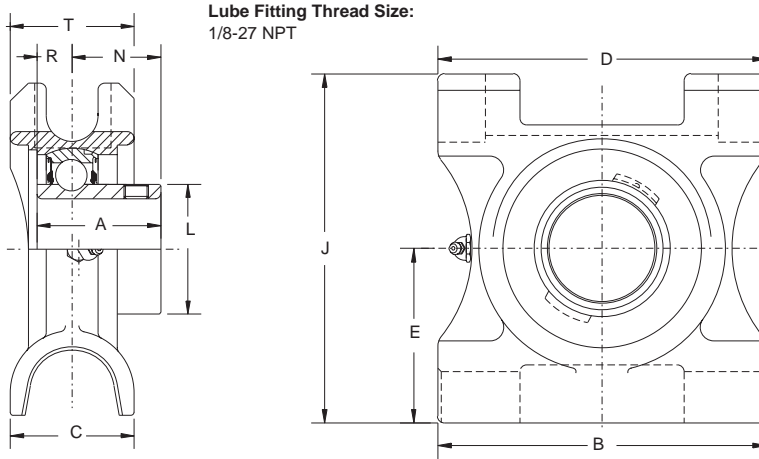
| Series | Shaft Size | Weight lbs. | Frame Size | A | B | C | D | E | J | L | N | R | T |
|--------|------------------|----------------------|------------|---------|-------|-------|-------|-------|---------|---------|---------|-------|-------|
| 210 | 1-15/16 2 | 10.2 10.0 | TP10 | 1-3/4 | 6-1/2 | 2-3/8 | 6 | 3-1/4 | 6-3/8 | 2-7/16 | 1-5/32 | 19/32 | 2-3/8 |
| 211 | 2-3/16 2-1/4 | 12.5 12.4 1.02 | TP20 | 1-27/32 | 7 | 2-1/2 | 6-3/4 | 3-3/8 | 6-7/8 | 2-23/32 | 1-7/32 | 5/8 | 2-3/8 |
| 212 | 2-1/4 2-7/16 | 16.0 15.9 | TP30 | 1-63/64 | 7-1/2 | 2-3/4 | 7 | 3-1/2 | 7-7/16 | 2-31/32 | 1-5/16 | 43/64 | 2-3/4 |
| 214 | 2-1/2 2-11/15 | 21.3 21.1 | TP40 | 2-15/64 | 8-1/2 | 2-1/2 | 8 | 4 | 8-15/16 | 3-5/16 | 1-7/16 | 51-64 | 2-3/4 |
| 215 | 2-15/16 | 21.2 | TP40 | 2-9/64 | 8-1/2 | 2-1/2 | 8 | 4 | 8-5/16 | 3-5/8 | 1-15/32 | 13/16 | 2-3/4 |

| | | | |
|--------------------------------|---------------------------|------------------------|---------------------------------|
| FEATURES/BENEFITS PAGE B3-2 | NOMENCLATURE PAGE B3-4 | SELECTION PAGE B3-5 | RELATED PRODUCTS PAGE B3-133 |
|--------------------------------|---------------------------|------------------------|---------------------------------|

SELECTION/DIMENSIONS



Setscrew Ball Bearings TYPE GM MEDIUM DUTY TOP ANGLE TAKE-UP BEARINGS



| Series | Shaft Size | Part No. | Description |
|--------|------------|---------------|-------------|
| 210 | 1-11/16 | 136070 | TP-GM-111 |
| | 1-3/4 | 136080 | TP-GM-112 |
| 211 | 1-15/16 | 136071 | TP-GM-115 |
| | 2 | 136081 | TP-GM-200 |
| 212 | 2-3/16 | 136072 | TP-GM-203 |
| | 2-1/4 | 136082 | TP-GM-204 |
| 214 | 2-7/16 | 136073 | TP-GM-207 |
| | 2-1/2 | 136083 | TP-GM-208 |
| 215 | 2-11/16 | 136076 | TP-GM-211 |
| 216 | 2-15/16 | 136074 | TP-GM-215 |
| | 3 | 136084 | TP-GM-300 |
| 218 | 3-7/16 | 136075 | TP-GM-307 |
| | 3-1/2 | 136085 | TP-GM-308 |

| | | | |
|--------------------------------|---------------------------|------------------------|---------------------------------|
| FEATURES/BENEFITS PAGE B3-2 | NOMENCLATURE PAGE B3-4 | SELECTION PAGE B3-5 | RELATED PRODUCTS PAGE B3-133 |
|--------------------------------|---------------------------|------------------------|---------------------------------|

SELECTION/DIMENSIONS



Setscrew Ball Bearings

TYPE GM MEDIUM DUTY TOP ANGLE TAKE-UP BEARINGS

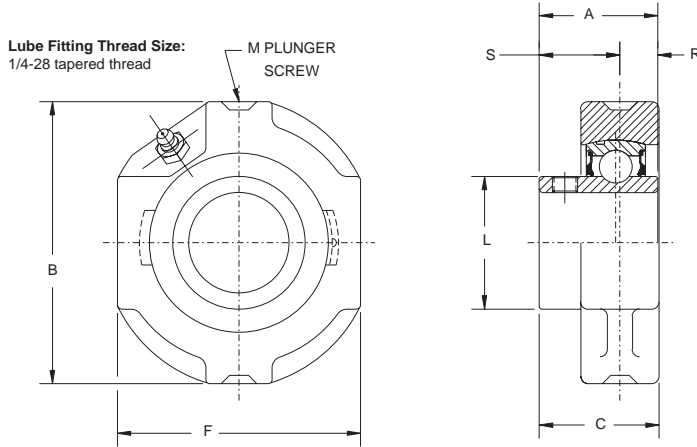
| Series | Shaft Size | Weight lbs. | Frame Size | A | B | C | D | E | J | L | N | R | T |
|--------|------------------|--------------|------------|---------|-------|-------|--------|-------|--------|---------|---------|-------|-------|
| 210 | 1-11/16 1-3/4 | 10.4 10.0 | TP10 | 1-3/4 | 6-1/2 | 2-3/8 | 6 | 3-1/4 | 6-3/8 | 2-7/16 | 1-5/32 | 19/32 | 2-3/8 |
| 211 | 1-15/16 2 | 12.8 12.5 | TP20 | 1-27/32 | 7 | 2-1/2 | 6-3/4 | 3-3/8 | 6-7/8 | 2-23/32 | 1-7/32 | 5/8 | 2-3/8 |
| 212 | 2-3/16 2-1/4 | 16.2 16.0 | TP30 | 1-63/64 | 7-1/2 | 2-3/4 | 7 | 3-1/2 | 7-7/16 | 2-31/32 | 1-5/16 | 43/64 | 2-3/4 |
| 214 | 2-7/16 2-1/2 | 21.7 21.0 | TP40 | 2-15/64 | 8-1/2 | 2-1/2 | 8 | 4 | 8-5/16 | 3-5/16 | 1-7/16 | 51/64 | 2-3/4 |
| 215 | 2-11/16 | 25.0 | TP40 | 2-9/32 | 8-1/2 | 2-1/2 | 8 | 4 | 8-5/16 | 3-5/8 | 1-15/32 | 13/16 | 2-3/4 |
| 216 | 2-15/16 3 | 29.8 29.5 | TP50 | 2-11/64 | 9-1/2 | 2-3/4 | 9 | 4-1/2 | 9-5/8 | 3-53/64 | 1-1/2 | 43/64 | 3-1/8 |
| 218 | 3-7/16 3-1/2 | 40.2 40.0 | TP60 | 2-31/64 | 11 | 3-1/8 | 10-1/2 | 5-1/2 | 11 | 4-23/64 | 1-9/16 | 59/64 | 3-1/8 |

| | | | |
|--------------------------------|---------------------------|------------------------|---------------------------------|
| FEATURES/BENEFITS PAGE B3-2 | NOMENCLATURE PAGE B3-4 | SELECTION PAGE B3-5 | RELATED PRODUCTS PAGE B3-133 |
|--------------------------------|---------------------------|------------------------|---------------------------------|

SELECTION/DIMENSIONS



Setscrew Ball Bearings SC NORMAL DUTY HANGER BEARINGS



| Series | Shaft Size | Part No. | Description |
|--------|------------|---------------|-------------|
| 206 | 1-1/16 | 124420 | HNG-SC-101 |
| | 1-1/8 | 124421 | HNG-SC-102 |
| | 1-3/16 | 124240 | HNG-SC-103 |
| | 1-1/4 | 123176 | HNG-SC-104S |
| 207 | 1-1/4 | 124422 | HNG-SC-104 |
| | 1-5/16 | 124423 | HNG-SC-105 |
| | 1-3/8 | 124424 | HNG-SC-106 |
| | 1-7/16 | 124242 | HNG-SC-107 |
| 210 | 1-15/16 | 124245 | HNG-SC-115 |
| | 2 | 124393 | HNG-SC-200 |

These bearings are designed for use in 4-point hanger frames.

| | | | |
|--------------------------------|---------------------------|------------------------|---------------------------------|
| FEATURES/BENEFITS PAGE B3-2 | NOMENCLATURE PAGE B3-4 | SELECTION PAGE B3-5 | RELATED PRODUCTS PAGE B3-133 |
|--------------------------------|---------------------------|------------------------|---------------------------------|

SELECTION/DIMENSIONS



Setscrew Ball Bearings SC NORMAL DUTY HANGER BEARINGS

Bearing Quick Reference

E-Z KLEEN

GRIP TIGHT Adapter Ball Bearing

Set Screw Ball Bearing

Eccentric Collar Ball Bearing

| Series | Shaft Size | Weight lbs. | A | B | C | F | L | M | R | S |
|--------|------------|-------------|---------|-------|---------|--------|---------|-----|-------|--------|
| 206 | 1-1/16 | 2.0 | 1-25/64 | 3-5/8 | 1-15/32 | 3 | 1-37/64 | 1/2 | 31/64 | 29/32 |
| | 1-1/8 | 1.9 | | | | | | | | |
| | 1-3/16 | 1.8 | | | | | | | | |
| | 1-1/4 | 1.7 | | | | | | | | |
| 207 | 1-1/4 | 2.8 | 1-17/32 | 4-1/4 | 1-43/64 | 3-1/2 | 1-27/32 | 1/2 | 1/2 | 1-1/32 |
| | 1-5/16 | 2.6 | | | | | | | | |
| | 1-3/8 | 2.4 | | | | | | | | |
| | 1-7/16 | 2.2 | | | | | | | | |
| 210 | 1-15/16 | 6.2 | 1-3/4 | 5 | 1-31/32 | 4-3/16 | 2-7/16 | 5/8 | 19/32 | 1-5/32 |
| | 2 | 6.0 | | | | | | | | |

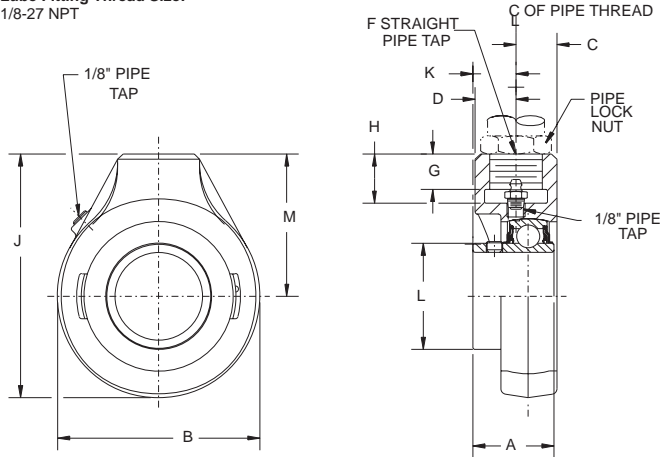
| | | | |
|--------------------------------|---------------------------|------------------------|---------------------------------|
| FEATURES/BENEFITS PAGE B3-2 | NOMENCLATURE PAGE B3-4 | SELECTION PAGE B3-5 | RELATED PRODUCTS PAGE B3-133 |
|--------------------------------|---------------------------|------------------------|---------------------------------|

SELECTION/DIMENSIONS



Setscrew Ball Bearings SC NORMAL DUTY SCREW CONVEYOR HANGER BEARINGS

Lube Fitting Thread Size:
1/8-27 NPT



| Series | Shaft Size | Part No. | Description |
|--------|------------|---------------|-------------|
| 206 | 1 | 057878 | SCHB-SC-100 |
| | 1-1/8 | @ | SCHB-SC-102 |
| 207 | 1-3/16 | 057220 | SCHB-SC-103 |
| | 1-1/4 | 124996 | SCHB-SC-104 |
| | 1-3/8 | 058630 | SCHB-SC-106 |
| 208 | 1-7/16 | 126049 | SCHB-SC-107 |
| | 1-1/2 | 124290 | SCHB-SC-108 |
| | 1-5/8 | 124404 | SCHB-SC-110 |
| 210 | 1-11/16 | 124408 | SCHB-SC-111 |
| | 1-3/4 | 124299 | SCHB-SC-112 |
| | 1-15/16 | 124405 | SCHB-SC-115 |
| | 2 | 124291 | SCHB-SC-200 |
| 212 | 2-3/16 | 124409 | SCHB-SC-203 |
| | 2-1/4 | 124419 | SCHB-SC-204 |
| | 2-7/16 | 124292 | SCHB-SC-207 |
| 216 | 2-15/16 | 124406 | SCHB-SC-215 |
| | 3 | 124293 | SCHB-SC-300 |
| 218 | 3-7/16 | 053320 | SCHB-SC-307 |
| | 3-1/2 | 057361 | SCHB-SC-308 |

@ Assembled to order

| | | | |
|--------------------------------|---------------------------|------------------------|---------------------------------|
| FEATURES/BENEFITS PAGE B3-2 | NOMENCLATURE PAGE B3-4 | SELECTION PAGE B3-5 | RELATED PRODUCTS PAGE B3-133 |
|--------------------------------|---------------------------|------------------------|---------------------------------|

SELECTION/DIMENSIONS



Setscrew Ball Bearings SC NORMAL DUTY SCREW CONVEYOR HANGER BEARINGS

Bearing Quick Reference

E-Z KLEEN

GRIP TIGHT Adapter Ball Bearing

Set Screw Ball Bearing

Eccentric Collar Ball Bearing

| Series | Size | Weight Lbs. | A | B | C | D | F* | G | H | J | K | L | M |
|--------|------------|-------------|---------|--------|---------|---------|----------------|-------|---------|---------|---------|---------|-------|
| 206 | 1 1-1/8 | 3.0 | 1-25/64 | 3-1/8 | 53/64 | 47/64 | 3/4 - 14 | 3/4 | 15/16 | 4-1/16 | 55/64 | 1-37/64 | 2-1/2 |
| 207 | 1-3/16 | 3.5 | 1-17/32 | 3-7/8 | 53/64 | 53/64 | 3/4 - 14 | 5/8 | 15/16 | 4-11/16 | 31/32 | 1-27/32 | 2-3/4 |
| | 1-1/4 | 3.5 | | | | | | | | | | | |
| | 1-3/8 | 3.5 | | | | | | | | | | | |
| 208 | 1-7/16 | 3.4 | 1-11/16 | 4 | 53/64 | 53/64 | 3/4 - 14 | 5/8 | 15/16 | 4-7/8 | 59/64 | 2-3/64 | 2-7/8 |
| | 1-1/2 | 3.4 | | | | | | | | | | | |
| | 1-5/8 | 3.8 | | | | | | | | | | | |
| 210 | 1-11/16 | 5.4 | 1-3/4 | 4-5/8 | 15/16 | 7/8 | 1 - 11-1/2 | 13/16 | 1-1/8 | 5-9/16 | 7/8 | 2-7/16 | 3-1/4 |
| | 1-3/4 | 4.8 | | | | | | | | | | | |
| | 1-15/16 | 4.5 | | | | | | | | | | | |
| | 2 | 4.4 | | | | | | | | | | | |
| 212 | 2-3/16 | 5.0 | 1-63/64 | 5-1/2 | 1-5/32 | 1-5/32 | 1-1/4 - 11-1/2 | 1-1/8 | 1-7/16 | 6-3/4 | 31/32 | 2-31/32 | 4 |
| | 2-1/4 | 5.0 | | | | | | | | | | | |
| | 2-7/16 | 7.4 | | | | | | | | | | | |
| 216 | 2-15/16 | 14.0 | 2-11/64 | 7 | 1-23/64 | 1-13/32 | 1-1/2 - 11-1/2 | 1-1/4 | 1-11/16 | 8-3/8 | 1-11/64 | 3-53/64 | 4-7/8 |
| | 3 | 14.6 | | | | | | | | | | | |
| 218 | 3-7/16 | 21.2 | 2-31/64 | 8-5/16 | 1-3/4 | 1-3/4 | 2 - 11-1/2 | 1-3/4 | 2-3/16 | 10-5/32 | 1-23/64 | 4-23/64 | 6 |
| | 3-1/2 | 21.0 | | | | | | | | | | | |

Use straight thread for the pipe. Bearing to be secured with a heavy locknut
Pipe plug and lube fitting are factory installed and may be reversed from position shown

NOTE: Inserts use the ProGuard Plus (-FF) seals. 1, 1-3/16, 1-7/16, 1-11/16, 1-3/4, 2-3/16, 2-1/4
2-15/16, 3, 3-7/16 & 3-1/2 use SCM inserts with flingers.

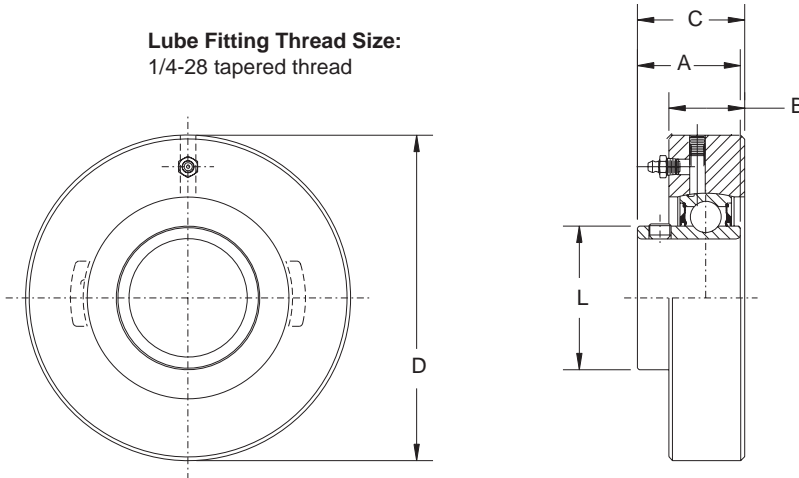
| | | | |
|--------------------------------|---------------------------|------------------------|---------------------------------|
| FEATURES/BENEFITS PAGE B3-2 | NOMENCLATURE PAGE B3-4 | SELECTION PAGE B3-5 | RELATED PRODUCTS PAGE B3-133 |
|--------------------------------|---------------------------|------------------------|---------------------------------|

SELECTION/DIMENSIONS



Setscrew Ball Bearings SC NORMAL DUTY CYLINDRICAL UNITS

Lube Fitting Thread Size:
1/4-28 tapered thread



| Series | Shaft Size | Part No. | Description |
|--------|------------|---------------|-------------|
| 205 | 7/8 | 124394 | CYL-SC-014 |
| | 15/16 | 124148 | CYL-SC-015 |
| | 1 | 124149 | CYL-SC-100 |
| 206 | 1-1/16 | 124427 | CYL-SC-101 |
| | 1-1/8 | 124428 | CYL-SC-102 |
| | 1-3/16 | 124250 | CYL-SC-103 |
| | 1-1/4 | 123177 | CYL-SC-104S |
| 207 | 1-1/4 | 124251 | CYL-SC-104 |
| | 1-5/16 | 124429 | CYL-SC-105 |
| | 1-3/8 | 124430 | CYL-SC-106 |
| | 1-7/16 | 124253 | CYL-SC-107 |

SELECTION/DIMENSIONS



Setscrew Ball Bearings SC NORMAL DUTY CYLINDRICAL UNITS

Bearing Quick Reference

E-Z KLEEN

GRIP TIGHT Adapter Ball Bearing

Set Screw Ball Bearing

Eccentric Collar Ball Bearing

| Series | Shaft Size | Weight lbs. | A | B | C | D# | L |
|--------|------------|-------------|---------|--------|---------|-------|---------|
| 205 | 7/8 | 1.4 | 1-3/16 | 27/32 | 1-11/64 | 3-1/8 | 1-21/64 |
| | 15/16 | 1.3 | | | | | |
| | 1 | 1.2 | | | | | |
| 206 | 1-1/16 | 2.2 | 1-25/64 | 15/16 | 1-11/32 | 3-1/2 | 1-37/64 |
| | 1-1/8 | 2.1 | | | | | |
| | 1-3/16 | 2.0 | | | | | |
| | 1-1/4 | 1.9 | | | | | |
| 207 | 1-1/4 | 2.8 | 1-17/32 | 1-1/16 | 1-17/32 | 3-7/8 | 1-27/32 |
| | 1-5/16 | 2.7 | | | | | |
| | 1-3/8 | 2.6 | | | | | |
| | 1-7/16 | 2.5 | | | | | |

+.000" -.002

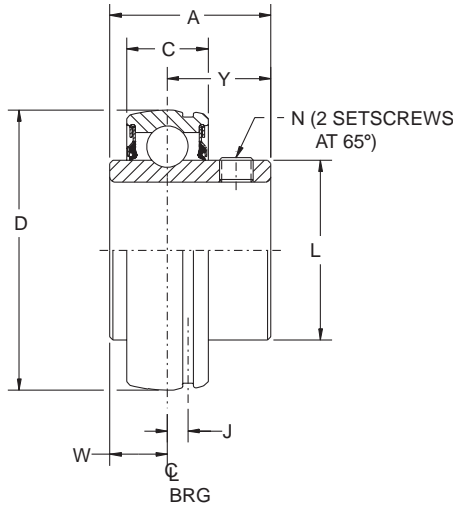
To prevent the housing from rotating in the machine frame, tap a hole on the joint between the housing O. D. and the machine frame bore and lock with a setscrew.

| | | | |
|--------------------------------|---------------------------|------------------------|---------------------------------|
| FEATURES/BENEFITS PAGE B3-2 | NOMENCLATURE PAGE B3-4 | SELECTION PAGE B3-5 | RELATED PRODUCTS PAGE B3-133 |
|--------------------------------|---------------------------|------------------------|---------------------------------|

SELECTION/DIMENSIONS



Setscrew Ball Bearings SC NORMAL DUTY BEARING INSERTS



| Series | Shaft Size | Standard Insert | | Insert With Flingers | | Corrosion Resistant Insert | | High Temp | |
|--------|------------|-----------------|-------------|----------------------|----------------|----------------------------|-----------------|---------------|----------------|
| | | Part No. | Description | Part No. | Description | Part No. | Description | Part No. | Description |
| 203 | 1/2 | 123328 | INS-SC-008 | 052159 | INS-SC-008-FF | 059759 | INS-SC-008-CR* | ----- | INS-SC-008-HT |
| | 5/8 | 123329 | INS-SC-010 | @ | INS-SC-010-FF | @ | INS-SC-010-CR* | ----- | INS-SC-010-HT |
| | 17mm | 125800 | INS-SC-17M | @ | INS-SC-17M-FF | @ | INS-SC-17M-CR* | ----- | INS-SC-17M-HT |
| 204 | 1/2 | 123330 | INS-SC-008L | @ | INS-SC-008L-FF | 052981 | INS-SC-008L-CR* | @ | INS-SC-008L-HT |
| | 5/8 | 123331 | INS-SC-010L | 124932 | INS-SC-010L-FF | 127073 | INS-SC-010L-CR* | @ | INS-SC-010L-HT |
| | 3/4 | 123332 | INS-SC-012 | 123070 | INS-SC-012-FF | 045600 | INS-SC-012-CR | 052032 | INS-SC-012-HT |
| | 13/16 | @ | INS-SC-013 | @ | INS-SC-013-FF | @ | INS-SC-013-CR* | @ | INS-SC-013-HT |
| | 20mm | 125802 | INS-SC-20M | 050524 | INS-SC-20M-FF | 125873 | INS-SC-20M-CR* | @ | INS-SC-20M-HT |
| 205 | 7/8 | 123333 | INS-SC-014 | 124931 | INS-SC-014-FF | 058665 | INS-SC-014-CR* | 068013 | INS-SC-014-HT |
| | 15/16 | 123334 | INS-SC-015 | 123069 | INS-SC-015-FF | @ | INS-SC-015-CR* | @ | INS-SC-015-HT |
| | 1 | 123335 | INS-SC-100 | 123071 | INS-SC-100-FF | 045601 | INS-SC-100-CR | 054949 | INS-SC-100-HT |
| | 25mm | 125804 | INS-SC-25M | 052620 | INS-SC-25M-FF | 050580 | INS-SC-25M-CR | @ | INS-SC-25M-HT |
| 206 | 1-1/16 | 123336 | INS-SC-101 | @ | INS-SC-101-FF | @ | INS-SC-101-CR* | @ | INS-SC-101-HT |
| | 1-1/8 | 123337 | INS-SC-102 | 123234 | INS-SC-102-FF | @ | INS-SC-102-CR* | @ | INS-SC-102-HT |
| | 1-3/16 | 123338 | INS-SC-103 | 123072 | INS-SC-103-FF | 045602 | INS-SC-103-CR | 067902 | INS-SC-103-HT |
| | 1-1/4 | 123469 | INS-SC-104S | 123073 | INS-SC-104S-FF | 045603 | INS-SC-104S-CR | @ | INS-SC-104S-HT |
| | 30mm | 125806 | INS-SC-30M | 052621 | INS-SC-30M-FF | 125874 | INS-SC-30M-CR | @ | INS-SC-30M-HT |
| 207 | 1-1/4 | 123339 | INS-SC-104 | 123074 | INS-SC-104-FF | 045412 | INS-SC-104-CR | 053776 | INS-SC-104-HT |
| | 1-5/16 | 123340 | INS-SC-105 | 057102 | INS-SC-105-FF | 058345 | INS-SC-105-CR* | 057201 | INS-SC-105-HT |
| | 1-3/8 | 123341 | INS-SC-106 | 123460 | INS-SC-106-FF | 058965 | INS-SC-106-CR* | 057354 | INS-SC-106-HT |
| | 1-7/16 | 123368 | INS-SC-107 | 123075 | INS-SC-107-FF | 045604 | INS-SC-107-CR | 052645 | INS-SC-107-HT |
| | 35mm | 125808 | INS-SC-35M | 052622 | INS-SC-35M-FF | 050653 | INS-SC-35M-CR | @ | INS-SC-35M-HT |

@ Assembled to order

* 20 piece minimum

| | | | |
|--------------------------------|---------------------------|------------------------|---------------------------------|
| FEATURES/BENEFITS PAGE B3-2 | NOMENCLATURE PAGE B3-4 | SELECTION PAGE B3-5 | RELATED PRODUCTS PAGE B3-133 |
|--------------------------------|---------------------------|------------------------|---------------------------------|

SELECTION/DIMENSIONS



Setscrew Ball Bearings SC NORMAL DUTY BEARING INSERTS

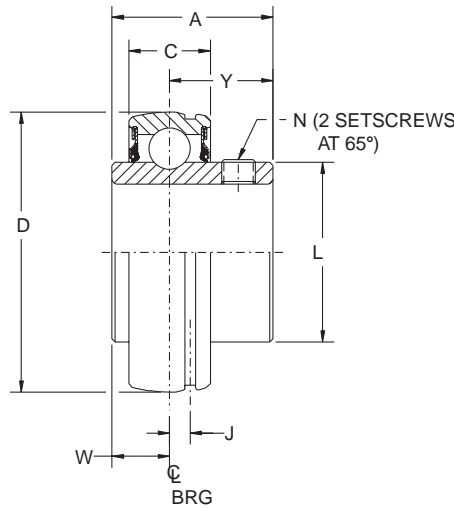
| Series | Shaft Size | Weight lbs. kgs, | A | C | D | J | L | N | W | Y |
|--------|------------|---------------------|---------|-------|--------|-------|---------|---------|-------|--------|
| 203 | 1/2 | .25 | 1 | .511 | 1.5748 | 0.150 | 31/32 | 10-32 | 23/64 | 41/64 |
| | 5/8 | .23 | | | | | | | | |
| | 17mm | .10 | 25.4 | 13.0 | 40.0 | 3.0 | 24.6 | M5x.8 | 9.1 | 16.3 |
| 204 | 1/2 | .38 | 1-5/32 | .5906 | 1.8504 | 0.152 | 1-1/8 | 10-32 | 27/64 | 47/64 |
| | 5/8 | .35 | | | | | | 10-32 | | |
| | 3/4 | .32 | | | | | | 1/4-28 | | |
| | 13/16 | .29 | | | | | | 1/4-28 | | |
| | 20mm | .16 | 29.4 | 15.0 | 47.0 | 3.9 | 28.6 | M6x1 | 10.7 | 18.7 |
| 205 | 7/8 | .43 | 1-3/16 | .5906 | 2.0472 | .152 | 1-21/64 | 1/4-28 | 27/64 | 49/64 |
| | 15/16 | .40 | | | | | | | | |
| | 1 | .37 | | | | | | | | |
| | 25mm | .18 | 30.2 | 15.0 | 52.0 | 3.9 | 33.7 | M6x1 | 10.7 | 19.4 |
| 206 | 1-1/16 | .67 | 1-25/64 | .7067 | 2.4409 | .190 | 1-37/64 | 5/16-24 | 31/64 | 29/32 |
| | 1-1/8 | .63 | | | | | | 5/16-24 | | |
| | 1-3/16 | .60 | | | | | | 5/16-24 | | |
| | 1-1/4 | .58 | | | | | | 1/4-28 | | |
| | 30mm | .27 | 35.3 | 18.0 | 62.0 | 4.8 | 40.1 | M8x1.25 | 12.3 | 23.0 |
| 207 | 1-1/4 | 1.02 | 1-17/32 | .7480 | 2.8346 | .202 | 1-27/32 | 5/16-24 | 1/2 | 1-1/32 |
| | 1-5/16 | .97 | | | | | | | | |
| | 1-3/8 | .92 | | | | | | | | |
| | 1-7/16 | .86 | | | | | | | | |
| | 35mm | .44 | 38.9 | 19.0 | 72.0 | 5.1 | 46.8 | M8x1.25 | 12.7 | 26.2 |

| | | | |
|--------------------------------|---------------------------|------------------------|---------------------------------|
| FEATURES/BENEFITS PAGE B3-2 | NOMENCLATURE PAGE B3-4 | SELECTION PAGE B3-5 | RELATED PRODUCTS PAGE B3-133 |
|--------------------------------|---------------------------|------------------------|---------------------------------|

SELECTION/DIMENSIONS



Setscrew Ball Bearings SC NORMAL DUTY BEARING INSERTS



| Series | Shaft Size | Standard Insert | | Insert With Flingers | | Corrosion Resistant Insert | | High Temp | |
|--------|-----------------|--------------------------------|--------------------------|----------------------|--------------------------------|----------------------------|----------------------------------|---------------|--------------------------------|
| | | Part No. | Description | Part No. | Description | Part No. | Description | Part No. | Description |
| 208 | 1-1/2 | 123342 | INS-SC-108 | 123075 | INS-SC-108-FF | 045605 | INS-SC-108-CR | 064149 | INS-SC-108-HT |
| | 1-5/8 | 123343 | INS-SC-110 | 123409 | INS-SC-110-FF | @ | INS-SC-110-CR* | @ | INS-SC-110-HT |
| | 40mm | 125810 | INS-SC-40M | 052623 | INS-SC-40M-FF | 050654 | INS-SC-40M-CR | 064865 | INS-SC-40M-HT |
| 209 | 1-5/8 | 045874 | INS-SC-110L | @ | INS-SC-110L-FF | @ | INS-SC-110L-CR* | @ | INS-SC-110L-HT |
| | 1-11/16 | 123344 | INS-SC-111 | @ | INS-SC-111-FF | 125004 | INS-SC-111-CR | 053565 | INS-SC-111-HT |
| | 1-3/4 | 123345 | INS-SC-112 | 045677 | INS-SC-112-FF | 054145 | INS-SC-112-CR* | @ | INS-SC-112-HT |
| | 1-13/16 45mm | 054225 125812 | INS-SC-113 INS-SC-45M | @ 064877 | INS-SC-113-FF INS-SC-45M-FF | @ 125005 | INS-SC-113-CR* INS-SC-45M-CR* | @ @ | INS-SC-113-HT INS-SC-45M-HT |
| 210 | 1-15/16 | 123346 | INS-SC-115 | 123077 | INS-SC-115-FF | 045606 | INS-SC-115-CR | 054019 | INS-SC-115-HT |
| | 2 | 123347 | INS-SC-200 | 123413 | INS-SC-200-FF | 045338 | INS-SC-200-CR | 054431 | INS-SC-200-HT |
| | 50mm | 125814 | INS-SC-50M | @ | INS-SC-50M-FF | 050656 | INS-SC-50M-CR | @ | INS-SC-50M-HT |
| 211 | 2 | 123358 | INS-SCM-200 | 068604 | INS-SCM-200-FF | 125175 | INS-SCM-200-CR* | 058157 | INS-SCM-200-HT |
| | 2-3/16 | 123348 | INS-SC-203 | 058230 | INS-SC-203-FF | 058178 | INS-SC-203-CR* | @ | INS-SC-203-HT |
| | 2-1/4 | 123349 | INS-SC-204 | 058220 | INS-SC-204-FF | 053825 | INS-SC-204-CR* | @ | INS-SC-204-HT |
| | 55mm | 125816 | INS-SC-55M | @ | INS-SC-55M-FF | @ | INS-SC-55M-CR* | @ | INS-SC-55M-HT |
| 212 | 2-1/4 | 123360 | INS-SCM-204 | 064636 | INS-SCM-204-FF | 053900 | INS-SCM-204-CR* | @ | INS-SCM-204-HT |
| | 2-7/16 | 123350 | INS-SC-207 | 123416 | INS-SC-207-FF | 057681 | INS-SC-207-CR* | 054196 | INS-SC-207-HT |
| | 60mm | 125818 | INS-SC-60M | @ | INS-SC-60M-FF | @ | INS-SC-60M-CR* | 057802 | INS-SC-60M-HT |
| 214 | 2-1/2 | 123362 | INS-SCM-208 | @ | INS-SCM-208-FF | 053831 | INS-SCM-208-CR* | @ | INS-SCM-208-HT |
| | 2-11/16 | 123326 | INS-SC-211 | @ | INS-SC-211-FF | @ | INS-SC-211-CR* | @ | INS-SC-211-HT |
| | 70mm | 125820 | INS-SC-70M | @ | INS-SC-70M-FF | @ | INS-SC-70M-CR* | @ | INS-SC-70M-HT |
| 215 | 2-15/16 | 123352 | INS-SC-215 | 050365 | INS-SC-215-FF | @ | INS-SC-215-CR* | @ | INS-SC-215-HT |
| | 75mm | 125822 | INS-SC-75M | @ | INS-SC-75M-FF | @ | INS-SC-75M-CR* | @ | INS-SC-75M-HT |
| 218 | 90mm | @ | INS-SC-90M | @ | INS-SC-90M-FF | @ | INS-SC-90M-CR* | @ | INS-SC-90M-HT |

@ Assembled to order.

* 20 piece minimum

| | | | |
|--------------------------------|---------------------------|------------------------|---------------------------------|
| FEATURES/BENEFITS PAGE B3-2 | NOMENCLATURE PAGE B3-4 | SELECTION PAGE B3-5 | RELATED PRODUCTS PAGE B3-133 |
|--------------------------------|---------------------------|------------------------|---------------------------------|

SELECTION/DIMENSIONS



Setscrew Ball Bearings SC NORMAL DUTY BEARING INSERTS

Bearing Quick Reference

E-Z KLEEN

GRIP TIGHT Adapter Ball Bearing

Set Screw Ball Bearing

Eccentric Collar Ball Bearing

| Series | Shaft Size | Weight lbs. kgs, | A | C | D | J | L | N | W | Y |
|--------|------------|------------------|---------|--------|--------|------|---------|---------|-------|---------|
| 208 | 1-1/2 | 1.27 | 1-11/16 | .8661 | 3.149 | .224 | 2-3/64 | 5/16-24 | 19/32 | 1-3/32 |
| | 1-5/8 | 1.13 | | | | | | | | |
| | 40mm | 0.51 | 42.9 | 22.0 | 80.0 | 5.7 | 52.0 | M8x1.25 | 15.1 | 27.8 |
| 209 | 1-5/8 | 1.49 | 1-23/32 | .8661 | 3.3465 | .248 | 2-7/32 | 5/16-24 | 19/32 | 1-1/8 |
| | 1-11/16 | 1.43 | | | | | | | | |
| | 1-3/4 | 1.36 | | | | | | | | |
| | 1-13/16 | 1.30 | | | | | | | | |
| | 45mm | 0.62 | 43.7 | 22.0 | 85.0 | 6.3 | 56.4 | M8x1.25 | 15.1 | 28.6 |
| 210 | 1-15/16 | 1.48 | 1-3/4 | .8661 | 3.5433 | .248 | 2-7/16 | 3/8-24 | 19/32 | 1-5/32 |
| | 2 | 1.39 | | | | | | | | |
| | 50mm | 0.67 | 44.5 | 22.0 | 90.0 | 6.3 | 61.9 | M10x1.5 | 15.1 | 29.4 |
| 211 | 2 | 2.26 | 1-27/32 | .9449 | 3.9370 | .267 | 2-23/32 | 3/8-24 | 5/8 | 1-7/32 |
| | 2-3/16 | 1.97 | | | | | | | | |
| | 2-1/4 | 1.87 | | | | | | | | |
| | 55mm | 0.89 | 46.8 | 24.0 | 100.0 | 6.8 | 69.1 | M10x1.5 | 15.9 | 31.0 |
| 212 | 2-1/4 | 2.85 | 1-63/64 | 1.0240 | 4.3307 | .250 | 2-31/32 | 3/8-24 | 43/64 | 1-5/16 |
| | 2-7/16 | 2.49 | | | | | | | | |
| | 60mm | 1.13 | 50.4 | 26.0 | 110.0 | 6.4 | 75.4 | M10x1.5 | 17.1 | 33.3 |
| 214 | 2-1/2 | 4.25 | 2-15/64 | 1.1020 | 4.9213 | .264 | 3-5/16 | 3/8-24 | 51/64 | 1-7/16 |
| | 2-11/16 | 3.60 | | | | | | | | |
| | 70mm | 1.63 | 56.8 | 28.0 | 125.0 | 6.7 | 84.1 | M10x1.5 | 20.2 | 36.5 |
| 215 | 2-15/16 | 3.86 | 2-9/32 | 1.1420 | 5.1181 | .265 | 3-5/8 | 3/8-24 | 13/16 | 1-15/32 |
| | 75mm | 1.75 | 57.9 | 29.0 | 130.0 | 6.7 | 92.1 | M10x1.5 | 20.6 | 37.3 |
| 218 | 90mm | 3.30 | 63.1 | 34.0 | 160.0 | 7.6 | 110.7 | M10x1.5 | 23.4 | 39.7 |

| | | | |
|--------------------------------|---------------------------|------------------------|---------------------------------|
| FEATURES/BENEFITS PAGE B3-2 | NOMENCLATURE PAGE B3-4 | SELECTION PAGE B3-5 | RELATED PRODUCTS PAGE B3-133 |
|--------------------------------|---------------------------|------------------------|---------------------------------|

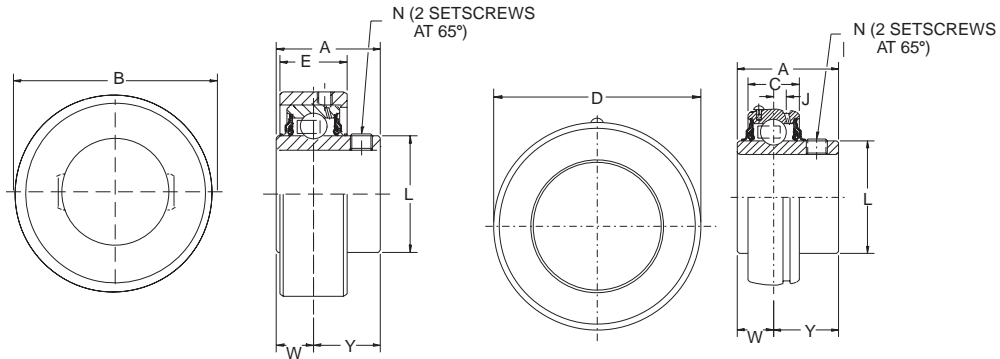
SELECTION/DIMENSIONS

DODGE®



Setscrew Ball Bearings

SCH-E EXPANSION AND SCH NON-EXPANSION NORMAL DUTY BEARING INSERTS



| Series | Shaft Size | Expansion | | Non-Expansion | |
|--------|------------|---------------|----------------------|---------------|--------------------|
| | | Part No. | Description | Part No. | Description |
| 206 | 1 | @ | INS-SCMH-100-E | @ | INS-SCMH-100 |
| | 1-1/16 | @ | INS-SCH-101-E | @ | INS-SCH-101M |
| | 1-1/8 | @ | INS-SCH-102-E | @ | INS-SCH-102 |
| | 1-3/16 | 126495 | INS-SCH-103-E | 126490 | INS-SCH-103 |
| | 1-1/4 | @ | INS-SCH-104S-E | @ | INS-SCH-104S |
| | 30mm | 049925 | <i>INS-SCH-30M-E</i> | @ | <i>INS-SCH-30M</i> |
| 207 | 1-1/4 | @ | INS-SCH-104-E | @ | INS-SCH-104 |
| | 1-5/16 | @ | INS-SCH-105-E | @ | INS-SCH-105 |
| | 1-3/8 | @ | INS-SCH-106-E | @ | INS-SCH-106 |
| | 1-7/16 | 126496 | INS-SCH-107-E | 126491 | INS-SCH-107 |
| | 35mm | @ | <i>INS-SCH-35M-E</i> | @ | <i>INS-SCH-35M</i> |
| 209 | 1-1/2 | @ | INS-SCMH-108-E | @ | INS-SCMH-108 |
| | 1-5/8 | @ | INS-SCH-110-E | @ | INS-SCH-110 |
| | 1-11/16 | 068478 | INS-SCH-111-E | @ | INS-SCH-111 |
| | 1-3/4 | @ | INS-SCH-112-E | @ | INS-SCH-112 |
| | 45mm | @ | <i>INS-SCH-45M-E</i> | @ | <i>INS-SCH-45M</i> |
| 210 | 1-11/16 | @ | INS-SCMH-111-E | @ | INS-SCMH-111 |
| | 1-3/4 | @ | INS-SCMH-112-E | @ | INS-SCMH-112 |
| | 1-15/16 | 126497 | INS-SCH-115-E | 126492 | INS-SCH-115 |
| | 2 | @ | INS-SCH-200-E | @ | INS-SCH-200 |
| 211 | 50mm | @ | <i>INS-SCH-50M-E</i> | @ | <i>INS-SCH-50M</i> |
| | 1-15/16 | @ | INS-SCMH-115-E | @ | INS-SCMH-115 |
| | 2 | @ | INS-SCMH-200-E | @ | INS-SCMH-200 |
| | 2-3/16 | 126498 | INS-SCH-203-E | 126493 | INS-SCH-203 |
| | 2-1/4 | @ | INS-SCH-204-E | @ | INS-SCH-204 |
| | 55mm | @ | <i>INS-SCH-55M-E</i> | @ | <i>INS-SCH-55M</i> |
| 212 | 2-3/16 | @ | INS-SCMH-203-E | @ | INS-SCMH-203 |
| | 2-1/4 | @ | INS-SCMH-204-E | @ | INS-SCMH-204 |
| | 2-7/16 | 126499 | INS-SCH-207-E | 126494 | INS-SCH-207 |
| | 60mm | @ | <i>INS-SCH-60M-E</i> | @ | <i>INS-SCH-60M</i> |

@Assembled to order

| | | | |
|--------------------------------|---------------------------|------------------------|---------------------------------|
| FEATURES/BENEFITS PAGE B3-2 | NOMENCLATURE PAGE B3-4 | SELECTION PAGE B3-5 | RELATED PRODUCTS PAGE B3-133 |
|--------------------------------|---------------------------|------------------------|---------------------------------|

SELECTION/DIMENSIONS



Setscrew Ball Bearings

SCH-E EXPANSION AND SCH NON-EXPANSION NORMAL DUTY BEARING INSERTS

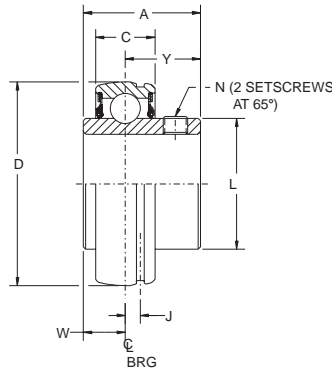
| Series | Shaft Size | Weight - Expansion lbs kgs | Weight - Non-Expansion lbs kgs | A | B | C | D | E | J | L | N | W | Y |
|--------|------------|-------------------------------|-----------------------------------|---------|-------|---------|--------|---------|-------|---------|---------|-------|--------|
| 206 | 1 | 1.29 | 0.69 | 1-25/64 | 2.875 | 15/16 | 2.4409 | 15/16 | 0.190 | 1-37/64 | 5/16-24 | 31/64 | 29/32 |
| | 1-1/16 | 1.26 | 0.66 | | | | | | | | | | |
| | 1-1/8 | 1.23 | 0.63 | | | | | | | | | | |
| | 1-3/16 | 1.20 | 0.60 | | | | | | | | | | |
| | 1-1/4 | 1.18 | 0.58 | | | | | | | | | | |
| | 30mm | 0.54 | 0.26 | 35.3 | 73.0 | 23.8 | 62.0 | 23.8 | 4.8 | 40.1 | M8x1.25 | 12.3 | 23.0 |
| 207 | 1-1/4 | 1.50 | 1.02 | 1-17/32 | 3.272 | 1 | 2.8346 | 1 | 0.190 | 1-27/32 | 5/16-24 | 1/2 | 1-1/32 |
| | 1-5/16 | 1.49 | 0.97 | | | | | | | | | | |
| | 1-3/8 | 1.48 | 0.92 | | | | | | | | | | |
| | 1-7/16 | 1.47 | 0.86 | | | | | | | | | | |
| | 35mm | 0.67 | 0.44 | 38.9 | 83.1 | 25.4 | 72.0 | 25.4 | 5.1 | 46.8 | M8x1.25 | 12.7 | 26.2 |
| 209 | 1-1/2 | 2.51 | 1.62 | 1-23/32 | 3.813 | 1-1/4 | 3.3465 | 1-1/4 | 0.248 | 2-7/32 | 5/16-24 | 19/32 | 1-1/8 |
| | 1-5/8 | 2.48 | 1.49 | | | | | | | | | | |
| | 1-11/16 | 2.45 | 1.43 | | | | | | | | | | |
| | 1-3/4 | 2.43 | 1.36 | | | | | | | | | | |
| | 45mm | 1.10 | 1.30 | 43.7 | 96.8 | 31.8 | 85.0 | 31.8 | 6.3 | 56.4 | M8x1.25 | 15.1 | 28.6 |
| 210 | 1-11/16 | 2.56 | 1.82 | 1-3/4 | 4.000 | 1-13/32 | 3.5433 | 1-13/32 | 0.248 | 2-7/16 | 3/8-24 | 19/32 | 1-5/32 |
| | 1-3/4 | 2.53 | 1.74 | | | | | | | | | | |
| | 1-15/16 | 2.50 | 1.48 | | | | | | | | | | |
| | 2 | 2.48 | 1.39 | | | | | | | | | | |
| | 50mm | 1.13 | 0.67 | 44.5 | 101.6 | 35.7 | 90.0 | 35.7 | 6.3 | 61.9 | M10x1.5 | 15.1 | 29.4 |
| 211 | 1-15/16 | 3.46 | 2.36 | 1-27/32 | 4.475 | 1-7/16 | 3.9370 | 1-7/16 | 0.267 | 2-23/32 | 3/8-24 | 5/8 | 1-7/32 |
| | 2 | 3.43 | 2.26 | | | | | | | | | | |
| | 2-3/16 | 3.40 | 1.97 | | | | | | | | | | |
| | 2-1/4 | 3.38 | 1.87 | | | | | | | | | | |
| | 55mm | 1.53 | 0.89 | 46.8 | 113.7 | 36.5 | 100.0 | 36.5 | 6.3 | 69.1 | M10x1.5 | 15.9 | 31.0 |
| 212 | 2-3/16 | 4.56 | 2.97 | 1-63/64 | 5.035 | 1-5/8 | 4.3307 | 1-5/8 | 0.250 | 2-31/32 | 3/8-24 | 43/64 | 1-5/16 |
| | 2-1/4 | 4.53 | 2.85 | | | | | | | | | | |
| | 2-7/16 | 4.50 | 2.49 | | | | | | | | | | |
| | 60mm | 2.04 | 1.13 | 50.4 | 127.9 | 41.3 | 110.0 | 41.3 | 6.4 | 75.4 | M10x1.5 | 17.1 | 33.3 |

| | | | |
|--------------------------------|---------------------------|------------------------|---------------------------------|
| FEATURES/BENEFITS PAGE B3-2 | NOMENCLATURE PAGE B3-4 | SELECTION PAGE B3-5 | RELATED PRODUCTS PAGE B3-133 |
|--------------------------------|---------------------------|------------------------|---------------------------------|

SELECTION/DIMENSIONS



Setscrew Ball Bearings SCM MEDIUM DUTY BEARING INSERTS



| Series | Shaft Size | Standard Insert | | Insert With Flingers | | Corrosion Resistant Insert | | High Temp | |
|--------|--------------------------|-----------------|-------------|----------------------|----------------|----------------------------|-----------------|---------------|----------------|
| | | Part No. | Description | Part No. | Description | Part No. | Description | Part No. | Description |
| 206 | 1 25mm | 123419 | INS-SCM-100 | @ | INS-SCM-100-FF | @ | INS-SCM-100-CR* | @ | INS-SCM-100-HT |
| | | 125825 | INS-SCM-25M | 064878 | INS-SCM-25M-FF | @ | INS-SCM-25M-CR* | @ | INS-SCM-25M-HT |
| 207 | 1-3/16 1-1/4 30mm | 123420 | INS-SCM-103 | 052841 | INS-SCM-103-FF | @ | INS-SCM-103-CR* | @ | INS-SCM-103-HT |
| | | 123339 | INS-SC-104 | 123074 | INS-SC-104-FF | 045412 | INS-SC-104-CR | 053776 | INS-SC-104-HT |
| 208 | 1-7/16 1-1/2# 35mm | 123353 | INS-SCM-107 | 123445 | INS-SCM-107-FF | @ | INS-SCM-107-CR* | 049945 | INS-SCM-107-HT |
| | | 123342 | INS-SC-108 | 123076 | INS-SC-108-FF | 045605 | INS-SC-108-CR | 064149 | INS-SC-108-HT |
| 209 | 1-1/2 1-5/8 40mm | 123354 | INS-SCM-108 | 068477 | INS-SCM-108-FF | @ | INS-SCM-108-CR* | 068889 | INS-SCM-108-HT |
| | | 045874 | INS-SC-110L | @ | INS-SC-110L-FF | @ | INS-SC-110L-CR* | @ | INS-SC-110L-HT |
| 210 | 1-11/16 1-3/4 45mm | 123355 | INS-SCM-111 | 051787 | INS-SCM-111-FF | @ | INS-SCM-111-CR* | @ | INS-SCM-111-HT |
| | | 123356 | INS-SCM-112 | @ | INS-SCM-112-FF | @ | INS-SCM-112-CR* | @ | INS-SCM-112-HT |
| 211 | 1-15/16 2 50mm | 125832 | INS-SCM-45M | @ | INS-SCM-45M-FF | @ | INS-SCM-45M-CR* | @ | INS-SCM-45M-HT |
| | | 123357 | INS-SCM-115 | 050493 | INS-SCM-115-FF | 058397 | INS-SCM-115-CR* | @ | INS-SCM-115-HT |
| 212 | 2-3/16 2-1/4 55mm | 123358 | INS-SCM-200 | 068604 | INS-SCM-200-FF | 125175 | INS-SCM-200-CR* | 058157 | INS-SCM-200-HT |
| | | 125834 | INS-SCM-50M | @ | INS-SCM-50M-FF | @ | INS-SCM-50M-CR* | @ | INS-SCM-50M-HT |
| 214 | 2-7/16 2-1/2 60mm | 123359 | INS-SCM-203 | 050186 | INS-SCM-203-FF | @ | INS-SCM-203-CR* | @ | INS-SCM-203-HT |
| | | 123360 | INS-SCM-204 | 064636 | INS-SCM-204-FF | 053900 | INS-SCM-204-CR* | @ | INS-SCM-204-HT |
| 215 | 2-11/16 70mm | 125836 | INS-SCM-55M | @ | INS-SCM-55M-FF | @ | INS-SCM-55M-CR* | @ | INS-SCM-55M-HT |
| | | 123361 | INS-SCM-207 | 123424 | INS-SCM-207-FF | @ | INS-SCM-207-CR* | 056912 | INS-SCM-207-HT |
| 216 | 2-15/16 3 75mm | 123362 | INS-SCM-208 | @ | INS-SCM-208-FF | 053831 | INS-SCM-208-CR* | @ | INS-SCM-208-HT |
| | | 125838 | INS-SCM-65M | @ | INS-SCM-65M-FF | @ | INS-SCM-65M-CR* | @ | INS-SCM-65M-HT |
| 218 | 3-7/16 3-1/2 85mm | 123363 | INS-SCM-211 | @ | INS-SCM-211-FF | @ | INS-SCM-211-CR* | @ | INS-SCM-211-HT |
| | | 125840 | INS-SCM-70M | @ | INS-SCM-70M-FF | @ | INS-SCM-70M-CR* | @ | INS-SCM-70M-HT |
| 216 | 2-15/16 3 75mm | 123364 | INS-SCM-215 | 123456 | INS-SCM-215-FF | 045764 | INS-SCM-215-CR* | 049918 | INS-SCM-215-HT |
| | | 123365 | INS-SCM-300 | 123457 | INS-SCM-300-FF | @ | INS-SCM-300-CR* | @ | INS-SCM-300-HT |
| 218 | 3-7/16 3-1/2 85mm | 125842 | INS-SCM-75M | @ | INS-SCM-75M-FF | @ | INS-SCM-75M-CR* | @ | INS-SCM-75M-HT |
| | | 123366 | INS-SCM-307 | 123423 | INS-SCM-307-FF | 045765 | INS-SCM-307-CR* | @ | INS-SCM-307-HT |
| | | 123367 | INS-SCM-308 | @ | INS-SCM-308-FF | @ | INS-SCM-308-CR* | @ | INS-SCM-308-HT |
| | | 125844 | INS-SCM-85M | @ | INS-SCM-85M-FF | @ | INS-SCM-85M-CR* | 062570 | INS-SCM-85M-HT |

@ Assembled to order

SCM Piloted Flange Only

| | | | |
|--------------------------------|---------------------------|------------------------|---------------------------------|
| FEATURES/BENEFITS PAGE B3-2 | NOMENCLATURE PAGE B3-4 | SELECTION PAGE B3-5 | RELATED PRODUCTS PAGE B3-133 |
|--------------------------------|---------------------------|------------------------|---------------------------------|

SELECTION/DIMENSIONS



Setscrew Ball Bearings SCM MEDIUM DUTY BEARING INSERTS

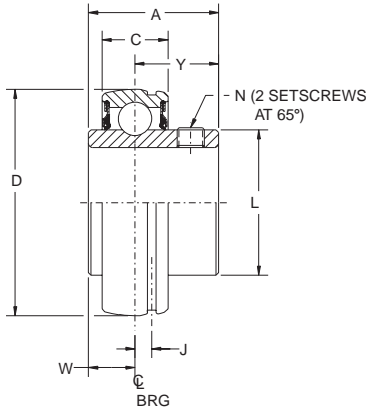
| Series | Shaft Size | Weight lbs. | A | C | D | J | L | N | W | Y |
|--------|------------|-------------|---------|--------|--------|------|---------|---------|-------|---------|
| 206 | 1 | 0.71 | 1-25/64 | .7067 | 2.4409 | .190 | 1-37/64 | 5/16-24 | 31/64 | 29/32 |
| | 25mm | 0.32 | 35.3 | 18.0 | 62.0 | 4.8 | 40.1 | M8x1.25 | 23.0 | 23.0 |
| 207 | 1-3/16 | 1.07 | 1-17/32 | .7480 | 2.8346 | .202 | 1-27/32 | 5/16-24 | 1/2 | 1-1/32 |
| | 1-1/4 | 1.02 | | | | | | | | |
| | 30mm | 0.53 | 38.9 | 19.0 | 72.0 | 5.1 | 46.8 | M8x1.25 | 12.7 | 26.2 |
| 208 | 1-7/16 | 1.32 | 1-11/16 | .8661 | 3.1496 | .224 | 2-3/64 | 5/16-24 | 19/32 | 1-3/32 |
| | 1-1/2 | 1.27 | | | | | | | | |
| | 35mm | 0.60 | 42.9 | 22.0 | 80.0 | 5.7 | 52.0 | M8x1.25 | 15.1 | 27.8 |
| 209 | 1-1/2 | 1.62 | 1-23/32 | .8661 | 3.3465 | .248 | 2-7/32 | 5/16-24 | 19/32 | 1-1/8 |
| | 1-5/8 | 1.49 | | | | | | | | |
| | 40mm | 0.71 | 43.7 | 22.0 | 85.0 | 6.3 | 56.4 | M8x1.25 | 15.1 | 28.6 |
| 210 | 1-11/16 | 1.82 | 1-3/4 | .8661 | 3.5433 | .248 | 2-7/16 | 3/8-24 | 19/32 | 1-5/32 |
| | 1-3/4 | 1.74 | | | | | | | | |
| | 45mm | 0.76 | 44.5 | 22.0 | 90.0 | 6.3 | 61.9 | M10x1.5 | 15.1 | 29.4 |
| 211 | 1-15/16 | 2.36 | 1-27/32 | .9449 | 3.9370 | .267 | 2-23/32 | 3/8-24 | 5/8 | 1-7/32 |
| | 2 | 2.26 | | | | | | | | |
| | 50mm | 1.03 | 46.8 | 24.0 | 100.0 | 6.8 | 69.1 | M10x1.5 | 15.9 | 31 |
| 212 | 2-3/16 | 2.97 | 1-63/64 | 1.0240 | 4.3307 | .250 | 2-31/32 | 3/8-24 | 43/64 | 1-5/16 |
| | 2-1/4 | 2.85 | | | | | | | | |
| | 55mm | 1.27 | 50.4 | 26.0 | 110.0 | 6.4 | 75.4 | M10x1.5 | 17.1 | 33.3 |
| 214 | 2-7/16 | 4.39 | 2-15/64 | 1.1020 | 4.9213 | .265 | 3-5/16 | 3/8-245 | 51/64 | 1-7/16 |
| | 2-1/2 | 4.25 | | | | | | | | |
| | 60mm | 1.86 | 56.8 | 28.0 | 110.0 | 6.7 | 84.1 | M10x1. | 20.2 | 36.5 |
| 215 | 2-11/16 | 4.49 | 2-9/32 | 1.1420 | 5.1181 | .265 | 3-5/8 | 3/8-24 | 13/16 | 1-15/32 |
| | 70mm | 1.98 | 57.9 | 29.0 | 130.0 | 6.7 | 92.1 | M10x1.5 | 20.6 | 37.3 |
| | | | | | | | | | | |
| 216 | 2-15/16 | 5.54 | 2-11/32 | 1.1810 | 5.5118 | .285 | 3-53/64 | 3/8-24 | 43/64 | 1-1/2 |
| | 3 | 5.52 | | | | | | | | |
| | 75mm | 2.51 | 59.5 | 30.0 | 140.0 | 7.2 | 97.2 | M10x.15 | 17.1 | 38.1 |
| 218 | 3-7/16 | 7.35 | 2-31/64 | 1.3400 | 6.2992 | .300 | 4-23/64 | 3/8-24 | 59/64 | 1-9/16 |
| | 3-1/2 | 7.33 | | | | | | | | |
| | 85mm | 3.33 | 63.1 | 34.0 | 160.0 | 7.6 | 110.7 | M10x1.5 | 23.4 | 39.7 |

| | | | |
|--------------------------------|---------------------------|------------------------|---------------------------------|
| FEATURES/BENEFITS PAGE B3-2 | NOMENCLATURE PAGE B3-4 | SELECTION PAGE B3-5 | RELATED PRODUCTS PAGE B3-133 |
|--------------------------------|---------------------------|------------------------|---------------------------------|

SELECTION/DIMENSIONS



Setscrew Ball Bearings VSC INTERMEDIATE DUTY BEARING INSERTS



| Series | Shaft Size | Part No. | Description |
|--------|------------|---------------|--------------|
| 203 | 1/2 | 389923 | INS-VSC-008 |
| | 5/8 | 389924 | INS-VSC-010 |
| | 17mm | 125636 | INS-VSC-17M |
| 204 | 3/4 | 389925 | INS-VSC-012 |
| | 20mm | 125637 | INS-VSC-20M |
| 205 | 7/8 | 389936 | INS-VSC-014 |
| | 15/16 | 389937 | INS-VSC-015 |
| | 1 | 389926 | INS-VSC-100 |
| | 25mm | 125638 | INS-VSC-25M |
| 206 | 1-1/8 | 389938 | INS-VSC-102 |
| | 1-3/16 | 389927 | INS-VSC-103 |
| | 1-1/4 | 389934 | INS-VSC-104S |
| | 30mm | 123235 | INS-VSC-30M |
| 207 | 1-1/4 | 389928 | INS-VSC-104 |
| | 1-3/8 | 389939 | INS-VSC-106 |
| | 1-7/16 | 389929 | INS-VSC-107 |
| | 35mm | 125639 | INS-VSC-35M |
| 208 | 1-1/2 | 389930 | INS-VSC-108 |
| | 40mm | 125640 | INS-VSC-40M |
| 209 | 1-11/16 | 389940 | INS-VSC-111 |
| | 1-3/4 | 389941 | INS-VSC-112 |
| | 45mm | 125641 | INS-VSC-45M |
| 210 | 1-15/16 | 389931 | INS-VSC-115 |
| | 2 | 389932 | INS-VSC-200 |
| | 50mm | 125642 | INS-VSC-50M |
| 211 | 2 | 389935 | INS-VSC-200L |
| | 2-3/16 | 389933 | INS-VSC-203 |
| | 55mm | 125643 | INS-VSC-55M |

| | | | |
|--------------------------------|---------------------------|------------------------|---------------------------------|
| FEATURES/BENEFITS PAGE B3-2 | NOMENCLATURE PAGE B3-4 | SELECTION PAGE B3-5 | RELATED PRODUCTS PAGE B3-133 |
|--------------------------------|---------------------------|------------------------|---------------------------------|

SELECTION/DIMENSIONS



Setscrew Ball Bearings VSC INTERMEDIATE DUTY BEARING INSERTS

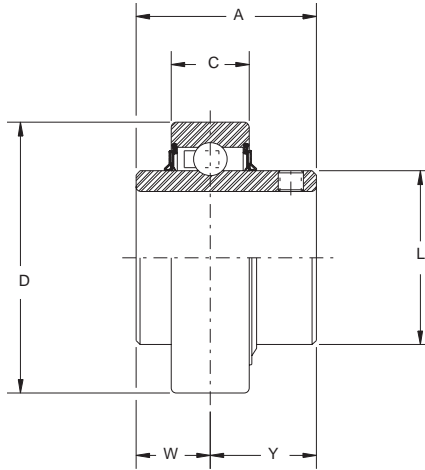
| Series | Shaft Size | Weight lbs. kg. | A | C | D | J | L | N | W | Y |
|--------|------------|-----------------|---------|--------|--------|-------|---------|-----------|-------|--------|
| 203 | 1/2 | 0.23 | 15/16 | 0.5110 | 1.5748 | 0.150 | 31/32 | 10-32 | 19/64 | 41/64 |
| | 5/8 | 0.21 | | | | | | | | |
| | 17mm | 0.10 | 23.8 | 13.0 | 40.0 | 3.8 | 24.6 | M5 x 8 | 7.5 | 16.3 |
| 204 | 3/4 | 0.25 | 1-1/16 | 0.5906 | 1.8504 | 0.152 | 1-21/64 | 1/4-28 | 21/64 | 49/64 |
| | 20mm | 0.11 | 27.0 | 15.0 | 47.0 | 3.9 | 28.6 | M6 x 1 | 8.3 | 18.7 |
| | | | | | | | | | | |
| 205 | 7/8 | 0.41 | 1-3/32 | 0.5906 | 2.0472 | 0.152 | 1-37/64 | 5/16-24 | 25/64 | 29/32 |
| | 15/16 | 0.38 | | | | | | | | |
| | 1 25mm | 0.25 0.17 | 27.8 | 15.0 | 52.0 | 3.9 | 33.7 | M6 x 1 | 8.3 | 19.4 |
| 206 | 1-1/8 | 0.61 | 1-19/64 | 0.7067 | 2.4409 | 0.190 | 1-27/32 | 5/16-24 | 13/32 | 1-1/32 |
| | 1-3/16 | 0.58 | | | | | | | | |
| | 1-1/4 | 0.56 | | | | | | | | |
| | 30mm | 0.25 | 32.9 | 18.0 | 62.0 | 4.8 | 40.1 | M8 x 1.25 | 9.9 | 23.0 |
| 207 | 1-1/4 | 0.92 | 1-7/16 | 0.7480 | 2.8346 | 0.202 | 2-3/64 | 5/16-24 | 15/32 | 1-3/32 |
| | 1-3/8 | 0.88 | | | | | | | | |
| | 1-7/16 | 0.75 | | | | | | | | |
| | 35mm | 0.38 | 36.5 | 19.0 | 72.0 | 5.1 | 46.8 | M8 x 1.25 | 10.3 | 26.2 |
| 208 | 1-1/2 | 1.20 | 1-9/16 | 0.8661 | 3.1496 | 0.224 | 2-7/32 | 5/16-24 | 15/32 | 1-1/8 |
| | 40mm | 0.52 | 39.7 | 22.0 | 80.0 | 5.7 | 52.0 | M8 x 1.25 | 11.9 | 27.8 |
| 209 | 1-11/16 | 1.41 | 1-19/32 | 0.8661 | 3.3465 | 0.248 | 2-7/16 | 3/8-24 | 15/32 | 1-5/32 |
| | 1-3/4 | 1.34 | | | | | | | | |
| | 45mm | 0.61 | 40.5 | 22.0 | 85.0 | 6.3 | 56.4 | M8 x 1.25 | 11.9 | 28.6 |
| 210 | 1-15/16 | 1.46 | 1-5/8 | 0.8661 | 3.5433 | 0.248 | 2-23/32 | 3/8-24 | 1/2 | 1-7/32 |
| | 2 | 1.37 | | | | | | | | |
| | 50mm | 0.63 | 41.3 | 22.0 | 90.0 | 6.3 | 61.9 | M10 x 1.5 | 11.9 | 29.4 |
| 211 | 2 | 2.24 | 1-23/32 | 0.9449 | 3.9370 | 0.267 | 2-23/32 | 3/8-24 | 1/2 | 1-7/32 |
| | 2-3/16 | 1.95 | | | | | | | | |
| | 55mm | 0.97 | 43.7 | 24.0 | 100.0 | 6.8 | 69.1 | M10 x 1.5 | 12.7 | 31.0 |

| | | | |
|--------------------------------|---------------------------|------------------------|---------------------------------|
| FEATURES/BENEFITS PAGE B3-2 | NOMENCLATURE PAGE B3-4 | SELECTION PAGE B3-5 | RELATED PRODUCTS PAGE B3-133 |
|--------------------------------|---------------------------|------------------------|---------------------------------|

SELECTION/DIMENSIONS



Setscrew Ball Bearings CC BALL BEARING FAN AND BLOWER INSERTS



| Series | Shaft Size | Part No. | Description |
|--------|------------|---------------|-------------|
| 205 | 15/16 | 134161 | INS-CC-015 |
| | 1 | 134162 | INS-CC-100 |
| 206 | 1-1/8 | 134164 | INS-CC-102 |
| | 1-3/16 | 134165 | INS-CC-103 |
| 207 | 1-1/4 | 134166 | INS-CC-104 |
| | 1-3/8 | 134168 | INS-CC-106 |
| | 1-7/16 | 134169 | INS-CC-107 |
| 209 | 1-11/16 | 134170 | INS-CC-111 |
| | 1-3/4 | 134171 | INS-CC-112 |
| 210 | 1-15/16 | 134172 | INS-CC-115 |
| 211 | 2-3/16 | 134174 | INS-CC-203 |

| | | | |
|--------------------------------|---------------------------|------------------------|---------------------------------|
| FEATURES/BENEFITS PAGE B3-2 | NOMENCLATURE PAGE B3-4 | SELECTION PAGE B3-5 | RELATED PRODUCTS PAGE B3-133 |
|--------------------------------|---------------------------|------------------------|---------------------------------|

SELECTION/DIMENSIONS



Setscrew Ball Bearings CC BALL BEARING FAN AND BLOWER INSERTS

Bearing Quick Reference

E-Z KLEEN

GRIP TIGHT Adapter Ball Bearing

Set Screw Ball Bearing

Eccentric Collar Ball Bearing

| Series | Shaft Size | Weight lbs. | A | Nominal C in/mm | Nominal D in/mm | L | W | Y |
|--------|--------------------------|----------------------|---------|--------------------|--------------------|---------|-------|---------|
| 205 | 15/16 1 | .54 .51 | 1-23/64 | .5906 15 | 2.0472 52 | 1-5/16 | 9/16 | 51/64 |
| 206 | 1-1/8 1-3/16 | .89 .83 | 1-9/16 | .6299 16 | 2.4409 62 | 1-19/32 | 39/64 | 61/64 |
| 207 | 1-1/4 1-3/8 1-7/16 | 1.44 1.26 1.20 | 1-49/64 | .6693 17 | 2.8346 72 | 1-27/32 | 21/32 | 1-7/64 |
| 209 | 1-11/16 1-3/4 | 1.87 1.82 | 2-1/32 | .7480 19 | 3.3465 85 | 2-9/32 | 51/64 | 1-15/64 |
| 210 | 1-15/16 | 2.18 | 2-3/32 | .7874 | 3.5433 | 2-15/32 | 53/64 | 1-17/64 |
| 211 | 2-3/16 | 2.88 | 2-1/4 | .8268 21 | 3.9370 100 | 2-3/4 | 27/32 | 1-13/32 |

The insert is relubricated through the back seal area of the bearing.

| | | | |
|--------------------------------|---------------------------|------------------------|---------------------------------|
| FEATURES/BENEFITS PAGE B3-2 | NOMENCLATURE PAGE B3-4 | SELECTION PAGE B3-5 | RELATED PRODUCTS PAGE B3-133 |
|--------------------------------|---------------------------|------------------------|---------------------------------|

MODIFICATIONS/ ACCESSORIES



Setscrew Ball Bearings

LUBRICANTS

DODGE ball bearings are factory lubricated with a lithium complex base lubricant. For applications where extreme ambient temperatures or speeds are anticipated or environmental considerations require a different lubricant, DODGE has a wide variety of lubricants available. Special lubricant options usually require set-up charges and premiums.

SEALS

The PROGUARD PLUS seal is a highly effective positive contact, land riding seal with flingers pressed on to each side of the inner ring offering added protection from wash down or extreme contamination. For high speeds or where seal drag would be an impediment, an all metallic labyrinth seal is available.

HIGH TEMPERATURE

DODGE high temperature bearings are designed to operate in temperatures from 225°F (108°C) to 400°F (205°C). The bearings have adjusted internal clearances, metallic labyrinth seals, high temperature retainers, heat stabilized outer rings, and lubricants to meet the temperature needs of the application. To insure proper replacement, the bearing is identified by a six digit part number etched on a stainless steel nameplate riveted to the housing. The part number identifies the specific feature of the bearing. High temperature bearings are factory assembled to order and are available at extra cost. Consult Dodge Engineering for application assistance at (864)284-5700 or fax (864) 281-2317.

AIR HANDLING

Industrial fans and blowers generally operate at high speeds with bearing requirements of long life and quiet operation. Dodge stocks SC, and SCM Air Handling Pillow Blocks and flange bearings that are specifically designed to meet the requirements of the air handling industry. These bearings are 100% noise tested, and have an air handling fit for long life and quiet operation. These bearings are recommended for fan and blower applications. Sizes and housing configurations not listed can be supplied on a made to order basis.

HOUSING MATERIAL

For extra corrosion resistance, a variety of housing finishes are available. Special materials include stainless steel or polymer housing, as an option. These coatings conform to U.S.D.A. and F.D.A. requirements. SC and SCM inserts can be supplied with a corrosion resistant coating on the inner and outer rings, stainless steel balls and set-screws, and nickel plated flingers as well as F.D.A. lubricant.

OTHER MODIFICATIONS

For applications requiring modifications not listed, we encourage you to contact our Customer Order Engineering Department at (864)284-5700 or fax (864)281-2317.

Bearing Quick Reference

E-Z KLEEN

GRIP TIGHT Adapter Ball Bearing

Set Screw Ball Bearing

Eccentric Collar Ball Bearing

| | | | |
|--------------------------------|------------------------|------------------------------------|---------------------------------|
| FEATURES/BENEFITS PAGE B3-2 | SELECTION PAGE B3-5 | SELECTION/DIMENSIONS PAGE B3-10 | RELATED PRODUCTS PAGE B3-133 |
|--------------------------------|------------------------|------------------------------------|---------------------------------|

RELATED PRODUCTS



Setscrew Ball Bearings HIGH TEMPERATURE SC & SCM BALL BEARINGS

| Series | Shaft Size | Pillow Blocks | | 2 Bolt Flanges | | 4 Bolt Flanges | |
|--------------|---------------|----------------------|-----------------------|----------------------|-----------------------|----------------------|-----------------------|
| | | Part No. | Description | Part No. | Description | Part No. | Description |
| 204 | 1/2 | @ | P2B-SC-008L-HT | 054843 | F2B-SC-008L-HT | @ | F4B-SC-008L-HT |
| | 5/8 | @ | P2B-SC-010L-HT | 057474 | F2B-SC-010L-HT | 067710 | F4B-SC-010L-HT |
| | 3/4 | 053670 | P2B-SC-012-HT | 052618 | F2B-SC-012-HT | 058263 | F4B-SC-012-HT |
| | 20 mm | @ | <i>P2B-SC-20M-HT</i> | @ | <i>F2B-SC-20M-HT</i> | @ | <i>F4B-SC-20M-HT</i> |
| 205 | 7/8 | @ | P2B-SC-014-HT | 051906 | F2B-SC-014-HT | @ | F4B-SC-014-HT |
| | 15/16 | @ | P2B-SC-015-HT | 056864 | F2B-SC-015-HT | 054190 | F4B-SC-015-HT |
| | 1 | 051513 | P2B-SC-100-HT | 052294 | F2B-SC-100-HT | 052015 | F4B-SC-100-HT |
| | 25 mm | @ | <i>P2B-SC-25M-HT</i> | 059821 | <i>F2B-SC-25M-HT</i> | @ | <i>F4B-SC-25M-HT</i> |
| 206 | 1 | 054782 | P2B-SCM-100-HT | @ | F2B-SCM-100-HT | @ | F4B-SCM-100-HT |
| | 1-1/8 | @ | P2B-SC-102-HT | 062877 | F2B-SC-102-HT | 068290 | F4B-SC-102-HT |
| | 1-3/16 | 053169 | P2B-SC-103-HT | 052604 | F2B-SC-103-HT | 054419 | F4B-SC-103-HT |
| | 1-1/4 | 062829 | P2B-SC-104S-HT | @ | F2B-SC-104S-HT | 049462 | F4B-SC-104S-HT |
| 206 (SCU) | 30 mm | @ | <i>P2B-SC-30M-HT</i> | @ | <i>F2B-SC-30M-HT</i> | 054534 | <i>F4B-SC-30M-HT</i> |
| | 1-1/8 | @ | P2B-SCU-102-HT | ----- | ----- | ----- | ----- |
| | 1-3/16 | 059737 | P2B-SCU-103-HT | ----- | ----- | ----- | ----- |
| | 1-1/4 | 057847 | P2B-SCU-104S-HT | ----- | ----- | ----- | ----- |
| 207 | 30 mm | @ | <i>P2B-SCU-30M-HT</i> | ----- | ----- | ----- | ----- |
| | 1-3/16 | 054314 | P2B-SCM-103-HT | @ | F2B-SCM-103-HT | @ | F4B-SCM-103-HT |
| | 30mm | @ | <i>P2B-SCM-30M-HT</i> | 059673 | <i>F2B-SCM-30M-HT</i> | @ | <i>F4B-SCM-30M-HT</i> |
| | 1-1/4 | 058262 | P2B-SC-104-HT | 052311 | F2B-SC-104-HT | 051826 | F4B-SC-104-HT |
| | 1-3/8 | @ | P2B-SC-106-HT | @ | F2B-SC-106-HT | 068185 | F4B-SC-106-HT |
| | 1-7/16 | 050189 | P2B-SC-107-HT | 054300 | F2B-SC-107-HT | 052540 | F4B-SC-107-HT |
| 208 | 35 mm | @ | <i>P2B-SC-35M-HT</i> | ----- | ----- | ----- | ----- |
| | 1-7/16 | 054276 | P2B-SCM-107-HT | @ | F2B-SCM-107-HT | 054342 | F4B-SCM-107-HT |
| | 1-1/2 | 057338 | P2B-SC-108-HT | 054203 | F2B-SC-108-HT | 051827 | F4B-SC-108-HT |
| | 1-5/8 | @ | P2B-SC-110-HT | @ | F2B-SC-110-HT | 058194 | F4B-SC-110-HT |
| 40 mm | 062572 | <i>P2B-SC-40M-HT</i> | @ | <i>F2B-SC-40M-HT</i> | @ | <i>F4B-SC-40M-HT</i> | |

@ Assembled to order.

Bearing Quick Reference

E-Z KLEEN

GRIP TIGHT Adapter Ball Bearing

Set Screw Ball Bearing

Eccentric Collar Ball Bearing

| | | | |
|--------------------------------|---------------------------|-----------------------------------|---|
| FEATURES/BENEFITS PAGE B3-2 | NOMENCLATURE PAGE B3-4 | SELECTION/DIMENSION PAGE B3-10 | MODIFICATION/ACCESSORIES PAGE B3-132 |
|--------------------------------|---------------------------|-----------------------------------|---|

RELATED PRODUCTS

DODGE®



Setscrew Ball Bearings HIGH TEMPERATURE SC & SCM BALL BEARINGS

| Series | Shaft Size | Pillow Blocks | | 2 Bolt Flanges | | 4 Bolt Flanges | |
|--------|------------|---------------|-----------------------|----------------|----------------------|----------------|-----------------------|
| | | Part No. | Description | Part No. | Description | Part No. | Description |
| 209 | 1-1/2 | 058380 | P2B-SCM-108-HT | 054203 | F2B-SCM-108-HT | 064557 | F4B-SCM-108-HT |
| | 1-5/8 | @ | P2B-SC-110L-HT | @ | F2B-SC-110L-HT | @ | F4B-SC-110L-HT |
| | 1-11/16 | 053563 | P2B-SC-111-HT | @ | F2B-SC-111-HT | 057212 | F4B-SC-111-HT |
| | 1-11/16 | 058619 | P2B-SCB-111-HT | ----- | ----- | ----- | ----- |
| | 1-3/4 | @ | P2B-SC-112-HT | 062157 | F2B-SC-112-HT | 051825 | F4B-SC-112-HT |
| | 45 mm | @ | <i>P2B-SC-45M-HT</i> | @ | <i>F2B-SC-45M-HT</i> | @ | <i>F4B-SC-45M-HT</i> |
| 210 | 1-11/16 | 054315 | P2B-SCM-111-HT | @ | F2B-SCM-111-HT | 054593 | F4B-SCM-111-HT |
| | 1-3/4 | @ | P2B-SCM-112-HT | 057114 | F2B-SCM-112-HT | 057368 | F4B-SCM-112-HT |
| | 1-15/16 | 052047 | P2B-SC-115-HT | @ | F2B-SC-115-HT | 052048 | F4B-SC-115-HT |
| | 1-15/16 | 052532 | P2B-SCB-115-HT | ----- | ----- | ----- | ----- |
| | 2 | 058183 | P2B-SC-200-HT | 062309 | F2B-SC-200-HT | 057132 | F4B-SC-200-HT |
| | 50 mm | @ | <i>P2B-SC-50M-HT</i> | 062779 | <i>F2B-SC-50M-HT</i> | 068066 | <i>F4B-SC-50M-HT</i> |
| 211 | 1-15/16 | 052276 | P2B-SCM-115-HT | @ | F2B-SCM-115-HT | 057363 | F4B-SCM-115-HT |
| | 2 | 054934 | P2B-SCM-200-HT | @ | F2B-SCM-200-HT | 054065 | F4B-SCM-200-HT |
| | 2-3/16 | 053955 | P2B-SC-203-HT | 059954 | F2B-SC-203-HT | 058852 | F4B-SC-203-HT |
| | 2-1/4 | @ | P2B-SC-204-HT | @ | F2B-SC-204-HT | 054918 | F4B-SC-204-HT |
| | 55mm | @ | <i>P2B-SC-55M-HT</i> | @ | <i>F2B-SC-55M-HT</i> | 049894 | <i>F4B-SC-55M-HT</i> |
| 212 | 2-3/16 | 054412 | P2B-SCM-203-HT | @ | F2B-SCM-203-HT | @ | F4B-SCM-203-HT |
| | 2-1/4 | @ | P2B-SCM-204-HT | @ | F2B-SCM-204-HT | 067830 | F4B-SCM-204-HT |
| | 2-7/16 | 059614 | P2B-SC-207-HT | @ | F2B-SC-207-HT | 057487 | F4B-SC-207-HT |
| | 60 mm | 057800 | <i>P2B-SC-60M-HT</i> | 057800 | <i>F2B-SC-60M-HT</i> | 057801 | <i>F4B-SC-60M-HT</i> |
| 214 | 2-7/16 | 054316 | P2B-SCM-207-HT | ----- | ----- | 054917 | F4B-SCM-207-HT |
| | 2-1/2 | @ | P2B-SCM-208-HT | ----- | ----- | 056630 | F4B-SCM-208-HT |
| | 2-11/16 | 067774 | P2B-SC-211-HT | ----- | ----- | @ | F4B-SC-211-HT |
| | 70 mm | @ | <i>P2B-SC-70M-HT</i> | ----- | ----- | @ | <i>F4B-SC-70M-HT</i> |
| 215 | 2-15/16 | 056588 | P2B-SC-215-HT | ----- | ----- | 052550 | F4B-SC-215-HT |
| | 75 mm | @ | <i>P2B-SC-75M-HT</i> | ----- | ----- | @ | <i>F4B-SC-75M-HT</i> |
| 216 | 2-15/16 | 054556 | P2B-SCM-215-HT | ----- | ----- | 052478 | F4B-SCM-215-HT |
| | 3 | @ | P2B-SCM-300-HT | ----- | ----- | 059696 | F4B-SCM-300-HT |
| | 75mm | @ | <i>P2B-SCM-75M-HT</i> | ----- | ----- | 062182 | <i>F4B-SCM-75M-HT</i> |
| 218 | 3-7/16 | 049991 | P2B-SCM-307-HT | ----- | ----- | 057708 | F4B-SCM-307-HT |
| | 3-1/2 | @ | P2B-SCM-308-HT | ----- | ----- | 058633 | F4B-SCM-308-HT |

@ Assembled to order.

FEATURES/BENEFITS
PAGE B3-2

NOMENCLATURE
PAGE B3-4

SELECTION/DIMENSION
PAGE B3-10

MODIFICATION/ACCESSORIES
PAGE B3-132

RELATED PRODUCTS



Setscrew Ball Bearings HIGH TEMPERATURE SC & SCM BALL BEARINGS

| Series | Shaft Size | Tapped Base Pillow Blocks | | Flanged Bracket | |
|--------|------------|---------------------------|--------------|-----------------|--------------|
| | | Part Number | Description | Part Number | Description |
| 204 | 3/4 | 059636 | TB-SC-012-HT | @ | FB-SC-012-HT |
| 205 | 1 | 057906 | TB-SC-100-HT | @ | FB-SC-100-HT |
| 207 | 1-1/4 | @ | TB-SC-104-HT | 056578 | FB-SC-104-HT |
| 211 | 2-3/16 | 050555 | TB-SC-203-HT | | |

| Series | Shaft Size | Non Expansion Pillow Blocks | | Expansion Pillow Blocks | |
|--------|------------|-----------------------------|----------------|-------------------------|-----------------|
| | | Part Number | Description | Part Number | Description |
| 206 | 1-3/16 | ----- | ----- | 054063 | P2B-SCH-103-EHT |
| 207 | 1-7/16 | 053894 | P2B-SCH-107-HT | 053895 | P2B-SCH-107-EHT |

| Series | Shaft Size | Piloted Flanges | |
|--------|------------|-----------------|---------------|
| | | Part Number | Description |
| 206 | 1 | 058652 | FC-SCM-100-HT |
| 208 | 1-1/2 | 053871 | FC-SC-108-HT |
| | 1-1/2 | 057683 | FC-SCM-108-HT |
| 211 | 1-15/16 | 058915 | FC-SCM-115-HT |
| | 2-1/4 | 058233 | FC-SC-204-HT |
| 212 | 2-7/16 | 058738 | FC-SC-207-HT |
| | 55 mm | 054837 | FC-SCM-55M-HT |
| 216 | 2-15/16 | 054831 | FC-SCM-215-HT |
| | 3 | 056911 | FC-SCM-300-HT |
| 218 | 3-7/16 | 068239 | FC-SCM-307-HT |

| Series | Shaft Size | Wide Slot Take-up | | Narrow Slot Take-up | |
|--------|------------|-------------------|-----------------|---------------------|-----------------|
| | | Part Number | Description | Part Number | Description |
| 210 | 1-15/16 | 057265 | WSTU-SC-115-HT | 054580 | NSTU-SC-115-HT |
| 211 | 55 mm | 049893 | WSTU-SC-55M-HT | @ | NSTU-SC-55M-HT |
| | 1-15/16 | 049891 | WSTU-SCM-115-HT | @ | NSTU-SCM-115-HT |
| 212 | 2-7/16 | 057839 | WSTU-SC-207-HT | @ | NSTU-SC-207-HT |
| 214 | 2-7/16 | 049811 | WSTU-SCM-207-HT | @ | ----- |
| 215 | 2-15/16 | 059844 | WSTU-SC-215-HT | @ | ----- |

@ Assembled to order.

Bearing Quick Reference

E-Z KLEEN

GRIP TIGHT Adapter Ball Bearing

Set Screw Ball Bearing

Eccentric Collar Ball Bearing

| | | | |
|--------------------------------|---------------------------|-----------------------------------|---|
| FEATURES/BENEFITS PAGE B3-2 | NOMENCLATURE PAGE B3-4 | SELECTION/DIMENSION PAGE B3-10 | MODIFICATION/ACCESSORIES PAGE B3-132 |
|--------------------------------|---------------------------|-----------------------------------|---|

RELATED PRODUCTS

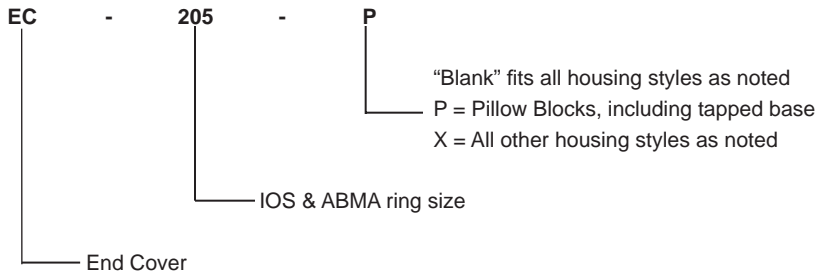


DODGE Ball Bearing End Covers*



- Fits all styles of DODGE cast iron housed ball bearings.: Pillow Blocks, 2 and 4 Bolt Flanges, and Take-Up bearings
- Injected molded, impact resistant, OSHA safety yellow end covers meet requirements for exposed rotating shaft
- Stainless steel "C" washer for gripping power
- No modification or machining of existing housings required
- Concentric knockout grooves on inside of end cover for thru-shaft
- DODGE six digit part number and description embossed inside
- Operating temperature to 250° F
- For non relubricable/sealed for life applications (-NL), part number **430020** hex head plug is available

Nomenclature



| | | | |
|--------------------------------|---------------------------|-----------------------------------|---|
| FEATURES/BENEFITS PAGE B3-2 | NOMENCLATURE PAGE B3-4 | SELECTION/DIMENSION PAGE B3-10 | MODIFICATION/ACCESSORIES PAGE B3-132 |
|--------------------------------|---------------------------|-----------------------------------|---|

RELATED PRODUCTS



DODGE Ball Bearing End Covers*

| Series | Pillow Blocks Std, U, B | Tapped Base PB | 2 Bolt Flange | Flanged Bracket | 4 Bolt Flange | Piloted Flange (FC) | Narrow Slot Take-Up | Wide Slot Take-Up |
|--------|-------------------------|----------------|---------------|-----------------|---------------|---------------------|---------------------|-------------------|
| 203 | X | | X | | X | | | |
| 204 | X | X | X | X | X | | X | X |
| 205 | X | X | X | X | X | | X | X |
| 206 | X | X | X | X | X | @ | X | X |
| 207 | X | X | X | X | X | @ | X | X |
| 208 | X | X | X | | X | @ | X | X |
| 209 | X | X | X | | X | @ | X | X |
| 210 | X | X | X | X | X | @ | X | X |
| 211 | X | X | X | | X | NA | X | X |
| 212 | X | | X | | X | NA | X | X |
| 214 | X | | | | X | NA | | X |
| 215 | X | | | | X | | | X |
| 216 | X | | | | X | X | | X |
| 218 | X | | | | X | X | | |

* = Will not fit LF, LFT, SCHB, HNCR & CYL
 @ = Some modification required

NA = Will not fit
 X = Will fit

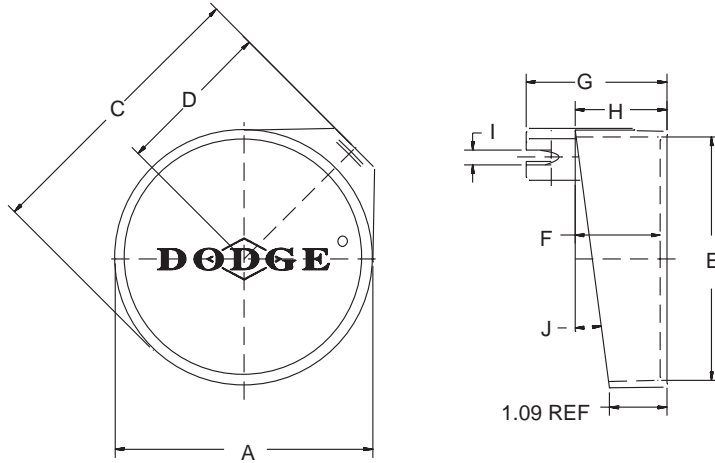
| | | | |
|--------------------------------|---------------------------|-----------------------------------|---|
| FEATURES/BENEFITS PAGE B3-2 | NOMENCLATURE PAGE B3-4 | SELECTION/DIMENSION PAGE B3-10 | MODIFICATION/ACCESSORIES PAGE B3-132 |
|--------------------------------|---------------------------|-----------------------------------|---|

RELATED PRODUCTS



DODGE Ball Bearing End Covers*

BALL BEARING END COVERS FOR PILLOW BLOCKS & TAPPED BASE UNITS



| Series | Shaft Size* | | Part Number | Description |
|--------|------------------------|--------------------------|-------------|-------------|
| | SC, VSC, DL, SXR, SXV | SCM, DLM, SCH, SXRH, DLH | | |
| 203 | 1/2 & 5/8 17mm | ----- | 128200 | EC-203-P |
| 204 | 1/2 - 3/4 20mm | ----- | 128202 | EC-204-P |
| 205 | 7/8 - 1 25mm | ----- | 128204 | EC-205-P |
| 206 | 1-1/16 - 1-1/4 30mm | 1 25mm | 128206 | EC-206-P |
| 207 | 1-1/4 - 1-7/16 35mm | 1-3/16 & 1-1/4 30mm | 128208 | EC-207-P |
| 208 | 1-1/2 - 1-5/8 40mm | 1-7/16 35mm | 128210 | EC-208-P |
| 209 | 1-5/8 - 1-3/4 45mm | 1-1/2 40mm | 128212 | EC-209-P |
| 210 | 1-15/16 & 2 50mm | 1-11/16 & 1-3/4 45mm | 128214 | EC-210-P |
| 211 | 2 - 2-1/4 55mm | 1-15/16 & 2 50mm | 128216 | EC-211-P |
| 212 | 2-1/4 - 2-7/16 60mm | 2-3/16 - 2-1/4 55mm | 128218 | EC-212-P |

*NOTE: SCH, SXRH, and DLH use the next larger end cover. E.g. A P2B-DLH-103 would use a EC-207-P.

For no re-lube (_NL) applications, part number 430030, hex head plus is available

| | | | |
|--------------------------------|---------------------------|-----------------------------------|---|
| FEATURES/BENEFITS PAGE B3-2 | NOMENCLATURE PAGE B3-4 | SELECTION/DIMENSION PAGE B3-10 | MODIFICATION/ACCESSORIES PAGE B3-132 |
|--------------------------------|---------------------------|-----------------------------------|---|

RELATED PRODUCTS



DODGE Ball Bearing End Covers*

BALL BEARING END COVERS FOR PILLOW BLOCKS & TAPPED BASE UNITS

| Series | Shaft Size* | | A | B | C | D | E | F | G | H | I | J |
|--------|------------------------|--------------------------|------------------|------------------|------------------|-----------------|------------------|------------------|-----------------|-----------------|---------------|-------|
| | SC, VSC, DL, SXR, SXV | SCM, DLM, SCH, SXRH, DLH | | | | | | | | | | |
| 203 | 1/2 & 5/8 17mm | ----- | 1-25/32 45.2 | 1-43/64 42.4 | 2-7/64 53.6 | 1-3/32 27.7 | 1-41/64 41.7 | 49/64 19.56 | 1-29/64 37.1 | 29/32 22.9 | 1/4 6.4 | 9° |
| 204 | 1/2 - 3/4 20mm | ----- | 2-3/64 52.0 | 1-27/32 46.7 | 2-37/64 65.3 | 1-19/64 33.0 | 1-55/64 47.2 | 1-1/64 25.65 | 1-49/64 45.0 | 1-5/32 29.5 | 5/16 7.9 | 11° |
| 205 | 7/8 - 1 25mm | ----- | 2-3/8 60.2 | 2-3/16 55.6 | 2-13/16 71.4 | 1-3/16 35.0 | 2-5/32 54.9 | 1-1/16 26.92 | 1-7/8 47.8 | 1-7/32 31.0 | 11/32 8.6 | 9° |
| 206 | 1-1/16 - 1-1/4 30mm | 1 25mm | 2-47/64 69.3 | 2-17/32 64.3 | 3-21/64 84.3 | 1-45/64 43.2 | 2-1/2 63.5 | 1-15/64 31.5 | 2-5/32 54.9 | 1-13/32 35.6 | 23/64 8.9 | 9° |
| 207 | 1-1/4 - 1-7/16 35mm | 1-3/16 & 1-1/4 30mm | 3-1/4 82.6 | 3 76.20 | 3-51/64 96.3 | 1-29/32 48.5 | 3-1/64 76.7 | 1-5/16 33.27 | 2-11/32 59.4 | 1-31/64 37.6 | 3/8 9.4 | 7° 3' |
| 208 | 1-1/2 - 1-5/8 40mm | 1-7/16 35mm | 3-3/8 85.9 | 3-1/8 79.5 | 4 101.60 | 2-1/16 52.3 | 3-7/64 79.0 | 1-19/64 33.02 | 2-13/32 61.0 | 1-1/2 38.1 | 27/64 10.7 | 6° |
| 209 | 1-5/8 - 1-3/4 45mm | 1-1/2 40mm | 3-11/16 93.7 | 3-15/32 88.1 | 4-17/64 108.2 | 2-11/64 55.1 | 3-13/32 86.6 | 1-21/64 33.78 | 2-21/64 59.2 | 1-17/32 38.9 | 25/64 9.9 | 7° |
| 210 | 1-15/16 & 2 50mm | 1-11/16 & 1-3/4 45mm | 3-7/8 98.6 | 3-37/64 90.9 | 4-1/2 114.3 | 2-19/32 59.2 | 3-37/64 90.9 | 1-23/64 34.29 | 2-1/2 63.5 | 1-9/16 39.6 | 31/64 12.5 | 9° |
| 211 | 2 - 2-1/4 55mm | 1-15/16 & 2 50mm | 4-27/64 12.3 | 4 101.60 | 5-1/16 128.5 | 2-19/32 66.0 | 4-1/8 104.7 | 1-13/32 35.81 | 2-37/64 65.3 | 1-5/8 41.2 | 29/64 11.4 | 7° |
| 212 | 2-1/4 - 2-7/16 60mm | 2-3/16 - 2-1/4 55mm | 4-59/64 125.0 | 4-15/32 113.3 | 5-29/64 138.7 | 2-3/4 69.9 | 4-39/64 117.1 | 1-17/32 38.86 | 2-11/16 68.3 | 1-3/4 44.5 | 13/32 10.4 | 8° |

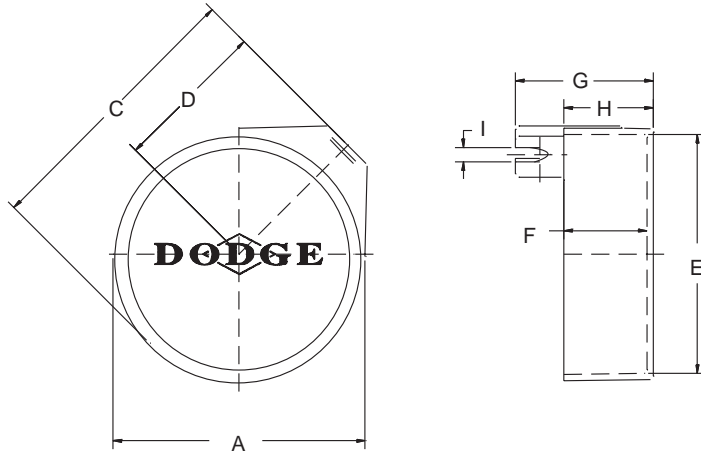
| | | | |
|--------------------------------|---------------------------|-----------------------------------|---|
| FEATURES/BENEFITS PAGE B3-2 | NOMENCLATURE PAGE B3-4 | SELECTION/DIMENSION PAGE B3-10 | MODIFICATION/ACCESSORIES PAGE B3-132 |
|--------------------------------|---------------------------|-----------------------------------|---|

RELATED PRODUCTS



DODGE Ball Bearing End Covers*

BALL BEARING END COVERS FOR MOUNTED UNITS OTHER THAN PILLOW BLOCKS & TAPPED BASE UNITS



| Series | Shaft Size* | | Part Number | Description |
|--------|------------------------|-------------------------|-------------|-------------|
| | SC, VSC, DL, SXR, SXV | SCM & DLM | | |
| 203 | 1/2 & 5/8 17mm | ----- | 128201 | EC-203-X |
| 204 | 1/2 - 3/4 20mm | ----- | 128203 | EC-204-X |
| 205 | 7/8 - 1 25mm | ----- | 128205 | EC-205-X |
| 206 | 1-1/16 - 1-1/4 30mm | 1 25mm | 128207 | EC-206-X |
| 207 | 1-1/4 - 1-7/16 35mm | 1-3/16 & 1-1/4 30mm | 128209 | EC-207-X |
| 208 | 1-1/2 - 1-5/8 40mm | 1-7/1 35mm | 128211 | EC-208-X |
| 209 | 1-5/8 - 1-3/4 45mm | 1-1/2 40mm | 128213 | EC-209-X |
| 210 | 1-15/16 & 2 50mm | 1-11/16 & 1-3/4 45mm | 128215 | EC-210-X |
| 211 | 2 - 2-1/4 55mm | 1-15/16 & 2 50mm | 128217 | EC-211-X |
| 212 | 2-1/4 - 2-7/16 60mm | 2-3/16 - 2-1/4 55mm | 128219 | EC-212-X |

***NOTE:** Above end covers will not fit the LF and LFT bearings

For no re-lube (_NL) applications, part number 430030, hex head plus is available

| | | | |
|--------------------------------|---------------------------|-----------------------------------|---|
| FEATURES/BENEFITS PAGE B3-2 | NOMENCLATURE PAGE B3-4 | SELECTION/DIMENSION PAGE B3-10 | MODIFICATION/ACCESSORIES PAGE B3-132 |
|--------------------------------|---------------------------|-----------------------------------|---|

RELATED PRODUCTS



DODGE Ball Bearing End Covers*

BALL BEARING END COVERS FOR MOUNTED UNITS OTHER THAN PILLOW BLOCKS & TAPPED BASE UNITS

| Series | Shaft Size* | | Weight lbs gm | A | B | C | D | E | F | G | H | I |
|--------|--------------------------|-----------------|---------------------|---------|---------|---------|---------|---------|---------|---------|---------|-------|
| | SC, VSC, DL, SXR, SXV | SCM & DLM | | | | | | | | | | |
| 203 | 1/2 & 5/8 | ----- | 0.02 | 1-51/64 | 1-43/64 | 2-13/64 | 1-3/16 | 1-41/64 | 51/64 | 1-29/64 | 15/16 | 1/4 |
| | 17mm | ----- | 1 | 45.5 | 42.4 | 56.1 | 30.2 | 41.7 | 20.3 | 37.1 | 23.9 | 6.4 |
| 204 | 1/2 - 3/4 | ----- | 0.03 | 2-7/32 | 2 | 2-47/64 | 1-25/64 | 2-1/32 | 1-1/64 | 1-13/16 | 1-5/32 | 5/16 |
| | 20mm | ----- | 15 | 56.1 | 50.8 | 69.6 | 35.3 | 51.6 | 25.7 | 45.7 | 29.5 | 7.9 |
| 205 | 7/8 - 1 | ----- | 0.05 | 2-3/8 | 2-3/16 | 3-3/64 | 1-19/32 | 2-5/32 | 1-1/64 | 1-53/64 | 1-11/64 | 11/32 |
| | 25mm | ----- | 24 | 60.2 | 55.6 | 77.2 | 40.6 | 54.9 | 25.7 | 46.5 | 29.7 | 8.7 |
| 206 | 1-1/16 - 1-1/4 | 1 | 0.08 | 2-47/64 | 2-17/32 | 3-21/64 | 1-45/64 | 2-1/2 | 1-3/16 | 2-1/16 | 1-23/64 | 23/64 |
| | 30mm | 25mm | 36 | 69.3 | 64.3 | 84.3 | 43.2 | 63.5 | 30.2 | 52.3 | 34.5 | 8.9 |
| 207 | 1-1/4 - 1-7/16 | 1-3/16 & 1-1/4 | 0.12 | 3-1/4 | 3 | 3-27/32 | 1-31/32 | 3-1/64 | 1-11/32 | 2-11/32 | 1-17/32 | 3/8 |
| | 35mm | 30mm | 53 | 82.6 | 76.2 | 97.5 | 50.0 | 76.7 | 34.5 | 59.4 | 38.9 | 9.4 |
| 208 | 1-1/2 - 1-5/8 | 1-7/16 | 0.14 | 3-3/8 | 3-1/8 | 4 | 2-1/16 | 3-7/64 | 1-19/64 | 2-13/32 | 1-1/2 | 27/64 |
| | 40mm | 35mm | 64 | 85.9 | 79.5 | 101.60 | 52.3 | 79.0 | 33.0 | 61.0 | 38.1 | 10.7 |
| 209 | 1-5/8 - 1-3/4 | 1-1/2 | 0.16 | 3-11/16 | 3-15/32 | 4-17/64 | 2-11/64 | 3-13/32 | 1-23/64 | 2-21/64 | 1-17/32 | 25/64 |
| | 45mm | 40mm | 73 | 93.7 | 88.1 | 108.2 | 55.1 | 86.6 | 34.3 | 59.2 | 38.9 | 9.9 |
| 210 | 1-15/16 & 2 | 1-11/16 & 1-3/4 | 0.18 | 3-7/8 | 3-37/64 | 4-1/2 | 2-21/64 | 3-9/16 | 1-23/64 | 2-33/64 | 1-9/16 | 31/64 |
| | 50mm | 45mm | 82 | 98.6 | 90.9 | 114.3 | 59.2 | 90.9 | 34.3 | 63.8 | 39.6 | 12.4 |
| 211 | 2 - 2-1/4 | 1-15/16 & 2 | 0.24 | 4-27/64 | 4 | 5-1/16 | 2-19/32 | 4-1/8 | 1-29/64 | 2-37/64 | 1-21/32 | 29/64 |
| | 55mm | 50mm | 108 | 112.3 | 101.6 | 128.5 | 66.0 | 104.7 | 36.8 | 65.3 | 42.2 | 11.4 |
| 212 | 2-1/4 - 2-7/16 | 2-3/16 - 2-1/4 | 0.27 | 4-59/64 | 4-15/32 | 5-15/32 | 2-3/4 | 4-39/64 | 1-35/64 | 2-11/16 | 1-3/4 | 13/32 |
| | 60mm | 55mm | 124 | 125 | 113.3 | 138.7 | 69.9 | 117.1 | 39.1 | 68.3 | 44.5 | 10.4 |

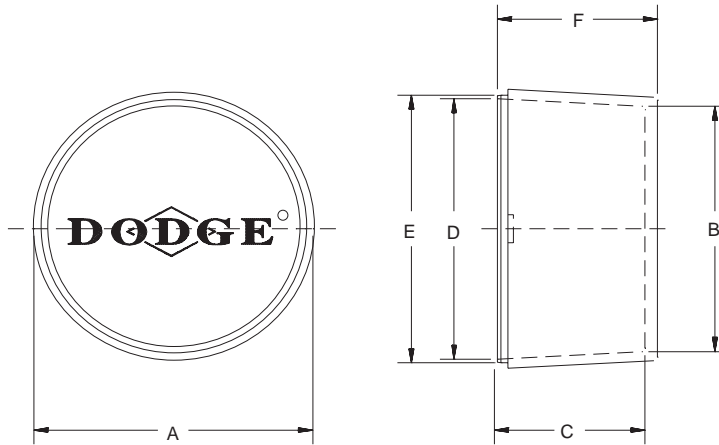
| | | | |
|--------------------------------|---------------------------|-----------------------------------|---|
| FEATURES/BENEFITS PAGE B3-2 | NOMENCLATURE PAGE B3-4 | SELECTION/DIMENSION PAGE B3-10 | MODIFICATION/ACCESSORIES PAGE B3-132 |
|--------------------------------|---------------------------|-----------------------------------|---|

RELATED PRODUCTS



DODGE Ball Bearing End Covers*

BALL BEARING END COVERS FOR MOUNTED UNITS 214 SERIES & LARGER



| Series | Shaft Size | | Part Number | Description |
|--------|---|------------------------|-------------|-------------|
| | SC, VSC, DL, SXR, SXV, SCH-E, SXRH-E, DLH-E | SC, VSC, DL, SCM & DLM | | |
| 214 | 2-1/2 & 2-11/16 70mm | 2-7/16 & 2-1/2 65mm | 480037 | EC-080 |
| 215 | 2-15/16 75mm | 2-11/16 70mm | 480455 | EC-090 |
| 216 | ----- | 2-15/16 & 3 75mm | 480456 | EC-100 |
| 218 | ----- | 3-7/16 & 3-1/2 85mm | 480457 | EC-110 |

| | | | |
|--------------------------------|---------------------------|-----------------------------------|---|
| FEATURES/BENEFITS PAGE B3-2 | NOMENCLATURE PAGE B3-4 | SELECTION/DIMENSION PAGE B3-10 | MODIFICATION/ACCESSORIES PAGE B3-132 |
|--------------------------------|---------------------------|-----------------------------------|---|

RELATED PRODUCTS



DODGE Ball Bearing End Covers*

BALL BEARING END COVERS FOR MOUNTED UNITS 214 SERIES & LARGER

| Series | Shaft Size | | Weight lbs <i>gm</i> | A | B | C | D | E | F |
|--------|--|-------------------------------|----------------------------|-------------------------|-------------------------|------------------------|-------------------------|---------------|------------------------|
| | SC, VSC, DL, SXR, SXV, SCHSXRH, DLH | SC, VSC, DL, SCM & DLM | | | | | | | |
| 214 | 2-1/2 & 2-11/16 <i>70mm</i> | 2-7/16 & 2-1/2 <i>65mm</i> | 0.33 <i>151</i> | 4-15/16 <i>125.5</i> | 4-7/16 <i>112.8</i> | 2-39/64 <i>66.3</i> | 4-39/64 <i>117.1</i> | | 2-53/64 <i>71.9</i> |
| 215 | 2-15/16 <i>75mm</i> | 2-11/16 <i>70mm</i> | 0.36 <i>164</i> | 5-3/32 <i>129.3</i> | 4-49/64 <i>120.9</i> | 2-29/64 <i>62.5</i> | 4-3/4 <i>120.7</i> | | 2-7/8 <i>72.9</i> |
| 216 | ----- ----- | 2-15/16 & 3 <i>75mm</i> | 0.44 <i>201.00</i> | 5-9/16 <i>141.2</i> | 5-15/64 <i>132.8</i> | 2-47/64 <i>69.6</i> | 5-13/64 <i>132.1</i> | <i>135.9-</i> | 2-63/64 <i>75.7</i> |
| 218 | ----- ----- | 3-7/16 & 3-1/2 <i>85mm</i> | 0.57 <i>257</i> | 6-5/16 <i>160.3</i> | 5-29/32 <i>149.9</i> | 2-27/32 <i>72.1</i> | 5-15/16 <i>150.6</i> | | 3-3/32 <i>78.5</i> |

| | | | |
|--------------------------------|---------------------------|-----------------------------------|---|
| FEATURES/BENEFITS PAGE B3-2 | NOMENCLATURE PAGE B3-4 | SELECTION/DIMENSION PAGE B3-10 | MODIFICATION/ACCESSORIES PAGE B3-132 |
|--------------------------------|---------------------------|-----------------------------------|---|

Bearing Quick Reference

NOTES



E-Z KLEEN

GRIP TIGHT Adapter Ball Bearing

Set Screw Ball Bearing

Eccentric Collar Ball Bearing

| | | | |
|--------------------------------|---------------------------|-----------------------------------|---|
| FEATURES/BENEFITS PAGE B3-2 | NOMENCLATURE PAGE B3-4 | SELECTION/DIMENSION PAGE B3-10 | MODIFICATION/ACCESSORIES PAGE B3-132 |
|--------------------------------|---------------------------|-----------------------------------|---|

CONTENTS



Eccentric Collar Ball Bearings

| | |
|--|-------|
| Features / Benefits | B4-2 |
| How to Order / Nomenclature | B4-4 |
| Selection | B4-5 |
| Selection/Dimensions | |
| Pillow Blocks | |
| SXR Normal Duty | B4-10 |
| SXV Intermediate Duty | B4-20 |
| SLX Light Duty | B4-26 |
| Flanges | |
| 2-Bolt Flange | B4-32 |
| 3-Bolt Flange | B4-44 |
| 4-Bolt Flange | B4-48 |
| Piloted Flange | B4-56 |
| Take-Ups | |
| SXR Normal Duty | B4-60 |
| SXV Intermediate Duty | B4-62 |
| SXR Normal Duty Hanger, Screw Conveyor Hanger & Cylindrical Units | B4-70 |
| Inserts | |
| SXR Normal Duty | B4-60 |
| SXV Intermediate Duty | B4-82 |
| Modification/Accessories | B4-84 |
| Related Products | |
| End Closures | B4-85 |
| Part Number Index | |
| Key Word Index | |

Bearing Quick Reference

E-Z KLEEN

GRIP TIGHT Adapter Ball Bearing

Set Screw Ball Bearing

Eccentric Collar Ball Bearing

FEATURES/BENEFITS



Eccentric Collar Ball Bearings

For more than 70 years, DODGE® has been talking to mounted bearing users and listening to their needs. This experience led to design of the optimum mounted ball bearings.

The result is the DODGE SXR/SXV/SLX line is the most current eccentric collar mounted ball bearing design on the market and provides the user unmatched quality and true total value.

The DODGE eccentric ball bearing is manufactured at the state-of-the-art DODGE bearing plant in Rogersville, Tennessee - an ISO 9002 certified plant.

- Precision-hardened inner ring
- Light Duty Narrow Inner Ring (SLX)
- Intermediate Duty Narrow Inner Ring (SXV)
- Normal-Duty Wide Inner Ring (SXR)
- Eccentric collar locking system
- DODGE PROGUARD™ land-riding, positive contact seal
- Stronger, flexible ball cage
- Simplified anti-rotation device
- Wide variety of housing configurations
- Available in 1/2" to 2-15/16", 17 to 75mm bore sizes
- SXR Seal options:
 - flingers
 - low torque labyrinth
- Other options: FDA/USDA lubricant and other special lubricants

DODGE End Covers

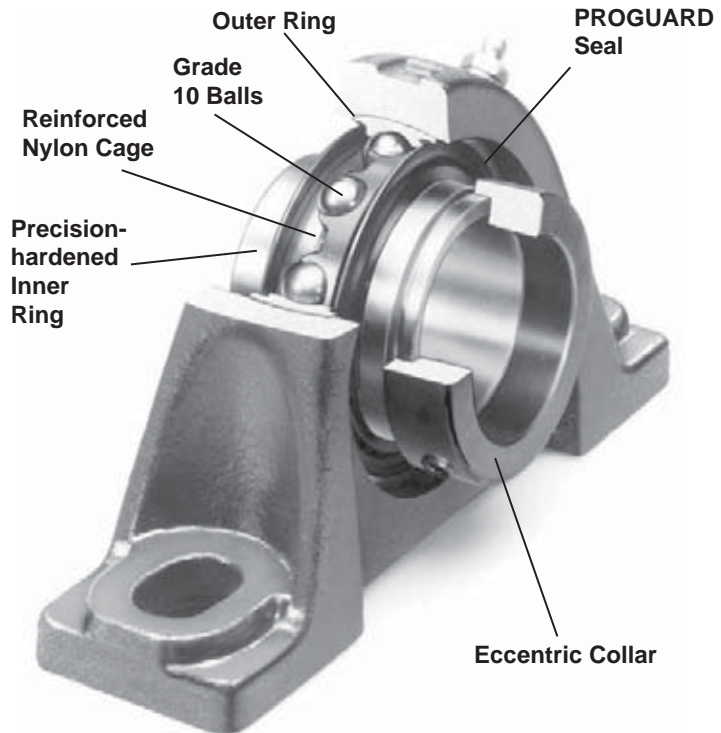
Available from stock to fit SXR and SXV mounted units, these end covers are designed for added protection from contaminants as well as for OSHA requirements. Covers are OSHA yellow.



DODGE Self-Locking Collar



The inner ring of the bearing is locked to the shaft by a quarter-turn of the eccentric collar in the direction of shaft rotation. The collar is secured in place with a single setscrew.



FEATURES/BENEFITS



Eccentric Collar Ball Bearings

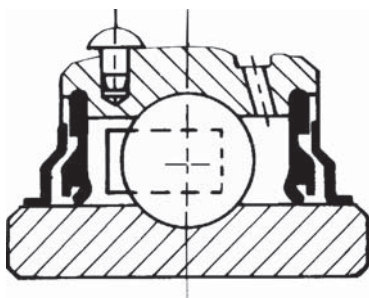
Flingers

DODGE PROGUARD™ Seal



DODGE SXR/SXV/SLX mounted ball bearings use the PROGUARD land-riding contact seal with steel shield protection. This highly effective, positive seal design assures uniform lip contact with the inner ring to seal out contaminants and seal in lubricants

DODGE PROGUARD PLUS® SEAL



On SXR bearings, optional flingers can be added to form a tight labyrinth with the PROGUARD Seal and provide additional seal protection against contaminants and debris.

Stronger Flexible Cage



The ball cage is made of heat-stabilized nylon with 33% fill short fiberglass reinforcement for added strength. The nylon material provides a natural lubricity for longer life. Fiberglass reinforcement allows higher operating temperatures than plain nylon, yet it is more resistant to fatigue than metallic cages.

Short fiberglass allows greater flexibility than steel or normal fiberglass, especially under misalignment. That means longer life in mounted bearings where some degree of misalignment is unavoidably encountered.

Anti-Rotation Pin

An anti-rotation pin prevents rotation of the outer race within the housing. Simple and effective, it makes system inserts easier to replace. There is no need to remove and replace grease fittings, location pins or other devices.



Wide Variety Of Housing Configurations

DODGE provides a wide variety of durable eccentric mounted ball bearings. Housing configurations include:

- Pillow blocks (2-bolt and tapped base)
- Flange bearings (2- and 4-bolt)
- Hanger bearings
- Cylindrical units
- Take-up bearings
- Take-up frames

In Stock Near You

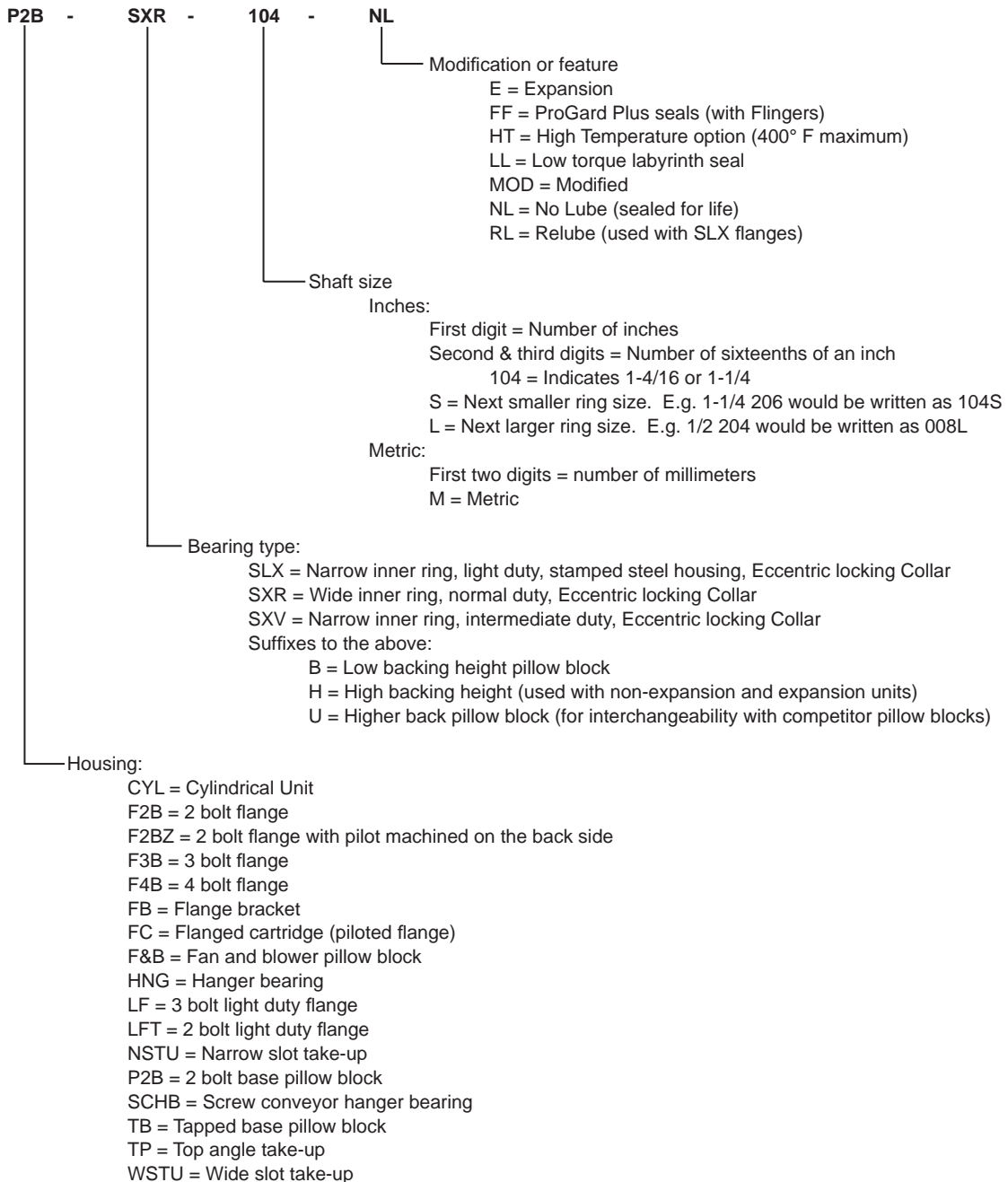
The complete line of DODGE mounted ball bearings is available at your local authorized DODGE distributor. For more information, check the yellow pages for your local distributor, call (864) 297-4800 or fax (864)-281-2318.

NOMENCLATURE



Eccentric Collar Ball Bearings

Nomenclature



SELECTION



Eccentric Collar Ball Bearings

DODGE mounted ball bearings are primarily designed for radial loading. However, they have the capacity to carry thrust loads and combined radial/thrust loads. The maximum recommended load which can be applied is limited by various components in the system, such as bearing, housing, shaft attachments, speed and life requirements. DODGE mounted ball bearings have been applied successfully when these limits have been exceeded under controlled operating conditions. Contact DODGE Engineering for applications which exceed these recommendations.

Select a bearing from the Selection Chart that has a radial load rating at the operating speed equal to or greater than the calculated Equivalent Radial Load for a desired L₁₀ life. This simple method is all that is required for the majority of general applications and provides for occasional average shock loads.

L₁₀ Hours Life-is the life which may be expected for at least 90% of a given group of bearings operating under identical conditions. For an L₁₀ hours life other than those listed in the Selection Chart, multiply the equivalent Radial load by one of the following factors. For 50,000 L₁₀ hours life, use a factor of 1.18 and for 80,000, use 1.39. Then select a bearing from the bold face (30,000) L₁₀ ratings only in the Selection Chart that has a rating equal to or greater than this value.

Heavy Service-For heavy shock loads, frequent shock loads or severe vibrations, add up to 50% (according to severity of conditions) to the Equivalent Radial Load to obtain a Modified Equivalent Radial Load. Consult Application Engineering for additional selection assistance.

A thrust load value of C/10 is recommended as a guide for general applications and will give adequate L₁₀ life. Where substantial radial load pulls the housing away from the mounting base, both the hold-down bolts and housing must be of adequate strength. Auxiliary load carrying devices, such as sheer bars, are advisable for side or end-loading of pillow blocks and radial loads for flange units.

To determine the L₁₀ hours life for loads and RPM's not listed use the following equation:

$$L_{10} = \left(\frac{C}{P} \right)^3 \times \frac{16667}{\text{RPM}}$$

Where:

L₁₀ = Life, hours

C = Dynamic Capacity, lbs. or N

P = Equivalent Radial Load, lbs. or N

When the load on a ball bearing is solely a radial load with no thrust (axial) load, the Equivalent Radial Load (P) is equal to the actual radial load. However, when a thrust (axial) load is applied, the radial and thrust loads applied must be converted into an Equivalent Radial Load. The use of the X (radial factor) and Y (thrust factor) from Table 1 convert the actual applied thrust and radial loads to an Equivalent Radial Load which has the same effect on the life of a bearing as a radial load of this magnitude.

$$P = (X \times F_R) + (Y \times F_A)$$

Where:

P = Equivalent Radial Load, lbs.

F_R = Radial load, lbs.

F_A = Thrust load, lbs.

e = Thrust load to radial load factor (Table 1)

X = Radial load factor (Table 1)

Y = Thrust factor (Table 1)

C₀ = Basic static capacity

To find X and Y, first calculate F_A/C₀ to determine e. Calculate F_A/F_R and compare to e to determine the X and Y factors to use from Table 1.

Substitute all known values into the Equivalent Radial Load equation. The Equivalent Radial loads (P) thus determined can be used in the L₁₀ life formula or compared to the allowable Equivalent Radial Load rating desired in the expanded rating chart to select a bearing (Table 2).

If calculated value of P is less than F_R, use P=F_R.

Table 1

| FA Co | e | Radial/Thrust Factors | | | |
|----------|-----|-------------------------------------|---|----------------------------|------|
| | | If FA/FR is equal to or less than e | | If FA/FR is greater than e | |
| | | FA/FR <= e | | FA/FR > e | |
| | | X | Y | X | Y |
| .014 | .19 | 1 | 0 | .56 | 2.30 |
| .021 | .21 | 1 | 0 | .56 | 2.15 |
| .028 | .22 | 1 | 0 | .56 | 1.99 |
| .042 | .24 | 1 | 0 | .56 | 1.85 |
| .056 | .26 | 1 | 0 | .56 | 1.71 |
| .070 | .27 | 1 | 0 | .56 | 1.63 |
| .084 | .28 | 1 | 0 | .56 | 1.55 |
| .110 | .30 | 1 | 0 | .56 | 1.45 |
| .170 | .34 | 1 | 0 | .56 | 1.31 |
| .280 | .38 | 1 | 0 | .56 | 1.15 |
| .420 | .42 | 1 | 0 | .56 | 1.04 |
| .560 | .44 | 1 | 0 | .56 | 1.00 |

Lubrication-DODGE Ball Bearings are lubricated at the factory and are ready to run. The bearings are initially lubricated with a lithium complex base grease and should be relubricated with the same or some equivalent. For high speeds, high loads, extreme temperatures and other abnormal operating conditions, special greases may be required. Contact DODGE Application Engineering for recommendations on these types of applications.

Misalignment-DODGE Ball Bearings are designed to allow a maximum of w2- static misalignment. These bearings are not suitable for dynamic misalignment. To ensure good alignment, mounting surfaces must be checked for flatness and must lie in the same plane. When tightening base bolts, each bolt should be alternately tightened in incremental torque values until full torque is achieved to prevent the angular shifting of the pillow block that occurs when one bolt is tightened to its full torque. Shimming may be required to minimize misalignment.

| Normal Shaft Size Inches | Shaft Tolerances | | Recommended Shaft Tolerances | |
|-----------------------------|--|--------|--|---------|
| | Commercial Shaft Tolerances Inches | | Eccentric Lock Ball Bearings Inches | |
| Up to 1-1/2 | +0.000 | -0.002 | +0.0000 | -0.0005 |
| Over 1-1/2 to 2-1/2 | +0.000 | -0.003 | +0.0000 | -0.0010 |
| Over 2-1/2 to 4 | +0.000 | -0.004 | +0.0000 | -0.0010 |

SELECTION

DODGE®



Eccentric Collar Ball Bearings - Inch

Table 2: Easy Selection Table For Ball Bearing Mounted Units

| RING SIZE | SHAFT SIZE SXR, SXV, SLX | DYNAMIC CAPACITY (lbs) | STATIC CAPACITY Co (lbs) | L ₁₀ LIFE, HOURS | ALLOWABLE EQUIVALENT RADIAL LOAD RATING (LBS.) AT VARIOUS RPM* | | | | | | | |
|-----------|------------------------------------|---------------------------|-----------------------------|-----------------------------------|--|------|------|------|------|------|------|------|
| | | | | | 50 | 150 | 250 | 500 | 750 | 1000 | 1500 | 1750 |
| 203 | 1/2 5/8 | 2,158 | 1,000 | 20,000 | 550 | 380 | 320 | 255 | 225 | 205 | 175 | 170 |
| | | | | 30,000 | 480 | 335 | 280 | 225 | 195 | 175 | 155 | 145 |
| | | | | 40,000 | 440 | 305 | 255 | 205 | 175 | 160 | 140 | 135 |
| | | | | 60,000 | 380 | 265 | 225 | 175 | 155 | 140 | 125 | 115 |
| | | | | 100,000 | 320 | 225 | 190 | 150 | 130 | 120 | 105 | 100 |
| 204 | 3/4 | 2,899 | 1,390 | 20,000 | 740 | 515 | 435 | 345 | 300 | 275 | 240 | 225 |
| | | | | 30,000 | 645 | 450 | 380 | 300 | 260 | 240 | 210 | 200 |
| | | | | 40,000 | 590 | 410 | 345 | 275 | 240 | 215 | 190 | 180 |
| | | | | 60,000 | 515 | 355 | 300 | 240 | 210 | 190 | 165 | 155 |
| | | | | 100,000 | 435 | 300 | 255 | 200 | 175 | 160 | 140 | 130 |
| 205 | 7/8 15/16 1 | 3,146 | 1,565 | 20,000 | 805 | 560 | 470 | 375 | 325 | 295 | 260 | 245 |
| | | | | 30,000 | 705 | 485 | 410 | 325 | 285 | 260 | 225 | 215 |
| | | | | 40,000 | 640 | 445 | 375 | 295 | 260 | 235 | 205 | 195 |
| | | | | 60,000 | 560 | 385 | 325 | 260 | 225 | 205 | 180 | 170 |
| | | | | 100,000 | 470 | 325 | 275 | 220 | 190 | 175 | 150 | 145 |
| 206 | 1-1/16 1-1/8 1-3/16 1-1/4 | 4,368 | 2,250 | 20,000 | 1115 | 775 | 655 | 520 | 455 | 410 | 360 | 340 |
| | | | | 30,000 | 975 | 675 | 570 | 455 | 395 | 360 | 315 | 300 |
| | | | | 40,000 | 885 | 615 | 520 | 410 | 360 | 325 | 285 | 270 |
| | | | | 60,000 | 775 | 535 | 455 | 360 | 315 | 285 | 250 | 235 |
| | | | | 100,000 | 655 | 455 | 380 | 305 | 265 | 240 | 210 | 200 |
| 207 | 1-1/4 1-5/16 1-3/8 1-7/16 | 5,759 | 3,065 | 20,000 | 1475 | 1020 | 860 | 685 | 595 | 545 | 475 | 450 |
| | | | | 30,000 | 1285 | 890 | 755 | 595 | 520 | 475 | 415 | 395 |
| | | | | 40,000 | 1170 | 810 | 685 | 545 | 475 | 430 | 375 | 355 |
| | | | | 60,000 | 1020 | 710 | 595 | 475 | 415 | 375 | 330 | 310 |
| | | | | 100,000 | 860 | 595 | 505 | 400 | 350 | 315 | 275 | 265 |
| 208 | 1-1/2 | 7,332 | 4,005 | 20,000 | 1875 | 1300 | 1095 | 870 | 760 | 690 | 605 | 575 |
| | | | | 30,000 | 1640 | 1135 | 960 | 760 | 665 | 605 | 525 | 500 |
| | | | | 40,000 | 1490 | 1030 | 870 | 690 | 605 | 550 | 480 | 455 |
| | | | | 60,000 | 1300 | 900 | 760 | 605 | 525 | 480 | 420 | 400 |
| | | | | 100,000 | 1095 | 760 | 640 | 510 | 445 | 405 | 355 | 335 |
| 209 | 1-5/8 1-11/16 1-3/4 | 7,891 | 4,450 | 20,000 | 2020 | 1400 | 1180 | 935 | 820 | 745 | 650 | 615 |
| | | | | 30,000 | 1765 | 1225 | 1030 | 820 | 715 | 650 | 570 | 540 |
| | | | | 40,000 | 1600 | 1110 | 935 | 745 | 650 | 590 | 515 | 490 |
| | | | | 60,000 | 1400 | 970 | 820 | 650 | 570 | 515 | 450 | 430 |
| | | | | 100,000 | 1180 | 820 | 690 | 550 | 480 | 435 | 380 | 360 |
| 210 | 1-15/16 2 | 7,891 | 4,450 | 20,000 | 2020 | 1400 | 1180 | 935 | 820 | 745 | 650 | 615 |
| | | | | 30,000 | 1765 | 1225 | 1030 | 820 | 715 | 650 | 570 | 540 |
| | | | | 40,000 | 1600 | 1110 | 935 | 745 | 650 | 590 | 515 | 490 |
| | | | | 60,000 | 1400 | 970 | 820 | 650 | 570 | 515 | 450 | 430 |
| | | | | 100,000 | 1180 | 820 | 690 | 550 | 480 | 435 | 380 | 360 |
| 211 | 2-3/16 | 9,755 | 5,630 | 20,000 | 2491 | 1727 | 1457 | 1156 | 1010 | 918 | 802 | 761 |
| | | | | 30,000 | 2176 | 1509 | 1272 | 1010 | 882 | 802 | 700 | 665 |
| | | | | 40,000 | 1977 | 1371 | 1156 | 918 | 802 | 728 | 636 | 604 |
| | | | | 60,000 | 1727 | 1197 | 1010 | 802 | 700 | 636 | 556 | 528 |
| | | | | 100,000 | 1457 | 1010 | 852 | 676 | 591 | 537 | 469 | 445 |
| 212 | 2-1/4 2-7/16 | 11,791 | 6,955 | 20,000 | 3015 | 2090 | 1765 | 1400 | 1225 | 1110 | 970 | 925 |
| | | | | 30,000 | 2635 | 1825 | 1540 | 1225 | 1070 | 970 | 880 | 805 |
| | | | | 40,000 | 2395 | 1660 | 1400 | 1110 | 970 | 880 | 770 | 730 |
| | | | | 60,000 | 2090 | 1450 | 1225 | 970 | 850 | 770 | 675 | 640 |
| | | | | 100,000 | 1765 | 1225 | 1030 | 820 | 715 | 650 | 570 | 540 |
| 215 | 2-15/16 | 14,872 | 9,255 | 20,000 | 3805 | 2640 | 225 | 1765 | 1545 | 1400 | 1225 | 1165 |
| | | | | 30,000 | 3325 | 2305 | 1945 | 1545 | 1350 | 1225 | 1070 | 1015 |
| | | | | 40,000 | 3020 | 2095 | 1765 | 1400 | 1225 | 1115 | 975 | 925 |
| | | | | 60,000 | 2640 | 1830 | 1545 | 1225 | 1070 | 975 | 850 | 805 |
| | | | | 100,000 | 2225 | 1545 | 1300 | 1035 | 905 | 820 | 715 | 680 |

* Slight interference fit required when operating in the shaded area

SELECTION



Eccentric Collar Ball Bearings - Metric
Table 2 (Continued): Easy Selection Table for Ball Bearing Mounted Units

| RING SIZE | SHAFT SIZE SXR, SXV, SLX | DYNAMIC CAPACITY C (lbs) | STATIC CAPACITY Co (lbs) | L ₁₀ LIFE, HOURS | ALLOWABLE EQUIVALENT RADIAL LOAD RATING (LBS.) AT VARIOUS RPM* | | | | | | | | | |
|-----------|------------------------------------|-----------------------------|-----------------------------|-----------------------------------|--|------|------|------|------|------|------|------|------|------|
| | | | | | 2000 | 2500 | 3000 | 3500 | 4000 | 4500 | 5000 | 5500 | 6500 | 7500 |
| 203 | 1/2 5/8 | 2,158 | 1,000 | 20,000 | 160 | 150 | 140 | 135 | 130 | 125 | 120 | 115 | 110 | 105 |
| | | | | 30,000 | 140 | 130 | 125 | 115 | 110 | 105 | 105 | 100 | 95 | 90 |
| | | | | 40,000 | 130 | 120 | 110 | 105 | 100 | 95 | 95 | 90 | 85 | 80 |
| | | | | 60,000 | 110 | 105 | 95 | 95 | 90 | 85 | 80 | 80 | 75 | 70 |
| | | | | 100,000 | 95 | 85 | 80 | 80 | 75 | 70 | 70 | 65 | 65 | 60 |
| 204 | 3/4 | 2,899 | 1,390 | 20,000 | 215 | 200 | 190 | 180 | 170 | 165 | 160 | 155 | 145 | 140 |
| | | | | 30,000 | 190 | 175 | 165 | 155 | 150 | 145 | 140 | 135 | 130 | 120 |
| | | | | 40,000 | 170 | 160 | 150 | 145 | 135 | 130 | 125 | 125 | 115 | 110 |
| | | | | 60,000 | 150 | 140 | 130 | 125 | 120 | 115 | 110 | 105 | 100 | 95 |
| | | | | 100,000 | 125 | 115 | 110 | 105 | 100 | 90 | 95 | 90 | 85 | 80 |
| 205 | 7/8 15/16 1 | 3,146 | 1,565 | 20,000 | 235 | 220 | 205 | 195 | 185 | 180 | 175 | 170 | 160 | 150 |
| | | | | 30,000 | 205 | 190 | 180 | 170 | 165 | 155 | 150 | 145 | 140 | 130 |
| | | | | 40,000 | 185 | 175 | 165 | 155 | 150 | 140 | 135 | 135 | 125 | 120 |
| | | | | 60,000 | 165 | 150 | 140 | 135 | 130 | 125 | 120 | 115 | 110 | 105 |
| | | | | 100,000 | 135 | 125 | 120 | 115 | 110 | 105 | 100 | 100 | 95 | 90 |
| 206 | 1-1/16 1-1/8 1-3/16 1-1/4 | 4,368 | 2,250 | 20,000 | 325 | 305 | 285 | 270 | 260 | 250 | 240 | 235 | 220 | |
| | | | | 30,000 | 285 | 265 | 250 | 235 | 225 | 220 | 210 | 205 | 195 | |
| | | | | 40,000 | 260 | 240 | 225 | 215 | 205 | 200 | 190 | 185 | 175 | |
| | | | | 60,000 | 225 | 210 | 200 | 190 | 180 | 175 | 165 | 160 | 155 | |
| | | | | 100,000 | 190 | 175 | 165 | 160 | 150 | 145 | 140 | 135 | 130 | |
| 207 | 1-1/4 1-5/16 1-3/8 1-7/16 | 5,759 | 3,065 | 20,000 | 430 | 400 | 375 | 355 | 340 | 330 | 315 | 305 | | |
| | | | | 30,000 | 375 | 350 | 330 | 310 | 300 | 285 | 275 | 270 | | |
| | | | | 40,000 | 340 | 315 | 300 | 285 | 275 | 260 | 250 | 245 | | |
| | | | | 60,000 | 300 | 275 | 260 | 250 | 235 | 230 | 220 | 215 | | |
| | | | | 100,000 | 250 | 235 | 220 | 210 | 200 | 190 | 185 | 180 | | |
| 208 | 1-1/2 | 7,332 | 4,005 | 20,000 | 550 | 510 | 480 | 455 | 435 | 420 | 405 | | | |
| | | | | 30,000 | 480 | 445 | 420 | 400 | 380 | 365 | 355 | | | |
| | | | | 40,000 | 435 | 405 | 380 | 360 | 345 | 330 | 320 | | | |
| | | | | 60,000 | 380 | 355 | 330 | 315 | 300 | 290 | 280 | | | |
| | | | | 100,000 | 320 | 300 | 280 | 265 | 255 | 245 | 235 | | | |
| 209 | 1-5/8 1-11/16 1-3/4 | 7,891 | 4,450 | 20,000 | 590 | 550 | 515 | 490 | 470 | 450 | 435 | | | |
| | | | | 30,000 | 515 | 480 | 450 | 430 | 410 | 395 | 380 | | | |
| | | | | 40,000 | 470 | 435 | 410 | 390 | 370 | 360 | 345 | | | |
| | | | | 60,000 | 410 | 380 | 360 | 340 | 325 | 310 | 300 | | | |
| | | | | 100,000 | 345 | 320 | 300 | 285 | 275 | 265 | 255 | | | |
| 210 | 1-15/16 2 | 7,891 | 4,450 | 20,000 | 590 | 550 | 515 | 490 | 470 | 450 | | | | |
| | | | | 30,000 | 515 | 480 | 450 | 430 | 410 | 395 | | | | |
| | | | | 40,000 | 470 | 435 | 410 | 390 | 370 | 360 | | | | |
| | | | | 60,000 | 410 | 380 | 360 | 340 | 325 | 310 | | | | |
| | | | | 100,000 | 345 | 320 | 300 | 285 | 275 | 265 | | | | |
| 211 | 2-3/16 | 9,755 | 5,630 | 20,000 | 729 | 676 | 636 | 604 | 578 | | | | | |
| | | | | 30,000 | 636 | 591 | 556 | 528 | 505 | | | | | |
| | | | | 40,000 | 578 | 537 | 505 | 480 | 459 | | | | | |
| | | | | 60,000 | 505 | 469 | 441 | 419 | 401 | | | | | |
| | | | | 100,000 | 426 | 395 | 372 | 353 | 338 | | | | | |
| 212 | 2-1/4 2-7/16 | 11,791 | 6,955 | 20,000 | 880 | 820 | 770 | 730 | | | | | | |
| | | | | 30,000 | 770 | 715 | 675 | 640 | | | | | | |
| | | | | 40,000 | 700 | 650 | 610 | 580 | | | | | | |
| | | | | 60,000 | 610 | 570 | 535 | 510 | | | | | | |
| | | | | 100,000 | 515 | 480 | 450 | 430 | | | | | | |
| 215 | 2-15/16 | 14,872 | 9,255 | 20,000 | 1115 | 1035 | 975 | | | | | | | |
| | | | | 30,000 | 975 | 905 | 850 | | | | | | | |
| | | | | 40,000 | 885 | 820 | 770 | | | | | | | |
| | | | | 60,000 | 770 | 715 | 675 | | | | | | | |
| | | | | 100,000 | 650 | 605 | 570 | | | | | | | |

* Slight interference fit required when operating to the right of the heavy line

Bearing Quick Reference

E-Z KLEEN

GRIP TIGHT Adapter Ball Bearing

Set Screw Ball Bearing

Eccentric Collar Ball Bearing

SELECTION



Eccentric Collar Ball Bearings - Metric

Table 2 (Continued): Easy Selection Table for Ball Bearing Mounted Units

| RING SIZE | SHAFT SIZE SXR, SXV, SLX | DYNAMIC CAPACITY C (N) | STATIC CAPACITY Co (N) | L10 LIFE, HOURS | ALLOWABLE EQUIVALENT RADIAL LOAD RATING (N) AT VARIOUS RPM* | | | | | | | |
|-----------|--------------------------------|---------------------------|---------------------------|--------------------|---|-------|------|------|------|------|------|------|
| | | | | | 50 | 150 | 250 | 500 | 750 | 1000 | 1500 | 1750 |
| 203 | 17mm | 9,600 | 4,450 | 20,000 | 2446 | 1690 | 1423 | 1134 | 1001 | 912 | 778 | 758 |
| | | | | 30,000 | 2135 | 1490 | 1245 | 1001 | 867 | 778 | 689 | 645 |
| | | | | 40,000 | 1957 | 1357 | 1134 | 912 | 778 | 712 | 623 | 600 |
| | | | | 60,000 | 1690 | 1179 | 1001 | 778 | 689 | 623 | 556 | 512 |
| | | | | 100,000 | 1423 | 1001 | 845 | 667 | 578 | 534 | 467 | 445 |
| 204 | 20mm | 12,895 | 6,185 | 20,000 | 3292 | 2291 | 1835 | 1535 | 1334 | 1223 | 1068 | 1001 |
| | | | | 30,000 | 2869 | 2002 | 1690 | 1334 | 1156 | 1068 | 934 | 890 |
| | | | | 40,000 | 2624 | 1824 | 1535 | 1223 | 1068 | 956 | 845 | 801 |
| | | | | 60,000 | 2291 | 1579 | 1334 | 1068 | 934 | 845 | 734 | 689 |
| | | | | 100,000 | 1935 | 1334 | 1134 | 890 | 778 | 712 | 623 | 578 |
| 205 | 25mm | 13,995 | 6,964 | 20,000 | 3581 | 2491 | 2091 | 1668 | 1446 | 1312 | 1156 | 1090 |
| | | | | 30,000 | 3136 | 2157 | 1824 | 1446 | 1268 | 1156 | 1001 | 956 |
| | | | | 40,000 | 2847 | 1979 | 1668 | 1312 | 1156 | 1045 | 912 | 867 |
| | | | | 60,000 | 2491 | 1712 | 1446 | 1156 | 1001 | 912 | 801 | 756 |
| | | | | 100,000 | 2091 | 1446 | 1223 | 979 | 845 | 778 | 667 | 645 |
| 206 | 30mm | 19,438 | 10,013 | 20,000 | 4960 | 3447 | 2913 | 1313 | 2024 | 1824 | 1601 | 1512 |
| | | | | 30,000 | 4337 | 3002 | 2535 | 2024 | 1757 | 1601 | 1401 | 1334 |
| | | | | 40,000 | 3936 | 2736 | 2313 | 1824 | 1601 | 1446 | 1268 | 1201 |
| | | | | 60,000 | 3447 | 2380 | 2024 | 1601 | 1401 | 1268 | 1112 | 1045 |
| | | | | 100,000 | 2913 | 2024 | 1690 | 1357 | 1179 | 1068 | 934 | 890 |
| 207 | 35mm | 25,628 | 13,639 | 20,000 | 6561 | 4537 | 3825 | 3047 | 2647 | 2424 | 2113 | 2002 |
| | | | | 30,000 | 5716 | 3959 | 3358 | 2647 | 2313 | 2113 | 1846 | 1757 |
| | | | | 40,000 | 5204 | 3603 | 3047 | 2424 | 2113 | 1913 | 1668 | 1579 |
| | | | | 60,000 | 4537 | 3158 | 2647 | 2113 | 1846 | 1668 | 1468 | 1379 |
| | | | | 100,000 | 3825 | 2647 | 2246 | 1779 | 1557 | 1401 | 1223 | 1179 |
| 208 | 40mm | 32,627 | 17,822 | 20,000 | 8340 | 5782 | 4871 | 3870 | 3380 | 3069 | 2691 | 2558 |
| | | | | 30,000 | 7295 | 5048 | 4270 | 3380 | 2958 | 2691 | 2335 | 2224 |
| | | | | 40,000 | 6628 | 4581 | 3870 | 3069 | 2691 | 2446 | 2135 | 2024 |
| | | | | 60,000 | 5782 | 4003 | 3380 | 2691 | 2335 | 2135 | 1868 | 1779 |
| | | | | 100,000 | 4871 | 3380 | 2847 | 2268 | 1979 | 1801 | 1579 | 1490 |
| 209 | 45mm | 35,115 | 19,803 | 20,000 | 8985 | 6227 | 5249 | 4159 | 3647 | 3314 | 2891 | 2736 |
| | | | | 30,000 | 7851 | 5449 | 4581 | 3647 | 3180 | 2891 | 2535 | 2402 |
| | | | | 40,000 | 7117 | 4937 | 4159 | 3314 | 2891 | 2624 | 2291 | 2180 |
| | | | | 60,000 | 6227 | 4315 | 3647 | 2891 | 2535 | 2291 | 2002 | 1913 |
| | | | | 100,000 | 5249 | 3647 | 3069 | 2446 | 2135 | 1935 | 1690 | 1601 |
| 210 | 50mm | 35,115 | 19,803 | 20,000 | 8985 | 6227 | 5249 | 4159 | 3647 | 3314 | 2891 | 2736 |
| | | | | 30,000 | 7851 | 5449 | 4581 | 3647 | 3180 | 2891 | 2535 | 2402 |
| | | | | 40,000 | 7177 | 4937 | 4159 | 3314 | 2891 | 2624 | 2291 | 2180 |
| | | | | 60,000 | 6227 | 4315 | 3647 | 2891 | 2535 | 2291 | 2002 | 1913 |
| | | | | 100,000 | 5249 | 3647 | 3069 | 2446 | 2135 | 1935 | 1690 | 1601 |
| 211 | 55mm | 43,394 | 25,054 | 20,000 | 11079 | 7682 | 6479 | 5142 | 4492 | 4082 | 3566 | 3387 |
| | | | | 30,000 | 9678 | 6711 | 5660 | 4492 | 3924 | 3566 | 3115 | 2959 |
| | | | | 40,000 | 8793 | 6097 | 5142 | 4082 | 3566 | 3240 | 2830 | 2688 |
| | | | | 60,000 | 7682 | 5326 | 4492 | 3566 | 3115 | 2830 | 2472 | 2348 |
| | | | | 100,000 | 6479 | 4492 | 3789 | 3007 | 2627 | 2387 | 2085 | 1981 |
| 212 | 60mm | 52,470 | 30,950 | 20,000 | 13411 | 9296 | 7851 | 6227 | 5449 | 4937 | 4315 | 4114 |
| | | | | 30,000 | 11720 | 8118 | 6850 | 5449 | 4759 | 4315 | 3914 | 3481 |
| | | | | 40,000 | 10653 | 7384 | 6227 | 4937 | 4315 | 3914 | 3425 | 3247 |
| | | | | 60,000 | 9296 | 6450 | 5449 | 4315 | 3781 | 3425 | 3002 | 2847 |
| | | | | 100,000 | 7851 | 5449 | 4581 | 3647 | 3180 | 2891 | 2535 | 2402 |
| 215 | 75mm | 66,180 | 41,185 | 20,000 | 16925 | 11743 | 9897 | 7851 | 6872 | 6227 | 5449 | 5182 |
| | | | | 30,000 | 14790 | 10253 | 8651 | 6872 | 6005 | 5449 | 4759 | 4515 |
| | | | | 40,000 | 13433 | 9319 | 7851 | 6227 | 5449 | 4960 | 4337 | 4114 |
| | | | | 60,000 | 11743 | 8140 | 6872 | 5449 | 4759 | 4337 | 3781 | 3581 |
| | | | | 100,000 | 9897 | 6872 | 5782 | 4604 | 4025 | 3647 | 3180 | 3025 |

* Slight interference fit required when operating in the shaded area



Eccentric Collar Ball Bearings - Metric

Table 2 (Continued): Easy Selection Table for Ball Bearing Mounted Units

| RING SIZE | SHAFT SIZE SXR, SXV, SLX | DYNAMIC CAPACITY C (N) | STATIC CAPACITY Co (N) | L ₁₀ LIFE, HOURS | ALLOWABLE EQUIVALENT RADIAL LOAD RATING (N) AT VARIOUS RPM* | | | | | | | | | |
|-----------|--------------------------------|---------------------------|---------------------------|-----------------------------------|---|------|------|------|------|------|------|------|------|------|
| | | | | | 2000 | 2500 | 3000 | 3500 | 4000 | 4500 | 5000 | 5500 | 6500 | 7500 |
| 203 | 17mm | 9,600 | 4,450 | 20,000 | 0712 | 667 | 623 | 600 | 578 | 556 | 534 | 512 | 489 | 457 |
| | | | | 30,000 | 623 | 578 | 556 | 512 | 489 | 467 | 467 | 445 | 423 | 400 |
| | | | | 40,000 | 578 | 534 | 489 | 467 | 445 | 423 | 423 | 400 | 378 | 358 |
| | | | | 60,000 | 489 | 467 | 423 | 423 | 400 | 378 | 356 | 356 | 334 | 311 |
| | | | | 100,000 | 423 | 378 | 356 | 356 | 334 | 311 | 311 | 289 | 289 | 267 |
| 204 | 20mm | 12,895 | 6,185 | 20,000 | 956 | 890 | 845 | 801 | 756 | 734 | 712 | 689 | 645 | 623 |
| | | | | 30,000 | 845 | 778 | 734 | 689 | 667 | 645 | 623 | 600 | 578 | 534 |
| | | | | 40,000 | 756 | 712 | 667 | 645 | 600 | 578 | 556 | 556 | 512 | 489 |
| | | | | 60,000 | 667 | 623 | 578 | 556 | 534 | 512 | 489 | 457 | 445 | 423 |
| | | | | 100,000 | 556 | 512 | 489 | 467 | 445 | 400 | 423 | 400 | 378 | 356 |
| 205 | 25mm | 13,995 | 6,964 | 20,000 | 1045 | 979 | 912 | 867 | 823 | 801 | 778 | 756 | 712 | 667 |
| | | | | 30,000 | 912 | 845 | 801 | 756 | 734 | 689 | 667 | 645 | 623 | 578 |
| | | | | 40,000 | 823 | 778 | 734 | 689 | 667 | 623 | 600 | 600 | 556 | 534 |
| | | | | 60,000 | 734 | 667 | 623 | 600 | 578 | 556 | 534 | 512 | 489 | 467 |
| | | | | 100,000 | 600 | 556 | 534 | 512 | 489 | 467 | 445 | 445 | 423 | 400 |
| 206 | 30mm | 19,438 | 10,013 | 20,000 | 1446 | 1357 | 1268 | 1201 | 1156 | 1112 | 1068 | 1045 | 979 | |
| | | | | 30,000 | 1268 | 1179 | 1112 | 1045 | 1001 | 979 | 934 | 912 | 867 | |
| | | | | 40,000 | 1156 | 1068 | 1001 | 956 | 912 | 890 | 845 | 823 | 778 | |
| | | | | 60,000 | 1001 | 934 | 890 | 845 | 801 | 778 | 734 | 712 | 689 | |
| | | | | 100,000 | 845 | 778 | 734 | 712 | 667 | 645 | 623 | 600 | 578 | |
| 207 | 35mm | 25,628 | 13,639 | 20,000 | 1913 | 1779 | 1668 | 1579 | 1512 | 1468 | 1401 | 1357 | | |
| | | | | 3,000 | 1668 | 1557 | 1468 | 1379 | 1334 | 1268 | 1223 | 1201 | | |
| | | | | 40,000 | 1512 | 1401 | 1334 | 1268 | 1201 | 1156 | 1112 | 1090 | | |
| | | | | 60,000 | 1334 | 1223 | 1156 | 1112 | 1045 | 1023 | 979 | 956 | | |
| | | | | 100,000 | 1112 | 1045 | 979 | 934 | 890 | 845 | 823 | 801 | | |
| 208 | 40mm | 32,627 | 17,822 | 20,000 | 2446 | 2268 | 2135 | 2024 | 1935 | 1868 | 1801 | | | |
| | | | | 30,000 | 2135 | 1979 | 1868 | 1779 | 1680 | 1624 | 1579 | | | |
| | | | | 40,000 | 1935 | 1801 | 1690 | 1601 | 1535 | 1468 | 1423 | | | |
| | | | | 60,000 | 1690 | 1579 | 1468 | 1401 | 1334 | 1290 | 1245 | | | |
| | | | | 100,000 | 1423 | 1334 | 1245 | 1179 | 1134 | 1090 | 1045 | | | |
| 209 | 45mm | 35,115 | 19,803 | 20,000 | 2624 | 2446 | 2291 | 2180 | 2091 | 2002 | 1935 | | | |
| | | | | 30,000 | 2291 | 2135 | 2002 | 1913 | 1824 | 1757 | 1690 | | | |
| | | | | 40,000 | 2091 | 1935 | 1824 | 1735 | 1646 | 1601 | 1535 | | | |
| | | | | 60,000 | 1824 | 1690 | 1601 | 1512 | 1446 | 1379 | 1334 | | | |
| | | | | 100,000 | 1535 | 1423 | 1334 | 1268 | 1223 | 1179 | 1134 | | | |
| 210 | 50mm | 35,115 | 19,803 | 20,000 | 2624 | 2446 | 2291 | 2180 | 2091 | 2002 | | | | |
| | | | | 30,000 | 2291 | 2135 | 2002 | 1913 | 1824 | 1757 | | | | |
| | | | | 40,000 | 2091 | 1935 | 1824 | 1735 | 1646 | 1601 | | | | |
| | | | | 60,000 | 1824 | 1690 | 1601 | 1512 | 1446 | 1379 | | | | |
| | | | | 100,000 | 1535 | 1423 | 1334 | 1268 | 1223 | 1179 | | | | |
| 211 | 55mm | 43,394 | 25,054 | 20,000 | 3241 | 3007 | 2830 | 2688 | 2571 | | | | | |
| | | | | 30,000 | 2831 | 2627 | 2472 | 2348 | 2246 | | | | | |
| | | | | 40,000 | 2572 | 2387 | 2246 | 2134 | 2041 | | | | | |
| | | | | 60,000 | 2247 | 2085 | 1962 | 1864 | 1783 | | | | | |
| | | | | 100,000 | 1895 | 1759 | 1655 | 1572 | 1504 | | | | | |
| 212 | 60mm | 52,470 | 30,950 | 20,000 | 3914 | 3647 | 3425 | 3247 | | | | | | |
| | | | | 30,000 | 3425 | 3180 | 3002 | 2847 | | | | | | |
| | | | | 40,000 | 3114 | 2891 | 2713 | 2580 | | | | | | |
| | | | | 60,000 | 2713 | 2535 | 2380 | 2268 | | | | | | |
| | | | | 100,000 | 2291 | 2135 | 2002 | 1913 | | | | | | |
| 215 | 75mm | 66,180 | 41,185 | 20,000 | 4960 | 4604 | 4337 | | | | | | | |
| | | | | 30,000 | 4337 | 4025 | 3781 | | | | | | | |
| | | | | 40,000 | 3936 | 3647 | 3425 | | | | | | | |
| | | | | 60,000 | 3425 | 3180 | 3002 | | | | | | | |
| | | | | 100,000 | 2891 | 2691 | 2535 | | | | | | | |

* Slight interference fit required when operating to the right of the heavy line

Bearing Quick Reference

E-Z KLEEN

GRIP TIGHT Adapter Ball Bearing

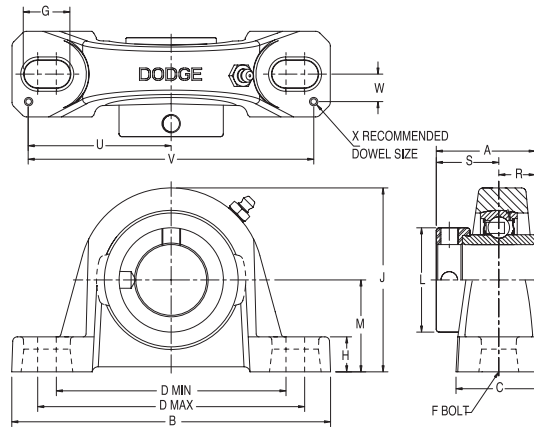
Set Screw Ball Bearing

Eccentric Collar Ball Bearing

SELECTION/DIMENSIONS



Eccentric Collar Ball Bearings SXR AND SXRU NORMAL DUTY PILLOW BLOCKS



| Series | Shaft Size | Standard | | Sealed for Life | |
|------------|------------|---------------|---------------|-----------------|------------------|
| | | Part No. | Description | Part No. | Description |
| 203 | 1/2 | 131800 | P2B-SXR-008 | @ | P2B-SXR-008-NL |
| | 5/8 | 131801 | P2B-SXR-010 | @ | P2B-SXR-010-NL |
| | 17mm | @ | P2B-SXR-17M | @ | P2B-SXR-17M-NL |
| 203 (SXRU) | 1/2 | 131341 | P2B-SXRU-008 | @ | P2B-SXRU-008-NL |
| | 5/8 | 131342 | P2B-SXRU-010 | @ | P2B-SXRU-010-NL |
| | 17mm | 125655 | P2B-SXRU-17M | @ | P2B-SXRU-17M-NL |
| 204 | 3/4 | 131802 | P2B-SXR-012 | @ | P2B-SXR-012-NL |
| | 20mm | 125656 | P2B-SXR-20M | @ | P2B-SXR-20M-NL |
| 205 | 7/8 | 131803 | P2B-SXR-014 | @ | P2B-SXR-014-NL |
| | 15/16 | 131804 | P2B-SXR-015 | @ | P2B-SXR-015-NL |
| | 1 | 131805 | P2B-SXR-100 | @ | P2B-SXR-100-NL |
| | 25mm | 125657 | P2B-SXR-25M | @ | P2B-SXR-25M-NL |
| 206 | 1-1/16 | 131806 | P2B-SXR-101 | @ | P2B-SXR-101-NL |
| | 1-1/8 | 131807 | P2B-SXR-102 | @ | P2B-SXR-102-NL |
| | 1-3/16 | 131808 | P2B-SXR-103 | @ | P2B-SXR-103-NL |
| | 1-1/4 | 064230 | P2B-SXR-104S | @ | P2B-SXR-104S-NL |
| | 30mm | @ | P2B-SXR-30M | @ | P2B-SXR-30M-NL |
| 206 (SXRU) | 1-1/16 | 131895 | P2B-SXRU-101 | @ | P2B-SXRU-101-NL |
| | 1-1/8 | 131896 | P2B-SXRU-102 | @ | P2B-SXRU-102-NL |
| | 1-3/16 | 131897 | P2B-SXRU-103 | 064882 | P2B-SXRU-103-NL |
| | 1-1/4 | @ | P2B-SXRU-104S | @ | P2B-SXRU-104S-NL |
| | 30mm | 125658 | P2B-SXRU-30M | @ | P2B-SXRU-30M-NL |
| 207 | 1-1/4 | 131809 | P2B-SXR-104 | 054950 | P2B-SXR-104-NL |
| | 1-5/16 | 131810 | P2B-SXR-105 | @ | P2B-SXR-105-NL |
| | 1-3/8 | 131811 | P2B-SXR-106 | 065616 | P2B-SXR-106-NL |
| | 1-7/16 | 131812 | P2B-SXR-107 | 059667 | P2B-SXR-107-NL |
| | 35mm | 125659 | P2B-SXR-35M | @ | P2B-SXR-35M-NL |

@ Assembled to order

| | | | |
|--------------------------------|---------------------------|------------------------|--------------------------------|
| FEATURES/BENEFITS PAGE B4-2 | NOMENCLATURE PAGE B4-4 | SELECTION PAGE B4-5 | RELATED PRODUCTS PAGE B4-85 |
|--------------------------------|---------------------------|------------------------|--------------------------------|

SELECTION/DIMENSIONS



Eccentric Collar Ball Bearings SXR AND SXRU NORMAL DUTY PILLOW BLOCK

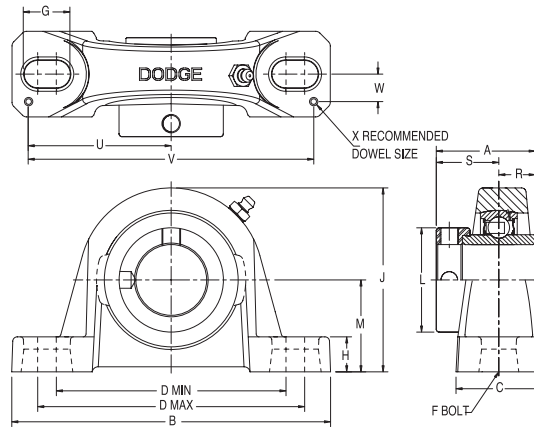
| Series | Shaft Size | Weight lbs kg | A | B | C | D | | F Bolt Dia. | G | H | J | L | M | R | S | U | V | W | X |
|------------|------------|------------------|---------|-------|---------|---------|--------|-------------|-------|-------|---------|--------|---------|-------|--------|---------|---------|------|------|
| | | | | | | min. | max. | | | | | | | | | | | | |
| 203 | 1/2 | 1.2 | 1-15/32 | 5 | 1-13/64 | 3-1/4 | 4-1/16 | 3/8 | 27/32 | 15/32 | 2-9/64 | 1-1/8 | 1-1/16 | 35/64 | 59/64 | 2-1/4 | 4-1/2 | 3/8 | 1/8 |
| | 5/8 | 1.0 | | | | | | | | | | | | | | | | | |
| | 17mm | 0.5 | 37.3 | 127.0 | 30.6 | 82.6 | 103.2 | M10 | 21.4 | 11.9 | 54.4 | 28.6 | 27.0 | 13.9 | 23.4 | 5.72 | 114.3 | 9.5 | 3.2 |
| 203 (SXRU) | 1/2 | 1.2 | 1-15/32 | 5 | 1-13/64 | 3-1/4 | 4-1/16 | 3/8 | 27/32 | 19/32 | 2-17/64 | 1-1/8 | 1-3/16 | 35/64 | 59/64 | 2-1/4 | 4-1/2 | 3/8 | 1/8 |
| | 5/8 | | | | | | | | | | | | | | | | | | |
| | 17mm | 0.5 | 37.3 | 127.0 | 30.6 | 82.6 | 103.2 | M10 | 21.4 | 15.1 | 57.5 | 28.6 | 30.2 | 13.9 | 23.4 | 5.72 | 114.3 | 9.5 | 3.2 |
| 204 | 3/4 | 1.6 | 1-23/32 | 5-1/4 | 1-21/64 | 3-3/8 | 4-3/16 | 3/8 | 27/32 | 33/64 | 2-1/16 | 1-5/16 | 1-5/16 | 43/64 | 1-3/64 | 2-1/4 | 4-1/2 | 1/2 | 1/8 |
| | 20mm | 0.4 | 43.7 | 133.4 | 33.7 | 85.7 | 106.4 | M10 | 21.4 | 13.1 | 65.1 | 33.3 | 33.3 | 17.1 | 26.6 | 57.2 | 114.3 | 12.7 | 3.2 |
| | | | | | | | | | | | | | | | | | | | |
| 205 | 7/8 | 1.9 | 1-3/4 | 5-1/2 | 1-13/32 | 3-11/16 | 4-1/2 | 3/8 | 27/32 | 37/64 | 2-25/32 | 1-5/16 | 1-7/16 | 11/16 | 1-1/16 | 2-1/2 | 5 | 1/2 | 3/16 |
| | 15/16 | 1.8 | | | | | | | | | | | | | | | | | |
| | 1 | 1.7 | | | | | | | | | | | | | | | | | |
| 206 | 25mm | 0.6 | 44.5 | 139.7 | 35.7 | 93.7 | 114.3 | M10 | 21.4 | 14.7 | 70.6 | 38.3 | 36.5 | 17.5 | 27.0 | 63.5 | 127.0 | 12.7 | 4.8 |
| | 1-1/16 | 2.8 | 1-29/32 | 6-1/4 | 1-47/64 | 4-1/4 | 5 | 1/2 | 15/16 | 11/16 | 3-1/4 | 1-3/4 | 1-5/8 | 23/32 | 1-3/16 | 2-7/8 | 5-3/4 | 9/16 | 3/16 |
| | 1-1/8 | 2.7 | | | | | | | | | | | | | | | | | |
| 206 (SXRU) | 1-3/16 | 2.6 | | | | | | | | | | | | | | | | | |
| | 1-1/4 | 2.5 | | | | | | | | | | | | | | | | | |
| | 30mm | 1.1 | 48.4 | 158.8 | 44.1 | 108.0 | 127.0 | M12 | 23.8 | 17.5 | 82.6 | 44.5 | 41.3 | 18.3 | 30.2 | 73.0 | 146.1 | 14.3 | 4.8 |
| 207 | 1-1/16 | 2.9 | 1-29/32 | 6-1/4 | 1-47/64 | 4-1/4 | 5 | 1/2 | 15/16 | 3/4 | 3-5/16 | 1-3/4 | 1-11/16 | 23/32 | 1-3/16 | 2-7/8 | 5-3/4 | 9/16 | 3/16 |
| | 1-1/8 | 2.8 | | | | | | | | | | | | | | | | | |
| | 1-3/16 | 2.7 | | | | | | | | | | | | | | | | | |
| 207 | 1-1/4 | 4.6 | 2-1/64 | 6-1/2 | 1-47/64 | 4-11/16 | 5-7/16 | 1/2 | 15/16 | 45/64 | 3-3/4 | 2-1/8 | 1-7/8 | 47/64 | 1-9/32 | 2-29/32 | 5-13/16 | 9/16 | 3/16 |
| | 1-5/16 | 4.5 | | | | | | | | | | | | | | | | | |
| | 1-3/8 | 4.4 | | | | | | | | | | | | | | | | | |
| 207 | 1-7/16 | 4.3 | | | | | | | | | | | | | | | | | |
| | 35mm | 1.9 | 51.2 | 165.1 | 44.1 | 119.1 | 138.1 | M12 | 23.8 | 17.9 | 95.3 | 54.0 | 47.6 | 18.7 | 32.5 | 73.8 | 147.6 | 14.3 | 4.8 |

| | | | |
|--------------------------------|---------------------------|------------------------|--------------------------------|
| FEATURES/BENEFITS PAGE B4-2 | NOMENCLATURE PAGE B4-4 | SELECTION PAGE B4-5 | RELATED PRODUCTS PAGE B4-85 |
|--------------------------------|---------------------------|------------------------|--------------------------------|

SELECTION/DIMENSIONS



Eccentric Collar Ball Bearings SXR AND SXRU NORMAL DUTY PILLOW BLOCK



| Series | Shaft Size | Standard | | Sealed for Life | |
|---------------|-----------------------------------|---------------|---------------------|-----------------|------------------------|
| | | Part No. | Description | Part No. | Description |
| 208 | 1-1/2 40mm | 131813 | P2B-SXR-108 | 049841 | P2B-SXR-108-NL |
| | | @ | <i>P2B-SXR-40M</i> | @ | <i>P2B-SXR-40M-NL</i> |
| 209 | 1-5/8 1-11/16 1-3/4 45mm | 131814 | P2B-SXR-110 | @ | P2B-SXR-110-NL |
| | | 131815 | P2B-SXR-111 | 052762 | P2B-SXR-111-NL |
| | | 131816 | P2B-SXR-112 | 049848 | P2B-SXR-112-NL |
| | | 125661 | <i>P2B-SXR-45M</i> | @ | <i>P2B-SXR-45M-NL</i> |
| 210 | 1-15/16 2 50mm | 131817 | P2B-SXR-115 | 052763 | P2B-SXR-115-NL |
| | | 131818 | P2B-SXR-200 | 049843 | P2B-SXR-200-NL |
| | | 125662 | <i>P2B-SXR-50M</i> | @ | <i>P2B-SXR-50M-NL</i> |
| 211 | 2 2-3/16 55mm | 131339 | P2B-SXR-200L | @ | P2B-SXR-200L-NL |
| | | 131819 | P2B-SXR-203 | @ | P2B-SXR-203-NL |
| | | 125663 | <i>P2B-SXR-55M</i> | @ | <i>P2B-SXR-55M-NL</i> |
| 212 | 2-1/4 2-7/16 60mm | 131820 | P2B-SXR-204 | @ | P2B-SXR-204-NL |
| | | 131821 | P2B-SXR-207 | 049844 | P2B-SXR-207-NL |
| | | 125664 | <i>P2B-SXR-60M</i> | @ | <i>P2B-SXR-60M-NL</i> |
| 215 | 2-15/16 75mm | 131432 | P2B-SXR-215 | @ | P2B-SXR-215-NL |
| | | @ | <i>P2B-SXR-75M</i> | @ | <i>P2B-SXR-75M-NL</i> |
| 215 (SXRU) | 2-15/16 75mm | 131433 | P2B-SXRU-215 | @ | P2B-SXRU-215-NL |
| | | 125665 | <i>P2B-SXRU-75M</i> | @ | <i>P2B-SXRU-75M-NL</i> |

@ Assembled to order

| | | | |
|--------------------------------|---------------------------|------------------------|--------------------------------|
| FEATURES/BENEFITS PAGE B4-2 | NOMENCLATURE PAGE B4-4 | SELECTION PAGE B4-5 | RELATED PRODUCTS PAGE B4-85 |
|--------------------------------|---------------------------|------------------------|--------------------------------|

SELECTION/DIMENSIONS



Eccentric Collar Ball Bearings SXR AND SXRU NORMAL DUTY PILLOW BLOCK

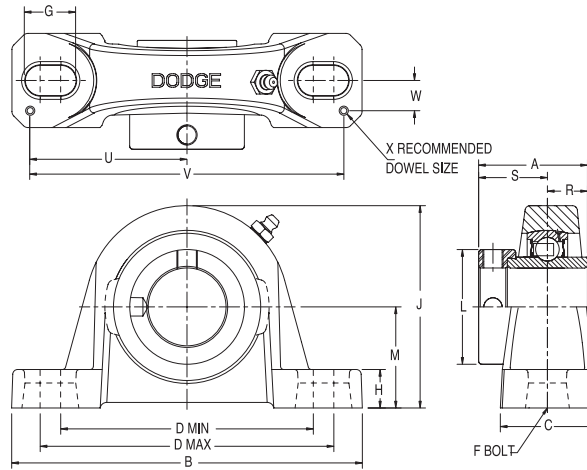
| Series | Shaft Size | Weight lbs kg | A | B | C | D | | F Bolt Dia. | G | H | J | L | M | R | S | U | V | W | X |
|--------|-----------------------------------|--------------------------|------------------|-----------------------|-----------------|-----------------|-------------------|-------------------|--------------------|----------------|-----------------|---------------|---------------|-----------------|----------------|------------------|-------------------|----------------|-------------|
| | | | | | | min. | max. | | | | | | | | | | | | |
| 208 | 1-1/2 40mm | 5.3 2.4 | 2-7/32 56.4 | 7-1/4 184.2 | 1-15/16 49.2 | 5-3/16 131.8 | 5-7/8 149.2 | 1/2 M12 | 29/32 23.0 | 15/16 23.8 | 4-3/16 106.4 | 2-3/8 60.3 | 2-1/8 54.0 | 27/32 21.4 | 1-3/8 34.9 | 3-17/64 82.9 | 6-17/32 165.9 | 11/16 17.5 | 3/16 4.8 |
| | 1-5/8 1-11/16 1-3/4 45mm | 6.6 6.5 6.4 2.8 | 2-7/32 7-7/16 | 2 5-1/2 6-3/8 | 1/2 29/32 | 3/4 4-9/32 | 2-1/8 2-1/8 | 27/32 | 1-3/8 3-3/8 | 6-3/4 11/16 | 3/16 3/16 | | | | | | | | |
| 209 | 1-15/16 2 50mm | 7.4 7.2 3.2 | 2-15/32 8-1/8 | 2-1/4 6 6-11/16 | 5/8 1-1/16 | 3/4 4-17/32 | 2-3/4 2-1/4 | 31/32 | 1-1/2 3-11/16 | 7-3/8 13/16 | 3/16 3/16 | | | | | | | | |
| | 2 55mm | 9.8 9.3 4.1 | 2-13/16 8-7/8 | 2-5/16 6-3/8 | 7-7/16 5/8 | 1-7/32 7/8 | 4-31/32 3 | 2-1/2 1-3/32 | 1-23/32 3-15/16 | 7-7/8 13/16 | 3/16 3/16 | | | | | | | | |
| 210 | 2-1/4 2-7/16 60mm | 11.6 11.0 5.0 | 3-1/16 9-1/2 | 2-3/8 6-7/8 | 7-15/16 5/8 | 1-7/32 7/8 | 5-13/32 3-5/16 | 2-3/4 1-7/32 | 1-27/32 4-1/4 | 8-1/2 7/8 | 3/16 3/16 | | | | | | | | |
| | 2-15/16 75mm | 21.0 9.3 | 3-5/8 92.1 | 11-3/4 298.5 | 2-7/8 73.0 | 8-1/2 215.9 | 9-1/2 241.3 | 7/8 M22 | 1-5/16 33.3 | 1 25.4 | 6-3/32 154.8 | 4 101.6 | 3-1/2 88.9 | 1-15/32 37.3 | 2-5/32 54.8 | 5-31/34 139.3 | 10-31/32 278.6 | 1-3/64 26.6 | 3/16 4.8 |
| 211 | 2-15/16 (SXRU) 75mm | 21.0 9.3 | 3-5/8 92.1 | 11-3/4 298.5 | 2-7/8 73.0 | 8-1/2 215.9 | 9-1/2 241.3 | 7/8 M22 | 1-7/16 36.5 | 1 25.4 | 6-3/4 171.5 | 4 101.6 | 3-1/4 82.6 | 1-15/32 37.3 | 2-5/32 54.8 | 5-31/34 139.3 | 10-31/32 278.6 | 1-3/64 26.6 | 3/16 4.8 |

| | | | |
|--------------------------------|---------------------------|------------------------|--------------------------------|
| FEATURES/BENEFITS PAGE B4-2 | NOMENCLATURE PAGE B4-4 | SELECTION PAGE B4-5 | RELATED PRODUCTS PAGE B4-85 |
|--------------------------------|---------------------------|------------------------|--------------------------------|

SELECTION/DIMENSIONS



Eccentric Collar Ball Bearings SXR NORMAL DUTY PILLOW BLOCK



| Series | Shaft Size | Standard | | With Flingers | |
|--------------|------------|---------------|---------------|---------------|------------------|
| | | Part No. | Description | Part No. | Description |
| 203 (SXR) | 1/2 | 131800 | P2B-SXR-008 | @ | P2B-SXR-008-FF |
| | 5/8 | 131801 | P2B-SXR-010 | @ | P2B-SXR-010-FF |
| | 17mm | @ | P2B-SXR-17M | @ | P2B-SXR-17M-FF |
| 204 | 3/4 | 131830 | P2B-SXRB-012 | 068195 | P2B-SXRB-012-FF |
| | 20mm | @ | P2B-SXRB-20M | @ | P2B-SXRB-20M-FF |
| 205 | 7/8 | 131831 | P2B-SXRB-014 | @ | P2B-SXRB-014-FF |
| | 15/16 | 131832 | P2B-SXRB-015 | @ | P2B-SXRB-015-FF |
| | 1 | 131833 | P2B-SXRB-100 | 068196 | P2B-SXRB-100-FF |
| | 25mm | @ | P2B-SXRB-25M | @ | P2B-SXRB-25M-FF |
| 206 | 1-1/16 | 131834 | P2B-SXRB-101 | @ | P2B-SXRB-101-FF |
| | 1-1/8 | 131835 | P2B-SXRB-102 | 068197 | P2B-SXRB-102-FF |
| | 1-3/16 | 131836 | P2B-SXRB-103 | 068198 | P2B-SXRB-103-FF |
| | 1-1/4 | 068743 | P2B-SXRB-104S | @ | P2B-SXRB-104S-FF |
| | 30mm | @ | P2B-SXRB-30M | @ | P2B-SXRB-30M-FF |
| 207 | 1-1/4 | 131837 | P2B-SXRB-104 | 068199 | P2B-SXRB-104-FF |
| | 1-5/16 | 131838 | P2B-SXRB-105 | @ | P2B-SXRB-105-FF |
| | 1-3/8 | 131839 | P2B-SXRB-106 | 068200 | P2B-SXRB-106-FF |
| | 1-7/16 | 131840 | P2B-SXRB-107 | 068201 | P2B-SXRB-107-FF |
| | 35mm | @ | P2B-SXRB-35M | @ | P2B-SXRB-35M-FF |

@ Assembled to order

| | | | |
|--------------------------------|---------------------------|------------------------|--------------------------------|
| FEATURES/BENEFITS PAGE B4-2 | NOMENCLATURE PAGE B4-4 | SELECTION PAGE B4-5 | RELATED PRODUCTS PAGE B4-85 |
|--------------------------------|---------------------------|------------------------|--------------------------------|

SELECTION/DIMENSIONS



Eccentric Collar Ball Bearings SXRБ NORMAL DUTY PILLOW BLOCK

Bearing Quick Reference

E-Z KLEEN

GRIP TIGHT Adapter Ball Bearing

Set Screw Ball Bearing

Eccentric Collar Ball Bearing

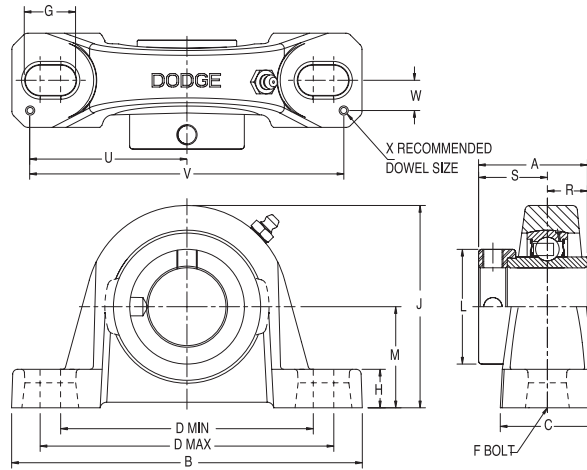
| Series | Shaft Size | Weight lbs. kg. | A | B | C | D | | F Bolt Dia. | G | H | J | L | M | R | S | U | V | W | X |
|-----------|------------|-----------------|---------|-------|---------|---------|--------|-------------|-------|-------|---------|--------|---------|-------|--------|---------|---------|------|------|
| | | | | | | min. | max. | | | | | | | | | | | | |
| 203 (SXR) | 1/2 | 1.2 | 1-15/32 | 5 | 1-31/64 | 3-1/4 | 4-1/16 | 3/8 | 27/32 | 15/32 | 2-9/64 | 1-1/8 | 1-1/16 | 35/64 | 59/64 | 2-1/4 | 4-1/2 | 3/8 | 1/8 |
| | 5/8 | 1.0 | | | | | | | | | | | | | | | | | |
| | 17mm | .5 | 37.3 | 2.2 | 30.6 | 1.4 | 103.2 | M10 | 21.4 | 11.9 | 54.4 | 28.6 | 27.0 | 13.9 | 23.4 | 57.2 | 114.3 | 9.5 | 3.2 |
| 204 | 3/4 | 1.5 | 1-23/32 | 5-1/4 | 1-21/64 | 3-3/8 | 4-3/16 | 3/8 | 27/32 | 29/64 | 2-1/2 | 1-5/16 | 1-1/4 | 43/64 | 1-3/64 | 2-1/4 | 4-1/2 | 1/2 | 1/8 |
| | 20mm | .7 | 43.7 | 2.3 | 33.7 | 1.5 | 106.4 | M10 | 21.4 | 11.5 | 63.5 | 33.3 | 31.8 | 17.1 | 26.6 | 57.2 | 114.3 | 12.7 | 3.2 |
| 205 | 7/8 | 1.8 | 1-3/4 | 5-1/2 | 1-13/32 | 3-11/16 | 4-1/2 | 3/8 | 27/32 | 29/64 | 2-21/32 | 1-1/2 | 1-5/16 | 11/16 | 1-1/16 | 2-1/2 | 5 | 1/2 | 3/16 |
| | 15/16 | 1.7 | | | | | | | | | | | | | | | | | |
| | 1 | 1.6 | | | | | | | | | | | | | | | | | |
| 206 | 25mm | .8 | 44.5 | 139.7 | 35.7 | 93.7 | 114.3 | M10 | 21.4 | 11.5 | 67.5 | 38.1 | 33.3 | 17.5 | 27.0 | 63.5 | 127.0 | 12.7 | 4.8 |
| | 1-1/16 | 2.7 | 1-29/32 | 6-1/4 | 1-47/64 | 4-1/4 | 5 | 1/2 | 15/16 | 5/8 | 3-3/16 | 1-3/4 | 1-9/16 | 23/32 | 1-3/16 | 2-7/8 | 5-3/4 | 9/16 | 3/16 |
| | 1-1/8 | 2.6 | | | | | | | | | | | | | | | | | |
| | 1-3/16 | 2.5 | | | | | | | | | | | | | | | | | |
| 207 | 1-1/4 | 4.4 | 2-1/64 | 6-1/2 | 1-47/64 | 4-11/16 | 5-7/16 | 1/2 | 15/16 | 41/64 | 3-11/16 | 2-1/8 | 1-13/16 | 47/64 | 1-9/32 | 2-29/32 | 5-13/16 | 9/16 | 3/16 |
| | 1-5/16 | 4.3 | | | | | | | | | | | | | | | | | |
| | 1-3/8 | 4.2 | | | | | | | | | | | | | | | | | |
| | 1-7/16 | 4.1 | | | | | | | | | | | | | | | | | |
| | 35mm | 1.9 | 51.2 | 165.1 | 44.1 | 119.1 | 138.1 | M12 | 23.8 | 16.3 | 93.7 | 54.0 | 46.0 | 18.7 | 32.5 | 73.8 | 147.6 | 14.3 | 4.8 |

| | | | |
|--------------------------------|---------------------------|------------------------|--------------------------------|
| FEATURES/BENEFITS PAGE B4-2 | NOMENCLATURE PAGE B4-4 | SELECTION PAGE B4-5 | RELATED PRODUCTS PAGE B4-85 |
|--------------------------------|---------------------------|------------------------|--------------------------------|

SELECTION/DIMENSIONS



Eccentric Collar Ball Bearings SXR Normal Duty Pillow Block



| Series | Shaft Size | Standard | | With Flingers | |
|--------|-----------------------------------|---------------|--------------------|---------------|-----------------------|
| | | Part No. | Description | Part No. | Description |
| 208 | 1-1/2 40mm | 131841 | P2B-SXR-108 | 068202 | P2B-SXR-108-FF |
| | | 125660 | <i>P2B-SXR-40M</i> | @ | <i>P2B-SXR-40M-FF</i> |
| 209 | 1-5/8 1-11/16 1-3/4 45mm | 131842 | P2B-SXR-110 | 068203 | P2B-SXR-110-FF |
| | | 131843 | P2B-SXR-111 | 068204 | P2B-SXR-111-FF |
| | | 131844 | P2B-SXR-112 | 068205 | P2B-SXR-112-FF |
| | | @ | <i>P2B-SXR-45M</i> | @ | <i>P2B-SXR-45M-FF</i> |
| 210 | 1-15/16 2 50mm | 131845 | P2B-SXR-115 | 068206 | P2B-SXR-115-FF |
| | | 131846 | P2B-SXR-200 | @ | P2B-SXR-200-FF |
| 211 | 2 2-3/16 55mm | @ | <i>P2B-SXR-50M</i> | @ | <i>P2B-SXR-50M-FF</i> |
| | | 131340 | P2B-SXR-200L | @ | P2B-SXR-200L-FF |
| | | 131847 | P2B-SXR-203 | @ | P2B-SXR-203-FF |
| 212 | 2-1/4 2-7/16 60mm | @ | <i>P2B-SXR-55M</i> | @ | <i>P2B-SXR-55M-FF</i> |
| | | 131848 | P2B-SXR-204 | @ | P2B-SXR-204-FF |
| | | 131849 | P2B-SXR-207 | @ | P2B-SXR-207-FF |
| 215 | 2-15/16 75mm | @ | <i>P2B-SXR-60M</i> | @ | <i>P2B-SXR-60M-FF</i> |
| | | 131434 | P2B-SXR-215 | @ | P2B-SXR-215-FF |
| | | @ | <i>P2B-SXR-75M</i> | @ | <i>P2B-SXR-75M-FF</i> |

@ Assembled to order

| | | | |
|--------------------------------|---------------------------|------------------------|--------------------------------|
| FEATURES/BENEFITS PAGE B4-2 | NOMENCLATURE PAGE B4-4 | SELECTION PAGE B4-5 | RELATED PRODUCTS PAGE B4-85 |
|--------------------------------|---------------------------|------------------------|--------------------------------|

SELECTION/DIMENSIONS



Eccentric Collar Ball Bearings SXRБ NORMAL DUTY PILLOW BLOCK

Bearing Quick Reference

E-Z KLEEN

GRIP TIGHT Adapter Ball Bearing

Set Screw Ball Bearing

Eccentric Collar Ball Bearing

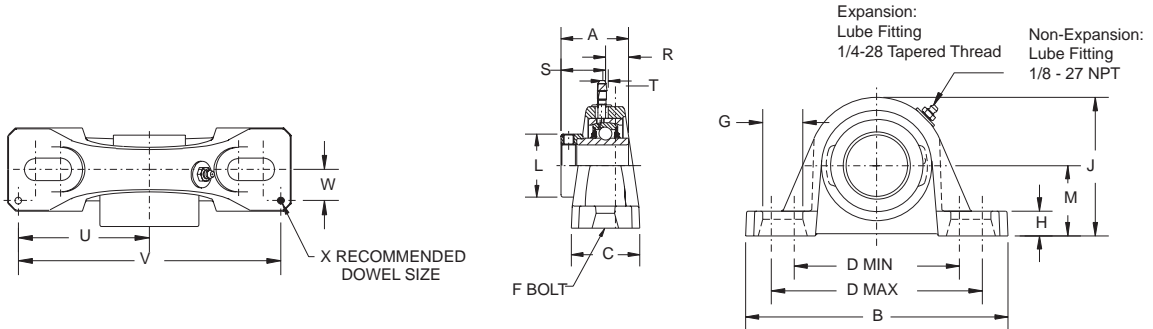
| Series | Shaft Size | Weight lbs. kg. | A | B | C | D | | F Bolt Dia. | G | H | J | L | M | R | S | U | V | W | X |
|--------|------------|-----------------|---------|--------|---------|--------|---------|-------------|--------|--------|---------|--------|---------|---------|---------|---------|----------|--------|------|
| | | | | | | min. | max. | | | | | | | | | | | | |
| 208 | 1-1/2 | 5.0 | 2-7/32 | 7-1/4 | 1-15/16 | 5-3/16 | 5-7/8 | 1/2 | 29/32 | 3/4 | 4 | 2-3/8 | 1-15/16 | 27/32 | 1-3/8 | 3-17/64 | 6-17/32 | 11/16 | 3/16 |
| | 40mm | 2.2 | 56.4 | 184.2 | 49.2 | 131.8 | 149.2 | M12 | 23.0 | 19.1 | 101.6 | 60.3 | 49.2 | 21.4 | 34.9 | 82.9 | 165.9 | 17.5 | 4.8 |
| 209 | 1-5/8 | 6.4 | 2-7/32 | 7-7/16 | 2 | 5-1/2 | 6-3/8 | 1/2 | 29/32 | 11/16 | 4-7/32 | 2-1/8 | 2-1/16 | 27/32 | 1-3/8 | 3-3/8 | 6-3/4 | 11/16 | 3/16 |
| | 1-11/16 | 6.3 | | | | | | | | | | | | | | | | | |
| | 45mm | 2.8 | 56.4 | 188.9 | 50.8 | 139.7 | 161.9 | M12 | 23.0 | 17.5 | 107.2 | 64.1 | 52.4 | 21.4 | 34.9 | 85.7 | 171.5 | 17.5 | 4.8 |
| 210 | 1-15/16 | 7.2 | 2-15/32 | 8-1/8 | 2-1/4 | 6 | 6-11/16 | 5/8 | 1-1/64 | 11/16 | 4-15/32 | 2-3/4 | 2-3/16 | 31/32 | 1-1/2 | 3-11/16 | 7-3/8 | 13/16 | 3/16 |
| | 2 | 7.0 | | | | | | | | | | | | | | | | | |
| 211 | 50mm | 3.2 | 62.7 | 206.4 | 57.2 | 152.4 | 169.9 | M16 | 25.8 | 17.5 | 113.5 | 69.9 | 55.6 | 24.6 | 38.1 | 93.7 | 187.3 | 20.6 | 4.8 |
| | 2 | 9.5 | 2-13/16 | 8-7/8 | 2-5/16 | 6-3/8 | 7-7/16 | 5/8 | 1-7/32 | 13/16 | 4-29/32 | 3 | 2-7/16 | 1-3/32 | 1-23/32 | 3-15/16 | 7-7/8 | 13/16 | 3/16 |
| 212 | 2-3/16 | 9.0 | 71.4 | 225.4 | 58.7 | 161.9 | 188.9 | M16 | 31.0 | 20.6 | 124.6 | 76.2 | 61.9 | 27.8 | 43.7 | 100.0 | 200.0 | 20.6 | 4.8 |
| | 55mm | 4.2 | | | | | | | | | | | | | | | | | |
| 215 | 2-1/4 | 11.4 | 3-1/16 | 9-1/2 | 2-3/8 | 6-7/8 | 7-15/16 | 5/8 | 1-7/32 | 13/16 | 5-11/32 | 3-5/16 | 2-11/16 | 1-7/32 | 1-27/32 | 4-1/4 | 8-1/2 | 7/8 | 3/16 |
| | 2-7/16 | 10.4 | | | | | | | | | | | | | | | | | |
| 215 | 60mm | 5.1 | 77.8 | 241.3 | 60.3 | 174.6 | 201.6 | M16 | 31.0 | 20.6 | 135.7 | 84.1 | 68.3 | 31.0 | 46.8 | 108.0 | 215.9 | 22.2 | 4.8 |
| | 2-15/16 | 21.0 | 3-5/8 | 11-3/4 | 2-7/8 | 8-1/2 | 9-1/2 | 7/8 | 1-7/16 | 1-1/16 | 6-9/16 | 4 | 3-5/16 | 1-15/32 | 2-5/32 | 5-31/64 | 10-31/32 | 1-3/64 | 3/16 |
| | 75mm | 9.3 | 92.1 | 298.5 | 73.0 | 215.9 | 241.3 | M22 | 36.5 | 27.0 | 166.7 | 101.6 | 84.1 | 37.3 | 54.8 | 139.3 | 278.6 | 26.6 | 4.8 |

| | | | |
|--------------------------------|---------------------------|------------------------|--------------------------------|
| FEATURES/BENEFITS PAGE B4-2 | NOMENCLATURE PAGE B4-4 | SELECTION PAGE B4-5 | RELATED PRODUCTS PAGE B4-85 |
|--------------------------------|---------------------------|------------------------|--------------------------------|

SELECTION/DIMENSIONS



Eccentric Collar Ball Bearings SXRH-E EXPANSION AND SXR NON-EXPANSION NORMAL DUTY PILLOW BLOCKS



| Series | Shaft Size | Expansion | | Non-Expansion | |
|--------|------------|---------------|-----------------|---------------|-------------|
| | | Part Number | Description | Part Number | Description |
| 206 | 1 1/16 | @ | P2B-SXRH-101-E | ----- | ----- |
| | 1 1/8 | @ | P2B-SXRH-102-E | ----- | ----- |
| | 1 3/16 | 126415 | P2B-SXRH-103-E | 129218 | P2B-GTM-103 |
| | 1 1/4 | @ | P2B-SXRH-104S-E | 129161 | P2B-GT-104 |
| | 30mm | @ | P2B-SXRH-30M-E | 129049 | P2B-GTM-30M |
| 207 | 1 1/4 | @ | P2B-SXRH-104-E | ----- | ----- |
| | 1 5/16 | @ | P2B-SXRH-105-E | ----- | ----- |
| | 1 3/8 | @ | P2B-SXRH-106-E | ----- | ----- |
| | 1 7/16 | 126416 | P2B-SXRH-107-E | 129219 | P2B-GTM-107 |
| | 35mm | @ | P2B-SXRH-35M-E | 136259 | P2B-GTM-35M |
| 209 | 1 5/8 | @ | P2B-SXRH-110-E | ----- | ----- |
| | 1 11/16 | @ | P2B-SXRH-111-E | 129221 | P2B-GTM-111 |
| | 1 3/4 | 062500 | P2B-SXRH-112-E | 129222 | P2B-GTM-112 |
| | 45mm | @ | P2B-SXRH-45M-E | 136261 | P2B-GTM-45M |
| 210 | 1 15/16 | 126417 | P2B-SXRH-115-E | 129223 | P2B-GTM-115 |
| | 2 | @ | P2B-SXRH-200-E | 129224 | P2B-GTM-200 |
| | 50mm | @ | P2B-SXRH-50M-E | 136262 | P2B-GTM-50M |
| 211 | 2 3/16 | 126418 | P2B-SXRH-203-E | 129225 | P2B-GTM-203 |
| | 55mm | @ | P2B-SXRH-55M-E | 136263 | P2B-GTM-55M |
| 212 | 2 7/16 | 126419 | P2B-SXRH-207-E | 129227 | P2B-GTM-207 |
| | 60mm | @ | P2B-SXRH-60M-E | 068071 | P2B-GTM-60M |

@ Assembled to order

| | | | |
|--------------------------------|---------------------------|------------------------|--------------------------------|
| FEATURES/BENEFITS PAGE B4-2 | NOMENCLATURE PAGE B4-4 | SELECTION PAGE B4-5 | RELATED PRODUCTS PAGE B4-85 |
|--------------------------------|---------------------------|------------------------|--------------------------------|

SELECTION/DIMENSIONS



Eccentric Collar Ball Bearings SXRH-E EXPANSION AND SXR NON-EXPANSION NORMAL DUTY PILLOW BLOCKS

| Series | Shaft Size | Weight lbs. kg | A | B | C | D | | F Bolt Dia. | G | H | |
|--------|------------|----------------|---------|---------|--------|--------|--------|-------------|--------|-------|------|
| | | | | | | min. | max. | | | | |
| 206 | 1-1/16 | 5.4 | 1-29/32 | 6-7/8 | 2 | 4-9/16 | 5-7/16 | 1/2 | 1 | 11/16 | |
| | 1-1/8 | 5.3 | | | | | | | | | |
| | 1-3/16 | 5.2 | | | | | | | | | |
| | 1-1/4 | 5.1 | | | | | | | | | |
| | 30mm | 2.3 | | | | | | | | | 48.4 |
| 207 | 1-1/4 | 7.5 | 2-1/64 | 7-15/16 | 2-1/32 | 5-1/16 | 6-5/16 | 1/2 | 1-3/16 | 3/4 | |
| | 1-5/16 | 7.4 | | | | | | | | | |
| | 1-3/8 | 7.3 | | | | | | | | | |
| | 1-7/16 | 7.2 | | | | | | | | | |
| | 35mm | 3.3 | | | | | | | | | 51.2 |
| 209 | 1-5/8 | 9.3 | 2-7/32 | 8-1/8 | 2-3/8 | 6 | 6-1/2 | 5/8 | 15/16 | 3/4 | |
| | 1-11/16 | 9.2 | | | | | | | | | |
| | 1-3/4 | 9.1 | | | | | | | | | |
| | 45mm | 4.1 | | | | | | | | | 56.4 |
| 210 | 1-15/16 | 11.1 | 2-15/32 | 9-1/2 | 2-1/2 | 6 | 7-1/2 | 5/8 | 1-7/16 | 7/8 | |
| | 2 | 11.0 | | | | | | | | | 62.7 |
| 211 | 2-3/16 | 16.3 | 55mm | 71.4 | 260.4 | 76.2 | 168.3 | 200.0 | M16 | 36.5 | 27.0 |
| | 55mm | 7.4 | | | | | | | | | |
| 212 | 2-7/16 | 21.4 | 60mm | 77.8 | 285.8 | 82.6 | 182.6 | 223.8 | M18 | 41.3 | 27.0 |
| | 60mm | 9.7 | | | | | | | | | |

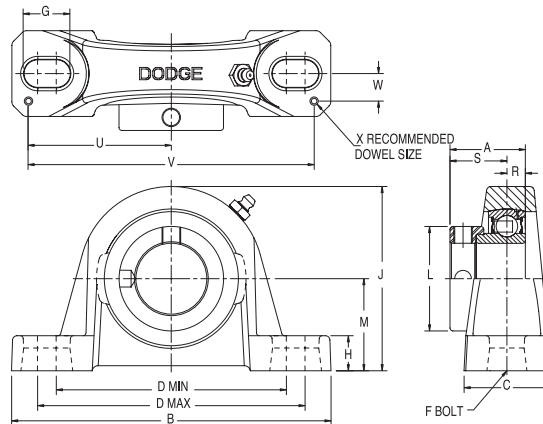
| Series | Shaft Size | J | L | M | R | S | T Total Expansion | U | V | W | X | |
|--------|------------|---------|-------|-------|-------|--------|-------------------|---------|-------|-------|------|-------|
| 206 | 1-1/16 | 3-13/16 | 1-3/4 | 1-7/8 | 23/32 | 1-3/16 | 3/16 | 3-1/8 | 6-1/4 | 11/16 | 3/16 | |
| | 1-1/8 | | | | | | | | | | | |
| | 1-3/16 | | | | | | | | | | | |
| | 1-1/4 | | | | | | | | | | | |
| | 30mm | | | | | | | | | | | 96.8 |
| 207 | 1-1/4 | 4-3/16 | 1-3/4 | 2-1/8 | 23/32 | 1-3/16 | 3/16 | 3-11/16 | 7-3/8 | 23/32 | 3/16 | |
| | 1-5/16 | | | | | | | | | | | |
| | 1-3/8 | | | | | | | | | | | |
| | 1-7/16 | | | | | | | | | | | |
| 35mm | 106.4 | 44.5 | 54.0 | 18.3 | 30.2 | 4.8 | 93.7 | 187.3 | 18.3 | 4.8 | | |
| 209 | 1-5/8 | 4-9/16 | 2-1/2 | 2-1/4 | 27/32 | 1-3/8 | 1/4 | 3-11/16 | 7-3/8 | 13/16 | 3/16 | |
| | 1-11/16 | | | | | | | | | | | |
| | 1-3/4 | | | | | | | | | | | |
| 45mm | 115.9 | 64.1 | 57.2 | 21.4 | 34.9 | 6.4 | 93.7 | 187.3 | 20.6 | 4.8 | | |
| 210 | 1-15/16 | 5-3/32 | 2-3/4 | 2-1/2 | 31/32 | 1-1/2 | 1/4 | 4-3/8 | 8-3/4 | 7/8 | 3/16 | |
| | 2 | | | | | | | | | | | 129.4 |
| 211 | 2-3/16 | 55mm | 142.9 | 76.2 | 69.9 | 27.8 | 43.7 | 6.4 | 120.7 | 241.3 | 28.6 | 4.8 |
| | 55mm | | | | | | | | | | | |
| 212 | 2-7/16 | 60mm | 158.8 | 84.1 | 76.2 | 31.0 | 46.8 | 6.4 | 123.8 | 247.7 | 23.8 | 4.8 |
| | 60mm | | | | | | | | | | | |

| | | | |
|--------------------------------|---------------------------|------------------------|--------------------------------|
| FEATURES/BENEFITS PAGE B4-2 | NOMENCLATURE PAGE B4-4 | SELECTION PAGE B4-5 | RELATED PRODUCTS PAGE B4-85 |
|--------------------------------|---------------------------|------------------------|--------------------------------|

SELECTION/DIMENSIONS



Eccentric Collar Ball Bearings SXV AND SXVU INTERMEDIATE DUTY PILLOW BLOCKS



| Series | Shaft Size | Standard | | No Lube/Sealed for Life (-NL) | |
|------------|---------------|---------------|---------------|-------------------------------|------------------|
| | | Part No. | Description | Part No. | Description |
| 203 | 1/2 | 130310 | P2B-SXV-008 | 130276 | P2B-SXV-008-NL |
| | 5/8 | 130311 | P2B-SXV-010 | @ | P2B-SXV-010-NL |
| | 17mm | @ | P2B-SXV-17M | @ | P2B-SXV-17M-NL |
| 203 (SXVU) | 1/2 | 130324 | P2B-SXVU-008 | @ | P2B-SXVU-008-NL |
| | 5/8 | 130325 | P2B-SXVU-010 | @ | P2B-SXVU-010-NL |
| | 17mm | 125711 | P2B-SXVU-17M | @ | P2B-SXVU-17M-NL |
| 204 | 3/4 | 131970 | P2B-SXV-012 | 131589 | P2B-SXV-012-NL |
| | 20mm | 125712 | P2B-SXV-20M | @ | P2B-SXV-20M-NL |
| 205 | 7/8 | 131971 | P2B-SXV-014 | 053047 | P2B-SXV-014-NL |
| | 15/16 | 131972 | P2B-SXV-015 | @ | P2B-SXV-015-NL |
| | 1 | 131973 | P2B-SXV-100 | 131996 | P2B-SXV-100-NL |
| | 25mm | 125713 | P2B-SXV-25M | @ | P2B-SXV-25M-NL |
| 206 | 1-1/16 | 131974 | P2B-SXV-101 | @ | P2B-SXV-101-NL |
| | 1-1/8 | 131975 | P2B-SXV-102 | @ | P2B-SXV-102-NL |
| | 1-3/16 | 131976 | P2B-SXV-103 | @ | P2B-SXV-103-NL |
| | 1-1/4 | 131977 | P2B-SXV-104S | @ | P2B-SXV-104S-NL |
| 30mm | @ | P2B-SXV-30M | @ | P2B-SXV-30M-NL | |
| 206 (SXVU) | 1-1/16 | 131082 | P2B-SXVU-101 | @ | P2B-SXVU-101-NL |
| | 1-1/8 | 131083 | P2B-SXVU-102 | @ | P2B-SXVU-102-NL |
| | 1-3/16 | 131084 | P2B-SXVU-103 | 053008 | P2B-SXVU-103-NL |
| | 1-1/4 | 131085 | P2B-SXVU-104S | 053042 | P2B-SXVU-104S-NL |
| 30mm | 125714 | P2B-SXVU-30M | @ | P2B-SXVU-30M-NL | |
| 207 | 1-1/4 | 131978 | P2B-SXV-104 | @ | P2B-SXV-104-NL |
| | 1-5/16 | 131979 | P2B-SXV-105 | @ | P2B-SXV-105-NL |
| | 1-3/8 | 131980 | P2B-SXV-106 | @ | P2B-SXV-106-NL |
| | 1-7/16 | 131981 | P2B-SXV-107 | 058275 | P2B-SXV-107-NL |
| | 35mm | 125715 | P2B-SXV-35M | @ | P2B-SXV-35M-NL |

@ Assembled to order

| | | | |
|--------------------------------|---------------------------|------------------------|--------------------------------|
| FEATURES/BENEFITS PAGE B4-2 | NOMENCLATURE PAGE B4-4 | SELECTION PAGE B4-5 | RELATED PRODUCTS PAGE B4-85 |
|--------------------------------|---------------------------|------------------------|--------------------------------|

SELECTION/DIMENSIONS



Eccentric Collar Ball Bearings SXV AND SXVU INTERMEDIATE DUTY PILLOW BLOCKS

Bearing Quick Reference

E-Z KLEEN

GRIP TIGHT Adapter Ball Bearing

Set Screw Ball Bearing

Eccentric Collar Ball Bearing

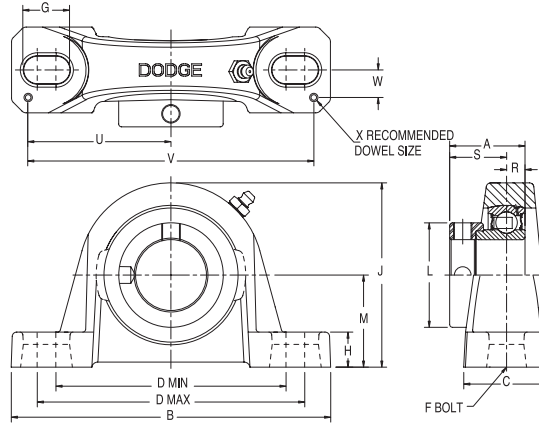
| Series | Shaft Size | Weight lbs. kg. | A | B | C | D | | F Bolt Dia. | G | H | J | L | M | R | S | U | V | W | X |
|------------|------------|-----------------|---------|-------|---------|---------|--------|-------------|-------|-------|---------|--------|---------|-------|--------|---------|---------|------|------|
| | | | | | | min. | max. | | | | | | | | | | | | |
| 203 | 1/2 | 1.2 | 1-1/8 | 5 | 1-13/64 | 3-1/4 | 4-1/16 | 3/8 | 27/32 | 15/32 | 2-9/64 | 1-1/8 | 1-1/16 | 1/4 | 7/8 | 2-1/4 | 4-1/2 | 3/8 | 1/8 |
| | 5/8 | 1.1 | | | | | | | | | | | | | | | | | |
| | 17mm | 0.5 | 28.6 | 127.0 | 30.6 | 82.6 | 103.2 | M10 | 21.4 | 11.9 | 54.4 | 28.6 | 27.0 | 6.4 | 22.2 | 57.2 | 114.3 | 9.5 | 3.2 |
| 203 (SXVU) | 1/2 | 1.4 | 1-1/8 | 5 | 1-13/64 | 3-1/4 | 4-1/16 | 3/8 | 27/32 | 19/32 | 2-17/64 | 1-1/8 | 1-3/16 | 1/4 | 7/8 | 2-1/4 | 4-1/2 | 3/8 | 1/8 |
| | 5/8 | 1.2 | | | | | | | | | | | | | | | | | |
| | 17mm | 0.6 | 28.6 | 127.0 | 30.6 | 82.6 | 103.2 | M10 | 21.4 | 15.1 | 57.5 | 28.6 | 30.2 | 6.4 | 22.2 | 57.2 | 114.3 | 9.5 | 3.2 |
| 204 | 3/4 | 1.4 | 1-7/32 | 5-1/4 | 1-21/64 | 3-3/8 | 4-3/16 | 3/8 | 27/32 | 17/32 | 2-1/16 | 1-5/16 | 1-5/16 | 19/64 | 59/64 | 2-1/4 | 4-1/2 | 1/2 | 1/8 |
| | 20mm | 0.6 | 31.0 | 133.4 | 33.7 | 85.7 | 106.4 | M10 | 21.4 | 13.5 | 65.1 | 33.3 | 33.3 | 7.5 | 23.4 | 57.2 | 114.3 | 12.7 | 3.2 |
| 205 | 7/8 | 1.9 | 1-7/32 | 5-1/2 | 1-13/32 | 3-11/16 | 4-1/2 | 3/8 | 27/32 | 37/64 | 2-25/32 | 1-1/2 | 1-7/16 | 29/64 | 49/64 | 2-1/2 | 5 | 1/2 | 3/16 |
| | 15/16 | 1.8 | | | | | | | | | | | | | | | | | |
| | 1 | 1.7 | | | | | | | | | | | | | | | | | |
| 205 | 25mm | 0.8 | 31.0 | 139.7 | 35.7 | 93.7 | 114.3 | M10 | 21.4 | 14.7 | 70.6 | 38.1 | 36.5 | 11.5 | 19.4 | 63.5 | 127.0 | 12.7 | 4.8 |
| | 1-1/16 | 2.9 | 1-13/32 | 6-1/4 | 1-47/64 | 4-1/4 | 5 | 1/2 | 15/16 | 11/16 | 3-1/4 | 1-3/4 | 1-5/8 | 23/64 | 1-3/64 | 2-7/8 | 5-3/4 | 9/16 | 3/16 |
| | 1-1/8 | 2.8 | | | | | | | | | | | | | | | | | |
| | 1-3/16 | 2.7 | | | | | | | | | | | | | | | | | |
| 206 | 1-1/4 | 2.6 | | | | | | | | | | | | | | | | | |
| | 30mm | 1.2 | 35.7 | 158.8 | 44.1 | 108.0 | 127.0 | M12 | 23.8 | 17.5 | 82.6 | 44.5 | 41.3 | 9.1 | 26.7 | 73.0 | 146.1 | 14.3 | 4.8 |
| | 1-1/16 | 3.0 | 1-13/32 | 6-1/4 | 1-47/64 | 4-1/4 | 5 | 1/2 | 15/16 | 3/4 | 3-5/16 | 1-3/4 | 1-11/16 | 23/64 | 1-3/64 | 2-7/8 | 5-3/4 | 9/16 | 3/16 |
| | 1-1/8 | 2.9 | | | | | | | | | | | | | | | | | |
| 206 (SXVU) | 1-3/16 | 2.8 | | | | | | | | | | | | | | | | | |
| | 1-1/4 | 2.7 | | | | | | | | | | | | | | | | | |
| | 30mm | 1.2 | 35.7 | 158.8 | 44.1 | 108.0 | 127.0 | M12 | 23.8 | 19.1 | 84.1 | 44.5 | 42.9 | 9.1 | 26.7 | 73.0 | 146.1 | 14.3 | 4.8 |
| | 1-1/16 | 3.0 | 1-13/32 | 6-1/4 | 1-47/64 | 4-1/4 | 5 | 1/2 | 15/16 | 3/4 | 3-5/16 | 1-3/4 | 1-11/16 | 23/64 | 1-3/64 | 2-7/8 | 5-3/4 | 9/16 | 3/16 |
| 207 | 1-1/4 | 4.4 | 1-17/32 | 6-1/2 | 1-47/64 | 4-11/16 | 5-7/16 | 1/2 | 15/16 | 23/32 | 3-3/4 | 2-1/8 | 1-7/8 | 3/8 | 1-5/32 | 2-29/35 | 5-13/16 | 9/16 | 3/16 |
| | 1-5/16 | 4.3 | | | | | | | | | | | | | | | | | |
| | 1-3/8 | 4.3 | | | | | | | | | | | | | | | | | |
| | 1-7/16 | 4.2 | | | | | | | | | | | | | | | | | |
| | 35mm | 1.9 | 38.9 | 165.1 | 44.1 | 119.1 | 138.1 | M12 | 23.8 | 18.3 | 95.3 | 54.0 | 47.6 | 9.5 | 29.4 | 73.8 | 147.6 | 14.3 | 4.8 |

| | | | |
|--------------------------------|---------------------------|------------------------|--------------------------------|
| FEATURES/BENEFITS PAGE B4-2 | NOMENCLATURE PAGE B4-4 | SELECTION PAGE B4-5 | RELATED PRODUCTS PAGE B4-85 |
|--------------------------------|---------------------------|------------------------|--------------------------------|

SELECTION/DIMENSIONS



Eccentric Collar Ball Bearings SXV AND SXVU INTERMEDIATE DUTY PILLOW BLOCKS



| Series | Shaft Size | Standard | | No Lube/Sealed for Life (-NL) | |
|--------|--------------------------|---------------|--------------|-------------------------------|-----------------|
| | | Part No. | Description | Part No. | Description |
| 208 | 1-1/2 40mm | 131982 | P2B-SXV-108 | @ | P2B-SXV-108-NL |
| | | @ | P2B-SXV-40M | @ | P2B-SXV-40M-NL |
| 209 | 1-11/16 1-3/4 45mm | 130312 | P2B-SXV-111 | @ | P2B-SXV-111-NL |
| | | 130313 | P2B-SXV-112 | @ | P2B-SXV-112-NL |
| | | 125717 | P2B-SXV-45M | @ | P2B-SXV-45M-NL |
| 210 | 1-15/16 2 50mm | 130314 | P2B-SXV-115 | @ | P2B-SXV-115-NL |
| | | 130315 | P2B-SXV-200 | 065636 | P2B-SXV-200-NL |
| | | 125718 | P2B-SXV-50M | @ | P2B-SXV-50-NL |
| 211 | 2 2-3/16 55mm | 130316 | P2B-SXV-200L | @ | P2B-SXV-200L-NL |
| | | 130317 | P2B-SXV-203 | @ | P2B-SXV-203-NL |
| | | 125719 | P2B-SXV-55M | @ | P2B-SXV-55M-NL |

@ Assembled to order

| | | | |
|--------------------------------|---------------------------|------------------------|--------------------------------|
| FEATURES/BENEFITS PAGE B4-2 | NOMENCLATURE PAGE B4-4 | SELECTION PAGE B4-5 | RELATED PRODUCTS PAGE B4-85 |
|--------------------------------|---------------------------|------------------------|--------------------------------|

SELECTION/DIMENSIONS



Eccentric Collar Ball Bearings SXV AND SXVU INTERMEDIATE DUTY PILLOW BLOCKS

Bearing Quick Reference

E-Z KLEEN

GRIP TIGHT Adapter Ball Bearing

Set Screw Ball Bearing

Eccentric Collar Ball Bearing

| Series | Shaft Size | Weight lbs. kg. | A | B | C | D | | F Bolt Dia. | G | H | J | L | M | R | S | U | V | W | X |
|--------|------------|-----------------|---------|--------|---------|--------|---------|-------------|--------|-------|---------|-------|-------|-------|--------|---------|---------|-------|------|
| | | | | | | min. | max. | | | | | | | | | | | | |
| 208 | 1-1/2 | 5.1 | 1-23/32 | 7-1/4 | 1-15/16 | 5-3/16 | 5-7/8 | 1/2 | 29/32 | 15/16 | 4-3/16 | 2-3/8 | 2-1/8 | 7/16 | 1-9/32 | 3-17/64 | 6-17/32 | 11/16 | 3/16 |
| | 40mm | 2.3 | 43.7 | 184.2 | 49.2 | 131.8 | 149.2 | M12 | 23.0 | 23.8 | 106.4 | 60.3 | 54.0 | 11.1 | 32.5 | 82.9 | 165.9 | 17.5 | 4.8 |
| 209 | 1-11/16 | 5.5 | 1-23/32 | 7-7/16 | 2 | 5-1/2 | 6-3/8 | 1/2 | 29/32 | 3/4 | 4-9/32 | 2-1/2 | 2-1/8 | 7/16 | 1-9/32 | 3-3/8 | 6-3/4 | 11/16 | 3/16 |
| | 1-3/4 | 5.4 | | | | | | | | | | | | | | | | | |
| | 45mm | 2.5 | 43.7 | 188.9 | 50.8 | 139.7 | 161.9 | M12 | 23.0 | 19.1 | 108.7 | 63.5 | 54.0 | 11.1 | 32.5 | 85.7 | 171.5 | 17.5 | 4.8 |
| 210 | 1-15/16 | 5.8 | 1-23/32 | 8-1/8 | 2-1/4 | 6 | 6-11/16 | 5/8 | 1-1/16 | 3/4 | 4-17/32 | 2-3/4 | 2-1/4 | 7/16 | 1-9/32 | 3-11/16 | 7-3/8 | 13/16 | 3/16 |
| | 2 | 5.7 | | | | | | | | | | | | | | | | | |
| | 50mm | 2.6 | 43.7 | 206.4 | 57.2 | 152.4 | 169.9 | M16 | 22.0 | 19.1 | 115.1 | 69.9 | 57.2 | 11.1 | 32.5 | 93.7 | 187.3 | 20.6 | 4.8 |
| 211 | 2 | 7.9 | 1-29/32 | 8-7/8 | 2-5/16 | 6-3/8 | 7-7/16 | 5/8 | 1-7/32 | 7/8 | 4-31/32 | 3 | 2-1/2 | 15/32 | 1-7/16 | 3-15/16 | 7-7/8 | 13/16 | 3/16 |
| | 2-3/16 | 7.6 | | | | | | | | | | | | | | | | | |
| | 50mm | 3.5 | 48.4 | 225.4 | 58.7 | 161.9 | 188.9 | M16 | 31.0 | 22.2 | 126.2 | 76.2 | 63.5 | 11.9 | 36.5 | 100.0 | 200.0 | 20.6 | 4.8 |

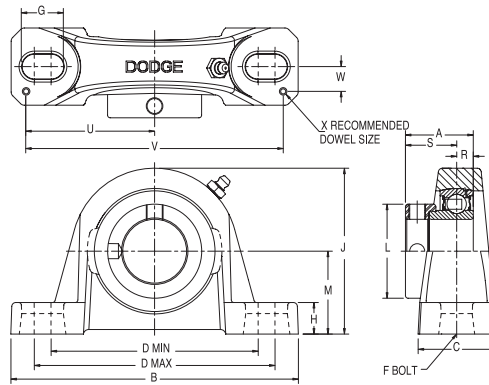
| | | | |
|--------------------------------|---------------------------|------------------------|--------------------------------|
| FEATURES/BENEFITS PAGE B4-2 | NOMENCLATURE PAGE B4-4 | SELECTION PAGE B4-5 | RELATED PRODUCTS PAGE B4-85 |
|--------------------------------|---------------------------|------------------------|--------------------------------|

SELECTION/DIMENSIONS

DODGE®



Eccentric Collar Ball Bearings SXVB INTERMEDIATE DUTY PILLOW BLOCKS



| Series | Shaft Size | Standard | |
|--------------|------------|---------------|---------------|
| | | Part No. | Description |
| 203 (SXV) | 1/2 | 130310 | P2B-SXV-008 |
| | 5/8 | 130311 | P2B-SXV-010 |
| | 17mm | @ | P2B-SXV-17M |
| 204 | 3/4 | 131983 | P2B-SXVB-012 |
| | 20mm | @ | P2B-SXVB-20M |
| 205 | 7/8 | 131984 | P2B-SXVB-014 |
| | 15/16 | 131985 | P2B-SXVB-015 |
| | 1 | 131986 | P2B-SXVB-100 |
| | 25mm | @ | P2B-SXVB-25M |
| 206 | 1-1/16 | 131987 | P2B-SXVB-101 |
| | 1-1/8 | 131988 | P2B-SXVB-102 |
| | 1-3/16 | 131989 | P2B-SXVB-103 |
| | 1-1/4 | 131990 | P2B-SXVB-104S |
| | 30mm | 056830 | P2B-SXVB-30M |
| 207 | 1-1/4 | 131991 | P2B-SXVB-104 |
| | 1-5/16 | 131992 | P2B-SXVB-105 |
| | 1-3/8 | 131993 | P2B-SXVB-106 |
| | 1-7/16 | 131994 | P2B-SXVB-107 |
| 208 | 35mm | 068864 | P2B-SXVB-35M |
| | 1-1/2 | 131995 | P2B-SXVB-108 |
| 209 | 40mm | 125716 | P2B-SXVB-40M |
| | 1-11/16 | 130318 | P2B-SXVB-111 |
| | 1-3/4 | 130319 | P2B-SXVB-112 |
| 210 | 45mm | @ | P2B-SXVB-45M |
| | 1-15/16 | 130320 | P2B-SXVB-115 |
| | 2 | 130321 | P2B-SXVB-200 |
| 211 | 50mm | @ | P2B-SXVB-50M |
| | 2 | 130322 | P2B-SXVB-200L |
| | 2-3/16 | 130323 | P2B-SXVB-203 |
| | 55mm | @ | P2B-SXVB-55M |

@ Assembled to order

FEATURES/BENEFITS
PAGE B4-2

NOMENCLATURE
PAGE B4-4

SELECTION
PAGE B4-5

RELATED PRODUCTS
PAGE B4-85

SELECTION/DIMENSIONS



Eccentric Collar Ball Bearings SXVB INTERMEDIATE DUTY PILLOW BLOCKS

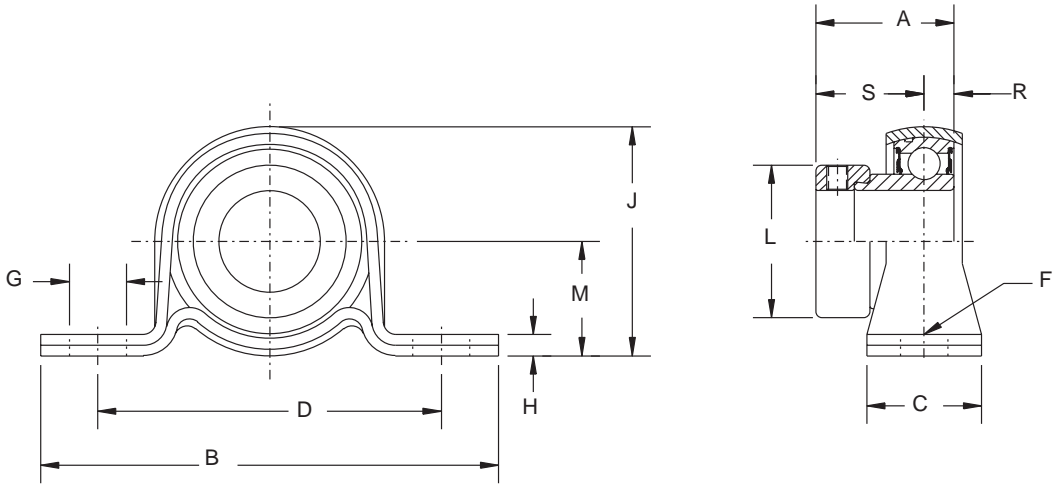
| Series | Shaft Size | Weight lbs. kg. | A | B | C | D | | F Bolt Dia. | G | H | J | L | M | R | S | U | V | W | X | |
|-----------|------------|--------------------|---------|--------|---------|---------|---------|-------------|--------|-------|---------|--------|---------|-------|--------|---------|---------|-------|------|--|
| | | | | | | min. | max. | | | | | | | | | | | | | |
| 203 (SXV) | 1/2 | 1.1 | 1-1/8 | 5 | 1-13/64 | 3-1/4 | 4-1/16 | 3/8 | 27/32 | 15/32 | 2-17/64 | 1-1/8 | 1-1/16 | 1/4 | 7/8 | 2-1/4 | 4-1/2 | 3/8 | 1/8 | |
| | 5/8 | 1.0 | | | | | | | | | | | | | | | | | | |
| | 17mm | 0.5 | 28.6 | 127.0 | 30.6 | 82.6 | 103.2 | M10 | 21.4 | 11.9 | 54.4 | 28.6 | 27.0 | 6.4 | 22.2 | 57.2 | 114.3 | 9.5 | 3.2 | |
| 204 | 3/4 | 1.3 | 1-7/32 | 5-1/4 | 1-21/64 | 3-3/8 | 4-3/16 | 3/8 | 27/32 | 29/64 | 2-1/2 | 1-5/16 | 1-1/4 | 19/64 | 59/64 | 2-1/4 | 4-1/2 | 1/2 | 1/8 | |
| | 20mm | 0.6 | 31.0 | 133.4 | 33.7 | 85.7 | 106.4 | M10 | 21.4 | 11.5 | 63.5 | 33.3 | 31.8 | 7.5 | 23.5 | 57.2 | 114.3 | 12.7 | 3.2 | |
| | | | | | | | | | | | | | | | | | | | | |
| 205 | 7/8 | 1.8 | 1-7/32 | 5-1/2 | 1-13/32 | 3-11/16 | 4-1/2 | 3/8 | 27/32 | 29/64 | 2-21/32 | 1-1/2 | 1-5/16 | 29/64 | 49/64 | 2-1/2 | 5 | 1/2 | 3/16 | |
| | 15/16 | 1.7 | | | | | | | | | | | | | | | | | | |
| | 1 | 1.6 | | | | | | | | | | | | | | | | | | |
| 206 | 25mm | 0.7 | 31.0 | 139.7 | 35.7 | 93.7 | 114.3 | M10 | 21.4 | 11.5 | 67.5 | 38.1 | 33.3 | 11.5 | 19.4 | 63.5 | 127.0 | 12.7 | 4.8 | |
| | 1-1/16 | 2.8 | 1-13/32 | 6-1/4 | 1-47/64 | 4-1/4 | 5 | 1/2 | 15/16 | 5/8 | 3-3/16 | 1-3/4 | 1-9/16 | 23/64 | 1-3/64 | 2-7/8 | 5-3/4 | 9/16 | 3/16 | |
| | 1-1/8 | 2.7 | | | | | | | | | | | | | | | | | | |
| 207 | 1-3/16 | 2.6 | | | | | | | | | | | | | | | | | | |
| | 1-1/4 | 2.5 | | | | | | | | | | | | | | | | | | |
| | 30mm | 1.2 | 35.7 | 158.8 | 44.1 | 108.0 | 127.0 | M12 | 23.8 | 15.9 | 81.0 | 44.5 | 39.7 | 9.1 | 26.7 | 73.0 | 146.1 | 14.3 | 4.8 | |
| 208 | 1-1/4 | 4.3 | 1-17/32 | 6-1/2 | 1-47/64 | 4-11/16 | 5-7/16 | 1/2 | 15/16 | 41/64 | 3-11/16 | 2-1/8 | 1-13/16 | 3/8 | 1-5/32 | 2-29/32 | 5-13/16 | 9/16 | 3/16 | |
| | 1-5/16 | 4.2 | | | | | | | | | | | | | | | | | | |
| | 1-3/8 | 4.2 | | | | | | | | | | | | | | | | | | |
| 209 | 1-7/16 | 4.1 | | | | | | | | | | | | | | | | | | |
| | 35mm | 1.9 | 38.9 | 165.1 | 44.1 | 119.1 | 138.1 | M12 | 23.8 | 16.3 | 93.7 | 54.0 | 46.0 | 9.5 | 29.4 | 73.8 | 147.6 | 14.3 | 4.8 | |
| | 1-1/2 | 5.0 | 1-23/32 | 7-1/4 | 1-15/16 | 5-3/16 | 5-7/8 | 1/2 | 29/32 | 3/4 | 4 | 2-3/8 | 1-15/16 | 7/16 | 1-9/32 | 3-17/64 | 6-17/32 | 11/16 | 3/16 | |
| 210 | 40mm | 2.2 | 43.7 | 184.2 | 49.2 | 131.8 | 149.2 | M12 | 23.0 | 19.1 | 101.6 | 60.3 | 49.2 | 11.0 | 32.5 | 82.9 | 165.9 | 17.5 | 4.8 | |
| | 1-11/16 | 5.4 | 1-23/32 | 7-7/16 | 2 | 5-1/2 | 6-3/8 | 1/2 | 29/32 | 11/16 | 4-7/32 | 2-1/2 | 2-1/16 | 7/16 | 1-9/32 | 3-3/8 | 6-3/4 | 11/16 | 3/16 | |
| | 1-3/4 | 5.3 | | | | | | | | | | | | | | | | | | |
| 211 | 45mm | 2.4 | 43.7 | 188.9 | 50.8 | 139.7 | 161.9 | M12 | 23.0 | 17.5 | 107.2 | 63.5 | 52.4 | 11.1 | 32.5 | 85.7 | 171.5 | 17.5 | 4.8 | |
| | 1-15/16 | 5.7 | 1-23/32 | 8-1/8 | 2-1/4 | 6 | 6-11/16 | 5/8 | 1-1/64 | 11/16 | 4-15/32 | 2-3/4 | 2-3/16 | 7/16 | 1-9/32 | 3-11/16 | 7-3/8 | 13/16 | 3/16 | |
| | 2 | 5.6 | | | | | | | | | | | | | | | | | | |
| 211 | 50mm | 2.5 | 43.7 | 206.4 | 57.2 | 152.4 | 169.9 | M16 | 25.8 | 17.5 | 113.5 | 69.9 | 55.6 | 11.1 | 32.5 | 93.7 | 187.3 | 20.6 | 4.8 | |
| | 2 | 7.8 | 1-29/32 | 8-7/8 | 2-5/16 | 6-3/8 | 7-7/16 | 5/8 | 1-7/32 | 13/16 | 4-29/32 | 3 | 2-7/16 | 15/32 | 1-7/16 | 3-15/16 | 7-7/8 | 13/16 | 3/16 | |
| | 2-3/16 | 7.5 | | | | | | | | | | | | | | | | | | |
| 211 | 55mm | 3.4 | 48.4 | 225.4 | 58.7 | 161.9 | 188.9 | M16 | 31.0 | 20.6 | 124.6 | 76.2 | 61.9 | 11.9 | 36.5 | 100.0 | 200.0 | 20.6 | 4.8 | |

| | | | |
|--------------------------------|---------------------------|------------------------|--------------------------------|
| FEATURES/BENEFITS PAGE B4-2 | NOMENCLATURE PAGE B4-4 | SELECTION PAGE B4-5 | RELATED PRODUCTS PAGE B4-85 |
|--------------------------------|---------------------------|------------------------|--------------------------------|

SELECTION/DIMENSIONS



Eccentric Collar Ball Bearings SLX LIGHT DUTY PILLOW BLOCKS



| Series | Shaft Size | Part No. | Description |
|--------|------------|---------------|--------------------|
| 203 | 1/2 | @ | P2B-SLX-008 |
| | 5/8 | 052932 | P2B-SLX-010 |
| 204 | 17mm | @ | <i>P2B-SLX-17M</i> |
| | 3/4 | 128130 | P2B-SLX-012 |
| 205 | 20mm | @ | <i>P2B-SLX-20M</i> |
| | 7/8 | 128131 | P2B-SLX-014 |
| 206 | 15/16 | 128132 | P2B-SLX-015 |
| | 1 | 128133 | P2B-SLX-100 |
| 207 | 25mm | @ | <i>P2B-SLX-25M</i> |
| | 1-1/8 | 128134 | P2B-SLX-102 |
| 207 | 1-3/16 | 128135 | P2B-SLX-103 |
| | 1-1/4 | 128136 | P2B-SLX-104S |
| 207 | 30mm | @ | <i>P2B-SLX-30M</i> |
| | 1-1/4 | 128183 | P2B-SLX-104 |
| 207 | 1-3/8 | 128184 | P2B-SLX-106 |
| | 1-7/16 | 128185 | P2B-SLX-107 |
| | 35mm | @ | <i>P2B-SLX-35M</i> |

@ Assembled to order.

| | | | |
|--------------------------------|---------------------------|------------------------|--------------------------------|
| FEATURES/BENEFITS PAGE B4-2 | NOMENCLATURE PAGE B4-4 | SELECTION PAGE B4-5 | RELATED PRODUCTS PAGE B4-85 |
|--------------------------------|---------------------------|------------------------|--------------------------------|

SELECTION/DIMENSIONS



Eccentric Collar Ball Bearings SLX LIGHT DUTY PILLOW BLOCKS

Bearing Quick Reference

E-Z KLEEN

GRIP TIGHT Adapter Ball Bearing

Set Screw Ball Bearing

Eccentric Collar Ball Bearing

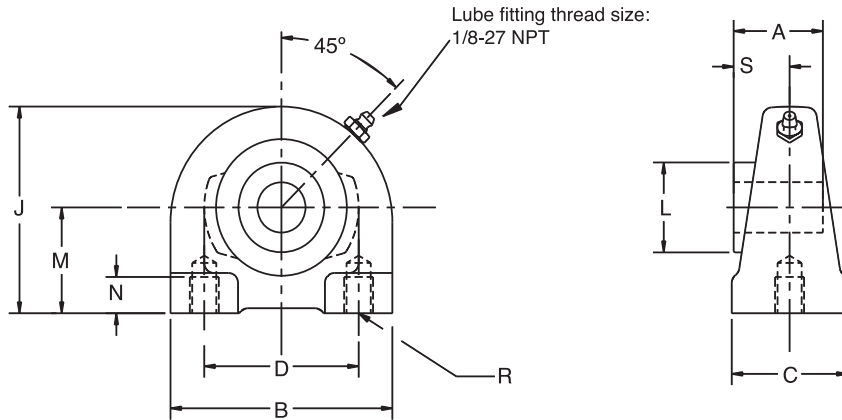
| Series | Shaft Size | Weight lbs kg | A | B | C | D | F Bolt Dia. | G | H | J | L | M | R | S | Housing Radial Load Rating (lbs) |
|--------|-------------|---------------------|---------|-------|-------|---------|-------------------|-------|-------|---------|--------|--------|-------|--------|--|
| 203 | 1/2 | 0.52 | 1-1/8 | 3-5/8 | 1 | 2-11/16 | 1/4 | 11/32 | 1/8 | 1-11/16 | 1-1/8 | 27/32 | 1/4 | 7/8 | 250 |
| | 5/8 17mm | 0.50 .23 | 28.6 | 92.1 | 25.4 | 68.3 | M6 | 8.7 | 3.2 | 42.9 | 28.6 | 21.4 | 6.4 | 22.2 | 1,112 |
| 204 | 3/4 | 0.61 | 1-7/32 | 4-1/8 | 1 | 3 | 3/8 | 1/2 | 3/16 | 2-1/16 | 1-5/16 | 1 | 19/64 | 59/64 | 350 |
| | 20mm | .27 | 31.0 | 104.8 | 25.4 | 76.2 | M10 | 12.7 | 4.8 | 52.4 | 33.3 | 25.4 | 7.5 | 23.4 | 1,556 |
| 205 | 7/8 | 0.79 | 1-7/32 | 4-1/2 | 1-1/8 | 3-3/8 | 3/8 | 9/16 | 13/64 | 2-7/32 | 1-1/2 | 1-1/8 | 19/64 | 59/64 | 400 |
| | 15/16 | 0.76 | | | | | | | | | | | | | |
| | 1 25mm | 0.73 .34 | 31.0 | 114.3 | 28.6 | 85.7 | M10 | 14.3 | 5.2 | 56.4 | 38.1 | 28.6 | 7.5 | 23.4 | 1,779 |
| 206 | 1-1/8 | 1.14 | 1-13/32 | 4-7/8 | 1-1/8 | 3-3/4 | 3/8 | 9/16 | 15/64 | 2-5/8 | 1-3/4 | 1-5/16 | 23/64 | 1-3/64 | 600 |
| | 1-3/16 | 1.12 | | | | | | | | | | | | | |
| | 1-1/4 | 1.10 | | | | | | | | | | | | | |
| | 30mm | .50 | 35.7 | 123.8 | 28.6 | 95.3 | M10 | 14.3 | 6.0 | 66.7 | 44.5 | 33.3 | 9.1 | 26.7 | 2,668 |
| 207 | 1-1/4 | 1.54 | 1-17/32 | 5-3/4 | 1-1/4 | 4-1/4 | 1/2 | 3/4 | 15/64 | 3-1/8 | 2-1/8 | 1-9/16 | 3/8 | 1-5/32 | 800 |
| | 1-3/8 | 1.50 | | | | | | | | | | | | | |
| | 1-7/16 | 1.48 | | | | | | | | | | | | | |
| | 35mm | .67 | 38.9 | 146.1 | 31.8 | 108.0 | M12 | 19.1 | 6.0 | 79.4 | 54.0 | 39.7 | 9.5 | 29.4 | 3,557 |

| | | | |
|--------------------------------|---------------------------|------------------------|--------------------------------|
| FEATURES/BENEFITS PAGE B4-2 | NOMENCLATURE PAGE B4-4 | SELECTION PAGE B4-5 | RELATED PRODUCTS PAGE B4-85 |
|--------------------------------|---------------------------|------------------------|--------------------------------|

SELECTION/DIMENSIONS



Eccentric Collar Ball Bearings SXR NORMAL DUTY TAPPED BASE PILLOW BLOCKS



| Series | Shaft Size | Part No. | Description |
|--------|------------|---------------|-------------|
| 204 | 3/4 | 053219 | TB-SXR-012 |
| | 20mm | 053411 | TB-SXR-20M |
| 205 | 7/8 | @ | TB-SXR-014 |
| | 15/16 | @ | TB-SXR-015 |
| | 1 | 051885 | TB-SXR-100 |
| | 25mm | 053412 | TB-SXR-25M |
| 206 | 1-1/16 | @ | TB-SXR-101 |
| | 1-1/8 | 053339 | TB-SXR-102 |
| | 1-3/16 | 057692 | TB-SXR-103 |
| | 1-1/4 | 067926 | TB-SXR-104S |
| | 30mm | 053413 | TB-SXR-30M |
| 207 | 1-1/4 | 062307 | TB-SXR-104 |
| | 1-5/16 | @ | TB-SXR-105 |
| | 1-3/8 | 064536 | TB-SXR-106 |
| | 1-7/16 | 049802 | TB-SXR-107 |
| | 35mm | 053414 | TB-SXR-35M |
| 208 | 1-1/2 | 064910 | TB-SXR-108 |
| | 40mm | 053415 | TB-SXR-40M |
| 209 | 1-5/8 | @ | TB-SXR-110 |
| | 1-11/16 | 068118 | TB-SXR-111 |
| | 1-3/4 | 049787 | TB-SXR-112 |
| 210 | 45mm | 053416 | TB-SXR-45M |
| | 1-15/16 | 049803 | TB-SXR-115 |
| | 2 | @ | TB-SXR-200 |
| 211 | 50mm | 053417 | TB-SXR-50M |
| | 2 | @ | TB-SXR-200L |
| | 2-3/16 | @ | TB-SXR-203 |
| | 55mm | 053418 | TB-SXR-55M |

@ Assembled to order.

| | | | |
|--------------------------------|---------------------------|------------------------|--------------------------------|
| FEATURES/BENEFITS PAGE B4-2 | NOMENCLATURE PAGE B4-4 | SELECTION PAGE B4-5 | RELATED PRODUCTS PAGE B4-85 |
|--------------------------------|---------------------------|------------------------|--------------------------------|

SELECTION/DIMENSIONS



Eccentric Collar Ball Bearings SXR NORMAL DUTY TAPPED BASE PILLOW BLOCKS

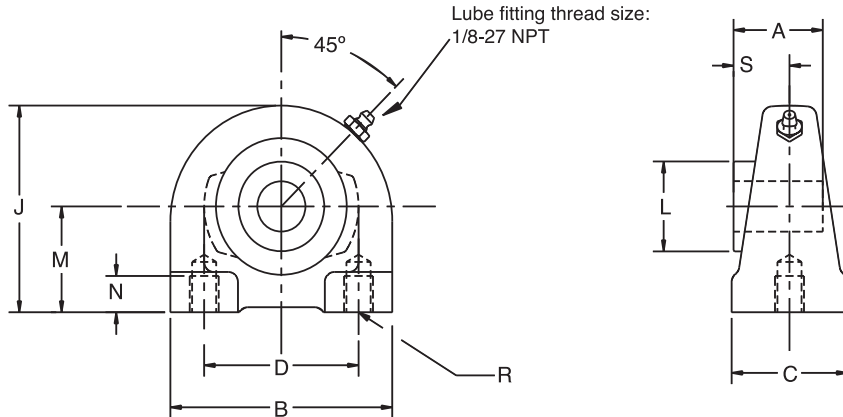
| Series | Shaft Size | Weight lbs. kg | A | B | C | D | J | L | M | N Min. Tap Depth | R Bolt Hole UNC- Thread | S |
|--------|------------|-------------------|---------|-------|-------|-------|---------|--------|---------|------------------------|----------------------------------|---------|
| 204 | 3/4 | 1.5 | 1-23/32 | 2-7/8 | 1-1/2 | 2 | 2-1/16 | 1-5/16 | 1-5/16 | 1/2 | 3/8-16 | 1-3/64 |
| | 20mm | 0.6 | 43.7 | 73.0 | 38.1 | 50.8 | 65.1 | 33.3 | 33.3 | 12.7 | M8 x 1.25 | 26.6 |
| 205 | 7/8 | 2.2 | 1-3/4 | 3 | 1-1/2 | 2 | 2-13/16 | 1-1/2 | 1-7/16 | 1/2 | 3/8-16 | 1-1/16 |
| | 15/16 | 2.1 | | | | | | | | | | |
| | 1 | 2.0 | | | | | | | | | | |
| | 25mm | 0.8 | 44.5 | 76.2 | 38.1 | 50.8 | 71.4 | 38.1 | 36.5 | 12.7 | M10 x 1.5 | 27.0 |
| 206 | 1-1/16 | 3.2 | 1-29/32 | 4 | 1-1/2 | 3 | 3-3/8 | 1-3/4 | 1-11/16 | 5/8 | 7/16-14 | 1-3/16 |
| | 1-1/8 | 3.0 | | | | | | | | | | |
| | 1-3/16 | 2.8 | | | | | | | | | | |
| | 1-1/4 | 2.6 | | | | | | | | | | |
| | 30mm | 1.1 | 48.4 | 101.6 | 38.1 | 76.2 | 85.7 | 44.5 | 42.9 | 15.9 | M10 x 1.5 | 30.2 |
| 207 | 1-1/4 | 4.4 | 2-1/64 | 4-1/4 | 1-7/8 | 3-1/4 | 3-3/4 | 2-1/8 | 1-7/8 | 3/4 | 1/2-13 | 1-9/32 |
| | 1-5/16 | 4.2 | | | | | | | | | | |
| | 1-3/8 | 4.0 | | | | | | | | | | |
| | 1-7/16 | 3.8 | | | | | | | | | | |
| | 35mm | 1.4 | 51.2 | 108.0 | 47.6 | 82.6 | 95.3 | 54.0 | 47.6 | 19.1 | M10 x 1.5 | 32.5 |
| 208 | 1-1/2 | 4.8 | 2-7/32 | 4-5/8 | 1-7/8 | 3-1/2 | 3-15/16 | 2-3/8 | 1-15/16 | 3/4 | 1/2-13 | 1-3/8 |
| | 40mm | 1.8 | 56.4 | 117.5 | 47.6 | 88.9 | 100.0 | 60.3 | 49.2 | 19.1 | M12 x 1.75 | 34.9 |
| 209 | 1-5/8 | 5.9 | 2-7/32 | 5 | 2 | 3-3/4 | 4-1/4 | 2-1/2 | 2-1/8 | 3/4 | 1/2-13 | 1-3/8 |
| | 1-11/16 | 5.7 | | | | | | | | | | |
| | 1-3/4 | 5.5 | | | | | | | | | | |
| 210 | 45mm | 2.1 | 56.4 | 127.0 | 50.8 | 95.3 | 108.0 | 63.5 | 54.0 | 19.1 | M12 x 1.75 | 34.9 |
| | 1-15/16 | 6.5 | 2-15/32 | 5-1/2 | 2 | 4 | 4-5/8 | 2-3/4 | 2-1/4 | 7/8 | 5/8-11 | 1-1/2 |
| | 2 | 6.3 | | | | | | | | | | |
| 211 | 50mm | 2.4 | 62.7 | 139.7 | 50.8 | 101.6 | 117.5 | 69.9 | 57.2 | 22.2 | M16 x 2 | 38.1 |
| | 2 | 9.2 | 2-13/16 | 5-1/2 | 2 | 4 | 4-5/8 | 3 | 2-1/4 | 7/8 | 5/8-11 | 1-23/32 |
| | 2-3/16 | 9.0 | | | | | | | | | | |
| | 55mm | 3.3 | 71.4 | 139.7 | 50.8 | 101.6 | 117.5 | 76.2 | 57.2 | 22.2 | M16 x 2 | 43.7 |

| | | | |
|--------------------------------|---------------------------|------------------------|--------------------------------|
| FEATURES/BENEFITS PAGE B4-2 | NOMENCLATURE PAGE B4-4 | SELECTION PAGE B4-5 | RELATED PRODUCTS PAGE B4-85 |
|--------------------------------|---------------------------|------------------------|--------------------------------|

SELECTION/DIMENSIONS



Eccentric Collar Ball Bearings SXV INTERMEDIATE DUTY TAPPED BASE PILLOW BLOCKS



| Series | Shaft Size | Part No. | Description |
|--------|------------|---------------|-------------------|
| 204 | 3/4 | @ | TB-SXV-012 |
| | 20mm | 130769 | <i>TB-SXV-20M</i> |
| 205 | 7/8 | @ | TB-SXV-014 |
| | 15/16 | @ | TB-SXV-015 |
| | 1 | 124474 | TB-SXV-100 |
| | 25mm | 130770 | <i>TB-SXV-25M</i> |
| 206 | 1-1/16 | @ | TB-SXV-101 |
| | 1-1/8 | @ | TB-SXV-102 |
| | 1-3/16 | @ | TB-SXV-103 |
| | 1-1/4 | @ | TB-SXV-104S |
| | 30mm | 130771 | <i>TB-SXV-30M</i> |
| 207 | 1-1/4 | @ | TB-SXV-104 |
| | 1-5/16 | @ | TB-SXV-105 |
| | 1-3/8 | @ | TB-SXV-106 |
| | 1-7/16 | @ | TB-SXV-107 |
| 208 | 35mm | 130772 | <i>TB-SXV-35M</i> |
| | 1-1/2 | 068747 | TB-SXV-108 |
| 209 | 40mm | 130773 | <i>TB-SXV-40M</i> |
| | 1-11/16 | 068400 | TB-SXV-111 |
| | 1-3/4 | @ | TB-SXV-112 |
| 210 | 45mm | 130774 | <i>TB-SXV-45M</i> |
| | 1-15/16 | @ | TB-SXV-115 |
| | 2 | @ | TB-SXV-200 |
| 211 | 50mm | 130775 | <i>TB-SXV-50M</i> |
| | 2 | @ | TB-SXV-200L |
| | 2-3/16 | 064483 | TB-SXV-203 |
| | 55mm | @ | <i>TB-SXV-55M</i> |

@ Assemble to order

| | | | |
|--------------------------------|---------------------------|------------------------|--------------------------------|
| FEATURES/BENEFITS PAGE B4-2 | NOMENCLATURE PAGE B4-4 | SELECTION PAGE B4-5 | RELATED PRODUCTS PAGE B4-85 |
|--------------------------------|---------------------------|------------------------|--------------------------------|

SELECTION/DIMENSIONS



Eccentric Collar Ball Bearings SXV INTERMEDIATE DUTY TAPPED BASE PILLOW BLOCKS

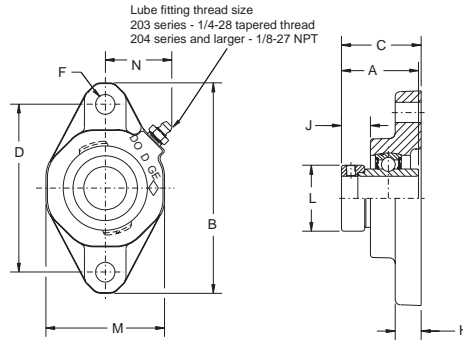
| Series | Shaft Size | Weight lbs. kg | A | B | C | D | J | L | M | N Min. Tap Depth | R Bolt Hole UNC-Thread | S |
|--------|---------------------------|--------------------------|----------------|---------------|---------------|-----------|-----------------|----------------|----------------|------------------------|------------------------------|----------------|
| 204 | 3/4 20mm | 1.5 0.6 | 1-7/32 31.0 | 2-7/8 73.0 | 1-1/2 38.1 | 2 50.8 | 2-1/16 65.1 | 1-5/16 33.3 | 1-5/16 33.3 | 1/2 12.7 | 3/8-16 M8 x 1.25 | 59/64 23.54 |
| | 7/8 15/16 1 25mm | 2.2 2.1 2.0 0.8 | 1-7/32 31.0 | 3 76.2 | 1-1/2 38.1 | 2 50.8 | 2-13/16 71.4 | 1-1/2 38.1 | 1-7/16 36.5 | 1/2 12.7 | 3/8-16 M10 x 1.5 | 49/64 19.4 |
| 206 | 1-1/16 | 3.2 | 1-13/32 | 4 | 1-1/2 | 3 | 3-3/8 | 1-3/4 | 1-11/16 | 5/8 | 7/16-14 | 1-3/64 |
| | 1-1/8 | 3.0 | | | | | | | | | | |
| | 1-3/16 | 2.8 | | | | | | | | | | |
| | 1-1/4 30mm | 2.6 1.1 | 35.7 | 101.6 | 38.1 | 76.2 | 85.7 | 44.5 | 42.9 | 15.9 | M10 x 1.5 | 26.7 |
| 207 | 1-1/4 | 4.4 | 1-17/32 | 4-1/4 | 1-7/8 | 3-1/4 | 3-3/4 | 2-1/8 | 1-7/8 | 3/4 | 1/2-13 | 1-5/32 |
| | 1-5/16 | 4.2 | | | | | | | | | | |
| | 1-3/8 | 4.0 | | | | | | | | | | |
| | 1-7/16 35mm | 3.8 1.4 | 38.9 | 108.0 | 47.6 | 82.6 | 95.3 | 54.0 | 47.6 | 19.1 | M10 x 1.5 | 29.4 |
| 208 | 1-1/2 | 4.8 | 1-23/32 | 4-5/8 | 1-7/8 | 3-1/2 | 3-15/16 | 2-3/8 | 1-15/16 | 3/4 | 1/2-13 | 1-9/32 |
| | 40mm | 1.8 | 43.7 | 117.5 | 47.6 | 88.9 | 100.0 | 60.3 | 49.2 | 19.1 | M12 x 1.75 | 32.5 |
| 209 | 1-11/16 | 5.7 | 1-23/32 | 5 | 2 | 3-3/4 | 4-1/4 | 2-7/32 | 2-1/8 | 3/4 | 1/2-13 | 1-9/32 |
| | 1-3/4 | 5.5 | | | | | | | | | | |
| | 45mm | 2.1 | 43.7 | 127.0 | 50.8 | 95.3 | 108.0 | 56.4 | 54.0 | 19.1 | M12 x 1.75 | 32.5 |
| 210 | 1-15/16 | 6.5 | 1-23/32 | 5-1/2 | 2 | 4 | 4-5/8 | 2-3/4 | 2-1/4 | 7/8 | 5/8-11 | 1-9/32 |
| | 2 | 6.3 | | | | | | | | | | |
| | 50mm | 2.4 | 43.7 | 139.7 | 50.8 | 101.6 | 117.5 | 69.9 | 57.2 | 22.2 | M16 x 2 | 32.5 |
| 211 | 2 | 9.2 | 1-29/32 | 5-1/2 | 2 | 4 | 4-5/8 | 3 | 2-1/4 | 7/8 | 5/8-11 | 1-7/16 |
| | 2-3/16 | 9.0 | | | | | | | | | | |
| | 55mm | 3.3 | 48.4 | 139.7 | 50.8 | 101.6 | 117.5 | 76.2 | 57.2 | 22.2 | M16 x 2 | 36.5 |

| | | | |
|--------------------------------|---------------------------|------------------------|--------------------------------|
| FEATURES/BENEFITS PAGE B4-2 | NOMENCLATURE PAGE B4-4 | SELECTION PAGE B4-5 | RELATED PRODUCTS PAGE B4-85 |
|--------------------------------|---------------------------|------------------------|--------------------------------|

SELECTION/DIMENSIONS



Eccentric Collar Ball Bearings SXR NORMAL DUTY 2-BOLT FLANGE BEARINGS



| Series | Shaft Size | Standard | | No Lube/Sealed for Life (-NL) | | With Flingers | |
|--------|------------|---------------|--------------|-------------------------------|-----------------|---------------|-----------------|
| | | Part No. | Description | Part No. | Description | Part No. | Description |
| 203 | 1/2 | 131050 | F2B-SXR-008 | @ | F2B-SXR-008-NL | @ | F2B-SXR-008-FF |
| | 5/8 | 131052 | F2B-SXR-010 | 131079 | F2B-SXR-010-NL | @ | F2B-SXR-010-FF |
| | 17mm | 125677 | F2B-SXR-17M | @ | F2B-SXR-17M-NL | @ | F2B-SXR-17M-FF |
| 204 | 3/4 | 131054 | F2B-SXR-012 | @ | F2B-SXR-012-NL | @ | F2B-SXR-012-FF |
| | 20mm | 125678 | F2B-SXR-20M | @ | F2B-SXR-20M-NL | @ | F2B-SXR-20M-FF |
| 205 | 7/8 | 131056 | F2B-SXR-014 | @ | F2B-SXR-014-NL | @ | F2B-SXR-014-FF |
| | 15/16 | 131057 | F2B-SXR-015 | @ | F2B-SXR-015-NL | @ | F2B-SXR-015-FF |
| | 1 | 131058 | F2B-SXR-100 | @ | F2B-SXR-100-NL | 050951 | F2B-SXR-100-FF |
| | 25mm | 125679 | F2B-SXR-25M | @ | F2B-SXR-25M-NL | @ | F2B-SXR-25M-FF |
| 206 | 1-1/16 | 131059 | F2B-SXR-101 | @ | F2B-SXR-101-NL | @ | F2B-SXR-101-FF |
| | 1-1/8 | 131060 | F2B-SXR-102 | @ | F2B-SXR-102-NL | @ | F2B-SXR-102-FF |
| | 1-3/16 | 131061 | F2B-SXR-103 | 065635 | F2B-SXR-103-NL | 053617 | F2B-SXR-103-FF |
| | 1-1/4 | 049879 | F2B-SXR-104S | 068866 | F2B-SXR-104S-NL | @ | F2B-SXR-104S-FF |
| | 30mm | 125680 | F2B-SXR-30M | @ | F2B-SXR-30M-NL | @ | F2B-SXR-30M-FF |
| 207 | 1-1/4 | 131063 | F2B-SXR-104 | @ | F2B-SXR-104-NL | 130880 | F2B-SXR-104-FF |
| | 1-5/16 | 131064 | F2B-SXR-105 | @ | F2B-SXR-105-NL | @ | F2B-SXR-105-FF |
| | 1-3/8 | 131065 | F2B-SXR-106 | @ | F2B-SXR-106-NL | 068213 | F2B-SXR-106-FF |
| | 1-7/16 | 131066 | F2B-SXR-107 | 050839 | F2B-SXR-107-NL | 053326 | F2B-SXR-107-FF |
| | 35mm | 125681 | F2B-SXR-35M | @ | F2B-SXR-35M-NL | @ | F2B-SXR-35M-FF |
| 208 | 1-1/2 | 131067 | F2B-SXR-108 | @ | F2B-SXR-108-NL | 068214 | F2B-SXR-108-FF |
| | 40mm | 125682 | F2B-SXR-40M | @ | F2B-SXR-40M-NL | @ | F2B-SXR-40M-FF |
| 209 | 1-5/8 | 131070 | F2B-SXR-110 | @ | F2B-SXR-110-NL | @ | F2B-SXR-110-FF |
| | 1-11/16 | 131071 | F2B-SXR-111 | 052729 | F2B-SXR-111-NL | @ | F2B-SXR-111-FF |
| | 1-3/4 | 131072 | F2B-SXR-112 | @ | F2B-SXR-112-NL | 068215 | F2B-SXR-112-FF |
| | 45mm | 125683 | F2B-SXR-45M | @ | F2B-SXR-45M-NL | @ | F2B-SXR-45M-FF |
| 210 | 1-15/16 | 131075 | F2B-SXR-115 | 056784 | F2B-SXR-115-NL | @ | F2B-SXR-115-FF |
| | 2 | 131077 | F2B-SXR-200 | @ | F2B-SXR-200-NL | @ | F2B-SXR-200-FF |
| | 50mm | 125684 | F2B-SXR-50M | @ | F2B-SXR-50M-NL | @ | F2B-SXR-50M-FF |
| 211 | 2 | @ | F2B-SXR-200L | @ | F2B-SXR-200L-NL | @ | F2B-SXR-200L-FF |
| | 2-3/16 | 131074 | F2B-SXR-203 | @ | F2B-SXR-203-NL | 068216 | F2B-SXR-203-FF |
| | 55mm | 056862 | F2B-SXR-55M | @ | F2B-SXR-55M-NL | @ | F2B-SXR-55M-FF |

@ Assembled to order

| | | | |
|--------------------------------|---------------------------|------------------------|--------------------------------|
| FEATURES/BENEFITS PAGE B4-2 | NOMENCLATURE PAGE B4-4 | SELECTION PAGE B4-5 | RELATED PRODUCTS PAGE B4-85 |
|--------------------------------|---------------------------|------------------------|--------------------------------|

SELECTION/DIMENSIONS



Eccentric Collar Ball Bearings SXR NORMAL DUTY 2-BOLT FLANGE BEARINGS

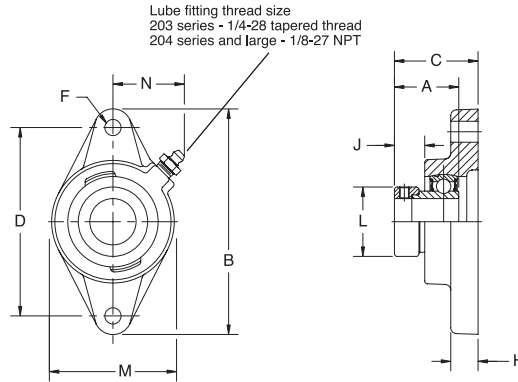
| Series | Shaft Size | Weight lbs kg | A | B | C | D | F Bolt Dia. | H | J | L | M | N |
|--------|------------|---------------------|---------|---------|---------|---------|-------------------|-------|--------|--------|--------|--------|
| 203 | 1/2 | 0.9 | 1-15/32 | 3-7/8 | 1-19/32 | 3 | 3/8 | 33/64 | 39/64 | 1-1/8 | 2-1/32 | 1-1/64 |
| | 5/8 | 0.8 | | | | | | | | | | |
| | 17mm | 0.4 | 37.3 | 98.4 | 40.5 | 76.2 | M10 | 13.1 | 15.5 | 28.6 | 51.6 | 25.8 |
| 204 | 3/4 | 1.2 | 1-23/32 | 4-27/64 | 1-61/64 | 3-17/32 | 3/8 | 19/32 | 41/64 | 1-5/16 | 2-3/8 | 1-3/16 |
| | 20mm | 0.5 | 43.7 | 112.3 | 49.6 | 89.7 | M10 | 15.1 | 16.3 | 33.3 | 60.3 | 30.2 |
| 205 | 7/8 | 1.7 | 1-3/4 | 4-7/8 | 1-13/16 | 3-57/64 | 7/16 | 19/32 | 21/32 | 1-1/2 | 2-3/4 | 1-3/8 |
| | 15/16 | 1.6 | | | | | | | | | | |
| | 1 | 1.5 | | | | | | | | | | |
| 206 | 25mm | 0.7 | 44.5 | 123.8 | 46.0 | 98.8 | M10 | 15.1 | 16.7 | 38.1 | 69.9 | 34.9 |
| | 1-1/16 | 2.4 | 1-29/32 | 5-9/16 | 1-63/64 | 4-19/32 | 7/16 | 5/8 | 47/64 | 1-3/4 | 3-1/4 | 1-5/8 |
| | 1-1/8 | 2.3 | | | | | | | | | | |
| | 1-3/16 | 2.2 | | | | | | | | | | |
| | 1-1/4 | 2.1 | | | | | | | | | | |
| 30mm | 1.0 | 48.4 | 141.3 | 50.4 | 116.7 | M10 | 15.9 | 18.7 | 44.5 | 82.6 | 41.3 | |
| 207 | 1-1/4 | 3.6 | 2-1/64 | 6-1/8 | 2-7/64 | 5-1/8 | 1/2 | 41/64 | 25/32 | 2-1/8 | 3-3/4 | 1-7/8 |
| | 1-5/16 | 3.5 | | | | | | | | | | |
| | 1-3/8 | 3.4 | | | | | | | | | | |
| | 1-7/16 | 3.3 | | | | | | | | | | |
| | 35mm | 1.5 | 51.2 | 155.6 | 53.6 | 130.2 | M12 | 16.3 | 19.8 | 54.0 | 95.3 | 47.6 |
| 208 | 1-1/2 | 4.3 | 2-7/32 | 6-3/4 | 2-21/64 | 5-21/32 | 1/2 | 21/32 | 25/32 | 2-3/8 | 4-1/8 | 2-1/6 |
| | 40mm | 1.9 | 56.4 | 171.5 | 59.1 | 143.7 | M12 | 16.7 | 19.8 | 60.3 | 104.8 | 52.4 |
| 209 | 1-5/8 | 5.3 | 2-7/32 | 7-1/16 | 2-5/16 | 5-27/32 | 1/2 | 41/64 | 25/32 | 2-1/2 | 4-3/8 | 2-3/16 |
| | 1-11/16 | 5.1 | | | | | | | | | | |
| | 1-3/4 | 4.9 | | | | | | | | | | |
| 210 | 45mm | 2.2 | 56.4 | 179.4 | 58.7 | 148.4 | M12 | 16.3 | 19.8 | 64.1 | 111.2 | 55.6 |
| | 1-15/16 | 5.8 | 2-15/32 | 7-7/16 | 2-19/32 | 6-3/16 | 5/8 | 25/32 | 53/64 | 2-3/4 | 4-9/16 | 2-1/32 |
| | 2 | 5.6 | | | | | | | | | | |
| 211 | 50mm | 2.6 | 62.7 | 188.9 | 65.9 | 157.2 | M16 | 19.8 | 21.0 | 69.9 | 115.9 | 51.6 |
| | 2 | 7.8 | 2-13/16 | 8-1/2 | 2-15/16 | 7-1/4 | 5/8 | 13/16 | 1-1/32 | 3 | 5-1/4 | 2-5/8 |
| | 2-3/16 | 7.6 | | | | | | | | | | |
| 55mm | 3.5 | 71.4 | 215.9 | 74.6 | 184.2 | M16 | 20.6 | 26.2 | 76.2 | 133.4 | 66.7 | |

| | | | |
|--------------------------------|---------------------------|------------------------|--------------------------------|
| FEATURES/BENEFITS PAGE B4-2 | NOMENCLATURE PAGE B4-4 | SELECTION PAGE B4-5 | RELATED PRODUCTS PAGE B4-85 |
|--------------------------------|---------------------------|------------------------|--------------------------------|

SELECTION/DIMENSIONS



Eccentric Collar Ball Bearings SXV INTERMEDIATE DUTY 2-BOLT FLANGE BEARINGS



| Series | Shaft Size | Standard | | No Lube/Sealed for Life (-NL) | |
|--------|------------|---------------|--------------|-------------------------------|-----------------|
| | | Part No. | Description | Part No. | Description |
| 203 | 1/2 | 130326 | F2B-SXV-008 | @ | F2B-SXV-008-NL |
| | 5/8 | 130327 | F2B-SXV-010 | @ | F2B-SXV-010-NL |
| | 17mm | 125529 | F2B-SXV-17M | @ | F2B-SXV-17M-NL |
| 204 | 3/4 | 131737 | F2B-SXV-012 | @ | F2B-SXV-012-NL |
| | 20mm | 125730 | F2B-SXV-20M | @ | F2B-SXV-20M-NL |
| 205 | 7/8 | 131738 | F2B-SXV-014 | @ | F2B-SXV-014-NL |
| | 15/16 | 131739 | F2B-SXV-015 | @ | F2B-SXV-015-NL |
| | 1 | 131740 | F2B-SXV-100 | 058778 | F2B-SXV-100-NL |
| | 25mm | 125731 | F2B-SXV-25M | @ | F2B-SXV-25M-NL |
| 206 | 1-1/16 | 131741 | F2B-SXV-101 | @ | F2B-SXV-101-NL |
| | 1-1/8 | 131742 | F2B-SXV-102 | @ | F2B-SXV-102-NL |
| | 1-3/16 | 131743 | F2B-SXV-103 | @ | F2B-SXV-103-NL |
| | 1-1/4 | 131744 | F2B-SXV-104S | @ | F2B-SXV-104S-NL |
| | 30mm | 125732 | F2B-SXV-30M | @ | F2B-SXV-30M-NL |
| 207 | 1-1/4 | 131745 | F2B-SXV-104 | @ | F2B-SXV-104-NL |
| | 1-5/16 | 131746 | F2B-SXV-105 | @ | F2B-SXV-105-NL |
| | 1-3/8 | 131747 | F2B-SXV-106 | @ | F2B-SXV-106-NL |
| | 1-7/16 | 131748 | F2B-SXV-107 | 058779 | F2B-SXV-107-NL |
| | 35mm | 125733 | F2B-SXV-35M | @ | F2B-SXV-35M-NL |
| 208 | 1-1/2 | 131749 | F2B-SXV-108 | 068784 | F2B-SXV-108-NL |
| | 40mm | 125734 | F2B-SXV-40M | @ | F2B-SXV-40M-NL |
| 209 | 1-11/16 | 130328 | F2B-SXV-111 | 059595 | F2B-SXV-111-NL |
| | 1-3/4 | 130329 | F2B-SXV-112 | @ | F2B-SXV-112-NL |
| | 45mm | 125735 | F2B-SXV-45M | @ | F2B-SXV-45M-NL |
| 210 | 1-15/16 | 130330 | F2B-SXV-115 | 059596 | F2B-SXV-115-NL |
| | 2 | 130331 | F2B-SXV-200 | 068867 | F2B-SXV-200-NL |
| | 50mm | 125736 | F2B-SXV-50M | @ | F2B-SXV-50M-NL |
| 211 | 2 | 130352 | F2B-SXV-200L | @ | F2B-SXV-200L-NL |
| | 2-3/16 | 130353 | F2B-SXV-203 | @ | F2B-SXV-203-NL |
| | 55mm | 125737 | F2B-SXV-55M | @ | F2B-SXV-55M-NL |

@ Assembled to order

| | | | |
|--------------------------------|---------------------------|------------------------|--------------------------------|
| FEATURES/BENEFITS PAGE B4-2 | NOMENCLATURE PAGE B4-4 | SELECTION PAGE B4-5 | RELATED PRODUCTS PAGE B4-85 |
|--------------------------------|---------------------------|------------------------|--------------------------------|

SELECTION/DIMENSIONS



Eccentric Collar Ball Bearings SXV INTERMEDIATE DUTY 2-BOLT FLANGE BEARINGS

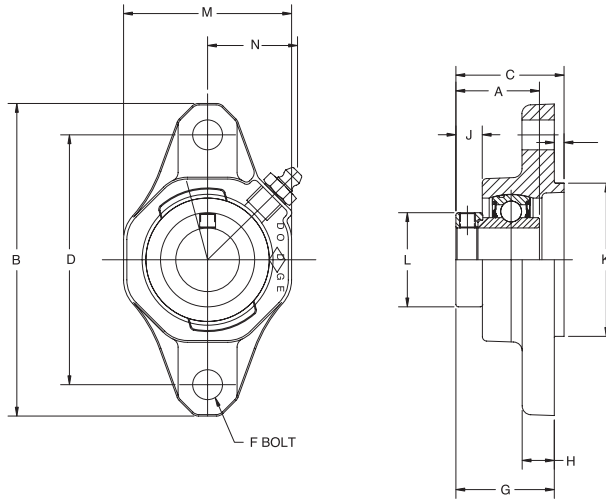
| Series | Shaft Size | Weight lbs kg | A | B | C | D | F Bolt Dia. | H | J | L | M | N |
|--------|------------|---------------------|---------|---------|---------|---------|-------------------|-------|-------|--------|--------|---------|
| 203 | 1/2 | 0.9 | 1-1/8 | 3-7/8 | 1-13/32 | 3 | 3/8 | 3/8 | 9/16 | 1-1/8 | 2-1/8 | 1-1/8 |
| | 5/8 | 0.8 | | | | | | | | | | |
| | 17mm | 0.3 | 28.6 | 98.4 | 35.7 | 76.2 | M10 | 9.5 | 14.3 | 28.6 | 54.0 | 28.6 |
| 204 | 3/4 | 1.0 | 1-7/32 | 4-27/64 | 1-9/16 | 3-17/32 | 3/8 | 1/2 | 37/64 | 1-5/16 | 2-3/8 | 1-1/2 |
| | 20mm | 0.5 | 31.0 | 112.3 | 39.7 | 89.7 | M10 | 12.7 | 14.7 | 33.3 | 60.3 | 38.1 |
| | | | | | | | | | | | | |
| 205 | 7/8 | 1.7 | 1-7/32 | 4-7/8 | 1-1/2 | 3-57/64 | 7/16 | 1/2 | 35/64 | 1-1/2 | 2-3/4 | 1-7/16 |
| | 15/16 | 1.6 | | | | | | | | | | |
| | 1 | 1.5 | | | | | | | | | | |
| 206 | 25mm | 0.7 | 31.0 | 123.8 | 38.1 | 98.8 | M10 | 12.7 | 13.9 | 38.1 | 69.9 | 36.5 |
| | 1-1/16 | 2.4 | 1-13/32 | 5-9/16 | 1-11/16 | 4-19/32 | 7/16 | 1/2 | 39/64 | 1-3/4 | 3-1/8 | 1-9/16 |
| | 1-1/8 | 2.3 | | | | | | | | | | |
| 207 | 1-3/16 | 2.2 | | | | | | | | | | |
| | 1-1/4 | 2.1 | | | | | | | | | | |
| | 30mm | 1.0 | 35.7 | 141.3 | 42.9 | 116.7 | M10 | 12.7 | 15.5 | 44.5 | 79.4 | 39.7 |
| 208 | 1-1/4 | 3.6 | 1-17/32 | 6-1/8 | 1-7/8 | 5-1/8 | 1/2 | 9/16 | 21/32 | 2-1/8 | 3-3/4 | 1-27/32 |
| | 1-5/16 | 3.5 | | | | | | | | | | |
| | 1-3/8 | 3.3 | | | | | | | | | | |
| 209 | 1-7/16 | 3.2 | | | | | | | | | | |
| | 35mm | 1.5 | 38.9 | 155.6 | 47.6 | 130.2 | M12 | 14.3 | 16.7 | 54.0 | 95.3 | 46.8 |
| | 1-1/2 | 4.7 | 1-23/32 | 6-3/4 | 2-1/16 | 5-21/32 | 1/2 | 9/16 | 23/32 | 2-3/8 | 4-1/8 | 1-53/64 |
| 210 | 40mm | 2.2 | 43.7 | 171.5 | 52.4 | 143.7 | M12 | 14.3 | 18.3 | 60.3 | 104.8 | 46.4 |
| | 1-11/16 | 5.1 | 1-23/32 | 7-1/16 | 2-3/32 | 5-27/32 | 1/2 | 5/8 | 11/16 | 2-1/2 | 4-3/8 | 1-29/32 |
| | 1-3/4 | 4.9 | | | | | | | | | | |
| 211 | 45mm | 2.2 | 43.7 | 179.4 | 53.2 | 148.4 | M12 | 15.9 | 17.5 | 63.5 | 111.1 | 48.4 |
| | 1-15/16 | 5.8 | 1-23/32 | 7-7/16 | 2-1/8 | 6-3/16 | 1/2 | 5/8 | 21/32 | 2-3/4 | 4-9/16 | 2-1/32 |
| | 2 | 5.3 | | | | | | | | | | |
| 211 | 50mm | 2.4 | 43.7 | 188.9 | 54.0 | 157.2 | M16 | 15.9 | 16.7 | 69.9 | 115.9 | 51.6 |
| | 2 | 6.9 | 1-29/32 | 8-1/2 | 2-3/8 | 7-1/4 | 5/8 | 11/16 | 25/32 | 3 | 5-1/4 | 2-17/64 |
| | 2-3/16 | 6.7 | | | | | | | | | | |
| | 55mm | 3.1 | 48.4 | 215.9 | 60.3 | 184.2 | M16 | 17.5 | 19.8 | 76.2 | 133.4 | 57.5 |

| | | | |
|--------------------------------|---------------------------|------------------------|--------------------------------|
| FEATURES/BENEFITS PAGE B4-2 | NOMENCLATURE PAGE B4-4 | SELECTION PAGE B4-5 | RELATED PRODUCTS PAGE B4-85 |
|--------------------------------|---------------------------|------------------------|--------------------------------|

SELECTION/DIMENSIONS



Eccentric Collar Ball Bearings SXR NORMAL DUTY 2-BOLT PILOTED FLANGE BEARINGS



| Series | Shaft Size | Part No. | Description |
|--------|------------|---------------|---------------|
| 204 | 3/4 | @ | F2BZ-SXR-012 |
| | 20mm | 130831 | F2BZ-SXR-20M |
| 205 | 7/8 | @ | F2BZ-SXR-014 |
| | 15/16 | @ | F2BZ-SXR-015 |
| | 1 | 064289 | F2BZ-SXR-100 |
| | 25mm | 130832 | F2BZ-SXR-25M |
| 206 | 1-1/8 | @ | F2BZ-SXR-102 |
| | 1-3/16 | @ | F2BZ-SXR-103 |
| | 1-1/4 | @ | F2BZ-SXR-104S |
| | 30mm | 130833 | F2BZ-SXR-30M |
| 207 | 1-1/4 | @ | F2BZ-SXR-104 |
| | 1-3/8 | @ | F2BZ-SXR-106 |
| | 1-7/16 | @ | F2BZ-SXR-107 |
| | 35mm | 130834 | F2BZ-SXR-35M |
| 208 | 1-1/2 | 068901 | F2BZ-SXR-108 |
| | 40mm | 130835 | F2BZ-SXR-40M |
| 209 | 1-5/8 | @ | F2BZ-SXR-110L |
| | 1-11/16 | @ | F2BZ-SXR-111 |
| | 1-3/4 | @ | F2BZ-SXR-112 |
| | 45mm | 130836 | F2BZ-SXR-45M |
| 210 | 1-15/16 | @ | F2BZ-SXR-115 |
| | 2 | @ | F2BZ-SXR-200 |
| | 50mm | 130837 | F2BZ-SXR-50M |

@ Assembled to order

| | | | |
|--------------------------------|---------------------------|------------------------|--------------------------------|
| FEATURES/BENEFITS PAGE B4-2 | NOMENCLATURE PAGE B4-4 | SELECTION PAGE B4-5 | RELATED PRODUCTS PAGE B4-85 |
|--------------------------------|---------------------------|------------------------|--------------------------------|

SELECTION/DIMENSIONS



Eccentric Collar Ball Bearings SXR NORMAL DUTY 2-BOLT PILOTED FLANGE BEARINGS

Bearing Quick Reference

E-Z KLEEN

GRIP TIGHT Adapter Ball Bearing

Set Screw Ball Bearing

Eccentric Collar Ball Bearing

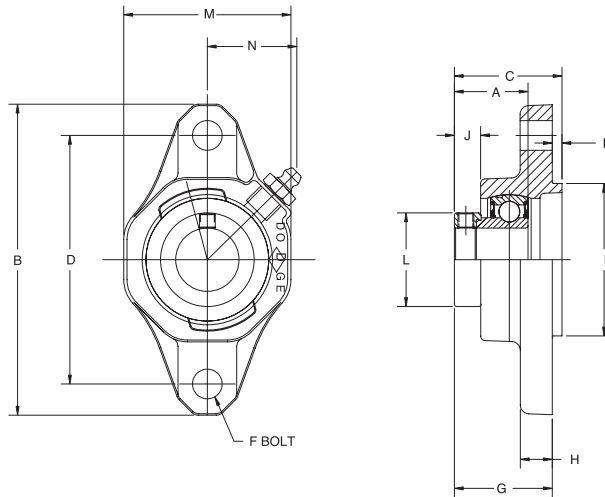
| Series | Shaft Size | Weight lbs kg | A | B | C | D | E | F Bolt Dia. | G | H | J | K | L | M | N |
|--------|--------------------------|---------------------|---------|---------|---------|---------|-------|-------------------|---------|-------|-------|--------|--------|--------|--------|
| 204 | 3/4 | 1.3 | 1-23/32 | 4-27/64 | 1-51/64 | 3-17/32 | 0.138 | 3/8 | 1-21/32 | 29/64 | 41/64 | 2.1654 | 1-5/16 | 2-3/8 | 1-3/16 |
| | 20mm | 0.6 | 43.7 | 112.3 | 45.6 | 89.7 | 3.5 | M10 | 42.1 | 11.5 | 16.3 | 55.0 | 33.3 | 60.3 | 30.2 |
| 205 | 7/8 | 1.6 | 1-3/4 | 4-7/8 | 1-51/64 | 3-57/64 | 0.138 | 7/16 | 1-43/64 | 29/64 | 21/32 | 2.3622 | 1-1/2 | 2-3/4 | 1-3/8 |
| | 15/16 1 25mm | 0.7 | 44.5 | 123.8 | 45.6 | 98.8 | 3.5 | M10 | 42.5 | 11.5 | 16.7 | 60.0 | 38.1 | 69.9 | 34.9 |
| 206 | 1-1/8 | 2.1 | 1-29/32 | 5-9/16 | 2-3/64 | 4-19/32 | 0.118 | 7/16 | 1-59/64 | 1/2 | 47/64 | 3.1496 | 1-3/4 | 3-1/4 | 1-5/8 |
| | 1-3/16 1-1/4 30mm | 0.9 | 48.4 | 141.3 | 50.1 | 116.7 | 3.0 | M10 | 47.1 | 12.7 | 18.7 | 80.0 | 44.5 | 82.6 | 41.3 |
| 207 | 1-1/4 | 3.1 | 2-1/64 | 6-1/8 | 2-7/64 | 5-1/8 | 0.158 | 1/2 | 1-61/64 | 31/64 | 25/32 | 3.5433 | 2-1/8 | 3-3/4 | 1-7/8 |
| | 1-3/8 1-7/16 35mm | 1.3 | 51.2 | 155.6 | 53.3 | 130.2 | 4.0 | M12 | 49.4 | 12.3 | 19.7 | 90.0 | 54.0 | 95.3 | 47.6 |
| 208 | 1-1/2 | 4.3 | 2-7/32 | 6-3/4 | 2-5/16 | 5-21/32 | 0.158 | 1/2 | 2-5/32 | 1/2 | 25/32 | 3.9370 | 2-3/8 | 4-1/8 | 2-1/16 |
| | 40mm | 1.9 | 56.4 | 171.5 | 58.6 | 143.7 | 4.0 | M12 | 54.8 | 12.7 | 19.5 | 100.0 | 60.3 | 104.8 | 52.4 |
| 209 | 1-5/8 | 4.7 | 2-7/32 | 7-1/16 | 2-21/64 | 5-27/32 | 0.158 | 1/2 | 2-11/64 | 31/64 | 25/32 | 4.1339 | 2-1/2 | 4-3/8 | 2-3/16 |
| | 1-11/16 1-3/4 45mm | 2.0 | 56.4 | 179.4 | 58.9 | 148.4 | 4.0 | M12 | 54.9 | 12.3 | 19.8 | 105.0 | 63.5 | 111.1 | 55.6 |
| 210 | 1-15/16 | 5.2 | 2-15/32 | 7-7/16 | 2-39/64 | 6-3/16 | 0.158 | 9/16 | 2-29/64 | 5/8 | 27/32 | 4.1339 | 2-3/4 | 4-9/16 | 2-9/32 |
| | 2 50mm | 2.1 | 62.7 | 188.9 | 66.1 | 157.2 | 4.0 | M16 | 62.1 | 15.9 | 21.5 | 105.0 | 69.9 | 115.9 | 51.5 |

| | | | |
|--------------------------------|---------------------------|------------------------|--------------------------------|
| FEATURES/BENEFITS PAGE B4-2 | NOMENCLATURE PAGE B4-4 | SELECTION PAGE B4-5 | RELATED PRODUCTS PAGE B4-85 |
|--------------------------------|---------------------------|------------------------|--------------------------------|

SELECTION/DIMENSIONS



Eccentric Collar Ball Bearings SXV INTERMEDIATE DUTY 2-BOLT PILOTED FLANGE BEARINGS



| Series | Shaft Size | Part No. | Description |
|--------|------------|---------------|---------------|
| 204 | 3/4 | @ | F2BZ-SXV-012 |
| | 20mm | 130781 | F2BZ-SXV-20M |
| 205 | 7/8 | @ | F2BZ-SXV-014 |
| | 15/16 | @ | F2BZ-SXV-015 |
| | 1 | @ | F2BZ-SXV-100 |
| | 25mm | 130782 | F2BZ-SXV-25M |
| 206 | 1-1/8 | 067601 | F2BZ-SXV-102 |
| | 1-3/16 | @ | F2BZ-SXV-103 |
| | 1-1/4 | @ | F2BZ-SXV-104S |
| | 30mm | 130783 | F2BZ-SXV-30M |
| 207 | 1-1/4 | 062893 | F2BZ-SXV-104 |
| | 1-3/8 | @ | F2BZ-SXV-106 |
| | 1-7/16 | @ | F2BZ-SXV-107 |
| | 35mm | 130784 | F2BZ-SXV-35M |
| 208 | 1-1/2 | 068763 | F2BZ-SXV-108 |
| | 40mm | 130785 | F2BZ-SXV-40M |
| 209 | 1-11/16 | @ | F2BZ-SXV-111 |
| | 1-3/4 | @ | F2BZ-SXV-112 |
| | 45mm | 130786 | F2BZ-SXV-45M |
| 210 | 1-15/16 | @ | F2BZ-SXV-115 |
| | 2 | @ | F2BZ-SXV-200 |
| | 50mm | 130787 | F2BZ-SXV-50M |

@ Assembled to order

| | | | |
|--------------------------------|---------------------------|------------------------|--------------------------------|
| FEATURES/BENEFITS PAGE B4-2 | NOMENCLATURE PAGE B4-4 | SELECTION PAGE B4-5 | RELATED PRODUCTS PAGE B4-85 |
|--------------------------------|---------------------------|------------------------|--------------------------------|

SELECTION/DIMENSIONS



Eccentric Collar Ball Bearings SXV INTERMEDIATE DUTY 2-BOLT PILOTED FLANGE BEARINGS

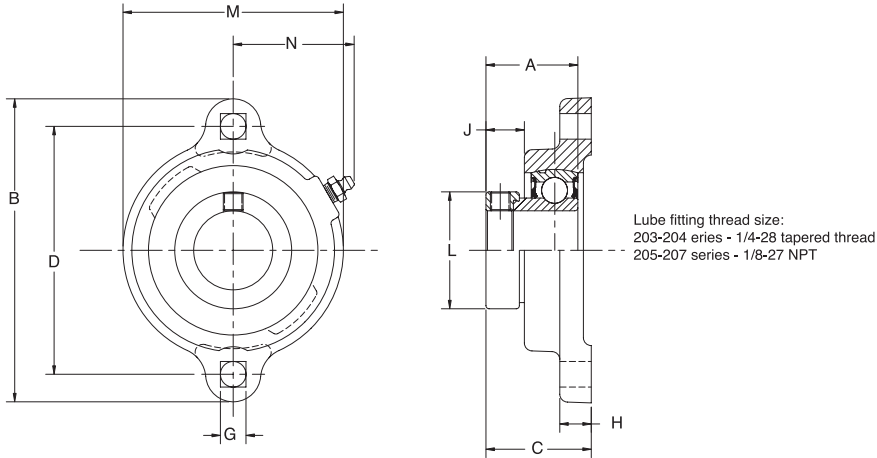
| Series | Shaft Size | Weight lbs kg | A | B | C | D | E | F Bolt Dia. | G | H | J | K | L | M | N |
|--------|------------|---------------------|---------|---------|---------|---------|------|-------------------|---------|-------|-------|--------|--------|--------|--------|
| 204 | 3/4 | 1.1 | 1-7/32 | 4-27/64 | 1-43/64 | 3-17/32 | .138 | 3/8 | 1-35/64 | 29/64 | 33/64 | 2.1654 | 1-5/16 | 2-3/8 | 1-3/16 |
| | 20mm | 0.5 | 31.0 | 112.3 | 42.5 | 89.7 | 3.5 | M10 | 39.0 | 11.5 | 13.2 | 55.0 | 33.3 | 60.3 | 30.2 |
| 205 | 7/8 | 1.5 | 1-7/32 | 4-7/8 | 1-43/64 | 3-57/64 | .138 | 7/16 | 1-34/64 | 29/64 | 33/64 | 2.3622 | 1-1/2 | 2-3/4 | 1-3/8 |
| | 15/16 | 1.4 | | | | | | | | | | | | | |
| | 1 | 1.4 | | | | | | | | | | | | | |
| | 25mm | 0.6 | 31.0 | 123.8 | 42.5 | 98.8 | 3.5 | M10 | 38.7 | 11.5 | 12.9 | 60.0 | 38.1 | 69.9 | 34.9 |
| 206 | 1-1/8 | 1.9 | 1-13/32 | 5-9/16 | 1-29/32 | 4-19/32 | .118 | 7/16 | 1-25/32 | 1/2 | 39/64 | 3.1496 | 1-3/4 | 3-1/4 | 1-5/8 |
| | 1-3/16 | 1.9 | | | | | | | | | | | | | |
| | 1-1/4 | 1.9 | | | | | | | | | | | | | |
| | 30mm | 0.9 | 35.7 | 141.3 | 46.6 | 116.7 | 3.0 | M10 | 43.6 | 12.7 | 15.1 | 80.0 | 44.5 | 82.6 | 41.3 |
| 207 | 1-1/4 | 2.9 | 1-17/32 | 6-1/8 | 1-63/64 | 5-1/8 | .158 | 1/2 | 1-53/64 | 31/64 | 21/32 | 3.5433 | 2-1/8 | 3-3/4 | 1-7/8 |
| | 1-3/8 | 2.8 | | | | | | | | | | | | | |
| | 1-7/16 | 2.8 | | | | | | | | | | | | | |
| | 35mm | 1.3 | 38.9 | 155.6 | 50.4 | 130.2 | 4.0 | M12 | 46.4 | 12.3 | 16.7 | 90.0 | 54.0 | 95.3 | 47.6 |
| 208 | 1-1/2 | 4.4 | 1-23/32 | 6-3/4 | 2-15/64 | 5-21/32 | .158 | 1/2 | 2-5/64 | 1/2 | 11/16 | 3.9370 | 2-3/8 | 4-1/8 | 2-1/16 |
| | 40mm | 2.0 | 43.7 | 171.5 | 56.5 | 143.7 | 4.0 | M12 | 52.5 | 12.7 | 17.4 | 100.0 | 60.3 | 104.8 | 52.4 |
| 209 | 1-11/16 | 4.6 | 1-23/32 | 7-1/16 | 2-15/64 | 5-27/32 | .158 | 1/2 | 2-5/64 | 31/64 | 11/16 | 4.1339 | 2-1/2 | 4-3/8 | 2-3/16 |
| | 1-3/4 | 4.5 | | | | | | | | | | | | | |
| | 45mm | 2.1 | 43.7 | 179.4 | 56.5 | 148.4 | 4.0 | M12 | 52.6 | 12.3 | 17.4 | 105.0 | 63.5 | 111.1 | 55.6 |
| 210 | 1-15/16 | 5.0 | 1-23/32 | 7-7/16 | 2-25/64 | 6-3/16 | .158 | 9/16 | 2-15/64 | 5/8 | 5/8 | 4.1339 | 2-3/4 | 4-9/16 | 2-9/32 |
| | 2 | 4.8 | | | | | | | | | | | | | |
| | 50mm | 2.1 | 43.7 | 188.9 | 60.5 | 157.2 | 4.0 | M16 | 56.5 | 15.9 | 15.9 | 105.0 | 69.9 | 115.9 | 51.6 |

| | | | |
|--------------------------------|---------------------------|------------------------|--------------------------------|
| FEATURES/BENEFITS PAGE B4-2 | NOMENCLATURE PAGE B4-4 | SELECTION PAGE B4-5 | RELATED PRODUCTS PAGE B4-85 |
|--------------------------------|---------------------------|------------------------|--------------------------------|

SELECTION/DIMENSIONS



Eccentric Collar Ball Bearings SXV LFT INTERMEDIATE DUTY 2-BOLT FLANGE BEARINGS



| Series | Shaft Size | Standard | | No Lube/Sealed for Life (-NL) | |
|--------|------------|---------------|--------------|-------------------------------|-----------------|
| | | Part No. | Description | Part No. | Description |
| 203 | 1/2 | @ | LFT-SXV-008 | 124748 | LFT-SXV-008-NL |
| | 5/8 | 124749 | LFT-SXV-010 | 068855 | LFT-SXV-010-NL |
| | 17mm | 130776 | LFT-SXV-17M | @ | LFT-SXV-17M-NL |
| 204 | 3/4 | @ | LFT-SXV-012 | 124678 | LFT-SXV-012-NL |
| | 20mm | 130777 | LFT-SXV-20M | @ | LFT-SXV-20M-NL |
| 205 | 7/8 | 049751 | LFT-SXV-014 | @ | LFT-SXV-014-NL |
| | 15/16 | @ | LFT-SXV-015 | @ | LFT-SXV-015-NL |
| | 1 | 124677 | LFT-SXV-100 | 124697 | LFT-SXV-100-NL |
| | 25mm | 130778 | LFT-SXV-25M | @ | LFT-SXV-25M-NL |
| 206 | 1-1/16 | @ | LFT-SXV-101 | @ | LFT-SXV-101-NL |
| | 1-1/8 | 068387 | LFT-SXV-102 | @ | LFT-SXV-102-NL |
| | 1-3/16 | 068803 | LFT-SXV-103 | 053007 | LFT-SXV-103-NL |
| | 1-1/4 | 068561 | LFT-SXV-104S | 062945 | LFT-SXV-104S-NL |
| | 30mm | 130779 | LFT-SXV-30M | @ | LFT-SXV-30M-NL |
| 207 | 1-1/4 | @ | LFT-SXV-104 | @ | LFT-SXV-104-NL |
| | 1-5/16 | @ | LFT-SXV-105 | @ | LFT-SXV-105-NL |
| | 1-3/8 | 062439 | LFT-SXV-106 | @ | LFT-SXV-106-NL |
| | 1-7/16 | 064750 | LFT-SXV-107 | 124676 | LFT-SXV-107-NL |
| | 35mm | 130780 | LFT-SXV-35M | @ | LFT-SXV-35M-NL |

@ Assembled to order

| | | | |
|--------------------------------|---------------------------|------------------------|--------------------------------|
| FEATURES/BENEFITS PAGE B4-2 | NOMENCLATURE PAGE B4-4 | SELECTION PAGE B4-5 | RELATED PRODUCTS PAGE B4-85 |
|--------------------------------|---------------------------|------------------------|--------------------------------|

SELECTION/DIMENSIONS



Eccentric Collar Ball Bearings SXV LFT INTERMEDIATE DUTY 2-BOLT FLANGE BEARINGS

Bearing Quick Reference

E-Z KLEEN

GRIP TIGHT Adapter Ball Bearing

Set Screw Ball Bearing

Eccentric Collar Ball Bearing

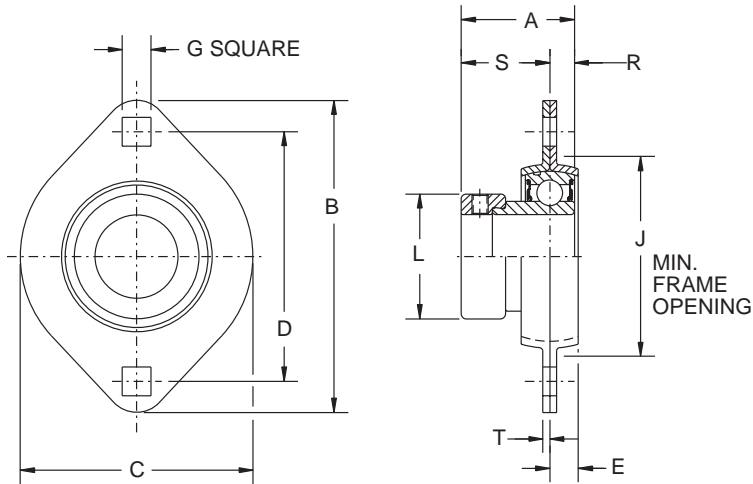
| Series | Shaft Size | Weight lbs kg | A | B | C | D | G | H | J | L | M | N |
|--------|----------------|---------------------|---------|---------|---------|---------|-------|-------|-------|--------|-------|---------|
| 203 | 1/2 | 0.63 | 1-1/8 | 3-3/16 | 1-3/64 | 2-1/2 | 9/32 | 3/8 | 21/64 | 1-1/8 | 2-1/8 | 1-15/64 |
| | 5/8 17mm | 0.60 0.3 | 28.6 | 81.0 | 27.0 | 63.5 | 7.5 | 9.5 | 13.5 | 28.6 | 54.0 | 31.4 |
| 204 | 3/4 | 0.77 | 1-7/32 | 3-9/16 | 1-7/32 | 2-13/16 | 11/32 | 27/64 | 3/8 | 1-5/16 | 2-3/8 | 1-11/32 |
| | 20mm | 0.4 | 31.0 | 90.5 | 31.0 | 71.4 | 8.7 | 10.7 | 14.4 | 33.3 | 60.3 | 34.1 |
| 205 | 7/8 | 0.92 | 1-7/32 | 3-3/4 | 1-1/4 | 3 | 11/32 | 27/64 | 3/8 | 1-1/2 | 2-5/8 | 1-7/16 |
| | 15/16 | 0.89 | | | | | | | | | | |
| | 1 25mm | 0.86 0.4 | 31.0 | 95.3 | 31.8 | 76.2 | 8.7 | 10.7 | 9.5 | 38.1 | 66.7 | 36.5 |
| 206 | 1-1/16 | 1.53 | 1-13/32 | 4-7/16 | 1-15/32 | 3-9/16 | 13/32 | 15/32 | 15/32 | 1-3/4 | 3-1/4 | 1-23/32 |
| | 1-1/8 | 1.50 | | | | | | | | | | |
| | 1-3/16 | 1.47 | | | | | | | | | | |
| | 1-1/4 30mm | 1.44 0.7 | 35.7 | 112.7 | 37.3 | 90.5 | 10.3 | 11.9 | 15.8 | 44.5 | 82.6 | 43.7 |
| 207 | 1-1/4 | 1.92 | 1-17/32 | 4-13/16 | 1-19/32 | 3-15/16 | 13/32 | 1/2 | 17/32 | 2-1/8 | 3-1/2 | 1-53/64 |
| | 1-5/16 | 1.89 | | | | | | | | | | |
| | 1-3/8 | 1.86 | | | | | | | | | | |
| | 1-7/16 35mm | 1.83 0.8 | 38.9 | 122.2 | 40.5 | 100.0 | 10.3 | 12.7 | 11.1 | 54.0 | 88.9 | 46.4 |

| | | | |
|--------------------------------|---------------------------|------------------------|--------------------------------|
| FEATURES/BENEFITS PAGE B4-2 | NOMENCLATURE PAGE B4-4 | SELECTION PAGE B4-5 | RELATED PRODUCTS PAGE B4-85 |
|--------------------------------|---------------------------|------------------------|--------------------------------|

SELECTION/DIMENSIONS



Eccentric Collar Ball Bearings SLX LIGHT DUTY 2-BOLT FLANGE BEARINGS



| Series | Shaft Size | Standard | |
|--------|------------|---------------|--------------|
| | | Part No. | Description |
| 203 | 1/2 | @ | F2B-SLX-008 |
| | 5/8 | 062497 | F2B-SLX-010 |
| | 17mm | @ | F2B-SLX-17M |
| 204 | 3/4 | 128137 | F2B-SLX-012 |
| | 20mm | @ | F2B-SLX-20M |
| 205 | 7/8 | 128138 | F2B-SLX-014 |
| | 15/16 | 128139 | F2B-SLX-015 |
| | 1 | 128140 | F2B-SLX-100 |
| | 25mm | @ | F2B-SLX-25M |
| 206 | 1-1/8 | 128141 | F2B-SLX-102 |
| | 1-3/16 | 128142 | F2B-SLX-103 |
| | 1-1/4 | 128143 | F2B-SLX-104S |
| | 30mm | @ | F2B-SLX-30M |
| 207 | 1-1/4 | 128186 | F2B-SLX-104 |
| | 1-3/8 | 128187 | F2B-SLX-106 |
| | 1-7/16 | 128188 | F2B-SLX-107 |
| | 35mm | @ | F2B-SLX-35M |

@ Assembled to order

| | | | |
|--------------------------------|---------------------------|------------------------|--------------------------------|
| FEATURES/BENEFITS PAGE B4-2 | NOMENCLATURE PAGE B4-4 | SELECTION PAGE B4-5 | RELATED PRODUCTS PAGE B4-85 |
|--------------------------------|---------------------------|------------------------|--------------------------------|

SELECTION/DIMENSIONS



Eccentric Collar Ball Bearings SLX LIGHT DUTY 2-BOLT FLANGE BEARINGS

Bearing Quick Reference

E-Z KLEEN

GRIP TIGHT Adapter Ball Bearing

Set Screw Ball Bearing

Eccentric Collar Ball Bearing

| Series | Shaft Size | Weight lbs kg | A | B | C | D | E | G* | J | L | R | S | T | Housing Radial Load Rating (lbs) |
|--------|----------------|---------------------|---------|---------|---------|---------|-------|-------|---------|--------|-------|--------|-------|--|
| 203 | 1/2 | .51 | 1-1/8 | 3-3/16 | 2-5/16 | 2-1/2 | 9/32 | 9/32 | 1-15/16 | 1-1/8 | 1/4 | 7/8 | 0.075 | 600 |
| | 5/8 17mm | .48 .23 | 28.6 | 81.0 | 58.7 | 63.5 | 7.1 | 7.1 | 49.2 | 28.6 | 6.4 | 22.2 | 1.9 | 2668 |
| 204 | 3/4 | .51 | 1-7/32 | 3-9/16 | 2-5/8 | 2-13/16 | 5/16 | 11/32 | 2-3/16 | 1-5/16 | 19/64 | 59/64 | 0.083 | 700 |
| | 20mm | .23 | 31.0 | 90.5 | 66.7 | 71.4 | 7.9 | 8.7 | 55.6 | 33.3 | 7.5 | 23.4 | 2.1 | 3112 |
| 205 | 7/8 | .79 | 1-7/32 | 3-3/4 | 2-51/64 | 3 | 11/32 | 11/32 | 2-3/8 | 1-1/2 | 19/64 | 59/64 | 0.083 | 800 |
| | 15/16 | .76 | | | | | | | | | | | | |
| | 1 25mm | .73 .35 | 31.0 | 95.3 | 71.0 | 76.2 | 8.7 | 8.7 | 60.3 | 38.1 | 11.5 | 19.4 | 2.1 | 3557 |
| 206 | 1-1/8 | 1.14 | 1-13/32 | 4-7/16 | 3-5/16 | 3-9/16 | 11/32 | 13/32 | 2-13/16 | 1-3/4 | 23/64 | 1-3/64 | 0.104 | 1100 |
| | 1-3/16 | 1.12 | | | | | | | | | | | | |
| | 1-1/4 | 1.10 | | | | | | | | | | | | |
| | 30mm | .52 | 35.7 | 112.7 | 84.1 | 90.5 | 8.7 | 10.3 | 71.4 | 44.5 | 9.1 | 26.7 | 2.6 | 4891 |
| 207 | 1-1/4 | 1.54 | 1-17/32 | 4-15/16 | 3-11/16 | 3-15/16 | 7/16 | 13/32 | 3-3/16 | 2-1/8 | 3/8 | 1-5/32 | 0.104 | 1100 |
| | 1-3/8 | 1.50 | | | | | | | | | | | | |
| | 1-7/16 35mm | 1.48 .69 | 38.9 | 125.4 | 93.7 | 100.0 | 11.1 | 10.3 | 81.6 | 54.0 | 9.5 | 29.4 | 2.6 | 6225 |

* Mounting bolt holes will accept either carriage or machine bolts.

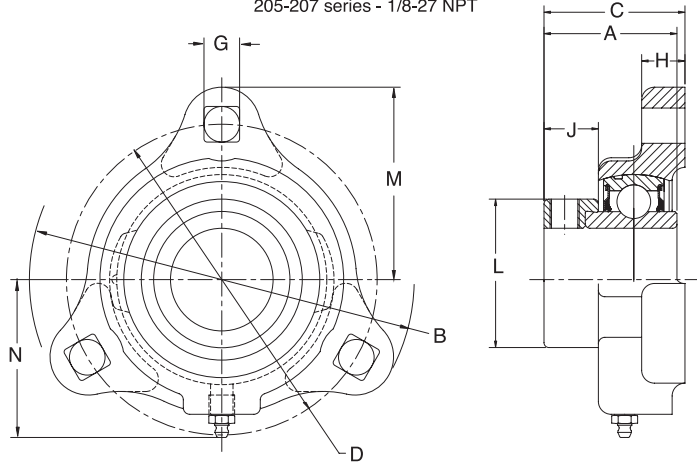
| | | | |
|--------------------------------|---------------------------|------------------------|--------------------------------|
| FEATURES/BENEFITS PAGE B4-2 | NOMENCLATURE PAGE B4-4 | SELECTION PAGE B4-5 | RELATED PRODUCTS PAGE B4-85 |
|--------------------------------|---------------------------|------------------------|--------------------------------|

SELECTION/DIMENSIONS



Eccentric Collar Ball Bearings SXV LF NORMAL DUTY 3-BOLT FLANGE BEARINGS

Lube fitting thread size:
203-204 series - 1/4-28 tapered thread
205-207 series - 1/8-27 NPT



| Series | Shaft Size | Standard | | No Lube/Sealed for Life (-NL) | |
|--------|------------|---------------|-------------|-------------------------------|----------------|
| | | Part No. | Description | Part No. | Description |
| 203 | 1/2 | @ | LF-SXV-008 | @ | LF-SXV-008-NL |
| | 5/8 | @ | LF-SXV-010 | @ | LF-SXV-010-NL |
| | 17mm | @ | LF-SXV-17M | @ | LF-SXV-17M-NL |
| 204 | 3/4 | @ | LF-SXV-012 | @ | LF-SXV-012-NL |
| | 20mm | @ | LF-SXV-20M | @ | LF-SXV-20M-NL |
| 205 | 7/8 | @ | LF-SXV-014 | @ | LF-SXV-014-NL |
| | 15/16 | @ | LF-SXV-015 | @ | LF-SXV-015-NL |
| | 1 | 124591 | LF-SXV-100 | @ | LF-SXV-100-NL |
| | 25mm | @ | LF-SXV-25M | @ | LF-SXV-25M-NL |
| 206 | 1-1/16 | @ | LF-SXV-101 | @ | LF-SXV-101-NL |
| | 1-1/8 | @ | LF-SXV-102 | 068790 | LF-SXV-102-NL |
| | 1-3/16 | 124590 | LF-SXV-103 | 062454 | LF-SXV-103-NL |
| | 1-1/4 | @ | LF-SXV-104S | 124634 | LF-SXV-104S-NL |
| | 30mm | 065530 | LF-SXV-30M | @ | LF-SXV-30M-NL |
| 207 | 1-1/4 | @ | LF-SXV-104 | @ | LF-SXV-104-NL |
| | 1-5/16 | @ | LF-SXV-105 | @ | LF-SXV-105-NL |
| | 1-3/8 | 053763 | LF-SXV-106 | @ | LF-SXV-106-NL |
| | 1-7/16 | 050420 | LF-SXV-107 | @ | LF-SXV-107-NL |
| | 35mm | @ | LF-SXV-35M | @ | LF-SXV-35M-NL |

@ Assembled to order

| | | | |
|--------------------------------|---------------------------|------------------------|--------------------------------|
| FEATURES/BENEFITS PAGE B4-2 | NOMENCLATURE PAGE B4-4 | SELECTION PAGE B4-5 | RELATED PRODUCTS PAGE B4-85 |
|--------------------------------|---------------------------|------------------------|--------------------------------|

SELECTION/DIMENSIONS



Eccentric Collar Ball Bearings SXV LF NORMAL DUTY 3-BOLT FLANGE BEARINGS

Bearing Quick Reference

E-Z KLEEN

GRIP TIGHT Adapter Ball Bearing

Set Screw Ball Bearing

Eccentric Collar Ball Bearing

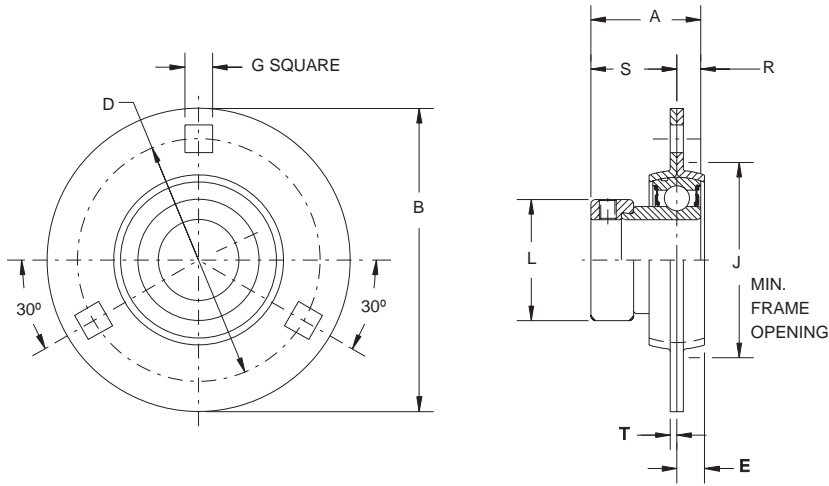
| Series | Shaft Size | Weight lbs kg | A | B | C | D | G | H | J | L | M | N |
|--------|----------------|---------------------|---------|---------|---------|---------|-------|-------|-------|--------|---------|---------|
| 203 | 1/2 | 0.63 | 1-1/8 | 3-3/16 | 1-9/32 | 2-1/2 | 9/32 | 3/8 | 9/16 | 1-1/8 | 1-19/32 | 1-27/32 |
| | 5/8 17mm | 0.60 0.3 | 28.6 | 81.0 | 27.0 | 63.5 | 7.5 | 9.5 | 8.7 | 28.6 | 40.5 | 46.8 |
| 204 | 3/4 | 0.77 | 1-7/32 | 3-9/16 | 1-13/32 | 2-13/16 | 23/64 | 27/64 | 9/16 | 1-5/16 | 1-25/32 | 1-37/64 |
| | 20mm | 0.4 | 31.0 | 90.5 | 31.0 | 71.4 | 9.1 | 10.7 | 9.5 | 33.3 | 45.2 | 40.1 |
| 205 | 7/8 | 0.92 | 1-7/32 | 3-3/4 | 1-13/32 | 3 | 11/32 | 27/64 | 17/32 | 1-1/2 | 1-7/8 | 1-45/64 |
| | 15/16 | 0.89 | | | | | | | | | | |
| | 1 25mm | 0.86 0.4 | 31.0 | 95.3 | 31.8 | 76.2 | 8.7 | 10.7 | 10.3 | 38.1 | 47.6 | 43.3 |
| 206 | 1-1/16 | 1.53 | 1-13/32 | 4-7/16 | 1-39/64 | 3-9/16 | 13/32 | 15/32 | 39/64 | 1-3/4 | 2-7/32 | 2-1/64 |
| | 1-1/8 | 1.50 | | | | | | | | | | |
| | 1-3/16 | 1.47 | | | | | | | | | | |
| | 1-1/4 30mm | 1.44 0.7 | 35.7 | 112.7 | 37.3 | 90.5 | 10.3 | 11.9 | 13.5 | 44.5 | 56.4 | 51.2 |
| 207 | 1-1/4 | 1.92 | 1-17/32 | 4-13/16 | 1-23/32 | 3-15/16 | 13/32 | 1/2 | 21/32 | 2-1/8 | 2-13/32 | 2-1/64 |
| | 1-5/16 | 1.89 | | | | | | | | | | |
| | 1-3/8 | 1.86 | | | | | | | | | | |
| | 1-7/16 35mm | 1.83 0.8 | 38.9 | 122.2 | 40.5 | 100.0 | 10.3 | 12.7 | 13.5 | 54.0 | 61.1 | 54.4 |

| | | | |
|--------------------------------|---------------------------|------------------------|--------------------------------|
| FEATURES/BENEFITS PAGE B4-2 | NOMENCLATURE PAGE B4-4 | SELECTION PAGE B4-5 | RELATED PRODUCTS PAGE B4-85 |
|--------------------------------|---------------------------|------------------------|--------------------------------|

SELECTION/DIMENSIONS



Eccentric Collar Ball Bearings SXV LF NORMAL DUTY 3-BOLT FLANGE BEARINGS



| Series | Shaft Size | Standard | |
|--------|------------|---------------|--------------|
| | | Part No | Description |
| 204 | 3/4 | 128144 | F3B-SLX-012 |
| | 20mm | @ | F3B-SLX-20M |
| 205 | 7/8 | 128145 | F3B-SLX-014 |
| | 15/16 | 128146 | F3B-SLX-015 |
| | 1 | 128147 | F3B-SLX-100 |
| | 25mm | @ | F3B-SLX-25M |
| 206 | 1-1/8 | 128148 | F3B-SLX-102 |
| | 1-3/16 | 128149 | F3B-SLX-103 |
| | 1-1/4 | 128150 | F3B-SLX-104S |
| | 30mm | @ | F3B-SLX-30M |
| 207 | 1-1/4 | 128189 | F3B-SLX-104 |
| | 1-3/8 | 128190 | F3B-SLX-106 |
| | 1-7/16 | 128191 | F3B-SLX-107 |
| | 35mm | @ | F3B-SLX-35M |

@ Assembled to order

| | | | |
|--------------------------------|---------------------------|------------------------|--------------------------------|
| FEATURES/BENEFITS PAGE B4-2 | NOMENCLATURE PAGE B4-4 | SELECTION PAGE B4-5 | RELATED PRODUCTS PAGE B4-85 |
|--------------------------------|---------------------------|------------------------|--------------------------------|

SELECTION/DIMENSIONS



Eccentric Collar Ball Bearings SXV LF NORMAL DUTY 3-BOLT FLANGE BEARINGS

Bearing Quick Reference

E-Z KLEEN

GRIP TIGHT Adapter Ball Bearing

Set Screw Ball Bearing

Eccentric Collar Ball Bearing

| Series | Shaft Size | Weight lbs kg | A | B | D | E | G* | J | L | R | S | T | Housing Radial Load Rating (lbs) |
|--------|------------|---------------------|---------|---------|---------|-------|-------|---------|--------|-------|--------|------|--|
| 204 | 3/4 | .53 | 1-7/32 | 3-9/16 | 2-13/16 | 5/16 | 11/32 | 2-3/16 | 1-5/16 | 19/64 | 59/64 | .083 | 700 |
| | 20mm | .24 | 31.0 | 90.5 | 71.4 | 7.9 | 8.7 | 55.6 | 33.3 | 7.5 | 23.4 | 2.1 | 3112 |
| 205 | 7/8 | .81 | 1-7/32 | 3-3/4 | 3 | 11/32 | 11/32 | 2-3/8 | 1-1/2 | 19/64 | 59/64 | .083 | 800 |
| | 15/16 | .78 | | | | | | | | | | | |
| | 1 | .75 | | | | | | | | | | | |
| 206 | 25mm | .36 | 31.0 | 95.3 | 76.2 | 8.7 | 8.7 | 60.3 | 38.1 | 11.5 | 19.4 | 2.1 | 3557 |
| | 1-1/8 | 1.16 | 1-13/32 | 4-7/16 | 3-9/16 | 11/32 | 13/32 | 2-13/16 | 1-3/4 | 23/64 | 1-3/64 | .104 | 1100 |
| | 1-3/16 | 1.14 | | | | | | | | | | | |
| | 1-1/4 | 1.12 | | | | | | | | | | | |
| 207 | 30mm | .53 | 35.7 | 112.7 | 90.5 | 8.7 | 10.3 | 71.4 | 44.5 | 9.1 | 26.7 | 2.6 | 4891 |
| | 1-1/4 | 1.56 | 1-17/32 | 4-15/16 | 3-15/16 | 7/16 | 13/32 | 2-13/16 | 2-1/8 | 3/8 | 1-5/32 | .104 | 1100 |
| | 1-3/8 | 1.52 | | | | | | | | | | | |
| | 1-7/16 | 1.50 | | | | | | | | | | | |
| | 35mm | .70 | 38.9 | 125.4 | 100.0 | 11.1 | 10.3 | 71.4 | 54.0 | 9.5 | 29.4 | 2.6 | 6225 |

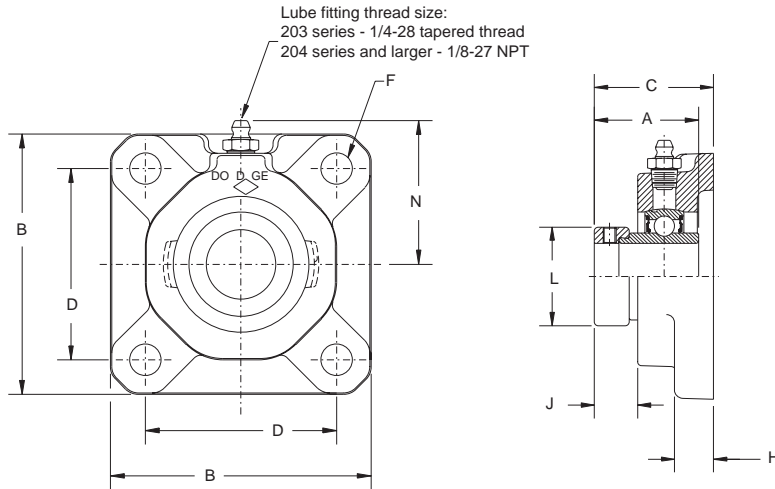
* Mounting bolt holes will accept either carriage or machine bolts.

| | | | |
|--------------------------------|---------------------------|------------------------|--------------------------------|
| FEATURES/BENEFITS PAGE B4-2 | NOMENCLATURE PAGE B4-4 | SELECTION PAGE B4-5 | RELATED PRODUCTS PAGE B4-85 |
|--------------------------------|---------------------------|------------------------|--------------------------------|

SELECTION/DIMENSIONS



Eccentric Collar Ball Bearings SXR NORMAL DUTY 4-BOLT FLANGE BEARINGS



| Series | Shaft Size | Standard | | With Flingers | |
|--------|------------|---------------|--------------|---------------|-----------------|
| | | Part No. | Description | Part No. | Description |
| 203 | 1/2 | 131100 | F4B-SXR-008 | @ | F4B-SXR-008-FF |
| | 5/8 | 131102 | F4B-SXR-010 | @ | F4B-SXR-010-FF |
| | 17mm | 125666 | F4B-SXR-17M | @ | F4B-SXR-17M-FF |
| 204 | 3/4 | 131104 | F4B-SXR-012 | @ | F4B-SXR-012-FF |
| | 20mm | 125667 | F4B-SXR-20M | @ | F4B-SXR-20M-FF |
| 205 | 7/8 | 131106 | F4B-SXR-014 | @ | F4B-SXR-014-FF |
| | 15/16 | 131107 | F4B-SXR-015 | @ | F4B-SXR-015-FF |
| | 1 | 131108 | F4B-SXR-100 | 068207 | F4B-SXR-100-FF |
| | 25mm | 125668 | F4B-SXR-25M | @ | F4B-SXR-25M-FF |
| 206 | 1-1/16 | 131109 | F4B-SXR-101 | @ | F4B-SXR-101-FF |
| | 1-1/8 | 131110 | F4B-SXR-102 | 068208 | F4B-SXR-102-FF |
| | 1-3/16 | 131111 | F4B-SXR-103 | @ | F4B-SXR-103-FF |
| | 1-1/4 | 064929 | F4B-SXR-104S | @ | F4B-SXR-104S-FF |
| | 30mm | 125669 | F4B-SXR-30M | @ | F4B-SXR-30M-FF |
| 207 | 1-1/4 | 131113 | F4B-SXR-104 | 068209 | F4B-SXR-104-FF |
| | 1-5/16 | 131114 | F4B-SXR-105 | @ | F4B-SXR-105-FF |
| | 1-3/8 | 131115 | F4B-SXR-106 | @ | F4B-SXR-106-FF |
| | 1-7/16 | 131116 | F4B-SXR-107 | @ | F4B-SXR-107-FF |
| | 35mm | 125670 | F4B-SXR-35M | @ | F4B-SXR-35M-FF |

@ Assembled to order

| | | | |
|--------------------------------|---------------------------|------------------------|--------------------------------|
| FEATURES/BENEFITS PAGE B4-2 | NOMENCLATURE PAGE B4-4 | SELECTION PAGE B4-5 | RELATED PRODUCTS PAGE B4-85 |
|--------------------------------|---------------------------|------------------------|--------------------------------|

SELECTION/DIMENSIONS



Eccentric Collar Ball Bearings SXR NORMAL DUTY 4-BOLT FLANGE BEARINGS

Bearing Quick Reference

E-Z KLEEN

GRIP TIGHT Adapter Ball Bearing

Set Screw Ball Bearing

Eccentric Collar Ball Bearing

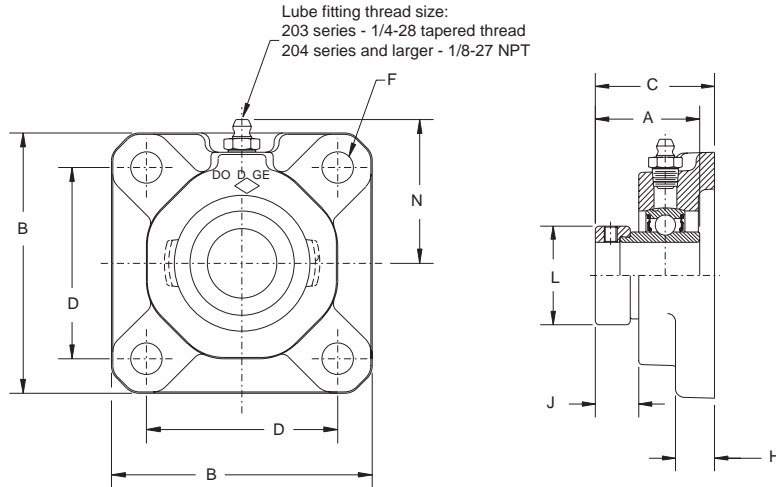
| Series | Shaft Size | Weight lbs kg | A | B | C | D | F Bolt Dia. | H | J | L | N |
|--------|----------------|---------------------|---------|-------|---------|-------|-------------------|-------|-------|--------|---------|
| 203 | 1/2 | 1.2 | 1-15/32 | 3 | 1-19/32 | 2-1/8 | 3/8 | 33/64 | 39/64 | 1-1/8 | 1-37/64 |
| | 5/8 17mm | 1.1 0.5 | 37.3 | 76.2 | 40.5 | 54.0 | M10 | 13.1 | 15.5 | 28.6 | 40.1 |
| 204 | 3/4 | 1.6 | 1-23/32 | 3-3/8 | 1-51/64 | 2-1/2 | 3/8 | 19/32 | 41/64 | 1-5/16 | 2-1/32 |
| | 20mm | 0.8 | 43.7 | 85.7 | 45.6 | 63.5 | M10 | 15.1 | 16.3 | 33.3 | 51.6 |
| 205 | 7/8 | 2.3 | 1-3/4 | 3-3/4 | 1-13/16 | 2-3/4 | 7/16 | 19/32 | 21/32 | 1-1/2 | 2-1/8 |
| | 15/16 | 2.2 | | | | | | | | | |
| | 1 25mm | 2.1 0.9 | 44.5 | 95.3 | 46.0 | 69.9 | M10 | 15.1 | 16.7 | 38.1 | 54.0 |
| 206 | 1-1/16 | 3.1 | 1-29/32 | 4-1/4 | 1-63/64 | 3-1/4 | 7/16 | 5/8 | 47/64 | 1-3/4 | 2-5/32 |
| | 1-1/8 | 3.0 | | | | | | | | | |
| | 1-3/16 | 2.9 | | | | | | | | | |
| | 1-1/4 30mm | 2.8 1.3 | 48.4 | 108.0 | 50.4 | 82.6 | M10 | 15.9 | 18.7 | 44.5 | 54.8 |
| 207 | 1-1/4 | 4.2 | 2-1/64 | 4-5/8 | 2-7/64 | 3-5/8 | 1/2 | 41/64 | 25/32 | 2-1/8 | 2-13/32 |
| | 1-5/16 | 4.1 | | | | | | | | | |
| | 1-3/8 | 4.0 | | | | | | | | | |
| | 1-7/16 35mm | 3.9 1.8 | 51.2 | 117.5 | 53.6 | 92.1 | M12 | 16.3 | 19.8 | 54.0 | 61.1 |

| | | | |
|--------------------------------|---------------------------|------------------------|--------------------------------|
| FEATURES/BENEFITS PAGE B4-2 | NOMENCLATURE PAGE B4-4 | SELECTION PAGE B4-5 | RELATED PRODUCTS PAGE B4-85 |
|--------------------------------|---------------------------|------------------------|--------------------------------|

SELECTION/DIMENSIONS



Eccentric Collar Ball Bearings SXR NORMAL DUTY 4-BOLT FLANGE BEARINGS



| Series | Shaft Size | Standard | | With Flingers | |
|--------|-----------------------------------|----------|--------------|---------------|-----------------|
| | | Part No. | Description | Part No. | Description |
| 208 | 1-1/2 40mm | 131117 | F4B-SXR-108 | @ | F4B-SXR-108-FF |
| | | 125671 | F4B-SXR-40M | @ | F4B-SXR-40M-FF |
| 209 | 1-5/8 1-11/16 1-3/4 45mm | 131120 | F4B-SXR-110 | 068210 | F4B-SXR-110-FF |
| | | 131121 | F4B-SXR-111 | 068211 | F4B-SXR-111-FF |
| | | 131122 | F4B-SXR-112 | 068212 | F4B-SXR-112-FF |
| | | 125672 | F4B-SXR-45M | @ | F4B-SXR-45M-FF |
| 210 | 1-15/16 2 50mm | 131125 | F4B-SXR-115 | @ | F4B-SXR-115-FF |
| | | 131127 | F4B-SXR-200 | @ | F4B-SXR-200-FF |
| | | 125673 | F4B-SXR-50M | @ | F4B-SXR-50M-FF |
| 211 | 2 2-3/16 55mm | 131343 | F4B-SXR-200L | @ | F4B-SXR-200L-FF |
| | | 131130 | F4B-SXR-203 | @ | F4B-SXR-203-FF |
| | | 125674 | F4B-SXR-55M | @ | F4B-SXR-55M-FF |
| 212 | 2-1/4 2-7/16 60mm | 131132 | F4B-SXR-204 | @ | F4B-SXR-204-FF |
| | | 131135 | F4B-SXR-207 | @ | F4B-SXR-207-FF |
| | | 125675 | F4B-SXR-60M | @ | F4B-SXR-60M-FF |
| 215 | 2-15/16 75mm | 131137 | F4B-SXR-215 | @ | F4B-SXR-215-FF |
| | | 125676 | F4B-SXR-75M | @ | F4B-SXR-75M-FF |

@ Assembled to order

| | | | |
|--------------------------------|---------------------------|------------------------|--------------------------------|
| FEATURES/BENEFITS PAGE B4-2 | NOMENCLATURE PAGE B4-4 | SELECTION PAGE B4-5 | RELATED PRODUCTS PAGE B4-85 |
|--------------------------------|---------------------------|------------------------|--------------------------------|

SELECTION/DIMENSIONS



Eccentric Collar Ball Bearings SXR NORMAL DUTY 4-BOLT FLANGE BEARINGS

Bearing Quick Reference

E-Z KLEEN

GRIP TIGHT Adapter Ball Bearing

Set Screw Ball Bearing

Eccentric Collar Ball Bearing

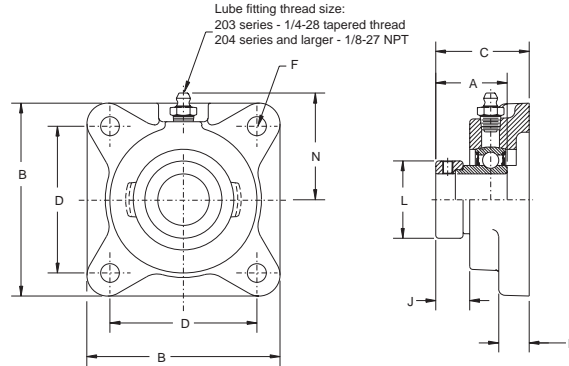
| Series | Shaft Size | Weight lbs kg | A | B | C | D | F Bolt Dia. | H | J | L | N |
|--------|------------|---------------------|---------|-------|---------|-------|-------------|-------|---------|--------|---------|
| 208 | 1-1/2 | 5.1 | 2-7/32 | 5-1/8 | 2-21/64 | 4 | 1/2 | 21/32 | 25/32 | 2-3/8 | 2-19/32 |
| | 40mm | 2.3 | 56.4 | 130.2 | 59.1 | 101.6 | M12 | 16.7 | 19.8 | 60.3 | 65.9 |
| 209 | 1-5/8 | 6.4 | 2-7/32 | 5-3/8 | 2-1/32 | 4-1/8 | 1/2 | 21/32 | 25/32 | 2-1/2 | 2-45/64 |
| | 1-11/16 | 6.2 | | | | | | | | | |
| | 1-3/4 | 6.0 | | | | | | | | | |
| 210 | 45mm | 2.7 | 56.4 | 136.5 | 57.9 | 104.8 | M12 | 16.7 | 19.8 | 64.1 | 68.7 |
| | 1-15/16 | 7.0 | 2-15/32 | 5-5/8 | 2-19/32 | 4-3/8 | 5/8 | 25/32 | 53/64 | 2-3/4 | 2-51/64 |
| | 2 | 6.8 | 62.7 | 142.9 | 65.9 | 111.1 | M16 | 19.8 | 21.0 | 69.9 | 71.0 |
| 211 | 50mm | 3.1 | 62.7 | 142.9 | 65.9 | 111.1 | M16 | 19.8 | 21.0 | 69.9 | 71.0 |
| | 2 | 10.2 | 2-13/16 | 6-3/8 | 2-15/16 | 5-1/8 | 5/8 | 13/16 | 1-1/32 | 3 | 3-9/64 |
| 212 | 2-3/16 | 9.7 | 71.4 | 161.9 | 74.6 | 130.2 | M16 | 20.6 | 26.2 | 76.2 | 79.8 |
| | 55mm | 4.4 | 71.4 | 161.9 | 74.6 | 130.2 | M16 | 20.6 | 26.2 | 76.2 | 79.8 |
| 215 | 2-1/4 | 11.8 | 3-1/16 | 6-7/8 | 3-3/16 | 5-5/8 | 5/8 | 13/16 | 1-3/32 | 3-5/16 | 3-15/64 |
| | 2-7/16 | 11.3 | 77.8 | 174.6 | 81.0 | 142.9 | M16 | 20.6 | 27.8 | 84.1 | 82.2 |
| 215 | 60mm | 6.0 | 77.8 | 174.6 | 81.0 | 142.9 | M16 | 20.6 | 27.8 | 84.1 | 82.2 |
| | 2-15/16 | 18.2 | 3-5/8 | 7-3/4 | 3-25/32 | 6 | 3/4 | 15/16 | 1-19/64 | 4 | 3-45/64 |
| | 75mm | 8.2 | 92.1 | 196.9 | 96.0 | 152.4 | M16 | 23.8 | 32.9 | 101.6 | 94.1 |

| | | | |
|--------------------------------|---------------------------|------------------------|--------------------------------|
| FEATURES/BENEFITS PAGE B4-2 | NOMENCLATURE PAGE B4-4 | SELECTION PAGE B4-5 | RELATED PRODUCTS PAGE B4-85 |
|--------------------------------|---------------------------|------------------------|--------------------------------|

SELECTION/DIMENSIONS



Eccentric Collar Ball Bearings SXV INTERMEDIATE DUTY 4-BOLT FLANGE BEARINGS



| Series | Shaft Size | Standard | |
|--------|------------|---------------|--------------|
| | | Part No. | Description |
| 203 | 1/2 | 130332 | F4B-SXV-008 |
| | 5/8 | 130333 | F4B-SXV-010 |
| | 17mm | 125720 | F4B-SXV-17M |
| 204 | 3/4 | 131377 | F4B-SXV-012 |
| | 20mm | 125721 | F4B-SXV-20M |
| 205 | 7/8 | 131378 | F4B-SXV-014 |
| | 15/16 | 131379 | F4B-SXV-015 |
| | 1 | 131380 | F4B-SXV-100 |
| | 25mm | 125722 | F4B-SXV-25M |
| 206 | 1-1/16 | 131381 | F4B-SXV-101 |
| | 1-1/8 | 131382 | F4B-SXV-102 |
| | 1-3/16 | 131383 | F4B-SXV-103 |
| | 1-1/4 | 131384 | F4B-SXV-104S |
| | 30mm | 125723 | F4B-SXV-30M |
| 207 | 1-1/4 | 131385 | F4B-SXV-104 |
| | 1-5/16 | 131386 | F4B-SXV-105 |
| | 1-3/8 | 131387 | F4B-SXV-106 |
| | 1-7/16 | 131388 | F4B-SXV-107 |
| | 35mm | 125724 | F4B-SXV-35M |
| 208 | 1-1/2 | 131389 | F4B-SXV-108 |
| | 40mm | 125725 | F4B-SXV-40M |
| 209 | 1-11/16 | 130334 | F4B-SXV-111 |
| | 1-3/4 | 130335 | F4B-SXV-112 |
| | 45mm | 125726 | F4B-SXV-45M |
| 210 | 1-15/16 | 130336 | F4B-SXV-115 |
| | 2 | 130337 | F4B-SXV-200 |
| | 50mm | 125727 | F4B-SXV-50M |
| 211 | 2 | 130338 | F4B-SXV-200L |
| | 2-3/16 | 130339 | F4B-SXV-203 |
| | 55mm | 125728 | F4B-SXV-55M |

FEATURES/BENEFITS
PAGE B4-2

NOMENCLATURE
PAGE B4-4

SELECTION
PAGE B4-5

RELATED PRODUCTS
PAGE B4-85

SELECTION/DIMENSIONS



Bearing Quick Reference

E-Z KLEEN

GRIP TIGHT Adapter Ball Bearing

Set Screw Ball Bearing

Eccentric Collar Ball Bearing

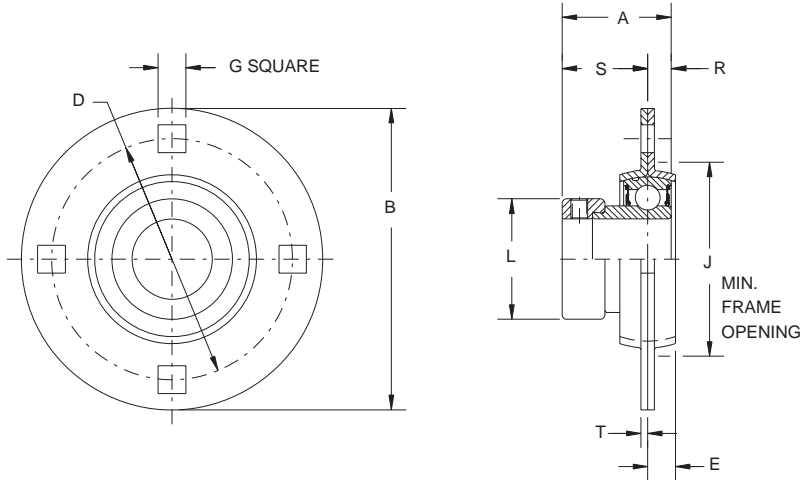
| Series | Shaft Size | Weight lbs kg | A | B | C | D | F Bolt Dia. | H | J | L | N |
|--------|------------|---------------------|---------|-------|---------|-------|-------------------|-------|-------|--------|---------|
| 203 | 1/2 | 1.1 | 1-1/8 | 3 | 1-3/16 | 2-1/8 | 3/8 | 7/16 | 9/16 | 1-1/8 | 1-11/16 |
| | 5/8 | 1.0 | | | | | | | | | |
| | 17mm | 0.5 | 28.6 | 76.2 | 30.2 | 54.0 | M10 | 11.1 | 14.3 | 28.6 | 43.3 |
| 204 | 3/4 | 1.7 | 1-7/32 | 3-3/8 | 1-3/8 | 2-1/2 | 3/8 | 7/16 | 37/64 | 1-5/16 | 1-15/16 |
| | 20mm | 0.7 | 31.0 | 85.7 | 34.9 | 63.5 | M10 | 11.1 | 14.7 | 33.3 | 49.7 |
| 205 | 7/8 | 2.3 | 1-7/32 | 3-3/4 | 1-23/64 | 2-3/4 | 7/16 | 1/2 | 35/64 | 1-1/2 | 2-1/16 |
| | 15/16 | 2.2 | | | | | | | | | |
| | 1 | 2.0 | | | | | | | | | |
| | 25mm | 0.9 | 31.0 | 95.3 | 34.5 | 69.9 | M10 | 12.7 | 13.9 | 38.1 | 52.4 |
| 206 | 1-1/16 | 3.4 | 1-13/32 | 4-1/4 | 1-17/32 | 3-1/4 | 7/16 | 1/2 | 39/64 | 1-3/4 | 2-3/16 |
| | 1-1/8 | 3.3 | | | | | | | | | |
| | 1-3/16 | 3.2 | | | | | | | | | |
| | 1-1/4 | 3.0 | | | | | | | | | |
| | 30mm | 1.4 | 35.7 | 108.0 | 38.9 | 82.6 | M10 | 12.7 | 15.5 | 44.5 | 55.6 |
| 207 | 1-1/4 | 4.6 | 1-17/32 | 4-3/4 | 1-7/8 | 3-5/8 | 1/2 | 9/16 | 21/32 | 2-1/8 | 2-7/16 |
| | 1-5/16 | 4.5 | | | | | | | | | |
| | 1-3/8 | 4.3 | | | | | | | | | |
| | 1-7/16 | 4.2 | | | | | | | | | |
| | 35mm | 1.9 | 38.9 | 120.7 | 47.6 | 92.1 | M12 | 14.3 | 16.7 | 54.0 | 61.9 |
| 208 | 1-1/2 | 5.0 | 1-23/32 | 5-1/8 | 2-1/16 | 4 | 1/2 | 9/16 | 23/32 | 2-3/8 | 2-3/8 |
| | 40mm | 2.2 | 43.7 | 130.2 | 52.4 | 101.6 | M12 | 14.3 | 18.3 | 60.3 | 60.9 |
| 209 | 1-11/16 | 6.2 | 1-23/32 | 5-3/8 | 2-1/8 | 4-1/8 | 1/2 | 5/8 | 11/16 | 2-1/2 | 2-3/4 |
| | 1-3/4 | 6.0 | | | | | | | | | |
| | 45mm | 2.7 | 43.7 | 136.5 | 53.9 | 104.8 | M14 | 15.9 | 17.5 | 63.5 | 70.5 |
| 210 | 1-15/16 | 7.0 | 1-23/32 | 5-5/8 | 2-1/8 | 4-3/8 | 1/2 | 5/8 | 21/32 | 2-3/4 | 2-7/8 |
| | 2 | 6.8 | | | | | | | | | |
| | 50mm | 3.0 | 43.7 | 142.9 | 53.9 | 111.1 | M16 | 15.9 | 16.7 | 69.9 | 73.7 |
| 211 | 2 | 10.0 | 1-29/32 | 6-1/2 | 2-5/32 | 5-1/8 | 5/8 | 11/16 | 25/32 | 3 | 3-1/4 |
| | 2-3/16 | 9.7 | | | | | | | | | |
| | 55mm | 4.3 | 48.4 | 165.1 | 54.8 | 130.2 | M16 | 17.5 | 19.8 | 76.2 | 83.3 |

| | | | |
|--------------------------------|---------------------------|------------------------|--------------------------------|
| FEATURES/BENEFITS PAGE B4-2 | NOMENCLATURE PAGE B4-4 | SELECTION PAGE B4-5 | RELATED PRODUCTS PAGE B4-85 |
|--------------------------------|---------------------------|------------------------|--------------------------------|

SELECTION/DIMENSIONS



Eccentric Collar Ball Bearings SLX LIGHT DUTY 4-BOLT FLANGE BEARINGS



| Series | Shaft Size | Standard | |
|--------|------------|---------------|--------------|
| | | Part No. | Description |
| 208 | 1-1/2 | 128192 | F4B-SLX-108 |
| | 40mm | @ | F4B-SLX-40M |
| 210 | 1-15/16 | 128193 | F4B-SLX-115 |
| | 2 | 128194 | F4B-SLX-200 |
| | 50mm | @ | F4B-SLX-50M |
| 211 | 2 | 128195 | F4B-SLX-200L |
| | 2-3/16 | 128196 | F4B-SLX-203 |
| | 55mm | @ | F4B-SLX-55M |

@ Assembled to order

| | | | |
|--------------------------------|---------------------------|------------------------|--------------------------------|
| FEATURES/BENEFITS PAGE B4-2 | NOMENCLATURE PAGE B4-4 | SELECTION PAGE B4-5 | RELATED PRODUCTS PAGE B4-85 |
|--------------------------------|---------------------------|------------------------|--------------------------------|

SELECTION/DIMENSIONS



Eccentric Collar Ball Bearings SLX LIGHT DUTY 4-BOLT FLANGE BEARINGS

Bearing Quick Reference

E-Z KLEEN

GRIP TIGHT Adapter Ball Bearing

Set Screw Ball Bearing

Eccentric Collar Ball Bearing

| Series | Shaft Size | Weight lbs kg | A | B | D | E | G* | J | L | R | S | T | Housing Radial Load Rating (lbs) |
|--------|----------------|---------------------|---------|---------|---------|-------|-------|--------|-------|-------|--------|------|--|
| 208 | 1-1/2 | 3.00 | 1-23/32 | 5-13/16 | 4-11/16 | 13/32 | 17/32 | 3-9/16 | 2-3/8 | 7/16 | 1-9/32 | .134 | 1,700 |
| | 40mm | 1.38 | 43.7 | 147.6 | 119.1 | 10.3 | 13.5 | 90.5 | 60.3 | 11.1 | 32.5 | 3.4 | 7,556 |
| 210 | 1-15/16 | 3.55 | 1-23/32 | 6-1/8 | 5 | 7/16 | 17/32 | 4 | 2-3/4 | 7/16 | 1-9/32 | .149 | 1,900 |
| | 2 50mm | 3.40 1.63 | 43.7 | 155.6 | 127.0 | 11.1 | 13.5 | 101.6 | 69.9 | 11.1 | 32.75 | 3.8 | 8,444 |
| 211 | 2 | 4.64 | 1-29/32 | 6-9/16 | 5-7/16 | 15/32 | 17/32 | 4-7/16 | 3 | 15/32 | 1-7/16 | .149 | 2,300 |
| | 2-3/16 55mm | 4.35 2.14 | 48.4 | 166.7 | 138.1 | 11.9 | 13.5 | 112.7 | 76.2 | 11.9 | 36.5 | 3.8 | 10,222 |

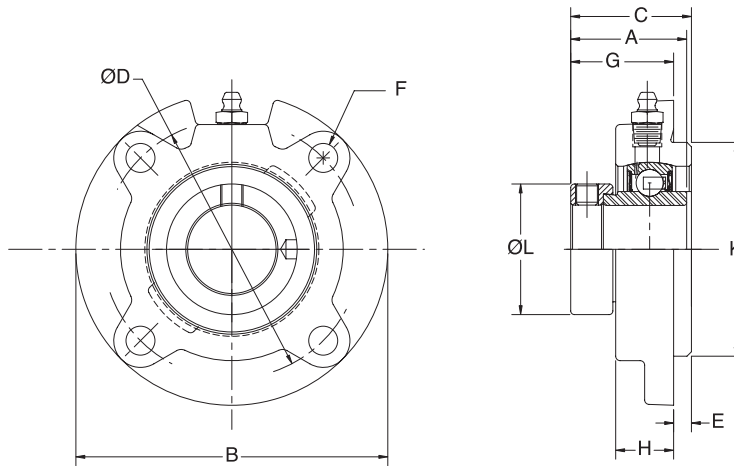
*Mounting bolt holes will accept carriage or machine bolts.

| | | | |
|--------------------------------|---------------------------|------------------------|--------------------------------|
| FEATURES/BENEFITS PAGE B4-2 | NOMENCLATURE PAGE B4-4 | SELECTION PAGE B4-5 | RELATED PRODUCTS PAGE B4-85 |
|--------------------------------|---------------------------|------------------------|--------------------------------|

SELECTION/DIMENSIONS



Eccentric Collar Ball Bearings SXR NORMAL DUTY PILOTED FLANGE BEARINGS



| Series | Shaft Size | Standard | |
|--------|------------|---------------|-------------|
| | | Part No. | Description |
| 206 | 1-1/16 | @ | FC-SXR-101 |
| | 1-1/8 | @ | FC-SXR-102 |
| | 1-3/16 | @ | FC-SXR-103 |
| | 1-1/4 | 068092 | FC-SXR-104S |
| | 30mm | 130838 | FC-SXR-30M |
| 207 | 1-1/4 | 062899 | FC-SXR-104 |
| | 1-5/16 | @ | FC-SXR-105 |
| | 1-3/8 | @ | FC-SXR-106 |
| | 1-7/16 | 064762 | FC-SXR-107 |
| | 35mm | 130839 | FC-SXR-35M |
| 208 | 1-1/2 | 049950 | FC-SXR-108 |
| | 1-5/8 | | |
| | 40mm | 130840 | FC-SXR-40M |
| 209 | 1-5/8 | @ | FC-SXR-110 |
| | 1-11/16 | 049470 | FC-SXR-111 |
| | 1-3/4 | 065666 | FC-SXR-112 |
| | 45mm | 130841 | FC-SXR-45M |
| 210 | 1-15/16 | 064178 | FC-SXR-115 |
| | 2 | 064096 | FC-SXR-200 |
| | 50mm | 130842 | FC-SXR-50M |
| 211 | 2 | 052959 | FC-SXR-200L |
| | 2-3/16 | 049884 | FC-SXR-203 |
| | 55mm | 065555 | FC-SXR-55M |
| 212 | 2-1/4 | @ | FC-SXR-204 |
| | 2-7/16 | 052567 | FC-SXR-207 |
| | 60mm | 130843 | FC-SXR-60M |

@ Assembled to order

| | | | |
|--------------------------------|---------------------------|------------------------|--------------------------------|
| FEATURES/BENEFITS PAGE B4-2 | NOMENCLATURE PAGE B4-4 | SELECTION PAGE B4-5 | RELATED PRODUCTS PAGE B4-85 |
|--------------------------------|---------------------------|------------------------|--------------------------------|

SELECTION/DIMENSIONS



Eccentric Collar Ball Bearings SXR NORMAL DUTY PILOTED FLANGE BEARINGS

| Series | Shaft Size | Weight lbs kg | A | B | C | D | E | F Bolt Dia. | G | H | K* | L |
|--------|------------|---------------------|---------|-------|---------|-------|-------|-------------------|---------|-------|-------|--------|
| 206 | 1-1/16 | 3.4 | 1-29/32 | 4-3/8 | 1-25/32 | 3-5/8 | 1/4 | 3/8 | 1-17/32 | 13/16 | 3 | 1-3/4 |
| | 1-1/8 | 3.4 | | | | | | | | | | |
| | 1-3/16 | 3.2 | | | | | | | | | | |
| | 1-1/4 | 3.1 | 48.4 | 111.1 | 45.2 | 92.1 | 6.4 | M10 | 38.9 | 20.6 | 76.2 | 44.5 |
| | 30mm | 1.4 | | | | | | | | | | |
| 207 | 1-1/4 | 4.6 | 2-1/64 | 5 | 2 | 4-1/8 | 3/8 | 3/8 | 1-41/64 | 27/32 | 3-3/8 | 2-1/8 |
| | 1-5/16 | 4.5 | | | | | | | | | | |
| | 1-3/8 | 4.3 | | | | | | | | | | |
| | 1-7/16 | 4.2 | 51.2 | 127.0 | 51.0 | 104.8 | 9.5 | M10 | 41.5 | 21.4 | 85.7 | 54.0 |
| | 35mm | 1.9 | | | | | | | | | | |
| 208 | 1-1/2 | 5.1 | 2-7/32 | 5-1/4 | 2-11/64 | 4-3/8 | 7/16 | 7/16 | 1-47/64 | 57/64 | 3-5/8 | 2-3/8 |
| | 1-5/8 | 5.1 | | | | | | | | | | |
| | 40mm | 2.2 | | | | | | | | | | |
| 209 | 1-5/8 | 6.1 | 2-7/32 | 5-3/4 | 2-1/64 | 4-3/4 | 7/16 | 1/2 | 1-45/64 | 29/32 | 4 | 2-1/2 |
| | 1-11/16 | 5.9 | | | | | | | | | | |
| | 1-3/4 | 5.9 | | | | | | | | | | |
| | 45mm | 2.6 | 56.4 | 146.1 | 54.4 | 120.7 | 11.1 | M12 | 43.3 | 23.0 | 101.6 | 63.5 |
| 210 | 1-15/16 | 7.1 | 2-15/32 | 6-1/8 | 2-19/64 | 5-1/8 | 15/32 | 1/2 | 1-53/64 | 59/64 | 4-1/4 | 2-3/4 |
| | 2 | 6.9 | | | | | | | | | | |
| | 50mm | 3.2 | | | | | | | | | | |
| 211 | 2 | 8.4 | 2-13/16 | 6-3/8 | 2-23/32 | 5-3/8 | 5/8 | 1/2 | 2-3/32 | 1 | 4-1/2 | 3 |
| | 2-3/16 | 8.1 | | | | | | | | | | |
| | 55mm | 3.7 | | | | | | | | | | |
| 212 | 2-1/4 | 10.7 | 3-1/16 | 7-1/8 | 2-63/64 | 6 | 7/8 | 1/2 | 2-7/64 | 1 | 5 | 3-5/16 |
| | 2-7/16 | 10.5 | | | | | | | | | | |
| | 60mm | 4.9 | | | | | | | | | | |

* +0.000" -0.002"

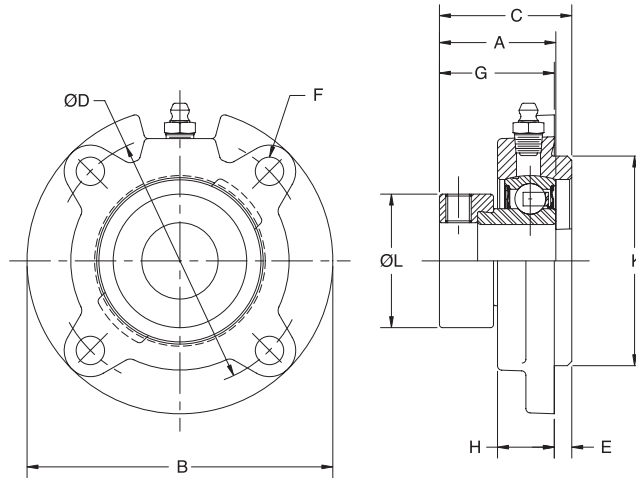
* +0.00 -0.05mm

| | | | |
|--------------------------------|---------------------------|------------------------|--------------------------------|
| FEATURES/BENEFITS PAGE B4-2 | NOMENCLATURE PAGE B4-4 | SELECTION PAGE B4-5 | RELATED PRODUCTS PAGE B4-85 |
|--------------------------------|---------------------------|------------------------|--------------------------------|

SELECTION/DIMENSIONS



Eccentric Collar Ball Bearings SXV INTERMEDIATE DUTY PILOTED FLANGE BEARINGS



| Series | Shaft Size | Standard | |
|--------|------------|---------------|-------------------|
| | | Part No. | Description |
| 206 | 1-1/16 | @ | FC-SXV-101 |
| | 1-1/8 | @ | FC-SXV-102 |
| | 1-3/16 | @ | FC-SXV-103 |
| | 1-1/4 | @ | FC-SXV-104S |
| | 30mm | 130788 | <i>FC-SXV-30M</i> |
| 207 | 1-1/4 | @ | FC-SXV-104 |
| | 1-5/16 | @ | FC-SXV-105 |
| | 1-3/8 | @ | FC-SXV-106 |
| | 1-7/16 | 062337 | FC-SXV-107 |
| | 35mm | 130789 | <i>FC-SXV-35M</i> |
| 208 | 1-1/2 | @ | FC-SXV-108 |
| | 40mm | 130790 | <i>FC-SXV-40M</i> |
| 209 | 1-11/16 | 062339 | FC-SXV-111 |
| | 1-3/4 | @ | FC-SXV-112 |
| | 45mm | 130791 | <i>FC-SXV-45M</i> |
| 210 | 1-15/16 | @ | FC-SXV-115 |
| | 2 | @ | FC-SXV-200 |
| | 50mm | 130792 | <i>FC-SXV-50M</i> |
| 211 | 2 | @ | FC-SXV-200L |
| | 2-3/16 | @ | FC-SXV-203 |
| | 55mm | @ | <i>FC-SXV-55M</i> |

@ Assembled to order

| | | | |
|--------------------------------|---------------------------|------------------------|--------------------------------|
| FEATURES/BENEFITS PAGE B4-2 | NOMENCLATURE PAGE B4-4 | SELECTION PAGE B4-5 | RELATED PRODUCTS PAGE B4-85 |
|--------------------------------|---------------------------|------------------------|--------------------------------|

SELECTION/DIMENSIONS



Eccentric Collar Ball Bearings SXV INTERMEDIATE DUTY PILOTED FLANGE BEARINGS

Bearing Quick Reference

E-Z KLEEN

GRIP TIGHT Adapter Ball Bearing

Set Screw Ball Bearing

Eccentric Collar Ball Bearing

| Series | Shaft Size | Weight lbs kg | A | B | C | D | E | F Bolt Dia. | G | H | K* | L |
|--------|------------|---------------------|---------|-------|---------|-------|-------|-------------------|---------|-------|-------|-------|
| 206 | 1-1/16 | 3.2 | 1-13/32 | 4-3/8 | 1-41/64 | 3-5/8 | 1/4 | 3/8 | 1-25/64 | 13/16 | 3 | 1-3/4 |
| | 1-1/8 | 3.1 | | | | | | | | | | |
| | 1-3/16 | 3.0 | | | | | | | | | | |
| | 1-1/4 | 2.9 | | | | | | | | | | |
| 207 | 30mm | 1.3 | 35.7 | 111.1 | 41.8 | 92.1 | 6.4 | M10 | 35.5 | 20.6 | 76.2 | 44.5 |
| | 1-1/4 | 4.2 | 1-17/32 | 5 | 1-57/64 | 4-1/8 | 3/8 | 3/8 | 1-33/64 | 27/32 | 3-3/8 | 2-1/8 |
| | 1-5/16 | 4.1 | | | | | | | | | | |
| | 1-3/8 | 4.0 | | | | | | | | | | |
| | 1-7/16 | 3.9 | | | | | | | | | | |
| 208 | 35mm | 1.8 | 38.9 | 127.0 | 48.0 | 104.8 | 9.5 | M10 | 38.5 | 21.4 | 85.7 | 54.0 |
| | 1-1/2 | 4.6 | 1-23/32 | 5-1/4 | 2-5/64 | 4-3/8 | 7/16 | 7/16 | 1-41/64 | 57/64 | 3-5/8 | 2-3/8 |
| 209 | 40mm | 2.0 | 43.7 | 133.4 | 52.9 | 111.1 | 11.1 | M12 | 41.8 | 22.6 | 92.1 | 60.3 |
| | 1-11/16 | 5.5 | 1-23/32 | 5-3/4 | 2-3/64 | 4-3/4 | 7/16 | 1/2 | 1-39/64 | 29/32 | 4 | 2-1/2 |
| 210 | 1-3/4 | 5.4 | | | | | | | | | | |
| | 45mm | 2.4 | 43.7 | 146.1 | 52.1 | 120.7 | 11.1 | M12 | 41.0 | 23.0 | 101.6 | 63.5 |
| | 1-15/16 | 6.4 | 1-23/32 | 6-1/8 | 2-5/64 | 5-1/8 | 15/32 | 1/2 | 1-39/64 | 59/64 | 4-1/4 | 2-3/4 |
| 211 | 2 | 6.3 | | | | | | | | | | |
| | 50mm | 2.9 | 43.7 | 155.6 | 52.9 | 130.2 | 11.9 | M12 | 41.0 | 23.4 | 108.0 | 69.9 |
| | 2 | 7.3 | 1-29/32 | 6-3/8 | 2-7/16 | 5-3/8 | 5/8 | 1/2 | 1-13/16 | 1 | 4-1/2 | 3 |
| 211 | 2-3/16 | 7.2 | | | | | | | | | | |
| | 55mm | 3.3 | 48.4 | 161.9 | 61.9 | 136.5 | 15.9 | M12 | 46.1 | 25.4 | 114.3 | 76.2 |

* +0.000" -0.002"

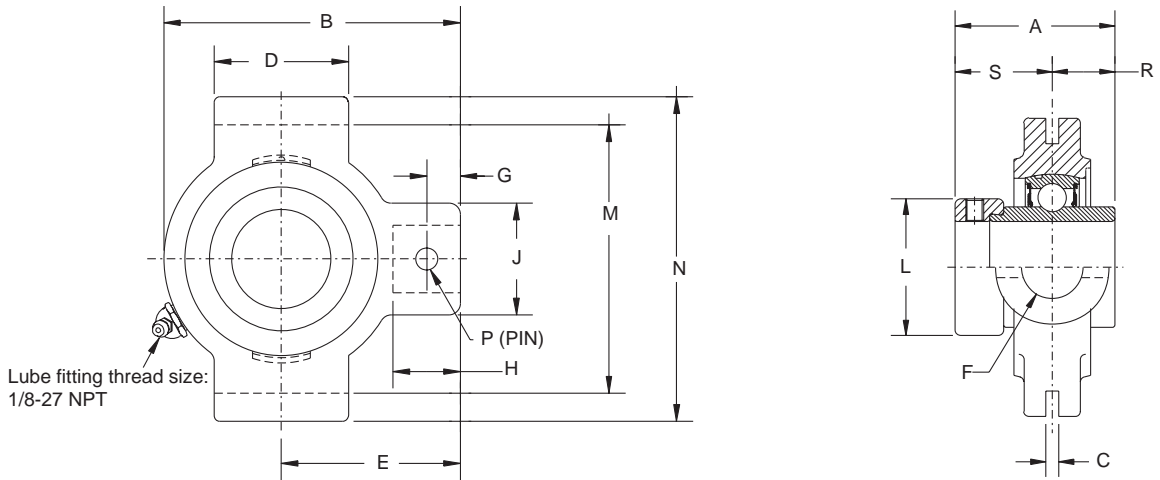
* +0.00 -0.05mm

| | | | |
|--------------------------------|---------------------------|------------------------|--------------------------------|
| FEATURES/BENEFITS PAGE B4-2 | NOMENCLATURE PAGE B4-4 | SELECTION PAGE B4-5 | RELATED PRODUCTS PAGE B4-85 |
|--------------------------------|---------------------------|------------------------|--------------------------------|

SELECTION/DIMENSIONS



Eccentric Collar Ball Bearings SXR NORMAL DUTY NARROW SLOT TAKE-UP BEARINGS



| Series | Shaft Size | Standard | |
|--------|------------|---------------|---------------|
| | | Part No. | Description |
| 204 | 3/4 | 131154 | NSTU-SXR-012 |
| 205 | 7/8 | 131156 | NSTU-SXR-014 |
| | 15/16 | 131157 | NSTU-SXR-015 |
| | 1 | 131158 | NSTU-SXR-100 |
| 206 | 1-1/16 | 131159 | NSTU-SXR-101 |
| | 1-1/8 | 131160 | NSTU-SXR-102 |
| | 1-3/16 | 131161 | NSTU-SXR-103 |
| | 1-1/4 | @ | NSTU-SXR-104S |
| 207 | 1-1/4 | 131163 | NSTU-SXR-104 |
| | 1-5/16 | 131164 | NSTU-SXR-105 |
| | 1-3/8 | 131165 | NSTU-SXR-106 |
| | 1-7/16 | 131166 | NSTU-SXR-107 |
| 208 | 1-1/2 | 131167 | NSTU-SXR-108 |
| 209 | 1-5/8 | 131170 | NSTU-SXR-110 |
| | 1-11/16 | 131171 | NSTU-SXR-111 |
| | 1-3/4 | 131172 | NSTU-SXR-112 |
| 210 | 1-15/16 | 131175 | NSTU-SXR-115 |
| | 2 | 131177 | NSTU-SXR-200 |
| 211 | 2 | @ | NSTU-SXR-200L |
| | 2-3/16 | 131180 | NSTU-SXR-203 |
| 212 | 2-1/4 | 131182 | NSTU-SXR-204 |
| | 2-7/16 | 131185 | NSTU-SXR-207 |

@ Assembled to order

| | | | |
|--------------------------------|---------------------------|------------------------|--------------------------------|
| FEATURES/BENEFITS PAGE B4-2 | NOMENCLATURE PAGE B4-4 | SELECTION PAGE B4-5 | RELATED PRODUCTS PAGE B4-85 |
|--------------------------------|---------------------------|------------------------|--------------------------------|

SELECTION/DIMENSIONS



Eccentric Collar Ball Bearings SXR NORMAL DUTY NARROW SLOT TAKE-UP BEARINGS

Bearing Quick Reference

E-Z KLEEN

GRIP TIGHT Adapter Ball Bearing

Set Screw Ball Bearing

Eccentric Collar Ball Bearing

| Series | Shaft Size | Weight lbs | Take-Up Frame Size | A | B | C* | D | E | F Screw Dia. | G | H | J | L | M# | N | P Pin Dia. | R | S |
|--------|------------|------------|--------------------|---------|---------|------|-------|---------|--------------|-------|--------|-------|--------|---------|-------|------------|--------|---------|
| 204 | 3/4 | 1.5 | NS210 | 1-23/32 | 3-1/2 | 1/4 | 1-1/2 | 2-3/16 | 3/4 | 7/16 | 7/8 | 1-3/8 | 1-5/16 | 2-5/8 | 3-1/8 | 5/16 | 43/64 | 1-3/64 |
| 205 | 7/8 | 1.7 | NS210 | 1-3/4 | 3-9/16 | 1/4 | 1-1/2 | 2-3/16 | 3/4 | 7/16 | 7/8 | 1-3/8 | 1-1/2 | 2-5/8 | 3-1/8 | 5/16 | 11/16 | 1-1/16 |
| | 15/16 | 1.6 | | | | | | | | | | | | | | | | |
| | 1 | 1.5 | | | | | | | | | | | | | | | | |
| 206 | 1-1/16 | 2.9 | NS308 | 1-29/32 | 4-5/16 | 1/4 | 2-1/2 | 2-11/16 | 3/4 | 1/2 | 15/16 | 1-3/8 | 1-3/4 | 3-1/2 | 4-1/8 | 5/16 | 23/32 | 1-3/16 |
| | 1-1/8 | 2.8 | | | | | | | | | | | | | | | | |
| | 1-3/16 | 2.6 | | | | | | | | | | | | | | | | |
| | 1-1/4 | 2.5 | | | | | | | | | | | | | | | | |
| 207 | 1-1/4 | 3.0 | NS308 | 2-1/64 | 4-1/2 | 1/4 | 2-1/2 | 2-11/16 | 3/4 | 1/2 | 15/16 | 1-3/8 | 2-1/8 | 3-1/2 | 4-1/8 | 5/16 | 47/64 | 1-9/32 |
| | 1-5/16 | 2.8 | | | | | | | | | | | | | | | | |
| | 1-3/8 | 2.7 | | | | | | | | | | | | | | | | |
| | 1-7/16 | 2.5 | | | | | | | | | | | | | | | | |
| 208 | 1-1/2 | 5.0 | NS400 | 2-7/32 | 5-3/8 | 5/16 | 3 | 3-1/4 | 7/8 | 21/32 | 1-5/32 | 1-5/8 | 2-3/8 | 4 | 4-3/4 | 3/8 | 27/32 | 1-3/8 |
| | 1-5/8 | 5.4 | | | | | | | | | | | | | | | | |
| 209 | 1-11/16 | 5.2 | NS400 | 2-7/32 | 5-7/16 | 5/16 | 3 | 3-1/4 | 7/8 | 23/32 | 1-7/32 | 1-5/8 | 2-1/2 | 4 | 4-3/4 | 3/8 | 27/32 | 1-3/8 |
| | 1-3/4 | 5.0 | | | | | | | | | | | | | | | | |
| 210 | 1-15/16 | 5.7 | NS400 | 2-15/32 | 5-1/2 | 5/16 | 3 | 3-1/4 | 7/8 | 21/32 | 1-5/32 | 1-5/8 | 2-3/4 | 4 | 4-3/4 | 3/8 | 31/32 | 1-1/2 |
| | 2 | 5.3 | | | | | | | | | | | | | | | | |
| 211 | 2 | 7.4 | NS407 | 2-13/16 | 6-1/8 | 5/16 | 3-1/2 | 3-5/8 | 1 | 11/16 | 1-9/32 | 1-3/4 | 3 | 4-7/16 | 5-3/8 | 7/16 | 1-3/32 | 1-23/32 |
| | 2-3/16 | 7.2 | | | | | | | | | | | | | | | | |
| 212 | 2-1/4 | 10.0 | NS415 | 3-1/16 | 6-11/16 | 5/16 | 3-3/4 | 3-7/8 | 1 | 11/16 | 1-9/32 | 1-5/8 | 3-5/16 | 4-15/16 | 5-3/4 | 7/16 | 1-7/32 | 1-27/32 |
| | 2-7/16 | 9.0 | | | | | | | | | | | | | | | | |

* + or -.015"

+.010, -.020"

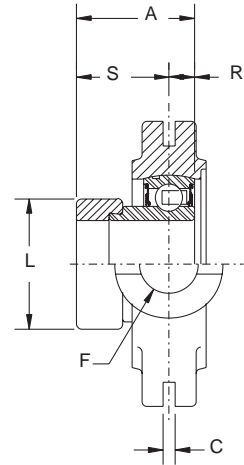
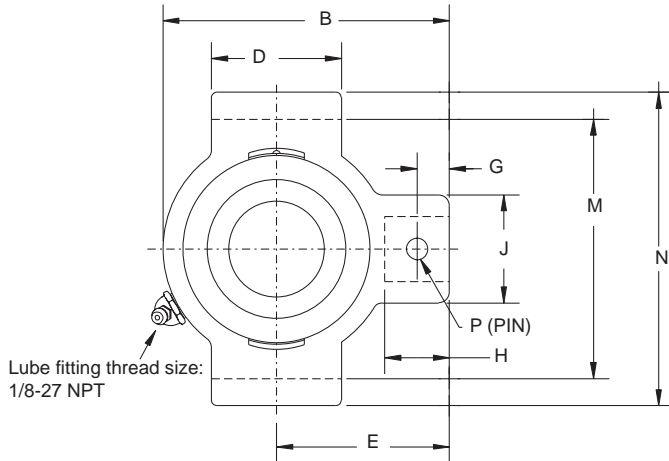
| | | | |
|--------------------------------|---------------------------|------------------------|--------------------------------|
| FEATURES/BENEFITS PAGE B4-2 | NOMENCLATURE PAGE B4-4 | SELECTION PAGE B4-5 | RELATED PRODUCTS PAGE B4-85 |
|--------------------------------|---------------------------|------------------------|--------------------------------|

SELECTION/DIMENSIONS

DODGE®



Eccentric Collar Ball Bearings SXV INTERMEDIATE DUTY NARROW SLOT TAKE-UP BEARINGS



| Series | Shaft Size | Standard | |
|--------|------------|---------------|---------------|
| | | Part No. | Description |
| 204 | 3/4 | 131186 | NSTU-SXV-012 |
| 205 | 7/8 | 131187 | NSTU-SXV-014 |
| | 15/16 | 131188 | NSTU-SXV-015 |
| | 1 | 131189 | NSTU-SXV-100 |
| 206 | 1-1/16 | 131190 | NSTU-SXV-101 |
| | 1-1/8 | 131191 | NSTU-SXV-102 |
| | 1-3/16 | 131192 | NSTU-SXV-103 |
| | 1-1/4 | 131193 | NSTU-SXV-104S |
| 207 | 1-1/4 | 131194 | NSTU-SXV-104 |
| | 1-5/16 | 131195 | NSTU-SXV-105 |
| | 1-3/8 | 131196 | NSTU-SXV-106 |
| | 1-7/16 | 131197 | NSTU-SXV-107 |
| 208 | 1-1/2 | 131198 | NSTU-SXV-108 |
| 209 | 1-11/16 | 130340 | NSTU-SXV-111 |
| | 1-3/4 | 130341 | NSTU-SXV-112 |
| 210 | 1-15/16 | 130342 | NSTU-SXV-115 |
| | 2 | 130343 | NSTU-SXV-200 |
| 211 | 2 | 130344 | NSTU-SXV-200L |
| | 2-3/16 | 130345 | NSTU-SXV-203 |

FEATURES/BENEFITS
PAGE B4-2

NOMENCLATURE
PAGE B4-4

SELECTION
PAGE B4-5

RELATED PRODUCTS
PAGE B4-85

SELECTION/DIMENSIONS



Eccentric Collar Ball Bearings SXV INTERMEDIATE DUTY NARROW SLOT TAKE-UP BEARINGS

| Series | Shaft Size | Weight lbs | Take-Up Frame Size | A | B | C* | D | E | F Screw Dia. | G | H | J | L | M# | N | P Pin Dia. | R | S |
|--------|------------|------------|--------------------|---------|--------|------|-------|---------|--------------|-------|--------|-------|--------|--------|-------|------------|-------|--------|
| 204 | 3/4 | 1.3 | NS210 | 1-7/32 | 3-1/2 | 1/4 | 1-1/2 | 2-3/16 | 3/4 | 7/16 | 7/8 | 1-3/8 | 1-5/16 | 2-5/8 | 3-1/8 | 5/16 | 19/64 | 59/64 |
| 205 | 7/8 | 1.7 | NS210 | 1-7/32 | 3-9/16 | 1/4 | 1-1/2 | 2-3/16 | 3/4 | 7/16 | 7/8 | 1-3/8 | 1-1/2 | 2-5/8 | 3-1/8 | 5/16 | 19/64 | 59/64 |
| | 15/16 | 1.6 | | | | | | | | | | | | | | | | |
| | 1 | 1.5 | | | | | | | | | | | | | | | | |
| 206 | 1-1/16 | 2.9 | NS308 | 1-13/32 | 4-5/16 | 1/4 | 2-1/2 | 2-11/16 | 3/4 | 1/2 | 15/16 | 1-3/8 | 1-3/4 | 3-1/2 | 4-1/8 | 5/16 | 23/64 | 1-3/64 |
| | 1-1/8 | 2.8 | | | | | | | | | | | | | | | | |
| | 1-3/16 | 2.6 | | | | | | | | | | | | | | | | |
| | 1-1/4 | 2.5 | | | | | | | | | | | | | | | | |
| 207 | 1-1/4 | 2.8 | NS308 | 1-17/32 | 4-1/2 | 1/4 | 2-1/2 | 2-11/16 | 3/4 | 1/2 | 15/16 | 1-3/8 | 2-1/8 | 3-1/2 | 4-1/8 | 5/16 | 3/8 | 1-5/32 |
| | 1-5/16 | 2.7 | | | | | | | | | | | | | | | | |
| | 1-3/8 | 2.6 | | | | | | | | | | | | | | | | |
| | 1-7/16 | 2.5 | | | | | | | | | | | | | | | | |
| 208 | 1-1/2 | 4.7 | NS400 | 1-23/32 | 5-3/8 | 5/16 | 3 | 3-1/4 | 7/8 | 21/32 | 1-5/32 | 1-5/8 | 2-3/8 | 4 | 4-3/4 | 3/8 | 7/16 | 1-9/32 |
| 209 | 1-11/16 | 4.8 | NS400 | 1-23/32 | 5-7/16 | 5/16 | 3 | 3-1/4 | 7/8 | 23/32 | 1-7/32 | 1-5/8 | 2-1/2 | 4 | 4-3/4 | 3/8 | 7/16 | 1-9/32 |
| | 1-3/4 | 4.7 | | | | | | | | | | | | | | | | |
| 210 | 1-15/16 | 4.9 | NS400 | 1-23/32 | 5-1/2 | 5/16 | 3 | 3-1/4 | 7/8 | 21/32 | 1-5/32 | 1-5/8 | 2-3/4 | 4 | 4-3/4 | 3/8 | 7/16 | 1-9/32 |
| | 2 | 4.8 | | | | | | | | | | | | | | | | |
| 211 | 2 | 6.8 | NS407 | 1-29/32 | 6-1/8 | 5/16 | 3-1/2 | 3-5/8 | 1 | 11/16 | 1-9/32 | 1-3/4 | 3 | 4-7/16 | 5-3/8 | 7/16 | 15/32 | 1-7/16 |
| | 2-3/16 | 6.8 | | | | | | | | | | | | | | | | |

* + or -.015"

+.010, -.020"

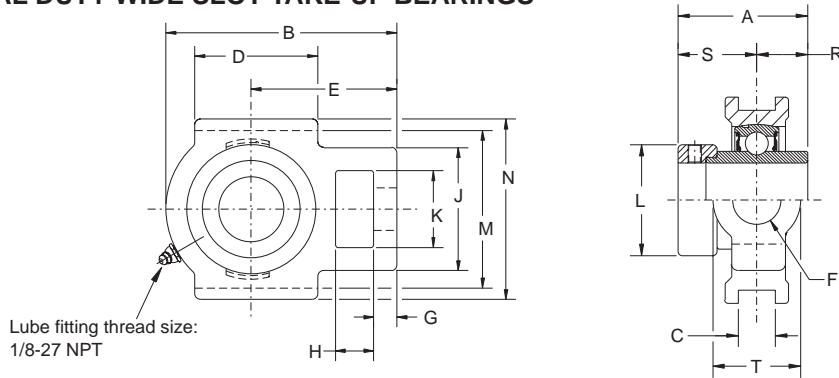
| | | | |
|--------------------------------|---------------------------|------------------------|--------------------------------|
| FEATURES/BENEFITS PAGE B4-2 | NOMENCLATURE PAGE B4-4 | SELECTION PAGE B4-5 | RELATED PRODUCTS PAGE B4-85 |
|--------------------------------|---------------------------|------------------------|--------------------------------|

SELECTION/DIMENSIONS

DODGE®



Eccentric Collar Ball Bearings SXR NORMAL DUTY WIDE SLOT TAKE-UP BEARINGS



| Series | Shaft Size | Standard | | No Lube/Sealed for Life (-NL) | |
|--------|------------|---------------|---------------|-------------------------------|------------------|
| | | Part No. | Description | Part No. | Description |
| 204 | 3/4 | 131204 | WSTU-SXR-012 | @ | WSTU-SXR-012-NL |
| | 20mm | 130845 | WSTU-SXR-20M | @ | WSTU-SXR-20M-NL |
| 205 | 7/8 | 131206 | WSTU-SXR-014 | 068471 | WSTU-SXR-014-NL |
| | 15/16 | 131207 | WSTU-SXR-015 | @ | WSTU-SXR-015-NL |
| | 1 | 131208 | WSTU-SXR-100 | @ | WSTU-SXR-100-NL |
| | 25mm | 130846 | WSTU-SXR-25M | @ | WSTU-SXR-25M-NL |
| 206 | 1-1/16 | 131209 | WSTU-SXR-101 | @ | WSTU-SXR-101-NL |
| | 1-1/8 | 131210 | WSTU-SXR-102 | @ | WSTU-SXR-102-NL |
| | 1-3/16 | 131211 | WSTU-SXR-103 | 065634 | WSTU-SXR-103-NL |
| | 1-1/4 | @ | WSTU-SXR-104S | @ | WSTU-SXR-104S-NL |
| | 30mm | 130847 | WSTU-SXR-30M | @ | WSTU-SXR-30M-NL |
| 207 | 1-1/4 | 131213 | WSTU-SXR-104 | 068471 | WSTU-SXR-104-NL |
| | 1-5/16 | 131214 | WSTU-SXR-105 | @ | WSTU-SXR-105-NL |
| | 1-3/8 | 131215 | WSTU-SXR-106 | @ | WSTU-SXR-106-NL |
| | 1-7/16 | 131216 | WSTU-SXR-107 | 051606 | WSTU-SXR-107-NL |
| | 35mm | 130848 | WSTU-SXR-35M | @ | WSTU-SXR-35M-NL |
| 208 | 1-1/2 | 131217 | WSTU-SXR-108 | 058996 | WSTU-SXR-108-NL |
| | 40mm | 130849 | WSTU-SXR-40M | @ | WSTU-SXR-40M-NL |
| 209 | 1-5/8 | 131220 | WSTU-SXR-110 | @ | WSTU-SXR-110-NL |
| | 1-11/16 | 131221 | WSTU-SXR-111 | @ | WSTU-SXR-111-NL |
| | 1-3/4 | 131222 | WSTU-SXR-112 | @ | WSTU-SXR-112-NL |
| | 45mm | 130850 | WSTU-SXR-45M | @ | WSTU-SXR-45M-NL |
| 210 | 1-15/16 | 131225 | WSTU-SXR-115 | @ | WSTU-SXR-115-NL |
| | 2 | 131227 | WSTU-SXR-200 | 049845 | WSTU-SXR-200-NL |
| | 50mm | 130851 | WSTU-SXR-50M | @ | WSTU-SXR-50M-NL |
| 211 | 2 | @ | WSTU-SXR-200L | @ | WSTU-SXR-200L-NL |
| | 2-3/16 | 131230 | WSTU-SXR-203 | @ | WSTU-SXR-203-NL |
| | 55mm | 130852 | WSTU-SXR-55M | @ | WSTU-SXR-55M-NL |
| 212 | 2-1/4 | 131232 | WSTU-SXR-204 | @ | WSTU-SXR-204-NL |
| | 2-7/16 | 131235 | WSTU-SXR-207 | 052045 | WSTU-SXR-207-NL |
| | 60mm | 130853 | WSTU-SXR-60M | @ | WSTU-SXR-60M-NL |
| 215 | 2-15/16 | 049385 | WSTU-SXR-215 | @ | WSTU-SXR-215-NL |
| | 75mm | 130854 | WSTU-SXR-75M | @ | WSTU-SXR-75M-NL |

@ Assembled to order

| | | | |
|--------------------------------|---------------------------|------------------------|--------------------------------|
| FEATURES/BENEFITS PAGE B4-2 | NOMENCLATURE PAGE B4-4 | SELECTION PAGE B4-5 | RELATED PRODUCTS PAGE B4-85 |
|--------------------------------|---------------------------|------------------------|--------------------------------|

SELECTION/DIMENSIONS



Eccentric Collar Ball Bearings SXR NORMAL DUTY WIDE SLOT TAKE-UP BEARINGS

| Series | Shaft Size | Weight lbs kg | Take-Up Frame Size | A | B | C* | D | E | F Screw Dia. | G | H | J | K | L | M# | N | R | S | T |
|--------|-----------------------------------|--------------------------|--------------------------|-----------------|------------------|------------------|----------------|----------------|--------------------|---------------|---------------|---------------|-----------------|-----------------|----------------|------------------|------------------|-----------------|-----------------|
| 204 | 3/4 20mm | 2.1 1.0 | WS300 | 1-23/32 43.7 | 3-11/16 93.7 | 17/32 13.5 | 2 50.8 | 2-3/8 60.3 | 5/8 15.9 | 3/8 9.5 | 5/8 15.9 | 2 50.8 | 1-1/4 31.8 | 1-5/16 33.3 | 3 76.2 | 3-5/8 92.1 | 43/64 17.1 | 1-3/64 26.6 | 1-3/8 34.9 |
| | 7/8 15/16 1 25mm | 2.3 2.2 2.1 1.0 | | WS300 | 1-3/4 44.5 | 3-13/16 96.8 | 17/32 13.5 | 2 50.8 | 2-7/16 61.9 | 5/8 15.9 | 3/8 9.5 | 5/8 15.9 | 2 50.8 | 1-5/16 33.3 | 1-1/2 38.1 | 3 76.2 | 3-5/8 92.1 | 11/16 17.5 | 1-1/16 27.0 |
| 206 | 1-1/16 | 3.1 | WS308 | | 1-29/32 48.4 | 4-3/8 111.1 | 17/32 13.5 | 2-1/4 57.2 | 2-3/4 69.9 | 3/4 19.1 | 3/8 9.5 | 5/8 15.9 | 2-3/16 55.6 | 1-7/16 36.5 | 1-3/4 44.5 | 3-1/2 88.9 | 4-1/8 104.8 | 23/32 18.3 | 1-3/16 30.2 |
| | 1-1/8 | 2.9 | | | | | | | | | | | | | | | | | |
| | 1-3/16 | 2.8 | | | | | | | | | | | | | | | | | |
| | 1-1/4 30mm | 2.7 1.3 | | | | | | | | | | | | | | | | | |
| 207 | 1-1/4 | 3.8 | WS308 | 2-1/64 52.3 | 4-7/8 123.8 | 17/32 13.5 | 2-1/2 63.5 | 3-1/16 77.8 | 3/4 19.1 | 1/2 12.7 | 5/8 15.9 | 2-1/2 63.5 | 1-7/16 36.5 | 2-1/8 54.0 | 3-1/2 88.9 | 4-1/8 104.8 | 47/64 18.8 | 1-9/32 32.4 | 1-5/8 41.3 |
| | 1-5/16 | 3.7 | | | | | | | | | | | | | | | | | |
| | 1-3/8 | 3.6 | | | | | | | | | | | | | | | | | |
| | 1-7/16 35mm | 3.5 1.6 | | | | | | | | | | | | | | | | | |
| 208 | 1-1/2 40mm | 6.2 2.8 | WS400 | 2-7/32 56.4 | 5-11/16 144.5 | 11/16 17.5 | 3-1/4 82.6 | 3-1/2 88.9 | 1 25.4 | 5/8 15.9 | 3/4 19.1 | 3-1/4 82.6 | 1-15/16 49.2 | 2-3/8 60.3 | 4 101.6 | 4-1/2 114.3 | 27/32 21.4 | 1-3/8 34.9 | 1-15/16 49.2 |
| | 1-5/8 1-11/16 1-3/4 45mm | 6.5 6.4 6.3 2.9 | | WS400 | 2-7/32 56.4 | 5-5/8 142.9 | 11/16 17.5 | 3-1/4 82.6 | 3-7/16 87.3 | 1 25.4 | 5/8 15.9 | 3/4 19.1 | 3-1/4 82.6 | 1-15/16 49.2 | 2-1/2 63.5 | 4 101.6 | 4-3/4 120.7 | 27/32 21.4 | 1-3/8 34.9 |
| 210 | 1-15/16 2 50mm | 6.9 6.8 3.1 | WS400 | | 2-15/32 62.7 | 5-13/16 147.6 | 11/16 17.5 | 3-3/8 85.7 | 3-9/16 90.5 | 1 25.4 | 5/8 15.9 | 3/4 19.1 | 3-1/4 82.6 | 1-15/16 49.2 | 2-3/4 69.9 | 4 101.6 | 4-3/4 120.7 | 31/32 24.6 | 1-1/2 38.1 |
| | 2 2-3/16 55mm | 10.3 10.0 4.7 | | WS502 | 2-13/16 71.4 | 6-11/16 169.9 | 1-1/16 27.0 | 3-3/4 95.3 | 4-3/16 106.4 | 1-1/4 31.8 | 3/4 19.1 | 1 25.4 | 4 101.6 | 2-1/2 63.5 | 3 76.2 | 5-1/8 130.2 | 5-7/8 149.2 | 1-3/32 27.8 | 1-23/32 43.7 |
| 212 | 2-1/4 2-7/16 60mm | 13.0 12.8 5.9 | WS502 | | 3-1/16 77.8 | 7-1/2 190.5 | 1-1/16 27.0 | 4 101.6 | 4-11/16 119.1 | 1-1/4 31.8 | 3/4 19.1 | 1-1/4 31.8 | 4 101.6 | 2-1/2 63.5 | 3-5/16 84.1 | 5-1/8 130.2 | 5-7/8 149.2 | 1-7/32 31.0 | 1-27/32 46.8 |
| | 2-15/16 75mm | 21.0 9.6 | | WS515 | 3-5/8 92.1 | 9-1/8 231.8 | 1-1/16 27.0 | 4-3/4 120.7 | 5-1/2 139.7 | 1-1/2 38.1 | 13/16 20.6 | 1-1/4 31.8 | 4-3/8 111.1 | 2-3/4 69.9 | 4 101.6 | 5-15/16 150.8 | 6-11/16 169.9 | 1-15/32 37.3 | 2-5/32 54.8 |

*+ or -.015", + or -.38mm

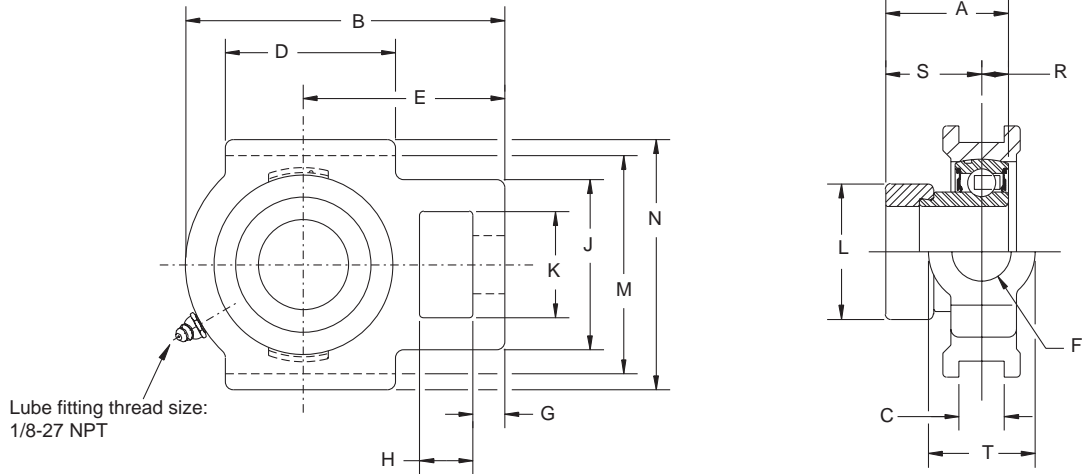
*+ or -.015", + or -.38mm

| | | | |
|--------------------------------|---------------------------|------------------------|--------------------------------|
| FEATURES/BENEFITS PAGE B4-2 | NOMENCLATURE PAGE B4-4 | SELECTION PAGE B4-5 | RELATED PRODUCTS PAGE B4-85 |
|--------------------------------|---------------------------|------------------------|--------------------------------|

SELECTION/DIMENSIONS



Eccentric Collar Ball Bearings SXV INTERMEDIATE DUTY WIDE SLOT TAKE-UP BEARINGS



| Series | Shaft Size | Standard | |
|--------|------------|---------------|---------------|
| | | Part No. | Description |
| 204 | 3/4 | 131238 | WSTU-SXV-012 |
| | 20mm | 130793 | WSTU-SXV-20M |
| 205 | 7/8 | 131239 | WSTU-SXV-014 |
| | 15/16 | 131240 | WSTU-SXV-015 |
| | 1 | 131241 | WSTU-SXV-100 |
| | 25mm | 130794 | WSTU-SXV-25M |
| 206 | 1-1/8 | 131243 | WSTU-SXV-102 |
| | 1-3/16 | 131244 | WSTU-SXV-103 |
| | 1-1/4 | 131245 | WSTU-SXV-104S |
| | 30mm | 130795 | WSTU-SXV-30M |
| 207 | 1-1/4 | 131246 | WSTU-SXV-104 |
| | 1-3/8 | 131248 | WSTU-SXV-106 |
| | 1-7/16 | 131249 | WSTU-SXV-107 |
| | 35mm | 130796 | WSTU-SXV-35M |
| 208 | 1-1/2 | 131250 | WSTU-SXV-108 |
| | 40mm | 130797 | WSTU-SXV-40M |
| 209 | 1-11/16 | 130346 | WSTU-SXV-111 |
| | 1-3/4 | 130347 | WSTU-SXV-112 |
| | 45mm | 130798 | WSTU-SXV-45M |
| 210 | 1-15/16 | 130348 | WSTU-SXV-115 |
| | 2 | 130349 | WSTU-SXV-200 |
| | 50mm | 130799 | WSTU-SXV-50M |
| 211 | 2 | 130350 | WSTU-SXV-200L |
| | 2-3/16 | 130351 | WSTU-SXV-203 |
| | 55mm | @ | WSTU-SXV-55M |

@ Assemble to order

| | | | |
|--------------------------------|---------------------------|------------------------|--------------------------------|
| FEATURES/BENEFITS PAGE B4-2 | NOMENCLATURE PAGE B4-4 | SELECTION PAGE B4-5 | RELATED PRODUCTS PAGE B4-85 |
|--------------------------------|---------------------------|------------------------|--------------------------------|

SELECTION/DIMENSIONS



Eccentric Collar Ball Bearings SXV INTERMEDIATE DUTY WIDE SLOT TAKE-UP BEARINGS

Bearing Quick Reference

E-Z KLEEN

GRIP TIGHT Adapter Ball Bearing

Set Screw Ball Bearing

Eccentric Collar Ball Bearing

| Series | Shaft Size | Weight lbs kg | Take-Up Frame Size | A | B | C* | D | E | F Screw Dia. | G | H | J | K | L | M# | N | R | S | T |
|--------|----------------------------------|--------------------------|--------------------|-----------------|------------------|----------------|---------------|-----------------|---------------|-------------|-------------|----------------|-----------------|----------------|----------------|----------------|---------------|----------------|-----------------|
| 204 | 3/4 20mm | 1.2 0.5 | WS300 | 1-7/32 31.0 | 3-11/16 93.7 | 17/32 13.5 | 2 50.8 | 2-3/8 60.3 | 5/8 15.9 | 3/8 9.5 | 5/8 15.9 | 2 50.8 | 1-1/4 31.8 | 1-5/16 33.3 | 3 76.2 | 3-5/8 92.1 | 19/64 7.5 | 59/64 23.4 | 1-3/8 34.9 |
| | 7/8 15/16 1 25mm | 1.7 1.6 1.5 0.7 | | 1-7/32 31.0 | 3-13/16 96.8 | 17/32 13.5 | 2 50.8 | 2-7/16 61.9 | 5/8 15.9 | 3/8 9.5 | 5/8 15.9 | 2 50.8 | 1-5/16 33.3 | 1-1/2 38.1 | 3 76.2 | 3-5/8 92.1 | 19/64 11.5 | 59/64 19.4 | 1-3/8 34.9 |
| 205 | 1-1/8 1-3/16 1-1/4 30mm | 2.8 2.6 2.5 1.2 | WS308 | 1-13/32 35.7 | 4-3/8 111.1 | 17/32 13.5 | 2-1/4 57.2 | 2-3/4 69.9 | 3/4 19.1 | 3/8 9.5 | 5/8 15.9 | 2-3/16 55.6 | 1-7/16 36.5 | 1-3/4 44.5 | 3-1/2 88.9 | 4-1/8 104.8 | 23/64 9.1 | 1-3/64 26.7 | 1-5/8 41.3 |
| | 1-1/4 1-3/8 1-7/16 35mm | 2.8 2.6 2.5 | | 1-17/32 38.9 | 4-7/8 123.8 | 17/32 13.5 | 2-1/2 63.5 | 3-1/16 77.8 | 3/4 19.1 | 1/2 12.7 | 5/8 15.9 | 2-1/2 63.5 | 1-7/16 36.5 | 2-1/8 54.0 | 3-1/2 88.9 | 4-1/8 104.8 | 3/8 9.5 | 1-5/32 29.4 | 1-5/8 41.3 |
| 206 | 1-1/2 40mm | 4.7 2.2 | WS400 | 1-23/32 43.7 | 5-11/16 144.5 | 11/16 17.5 | 3-1/4 82.6 | 3-1/2 88.9 | 1 25.4 | 5/8 15.9 | 3/4 19.1 | 3-1/4 82.6 | 1-15/16 49.2 | 2-3/8 60.3 | 4 101.6 | 4-1/2 114.3 | 7/16 11.1 | 1-9/32 32.5 | 1-15/16 49.2 |
| | 1-11/16 1-3/4 45mm | 4.8 4.7 2.2 | | 1-23/32 43.7 | 5-5/8 142.9 | 11/16 17.5 | 3-1/4 82.6 | 3-7/16 87.3 | 1 25.4 | 5/8 15.9 | 3/4 19.1 | 3-1/4 82.6 | 1-15/16 49.2 | 2-1/2 63.5 | 4 101.6 | 4-3/4 120.7 | 7/16 11.1 | 1-9/32 32.5 | 1-15/16 49.2 |
| 207 | 1-1/2 40mm | 4.7 2.2 | WS400 | 1-23/32 43.7 | 5-11/16 144.5 | 11/16 17.5 | 3-1/4 82.6 | 3-1/2 88.9 | 1 25.4 | 5/8 15.9 | 3/4 19.1 | 3-1/4 82.6 | 1-15/16 49.2 | 2-3/8 60.3 | 4 101.6 | 4-1/2 114.3 | 7/16 11.1 | 1-9/32 32.5 | 1-15/16 49.2 |
| | 1-11/16 1-3/4 45mm | 4.8 4.7 2.2 | | 1-23/32 43.7 | 5-5/8 142.9 | 11/16 17.5 | 3-1/4 82.6 | 3-7/16 87.3 | 1 25.4 | 5/8 15.9 | 3/4 19.1 | 3-1/4 82.6 | 1-15/16 49.2 | 2-1/2 63.5 | 4 101.6 | 4-3/4 120.7 | 7/16 11.1 | 1-9/32 32.5 | 1-15/16 49.2 |
| 208 | 1-1/2 40mm | 4.7 2.2 | WS400 | 1-23/32 43.7 | 5-11/16 144.5 | 11/16 17.5 | 3-1/4 82.6 | 3-1/2 88.9 | 1 25.4 | 5/8 15.9 | 3/4 19.1 | 3-1/4 82.6 | 1-15/16 49.2 | 2-3/8 60.3 | 4 101.6 | 4-1/2 114.3 | 7/16 11.1 | 1-9/32 32.5 | 1-15/16 49.2 |
| | 1-11/16 1-3/4 45mm | 4.8 4.7 2.2 | | 1-23/32 43.7 | 5-5/8 142.9 | 11/16 17.5 | 3-1/4 82.6 | 3-7/16 87.3 | 1 25.4 | 5/8 15.9 | 3/4 19.1 | 3-1/4 82.6 | 1-15/16 49.2 | 2-1/2 63.5 | 4 101.6 | 4-3/4 120.7 | 7/16 11.1 | 1-9/32 32.5 | 1-15/16 49.2 |
| 209 | 1-15/16 2 50mm | 4.9 4.8 2.2 | WS400 | 1-23/32 43.7 | 5-13/16 147.6 | 11/16 17.5 | 3-3/8 85.7 | 3-9/16 90.5 | 1 25.4 | 5/8 15.9 | 3/4 19.1 | 3-1/4 82.6 | 1-15/16 49.2 | 2-3/4 69.9 | 4 101.6 | 4-3/4 120.7 | 7/16 11.1 | 1-9/32 32.5 | 1-15/16 49.2 |
| | 2 50mm | 4.9 4.8 2.2 | | 1-23/32 43.7 | 5-13/16 147.6 | 11/16 17.5 | 3-3/8 85.7 | 3-9/16 90.5 | 1 25.4 | 5/8 15.9 | 3/4 19.1 | 3-1/4 82.6 | 1-15/16 49.2 | 2-3/4 69.9 | 4 101.6 | 4-3/4 120.7 | 7/16 11.1 | 1-9/32 32.5 | 1-15/16 49.2 |
| 210 | 2 50mm | 6.8 6.6 3.1 | WS502 | 1-29/32 48.4 | 6-11/16 169.9 | 1-1/16 27.0 | 3-3/4 95.3 | 4-3/16 106.4 | 1-1/4 31.8 | 3/4 19.1 | 1 25.4 | 4 101.6 | 2-1/2 63.5 | 3 76.2 | 5-1/8 130.2 | 5-7/8 149.2 | 15/32 11.9 | 1-7/16 36.5 | 2-1/2 63.5 |
| | 2-3/16 55mm | 6.8 6.6 3.1 | | 1-29/32 48.4 | 6-11/16 169.9 | 1-1/16 27.0 | 3-3/4 95.3 | 4-3/16 106.4 | 1-1/4 31.8 | 3/4 19.1 | 1 25.4 | 4 101.6 | 2-1/2 63.5 | 3 76.2 | 5-1/8 130.2 | 5-7/8 149.2 | 15/32 11.9 | 1-7/16 36.5 | 2-1/2 63.5 |

* + or -.015" + or -.38mm

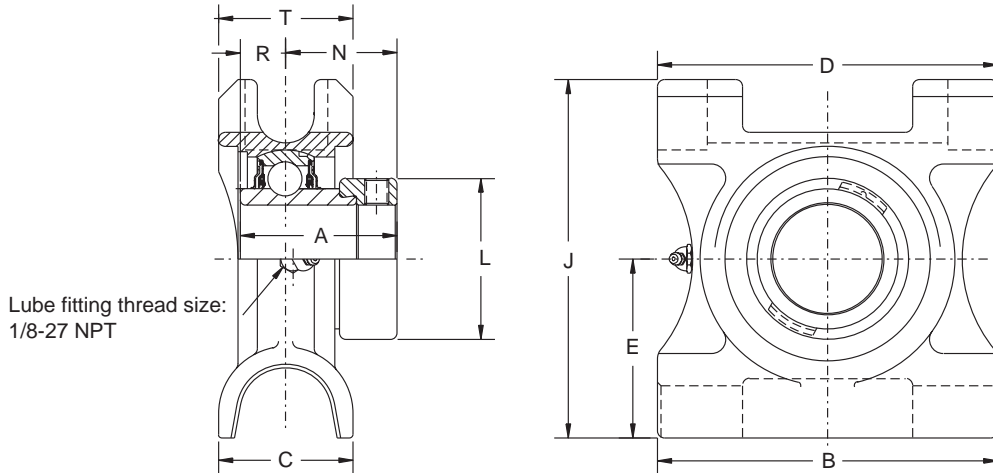
* + or -.015", + or -.38mm"

| | | | |
|--------------------------------|---------------------------|------------------------|--------------------------------|
| FEATURES/BENEFITS PAGE B4-2 | NOMENCLATURE PAGE B4-4 | SELECTION PAGE B4-5 | RELATED PRODUCTS PAGE B4-85 |
|--------------------------------|---------------------------|------------------------|--------------------------------|

SELECTION/DIMENSIONS



Eccentric Collar Ball Bearings TYPE GXR NORMAL DUTY TOP ANGLE TAKE-UP BEARINGS



| Series | Shaft Size | Part No. | Description |
|--------|-----------------|---------------|-------------|
| 210 | 1-15/16 2 | 131536 | TP-GXR-115 |
| | | 131537 | TP-GXR-200 |
| 211 | 2-3/16 | @ | TP-GXR-200L |
| | | 131540 | TP-GXR-203 |
| 212 | 2-1/4 2-7/16 | 131542 | TP-GXR-204 |
| | | 131545 | TP-GXR-207 |
| 215 | 2-15/16 | @ | TP-GXR-215 |

@ Assembled to order

| | | | |
|--------------------------------|---------------------------|------------------------|--------------------------------|
| FEATURES/BENEFITS PAGE B4-2 | NOMENCLATURE PAGE B4-4 | SELECTION PAGE B4-5 | RELATED PRODUCTS PAGE B4-85 |
|--------------------------------|---------------------------|------------------------|--------------------------------|

SELECTION/DIMENSIONS



Eccentric Collar Ball Bearings TYPE GXR NORMAL DUTY TOP ANGLE TAKE-UP BEARINGS

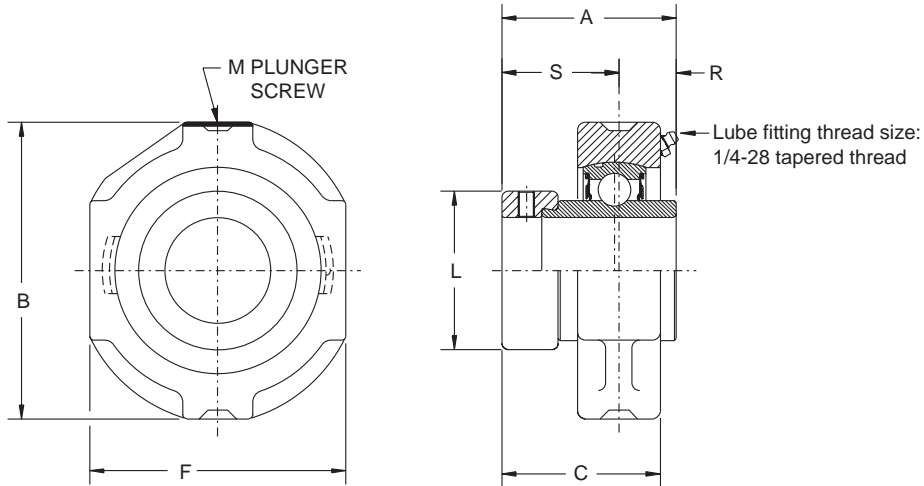
| Series | Shaft Size | Weight lbs | Take-Up Frame Size | A | B | C | D | E | J | L | N | R | T |
|--------|-----------------|--------------|--------------------|---------|-------|-------|-------|-------|--------|--------|---------|---------|-------|
| 210 | 1-15/16 2 | 10.2 10.0 | TP10 | 2-15/32 | 6-1/2 | 2-3/8 | 6 | 3-1/4 | 6-3/8 | 2-3/4 | 1-1/2 | 31/32 | 2-3/8 |
| 211 | 2 2-3/16 | 13.2 13.0 | TP20 | 2-13/16 | 7 | 2-1/2 | 6-3/4 | 3-3/8 | 6-7/8 | 3 | 1-23/32 | 1-3/32 | 2-3/8 |
| 212 | 2-1/4 2-7/16 | 16.2 16.0 | TP30 | 3-1/16 | 7-1/2 | 2-3/4 | 7 | 3-1/2 | 7-7/16 | 3-5/16 | 1-27/32 | 1-7/32 | 2-3/4 |
| 215 | 2-15/16 | 21.8 | TP40 | 3-5/8 | 8-1/2 | 2-1/2 | 8 | 4 | 8-5/16 | 4 | 2-5/32 | 1-15/32 | 2-3/4 |

| | | | |
|--------------------------------|---------------------------|------------------------|--------------------------------|
| FEATURES/BENEFITS PAGE B4-2 | NOMENCLATURE PAGE B4-4 | SELECTION PAGE B4-5 | RELATED PRODUCTS PAGE B4-85 |
|--------------------------------|---------------------------|------------------------|--------------------------------|

SELECTION/DIMENSIONS



Eccentric Collar Ball Bearings SXR NORMAL DUTY HANGER BEARINGS



| Series | Shaft Size | Part No. | Description |
|--------|------------|---------------|--------------|
| 206 | 1-1/16 | 131259 | HNG-SXR-101 |
| | 1-1/8 | 131260 | HNG-SXR-102 |
| | 1-3/16 | 131261 | HNG-SXR-103 |
| | 1-1/4 | @ | HNG-SXR-104S |
| 207 | 1-1/4 | 131263 | HNG-SXR-104 |
| | 1-5/16 | 131264 | HNG-SXR-105 |
| | 1-3/8 | 131265 | HNG-SXR-106 |
| | 1-7/16 | 131266 | HNG-SXR-107 |
| 210 | 1-15/16 | 131275 | HNG-SXR-115 |
| | 2 | 131276 | HNG-SXR-200 |

@ Assembled to order

| | | | |
|--------------------------------|---------------------------|------------------------|--------------------------------|
| FEATURES/BENEFITS PAGE B4-2 | NOMENCLATURE PAGE B4-4 | SELECTION PAGE B4-5 | RELATED PRODUCTS PAGE B4-85 |
|--------------------------------|---------------------------|------------------------|--------------------------------|

SELECTION/DIMENSIONS



Eccentric Collar Ball Bearings SXR NORMAL DUTY HANGER BEARINGS

Bearing Quick Reference

E-Z KLEEN

GRIP TIGHT Adapter Ball Bearing

Set Screw Ball Bearing

Eccentric Collar Ball Bearing

| Series | Shaft Size | Weight lbs | A | B | C | F | L | M | R | S |
|--------|------------|------------|---------|-------|---------|--------|-------|-----|-------|--------|
| 206 | 1-1/16 | 2.0 | 1-29/32 | 3-5/8 | 1-15/32 | 3 | 1-3/4 | 1/2 | 23/32 | 1-3/16 |
| | 1-1/8 | 1.9 | | | | | | | | |
| | 1-3/16 | 1.8 | | | | | | | | |
| | 1-1/4 | 1.7 | | | | | | | | |
| 207 | 1-1/4 | 3.2 | 2-1/64 | 4-1/4 | 1-43/64 | 3-1/2 | 2-1/8 | 1/2 | 47/64 | 1-9/32 |
| | 1-5/16 | 3.0 | | | | | | | | |
| | 1-3/8 | 2.8 | | | | | | | | |
| | 1-7/16 | 2.6 | | | | | | | | |
| 210 | 1-15/16 | 6.2 | 2-15/32 | 5 | 1-31/32 | 4-3/16 | 2-3/4 | 5/8 | 31/32 | 1-1/2 |
| | 2 | 6.0 | | | | | | | | |

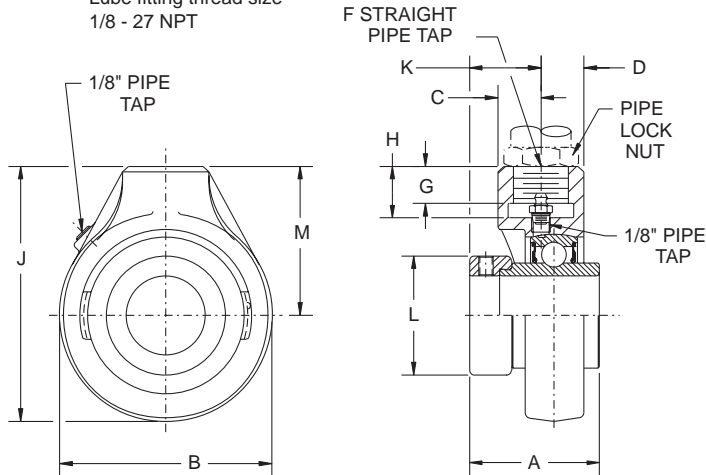
| | | | |
|--------------------------------|---------------------------|------------------------|--------------------------------|
| FEATURES/BENEFITS PAGE B4-2 | NOMENCLATURE PAGE B4-4 | SELECTION PAGE B4-5 | RELATED PRODUCTS PAGE B4-85 |
|--------------------------------|---------------------------|------------------------|--------------------------------|

SELECTION/DIMENSIONS



Eccentric Collar Ball Bearings SXR NORMAL DUTY SCREW CONVEYOR HANGER BEARINGS

Lube fitting thread size -
1/8 - 27 NPT



| Series | Shaft Size | Part No. | Description |
|--------|-----------------|--------------------------------|------------------------------|
| 206 | 1-1/8 | @ | SCHB-SXR-102 |
| 207 | 1-1/4 1-3/8 | @ @ | SCHB-SXR-104 SCHB-SXR-106 |
| 208 | 1-1/2 | 131317 | SCHB-SXR-108 |
| 210 | 1-15/16 2 | 131325 131327 | SCHB-SXR-115 SCHB-SXR-200 |
| 212 | 2-1/4 2-7/16 | @ 131335 | SCHB-SXR-204 SCHB-SXR-207 |

@ Assembled to order

| | | | |
|--------------------------------|---------------------------|------------------------|--------------------------------|
| FEATURES/BENEFITS PAGE B4-2 | NOMENCLATURE PAGE B4-4 | SELECTION PAGE B4-5 | RELATED PRODUCTS PAGE B4-85 |
|--------------------------------|---------------------------|------------------------|--------------------------------|

SELECTION/DIMENSIONS



Eccentric Collar Ball Bearings SXR NORMAL DUTY SCREW CONVEYOR HANGER BEARINGS

Bearing Quick Reference

E-Z KLEEN

GRIP TIGHT Adapter Ball Bearing

Set Screw Ball Bearing

Eccentric Collar Ball Bearing

| Series | Shaft Size | Weight lbs | A | B | C | D | F* (NPSM) | G | H | J | K | L | M |
|--------|-----------------|------------|---------|-------|--------|--------|-------------------|-------|--------|---------|---------|--------|-------|
| 206 | 1-1/8 | 3.1 | 1-29/32 | 3-1/8 | 53/64 | 47/64 | 3/4 - 14 | 3/4 | 15/16 | 4-1/16 | 1-3/16 | 1-3/4 | 2-1/2 |
| 207 | 1-1/4 1-3/8 | 3.7 3.5 | 2-1/64 | 3-7/8 | 53/64 | 53/64 | 3/4 - 14 | 5/8 | 15/16 | 4-11/16 | 19/32 | 2-1/8 | 2-3/4 |
| 208 | 1-1/2 | 4.0 | 2-7/32 | 4 | 53/64 | 53/64 | 3/4 - 14 | 5/8 | 15/16 | 4-7/8 | 1-3/8 | 2-3/8 | 2-7/8 |
| 210 | 1-15/16 2 | 5.5 5.3 | 2-15/32 | 4-5/8 | 15/16 | 7/8 | 1 - 11-1/2 | 13/16 | 1-1/8 | 5-9/16 | 1-1/2 | 2-3/4 | 3-1/4 |
| 212 | 2-1/4 2-7/16 | 9.4 9.2 | 3-1/16 | 5-1/2 | 1-5/32 | 1-5/32 | 1-1/4 - 11-1/2 | 1-1/8 | 1-7/16 | 6-3/4 | 1-27/32 | 3-5/16 | 4 |

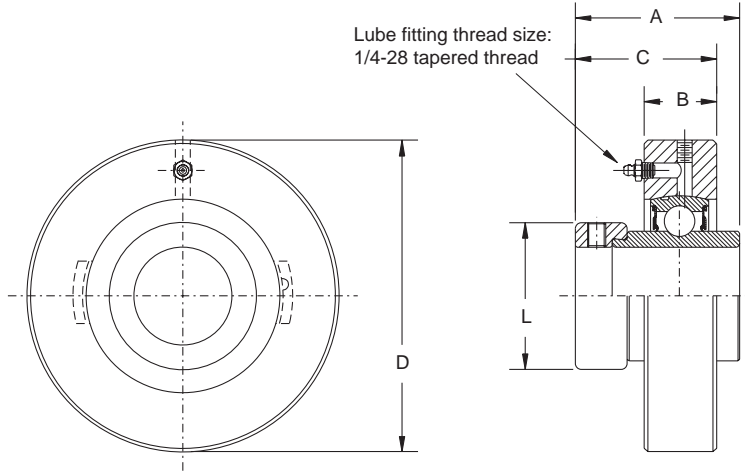
* Use straight thread for the pipe. Bearing can be secured with a heavy locknut.
Pipe plug and lube fitting are factory installed and may be reversed from position shown.
Note: Inserts use the ProGard Plus (-FF) seals.

| | | | |
|--------------------------------|---------------------------|------------------------|--------------------------------|
| FEATURES/BENEFITS PAGE B4-2 | NOMENCLATURE PAGE B4-4 | SELECTION PAGE B4-5 | RELATED PRODUCTS PAGE B4-85 |
|--------------------------------|---------------------------|------------------------|--------------------------------|

SELECTION/DIMENSIONS



Eccentric Collar Ball Bearings SXR NORMAL DUTY CYLINDRICAL UNITS



| Series | Shaft Size | Part No. | Description |
|--------|------------|---------------|--------------|
| 205 | 7/8 | 131356 | CYL-SXR-014 |
| | 15/16 | 131357 | CYL-SXR-015 |
| | 1 | 131358 | CYL-SXR-100 |
| 206 | 1-1/16 | 131359 | CYL-SXR-101 |
| | 1-1/8 | 131360 | CYL-SXR-102 |
| | 1-3/16 | 131361 | CYL-SXR-103 |
| | 1-1/4 | @ | CYL-SXR-104S |
| 207 | 1-1/4 | 131363 | CYL-SXR-104 |
| | 1-5/16 | 131364 | CYL-SXR-105 |
| | 1-3/8 | 131365 | CYL-SXR-106 |
| | 1-7/16 | 131366 | CYL-SXR-107 |

@ Assembled to order

| | | | |
|--------------------------------|---------------------------|------------------------|--------------------------------|
| FEATURES/BENEFITS PAGE B4-2 | NOMENCLATURE PAGE B4-4 | SELECTION PAGE B4-5 | RELATED PRODUCTS PAGE B4-85 |
|--------------------------------|---------------------------|------------------------|--------------------------------|

SELECTION/DIMENSIONS



Eccentric Collar Ball Bearings SXR NORMAL DUTY CYLINDRICAL UNITS

Bearing Quick Reference

E-Z KLEEN

GRIP TIGHT Adapter Ball Bearing

Set Screw Ball Bearing

Eccentric Collar Ball Bearing

| Series | Shaft Size | Weight lbs | A | B | C | D* | L |
|--------|------------|------------|---------|--------|---------|-------|-------|
| 205 | 7/8 | 1.4 | 1-3/4 | 27/32 | 1-15/32 | 3-1/8 | 1-1/2 |
| | 15/16 | 1.3 | | | | | |
| | 1 | 1.2 | | | | | |
| 206 | 1-1/16 | 2.2 | 1-29/32 | 15/16 | 1-5/8 | 3-1/2 | 1-3/4 |
| | 1-1/8 | 2.1 | | | | | |
| | 1-3/16 | 2.0 | | | | | |
| | 1-1/4 | 1.9 | | | | | |
| 207 | 1-1/4 | 2.8 | 2-1/64 | 1-1/16 | 1-25/32 | 3-7/8 | 2-1/8 |
| | 1-5/16 | 2.7 | | | | | |
| | 1-3/8 | 2.6 | | | | | |
| | 1-7/16 | 2.5 | | | | | |

* +.000 -.002

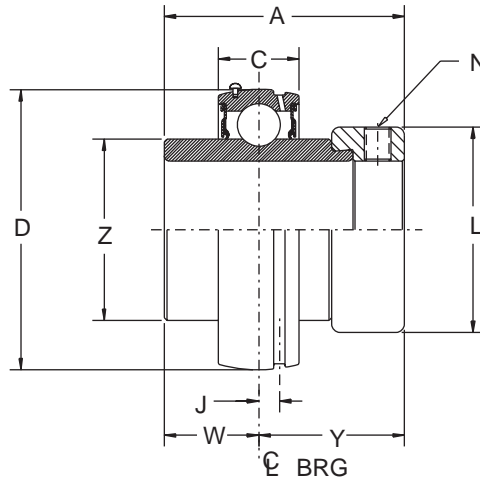
To prevent the housing from rotating in the machine frame, tap a hole on the joint between the housing O. D. and the machine frame bore and lock with a setscrew

| | | | |
|--------------------------------|---------------------------|------------------------|--------------------------------|
| FEATURES/BENEFITS PAGE B4-2 | NOMENCLATURE PAGE B4-4 | SELECTION PAGE B4-5 | RELATED PRODUCTS PAGE B4-85 |
|--------------------------------|---------------------------|------------------------|--------------------------------|

SELECTION/DIMENSIONS



Eccentric Collar Ball Bearings SXR NORMAL DUTY BEARING INSERTS



| Series | Shaft Size | Part No. | Description |
|--------|------------|---------------|--------------|
| 203 | 1/2 | 131900 | INS-SXR-008 |
| | 5/8 | 131902 | INS-SXR-010 |
| | 17mm | 125625 | INS-SXR-17M |
| 204 | 3/4 | 131904 | INS-SXR-012 |
| | 20mm | 125626 | INS-SXR-20M |
| 205 | 7/8 | 131906 | INS-SXR-014 |
| | 15/16 | 131907 | INS-SXR-015 |
| | 1 | 131908 | INS-SXR-100 |
| | 25mm | 125627 | INS-SXR-25M |
| 206 | 1-1/16 | 131909 | INS-SXR-101 |
| | 1-1/8 | 131910 | INS-SXR-102 |
| | 1-3/16 | 131911 | INS-SXR-103 |
| | 1-1/4 | @ | INS-SXR-104S |
| | 30mm | 125628 | INS-SXR-30M |
| 207 | 1-1/4 | 131912 | INS-SXR-104 |
| | 1-5/16 | 131913 | INS-SXR-105 |
| | 1-3/8 | 131914 | INS-SXR-106 |
| | 1-7/16 | 131915 | INS-SXR-107 |
| | 35mm | 125629 | INS-SXR-35M |

| | | | |
|--------------------------------|---------------------------|------------------------|--------------------------------|
| FEATURES/BENEFITS PAGE B4-2 | NOMENCLATURE PAGE B4-4 | SELECTION PAGE B4-5 | RELATED PRODUCTS PAGE B4-85 |
|--------------------------------|---------------------------|------------------------|--------------------------------|

SELECTION/DIMENSIONS



Eccentric Collar Ball Bearings SXR NORMAL DUTY BEARING INSERTS

Bearing Quick Reference

E-Z KLEEN

GRIP TIGHT Adapter Ball Bearing

Set Screw Ball Bearing

Eccentric Collar Ball Bearing

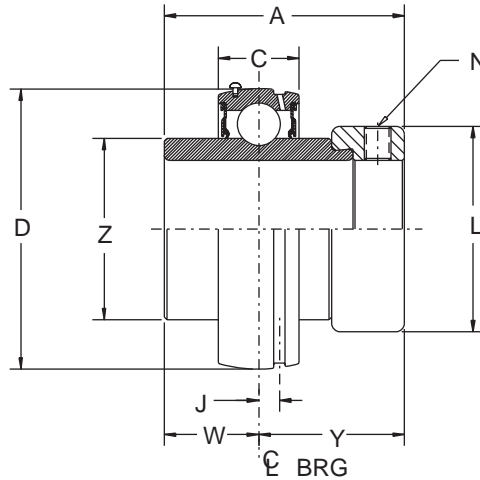
| Series | Shaft Size | Weight lbs. kg | A | C | D | J | L | N | W | Y | Z |
|--------|------------|-------------------|---------|--------|--------|-------|--------|---------|-------|---------|---------|
| 203 | 1/2 | 0.3 | 1-15/32 | 0.5110 | 1.5748 | 0.150 | 1-1/8 | 10-32 | 35/64 | 59/64 | 31/32 |
| | 5/8 | 0.3 | | | | | | | | | |
| | 17mm | 0.1 | 37.3 | 13.0 | 40.0 | 3.8 | 28.6 | M6x1 | 15.2 | 23.4 | 24.3 |
| 204 | 3/4 | 0.5 | 1-23/32 | 0.5906 | 1.8504 | 0.152 | 1-5/16 | 1/4-28 | 43/64 | 1-3/64 | 1-1/8 |
| | 20mm | 0.2 | 43.7 | 15.0 | 47.0 | 3.9 | 33.3 | M6x1 | 17.1 | 26.6 | 28.8 |
| 205 | 7/8 | 0.6 | 1-3/4 | 0.5906 | 2.0472 | 0.152 | 1-1/2 | 1/4-28 | 11/16 | 1-1/16 | 1-21/64 |
| | 15/16 | 0.6 | | | | | | | | | |
| | 1 | 0.5 | | | | | | | | | |
| 206 | 25mm | 0.2 | 44.5 | 15.0 | 52.0 | 3.9 | 38.1 | M6x1 | 17.5 | 27.0 | 33.8 |
| | 1-1/16 | 0.9 | 1-29/32 | 0.7087 | 2.4409 | 0.190 | 1-3/4 | 5/16-24 | 23/32 | 1-3/16 | 1-37/64 |
| | 1-1/8 | 0.9 | | | | | | | | | |
| | 1-3/16 | 0.8 | | | | | | | | | |
| 207 | 1-1/4 | 1.4 | 2-1/64 | 0.7480 | 2.8346 | 0.202 | 2-1/8 | 5/16-24 | 3/4 | 1-17/64 | 1-27/32 |
| | 1-5/16 | 1.3 | | | | | | | | | |
| | 1-3/8 | 1.3 | | | | | | | | | |
| | 1-7/16 | 1.2 | | | | | | | | | |
| | 35mm | 0.6 | 51.2 | 19.0 | 72.0 | 5.1 | 54.0 | M8x1.25 | 18.8 | 32.4 | 46.9 |

| | | | |
|--------------------------------|---------------------------|------------------------|--------------------------------|
| FEATURES/BENEFITS PAGE B4-2 | NOMENCLATURE PAGE B4-4 | SELECTION PAGE B4-5 | RELATED PRODUCTS PAGE B4-85 |
|--------------------------------|---------------------------|------------------------|--------------------------------|

SELECTION/DIMENSIONS



Eccentric Collar Ball Bearings SXR NORMAL DUTY BEARING INSERTS



| Series | Shaft Size | Part No. | Description |
|--------|------------|---------------|--------------|
| 208 | 1-1/2 | 131916 | INS-SXR-108 |
| | 40mm | 125630 | INS-SXR-40M |
| 209 | 1-5/8 | 131918 | INS-SXR-110 |
| | 1-11/16 | 131919 | INS-SXR-111 |
| | 1-3/4 | 131920 | INS-SXR-112 |
| | 45mm | 125631 | INS-SXR-45M |
| 210 | 1-15/16 | 131923 | INS-SXR-115 |
| | 2 | 131924 | INS-SXR-200 |
| | 50mm | 125632 | INS-SXR-50M |
| 211 | 2 | 131934 | INS-SXR-200L |
| | 2-3/16 | 131927 | INS-SXR-203 |
| | 55mm | 125633 | INS-SXR-55M |
| 212 | 2-1/4 | 131928 | INS-SXR-204 |
| | 2-7/16 | 131931 | INS-SXR-207 |
| | 60mm | 125634 | INS-SXR-60M |
| 215 | 2-15/16 | 131933 | INS-SXR-215 |
| | 75mm | 125635 | INS-SXR-75M |

| | | | |
|--------------------------------|---------------------------|------------------------|--------------------------------|
| FEATURES/BENEFITS PAGE B4-2 | NOMENCLATURE PAGE B4-4 | SELECTION PAGE B4-5 | RELATED PRODUCTS PAGE B4-85 |
|--------------------------------|---------------------------|------------------------|--------------------------------|

SELECTION/DIMENSIONS



Eccentric Collar Ball Bearings SXR NORMAL DUTY BEARING INSERTS

Bearing Quick Reference

E-Z KLEEN

GRIP TIGHT Adapter Ball Bearing

Set Screw Ball Bearing

Eccentric Collar Ball Bearing

| Series | Shaft Size | Weight lbs. kg | A | C | D | J | L | N | W | Y | Z |
|--------|------------|-------------------|---------|--------|--------|-------|--------|----------|---------|---------|---------|
| 208 | 1-1/2 | 1.7 | 2-7/32 | 0.8661 | 3.1496 | 0.224 | 2-3/8 | 5/16-24 | 27/32 | 1-3/8 | 2-3/64 |
| | 40mm | 0.8 | 56.4 | 22.0 | 80.0 | 5.7 | 60.3 | M10x1.5 | 21.4 | 34.9 | 52.9 |
| 209 | 1-5/8 | 2.0 | 2-7/32 | 0.8661 | 3.3465 | 0.248 | 2-1/2 | 5/16-24 | 27/32 | 1-3/8 | 2-7/32 |
| | 1-11/16 | 1.9 | | | | | | | | | |
| | 1-3/4 | 1.8 | | | | | | | | | |
| 210 | 45mm | 0.8 | 56.4 | 22.0 | 85.0 | 6.4 | 64.1 | M8x1.25 | 21.4 | 34.9 | 56.4 |
| | 1-15/16 | 2.2 | 2-15/32 | 0.8661 | 3.5433 | 0.248 | 2-3/4 | 3/8-24 | 31/32 | 1-1/2 | 2-7/16 |
| | 2 | 2.0 | | | | | | | | | |
| 211 | 50mm | 1.0 | 62.7 | 22.0 | 90.0 | 6.3 | 69.9 | M10x1.5 | 24.6 | 38.1 | 62.8 |
| | 2 | 3.4 | 2-13/16 | 0.9449 | 3.9370 | 0.267 | 3 | 3/8-24 | 1-3/32 | 1-23/32 | 2-23/32 |
| | 2-3/16 | 2.9 | | | | | | | | | |
| 212 | 55mm | 1.3 | 71.4 | 24.0 | 100.0 | 6.8 | 76.2 | M12x1.75 | 27.8 | 43.7 | 69.1 |
| | 2-1/4 | 3.8 | 3-1/16 | 1.0240 | 4.3307 | 0.250 | 3-5/16 | 7/16-20 | 1-7/32 | 1-27/32 | 2-31/32 |
| | 2-7/16 | 3.5 | | | | | | | | | |
| 215 | 60mm | 1.7 | 77.8 | 26.0 | 110.0 | 6.4 | 84.1 | M12x1.75 | 31.0 | 46.8 | 75.4 |
| | 2-15/16 | 4.5 | 3-5/8 | 1.1420 | 5.1181 | 0.265 | 4 | 7/16-20 | 1-15/32 | 2-5/32 | 3-5/16 |
| | 75mm | 2.0 | 92.1 | 29.0 | 130.0 | 6.7 | 101.6 | M12x1.75 | 37.3 | 54.8 | 84.1 |

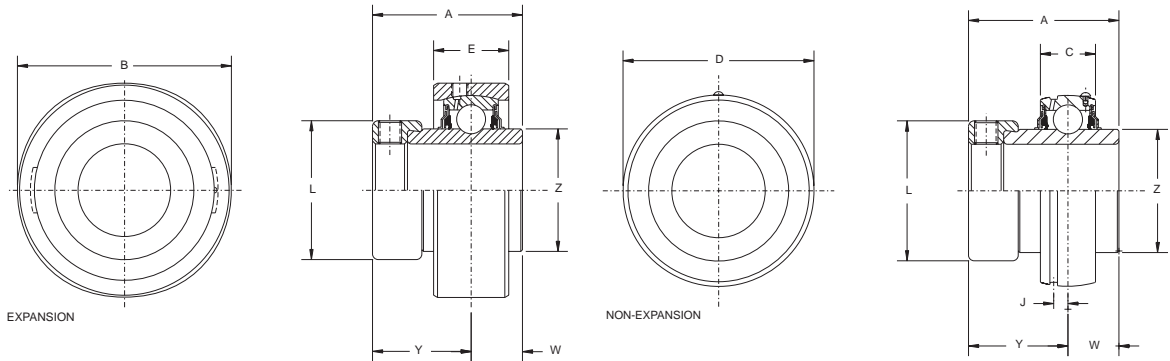
| | | | |
|--------------------------------|---------------------------|------------------------|--------------------------------|
| FEATURES/BENEFITS PAGE B4-2 | NOMENCLATURE PAGE B4-4 | SELECTION PAGE B4-5 | RELATED PRODUCTS PAGE B4-85 |
|--------------------------------|---------------------------|------------------------|--------------------------------|

SELECTION/DIMENSIONS



Eccentric Collar Ball Bearings

SXRH-E EXPANSION AND SXRH NON-EXPANSION NORMAL DUTY BEARING INSERTS



| Series | Shaft Size | Expansion Insert | | Non-Expansion Insert | |
|--------|------------|------------------|-----------------|----------------------|---------------|
| | | Part No. | Description | Part No. | Description |
| 206 | 1-1/16 | 068849 | INS-SXRH-101-E | @ | INS-SXRH-101 |
| | 1-1/8 | @ | INS-SXRH-102-E | @ | INS-SXRH-102 |
| | 1-3/16 | 126475 | INS-SXRH-103-E | 126475 | INS-SXRH-103 |
| | 1-1/4 | @ | INS-SXRH-104S-E | @ | INS-SXRH-104S |
| | 30mm | @ | INS-SXRH-30M-E | @ | INS-SXRH-30M |
| 207 | 1-1/4 | @ | INS-SXRH-104-E | @ | INS-SXRH-104 |
| | 1-5/16 | @ | INS-SXRH-105-E | @ | INS-SXRH-105 |
| | 1-3/8 | @ | INS-SXRH-106-E | @ | INS-SXRH-106 |
| | 1-7/16 | 126476 | INS-SXRH-107-E | 126476 | INS-SXRH-107 |
| | 35mm | @ | INS-SXRH-35M-E | @ | INS-SXRH-35M |
| 209 | 1-5/8 | @ | INS-SXRH-110-E | @ | INS-SXRH-110 |
| | 1-11/16 | @ | INS-SXRH-111-E | @ | INS-SXRH-111 |
| | 1-3/4 | @ | INS-SXRH-112-E | @ | INS-SXRH-112 |
| | 45mm | @ | INS-SXRH-45M-E | @ | INS-SXRH-45M |
| 210 | 1-15/16 | 126477 | INS-SXRH-115-E | 126477 | INS-SXRH-115 |
| | 2 | @ | INS-SXRH-200-E | @ | INS-SXRH-200 |
| | 50mm | @ | INS-SXRH-50M-E | @ | INS-SXRH-50M |
| 211 | 2 | @ | INS-SXRH-200L-E | @ | INS-SXRH-200L |
| | 2-3/16 | 126478 | INS-SXRH-203-E | 126478 | INS-SXRH-203 |
| | 55mm | @ | INS-SXRH-55M-E | @ | INS-SXRH-55M |
| 212 | 2-1/4 | @ | INS-SXRH-204-E | @ | INS-SXRH-204 |
| | 2-7/16 | 126479 | INS-SXRH-207-E | 126479 | INS-SXRH-207 |
| | 60mm | @ | INS-SXRH-60M-E | @ | INS-SXRH-60M |

| | | | |
|--------------------------------|---------------------------|------------------------|--------------------------------|
| FEATURES/BENEFITS PAGE B4-2 | NOMENCLATURE PAGE B4-4 | SELECTION PAGE B4-5 | RELATED PRODUCTS PAGE B4-85 |
|--------------------------------|---------------------------|------------------------|--------------------------------|

SELECTION/DIMENSIONS



Eccentric Collar Ball Bearings

SXRH-E EXPANSION AND SXRH NON-EXPANSION NORMAL DUTY BEARING INSERTS

| Series | Shaft Size | Weight Exp lbs. kg | Weight N.E. lbs. kg | A | B | C | D | E | J | L | N | W | Y | Z |
|--------|------------|--------------------|---------------------|---------|-------|--------|---------|---------|-------|--------|----------|--------|---------|---------|
| 206 | 1-1/16 | 1.51 | 0.91 | 1-29/32 | 2.875 | 0.709 | 2.441 | 15/16 | 0.190 | 1-3/4 | 5/16-24 | 23/32 | 1-3/16 | 1-37/64 |
| | 1-1/8 | 1.49 | 0.89 | | | | | | | | | | | |
| | 1-3/16 | 1.43 | 0.83 | | | | | | | | | | | |
| | 1-1/4 | 1.40 | 0.80 | | | | | | | | | | | |
| | 30mm | 0.65 | 0.38 | 48.4 | 73.0 | 18.0 | 62.0 | 23.8 | 4.8 | 44.5 | M8x1.25 | 18.3 | 30.2 | 40.4 |
| 207 | 1-1/4 | 1.92 | 1.44 | 2-1/64 | 3.272 | 3/4 | 2-5/6 | 1 | .202 | 2-1/8 | 5/16-24 | 47/64 | 1-9/32 | 1-27/32 |
| | 1-5/16 | 1.85 | 1.33 | | | | | | | | | | | |
| | 1-3/8 | 1.82 | 1.26 | | | | | | | | | | | |
| | 1-7/16 | 1.81 | 1.20 | | | | | | | | | | | |
| | 35mm | 0.78 | 0.55 | 51.2 | 83.1 | 19.0 | 72.0 | 25.4 | 5.1 | 54.0 | M8x1.25 | 18.8 | 32.4 | 46.9 |
| 209 | 1-5/8 | 2.97 | 1.98 | 2-7/32 | 3.813 | 13/15 | 3-9/26 | 1-1/4 | .248 | 2-1/2 | 5/16-24 | 27/32 | 1-3/8 | 2-7/32 |
| | 1-11/16 | 2.89 | 1.87 | | | | | | | | | | | |
| | 1-3/4 | 2.89 | 1.82 | | | | | | | | | | | |
| | 45mm | 0.61 | 0.81 | 56.4 | 96.8 | 22.2 | 85.8 | 31.8 | 6.4 | 64.1 | M8x1.25 | 21.4 | 34.9 | 56.4 |
| 210 | 1-15/16 | 3.2 | 2.18 | 2-15/32 | 4.000 | 13/15 | 3-44/81 | 1-13/32 | .248 | 2-3/4 | 3/8-24 | 31/32 | 1-1/2 | 2-7/16 |
| | 2 | 3.12 | 2.03 | | | | | | | | | | | |
| | 50mm | 1.41 | 0.95 | 62.7 | 101.6 | 22.0 | 90.0 | 35.7 | 6.3 | 69.9 | M10x1.5 | 24.6 | 38.1 | 61.9 |
| 211 | 2 | 4.52 | 3.35 | 2-13/16 | 4.475 | 17/18 | 3-15/16 | 1-7/16 | .267 | 3 | 3/8-24 | 1-3/32 | 1-23/32 | 2-23/64 |
| | 2-3/16 | 4.31 | 2.88 | | | | | | | | | | | |
| | 55mm | 1.92 | 1.28 | 71.4 | 113.7 | 24.0 | 100.0 | 36.5 | 6.8 | 76.2 | M12x1.75 | 27.8 | 43.7 | 59.9 |
| 212 | 2-1/4 | 5.46 | 3.78 | 3-1/16 | 5.035 | 1-2/83 | 4-1/3 | 1-5/8 | .250 | 3-5/16 | 7/16-20 | 1-7/32 | 1-27/32 | 2-31/32 |
| | 2-7/16 | 5.46 | 3.45 | | | | | | | | | | | |
| | 60mm | 2.59 | 1.68 | 77.8 | 127.9 | 26.0 | 110.0 | 41.3 | 6.4 | 84.1 | M12x1.75 | 31.0 | 46.8 | 75.4 |

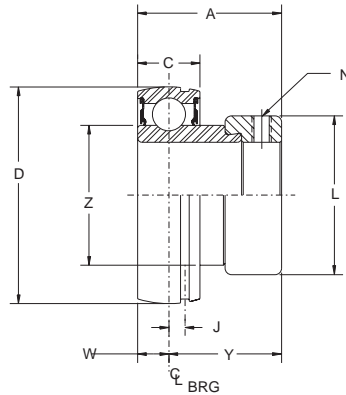
| | | | |
|--------------------------------|---------------------------|------------------------|--------------------------------|
| FEATURES/BENEFITS PAGE B4-2 | NOMENCLATURE PAGE B4-4 | SELECTION PAGE B4-5 | RELATED PRODUCTS PAGE B4-85 |
|--------------------------------|---------------------------|------------------------|--------------------------------|

SELECTION/DIMENSIONS

DODGE®



Eccentric Collar Ball Bearings SXV INTERMEDIATE BEARING INSERTS



| Series | Shaft Size | Part No. | Description |
|--------|------------|---------------|--------------|
| 203 | 1/2 | 130300 | INS-SXV-008 |
| | 5/8 | 130301 | INS-SXV-010 |
| | 17mm | 125644 | INS-SXV-17M |
| 204 | 3/4 | 131435 | INS-SXV-012 |
| | 20mm | 125645 | INS-SXV-20M |
| 205 | 7/8 | 131436 | INS-SXV-014 |
| | 15/16 | 131437 | INS-SXV-015 |
| | 1 | 131438 | INS-SXV-100 |
| | 25mm | 125646 | INS-SXV-25M |
| 206 | 1-1/16 | 131439 | INS-SXV-101 |
| | 1-1/8 | 131440 | INS-SXV-102 |
| | 1-3/16 | 131441 | INS-SXV-103 |
| | 1-1/4 | 131442 | INS-SXV-104S |
| | 30mm | 125647 | INS-SXV-30M |
| 207 | 1-1/4 | 131443 | INS-SXV-104 |
| | 1-5/16 | 131444 | INS-SXV-105 |
| | 1-3/8 | 131445 | INS-SXV-106 |
| | 1-7/16 | 131446 | INS-SXV-107 |
| | 35mm | 125648 | INS-SXV-35M |
| 208 | 1-1/2 | 131447 | INS-SXV-108 |
| | 40mm | 125649 | INS-SXV-40M |
| 209 | 1-11/16 | 130302 | INS-SXV-111 |
| | 1-3/4 | 130303 | INS-SXV-112 |
| | 45mm | 125650 | INS-SXV-45M |
| 210 | 1-15/16 | 130305 | INS-SXV-115 |
| | 2 | 130306 | INS-SXV-200 |
| | 50mm | 125651 | INS-SXV-50M |
| 211 | 2 | 130307 | INS-SXV-200L |
| | 2-3/16 | 130308 | INS-SXV-203 |
| | 55mm | 125652 | INS-SXV-55M |

FEATURES/BENEFITS
PAGE B4-2

NOMENCLATURE
PAGE B4-4

SELECTION
PAGE B4-5

RELATED PRODUCTS
PAGE B4-85

SELECTION/DIMENSIONS



Eccentric Collar Ball Bearings SXV INTERMEDIATE BEARING INSERTS

| Series | Shaft Size | Weight lbs kg | A | C | D | J | L | N | W | Y | Z |
|--------|------------|---------------------|---------|--------|--------|-------|--------|----------|-------|--------|---------|
| 203 | 1/2 | 0.3 | 1-1/8 | 0.5110 | 1.5748 | 0.150 | 1-1/8 | 10-32 | 1/4 | 7/8 | 31/32 |
| | 5/8 | 0.3 | | | | | | | | | |
| | 17mm | 0.1 | 28.6 | 13.0 | 40.0 | 3.8 | 28.6 | M6x1 | 6.4 | 22.2 | 24.6 |
| 204 | 3/4 | 0.3 | 1-7/32 | 0.5906 | 1.8504 | 0.152 | 1-5/16 | 1/4-28 | 19/64 | 59/64 | 1-1/8 |
| | 20mm | 0.1 | 31.0 | 15.0 | 47.0 | 3.9 | 33.3 | M6x1 | 7.5 | 23.4 | 28.6 |
| 205 | 7/8 | 0.5 | 1-7/32 | 0.5906 | 2.0472 | 0.152 | 1-1/2 | 1/4-28 | 19/64 | 59/64 | 1-21/64 |
| | 15/16 | 0.4 | | | | | | | | | |
| | 1 | 0.4 | | | | | | | | | |
| 206 | 25mm | 0.2 | 31.0 | 15.0 | 52.0 | 3.9 | 38.1 | M6x1 | 11.6 | 19.4 | 33.7 |
| | 1-1/16 | 0.7 | 1-13/32 | 0.7087 | 2.4409 | 0.190 | 1-3/4 | 5/16-24 | 23/64 | 1-3/64 | 1-37/64 |
| | 1-1/8 | 0.7 | | | | | | | | | |
| | 1-3/16 | 0.7 | | | | | | | | | |
| 207 | 1-1/4 | 1.2 | 1-17/32 | 0.7480 | 2.8346 | 0.202 | 2-1/8 | 5/16-24 | 3/8 | 1-5/32 | 1-27/32 |
| | 1-5/16 | 1.2 | | | | | | | | | |
| | 1-3/8 | 1.1 | | | | | | | | | |
| | 1-7/16 | 1.1 | | | | | | | | | |
| 208 | 35mm | 0.5 | 38.9 | 19.0 | 72.0 | 5.1 | 54.0 | M8x1.25 | 9.5 | 29.4 | 46.8 |
| | 1-1/2 | 1.8 | 1-23/32 | 0.8661 | 3.1496 | 0.224 | 2-3/8 | 5/16-24 | 7/16 | 1-9/32 | 2-3/64 |
| | 40mm | 0.8 | 43.7 | 22.0 | 80.0 | 5.7 | 60.3 | M10x1.5 | 11.0 | 32.5 | 52.0 |
| 209 | 1-11/16 | 1.9 | 1-23/32 | 0.8661 | 3.3465 | 0.248 | 2-1/2 | 5/16-24 | 7/16 | 1-9/32 | 2-7/32 |
| | 1-3/4 | 1.8 | | | | | | | | | |
| | 45mm | 0.8 | 43.7 | 22.0 | 85.0 | 6.3 | 63.5 | M8x1.25 | 11.0 | 32.5 | 56.4 |
| 210 | 1-15/16 | 2.0 | 1-23/32 | 0.8661 | 3.5433 | 0.248 | 2-3/4 | 3/8-24 | 7/16 | 1-9/32 | 2-7/16 |
| | 2 | 1.9 | | | | | | | | | |
| 211 | 50mm | 0.9 | 43.7 | 22.0 | 90.0 | 6.3 | 69.9 | M10x1.5 | 11.0 | 32.5 | 61.9 |
| | 2 | 2.7 | 1-29/32 | 0.9449 | 3.9370 | 0.267 | 3 | 3/8-24 | 15/32 | 1-7/16 | 2-23/32 |
| | 2-3/16 | 2.5 | | | | | | | | | |
| | 55mm | 1.2 | 48.4 | 24.0 | 100.0 | 6.8 | 76.2 | M12x1.75 | 11.9 | 36.5 | 69.0 |

| | | | |
|--------------------------------|---------------------------|------------------------|--------------------------------|
| FEATURES/BENEFITS PAGE B4-2 | NOMENCLATURE PAGE B4-4 | SELECTION PAGE B4-5 | RELATED PRODUCTS PAGE B4-85 |
|--------------------------------|---------------------------|------------------------|--------------------------------|



Eccentric Collar Ball Bearings

LUBRICANTS

DODGE ball bearings are factory lubricated with a lithium complex base lubricant. For applications where extreme ambient temperatures or speeds are anticipated or environmental considerations require a different lubricant, DODGE has a variety of lubricants available. Special lubricant options usually require set-up charges and premiums.

SEALS

The PROGUARD PLUS seal is a highly effective positive contact, land riding seal designed to meet the requirements for the majority of applications. For extreme contamination or high pressure wash down, flingers can be added to provide additional protection. For high speeds or where seal drag would be an impediment, a labyrinth seal is available.

HIGH TEMPERATURE

DODGE high temperature bearings are designed to operate in temperatures from 225° F (108° C) to 400° F (205° C). The bearings have adjusted internal clearance, labyrinth seals, retainers, and lubricants to meet the temperature needs of the application. To insure proper replacement, the bearing is identified by a six digit part number etched on a stainless steel nameplate riveted to the housing. The part number identifies the specific feature of the bearing. High temperature bearings are factory assembled to order and are available at extra cost. Consult Dodge Engineering for application assistance at (864)284-5700 or fax (864) 281-2317.

AIR HANDLING

Industrial fans and blowers generally operate at high speeds with bearing requirements of long life and quiet operation. Dodge stocks a complete line of SC and SCM air handling ball bearings that are specifically designed to meet the requirements of the Air Handling Industry. However SXR air handling ball bearings in a wide variety of sizes and housing configurations can be supplied on a made/assembled to order basis. These bearings are 100% inspected for quiet operation and are recommended for fan and blower operations.

OTHER MODIFICATIONS

For applications requiring modifications not listed, we encourage you to contact our Customer Order Engineering Department at (864) 284-5700 or fax (864) 281-2317.

| | | | |
|--------------------------------|---------------------------|------------------------|------------------------------------|
| FEATURES/BENEFITS PAGE B4-2 | NOMENCLATURE PAGE B4-4 | SELECTION PAGE B4-5 | SELECTION/DIMENSIONS PAGE B4-10 |
|--------------------------------|---------------------------|------------------------|------------------------------------|

RELATED PRODUCTS

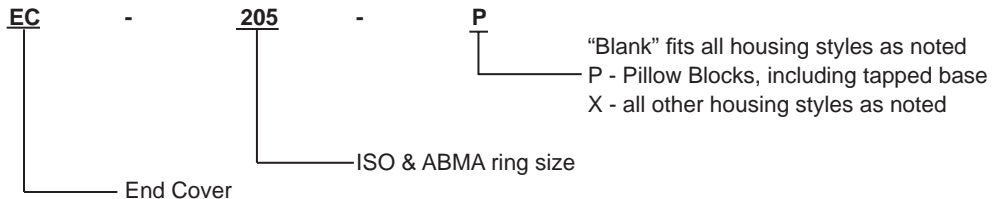


Eccentric Collar Ball Bearings DODGE Ball Bearing End Covers*



- Fits all styles of DODGE cast iron housed ball bearings: Pillow Blocks, 2 and 4 Bolt Flanges, and Take-Up bearings
- Injected molded, impact resistant, OSHA safety yellow end covers meet requirements for exposed rotating shafts
- Stainless steel "C" Washer for gripping power
- No modification or machining of existing housings required
- Concentric knockout grooves on inside of end cover for thru-shaft
- DODGE six digit part number and description embossed inside
- Operating temperature to 250° F
- For non relubricable/sealed for life applications (-NL), part number 430020 hex head plug is available

Nomenclature



| Series | Pillow Blocks Std, U, B | Tapped Base PB | 2 Bolt Flange | Flanged Bracket | 4 Bolt Flange | Piloted Flange (FC) | Narrow Slot Take-Up | Wide Slot Take-Up |
|--------|-------------------------|----------------|---------------|-----------------|---------------|---------------------|---------------------|-------------------|
| 203 | X | | X | | X | | | |
| 204 | X | X | X | X | X | | X | X |
| 205 | X | X | X | X | X | | X | X |
| 206 | X | X | X | X | X | @ | X | X |
| 207 | X | X | X | X | X | @ | X | X |
| 208 | X | X | X | | X | @ | X | X |
| 209 | X | X | X | | X | @ | X | X |
| 210 | X | X | X | X | X | @ | X | X |
| 211 | X | X | X | | X | NA | X | X |
| 212 | X | | X | | X | NA | X | X |
| 214 | X | | | | X | NA | | X |
| 215 | X | | | | X | | | X |
| 216 | X | | | | X | X | | X |
| 218 | X | | | | X | X | | |

* = Will not fit LF, LFT, SCHB, HNGR & CLY
 @ = Some modification required

NA = Will not fit
 X = Will fit

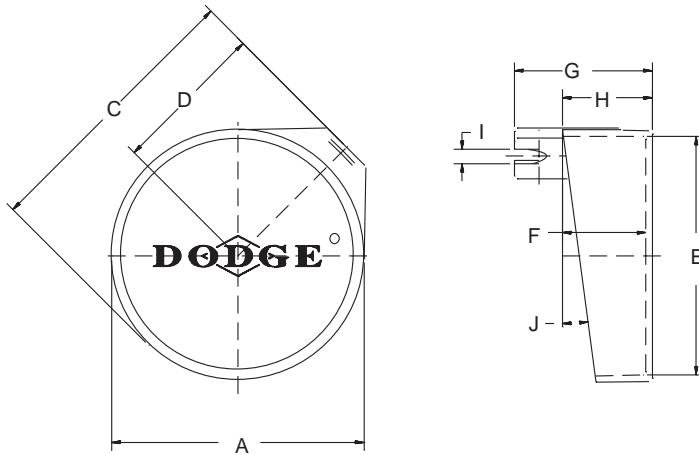
| | | | |
|--------------------------------|---------------------------|------------------------|------------------------------------|
| FEATURES/BENEFITS PAGE B4-2 | NOMENCLATURE PAGE B4-4 | SELECTION PAGE B4-5 | SELECTION/DIMENSIONS PAGE B4-10 |
|--------------------------------|---------------------------|------------------------|------------------------------------|

RELATED PRODUCTS



Eccentric Collar Ball Bearings

BALL BEARING END COVERS FOR PILLOW BLOCKS & TAPPED BASE UNITS



| Series | Shaft Size* | | Part Number | Description |
|--------|------------------------|-------------------------|---------------|-------------|
| | SXR, SXV 17mm | SXRH | | |
| 203 | 1/2 & 5/8 17mm | ----- | 128200 | EC-203-P |
| 204 | 3/4 20mm | ----- | 128202 | EC-204-P |
| 205 | 7/8 - 1 25mm | ----- | 128204 | EC-205-P |
| 206 | 1-1/16 - 1-1/4 30mm | ----- | 128206 | EC-206-P |
| 207 | 1-1/4 - 1-7/16 35mm | 1-3/16 & 1-3/4 30mm | 128208 | EC-207-P |
| 208 | 1-1/2 40mm | 1-7/16 35mm | 128210 | EC-208-P |
| 209 | 1-5/8 - 1-3/4 45mm | ----- | 128212 | EC-209-P |
| 210 | 1-15/16 & 2 50mm | 1-11/16 & 1-3/4 45mm | 128214 | EC-210-P |
| 211 | 2 - 2-3/16 55mm | 1-15/16 & 2 50mm | 128216 | EC-211-P |
| 212 | 2-1/4 - 2-7/16 60mm | 2-3/16 55mm | 128218 | EC-212-P |

* **NOTE:** SXRH uses the next larger end cover. E.G. A P2B-SXRH-103 would use a EC-207-P

| | | | |
|--------------------------------|---------------------------|------------------------|------------------------------------|
| FEATURES/BENEFITS PAGE B4-2 | NOMENCLATURE PAGE B4-4 | SELECTION PAGE B4-5 | SELECTION/DIMENSIONS PAGE B4-10 |
|--------------------------------|---------------------------|------------------------|------------------------------------|

RELATED PRODUCTS



Eccentric Collar Ball Bearings

BALL BEARING END COVERS FOR PILLOW BLOCKS & TAPPED BASE UNITS

Bearing Quick Reference

E-Z KLEEN

GRIP TIGHT Adapter Ball Bearing

Set Screw Ball Bearing

Eccentric Collar Ball Bearing

| Series | Shaft Size | | Weight lbs gm | A | C | D | E | F | G | H | I | J |
|--------|------------------------|-------------------------|---------------------|------------------|------------------|-----------------|------------------|-----------------|-----------------|-----------------|---------------|-------|
| | SXR, SXV 17mm | SXRH | | | | | | | | | | |
| 203 | 1/2 & 5/8 17mm | ----- | .02 9 | 1-25/32 45.2 | 2-7/64 53.6 | 1-3/32 27.7 | 1-41/64 41.7 | 49/64 19.6 | 1-29/64 37.1 | 29/32 22.9 | 1/4 6.4 | 9 |
| 204 | 3/4 20mm | ----- | .03 14 | 2-3/64 52.0 | 2-37/64 65.3 | 1-19/64 33.0 | 1-55/64 47.2 | 1-1/64 25.7 | 1-49/64 45.0 | 1-5/32 29.5 | 5/16 7.9 | 11 |
| 205 | 7/8 - 1 25mm | ----- | .05 23 | 2-3/8 60.2 | 2-13/16 71.4 | 1-3/16 35.0 | 2-5/32 54.9 | 1-1/16 26.9 | 1-7/8 47.8 | 1-7/32 31.0 | 11/32 8.6 | 9 |
| 206 | 1-1/16 - 1-1/4 30mm | ----- | .07 34 | 2-47/64 69.3 | 3-21/64 84.3 | 1-45/64 43.2 | 2-1/2 63.5 | 1-15/64 31.5 | 2-5/32 54.9 | 1-13/32 35.6 | 23/64 8.9 | 9 |
| 207 | 1-1/4 - 1-7/16 35mm | 1-3/16 & 1-1/4 30mm | .11 48 | 3-1/4 82.6 | 3-51/64 96.3 | 1-29/32 48.5 | 3-1/64 76.7 | 1-5/16 33.3 | 2-11/32 59.4 | 1-31/64 37.6 | 3/8 9.4 | 7 30' |
| 208 | 1-1/2 40mm | 1-7/16 35mm | .13 61 | 3-3/8 85.9 | 4.0 101.6 | 2-1/16 52.3 | 3-7/64 79.0 | 1-19/64 33.0 | 2-13/32 61.0 | 1-1/2 38.1 | 27/64 10.7 | 6 |
| 209 | 1-5/8 - 1-3/4 45mm | ----- | .15 69 | 3-11/16 93.7 | 4-17/64 108.2 | 2-11/64 55.1 | 3-13/32 86.6 | 1-21/64 33.8 | 2-21/64 59.2 | 1-17/32 38.9 | 25/64 9.9 | 7 |
| 210 | 1-15/16 & 2 50mm | 1-11/16 & 1-3/4 45mm | .17 78 | 3-7/8 98.6 | 4-1/2 114.3 | 2-19/32 59.2 | 3-37/64 90.9 | 1-23/64 34.3 | 2-1/2 63.5 | 1-9/16 39.6 | 31/64 12.5 | 9 |
| 211 | 2 - 2-3/16 55mm | 1-15/16 & 2 50mm | .22 102 | 4-27/64 112.3 | 5-1/16 128.5 | 2-19/32 66.0 | 4-1/8 104.7 | 1-13/32 35.8 | 2-37/64 65.3 | 1-5/8 41.2 | 29/64 11.4 | 7 |
| 212 | 2-1/4 - 2-7/16 60mm | 2-3/16 55mm | .26 118 | 4-59/64 125.0 | 5-29/64 138.7 | 2-3/4 69.9 | 4-39/64 117.1 | 1-17/32 38.9 | 2-11/16 68.3 | 1-3/4 44.5 | 13/32 10.4 | 8 |

For no-re-lube (-NL) applications, part number **430020**, hex head plug is available

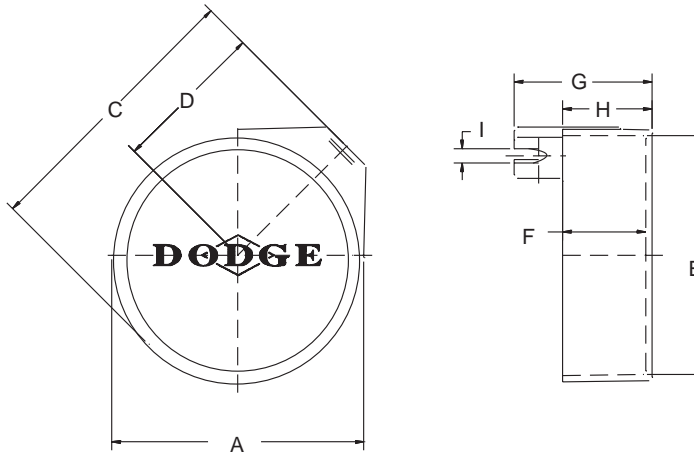
| | | | |
|--------------------------------|---------------------------|------------------------|------------------------------------|
| FEATURES/BENEFITS PAGE B4-2 | NOMENCLATURE PAGE B4-4 | SELECTION PAGE B4-5 | SELECTION/DIMENSIONS PAGE B4-10 |
|--------------------------------|---------------------------|------------------------|------------------------------------|

RELATED PRODUCTS



Eccentric Collar Ball Bearings

BALL BEARING END COVERS FOR MOUNTED UNITS OTHER THAN PILLOW BLOCKS & TAPPED BASE UNITS



| Series | Shaft Size* | Part Number | Description |
|--------|------------------------|-------------|-------------|
| | SXR, SXV | | |
| 203 | 1/2 & 5/8 17mm | 128201 | EC-203-X |
| 204 | 3/4 20mm | 128203 | EC-204-X |
| 205 | 7/8 - 1 25mm | 128205 | EC-205-X |
| 206 | 1-1/16 - 1-1/4 30mm | 128207 | EC-206-X |
| 207 | 1-1/4 - 1-7/16 35mm | 128209 | EC-207-X |
| 208 | 1-1/2 40mm | 128211 | EC-208-X |
| 209 | 1-5/8 - 1-3/4 45mm | 128213 | EC-209-X |
| 210 | 1-15/16 & 2 50mm | 128215 | EC-210-X |
| 211 | 2 - 2-3/16 55mm | 128217 | EC-211-X |
| 212 | 2-1/4 - 2-7/16 60mm | 128219 | EC-212-X |

* **NOTE:** Above end covers will not fit the LF and LFT bearings

| | | | |
|--------------------------------|---------------------------|------------------------|------------------------------------|
| FEATURES/BENEFITS PAGE B4-2 | NOMENCLATURE PAGE B4-4 | SELECTION PAGE B4-5 | SELECTION/DIMENSIONS PAGE B4-10 |
|--------------------------------|---------------------------|------------------------|------------------------------------|

RELATED PRODUCTS



Eccentric Collar Ball Bearings

BALL BEARING END COVERS FOR MOUNTED UNITS OTHER THAN PILLOW BLOCKS & TAPPED BASE UNITS

| Series | Shaft Size | Weight lbs gm | A | C | D | E | F | G | H | I |
|--------|----------------|---------------------|---------|---------|---------|---------|---------|---------|---------|-------|
| | SXR, SXV | | | | | | | | | |
| 203 | 1/2 & 5/8 | 0.02 | 1-51/64 | 2-13/64 | 1-3/16 | 1-41/64 | 51/64 | 1-29/64 | 15/16 | 1/4 |
| | 17mm | 10 | 45.5 | 56.1 | 30.2 | 41.7 | 20.3 | 37.1 | 23.9 | 6.4 |
| 204 | 3/4 | 0.03 | 2-7/32 | 2-47/64 | 1-25/64 | 2-1/32 | 1-1/64 | 1-13/16 | 1-5/32 | 5/16 |
| | 20mm | 15 | 56.1 | 69.6 | 35.3 | 51.6 | 25.7 | 45.7 | 29.5 | 7.9 |
| 205 | 7/8 - 1 | 0.05 | 2-3/8 | 3-3/64 | 1-19/32 | 2-5/32 | 1-1/64 | 1-53/64 | 1-11/64 | 11/32 |
| | 25mm | 24 | 60.2 | 77.2 | 40.6 | 54.9 | 25.7 | 46.5 | 29.7 | 8.7 |
| 206 | 1-1/16 - 1-1/4 | 0.08 | 2-47/64 | 3-21/64 | 1-45/64 | 2-1/2 | 1-3/16 | 2-1/16 | 1-23/64 | 23/64 |
| | 30mm | 36 | 69.3 | 84.3 | 43.2 | 63.5 | 30.2 | 52.3 | 34.5 | 8.9 |
| 207 | 1-1/4 - 1-7/16 | 0.12 | 3-1/4 | 3-27/32 | 1-31/32 | 3-1/64 | 1-11/32 | 2-11/32 | 1-17/32 | 3/8 |
| | 35mm | 53 | 82.6 | 97.5 | 50.0 | 76.7 | 34.5 | 59.4 | 38.9 | 9.4 |
| 208 | 1-1/2 | 0.14 | 3-3/8 | 4.0 | 2-1/16 | 3-7/64 | 1-19/64 | 2-13/32 | 1-1/2 | 27/64 |
| | 40mm | 64 | 85.9 | 101.6 | 52.3 | 79.0 | 33.0 | 61.0 | 38.1 | 10.7 |
| 209 | 1-5/8 - 1-3/4 | 0.16 | 3-11/16 | 4-17/64 | 2-11/64 | 3-13/32 | 1-23/64 | 2-21/64 | 1-17/32 | 25/64 |
| | 45mm | 73 | 93.7 | 108.2 | 55.1 | 86.6 | 34.3 | 59.2 | 38.9 | 9.9 |
| 210 | 1-15/16 & 2 | 0.18 | 3-7/8 | 4-1/2 | 2-21/64 | 3-9/16 | 1-23/64 | 2-33/64 | 1-9/16 | 31/64 |
| | 50mm | 82 | 98.6 | 114.3 | 59.2 | 90.9 | 34.3 | 63.8 | 39.6 | 12.4 |
| 211 | 2 - 2-3/16 | 0.24 | 4-27/64 | 5-1/16 | 2-19/32 | 4-1/8 | 1-29/64 | 2-37/64 | 1-21/32 | 29/64 |
| | 55mm | 108 | 112.3 | 128.5 | 66.0 | 104.7 | 36.8 | 65.3 | 42.2 | 11.4 |
| 212 | 2-1/4 - 2-7/16 | 0.27 | 4-59/64 | 5-15/32 | 2-3/4 | 4-39/64 | 1-35/64 | 2-11/16 | 1-3/4 | 13/32 |
| | 60mm | 124 | 125.0 | 138.7 | 69.9 | 117.1 | 39.1 | 68.3 | 44.5 | 10.4 |

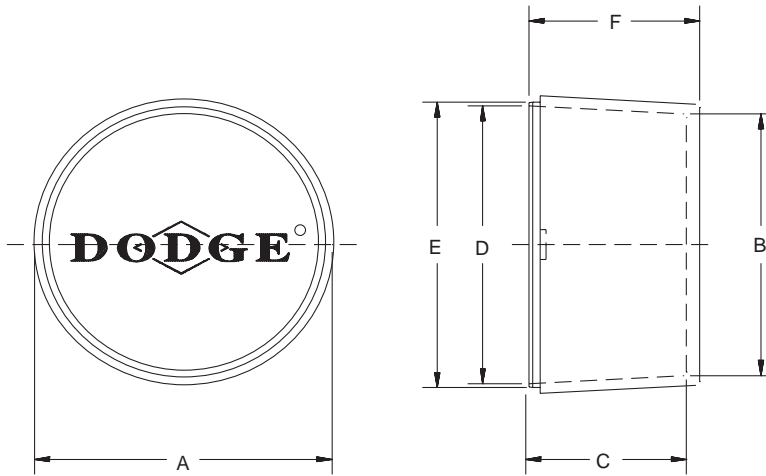
| | | | |
|--------------------------------|---------------------------|------------------------|------------------------------------|
| FEATURES/BENEFITS PAGE B4-2 | NOMENCLATURE PAGE B4-4 | SELECTION PAGE B4-5 | SELECTION/DIMENSIONS PAGE B4-10 |
|--------------------------------|---------------------------|------------------------|------------------------------------|

RELATED PRODUCTS



Eccentric Collar Ball Bearings

BALL BEARING END COVERS FOR MOUNTED UNITS 214 SERIES & LARGER



| Series | Shaft Size | Part Number | Description |
|--------|-------------------------|-------------|-------------|
| | SXR, SXV | | |
| 214 | 2-1/2 & 2-11/16 70mm | 480037 | EC-080 |
| 215 | 2-15/16 75mm | 480455 | EC-090 |
| 216 | ----- | 480456 | EC-100 |
| 218 | ----- | 480457 | EC-218 |

| | | | |
|--------------------------------|---------------------------|------------------------|------------------------------------|
| FEATURES/BENEFITS PAGE B4-2 | NOMENCLATURE PAGE B4-4 | SELECTION PAGE B4-5 | SELECTION/DIMENSIONS PAGE B4-10 |
|--------------------------------|---------------------------|------------------------|------------------------------------|

RELATED PRODUCTS



Eccentric Collar Ball Bearings

BALL BEARING END COVERS FOR MOUNTED UNITS 214 SERIES & LARGER

Bearing Quick Reference

E-Z KLEEN

GRIP TIGHT Adapter Ball Bearing

Set Screw Ball Bearing

Eccentric Collar Ball Bearing

| Series | Shaft Size | Weight lbs <i>gm</i> | A | B | C | D | E | F |
|--------|-----------------|----------------------------|---------|---------|---------|---------|-------------|---------|
| | SXR, SXV | | | | | | | |
| 214 | 2-1/2 & 2-11/16 | 0.33 | 4-15/16 | 4-7/16 | 2-39/64 | 4-39/64 | 4.741/4.737 | 2-53/64 |
| | 70mm | 151 | 125.5 | 112.8 | 66.3 | 117.1 | 120.4/120.3 | 71.9 |
| 215 | 2/15/16 | 0.36 | 5-3/32 | 4-49/64 | 2-29/64 | 4-3/4 | 4.944/4.940 | 2-7/8 |
| | 75mm | 154 | 129.3 | 120.9 | 62.5 | 120.7 | 125.6/125.5 | 72.9 |
| 216 | ----- | 0.44 | 5-9/16 | 5-15/64 | 2-47/64 | 5-13/64 | 5.350/5.346 | 2-63/64 |
| | | 201 | 141.2 | 132.8 | 69.6 | 132.1 | 135.9/135.8 | 75.7 |
| 218 | ----- | 0.57 | 6-5/16 | 5-29/32 | 2-27/32 | 5-15/16 | 6.100/6.096 | 3-3/32 |
| | | 257 | 130.3 | 149.9 | 72.1 | 150.6 | 154.9/154.8 | 78.5 |

| | | | |
|--------------------------------|---------------------------|------------------------|------------------------------------|
| FEATURES/BENEFITS PAGE B4-2 | NOMENCLATURE PAGE B4-4 | SELECTION PAGE B4-5 | SELECTION/DIMENSIONS PAGE B4-10 |
|--------------------------------|---------------------------|------------------------|------------------------------------|

NOTES



| | | | |
|--------------------------------|---------------------------|------------------------|------------------------------------|
| FEATURES/BENEFITS PAGE B4-2 | NOMENCLATURE PAGE B4-4 | SELECTION PAGE B4-5 | SELECTION/DIMENSIONS PAGE B4-10 |
|--------------------------------|---------------------------|------------------------|------------------------------------|

CONTENTS



D-LOK™ Ball Bearings

| | |
|---|----------|
| Features / Benefits | B5-2 |
| How to Order / Nomenclature | B5-4 |
| Selection | B5-5 |
| Selection/Dimensions | |
| Pillow Blocks | |
| DL Normal Duty | B5-8 |
| DLM Medium Duty | B5-16 |
| Tapped Base | B5-20 |
| Flanges | |
| 2-Bolt Flange | B5-22 |
| 3-Bolt Flange | B5-30 |
| 4-Bolt Flange | B5-34 |
| Piloted Flange | B5-40 |
| Take-Ups | |
| Narrow Slot | B5-44 |
| Wide Slot | B5-48 |
| Top Angle | B5-52 |
| DL Normal Duty Hanger, Screw Conveyor Hanger & Cylindrical Units | B5-58 |
| Inserts | |
| DL Normal Duty | B5-60 |
| DLM Normal Duty | B5-64 |
| Modifications/Accessories | B5-66 |
| Related Products | |
| End Closures | B5-67 |
| Part Number Index | Index-1 |
| Key Word Index | Index-34 |

D-LOK

Type E Family

Speciality Tapered

S-2000

UNISPHERE II

FEATURES/BENEFITS



D-LOK™ Ball Bearings

For concentric grip on the shaft and less vibration at higher speeds, specify DODGE D-LOK normal- or medium-duty mounted ball bearings.

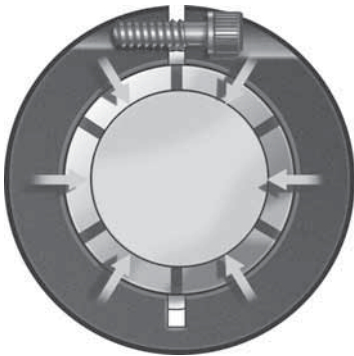
These unique, concentric collar bearings are engineered with features that assure you superior holding power with improved concentricity.

Even at high speeds, the D-LOK bearing grips the shaft tighter and more uniformly for less vibration.

Manufactured at our state-of-the-art, ISO 9002-certified DODGE bearing plant in Rogersville, TN. The new DODGE D-LOK bearing features:

- Precision-hardened and honed inner and outer rings
- New rugged housing design
- Normal-duty wide inner ring
- D-LOK locking mechanism
- DODGE PROGUARD PLUS™ and riding, positive contact seal with flingers
- Stronger, flexible ball retainer
- Simplified anti-rotation device
- Wide variety of styles
- 3/4" to 3-7/16" (20 to 70 mm) bore sizes
- Electrostatically applied epoxy paint
- Options:
 - Corrosion-resistant inserts
 - FDA/USDA lubricant and other special lubricants
 - High temperature

D-LOK CONCENTRIC CLAMP COLLAR



The D-LOK concentric clamp collar, with a single standard hex head cap screw and relief slot, provides greater holding power over competitive products. The collar, installed over the slotted inner ring, locks the bearing on the shaft concentrically-without marring or burring and provides a 360° clamping force to the shaft with minimal run out (T.I.R.) for less vibration.

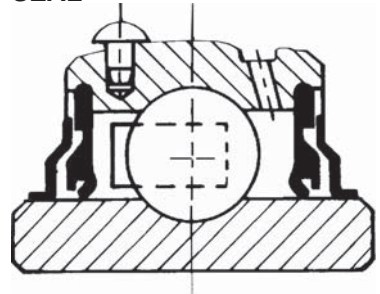
Patent number 5417500

DODGE End Covers

Available from stock to fit DL and DLM mounted units, these end covers are designed for added protection from contaminants as well as for OSHA requirements. Covers are OSHA yellow.



DODGE PROGUARD® PLUS SEAL



PROGUARD PLUS seal guards against contaminants, minimized power loss from friction. This one-piece, land-riding, positive contact seal is mechanically anchored into position. It's specially compounded, nitrile rubber lip reduces the coefficient of friction.

FEATURES/BENEFITS



D-LOK™ Ball Bearings

NON-METALLIC RETAINER

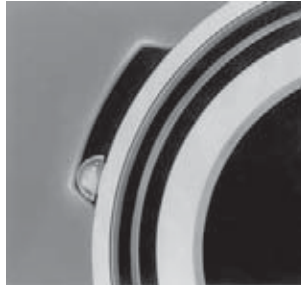


Ball cage is made of heat-stabilized nylon, reinforced with 33% short strand fiberglass. This non-metallic container operates in higher temperatures with less water absorption and retains natural lubricity and flexibility.

ANTI-ROTATION PIN

Anti-rotation pin prevents rotation of the outer ring within the housing.

Simple and effective, it makes system inserts easier to replace. There is no need to remove and replace grease fittings, location pins or other devices.



EXPANSION AND

NON-EXPANSION MODELS

A complete series of expansion and non-expansion pillow blocks and bearing inserts are available, these all have the standard features of our D-LOK, plus a specially engineered retainer to meet the operating conditions where these bearings are required.

RUGGED HOUSING DESIGN

Rugged housing design offers added strength. Solid feet are drilled for dowel pins - simplifies installation, alignment.

WIDE VARIETY OF STYLES

Normal Duty

- DL PILLOW BLOCKS
- DLB PILLOW BLOCKS
- DLH-E PILLOW BLOCKS
- DL Tapped Base Pillow Blocks
- DL 2-Bolt Flanges
- DL Flanged Bracket Bearings
- DL 4-Bolt Flanges
- DL Piloted Flanges
- DL Take-Up Bearings
- DL Screw Conveyor Hanger Bearings

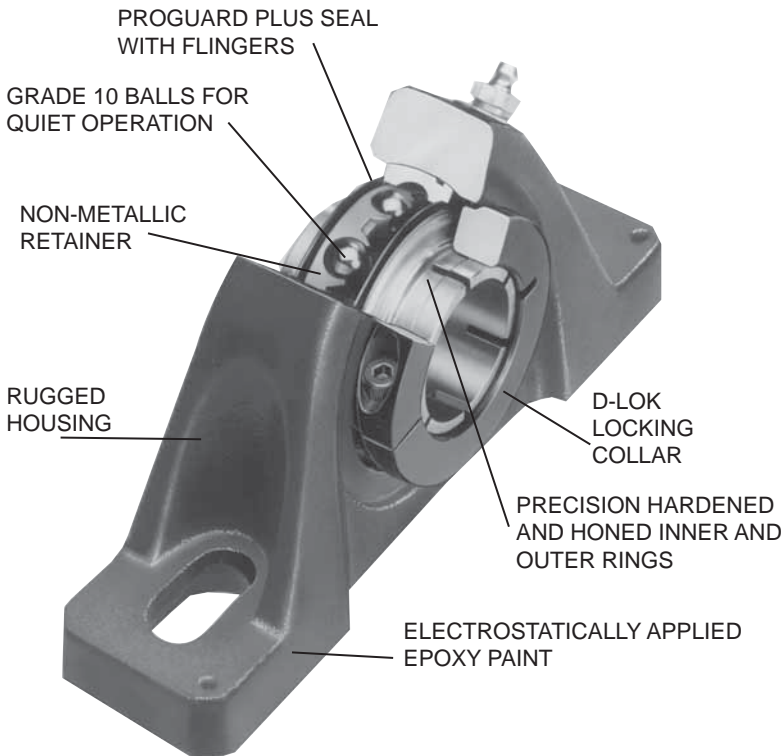
DL Inserts

Medium Duty

- DLM Pillow Blocks
- DLM 2-Bolt Flanges
- DLM 4-Bolt Flanges
- DLM Piloted Flanges
- DLM Take-Up Bearings
- DLM Inserts

IN STOCK NEAR YOU

The complete line of DODGE mounted ball bearings is available at your local authorized DODGE distributor. For more information, check the Yellow Pages for your local distributor, call (864) 297-4800, or fax (864) 281-2318.



D-LOK

Type E Family

Speciality Tapered

S-2000

UNISPHERE II

HOW TO ORDER/ NOMENCLATURE



D-LOK Ball Bearings

HOW TO ORDER

There are two ways to specify DODGE Bearings. Most of the product offerings have part numbers with listings shown throughout this catalog. Use of part numbers ensures accurate order processing.

When part numbers are not shown, the product may be specified by description or part name. This method is

used when ordering units that include modifications or options. To order by description, use the nomenclature shown below and add any special instruction to the end of the description for options not covered by the nomenclature.

P2B - DL - 104S - NL

Modification or feature:

- CR = Corrosion resistant insert
- E = Expansion (used with SCH, SXRH, or DLH)
- HT = High temperature option (400 degrees F maximum)
- LL = Low torque labyrinth seal
- MOD = Modified
- NL = No Lube (sealed for life)
- P = Polymer housing
- SH = Stainless Steel Housing

Shaft size

Inches:

- First digit = Number of inches
- Second & third digits = Number of sixteenths of an inch
- 104 = Indicates 1-4/16 or 1-1/4

- S = Next smaller ring size. E.g. 1-1/4 206 would be written as 104S
- L = Next larger ring size. E.g. 1-5/8 209 would be written as 110L

Metric:

- First two digits = number of millimeters
- M = Metric

Bearing type:

- DL = Wide inner ring, normal duty, concentric clamp collar
- DLM = Wide inner ring, medium duty, concentric clamp collar

Suffixes to the above:

- AH = Air handling
- B = Low backing height pillow block
- EZ = EZ-Kleen (used with polymer or stainless steel housed units)
- H = High backing height (used with expansion pillow blocks)

Housing:

- CYL = Cylindrical unit
- F2B = 2 bolt flange
- F2BZ = 2 bolt flange with pilot machined on the back side (used with metric D-LOK bearings)
- F4B = 4 bolt flange
- FB = Flanged bracket
- FC = Flanged cartridge (piloted flange)
- HNG = Hanger bearing
- INS = Insert
- LF = Light duty flange, 3 bolt, with square bolt holes
- LFT = Light duty flange, 2 bolt, with square bolt holes
- NSTU = Narrow slot take-up
- P2B = Pillow block, 2 bolt base
- SCHB = Screw conveyor hanger bearing
- TB = Tapped base pillow block
- TP = Top angle take-up
- WSTU = Wide slot take-up



D-LOK Ball Bearings

DODGE mounted ball bearings are primarily designed for radial loading. However, they have the capacity to carry thrust loads and combined radial/thrust loads. The maximum recommended load which can be applied is limited by various components in the system, such as bearing, housing, shaft attachments, speed and life requirements. DODGE mounted ball bearings have been applied successfully when these limits have been exceeded under controlled operating conditions. Contact DODGE Engineering for applications which exceed these recommendations.

Select a bearing from the Selection Chart that has a radial load rating at the operating speed equal to or greater than the calculated Equivalent Radial load for a desired L_{10} life. This simple method is all that is required for the majority of general applications and provides for occasional average shock loads.

L_{10} Hours Life-is the life which may be expected for at least 90% of a given group of bearings operating under identical conditions. For an L_{10} hours life other than those listed in the Selection Chart, multiply the equivalent Radial load by one of the following factors. For 50,000 L_{10} hours life, use a factor of 1.18 and for 80,000, use 1.39. Then select a bearing from the bold face (30,000) L_{10} ratings only in the Selection Chart that has a rating equal to or greater than this value.

Heavy Service-For heavy shock loads, frequent shock loads or severe vibrations, add up to 50% (according to severity of conditions) to the Equivalent Radial Load to obtain a Modified Equivalent Radial Load. Consult Application Engineering for additional selection assistance.

A thrust load value of $C/10$ is recommended as a guide for general applications and will give adequate L_{10} life. Where substantial radial load pulls the housing away from the mounting base, both the hold-down bolts and housing must be of adequate strength. Auxiliary load carrying devices, such as shear bars, are advisable for side or end-loading of pillow blocks and radial loads for flange units.

To determine the L_{10} hours life for loads and RPM's not listed use the following equation:

$$L_{10} = \left(\frac{C}{P}\right)^3 \times \frac{16667}{\text{RPM}}$$

Where:

L_{10} = Life, hours

C = Dynamic Capacity, lbs. or N

P = Equivalent Radial Load, lbs. or N

When the load on a ball bearing is solely a radial load with no thrust (axial) load, the Equivalent Radial Load (P) is equal to the actual radial load. However, when a thrust (axial) load is applied, the radial and thrust loads applied must be converted into an Equivalent Radial Load. The use of the X (radial factor) and Y (thrust factor) from Table 1 convert the actual applied thrust and radial loads to an Equivalent Radial Load which has the same effect on the life of a bearing as a radial load of this magnitude.

$$P = (X \times F_R) + (Y \times F_A)$$

Where:

P = Equivalent Radial Load, lbs.

F_R = Radial load, lbs.

F_A = Thrust load, lbs.

e = Thrust load to radial load factor (Table 1)

X = Radial load factor (Table 1)

Y = Thrust factor (Table 1)

C_0 = Basic static capacity

To find X and Y, first calculate F_A/C_0 to determine e. Calculate F_A/F_R and compare to e to determine the X and Y factors to use from Table 1.

Substitute all known values into the Equivalent Radial Load equation. The Equivalent Radial loads (P) thus determined can be used in the L_{10} life formula or compared to the allowable Equivalent Radial Load rating desired in the expanded rating chart to select a bearing (Table 2).

If calculated value of P is less than F_R , use $P=F_R$.

Table 1

| F_A C_0 | e | Radial/thrust Factors | | | |
|----------------|-----|---|---|--------------------------------|------|
| | | If F_A/F_R is equal to or less than e | | If F_A/F_R is greater than e | |
| | | $F_A/F_R < e$ | | $F_R/F_R > e$ | |
| | | X | Y | X | Y |
| .014 | .19 | 1 | 0 | .56 | 2.30 |
| .021 | .21 | 1 | 0 | .56 | 2.15 |
| .028 | .22 | 1 | 0 | .56 | 1.99 |
| .042 | .24 | 1 | 0 | .56 | 1.85 |
| .056 | .26 | 1 | 0 | .56 | 1.71 |
| .070 | .27 | 1 | 0 | .56 | 1.63 |
| .084 | .28 | 1 | 0 | .56 | 1.55 |
| .110 | .30 | 1 | 0 | .56 | 1.45 |
| .170 | .34 | 1 | 0 | .56 | 1.31 |
| .280 | .38 | 1 | 0 | .56 | 1.15 |
| .420 | .42 | 1 | 0 | .56 | 1.04 |
| .560 | .44 | 1 | 0 | .56 | 1.00 |

Lubrication-DODGE Ball Bearings are lubricated at the factory and are ready to run. The bearings are initially lubricated with a lithium complex grease and should be relubricated with the same or some equivalent. For high speeds, high loads, extreme temperatures and other abnormal operating conditions, special greases may be required. Contact DODGE Application Engineering for recommendations on these types of applications.

Misalignment-DODGE Ball Bearings are designed to allow a maximum of $\pm 2^\circ$ static misalignment. These bearings are not suitable for dynamic misalignment. To ensure good alignment, mounting surfaces must be checked for flatness and must lie in the same plane. When tightening base bolts, each bolt should be alternately tightened in incremental torque values until full torque is achieved to prevent the angular shifting of the pillow block that occurs when one bolt is tightened to its full torque. Shimming may be required to minimize misalignment.

| Normal Shaft Size Inches | Shaft Tolerances | | Recommended Shaft Tolerances D-LOK Lock Ball Bearings | |
|-----------------------------|--|--------|--|---------|
| | Commercial Shaft Tolerances Inches | | Inches | |
| Up to 1-1/2 | +0.000 | -0.002 | +0.0000 | -0.0005 |
| Over 1-1/2 to 2-1/2 | +0.000 | -0.003 | +0.0000 | -0.0010 |
| Over 2-1/2 to 4 | +0.000 | -0.004 | +0.0000 | -0.0010 |

| | | | |
|--------------------------------|---------------------------|-----------------------------------|--------------------------------|
| FEATURES/BENEFITS PAGE B5-2 | NOMENCLATURE PAGE B5-4 | SELECTION/DIMENSIONS PAGE B5-8 | RELATED PRODUCTS PAGE B5-67 |
|--------------------------------|---------------------------|-----------------------------------|--------------------------------|

SELECTION



D-LOK Ball Bearings - Inch
Table 2: Easy Selection Table for DL and DLM Bearing Mounted Units (Pounds)

| RING SIZE | SHAFT SIZE | | DYNAMIC CAPACITY C (Lbs.) | STATIC CAPACITY Co (Lbs.) | L10 LIFE HOURS | Allowable Equivalent Radial Load Ratings (Lbs.) at Various RPM* | | | | | | | | | | | | | | | | | | |
|-----------|---------------------------|-------------------|---------------------------|---------------------------|----------------|---|------|------|------|------|------|------|------|------|------|------|------|------|------|------|------|-----|-----|-----|
| | DL | DLM | | | | 50 | 150 | 250 | 500 | 750 | 1000 | 1500 | 1750 | 2000 | 2500 | 3000 | 3500 | 4500 | 5000 | 5500 | 7500 | | | |
| 204 | 3/4 | | 2899 | 1390 | 20000 | 740 | 515 | 435 | 345 | 300 | 275 | 240 | 225 | 215 | 200 | 190 | 180 | 165 | 160 | 155 | 140 | 135 | 120 | |
| | | | | | 30000 | 645 | 450 | 380 | 300 | 260 | 240 | 210 | 200 | 190 | 175 | 165 | 155 | 145 | 140 | 135 | 120 | | | |
| | | | | | 40000 | 590 | 410 | 345 | 275 | 240 | 215 | 190 | 180 | 170 | 160 | 150 | 145 | 130 | 125 | 115 | 105 | 95 | 80 | |
| | | | | | 60000 | 515 | 355 | 300 | 240 | 210 | 190 | 165 | 155 | 150 | 140 | 130 | 125 | 115 | 110 | 105 | 95 | 80 | | |
| | | | | | 100000 | 435 | 300 | 255 | 200 | 175 | 160 | 140 | 130 | 125 | 115 | 110 | 105 | 190 | 95 | 90 | | | | |
| 205 | 7/8 15/16 1 | | 3146 | 1565 | 20000 | 805 | 450 | 470 | 375 | 3225 | 295 | 260 | 245 | 235 | 220 | 205 | 195 | 180 | 175 | 170 | 155 | 140 | 135 | 120 |
| | | | | | 30000 | 705 | 485 | 410 | 325 | 285 | 260 | 225 | 215 | 205 | 190 | 180 | 170 | 155 | 150 | 140 | 135 | 120 | | |
| | | | | | 40000 | 640 | 445 | 375 | 295 | 260 | 235 | 205 | 195 | 185 | 175 | 165 | 155 | 145 | 140 | 135 | 120 | | | |
| | | | | | 60000 | 560 | 385 | 325 | 260 | 225 | 205 | 180 | 170 | 165 | 150 | 140 | 135 | 125 | 120 | 115 | 105 | 95 | 80 | |
| | | | | | 100000 | 470 | 325 | 275 | 220 | 190 | 175 | 150 | 145 | 135 | 125 | 120 | 115 | 105 | 100 | 100 | 90 | | | |
| 206 | 1-1/8 1-3/16 1-1/4 | 1 | 4368 | 2250 | 20000 | 1115 | 775 | 655 | 520 | 455 | 410 | 360 | 340 | 325 | 305 | 285 | 270 | 250 | 240 | 235 | 210 | 205 | | |
| | | | | | 30000 | 975 | 675 | 570 | 455 | 395 | 360 | 315 | 300 | 285 | 265 | 250 | 235 | 220 | 210 | 205 | | | | |
| | | | | | 40000 | 885 | 615 | 520 | 410 | 360 | 325 | 285 | 270 | 260 | 240 | 225 | 215 | 200 | 190 | 185 | | | | |
| | | | | | 60000 | 775 | 535 | 455 | 360 | 315 | 285 | 250 | 235 | 225 | 210 | 200 | 190 | 175 | 165 | 160 | | | | |
| | | | | | 100000 | 655 | 455 | 380 | 305 | 265 | 240 | 210 | 200 | 190 | 175 | 165 | 160 | 145 | 140 | 135 | | | | |
| 207 | 1-1/4 1-3/8 1-7/16 | 1-3/16 1-1/4 | 5759 | 3065 | 20000 | 1475 | 1020 | 860 | 685 | 595 | 545 | 475 | 450 | 430 | 400 | 375 | 355 | 330 | 315 | 305 | 270 | 270 | | |
| | | | | | 30000 | 1285 | 890 | 755 | 595 | 520 | 475 | 415 | 395 | 375 | 350 | 330 | 310 | 285 | 270 | 250 | 245 | | | |
| | | | | | 40000 | 1170 | 810 | 685 | 545 | 475 | 430 | 375 | 355 | 340 | 315 | 300 | 285 | 260 | 250 | 245 | | | | |
| | | | | | 60000 | 1020 | 710 | 595 | 475 | 415 | 375 | 330 | 310 | 300 | 275 | 260 | 250 | 230 | 220 | 225 | | | | |
| | | | | | 100000 | 860 | 595 | 505 | 400 | 350 | 315 | 275 | 265 | 250 | 235 | 220 | 210 | 190 | 185 | 180 | | | | |
| 208 | 1-1/2 | 1-7/16 1-1/2** | 7332 | 4005 | 20000 | 1875 | 1300 | 1095 | 870 | 760 | 690 | 605 | 575 | 550 | 510 | 480 | 455 | 420 | 405 | 355 | 355 | | | |
| | | | | | 30000 | 1640 | 1135 | 960 | 760 | 665 | 605 | 525 | 500 | 480 | 445 | 420 | 400 | 365 | 355 | | | | | |
| | | | | | 40000 | 1490 | 1030 | 870 | 690 | 605 | 550 | 480 | 455 | 435 | 405 | 380 | 360 | 330 | 320 | | | | | |
| | | | | | 60000 | 1300 | 900 | 760 | 605 | 525 | 480 | 420 | 400 | 380 | 355 | 330 | 315 | 290 | 280 | | | | | |
| | | | | | 100000 | 1095 | 760 | 640 | 510 | 445 | 405 | 355 | 335 | 320 | 300 | 280 | 265 | 245 | 235 | | | | | |
| 209 | 1-5/8 1-11/16 1-3/4 | 1-1/2 | 7891 | 4450 | 20000 | 2020 | 1400 | 1180 | 935 | 820 | 745 | 650 | 615 | 590 | 550 | 515 | 490 | 450 | 435 | 380 | 380 | | | |
| | | | | | 30000 | 1765 | 1225 | 1030 | 820 | 715 | 650 | 570 | 540 | 515 | 480 | 450 | 430 | 395 | 380 | | | | | |
| | | | | | 40000 | 1600 | 1110 | 935 | 745 | 650 | 590 | 515 | 490 | 470 | 435 | 410 | 390 | 360 | 345 | | | | | |
| | | | | | 60000 | 1400 | 970 | 820 | 650 | 570 | 515 | 450 | 430 | 410 | 380 | 360 | 340 | 310 | 300 | | | | | |
| | | | | | 100000 | 1180 | 820 | 690 | 550 | 480 | 435 | 380 | 360 | 345 | 320 | 300 | 285 | 265 | 255 | | | | | |
| 210 | 1-15/16 2 | 1-11/16 1-3/4 | 7891 | 4450 | 20000 | 2020 | 1400 | 1180 | 935 | 820 | 745 | 650 | 615 | 590 | 550 | 515 | 490 | 450 | 435 | 380 | 380 | | | |
| | | | | | 30000 | 1765 | 1225 | 1030 | 820 | 715 | 650 | 570 | 540 | 515 | 480 | 450 | 430 | 395 | | | | | | |
| | | | | | 40000 | 1600 | 1110 | 935 | 745 | 650 | 590 | 515 | 490 | 470 | 435 | 410 | 390 | 360 | | | | | | |
| | | | | | 60000 | 1400 | 970 | 820 | 650 | 570 | 515 | 450 | 430 | 410 | 380 | 360 | 340 | 310 | | | | | | |
| | | | | | 100000 | 1180 | 820 | 690 | 550 | 480 | 435 | 380 | 360 | 345 | 320 | 300 | 285 | 265 | 255 | | | | | |
| 211 | 2 2-3/16 | 1-15/16 2 | 9755 | 5630 | 20000 | 2491 | 1727 | 1457 | 1156 | 1010 | 918 | 802 | 761 | 729 | 676 | 636 | 604 | 558 | 528 | 480 | 480 | | | |
| | | | | | 30000 | 2176 | 1509 | 1272 | 1010 | 882 | 802 | 700 | 665 | 636 | 591 | 556 | 537 | 505 | 480 | | | | | |
| | | | | | 40000 | 1977 | 1371 | 1156 | 918 | 802 | 728 | 636 | 604 | 578 | 537 | 505 | 480 | | | | | | | |
| | | | | | 60000 | 1727 | 1197 | 1010 | 802 | 700 | 636 | 556 | 528 | 505 | 469 | 441 | 419 | | | | | | | |
| | | | | | 100000 | 1457 | 1010 | 852 | 676 | 591 | 537 | 469 | 445 | 426 | 395 | 372 | 353 | | | | | | | |
| 212 | 2-1/4 2-7/16 | 2-3/16 2-1/4 | 11791 | 6955 | 20000 | 3015 | 2090 | 1765 | 1400 | 1225 | 1110 | 970 | 925 | 880 | 820 | 770 | 730 | 676 | 640 | 580 | 580 | | | |
| | | | | | 30000 | 2635 | 1825 | 1540 | 1225 | 1070 | 970 | 880 | 805 | 770 | 715 | 675 | 640 | | | | | | | |
| | | | | | 40000 | 2395 | 1660 | 1400 | 1110 | 970 | 880 | 770 | 730 | 700 | 650 | 610 | 580 | | | | | | | |
| | | | | | 60000 | 2090 | 1450 | 1225 | 970 | 850 | 770 | 675 | 640 | 610 | 570 | 535 | 510 | | | | | | | |
| | | | | | 100000 | 1765 | 1225 | 1030 | 820 | 715 | 650 | 570 | 540 | 515 | 480 | 450 | 430 | | | | | | | |
| 214 | 2-1/2 2-11/16 | 2-7/16 2-1/2 | 13994 | 8415 | 20000 | 3580 | 2480 | 2095 | 1660 | 1450 | 1320 | 1155 | 1095 | 1045 | 970 | 915 | 850 | 800 | 725 | 725 | | | | |
| | | | | | 30000 | 3125 | 2171 | 1830 | 1450 | 1270 | 1155 | 1005 | 955 | 915 | 850 | 800 | | | | | | | | |
| | | | | | 40000 | 2840 | 1970 | 1660 | 1320 | 1155 | 1045 | 915 | 870 | 830 | 770 | 725 | | | | | | | | |
| | | | | | 60000 | 2480 | 1720 | 1450 | 1155 | 1005 | 915 | 800 | 760 | 725 | 675 | 635 | | | | | | | | |
| | | | | | 100000 | 2094 | 1450 | 1225 | 970 | 850 | 770 | 675 | 640 | 615 | 570 | 535 | | | | | | | | |
| 215 | 2-15/16 | 2-11/16 | 14872 | 9255 | 20000 | 3805 | 2640 | 2225 | 1765 | 1545 | 1400 | 1225 | 1165 | 1115 | 1035 | 975 | 905 | 850 | 770 | 770 | | | | |
| | | | | | 30000 | 3325 | 2305 | 1945 | 1545 | 1350 | 1225 | 1070 | 1015 | 975 | 905 | 850 | | | | | | | | |
| | | | | | 40000 | 3020 | 2095 | 1765 | 1400 | 1225 | 1115 | 975 | 925 | 885 | 820 | 770 | | | | | | | | |
| | | | | | 60000 | 2640 | 1830 | 1545 | 1225 | 1070 | 975 | 850 | 805 | 770 | 715 | 675 | | | | | | | | |
| | | | | | 100000 | 2225 | 1545 | 1300 | 1035 | 905 | 820 | 715 | 680 | 650 | 605 | 570 | | | | | | | | |
| 216 | 2-15/16 | | 17407 | 11015 | 20000 | 4450 | 3085 | 2605 | 2065 | 1805 | 1640 | 1435 | 1360 | 1300 | 1210 | 1140 | 1055 | 960 | 960 | | | | | |
| | | | | | 30000 | 3890 | 2695 | 2275 | 1805 | 1580 | 1435 | 1250 | 1190 | 1140 | 1080 | 1035 | | | | | | | | |
| | | | | | 40000 | 3535 | 2450 | 2065 | 1640 | 1435 | 1300 | 1140 | 1080 | 1035 | 960 | 960 | | | | | | | | |
| | | | | | 60000 | 3085 | 2140 | 1805 | 1435 | 1250 | 1140 | 995 | 945 | 905 | 840 | 840 | | | | | | | | |
| | | | | | 100000 | 2605 | 1805 | 1525 | 1210 | 1055 | 960 | 840 | 795 | 760 | 705 | | | | | | | | | |
| 218 | 3-7/16 | | 21451 | 13940 | 20000 | 5485 | 3805 | 3210 | 2550 | 2225 | 2025 | 1765 | 1680 | 1605 | 1405 | 1405 | 1335 | 1276 | 1115 | 1115 | | | | |
| | | | | | 30000 | 4795 | 3325 | 2805 | 2225 | 1945 | 1765 | 1545 | 1465 | 1405 | 1335 | 1276 | | | | | | | | |
| | | | | | 40000 | 4355 | 3020 | 2550 | 2025 | 1765 | 1605 | 1405 | 1335 | 1276 | 1115 | 1115 | | | | | | | | |
| | | | | | 60000 | 3805 | 2640 | 2225 | 1765 | 1545 | 1405 | 1225 | 1165 | 1115 | 1115 | 1115 | | | | | | | | |
| | | | | | 100000 | 3210 | 2225 | 1880 | 1490 | 1300 | 1185 | 1035 | 980 | 940 | | | | | | | | | | |

** Piloted flange only

| | | | |
|--------------------------------|---------------------------|-----------------------------------|--------------------------------|
| FEATURES/BENEFITS PAGE B5-2 | NOMENCLATURE PAGE B5-4 | SELECTION/DIMENSIONS PAGE B5-8 | RELATED PRODUCTS PAGE B5-67 |
|--------------------------------|---------------------------|-----------------------------------|--------------------------------|

D-LOK

Type E Family

Specialty Tapered

S-2000

UNISPHERE II

SELECTION



D-LOK Ball Bearings - Metric

Table 3: Easy Selection Table For DL and DLM Bearing Mounted Units (Newtons)

| RING SIZE | SHAFT SIZE (mm) | | DYNAMIC CAPACITY C (N) | STATIC CAPACITY Co (N) | L10 LIFE HOURS | Allowable Equivalent Radial Load Ratings (Lbs.) at Various RPM* | | | | | | | | | | | | | | | | | | | | | |
|-----------|-----------------|-----|------------------------|------------------------|----------------|---|-------|-------|-------|--------|-------|-------|-------|-------|--------|-------|-------|-------|-------|--------|-------|-------|-------|-------|--------|------|------|
| | DL | DLM | | | | 50 | 150 | 250 | 500 | 750 | 1000 | 1500 | 1750 | 2000 | 2500 | 3000 | 3500 | 4500 | 5000 | 5500 | 7500 | | | | | | |
| | | | | | | 20000 | 30000 | 40000 | 60000 | 100000 | 20000 | 30000 | 40000 | 60000 | 100000 | 20000 | 30000 | 40000 | 60000 | 100000 | 20000 | 30000 | 40000 | 60000 | 100000 | | |
| 204 | 20 | | 12895 | 6183 | | 20000 | 3292 | 2291 | 1935 | 1535 | 1334 | 1223 | 1068 | 1001 | 956 | 890 | 845 | 801 | 734 | 712 | 689 | 623 | 600 | 534 | | | |
| | | | | | | 30000 | 2869 | 2002 | 1690 | 1334 | 1156 | 1068 | 934 | 890 | 845 | 778 | 724 | 689 | 645 | 623 | 600 | 534 | 556 | 489 | 489 | | |
| | | | | | | 40000 | 2624 | 1824 | 1535 | 1223 | 1068 | 956 | 845 | 801 | 756 | 712 | 667 | 645 | 578 | 556 | 512 | 489 | 467 | 400 | 423 | 356 | |
| | | | | | | 60000 | 2291 | 1579 | 1334 | 1068 | 934 | 845 | 734 | 689 | 667 | 623 | 578 | 556 | 512 | 489 | 467 | 400 | 423 | 400 | 356 | | |
| | | | | | | 100000 | 1935 | 1334 | 1134 | 890 | 778 | 712 | 623 | 578 | 556 | 512 | 489 | 467 | 400 | 423 | 400 | 356 | | | | | |
| 205 | 25 | | 13993 | 6961 | | 20000 | 3581 | 2491 | 2091 | 1668 | 1446 | 1312 | 1156 | 1090 | 1045 | 979 | 912 | 867 | 801 | 778 | 756 | 667 | 645 | 578 | | | |
| | | | | | | 30000 | 3136 | 2157 | 1827 | 1446 | 1268 | 1156 | 1001 | 956 | 912 | 845 | 801 | 756 | 689 | 667 | 645 | 578 | 556 | 489 | 489 | | |
| | | | | | | 40000 | 2847 | 1979 | 1668 | 1312 | 1156 | 1045 | 912 | 867 | 823 | 778 | 734 | 689 | 623 | 600 | 556 | 534 | 512 | 467 | 400 | 534 | |
| | | | | | | 60000 | 2491 | 1712 | 1446 | 1156 | 1001 | 912 | 801 | 756 | 734 | 667 | 623 | 600 | 556 | 534 | 512 | 467 | 400 | 423 | 400 | 356 | |
| | | | | | | 100000 | 2091 | 1446 | 1223 | 979 | 845 | 778 | 667 | 645 | 600 | 556 | 534 | 512 | 467 | 445 | 445 | 400 | | | | | |
| 206 | 30 | | 19429 | 10008 | | 20000 | 4960 | 3447 | 2913 | 2313 | 2024 | 1824 | 1601 | 1512 | 1446 | 1357 | 1268 | 1201 | 1112 | 1068 | 1045 | 912 | 912 | 845 | | | |
| | | | | | | 30000 | 4337 | 3002 | 2535 | 2024 | 1757 | 1601 | 1401 | 1334 | 1268 | 1179 | 1112 | 1045 | 979 | 934 | 912 | 845 | 823 | 712 | 712 | 600 | |
| | | | | | | 40000 | 3936 | 2736 | 2313 | 1824 | 1601 | 1446 | 1268 | 1201 | 1156 | 1068 | 1001 | 958 | 890 | 845 | 778 | 734 | 712 | 600 | 534 | 534 | |
| | | | | | | 60000 | 3447 | 2380 | 2024 | 1601 | 1401 | 1268 | 1112 | 1045 | 1001 | 934 | 890 | 845 | 778 | 734 | 712 | 645 | 623 | 600 | 534 | 534 | 489 |
| | | | | | | 100000 | 2913 | 2024 | 1690 | 1357 | 1179 | 1068 | 934 | 890 | 845 | 778 | 734 | 712 | 645 | 623 | 600 | 534 | 512 | 467 | 400 | 356 | |
| 207 | 35 | | 25616 | 13633 | | 20000 | 6561 | 4537 | 3825 | 3047 | 2647 | 2424 | 2113 | 2002 | 1913 | 1779 | 1668 | 1579 | 1468 | 1401 | 1357 | 1201 | 1201 | 1134 | | | |
| | | | | | | 30000 | 5716 | 3959 | 3358 | 2674 | 2313 | 2113 | 1846 | 1757 | 1668 | 1557 | 1468 | 1379 | 1268 | 1223 | 1201 | 1112 | 1068 | 1045 | 912 | 845 | |
| | | | | | | 40000 | 5204 | 3603 | 3047 | 2424 | 2113 | 1913 | 1668 | 1579 | 1512 | 1401 | 1334 | 1268 | 1156 | 1112 | 1090 | 1090 | 1090 | 1090 | 1090 | 1090 | |
| | | | | | | 60000 | 4537 | 3158 | 2647 | 2113 | 1846 | 1669 | 1468 | 1379 | 1334 | 1223 | 1156 | 1112 | 1023 | 979 | 956 | 956 | 956 | 956 | 956 | 956 | 956 |
| | | | | | | 100000 | 3825 | 2647 | 2246 | 1779 | 1557 | 1401 | 1223 | 1179 | 1112 | 1045 | 979 | 934 | 845 | 823 | 801 | 801 | 801 | 801 | 801 | 801 | 801 |
| 208 | 40 | 35 | 32613 | 17814 | | 20000 | 8341 | 5782 | 4871 | 3870 | 3380 | 3069 | 2691 | 2558 | 2446 | 2268 | 2135 | 2024 | 1868 | 1801 | 1757 | 1690 | 1624 | 1579 | | | |
| | | | | | | 30000 | 7295 | 5048 | 4270 | 3380 | 2958 | 2691 | 2335 | 2224 | 2135 | 1979 | 1868 | 1779 | 1624 | 1579 | 1579 | 1579 | 1579 | 1579 | 1579 | 1579 | |
| | | | | | | 40000 | 6628 | 4581 | 3870 | 3069 | 2691 | 2446 | 2135 | 2024 | 1935 | 1801 | 1690 | 1601 | 1468 | 1423 | 1423 | 1423 | 1423 | 1423 | 1423 | 1423 | |
| | | | | | | 60000 | 5782 | 4003 | 3380 | 2691 | 2335 | 2135 | 1868 | 1779 | 1690 | 1576 | 1468 | 1401 | 1290 | 1245 | 1245 | 1245 | 1245 | 1245 | 1245 | 1245 | 1245 |
| | | | | | | 100000 | 4871 | 3380 | 2847 | 2268 | 1979 | 1801 | 1579 | 1490 | 1423 | 1334 | 1245 | 1179 | 1090 | 1045 | 1045 | 1045 | 1045 | 1045 | 1045 | 1045 | 1045 |
| 209 | 45 | | 35099 | 19794 | | 20000 | 8985 | 6227 | 5249 | 4159 | 3647 | 3314 | 2891 | 2736 | 2624 | 2446 | 2291 | 2180 | 2002 | 1935 | 1935 | 1935 | 1935 | 1935 | | | |
| | | | | | | 30000 | 7851 | 5449 | 4581 | 3649 | 3180 | 2891 | 2535 | 2402 | 2291 | 2135 | 2002 | 1913 | 1757 | 1690 | 1690 | 1690 | 1690 | 1690 | 1690 | 1690 | |
| | | | | | | 40000 | 7117 | 4937 | 4159 | 3314 | 2891 | 2624 | 2291 | 2180 | 2091 | 1935 | 1824 | 1735 | 1601 | 1535 | 1535 | 1535 | 1535 | 1535 | 1535 | 1535 | |
| | | | | | | 60000 | 6227 | 4315 | 3647 | 2891 | 2535 | 2291 | 2002 | 1913 | 1824 | 1690 | 1601 | 1512 | 1379 | 1334 | 1334 | 1334 | 1334 | 1334 | 1334 | 1334 | 1334 |
| | | | | | | 100000 | 5249 | 3647 | 3069 | 2446 | 2135 | 1935 | 1690 | 1601 | 1535 | 1423 | 1334 | 1268 | 1179 | 1134 | 1134 | 1134 | 1134 | 1134 | 1134 | 1134 | 1134 |
| 210 | 50 | | 35099 | 19794 | | 20000 | 8985 | 6227 | 5249 | 4159 | 3647 | 3314 | 2891 | 2736 | 2624 | 2446 | 2291 | 2180 | 2002 | 1935 | 1935 | 1935 | 1935 | 1935 | | | |
| | | | | | | 30000 | 7851 | 5449 | 4581 | 3647 | 3180 | 2891 | 2535 | 2402 | 2291 | 2135 | 2002 | 1913 | 1757 | 1690 | 1690 | 1690 | 1690 | 1690 | 1690 | 1690 | |
| | | | | | | 40000 | 7117 | 4937 | 4159 | 3314 | 2891 | 2624 | 2291 | 2180 | 2091 | 1935 | 1824 | 1735 | 1601 | 1535 | 1535 | 1535 | 1535 | 1535 | 1535 | 1535 | |
| | | | | | | 60000 | 6227 | 4315 | 3647 | 2891 | 2535 | 2291 | 2002 | 1913 | 1824 | 1690 | 1601 | 1512 | 1379 | 1334 | 1334 | 1334 | 1334 | 1334 | 1334 | 1334 | 1334 |
| | | | | | | 100000 | 5249 | 3647 | 3069 | 2446 | 2135 | 1935 | 1690 | 1601 | 1535 | 1423 | 1334 | 1268 | 1179 | 1134 | 1134 | 1134 | 1134 | 1134 | 1134 | 1134 | 1134 |
| 211 | 55 | 50 | 43394 | 25042 | | 20000 | 11079 | 7682 | 6479 | 5142 | 4492 | 4082 | 3566 | 3387 | 3241 | 3007 | 2830 | 2688 | 2688 | 2688 | 2688 | 2688 | 2688 | 2688 | | | |
| | | | | | | 30000 | 9678 | 6711 | 5660 | 4492 | 3924 | 3566 | 3115 | 2959 | 2831 | 2627 | 2472 | 2348 | 2348 | 2348 | 2348 | 2348 | 2348 | 2348 | 2348 | 2348 | |
| | | | | | | 40000 | 8793 | 6097 | 5142 | 4082 | 3566 | 3240 | 2830 | 2688 | 2572 | 2387 | 2246 | 2134 | 2134 | 2134 | 2134 | 2134 | 2134 | 2134 | 2134 | 2134 | |
| | | | | | | 60000 | 7682 | 5326 | 4492 | 3566 | 3115 | 2830 | 2472 | 2348 | 2247 | 2085 | 1962 | 1864 | 1864 | 1864 | 1864 | 1864 | 1864 | 1864 | 1864 | 1864 | |
| | | | | | | 100000 | 6479 | 4492 | 3789 | 3007 | 2627 | 2387 | 2085 | 1981 | 1895 | 1759 | 1655 | 1572 | 1572 | 1572 | 1572 | 1572 | 1572 | 1572 | 1572 | 1572 | 1572 |
| 212 | 60 | | 52446 | 30936 | | 20000 | 13411 | 9296 | 7851 | 6227 | 5449 | 4937 | 4315 | 4114 | 3914 | 3647 | 3425 | 3247 | 3247 | 3247 | 3247 | 3247 | 3247 | 3247 | | | |
| | | | | | | 30000 | 11720 | 8118 | 6850 | 5449 | 4759 | 4315 | 3914 | 3581 | 3425 | 3180 | 3002 | 2847 | 2847 | 2847 | 2847 | 2847 | 2847 | 2847 | 2847 | 2847 | |
| | | | | | | 40000 | 10653 | 7384 | 6227 | 4937 | 4315 | 3914 | 3425 | 3247 | 3114 | 2891 | 2713 | 2580 | 2580 | 2580 | 2580 | 2580 | 2580 | 2580 | 2580 | 2580 | |
| | | | | | | 60000 | 9296 | 6450 | 5449 | 4315 | 3781 | 3425 | 3002 | 2847 | 2713 | 2535 | 2380 | 2268 | 2268 | 2268 | 2268 | 2268 | 2268 | 2268 | 2268 | 2268 | 2268 |
| | | | | | | 100000 | 7851 | 5449 | 4581 | 3647 | 3180 | 2891 | 2535 | 2402 | 2291 | 2135 | 2002 | 1913 | 1913 | 1913 | 1913 | 1913 | 1913 | 1913 | 1913 | 1913 | 1913 |
| 214 | 70 | 65 | 62245 | 37430 | | 20000 | 15925 | 11031 | 9319 | 7384 | 6450 | 5871 | 5137 | 4871 | 4648 | 4315 | 4070 | 4070 | 4070 | 4070 | 4070 | 4070 | 4070 | 4070 | | | |
| | | | | | | 30000 | 13900 | 96721 | 8140 | 6450 | 5649 | 5137 | 4470 | 4248 | 4070 | 3781 | 3558 | 3558 | 3558 | 3558 | 3558 | 3558 | 3558 | 3558 | 3558 | 3558 | |
| | | | | | | 40000 | 12632 | 8763 | 7384 | 5871 | 5137 | 4648 | 4070 | 3870 | 3692 | 3425 | 3225 | 3225 | 3225 | 3225 | 3225 | 3225 | 3225 | 3225 | 3225 | 3225 | |
| | | | | | | 60000 | 11031 | 7651 | 6450 | 5137 | 4470 | 4070 | 3558 | 3380 | 3225 | 3002 | 2824 | 2824 | 2824 | 2824 | 2824 | 2824 | 2824 | 2824 | 2824 | 2824 | 2824 |
| | | | | | | 100000 | 9318 | 6450 | 5449 | 4315 | 3781 | 3425 | 3002 | 2847 | 2736 | 2535 | 2380 | 2380 | 2380 | 2380 | 2380 | 2380 | 2380 | 2380 | 2380 | 2380 | 2380 |

** Piloted flange only

D-LOK

Type E Family

Speciality Tapered

S-2000

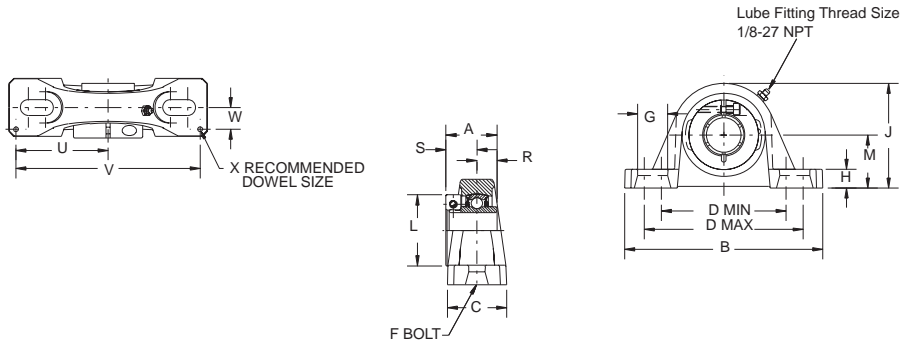
UNISPHERE II

| | | | |
|--------------------------------|---------------------------|-----------------------------------|--------------------------------|
| FEATURES/BENEFITS PAGE B5-2 | NOMENCLATURE PAGE B5-4 | SELECTION/DIMENSIONS PAGE B5-8 | RELATED PRODUCTS PAGE B5-67 |
|--------------------------------|---------------------------|-----------------------------------|--------------------------------|

SELECTION/DIMENSIONS



D-LOK Ball Bearings DL NORMAL DUTY PILLOW BLOCKS



| Series | Shaft Size | Part No. | Description |
|--------------|------------|---------------|--------------|
| | | | |
| 204 | 3/4 | 128700 | P2B-DL-012 |
| | 20mm | 126601 | P2B-DL-20M |
| 205 | 7/8 | 128701 | P2B-DL-014 |
| | 15/16 | 128702 | P2B-DL-015 |
| | 1 | 128703 | P2B-DL-100 |
| | 25mm | 126602 | P2B-DL-25M |
| 206 (DLU) | 1-1/8 | 128704 | P2B-DLU-102 |
| | 1-3/16 | 128705 | P2B-DLU-103 |
| | 1-1/4 | 128706 | P2B-DLU-104S |
| | 30mm | 126603 | P2B-DLU-30M |
| 207 | 1-1/4 | 128707 | P2B-DL-104 |
| | 1-3/8 | 128708 | P2B-DL-106 |
| | 1-7/16 | 128709 | P2B-DL-107 |
| | 35mm | 126604 | P2B-DL-35M |
| 208 (DLB) | 1-1/2 | 128710 | P2B-DLB-108 |
| | 40mm | 126605 | P2B-DLB-40M |
| 209 | 1-5/8 | 128711 | P2B-DL-110L |
| | 1-11/16 | 128712 | P2B-DL-111 |
| | 1-3/4 | 128713 | P2B-DL-112 |
| | 45mm | 126606 | P2B-DL-45M |
| 210 | 1-15/16 | 128714 | P2B-DL-115 |
| | 2 | 128715 | P2B-DL-200 |
| | 50mm | 126607 | P2B-DL-50M |
| 211 | 2 | 128830 | P2B-DLM-200 |
| | 2-3/16 | 128717 | P2B-DL-203 |
| | 55mm | 126608 | P2B-DL-55M |
| 212 | 2-1/4 | 128832 | P2B-DLM-204 |
| | 2-7/16 | 128719 | P2B-DL-207 |
| | 60mm | 126609 | P2B-DL-60M |
| 214 | 2-1/2 | 128834 | P2B-DLM-208 |
| | 2-11/16 | 128720 | P2B-DL-211 |
| | 70mm | 126610 | P2B-DL-70M |
| 215 | 2-15/16 | 056610 | P2B-DL-215 |

FEATURES/BENEFITS
PAGE B5-2

NOMENCLATURE
PAGE B5-4

SELECTION/DIMENSIONS
PAGE B5-8

RELATED PRODUCTS
PAGE B5-67

SELECTION/DIMENSIONS



D-LOK Ball Bearings DL NORMAL DUTY PILLOW BLOCKS

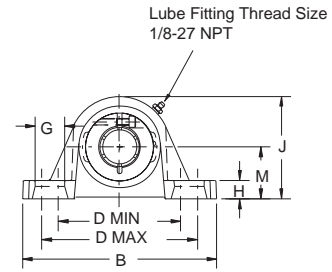
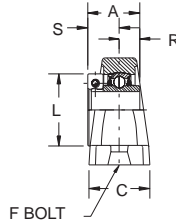
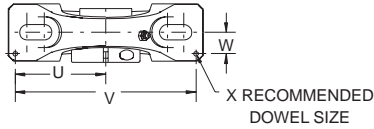
| Series | Shaft Size | Weight lbs kg | A | B | C | D | | F Bolt Dia. | G | H | J | L | M | R | S | U | V | W | X | |
|--------------|------------|---------------------|---------|--------|---------|---------|---------|-------------------|--------|-------|---------|---------|---------|--------|---------|---------|---------|-------|-------|--|
| | | | | | | min. | max. | | | | | | | | | | | | | |
| 204 | 3/4 | 2.1 | 1-9/32 | 5-1/4 | 1-21/64 | 3-3/8 | 4-3/16 | 3/8 | 27/32 | 33/64 | 2-9/16 | 1-45/64 | 1-5/16 | 1/2 | 25/32 | 2-1/4 | 4-1/2 | 1/2 | 1/8 | |
| | 20mm | 1.0 | 32.5 | 133.4 | 33.7 | 85.7 | 106.4 | M10 | 21.4 | 13.1 | 65.1 | 43.3 | 33.3 | 12.7 | 19.8 | 57.2 | 114.3 | 12.7 | 3.2 | |
| 205 | 7/8 | 2.3 | 1-7/16 | 5-1/2 | 1-13/32 | 3-11/16 | 4-1/2 | 3/8 | 27/32 | 37/64 | 2-25/32 | 2 | 1-7/16 | 9/16 | 7/8 | 2-1/2 | 5 | 1/2 | 3/16 | |
| | 15/16 | 2.3 | | | | | | | | | | | | | | | | | | |
| | 1 | 2.3 | | | | | | | | | | | | | | | | | | |
| 206 (DLU) | 25mm | 1.1 | 36.5 | 139.7 | 35.7 | 93.7 | 114.3 | M10 | 21.4 | 14.7 | 70.6 | 50.8 | 36.5 | 14.3 | 22.2 | 63.5 | 127.0 | 12.7 | 4.8 | |
| | 1-1/8 | 3.8 | 1-9/16 | 6-1/4 | 1-47/64 | 4-1/4 | 5 | 1/2 | 15/16 | 3/4 | 3-5/16 | 2-7/32 | 1-11/16 | 5/8 | 15/16 | 2-7/8 | 5-3/4 | 9/16 | 3/16 | |
| | 1-3/16 | 3.7 | | | | | | | | | | | | | | | | | | |
| 207 | 1-1/4 | 4.9 | 1-3/4 | 6-1/2 | 1-47/64 | 4-11/16 | 5-7/16 | 1/2 | 15/16 | 45/64 | 3-3/4 | 2-11/16 | 1-7/8 | 11/16 | 1-1/16 | 2-29/32 | 5-13/16 | 9/16 | 3/16 | |
| | 1-3/8 | 4.9 | | | | | | | | | | | | | | | | | | |
| | 1-7/16 | 4.8 | | | | | | | | | | | | | | | | | | |
| 208 (DLB) | 35mm | 2.2 | 44.5 | 165.1 | 44.1 | 119.1 | 138.1 | M12 | 23.8 | 17.9 | 95.3 | 68.3 | 47.6 | 17.5 | 27.0 | 73.8 | 147.6 | 14.3 | 4.8 | |
| | 1-1/2 | 6.0 | 2 | 7-1/4 | 1-15/16 | 5-3/16 | 5-7/8 | 1/2 | 29/32 | 3/4 | 4 | 2-25/32 | 1-15/16 | 3/4 | 1-1/4 | 3-17/64 | 6-17/32 | 11/16 | 3/16 | |
| | 40mm | 2.7 | 50.8 | 184.2 | 49.2 | 131.8 | 149.2 | M12 | 23.0 | 19.1 | 101.6 | 70.6 | 49.2 | 19.1 | 31.8 | 82.9 | 165.9 | 17.5 | 4.8 | |
| 209 | 1-5/8 | 6.8 | 2 | 7-7/16 | 2 | 5-1/2 | 6-3/16 | 1/2 | 29/32 | 3/4 | 4-9/32 | 3-1/16 | 2-1/8 | 3/4 | 1-1/4 | 3-3/8 | 6-3/4 | 11/16 | 3/16 | |
| | 1-11/16 | 6.8 | | | | | | | | | | | | | | | | | | |
| | 1-3/4 | 6.7 | | | | | | | | | | | | | | | | | | |
| 210 | 45mm | 3.1 | 50.8 | 188.9 | 50.8 | 139.7 | 157.2 | M12 | 23.0 | 19.1 | 108.7 | 77.8 | 54.0 | 19.1 | 31.8 | 85.7 | 171.5 | 17.5 | 4.8 | |
| | 1-15/16 | 8.5 | 2-3/32 | 8-1/8 | 2-1/4 | 6 | 6-11/16 | 5/8 | 1-1/64 | 3/4 | 4-17/32 | 3-9/32 | 2-1/4 | 3/4 | 1-11/32 | 3-11/16 | 7-3/8 | 13/16 | 3/16 | |
| | 2 | 8.4 | | | | | | | | | | | | | | | | | | |
| 211 | 50mm | 3.9 | 53.2 | 206.4 | 57.2 | 152.4 | 169.9 | M16 | 25.8 | 19.1 | 115.1 | 83.3 | 57.2 | 19.1 | 34.1 | 93.7 | 187.3 | 20.6 | 4.8 | |
| | 2 | 12.2 | 2-1/4 | 8-7/8 | 2-5/16 | 6-3/8 | 7-7/16 | 5/8 | 1-7/32 | 7/8 | 4-31/32 | 3-11/16 | 2-1/2 | 7/8 | 1-3/8 | 3-15/16 | 7-7/8 | 13/16 | 3/16 | |
| | 2-3/16 | 10.3 | | | | | | | | | | | | | | | | | | |
| 212 | 55mm | 5.6 | 57.2 | 225.4 | 58.7 | 161.9 | 188.9 | M16 | 31.0 | 22.2 | 126.2 | 93.7 | 63.5 | 22.2 | 34.9 | 100.0 | 200.0 | 20.6 | 4.8 | |
| | 2-1/4 | 17.5 | 2-5/8 | 9 1/2 | 2-3/8 | 6-7/8 | 7-15/16 | 5/8 | 1-7/32 | 7/8 | 5-13/32 | 4-7/64 | 2-3/4 | 1 | 1-5/8 | 4-1/4 | 8-1/2 | 7/8 | 3/16 | |
| | 2-7/16 | 14.8 | | | | | | | | | | | | | | | | | | |
| 214 | 60mm | 7.0 | 66.7 | 241.3 | 60.3 | 174.6 | 201.6 | M16 | 31.0 | 22.2 | 137.3 | 104.4 | 69.9 | 25.4 | 41.3 | 108.0 | 215.9 | 22.2 | 4.8 | |
| | 2-1/2 | 19.4 | 2-13/16 | 10-3/4 | 2-11/16 | 7-1/2 | 8-1/2 | 3/4 | 1-5/16 | 15/16 | 6-5/64 | 4-3/8 | 3 | 1-1/16 | 1-3/4 | 4-7/8 | 9 3/4 | 15/16 | 3/16 | |
| | 2-11/16 | 19.3 | | | | | | | | | | | | | | | | | | |
| 215 | 70mm | 8.9 | 71.4 | 273.1 | 68.3 | 190.5 | 215.9 | M18 | 33.3 | 23.8 | 154.4 | 111.1 | 76.2 | 27.0 | 44.5 | 123.8 | 247.7 | 23.8 | 4.8 | |
| | 2-15/16 | 24.9 | 2-21/64 | 11-3/4 | 2-7/8 | 8-1/2 | 9 1/2 | 7/8 | 1-7/16 | 1 | 6-3/4 | 4-11/16 | 3-1/2 | 53/64 | 1-1/2 | ----- | ----- | ----- | ----- | |

| | | | |
|--------------------------------|---------------------------|-----------------------------------|--------------------------------|
| FEATURES/BENEFITS PAGE B5-2 | NOMENCLATURE PAGE B5-4 | SELECTION/DIMENSIONS PAGE B5-8 | RELATED PRODUCTS PAGE B5-67 |
|--------------------------------|---------------------------|-----------------------------------|--------------------------------|

SELECTION/DIMENSIONS



D-LOK Ball Bearings DLAH NORMAL DUTY AIR HANDLING PILLOW BLOCKS



| Series | Shaft Size | Part No. | Description |
|--------------|-------------|---------------|-------------------------------------|
| 204 | 3/4 20mm | 128432 | P2B-DLAH-012 <i>P2B-DLAH-20M</i> |
| 205 | 7/8 | @ | P2B-DLAH-014 |
| | 15/16 | @ | P2B-DLAH-015 |
| | 1 | 128435 | P2B-DLAH-100 |
| | 25mm | @ | <i>P2B-DLAH-25M</i> |
| 206 (DLU) | 1-1/8 | 128436 | P2B-DLUAH-102 |
| | 1-3/16 | 128437 | P2B-DLUAH-103 |
| | 1-1/4 | 128438 | P2B-DLUAH-104S |
| | 30mm | @ | <i>P2B-DLUAH-30M</i> |
| 207 | 1-1/4 | 065784 | P2B-DLAH-104 |
| | 1-3/8 | 128440 | P2B-DLAH-106 |
| | 1-7/16 | 128441 | P2B-DLAH-107 |
| | 35mm | 068777 | <i>P2B-DLAH-35M</i> |
| 208 (DLB) | 1-1/2 | @ | P2B-DLBAH-108 |
| | 40mm | @ | <i>P2B-DLBAH-40M</i> |
| 209 | 1-5/8 | @ | P2B-DLAH-110L |
| | 1-11/16 | 128444 | P2B-DLAH-111 |
| | 1-3/4 | @ | P2B-DLAH-112 |
| | 45mm | 068537 | <i>P2B-DLAH-45M</i> |
| 210 | 1-15/16 | 128446 | P2B-DLAH-115 |
| | 2 | 064825 | P2B-DLAH-200 |
| | 50mm | 067783 | <i>P2B-DLAH-50M</i> |
| 211 | 2 | 128481 | P2B-DLMAH-200 |
| | 2-3/16 | 128449 | P2B-DLAH-203 |
| | 55mm | @ | <i>P2B-DLAH-55M</i> |
| 212 | 2-1/4 | 128483 | P2B-DLMAH-204 |
| | 2-7/16 | 128451 | P2B-DLAH-207 |
| | 60mm | @ | <i>P2B-DLAH-60M</i> |
| 214 | 2-1/2 | 128485 | P2B-DLMAH-208 |
| | 2-11/16 | 128452 | P2B-DLAH-211 |
| | 70mm | @ | <i>P2B-DLAH-70M</i> |
| 215 | 2-15/16 | 062187 | P2B-DLAH-215 |

@ Assembled to order

| | | | |
|--------------------------------|---------------------------|-----------------------------------|--------------------------------|
| FEATURES/BENEFITS PAGE B5-2 | NOMENCLATURE PAGE B5-4 | SELECTION/DIMENSIONS PAGE B5-8 | RELATED PRODUCTS PAGE B5-67 |
|--------------------------------|---------------------------|-----------------------------------|--------------------------------|

SELECTION/DIMENSIONS



D-LOK Ball Bearings DLAH NORMAL DUTY AIR HANDLING PILLOW BLOCKS

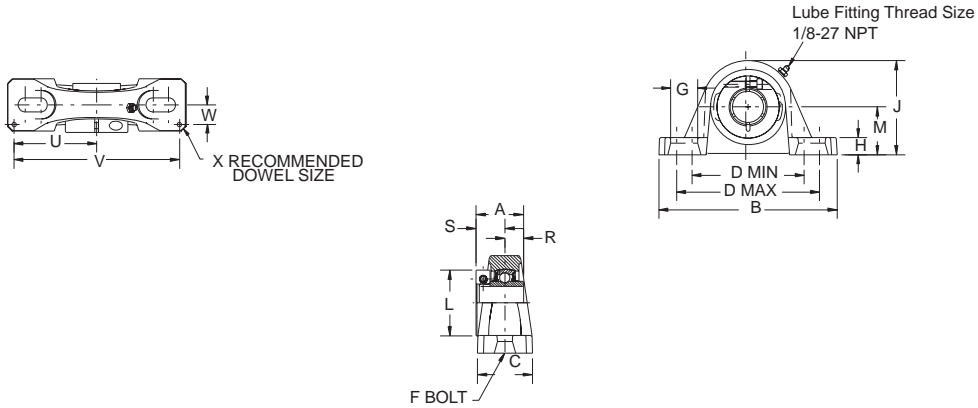
| Series | Shaft Size | Weight lbs kg | A | B | C | D | | F Bolt Dia. | G | H | J | L | M | R | S | U | V | W | X | |
|-----------|------------|---------------------|---------|--------|---------|---------|---------|-------------|--------|-------|---------|---------|---------|--------|---------|---------|---------|-------|-------|--|
| | | | | | | min. | max. | | | | | | | | | | | | | |
| 204 | 3/4 | 2.1 | 1-9/32 | 5-1/4 | 1-21/64 | 3-3/8 | 4-3/16 | 3/8 | 27/32 | 33/64 | 2-9/16 | 1-45/64 | 1-5/16 | 1/2 | 25/32 | 2-1/4 | 4-1/2 | 1/2 | 1/8 | |
| | 20mm | 1.0 | 32.5 | 133.4 | 33.7 | 85.7 | 106.4 | M10 | 21.4 | 13.1 | 65.1 | 43.3 | 33.3 | 12.7 | 19.8 | 57.2 | 114.3 | 12.7 | 3.2 | |
| 205 | 7/8 | 2.3 | 1-7/16 | 5-1/2 | 1-13/32 | 3-11/16 | 4-1/2 | 3/8 | 27/32 | 37/64 | 2-25/32 | 2 | 1-7/16 | 9/16 | 7/8 | 2-1/2 | 5 | 1/2 | 3/16 | |
| | 15/16 | 2.3 | | | | | | | | | | | | | | | | | | |
| | 1 | 2.3 | | | | | | | | | | | | | | | | | | |
| 206 (DLU) | 25mm | 1.1 | 36.5 | 139.7 | 35.7 | 93.7 | 114.3 | M10 | 21.4 | 14.7 | 70.6 | 50.8 | 36.5 | 14.3 | 22.2 | 63.5 | 127.0 | 12.7 | 4.8 | |
| | 1-1/8 | 3.8 | 1-9/16 | 6-1/4 | 1-47/64 | 4-1/4 | 5 | 1/2 | 15/16 | 3/4 | 3-5/16 | 2-7/32 | 1-11/16 | 5/8 | 15/16 | 2-7/8 | 5-3/4 | 9/16 | 3/16 | |
| | 1-3/16 | 3.7 | | | | | | | | | | | | | | | | | | |
| 207 | 1-1/4 | 3.7 | | | | | | | | | | | | | | | | | | |
| | 1-7/16 | 4.8 | | | | | | | | | | | | | | | | | | |
| | 35mm | 2.2 | 44.5 | 165.1 | 44.1 | 119.1 | 138.1 | M12 | 23.8 | 17.9 | 95.3 | 68.3 | 47.6 | 17.5 | 27.0 | 73.8 | 147.6 | 14.3 | 4.8 | |
| 208 (DLB) | 1-1/2 | 6.0 | 2 | 7-1/4 | 1-15/16 | 5-3/16 | 5-7/8 | 1/2 | 29/32 | 3/4 | 4 | 2-25/32 | 1-15/16 | 3/4 | 1-1/4 | 3-17/64 | 6-17/32 | 11/16 | 3/16 | |
| | 40mm | 2.7 | 50.8 | 184.2 | 49.2 | 131.8 | 149.2 | M12 | 23.0 | 19.1 | 101.6 | 70.6 | 49.2 | 19.1 | 31.8 | 82.9 | 165.9 | 17.5 | 4.8 | |
| 209 | 1-5/8 | 6.8 | 2 | 7-7/16 | 2 | 5-1/2 | 6-3/16 | 1/2 | 29/32 | 3/4 | 4-9/32 | 3-1/16 | 2-1/8 | 3/4 | 1-1/4 | 3-3/8 | 6-3/4 | 11/16 | 3/16 | |
| | 1-11/16 | 6.8 | | | | | | | | | | | | | | | | | | |
| | 1-3/4 | 6.7 | | | | | | | | | | | | | | | | | | |
| 210 | 45mm | 3.1 | 50.8 | 188.9 | 50.8 | 139.7 | 157.2 | M12 | 23.0 | 19.1 | 108.7 | 77.8 | 54.0 | 19.1 | 31.8 | 85.7 | 171.5 | 17.5 | 4.8 | |
| | 1-15/16 | 8.5 | 2-3/32 | 8-1/8 | 2-1/4 | 6 | 6-11/16 | 5/8 | 1-1/64 | 3/4 | 4-17/32 | 3-9/32 | 2-1/4 | 3/4 | 1-11/32 | 3-11/16 | 7-3/8 | 13/16 | 3/16 | |
| 211 | 2 | 8.4 | | | | | | | | | | | | | | | | | | |
| | 50mm | 3.9 | 53.2 | 206.4 | 57.2 | 152.4 | 169.9 | M16 | 25.8 | 19.1 | 115.1 | 83.3 | 57.2 | 19.1 | 34.1 | 93.7 | 187.3 | 20.6 | 4.8 | |
| 212 | 2 | 12.2 | 2-1/4 | 8-7/8 | 2-5/16 | 6-3/8 | 7-7/16 | 5/8 | 1-7/32 | 7/8 | 4-31/32 | 3-11/16 | 2-1/2 | 7/8 | 1-3/8 | 3-15/16 | 7-7/8 | 13/16 | 3/16 | |
| | 55mm | 5.6 | 57.2 | 225.4 | 58.7 | 161.9 | 188.9 | M16 | 31.0 | 22.2 | 126.2 | 93.7 | 63.5 | 22.2 | 34.9 | 100.0 | 200.0 | 20.6 | 4.8 | |
| 214 | 2-1/4 | 17.5 | 2-5/8 | 9 1/2 | 2-3/8 | 6-7/8 | 7-15/16 | 5/8 | 1-7/32 | 7/8 | 5-13/32 | 4-7/64 | 2-3/4 | 1 | 1-5/8 | 4-1/4 | 8-1/2 | 7/8 | 3/16 | |
| | 60mm | 7.0 | 66.7 | 241.3 | 60.3 | 174.6 | 201.6 | M16 | 31.0 | 22.2 | 137.3 | 104.4 | 69.9 | 25.4 | 41.3 | 108.0 | 215.9 | 22.2 | 4.8 | |
| 214 | 2-7/16 | 14.8 | | | | | | | | | | | | | | | | | | |
| | 70mm | 8.9 | 71.4 | 273.1 | 68.3 | 190.5 | 215.9 | M18 | 33.3 | 23.8 | 154.4 | 111.1 | 76.2 | 27.0 | 44.5 | 123.8 | 247.7 | 23.8 | 4.8 | |
| 215 | 2-1/2 | 19.4 | 2-13/16 | 10-3/4 | 2-11/16 | 7-1/2 | 8-1/2 | 3/4 | 1-5/16 | 15/16 | 6-5/64 | 4-3/8 | 3 | 1-1/16 | 1-3/4 | 4-7/8 | 9 3/4 | 15/16 | 3/16 | |
| 215 | 2-11/16 | 19.3 | | | | | | | | | | | | | | | | | | |
| 215 | 70mm | 8.9 | 71.4 | 273.1 | 68.3 | 190.5 | 215.9 | M18 | 33.3 | 23.8 | 154.4 | 111.1 | 76.2 | 27.0 | 44.5 | 123.8 | 247.7 | 23.8 | 4.8 | |
| 215 | 2-15/16 | 24.9 | 2-21/64 | 11-3/4 | 2-7/8 | 8-1/2 | 9 1/2 | 7/8 | 1-7/16 | 1 | 6-3/4 | 4-11/16 | 3-1/2 | 53/64 | 1-1/2 | ----- | ----- | ----- | ----- | |

| | | | |
|--------------------------------|---------------------------|-----------------------------------|--------------------------------|
| FEATURES/BENEFITS PAGE B5-2 | NOMENCLATURE PAGE B5-4 | SELECTION/DIMENSIONS PAGE B5-8 | RELATED PRODUCTS PAGE B5-67 |
|--------------------------------|---------------------------|-----------------------------------|--------------------------------|

SELECTION/DIMENSIONS



D-LOK Ball Bearings DLB NORMAL DUTY PILLOW BLOCKS



| Series | Shaft Size | Part No. | Description |
|--------|------------|---------------|--------------|
| 204 | 3/4 | 128721 | P2B-DLB-012 |
| | 20mm | @ | P2B-DLB-20M |
| 205 | 7/8 | 128722 | P2B-DLB-014 |
| | 15/16 | 128723 | P2B-DLB-015 |
| | 1 | 128724 | P2B-DLB-100 |
| | 25mm | 062143 | P2B-DLB-25M |
| 206 | 1-1/8 | 128725 | P2B-DLB-102 |
| | 1-3/16 | 128726 | P2B-DLB-103 |
| | 1-1/4 | 128727 | P2B-DLB-104S |
| | 30mm | @ | P2B-DLB-30M |
| 207 | 1-1/4 | 128728 | P2B-DLB-104 |
| | 1-3/8 | 128729 | P2B-DLB-106 |
| | 1-7/16 | 128730 | P2B-DLB-107 |
| | 35mm | @ | P2B-DLB-35M |
| 208 | 1-1/2 | 128710 | P2B-DLB-108 |
| | 40mm | 126605 | P2B-DLB-40M |
| 209 | 1-5/8 | 128731 | P2B-DLB-110L |
| | 1-11/16 | 128732 | P2B-DLB-111 |
| | 1-3/4 | 128733 | P2B-DLB-112 |
| 210 | 45mm | @ | P2B-DLB-45M |
| | 1-15/16 | 128734 | P2B-DLB-115 |
| | 2 | 128735 | P2B-DLB-200 |
| 211 | 50mm | @ | P2B-DLB-50M |
| | 2 | 128736 | P2B-DLB-200L |
| | 2-3/16 | 128738 | P2B-DLB-203 |
| 212 | 55mm | @ | P2B-DLB-55M |
| | 2-1/4 | 128739 | P2B-DLB-204L |
| | 2-7/16 | 128741 | P2B-DLB-207 |
| | 60mm | @ | P2B-DLB-60M |

@ Assemble to order

| | | | |
|--------------------------------|---------------------------|-----------------------------------|--------------------------------|
| FEATURES/BENEFITS PAGE B5-2 | NOMENCLATURE PAGE B5-4 | SELECTION/DIMENSIONS PAGE B5-8 | RELATED PRODUCTS PAGE B5-67 |
|--------------------------------|---------------------------|-----------------------------------|--------------------------------|

SELECTION/DIMENSIONS



D-LOK Ball Bearings DLB NORMAL DUTY PILLOW BLOCKS

| Series | Shaft Size | Weight lbs kg | A | B | C | D | | F Bolt Dia. | G | H | J | L | M | R | S | U | V | W | X | |
|--------|------------|---------------------|--------|---------|---------|---------|---------|-------------------|--------|-------|---------|---------|---------|-------|---------|---------|---------|-------|------|--|
| | | | | | | min. | max. | | | | | | | | | | | | | |
| 204 | 3/4 | 2.1 | 1-9/32 | 5-1/4 | 1-21/64 | 3-3/8 | 4-3/16 | 3/8 | 27/32 | 15/32 | 2-1/2 | 1-45/64 | 1-1/4 | 1/2 | 25/32 | 2-1/4 | 4-1/2 | 1/2 | 1/8 | |
| | 20mm | 1.0 | 32.5 | 133.4 | 33.7 | 85.7 | 106.4 | M10 | 21.4 | 11.9 | 63.5 | 43.3 | 31.8 | 12.7 | 19.8 | 57.2 | 114.3 | 12.7 | 3.2 | |
| 205 | 7/8 | 2.3 | 1-7/16 | 5-1/2 | 1-13/32 | 3-11/16 | 4-1/2 | 3/8 | 27/32 | 29/64 | 2-21/32 | 2 | 1-5/16 | 9/16 | 7/8 | 2-1/2 | 5 | 1/2 | 3/16 | |
| | 15/16 | 2.3 | | | | | | | | | | | | | | | | | | |
| | 1 | 2.3 | | | | | | | | | | | | | | | | | | |
| 206 | 25mm | 1.1 | 36.5 | 139.7 | 35.7 | 93.7 | 114.3 | M10 | 21.4 | 11.5 | 67.5 | 50.8 | 33.3 | 14.3 | 22.2 | 63.5 | 127.0 | 12.7 | 4.8 | |
| | 1-1/8 | 3.8 | 1-9/16 | 6-1/4 | 1-47/64 | 4-1/4 | 5 | 1/2 | 15/16 | 5/8 | 3-3/16 | 2-7/32 | 1-9/16 | 5/8 | 15/16 | 2-7/8 | 5-3/4 | 9/16 | 3/16 | |
| | 1-3/16 | 3.7 | | | | | | | | | | | | | | | | | | |
| 207 | 1-1/4 | 3.7 | | | | | | | | | | | | | | | | | | |
| | 1-1/4 | 3.7 | | | | | | | | | | | | | | | | | | |
| | 30mm | 1.7 | 39.7 | 158.8 | 44.1 | 108.0 | 127.0 | M12 | 23.8 | 15.9 | 81.0 | 56.4 | 39.7 | 15.9 | 23.8 | 73.0 | 146.1 | 14.3 | 4.8 | |
| 207 | 1-1/4 | 4.9 | 1-3/4 | 6-1/2 | 1-47/64 | 4-11/16 | 5-7/16 | 1/2 | 15/16 | 21/32 | 3-11/16 | 2-11/16 | 1-13/16 | 11/16 | 1-1/16 | 2-29/32 | 5-13/16 | 9/16 | 3/16 | |
| | 1-3/8 | 4.9 | | | | | | | | | | | | | | | | | | |
| | 1-7/16 | 4.8 | | | | | | | | | | | | | | | | | | |
| 208 | 35mm | 2.2 | 44.5 | 165.1 | 44.1 | 119.1 | 138.1 | M12 | 23.8 | 16.7 | 93.7 | 68.3 | 46.0 | 17.5 | 27.0 | 73.8 | 147.6 | 14.3 | 4.8 | |
| | 1-1/2 | 6.0 | 2 | 7-15/64 | 1-29/32 | 5-33/64 | 5-7/8 | 1/2 | 7/8 | 3/4 | 4 | 2-47/64 | 1-15/16 | 3/4 | 1-1/4 | 3-17/64 | 6-17/32 | 11/16 | 3/16 | |
| | 40mm | 2.7 | 50.8 | 183.8 | 48.4 | 140.1 | 149.2 | M12 | 22.2 | 19.1 | 101.6 | 69.5 | 49.2 | 19.1 | 31.8 | 82.9 | 165.9 | 17.5 | 4.8 | |
| 209 | 1-5/8 | 6.8 | 2 | 7-7/16 | 2 | 5-1/2 | 6-3/16 | 1/2 | 29/32 | 11/16 | 4-7/32 | 3-1/16 | 2-1/16 | 3/4 | 1-1/4 | 3-3/8 | 6-3/4 | 11/16 | 3/16 | |
| | 1-11/16 | 6.8 | | | | | | | | | | | | | | | | | | |
| | 1-3/4 | 6.7 | | | | | | | | | | | | | | | | | | |
| 210 | 45mm | 3.1 | 50.8 | 188.9 | 50.8 | 139.7 | 157.2 | M12 | 23.0 | 17.5 | 107.2 | 77.8 | 52.4 | 19.1 | 31.8 | 85.7 | 171.5 | 17.5 | 4.8 | |
| | 1-15/16 | 8.5 | 2-3/32 | 8-1/8 | 2-1/4 | 6 | 6-11/16 | 5/8 | 1-1/64 | 11/16 | 4-15/32 | 3-9/32 | 2-3/16 | 3/4 | 1-11/32 | 3-11/16 | 7-3/8 | 13/16 | 3/16 | |
| | 2 | 8.4 | | | | | | | | | | | | | | | | | | |
| 211 | 50mm | 3.9 | 53.2 | 206.4 | 57.2 | 152.4 | 169.9 | M16 | 25.8 | 17.5 | 113.5 | 83.3 | 55.6 | 19.1 | 34.1 | 93.7 | 187.3 | 20.6 | 4.8 | |
| | 2 | 12.2 | 2-1/4 | 8-7/8 | 2-5/16 | 6-3/8 | 7-7/16 | 5/8 | 1-7/32 | 13/16 | 4-29/32 | 3-11/16 | 2-7/16 | 7/8 | 1-3/8 | 3-15/16 | 7-7/8 | 13/16 | 3/16 | |
| | 2-3/16 | 10.3 | | | | | | | | | | | | | | | | | | |
| 212 | 55mm | 5.6 | 57.2 | 225.4 | 58.8 | 161.9 | 188.9 | M16 | 31.0 | 20.6 | 124.6 | 93.7 | 63.5 | 22.2 | 34.9 | 100.0 | 200.0 | 20.6 | 4.8 | |
| | 2-1/4 | 17.5 | 2-5/8 | 9-1/2 | 2-3/8 | 6-7/8 | 7-15/16 | 5/8 | 1-7/32 | 13/16 | 5-11/16 | 4-7/64 | 2-11/16 | 1 | 1-5/8 | 4-1/4 | 8-1/2 | 7/8 | 3/16 | |
| | 2-7/16 | 14.8 | | | | | | | | | | | | | | | | | | |
| 212 | 60mm | 7.0 | 66.7 | 241.3 | 60.3 | 174.6 | 201.6 | M16 | 31.0 | 20.6 | 144.5 | 104.4 | 68.3 | 25.4 | 41.3 | 108.0 | 215.9 | 22.2 | 4.8 | |

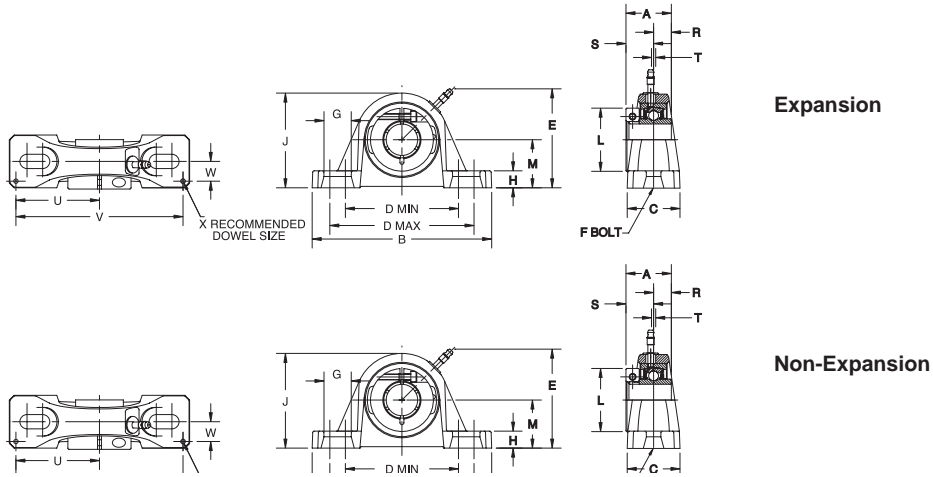
| | | | |
|--------------------------------|---------------------------|-----------------------------------|--------------------------------|
| FEATURES/BENEFITS PAGE B5-2 | NOMENCLATURE PAGE B5-4 | SELECTION/DIMENSIONS PAGE B5-8 | RELATED PRODUCTS PAGE B5-67 |
|--------------------------------|---------------------------|-----------------------------------|--------------------------------|

SELECTION/DIMENSIONS



D-LOK Ball Bearings

DLH-E EXPANSION AND DLH NON-EXPANSION NORMAL DUTY PILLOW BLOCKS



| Series | Shaft Size | Expansion | | Non-Expansion | |
|--------|------------|---------------|----------------|---------------|-------------|
| | | Part No. | Description | Part No. | Description |
| 205 | 1 | @ | P2B-DLH-100-E | @ | P2B-DLM-100 |
| | 25mm | @ | P2B-DLH-25M-E | ---- | ----- |
| 206 | 1-1/8 | @ | P2B-DLH-102-E | ---- | ----- |
| | 1-3/16 | 126450 | P2B-DLH-103-E | 128824 | P2B-DLM-103 |
| | 1-1/4 | @ | P2B-DLH-104S-E | 128707 | P2B-DL-104 |
| | 30mm | @ | P2B-DLH-30M-E | ---- | ----- |
| 207 | 1-1/4 | @ | P2B-DLH-104-E | ---- | ----- |
| | 1-3/8 | 066214 | P2B-DLH-106-E | ---- | ----- |
| | 1-7/16 | 126451 | P2B-DLH-107-E | 128825 | P2B-DLM-107 |
| | 35mm | 054455 | P2B-DLH-35M-E | 126639 | P2B-DLM-35M |
| 209 | 1-5/8 | @ | P2B-DLH-108L-E | ---- | ----- |
| | 1-11/16 | 059882 | P2B-DLH-111-E | 128827 | P2B-DLM-111 |
| | 1-3/4 | @ | P2B-DLH-112-E | 128828 | P2B-DLM-112 |
| | 45mm | @ | P2B-DLH-45M-E | ---- | ----- |
| 210 | 1-15/16 | 126452 | P2B-DLH-115-E | 128829 | P2B-DLM-115 |
| | 2 | 056676 | P2B-DLH-200-E | 128830 | P2B-DLM-200 |
| | 50mm | 068061 | P2B-DLH-50M-E | 058997 | P2B-DLM-50M |
| 211 | 2-3/16 | 126453 | P2B-DLH-203-E | 128831 | P2B-DLM-203 |
| | 55mm | @ | P2B-DLH-55M-E | ---- | ----- |
| 212 | 2-7/16 | 126454 | P2B-DLH-207-E | 128833 | P2B-DLM-207 |
| | 60mm | @ | P2B-DLH-60M-E | ---- | ----- |

@ Assembled to order

| | | | |
|--------------------------------|---------------------------|-----------------------------------|--------------------------------|
| FEATURES/BENEFITS PAGE B5-2 | NOMENCLATURE PAGE B5-4 | SELECTION/DIMENSIONS PAGE B5-8 | RELATED PRODUCTS PAGE B5-67 |
|--------------------------------|---------------------------|-----------------------------------|--------------------------------|

SELECTION/DIMENSIONS



D-LOK Ball Bearings

DLH-E EXPANSION AND DLH NON-EXPANSION NORMAL DUTY PILLOW BLOCKS

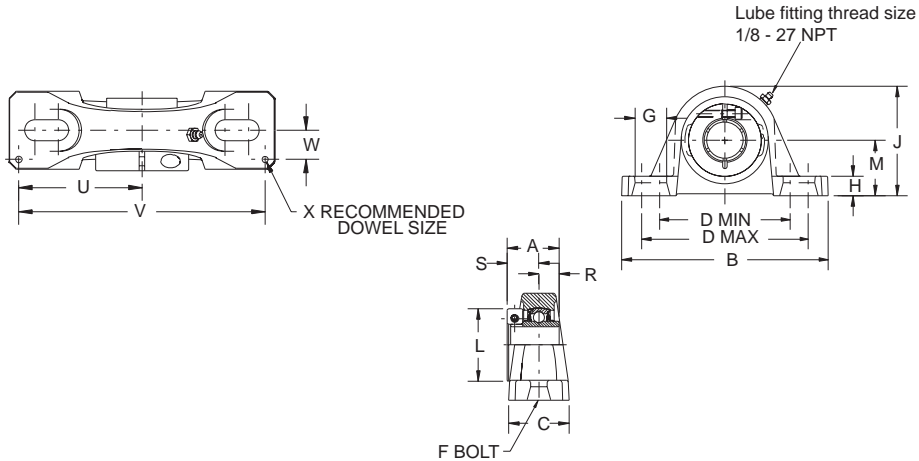
| Series | Shaft Size | Weight lbs kg | A | B | C | D | | F Bolt Dia. | G | H | J | L | M | R | S | T Total Expansion | U | V | W | X |
|--------|------------|---------------------|--------|---------|---------|--------|---------|-------------------|--------|--------|---------|---------|--------|-------|---------|-------------------------|---------|--------|-------|------|
| | | | | | | min. | max. | | | | | | | | | | | | | |
| 205 | 1 | 3.5 | 1-7/16 | 6-1/4 | 1-47/64 | 4-1/4 | 5 | 1/2 | 15/16 | 3/4 | 3-5/16 | 1-45/64 | 3-5/16 | 9/16 | 7/8 | 5/32 | 1-7/16 | 2-7/8 | 9/16 | 3/16 |
| | 25mm | 1.6 | 36.5 | 158.6 | 44.1 | 108.0 | 127.0 | M12 | 23.8 | 19.1 | 84.1 | 43.3 | 84.1 | 14.3 | 22.2 | 4.0 | 36.5 | 73.0 | 14.3 | 4.8 |
| 206 | 1-1/8 | 5.0 | 1-9/16 | 6-7/8 | 2 | 4-9/16 | 5-7/16 | 1/2 | 1 | 11/16 | 3-13/16 | 2-7/32 | 1-7/8 | 5/8 | 15/16 | 3/16 | 3-1/8 | 6-1/4 | 11/16 | 3/16 |
| | 1-3/16 | 5.0 | | | | | | | | | | | | | | | | | | |
| | 1-1/4 | 5.0 | | | | | | | | | | | | | | | | | | |
| | 30mm | 1.5 | 39.7 | 174.6 | 50.8 | 119.1 | 134.9 | M12 | 25.4 | 17.5 | 96.8 | 56.4 | 47.6 | 15.9 | 23.8 | 4.8 | 79.4 | 158.8 | 17.5 | 4.8 |
| 207 | 1-3/8 | 6.9 | 1-3/4 | 7-15/16 | 2-1/32 | 5-1/16 | 6-5/16 | 1/2 | 1-3/16 | 3/4 | 4-3/16 | 2-11/16 | 2-1/8 | 11/16 | 1-1/16 | 3/16 | 3-11/16 | 7-3/8 | 23/32 | 3/16 |
| | 1-7/16 | 6.9 | | | | | | | | | | | | | | | | | | |
| | 35mm | 2.1 | 44.5 | 201.6 | 51.6 | 128.6 | 160.3 | M12 | 30.2 | 19.1 | 106.4 | 68.3 | 54.0 | 17.5 | 27.0 | 4.8 | 93.7 | 187.3 | 18.3 | 4.8 |
| 209 | 1-5/8 | 9.2 | 2 | 8-1/8 | 2-3/8 | 6 | 6-1/2 | 5/8 | 15/16 | 3/4 | 4-9/16 | 2-63/64 | 2-1/4 | 3/4 | 1-1/4 | 1/4 | 3-11/16 | 7-3/8 | 13/16 | 3/16 |
| | 1-11/16 | 9.2 | | | | | | | | | | | | | | | | | | |
| | 1-3/4 | 9.2 | | | | | | | | | | | | | | | | | | |
| | 45mm | 2.8 | 50.8 | 206.4 | 60.3 | 152.4 | 165.1 | M12 | 23.8 | 19.1 | 115.9 | 75.8 | 57.2 | 19.1 | 31.8 | 6.4 | 93.7 | 187.3 | 20.6 | 4.8 |
| 210 | 1-15/16 | 10.8 | 2-3/32 | 9-1/2 | 2-1/2 | 6 | 7-1/2 | 5/8 | 1-7/16 | 7/8 | 5-3/32 | 3-15/64 | 2-1/2 | 3/4 | 1-11/32 | 1/4 | 4-3/8 | 8-3/4 | 7/8 | 3/16 |
| | 2 | 10.8 | | | | | | | | | | | | | | | | | | |
| | 50mm | 3.3 | 53.2 | 241.3 | 63.5 | 152.4 | 190.5 | M16 | 36.5 | 22.2 | 129.4 | 82.2 | 63.5 | 19.1 | 34.1 | 6.4 | 111.1 | 222.3 | 22.2 | 4.8 |
| 211 | 2-3/16 | 15.7 | 2-1/4 | 10-1/4 | 3 | 6-5/8 | 7-7/8 | 3/4 | 1-7/16 | 1-1/16 | 6-5/8 | 3-11/16 | 2-3/4 | 7/8 | 1-3/8 | 1/4 | 4-3/4 | 9-1/2 | 1-1/8 | 3/16 |
| | 55mm | 4.8 | 57.2 | 260.4 | 76.2 | 168.3 | 200.0 | M16 | 36.5 | 27.0 | 142.9 | 93.7 | 69.9 | 22.2 | 34.9 | 6.4 | 120.7 | 241.3 | 28.6 | 4.8 |
| 212 | 2-7/16 | 20.1 | 2-5/8 | 11-1/4 | 3-1/4 | 7-3/16 | 8-13/16 | 3/4 | 1-5/8 | 1-1/16 | 6-1/4 | 4-7/64 | 3 | 1 | 1-5/8 | 1/4 | 5-1/4 | 10-1/2 | 1-1/4 | 3/16 |
| | 60mm | 6.1 | 66.7 | 285.6 | 82.6 | 182.6 | 223.8 | M18 | 41.3 | 27.0 | 158.8 | 104.4 | 76.2 | 25.4 | 41.3 | 6.4 | 123.8 | 247.7 | 23.8 | 4.8 |

| | | | |
|--------------------------------|---------------------------|-----------------------------------|--------------------------------|
| FEATURES/BENEFITS PAGE B5-2 | NOMENCLATURE PAGE B5-4 | SELECTION/DIMENSIONS PAGE B5-8 | RELATED PRODUCTS PAGE B5-67 |
|--------------------------------|---------------------------|-----------------------------------|--------------------------------|

SELECTION/DIMENSIONS



D-LOK Ball Bearings DLM MEDIUM DUTY PILLOW BLOCKS



| Series | Shaft Size | Part No. | Description |
|------------|------------|---------------|--------------------|
| 206 | 1 | 128823 | P2B-DLMU-100 |
| 207 | 1-3/16 | 128824 | P2B-DLM-103 |
| | 1-1/4 | 128707 | P2B-DL-104 |
| 208 | 1-7/16 | 128825 | P2B-DLM-107 |
| | 35mm | 126639 | <i>P2B-DLM-35M</i> |
| 209 | 1-1/2 | 128826 | P2B-DLM-108 |
| | 1-5/8 | 128711 | P2B-DL-110L |
| 210 | 1-11/16 | 128827 | P2B-DLM-111 |
| | 1-3/4 | 128828 | P2B-DLM-112 |
| 210 (DLMB) | 1-11/16 | 068373 | P2B-DLMB-111 |
| 211 | 1-15/16 | 128829 | P2B-DLM-115 |
| | 2 | 128830 | P2B-DLM-200 |
| | 50mm | 058997 | <i>P2B-DLM-50M</i> |
| 212 | 2-3/16 | 128831 | P2B-DLM-203 |
| | 2-1/4 | 128832 | P2B-DLM-204 |
| 214 | 2-7/16 | 128833 | P2B-DLM-207 |
| | 2-1/2 | 128834 | <i>P2B-DLM-208</i> |
| | 65mm | 126640 | <i>P2B-DLM-65M</i> |
| 215 | 2-11/16 | 128696 | P2B-DLM-211 |
| 216 | 2-15/16 | 128697 | P2B-DLM-215 |
| 218 | 3-7/16 | 128698 | P2B-DLM-307 |

FEATURES/BENEFITS
PAGE B5-2

NOMENCLATURE
PAGE B5-4

SELECTION/DIMENSIONS
PAGE B5-8

RELATED PRODUCTS
PAGE B5-67

SELECTION/DIMENSIONS



D-LOK Ball Bearings DLM MEDIUM DUTY PILLOW BLOCKS

D-LOK

Type E Family

Specialty Tapered

S-2000

UNISPHERE II

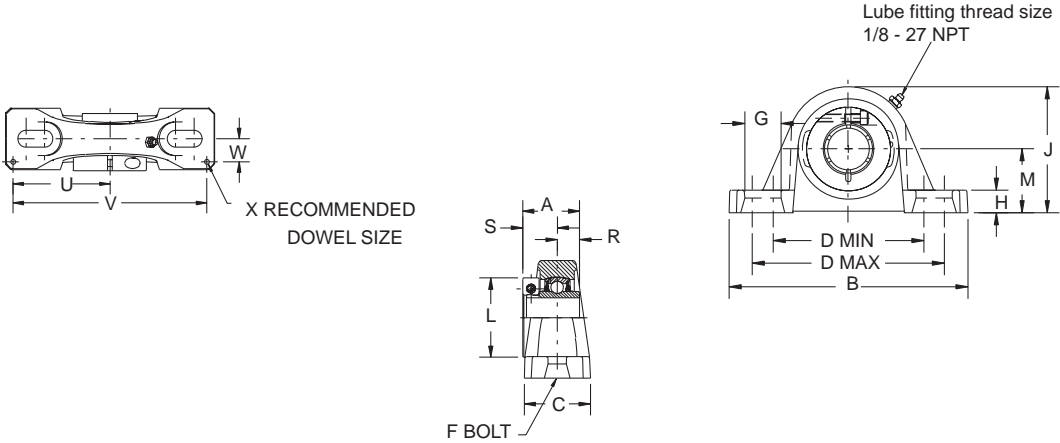
| Series | Shaft Size | Weight lbs kg | A | B | C | D | | F Bolt Dia. | G | H | J | L | M | R | S | U | V | W | X |
|---------------|------------------|---------------------|---------|--------|---------|---------|---------|-------------------|---------|--------|---------|---------|--------|--------|---------|---------|---------|-------|------|
| | | | | | | min. | max. | | | | | | | | | | | | |
| 206 | 1 | 4.2 | 1-9/16 | 6-1/4 | 1-47/64 | 4-1/4 | 5 | 1/2 | 15/16 | 3/4 | 3-5/16 | 2-7/32 | 1-3/4 | 5/8 | 15/16 | 2-7/8 | 5-3/4 | 9/16 | 3/16 |
| 207 | 1-3/16 | 5.6 | 1-3/4 | 6-1/2 | 1-47/64 | 4-11/16 | 5-7/16 | 1/2 | 15-16 | 45/64 | 3-3/4 | 2-11/16 | 1-7/8 | 11/16 | 1-1/16 | 2-29/32 | 5-13/16 | 9/16 | 3/16 |
| 208 | 1-1/4 | 4.9 | 2 | 7-1/4 | 1-15/16 | 5-3/16 | 5-7/8 | 1/2 | 29/32 | 15/16 | 4-3/16 | 2-47/64 | 2-1/8 | 3/4 | 1-1/4 | 3-17/64 | 6-17/32 | 11/16 | 3/16 |
| | 1-7/16 35mm | 7.2 3.2 | 50.8 | 184.2 | 49.2 | 131.8 | 149.2 | M12 | 23.0 | 23.8 | 106.4 | 69.5 | 54.0 | 19.1 | 31.8 | 82.9 | 165.9 | 17.5 | 4.8 |
| 209 | 1-1/2 1-5/8 | 9.2 6.8 | 2 | 7-7/16 | 2 | 5-1/2 | 6-3/16 | 1/2 | 29/32 | 15/16 | 4-15/32 | 3-1/16 | 2-5/16 | 3/4 | 1-1/4 | 3-3/8 | 6-3/4 | 11/16 | 3/16 |
| 210 | 1-11/16 1-3/4 | 10.1 10.1 | 2-3/32 | 8-1/8 | 2-1/4 | 6 | 6-11/16 | 5/8 | 1-1/64 | 13/16 | 4-19/32 | 3-9/32 | 2-5/16 | 3/4 | 1-11/32 | 3-11/16 | 7-3/8 | 13/16 | 3/16 |
| 210 (DLMB) | 1-11/16 | | 2-3/32 | 8-1/8 | 2-1/4 | 6 | 6-11/16 | 5/8 | 1-1/64 | 13/16 | 4-19/32 | 3-9/32 | | 3/4 | 1-11/32 | 3-11/16 | 7-3/8 | 13/16 | 3/16 |
| 211 | 1-15/16 | 12.3 | 2-1/4 | 8-7/8 | 2-5/16 | 6-3/8 | 7-7/16 | 5/8 | 1-7/32 | 7/8 | 4-31/32 | 3-11/16 | 2-1/2 | 7/8 | 1-3/8 | 3-15/16 | 7-7/8 | 13/16 | 3/16 |
| | 2 50mm | 12.2 5.5 | 57.2 | 225.4 | 58.8 | 161.9 | 188.9 | M16 | 31.0 | 22.2 | 126.2 | 93.7 | 63.5 | 22.2 | 34.9 | 100.0 | 200.0 | 20.6 | 4.8 |
| 212 | 2-3/16 2-1/4 | 17.5 17.5 | 2-5/8 | 9-1/2 | 2-3/8 | 6-7/8 | 7-15/16 | 5/8 | 1-7/32 | 7/8 | 5-13/32 | 4-7/64 | 2-3/4 | 1 | 1-5/8 | 4-1/4 | 8-1/2 | 7/8 | 3/16 |
| 214 | 2-7/16 | 19.4 | 2-13/16 | 10-3/4 | 2-11/16 | 7-1/2 | 8-1/2 | 3/4 | 1-5/16 | 15/16 | 6-5/64 | 4-3/8 | 3 | 1-1/16 | 1-3/4 | 4-7/8 | 9-3/4 | 15/16 | 3/16 |
| | 2-1/2 65mm | 19.4 6.9 | 71.4 | 273.1 | 68.3 | 190.5 | 215.9 | M18 | 33.3 | 23.8 | 129.0 | 111.1 | 76.2 | 27.0 | 44.5 | 123.8 | 247.7 | 23.8 | 4.8 |
| 215 | 2-11/16 | 24.9 | 2-21/64 | 11-3/4 | 2-7/8 | 8-1/2 | 9-1/2 | 7/8 | 1-7/16 | 1 | 6-3/4 | 4-11/16 | 3-1/2 | 53/64 | 1-1/2 | ----- | ----- | --- | --- |
| 216 | 2-15/16 | 25.4 | 2-31/64 | 11-3/4 | 3 | 8-1/2 | 9-1/2 | 7/8 | 1-7/16 | 1-1/4 | 6-31/32 | 5 | 3-1/2 | 27/32 | 1-41/64 | ----- | ----- | --- | --- |
| 218 | 3-7/16 | 34.9 | 2-21/32 | 14 | 3-3/8 | 10-5/16 | 11-5/8 | 7/8 | 1-19/32 | 1-5/16 | 8 | 5-1/2 | 4 | 59/64 | 1-47/64 | ----- | ----- | --- | --- |

| | | | |
|--------------------------------|---------------------------|-----------------------------------|--------------------------------|
| FEATURES/BENEFITS PAGE B5-2 | NOMENCLATURE PAGE B5-4 | SELECTION/DIMENSIONS PAGE B5-8 | RELATED PRODUCTS PAGE B5-67 |
|--------------------------------|---------------------------|-----------------------------------|--------------------------------|

SELECTION/DIMENSIONS



D-LOK Ball Bearings DLMAH MEDIUM DUTY AIR HANDLING PILLOW BLOCKS



| Series | Shaft Size | Part No. | Description |
|--------|------------|---------------|---------------|
| 206 | 1 | 128474 | P2B-DLMAH-100 |
| 207 | 1-3/16 | 128475 | P2B-DLMAH-103 |
| | 1-1/4 | 065784 | P2B-DLAH-104 |
| 208 | 1-7/16 | 128476 | P2B-DLMAH-107 |
| 209 | 1-1/2 | 128477 | P2B-DLMAH-108 |
| | 1-5/8 | @ | P2B-DLAH-110L |
| 210 | 1-11/16 | 128478 | P2B-DLMAH-111 |
| | 1-3/4 | 128479 | P2B-DLMAH-112 |
| 211 | 1-15/16 | 128480 | P2B-DLMAH-115 |
| | 2 | 128481 | P2B-DLMAH-200 |
| 212 | 2-3/16 | 128482 | P2B-DLMAH-203 |
| | 2-1/4 | 128483 | P2B-DLMAH-204 |
| 214 | 2-7/16 | 128484 | P2B-DLMAH-207 |
| | 2-1/2 | 128485 | P2B-DLMAH-208 |
| 215 | 2-11/16 | 128488 | P2B-DLMAH-211 |
| 216 | 2-15/16 | 128489 | P2B-DLMAH-215 |
| 218 | 3-7/16 | 128490 | P2B-DLMAH-307 |

@ Assembled to order

FEATURES/BENEFITS
PAGE B5-2

NOMENCLATURE
PAGE B5-4

SELECTION/DIMENSIONS
PAGE B5-8

RELATED PRODUCTS
PAGE B5-67

SELECTION/DIMENSIONS



D-LOK Ball Bearings

DLMAH MEDIUM DUTY AIR HANDLING PILLOW BLOCKS

D-LOK

Type E Family

Speciality Tapered

S-2000

UNISPHERE II

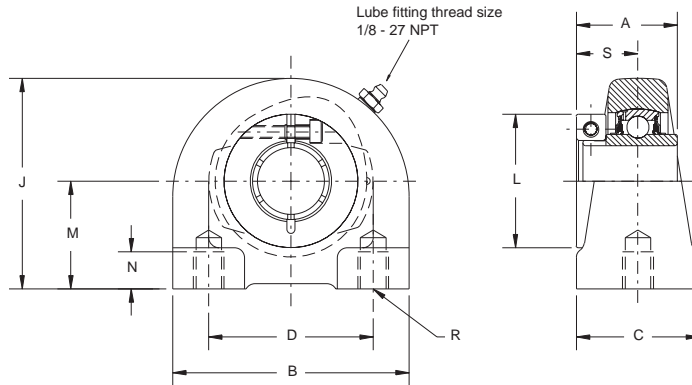
| Series | Shaft Size | Weight lbs | A | B | C | D | | F Bolt Dia. | G | H | J | L | M | R | S | U | V | W | X |
|--------|------------------|--------------|---------|--------|---------|---------|---------|-------------|---------|--------|---------|---------|--------|--------|---------|---------|---------|-------|-------|
| | | | | | | min. | max. | | | | | | | | | | | | |
| 206 | 1 | 4.2 | 1-9/16 | 6-1/4 | 1-47/64 | 4-1/4 | 5 | 1/2 | 15/16 | 3/4 | 3-5/16 | 2-7/32 | 1-3/4 | 5/8 | 15/16 | 2-7/8 | 5-3/4 | 9/16 | 3/16 |
| 207 | 1-3/16 1-1/4 | 5.6 4.9 | 1-3/4 | 6-1/2 | 1-47/64 | 4-11/16 | 5-7/16 | 1/2 | 15-16 | 45/64 | 3-3/4 | 2-11/16 | 1-7/8 | 11/16 | 1-1/16 | 2-29/32 | 5-13/16 | 9/16 | 3/16 |
| 208 | 1-7/16 | 7.2 | 2 | 7-1/4 | 1-15/16 | 5-3/16 | 5-7/8 | 1/2 | 29/32 | 15/16 | 4-3/16 | 2-47/64 | 2-1/8 | 3/4 | 1-1/4 | 3-17/64 | 6-17/32 | 11/16 | 3/16 |
| 209 | 1-1/2 1-5/8 | 9.2 6.8 | 2 | 7-7/16 | 2 | 5-1/2 | 6-3/16 | 1/2 | 29/32 | 15/16 | 4-15/32 | 3-1/16 | 2-5/16 | 3/4 | 1-1/4 | 3-3/8 | 6-3/4 | 11/16 | 3/16 |
| 210 | 1-11/16 1-3/4 | 10.1 10.1 | 2-3/32 | 8-1/8 | 2-1/4 | 6 | 6-11/16 | 5/8 | 1-1/64 | 13/16 | 4-19/32 | 3-9/32 | 2-5/16 | 3/4 | 1-11/32 | 3-11/16 | 7-3/8 | 13/16 | 3/16 |
| 211 | 1-15/16 2 | 12.3 12.2 | 2-1/4 | 8-7/8 | 2-5/16 | 6-3/8 | 7-7/16 | 5/8 | 1-7/32 | 7/8 | 4-31/32 | 3-11/16 | 2-1/2 | 7/8 | 1-3/8 | 3-15/16 | 7-7/8 | 13/16 | 3/16 |
| 212 | 2-3/16 2-1/4 | 17.5 17.5 | 2-5/8 | 9-1/2 | 2-3/8 | 6-7/8 | 7-15/16 | 5/8 | 1-7/32 | 7/8 | 5-13/32 | 4-7/64 | 2-3/4 | 1 | 1-5/8 | 4-1/4 | 8-1/2 | 7/8 | 3/16 |
| 214 | 2-7/16 2-1/2 | 19.4 19.4 | 2-13/16 | 10-3/4 | 2-11/16 | 7-1/2 | 8-1/2 | 3/4 | 1-5/16 | 15/16 | 6-5/64 | 4-3/8 | 3 | 1-1/16 | 1-3/4 | 4-7/8 | 9-3/4 | 15/16 | 3/16 |
| 215 | 2-11/16 | 24.9 | 2-21/64 | 11-3/4 | 2-7/8 | 8-1/2 | 9 1/2 | 7/8 | 1-7/16 | 1 | 6-3/4 | 4-11/16 | 3-1/2 | 53/64 | 1-1/2 | ----- | ----- | ----- | ----- |
| 216 | 2-15/16 | 25.4 | 2-31/64 | 11-3/4 | 3 | 8-1/2 | 9 1/2 | 7/8 | 1-7/16 | 1-1/4 | 6-31/32 | 5 | 3-1/2 | 27/32 | 1-41/64 | ----- | ----- | ----- | ----- |
| 218 | 3-7/16 | 34.9 | 2-21/32 | 14 | 3-3/8 | 10-5/16 | 11-5/8 | 7/8 | 1-19/32 | 1-5/16 | 8 | 5-1/2 | 4 | 59/64 | 1-47/64 | ----- | ----- | ----- | ----- |

| | | | |
|--------------------------------|---------------------------|-----------------------------------|--------------------------------|
| FEATURES/BENEFITS PAGE B5-2 | NOMENCLATURE PAGE B5-4 | SELECTION/DIMENSIONS PAGE B5-8 | RELATED PRODUCTS PAGE B5-67 |
|--------------------------------|---------------------------|-----------------------------------|--------------------------------|

SELECTION/DIMENSIONS



D-LOK Ball Bearings DL NORMAL DUTY TAPPED BASE PILLOW BLOCKS



| Series | Shaft Size | Part No. | Description |
|--------|------------|---------------|-------------|
| 204 | 3/4 | 128742 | TB-DL-012 |
| | 20mm | @ | TB-DL-20M |
| 205 | 7/8 | 053011 | TB-DL-014 |
| | 15/16 | 128743 | TB-DL-015 |
| | 1 | 128744 | TB-DL-100 |
| | 25mm | @ | TB-DL-25M |
| 206 | 1-1/8 | 128745 | TB-DL-102 |
| | 1-3/16 | 128746 | TB-DL-103 |
| | 1-1/4 | 128747 | TB-DL-104S |
| | 30mm | @ | TB-DL-30M |
| 207 | 1-1/4 | 128748 | TB-DL-104 |
| | 1-3/8 | 128749 | TB-DL-106 |
| | 1-7/16 | 128750 | TB-DL-107 |
| | 35mm | @ | TB-DL-35M |
| 208 | 1-1/2 | 128751 | TB-DL-108 |
| | 40mm | @ | TB-DL-40M |
| 209 | 1-5/8 | 128752 | TB-DL-110L |
| | 1-11/16 | 128753 | TB-DL-111 |
| | 1-3/4 | 128754 | TB-DL-112 |
| | 45mm | @ | TB-DL-45M |
| 210 | 1-15/16 | 128755 | TB-DL-115 |
| | 2 | 128756 | TB-DL-200 |
| | 50mm | @ | TB-DL-50M |

@ Assembled to order

FEATURES/BENEFITS
PAGE B5-2

NOMENCLATURE
PAGE B5-4

SELECTION/DIMENSIONS
PAGE B5-8

RELATED PRODUCTS
PAGE B5-67

SELECTION/DIMENSIONS



D-LOK Ball Bearings DL NORMAL DUTY TAPPED BASE PILLOW BLOCKS

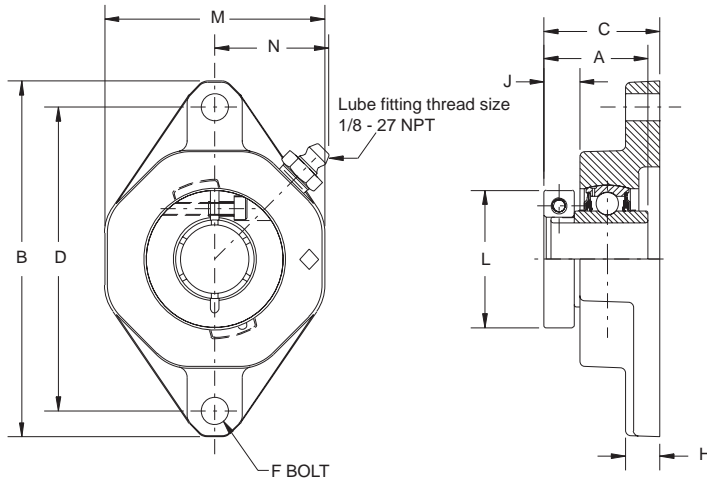
| Series | Shaft Size | Weight lbs kg | A | B | C | D | J | L | M | N Min. Tap Depth | R Bolt Hole UNC-Thread | S |
|--------|------------|------------------|--------|-------|-------|-------|---------|---------|---------|------------------------|------------------------------|---------|
| 204 | 3/4 | 1.9 | 1-9/32 | 2-7/8 | 1-1/2 | 2 | 2-9/16 | 1-45/64 | 1-5/16 | 1/2 | 3/8-16 | 25/32 |
| | 20mm | 0.9 | 32.5 | 73.0 | 38.1 | 50.8 | 65.1 | 43.3 | 33.3 | 12.7 | M8 x 1.25 | 19.8 |
| 205 | 7/8 | 2.1 | 1-7/16 | 3 | 1-1/2 | 2 | 2-13/16 | 2 | 1-7/16 | 1/2 | 3/8-16 | 7/8 |
| | 15/16 | 2.0 | | | | | | | | | | |
| | 1 | 1.9 | | | | | | | | | | |
| | 25mm | 1.0 | 36.5 | 76.2 | 38.1 | 50.8 | 71.4 | 50.8 | 36.5 | 12.7 | M10 x 1.5 | 22.2 |
| 206 | 1-1/8 | 3.6 | 1-9/16 | 4 | 1-1/2 | 3 | 3-3/8 | 2-7/32 | 1-11/16 | 5/8 | 7/16-14 | 15/16 |
| | 1-3/16 | 3.5 | | | | | | | | | | |
| | 1-1/4 | 3.5 | | | | | | | | | | |
| | 30mm | 1.7 | 39.7 | 101.6 | 38.1 | 76.2 | 85.7 | 56.4 | 42.9 | 15.9 | M10 x 1.5 | 23.8 |
| 207 | 1-1/4 | 4.7 | 1-3/4 | 4-1/4 | 1-7/8 | 3-1/4 | 3-3/4 | 2-11/16 | 1-7/8 | 3/4 | 1/2-13 | 1-1/16 |
| | 1-3/8 | 4.7 | | | | | | | | | | |
| | 1-7/16 | 4.6 | | | | | | | | | | |
| | 35mm | 2.2 | 44.5 | 108.0 | 47.6 | 82.6 | 95.3 | 68.3 | 47.6 | 19.1 | M10 x 1.5 | 27.0 |
| 208 | 1-1/2 | 6.2 | 2 | 4-5/8 | 1-7/8 | 3-1/2 | 3-15/16 | 2-25/32 | 1-15/16 | 3/4 | 1/2-13 | 1-1/4 |
| | 40mm | 2.8 | 50.8 | 117.5 | 47.6 | 88.9 | 100.0 | 70.6 | 49.2 | 19.1 | M12 x 1.75 | 31.8 |
| 209 | 1-5/8 | 6.7 | 2 | 5 | 2 | 3-3/4 | 4-1/4 | 3-1/16 | 2-1/8 | 3/4 | 1/2-13 | 1-1/4 |
| | 1-11/16 | 6.7 | | | | | | | | | | |
| | 1-3/4 | 6.6 | | | | | | | | | | |
| | 45mm | 3.1 | 50.8 | 127.0 | 50.8 | 95.3 | 108.0 | 77.8 | 54.0 | 19.1 | M12 x 1.75 | 31.8 |
| 210 | 1-15/16 | 8.6 | 2-3/32 | 5-1/2 | 2 | 4 | 4-5/8 | 3-9/32 | 2-1/4 | 7/8 | 5/8-11 | 1-11/32 |
| | 2 | 8.5 | | | | | | | | | | |
| | 50mm | 3.9 | 53.2 | 139.7 | 50.8 | 101.6 | 117.5 | 83.3 | 57.2 | 22.2 | M16 x 2 | 34.1 |

| | | | |
|--------------------------------|---------------------------|-----------------------------------|--------------------------------|
| FEATURES/BENEFITS PAGE B5-2 | NOMENCLATURE PAGE B5-4 | SELECTION/DIMENSIONS PAGE B5-8 | RELATED PRODUCTS PAGE B5-67 |
|--------------------------------|---------------------------|-----------------------------------|--------------------------------|

SELECTION/DIMENSIONS



D-LOK Ball Bearings DL NORMAL DUTY 2-BOLT FLANGE BEARINGS



| Series | Shaft Size | Standard | | No Lube/Sealed for Life (-NL) | |
|--------|------------|---------------|-------------------|-------------------------------|----------------------|
| | | Part No. | Description | Part No. | Description |
| 204 | 3/4 | 128757 | F2B-DL-012 | 052931 | F2B-DL-012-NL |
| | 20mm | 126611 | <i>F2B-DL-20M</i> | @ | <i>F2B-DL-20M-NL</i> |
| 205 | 7/8 | 128758 | F2B-DL-014 | @ | F2B-DL-014-NL |
| | 15/16 | 128759 | F2B-DL-015 | 059850 | F2B-DL-015-NL |
| | 1 | 128760 | F2B-DL-100 | 052984 | F2B-DL-100-NL |
| | 25mm | 126612 | <i>F2B-DL-25M</i> | 059680 | <i>F2B-DL-25M-NL</i> |
| 206 | 1-1/8 | 128761 | F2B-DL-102 | @ | F2B-DL-102-NL |
| | 1-3/16 | 128762 | F2B-DL-103 | @ | F2B-DL-103-NL |
| | 1-1/4 | 128763 | F2B-DL-104S | @ | F2B-DL-104S-NL |
| | 30mm | 126613 | <i>F2B-DL-30M</i> | @ | <i>F2B-DL-30M-NL</i> |
| 207 | 1-1/4 | 128764 | F2B-DL-104 | 058625 | F2B-DL-104-NL |
| | 1-3/8 | 128765 | F2B-DL-106 | @ | F2B-DL-106-NL |
| | 1-7/16 | 128766 | F2B-DL-107 | 056961 | F2B-DL-107-NL |
| | 35mm | 126614 | <i>F2B-DL-35M</i> | 065658 | <i>F2B-DL-35M-NL</i> |
| 208 | 1-1/2 | 128767 | F2B-DL-108 | 059857 | F2B-DL-108-NL |
| | 40mm | 126615 | <i>F2B-DL-40M</i> | @ | <i>F2B-DL-40M-NL</i> |
| 209 | 1-5/8 | 128768 | F2B-DL-110L | @ | F2B-DL-110L-NL |
| | 1-11/16 | 128769 | F2B-DL-111 | 056962 | F2B-DL-111-NL |
| | 1-3/4 | 128770 | F2B-DL-112 | 054142 | F2B-DL-112-NL |
| | 45mm | 126616 | <i>F2B-DL-45M</i> | @ | <i>F2B-DL-45M-NL</i> |
| 210 | 1-15/16 | 128771 | F2B-DL-115 | 056967 | F2B-DL-115-NL |
| | 2 | 128772 | F2B-DL-200 | @ | F2B-DL-200-NL |
| | 50mm | 126617 | <i>F2B-DL-50M</i> | @ | <i>F2B-DL-50M-NL</i> |
| 211 | 2 | 128842 | F2B-DLM-200 | @ | F2B-DLM-200-NL |
| | 2-3/16 | 128774 | F2B-DL-203 | @ | F2B-DL-203-NL |
| | 55mm | 126618 | <i>F2B-DL-55M</i> | @ | <i>F2B-DL-55M-NL</i> |

@ Assembled to order

| | | | |
|--------------------------------|---------------------------|-----------------------------------|--------------------------------|
| FEATURES/BENEFITS PAGE B5-2 | NOMENCLATURE PAGE B5-4 | SELECTION/DIMENSIONS PAGE B5-8 | RELATED PRODUCTS PAGE B5-67 |
|--------------------------------|---------------------------|-----------------------------------|--------------------------------|

SELECTION/DIMENSIONS



D-LOK Ball Bearings DL NORMAL DUTY 2-BOLT FLANGE BEARINGS

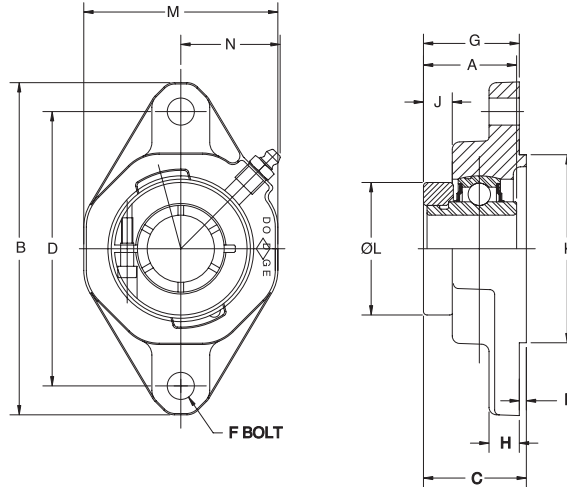
| Series | Shaft Size | Weight lbs kg | A | B | C | D | F Bolt Dia. | H | J | L | M | N |
|--------|------------|---------------------|--------|---------|---------|---------|-------------------|-------|-------|---------|--------|---------|
| 204 | 3/4 | 1.4 | 1-9/32 | 4-27/64 | 1-11/32 | 3-17/32 | 3/8 | 13/32 | 3/8 | 1-45/64 | 2-3/8 | 1-3/8 |
| | 20mm | 0.6 | 32.5 | 112.3 | 34.1 | 89.7 | M10 | 10.3 | 9.5 | 43.3 | 60.3 | 34.9 |
| 205 | 7/8 | 1.8 | 1-7/16 | 4-7/8 | 1-1/2 | 3-57/64 | 7/16 | 15/32 | 15/32 | 2 | 2-3/4 | 1-9/16 |
| | 15/16 | 1.8 | | | | | | | | | | |
| | 1 | 1.8 | | | | | | | | | | |
| 206 | 25mm | 0.8 | 36.5 | 123.8 | 38.1 | 98.8 | M10 | 11.9 | 11.9 | 50.8 | 69.9 | 39.7 |
| | 1-1/8 | 2.4 | 1-9/16 | 5-9/16 | 1-5/8 | 4-19/32 | 7/16 | 17/32 | 31/64 | 2-7/32 | 3-1/4 | 1-3/4 |
| | 1-3/16 | 2.4 | | | | | | | | | | |
| | 1-1/4 | 2.3 | | | | | | | | | | |
| 207 | 30mm | 1.1 | 39.7 | 141.3 | 41.3 | 116.7 | M10 | 13.5 | 12.3 | 56.4 | 82.6 | 44.5 |
| | 1-1/4 | 3.5 | 1-3/4 | 6-1/8 | 1-13/16 | 5-1/8 | 1/2 | 35/64 | 9/16 | 2-11/16 | 3-3/4 | 1-57/64 |
| | 1-3/8 | 3.5 | | | | | | | | | | |
| | 1-7/16 | 3.4 | | | | | | | | | | |
| 208 | 35mm | 1.6 | 44.5 | 155.6 | 46.0 | 130.2 | M12 | 13.9 | 14.3 | 68.3 | 95.3 | 48.0 |
| | 1-1/2 | 4.8 | 2 | 6-3/4 | 2-5/64 | 5-21/32 | 1/2 | 17/32 | 21/32 | 2-47/64 | 4-1/8 | 1-7/8 |
| | 40mm | 2.2 | 50.8 | 171.5 | 52.8 | 143.7 | M12 | 13.5 | 16.7 | 69.5 | 104.8 | 47.6 |
| 209 | | 5.2 | 2 | 7-1/16 | 2-7/64 | 5-27/32 | 9/16 | 9/16 | 21/32 | 2-63/64 | 4-3/8 | 1-31/32 |
| | 1-5/8 | 5.2 | | | | | | | | | | |
| | 1-11/16 | 5.2 | | | | | | | | | | |
| | 1-3/4 | 5.2 | | | | | | | | | | |
| 210 | 45mm | 2.4 | 50.8 | 179.4 | 53.6 | 148.4 | M16 | 14.3 | 16.7 | 75.8 | 111.1 | 50.0 |
| | 1-15/16 | 6.0 | 2-3/32 | 7-7/16 | 2-7/32 | 6-3/16 | 9/16 | 35/64 | 11/16 | 3-15/64 | 4-9/16 | 2-1/32 |
| | 2 | 5.9 | | | | | | | | | | |
| 211 | 50mm | 2.7 | 53.2 | 188.9 | 56.4 | 157.2 | M16 | 13.9 | 17.5 | 82.1 | 115.9 | 51.6 |
| | 2 | 9.1 | 2-1/4 | 8-1/2 | 2-3/8 | 7-1/4 | 5/8 | 19/32 | 11/16 | 3-11/16 | 5-1/4 | 2-9/32 |
| | 2-3/16 | 9.1 | | | | | | | | | | |
| | 55mm | 4.1 | 57.2 | 215.9 | 60.3 | 184.2 | M16 | 15.1 | 17.5 | 93.7 | 133.4 | 57.9 |

| | | | |
|--------------------------------|---------------------------|-----------------------------------|--------------------------------|
| FEATURES/BENEFITS PAGE B5-2 | NOMENCLATURE PAGE B5-4 | SELECTION/DIMENSIONS PAGE B5-8 | RELATED PRODUCTS PAGE B5-67 |
|--------------------------------|---------------------------|-----------------------------------|--------------------------------|

SELECTION/DIMENSIONS



D-LOK Ball Bearings DL NORMAL DUTY 2-BOLT PILOTED FLANGE BEARINGS



| Series | Shaft Size | Part No. | Description |
|--------|------------|---------------|--------------|
| 204 | 3/4 | 056696 | F2BZ-DL-012 |
| | 20mm | 126646 | F2BZ-DL-20M |
| 205 | 7/8 | 067997 | F2BZ-DL-014 |
| | 15/16 | @ | F2BZ-DL-015 |
| | 1 | 056867 | F2BZ-DL-100 |
| | 25mm | 126647 | F2BZ-DL-25M |
| 206 | 1-1/8 | @ | F2BZ-DL-102 |
| | 1-3/16 | @ | F2BZ-DL-103 |
| | 1-1/4 | 064473 | F2BZ-DL-104S |
| | 30mm | 126648 | F2BZ-DL-30M |
| 207 | 1-1/4 | @ | F2BZ-DL-104 |
| | 1-3/8 | @ | F2BZ-DL-106 |
| | 1-7/16 | @ | F2BZ-DL-107 |
| | 35mm | 126649 | F2BZ-DL-35M |
| 208 | 1-1/2 | 065770 | F2BZ-DL-108 |
| | 40mm | 126650 | F2BZ-DL-40M |
| 209 | 1-5/8 | @ | F2BZ-DL-110L |
| | 1-11/16 | @ | F2BZ-DL-111 |
| | 1-3/4 | @ | F2BZ-DL-112 |
| | 45mm | 126651 | F2BZ-DL-45M |
| 210 | 1-15/16 | 067958 | F2BZ-DL-115 |
| | 2 | 065771 | F2BZ-DL-200 |
| | 50mm | 126652 | F2BZ-DL-50M |

@ Assembled to order

FEATURES/BENEFITS
PAGE B5-2

NOMENCLATURE
PAGE B5-4

SELECTION/DIMENSIONS
PAGE B5-8

RELATED PRODUCTS
PAGE B5-67

SELECTION/DIMENSIONS



D-LOK Ball Bearings DL NORMAL DUTY 2-BOLT PILOTED FLANGE BEARINGS

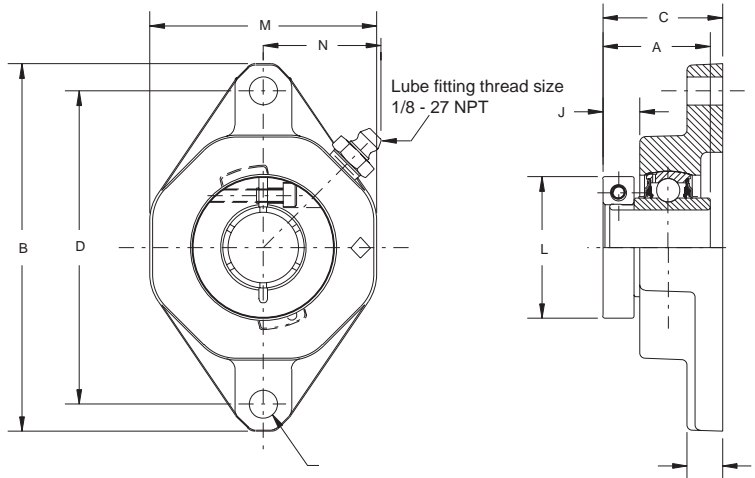
| Series | Shaft Size | Weight lbs kg | A | B | C | D | E | F Bolt Dia. | G | H | J | K | L | M | N |
|--------|------------|---------------------|--------|---------|---------|---------|-------|-------------------|---------|-------|-------|--------|---------|--------|---------|
| 204 | 3/4 | 1.4 | 1-9/32 | 4-27/64 | 1-17/32 | 3-17/32 | 0.138 | 3/8 | 1-25/64 | 29/64 | 3/8 | 2.1654 | 1-45/64 | 2-3/8 | 1-3/8 |
| | 20mm | 0.6 | 32.5 | 112.3 | 38.8 | 89.7 | 3.5 | M10 | 35.3 | 11.5 | 9.5 | 55.0 | 43.3 | 60.3 | 34.9 |
| 205 | 7/8 | 1.8 | 1-7/16 | 4-7/8 | 1-5/8 | 3-57/64 | 0.138 | 7/16 | 1-31/64 | 29/64 | 15/32 | 2.3622 | 2 | 2-3/4 | 1-9/16 |
| | 15/16 | 1.8 | | | | | | | | | | | | | |
| | 1 | 1.8 | | | | | | | | | | | | | |
| | 25mm | 0.8 | 36.5 | 123.8 | 41.1 | 98.8 | 3.5 | M10 | 37.6 | 11.5 | 11.9 | 60.0 | 50.8 | 69.9 | 39.7 |
| 206 | 1-1/8 | 2.4 | 1-9/16 | 5-9/16 | 1-51/64 | 4-19/32 | 0.118 | 7/16 | 1-43/64 | 1/2 | 31/64 | 3.1496 | 2-7/32 | 3-1/4 | 1-3/4 |
| | 1-3/16 | 2.4 | | | | | | | | | | | | | |
| | 1-1/4 | 2.3 | | | | | | | | | | | | | |
| | 30mm | 1.1 | 39.7 | 141.3 | 45.4 | 116.7 | 3.0 | M10 | 42.4 | 12.7 | 12.3 | 80.0 | 56.4 | 82.6 | 44.5 |
| 207 | 1-1/4 | 3.5 | 1-3/4 | 6-1/8 | 1-57/64 | 5-1/8 | 0.158 | 1/2 | 1-47/64 | 31/64 | 9/16 | 3.5433 | 2-11/16 | 3-3/4 | 1-57/64 |
| | 1-3/8 | 3.5 | | | | | | | | | | | | | |
| | 1-7/16 | 3.4 | | | | | | | | | | | | | |
| | 35mm | 1.6 | 44.5 | 155.6 | 48.0 | 130.2 | 4.0 | M12 | 44.0 | 12.3 | 14.3 | 90.0 | 68.3 | 95.3 | 48.0 |
| 208 | 1-1/2 | 4.8 | 2 | 6-3/4 | 2-13/64 | 5-21/32 | 0.158 | 1/2 | 2-1/32 | 1/2 | 21/32 | 3.9370 | 2-47/64 | 4-1/8 | 1-7/8 |
| | 40mm | 2.2 | 50.8 | 171.5 | 55.8 | 143.7 | 4.0 | M12 | 51.8 | 12.7 | 16.7 | 100.0 | 69.5 | 104.8 | 47.6 |
| 209 | 1-5/8 | 5.2 | 2 | 7-1/16 | 2-13/64 | 5-27/32 | 0.158 | 1/2 | 2-1/32 | 31/64 | 21/32 | 4.1339 | 2-63/64 | 4-3/8 | 1-31/32 |
| | 1-11/16 | 5.2 | | | | | | | | | | | | | |
| | 1-3/4 | 5.2 | | | | | | | | | | | | | |
| | 45mm | 2.4 | 50.8 | 179.4 | 55.8 | 148.4 | 4.0 | M12 | 51.8 | 12.3 | 16.7 | 105.0 | 75.8 | 111.1 | 50.0 |
| 210 | 1-15/16 | 6.0 | 2-3/32 | 7-7/16 | 2-29/64 | 6-3/16 | 0.158 | 9/16 | 2-19/64 | 5/8 | 11/16 | 4.1339 | 3-15/64 | 4-9/16 | 2-1/32 |
| | 2 | 5.9 | | | | | | | | | | | | | |
| | 50mm | 2.6 | 53.2 | 188.9 | 62.1 | 157.2 | 4.0 | M16 | 58.1 | 15.9 | 17.5 | 105.0 | 82.2 | 115.9 | 51.6 |

| | | | |
|--------------------------------|---------------------------|-----------------------------------|--------------------------------|
| FEATURES/BENEFITS PAGE B5-2 | NOMENCLATURE PAGE B5-4 | SELECTION/DIMENSIONS PAGE B5-8 | RELATED PRODUCTS PAGE B5-67 |
|--------------------------------|---------------------------|-----------------------------------|--------------------------------|

SELECTION/DIMENSIONS



D-LOK Ball Bearings DLM MEDIUM DUTY 2-BOLT FLANGE BEARINGS



| Series | Shaft Size | Part No. | Description |
|--------|------------|---------------|-------------|
| 206 | 1 | 128835 | F2B-DLM-100 |
| 207 | 1-3/16 | 128836 | F2B-DLM-103 |
| | 1-1/4 | 128764 | F2B-DL-104 |
| 208 | 1-7/16 | 128837 | F2B-DLM-107 |
| | 35mm | 126641 | F2B-DLM-35M |
| 209 | 1-1/2 | 128838 | F2B-DLM-108 |
| 210 | 1-11/16 | 128839 | F2B-DLM-111 |
| | 1-3/4 | 128840 | F2B-DLM-112 |
| 211 | 1-15/16 | 128841 | F2B-DLM-115 |
| | 2 | 128842 | F2B-DLM-200 |

D-LOK

Type E Family

Specialty Tapered

S-2000

UNISPHERE II

FEATURES/BENEFITS
PAGE B5-2

NOMENCLATURE
PAGE B5-4

SELECTION/DIMENSIONS
PAGE B5-8

RELATED PRODUCTS
PAGE B5-67

SELECTION/DIMENSIONS



D-LOK Ball Bearings DLM MEDIUM DUTY 2-BOLT FLANGE BEARINGS

D-LOK

Type E Family

Speciality Tapered

S-2000

UNISPHERE II

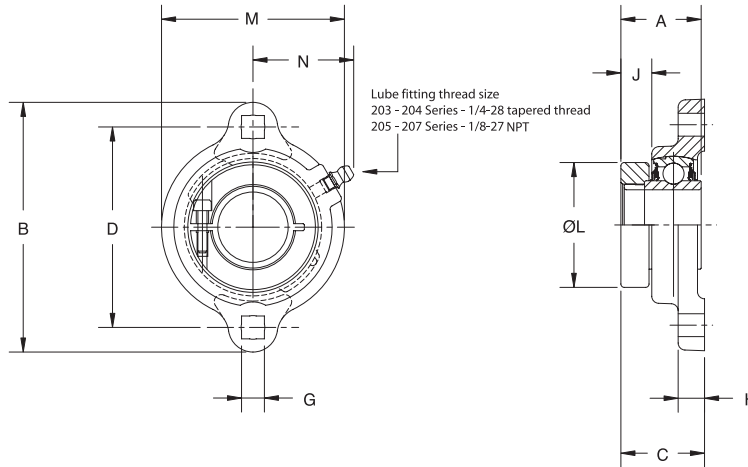
| Series | Shaft Size | Weight lbs kg | A | B | C | D | F Bolt Dia. | H | J | L | M | N |
|--------|------------------|---------------------|-----------|----------------|----------------|------------------|-------------------|---------------|---------------|-----------------|----------------|---------------|
| 206 | 1 | 2.6 | 1-9/16 | 5-9/16 | 1-5/8 | 4-19/32 | 7/16 | 17/32 | 31/64 | 2-7/32 | 3-1/4 | 1-3/4 |
| 207 | 1-3/16 1-1/4 | 3.7 3.5 | 1-3/4 | 6-1/8 | 1-13/16 | 5-1/8 | 1/2 | 35/64 | 9/16 | 2-11/16 | 3-3/4 | 1-57/64 |
| 208 | 1-7/16 35mm | 5.0 2.2 | 2 50.8 | 6-3/4 171.5 | 2-5/64 52.8 | 5-21/32 143.7 | 1/2 M12 | 17/32 13.5 | 21/32 16.7 | 2-47/64 69.5 | 4-1/8 104.8 | 1-7/8 47.6 |
| 209 | 1-1/2 | 5.6 | 2 | 7-1/16 | 2-7/64 | 5-27/32 | 9/16 | 17/32 | 21/32 | 2-47/64 | 4-3/8 | 1-31/32 |
| 210 | 1-11/16 1-3/4 | 6.2 6.1 | 2-3/32 | 7-7/16 | 2-7/32 | 6-3/16 | 9/16 | 35/64 | 11/16 | 3-15/64 | 4-9/16 | 2-1/32 |
| 211 | 1-15/16 2 | 9.2 9.1 | 2-1/4 | 8-1/2 | 2-3/8 | 7-1/4 | 5/8 | 19/32 | 11/16 | 3-11/16 | 5-1/4 | 2-9/32 |

| | | | |
|--------------------------------|---------------------------|-----------------------------------|--------------------------------|
| FEATURES/BENEFITS PAGE B5-2 | NOMENCLATURE PAGE B5-4 | SELECTION/DIMENSIONS PAGE B5-8 | RELATED PRODUCTS PAGE B5-67 |
|--------------------------------|---------------------------|-----------------------------------|--------------------------------|

SELECTION/DIMENSIONS



D-LOK Ball Bearings DL LFT NORMAL DUTY 2-BOLT FLANGE BEARINGS



| Series | Shaft Size | Part No. | Description |
|--------|------------|---------------|-------------|
| 204 | 3/4 | @ | LFT-DL-012 |
| 205 | 7/8 | 053140 | LFT-DL-014 |
| | 15/16 | 062525 | LFT-DL-015 |
| | 1 | 052668 | LFT-DL-100 |
| 206 | 1-1/8 | @ | LFT-DL-102 |
| | 1-3/16 | 056889 | LFT-DL-103 |
| | 1-1/4 | 052535 | LFT-DL-104S |
| 207 | 1-1/4 | @ | LFT-DL-104 |
| | 1-3/8 | @ | LFT-DL-106 |
| | 1-7/16 | 049447 | LFT-DL-107 |

@ Assembled to order

D-LOK

Type E Family

Specialty Tapered

S-2000

UNISPHERE II

| | | | |
|--------------------------------|---------------------------|-----------------------------------|--------------------------------|
| FEATURES/BENEFITS PAGE B5-2 | NOMENCLATURE PAGE B5-4 | SELECTION/DIMENSIONS PAGE B5-8 | RELATED PRODUCTS PAGE B5-67 |
|--------------------------------|---------------------------|-----------------------------------|--------------------------------|

SELECTION/DIMENSIONS



D-LOK Ball Bearings DL LFT NORMAL DUTY 2-BOLT FLANGE BEARINGS

D-LOK

Type E Family

Specialty Tapered

S-2000

UNISPHERE II

| Series | Shaft Size | Weight lbs | A | B | C | D | G | H | J | L | M | N |
|--------|------------|------------|--------|---------|---------|---------|-------|-------|-------|---------|-------|---------|
| 204 | 3/4 | 0.80 | 1-9/32 | 3-9/16 | 1-17/32 | 2-13/16 | 11/32 | 27/64 | 3/8 | 1-45/64 | 2-3/8 | 1-11/32 |
| 205 | 7/8 | 0.95 | 1-7/16 | 3-3/4 | 1-1/4 | 3 | 11/32 | 27/64 | 13/32 | 2 | 2-5/8 | 1-7/16 |
| | 15/16 | 0.90 | | | | | | | | | | |
| | 1 | 0.85 | | | | | | | | | | |
| 206 | 1-1/8 | 1.50 | 1-9/16 | 4-7/16 | 1-35/64 | 3-9/16 | 13/32 | 15/32 | 17/32 | 2-7/32 | 3-1/4 | 1-23/32 |
| | 1-3/16 | 1.45 | | | | | | | | | | |
| | 1-1/4 | 1.40 | | | | | | | | | | |
| 207 | 1-1/4 | 1.85 | 1-3/4 | 4-13/16 | 1-19/32 | 3-15/16 | 13/32 | 1/2 | 17/32 | 2-11/16 | 3-1/2 | 1-53/64 |
| | 1-3/8 | 1.80 | | | | | | | | | | |
| | 1-7/16 | 1.75 | | | | | | | | | | |

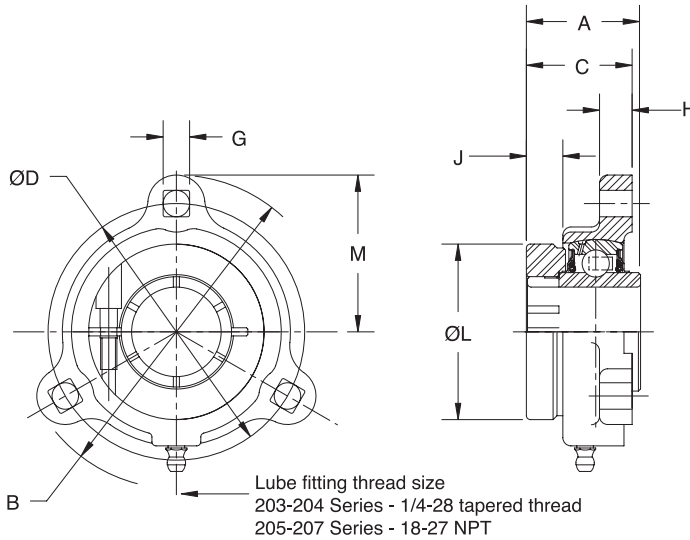
Lube fitting thread size - 1/4-28 tapered thread

| | | | |
|--------------------------------|---------------------------|-----------------------------------|--------------------------------|
| FEATURES/BENEFITS PAGE B5-2 | NOMENCLATURE PAGE B5-4 | SELECTION/DIMENSIONS PAGE B5-8 | RELATED PRODUCTS PAGE B5-67 |
|--------------------------------|---------------------------|-----------------------------------|--------------------------------|

SELECTION/DIMENSIONS



D-LOK Ball Bearings DL LFT NORMAL DUTY 3-BOLT FLANGE BEARINGS



| Series | Shaft Size | Part No. | Description |
|--------|------------|---------------|-------------|
| 204 | 3/4 | 049709 | LF-DL-012 |
| 205 | 7/8 | 064735 | LF-DL-014 |
| | 15/16 | @ | LF-DL-015 |
| | 1 | 056890 | LF-DL-100 |
| 206 | 1-1/8 | 049930 | LF-DL-102 |
| | 1-3/16 | 056780 | LF-DL-103 |
| | 1-1/4 | @ | LF-DL-104S |
| 207 | 1-1/4 | 064624 | LF-DL-104 |
| | 1-3/8 | 068663 | LF-DL-106 |
| | 1-7/16 | @ | LF-DL-107 |

@ Assemble to order

SELECTION/DIMENSIONS



D-LOK Ball Bearings DL LFT NORMAL DUTY 3-BOLT FLANGE BEARINGS

D-LOK

Type E Family

Specialty Tapered

S-2000

UNISPHERE II

| Series | Shaft Size | Weight lbs | A | B | C | D | G | H | J | L | M | N |
|--------|------------|------------|--------|---------|---------|---------|-------|-------|-------|-------|---------|---------|
| 204 | 3/4 | 0.85 | 1-9/32 | 3-9/16 | 1-7/32 | 2-13/16 | 23/64 | 3/8 | 11/32 | 23/64 | 1-19/32 | 1-27/32 |
| 205 | 7/8 | 1.10 | 1-7/16 | 3-3/4 | 1-1/4 | 3 | 11/32 | 27/64 | 3/8 | 27/64 | 1-25/32 | 1-37/64 |
| | 15/16 | 1.05 | | | | | | | | | | |
| | 1 | 1.00 | | | | | | | | | | |
| 206 | 1-1/8 | 1.65 | 1-9/16 | 4-7/16 | 1-15/32 | 3-9/16 | 13/32 | 27/64 | 13/32 | 27/64 | 1-7/8 | 1-45/64 |
| | 1-3/16 | 1.60 | | | | | | | | | | |
| | 1-1/4 | 1.55 | | | | | | | | | | |
| 207 | 1-1/4 | 1.50 | 1-3/4 | 4-13/16 | 1-19/32 | 3-15/16 | 13/32 | 15/32 | 17/32 | 31/64 | 2-7/32 | 2-1/64 |
| | 1-3/8 | 2.10 | | | | | | | | | | |
| | 1-7/16 | 2.05 | | | | | | | | | | |

| | | | |
|--------------------------------|---------------------------|-----------------------------------|--------------------------------|
| FEATURES/BENEFITS PAGE B5-2 | NOMENCLATURE PAGE B5-4 | SELECTION/DIMENSIONS PAGE B5-8 | RELATED PRODUCTS PAGE B5-67 |
|--------------------------------|---------------------------|-----------------------------------|--------------------------------|

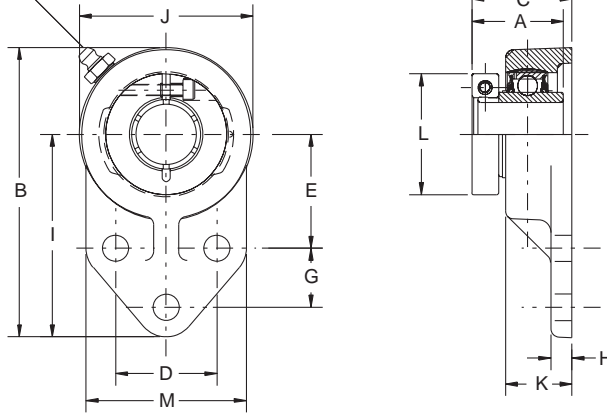
SELECTION/DIMENSIONS



D-LOK Ball Bearings

DL FB NORMAL DUTY 3-BOLT FLANGE BRACKET BEARINGS

Lube fitting thread size
1/8 - 27 NPT



| Series | Shaft Size | Part No. | Description |
|--------|------------|---------------|-------------|
| 204 | 3/4 | 128796 | FB-DL-012 |
| 205 | 7/8 | 128797 | FB-DL-014 |
| | 15/16 | 128798 | FB-DL-015 |
| | 1 | 128799 | FB-DL-100 |
| 206 | 1-1/8 | 128800 | FB-DL-102 |
| | 1-3/16 | 128801 | FB-DL-103 |
| | 1-1/4 | 128802 | FB-DL-104S |
| 207 | 1-1/4 | 128803 | FB-DL-104 |
| | 1-3/8 | 128804 | FB-DL-106 |
| | 1-7/16 | 128805 | FB-DL-107 |
| 208 | 1-15/16 | 128806 | FB-DL-115 |
| | 2 | 128807 | FB-DL-200 |

@ Assembled to order

D-LOK

Type E Family

Specialty Tapered

S-2000

UNISPHERE II

| | | | |
|--------------------------------|---------------------------|-----------------------------------|--------------------------------|
| FEATURES/BENEFITS PAGE B5-2 | NOMENCLATURE PAGE B5-4 | SELECTION/DIMENSIONS PAGE B5-8 | RELATED PRODUCTS PAGE B5-67 |
|--------------------------------|---------------------------|-----------------------------------|--------------------------------|

SELECTION/DIMENSIONS



D-LOK Ball Bearings DL FB NORMAL DUTY 3-BOLT FLANGE BRACKET BEARINGS

D-LOK

Type E Family

Specialty Tapered

S-2000

UNISPHERE II

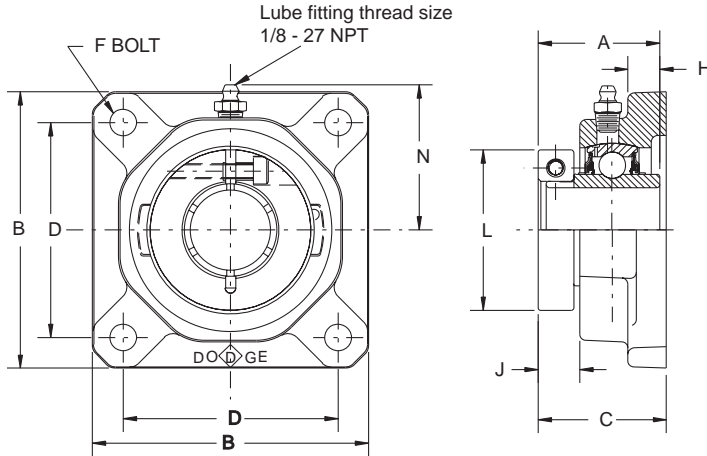
| Series | Shaft Size | Weight lbs | A | B | C | D | E | F Bolt Dia. | G | H | I | J | K | L | M |
|--------|------------|------------|--------|-------|---------|-------|---------|-------------|-------|------|--------|-------|--------|---------|-------|
| 204 | 3/4 | 0.80 | 1-9/32 | 4-1/4 | 1-11/32 | 1-1/2 | 1-11/16 | 3/8 | 7/8 | 5/16 | 3 | 2-1/2 | 63/64 | 1-45/64 | 2-3/8 |
| 205 | 7/8 | 0.95 | 1-7/16 | 4-3/4 | 1-1/2 | 1-5/8 | 1-13/16 | 3/8 | 1-1/8 | 3/8 | 3-3/8 | 2-3/4 | 1-7/64 | 2 | 2-1/2 |
| | 15/16 | 0.90 | | | | | | | | | | | | | |
| | 1 | 0.85 | | | | | | | | | | | | | |
| 206 | 1-1/8 | 1.50 | 1-9/16 | 5-3/8 | 1-5/8 | 1-7/8 | 2-1/16 | 3/8 | 1-1/4 | 3/8 | 3-3/4 | 3-1/4 | 1-1/8 | 2-7/32 | 2-3/4 |
| | 1-3/16 | 1.45 | | | | | | | | | | | | | |
| | 1-1/4 | 1.40 | | | | | | | | | | | | | |
| 207 | 1-1/4 | 1.85 | 1-3/4 | 6-1/8 | 1-7/8 | 2 | 2-3/8 | 1/2 | 1-1/4 | 1/2 | 4-1/4 | 3-3/4 | 1-5/16 | 2-11/16 | 3-1/4 |
| | 1-3/8 | 1.80 | | | | | | | | | | | | | |
| | 1-7/16 | 1.75 | | | | | | | | | | | | | |
| 210 | 1-15/16 | 5.7 | 2-3/32 | 7-1/2 | 2-1/32 | 2-3/4 | 2-15/16 | 1/2 | 1-5/8 | 1/2 | 5-3/16 | 4-5/8 | 1-1/2 | 3-15/64 | 4 |
| | 2 | 5.6 | | | | | | | | | | | | | |

| | | | |
|--------------------------------|---------------------------|-----------------------------------|--------------------------------|
| FEATURES/BENEFITS PAGE B5-2 | NOMENCLATURE PAGE B5-4 | SELECTION/DIMENSIONS PAGE B5-8 | RELATED PRODUCTS PAGE B5-67 |
|--------------------------------|---------------------------|-----------------------------------|--------------------------------|

SELECTION/DIMENSIONS



D-LOK Ball Bearings DL NORMAL DUTY 4-BOLT FLANGE BEARINGS



| Series | Shaft Size | Standard | | No Lube/Sealed for Life (-NL) | |
|--------|------------|----------|-------------|-------------------------------|----------------|
| | | Part No. | Description | Part No. | Description |
| 204 | 3/4 | 128775 | F4B-DL-012 | @ | F4B-DL-012-NL |
| | 20mm | 126619 | F4B-DL-20M | @ | F4B-DL-20M-NL |
| 205 | 7/8 | 128776 | F4B-DL-014 | @ | F4B-DL-014-NL |
| | 15/16 | 128777 | F4B-DL-015 | @ | F4B-DL-015-NL |
| | 1 | 128778 | F4B-DL-100 | 056512 | F4B-DL-100-NL |
| | 25mm | 126620 | F4B-DL-25M | @ | F4B-DL-25M-NL |
| 206 | 1-1/8 | 128779 | F4B-DL-102 | @ | F4B-DL-102-NL |
| | 1-3/16 | 128780 | F4B-DL-103 | @ | F4B-DL-103-NL |
| | 1-1/4 | 128781 | F4B-DL-104S | 068320 | F4B-DL-104S-NL |
| | 30mm | 126621 | F4B-DL-30M | @ | F4B-DL-30M-NL |
| 207 | 1-1/4 | 128782 | F4B-DL-104 | 058898 | F4B-DL-104-NL |
| | 1-3/8 | 128783 | F4B-DL-106 | 068758 | F4B-DL-106-NL |
| | 1-7/16 | 128784 | F4B-DL-107 | 059705 | F4B-DL-107-NL |
| | 35mm | 126622 | F4B-DL-35M | @ | F4B-DL-35M-NL |
| 208 | 1-1/2 | 128785 | F4B-DL-108 | @ | F4B-DL-108-NL |
| | 40mm | 126623 | F4B-DL-40M | @ | F4B-DL-40M-NL |

@ Assembled to order

| | | | |
|--------------------------------|---------------------------|-----------------------------------|--------------------------------|
| FEATURES/BENEFITS PAGE B5-2 | NOMENCLATURE PAGE B5-4 | SELECTION/DIMENSIONS PAGE B5-8 | RELATED PRODUCTS PAGE B5-67 |
|--------------------------------|---------------------------|-----------------------------------|--------------------------------|

SELECTION/DIMENSIONS



D-LOK Ball Bearings DL NORMAL DUTY 4-BOLT FLANGE BEARINGS

D-LOK

Type E Family

Specialty Tapered

S-2000

UNISPHERE II

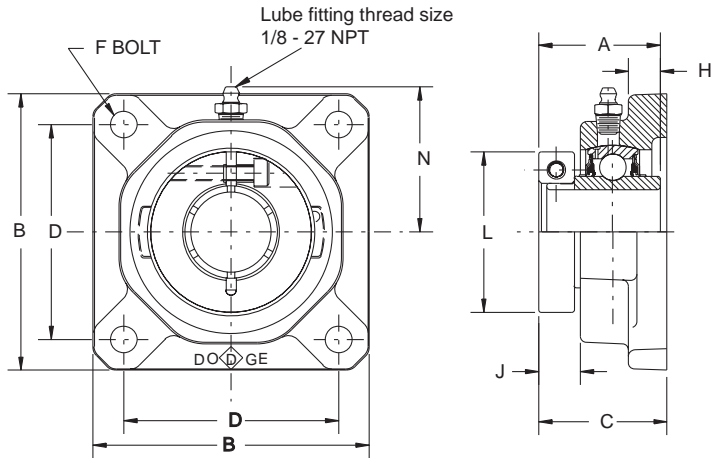
| Series | Shaft Size | Weight lbs kg | A | B | C | D | F Bolt Dia. | H | J | L | N |
|--------|------------|---------------------|--------|-------|---------|-------|-------------|-------|-------|---------|---------|
| 204 | 3/4 | 1.7 | 1-9/32 | 3-3/8 | 1-11/32 | 2-1/2 | 3/8 | 13/32 | 3/8 | 1-45/64 | 2-1/32 |
| | 20mm | 0.8 | 32.5 | 85.7 | 34.1 | 63.5 | M10 | 10.3 | 9.5 | 43.3 | 51.6 |
| 205 | 7/8 | 2.2 | 1-7/16 | 3-3/4 | 1-1/2 | 2-3/4 | 7/16 | 15/32 | 15/32 | 2 | 2-1/8 |
| | 15/16 | 2.2 | | | | | | | | | |
| | 1 | 2.2 | | | | | | | | | |
| 206 | 25mm | 1.0 | 36.5 | 95.3 | 38.1 | 69.9 | M10 | 11.9 | 11.9 | 50.8 | 54.0 |
| | 1-1/8 | 3.8 | 1-9/16 | 4-1/4 | 1-5/8 | 3-1/4 | 7/16 | 17/32 | 31/64 | 2-7/32 | 2-5/32 |
| | 1-3/16 | 3.7 | | | | | | | | | |
| | 1-1/4 | 3.7 | | | | | | | | | |
| 207 | 30mm | 1.7 | 39.7 | 108.0 | 41.3 | 82.6 | M10 | 13.5 | 12.3 | 56.4 | 54.8 |
| | 1-1/4 | 4.4 | 1-3/4 | 4-5/8 | 1-13/16 | 3-5/8 | 1/2 | 9/16 | 9/16 | 2-11/16 | 2-13/32 |
| | 1-3/8 | 4.4 | | | | | | | | | |
| | 1-7/16 | 4.3 | | | | | | | | | |
| 208 | 35mm | 2.0 | 44.5 | 117.5 | 46.0 | 92.1 | M12 | 14.3 | 14.3 | 68.3 | 61.1 |
| | 1-1/2 | 5.8 | 2 | 5-1/8 | 2-5/64 | 4 | 1/2 | 35/64 | 21/32 | 2-47/64 | 2-19/32 |
| | 40mm | 2.6 | 50.8 | 130.2 | 52.8 | 101.6 | M12 | 13.9 | 16.7 | 69.5 | 65.9 |

| | | | |
|--------------------------------|---------------------------|-----------------------------------|--------------------------------|
| FEATURES/BENEFITS PAGE B5-2 | NOMENCLATURE PAGE B5-4 | SELECTION/DIMENSIONS PAGE B5-8 | RELATED PRODUCTS PAGE B5-67 |
|--------------------------------|---------------------------|-----------------------------------|--------------------------------|

SELECTION/DIMENSIONS



D-LOK Ball Bearings DL NORMAL DUTY 4-BOLT FLANGE BEARINGS



| Series | Shaft Size | Standard | | No Lube/Sealed for Life (-NL) | |
|--------|------------|---------------|-------------------|-------------------------------|----------------------|
| | | Part No. | Description | Part No. | Description |
| 209 | 1-5/8 | 128786 | F4B-DL-110L | @ | F4B-DL-110L-NL |
| | 1-11/16 | 128787 | F4B-DL-111 | 056970 | F4B-DL-111-NL |
| | 1-3/4 | 128788 | F4B-DL-112 | @ | F4B-DL-112-NL |
| | 45mm | 126624 | <i>F4B-DL-45M</i> | @ | <i>F4B-DL-45M-NL</i> |
| 210 | 1-15/16 | 128789 | F4B-DL-115 | 056968 | F4B-DL-115-NL |
| | 2 | 128790 | F4B-DL-200 | @ | F4B-DL-200-NL |
| | 50mm | 126625 | <i>F4B-DL-50M</i> | @ | <i>F4B-DL-50M-NL</i> |
| 211 | 2 | 128850 | F4B-DLM-200 | @ | F4B-DLM-200-NL |
| | 2-3/16 | 128792 | F4B-DL-203 | @ | F4B-DL-203-NL |
| | 55mm | 126626 | <i>F4B-DL-55M</i> | @ | <i>F4B-DL-55M-NL</i> |
| 212 | 2-1/4 | 128852 | F4B-DLM-204 | @ | F4B-DLM-204-NL |
| | 2-7/16 | 128794 | F4B-DL-207 | @ | F4B-DL-207-NL |
| | 60mm | 126627 | <i>F4B-DL-60M</i> | @ | <i>F4B-DL-60M-NL</i> |
| 214 | 2-1/2 | 128854 | F4B-DLM-208 | @ | F4B-DLM-208-NL |
| | 2-11/16 | 128795 | F4B-DL-211 | @ | F4B-DL-211-NL |
| | 70mm | 126628 | <i>F4B-DL-70M</i> | @ | <i>F4B-DL-70M-NL</i> |
| 215 | 2-15/16 | 062152 | F4B-DL-215 | @ | F4B-DL-215-NL |

@ Assembled to order

FEATURES/BENEFITS
PAGE B5-2

NOMENCLATURE
PAGE B5-4

SELECTION/DIMENSIONS
PAGE B5-8

RELATED PRODUCTS
PAGE B5-67

SELECTION/DIMENSIONS



D-LOK Ball Bearings DL NORMAL DUTY 4-BOLT FLANGE BEARINGS

D-LOK

Type E Family

Specialty Tapered

S-2000

UNISPHERE II

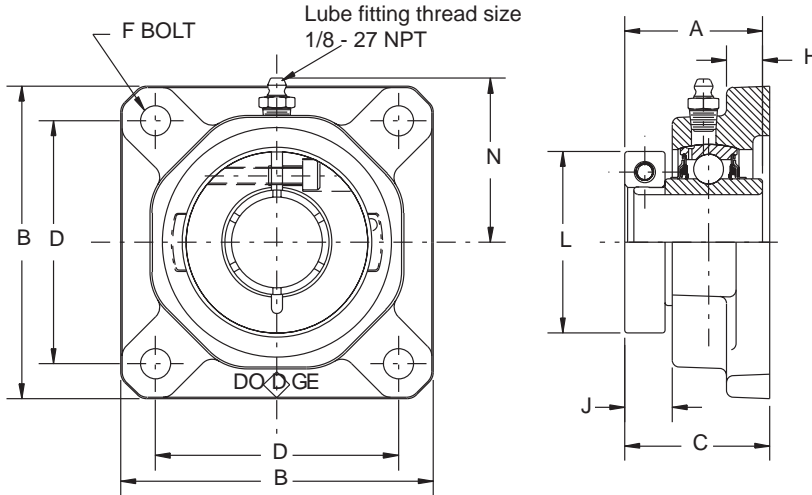
| Series | Shaft Size | Weight lbs kg | A | B | C | D | F Bolt Dia. | H | J | L | N |
|--------|------------|---------------------|---------|-------|---------|-------|-------------------|-------|-------|---------|---------|
| 209 | 1-5/8 | 6.0 | 2 | 5-3/8 | 2-7/64 | 4-1/8 | 9/16 | 9/16 | 21/32 | 2-63/64 | 2-45/64 |
| | 1-11/16 | 6.0 | | | | | | | | | |
| | 1-3/4 | 5.9 | | | | | | | | | |
| | 45mm | 2.7 | | | | | | | | | |
| 210 | 1-15/16 | 7.0 | 2-3/32 | 5-5/8 | 2-7/32 | 4-3/8 | 9/16 | 35/64 | 11/16 | 3-15/64 | 2-51/64 |
| | 2 | 6.9 | | | | | | | | | |
| | 50mm | 3.1 | | | | | | | | | |
| 211 | 2 | 11.0 | 2-1/4 | 6-3/8 | 2-3/8 | 5-1/8 | 5/8 | 19/32 | 11/16 | 3-11/16 | 3-9/64 |
| | 2-3/16 | 11.0 | | | | | | | | | |
| | 55mm | 5.0 | | | | | | | | | |
| 212 | 2-1/4 | 13.3 | 2-5/8 | 6-7/8 | 2-3/4 | 5-5/8 | 5/8 | 19/32 | 7/8 | 4-7/64 | 3-15/64 |
| | 2-7/16 | 13.0 | | | | | | | | | |
| | 60mm | 5.9 | | | | | | | | | |
| 214 | 2-1/2 | 14.6 | 2-13/16 | 7-3/8 | 3-1/16 | 5-7/8 | 5/8 | 11/16 | 57/64 | 4-3/8 | 3-9/16 |
| | 2-11/16 | 14.6 | | | | | | | | | |
| | 70mm | 6.6 | | | | | | | | | |
| 215 | 2-15/16 | 18.8 | 2-21/64 | 7-3/4 | 2-57/64 | 6 | 3/4 | 1 | 41/64 | 4-11/16 | 3-7/8 |

| | | | |
|--------------------------------|---------------------------|-----------------------------------|--------------------------------|
| FEATURES/BENEFITS PAGE B5-2 | NOMENCLATURE PAGE B5-4 | SELECTION/DIMENSIONS PAGE B5-8 | RELATED PRODUCTS PAGE B5-67 |
|--------------------------------|---------------------------|-----------------------------------|--------------------------------|

SELECTION/DIMENSIONS



D-LOK Ball Bearings DLM MEDIUM DUTY 4-BOLT FLANGE BEARINGS



| Series | Shaft Size | Part No. | Description |
|--------|------------|---------------|-------------|
| 206 | 1 | 128843 | F4B-DLM-100 |
| 207 | 1-3/16 | 128844 | F4B-DLM-103 |
| | 1-1/4 | 128782 | F4B-DL-104 |
| 208 | 1-7/16 | 128845 | F4B-DLM-107 |
| | 35mm | 126642 | F4B-DLM-35M |
| 209 | 1-1/2 | 128846 | F4B-DLM-108 |
| | 1-5/8 | 128786 | F4B-DL-110L |
| 210 | 1-11/16 | 128847 | F4B-DLM-111 |
| | 1-3/4 | 128848 | F4B-DLM-112 |
| 211 | 1-15/16 | 128849 | F4B-DLM-115 |
| | 2 | 128850 | F4B-DLM-200 |
| 212 | 2-3/16 | 128851 | F4B-DLM-203 |
| | 2-1/4 | 128852 | F4B-DLM-204 |
| 214 | 2-7/16 | 128853 | F4B-DLM-207 |
| | 2-1/2 | 128854 | F4B-DLM-208 |
| | 65mm | 126643 | F4B-DLM-65M |
| 215 | 2-11/16 | 062263 | F4B-DLM-211 |
| 216 | 2-15/16 | 058395 | F4B-DLM-215 |
| 218 | 3-7/16 | @ | F4B-DLM-307 |

@ Assembled to order

FEATURES/BENEFITS
PAGE B5-2

NOMENCLATURE
PAGE B5-4

SELECTION/DIMENSIONS
PAGE B5-8

RELATED PRODUCTS
PAGE B5-67

SELECTION/DIMENSIONS



D-LOK Ball Bearings DLM MEDIUM DUTY 4-BOLT FLANGE BEARINGS

D-LOK

Type E Family

Specialty Tapered

S-2000

UNISPHERE II

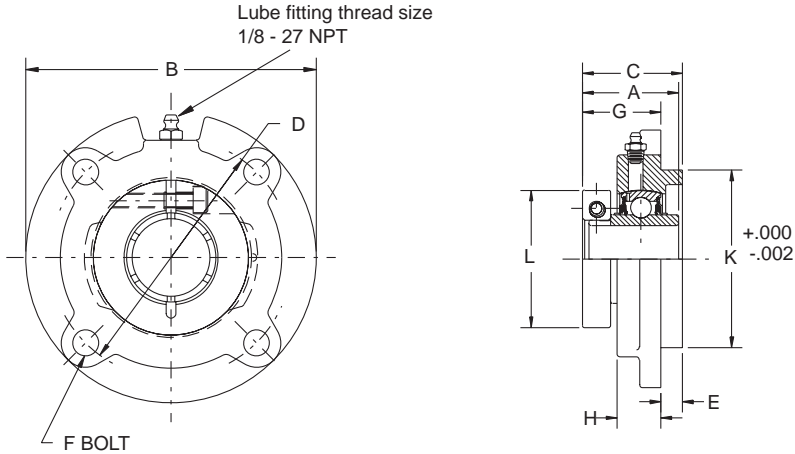
| Series | Shaft Size | Weight lbs kg | A | B | C | D | F Bolt Dia. | H | J | L | N |
|--------|-------------------------|---------------------|-----------------|----------------|----------------|----------------|-------------|---------------|---------------|-----------------|-----------------|
| 206 | 1 | 3.8 | 1-9/16 | 4-1/4 | 1-5/8 | 3-1/4 | 7/16 | 17/32 | 31/64 | 2-7/32 | 2-5/32 |
| 207 | 1-3/16 1-1/4 | 4.4 3.7 | 1-3/4 | 4-5/8 | 1-13/16 | 3-5/8 | 1/2 | 9/16 | 9/16 | 2-11/16 | 2-13/32 |
| 208 | 1-7/16 35mm | 5.9 2.2 | 2 50.8 | 5-1/8 130.2 | 2-5/64 52.8 | 4 101.6 | 1/2 M12 | 35/64 13.9 | 21/32 16.7 | 2-47/64 69.5 | 2-19/32 65.9 |
| 209 | 1-1/2 1-5/8 | 6.4 6.0 | 2 | 5-3/8 | 2-7/64 | 4-1/8 | 9/16 | 9/16 | 21/32 | 2-63/64 | 2-45/64 |
| 210 | 1-11/16 1-3/4 | 7.4 7.3 | 2-3/32 | 5-5/8 | 2-7/32 | 4-3/8 | 9/16 | 35/64 | 11/16 | 3-15/64 | 2-51/64 |
| 211 | 1-15/16 2 | 11.1 11.0 | 2-1/4 | 6-3/8 | 2-3/8 | 5-1/8 | 5/8 | 19/32 | 11/16 | 3-11/16 | 3-9/64 |
| 212 | 2-3/16 2-1/4 | 13.3 13.3 | 2-5/8 | 6-7/8 | 2-3/4 | 5-5/8 | 5/8 | 19/32 | 7/8 | 4-7/64 | 3-15/64 |
| 214 | 2-7/16 2-1/2 65mm | 14.8 14.6 6.6 | 2-13/16 71.4 | 7-3/8 187.3 | 3-1/16 77.8 | 5-7/8 149.2 | 5/8 M16 | 11/16 17.5 | 57/64 22.6 | 4-3/8 111.1 | 3-9/16 90.5 |
| 215 | 2-11/16 | 20.3 | 2-21/64 | 7-3/4 | 2-57/64 | 6 | 3/4 | 1 | 41/64 | 4-11/16 | 3-7/8 |
| 216 | 2-15/16 | 20.6 | 2-31/64 | 7-3/4 | 3-3/32 | 6 | 3/4 | 7/8 | 19/32 | 5 | 4-9/32 |
| 218 | 3-7/16 | 36.1 | 2-21/32 | 8-7/16 | 3-11/32 | 6-3/4 | 3/4 | 1 | 9/16 | 5-1/2 | 4-5/8 |

| | | | |
|--------------------------------|---------------------------|-----------------------------------|--------------------------------|
| FEATURES/BENEFITS PAGE B5-2 | NOMENCLATURE PAGE B5-4 | SELECTION/DIMENSIONS PAGE B5-8 | RELATED PRODUCTS PAGE B5-67 |
|--------------------------------|---------------------------|-----------------------------------|--------------------------------|

SELECTION/DIMENSIONS



D-LOK Ball Bearings DL NORMAL DUTY PILOTED FLANGE BEARINGS



| Series | Shaft Size | Standard | |
|--------|------------|---------------|-------------|
| | | Part No. | Description |
| 206 | 1-1/8 | 128808 | FC-DL-102 |
| | 1-3/16 | 128809 | FC-DL-103 |
| | 1-1/4 | 049610 | FC-DL-104S |
| | 30mm | 126653 | FC-DL-30M |
| 207 | 1-1/4 | 128810 | FC-DL-104 |
| | 1-3/8 | 128811 | FC-DL-106 |
| | 1-7/16 | 128812 | FC-DL-107 |
| | 35mm | 126654 | FC-DL-35M |
| 208 | 1-1/2 | 128813 | FC-DL-108 |
| | 40mm | 126655 | FC-DL-40M |
| 209 | 1-5/8 | 128814 | FC-DL-110L |
| | 1-11/16 | 128815 | FC-DL-111 |
| | 1-3/4 | 128816 | FC-DL-112 |
| | 45mm | 126656 | FC-DL-45M |
| 210 | 1-15/16 | 128817 | FC-DL-115 |
| | 2 | 128818 | FC-DL-200 |
| | 50mm | 126657 | FC-DL-50M |
| | 2 | 128862 | FC-DLM-200 |
| 211 | 2-3/16 | 128820 | FC-DL-203 |
| | 55mm | 126658 | FC-DL-55M |
| 212 | 2-1/4 | 128864 | FC-DLM-204 |
| | 2-7/16 | 128822 | FC-DL-207 |
| | 60mm | 126659 | FC-DL-60M |
| 214 | 2-1/2 | 128866 | FC-DLM-208 |
| | 2-11/16 | 049838 | FC-DL-211 |
| | 70mm | 126661 | FC-DL-70M |

FEATURES/BENEFITS
PAGE B5-2

NOMENCLATURE
PAGE B5-4

SELECTION/DIMENSIONS
PAGE B5-8

RELATED PRODUCTS
PAGE B5-67

SELECTION/DIMENSIONS



D-LOK Ball Bearings DL NORMAL DUTY PILOTED FLANGE BEARINGS

| Series | Shaft Size | Weight lbs kg | A | B | C | D | E | F Bolt Dia. | G | H | K* | L |
|--------|------------|------------------|---------|-------|---------|-------|-------|-------------|---------|--------|-------|---------|
| 206 | 1-1/8 | 3.0 | 1-9/16 | 4-3/8 | 1-17/32 | 3-5/8 | 1/4 | 3/8 | 1-9/32 | 13/16 | 3 | 2-7/32 |
| | 1-3/16 | 3.0 | | | | | | | | | | |
| | 1-1/4 | 3.0 | | | | | | | | | | |
| | 30mm | 1.4 | 39.7 | 111.1 | 38.9 | 92.1 | 6.4 | M10 | 32.5 | 20.6 | 76.2 | 56.4 |
| 207 | 1-1/4 | 4.1 | 1-3/4 | 5 | 1-51/64 | 4-1/8 | 3/8 | 3/8 | 1-27/64 | 27/32 | 3-3/8 | 2-11/16 |
| | 1-3/8 | 4.0 | | | | | | | | | | |
| | 1-7/16 | 4.0 | | | | | | | | | | |
| | 35mm | 1.6 | 44.5 | 127.0 | 45.6 | 104.8 | 9.5 | M10 | 36.1 | 21.4 | 85.7 | 68.3 |
| 208 | 1-1/2 | 4.9 | 2 | 5-1/4 | 2-3/64 | 4-3/8 | 7/16 | 7/16 | 1-39/64 | 57/64 | 3-5/8 | 2-47/64 |
| | 40mm | 2.1 | 50.8 | 133.4 | 52.0 | 111.1 | 11.1 | M12 | 40.9 | 22.6 | 92.1 | 69.5 |
| 209 | 1-5/8 | 6.2 | 2 | 6-1/8 | 2 | 5-1/8 | 15/32 | 1/2 | 1-9/16 | 59/64 | 4-1/4 | 2-63/64 |
| | 1-11/16 | 6.1 | | | | | | | | | | |
| | 1-3/4 | 6.1 | | | | | | | | | | |
| | 45mm | 2.5 | 50.8 | 155.6 | 50.8 | 130.2 | 11.9 | M12 | 39.7 | 23.4 | 108.0 | 75.8 |
| 210 | 1-15/16 | 6.2 | 2-3/32 | 6-1/8 | 2-9/64 | 5-1/8 | 15/32 | 1/2 | 1-43/64 | 59/64 | 4-1/4 | 3-15/64 |
| | 2 | 6.2 | | | | | | | | | | |
| | 50mm | 2.6 | 53.2 | 155.6 | 54.4 | 130.2 | 11.9 | M12 | 42.5 | 23.4 | 108.0 | 82.1 |
| 211 | 2 | 8.0 | 2-1/4 | 6-3/8 | 2-3/8 | 5-3/8 | 5/8 | 1/2 | 1-3/4 | 1 | 4-1/2 | 3-11/16 |
| | 2-3/16 | 8.0 | | | | | | | | | | |
| | 55mm | 3.4 | 57.2 | 161.9 | 60.3 | 136.5 | 15.9 | M12 | 44.5 | 25.4 | 114.3 | 93.7 |
| 212 | 2-1/4 | 11.6 | 2-5/8 | 7-1/8 | 2-3/4 | 6 | 7/8 | 1/2 | 1-7/8 | 1 | 5 | 4-7/64 |
| | 2-7/16 | 11.6 | | | | | | | | | | |
| | 60mm | 4.9 | 66.7 | 181.0 | 69.9 | 152.4 | 22.2 | M12 | 47.6 | 25.4 | 127.0 | 104.4 |
| 214 | 2-1/2 | 13.8 | 2-13/16 | 7-5/8 | 3-5/64 | 6-1/2 | 1-1/8 | 1/2 | 1-61/64 | 1-1/16 | 5-1/2 | 4-3/8 |
| | 2-11/16 | 13.6 | | | | | | | | | | |
| | 70mm | 5.8 | 71.4 | 193.7 | 78.2 | 165.1 | 28.6 | M12 | 49.6 | 27.0 | 139.7 | 111.1 |

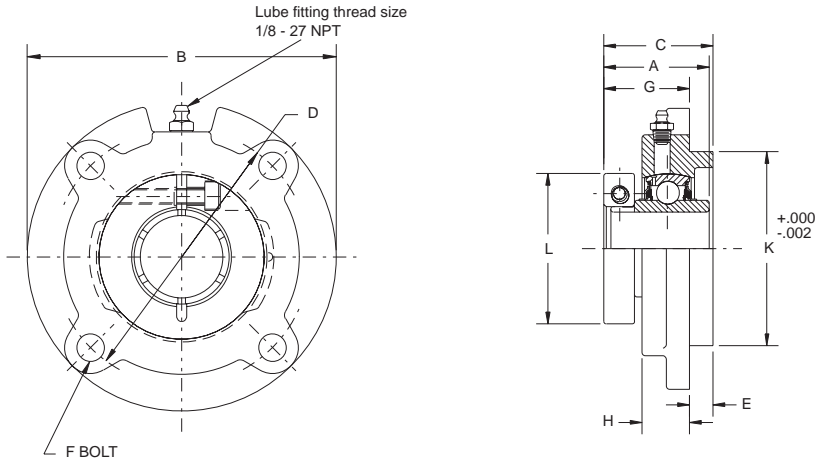
* +0.000" -0.002"

| | | | |
|--------------------------------|---------------------------|-----------------------------------|--------------------------------|
| FEATURES/BENEFITS PAGE B5-2 | NOMENCLATURE PAGE B5-4 | SELECTION/DIMENSIONS PAGE B5-8 | RELATED PRODUCTS PAGE B5-67 |
|--------------------------------|---------------------------|-----------------------------------|--------------------------------|

SELECTION/DIMENSIONS



D-LOK Ball Bearings DLM MEDIUM DUTY PILOTED FLANGE BEARINGS



| Series | Shaft Size | Standard | |
|--------|------------|---------------|-------------|
| | | Part No. | Description |
| 206 | 1 | 128855 | FC-DLM-100 |
| 207 | 1-3/16 | 128856 | FC-DLM-103 |
| | 1-1/4 | 128810 | FC-DL-104 |
| 208 | 1-7/16 | 128857 | FC-DLM-107 |
| | 1-1/2 | 128813 | FC-DL-108 |
| | 35mm | 053784 | FC-DLM-35M |
| 209 | 1-1/2 | 128858 | FC-DLM-108L |
| | 1-5/8 | 128814 | FC-DL-110L |
| 210 | 1-11/16 | 128859 | FC-DLM-111 |
| | 1-3/4 | 128860 | FC-DLM-112 |
| 211 | 1-15/16 | 128861 | FC-DLM-115 |
| | 2 | 128862 | FC-DLM-200 |
| 212 | 2-3/16 | 128863 | FC-DLM-203 |
| | 2-1/4 | 128864 | FC-DLM-204 |
| 214 | 2-7/16 | 128865 | FC-DLM-207 |
| | 2-1/2 | 128866 | FC-DLM-208 |
| | 65mm | 126660 | FC-DLM-65M |
| 216 | 2-15/16 | 057475 | FC-DLM-215 |
| 218 | 3-7/16 | 062373 | FC-DLM-307 |

@ Assembled to order

FEATURES/BENEFITS
PAGE B5-2

NOMENCLATURE
PAGE B5-4

SELECTION/DIMENSIONS
PAGE B5-8

RELATED PRODUCTS
PAGE B5-67

SELECTION/DIMENSIONS



D-LOK Ball Bearings DLM MEDIUM DUTY PILOTED FLANGE BEARINGS

D-LOK

Type E Family

Specialty Tapered

S-2000

UNISPHERE II

| Series | Shaft Size | Weight lbs kg | A | B | C | D | E | F Bolt Dia. | G | H | K* | L |
|--------|-------------------------|---------------------|-----------------|----------------|----------------|----------------|---------------|-------------------|-----------------|----------------|----------------|-----------------|
| 206 | 1 | 3.1 | 1-9/16 | 4-3/8 | 1-17/32 | 3-5/8 | 1/4 | 3/8 | 1-9/32 | 13/16 | 3 | 2-7/32 |
| 207 | 1-3/16 1-1/4 | 4.1 4.1 | 1-3/4 | 5 | 1-51/64 | 4-1/8 | 3/8 | 3/8 | 1-27/64 | 27/32 | 3-3/8 | 2-11/16 |
| 208 | 1-7/16 1-1/2 35mm | 5.1 4.9 2.6 | 2 50.8 | 5-1/4 133.4 | 2-3/64 52.0 | 4-3/8 111.1 | 7/16 11.1 | 7/16 M12 | 1-39/64 40.9 | 57/64 22.6 | 3-5/8 92.1 | 2-47/64 69.5 |
| 209 | 1-1/2 1-5/8 | 6.1 6.2 | 2 | 6-1/8 | 2 | 5-1/8 | 15/32 | 1/2 | 1-9/16 | 59/64 | 4-1/4 | 2-63/64 |
| 210 | 1-11/16 1-3/4 | 6.2 6.2 | 2-3/32 | 6-1/8 | 2-9/64 | 5-1/8 | 15/32 | 1/2 | 1-43/64 | 59/64 | 4-1/4 | 3-15/64 |
| 211 | 1-15/16 2 | 8.0 8.0 | 2-1/4 | 6-3/8 | 2-3/8 | 5-3/8 | 5/8 | 1/2 | 1-3/4 | 1 | 4-1/2 | 3-11/16 |
| 212 | 2-3/16 2-1/4 | 11.6 11.6 | 2-5/8 | 7-1/8 | 2-3/4 | 6 | 7/8 | 1/2 | 1-7/8 | 1 | 5 | 4-7/64 |
| 214 | 2-7/16 2-1/2 65mm | 13.9 13.8 5.9 | 2-13/16 71.4 | 7-5/8 193.7 | 3-5/64 78.2 | 6-1/2 165.1 | 1-1/8 28.6 | 1/2 M12 | 1-61/64 49.6 | 1-1/16 27.0 | 5-1/2 139.7 | 4-3/8 111.1 |
| 216 | 2-15/16 | 18.8 | 2-37/64 | 8-3/4 | 3-11/64 | 7-1/2 | 1-1/4 | 5/8 | 1-59/64 | 1-3/16 | 6-3/8 | 5 |
| 218 | 3-7/16 | 36.8 | 2-23/32 | 10-1/4 | 3-15/32 | 8-5/8 | 1-3/8 | 3/4 | 2-11/32 | 1-5/8 | 7-3/8 | 5-1/2 |

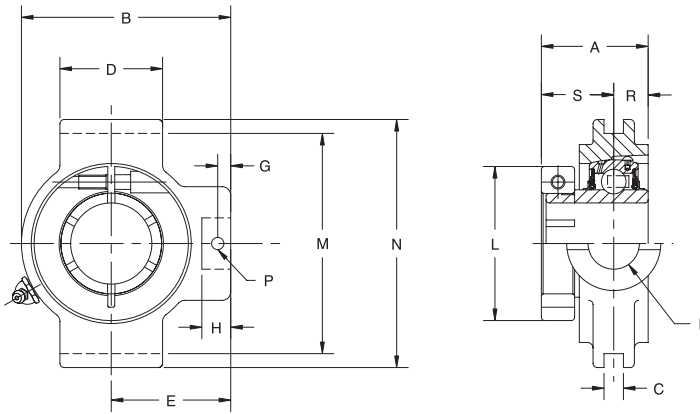
*+0.000" -0.002"

| | | | |
|--------------------------------|---------------------------|-----------------------------------|--------------------------------|
| FEATURES/BENEFITS PAGE B5-2 | NOMENCLATURE PAGE B5-4 | SELECTION/DIMENSIONS PAGE B5-8 | RELATED PRODUCTS PAGE B5-67 |
|--------------------------------|---------------------------|-----------------------------------|--------------------------------|

SELECTION/DIMENSIONS



D-LOK Ball Bearings DL NORMAL DUTY NARROW SLOT TAKE-UP BEARINGS



| Series | Shaft Size | Standard | |
|--------|------------|---------------|--------------|
| | | Part No. | Description |
| 204 | 3/4 | 052626 | NSTU-DL-012 |
| | 20mm | @ | NSTU-DL-20M |
| 205 | 7/8 | @ | NSTU-DL-014 |
| | 15/16 | @ | NSTU-DL-015 |
| | 1 | 058994 | NSTU-DL-100 |
| | 25mm | @ | NSTU-DL-25M |
| | | | |
| 206 | 1-1/8 | @ | NSTU-DL-102 |
| | 1-3/16 | 049467 | NSTU-DL-103 |
| | 1-1/4 | @ | NSTU-DL-104S |
| | 30mm | @ | NSTU-DL-30M |
| 207 | 1-1/4 | @ | NSTU-DL-104 |
| | 1-3/8 | 068756 | NSTU-DL-106 |
| | 1-7/16 | 053493 | NSTU-DL-107 |
| | 35mm | @ | NSTU-DL-35M |
| 208 | 1-1/2 | @ | NSTU-DL-108 |
| | 40mm | @ | NSTU-DL-40M |
| 209 | 1-5/8 | @ | NSTU-DL-110L |
| | 1-11/16 | 057543 | NSTU-DL-111 |
| | 1-3/4 | 057658 | NSTU-DL-112 |
| | 45mm | @ | NSTU-DL-45M |
| 210 | 1-15/16 | 059880 | NSTU-DL-115 |
| | 2 | 067903 | NSTU-DL-200 |
| | 50mm | @ | NSTU-DL-50M |
| 211 | 2 | @ | NSTU-DLM-200 |
| | 2-3/16 | 062281 | NSTU-DL-203 |
| | 55mm | @ | NSTU-DL-55M |
| 212 | 2-1/4 | @ | NSTU-DLM-204 |
| | 2-7/16 | 064430 | NSTU-DL-207 |
| | 60mm | 068321 | NSTU-DL-60M |

@ Assembled to order.

FEATURES/BENEFITS
PAGE B5-2

NOMENCLATURE
PAGE B5-4

SELECTION/DIMENSIONS
PAGE B5-8

RELATED PRODUCTS
PAGE B5-67

SELECTION/DIMENSIONS



D-LOK Ball Bearings DL NORMAL DUTY NARROW SLOT TAKE-UP BEARINGS

| Series | Shaft Size | Weight lbs kg | Take-Up Frame Size | A | B | C* | D | E | F Screw Dia. | G | H | J | L | M# | N | P Pin Dia. | R | S |
|--------|-----------------------------------|--------------------------|--------------------|------------------|------------------|---------------|-----------------|-----------------|---------------|----------------|----------------|-----------------|-----------------|------------------|----------------|---------------|-----------------|-----------------|
| 204 | 3/4 20mm | 1.6 0.8 | NS210 | 1-9/32 32.5 | 3-1/2 88.9 | 1/4 6.4 | 1-1/2 38.1 | 2-3/16 55.6 | 3/4 19.1 | 7/16 11.1 | 7/8 22.2 | 1-3/8 34.9 | 1-45/64 43.3 | 2-5/8 66.7 | 3-1/8 79.4 | 5/16 7.9 | 1/2 12.7 | 25/32 19.8 |
| | 7/8 15/16 1 25mm | 1.7 1.6 1.5 0.7 | | 1-7/16 3-9/16 | 1/4 6.4 | 1-1/2 38.1 | 2-3/16 55.6 | 3/4 19.1 | 7/16 11.1 | 7/8 22.2 | 1-3/8 34.9 | 2 50.8 | 2-5/8 66.7 | 3-1/8 79.4 | 5/16 7.9 | 9/16 14.3 | 7/8 22.2 | |
| 205 | 1-1/8 1-3/16 1-1/4 30mm | 2.8 2.7 2.6 1.2 | NS308 | 1-9/16 39.7 | 4-5/16 109.5 | 1/4 6.4 | 2-1/2 63.5 | 2-11/16 68.3 | 3/4 19.1 | 1/2 12.7 | 15/16 23.8 | 1-3/8 34.9 | 2-7/32 56.4 | 3-1/2 88.9 | 4-1/8 104.8 | 5/16 7.9 | 5/8 15.9 | 15/16 23.8 |
| | 1-1/4 1-3/8 1-7/16 35mm | 2.8 2.6 2.5 1.2 | | 1-3/4 4-1/2 | 1/4 6.4 | 2-1/2 63.5 | 2-11/16 68.3 | 3/4 19.1 | 1/2 12.7 | 15/16 23.8 | 1-3/8 34.9 | 2-11/16 68.3 | 3-1/2 88.9 | 4-1/8 104.8 | 5/16 7.9 | 11/16 17.5 | 1-1/16 27.0 | |
| | 1-1/2 40mm | 4.7 2.1 | | 2 50.8 | 5-3/8 136.5 | 5/16 7.9 | 3 76.2 | 3-1/4 82.6 | 7/8 22.2 | 21/32 16.7 | 1-5/8 29.4 | 1-5/8 41.3 | 2-47/64 69.5 | 4 101.6 | 4-3/4 120.7 | 3/8 9.5 | 3/4 19.1 | 1-1/4 31.8 |
| 208 | 1-5/8 1-11/16 1-3/4 45mm | 4.9 4.8 4.7 2.1 | NS400 | 2 50.8 | 5-7/16 138.1 | 5/16 7.9 | 3 76.2 | 3-1/4 82.6 | 7/8 22.2 | 23/32 18.3 | 1-7/32 31.0 | 1-5/8 41.3 | 2-63/64 75.8 | 4 101.6 | 4-3/4 120.7 | 3/8 9.5 | 3/4 19.1 | 1-1/4 31.8 |
| | 1-15/16 2 50mm | 4.9 4.8 2.2 | | 2-3/32 5-1/2 | 5/16 7.9 | 3 76.2 | 3-1/4 82.6 | 7/8 22.2 | 19/32 15.1 | 1-3/32 27.8 | 1-5/8 41.3 | 3-15/64 82.1 | 4 101.6 | 4-3/4 120.7 | 3/8 9.5 | 3/4 19.1 | 1-11/32 34.1 | |
| 209 | 1-1/2 40mm | 4.7 2.1 | NS400 | 2 50.8 | 5-3/8 136.5 | 5/16 7.9 | 3 76.2 | 3-1/4 82.6 | 7/8 22.2 | 21/32 16.7 | 1-5/8 29.4 | 1-5/8 41.3 | 2-47/64 69.5 | 4 101.6 | 4-3/4 120.7 | 3/8 9.5 | 3/4 19.1 | 1-1/4 31.8 |
| | 1-5/8 1-11/16 1-3/4 45mm | 4.9 4.8 4.7 2.1 | | 2 50.8 | 5-7/16 138.1 | 5/16 7.9 | 3 76.2 | 3-1/4 82.6 | 7/8 22.2 | 23/32 18.3 | 1-7/32 31.0 | 1-5/8 41.3 | 2-63/64 75.8 | 4 101.6 | 4-3/4 120.7 | 3/8 9.5 | 3/4 19.1 | 1-1/4 31.8 |
| 210 | 1-15/16 2 50mm | 4.9 4.8 2.2 | NS400 | 2-3/32 53.2 | 5-1/2 139.7 | 5/16 7.9 | 3 76.2 | 3-1/4 82.6 | 7/8 22.2 | 19/32 15.1 | 1-3/32 27.8 | 1-5/8 41.3 | 3-15/64 82.1 | 4 101.6 | 4-3/4 120.7 | 3/8 9.5 | 3/4 19.1 | 1-11/32 34.1 |
| | 2 55mm | 6.8 6.6 3.0 | | 2-1/4 57.2 | 6-1/8 155.6 | 5/16 7.9 | 3-1/2 88.9 | 3-5/8 92.1 | 1 25.4 | 11/16 17.5 | 1-9/32 32.5 | 1-3/4 44.5 | 3-11/16 93.7 | 4-7/16 112.7 | 5-3/8 136.5 | 7/16 11.1 | 7/8 22.2 | 1-3/8 34.9 |
| 211 | 2-1/4 2-7/16 60mm | 8.7 8.4 4.9 | NS415 | 2-5/8 66.7 | 6-11/16 169.9 | 5/16 7.9 | 3-3/4 95.3 | 3-7/8 98.4 | 1 25.4 | 11/16 17.5 | 1-9/32 32.5 | 1-5/8 41.3 | 4-7/64 104.4 | 4-15/16 125.4 | 5-3/4 146.1 | 7/16 11.1 | 1 25.4 | 1-5/8 41.3 |
| | 2 55mm | 6.8 6.6 3.0 | | 2-1/4 57.2 | 6-1/8 155.6 | 5/16 7.9 | 3-1/2 88.9 | 3-5/8 92.1 | 1 25.4 | 11/16 17.5 | 1-9/32 32.5 | 1-3/4 44.5 | 3-11/16 93.7 | 4-7/16 112.7 | 5-3/8 136.5 | 7/16 11.1 | 7/8 22.2 | 1-3/8 34.9 |
| 212 | 2-1/4 2-7/16 60mm | 8.7 8.4 4.9 | NS415 | 2-5/8 66.7 | 6-11/16 169.9 | 5/16 7.9 | 3-3/4 95.3 | 3-7/8 98.4 | 1 25.4 | 11/16 17.5 | 1-9/32 32.5 | 1-5/8 41.3 | 4-7/64 104.4 | 4-15/16 125.4 | 5-3/4 146.1 | 7/16 11.1 | 1 25.4 | 1-5/8 41.3 |
| | 2 55mm | 6.8 6.6 3.0 | | 2-1/4 57.2 | 6-1/8 155.6 | 5/16 7.9 | 3-1/2 88.9 | 3-5/8 92.1 | 1 25.4 | 11/16 17.5 | 1-9/32 32.5 | 1-3/4 44.5 | 3-11/16 93.7 | 4-7/16 112.7 | 5-3/8 136.5 | 7/16 11.1 | 7/8 22.2 | 1-3/8 34.9 |

* + or -.015", + or -.38mm"

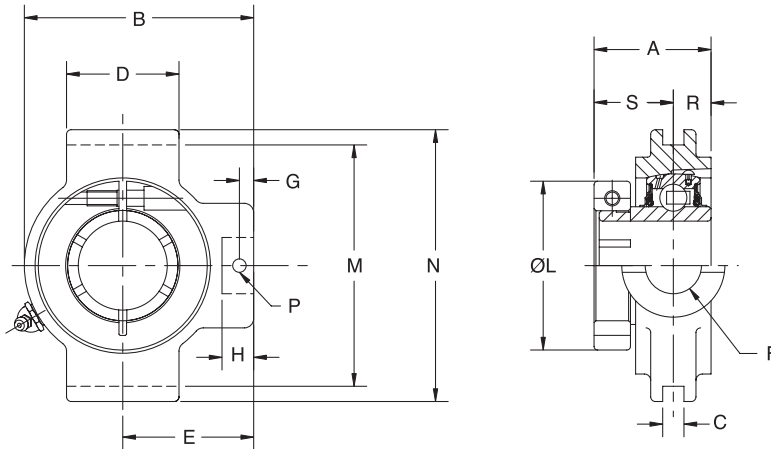
+.010, -.020" +.25mm, -.50mm"

| | | | |
|--------------------------------|---------------------------|-----------------------------------|--------------------------------|
| FEATURES/BENEFITS PAGE B5-2 | NOMENCLATURE PAGE B5-4 | SELECTION/DIMENSIONS PAGE B5-8 | RELATED PRODUCTS PAGE B5-67 |
|--------------------------------|---------------------------|-----------------------------------|--------------------------------|

SELECTION/DIMENSIONS



D-LOK Ball Bearings DLM MEDIUM DUTY NARROW SLOT TAKE-UP BEARINGS



| Series | Shaft Size | Part No. | Description |
|--------|------------|---------------|--------------|
| 206 | 1 | 067726 | NSTU-DLM-100 |
| 207 | 1-3/16 | @ | NSTU-DLM-103 |
| | 1-1/4 | @ | NSTU-DL-104 |
| 208 | 1-7/16 | 056779 | NSTU-DLM-107 |
| | 35mm | @ | NSTU-DLM-35M |
| 209 | 1-1/2 | @ | NSTU-DLM-108 |
| | 1-5/8 | @ | NSTU-DL-110L |
| 210 | 1-11/16 | 058081 | NSTU-DLM-111 |
| | 1-3/4 | @ | NSTU-DLM-112 |
| 211 | 1-15/16 | @ | NSTU-DLM-115 |
| | 2 | @ | NSTU-DLM-200 |
| 212 | 2-3/16 | @ | NSTU-DLM-203 |
| | 2-1/4 | @ | NSTU-DLM-204 |

@ Assembled to order

FEATURES/BENEFITS
PAGE B5-2

NOMENCLATURE
PAGE B5-4

SELECTION/DIMENSIONS
PAGE B5-8

RELATED PRODUCTS
PAGE B5-67

SELECTION/DIMENSIONS



D-LOK Ball Bearings DLM MEDIUM DUTY NARROW SLOT TAKE-UP BEARINGS

D-LOK

Type E Family

Specialty Tapered

S-2000

UNISPHERE II

| Series | Shaft Size | Weight lbs kg | Take-Up Frame Size | A | B | C* | D | E | F Screw Dia. | G | H | J | L | M# | N | P Pin Dia. | R | S |
|--------|------------------|------------------|--------------------|-----------|----------------|-------------|-----------|---------------|--------------|---------------|----------------|---------------|-----------------|------------|----------------|------------|-------------|---------------|
| 206 | 1 | 2.6 | NS308 | 1-9/16 | 4-5/16 | 1/4 | 2-1/2 | 2-11/16 | 3/4 | 1/2 | 15/16 | 1-3/8 | 2-7/32 | 3-1/2 | 4-1/8 | 5/16 | 5/8 | 15/16 |
| 207 | 1-3/16 1-1/4 | 2.8 2.8 | NS308 | 1-3/4 | 4-1/2 | 1/4 | 2-1/2 | 2-11/16 | 3/4 | 1/2 | 15/16 | 1-3/8 | 2-11/16 | 3-1/2 | 4-1/8 | 5/16 | 11/16 | 1-1/16 |
| 208 | 1-7/16 35mm | 4.7 2.1 | NS400 | 2 50.8 | 5-3/8 136.5 | 5/16 7.9 | 3 76.2 | 3-1/4 82.6 | 7/8 22.2 | 11/16 17.5 | 1-5/32 29.4 | 1-5/8 41.3 | 2-47/64 69.5 | 4 101.6 | 4-3/4 120.7 | 3/8 9.5 | 3/4 19.1 | 1-1/4 31.8 |
| 209 | 1-1/2 1-5/8 | 4.9 4.8 | NS400 | 2 | 5-7/16 | 5/16 | 3 | 3-1/4 | 7/8 | 21/32 | 1-5/32 | 1-5/8 | 2-63/64 | 4 | 4-3/4 | 3/8 | 3/4 | 1-1/4 |
| 210 | 1-11/16 1-3/4 | 4.9 4.8 | NS400 | 2-3/32 | 5-1/2 | 5/16 | 3 | 3-1/4 | 7/8 | 23/32 | 1-7/32 | 1-5/8 | 3-15/64 | 4 | 4-3/4 | 3/8 | 3/4 | 1-11/32 |
| 211 | 1-15/16 2 | 6.8 6.8 | NS407 | 2-1/4 | 6-1/8 | 5/16 | 3-1/2 | 3-5/8 | 1 | 19/32 | 1-3/32 | 1-3/4 | 3-11/16 | 4-7/16 | 5-3/8 | 7/16 | 7/8 | 1-3/8 |
| 212 | 2-3/16 2-1/4 | 8.7 8.7 | NS415 | 2-5/8 | 6-11/16 | 5/16 | 3-3/4 | 3-7/8 | 1 | 11/16 | 1-9/32 | 1-5/8 | 4-7/64 | 4-15/16 | 5-3/4 | 7/16 | 1 | 1-5/8 |

* + or -.015", + or -.38mm"

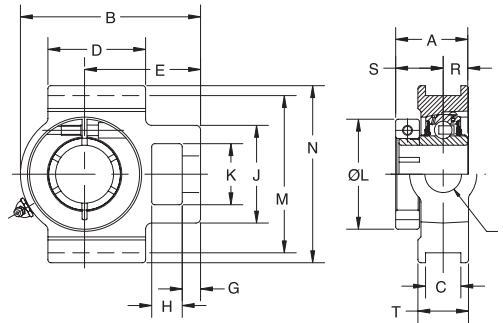
+.010, -.020" +.25mm, -.50mm"

| | | | |
|--------------------------------|---------------------------|-----------------------------------|--------------------------------|
| FEATURES/BENEFITS PAGE B5-2 | NOMENCLATURE PAGE B5-4 | SELECTION/DIMENSIONS PAGE B5-8 | RELATED PRODUCTS PAGE B5-67 |
|--------------------------------|---------------------------|-----------------------------------|--------------------------------|

SELECTION/DIMENSIONS



D-LOK Ball Bearings DL NORMAL DUTY WIDE SLOT TAKE-UP BEARINGS



| Series | Shaft Size | Standard | |
|--------|------------|---------------|--------------|
| | | Part No. | Description |
| 204 | 3/4 | @ | WSTU-DL-012 |
| | 20mm | @ | WSTU-DL-20M |
| 205 | 7/8 | @ | WSTU-DL-014 |
| | 15/16 | 064698 | WSTU-DL-015 |
| | 1 | 056605 | WSTU-DL-100 |
| | 25mm | @ | WSTU-DL-25M |
| 206 | 1-1/8 | @ | WSTU-DL-102 |
| | 1-3/16 | 057770 | WSTU-DL-103 |
| | 1-1/4 | @ | WSTU-DL-104S |
| | 30mm | 049496 | WSTU-DL-30M |
| 207 | 1-1/4 | 056638 | WSTU-DL-104 |
| | 1-3/8 | 062184 | WSTU-DL-106 |
| | 1-7/16 | 053517 | WSTU-DL-107 |
| | 35mm | @ | WSTU-DL-35M |
| 208 | 1-1/2 | 052546 | WSTU-DL-108 |
| | 40mm | @ | WSTU-DL-40M |
| 209 | 1-5/8 | 059593 | WSTU-DL-110L |
| | 1-11/16 | @ | WSTU-DL-111 |
| | 1-3/4 | 068389 | WSTU-DL-112 |
| | 45mm | @ | WSTU-DL-45M |
| 210 | 1-15/16 | 052722 | WSTU-DL-115 |
| | 2 | 059704 | WSTU-DL-200 |
| | 50mm | @ | WSTU-DL-50M |
| 211 | 2 | 058647 | WSTU-DLM-200 |
| | 2-3/16 | 062306 | WSTU-DL-203 |
| | 55mm | @ | WSTU-DL-55M |
| 212 | 2-1/4 | @ | WSTU-DLM-204 |
| | 2-7/16 | 049747 | WSTU-DL-207 |
| | 60mm | @ | WSTU-DL-60M |
| 214 | 2-1/2 | 064300 | WSTU-DLM-208 |
| | 2-11/16 | @ | WSTU-DL-211 |
| | 70mm | @ | WSTU-DL-70M |
| 215 | 2-15/16 | 064890 | WSTU-DL-215 |

@ Assembled to order

FEATURES/BENEFITS
PAGE B5-2

NOMENCLATURE
PAGE B5-4

SELECTION/DIMENSIONS
PAGE B5-8

RELATED PRODUCTS
PAGE B5-67

SELECTION/DIMENSIONS



D-LOK Ball Bearings DL NORMAL DUTY WIDE SLOT TAKE-UP BEARINGS

| Series | Shaft Size | Weight lbs kg | Take-Up Frame Size | A | B | C* | D | E | F Screw Dia. | G | H | J | K | L | M# | N | R | S | T |
|--------|---------------------------|--------------------------|--------------------|----------------|-----------------|---------------|-----------|----------------|--------------|------------|-------------|-----------|----------------|-----------------|-----------|---------------|--------------|---------------|---------------|
| 204 | 3/4 20mm | 1.9 0.9 | WS300 | 1-9/32 32.5 | 3-11/16 93.7 | 17/32 13.5 | 2 50.8 | 2-3/8 60.3 | 5/8 15.9 | 3/8 9.5 | 5/8 15.9 | 2 50.8 | 1-1/4 31.8 | 1-45/64 43.3 | 3 76.2 | 3-5/8 92.1 | 1/2 12.7 | 25/32 19.8 | 1-3/8 34.9 |
| | 7/8 15/16 1 25mm | 2.2 2.1 2.0 1.0 | | 1-7/16 36.5 | 3-3/16 96.8 | 17/32 13.5 | 2 50.8 | 2-7/16 61.9 | 5/8 15.9 | 3/8 9.5 | 5/8 15.9 | 2 50.8 | 1-5/16 33.3 | 2 50.8 | 3 76.2 | 3-5/8 92.1 | 9/16 14.3 | 7/8 22.2 | 1-3/8 34.9 |
| 206 | 1-1/8 | 2.7 | WS308 | 1-9/16 | 4-3/8 | 17/32 | 2-1/4 | 2-3/4 | 3/4 | 3/8 | 5/8 | 2-3/16 | 1-7/16 | 2-7/32 | 3-1/2 | 4-1/8 | 5/8 | 15/16 | 1-5/8 |
| | 1-3/16 | 2.6 | | 39.7 | 111.1 | 13.5 | 57.2 | 69.9 | 19.1 | 9.5 | 15.9 | 55.6 | 36.5 | 56.4 | 88.9 | 104.8 | 15.9 | 23.8 | 41.3 |
| | 1-1/4 30mm | 2.5 1.3 | | 39.7 | 111.1 | 13.5 | 57.2 | 69.9 | 19.1 | 9.5 | 15.9 | 55.6 | 36.5 | 56.4 | 88.9 | 104.8 | 15.9 | 23.8 | 41.3 |
| 207 | 1-1/4 | 3.7 | WS308 | 1-3/4 | 4-7/8 | 17/32 | 2-1/2 | 3-1/16 | 3/4 | 1/2 | 5/8 | 2-1/2 | 1-7/16 | 2-11/16 | 3-1/2 | 4-1/8 | 11/16 | 1-1/16 | 1-5/8 |
| | 1-3/8 | 3.6 | | 44.5 | 123.8 | 13.5 | 63.5 | 77.8 | 19.1 | 12.7 | 15.9 | 63.5 | 36.5 | 68.3 | 88.9 | 4.0 | 17.5 | 27.0 | 41.3 |
| | 1-7/16 35mm | 3.5 1.6 | | 44.5 | 123.8 | 13.5 | 63.5 | 77.8 | 19.1 | 12.7 | 15.9 | 63.5 | 36.5 | 68.3 | 88.9 | 4.0 | 17.5 | 27.0 | 41.3 |
| 208 | 1-1/2 | 6.1 | WS400 | 2 | 5-11/16 | 11/16 | 3-1/4 | 3-1/2 | 1 | 5/8 | 3/4 | 3-1/4 | 1-15/16 | 2-47/64 | 4 | 0 | 3/4 | 1-1/4 | 1-15/16 |
| | 40mm | 2.8 | | 50.8 | 144.5 | 17.5 | 82.6 | 88.9 | 25.4 | 15.9 | 19.1 | 82.6 | 49.2 | 69.5 | 101.6 | 114.3 | 19.1 | 31.8 | 49.2 |
| 209 | 1-5/8 | 6.1 | WS400 | 2 | 5-5/8 | 11/16 | 3-1/4 | 3-7/16 | 1 | 5/8 | 3/4 | 3-1/4 | 1-15/16 | 2-63/64 | 4 | 4-3/4 | 3/4 | 1-1/4 | 1-15/16 |
| | 1-11/16 | 6.0 | | 50.8 | 142.9 | 17.5 | 82.6 | 87.3 | 25.4 | 15.9 | 19.1 | 82.6 | 49.2 | 75.8 | 101.6 | 120.7 | 19.1 | 31.8 | 49.2 |
| | 1-3/4 45mm | 5.9 2.7 | | 50.8 | 142.9 | 17.5 | 82.6 | 87.3 | 25.4 | 15.9 | 19.1 | 82.6 | 49.2 | 75.8 | 101.6 | 120.7 | 19.1 | 31.8 | 49.2 |
| 210 | 1-15/16 | 6.4 | WS400 | 2-3/32 | 5-13/16 | 11/16 | 3-3/8 | 3-9/16 | 1 | 5/8 | 3/4 | 3-1/4 | 1-15/16 | 3-15/64 | 4 | 4-3/4 | 3/4 | 1-11/32 | 1-15/16 |
| | 2 50mm | 6.3 2.9 | | 53.2 | 147.6 | 17.5 | 85.7 | 90.5 | 25.4 | 15.9 | 19.1 | 82.6 | 49.2 | 82.1 | 101.6 | 120.7 | 19.1 | 34.1 | 49.2 |
| 211 | 2 | 10.1 | WS502 | 2-1/4 | 6-11/16 | 1-1/16 | 3-3/4 | 4-3/16 | 1-1/4 | 3/4 | 1 | 4 | 2-1/2 | 3-11/16 | 5-1/8 | 5-7/8 | 7/8 | 1-3/8 | 2-1/2 |
| | 2-3/16 55mm | 10.0 4.5 | | 57.2 | 169.9 | 27.0 | 95.3 | 106.4 | 31.8 | 19.1 | 25.4 | 101.6 | 63.5 | 93.7 | 130.2 | 149.2 | 22.2 | 34.9 | 63.5 |
| 212 | 2-1/4 | 11.2 | WS502 | 2-5/8 | 7-1/2 | 1-1/16 | 4 | 4-11/16 | 1-1/4 | 3/4 | 1-1/4 | 4 | 2-1/2 | 4-7/64 | 5-1/8 | 5-7/8 | 1 | 1-5/8 | 2-1/2 |
| | 2-7/16 60mm | 10.8 4.9 | | 66.7 | 190.5 | 27.0 | 101.6 | 119.1 | 31.8 | 19.1 | 31.8 | 101.6 | 63.5 | 104.4 | 130.2 | 149.2 | 25.4 | 41.3 | 63.5 |
| 214 | 2-1/2 | 18.0 | WS515 | 2-13/16 | 8-9/16 | 1-1/16 | 4-3/4 | 5-3/8 | 1-1/2 | 13/16 | 1-1/4 | 4-3/8 | 2-3/4 | 4-3/8 | 5-15/16 | 6-9/16 | 1-1/16 | 1-3/4 | 2-3/4 |
| | 2-11/16 70mm | 17.8 8.2 | | 71.4 | 217.5 | 27.0 | 120.7 | 136.5 | 38.1 | 20.6 | 31.8 | 111.1 | 69.9 | 111.1 | 150.8 | 166.7 | 27.0 | 44.5 | 69.9 |
| 215 | 2-15/16 | 18.9 | WS515 | 2-21/64 | 9-1/8 | 1-1/16 | 4-3/4 | 5-1/2 | 1-1/2 | 13/16 | 1-1/4 | 4-3/8 | 2-3/4 | 4-11/16 | 5-15/16 | 6-11/16 | 53/64 | 1-1/2 | 2-3/4 |

*+ or -.015", + or -.38mm"

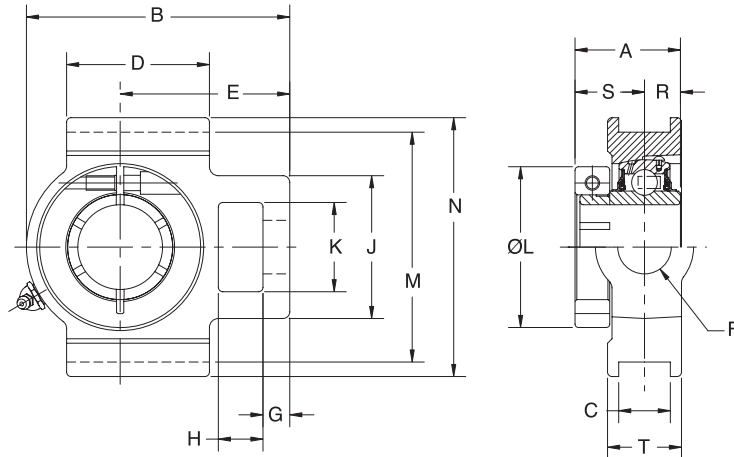
*+ or -.015", + or -.38mm"

| | | | |
|--------------------------------|---------------------------|-----------------------------------|--------------------------------|
| FEATURES/BENEFITS PAGE B5-2 | NOMENCLATURE PAGE B5-4 | SELECTION/DIMENSIONS PAGE B5-8 | RELATED PRODUCTS PAGE B5-67 |
|--------------------------------|---------------------------|-----------------------------------|--------------------------------|

SELECTION/DIMENSIONS



D-LOK Ball Bearings DLM MEDIUM DUTY WIDE SLOT TAKE-UP BEARINGS



| Series | Shaft Size | Standard | |
|--------|------------|---------------|--------------|
| | | Part No. | Description |
| 206 | 1 | 049696 | WSTU-DLM-100 |
| 207 | 1-3/16 | 068232 | WSTU-DLM-103 |
| | 1-1/4 | 056638 | WSTU-DL-104 |
| 208 | 1-7/16 | 062702 | WSTU-DLM-107 |
| | 35mm | 054390 | WSTU-DLM-35M |
| 209 | 1-1/2 | @ | WSTU-DLM-108 |
| | 1-5/8 | @ | WSTU-DL-110L |
| 210 | 1-11/16 | 054411 | WSTU-DLM-111 |
| | 1-3/4 | @ | WSTU-DLM-112 |
| 211 | 1-15/16 | 057266 | WSTU-DLM-115 |
| | 2 | 058347 | WSTU-DLM-200 |
| 212 | 2-3/16 | @ | WSTU-DLM-203 |
| | 2-1/4 | 062881 | WSTU-DLM-204 |
| 214 | 2-7/16 | 062285 | WSTU-DLM-207 |
| | 2-1/2 | 064300 | WSTU-DLM-208 |
| | 65mm | @ | WSTU-DLM-65M |
| 215 | 2-11/16 | @ | WSTU-DLM-211 |
| 216 | 2-15/16 | 059758 | WSTU-DLM-215 |

@ Assembled to order

FEATURES/BENEFITS
PAGE B5-2

NOMENCLATURE
PAGE B5-4

SELECTION/DIMENSIONS
PAGE B5-8

RELATED PRODUCTS
PAGE B5-67

SELECTION/DIMENSIONS



D-LOK Ball Bearings DLM MEDIUM DUTY WIDE SLOT TAKE-UP BEARINGS

D-LOK

Type E Family

Specialty Tapered

S-2000

UNISPHERE II

| Series | Shaft Size | Weight lbs kg | Take-Up Frame Size | A | B | C* | D | E | F Screw Dia. | G | H | J | K | L | M# | N | R | S | T |
|--------|-------------------------|---------------------|--------------------------|-----------------|------------------|----------------|----------------|----------------|--------------------|---------------|---------------|----------------|-----------------|-----------------|------------------|-----------------|----------------|---------------|-----------------|
| 206 | 1 | 4.1 | WS308 | 1-9/16 | 4-3/8 | 17/32 | 2-1/4 | 2-3/4 | 3/4 | 3/8 | 5/8 | 2-3/16 | 1-7/16 | 2-7/32 | 3-1/2 | 4-1/8 | 5/8 | 15/16 | 1-5/8 |
| 207 | 1-3/16 1-1/4 | 5.1 3.7 | WS308 | 1-3/4 | 4-7/8 | 17/32 | 2-1/2 | 3-1/16 | 3/4 | 1/2 | 5/8 | 2-1/2 | 1-7/16 | 2-11/16 | 3-1/2 | 4-1/8 | 11/16 | 1-1/16 | 1-5/8 |
| 208 | 1-7/16 35mm | 7.3 3.5 | WS400 | 2 50.8 | 5-11/16 144.5 | 11/16 17.5 | 3-1/4 82.6 | 3-1/2 88.9 | 1 25.4 | 5/8 15.9 | 3/4 19.1 | 3-1/4 82.6 | 1-15/16 49.2 | 2-47/64 69.5 | 4 101.6 | 0 114.3 | 3/4 19.1 | 1-1/4 31.8 | 1-15/16 49.2 |
| 209 | 1-1/2 1-5/8 | 7.2 6.1 | WS400 | 2 | 5-5/8 | 11/16 | 3-1/4 | 3-7/16 | 1 | 5/8 | 3/4 | 3-1/4 | 1-15/16 | 2-63/64 | 4 | 4-3/4 | 3/4 | 1-1/4 | 1-15/16 |
| 210 | 1-11/16 1-3/4 | 7.7 7.6 | WS400 | 2-3/32 | 5-13/16 | 11/16 | 3-3/8 | 3-9/16 | 1 | 5/8 | 3/4 | 3-1/4 | 1-15/16 | 3-15/64 | 4 | 4-3/4 | 3/4 | 1-11/32 | 1-15/16 |
| 211 | 1-15/16 2 | 11.2 11.3 | WS502 | 2-1/4 | 6-11/16 | 1-1/16 | 3-3/4 | 4-3/16 | 1-1/4 | 3/4 | 1 | 4 | 2-1/2 | 3-11/16 | 5-1/8 | 5-7/8 | 7/8 | 1-3/8 | 2-1/2 |
| 212 | 2-3/16 2-1/4 | 12.6 12.4 | WS502 | 2-5/8 | 7-1/2 | 1-1/16 | 4 | 4-11/16 | 1-1/4 | 3/4 | 1-1/4 | 4 | 2-1/2 | 4-7/64 | 5-1/8 | 5-7/8 | 1 | 1-5/8 | 2-1/2 |
| 214 | 2-7/16 2-1/2 65mm | 19.4 19.2 9.3 | WS515 | 2-13/16 71.4 | 8-9/16 217.5 | 1-1/16 27.0 | 4-3/4 120.7 | 5-3/8 136.5 | 1-1/2 38.1 | 13/16 20.6 | 1-1/4 31.8 | 4-3/8 111.1 | 2-3/4 69.9 | 4-3/8 111.1 | 5-15/16 150.8 | 6-9/16 166.7 | 1-1/16 27.0 | 1-3/4 44.5 | 2-3/4 69.9 |
| 215 | 2-11/16 | 20.2 | WS515 | 2-21/64 | 9-1/8 | 1-1/16 | 4-3/4 | 5-1/2 | 1-1/2 | 13/16 | 1-1/4 | 4-3/8 | 2-3/4 | 4-11/16 | 5-15/16 | 6-11/16 | 53/64 | 1-1/2 | 2-3/4 |
| 216 | 2-15/16 | 22.9 | WS608 | 2-21/32 | 9-1/8 | 1-1/16 | 4-3/4 | 5-1/2 | 1-1/2 | 13/16 | 1-1/4 | 4-3/8 | 2-3/4 | 5-1/2 | 6-1/2 | 7-1/4 | 59/64 | 1-47/64 | 2-3/4 |

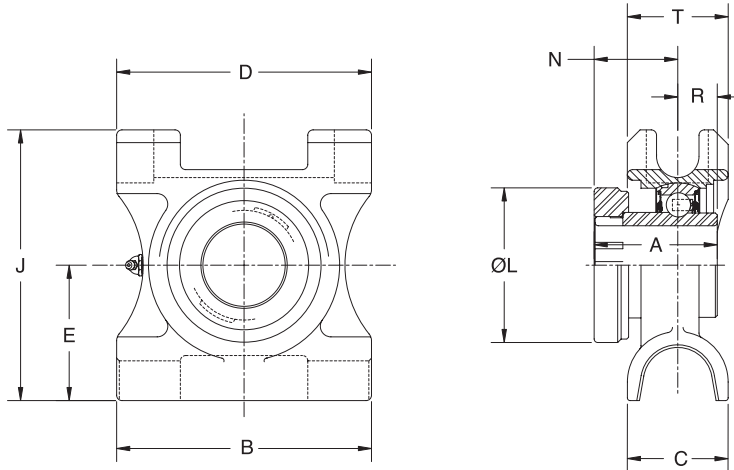
*+ or -.015", + or -.38mm

| | | | |
|--------------------------------|---------------------------|-----------------------------------|--------------------------------|
| FEATURES/BENEFITS PAGE B5-2 | NOMENCLATURE PAGE B5-4 | SELECTION/DIMENSIONS PAGE B5-8 | RELATED PRODUCTS PAGE B5-67 |
|--------------------------------|---------------------------|-----------------------------------|--------------------------------|

SELECTION/DIMENSIONS



D-LOK Ball Bearings DL NORMAL DUTY TOP ANGLE TAKE-UP BEARINGS



| Series | Shaft Size | Part No. | Description |
|--------|------------|---------------|-------------|
| 210 | 1-15/16 | @ | TP-DL-115 |
| | 2 | @ | TP-DL-200 |
| 211 | 2 | @ | TP-DLM-200 |
| | 2-3/16 | @ | TP-DL-203 |
| 212 | 2-1/4 | @ | TP-DLM-204 |
| | 2-7/16 | @ | TP-DL-207 |
| 214 | 2-1/2 | @ | TP-DLM-208 |
| | 2-11/16 | @ | TP-DL-211 |
| 215 | 2-15/16 | 049415 | TP-DL-215 |

@ Assembled to order

D-LOK

Type E Family

Specialty Tapered

S-2000

UNISPHERE II

FEATURES/BENEFITS
PAGE B5-2

NOMENCLATURE
PAGE B5-4

SELECTION/DIMENSIONS
PAGE B5-8

RELATED PRODUCTS
PAGE B5-67

SELECTION/DIMENSIONS



D-LOK Ball Bearings DL NORMAL DUTY TOP ANGLE TAKE-UP BEARINGS

D-LOK

Type E Family

Specialty Tapered

S-2000

UNISPHERE II

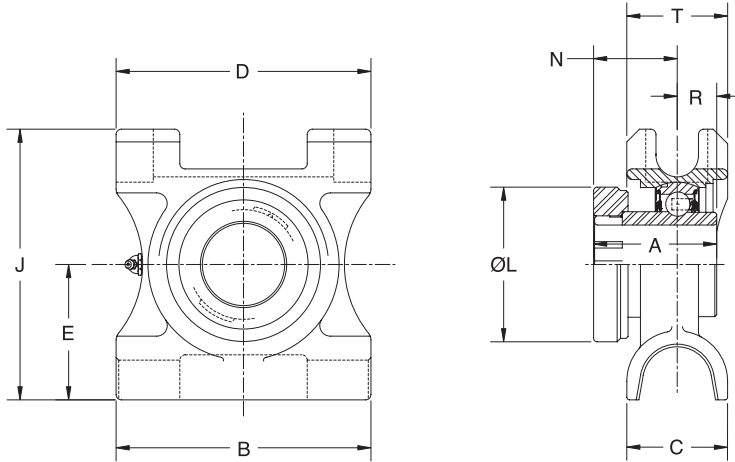
| Series | Shaft Size | Weight lbs | Take-Up Frame Size | A | B | C | D | E | J | L | N | R | T |
|--------|------------------|--------------|--------------------|---------|-------|-------|-------|-------|--------|---------|---------|--------|-------|
| 210 | 1-15/16 2 | 11.4 11.2 | TP10 | 2-3/32 | 6-1/2 | 2-3/8 | 6 | 3-1/4 | 6-3/8 | 3-15/64 | 1-11/32 | 3/4 | 2-3/8 |
| 211 | 2 2-3/16 | 13.7 13.2 | TP20 | 2-1/4 | 7 | 2-1/2 | 6-3/4 | 3-3/8 | 6-7/8 | 3-11/16 | 1-3/8 | 7/8 | 2-3/8 |
| 212 | 2-1/4 2-7/16 | 17.2 17.1 | TP30 | 2-5/8 | 7-1/2 | 2-3/4 | 7 | 3-1/2 | 7-7/16 | 4-7/64 | 1-5/8 | 1 | 2-3/4 |
| 214 | 2-1/2 2-11/16 | 22.5 22.3 | TP40 | 2-13/16 | 8-1/2 | 2-1/2 | 8 | 4 | 8-5/16 | 4-3/8 | 1-3/4 | 1-1/16 | 2-3/4 |
| 215 | 2-15/16 | 22.4 | TP40 | 2-21/64 | 8-1/2 | 2-1/2 | 8 | 4 | 8-5/16 | 4-11/16 | 1-1/2 | 53/64 | 2-3/4 |

| | | | |
|--------------------------------|---------------------------|-----------------------------------|--------------------------------|
| FEATURES/BENEFITS PAGE B5-2 | NOMENCLATURE PAGE B5-4 | SELECTION/DIMENSIONS PAGE B5-8 | RELATED PRODUCTS PAGE B5-67 |
|--------------------------------|---------------------------|-----------------------------------|--------------------------------|

SELECTION/DIMENSIONS



D-LOK Ball Bearings DLM MEDIUM DUTY TOP ANGLE TAKE-UP BEARINGS



| Series | Shaft Size | Part No. | Description |
|--------|------------|---------------|-------------|
| 210 | 1-11/16 | @ | TP-DLM-111 |
| | 1-3/4 | @ | TP-DLM-112 |
| 211 | 1-15/16 | @ | TP-DLM-115 |
| | 2 | @ | TP-DLM-200 |
| 212 | 2-3/16 | @ | TP-DLM-203 |
| | 2-1/4 | 062880 | TP-DLM-204 |
| 214 | 2-7/16 | 049813 | TP-DLM-207 |
| | 2-1/2 | @ | TB-DLM-208 |
| 215 | 2-11/16 | @ | TP-DLM-211 |
| 216 | 2-15/16 | 049855 | TP-DLM-215 |
| 218 | 3-7/16 | @ | TP-DLM-307 |

@ Assembled to order

D-LOK

Type E Family

Specialty Tapered

S-2000

UNISPHERE II

FEATURES/BENEFITS
PAGE B5-2

NOMENCLATURE
PAGE B5-4

SELECTION/DIMENSIONS
PAGE B5-8

RELATED PRODUCTS
PAGE B5-67

SELECTION/DIMENSIONS



D-LOK Ball Bearings DLM MEDIUM DUTY TOP ANGLE TAKE-UP BEARINGS

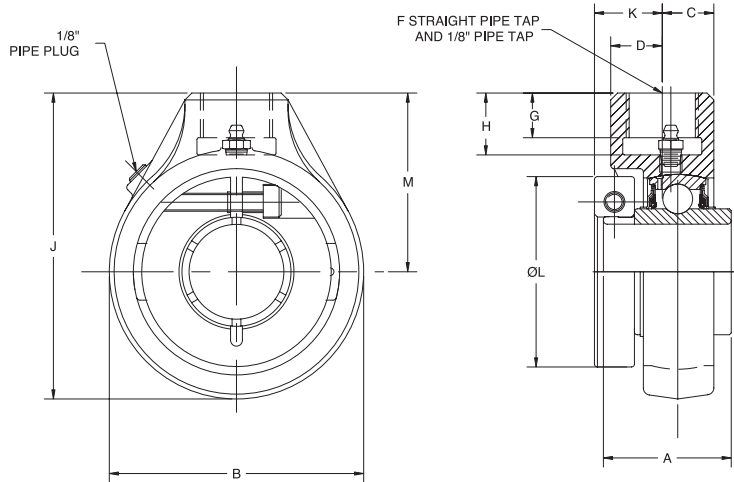
| Series | Shaft Size | Weight lbs | Take-Up Frame Size | A | B | C | D | E | J | L | N | R | T |
|--------|------------------|--------------|--------------------|---------|-------|-------|--------|-------|--------|---------|---------|--------|-------|
| 210 | 1-11/16 1-3/4 | 11.6 11.2 | TP10 | 2-3/32 | 6-1/2 | 2-3/8 | 6 | 3-1/4 | 6-3/8 | 3-15/64 | 1-11/32 | 3/4 | 2-3/8 |
| 211 | 1-15/16 2 | 14.0 13.7 | TP20 | 2-1/4 | 7 | 2-1/2 | 6-3/4 | 3-3/8 | 6-7/8 | 3-11/16 | 1-3/8 | 7/8 | 2-3/8 |
| 212 | 2-3/16 2-1/4 | 17.4 17.2 | TP30 | 2-5/8 | 7-1/2 | 2-3/4 | 7 | 3-1/2 | 7-7/16 | 4-7/64 | 1-5/8 | 1 | 2-3/4 |
| 214 | 2-7/16 2-1/2 | 22.9 22.5 | TP40 | 2-13/16 | 8-1/2 | 2-1/2 | 8 | 4 | 8-5/16 | 4-3/8 | 1-3/4 | 1-1/16 | 2-3/4 |
| 215 | 2-11/16 | 26.2 | TP40 | 2-21/64 | 8-1/2 | 2-1/2 | 8 | 4 | 8-5/16 | 4-11/16 | 1-1/2 | 53/64 | 2-3/4 |
| 216 | 2-15/16 | 31.0 | TP50 | 2-31/64 | 9-1/2 | 2-3/4 | 7 | 4-1/2 | 9-5/8 | 5 | 1-41/64 | 27/32 | 3-1/8 |
| 218 | 3-7/16 | 41.4 | TP50 | 2-21/32 | 11 | 3-1/8 | 10-1/2 | 5-1/2 | 11 | 5-1/2 | 1-47/64 | 59/64 | 3-1/8 |

| | | | |
|--------------------------------|---------------------------|-----------------------------------|--------------------------------|
| FEATURES/BENEFITS PAGE B5-2 | NOMENCLATURE PAGE B5-4 | SELECTION/DIMENSIONS PAGE B5-8 | RELATED PRODUCTS PAGE B5-67 |
|--------------------------------|---------------------------|-----------------------------------|--------------------------------|

SELECTION/DIMENSIONS



D-LOK Ball Bearings DL NORMAL DUTY SCREW CONVEYOR HANGER BEARINGS



| Series | Shaft Size | Part No. | Description |
|--------|------------|---------------|-------------|
| 206 | 1 | @ | SCHB-DL-100 |
| | 1-1/8 | @ | SCHB-DL-102 |
| 207 | 1-3/16 | @ | SCHB-DL-103 |
| | 1-1/4 | @ | SCHB-DL-104 |
| | 1-3/8 | @ | SCHB-DL-106 |
| 208 | 1-7/16 | @ | SCHB-DL-107 |
| | 1-1/2 | 068608 | SCHB-DL-108 |
| 210 | 1-11/16 | @ | SCHB-DL-111 |
| | 1-3/4 | @ | SCHB-DL-112 |
| | 1-15/16 | 062443 | SCHB-DL-115 |
| | 2 | @ | SCHB-DL-200 |
| 212 | 2-3/16 | @ | SCHB-DL-203 |
| | 2-1/4 | @ | SCHB-DL-204 |
| | 2-7/16 | 049781 | SCHB-DL-207 |
| 216 | 2-15/16 | @ | SCHB-DL-215 |
| 218 | 3-7/16 | @ | SCHB-DL-307 |

@ Assembled to order

D-LOK

Type E Family

Specialty Tapered

S-2000

UNISPHERE II

| | | | |
|--------------------------------|---------------------------|-----------------------------------|--------------------------------|
| FEATURES/BENEFITS PAGE B5-2 | NOMENCLATURE PAGE B5-4 | SELECTION/DIMENSIONS PAGE B5-8 | RELATED PRODUCTS PAGE B5-67 |
|--------------------------------|---------------------------|-----------------------------------|--------------------------------|

SELECTION/DIMENSIONS



D-LOK Ball Bearings DL NORMAL DUTY SCREW CONVEYOR HANGER BEARINGS

D-LOK

Type E Family

Specialty Tapered

S-2000

UNISPHERE II

| Series | Shaft Size | Weight lbs. | A | B | C | D | F* (NPSM) | G | H | J | K | L | M |
|--------|------------|-------------|---------|--------|---------|---------|----------------|-------|---------|---------|---------|---------|-------|
| 206 | 1 | 3.0 | 1-9/16 | 3-1/8 | 53/64 | 47/64 | 3/4 - 14 | 3/4 | 15/16 | 4-1/16 | 57/64 | 2-7/32 | 2-1/2 |
| | 1-1/8 | 2.7 | | | | | | | | | | | |
| 207 | 1-3/16 | 3.4 | 1-3/4 | 3-7/8 | 53/64 | 53/64 | 3/4 - 14 | 5/8 | 15/16 | 4-11/16 | 1 | 2-11/16 | 2-3/4 |
| | 1-1/4 | 3.3 | | | | | | | | | | | |
| | 1-3/8 | 3.1 | | | | | | | | | | | |
| 208 | 1-7/16 | 4.0 | 2 | 4 | 53/64 | 53/64 | 3/4 - 14 | 5/8 | 15/16 | 4-7/8 | 1-5/64 | 2-47/64 | 2-7/8 |
| | 1-1/2 | 3.6 | | | | | | | | | | | |
| 210 | 1-11/16 | 5.4 | 2-3/32 | 4-5/8 | 15/16 | 7/8 | 1 - 11-1/2 | 13/16 | 1-1/8 | 5-9/16 | 1-1/16 | 3-15/64 | 3-1/4 |
| | 1-3/4 | 5.3 | | | | | | | | | | | |
| | 1-15/16 | 5.2 | | | | | | | | | | | |
| | 2 | 5.0 | | | | | | | | | | | |
| 212 | 2-3/16 | 9.6 | 2-5/8 | 5-1/2 | 1-5/32 | 1-5/32 | 1-1/4 - 11-1/2 | 1-1/8 | 1-7/16 | 6-3/4 | 1-9/32 | 4-7/64 | 4 |
| | 2-1/4 | 9.4 | | | | | | | | | | | |
| | 2-7/16 | 9.2 | | | | | | | | | | | |
| 216 | 2-15/16 | 16.9 | 2-31/64 | 7 | 1-23/64 | 1-13/32 | 1-1/2 - 11-1/2 | 1-1/4 | 1-11/16 | 8-3/8 | 1-5/16 | 5 | 4-7/8 |
| 218 | 3-7/16 | 23.0 | 2-21/32 | 8-5/16 | 1-3/4 | 1-3/4 | 2 - 11-1/2 | 1-3/4 | 2-3/16 | 10-5/32 | 1-17/32 | 5-1/2 | 6 |

Note: Sizes 1, 1-3/16, 1-7/16, 1-11/16, 1-3/4, 2-3/16, 2-1/4, 2-15/16, 3, 3-7/16, & 3-1/2 use DLM inserts

* Use straight thread for the pipe. Bearing can be secured with a heavy locknut.

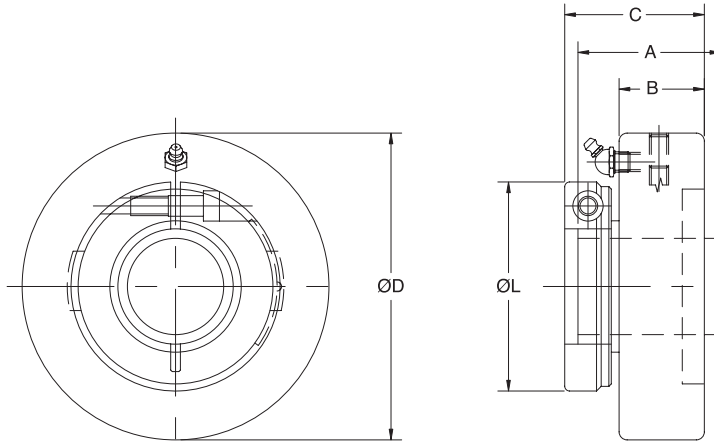
Pipe plug and lube fitting are factory installed and may be reversed from position shown.

| | | | |
|--------------------------------|---------------------------|-----------------------------------|--------------------------------|
| FEATURES/BENEFITS PAGE B5-2 | NOMENCLATURE PAGE B5-4 | SELECTION/DIMENSIONS PAGE B5-8 | RELATED PRODUCTS PAGE B5-67 |
|--------------------------------|---------------------------|-----------------------------------|--------------------------------|

SELECTION/DIMENSIONS



D-LOK Ball Bearings DL NORMAL DUTY CYLINDRICAL UNITS



| Series | Shaft Size | Part No. | Description |
|--------|------------|---------------|-------------------|
| 205 | 7/8 | @ | CYL-DL-014* |
| | 15/16 | @ | CYL-DL-015* |
| | 1 | 049430 | CYL-DL-100* |
| 206 | 1-1/8 | 059754 | CYL-DL-102 |
| | 1-3/16 | @ | CYL-DL-103 |
| | 1-1/4 | @ | CYL-DL-104S |
| | 30mm | 056468 | <i>CYL-DL-30M</i> |
| 207 | 1-1/4 | @ | CYL-DL-104 |
| | 1-3/8 | @ | CYL-DL-106 |
| | 1-7/16 | 053045 | CYL-DL-107 |

* 45 degree lube fitting is used in place of standard

D-LOK

Type E Family

Specialty Tapered

S-2000

UNISPHERE II

FEATURES/BENEFITS
PAGE B5-2

NOMENCLATURE
PAGE B5-4

SELECTION/DIMENSIONS
PAGE B5-8

RELATED PRODUCTS
PAGE B5-67

SELECTION/DIMENSIONS



D-LOK Ball Bearings DL NORMAL DUTY CYLINDRICAL UNITS

D-LOK

Type E Family

Specialty Tapered

S-2000

UNISPHERE II

| Series | Shaft Size | Weight lbs. | A | B | C | D* | L |
|--------|------------|-------------|--------|--------|---------|-------|---------|
| 205 | 7/8 | 1.4 | 1-7/16 | 27/32 | 1-11/64 | 3-1/8 | 2 |
| | 15/16 | 1.3 | | | | | |
| | 1 | 1.2 | | | | | |
| 206 | 1-1/8 | 2.1 | 1-9/16 | 15/16 | 1-11/32 | 3-1/2 | 2-7/32 |
| | 1-3/16 | 2.0 | | | | | |
| | 1-1/4 | 1.9 | | | | | |
| | 30mm | 6.5 | | | | | |
| 207 | 1-1/4 | 2.8 | 1-3/4 | 1-1/16 | 1-9/16 | 3-7/8 | 2-11/16 |
| | 1-3/8 | 2.6 | | | | | |
| | 1-7/16 | 2.5 | | | | | |

* +.000 -.002

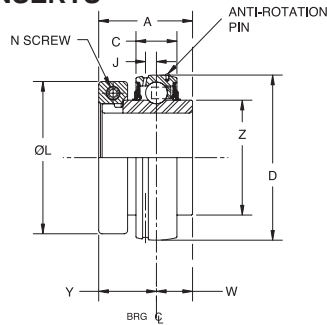
To prevent the housing from rotating in the machine frame, tap a hole on the joint between the housing O.D. and the machine frame bore and lock with a setscrew

| | | | |
|--------------------------------|---------------------------|-----------------------------------|--------------------------------|
| FEATURES/BENEFITS PAGE B5-2 | NOMENCLATURE PAGE B5-4 | SELECTION/DIMENSIONS PAGE B5-8 | RELATED PRODUCTS PAGE B5-67 |
|--------------------------------|---------------------------|-----------------------------------|--------------------------------|

SELECTION/DIMENSIONS



D-LOK Ball Bearings DL NORMAL DUTY BEARING INSERTS



| Series | Shaft Size | Standard Insert | | Corrosion Resistant Insert | |
|--------|-----------------------------------|-----------------|-------------------|----------------------------|-----------------------|
| | | Part No. | Description | Part No. | Description |
| 204 | 3/4 20mm | 128646 | INS-DL-012 | 126685 | INS-DL-012-CR |
| | | 126629 | <i>INS-DL-20M</i> | 126693 | <i>INS-DL-20M-CR</i> |
| 205 | 7/8 15/16 1 25mm | 128684 | INS-DL-014 | @ | INS-DL-014-CR* |
| | | 128647 | INS-DL-015 | @ | INS-DL-015-CR* |
| | | 128648 | INS-DL-100 | 126686 | INS-DL-100-CR |
| | | 126630 | <i>INS-DL-25M</i> | 126694 | <i>INS-DL-25M-CR</i> |
| 206 | 1-1/8 1-3/16 1-1/4 30mm | 128649 | INS-DL-102 | 059869 | INS-DL-102-CR* |
| | | 128650 | INS-DL-103 | 126687 | INS-DL-103-CR |
| | | 128651 | INS-DL-104S | 126688 | INS-DL-104S-CR |
| | | 126631 | <i>INS-DL-30M</i> | 126695 | <i>INS-DL-30M-CR</i> |
| 207 | 1-1/4 1-3/8 1-7/16 35mm | 128652 | INS-DL-104 | 126689 | INS-DL-104-CR |
| | | 128653 | INS-DL-106 | @ | INS-DL-106-CR* |
| | | 128654 | INS-DL-107 | 052093 | INS-DL-107-CR |
| | | 126632 | <i>INS-DL-35M</i> | 126696 | <i>INS-DL-35M-CR</i> |
| 208 | 1-1/2 40mm | 128655 | INS-DL-108 | 126690 | INS-DL-108-CR |
| | | 126633 | <i>INS-DL-40M</i> | 126697 | <i>INS-DL-40M-CR</i> |
| 209 | 1-5/8 1-11/16 1-3/4 45mm | 128656 | INS-DL-110L | @ | INS-DL-110L-CR* |
| | | 128657 | INS-DL-111 | 126691 | INS-DL-111-CR |
| | | 128658 | INS-DL-112 | @ | INS-DL-112-CR* |
| | | 126634 | <i>INS-DL-45M</i> | 126698 | <i>INS-DL-45M-CR</i> |
| 210 | 1-15/16 2 50mm | 128659 | INS-DL-115 | 126692 | INS-DL-115-CR |
| | | 128660 | INS-DL-200 | 053986 | INS-DL-200-CR* |
| | | 126635 | <i>INS-DL-50M</i> | 126699 | <i>INS-DL-50M-CR</i> |
| 211 | 2 2-3/16 55mm | 128661 | INS-DLM-200 | @ | INS-DLM-200-CR* |
| | | 128663 | INS-DL-203 | @ | INS-DL-203-CR* |
| | | 126636 | <i>INS-DL-55M</i> | @ | <i>INS-DL-55M-CR*</i> |
| 212 | 2-1/4 2-7/16 60mm | 128664 | INS-DLM-204 | @ | INS-DLM-204-CR* |
| | | 128666 | INS-DL-207 | @ | INS-DL-207-CR* |
| | | 126637 | <i>INS-DL-60M</i> | @ | <i>INS-DL-60M-CR*</i> |
| 214 | 2-1/2 2-11/16 70mm | 128677 | INS-DLM-208 | @ | INS-DLM-208-CR* |
| | | 128667 | INS-DL-211 | @ | INS-DL-211-CR* |
| | | 126638 | <i>INS-DL-70M</i> | @ | <i>INS-DL-70M-CR*</i> |
| 215 | 2-15/16 | @ | INS-DL-215 | @ | INS-DL-215-CR* |

@ Assembled to order

* 20 piece minimum order

| | | | |
|--------------------------------|---------------------------|-----------------------------------|--------------------------------|
| FEATURES/BENEFITS PAGE B5-2 | NOMENCLATURE PAGE B5-4 | SELECTION/DIMENSIONS PAGE B5-8 | RELATED PRODUCTS PAGE B5-67 |
|--------------------------------|---------------------------|-----------------------------------|--------------------------------|

SELECTION/DIMENSIONS



D-LOK Ball Bearings DL NORMAL DUTY BEARING INSERTS

| Series | Shaft Size | Weight lbs. kg | A | C | D | J | L | N Screw (UNF) | W | Y | Z |
|--------|------------|-------------------|---------|--------|--------|-------|---------|---------------|--------|---------|---------|
| 204 | 3/4 | 0.6 | 1-9/32 | 0.5906 | 1.8504 | 0.152 | 1-45/64 | No. 8 | 1/2 | 25/32 | 1-1/8 |
| | 20mm | 0.3 | 32.5 | 15.0 | 47.0 | 3.9 | 43.3 | M4 | 12.7 | 19.8 | 28.6 |
| 205 | 7/8 | 0.8 | 1-7/16 | 0.5906 | 2.0472 | 0.152 | 2 | No. 10 | 9/16 | 7/8 | 1-21/64 |
| | 15/16 | 0.8 | | | | | | | | | |
| | 1 | 0.8 | | | | | | | | | |
| | 25mm | 0.4 | 36.5 | 15.0 | 52.0 | 3.9 | 50.8 | M5 | 14.3 | 22.2 | 33.7 |
| 206 | 1-1/8 | 1.2 | 1-9/16 | 0.7087 | 2.4409 | 0.190 | 2-7/32 | No. 10 | 5/8 | 15/16 | 1-37/64 |
| | 1-3/16 | 1.2 | | | | | | | | | |
| | 1-1/4 | 1.1 | | | | | | | | | |
| | 30mm | 0.6 | 39.7 | 18.0 | 62.0 | 4.8 | 56.4 | M5 | 15.9 | 23.8 | 40.1 |
| 207 | 1-1/4 | 1.8 | 1-3/4 | 0.7480 | 2.8346 | 0.202 | 2-11/16 | 1/4 | 11/16 | 1-1/16 | 1-27/32 |
| | 1-3/8 | 1.8 | | | | | | | | | |
| | 1-7/16 | 1.7 | | | | | | | | | |
| | 35mm | 0.8 | 44.5 | 19.0 | 72.0 | 5.1 | 68.3 | M6 | 17.5 | 27.0 | 46.8 |
| 208 | 1-1/2 | 2.2 | 2 | 0.8661 | 3.1496 | 0.224 | 2-47/64 | 1/4 | 3/4 | 1-1/4 | 2-3/64 |
| | 40mm | 1.0 | 50.8 | 22.0 | 80.0 | 5.7 | 69.5 | M6 | 19.1 | 31.8 | 52.0 |
| 209 | 1-5/8 | 2.5 | 2 | 0.8661 | 3.3465 | 0.248 | 2-63/64 | 1/4 | 3/4 | 1-1/4 | 2-7/32 |
| | 1-11/16 | 2.5 | | | | | | | | | |
| | 1-3/4 | 2.5 | | | | | | | | | |
| | 45mm | 1.2 | 50.8 | 22.2 | 85.8 | 6.4 | 75.8 | M6 | 19.1 | 31.8 | 56.9 |
| 210 | 1-15/16 | 3.0 | 2-3/32 | 0.8661 | 3.5433 | 0.248 | 3-15/64 | 1/4 | 3/4 | 1-11/32 | 2-7/16 |
| | 2 | 3.0 | | | | | | | | | |
| | 50mm | 1.4 | 53.2 | 22.0 | 90.0 | 6.3 | 82.1 | M6 | 19.1 | 34.1 | 61.9 |
| 211 | 2 | 3.6 | 2-1/4 | 0.9449 | 3.9370 | 0.267 | 3-11/16 | 5/16 | 7/8 | 1-3/8 | 2-23/32 |
| | 2-3/16 | 3.4 | | | | | | | | | |
| | 55mm | 1.6 | 57.2 | 24.0 | 100.0 | 6.8 | 93.7 | M8 | 22.2 | 34.9 | 69.1 |
| 212 | 2-1/4 | 4.8 | 2-5/8 | 1.0240 | 4.3307 | 0.250 | 4-7/64 | 5/16 | 1 | 1-5/8 | 2-31/32 |
| | 2-7/16 | 4.8 | | | | | | | | | |
| | 60mm | 2.2 | 66.7 | 26.0 | 110.0 | 6.4 | 104.4 | M8 | 25.4 | 41.3 | 75.4 |
| 214 | 2-1/2 | 5.4 | 2-13/16 | 1.1020 | 4.9213 | 0.265 | 4-3/8 | 5/16 | 1-1/16 | 1-3/4 | 3-5/16 |
| | 2-11/16 | 5.0 | | | | | | | | | |
| | 70mm | 2.5 | 71.4 | 28.0 | 125.0 | 6.7 | 111.1 | M8 | 27.0 | 44.5 | 84.1 |
| 215 | 2-15/16 | 5.9 | 2-21/64 | 1.4200 | 5.1181 | 0.265 | 4-11/16 | 5/16 | 53/64 | 1-1/2 | 3-5/8 |

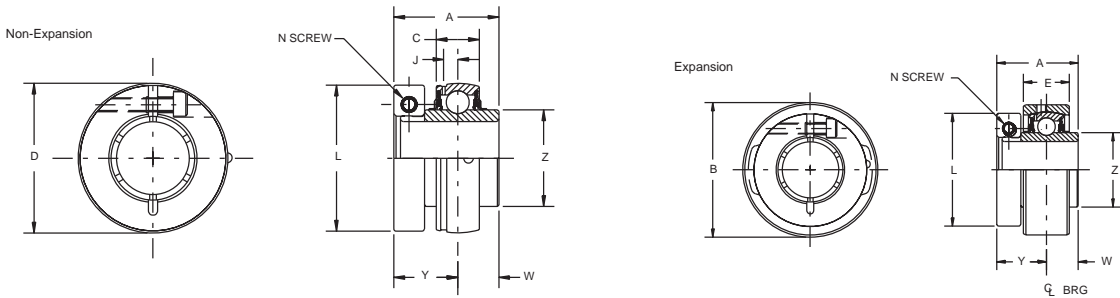
| | | | |
|--------------------------------|---------------------------|-----------------------------------|--------------------------------|
| FEATURES/BENEFITS PAGE B5-2 | NOMENCLATURE PAGE B5-4 | SELECTION/DIMENSIONS PAGE B5-8 | RELATED PRODUCTS PAGE B5-67 |
|--------------------------------|---------------------------|-----------------------------------|--------------------------------|

SELECTION/DIMENSIONS



D-LOK Ball Bearings

DLH & DLH-E NON-EXPANSION & EXPANSION NORMAL DUTY BEARINGS INSERTS



| Series | Shaft Size | Expansion Insert | | Non-Expansion Insert | |
|--------|------------|------------------|----------------|----------------------|--------------|
| | | Part No. | Description | Part No. | Description |
| 206 | 1 | @ | INS-DLMH-100-E | @ | INS-DLMH-100 |
| | 1-1/8 | @ | INS-DLH-102-E | @ | INS-DLH-102 |
| | 1-3/16 | 126485 | INS-DLH-103-E | 126480 | INS-DLH-103 |
| | 1-1/4 | @ | INS-DLH-104S-E | @ | INS-DLH-104S |
| 207 | 1-3/16 | @ | INS-DLMH-103-E | @ | INS-DLMH-103 |
| | 1-1/4 | @ | INS-DLH-104-E | @ | INS-DLH-104 |
| | 1-3/8 | @ | INS-DLH-106-E | @ | INS-DLH-106 |
| | 1-7/16 | 126486 | INS-DLH-107-E | 126481 | INS-DLH-107 |
| 210 | 1-11/16 | @ | INS-DLMH-111-E | @ | INS-DLMH-111 |
| | 1-3/4 | @ | INS-DLMH-112-E | @ | INS-DLMH-112 |
| | 1-15/16 | 126487 | INS-DLH-115-E | 126482 | INS-DLH-115 |
| | 2 | @ | INS-DLH-200-E | @ | INS-DLH-200 |
| 211 | 1-15/16 | @ | INS-DLMH-115-E | @ | INS-DLMH-115 |
| | 2 | @ | INS-DLMH-200-E | @ | INS-DLMH-200 |
| | 2-3/16 | 126488 | INS-DLH-203-E | 126483 | INS-DLH-203 |
| 212 | 2-3/16 | @ | INS-DLMH-203-E | @ | INS-DLMH-203 |
| | 2-1/4 | @ | INS-DLMH-204-E | @ | INS-DLMH-204 |
| | 2-7/16 | 126489 | INS-DLH-207-E | 126484 | INS-DLH-207 |

@ Assembled to order

| | | | |
|--------------------------------|---------------------------|-----------------------------------|--------------------------------|
| FEATURES/BENEFITS PAGE B5-2 | NOMENCLATURE PAGE B5-4 | SELECTION/DIMENSIONS PAGE B5-8 | RELATED PRODUCTS PAGE B5-67 |
|--------------------------------|---------------------------|-----------------------------------|--------------------------------|

SELECTION/DIMENSIONS



D-LOK Ball Bearings

DLH & DLH-E NON-EXPANSION & EXPANSION NORMAL DUTY BEARINGS INSERTS

D-LOK

Type E Family

Specialty Tapered

S-2000

UNISPHERE II

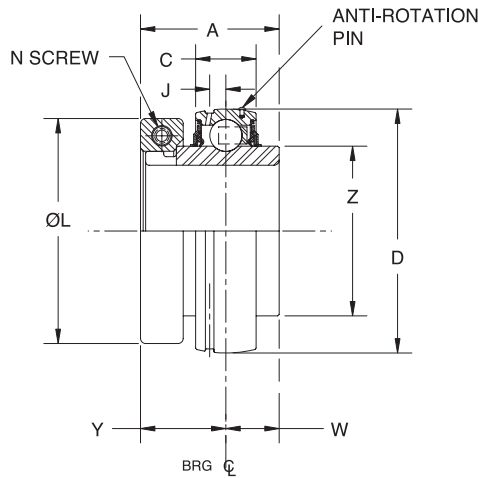
| Series | Shaft Size | Weight Expansion lbs. | Weight Non-Exp. lbs. | A | B | C | D | E | J | L | N Screw (UNF) | W | Y | Z |
|--------|------------------------------------|-----------------------|----------------------|--------|-------|--------|--------|---------|-------|---------|---------------|-------|---------|---------|
| 206 | 1 1-1/8 1-3/16 1-1/4 | 1.9 | 1.2 | 1-9/16 | 2.875 | 0.7087 | 2.4409 | 15/16 | 0.190 | 2-7/32 | No. 10 | 5/8 | 15/16 | 1-37/64 |
| 207 | 1-3/16 1-1/4 1-3/8 1-7/16 | 2.6 | 1.8 | 1-3/4 | 3.272 | 0.7480 | 2.8346 | 1 | 0.202 | 2-11/16 | 1/4 | 11/16 | 1-1/16 | 1-27/32 |
| 210 | 1-11/16 1-3/4 1-15/16 2 | 4.5 | 3.0 | 2-3/32 | 4.000 | 0.8661 | 3.5433 | 1-13/32 | 0.248 | 3-15/64 | 1/4 | 3/4 | 1-11/32 | 2-7/16 |
| 211 | 1-15/16 2 2-3/16 | 5.3 | 3.4 | 2-1/4 | 4.475 | 0.9449 | 3.9370 | 1-7/16 | 0.267 | 3-11/16 | 5/16 | 7/8 | 1-3/8 | 2-23/32 |
| 212 | 2-3/16 2-1/4 2-7/16 | 7.4 | 4.8 | 2-5/8 | 5.035 | 1.0240 | 4.3307 | 1-5/8 | 0.250 | 4-7/64 | 5/16 | 1 | 1-5/8 | 2-31/32 |

| | | | |
|--------------------------------|---------------------------|-----------------------------------|--------------------------------|
| FEATURES/BENEFITS PAGE B5-2 | NOMENCLATURE PAGE B5-4 | SELECTION/DIMENSIONS PAGE B5-8 | RELATED PRODUCTS PAGE B5-67 |
|--------------------------------|---------------------------|-----------------------------------|--------------------------------|

SELECTION/DIMENSIONS



D-LOK Ball Bearings DLM NORMAL DUTY BEARINGS INSERTS



| Series | Shaft Size | Standard Insert | |
|--------|------------|-----------------|-------------|
| | | Part No. | Description |
| 206 | 1 | 128668 | INS-DLM-100 |
| 207 | 1-3/16 | 128669 | INS-DLM-103 |
| | 1-1/4 | 128652 | INS-DL-104 |
| 208 | 1-7/16 | 128670 | INS-DLM-107 |
| | 1-1/2 * | 128665 | INS-DL-108 |
| | 35mm | 126644 | INS-DLM-35M |
| | | | |
| 209 | 1-1/2 | 128671 | INS-DLM-108 |
| | 1-5/8 | 128656 | INS-DL-110L |
| 210 | 1-11/16 | 128672 | INS-DLM-111 |
| | 1-3/4 | 128673 | INS-DLM-112 |
| 211 | 1-15/16 | 128674 | INS-DLM-115 |
| | 2 | 128661 | INS-DLM-200 |
| 212 | 2-3/16 | 128675 | INS-DLM-203 |
| | 2-1/4 | 128664 | INS-DLM-204 |
| 214 | 2-7/16 | 128676 | INS-DLM-207 |
| | 2-1/2 | 128677 | INS-DLM-208 |
| | 65mm | 126645 | INS-DLM-65M |
| | | | |
| 215 | 2.6875 | 065551 | INS-DLM-211 |
| 216 | 2-15/16 | @ | INS-DLM-215 |
| 218 | 3-7/16 | 064535 | INS-DLM-307 |

@ Assembled to order

* Piloted flange only

FEATURES/BENEFITS
PAGE B5-2

NOMENCLATURE
PAGE B5-4

SELECTION/DIMENSIONS
PAGE B5-8

RELATED PRODUCTS
PAGE B5-67

SELECTION/DIMENSIONS



D-LOK Ball Bearings DLM NORMAL DUTY BEARINGS INSERTS

D-LOK

Type E Family

Specialty Tapered

S-2000

UNISPHERE II

| Series | Shaft Size | Weight lbs. kg | A | C | D | J | L | N Screw (UNF) | W | Y | Z |
|--------|-------------------------|-------------------|------------------------|-----------------------|------------------------|---------------------|------------------------|-------------------|-----------------------|----------------------|-----------------------|
| 206 | 1 | 1.8 | 1-9/16 | 0.7087 | 2.4409 | 0.190 | 2-7/32 | No. 10 | 5/8 | 15/16 | 1-37/64 |
| 207 | 1-3/16 1-1/4 | 2.2 1.7 | 1-3/4 | 0.7480 | 2.8346 | 0.202 | 2-11/16 | 1/4 | 11/16 | 1-1/16 | 1-27/32 |
| 208 | 1-7/16 1-1/2 35mm | 2.5 2.2 1.0 | 2 <i>50.8</i> | 0.8661 <i>22.0</i> | 3.1496 <i>80.0</i> | 0.224 <i>5.7</i> | 2-47/64 <i>69.5</i> | 1/4 <i>M6</i> | 3/4 <i>19.1</i> | 1-1/4 <i>31.8</i> | 2-3/64 <i>52.0</i> |
| 209 | 1-1/2 1-5/8 | 3.0 2.5 | 2 | 0.8661 | 3.3465 | 0.248 | 2-63/64 | 1/4 | 3/4 | 1-1/4 | 2-7/32 |
| 210 | 1-11/16 1-3/4 | 3.0 3.0 | 2-3/32 | 0.8661 | 3.5433 | 0.248 | 3-15/64 | 1/4 | 3/4 | 1-11/32 | 2-7/16 |
| 211 | 1-15/16 2 | 3.4 3.3 | 2-1/4 | 0.9449 | 3.9370 | 0.267 | 3-11/16 | 5/16 | 7/8 | 1-3/8 | 2-23/32 |
| 212 | 2-3/16 2-1/4 | 4.9 4.8 | 2-5/8 | 1.0240 | 4.3307 | 0.250 | 4-7/64 | 5/16 | 1 | 1-5/8 | 2-31/32 |
| 214 | 2-7/16 2-1/2 65mm | 5.5 5.4 2.5 | 2-13/16 <i>71.4</i> | 1.1020 <i>28.0</i> | 4.9213 <i>125.0</i> | 0.265 <i>6.7</i> | 4-3/8 <i>111.1</i> | 5/16 <i>M8</i> | 1-1/16 <i>27.0</i> | 1-3/4 <i>44.5</i> | 3-5/16 <i>84.1</i> |
| 215 | 2-11/16 | 5.9 | 2-21/64 | 1.4200 | 5.1181 | 0.265 | 4-11/16 | 5/16 | 53/64 | 1-1/2 | 3-5/8 |
| 216 | 2-15/16 | 6.9 | 2-31/64 | 1.1420 | 5.5118 | 0.285 | 5 | 3/8 | 27/32 | 1-41/64 | 3-53/64 |
| 218 | 3-7/16 | 8.8 | 2-21/32 | 1.3400 | 6.2992 | 0.300 | 5-1/2 | 3/8 | 59/64 | 1-47/64 | 4-23/64 |

| | | | |
|--------------------------------|---------------------------|-----------------------------------|--------------------------------|
| FEATURES/BENEFITS PAGE B5-2 | NOMENCLATURE PAGE B5-4 | SELECTION/DIMENSIONS PAGE B5-8 | RELATED PRODUCTS PAGE B5-67 |
|--------------------------------|---------------------------|-----------------------------------|--------------------------------|

MODIFICATIONS/ ACCESSORIES



D-LOK Ball Bearings

LUBRICANTS

DODGE ball bearings are factory lubricated with a lithium complex based lubricant. For applications where extreme ambient temperatures or speeds are anticipated or environmental considerations require a different lubricant, DODGE has a variety of lubricants available. Special lubricant options usually require set-up charges and premiums.

SEALS

The PROGUARD PLUS seal is a highly effective positive contact land riding seal with flingers pressed on to each side of the inner ring offering added protection from high pressure wash down or extreme contamination. For high speeds or where seal drag would be an impediment, a labyrinth seal is available.

HIGH TEMPERATURE

DODGE high temperature bearings are designed to operate in temperatures from 225°F (108°C) to 400°F (205°C). The bearings have adjusted internal clearances, labyrinth seals, retainers, and lubricants to meet the temperature needs of the application. To insure proper replacement, the bearing is identified by a six digit part number etched on a stainless steel nameplate riveted to the housing. The part number identifies the specific feature of the bearing. High temperature bearings are factory assembled to order and are available at extra cost. Consult Dodge Engineering for application assistance at (864) 284-5700 or fax (864) 281-2317.

AIR HANDLING

Industrial fans and blowers generally operate at high speeds with bearing requirements of long life and quiet operation. Dodge stocks DL and DLM air handling pillow blocks that are specifically designed to meet the requirements of the Air Handling Industry. Other sizes and housing configurations can be supplied on a made/ assembled to order basis. These bearings are 100% inspected for quiet operation and are recommended for fan and blower operations.

COATINGS

For extra corrosion resistance, a variety of housings are available. Including stainless steel or polymer housed. These conform to U.S.D.A. and F.D.A. requirements. DL and DLM inserts can be supplied with a corrosion resistant finish to the inner and outer rings, stainless steel balls and set-screws, nickel plated flingers as well as F.D.A. lubricant.

OTHER MODIFICATIONS

For applications requiring modifications not listed, we encourage you to contact our Customer Order Engineering Department at (864) 284-5700 or fax (864) 281-2317.

DODGE Ball Bearing End Covers*

- Fits all styles of DODGE cast iron housed ball bearings: Pillow Blocks, 2 and 4 Bolt Flanges, and Take-Up bearings
- Injected molded, impact resistant, OSHA safety yellow end covers meet requirements for exposed rotating shafts
- Stainless steel "C" Washer for gripping power
- No modification or machining of existing housings required
- Concentric knockout grooves on inside of end cover for thru-shaft
- DODGE six digit part number and description embossed inside
- Operating temperature to 250°F
- For non relubricable/sealed for life applications (-NL), part number 430020 hex head plug is available

FEATURES/BENEFITS
PAGE B5-2

NOMENCLATURE
PAGE B5-4

SELECTION
PAGE B5-5

SELECTION/DIMENSIONS
PAGE B5-8

RELATED PRODUCTS

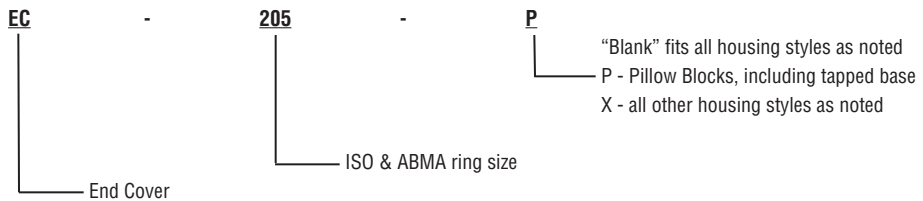


DODGE Ball Bearing End Covers*



- Fits all styles of DODGE cast iron housed ball bearings: Pillow Blocks, 2 and 4 Bolt Flanges, and Take-Up bearings
- Injected molded, impact resistant, OSHA safety yellow end covers meet requirements for exposed rotating shafts
- Stainless steel "C" Washer for gripping power
- No modification or machining of existing housings required
- Concentric knockout grooves on inside of end cover for thru-shaft
- DODGE six digit part number and description embossed inside
- Operating temperature to 250°F
- For non relubricable/sealed for life applications (-NL), part number 430020 hex head plug is available

Nomenclature



| Series | Pillow Blocks Std, U, B | Tapped Base PB | 2 Bolt Flange | Flanged Bracket | 4 Bolt Flange | Piloted Flange (FC) | Narrow Slot Take-Up | Wide Slot Take-Up |
|--------|-------------------------|----------------|---------------|-----------------|---------------|---------------------|---------------------|-------------------|
| 203 | X | | X | | X | | | |
| 204 | X | X | X | X | X | | X | X |
| 205 | X | X | X | X | X | | X | X |
| 206 | X | X | X | X | X | @ | X | X |
| 207 | X | X | X | X | X | @ | X | X |
| 208 | X | X | X | | X | @ | X | X |
| 209 | X | X | X | | X | @ | X | X |
| 210 | X | X | X | X | X | @ | X | X |
| 211 | X | X | X | | X | NA | X | X |
| 212 | X | | X | | X | NA | X | X |
| 214 | X | | | | X | NA | | X |
| 215 | X | | | | X | | | X |
| 216 | X | | | | X | X | | X |
| 218 | X | | | | X | X | | |

* = Will not fit LF, LFT, SCHB, HNGR & CLY

NA = Will not fit

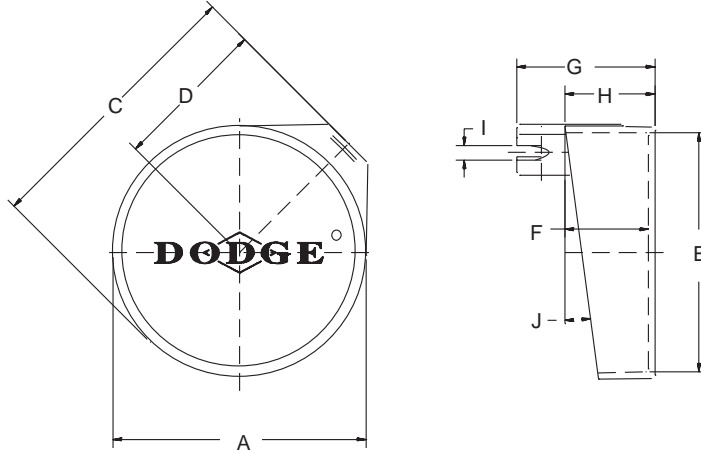
| | | | |
|--------------------------------|---------------------------|------------------------|-----------------------------------|
| FEATURES/BENEFITS PAGE B5-2 | NOMENCLATURE PAGE B5-4 | SELECTION PAGE B5-5 | SELECTION/DIMENSIONS PAGE B5-8 |
|--------------------------------|---------------------------|------------------------|-----------------------------------|

RELATED PRODUCTS



D-LOK Ball Bearings

BALL BEARING END COVERS FOR PILLOW BLOCKS & TAPPED BASE UNITS



| Series | Shaft Size* | | Part Number | Description |
|--------|------------------------|-------------------------|---------------|-------------|
| | DL | DLM, DLH | | |
| 203 | 1/2 & 5/8 17mm | ----- | 128200 | EC-203-P |
| 204 | 1/2 - 3/4 20mm | ----- | 128202 | EC-204-P |
| 205 | 7/8 - 1 25mm | ----- | 128204 | EC-205-P |
| 206 | 1-1/16 - 1-1/4 30mm | ----- 25mm | 128206 | EC-206-P |
| 207 | 1-1/4 - 1-7/16 35mm | 1-3/16 & 1-1/4 30mm | 128208 | EC-207-P |
| 208 | 1-1/2 - 1-5/8 40mm | 1-7/16 35mm | 128210 | EC-208-P |
| 209 | 1-5/8 - 1-3/4 45mm | 1-1/2 40mm | 128212 | EC-209-P |
| 210 | 1-15/16 & 2 50mm | 1-11/16 & 1-3/4 45mm | 128214 | EC-210-P |
| 211 | 2 - 2-1/4 55mm | 1-15/16 & 2 50mm | 128216 | EC-211-P |
| 212 | 2-1/4 - 2-7/16 60mm | 2-3/16 - 2-1/4 55mm | 128218 | EC-212-P |

* NOTE: DLH uses the next larger end cover. E.G. A P2B-DLH-103 would use a EC-207-P

D-LOK

Type E Family

Specialty Tapered

S-2000

UNISPHERE II

| | | | |
|--------------------------------|---------------------------|------------------------|-----------------------------------|
| FEATURES/BENEFITS PAGE B5-2 | NOMENCLATURE PAGE B5-4 | SELECTION PAGE B5-5 | SELECTION/DIMENSIONS PAGE B5-8 |
|--------------------------------|---------------------------|------------------------|-----------------------------------|

RELATED PRODUCTS



D-LOK Ball Bearings

BALL BEARING END COVERS FOR PILLOW BLOCKS & TAPPED BASE UNITS

D-LOK

Type E Family

Speciality Tapered

S-2000

UNISPHERE II

| Series | Shaft Size | | Weight lbs gm | A | C | D | E | F | G | H | I | J |
|--------|------------------------|-------------------------|---------------------|------------------|------------------|-----------------|------------------|-----------------|-----------------|-----------------|---------------|------|
| | DL | DLM, DLH | | | | | | | | | | |
| 203 | 1/2 & 5/8 17mm | ----- | .02 9 | 1-25/32 45.2 | 2-7/64 53.6 | 1-3/32 27.7 | 1-41/64 41.7 | 49/64 19.6 | 1-29/64 37.1 | 29/32 22.9 | 1/4 6.4 | 9 |
| 204 | 1/2 - 3/4 20mm | ----- | .03 14 | 2-3/64 52.0 | 2-37/64 65.3 | 1-19/64 33.0 | 1-55/64 47.2 | 1-1/64 25.7 | 1-49/64 45.0 | 1-5/32 29.5 | 5/16 7.9 | 11 |
| 205 | 7/8 - 1 25mm | ----- | .05 23 | 2-3/8 60.2 | 2-13/16 71.4 | 1-3/16 35.0 | 2-5/32 54.9 | 1-1/16 26.9 | 1-7/8 47.8 | 1-7/32 31.0 | 11/32 8.6 | 9 |
| 206 | 1-1/16 - 1-1/4 30mm | ----- 25mm | .07 34 | 2-47/64 69.3 | 3-21/64 84.3 | 1-45/64 43.2 | 2-1/2 63.5 | 1-15/64 31.5 | 2-5/32 54.9 | 1-13/32 35.6 | 23/64 8.9 | 9 |
| 207 | 1-1/4 - 1-7/16 35mm | 1-3/16 & 1-1/4 30mm | .11 48 | 3-1/4 82.6 | 3-51/64 96.3 | 1-29/32 48.5 | 3-1/64 76.7 | 1-5/16 33.3 | 2-11/32 59.4 | 1-31/64 37.6 | 3/8 9.4 | 7 30 |
| 208 | 1-1/2 - 1-5/8 40mm | 1-7/16 35mm | .13 61 | 3-3/8 85.9 | 4.0 101.6 | 2-1/16 52.3 | 3-7/64 79.0 | 1-19/64 33.0 | 2-13/32 61.0 | 1-1/2 38.1 | 27/64 10.7 | 6 |
| 209 | 1-5/8 - 1-3/4 45mm | 1-1/2 40mm | .15 69 | 3-11/16 93.7 | 4-17/64 108.2 | 2-11/64 55.1 | 3-13/32 86.6 | 1-21/64 33.8 | 2-21/64 59.2 | 1-17/32 38.9 | 25/64 9.9 | 7 |
| 210 | 1-15/16 & 2 50mm | 1-11/16 & 1-3/4 45mm | .17 78 | 3-7/8 98.6 | 4-1/2 114.3 | 2-19/32 59.2 | 3-37/64 90.9 | 1-23/64 34.3 | 2-1/2 63.5 | 1-9/16 39.6 | 31/64 12.5 | 9 |
| 211 | 2 - 2-1/4 55mm | 1-15/16 & 2 50mm | .22 102 | 4-27/64 112.3 | 5-1/16 128.5 | 2-19/32 66.0 | 4-1/8 104.7 | 1-13/32 35.8 | 2-37/64 65.3 | 1-5/8 41.2 | 29/64 11.4 | 7 |
| 212 | 2-1/4 - 2-7/16 60mm | 2-3/16 - 2-1/4 55mm | .26 118 | 4-59/64 125.0 | 5-29/64 138.7 | 2-3/4 69.9 | 4-39/64 117.1 | 1-17/32 38.9 | 2-11/16 68.3 | 1-3/4 44.5 | 13/32 10.4 | 8 |

For no re-lube (-NL) applications, part number **430020**, hex head plug is available

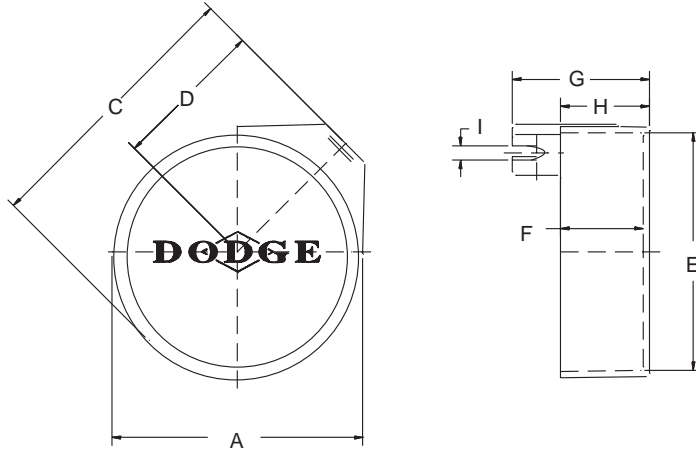
| | | | |
|--------------------------------|---------------------------|------------------------|-----------------------------------|
| FEATURES/BENEFITS PAGE B5-2 | NOMENCLATURE PAGE B5-4 | SELECTION PAGE B5-5 | SELECTION/DIMENSIONS PAGE B5-8 |
|--------------------------------|---------------------------|------------------------|-----------------------------------|

RELATED PRODUCTS



D-LOK Ball Bearings

BALL BEARING END COVERS FOR MOUNTED UNITS OTHER THAN PILLOW BLOCKS & TAPPED BASE UNITS



| Series | Shaft Size* | | Part Number | Description |
|--------|------------------------|-------------------------|---------------|-------------|
| | DL | DLM, DLH | | |
| 203 | 1/2 & 5/8 17mm | ----- | 128201 | EC-203-X |
| 204 | 1/2 - 3/4 20mm | ----- | 128203 | EC-204-X |
| 205 | 7/8 - 1 25mm | ----- | 128205 | EC-205-X |
| 206 | 1-1/16 - 1-1/4 30mm | ----- 25mm | 128207 | EC-206-X |
| 207 | 1-1/4 - 1-7/16 35mm | 1-3/16 & 1-1/4 30mm | 128209 | EC-207-X |
| 208 | 1-1/2 - 1-5/8 40mm | 1-7/16 35mm | 128211 | EC-208-X |
| 209 | 1-5/8 - 1-3/4 45mm | 1-1/2 40mm | 128213 | EC-209-X |
| 210 | 1-15/16 & 2 50mm | 1-11/16 & 1-3/4 45mm | 128215 | EC-210-X |
| 211 | 2 - 2-1/4 55mm | 1-15/16 & 2 50mm | 128217 | EC-211-X |
| 212 | 2-1/4 - 2-7/16 60mm | 2-3/16 - 2-1/4 55mm | 128219 | EC-212-X |

* NOTE: Above end covers will not fit the LF and LFT bearings

D-LOK

Type E Family

Specialty Tapered

S-2000

UNISPHERE II

| | | | |
|--------------------------------|---------------------------|------------------------|-----------------------------------|
| FEATURES/BENEFITS PAGE B5-2 | NOMENCLATURE PAGE B5-4 | SELECTION PAGE B5-5 | SELECTION/DIMENSIONS PAGE B5-8 |
|--------------------------------|---------------------------|------------------------|-----------------------------------|

RELATED PRODUCTS



D-LOK Ball Bearings

BALL BEARING END COVERS FOR MOUNTED UNITS OTHER THAN PILLOW BLOCKS & TAPPED BASE UNITS

| Series | Shaft Size | | Weight lbs <i>gm</i> | A | C | D | E | F | G | H | I |
|--------|------------------------|-------------------------|----------------------------|---------|---------|---------|---------|---------|---------|---------|-------|
| | DL | DLM, DLH | | | | | | | | | |
| 203 | 1/2 & 5/8 17mm | ----- | 0.02 | 1-51/64 | 2-13/64 | 1-3/16 | 1-41/64 | 51/64 | 1-29/64 | 15/16 | 1/4 |
| | | | 10 | 45.5 | 56.1 | 30.2 | 41.7 | 20.3 | 37.1 | 23.9 | 6.4 |
| 204 | 1/2 - 3/4 20mm | ----- | 0.03 | 2-7/32 | 2-47/64 | 1-25/64 | 2-1/32 | 1-1/64 | 1-13/16 | 1-5/32 | 5/16 |
| | | | 15 | 56.1 | 69.6 | 35.3 | 51.6 | 25.7 | 45.7 | 29.5 | 7.9 |
| 205 | 7/8 - 1 25mm | ----- | 0.05 | 2-3/8 | 3-3/64 | 1-19/32 | 2-5/32 | 1-1/64 | 1-53/64 | 1-11/64 | 11/32 |
| | | | 24 | 60.2 | 77.2 | 40.6 | 54.9 | 25.7 | 46.5 | 29.7 | 8.7 |
| 206 | 1-1/16 - 1-1/4 30mm | ----- 25mm | 0.08 | 2-47/64 | 3-21/64 | 1-45/64 | 2-1/2 | 1-3/16 | 2-1/16 | 1-23/64 | 23/64 |
| | | | 36 | 69.3 | 84.3 | 43.2 | 63.5 | 30.2 | 52.3 | 34.5 | 8.9 |
| 207 | 1-1/4 - 1-7/16 35mm | 1-3/16 & 1-1/4 30mm | 0.12 | 3-1/4 | 3-27/32 | 1-31/32 | 3-1/64 | 1-11/32 | 2-11/32 | 1-17/32 | 3/8 |
| | | | 53 | 82.6 | 97.5 | 50.0 | 76.7 | 34.5 | 59.4 | 38.9 | 9.4 |
| 208 | 1-1/2 - 1-5/8 40mm | 1-7/16 35mm | 0.14 | 3-3/8 | 4.0 | 2-1/16 | 3-7/64 | 1-19/64 | 2-13/32 | 1-1/2 | 27/64 |
| | | | 64 | 85.9 | 101.6 | 52.3 | 79.0 | 33.0 | 61.0 | 38.1 | 10.7 |
| 209 | 1-5/8 - 1-3/4 45mm | 1-1/2 40mm | 0.16 | 3-11/16 | 4-17/64 | 2-11/64 | 3-13/32 | 1-23/64 | 2-21/64 | 1-17/32 | 25/64 |
| | | | 73 | 93.7 | 108.2 | 55.1 | 86.6 | 34.3 | 59.2 | 38.9 | 9.9 |
| 210 | 1-15/16 & 2 50mm | 1-11/16 & 1-3/4 45mm | 0.18 | 3-7/8 | 4-1/2 | 2-21/64 | 3-9/16 | 1-23/64 | 2-33/64 | 1-9/16 | 31/64 |
| | | | 82 | 98.6 | 114.3 | 59.2 | 90.9 | 34.3 | 63.8 | 39.6 | 12.4 |
| 211 | 2 - 2-1/4 55mm | 1-15/16 & 2 50mm | 0.24 | 4-27/64 | 5-1/16 | 2-19/32 | 4-1/8 | 1-29/64 | 2-37/64 | 1-21/32 | 29/64 |
| | | | 108 | 112.3 | 128.5 | 66.0 | 104.7 | 36.8 | 65.3 | 42.2 | 11.4 |
| 212 | 2-1/4 - 2-7/16 60mm | 2-3/16 - 2-1/4 55mm | 0.27 | 4-59/64 | 5-15/32 | 2-3/4 | 4-39/64 | 1-35/64 | 2-11/16 | 1-3/4 | 13/32 |
| | | | 124 | 125.0 | 138.7 | 69.9 | 117.1 | 39.1 | 68.3 | 44.5 | 10.4 |

For no re-lube (_NL) applications, part number **430020**, hex head plug is available

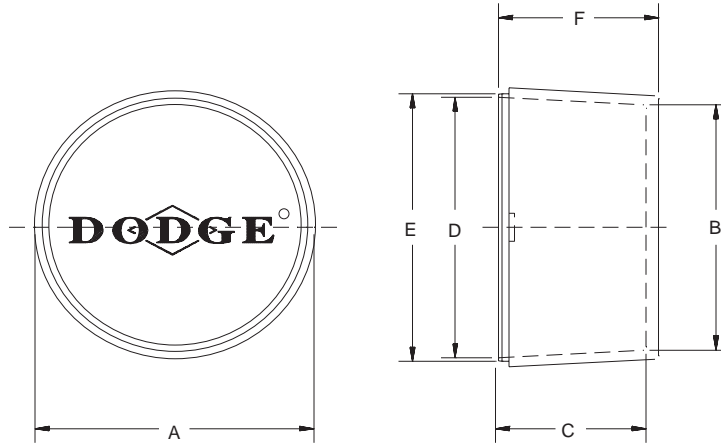
| | | | |
|--------------------------------|---------------------------|------------------------|-----------------------------------|
| FEATURES/BENEFITS PAGE B5-2 | NOMENCLATURE PAGE B5-4 | SELECTION PAGE B5-5 | SELECTION/DIMENSIONS PAGE B5-8 |
|--------------------------------|---------------------------|------------------------|-----------------------------------|

RELATED PRODUCTS



D-LOK Ball Bearings

BALL BEARING END COVERS FOR MOUNTED UNITS 214 SERIES & LARGER



| Series | Shaft Size | | Part Number | Description |
|--------|-------------------------|------------------------|---------------|-------------|
| | DL, DLH 70mm | DLM 65mm | | |
| 214 | 2-1/2 & 2-11/16 70mm | 2-7/16 & 2-1/2 65mm | 128220 | EC-214 |
| 215 | 2-15/16 75mm | 2-11/16 70mm | 128221 | EC-215 |
| 216 | ----- | 2-15/16 & 3 75mm | 128222 | EC-216 |
| 218 | ----- | 3-7/16 & 3-1/2 85mm | 128223 | EC-218 |

D-LOK

Type E Family

Specialty Tapered

S-2000

UNISPHERE II

| | | | |
|--------------------------------|---------------------------|------------------------|-----------------------------------|
| FEATURES/BENEFITS PAGE B5-2 | NOMENCLATURE PAGE B5-4 | SELECTION PAGE B5-5 | SELECTION/DIMENSIONS PAGE B5-8 |
|--------------------------------|---------------------------|------------------------|-----------------------------------|

RELATED PRODUCTS



D-LOK Ball Bearings

BALL BEARING END COVERS FOR MOUNTED UNITS 214 SERIES & LARGER

| Series | Shaft Size | | Weight lbs <i>gm</i> | A | B | C | D | E | F |
|--------|--------------------------------|-------------------------------|----------------------------|-------------------------|-------------------------|------------------------|-------------------------|-----------------------------------|------------------------|
| | DL, DLH | DLM | | | | | | | |
| 214 | 2-1/2 & 2-11/16 <i>70mm</i> | 2-7/16 & 2-1/2 <i>65mm</i> | 0.33 <i>151</i> | 4-15/16 <i>125.5</i> | 4-7/16 <i>112.8</i> | 2-39/64 <i>66.3</i> | 4-39/64 <i>117.1</i> | 4.741/4.737 <i>120.4/120.3</i> | 2-53/64 <i>71.9</i> |
| 215 | 2-15/16 <i>75mm</i> | 2-11/16 <i>70mm</i> | 0.36 <i>154</i> | 5-3/32 <i>129.3</i> | 4-49/64 <i>120.9</i> | 2-29/64 <i>62.5</i> | 4-3/4 <i>120.7</i> | 4.944/4.940 <i>125.6/125.5</i> | 2-7/8 <i>72.9</i> |
| 216 | ----- | 2-15/16 & 3 <i>75mm</i> | 0.44 <i>201</i> | 5-9/16 <i>141.2</i> | 5-15/64 <i>132.8</i> | 2-47/64 <i>69.6</i> | 5-13/64 <i>132.1</i> | 5.350/5.346 <i>135.9/135.8</i> | 2-63/64 <i>75.7</i> |
| 218 | ----- | 3-7/16 & 3-1/2 <i>85mm</i> | 0.57 <i>257</i> | 6-5/16 <i>130.3</i> | 5-29/32 <i>149.9</i> | 2-27/32 <i>72.1</i> | 5-15/16 <i>150.6</i> | 6.100/6.096 <i>154.9/154.8</i> | 3-3/32 <i>78.5</i> |

| | | | |
|--------------------------------|---------------------------|------------------------|-----------------------------------|
| FEATURES/BENEFITS PAGE B5-2 | NOMENCLATURE PAGE B5-4 | SELECTION PAGE B5-5 | SELECTION/DIMENSIONS PAGE B5-8 |
|--------------------------------|---------------------------|------------------------|-----------------------------------|

NOTES



D-LOK

Type E Family

Specialty Tapered

S-2000

UNISPHERE II

FEATURES/BENEFITS
PAGE B5-2

NOMENCLATURE
PAGE B5-4

SELECTION
PAGE B5-5

SELECTION/DIMENSIONS
PAGE B5-8

CONTENTS



Type E/DOUBLE-INTERLOCK®/Type K/TAF

| | |
|---|----------|
| Features / Benefits | |
| Type E | B6-3 |
| DOUBLE-INTERLOCK & Type K | B6-5 |
| TAF | B6-6 |
| Specifications | B6-8 |
| How to Order | B6-9 |
| Nomenclature | B6-10 |
| Selection (Inch) | B6-11 |
| Easy Selection Table | B6-15 |
| Engineering/Technical | B6-17 |
| Selection/Dimensions - Inch | |
| Type E | |
| Pillow Block | B6-22 |
| Flanges | B6-28 |
| Take-Ups | B6-30 |
| Type K | |
| Pillow Block | B6-34 |
| Flanges | B6-36 |
| Inner Units | B6-38 |
| Take-Ups | B6-40 |
| DOUBLE-INTERLOCK | |
| Pillow Block | B6-44 |
| Flanges | B6-48 |
| Inner Units | B6-50 |
| TAF | |
| Pillow Block | B6-52 |
| Inner Units | B6-56 |
| Modification/Accessories | |
| Type E End Closures and T-TECT Seals | B6-58 |
| Type K, DOUBLE-INTERLOCK and TAF End Closures and E-TECT Seals | B6-60 |
| Selection - TAF Smart Bearings | B6-61 |
| Selection/Dimensions - Metric | |
| Type E - Metric | B6-70 |
| DOUBLE-INTERLOCK - Metric | B6-72 |
| Part Number Index | INDEX-1 |
| Key Word Index | INDEX-34 |

D-LOK

Type E Family

Speciality Tapered

S-2000

UNISPHERE II

CONTENTS



D-LOK

Type E Family

Specialty Tapered

S-2000

UNISPHERE II

FEATURES/BENEFITS



Type E/DOUBLE-INTERLOCK/Type K/TAF

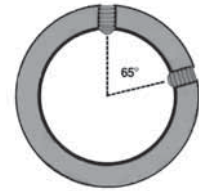
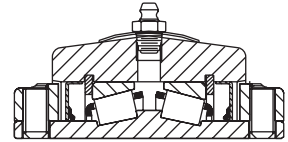
These four product lines have many common features and benefits that are shown on this page. Unique features for each product are shown on the following pages.

The common components used by all four lines include:

- Bearings
- Seals
- Locking collars
- Bore range

General Features:

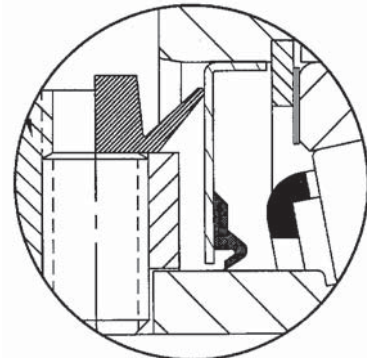
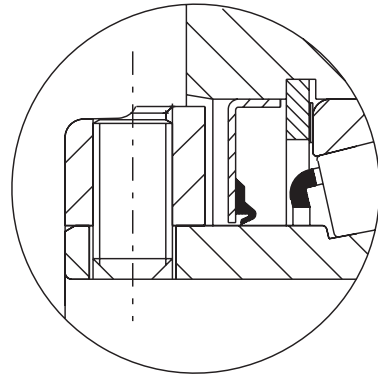
- Factory assembled, adjusted and prelubricated
- Case hardened rollers and races
- Easy installation and maintenance
- 65 degree set screw angle Springlok collar/ fingers - more holding power than 90 to 120 degree
- Single rubber lip contacting seals



Exclusive Sealing Designs And Features

Rolling Elements Never Exposed to Contaminants

- Exclusive "R" Seal features a combination metal shield and positive land riding contacting lip seal. Keeps contaminants out, lubricants in.
- E-TECT Seal option gives extra protection with a combination face rubbing seal in addition to the "R" Seal System (See page B6-58)
- TIMKEN™ tapered roller bearing inserts allow for combination radial and thrust loads.
- Lip design conform to cones. Permits grease to purge.
- Close fit oversized collars act as flingers for added protection in dusty or damp environments



FEATURES/BENEFITS



Type E

DODGE Type E One Bearing, One Seal For Dusty or Damp Environments



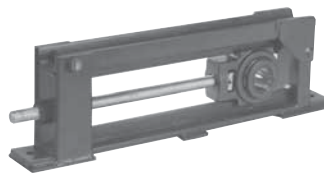
- “E” stands for economy
- Type E allows easy upgrade from ball bearings
- Interchangeable mounting dimensions with ball bearings
- Moderate price premium vs. ball bearings
- Steel housed pillow blocks available in selected sizes

The Original DODGE Type E Bearing, Only Better

- Provides added protection against contamination
- Completely assembled, factory adjusted and properly lubricated - **shaft ready**
- Stocked in all configurations
- Extra protection - E-TECT seal option
- Steel end covers available up to 3”, 75mm



Top Angle Take-Ups
1-3/4 to 4”
45 - 100 mm



Center Pull Frame With
Wide Slot Take-UP
1-3/8 to 3”
35 - 75 mm



Pillow Block
1-3/16 to 7”
35 - 180 mm



Piloted Flange
1-3/16 to 5”
35 - 125 mm



Flange
1-3/16 to 4-1/2”
35 - 115 mm

FEATURES/BENEFITS



Type K and DOUBLE-INTERLOCK

DODGE DOUBLE-INTERLOCK COMBINES DURABILITY WITH MOUNTING FLEXIBILITY

Heavy Duty Housing Construction Has Proven Performance

- Offers tapered roller bearing durability in a variety of mounting styles
- Extra protection E-TECT Seal Option
- Special clearances and greases available
- Self aligning
- Factory assembled, adjusted and lubricated - **shaft ready**
- End covers available up to 5"



Pillow Block
1-3/16 to 7"



Flanges
1-3/16 to 5"



S-1 Unit



B-1 Unit
1-3/16 up to 5"

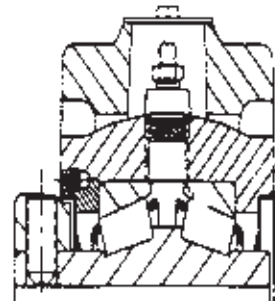


D Unit
1-3/16 up to 5"

DODGE TYPE K FITS WHERE COMPETITORS WON'T

Tapered Roller Bearings With Reduced Length Thru Bore

- Reduces length thru bore design in a variety of mounting styles
- Single collar design saves space and installation time
- Allows bearing to be closer to the load for reduced shaft design
- Self-aligning
- Factory assembled, adjusted and lubricated - shaft ready
- Same housing as DOUBLE-INTERLOCK
- End covers available up to 5"



Flange Expansion and
Non-Expansion
1-3/16 - 3-15/16



S-1 & B-1 Units
1-3/16 - 3-15/16"



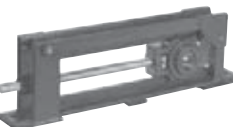
Wide Slot Take-Up
Frame
1-3/8 - 3"



Pillow Block
Expansion & Non-Expansion
1-3/16 - 3-15/16"



Top Angle Take-Ups
1-3/4 - 3-15/16"



FEATURES/BENEFITS

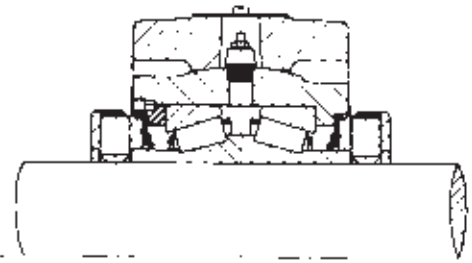


TAF

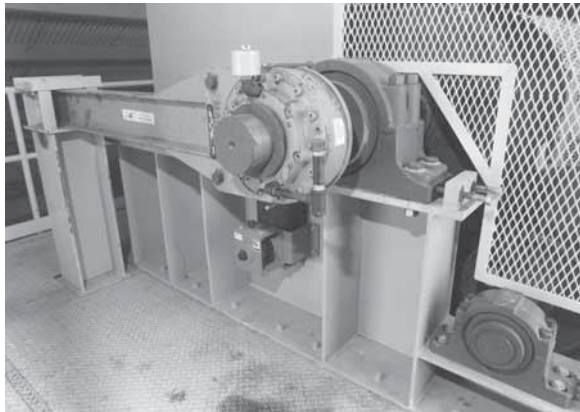
TAF IS A COST SAVING ALTERNATIVE TO SAF SPHERICAL BEARINGS

Mounts Fast, Stays Cleaner And Extends Service Life

- **Shaft ready** - mounts six times faster than SAF
- Interchangeable with SAF style pillow blocks
- Self-aligning, factory assembled, adjusted and lubricated
- Available in 1-7/16" up to 7" shaft diameters
- Equipped with expansion or non-expansion housing
- E-TECT seal option available up to 7"
- Optional Smart Housings accommodate speed, vibration and temperature sensor kits



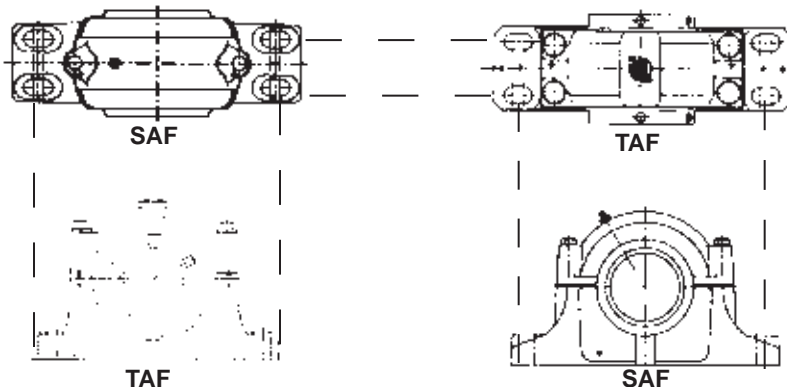
Self-aligning provided by spherically machined housing



SAF

Self-aligning provided by insert, limited by seal interference

TAF Is Interchangeable With SAF Mounting Dimensions



D-LOK

Type E Family

Specialty Tapered

S-2000

UNISPHERE II

FEATURES/BENEFITS



Type K/DOUBLE-INTERLOCK/TAF

DODGE BEARINGS SAVE YOU TIME AND MONEY

Compare These DODGE TAF, Type K & DOUBLE-INTERLOCK Bearing Advantages Against Standard SAF Pillow Blocks

Standard SAF

- Four prices
- Up to six packages
- Open bearing
- Feeler gauge required
- Grease required

DODGE TAF, Type K and DOUBLE-INTERLOCK

- One price
- Sealed bearing
- Factory adjusted
- Factory lubricated
- **Shaft ready**



Compare Standard SAF and DODGE Sealing Designs

Standard SAF

- Seals ride independently of bearing
- Less than 1° static misalignment
- Sealing effectiveness decreases as misalignment increases
- Seals distort when misalignment occurs



DODGE TAF, Type K and DOUBLE-INTERLOCK

- Inner unit carries seal
- Up to 5° static misalignment
- Seal and bearing ride together in inner unit
- Seals maintain contact on cones even with misalignment



D-LOK

Type E Family

Speciality Tapered

S-2000

UNISPHERE II



SPECIFICATION



Type E, Type K, DOUBLE-INTERLOCK and TAF

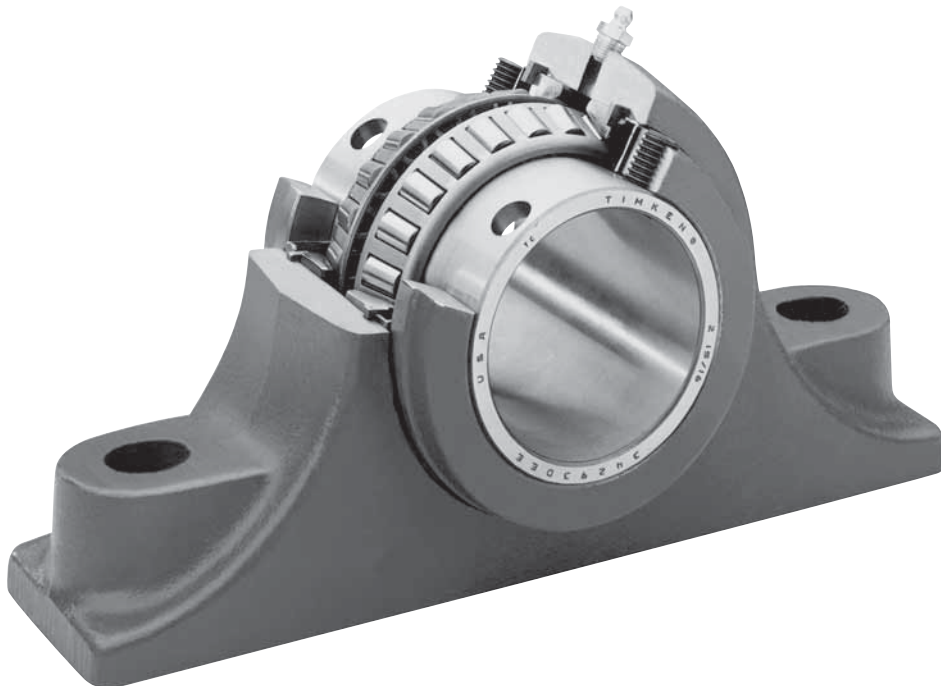
Type E, Type K, DOUBLE-INTERLOCK and TAF mounted bearings are all general purpose high capacity tapered roller bearings capable of handling any combination of radial and thrust load within the capacity of the bearing.

All of these bearings are mounted to the shaft by means of set screw collars having 65 degree set screw spacing for optimum clamping force. The Type E, DOUBLE-INTERLOCK, and TAF mounted bearings have locking collars at each end of their extended inner races. Type K has a single locking collar. The tapered roller bearings for these mounted bearings all have case carburized inner races (cones), outer races (cups), and rollers.

Bearings are preassembled, prelubricated and factory adjusted. They are normally equipped with land riding contact type seals with a metal deflector guard.

The standard housing material for most of these mounted bearings is ASTM A48 Class 30 Iron having a minimum tensile strength of 30,000 psi. The outer housing for the Type K and DOUBLE-INTERLOCK flange bearings thru 4", bore size utilize housings made of ductile iron (ASTM A536 Grade 65-45-12) with 65,000 psi tensile strength. Type E pillow blocks are also available with cast steel housing having a tensile strength of 70,000 psi for 2 bolt base thru 3-1/2" bore size and 4 bolt base from 3-15/16" thru 5" bore size on an assembled or order basis.

The Type K, DOUBLE-INTERLOCK pillow blocks and flange bearings plus the TAF pillow blocks all have split outer housings used with completely assembled, lubricated and adjusted inner units simplifying replacement of the bearing in the pillow block or flange bearing. All Type E mounted bearings, Type K take up units and all D units, S-1 units, and B-1 units have solid one piece housings.



D-LOK

Type E Family

Specialty Tapered

S-2000

UNISPHERE II

| | | | |
|--------------------------------|---------------------------|------------------------|-----------------------------------|
| FEATURES/BENEFITS PAGE B6-2 | NOMENCLATURE PAGE B6-4 | SELECTION PAGE B6-5 | SELECTION/DIMENSIONS PAGE B6-8 |
|--------------------------------|---------------------------|------------------------|-----------------------------------|

HOW TO ORDER



Type E, Type K, DOUBLE-INTERLOCK and TAF

There are two ways to specify DODGE Bearings. Most of the product offering have part numbers with listings shown throughout this catalog. Use of part numbers ensures accurate order processing.

When part numbers are not shown, the product may be specified by description or part name. This method is used when ordering units that include modifications or options. To order by description, use the nomenclature key shown on page and add any special instructions to the end of the description for options not covered by the nomenclature.

SPECIAL BEARING REQUIREMENTS AND SPECIAL LUBRICANTS

DODGE Bearings are factory adjusted and pre-lubricated. For applications where extreme ambient temperatures, high speeds or high loads are expected, a variety of specialty lubricants and adjustments are available. Standard grease provided is Mobilith AW 2 up to 5", 125mm bore. Above 5" bore Mobil Mobilux #2EP is standard. High

temperature greases available include Mobil HTS #2 and Mobilith SHC460. Other special lubricants are available upon request. Special lubricant options usually involve set-up charges and premiums. To order, specify type of lubricant required at the end of the product name or after the standard part number.

Example:

F4B-E-207 except with Mobil Grease HTS #2 grease and 012 to .015 lateral end play

or

023106 except with Mobil Grease HTS #2 grease and 012 to .015 lateral end play

OTHER SPECIAL REQUIREMENTS NOT LISTED

For applications requiring modifications not listed, we encourage you to contact our Application Engineering Department for Bearings at 864-284-5700.

D-LOK

Type E Family

Specialty Tapered

S-2000

UNISPHERE II

| | | | |
|--------------------------------|---------------------------|------------------------|-----------------------------------|
| FEATURES/BENEFITS PAGE B6-2 | NOMENCLATURE PAGE B6-4 | SELECTION PAGE B6-5 | SELECTION/DIMENSIONS PAGE B6-8 |
|--------------------------------|---------------------------|------------------------|-----------------------------------|

NOMENCLATURE



Type E, Type K, DOUBLE-INTERLOCK and TAF

P2B - 515-TAF - 207 - RE

HOUSING STYLE OPTION

P2B = Pillow Block
2-Bolt, Cast Iron

P4B = Pillow Block
4-Bolt, Cast Iron

SP2B - Pillow Block
2-Bolt, Cast Steel

SP4B = Pillow Block
4-Bolt, Cast Steel

F4B = Flange Bearing
4-Bolt, Cast Iron

FC = Piloted Flange
Bearing (Flanged
Cartridge)

B1U = B1 Unit, Cast Iron

DU = D Unit, Cast Iron

S1U = S-1, Unit, Cast Iron

WSTU = Wide Slot Take-Up
Bearing, Cast Iron

TP = Top Angle Take-Up Bearing
Cast Iron

H2S = Pillow Block Housing Only
2-Bolt, Cast Iron

H4S = Pillow Block Housing
4-Bolt, Cast Iron

BEARING TYPE OPTIONS

E = Type E

K = Type K

DI = DOUBLE-INTERLOCK

TAF = TAF

5XX = Housing Series
(TAF Only)

SIZE

INCHES & 16TH
2 = 2 Inches

07 = 7/16 Inches
Or

207 = 2-7/16"

METRIC
060M = 60
Millimeters

OTHER OPTIONS

R = Land Riding Rubbing
Seal

E = Expansion Type Bearing.

Note: If E Does Not Appear After Seal Type,
Then Bearing Is Non-Expansion Type

D-LOK

Type E Family

Specialty Tapered

S-2000

UNISPHERE II

FEATURES/BENEFITS
PAGE B6-2

NOMENCLATURE
PAGE B6-4

SELECTION
PAGE B6-5

SELECTION/DIMENSIONS
PAGE B6-8

SELECTION



Type E, Type K, DOUBLE-INTERLOCK and TAF Tapered Roller Bearings

DODGE Type E, K, DI and TAF Double Row Tapered Roller Bearings have the capacity to carry heavy radial loads and combined radial and thrust loads. The maximum recommended load which can be applied is limited by various components in the system such as bearing, housing, shaft, shaft attachment, speed and life requirements as listed in this catalog. DODGE tapered roller bearings have been applied successfully even when these limits have been exceeded under controlled operating conditions. Contact DODGE Application Engineering (864) 297-4800 for applications which exceed the recommendations of this catalog.

L₁₀ Hours Life --- The life which may be expected from at least 90% of a given group of bearings operating under identical conditions.

$$L_{10} = \left(\frac{C_{90}}{P} \right)^{10/3} \times \frac{1,500,000}{\text{RPM}}$$

Where: C_{90} = Dynamic Capacity (Table 1, pg. B6-14), lbs.

P = Equivalent Radial Load, lbs.

GENERAL

Heavy Service --- For heavy shock loads, frequent shock loads, or severe vibrations, add up to 50% (according to severity of conditions) to the Equivalent Radial Load. Consult DODGE Application Engineering for additional selection assistance.

Thrust load values shown in the table below are recommended as a guide for general applications that will give adequate L₁₀ life for pillow blocks. The maximum thrust load should not exceed values shown on Table 3. Where substantial radial load is also present, it is advisable to calculate actual L₁₀ life to assure that it meets the requirements. The effectiveness of the shaft attachment to carry thrust load depends

on proper tightening of the setscrews, shaft tolerance and shaft deflections. Therefore, it is advisable to use auxiliary thrust carrying devices such as shaft shoulder, snap ring or a thrust collar to locate the bearing under thrust loads heavier than shown below, or where extreme reliability is desired.

| RPM RANGE | | 20-200 | 201 - 2000 | Over 2000 |
|-------------------------|------------|--------------------|--------------------|---------------------|
| RECOMMENDED THRUST LOAD | E, DI, TAF | C ₉₀ /4 | C ₉₀ /8 | C ₉₀ /12 |
| | K | C ₉₀ /5 | C ₉₀ /8 | C ₉₀ /12 |

The shaft tolerances recommended below are adequate for normal radial and radial/thrust load applications. The radial load is limited by the attachment to the shaft (see Table 1). Where the applied radial load (F_r) exceeds this limit (maximum allowable slip fit radial load), a snug-to-light press fit of the shaft is required. Since the allowable load, especially at a low speed, is very large, the shaft should be checked to assure adequate shaft strength.

The magnitude and direction of both the thrust and radial load must be taken into account when selecting a housing. **When pillow blocks are utilized, heavy loads should be directed through the base. Where uplift loads are involved, see Tables 6, 7, and, pg. B6-19 for maximum values.** Where a load pulls the housing away from the mounting base, both the hold-down bolts and housing must be of adequate strength. Auxiliary load carrying devices such as shear bars are advisable for side or end loading of pillow blocks and radial load for flange units.

| SHAFT SIZE | TOLERANCE, INCHES |
|--------------|-------------------|
| UP TO 1-1/2" | + .0000 - .0005" |
| 1-5/8 TO 4" | + .000 - .001" |
| 4-7/16 TO 6" | + .000 - .0015" |
| 6-7/16 - 8" | + .000 - .002" |

NOTE: The L₁₀ life calculated using the above formula is subject to life adjustment factors in accordance with ABMA standards described on page B16-9.

| | | | |
|--------------------------------|---------------------------|------------------------|-----------------------------------|
| FEATURES/BENEFITS PAGE B6-2 | NOMENCLATURE PAGE B6-4 | SELECTION PAGE B6-5 | SELECTION/DIMENSIONS PAGE B6-8 |
|--------------------------------|---------------------------|------------------------|-----------------------------------|



SELECTION



Type E, Type K, DOUBLE-INTERLOCK and TAF Tapered Roller Bearings

SELECTING BEARINGS SUPPORTING RADIAL LOADS ONLY

1. Define L_{10} Life Hours desired.
2. Establish bearing radial load, F_R ($F_R = P$ for Pure Radial Load Conditions). The DODGE program BEST™* can be used to find application loads.
3. Establish RPM.

Using the easy selection Table 2, pg B6-15 find, under the RPM column, the equivalent radial load that equals or is higher than the application radial load for the desired life. The shaft size on the far left will be the minimum shaft size that you can use for your application. If the desired life is different than the values shown on the chart, use alternate Method A shown below.

- Example:
1. L_{10} Life = 30,000 Hours
 2. Radial load = 3800 lbs.
 3. RPM = 1,000

At the intersection of the 1,000 RPM column and the 30,000 hours L_{10} life row, the equivalent radial load of 3910 lbs. exceeds the 3800 lbs. radial load for shaft sizes 2-11/16 - 3". A bearing with bore ranging from 2-11/16" to 3" may be used for this application.

ALTERNATE METHOD A --- SELECTING A BEARING FOR AN L10 LIFE VALUE NOT SHOWN IN THE EASY SELECTION CHART.

The L_{10} life equation can be rearranged so that the bearing dynamic capacity C_{90} is identified in terms of L_{10} , RPM and P.

$$C_{90} = \left(\frac{L_{10} \times \text{RPM}}{1,500,000} \right)^{0.3} \times P$$

($P = F_R$ for Pure Radial Load Conditions)

Since the L_{10} , RPM, and P are known, solve for C_{90} . Select from the dynamic capacity column on Table 1, pg B6-14. The C_{90} value equal to or greater than the

C_{90} value just calculated. The bore size on the far left represents the bore size selection. Check that the application RPM does not exceed the MAX. RPM on Table 1. Also check that the radial load does not exceed the Maximum Allowable Slip Fit Radial Load shown on Table 1. If it does, a line to line to light press fit of shaft is required. When selecting an L_{10} life of less than 30,000 hours, particular attention must be paid to shaft deflection and proper lubricant selection.

SELECTING BEARINGS SUPPORTING COMBINATION RADIAL AND THRUST LOADS

When a bearing supports both a radial load and a thrust load, the loading on the two rows is shared unequally depending on the ratio of thrust to radial load. The use of the X (radial factor) and Y (thrust factor) from Table 1 converts the applied thrust load and radial loads to an equivalent radial load having the same effect on the life of the bearing as a radial load of this magnitude.

The equivalent radial load $P = XF_R + YF_A$

Where: P= Equivalent radial load, lbs.

F_R = Radial load, lbs. (see Table 1 for allowable slip fit maximum)

F_A = Thrust (axial) load, lbs.

e = Thrust load to radial load factor (Table 1)

X = Radial load factor (Table 1)

Y= Thrust load factor (Table 1)

To find X and Y, calculate F_A/F_R and compare to e for the selected bore size. Determine X and Y from Table 1, pg. B6-14 depending on whether F_A/F_R is equal to or less than e , or F_A/F_R is greater than e . Substitute all known values into the equivalent radial load equation. P (equivalent radial load) can be used in the life formula to determine L_{10} , or it can be compared to the allowable equivalent radial load ratings for the speed and hours life desired in the easy selection Table 2, pg B6-15.

*The DODGE Bearing Evaluation and Selection Technique (BEST) is a menu driven computer program that calculates bearing loads, fatigue life and operating temperature for a two bearing shaft system based on user supplied input parameters. This interactive program is available at www.ptwizard.com under the Product Selection area.

| | | | |
|--------------------------------|---------------------------|------------------------|-----------------------------------|
| FEATURES/BENEFITS PAGE B6-2 | NOMENCLATURE PAGE B6-4 | SELECTION PAGE B6-5 | SELECTION/DIMENSIONS PAGE B6-8 |
|--------------------------------|---------------------------|------------------------|-----------------------------------|



Type E, Type K, DOUBLE-INTERLOCK and TAF

SELECTING BEARINGS SUPPORTING ONLY THRUST LOADS

Tapered Roller Bearings perform extremely well under pure thrust load applications. Use $P = YFA$ for the equivalent radial load. The value of Y is obtained from Table 1, pg. B6-14 for $FA/FR > e$. Substitute Y and FA into the equivalent load equation. P (equivalent radial load) can be used in the life formula to determine L10 or it can be compared to the allowable equivalent radial load ratings for the speed and hours life desired in the easy selection Table 2, pg. B6-15.

LUBRICATION

DODGE E, K, DI, and TAF tapered roller bearings up to 5" bore are lubricated at the factory with MOBILITH AW 2 grease. Above 5" bore they are lubricated with Mobil Mobilux #2EP. Mobilith AW 2 is a superior

industrial grease using a lithium complex thickener and a highly refined base oil. Mobil Mobilux #2EP grease is a superior industrial grease using a lithium hydroxystearate thickener and highly refined base oil. These greases will adequately handle low and medium speeds with low and medium loads at normal temperatures as defined on Table 5, pg. B6-18. For very low and high speeds, for heavy loads and for low and high temperatures, special greases must be used. Contact DODGE Application Engineering (864) 297-4800. DODGE engineers will recommend bearings and lubricants for the above unusual conditions. DODGE also has the expertise to custom design and build special bearings for your needs. The only maintenance requirement for DODGE Tapered Roller Bearings is periodic relubrication at regular intervals as outlined in the appropriate instruction manuals.

RELUBRICATION SCHEDULE

| Hours Run per Day | SUGGESTED LUBRICATION PERIOD IN WEEKS | | | | | | | |
|-------------------|---------------------------------------|---------|---------|----------|----------|----------|----------|----------|
| | 1 to 250 | 251 to | 501 to | 751 to | 1001 to | 1501 to | 2001 to | 2501 to |
| | RPM | 500 RPM | 750 RPM | 1000 RPM | 1500 RPM | 2000 RPM | 2500 RPM | 3000 RPM |
| 8 | 12 | 12 | 10 | 7 | 5 | 4 | 3 | 2 |
| 16 | 12 | 7 | 5 | 4 | 2 | 2 | 2 | 1 |
| 24 | 10 | 5 | 3 | 2 | 1 | 1 | 1 | 1 |

High Speed Operation --- In the higher speed ranges too much grease will cause overheating. The amount of grease that the bearing will take for particular high speed application can only be determined by experience --- see "Operating Temperature" below. If excess grease in the bearing caused overheating, it will be necessary to remove grease fitting (also drain plug when furnished) to permit excess grease to escape. When establishing a relubrication schedule, note that a small amount of grease at frequent intervals is preferable to a large amount at infrequent intervals.

Operation in Presence of Dust, Water or Corrosive Vapors --- Under these conditions the bearing should contain as much grease as speed will permit, since a full bearing with consequent slight leakage is the best protection against entrance of foreign material. In the higher speed ranges too much grease will cause overheating --- see "High Speed Operation". In the lower speed ranges, it is advisable to add extra grease to a new bearing before putting into operation. Bearings

should be greased as often as necessary (daily if required) to maintain a slight leakage at the seals.

INSTALLATION AND MAINTENANCE

In nearly all applications good design practice requires two bearings supporting the shaft. In cases where three or more bearings are installed, unless precautions are taken to line the bearings up, both vertically and horizontally, it is possible to induce heavy loads. In the case of two bearings, alignment is not as critical, especially with DODGE K, DI, and TAF Tapered Roller Bearings. K, DI, and TAF bearings are designed to allow as much as 2° to 7° of static misalignment depending on bore size. To ensure good alignment, mounting surfaces must be checked for flatness and must lie in the same plane. When tightening base bolts and cap bolts, each bolt should be alternately tightened in incremental torque values until full torque is achieved to prevent the angular shifting of the pillow block that occurs when one bolt is tightened to its full torque. Shimming may be required to minimize misalignment..

| | | | |
|--------------------------------|---------------------------|------------------------|-----------------------------------|
| FEATURES/BENEFITS PAGE B6-2 | NOMENCLATURE PAGE B6-4 | SELECTION PAGE B6-5 | SELECTION/DIMENSIONS PAGE B6-8 |
|--------------------------------|---------------------------|------------------------|-----------------------------------|

SELECTION



Type E, Type K, DOUBLE-INTERLOCK and TAF

TABLE 1 - E, K, DI, AND TAF TAPERED ROLLER BEARING RADIAL AND THRUST FACTORS

| SHAFT SIZE | e | FA/FR<e | | FA/FR>e | | DYNAMIC CAPACITY C90 | STATIC CAPACITY C0 | MAXIMUM RPM | MAXIMUM RPM | MAXIMUM ALLOWABLE SLIP FIT RADIAL LOAD, FR **, LBS | |
|------------------------------------|------|---------|------|---------|------|----------------------|--------------------|-------------|-------------|--|--------|
| | | X | Y | X | Y | LBS. | LBS. | R-SEAL | E-TECT | E,DI,&TAF | K |
| 1-3/16 1-1/4 | 0.49 | 0.87 | 1.77 | 0.70 | 2.14 | 2,980 | 15,760 | 4,490 | 3,100 | 3,100 | 2,100 |
| 1-3/8 1-7/16 | 0.46 | 0.87 | 1.89 | 0.70 | 2.28 | 4,760 | 26,000 | 3,820 | 2,675 | 5,000 | 3,300 |
| 1-1/2 1-5/8 1-11/16 | 0.44 | 0.87 | 1.96 | 0.70 | 2.37 | 6,140 | 33,000 | 3,320 | 2,325 | 6,400 | 4,300 |
| 1-3/4 1-7/8 1-15/16 2 | 0.33 | 0.87 | 2.64 | 0.70 | 3.18 | 8,070 | 43,000 | 3,050 | 2,135 | 8,400 | 5,600 |
| 2-3/16 | 0.36 | 0.87 | 2.38 | 0.70 | 2.87 | 8,550 | 48,200 | 2,730 | 1,900 | 8,900 | 5,900 |
| 2-1/4 2-7/16 2-1/2 | 0.40 | 0.87 | 2.17 | 0.70 | 2.63 | 9,090 | 54,000 | 2,420 | 1,700 | 9,500 | 6,300 |
| 2-11/16 2-3/4 2-15/16 3 | 0.46 | 0.87 | 1.87 | 0.70 | 2.26 | 9,600 | 61,200 | 2,060 | 1,440 | 10,000 | 6,700 |
| 3-3/16 3-1/4 3-7/16 3-1/2 | 0.50 | 0.87 | 1.71 | 0.70 | 2.07 | 15,300 | 108,600 | 1,640 | 1,145 | 16,000 | 10,500 |
| 3-15/16 4 | 0.49 | 0.87 | 1.77 | 0.70 | 2.14 | 21,000 | 154,000 | 1,530 | 1,070 | 22,000 | 14,600 |
| 4-7/16 4-1/2 | 0.53 | 0.87 | 1.63 | 0.70 | 1.97 | 25,800 | 188,400 | 1,360 | 950 | 27,000 | ---- |
| 4-15/16 5 | 0.47 | 0.87 | 1.83 | 0.70 | 2.21 | 35,500 | 266,000 | 1,200 | 840 | 35,000 | ---- |
| 5-7/16 5-15/16 6 | 0.49 | 0.87 | 1.76 | 0.70 | 2.12 | 40,700 | 354,000 | 915 | 640 | 42,400 | ---- |
| 6-7/16 6-1/2 6-15/16 7 | 0.54 | 0.87 | 1.61 | 0.70 | 1.95 | 69,200 | 574,000 | 790 | 550 | 72,000 | ---- |

Comparing Spherical To Taper Roller Bearings: The dynamic capacity C (spherical) and C90 (taper) are not to the same base. To compare basic dynamic capacities, multiply C x .259 and compare to C90.

*C90 - Dynamic capacity based on a rated life of 90 million revolutions or 3000 hours at 500 RPM.

** If load exceeds maximum allowable slip fit radial load, (FR), line-to-line, to light press fit of shaft required. Application up to maximum slip fit radial load may be applied if recommended shaft tolerances are used.

| | | | |
|--------------------------------|---------------------------|------------------------|-----------------------------------|
| FEATURES/BENEFITS PAGE B6-2 | NOMENCLATURE PAGE B6-4 | SELECTION PAGE B6-5 | SELECTION/DIMENSIONS PAGE B6-8 |
|--------------------------------|---------------------------|------------------------|-----------------------------------|



Type E, Type K, DOUBLE-INTERLOCK and TAF

TABLE 2 - EASY SELECTION TABLE TYPE E, K, DI AND TAF

| Shaft Size | L10 Hours Life | Allowable Equivalent Radial Load (Lbs.) at various Revolutions Per Minute | | | | | | | | | | | | | | | | | | |
|----------------------------------|----------------|---|--------|-------|-------|-------|-------|-------|-------|-------|-------|-------|-------|-------|-------|-------|-------|-------|-------|-------|
| | | 50 | 100 | 150 | 250 | 500 | 790 | 915 | 1,200 | 1,360 | 1,530 | 1,640 | 1,750 | 2,060 | 2,420 | 2,730 | 3,050 | 3,320 | 3,820 | 4,490 |
| 1-3/16 1-1/4 | 10,000 | 4,143 | 3,365 | 2,980 | 2,557 | 2,077 | 1,810 | 1,732 | 1,597 | 1,538 | 1,485 | 1,454 | 1,426 | 1,358 | 1,294 | 1,248 | 1,207 | 1,177 | 1,128 | 1,075 |
| | 30,000 | 2,980 | 2,421 | 2,143 | 1,839 | 1,494 | 1,302 | 1,246 | 1,149 | 1,106 | 1,068 | 1,046 | 1,026 | 977 | 931 | 898 | 868 | 846 | 811 | 773 |
| | 40,000 | 2,734 | 2,220 | 1,966 | 1,687 | 1,370 | 1,194 | 1,143 | 1,054 | 1,015 | 980 | 959 | 941 | 896 | 854 | 823 | 796 | 776 | 744 | 709 |
| | 60,000 | 2,421 | 1,966 | 1,741 | 1,494 | 1,213 | 1,058 | 1,012 | 933 | 899 | 867 | 849 | 833 | 793 | 756 | 729 | 705 | 687 | 659 | 628 |
| | 100,000 | 2,077 | 1,687 | 1,494 | 1,281 | 1,041 | 907 | 868 | 800 | 771 | 744 | 729 | 715 | 681 | 648 | 625 | 605 | 590 | 565 | 539 |
| 1-3/8 1-7/16 | 10,000 | 6,618 | 5,376 | 4,760 | 4,084 | 3,317 | 2,892 | 2,767 | 2,551 | 2,457 | 2,372 | 2,323 | 2,278 | 2,169 | 2,067 | 1,993 | 1,928 | 1,880 | 1,802 | |
| | 30,000 | 4,760 | 3,866 | 3,424 | 2,937 | 2,386 | 2,080 | 1,990 | 1,835 | 1,767 | 1,706 | 1,670 | 1,638 | 1,560 | 1,486 | 1,434 | 1,387 | 1,352 | 1,296 | |
| | 40,000 | 4,366 | 3,547 | 3,140 | 2,694 | 2,188 | 1,908 | 1,826 | 1,683 | 1,621 | 1,565 | 1,532 | 1,503 | 1,431 | 1,364 | 1,315 | 1,272 | 1,240 | 1,189 | |
| | 60,000 | 3,866 | 3,140 | 2,781 | 2,386 | 1,938 | 1,689 | 1,616 | 1,490 | 1,435 | 1,385 | 1,357 | 1,331 | 1,267 | 1,207 | 1,165 | 1,126 | 1,098 | 1,053 | |
| | 100,000 | 3,317 | 2,694 | 2,386 | 2,047 | 1,662 | 1,449 | 1,387 | 1,278 | 1,231 | 1,189 | 1,164 | 1,142 | 1,087 | 1,036 | 999 | 966 | 942 | 903 | |
| 1-1/2 1-5/8 1-11/16 | 10,000 | 8,537 | 6,934 | 6,140 | 5,268 | 4,279 | 3,730 | 3,569 | 3,290 | 3,169 | 3,059 | 2,996 | | 2,798 | 2,666 | 2,571 | 2,487 | 2,425 | | |
| | 30,000 | 6,140 | 4,987 | 4,416 | 3,789 | 3,077 | 2,683 | 2,567 | 2,366 | 2,279 | 2,200 | 2,155 | 2,113 | 2,012 | 1,917 | 1,849 | 1,789 | 1,744 | | |
| | 40,000 | 5,632 | 4,575 | 4,051 | 3,475 | 2,823 | 2,461 | 2,355 | 2,171 | 2,091 | 2,018 | 1,977 | 1,939 | 1,846 | 1,759 | 1,696 | 1,641 | 1,600 | | |
| | 60,000 | 4,987 | 4,051 | 3,587 | 3,077 | 2,500 | 2,179 | 2,085 | 1,922 | 1,851 | 1,787 | 1,750 | 1,716 | 1,635 | 1,557 | 1,502 | 1,453 | 1,416 | | |
| | 100,000 | 4,279 | 3,475 | 3,077 | 2,640 | 2,144 | 1,869 | 1,789 | 1,649 | 1,588 | 1,533 | 1,502 | 1,473 | 1,402 | 1,336 | 1,289 | 1,247 | 1,215 | | |
| 1-3/4 1-7/8 1-15/16 2 | 10,000 | 11,220 | 9,114 | 8,070 | 6,923 | 5,624 | 4,902 | 4,691 | 4,325 | 4,165 | 4,021 | 3,938 | 3,862 | 3,677 | 3,504 | 3,379 | 3,269 | | | |
| | 30,000 | 8,070 | 6,555 | 5,804 | 4,979 | 4,045 | 3,526 | 3,374 | 3,110 | 2,996 | 2,892 | 2,832 | 2,777 | 2,645 | 2,520 | 2,431 | 2,351 | | | |
| | 40,000 | 7,403 | 6,013 | 5,324 | 4,568 | 3,710 | 3,234 | 3,095 | 2,853 | 2,748 | 2,653 | 2,598 | 2,548 | 2,426 | 2,312 | 2,230 | 2,157 | | | |
| | 60,000 | 6,555 | 5,324 | 4,714 | 4,045 | 3,285 | 2,864 | 2,740 | 2,526 | 2,433 | 2,349 | 2,300 | 2,256 | 2,148 | 2,047 | 1,974 | 1,910 | | | |
| | 100,000 | 5,624 | 4,568 | 4,055 | 3,470 | 2,818 | 2,457 | 2,351 | 2,167 | 2,088 | 2,015 | 1,974 | 1,935 | 1,843 | 1,756 | 1,694 | 1,638 | | | |
| 2-3/16 | 10,000 | 11,888 | 9,656 | 8,550 | 7,335 | 5,958 | 5,194 | 4,970 | 4,582 | 4,413 | 4,260 | 4,172 | 4,091 | 3,896 | 3,712 | 3,581 | | | | |
| | 30,000 | 8,550 | 6,945 | 6,149 | 5,276 | 4,285 | 3,736 | 3,575 | 3,295 | 3,174 | 3,064 | 3,001 | 2,943 | 2,802 | 2,670 | 2,575 | | | | |
| | 40,000 | 7,843 | 6,371 | 5,641 | 4,839 | 3,931 | 3,427 | 3,279 | 3,023 | 2,911 | 2,810 | 2,752 | 2,699 | 2,570 | 2,449 | 2,362 | | | | |
| | 60,000 | 6,945 | 5,641 | 4,995 | 4,285 | 3,481 | 3,034 | 2,903 | 2,677 | 2,578 | 2,489 | 2,437 | 2,390 | 2,276 | 2,169 | 2,092 | | | | |
| | 100,000 | 5,958 | 4,839 | 4,285 | 3,676 | 2,986 | 2,603 | 2,491 | 2,296 | 2,212 | 2,135 | 2,091 | 2,051 | 1,953 | 1,861 | 1,795 | | | | |
| 2-1/4 2-7/16 2-1/2 | 10,000 | 12,639 | 10,266 | 9,090 | 7,798 | 6,334 | 5,522 | 5,284 | 4,871 | 4,692 | 4,529 | 4,435 | 4,350 | 4,142 | 3,947 | | | | | |
| | 30,000 | 9,090 | 7,383 | 6,538 | 5,609 | 4,556 | 3,972 | 3,800 | 3,503 | 3,374 | 3,257 | 3,190 | 3,129 | 2,979 | 2,839 | | | | | |
| | 40,000 | 8,338 | 6,773 | 5,997 | 5,145 | 4,179 | 3,643 | 3,486 | 3,214 | 3,095 | 2,988 | 2,926 | 2,870 | 2,733 | 2,604 | | | | | |
| | 60,000 | 7,383 | 5,997 | 5,310 | 4,556 | 3,700 | 3,226 | 3,087 | 2,846 | 2,741 | 2,646 | 2,591 | 2,541 | 2,420 | 2,306 | | | | | |
| | 100,000 | 6,334 | 5,145 | 4,556 | 3,908 | 3,175 | 2,768 | 2,648 | 2,441 | 2,351 | 2,270 | 2,223 | 2,180 | 2,076 | 1,978 | | | | | |
| 2-11/16 2-3/4 2-15/16 3 | 10,000 | 13,348 | 10,842 | 9,600 | 8,236 | 6,690 | 5,832 | 5,580 | 5,145 | 4,955 | 4,783 | 4,684 | 4,594 | 4,375 | | | | | | |
| | 30,000 | 9,600 | 7,798 | 6,905 | 5,924 | 4,811 | 4,194 | 4,014 | 3,700 | 3,564 | 3,440 | 3,369 | 3,304 | 3,146 | | | | | | |
| | 40,000 | 8,806 | 7,153 | 6,334 | 5,434 | 4,414 | 3,848 | 3,682 | 3,394 | 3,269 | 3,156 | 3,090 | 3,031 | 2,886 | | | | | | |
| | 60,000 | 7,798 | 6,334 | 5,608 | 4,811 | 3,908 | 3,407 | 3,260 | 3,005 | 2,895 | 2,794 | 2,737 | 2,684 | 2,556 | | | | | | |
| | 100,000 | 6,690 | 5,434 | 4,811 | 4,128 | 3,353 | 2,923 | 2,797 | 2,578 | 2,483 | 2,397 | 2,348 | 2,302 | 2,192 | | | | | | |

For maximum RPM see Table 1 on page B6-14

In the shaded area, E, DI and TAF mounted units require a line-to-line to light press fit of shaft

In the boxed area, Type K mounted units require a line-to-line to light press fit of shaft

D-LOK

Type E Family

Speciality Tapered

S-2000

UNISPHERE II

| | | | |
|--------------------------------|---------------------------|------------------------|-----------------------------------|
| FEATURES/BENEFITS PAGE B6-2 | NOMENCLATURE PAGE B6-4 | SELECTION PAGE B6-5 | SELECTION/DIMENSIONS PAGE B6-8 |
|--------------------------------|---------------------------|------------------------|-----------------------------------|

SELECTION



Type E, Type K, DOUBLE-INTERLOCK and TAF

TABLE 2 (continued) - EASY SELECTION TABLE TYPE E, K, DI AND TAF

| Shaft Size | L10 Hours Life | Allowable Equivalent Radial Load (Lbs.) at various Revolutions Per Minute | | | | | | | | | | | | | | | | | | | |
|------------------------------------|----------------|---|--------|--------|--------|--------|--------|--------|--------|--------|--------|-------|-------|-------|-------|-------|-------|-------|-------|-------|--|
| | | 50 | 100 | 150 | 250 | 500 | 790 | 915 | 1,200 | 1,360 | 1,530 | 1,640 | 1,750 | 2,060 | 2,420 | 2,730 | 3,050 | 3,320 | 3,820 | 4,490 | |
| 3-3/16 3-1/4 3-7/16 3-1/2 | 10,000 | 21,273 | 17,279 | 15,300 | 13,126 | 10,662 | 9,295 | 8,894 | 8,199 | 7,897 | 7,623 | 7,466 | 7,322 | | | | | | | | |
| | 30,000 | 15,300 | 12,427 | 11,004 | 9,441 | 7,668 | 6,685 | 6,397 | 5,897 | 5,680 | 5,482 | 5,369 | 5,266 | | | | | | | | |
| | 40,000 | 14,035 | 11,400 | 10,094 | 8,660 | 7,034 | 6,132 | 5,868 | 5,409 | 5,210 | 5,029 | 4,925 | 4,830 | | | | | | | | |
| | 60,000 | 12,427 | 10,094 | 8,938 | 7,668 | 6,228 | 5,430 | 5,196 | 4,790 | 4,613 | 4,453 | 4,361 | 4,277 | | | | | | | | |
| 3-15/16 4 | 10,000 | 29,198 | 23,716 | 21,000 | 18,016 | 14,634 | 12,757 | 12,207 | 11,254 | 10,839 | 10,463 | | | | | | | | | | |
| | 30,000 | 21,000 | 17,057 | 15,104 | 12,958 | 10,525 | 9,175 | 8,780 | 8,094 | 7,796 | 7,525 | | | | | | | | | | |
| | 40,000 | 19,264 | 15,647 | 13,855 | 11,886 | 9,655 | 8,417 | 8,054 | 7,425 | 7,151 | 6,903 | | | | | | | | | | |
| | 60,000 | 17,057 | 13,855 | 12,268 | 10,525 | 8,549 | 7,453 | 7,131 | 6,574 | 6,332 | 6,112 | | | | | | | | | | |
| 4-7/16 4-1/2 | 10,000 | 35,872 | 29,137 | 25,800 | 22,134 | 17,979 | 15,673 | 14,998 | 13,826 | 13,316 | | | | | | | | | | | |
| | 30,000 | 25,800 | 20,956 | 18,556 | 15,919 | 12,931 | 11,273 | 10,787 | 9,944 | 9,577 | | | | | | | | | | | |
| | 40,000 | 23,667 | 19,223 | 17,022 | 14,603 | 11,861 | 10,340 | 9,895 | 9,122 | 8,786 | | | | | | | | | | | |
| | 60,000 | 20,956 | 17,022 | 15,072 | 12,931 | 10,503 | 9,156 | 8,761 | 8,077 | 7,779 | | | | | | | | | | | |
| 4-15/16 5 | 10,000 | 49,359 | 40,092 | 35,500 | 30,456 | 24,738 | 21,566 | 20,636 | 19,024 | | | | | | | | | | | | |
| | 30,000 | 35,500 | 28,835 | 25,532 | 21,905 | 17,792 | 15,511 | 14,842 | 13,682 | | | | | | | | | | | | |
| | 40,000 | 32,565 | 26,451 | 23,421 | 20,094 | 16,321 | 14,228 | 13,615 | 12,551 | | | | | | | | | | | | |
| | 60,000 | 28,835 | 23,421 | 20,739 | 17,792 | 14,452 | 12,599 | 12,055 | 11,114 | | | | | | | | | | | | |
| 5-7/16 5-15/16 6 | 10,000 | 56,589 | 45,964 | 40,700 | 34,917 | 28,362 | 24,725 | 23,659 | | | | | | | | | | | | | |
| | 30,000 | 40,700 | 33,059 | 29,272 | 25,113 | 20,398 | 17,783 | 17,016 | | | | | | | | | | | | | |
| | 40,000 | 37,335 | 30,325 | 26,852 | 23,037 | 18,712 | 16,312 | 15,609 | | | | | | | | | | | | | |
| | 60,000 | 33,059 | 26,852 | 23,777 | 20,398 | 16,569 | 14,444 | 13,821 | | | | | | | | | | | | | |
| 6-7/16 6-1/2 6-15/16 7 | 10,000 | 56,589 | 45,964 | 40,700 | 34,917 | 28,362 | 24,725 | 23,659 | | | | | | | | | | | | | |
| | 30,000 | 40,700 | 33,059 | 29,272 | 25,113 | 20,398 | 17,783 | 17,016 | | | | | | | | | | | | | |
| | 40,000 | 37,335 | 30,325 | 26,852 | 23,037 | 18,712 | 16,312 | 15,609 | | | | | | | | | | | | | |
| | 60,000 | 33,059 | 26,852 | 23,777 | 20,398 | 16,569 | 14,444 | 13,821 | | | | | | | | | | | | | |
| 100,000 | 28,362 | 23,037 | 20,398 | 17,500 | 14,214 | 12,392 | 11,858 | | | | | | | | | | | | | | |

For maximum RPM see Table 1 on page B6-14

In the shaded area, E, DI and TAF mounted units require a line-to-line to light press fit of shaft

In the boxed area, Type K mounted units require a line-to-line to light press fit of shaft

| | | | |
|--------------------------------|---------------------------|------------------------|-----------------------------------|
| FEATURES/BENEFITS PAGE B6-2 | NOMENCLATURE PAGE B6-4 | SELECTION PAGE B6-5 | SELECTION/DIMENSIONS PAGE B6-8 |
|--------------------------------|---------------------------|------------------------|-----------------------------------|

SELECTION



Type E, DOUBLE-INTERLOCK and TAF

TABLE 3 - PERMISSIBLE THRUST LOAD, LBS.*

| SHAFT SIZE INCHES | *E | | *K/DI, TAF | |
|-------------------|--------|--------|------------|--------|
| | 2-Bolt | 4-Bolt | 2-Bolt | 4-Bolt |
| 1-3/16 | 2000 | | 1400 | |
| 1-1/4 | 2000 | | 1400 | |
| 1-3/8 | 2590 | | 2590 | |
| 1-7/16 | 2590 | | 2590 | |
| 1-1/2 | 2590 | | 2590 | |
| 1-5/8 | 2590 | | 2590 | |
| 1-11/16 | 2590 | | 2590 | |
| 1-3/4 | 3454 | | 3454 | |
| 1-7/8 | 3454 | | 3454 | |
| 1-15/16 | 3454 | | 3454 | |
| 2 | 3454 | | 3454 | |
| 2-3/16 | 3454 | | 3454 | |
| 2-1/4 | 3454 | 3454 | 3454 | 3454 |
| 2-7/16 | 3454 | 3454 | 3454 | 3454 |
| 2-1/2 | 3454 | 3454 | 3454 | 3454 |
| 2-11/16 | 5181 | 5181 | 5181 | 5181 |
| 2-3/4 | 5181 | 5181 | 5181 | 5181 |
| 2-15/16 | 5181 | 5181 | 5181 | 5181 |
| 3 | 5181 | 5181 | 5181 | 5181 |
| 3-3/16 | 5181 | 5181 | 4300 | 5181 |
| 3-1/4 | 5181 | 5181 | 4300 | 5181 |
| 3-7/16 | 5181 | 5181 | 4300 | 5181 |
| 3-1/2 | 5181 | 5181 | 4300 | 5181 |
| 3-15/16 | | 6908 | | 6908 |
| 4 | | 6908 | | 6908 |
| 4-7/16 | | 6908 | | 6908 |
| 4-1/2 | | 6908 | | 6908 |
| 4-15/16 | | 6908 | | 6908 |
| 5 | | 6908 | | 6908 |
| 5-7/16 | | 8635 | | 8635 |
| 5-15/16 | | 8635 | | 8635 |
| 6 | | 8635 | | 8635 |
| 6-7/16 | | 12282 | | 12282 |
| 6-1/2 | | 12282 | | 12282 |
| 6-15/16 | | 12282 | | 12282 |
| 7 | | 12282 | | 12282 |

Note: The limits above apply to set screw shaft mounting or pillow block over turning force. Under heavy thrust loads it is always wise to use shear bars. At all times, the L10 life of the bearing should be checked for proper selection and life requirements. For thrust loads larger than listed or heavy thrust loading on other style housing, contact DODGE Engineering for recommendations.

* Does not include Piloted Flange
 Piloted Flange up to and including 3-1/2" and all sizes of Type K only have one setscrew locking collar and therefore the above listed permissible thrust load values must be decreased by 1/2.

| | | | |
|--------------------------------|---------------------------|------------------------|-----------------------------------|
| FEATURES/BENEFITS PAGE B6-2 | NOMENCLATURE PAGE B6-4 | SELECTION PAGE B6-5 | SELECTION/DIMENSIONS PAGE B6-8 |
|--------------------------------|---------------------------|------------------------|-----------------------------------|

SELECTION



Type E, Type K, DOUBLE-INTERLOCK and TAF

TABLE 4 - K, DI AND TAF MAXIMUM AXIAL EXPANSION (INCHES)

| Bore Size (INCHES) | Type K DOUBLE-INTERLOCK | | TAF |
|-----------------------|----------------------------|--------|-------|
| | Pillow Block | Flange | |
| 1-3/16 - 1-1/4 | 0.252 | -- | -- |
| 1-3/8 - 1-7/16 | 0.188 | 0.187 | 0.188 |
| 1-1/2 - 1-11/16 | 0.188 | 0.187 | 0.188 |
| 1-3/4 - 2 | 0.562 | 0.187 | 0.562 |
| 2-3/16 | 0.562 | 0.187 | 0.562 |
| 2-1/4 - 2-1/2 | 0.562 | 0.312 | 0.562 |
| 2-11/16 - 3 | 0.562 | 0.312 | 0.562 |
| 3-3/16 - 3-1/2 | 0.562 | 0.312 | 0.562 |
| 3-15/16 - 4 | 0.674 | 0.312 | 0.674 |
| 4-7/16 - 4-1/2 | 0.674 | 0.812 | 0.674 |
| 4-15/16 - 5 | 0.674 | 0.812 | 0.674 |
| 5-7/16 - 6 | 0.500 | -- | 0.875 |
| 6-7/16 - 7 | 0.500 | -- | 0.875 |

Table 5 - DEFINITION OF OPERATING CONDITIONS FOR TAPERED ROLLER BEARINGS

| | |
|-----------------------|---------------------------------|
| LOW SPEED | UP TO 20% OF MAX. RPM (TABLE 1) |
| MEDIUM SPEED | OVER 20% TO 80% OF MAX. RPM |
| HIGH SPEED | OVER 80% OF MAX. RPM |
| LIGHT LOAD | UP TO 30% OF C90 (TABLE 1) |
| NORMAL LOAD | OVER 30% TO 70% OF C90 |
| HEAVY LOAD | OVER 70% OF C90 |
| LOW TEMPERATURE | -100°F TO 20°F |
| MEDIUM TEMPERATURE | OVER 20°F TO 200°F |
| HIGH TEMPERATURE | OVER 200°F TO 300°F |
| VERY HIGH TEMPERATURE | OVER 300°F TO 400°F |

| | | | |
|--------------------------------|---------------------------|------------------------|-----------------------------------|
| FEATURES/BENEFITS PAGE B6-2 | NOMENCLATURE PAGE B6-4 | SELECTION PAGE B6-5 | SELECTION/DIMENSIONS PAGE B6-8 |
|--------------------------------|---------------------------|------------------------|-----------------------------------|



Type E

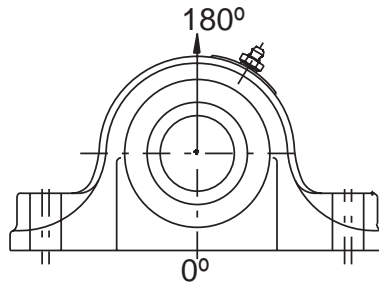


TABLE 6 - HOUSING RATINGS - TYPE E (SOLID HOUSING)

| SHAFT SIZE (INCHES) | MAXIMUM RECOMMENDED HOUSING CAP LOADS, LBS. GRAY IRON 180° |
|---------------------|--|
| 1-3/16 - 1-1/4 | 1,600 |
| 1-3/8 - 1-7/16 | 3,150 |
| 1-1/2 - 1-11/16 | 3,000 |
| 1-3/4 - 2 | 5,150 |
| 2-3/16 | 3,500 |
| 2-1/4 - 2-1/2 | 6,550 |
| 2-11/16 - 3 | 7,000 |
| 3-3/16 - 3-1/2 | 15,700 |
| 3-15/16 - 4 | 16,250 |
| 4-7/16 - 4-1/2 | 21,000 |
| 4-15/16 - 5 | 22,860 |
| 5-7/16 - 6 | 43,600 |
| 6-7/16 - 7 | 46,000 |

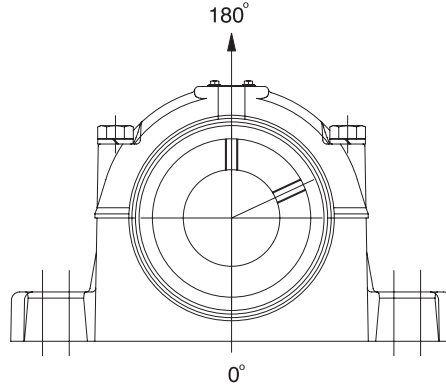
*When utilizing heavy cap loads on pillow block housings, the installation must adhere to the following procedures.

1. The pillow block base bolts must be of **Grade 8 strength with hardened washers and properly tightened** to the mounting structure.
2. The use of stop bars (shear strips) against pillow block where side loads are encountered
3. In all cases where loads are heavy, the L10 life of the bearing should be checked for proper selection and life requirements

| | | | |
|--------------------------------|---------------------------|------------------------|-----------------------------------|
| FEATURES/BENEFITS PAGE B6-2 | NOMENCLATURE PAGE B6-4 | SELECTION PAGE B6-5 | SELECTION/DIMENSIONS PAGE B6-8 |
|--------------------------------|---------------------------|------------------------|-----------------------------------|



Type K, DOUBLE-INTERLOCK and TAF



**Table 7:
Housing Ratings
Type K and DI Housing (Split Housing)**

| SHAF SIZE (INCHES) | MAXIMUM RECOMMENDED HOUSING CAP LOADS, LBS. 180° |
|--------------------|--|
| 1-3/16 - 1-1/4 | 4,300 |
| 1-3/8 - 1-7/16 | 5,060 |
| 1-1/2 - 1-11/16 | 5,940 |
| 1-3/4 - 2 | 8,660 |
| 2-3/16 | 10,100 |
| 2-1/4 - 2-1/2 | 10,100 |
| 2-11/16 - 3 | 11,220 |
| 3-3/16 - 3-1/2 | 16,170 |
| 3-15/16 - 4 | 19,580 |
| 4-7/16 - 4-1/2 | 20,130 |
| 4-15/16 - 5 | 24,530 |
| 5-7/16 - 6 | 35,200 |
| 6-7/16 - 7 | 56,000 |

**Table 8:
Housing Ratings
TAF (Split Housing)**

| SHAF SIZE (INCHES) | MAXIMUM RECOMMENDED HOUSING CAP LOADS, LBS. 180° |
|--------------------|--|
| 1-7/16 | 4,600 |
| 1-11/16 | 5,400 |
| 1-15/16 | 7,875 |
| 2-3/16 | 9,200 |
| 2-7/16 - 2-1/2 | 9,220 |
| 2-15/16 - 3 | 10,200 |
| 3-7/16 - 3-1/2 | 14,700 |
| 3-15/16 - 4 | 17,800 |
| 4-7/16 - 4-1/2 | 18,300 |
| 4-15/16 - 5 | 22,300 |
| 5-7/16 - 6 | 30,000 |
| 6-7/16 - 6-1/2 | 30,000 |
| 6-15/16 - 7 | 48,000 |

*When utilizing heavy cap loads on pillow block housings, the installation must adhere to the following procedures.

1. The pillow block base bolts must be of **Grade 8 strength with hardened washers and properly tightened to the mounting structure.**
2. The use of stop bars (shear strips) against pillow block where side loads are encountered
3. In all cases where loads are heavy, the L10 life of the bearing should be checked for proper selection and life requirements

| | | | |
|--------------------------------|---------------------------|------------------------|-----------------------------------|
| FEATURES/BENEFITS PAGE B6-2 | NOMENCLATURE PAGE B6-4 | SELECTION PAGE B6-5 | SELECTION/DIMENSIONS PAGE B6-8 |
|--------------------------------|---------------------------|------------------------|-----------------------------------|

SELECTION/DIMENSIONS



Type E, Type K, DOUBLE-INTERLOCK and TAF

DODGE[®] MOUNTED BEARINGS APPLICATION DATA SHEET

Instructions: Complete all applicable information and mail or Fax to DODGE at P.O. Box 499, Greenville, SC 29620, Attn: Engineering, Fax 864-2317

Company _____ DIST. USER OEM Date _____
Address _____
Name _____ Phone _____ Fax _____
Type of Equipment (sketch drive on separate sheet) _____

Service Conditions:

Shaft Speed: Normal _____ Maximum _____
Loads: Radial _____ Thrust _____ Shock (frequency) _____
Shaft Size: _____ Shaft Tolerance (specify if not commercial) _____
Duty Cycle: Hours/Day _____ Days/Week _____ Weeks/Year _____

Environment:

Ambient Temperature: Summer _____ °F Winter _____ °F
External Heat: Source of Heat _____
Temperature _____ °F Distance from Bearing _____
Air: Clean _____ Contaminated _____ Contamination Type _____
Gas: Clean _____ Contaminated _____ Contamination Type _____
Liquid: Type _____ Concentration _____
Other: (Including washdowns) _____

Experience: (If applicable)

Type of Bearing Currently Used: _____
Life Realized _____ Type of Failure _____

Other Pertinent Data

L-10 Hours Required: _____

Dimensional Restrictions: Centerline Height _____
Bolt Pattern _____
Other _____

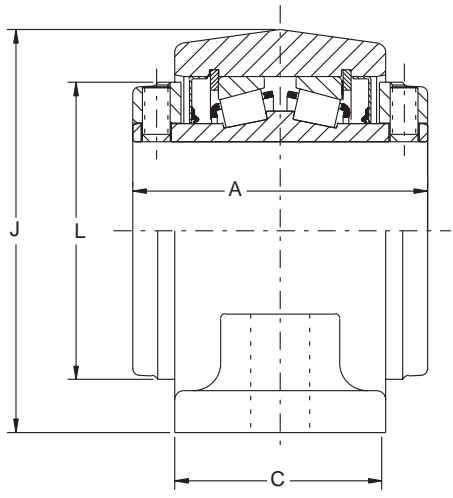
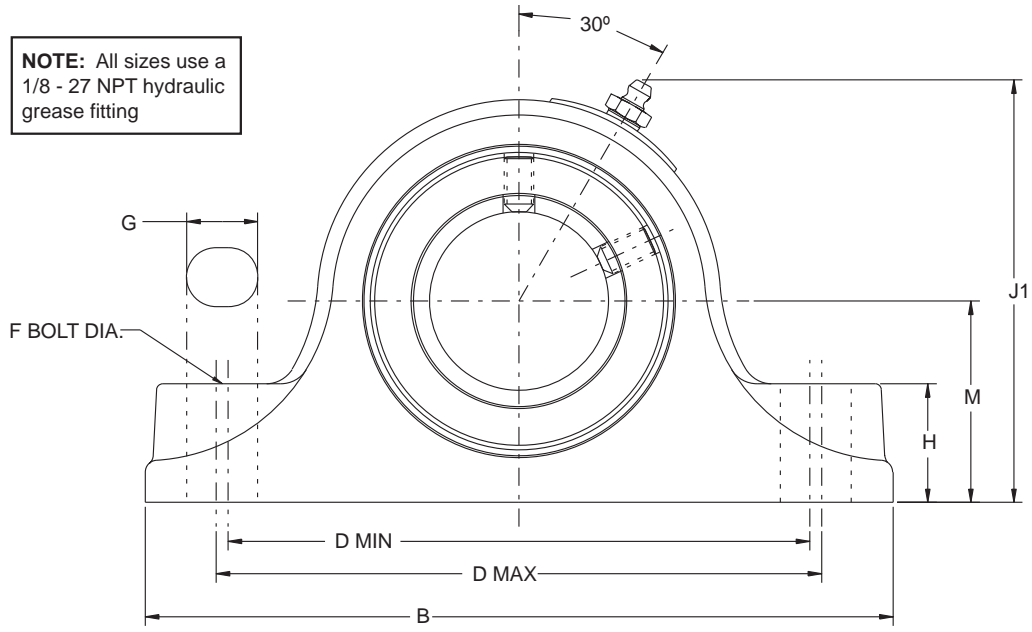
| | | | |
|--------------------------------|---------------------------|------------------------|-----------------------------------|
| FEATURES/BENEFITS PAGE B6-2 | NOMENCLATURE PAGE B6-4 | SELECTION PAGE B6-5 | SELECTION/DIMENSIONS PAGE B6-8 |
|--------------------------------|---------------------------|------------------------|-----------------------------------|

SELECTION/DIMENSIONS

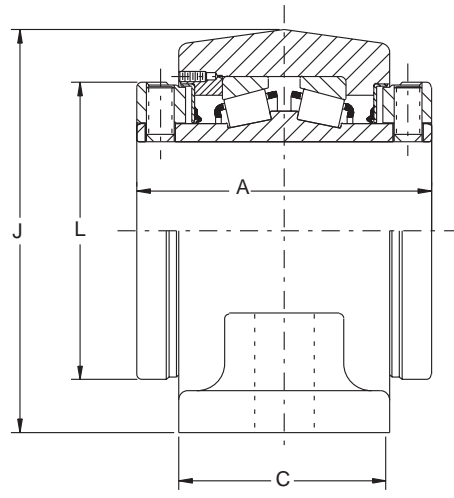


Type E Pillow Block - Inch 2-BOLT BASE

NOTE: All sizes use a 1/8 - 27 NPT hydraulic grease fitting



1-3/16" THRU 3" CONSTRUCTION



3-3/16" THRU 3-1/2" CONSTRUCTION

| | | | |
|--------------------------------|---------------------------|------------------------|-----------------------------------|
| FEATURES/BENEFITS PAGE B6-2 | NOMENCLATURE PAGE B6-4 | SELECTION PAGE B6-5 | SELECTION/DIMENSIONS PAGE B6-8 |
|--------------------------------|---------------------------|------------------------|-----------------------------------|

D-LOK

Type E Family

Specialty Tapered

S-2000

UNISPHERE II

SELECTION/DIMENSIONS



Type E Pillow Block - Inch 2-BOLT BASE

| GRAY IRON | | | |
|---------------------|-------------|------------|---------------------|
| SHAFT SIZE INCHES # | PART NUMBER | PART NAME | WEIGHT LBS (APPROX) |
| 1-3/16 | 023000 | P2B-E-103R | 4 |
| 1-1/4 | 023001 | P2B-E-104R | 4 |
| 1-3/8 | 023002 | P2B-E-106R | 7 |
| 1-7/16 | 023003 | P2B-E-107R | 7 |
| 1-1/2 | 023004 | P2B-E-108R | 10 |
| 1-5/8 | 023005 | P2B-E-110R | 10 |
| 1-11/16 | 023006 | P2B-E-111R | 10 |
| 1-3/4 | 023007 | P2B-E-112R | 12 |
| 1-7/8 | 023008 | P2B-E-114R | 12 |
| 1-15/16 | 023009 | P2B-E-115R | 12 |
| 2 | 023010 | P2B-E-200R | 12 |
| 2-3/16 | 023011 | P2B-E-203R | 15 |
| 2-1/4 | 023012 | P2B-E-204R | 21 |
| 2-7/16 | 023013 | P2B-E-207R | 20 |
| 2-1/2 | 023014 | P2B-E-208R | 20 |
| 2-11/16 | 023015 | P2B-E-211R | 29 |
| 2-3/4 | 023016 | P2B-E-212R | 28 |
| 2-15/16 | 023017 | P2B-E-215R | 27 |
| 3 | 023018 | P2B-E-300R | 27 |
| 3-3/16 | 023019 | P2B-E-303R | 48 |
| 3-1/4 | 023020 | P2B-E-304R | 47 |
| 3-7/16 | 023021 | P2B-E-307R | 46 |
| 3-1/2 | 023022 | P2B-E-308R | 45 |

Consult DODGE For Sizes Not Listed

| CAST STEEL | | | |
|---------------------|-------------|-------------|------------|
| SHAFT SIZE INCHES # | PART NUMBER | PART NAME | WEIGHT LBS |
| 1-3/16 | 023047 | SP2B-E-103R | 4 |
| 1-1/4 | 023048 | SP2B-E-104R | 4 |
| 1-3/8 | 023049 | SP2B-E-106R | 7 |
| 1-7/16 | 023050 | SP2B-E-107R | 7 |
| 1-1/2 | 023051 | SP2B-E-108R | 10 |
| 1-5/8 | 023052 | SP2B-E-110R | 10 |
| 1-11/16 | 023053 | SP2B-E-111R | 10 |
| 1-3/4 | 023054 | SP2B-E-112R | 11 |
| 1-7/8 | 023055 | SP2B-E-114R | 11 |
| 1-15/16 | 023056 | SP2B-E-115R | 11 |
| 2 | 023057 | SP2B-E-200R | 11 |
| 2-3/16 | 023058 | SP2B-E-203R | 14 |
| 2-1/4 | 023059 | SP2B-E-204R | 19 |
| 2-7/16 | 023060 | SP2B-E-207R | 19 |
| 2-1/2 | 023061 | SP2B-E-208R | 19 |
| 2-11/16 | 023062 | SP2B-E-211R | 26 |
| 2-3/4 | 023063 | SP2B-E-212R | 26 |
| 2-15/16 | 023064 | SP2B-E-215R | 26 |
| 3 | 023065 | SP2B-E-300R | 26 |
| 3-3/16 | 023066 | SP2B-E-303R | 44 |
| 3-1/4 | 023067 | SP2B-E-304R | 44 |
| 3-7/16 | 023068 | SP2B-E-307R | 44 |
| 3-1/2 | 023069 | SP2B-E-308R | 44 |

Consult DODGE For Sizes Not Listed

| SHAFT SIZE (Inches) | A | B | C | D | | F BOLT DIA | G | H | J | J1 | L | M |
|---------------------|-------|-------|-------|----------|---------|------------|--------|--------|-------|---------|---------|-------|
| | | | | MIN | MAX | | | | | | | |
| 1-3/16 | 2-3/4 | 6 | 1-7/8 | 4-3/4 | 4-13/16 | 1/2 | 19/32 | 7/8 | 3 | 3-9/32 | 2-1/4 | 1-1/2 |
| 1-1/4 | | | | 5-5/8 | 5-7/8 | | | | | | | |
| 1-3/8 | 3 | 7-3/8 | 2-1/8 | 5-5/8 | 5-7/8 | 1/2 | 3/4 | 1-1/8 | 3-3/4 | 4 | 2-3/4 | 1-7/8 |
| 1-7/16 | | | | 6-1/8 | 6-3/8 | | | | | | | |
| 1-1/2 | 3-3/8 | 7-7/8 | 2-3/8 | 6-1/8 | 6-3/8 | 1/2 | 3/4 | 1-1/4 | 4-1/4 | 4-15/32 | 3-3/16 | 2-1/8 |
| 1-5/8 | | | | | | | | | | | | |
| 1-11/16 | | | | | | | | | | | | |
| 1-3/4 | | | | | | | | | | | | |
| 1-7/8 | 3-1/2 | 8-7/8 | 2-1/2 | 6-7/8 | 7-1/8 | 5/8 | 7/8 | 1-5/16 | 4-1/2 | 4-11/16 | 3-7/16 | 2-1/4 |
| 1-15/16 | | | | | | | | | | | | |
| 2 | | | | | | | | | | | | |
| 2-3/16 | | | | | | | | | | | | |
| 2-3/16 | 3-3/4 | 9-5/8 | 2-5/8 | 7-5/8 | 7-7/8 | 5/8 | 7/8 | 1-1/2 | 5 | 5-11/64 | 3-3/4 | 2-1/2 |
| 2-1/4 | | | | | | | | | | | | |
| 2-7/16 | | | | | | | | | | | | |
| 2-1/2 | | | | | | | | | | | | |
| 2-11/16 | 4-1/2 | 12 | 3 | 9-5/16 | 9-11/16 | 3/4 | 1 | 1-7/8 | 6-1/4 | 6-11/32 | 4-23/32 | 3-1/8 |
| 2-3/4 | | | | | | | | | | | | |
| 2-15/16 | | | | | | | | | | | | |
| 3 | | | | | | | | | | | | |
| 3-3/16 | 5 | 14 | 3-1/2 | 10-13/16 | 11-3/16 | 7/8 | 1-3/16 | 2-1/4 | 7-1/2 | 7-1/2 | 5-1/2 | 3-3/4 |
| 3-1/4 | | | | | | | | | | | | |
| 3-7/16 | | | | | | | | | | | | |
| 3-1/2 | | | | | | | | | | | | |

NOTE: All sizes use a 1/8-27 NPT hydraulic grease fitting

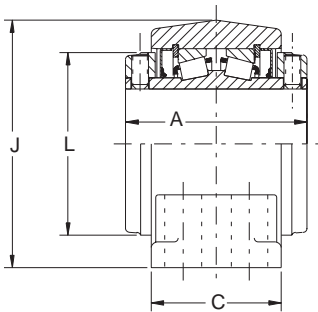
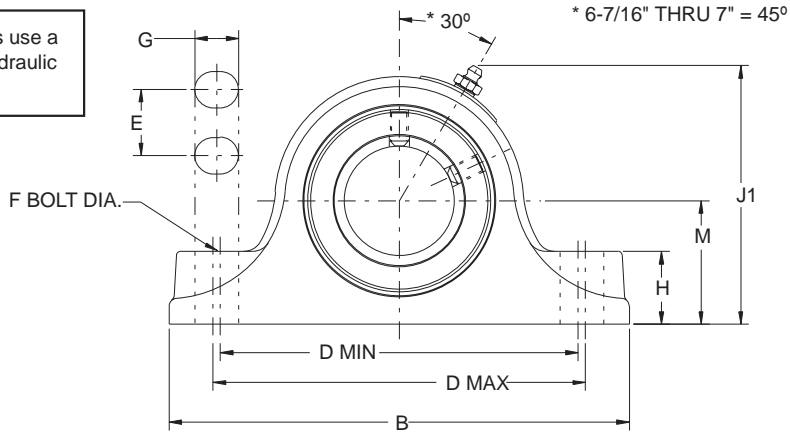
| | | | |
|--------------------------------|---------------------------|------------------------|-----------------------------------|
| FEATURES/BENEFITS PAGE B6-2 | NOMENCLATURE PAGE B6-4 | SELECTION PAGE B6-5 | SELECTION/DIMENSIONS PAGE B6-8 |
|--------------------------------|---------------------------|------------------------|-----------------------------------|

SELECTION/DIMENSIONS

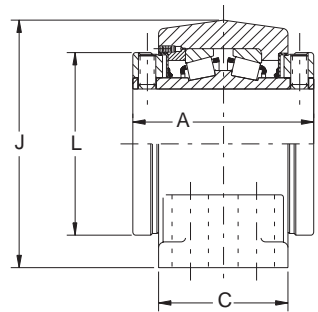


Type E Pillow Block - Inch 4-BOLT BASE

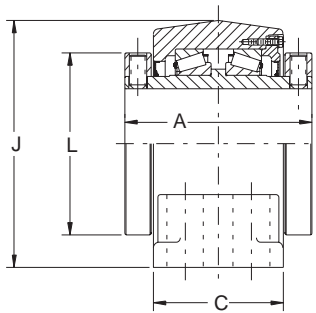
NOTE: All sizes use a 1/8 - 27 NPT hydraulic grease fitting



2-1/4" THRU 3" CONSTRUCTION



3-3/16" THRU 5" CONSTRUCTION



5-7/16" THRU 7" CONSTRUCTION

FEATURES/BENEFITS
PAGE B6-2

NOMENCLATURE
PAGE B6-4

SELECTION
PAGE B6-5

SELECTION/DIMENSIONS
PAGE B6-8

SELECTION/DIMENSIONS



Type E Pillow Block - Inch 4-BOLT BASE

| GRAY IRON | | | |
|---------------------|---------------|------------|---------------------|
| SHAFT SIZE INCHES # | PART NUMBER | PART NAME | WEIGHT LBS (APPROX) |
| 2-1/4 | 023023 | P4B-E-204R | 20 |
| 2-7/16 | 023024 | P4B-E-207R | 20 |
| 2-1/2 | 023025 | P4B-E-208R | 19 |
| 2-11/16 | 023026 | P4B-E-211R | 30 |
| 2-3/4 | 023027 | P4B-E-212R | 28 |
| 2-15/16 | 023028 | P4B-E-215R | 28 |
| 3 | 023029 | P4B-E-300R | 28 |
| 3-3/16 | 023030 | P4B-E-303R | 47 |
| 3-1/4 | 023031 | P4B-E-304R | 47 |
| 3-7/16 | 023032 | P4B-E-307R | 46 |
| 3-1/2 | 023033 | P4B-E-308R | 45 |
| 3-15/16 | 023690 | P4B-E-315R | 69 |
| 4 | 023691 | P4B-E-400R | 69 |
| 4-7/16 | 023692 | P4B-E-407R | 85 |
| 4-1/2 | 023693 | P4B-E-408R | 85 |
| 4-15/16 | 023694 | P4B-E-415R | 134 |
| 5 | 023695 | P4B-E-500R | 133 |
| 5-7/16 | 023040 | P4B-E-507R | 230 |
| 5-15/16 | 023041 | P4B-E-515R | 250 |
| 6 | 023042 | P4B-E-600R | 245 |
| 6-7/16 | 023043 | P4B-E-607R | 356 |
| 6-1/2 | 023044 | P4B-E-608R | 350 |
| 6-15/16 | 023045 | P4B-E-615R | 340 |
| 7 | 023046 | P4B-E-700R | 335 |

Consult DODGE For Sizes Not Listed

| CAST STEEL | | | |
|---------------------|---------------|-------------|------------|
| SHAFT SIZE INCHES # | PART NUMBER | PART NAME | WEIGHT LBS |
| 2-1/4 | ----- | ----- | ----- |
| 2-7/16 | ----- | ----- | ----- |
| 2-1/2 | ----- | ----- | ----- |
| 2-11/16 | ----- | ----- | ----- |
| 2-3/4 | ----- | ----- | ----- |
| 2-15/16 | ----- | ----- | ----- |
| 3 | ----- | ----- | ----- |
| 3-3/16 | ----- | ----- | ----- |
| 3-1/4 | ----- | ----- | ----- |
| 3-7/16 | ----- | ----- | ----- |
| 3-1/2 | ----- | ----- | ----- |
| 3-15/16 | 023070 | SP4B-E-315R | 65 |
| 4 | 023071 | SP4B-E-400R | 65 |
| 4-7/16 | 023072 | SP4B-E-407R | 81 |
| 4-1/2 | 023073 | SP4B-E-408R | 81 |
| 4-15/16 | 023074 | SP4B-E-415R | 132 |
| 5 | 023075 | SP4B-E-500R | 132 |
| 5-7/16 | ----- | ----- | ----- |
| 5-15/16 | ----- | ----- | ----- |
| 6 | ----- | ----- | ----- |
| 6-7/16 | ----- | ----- | ----- |
| 6-1/2 | ----- | ----- | ----- |
| 6-15/16 | ----- | ----- | ----- |
| 7 | ----- | ----- | ----- |

Consult DODGE For Sizes Not Listed

| SHAFT SIZE INCHES | A | B | C* | D | | E | F BOLT DIA | G | H | J1 | J | L | M | | | |
|-------------------|--------|--------|-------|--------|---------|-------|------------|---------|---------|----------|--------|---------|----------|----------|---------|-------|
| | | | | MIN | MAX | | | | | | | | | | | |
| 2-1/4 | 4 | 10-1/2 | 3-1/2 | 8-5/16 | 8-11/16 | 1-7/8 | 5/8 | 7/8 | 1-5/8 | 5-1/2 | 5-5/8 | 4-1/16 | 2-3/4 | | | |
| 2-7/16 | | | | 4-1/2 | 12 | 4 | 9-3/16 | 9-13/16 | 2-1/8 | 5/8 | 1 | 1-7/8 | 6-1/4 | 6-11/32 | 4-23/32 | 3-1/8 |
| 2-1/2 | | | | | | | | | | | | | | | | |
| 2-11/16 | | | | | | | | | | | | | | | | |
| 2-3/4 | 5 | 13-1/2 | 4-1/2 | 10-3/4 | 11-1/4 | 2-3/8 | 3/4 | 1-3/16 | 2-1/4 | 7-1/2 | 7-1/2 | 5-1/2 | 3-3/4 | | | |
| 2-15/16 | | | | 6-1/4 | 15-1/4 | 4-1/2 | 12-1/4 | 12-3/4 | 2-1/4 | 3/4 | 1-1/8 | 2-7/16 | 8-1/2 | 8-7/16 | 6 | 4-1/4 |
| 3 | | | | | | | | | | | | | | | | |
| 3-3/16 | | | | | | | | | | | | | | | | |
| 3-1/4 | 6-3/4 | 16-5/8 | 4-5/8 | 13-1/4 | 13-3/4 | 2-1/2 | 3/4 | 1-1/8 | 2-3/4 | 9-3/8 | 9-9/32 | 6-29/64 | 4-3/4 | | | |
| 3-7/16 | | | | 7-1/4 | 18-1/2 | 5-1/8 | 15-1/4 | 15-3/4 | 2-7/8 | 7/8 | 1-1/4 | 3 | 10-7/8 | 10-11/16 | 7-29/64 | 5-1/2 |
| 3-1/2 | | | | | | | | | | | | | | | | |
| 3-15/16 | | | | | | | | | | | | | | | | |
| 4 | 9 | 22 | 6-1/4 | 17-3/8 | 19-1/8 | 3-3/4 | 1 | 2 | 3-1/4 | 13-3/16 | ---- | 9-3/8 | 6-11/16 | | | |
| 4-7/16 | | | | 10-1/2 | 26 | 7-1/8 | 21-1/4 | 23-1/4 | 4-5/8 | 1 | 2 | 3-11/16 | 14-15/16 | ---- | 11-3/8 | 7-1/2 |
| 4-1/2 | | | | | | | | | | | | | | | | |
| 4-15/16 | | | | | | | | | | | | | | | | |
| 5 | 10-1/2 | 26 | 7-1/8 | 21-1/4 | 23-1/4 | 4-5/8 | 1 | 2 | 3-11/16 | 14-15/16 | ---- | 11-3/8 | 7-1/2 | | | |
| 5-7/16 | | | | | | | | | | | | | | | | |
| 5-15/16 | | | | | | | | | | | | | | | | |
| 6 | 10-1/2 | 26 | 7-1/8 | 21-1/4 | 23-1/4 | 4-5/8 | 1 | 2 | 3-11/16 | 14-15/16 | ---- | 11-3/8 | 7-1/2 | | | |
| 6-7/16 | | | | | | | | | | | | | | | | |
| 6-1/2 | | | | | | | | | | | | | | | | |
| 6-15/16 | | | | | | | | | | | | | | | | |
| 7 | 10-1/2 | 26 | 7-1/8 | 21-1/4 | 23-1/4 | 4-5/8 | 1 | 2 | 3-11/16 | 14-15/16 | ---- | 11-3/8 | 7-1/2 | | | |
| 7-1/16 | | | | | | | | | | | | | | | | |
| 7-1/2 | | | | | | | | | | | | | | | | |

NOTE: All sizes use a 1/8-27 NPT hydraulic grease fitting

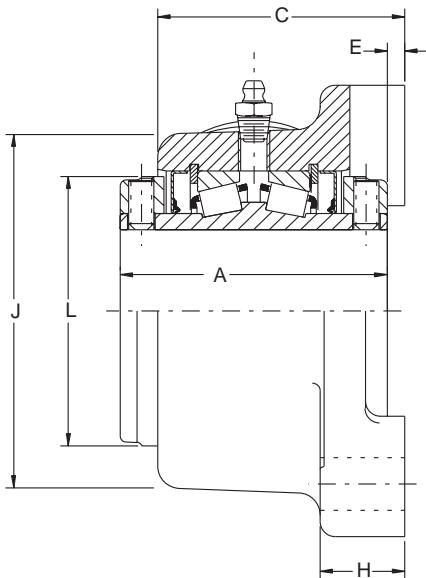
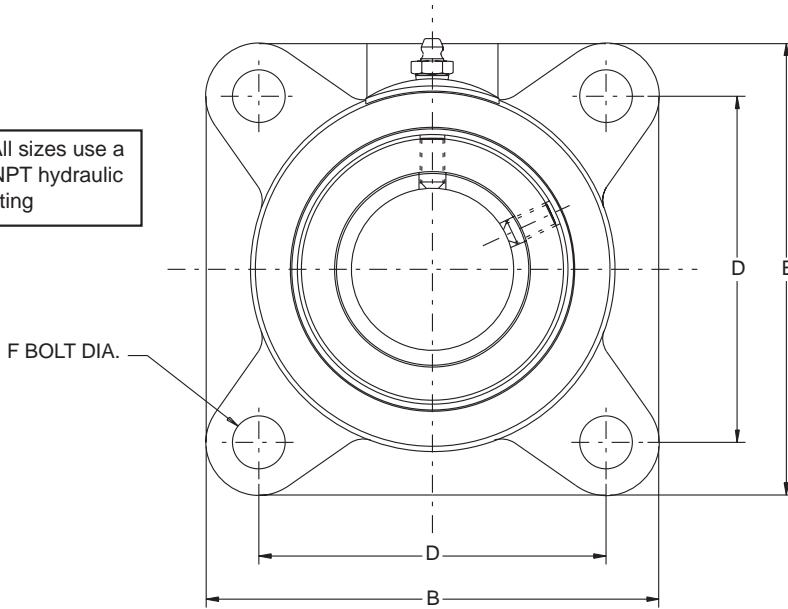
| | | | |
|--------------------------------|---------------------------|------------------------|-----------------------------------|
| FEATURES/BENEFITS PAGE B6-2 | NOMENCLATURE PAGE B6-4 | SELECTION PAGE B6-5 | SELECTION/DIMENSIONS PAGE B6-8 |
|--------------------------------|---------------------------|------------------------|-----------------------------------|

SELECTION/DIMENSIONS

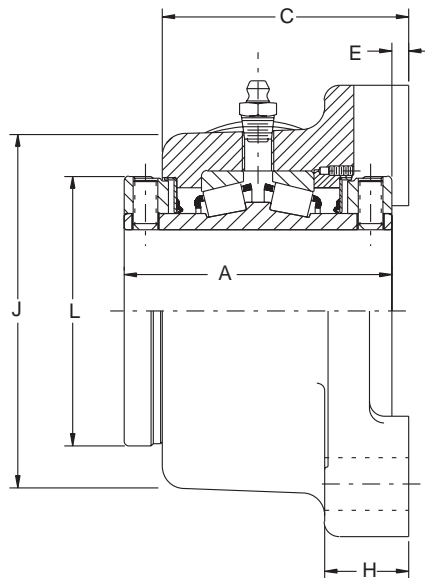


Type E Flange Bearing - Inch 4-BOLT BASE

NOTE: All sizes use a 1/8 - 27 NPT hydraulic grease fitting



1-3/16" THRU 3" CONSTRUCTION



3-3/16" THRU 4-1/2" CONSTRUCTION

FEATURES/BENEFITS
PAGE B6-2

NOMENCLATURE
PAGE B6-4

SELECTION
PAGE B6-5

SELECTION/DIMENSIONS
PAGE B6-8

SELECTION/DIMENSIONS



Type E Flange Bearing - Inch 4-BOLT BASE

| GRAY IRON | | | |
|---------------------|-------------|------------|---------------------|
| SHAFT SIZE INCHES # | PART NUMBER | PART NAME | WEIGHT LBS (APPROX) |
| 1-3/16 | 023093 | F4B-E-103R | 4 |
| 1-1/4 | 023094 | F4B-E-104R | 4 |
| 1-3/8 | 023095 | F4B-E-106R | 7 |
| 1-7/16 | 023096 | F4B-E-107R | 7 |
| 1-1/2 | 023097 | F4B-E-108R | 11 |
| 1-5/8 | 023098 | F4B-E-110R | 11 |
| 1-11/16 | 023099 | F4B-E-111R | 11 |
| 1-3/4 | 023100 | F4B-E-112R | 12 |
| 1-7/8 | 023101 | F4B-E-114R | 12 |
| 1-15/16 | 023102 | F4B-E-115R | 12 |
| 2 | 023103 | F4B-E-200R | 12 |
| 2-3/16 | 023104 | F4B-E-203R | 15 |
| 2-1/4 | 023105 | F4B-E-204R | 21 |
| 2-7/16 | 023106 | F4B-E-207R | 20 |
| 2-1/2 | 023107 | F4B-E-208R | 19 |
| 2-11/16 | 023108 | F4B-E-211R | 28 |
| 2-3/4 | 023109 | F4B-E-212R | 28 |
| 2-15/16 | 023110 | F4B-E-215R | 27 |
| 3 | 023111 | F4B-E-300R | 26 |
| 3-3/16 | 023112 | F4B-E-303R | 52 |
| 3-1/4 | 023113 | F4B-E-304R | 51 |
| 3-7/16 | 023114 | F4B-E-307R | 50 |
| 3-1/2 | 023115 | F4B-E-308R | 50 |
| 3-15/16 | 023116 | F4B-E-315R | 75 |
| 4 | 023117 | F4B-E-400R | 75 |
| 4-7/16 | 023118 | F4B-E-407R | 90 |
| 4-1/2 | 023119 | F4B-E-408R | 90 |

Consult DODGE For Sizes Not Listed.

| SHAFT SIZE INCHES | A | B | C | D | E | F BOLT | H | J | L |
|-------------------|-------|--------|---------|-------|-------|--------|--------|---------|---------|
| 1-3/16 | 2-3/4 | 3-3/4 | 2-11/32 | 2-7/8 | 1/16 | 3/8 | 1 | 2-15/16 | 2-1/4 |
| 1-1/4 | | | | | | | | | |
| 1-3/8 | 3 | 4-5/8 | 2-19/32 | 3-1/2 | 1/16 | 1/2 | 1-1/16 | 3-1/2 | 2-3/4 |
| 1-7/16 | | | | | | | | | |
| 1-1/2 | 3-3/8 | 5-3/8 | 2-31/32 | 4-1/8 | 1/8 | 1/2 | 1-3/16 | 4-3/16 | 3-3/16 |
| 1-5/8 | | | | | | | | | |
| 1-11/16 | | | | | | | | | |
| 1-3/4 | 3-1/2 | 5-5/8 | 3-3/32 | 4-3/8 | 1/8 | 1/2 | 1-3/16 | 4-7/16 | 3-7/16 |
| 1-7/8 | | | | | | | | | |
| 1-15/16 | | | | | | | | | |
| 2 | | | | | | | | | |
| 2-3/16 | 3-3/4 | 6-1/4 | 3-9/32 | 4-7/8 | 1/8 | 5/8 | 1-3/8 | 4-7/8 | 3-3/4 |
| 2-1/4 | | | | | | | | | |
| 2-7/16 | 4 | 6-7/8 | 3-9/16 | 5-3/8 | 3/16 | 5/8 | 1-1/2 | 5-5/16 | 4-1/16 |
| 2-1/2 | | | | | | | | | |
| 2-11/16 | 4-1/2 | 7-3/4 | 3-15/16 | 6 | 3/16 | 3/4 | 1-5/8 | 6 | 4-23/32 |
| 2-3/4 | | | | | | | | | |
| 2-15/16 | | | | | | | | | |
| 3 | | | | | | | | | |
| 3-3/16 | 5 | 9-1/4 | 4-1/2 | 7 | 1/4 | 3/4 | 1-7/8 | 7-1/4 | 5-1/2 |
| 3-1/4 | | | | | | | | | |
| 3-7/16 | | | | | | | | | |
| 3-1/2 | | | | | | | | | |
| 3-15/16 | 6-1/4 | 10-1/4 | 5-5/8 | 7-3/4 | 1/4 | 7/8 | 2-1/8 | 8-1/4 | 6 |
| 4 | | | | | | | | | |
| 4-7/16 | 6-3/4 | 10-7/8 | 5-15/16 | 8-3/4 | 11/32 | 7/8 | 2-7/16 | 8-3/4 | 6-29/64 |
| 4-1/2 | | | | | | | | | |

NOTE: All sizes use a 1/8-27 NPT hydraulic grease fitting

| | | | |
|--------------------------------|---------------------------|------------------------|-----------------------------------|
| FEATURES/BENEFITS PAGE B6-2 | NOMENCLATURE PAGE B6-4 | SELECTION PAGE B6-5 | SELECTION/DIMENSIONS PAGE B6-8 |
|--------------------------------|---------------------------|------------------------|-----------------------------------|

SELECTION/DIMENSIONS



Type E Piloted Flange

D-LOK

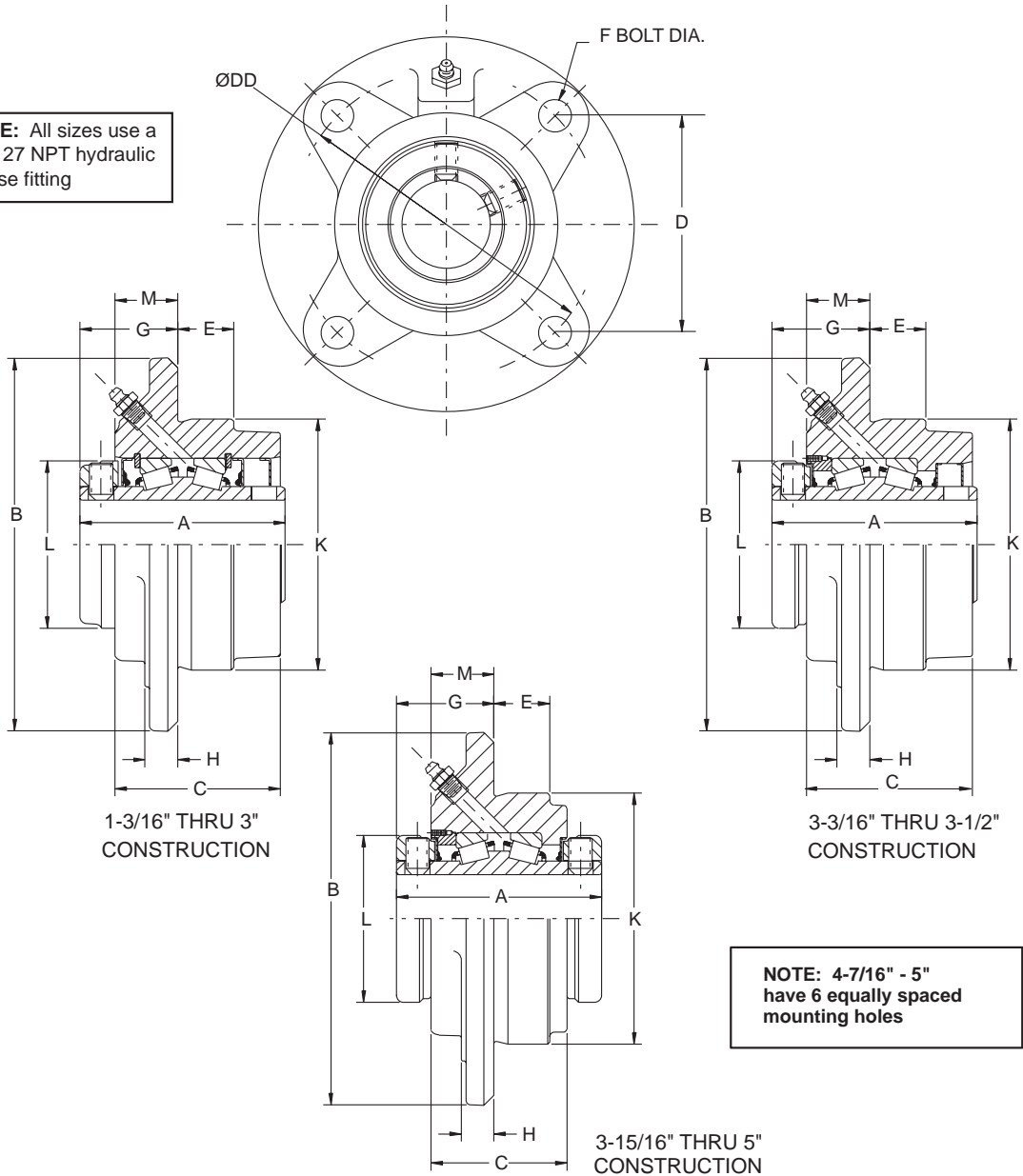
Type E Family

Specialty Tapered

S-2000

UNISPHERE II

NOTE: All sizes use a 1/8 - 27 NPT hydraulic grease fitting



NOTE: 4-7/16" - 5" have 6 equally spaced mounting holes

| | | | |
|--------------------------------|---------------------------|------------------------|-----------------------------------|
| FEATURES/BENEFITS PAGE B6-2 | NOMENCLATURE PAGE B6-4 | SELECTION PAGE B6-5 | SELECTION/DIMENSIONS PAGE B6-8 |
|--------------------------------|---------------------------|------------------------|-----------------------------------|

SELECTION/DIMENSIONS



Type E Piloted Flange

| GRAY IRON | | | |
|---------------------|-------------|-----------|---------------------|
| SHAFT SIZE INCHES # | PART NUMBER | PART NAME | WEIGHT LBS (APPROX) |
| 1-3/16 | 023120 | FC-E-103R | 5 |
| 1-1/4 | 023121 | FC-E-104R | 5 |
| 1-3/8 | 023122 | FC-E-106R | 7 |
| 1-7/16 | 023123 | FC-E-107R | 6 |
| 1-1/2 | 023124 | FC-E-108R | 10 |
| 1-5/8 | 023125 | FC-E-110R | 9 |
| 1-11/16 | 023126 | FC-E-111R | 9 |
| 1-3/4 | 023127 | FC-E-112R | 11 |
| 1-7/8 | 023128 | FC-E-114R | 10 |
| 1-15/16 | 023129 | FC-E-115R | 10 |
| 2 | 023130 | FC-E-200R | 10 |
| 2-3/16 | 023131 | FC-E-203R | 14 |
| 2-1/4 | 023132 | FC-E-204R | 18 |
| 2-7/16 | 023133 | FC-E-207R | 18 |
| 2-1/2 | 023134 | FC-E-208R | 17 |
| 2-11/16 | 023135 | FC-E-211R | 27 |
| 2-3/4 | 023136 | FC-E-212R | 27 |
| 2-15/16 | 023137 | FC-E-215R | 25 |
| 3 | 023138 | FC-E-300R | 25 |
| 3-3/16 | 023139 | FC-E-303R | 44 |
| 3-1/4 | 023140 | FC-E-304R | 44 |
| 3-7/16 | 023141 | FC-E-307R | 43 |
| 3-1/2 | 023142 | FC-E-308R | 42 |
| 3-15/16 | 023143 | FC-E-315R | 59 |
| 4 | 023144 | FC-E-400R | 58 |
| 4-7/16 ## | 023145 | FC-E-407R | 110 |
| 4-1/2 ## | 023146 | FC-E-408R | 110 |
| 4-15/16 ## | 023147 | FC-E-415R | 130 |
| 5 ## | 023148 | FC-E-500R | 130 |

Consult DODGE For Sizes Not Listed.

| SHAFT SIZE INCHES | A | B | C | D | ØDD | E | F BOLT# | G | H | K** | L | M |
|-------------------|-------|--------|---------|------|--------|--------|---------|---------|-------|--------|---------|---------|
| 1-3/16 | 2-3/4 | 5 | 2-7/32 | 2.92 | 4-1/8 | 3/4 | 3/8 | 1-5/16 | 7/16 | 3-3/8 | 2-1/4 | 27/32 |
| 1-1/4 | | | | | | | | | | | | |
| 1-3/8 | 3 | 5-1/4 | 2-15/32 | 3.09 | 4-3/8 | 7/8 | 3/8 | 1-1/2 | 1/2 | 3-5/8 | 2-3/4 | 1-1/32 |
| 1-7/16 | | | | | | | | | | | | |
| 1-1/2 | 3-3/8 | 6-1/8 | 2-25/32 | 3.62 | 5-1/8 | 1-1/16 | 7/16 | 1-9/16 | 1/2 | 4-1/4 | 3-3/16 | 1-1/32 |
| 1-5/8 | | | | | | | | | | | | |
| 1-11/16 | | | | | | | | | | | | |
| 1-3/4 | 3-1/2 | 6-3/8 | 2-29/32 | 3.80 | 5-3/8 | 1-3/16 | 7/16 | 1-9/16 | 9/16 | 4-1/2 | 3-7/16 | 1-1/32 |
| 1-7/8 | | | | | | | | | | | | |
| 1-15/16 | | | | | | | | | | | | |
| 2 | | | | | | | | | | | | |
| 2-3/16 | 3-3/4 | 7-1/8 | 3-3/32 | 4.24 | 6 | 1-3/16 | 1/2 | 1-11/16 | 9/16 | 5 | 3-3/4 | 1-3/32 |
| 2-1/4 | | | | | | | | | | | | |
| 2-7/16 | 4 | 7-5/8 | 3-5/16 | 4.60 | 6-1/2 | 1-5/16 | 1/2 | 1-13/16 | 5/8 | 5-1/2 | 4-1/16 | 1-3/16 |
| 2-1/2 | | | | | | | | | | | | |
| 2-11/16 | 4-1/2 | 8-3/4 | 3-11/16 | 5.30 | 7-1/2 | 1-1/2 | 5/8 | 2 | 3/4 | 6-3/8 | 4-23/32 | 1-1/4 |
| 2-3/4 | | | | | | | | | | | | |
| 2-15/16 | | | | | | | | | | | | |
| 3 | | | | | | | | | | | | |
| 3-3/16 | 5 | 10-1/4 | 4-3/16 | 6.10 | 8-5/8 | 1-1/4 | 3/4 | 2-7/16 | 15/16 | 7-3/8 | 5-1/2 | 1-11/16 |
| 3-1/4 | | | | | | | | | | | | |
| 3-7/16 | | | | | | | | | | | | |
| 3-1/2 | | | | | | | | | | | | |
| 3-15/16 | 6-1/4 | 10-7/8 | 4-1/2 | 6.63 | 9-3/8 | 1-1/2 | 3/4 | 2-11/16 | 1 | 8-1/8 | 6 | 1-13/16 |
| 4 | | | | | | | | | | | | |
| 4-7/16 | 6-3/4 | 13-1/2 | 4-5/8 | ## | 11-3/4 | 1-1/2 | 3/4## | 3 | 1 | 10-1/4 | 6-29/64 | 1-15/16 |
| 4-1/2 | | | | | | | | | | | | |
| 4-15/16 | 7-1/4 | 14-3/4 | 5-1/16 | ## | 12-3/4 | 1-3/4 | 7/8## | 2-31/32 | 1-1/4 | 11 | 7-29/64 | 1-7/8 |
| 5 | | | | | | | | | | | | |

* 1-3/16 To 3-1/2 - One Collar
3-15/16 To 5, - Two Collars

(6) BOTS EQUALLY SPACED
** +.000 -.002

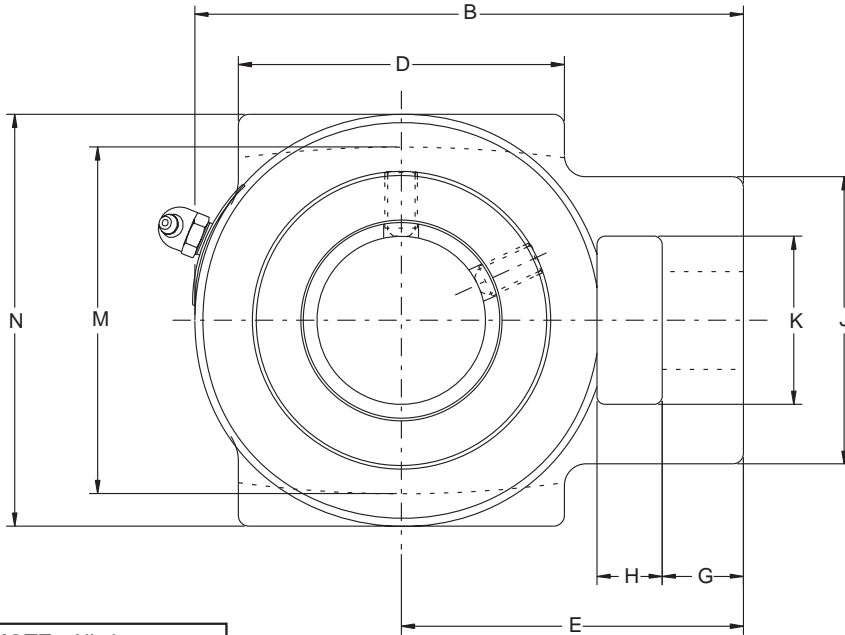
NOTE: All sizes use a 1/8-27 NPT hydraulic grease fitting

| | | | |
|--------------------------------|---------------------------|------------------------|-----------------------------------|
| FEATURES/BENEFITS PAGE B6-2 | NOMENCLATURE PAGE B6-4 | SELECTION PAGE B6-5 | SELECTION/DIMENSIONS PAGE B6-8 |
|--------------------------------|---------------------------|------------------------|-----------------------------------|

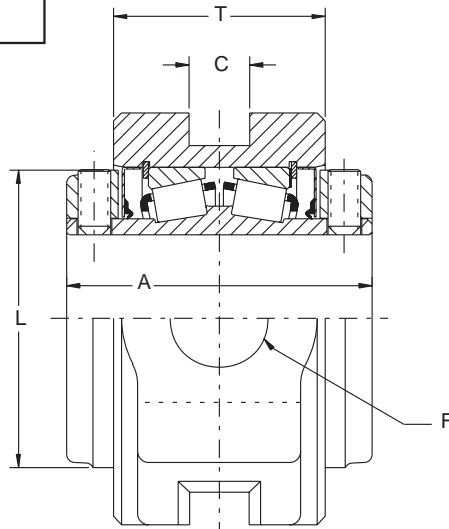
SELECTION/DIMENSIONS



Type E Wide Slot Take-Up Unit



NOTE: All sizes use a 1/8 - 27 NPT hydraulic grease fitting



1-3/8" THRU 3" CONSTRUCTION

FEATURES/BENEFITS
PAGE B6-2

NOMENCLATURE
PAGE B6-4

SELECTION
PAGE B6-5

SELECTION/DIMENSIONS
PAGE B6-8

SELECTION/DIMENSIONS



Type E Wide Slot Take-Up Unit

| GRAY IRON | | | | |
|------------------------|---------------|-------------|------------------------|------------|
| SHAFT SIZE # Inches | PART NUMBER | PART NAME | WEIGHT LBS (APPROX) | FRAME Δ |
| 1-3/8 | 023076 | WSTU-E-106R | 8 | CP308 |
| 1-7/16 | 023077 | WSTU-E-107R | 8 | |
| 1-1/2 | 023078 | WSTU-E-108R | 10 | CP400 |
| 1-5/8 | 023079 | WSTU-E-110R | 10 | |
| 1-11/16 | 023080 | WSTU-E-111R | 10 | |
| 1-3/4 | 023081 | WSTU-E-112R | 12 | CP400 |
| 1-7/8 | 023082 | WSTU-E-114R | 12 | |
| 1-15/16 | 023083 | WSTU-E-115R | 12 | |
| 2 | 023084 | WSTU-E-200R | 12 | |
| 2-3/16 | 023085 | WSTU-E-203R | 16 | CP408 |
| 2-1/4 | 023086 | WSTU-E-204R | 21 | CP502 |
| 2-7/16 | 023087 | WSTU-E-207R | 21 | |
| 2-1/2 | 023088 | WSTU-E-208R | 21 | |
| 2-11/16 | 023089 | WSTU-E-211R | 30 | CP515 |
| 2-3/4 | 023090 | WSTU-E-212R | 30 | |
| 2-15/16 | 023091 | WSTU-E-215R | 30 | |
| 3 | 023092 | WSTU-E-300R | 30 | |

Consult DODGE For Sizes Not Listed.

Δ See page B15-20 for CP Take-Up Frame

| SHAFT SIZE INCHES | A | B | C | D | E | F SCREW DIA | G | H | J | K | L | M | N | T |
|----------------------------------|-------|---------|---------|-------|---------|-------------------|--------|-------|--------|---------|---------|---------|-------|--------|
| 1-3/8 1-7/16 | 3 | 5-3/32 | 17/32 | 2-3/4 | 3-7/32 | 3/4 | 11/16 | 5/8 | 2-7/16 | 1-7/16 | 2-3/4 | 3-1/2 | 4-1/8 | 2-1/16 |
| 1-1/2 1-5/8 1-11/16 | 3-3/8 | 6 | 11/16 | 3-1/4 | 3-13/16 | 1 | 15/16 | 3/4 | 3-5/16 | 1-15/16 | 3-3/16 | 4 | 4-3/4 | 2-5/16 |
| 1-3/4 1-7/8 1-15/16 2 | 3-1/2 | 6-5/16 | 11/16 | 3-3/4 | 3-15/16 | 1 | 15/16 | 3/4 | 3-5/16 | 1-15/16 | 3-7/16 | 4 | 4-3/4 | 2-7/16 |
| 2-3/16 | 3-3/4 | 7-1/8 | 13/16 | 3-3/4 | 4-5/8 | 1-1/8 | 1 | 1-1/4 | 3-7/8 | 2-1/4 | 3-3/4 | 4-1/2 | 5-1/4 | 2-9/16 |
| 2-1/4 2-7/16 2-1/2 | 4 | 7-13/16 | 1-1/16 | 4-1/2 | 5-1/16 | 1-1/4 | 1-1/16 | 1-1/4 | 4-1/4 | 2-1/2 | 4-1/16 | 5-1/8 | 6 | 2-3/4 |
| 2-11/16 2-3/4 2-15/16 3 | 4-1/2 | 9-1/8 | 1-13/16 | 4-3/4 | 5-7/8 | 1-1/2 | 1-1/8 | 1-1/2 | 4-7/8 | 2-3/4 | 4-23/32 | 5-15/16 | 6-3/4 | 3 |

NOTE: All sizes use a 1/8-27 NPT hydraulic grease fitting

| | | | |
|--------------------------------|---------------------------|------------------------|-----------------------------------|
| FEATURES/BENEFITS PAGE B6-2 | NOMENCLATURE PAGE B6-4 | SELECTION PAGE B6-5 | SELECTION/DIMENSIONS PAGE B6-8 |
|--------------------------------|---------------------------|------------------------|-----------------------------------|



SELECTION/DIMENSIONS



Type E TP Take-Up Bearing - Inch

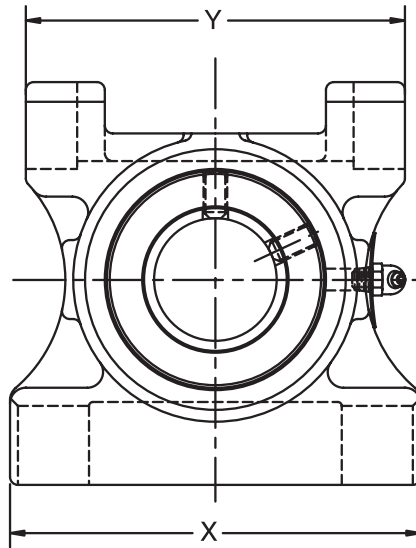
D-LOK

Type E Family

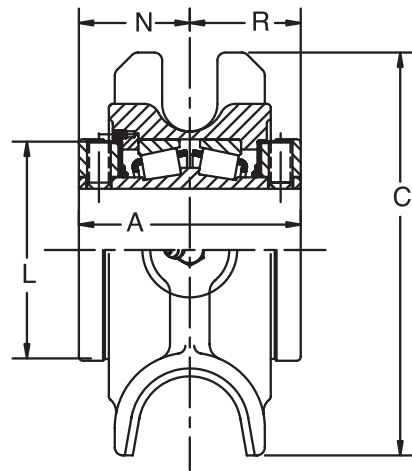
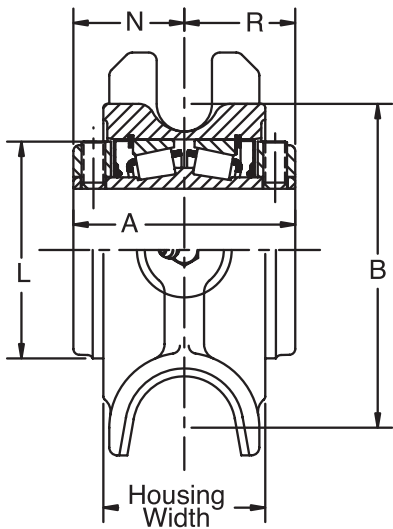
Specialty Tapered

S-2000

UNISPHERE II



NOTE: All sizes use a 1/8 - 27 NPT hydraulic grease fitting



| | | | |
|--------------------------------|---------------------------|------------------------|-----------------------------------|
| FEATURES/BENEFITS PAGE B6-2 | NOMENCLATURE PAGE B6-4 | SELECTION PAGE B6-5 | SELECTION/DIMENSIONS PAGE B6-8 |
|--------------------------------|---------------------------|------------------------|-----------------------------------|

SELECTION/DIMENSIONS



Type E TP Take-Up Bearing - Inch

| GRAY IRON | | | | |
|---------------------|---------------|-----------|---------------------|-----------------|
| SHAFT SIZE INCHES # | PART NUMBER | PART NAME | WEIGHT LBS (APPROX) | FRAME SIZE REF. |
| 1-3/4 | 023149 | TP-E-112R | 14 | TP10 |
| 1-7/8 | 023150 | TP-E-114R | 14 | TP10 |
| 1-15/16 | 023151 | TP-E-115R | 14 | TP10 |
| 2 | 023152 | TP-E-200R | 14 | TP10 |
| 2-3/16 | 023153 | TP-E-203R | 16 | TP20 |
| 2-1/4 | 023154 | TP-E-204R | 21 | TP30 |
| 2-7/16 | 023155 | TP-E-207R | 21 | TP30 |
| 2-1/2 | 023156 | TP-E-208R | 21 | TP30 |
| 2-11/16 | 023157 | TP-E-211R | 29 | TP40 |
| 2-3/4 | 023158 | TP-E-212R | 29 | TP40 |
| 2-15/16 | 023159 | TP-E-215R | 29 | TP40 |
| 3 | 023160 | TP-E-300R | 29 | TP40 |
| 3-3/16 | 023161 | TP-E-303R | 43 | TP50 |
| 3-1/4 | 023162 | TP-E-304R | 43 | TP50 |
| 3-7/16 | 023163 | TP-E-307R | 42 | TP50 |
| 3-1/2 | 023164 | TP-E-308R | 42 | TP50 |
| 3-15/16 | 023165 | TP-E-315R | 62 | TP60 |
| 4 | 023166 | TP-E-400R | 62 | TP60 |

Consult DODGE For Sizes Not Listed.

| Shaft Size | A | B | C | L | N | Housing Width | X | Y |
|------------------------------------|-------|---------|--------|---------|-------|---------------|-------|--------|
| 1-3/4 1-7/8 1-15/16 2 | 3-1/2 | 5-3/16 | 6-3/8 | 3-7/16 | 1-3/4 | 2-9/16 | 6-1/2 | 6 |
| 2-3/16 | 3-3/4 | 5-13/16 | 6-7/8 | 3-3/4 | 1-7/8 | 2-9/16 | 6-3/4 | 7 |
| 2-1/4 2-7/16 2-1/2 | 4 | 6-1/4 | 7-7/16 | 4-1/16 | 2 | 3 | 7-1/2 | 7 |
| 2-11/16 2-3/4 2-15/16 3 | 4-1/2 | 7-3/16 | 8-5/16 | 4-23/32 | 2-1/4 | 3 | 8-1/2 | 8 |
| 3-3/16 3-1/4 3-7/16 3-1/2 | 5 | 8-5/16 | 9-5/8 | 5-1/2 | 2-1/2 | 3-3/4 | 9-1/2 | 9 |
| 3-15/16 4 | 6-1/4 | 9-1/16 | 11 | 6 | 3-1/8 | 4-3/4 | 11 | 10-1/2 |

NOTE: All sizes use a 1/8-27 NPT hydraulic grease fitting

| | | | |
|--------------------------------|---------------------------|------------------------|-----------------------------------|
| FEATURES/BENEFITS PAGE B6-2 | NOMENCLATURE PAGE B6-4 | SELECTION PAGE B6-5 | SELECTION/DIMENSIONS PAGE B6-8 |
|--------------------------------|---------------------------|------------------------|-----------------------------------|

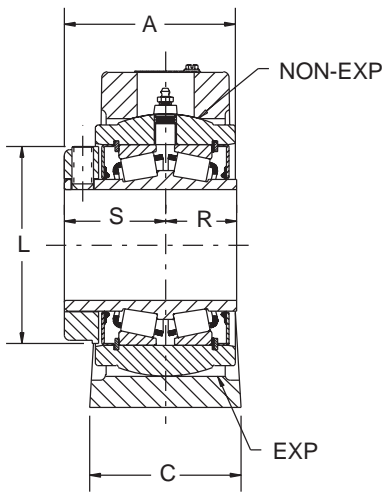
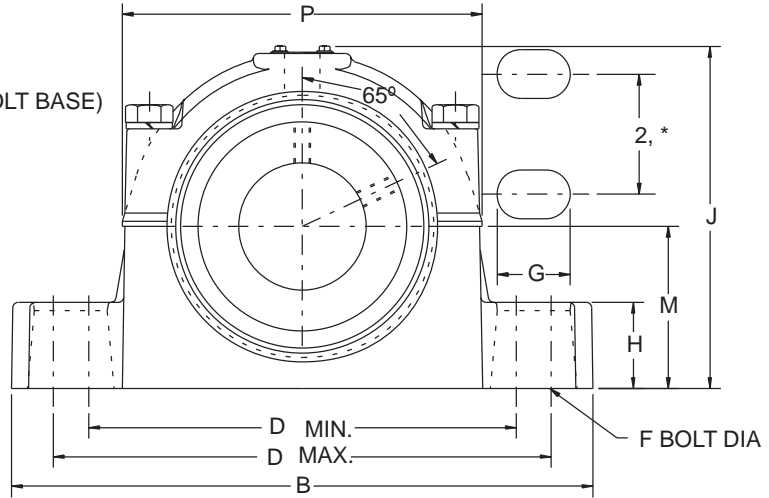
SELECTION/DIMENSIONS



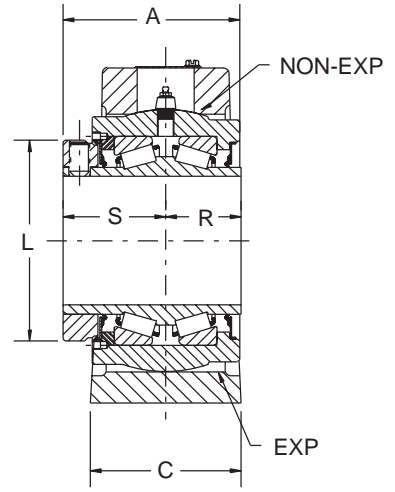
Type K Pillow Block 2 & 4 BOLT BASE - INCH*

- * 1-3/16 THRU 3-1/2 (2 BOLT BASE)
- * 3-15/16 (4 BOLT BASE)

NOTE: All sizes use a 1/8 - 27 NPT hydraulic grease fitting



1-3/16" THRU 3"
CONSTRUCTION



3-3/16" THRU 3-15/16"
CONSTRUCTION

D-LOK

Type E Family

Specialty Tapered

S-2000

UNISPHERE II

| | | | |
|--------------------------------|---------------------------|------------------------|-----------------------------------|
| FEATURES/BENEFITS PAGE B6-2 | NOMENCLATURE PAGE B6-4 | SELECTION PAGE B6-5 | SELECTION/DIMENSIONS PAGE B6-8 |
|--------------------------------|---------------------------|------------------------|-----------------------------------|

SELECTION/DIMENSIONS



Type K Pillow Block 2 & 4 BOLT BASE - INCH*

| GRAY IRON NON-EXPANSION | | | |
|-------------------------|-------------|------------|---------------------|
| SHAFT SIZE INCHES # | PART NUMBER | PART NAME | WEIGHT LBS (APPROX) |
| 1-3/16 | 023167 | P2B-K-103R | 9 |
| 1-1/4 | 023168 | P2B-K-104R | 9 |
| 1-7/16 | 023170 | P2B-K-107R | 11 |
| 1-1/2 | 023171 | P2B-K-108R | 15 |
| 1-5/8 | 023172 | P2B-K-110R | 14 |
| 1-11/16 | 023173 | P2B-K-111R | 14 |
| 1-3/4 | 023174 | P2B-K-112R | 20 |
| 1-15/16 | 023175 | P2B-K-115R | 19 |
| 2 | 023176 | P2B-K-200R | 19 |
| 2-3/16 | 023177 | P2B-K-203R | 24 |
| 2-1/4 | 023178 | P2B-K-204R | 28 |
| 2-7/16 | 023179 | P2B-K-207R | 28 |
| 2-1/2 | 023180 | P2B-K-208R | 28 |
| 2-11/16 | 023181 | P2B-K-211R | 40 |
| 2-3/4 | 023182 | P2B-K-212R | 40 |
| 2-15/16 | 023183 | P2B-K-215R | 39 |
| 3 | 023184 | P2B-K-300R | 39 |
| 3-7/16 | 023186 | P2B-K-307R | 67 |
| 3-1/2 | 023187 | P2B-K-308R | 66 |
| 3-15/16 ▲ | 023188 | P4B-K-315R | 106 |

| GRAY IRON EXPANSION | | | |
|---------------------|-------------|-------------|---------------------|
| SHAFT SIZE INCHES # | PART NUMBER | PART NAME | WEIGHT LBS (APPROX) |
| 1-3/16 | 023189 | P2B-K-103RE | 9 |
| 1-1/4 | 023190 | P2B-K-104RE | 9 |
| 1-7/16 | 023192 | P2B-K-107RE | 11 |
| 1-1/2 | 023193 | P2B-K-108RE | 15 |
| 1-5/8 | 023194 | P2B-K-110RE | 14 |
| 1-11/16 | 023195 | P2B-K-111RE | 14 |
| 1-3/4 | 023196 | P2B-K-112RE | 20 |
| 1-15/16 | 023197 | P2B-K-115RE | 19 |
| 2 | 023198 | P2B-K-200RE | 19 |
| 2-3/16 | 023199 | P2B-K-203RE | 24 |
| 2-1/4 | 023200 | P2B-K-204RE | 28 |
| 2-7/16 | 023201 | P2B-K-207RE | 28 |
| 2-1/2 | 023200 | P2B-K-208RE | 28 |
| 2-11/16 | 023203 | P2B-K-211RE | 40 |
| 2-3/4 | 023204 | P2B-K-212RE | 40 |
| 2-15/16 | 023205 | P2B-K-215RE | 39 |
| 3 | 023206 | P2B-K-300RE | 39 |
| 3-7/16 | 023208 | P2B-K-307RE | 67 |
| 3-1/2 | 023209 | P2B-K-308RE | 66 |
| 3-15/16 ▲ | 023210 | P4B-K-315RE | 106 |

Non-Expansion Furnished Unless Otherwise Specified
Consult DODGE For Sizes Not Listed

Consult DODGE For Sizes Not Listed

| SHAFT SIZE INCHES | A | B | C | D | | F BOLT DIA | G | H | J | L | M | P | R | S | EXP* |
|-------------------|---------|---------|---------|----------|----------|------------|---------|-------|----------|---------|-------|----------|---------|---------|-------|
| | | | | MIN. | MAX. | | | | | | | | | | |
| 1-3/16 | | | | | | | | | | | | | | | |
| 1-1/4 | 2-9/32 | 7-1/2 | 1-7/8 | 6 | 6-3/8 | 3/8 | 11/16 | 1 | 4-17/32 | 2-1/4 | 2-1/8 | 5 | 1 | 1-3/8 | 3/32 |
| 1-3/8 | | | | | | | | | | | | | | | |
| 1-7/16 | 2-35/64 | 8 | 2-3/16 | 6-1/4 | 6-5/8 | 1/2 | 3/4 | 1-1/4 | 5-15/64 | 2-3/4 | 2-3/8 | 5-33/64 | 1-1/32 | 1-1/2 | 3/32 |
| 1-1/2 | | | | | | | | | | | | | | | |
| 1-5/8 | 2-53/64 | 9 | 2-3/8 | 6-7/8 | 7-5/8 | 1/2 | 1 | 1-3/8 | 5-3/4 | 3-3/16 | 2-5/8 | 5-13/16 | 1-9/16 | 1-11/16 | 3/32 |
| 1-11/16 | | | | | | | | | | | | | | | |
| 1-3/4 | | | | | | | | | | | | | | | |
| 1-15/16 | 2-61/64 | 10 | 2-17/32 | 7-3/8 | 8-7/16 | 5/8 | 1-19/64 | 1-1/2 | 6-17/64 | 3-7/16 | 2-7/8 | 6-23/64 | 1-13/64 | 1-3/4 | 9/32 |
| 2 | | | | | | | | | | | | | | | |
| 2-3/16 | 3-5/32 | 11 | 2-21/32 | 8-1/16 | 9-1/4 | 5/8 | 1-21/64 | 1-1/2 | 6-33/64 | 3-3/4 | 3 | 6-61/64 | 1-1/4 | 1-7/8 | 9/32 |
| 2-1/4 | | | | | | | | | | | | | | | |
| 2-7/16 | 3-11/32 | 12 | 2-13/16 | 9-1/4 | 10-1/4 | 5/8 | 1-17/64 | 1-3/4 | 7-1/32 | 4-1/16 | 3-1/4 | 7-3/8 | 1-5/16 | 2 | 9/32 |
| 2-1/2 | | | | | | | | | | | | | | | |
| 2-11/16 | | | | | | | | | | | | | | | |
| 2-3/4 | 3-25/32 | 13-7/16 | 2-15/16 | 9-7/8 | 11-1/2 | 3/4 | 1-11/16 | 2 | 7-59/64 | 4-23/32 | 3-3/4 | 8-5/16 | 1-7/16 | 2-1/4 | 9/32 |
| 2-15/16 | | | | | | | | | | | | | | | |
| 3 | | | | | | | | | | | | | | | |
| 3-3/16 | | | | | | | | | | | | | | | |
| 3-7/16 | 4-17/64 | 16 | 3-7/16 | 12-13/16 | 13-13/16 | 7/8 | 1-1/2 | 2-1/4 | 9-27/64 | 5-1/2 | 4-1/2 | 10-3/32 | 1-11/16 | 2-1/2 | 9/32 |
| 3-1/2 | | | | | | | | | | | | | | | |
| 3-15/16▲ | 5-13/32 | 17-7/16 | 4-3/4 | 13-1/8 | 14-3/4 | 3/4 | 1-45/64 | 2-3/4 | 10-27/64 | 6 | 5 | 10-45/64 | 2-1/8 | 3-1/8 | 11/32 |

*Exp-Total Expansion Divided Equally On Both Sides Of Bearing (Expansion Bearings Only)

NOTE: All sizes use a 1/8-27 NPT hydraulic grease fitting

▲ 4 Bolt Base (See Page For Bolts Spacing)

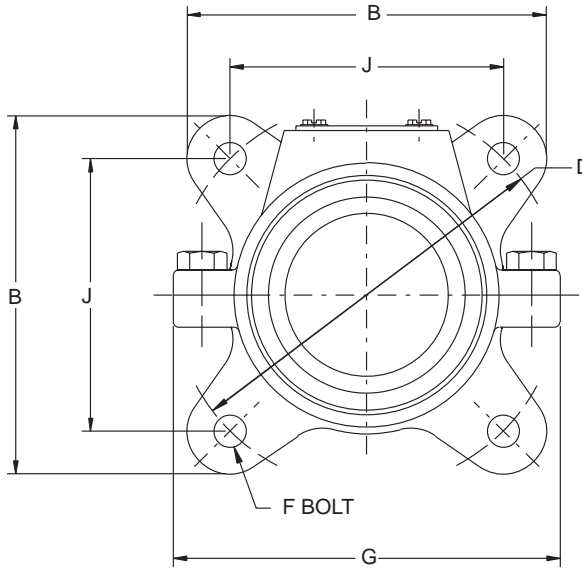
Dowel Hole Locations For Precision Positioning - See Page -

| | | | |
|--------------------------------|---------------------------|------------------------|-----------------------------------|
| FEATURES/BENEFITS PAGE B6-2 | NOMENCLATURE PAGE B6-4 | SELECTION PAGE B6-5 | SELECTION/DIMENSIONS PAGE B6-8 |
|--------------------------------|---------------------------|------------------------|-----------------------------------|

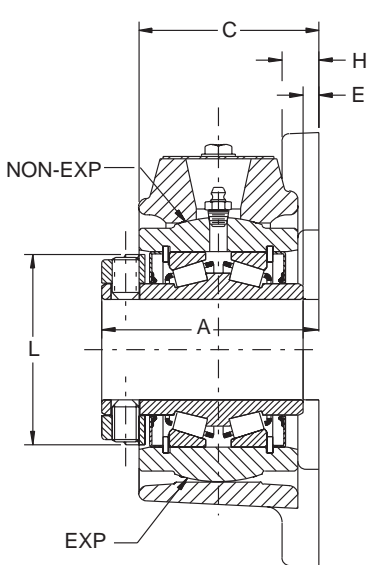
SELECTION/DIMENSIONS



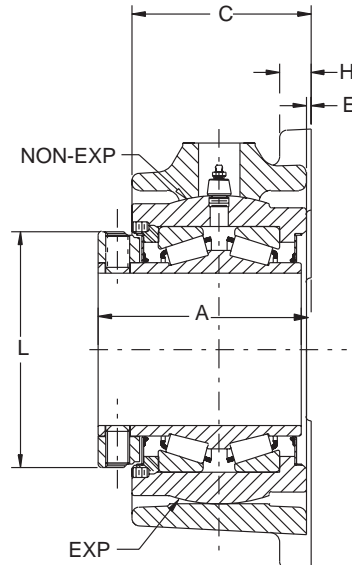
Type K Flange Bearing - Inch



NOTE: All sizes use a 1/8 - 27 NPT hydraulic grease fitting



1-3/16" THRU 3" INTERNAL CONSTRUCTION



3-3/16" THRU 3-15/16" INTERNAL CONSTRUCTION

FEATURES/BENEFITS
PAGE B6-2

NOMENCLATURE
PAGE B6-4

SELECTION
PAGE B6-5

SELECTION/DIMENSIONS
PAGE B6-8

SELECTION/DIMENSIONS



Type K Flange Bearing - Inch

| DUCTILE IRON - NON-EXPANSION | | | |
|------------------------------|-------------|------------|---------------------|
| SHAFT SIZE INCHES # | PART NUMBER | PART NAME | WEIGHT LBS (APPROX) |
| 1-1/4 | 023212 | F4B-K-104R | 6 |
| 1-7/16 | 023214 | F4B-K-107R | 7 |
| 1-1/2 | 023215 | F4B-K-108R | 12 |
| 1-15/16 | 023219 | F4B-K-115R | 14 |
| 2 | 023220 | F4B-K-200R | 14 |
| 2-3/16 | 023221 | F4B-K-203R | 17 |
| 2-7/16 | 023223 | F4B-K-207R | 20 |
| 2-1/2 | 023224 | F4B-K-208R | 20 |
| 2-15/16 | 023227 | F4B-K-215R | 24 |
| 3 | 023228 | F4B-K-300R | 24 |
| 3-7/16 | 023230 | F4B-K-307R | 45 |
| 3-15/16 | 023232 | F4B-K-315R | 72 |

Non-Expansion Furnished Unless Otherwise Specified

Consult DODGE For Sizes Not Listed.

| DUCTILE IRON - EXPANSION | | | |
|--------------------------|-------------|-------------|---------------------|
| SHAFT SIZE INCHES # | PART NUMBER | PART NAME | WEIGHT LBS (APPROX) |
| 1-1/4 | 023234 | F4B-K-104RE | 6 |
| 1-7/16 | 023236 | F4B-K-107RE | 7 |
| 1-1/2 | 023237 | F4B-K-108RE | 12 |
| 1-15/16 | 023241 | F4B-K-115RE | 14 |
| 2 | 023242 | F4B-K-200RE | 14 |
| 2-3/16 | 023243 | F4B-K-203RE | 17 |
| 2-7/16 | 023245 | F4B-K-207RE | 20 |
| 2-1/2 | 023246 | F4B-K-208RE | 20 |
| 2-15/16 | 023249 | F4B-K-215RE | 24 |
| 3 | 023250 | F4B-K-300RE | 24 |
| 3-7/16 | 023252 | F4B-K-307RE | 45 |
| 3-15/16 | 023254 | F4B-K-315RE | 72 |

Consult DODGE For Sizes Not Listed.

| SHAFT SIZE INCHES | A | B | C | D | E | F Bolt Dia. | G | H | J | L | EXP* |
|-------------------|---------|---------|---------|---------|------|-------------|---------|-------|---------|---------|------|
| 1-3/16 | | | | | | | | | | | |
| 1-1/4 | 2-9/16 | 5-3/16 | 2-1/8 | 5-21/32 | 3/16 | 3/8 | 5-1/4 | 7/16 | 4 | 2-1/4 | 9/32 |
| 1-3/8 | | | | | | | | | | | |
| 1-7/16 | 2-11/16 | 5-3/4 | 2-1/8 | 6-1/4 | 5/32 | 1/2 | 5-3/4 | 1/2 | 4-27/64 | 2-3/4 | 3/16 |
| 1-1/2 | | | | | | | | | | | |
| 1-5/8 | 3 | 6-1/8 | 2-7/16 | 6-3/4 | 5/32 | 1/2 | 6-3/4 | 1/2 | 4-25/32 | 3-3/16 | 3/16 |
| 1-11/16 | | | | | | | | | | | |
| 1-3/4 | | | | | | | | | | | |
| 1-15/16 | 3-1/8 | 6-7/8 | 2-9/16 | 7-1/2 | 5/32 | 5/8 | 7-1/4 | 9/16 | 5-5/16 | 3-7/16 | 3/16 |
| 2 | | | | | | | | | | | |
| 2-3/16 | 3-5/16 | 7-3/16 | 2-23/32 | 8 | 5/32 | 5/8 | 7-13/16 | 9/16 | 5-21/32 | 3-3/4 | 3/16 |
| 2-1/4 | | | | | | | | | | | |
| 2-7/16 | 3-9/16 | 7-5/8 | 2-59/64 | 8-1/2 | 1/4 | 5/8 | 8-9/16 | 5/8 | 6 | 4-1/16 | 5/16 |
| 2-1/2 | | | | | | | | | | | |
| 2-11/16 | | | | | | | | | | | |
| 2-3/4 | 4 | 8-7/8 | 3-11/32 | 9-3/4 | 1/4 | 3/4 | 9-1/2 | 11/16 | 6-57/64 | 4-23/32 | 5/16 |
| 2-15/16 | | | | | | | | | | | |
| 3 | | | | | | | | | | | |
| 3-3/16 | | | | | | | | | | | |
| 3-7/16 | 4-1/2 | 10-1/4 | 3-23/32 | 11-1/2 | 1/4 | 7/8 | 11-3/8 | 3/4 | 8-1/8 | 5-1/2 | 5/16 |
| 3-1/2 | | | | | | | | | | | |
| 3-15/16 | 5-1/2 | 11-7/16 | 4-5/8 | 13 | 1/8 | 1 | 12-7/8 | 13/16 | 9-3/16 | 6 | 5/16 |

* ExpTotal Expansion Divided Equally On Both Sides Of Bearing (Expansion Bearings Only)

NOTE: All sizes use a 1/8-27 NPT hydraulic grease fitting

| | | | |
|--------------------------------|---------------------------|------------------------|-----------------------------------|
| FEATURES/BENEFITS PAGE B6-2 | NOMENCLATURE PAGE B6-4 | SELECTION PAGE B6-5 | SELECTION/DIMENSIONS PAGE B6-8 |
|--------------------------------|---------------------------|------------------------|-----------------------------------|

SELECTION/DIMENSIONS



Type K Units - Inch

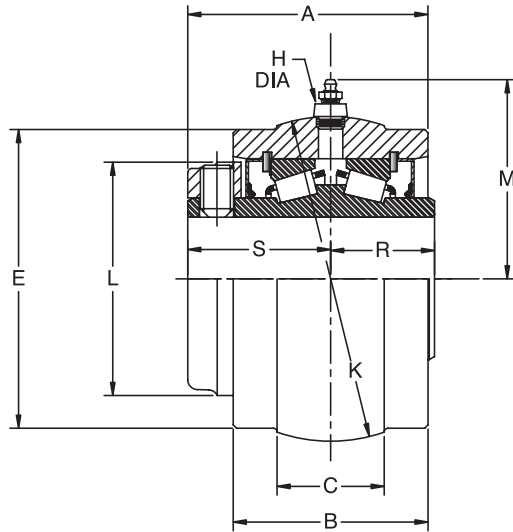
D-LOK

Type E Family

Specialty Tapered

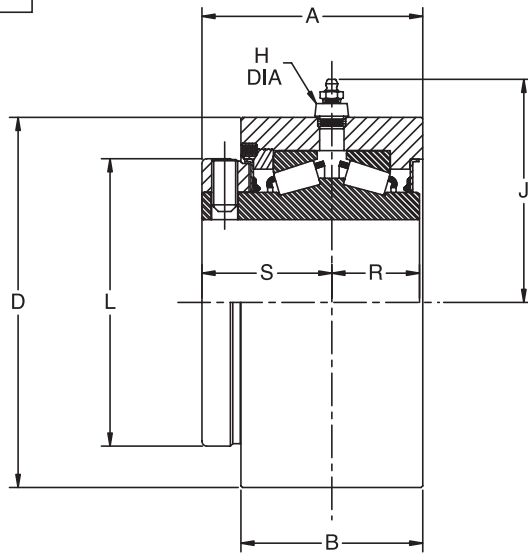
S-2000

UNISPHERE II



S-1 UNIT
1-3/16" THRU 3" CONSTRUCTION

NOTE: All sizes use a 1/8 - 27 NPT hydraulic grease fitting



B-1 UNIT
3-3/16" THRU 3-15/16" CONSTRUCTION

| | | | |
|--------------------------------|---------------------------|------------------------|-----------------------------------|
| FEATURES/BENEFITS PAGE B6-2 | NOMENCLATURE PAGE B6-4 | SELECTION PAGE B6-5 | SELECTION/DIMENSIONS PAGE B6-8 |
|--------------------------------|---------------------------|------------------------|-----------------------------------|

SELECTION/DIMENSIONS



Type K Units - Inch

| TYPE S-1 UNITS -- GRAY IRON | | | |
|-----------------------------|-------------|------------|---------------------|
| SHAFT SIZE INCHES # | PART NUMBER | PART NAME | WEIGHT LBS (APPROX) |
| 1-3/16 | 023271 | S1U-K-103R | 3 |
| 1-1/4 | 023272 | S1U-K-104R | 3 |
| 1-3/8 | 023273 | S1U-K-106R | 4 |
| 1-7/16 | 023274 | S1U-K-107R | 4 |
| 1-1/2 | 023275 | S1U-K-108R | 5 |
| 1-5/8 | 023276 | S1U-K-110R | 5 |
| 1-11/16 | 023277 | S1U-K-111R | 5 |
| 1-3/4 | 023278 | S1U-K-112R | 7 |
| 1-15/16 | 023279 | S1U-K-115R | 7 |
| 2 | 023280 | S1U-K-200R | 7 |
| 2-3/16 | 023281 | S1U-K-203R | 9 |
| 2-1/4 | 023282 | S1U-K-204R | 11 |
| 2-7/16 | 023283 | S1U-K-207R | 11 |
| 2-1/2 | 023284 | S1U-K-208R | 11 |
| 2-11/16 | 023285 | S1U-K-211R | 15 |
| 2-3/4 | 023286 | S1U-K-212R | 15 |
| 2-15/16 | 023287 | S1U-K-215R | 15 |
| 3 | 023288 | S1U-K-300R | 15 |
| 3-3/16 | 023289 | S1U-K-303R | 28 |
| 3-7/16 | 023290 | S1U-K-307R | 28 |
| 3-1/2 | 023291 | S1U-K-308R | 28 |
| 3-15/16 | 023292 | S1U-K-315R | 40 |

Consult DODGE For Sizes Not Listed.

| TYPE B-1 UNITS -- GRAY IRON | | | |
|-----------------------------|-------------|------------|---------------------|
| SHAFT SIZE INCHES # | PART NUMBER | PART NAME | WEIGHT LBS (APPROX) |
| 1-3/16 | ----- | B1U-K-103R | 3 |
| 1-1/4 | ----- | B1U-K-104R | 3 |
| 1-3/8 | 023293 | B1U-K-106R | 4 |
| 1-7/16 | 023294 | B1U-K-107R | 4 |
| 1-1/2 | 023295 | B1U-K-108R | 5 |
| 1-5/8 | 023296 | B1U-K-110R | 5 |
| 1-11/16 | 023297 | B1U-K-111R | 5 |
| 1-3/4 | 023298 | B1U-K-112R | 7 |
| 1-15/16 | 023299 | B1U-K-115R | 7 |
| 2 | 023300 | B1U-K-200R | 7 |
| 2-3/16 | 023301 | B1U-K-203R | 9 |
| 2-1/4 | 023302 | B1U-K-204R | 11 |
| 2-7/16 | 023303 | B1U-K-207R | 11 |
| 2-1/2 | 023304 | B1U-K-208R | 11 |
| 2-11/16 | 023305 | B1U-K-211R | 15 |
| 2-3/4 | 023306 | B1U-K-212R | 15 |
| 2-15/16 | 023307 | B1U-K-215R | 15 |
| 3 | 023308 | B1U-K-300R | 15 |
| 3-3/16 | 023309 | B1U-K-303R | 28 |
| 3-7/16 | 023310 | B1U-K-307R | 28 |
| 3-1/2 | 023311 | B1U-K-308R | 28 |
| 3-15/16 | 023312 | B1U-K-315R | 40 |

Consult DODGE For Sizes Not Listed.

| SHAFT SIZE INCHES | A | B | C | D * | E% | | H | J | K ** | L | M | R | S |
|-------------------|---------|--------|--------|---------|--------------|-----------|-------|--------|-------|---------|---------|---------|---------|
| | | | | | MACHINE SIDE | CAST SIDE | | | | | | | |
| 1-3/16 | | | | | | | | | | | | | |
| 1-1/4 | 2-5/16 | 1-7/8 | 1-1/32 | ---- | 2.813 | 3-1/8 | 7/16 | ---- | 3.125 | 2-1/4 | 2-1/32 | 1 | 1-3/8 |
| 1-3/8 | | | | | | | | | | | | | |
| 1-7/16 | 2-17/32 | 2-1/16 | 1-5/32 | 3-7/16 | 3.250 | 3-5/16 | 11/16 | 2-5/8 | 3.625 | 2-3/4 | 2-5/8 | 1-1/32 | 1-1/2 |
| 1-1/2 | | | | | | | | | | | | | |
| 1-5/8 | 2-27/32 | 2-5/16 | 1-3/16 | 3-15/16 | 3.750 | 3-13/16 | 11/16 | 2-7/8 | 4.125 | 3-3/16 | 2-13/16 | 1-5/32 | 1-11/16 |
| 1-11/16 | | | | | | | | | | | | | |
| 1-3/4 | | | | | | | | | | | | | |
| 1-15/16 | 2-31/32 | 2-7/16 | 1-1/2 | 4-1/4 | 4.125 | 4-3/16 | 11/16 | 3 | 4.562 | 3-7/16 | 3-1/16 | 1-13/64 | 1-3/4 |
| 2 | | | | | | | | | | | | | |
| 2-3/16 | 3-5/32 | 2-9/16 | 1-9/16 | 4-5/8 | 4.500 | 4-9/16 | 11/16 | 3-1/4 | 5.000 | 3-3/4 | 3-1/4 | 1-1/4 | 1-7/8 |
| 2-1/4 | | | | | | | | | | | | | |
| 2-7/16 | 3-3/8 | 2-3/4 | 1-7/16 | 5 | 4.812 | 4-7/8 | 11/16 | 3-7/16 | 5.186 | 4-1/16 | 3-3/8 | 1-5/16 | 2 |
| 2-1/2 | | | | | | | | | | | | | |
| 2-11/16 | | | | | | | | | | | | | |
| 2-3/4 | 3-3/4 | 3 | 1-7/8 | 5-7/8 | 5.563 | 5-5/8 | 11/16 | 3-7/8 | 6.061 | 4-23/32 | 3-13/16 | 1-7/16 | 2-1/4 |
| 2-15/16 | | | | | | | | | | | | | |
| 3 | | | | | | | | | | | | | |
| 3-3/16 | | | | | | | | | | | | | |
| 3-7/16 | 4-1/4 | 3-1/2 | 2 | 7-1/8 | 6.813 | 6-7/8 | 11/16 | 4-1/2 | 7.373 | 5-1/2 | 4-1/2 | 1-11/16 | 2-1/2 |
| 3-1/2 | | | | | | | | | | | | | |
| 3-15/16 | 5-3/8 | 4-1/2 | 2-3/8 | 7-7/8 | 7.438 | 7-1/2 | 15/16 | 5-1/2 | 7.997 | 6 | 5-5/32 | 2-1/8 | 3-1/8 |

* +.000 -.002,"

** +.000 -.001 SIZES 1-3/16 THRU 3,"

±.0005, SIZES 3-3/16 THRU 3-15/16,"

ALL DIMENSIONS SHOWN IN INCHES

% Machined side of unit is on collar side only.

NOTE: All sizes use a 1/8-27 NPT hydraulic grease fitting

| | | | |
|--------------------------------|---------------------------|------------------------|-----------------------------------|
| FEATURES/BENEFITS PAGE B6-2 | NOMENCLATURE PAGE B6-4 | SELECTION PAGE B6-5 | SELECTION/DIMENSIONS PAGE B6-8 |
|--------------------------------|---------------------------|------------------------|-----------------------------------|



SELECTION/DIMENSIONS



Type K Wide Slot Take-Up Unit - Inch

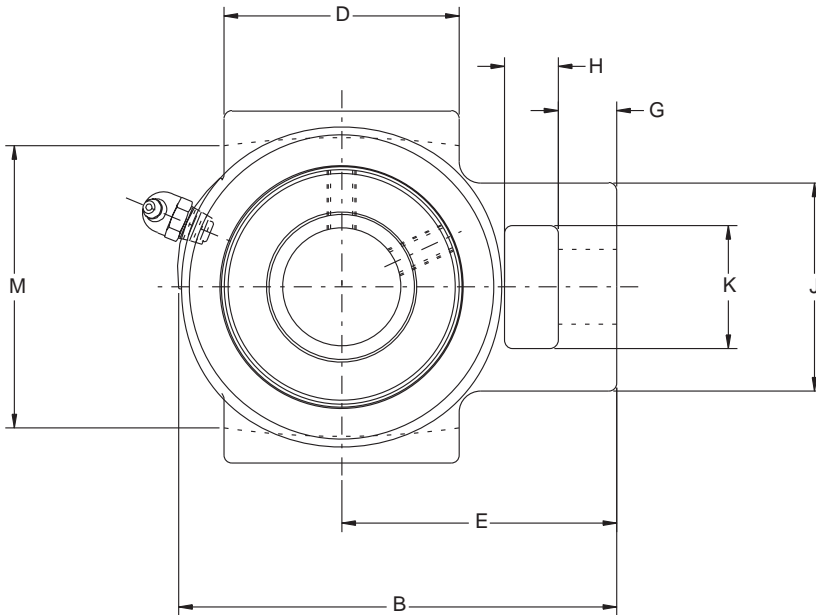
D-LOK

Type E Family

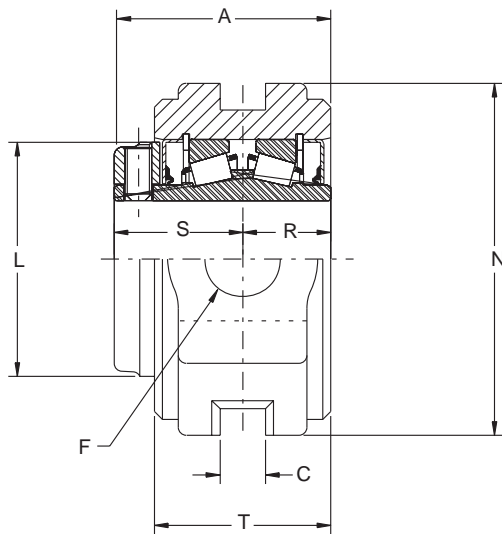
Specialty Tapered

S-2000

UNISPHERE II



NOTE: All sizes use a 1/8 - 27 NPT hydraulic grease fitting



1-3/8" THRU 3" CONSTRUCTION

| | | | |
|--------------------------------|---------------------------|------------------------|-----------------------------------|
| FEATURES/BENEFITS PAGE B6-2 | NOMENCLATURE PAGE B6-4 | SELECTION PAGE B6-5 | SELECTION/DIMENSIONS PAGE B6-8 |
|--------------------------------|---------------------------|------------------------|-----------------------------------|

SELECTION/DIMENSIONS



Type K Wide Slot Take-Up Unit - Inch

| GRAY IRON | | | | |
|---------------------|-------------|-------------|---------------------|---------------|
| SHAFT SIZE INCHES # | PART NUMBER | PART NAME | WEIGHT LBS (APPROX) | CP FRAME SIZE |
| 1-7/16 | 023256 | WSTU-K-107R | 8 | CP308 |
| 1-15/16 | 023261 | WSTU-K-115R | 11 | CP400 |
| 2-3/16 | 023263 | WSTU-K-203R | 15 | CP408 |
| 2-7/16 | 023265 | WSTU-K-207R | 20 | CP502 |
| 2-1/2 | 023266 | WSTU-K-208R | 20 | |
| 2-15/16 | 023269 | WSTU-K-215R | 28 | CP515 |
| 3 | 023270 | WSTU-K-300R | 28 | |

Consult DODGE For Sizes Not Listed.

| SHAFT SIZE Inches | A | B | C | D | E | F SCREW DIA | G | H | J | K | L | M | N | R | S | T |
|-------------------|---------|---------|---------|-------|---------|-------------|--------|-------|--------|---------|---------|---------|-------|---------|-------|--------|
| 1-7/16 | 2-17/32 | 5-3/32 | 17/32 | 2-3/4 | 3-7/32 | 3/4 | 11/16 | 5/8 | 2-7/16 | 1-7/16 | 2-3/4 | 3-1/2 | 4-1/8 | 1-1/32 | 1-1/2 | 2-1/16 |
| 1-15/16 | 2-31/32 | 6-5/16 | 11/16 | 3-3/4 | 3-15/16 | 1 | 15/16 | 3/4 | 3-5/16 | 1-15/16 | 3-7/16 | 4 | 4-3/4 | 1-13/64 | 1-3/4 | 2-7/16 |
| 2-3/16 | 3-5/32 | 7-1/8 | 13/16 | 3-3/4 | 4-5/8 | 1-1/8 | 1 | 1-1/4 | 3-7/8 | 2-1/4 | 3-3/4 | 4-1/2 | 5-1/4 | 1-1/4 | 1-7/8 | 2-9/16 |
| 2-7/16 | 3-3/8 | 7-13/16 | 1-1/16 | 4-1/2 | 5-1/16 | 1-1/2 | 1-1/16 | 1-1/4 | 4-1/4 | 2-1/2 | 4-1/16 | 5-1/8 | 6 | 1-5/16 | 2 | 2-3/4 |
| 2-1/2 | | | | | | | | | | | | | | | | |
| 2-15/16 | 3-3/4 | 9-1/8 | 1-13/16 | 4-3/4 | 5-7/8 | 1-1/2 | 1-3/8 | 1-1/2 | 4-7/8 | 2-3/4 | 4-23/32 | 5-15/16 | 6-3/4 | 1-7/16 | 2-1/4 | 3 |

NOTE: All sizes use a 1/8-27 NPT hydraulic grease fitting

| | | | |
|--------------------------------|---------------------------|------------------------|-----------------------------------|
| FEATURES/BENEFITS PAGE B6-2 | NOMENCLATURE PAGE B6-4 | SELECTION PAGE B6-5 | SELECTION/DIMENSIONS PAGE B6-8 |
|--------------------------------|---------------------------|------------------------|-----------------------------------|

SELECTION/DIMENSIONS



Type K TP Take-Up Bearing - Inch

D-LOK

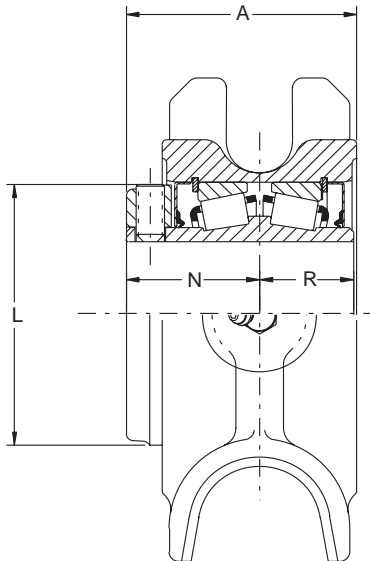
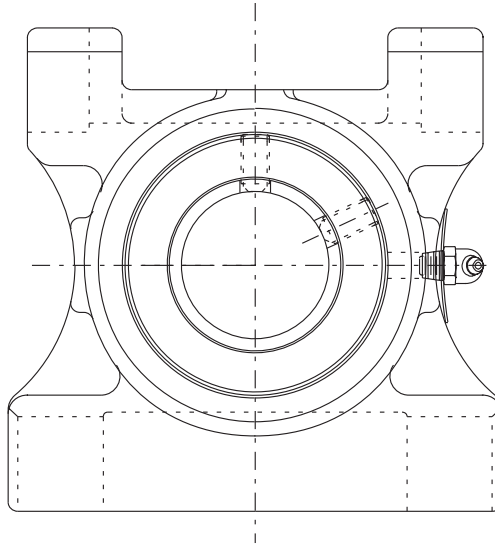
Type E Family

Specialty Tapered

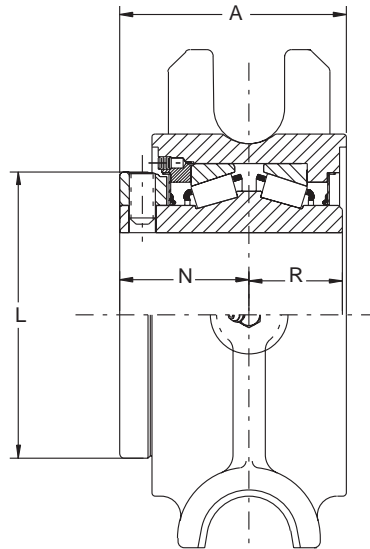
S-2000

UNISPHERE II

NOTE: All sizes use a 1/8 - 27 NPT hydraulic grease fitting



1-3/16" THRU 3" INTERNAL CONSTRUCTION



3-3/16" THRU 3-15/16" INTERNAL CONSTRUCTION

| | | | |
|--------------------------------|---------------------------|------------------------|-----------------------------------|
| FEATURES/BENEFITS PAGE B6-2 | NOMENCLATURE PAGE B6-4 | SELECTION PAGE B6-5 | SELECTION/DIMENSIONS PAGE B6-8 |
|--------------------------------|---------------------------|------------------------|-----------------------------------|

SELECTION/DIMENSIONS



Type K TP Take-Up Bearing - Inch

| GRAY IRON | | | |
|---------------------|---------------|-----------|---------------------|
| SHAFT SIZE INCHES # | PART NUMBER | PART NAME | WEIGHT LBS (APPROX) |
| 1-15/16 | 023314 | TP-K-115R | 13 |
| 2-3/16 | 023316 | TP-K-203R | 16 |
| 2-7/16 | 023318 | TP-K-207R | 20 |
| 2-15/16 | 023322 | TP-K-215R | 27 |
| 3-7/16 | 023325 | TP-K-307R | 40 |
| 3-15/16 | 023327 | TP-K-315R | 59 |

Consult DODGE For Sizes Not Listed.

| SHAFT SIZE INCHES | FRAME SIZE REF. | A | L | N | R |
|-------------------|-----------------|--------|---------|---------|---------|
| 1-15/16 | TP10 | 3-1/32 | 3-7/16 | 1-3/4 | 1-7/32 |
| 2-3/16 | TP20 | 3-3/16 | 3-3/4 | 1-7/8 | 1-1/4 |
| 2-7/16 | TP30 | 3-1/2 | 4-1/16 | 2 | 1-5/16 |
| 2-15/16 | TP40 | 3-3/4 | 4-23/32 | 2-1/4 | 1-7/16 |
| 3-7/16 | TP50 | 4-9/32 | 5-1/2 | 2-13/32 | 1-25/32 |
| 3-15/16 | TP60 | 5-1/2 | 6 | 3-1/8 | 2-1/8 |

NOTE: All sizes use a 1/8-27 NPT hydraulic grease fitting

D-LOK

Type E Family

Speciality Tapered

S-2000

UNISPHERE II

| | | | |
|--------------------------------|---------------------------|------------------------|-----------------------------------|
| FEATURES/BENEFITS PAGE B6-2 | NOMENCLATURE PAGE B6-4 | SELECTION PAGE B6-5 | SELECTION/DIMENSIONS PAGE B6-8 |
|--------------------------------|---------------------------|------------------------|-----------------------------------|

SELECTION/DIMENSIONS



DOUBLE-INTERLOCK Pillow Block - Inch 2-BOLT BASE

D-LOK

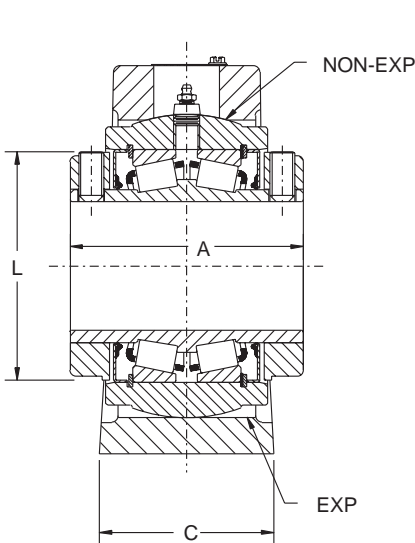
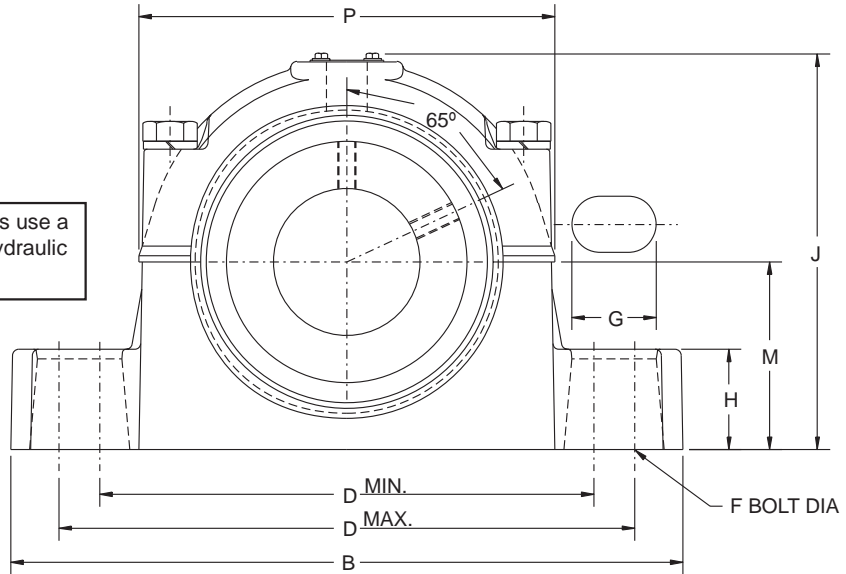
Type E Family

Specialty Tapered

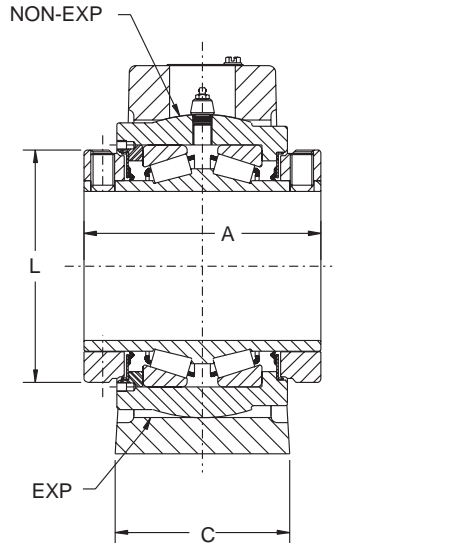
S-2000

UNISPHERE II

NOTE: All sizes use a 1/8 - 27 NPT hydraulic grease fitting



1-3/16" THRU 3" CONSTRUCTION



3-3/16" THRU 3-1/2" CONSTRUCTION

| | | | |
|--------------------------------|---------------------------|------------------------|-----------------------------------|
| FEATURES/BENEFITS PAGE B6-2 | NOMENCLATURE PAGE B6-4 | SELECTION PAGE B6-5 | SELECTION/DIMENSIONS PAGE B6-8 |
|--------------------------------|---------------------------|------------------------|-----------------------------------|

SELECTION/DIMENSIONS



DOUBLE-INTERLOCK Pillow Block - Inch 2-BOLT BASE

| GRAY IRON NON-EXPANSION | | | | | |
|-------------------------|-------------------|-------------------|--------------|--------------------|-------------------------|
| SHAFT SIZE INCHES# | SHAFT SIZE SYMBOL | PILLOW BLOCK ASSY | HOUSING ONLY | BEARING INNER UNIT | PIL. BLK. WT., APRX LBS |
| 1-1/4 | 104 | 023329 | 056130 | 023508 | 9 |
| 1-3/8 | 106 | 023330 | 056132 | 023509 | 11 |
| 1-7/16 | 107 | 023331 | 056132 | 023510 | 11 |
| 1-1/2 | 108 | 023332 | 056134 | 023511 | 15 |
| 1-5/8 | 110 | 023333 | 056134 | 023512 | 15 |
| 1-11/16 | 111 | 023334 | 056134 | 023513 | 15 |
| 1-3/4 | 112 | 023335 | 056136 | 023514 | 18 |
| 1-15/16 | 115 | 023337 | 056136 | 023516 | 17 |
| 2 | 200 | 023338 | 056136 | 023517 | 17 |
| 2-3/16 | 203 | 023339 | 056138 | 023518 | 25 |
| 2-1/4 | 204 | 023340 | 056140 | 023519 | 29 |
| 2-7/16 | 207 | 023341 | 056140 | 023520 | 26 |
| 2-1/2 | 208 | 023342 | 056140 | 023521 | 26 |
| 2-11/16 | 211 | 023343 | 056142 | 023522 | 41 |
| 2-3/4 | 212 | 023344 | 056142 | 023523 | 41 |
| 2-15/16 | 215 | 023345 | 056142 | 023524 | 40 |
| 3 | 300 | 023346 | 056142 | 023525 | 40 |
| 3-3/16 | 303 | 023347 | 056144 | 023526 | 67 |
| 3-7/16 | 307 | 023349 | 056144 | 023528 | 66 |
| 3-1/2 | 308 | 023350 | 056144 | 023529 | 66 |

Description = P2B-DI-207R For 2-7/16" Size

Consult DODGE For Sizes Not Listed.

Non-Expansion Furnished Unless Otherwise Specified

| GRAY IRON EXPANSION | | | | | |
|---------------------|-------------------|-------------------|--------------|--------------------|-------------------------|
| SHAFT SIZE INCHES# | SHAFT SIZE SYMBOL | PILLOW BLOCK ASSY | HOUSING ONLY | BEARING INNER UNIT | PIL. BLK. WT., APRX LBS |
| 1-1/4 | 104 | 023376 | 056100 | 023508 | 9 |
| 1-3/8 | 106 | 023377 | 056102 | 023509 | 11 |
| 1-7/16 | 107 | 023378 | 056102 | 023510 | 11 |
| 1-1/2 | 108 | 023379 | 056104 | 023511 | 15 |
| 1-5/8 | 110 | 023380 | 056104 | 023512 | 15 |
| 1-11/16 | 111 | 023381 | 056104 | 023513 | 15 |
| 1-3/4 | 112 | 023382 | 056106 | 023514 | 18 |
| 1-15/16 | 115 | 023384 | 056106 | 023516 | 17 |
| 2 | 200 | 023385 | 056106 | 023517 | 17 |
| 2-3/16 | 203 | 023386 | 056108 | 023518 | 22 |
| 2-1/4 | 204 | 023387 | 056110 | 023519 | 29 |
| 2-7/16 | 207 | 023388 | 056110 | 023520 | 26 |
| 2-1/2 | 208 | 023389 | 056110 | 023521 | 26 |
| 2-11/16 | 211 | 023390 | 056112 | 023522 | 42 |
| 2-3/4 | 212 | 023391 | 056112 | 023523 | 42 |
| 2-15/16 | 215 | 023392 | 056112 | 023524 | 41 |
| 3 | 300 | 023393 | 056112 | 023525 | 41 |
| 3-3/16 | 303 | 023394 | 056114 | 023526 | 69 |
| 3-7/16 | 307 | 023396 | 056114 | 023528 | 68 |
| 3-1/2 | 308 | 023397 | 056114 | 023529 | 68 |

Description = P2B-DI-207RE For 2-7/16" Size

Consult DODGE For Sizes Not Listed.

| SHAFT SIZE INCHES | A | B | C | D | | F BOLT DIA. | G | H | J | L | M | P | EXP* |
|-------------------|-------|---------|---------|----------|----------|-------------|---------|-------|---------|---------|-------|---------|------|
| | | | | MIN. | MAX. | | | | | | | | |
| 1-1/4 | 2-3/4 | 7-1/2 | 1-7/8 | 6 | 6-3/8 | 3/8 | 43/64 | 1 | 4-17/32 | 2-1/4 | 2-1/8 | 5 | 3/32 |
| 1-3/8 | 3 | 8 | 2-3/16 | 6-1/4 | 6-5/8 | 1/2 | 3/4 | 1-1/4 | 5-15/64 | 2-3/4 | 2-3/8 | 5-33/64 | 3/32 |
| 1-7/16 | | | | | | | | | | | | | |
| 1-1/2 | 3-3/8 | 9 | 2-3/8 | 6-7/8 | 7-5/8 | 1/2 | 1 | 1-3/8 | 5-3/4 | 3-3/16 | 2-5/8 | 5-13/16 | 3/32 |
| 1-5/8 | | | | | | | | | | | | | |
| 1-11/16 | | | | | | | | | | | | | |
| 1-3/4 | 3-1/2 | 10 | 2-17/32 | 7-3/8 | 8-7/16 | 5/8 | 1-19/64 | 1-1/2 | 6-17/64 | 3-7/16 | 2-7/8 | 6-23/64 | 9/32 |
| 1-15/16 | | | | | | | | | | | | | |
| 2 | 3-3/4 | 11 | 2-21/32 | 8-1/16 | 9-1/4 | 5/8 | 1-21/64 | 1-1/2 | 6-33/34 | 3-3/4 | 3 | 6-31/32 | 9/32 |
| 2-3/16 | | | | | | | | | | | | | |
| 2-1/4 | | | | | | | | | | | | | |
| 2-7/16 | 4 | 12 | 2-13/16 | 9-17/64 | 10-1/4 | 5/8 | 1-17/64 | 1-3/4 | 7-1/32 | 4-1/16 | 3-1/4 | 7-3/8 | 9/32 |
| 2-1/2 | | | | | | | | | | | | | |
| 2-11/16 | | | | | | | | | | | | | |
| 2-3/4 | 4-1/2 | 13-7/16 | 2-15/16 | 9-7/8 | 11-1/2 | 3/4 | 1-11/16 | 2 | 7-59/64 | 4-23/32 | 3-3/4 | 8-5/16 | 9/32 |
| 2-15/16 | | | | | | | | | | | | | |
| 3 | | | | | | | | | | | | | |
| 3-3/16 | 5 | 16 | 3-7/16 | 12-13/16 | 13-13/16 | 7/8 | 1-1/2 | 2-1/4 | 9-27/64 | 5-1/2 | 4-1/2 | 10-3/32 | 9/32 |
| 3-7/16 | | | | | | | | | | | | | |
| 3-1/2 | | | | | | | | | | | | | |

* EXP - Total Expansion Divided Equally On Both Sides Of Bearing (Expansion Bearings Only)

Dowel Hole Locations For Precision Positioning - See Page -

NOTE: All sizes use a 1/8-27 NPT hydraulic grease fitting

| | | | |
|--------------------------------|---------------------------|------------------------|-----------------------------------|
| FEATURES/BENEFITS PAGE B6-2 | NOMENCLATURE PAGE B6-4 | SELECTION PAGE B6-5 | SELECTION/DIMENSIONS PAGE B6-8 |
|--------------------------------|---------------------------|------------------------|-----------------------------------|

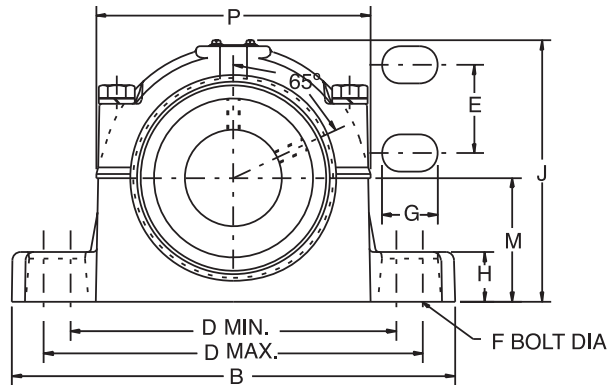


SELECTION/DIMENSIONS

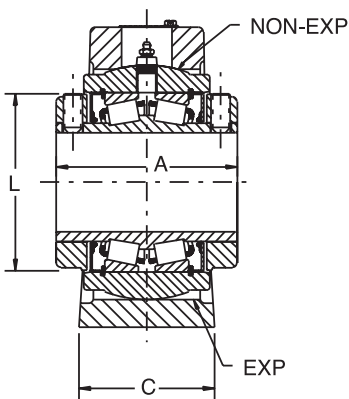


DOUBLE-INTERLOCK Pillow Block - Inch 4-BOLT BASE

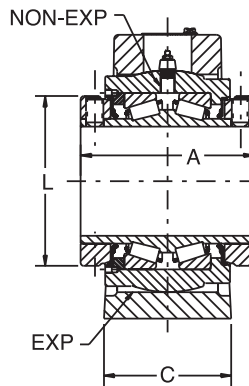
NOTE: All sizes use a 1/8 - 27 NPT hydraulic grease fitting



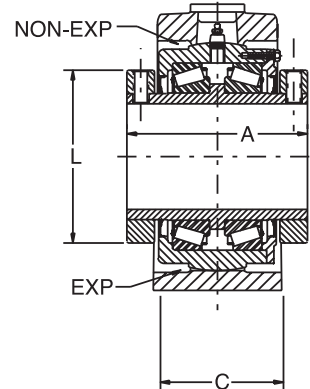
2-7/16" THRU 5"
CONSTRUCTION



2-7/16" THRU 3"
CONSTRUCTION



3-7/16" THRU 5"
CONSTRUCTION



5-7/16" THRU 5-15/16"
CONSTRUCTION

FEATURES/BENEFITS
PAGE B6-2

NOMENCLATURE
PAGE B6-4

SELECTION
PAGE B6-5

SELECTION/DIMENSIONS
PAGE B6-8

SELECTION/DIMENSIONS



DOUBLE-INTERLOCK Pillow Block - Inch 4-BOLT BASE

| GRAY IRON NON EXPANSION | | | | | |
|-------------------------|-------------------|-------------------|--------------|--------------------|-------------------------|
| SHAFT SIZE INCHES# | SHAFT SIZE SYMBOL | PILLOW BLOCK ASSY | HOUSING ONLY | BEARING INNER UNIT | PIL. BLK. WT., APRX LBS |
| 2-7/16 | 207 | 023352 | 060745 | 023520 | 28 |
| 2-1/2 | 208 | 023353 | 060745 | 023521 | 28 |
| 2-11/16 | 211 | 023354 | 060747 | 023522 | 38 |
| 2-15/16 | 215 | 023356 | 060747 | 023524 | 38 |
| 3 | 300 | 023357 | 060747 | 023525 | 38 |
| 3-7/16 | 307 | 023360 | 060749 | 023528 | 69 |
| 3-1/2 | 308 | 023361 | 060749 | 023529 | 69 |
| 3-15/16 | 315 | 023362 | 060751 | 023530 | 109 |
| 4 | 400 | 023363 | 060751 | 023531 | 109 |
| 4-7/16 | 407 | 023364 | 060753 | 023532 | 139 |
| 4-1/2 | 408 | 023365 | 060753 | 023533 | 135 |
| 4-15/16 | 415 | 023366 | 060755 | 023534 | 183 |
| 5 | 500 | 023367 | 060755 | 023535 | 181 |
| 5-7/16 | 507 | 023368 | 060579 | 023536 | 310 |
| 5-15/16 | 515 | 023369 | 060579 | 023537 | 299 |

| GRAY IRON EXPANSION | | | | | |
|---------------------|-------------------|-------------------|--------------|--------------------|-------------------------|
| SHAFT SIZE INCHES# | SHAFT SIZE SYMBOL | PILLOW BLOCK ASSY | HOUSING ONLY | BEARING INNER UNIT | PIL. BLK. WT., APRX LBS |
| 2-7/16 | 207 | 023399 | 060746 | 023520 | 28 |
| 2-1/2 | 208 | 023400 | 060746 | 023521 | 28 |
| 2-11/16 | 211 | 023401 | 060748 | 023522 | 38 |
| 2-15/16 | 215 | 023403 | 060748 | 023524 | 38 |
| 3 | 300 | 023404 | 060748 | 023525 | 38 |
| 3-7/16 | 307 | 023407 | 060750 | 023528 | 69 |
| 3-1/2 | 308 | 023408 | 060750 | 023529 | 69 |
| 3-15/16 | 315 | 023409 | 060752 | 023530 | 110 |
| 4 | 400 | 023410 | 060752 | 023531 | 110 |
| 4-7/16 | 407 | 023411 | 060754 | 023532 | 139 |
| 4-1/2 | 408 | 023412 | 060754 | 023533 | 135 |
| 4-15/16 | 415 | 023413 | 060756 | 023534 | 181 |
| 5 | 500 | 023414 | 060756 | 023535 | 179 |
| 5-7/16 | 507 | 023415 | 060578 | 023536 | 310 |
| 5-15/16 | 515 | 023416 | 060578 | 023537 | 299 |

Non-Expansion Furnished Unless Otherwise Specified

Consult DODGE For Sizes Not Listed.

| SHAFT SIZE INCHES | A | B | C | D | | E | F BOLT DIA | G | H | J | L | M | P | EXP* |
|-------------------|-------|----------|-------|----------|----------|-------|------------|---------|-------|----------|---------|-------|----------|-------|
| | | | | MIN. | MAX | | | | | | | | | |
| 2-7/16 | 4 | 12 | 3-3/8 | 9-17/64 | 10-1/4 | 1-3/4 | 1/2 | 1-1/16 | 1-3/4 | 7-1/32 | 4-1/16 | 3-1/4 | 7-3/8 | 9/32 |
| 2-1/2 | | | | 9-7/8 | 11-1/2 | | | | | | | | | |
| 2-11/16 | 4-1/2 | 13-7/16 | 3-1/2 | 9-7/8 | 11-1/2 | 1-7/8 | 5/8 | 1-9/16 | 2 | 7-59/64 | 4-23/32 | 3-3/4 | 8-5/16 | 9/32 |
| 2-15/16 | | | | | | | | | | | | | | |
| 3 | 5 | 16 | 4 | 12-13/16 | 13-13/16 | 2 | 3/4 | 1-29/64 | 2-1/4 | 9-27/64 | 5-1/2 | 4-1/2 | 10-3/32 | 9/32 |
| 3-7/16 | | | | | | | | | | | | | | |
| 3-1/2 | 6-3/4 | 19 | 4-5/8 | 14-3/8 | 16-1/4 | 2-1/4 | 3/4 | 1-13/16 | 3 | 11-37/64 | 6-29/64 | 5-3/4 | 12-29/64 | 11/32 |
| 3-15/16 | | | | | | | | | | | | | | |
| 4 | 9 | 23-11/16 | 6-1/4 | 19 | 20-5/8 | 3 | 1 | 1-15/16 | 3-1/2 | 14-19/32 | 9-3/8 | 7-1/8 | 15-1/8 | 1/2 |
| 4-7/16 | | | | | | | | | | | | | | |
| 4-1/2 | 7-1/4 | 20-1/2 | 5-1/8 | 15-1/2 | 18-1/16 | 2-1/2 | 7/8 | 2-9/32 | 3-1/4 | 12-53/64 | 7-29/64 | 6-1/4 | 13-23/64 | 11/32 |
| 4-15/16 | | | | | | | | | | | | | | |
| 5 | 9 | 23-11/16 | 6-1/4 | 19 | 20-5/8 | 3 | 1 | 1-15/16 | 3-1/2 | 14-19/32 | 9-3/8 | 7-1/8 | 15-1/8 | 1/2 |
| 5-7/16 | | | | | | | | | | | | | | |
| 5-15/16 | 9 | 23-11/16 | 6-1/4 | 19 | 20-5/8 | 3 | 1 | 1-15/16 | 3-1/2 | 14-19/32 | 9-3/8 | 7-1/8 | 15-1/8 | 1/2 |

*EXP - Total Expansion Divided Equally On Both Sides Of Bearing (Expansion Bearings Only) NOTE: All sizes use a 1/8-27 NPT hydraulic grease fitting
Dowel Hole Locations For Precision Positioning - See Page -

| | | | |
|--------------------------------|---------------------------|------------------------|-----------------------------------|
| FEATURES/BENEFITS PAGE B6-2 | NOMENCLATURE PAGE B6-4 | SELECTION PAGE B6-5 | SELECTION/DIMENSIONS PAGE B6-8 |
|--------------------------------|---------------------------|------------------------|-----------------------------------|

SELECTION/DIMENSIONS



DOUBLE-INTERLOCK Flange Bearing - Inch

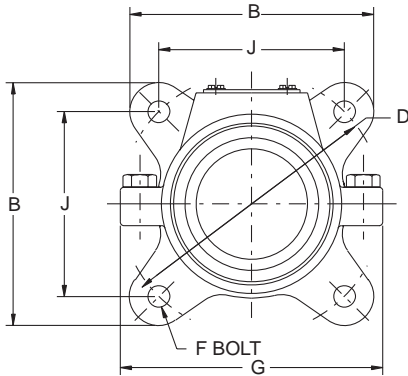
D-LOK

Type E Family

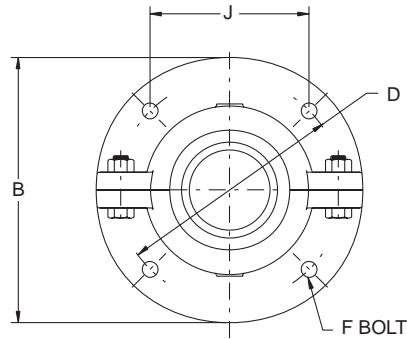
Specialty Tapered

S-2000

UNISPHERE II

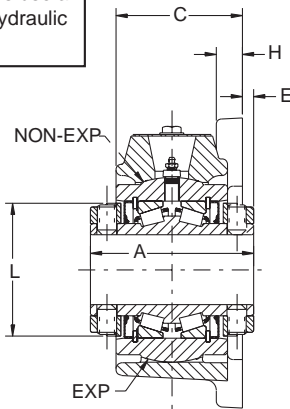


1-3/16" THRU 4" EXTERNAL CONSTRUCTION

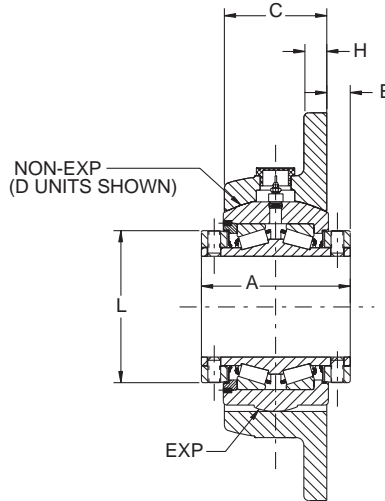


4-7/16" THRU 5" EXTERNAL CONSTRUCTION

NOTE: All sizes use a 1/8 - 27 NPT hydraulic grease fitting



1-3/16" THRU 3" INTERNAL CONSTRUCTION



3-3/16" THRU 5" INTERNAL CONSTRUCTION OF UNIT

* 4-7/16", 4-1/2", 4-15/16" & 5"
NON-EXPANSION HOUSINGS USE THE D UNIT
ALL OTHER HOUSING EXPANSION & NON-EXPANSION USE THE S1 UNIT

| | | | |
|--------------------------------|---------------------------|------------------------|-----------------------------------|
| FEATURES/BENEFITS PAGE B6-2 | NOMENCLATURE PAGE B6-4 | SELECTION PAGE B6-5 | SELECTION/DIMENSIONS PAGE B6-8 |
|--------------------------------|---------------------------|------------------------|-----------------------------------|

SELECTION/DIMENSIONS



DOUBLE-INTERLOCK Flange Bearing - Inch

| DUCTILE IRON NON-EXPANSION | | | |
|----------------------------|-------------|-------------|---------------------|
| SHAFT SIZE INCHES # | PART NUMBER | PART NAME | WEIGHT LBS (APPROX) |
| 1-7/16 | 023425 | F4B-DI-107R | 9 |
| 1-15/16 | 023431 | F4B-DI-115R | 15 |
| 2 | 023432 | F4B-DI-200R | 15 |
| 2-3/16 | 023433 | F4B-DI-203R | 19 |
| 2-7/16 | 023435 | F4B-DI-207R | 22 |
| 2-1/2 | 023436 | F4B-DI-208R | 22 |
| 2-15/16 | 023439 | F4B-DI-215R | 32 |
| 3 | 023440 | F4B-DI-300R | 31 |
| 3-7/16 | 023443 | F4B-DI-307R | 53 |
| 3-15/16 | 023445 | F4B-DI-315R | 82 |
| 4-7/16 ◊ | 023447 | F4B-DI-407R | 158 |
| 4-1/2 ◊ | 023448 | F4B-DI-408R | 158 |
| 4-15/16 ◊ | 023449 | F4B-DI-415R | 220 |

| DUCTILE IRON EXPANSION | | | |
|------------------------|-------------|--------------|---------------------|
| SHAFT SIZE INCHES # | PART NUMBER | PART NAME | WEIGHT LBS (APPROX) |
| 1-7/16 | 023454 | F4B-DI-107RE | 9 |
| 1-15/16 | 023460 | F4B-DI-115RE | 15 |
| 2 | 023461 | F4B-DI-200RE | 15 |
| 2-3/16 | 023462 | F4B-DI-203RE | 19 |
| 2-7/16 | 023464 | F4B-DI-207RE | 22 |
| 2-1/2 | 023465 | F4B-DI-208RE | 22 |
| 2-15/16 | 023468 | F4B-DI-215RE | 32 |
| 3 | 023469 | F4B-DI-300RE | 31 |
| 3-7/16 | 023472 | F4B-DI-307RE | 53 |
| 3-15/16 | 023474 | F4B-DI-315RE | 82 |
| 4-7/16 ◊ | 023476 | F4B-DI-407RE | 158 |
| 4-1/2 ◊ | 023477 | F4B-DI-408RE | 158 |
| 4-15/16 ◊ | 023478 | F4B-DI-415RE | 220 |

Non-Expansion Furnished Unless Otherwise Specified

Consult DODGE For Sizes Not Listed.

◊ 4-7/16" - 5" Housings Are Made Of Cast Iron

| SHAFT SIZE INCHES | A | B | C | D | E | F Bolt Dia. | G | H | J | L |
|-------------------|-------|---------|---------|--------|--------|-------------|---------|-------|----------|---------|
| 1-7/16 | 3 | 5-3/4 | 2-1/8 | 6-1/4 | 5/16 | 1/2 | 5-3/4 | 1/2 | 4-27/64 | 2-3/4 |
| 1-15/16 | 3-1/2 | 6-7/8 | 2-9/16 | 7-1/2 | 3/8 | 5/8 | 7-1/4 | 9/16 | 5-5/16 | 3-7/16 |
| 2 | 3-3/4 | 7-3/16 | 2-23/32 | 8 | 7/16 | 5/8 | 7-13/16 | 9/16 | 5-21/32 | 3-3/4 |
| 2-3/16 | 4 | 7-5/8 | 2-15/16 | 8-1/2 | 7/16 | 5/8 | 8-9/16 | 5/8 | 6 | 4-1/16 |
| 2-7/16 | 4-1/2 | 8-7/8 | 3-11/32 | 9-3/4 | 1/2 | 3/4 | 9-1/2 | 11/16 | 6-57/64 | 4-23/32 |
| 2-1/2 | 5 | 10-1/4 | 3-23/32 | 11-1/2 | 1/2 | 7/8 | 11-3/8 | 3/4 | 8-1/8 | 5-1/2 |
| 2-15/16 | 6-1/4 | 11-7/16 | 4-5/8 | 13 | 3/4 | 1 | 12-7/8 | 13/16 | 9-3/16 | 6 |
| 3 | 6-3/4 | 17-3/4 | 4-5/8 | 15 | 1-1/16 | 1 | ----- | 1 | 10-39/64 | 6-29/64 |
| 3-7/16 | 7-1/4 | 19 | 5 | 16 | 1-1/8 | 1-1/8 | ----- | 1-1/8 | 11-5/16 | 7-29/64 |
| 3-15/16 | | | | | | | | | | |
| 4-7/16 | | | | | | | | | | |
| 4-1/2 | | | | | | | | | | |
| 4-15/16 | | | | | | | | | | |

NOTE: All sizes use a 1/8-27 NPT hydraulic grease fitting

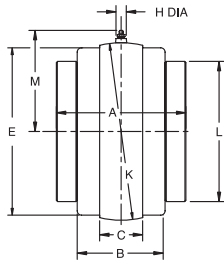
| | | | |
|--------------------------------|---------------------------|------------------------|-----------------------------------|
| FEATURES/BENEFITS PAGE B6-2 | NOMENCLATURE PAGE B6-4 | SELECTION PAGE B6-5 | SELECTION/DIMENSIONS PAGE B6-8 |
|--------------------------------|---------------------------|------------------------|-----------------------------------|



SELECTION/DIMENSIONS



DOUBLE-INTERLOCK Units - Inch



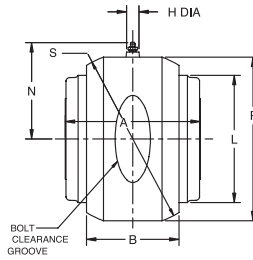
S-1 UNIT

Pillow Block

S-1 units are used in expansion and non-expansion pillow block housings

Flange

S-1 unit is used in expansion flange housings and non-expansion flange housings for 1-3/16 - 4"

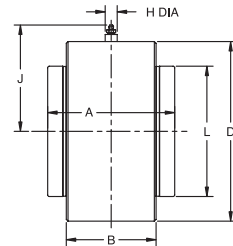


D UNIT

Flange

D units are used in non-expansion flange housings

- 4-7/16 - 5" bore size
- Formerly used in DOUBLE-INTERLOCK non-expansion flange bearing and pillow blocks thru 5 bore size prior to '78



B-1 UNIT

B-1 units can only be used in a customer manufactured housing and are often mounted in machines where bored holes can be provided. B-1 units can be used either as a non-expansion or expansion bearing by providing a suitable means of locating the unit axially. B-1 units will handle slight misalignment requirements. Shaft must be supported by another unit or bearing. For mounting in rotating wheels the Type C

B-1 units is preferred or consult the factory.

| SHAFT SIZE INCHES | A | B | C | σ D | E | | H | J | K | L | M | N | P | S |
|------------------------------------|--------|--------|--------|---------|------------|-----------|-------|------|---------|---------|------|---------|---------|----------|
| | | | | | MACH. SIDE | CAST SIDE | | | | | | | | |
| 1-3/16 1-1/4 | 2-3/4 | 1-7/8 | 1-1/32 | 3 | 2.813 | 2-9/32 | ** | 2.42 | 3.125 • | 2-1/4 | 2.03 | --- | --- | --- |
| 1-3/8 1-7/16 | 3 | 2-1/16 | 1-5/32 | 3-7/16 | 3.250 | 3-5/16 | 11/16 | 2.54 | 3.625 • | 2-3/4 | 2.64 | 2-7/8 | 3-5/8 | 3.844 • |
| 1-1/2 1-5/8 1-11/16 | 3-3/8 | 2-5/16 | 1-3/16 | 3-15/16 | 3.750 | 3-13/16 | 11/16 | 2.79 | 4.125 • | 3-3/16 | 2.89 | 3-1/8 | 4-3/32 | 4.344 • |
| 1-3/4 1-7/8 1-15/16 2 | 3-1/2 | 2-7/16 | 1-1/2 | 4-1/4 | 4.125 | 4-3/16 | 11/16 | 2.95 | 4.562 • | 3-7/16 | 3.10 | 3-1/4 | 4-7/16 | 4.656 • |
| 2-3/16 2-1/4 2-7/16 2-1/2 | 3-3/4 | 2-9/16 | 1-9/16 | 45/8 | 4.500 | 4-5/8 | 11/16 | 3.13 | 5.000 • | 3-3/4 | 3.32 | 3-7/16 | 4-23/32 | 5.000 • |
| 2-11/16 2-3/4 2-15/16 3 | 4-1/2 | 3 | 1-7/8 | 5-7/8 | 5.563 | 5-5/8 | 11/16 | 3.76 | 6.061 • | 4-23/32 | 3.85 | 4 | 5-13/16 | 6.094 • |
| 3-3/16 3-1/4 3-7/16 3-1/2 | 5 | 3-1/2 | 2 | 7-1/8 | 6.813 | 6-7/8 | 11/16 | 4.38 | 7.373# | 5-1/2 | 4.51 | 4-11/16 | 7-7/32 | 7.500 ^ |
| 3-15/16 4 | 6-1/4 | 4-1/2 | 2-3/8 | 7-7/8 | 7.438 | 7-1/2 | * | 5.48 | 7.997# | 6 | 5.16 | 5-1/8 | 8-1/8 | 8.375 ^ |
| 4-7/16 4-1/2 | 6-3/4 | 4-5/8 | 2-3/8 | 8-3/4 | 8.313 | 8-3/8 | * | 5.91 | 8.872# | 6-29/64 | 5.60 | 5-1/2 | 8-7/8 | 9.125 ^ |
| 4-15/16 5 | 7-1/4 | 5-1/8 | 2-7/8 | 10-1/8 | 9.563 | 9-5/8 | * | 6.6 | 10.184# | 7-29/64 | 6.26 | 6-3/16 | 10-1/4 | 10.500 ^ |
| 5-7/16 5-15/16 6 | 9 | 6-1/16 | 2-7/8 | --- | 11.188 | 11-3/16 | 15/16 | --- | 11.874 | 9-3/8 | 7.10 | --- | --- | --- |
| 6-7/16 6-1/2 6-15/16 7 | 10-1/2 | 7-1/8 | 3 | --- | 13.25 | 13-1/4 | 15/16 | --- | 14.248 | 11-3/8 | 8.29 | --- | --- | --- |

* 11/16" DIA ON D UNITS; 15/16" ON S-1 UNITS AND 3/4 HEX ON B-1 UNITS

** 11/16" DIA ON B-1 UNITS; 7/16" DIA ON S-1 UNITS

• +.000 TO .001"
±.0005"

σ +.000 TO -.002"
+.000 TO -.003"

| | | | |
|--------------------------------|---------------------------|------------------------|-----------------------------------|
| FEATURES/BENEFITS PAGE B6-2 | NOMENCLATURE PAGE B6-4 | SELECTION PAGE B6-5 | SELECTION/DIMENSIONS PAGE B6-8 |
|--------------------------------|---------------------------|------------------------|-----------------------------------|

SELECTION/DIMENSIONS



DOUBLE-INTERLOCK Units - Inch

| "S-1" UNITS -- GRAY IRON | | | |
|--------------------------|-------------|-------------|---------------------|
| 1-3/16" thru 3" | | | |
| SHAFT SIZE INCHES # | PART NUMBER | PART NAME | WEIGHT LBS (APPROX) |
| 1-3/16 | 023507 | S1U-DI-103R | 3 |
| 1-1/4 | 023508 | S1U-DI-104R | 4 |
| 1-3/8 | 023509 | S1U-DI-106R | 5 |
| 1-7/16 | 023510 | S1U-DI-107R | 5 |
| 1-1/2 | 023511 | S1U-DI-108R | 7 |
| 1-5/8 | 023512 | S1U-DI-110R | 7 |
| 1-11/16 | 023513 | S1U-DI-111R | 7 |
| 1-3/4 | 023514 | S1U-DI-112R | 8 |
| 1-7/8 | 023515 | S1U-DI-114R | 8 |
| 1-15/16 | 023516 | S1U-DI-115R | 8 |
| 2 | 023517 | S1U-DI-200R | 8 |
| 2-3/16 | 023518 | S1U-DI-203R | 10 |
| 2-1/4 | 023519 | S1U-DI-204R | 12 |
| 2-7/16 | 023520 | S1U-DI-207R | 11 |
| 2-1/2 | 023521 | S1U-DI-208R | 11 |
| 2-11/16 | 023522 | S1U-DI-211R | 18 |
| 2-3/4 | 023523 | S1U-DI-212R | 17 |
| 2-15/16 | 023524 | S1U-DI-215R | 17 |
| 3 | 023525 | S1U-DI-300R | 17 |

Consult DODGE For Sizes Not Listed.

| "D" UNITS -- GRAY IRON | | | |
|------------------------|-------------|------------|---------------------|
| SHAFT SIZE INCHES # | PART NUMBER | PART NAME | WEIGHT LBS (APPROX) |
| 1-3/16 | ----- | DU-DI-103R | ----- |
| 1-1/4 | ----- | DU-DI-104R | ----- |
| 1-3/8 | 023480 | DU-DI-106R | 5 |
| 1-7/16 | 023481 | DU-DI-107R | 5 |
| 1-1/2 | 023482 | DU-DI-108R | 8 |
| 1-5/8 | 023483 | DU-DI-110R | 7 |
| 1-11/16 | 023484 | DU-DI-111R | 7 |
| 1-3/4 | 023485 | DU-DI-112R | 8 |
| 1-7/8 | 023486 | DU-DI-114R | 8 |
| 1-15/16 | 023487 | DU-DI-115R | 8 |
| 2 | 023488 | DU-DI-200R | 8 |
| 2-3/16 | 023489 | DU-DI-203R | 9 |
| 2-1/4 | 023490 | DU-DI-204R | 12 |
| 2-7/16 | 023491 | DU-DI-207R | 12 |
| 2-1/2 | 023492 | DU-DI-208R | 12 |
| 2-11/16 | 023493 | DU-DI-211R | 18 |
| 2-3/4 | 023494 | DU-DI-212R | 17 |
| 2-15/16 | 023495 | DU-DI-215R | 16 |
| 3 | 023496 | DU-DI-300R | 16 |
| 3-3/16 | 023497 | DU-DI-303R | 32 |
| 3-1/4 | 023498 | DU-DI-304R | 31 |
| 3-7/16 | 023499 | DU-DI-307R | 30 |
| 3-1/2 | 023500 | DU-DI-308R | 29 |
| 3-15/16 | 023501 | DU-DI-315R | 46 |
| 4 | 023502 | DU-DI-400R | 43 |
| 4-7/16 | 023503 | DU-DI-407R | 57 |
| 4 1/2 | 023504 | DU-DI-408R | 64 |
| 4-15/16 | 023505 | DU-DI-415R | 85 |
| 5 | 023506 | DU-DI-500R | 85 |

Consult DODGE For Sizes Not Listed.

| "S-1" UNITS -- GRAY IRON | | | |
|--------------------------|-------------|-------------|---------------------|
| 3-3/16" thru 7" | | | |
| SHAFT SIZE INCHES # | PART NUMBER | PART NAME | WEIGHT LBS (APPROX) |
| 3-3/16 | 023526 | S1U-DI-303R | 34 |
| 3-1/4 | 023527 | S1U-DI-304R | 31 |
| 3-7/16 | 023528 | S1U-DI-307R | 31 |
| 3-1/2 | 023529 | S1U-DI-308R | 31 |
| 3-15/16 | 023530 | S1U-DI-315R | 43 |
| 4 | 023531 | S1U-DI-400R | 43 |
| 4-7/16 | 023532 | S1U-DI-407R | 57 |
| 4-1/2 | 023533 | S1U-DI-408R | 64 |
| 4-15/16 | 023534 | S1U-DI-415R | 82 |
| 5 | 023535 | S1U-DI-500R | 82 |
| 5-7/16 | 023536 | S1U-DI-507R | 159 |
| 5-15/16 | 023537 | S1U-DI-515R | 135 |
| 6 | 023538 | S1U-DI-600R | 128 |
| 6-7/16 | 023539 | S1U-DI-607R | 187 |
| 6-1/2 | 023540 | S1U-DI-608R | 182 |
| 6-15/16 | 023541 | S1U-DI-615R | 180 |
| 7 | 023542 | S1U-DI-700R | 178 |

Consult DODGE For Sizes Not Listed.

| "B-1" UNITS -- GRAY IRON | | | |
|--------------------------|-------------|-------------|---------------------|
| SHAFT SIZE INCHES # | PART NUMBER | PART NAME | WEIGHT LBS (APPROX) |
| 1-3/16 | 023543 | BIU-DI-103R | 3 |
| 1-3/8 | 023545 | BIU-DI-106R | 5 |
| 1-7/16 | 023546 | BIU-DI-107R | 5 |
| 1-1/2 | 023547 | BIU-DI-108R | 6 |
| 1-5/8 | 023548 | BIU-DI-110R | 6 |
| 1-3/4 | 023550 | BIU-DI-112R | 8 |
| 1-15/16 | 023552 | BIU-DI-115R | 8 |
| 2 | 023553 | BIU-DI-200R | 7 |
| 2-3/16 | 023554 | BIU-DI-203R | 9 |
| 2-7/16 | 023556 | BIU-DI-207R | 12 |
| 2-1/2 | 023557 | BIU-DI-208R | 11 |
| 2-11/16 | 023558 | BIU-DI-211R | 17 |
| 2-3/4 | 023559 | BIU-DI-212R | 17 |
| 2-15/16 | 023560 | BIU-DI-215R | 17 |
| 3 | 023561 | BIU-DI-300R | 17 |
| 3-7/16 | 023564 | BIU-DI-307R | 30 |
| 3-1/2 | 023565 | BIU-DI-308R | 30 |
| 3-15/16 | 023566 | BIU-DI-315R | 45 |
| 4 | 023567 | BIU-DI-400R | 44 |
| 4-7/16 | 023568 | BIU-DI-407R | 58 |
| 4 1/2 | 023569 | BIU-DI-408R | 64 |
| 4-15/16 | 023570 | BIU-DI-415R | 87 |
| 5 | 023571 | BIU-DI-500R | 86 |

Consult DODGE For Sizes Not Listed.

NOTE: All sizes use a 1/8-27 NPT hydraulic grease fitting

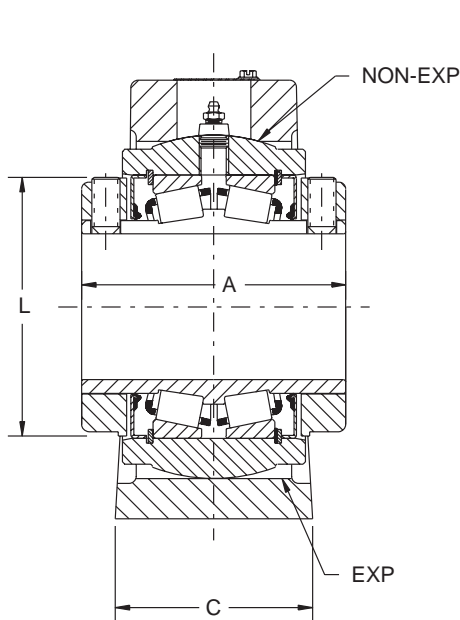
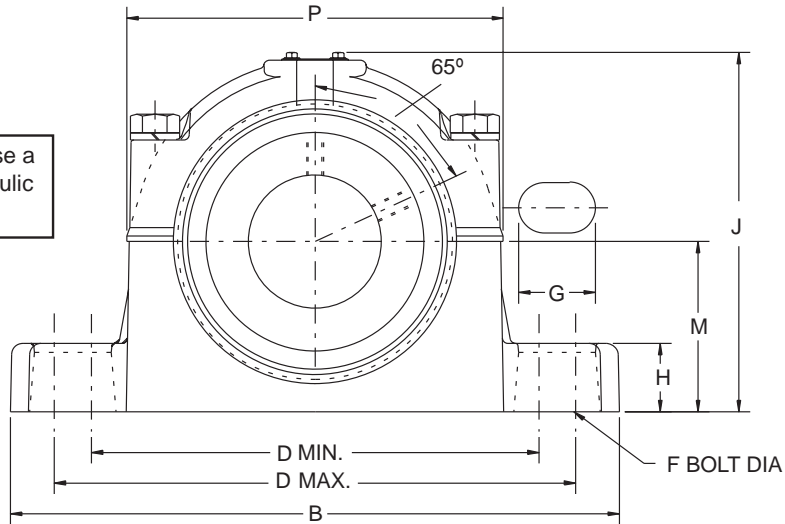
| | | | |
|--------------------------------|---------------------------|------------------------|-----------------------------------|
| FEATURES/BENEFITS PAGE B6-2 | NOMENCLATURE PAGE B6-4 | SELECTION PAGE B6-5 | SELECTION/DIMENSIONS PAGE B6-8 |
|--------------------------------|---------------------------|------------------------|-----------------------------------|

SELECTION/DIMENSIONS

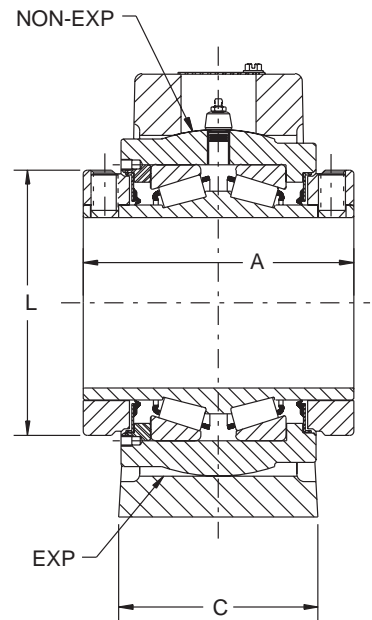


TAF Pillow Block - Inch 2-BOLT BASE

NOTE: All sizes use a 1/8 - 27 NPT hydraulic grease fitting



1-7/16" THRU 3" CONSTRUCTION



3-7/16" THRU 3-1/2" CONSTRUCTION

FEATURES/BENEFITS
PAGE B6-2

NOMENCLATURE
PAGE B6-4

SELECTION
PAGE B6-5

SELECTION/DIMENSIONS
PAGE B6-8

SELECTION/DIMENSIONS



TAF Pillow Block - Inch 2-BOLT BASE

| GRAY IRON NON-EXPANSION | | | | | | |
|-------------------------|-------------------|--------------------|-------------------|--------------|--------------------|------------------------|
| SHAFT SIZE INCHES # | SHAFT SIZE SYMBOL | SAF HOUSING NUMBER | PILLOW BLOCK ASSY | HOUSING ONLY | BEARING INNER UNIT | PIL. BLK. WT. APRX LBS |
| 1-7/16 | 107 | 509 | 037580 | 037540 | 037632 | 12 |
| 1-11/16 | 111 | 510 | 037581 | 037541 | 037633 | 15 |
| 1-15/16 | 115 | 511 | 037582 | 037542 | 037634 | 17 |
| 2-3/16 | 203 | 513 | 037583 | 037543 | 037635 | 25 |
| 2-7/16 | 207 | 515 | 037584 | 037544 | 037636 | 30 |
| 2-1/2 | 208 | | 037585 | 037544 | 037637 | 30 |
| 2-11/16 | 211 | 516 | 037586 | 037545 | 037638 | 38 |
| 2-3/4 | 212 | | 037587 | 037545 | 037639 | 38 |
| 2-15/16 | 215 | 517 | 037588 | 037546 | 037640 | 45 |
| 3 | 300 | | 037589 | 037546 | 037641 | 44 |
| 3-7/16 | 307 | 520 | 037590 | 037547 | 037642 | 71 |
| 3-1/2 | 308 | | 037591 | 037547 | 037643 | 70 |

| GRAY IRON EXPANSION | | | | | | |
|---------------------|-------------------|--------------------|-------------------|--------------|--------------------|------------------------|
| SHAFT SIZE INCHES # | SHAFT SIZE SYMBOL | SAF HOUSING NUMBER | PILLOW BLOCK ASSY | HOUSING ONLY | BEARING INNER UNIT | PIL. BLK. WT. APRX LBS |
| 1-7/16 | 107 | 509 | 037592 | 037555 | 037632 | 12 |
| 1-11/16 | 111 | 510 | 037593 | 037556 | 037633 | 15 |
| 1-15/16 | 115 | 511 | 037594 | 037557 | 037634 | 17 |
| 2-3/16 | 203 | 513 | 037595 | 037558 | 037635 | 25 |
| 2-7/16 | 207 | 515 | 037596 | 037559 | 037636 | 30 |
| 2-1/2 | 208 | | 037597 | 037559 | 037637 | 30 |
| 2-11/16 | 211 | 516 | 037598 | 037560 | 037638 | 38 |
| 2-3/4 | 212 | | 037599 | 037560 | 037639 | 38 |
| 2-15/16 | 215 | 517 | 037600 | 037561 | 037640 | 45 |
| 3 | 300 | | 037601 | 037561 | 037641 | 44 |
| 3-7/16 | 307 | 520 | 037602 | 037562 | 037642 | 71 |
| 3-1/2 | 308 | | 037603 | 037562 | 037643 | 70 |

Non-Expansion Furnished Unless Otherwise Specified.

Consult DODGE For Sizes Not Shown

| SHAFT SIZE INCHES | SAF SERIES | A | B | C | D | | F BOLT DIA | G | H | J | L | M | P | EXP* |
|-------------------|------------|-------|----------|---------|----------|--------|------------|---------|---------|---------|---------|-------|---------|------|
| | | | | | MIN. | MAX. | | | | | | | | |
| 1-7/16 | 509 | 3 | 8-1/4 | 2-3/16 | 6-1/4 | 7 | 1/2 | 15/16 | 7/8 | 5-7/64 | 2-3/4 | 2-1/4 | 5-33/64 | 3/32 |
| 1-11/16 | 510 | 3-3/8 | 8-1/4 | 2-3/8 | 6-1/2 | 7 | 1/2 | 7/8 | 1-1/32 | 5-5/8 | 3-3/16 | 2-1/2 | 5-13/16 | 3/32 |
| 1-15/16 | 511 | 3-1/2 | 9-5/8 | 2-3/4 | 7-3/8 | 8-1/4 | 5/8 | 1-13/64 | 1-1/32 | 6-9/64 | 3-7/16 | 2-3/4 | 6-23/64 | 9/32 |
| 2-3/16 | 513 | 3-3/4 | 11 | 3-1/4 | 8-21/32 | 9-1/2 | 5/8 | 1-7/16 | 1-1/32 | 6-33/64 | 3-3/4 | 3 | 6-61/64 | 9/32 |
| 2-7/16 | 515 | 4 | 11-1/8 | 3-1/8 | 8-5/8 | 9-5/8 | 5/8 | 1-17/64 | 1-1/4 | 7-1/32 | 4-1/16 | 3-1/4 | 7-3/8 | 9/32 |
| 2-1/2 | | | | | | | | | | | | | | |
| 2-11/16 | 516 | 4-1/2 | 12-19/32 | 3-1/2 | 9-7/8 | 11 | 3/4 | 1-7/16 | 1 | 7-43/64 | 4-23/32 | 3-1/2 | 8-5/16 | 9/32 |
| 2-3/4 | | | | | | | | | | | | | | |
| 2-15/16 | 517 | 4-1/2 | 12-19/32 | 3-1/2 | 9-7/8 | 11 | 3/4 | 1-7/16 | 1-1/4 | 7-59/64 | 4-23/32 | 3-3/4 | 8-5/16 | 9/32 |
| 3 | | | | | | | | | | | | | | |
| 3-7/16 | 520 | 5 | 15-3/8 | 4-11/32 | 11-13/16 | 13-1/8 | 7/8 | 1-21/32 | 1-21/32 | 9-27/64 | 5-1/2 | 4-1/2 | 10-3/32 | 9/32 |
| 3-1/2 | | | | | | | | | | | | | | |

*EXP Total Expansion Divided Equally On Both Sides Of Bearing (Expansion Bearing Only).

NOTE: All sizes use a 1/8-27 NPT hydraulic grease fitting

| | | | |
|--------------------------------|---------------------------|------------------------|-----------------------------------|
| FEATURES/BENEFITS PAGE B6-2 | NOMENCLATURE PAGE B6-4 | SELECTION PAGE B6-5 | SELECTION/DIMENSIONS PAGE B6-8 |
|--------------------------------|---------------------------|------------------------|-----------------------------------|

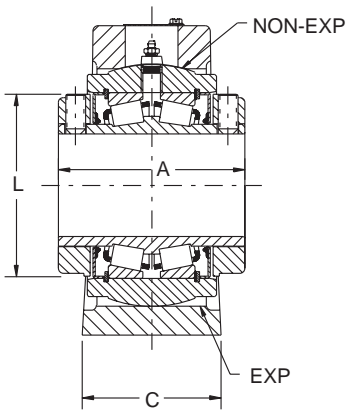
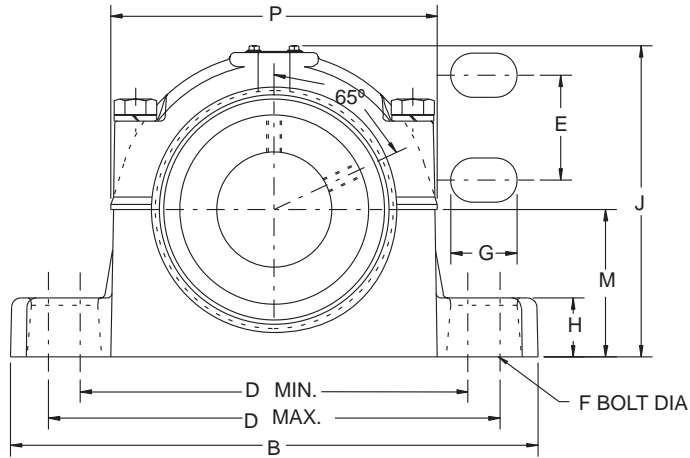


SELECTION/DIMENSIONS

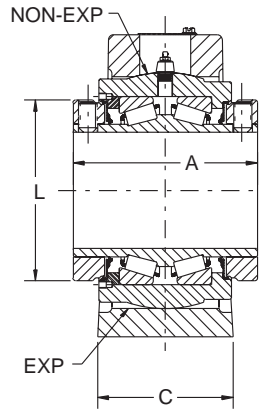


TAF Pillow Block - Inch 4-BOLT BASE

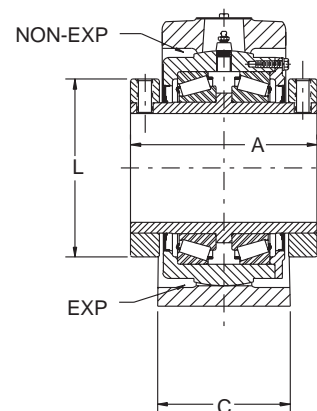
NOTE: All sizes use a 1/8 - 27 NPT hydraulic grease fitting



2-7/16" THRU 3"
CONSTRUCTION



3-7/16" THRU 5"
CONSTRUCTION



5-7/16" THRU 7"
CONSTRUCTION

FEATURES/BENEFITS
PAGE B6-2

NOMENCLATURE
PAGE B6-4

SELECTION
PAGE B6-5

SELECTION/DIMENSIONS
PAGE B6-8

SELECTION/DIMENSIONS



TAF Pillow Block - Inch 4-BOLT BASE

| GRAY IRON NON-EXPANSION | | | | | | |
|-------------------------|-------------------|--------------------|-------------------|--------------|--------------------|------------------------|
| SHAFT SIZE INCHES # | SHAFT SIZE SYMBOL | SAF HOUSING NUMBER | PILLOW BLOCK ASSY | HOUSING ONLY | BEARING INNER UNIT | PIL. BLK. WT. APRX LBS |
| 2-7/16 | 207 | 515 | 037604 | 037548 | 037636 | 30 |
| 2-1/2 | 208 | 515 | 037605 | 037548 | 037637 | 30 |
| 2-11/16 | 211 | 516 | 037606 | 037549 | 037638 | 38 |
| 2-3/4 | 212 | 516 | 037607 | 037549 | 037639 | 38 |
| 2-15/16 | 215 | 517 | 037608 | 037550 | 037640 | 45 |
| 3 | 300 | 517 | 037609 | 037550 | 037641 | 44 |
| 3-7/16 | 307 | 520 | 037610 | 037551 | 037642 | 71 |
| 3-1/2 | 308 | 520 | 037611 | 037551 | 037643 | 70 |
| 3-15/16 | 315 | 522 | 037612 | 037552 | 037644 | 110 |
| 4 | 400 | 522 | 037613 | 037552 | 037645 | 110 |
| 4-7/16 | 407 | 526 | 037614 | 037553 | 037646 | 140 |
| 4-1/2 | 408 | 526 | 037615 | 037553 | 037647 | 140 |
| 4-15/16 | 415 | 528 | 037616 | 037554 | 037648 | 180 |
| 5 | 500 | 528 | 037617 | 037554 | 037649 | 180 |
| 5-7/16 | 507 | 532 | 023584 | 042628 | 023610 | 300 |
| 5-15/16 | 515 | 534 | 023585 | 042630 | 023611 | 300 |
| 6 | 600 | 534 | 023586 | 042630 | 023612 | 300 |
| 6-7/16 | 607 | 536 | 023587 | 042632 | 023613 | 510 |
| 6-1/2 | 608 | 536 | 023588 | 042632 | 023614 | 510 |
| 6-15/16 | 615 | 538 | 023589 | 042634 | 023615 | 520 |
| 7 | 700 | 538 | 023590 | 042634 | 023616 | 0520 |

| GRAY IRON EXPANSION | | | | | | |
|---------------------|-------------------|--------------------|-------------------|--------------|--------------------|------------------------|
| SHAFT SIZE INCHES # | SHAFT SIZE SYMBOL | SAF HOUSING NUMBER | PILLOW BLOCK ASSY | HOUSING ONLY | BEARING INNER UNIT | PIL. BLK. WT. APRX LBS |
| 2-7/16 | 207 | 515 | 037618 | 037563 | 037636 | 30 |
| 2-1/2 | 208 | 515 | 037619 | 037563 | 037637 | 30 |
| 2-11/16 | 211 | 516 | 037620 | 037564 | 037638 | 38 |
| 2-3/4 | 212 | 516 | 037621 | 037564 | 037639 | 38 |
| 2-15/16 | 215 | 517 | 037622 | 037565 | 037640 | 45 |
| 3 | 300 | 517 | 037623 | 037565 | 037641 | 44 |
| 3-7/16 | 307 | 520 | 037624 | 037566 | 037642 | 71 |
| 3-1/2 | 308 | 520 | 037625 | 037566 | 037643 | 70 |
| 3-15/16 | 315 | 522 | 037626 | 037567 | 037644 | 110 |
| 4 | 400 | 522 | 037627 | 037567 | 037645 | 110 |
| 4-7/16 | 407 | 526 | 037628 | 037568 | 037646 | 140 |
| 4-1/2 | 408 | 526 | 037629 | 037568 | 037647 | 140 |
| 4-15/16 | 415 | 528 | 037630 | 037569 | 037648 | 180 |
| 5 | 500 | 528 | 037631 | 037569 | 037649 | 180 |
| 5-7/16 | 507 | 532 | 023603* | 042627* | 023610 | 300 |
| 5-15/16 | 515 | 534 | 023604* | 042629* | 023611 | 300 |
| 6 | 600 | 534 | 023605* | 042629* | 023612 | 300 |
| 6-7/16 | 607 | 536 | 023606* | 042631* | 023613 | 510 |
| 6-1/2 | 608 | 536 | 023607* | 042631* | 023614 | 510 |
| 6-15/16 | 615 | 538 | 023608* | 042633* | 023615 | 520 |
| 7 | 700 | 538 | 023609* | 042633* | 023616 | 0520 |

Non-Expansion Furnished Unless Otherwise Specified
Consult DODGE For Sizes Not Shown

| SHAFT SIZE | SAF SERIES | A | B | C | D | | E | F BOLT DIA | G | H | J | L | M | P | EXP* |
|------------------|------------|--------|-----------|---------|----------|--------|-------|------------|---------|---------|----------|---------|---------|----------|-------|
| | | | | | MIN. | MAX. | | | | | | | | | |
| 2-7/16 2-1/2 | 515 | 4 | 11-1/8 | 3-1/8 | 8-5/8 | 9-5/8 | 1-7/8 | 1/2 | 1-1/8 | 1-1/4 | 7-1/32 | 4-1/16 | 3-1/4 | 7-3/8 | 9/32 |
| 2-11/16 2-3/4 | 516 | 4-1/2 | 12-19/32 | 3-1/2 | 9-7/8 | 11 | 2-1/8 | 5/8 | 1-21/64 | 1 | 7-43/64 | 4-23/32 | 3-1/2 | 8-5/16 | 9/32 |
| 2-15/16 3 | 517 | 4-1/2 | 12-19/32 | 3-1/2 | 9-7/8 | 11 | 2-1/8 | 5/8 | 1-21/64 | 1-1/4 | 7-59/64 | 4-23/32 | 3-3/4 | 8-5/16 | 9/32 |
| 3-7/16 3-1/2 | 520 | 5 | 15-3/8 | 4-11/32 | 11-5/8 | 13-1/8 | 2-3/8 | 3/4 | 1-5/8 | 1-21/32 | 9-27/64 | 5-1/2 | 4-1/2 | 10-3/32 | 9/32 |
| 3-15/16 4 | 522 | 6-1/4 | 16-1/2 | 4-3/4 | 12-19/32 | 14-1/2 | 2-3/4 | 3/4 | 1-53/64 | 1-25/32 | 10-23/64 | 6 | 4-15/16 | 10-45/64 | 11/32 |
| 4-7/16 4-1/2 | 526 | 6-3/4 | 18-3/8 | 5-1/8 | 14-1/2 | 16 | 3-1/4 | 7/8 | 1-3/4 | 2-1/16 | 11-53/64 | 6-29/64 | 6 | 12-29/64 | 11/32 |
| 4-15/16 5 | 528 | 7-1/4 | 19-45/64 | 5-7/8 | 15-5/8 | 17-3/8 | 3-3/8 | 1 | 2 | 2-1/16 | 12-37/64 | 7-29/64 | 6 | 13-23/64 | 11/32 |
| 5-7/16 | 532 | 9 | 21- 21/32 | 6-1/4 | 17-5/8 | 19-1/4 | 3-3/4 | 1 | 1-59/64 | 2-11/32 | 14 | 9-3/8 | 6-11/16 | 15-1/8 | 13/32 |
| 5-15/16 6 | 534 | 9 | 24-3/4 | 6-3/4 | 19 | 21-5/8 | 4-1/4 | 1 | 2-7/16 | 2-7/8 | 14-3/8 | 9-3/8 | 7-1/16 | 15-1/8 | 13/32 |
| 6-7/16 6-1/2 | 536 | 10-1/2 | 26-3/4 | 7-1/8 | 21 | 23-5/8 | 4-5/8 | 1 | 2-7/16 | 3 | 16-3/16 | 11-3/8 | 7-1/2 | 18-5/16 | 13/32 |
| 6-15/16 7 | 538 | 10-1/2 | 28 | 7-1/2 | 21-5/8 | 24-3/8 | 4-1/2 | 1-1/4 | 2-3/4 | 3-1/8 | 16-9/16 | 11-3/8 | 7-7/8 | 18-5/16 | 13/32 |

*EXP - Total Expansion Divided Equally On Both Sides Of Bearing (Expansion Bearings Only)

Note: All sizes use a 1/8-27 NPT hydraulic grease fitting

| | | | |
|--------------------------------|---------------------------|------------------------|-----------------------------------|
| FEATURES/BENEFITS PAGE B6-2 | NOMENCLATURE PAGE B6-4 | SELECTION PAGE B6-5 | SELECTION/DIMENSIONS PAGE B6-8 |
|--------------------------------|---------------------------|------------------------|-----------------------------------|

SELECTION/DIMENSIONS



TAF Units - Inch

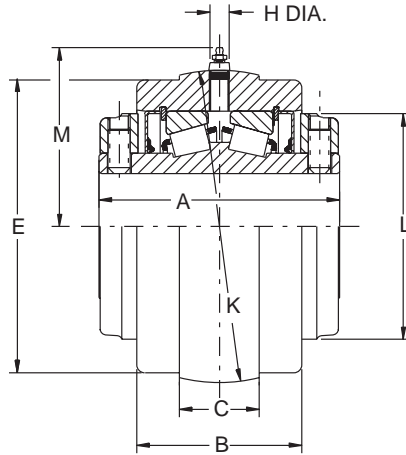
D-LOK

Type E Family

Specialty Tapered

S-2000

UNISPHERE II

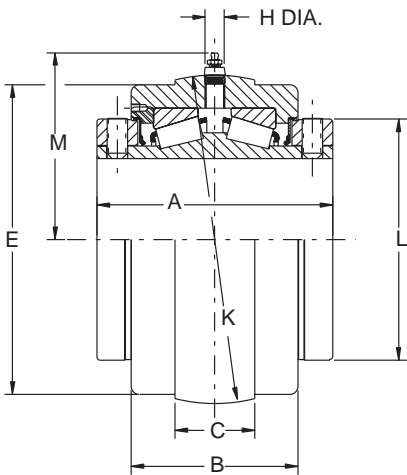


NOTE: All sizes use a 1/8 - 27 NPT hydraulic grease fitting

TAF S1 Unit Is Used In All Expansion And Non-Expansion TAF Housings

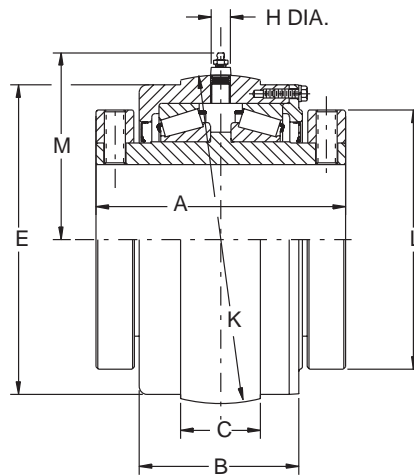
S-1 UNIT

1-7/16" THRU 3" CONSTRUCTION



S-1 UNIT

3-3/16" THRU 5" CONSTRUCTION



S-1 UNIT

5-7/16" THRU 7" CONSTRUCTION

| | | | |
|--------------------------------|---------------------------|------------------------|-----------------------------------|
| FEATURES/BENEFITS PAGE B6-2 | NOMENCLATURE PAGE B6-4 | SELECTION PAGE B6-5 | SELECTION/DIMENSIONS PAGE B6-8 |
|--------------------------------|---------------------------|------------------------|-----------------------------------|

SELECTION/DIMENSIONS



TAF Units - Inch

| "S-1" UNITS - GRAY IRON | | | |
|-------------------------|-------------|----------------|---------------------|
| SHAFT SIZE # INCHES | PART NUMBER | PART NAME | WEIGHT LBS (APPROX) |
| 1-7/16 | 037632 | S1U509-TAF-107 | 5 |
| 1-11/16 | 037633 | S1U510-TAF-111 | 7 |
| 1-15/16 | 037634 | S1U511-TAF-115 | 8 |
| 2-3/16 | 037635 | S1U513-TAF-203 | 9 |
| 2-7/16 | 037636 | S1U515-TAF-207 | 11 |
| 2- 1/2 | 037637 | S1U515-TAF-208 | 11 |
| 2-11/16 | 037638 | S1U516-TAF-211 | 18 |
| 2-3/4 | 037639 | S1U516-TAF-212 | 17 |
| 2-15/16 | 037640 | S1U517-TAF-215 | 17 |
| 3 | 037641 | S1U517-TAF-300 | 17 |
| 3-7/16 | 037642 | S1U520-TAF-307 | 31 |
| 3-1/2 | 037643 | S1U520-TAF-307 | 31 |
| 3-15/16 | 037644 | S1U522-TAF-315 | 43 |
| 4 | 037645 | S1U522-TAF-400 | 43 |
| 4-7/16 | 037646 | S1U526-TAF-407 | 57 |
| 4-1/2 | 037647 | S1U526-TAF-408 | 68 |
| 4-15/16 | 037648 | S1U528-TAF-415 | 82 |
| 5 | 037649 | S1U528-TAF-500 | 82 |
| 5-7/16 | 023610 | S1U-TAF-507R | 155 |
| 5-15/16 | 023611 | S1U-TAF-515R | 143 |
| 6 | 023612 | S1U-TAF-600R | 138 |
| 6-7/16 | 023613 | S1U-TAF-607R | 187 |
| 6-1/2 | 023614 | S1U-TAF-608R | 182 |
| 6-15/16 | 023615 | S1U-TAF-615R | 180 |
| 7 | 023616 | S1U-TAF-700R | 178 |

NOTE: TAF inserts below 5-7/16" are not interchangeable with TAF-XT housings, with shafts of 5" or less, order DOUBLE-INTERLOCK S-1 units on Page B6-50

| SHAFT SIZE INCHES | A | B | C | E | | H | K | L | M |
|-------------------|--------|--------|---------|------------|-----------|-------|----------|---------|---------|
| | | | | MACH. SIDE | CAST SIDE | | | | |
| 1-7/16 | 3 | 2-1/16 | 1-5/32 | 3.250 | 3.31 | 3/4 | 3.595 • | 2-3/4 | 2-1/2 |
| 1-11/16 | 3-3/8 | 2-5/16 | 1-3/16 | 3.750 | 3.81 | 3/4 | 4.095 • | 3-3/16 | 2-7/8 |
| 1-15/16 | 3-1/2 | 2-7/16 | 1-1/2 | 4.125 | 4.18 | 3/4 | 4.502 • | 3-7/16 | 2-3/4 |
| 2-3/16 | 3-3/4 | 2-9/16 | 1-9/16 | 4.500 | 4.56 | 3/4 | 4.940 • | 3-3/4 | 2-61/64 |
| 2-7/16 | 4 | 2-3/4 | 1-7/16 | 4.812 | 4.87 | 3/4 | 5.156 • | 4-1/16 | 3-3/8 |
| 2- 1/2 | | | | | | | | | |
| 2-15/16 | 4-1/2 | 3 | 1-7/8 | 5.563 | 5.63 | 3/4 | 6.001 • | 4-23/32 | 3-7/8 |
| 3 | | | | | | | | | |
| 3-7/16 | 5 | 3-1/2 | 2-3/16 | 6.813 | 6.88 | 3/4 | 7.313 * | 5-1/2 | 4-1/2 |
| 3-1/2 | | | | | | | | | |
| 3-15/16 | 6-1/4 | 4-1/2 | 2-19/32 | 7.438 | 7.40 | 15/16 | 7.937 * | 6 | 5-1/8 |
| 4 | | | | | | | | | |
| 4-7/16 | 6-3/4 | 4-5/8 | 2-9/16 | 8.313 | 8.32 | 15/16 | 8.812 * | 6-29/64 | 5-1/2 |
| 4-1/2 | | | | | | | | | |
| 4-15/16 | 7-1/4 | 5-1/8 | 3-1/8 | 9.563 | 9.54 | 15/16 | 10.124 * | 7-29/64 | 6-3/16 |
| 5 | | | | | | | | | |
| 5-7/16 | 9 | 5-7/8 | 2-9/16 | 11.190 | 11.19 | 15/16 | 11.563 ^ | 9-3/8 | 6-29/32 |
| 5-15/16 | | | | | | | | | |
| 6 | | | | | | | | | |
| 6-7/16 | 10-1/2 | 7-1/8 | 3 | 13.250 | 13.25 | 15/16 | 13.748 ^ | 11-3/8 | 8 |
| 6-1/2 | | | | | | | | | |
| 6-15/16 | | | | | | | | | |
| 7 | | | | | | | | | |

• +.000,-.001"

^ .000,-.003"

* +.0005

Consult DODGE For Sizes Not Listed

| | | | |
|--------------------------------|---------------------------|------------------------|-----------------------------------|
| FEATURES/BENEFITS PAGE B6-2 | NOMENCLATURE PAGE B6-4 | SELECTION PAGE B6-5 | SELECTION/DIMENSIONS PAGE B6-8 |
|--------------------------------|---------------------------|------------------------|-----------------------------------|

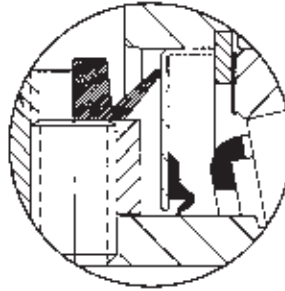


SELECTION/DIMENSIONS

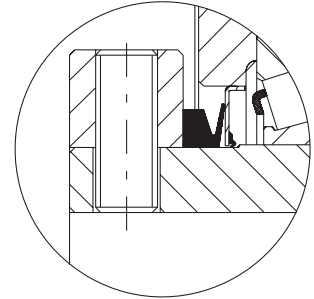


Type E / Type K / DOUBLE-INTERLOCK /TAF E-TECT SEAL KITS

| SHAFT SIZE INCHES | KIT PART NUMBER |
|-------------------------|-----------------------|
| 1-3/16 TO 1-1/4 | 037650* |
| 1-3/8 TO 1-7/16 | 037651* |
| 1-1/2 TO 1-11/16 | 037652* |
| 1-3/4 TO 2 | 037653* |
| 2-3/16 | 037654* |
| 2-1/4 TO 2-1/2 | 037655* |
| 2-11/16 TO 3 | 037656* |
| 3-3/16 TO 3-1/2 | 037657* |
| 3-15/16 TO 4 | 037658* |
| 4-7/16 TO 4-1/2 | 037659* |
| 4-15/16 TO 5 | 037660* |
| 5-7/16 TO 6 | 037673** |
| 6-7/16 TO 7 | 037674** |



1-3/16 THRU 5"



5-7/16 THRU 7"

* Kit includes one collar, set screws and seal

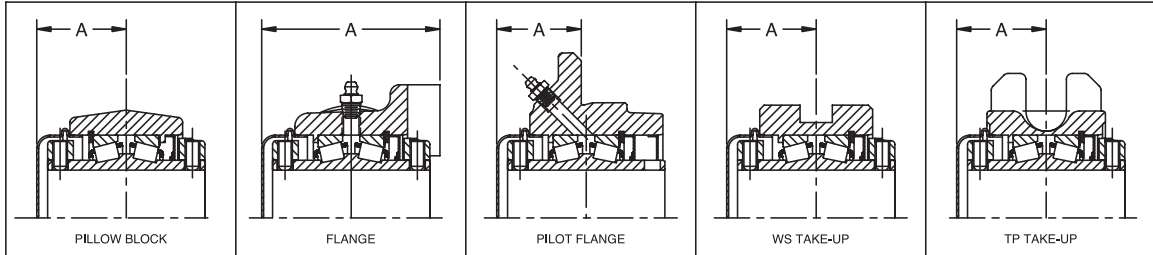
** Kit for 5-7/16" consists of a modified v-ring seal. This seal can only be used with bearings produced after September 1995

| | | | |
|--------------------------------|---------------------------|------------------------|-----------------------------------|
| FEATURES/BENEFITS PAGE B6-2 | NOMENCLATURE PAGE B6-4 | SELECTION PAGE B6-5 | SELECTION/DIMENSIONS PAGE B6-8 |
|--------------------------------|---------------------------|------------------------|-----------------------------------|

SELECTION/DIMENSIONS



Type E TYPE E END CLOSURE KITS - INCH



** Seal must be removed before installing the end cover

| SHAFT SIZE Δ Inches | KIT* PART NO. | "A" DIMENSION (INCH) | | | | |
|---------------------------|------------------|----------------------|---------|-----------------|---------------|---------------|
| | | PILLOW BLOCK | FLANGE | PILOT FLANGE | WS TAKE-UP | TP TAKE-UP |
| 1-3/16 TO 1-1/4 | 023795 | 1-9/16 | 2-31/32 | 1-15/32 | ---- | ---- |
| 1-3/8 TO 1-7/16 | 023796 | 1-11/32 | 3-7/32 | 1-21/32 | 1-21/32 | ---- |
| 1-1/2 TO 1-11/16 | 023797 | 1-57/64 | 3-43/64 | 1-47/64 | 1-55/64 | ---- |
| 1-3/4 TO 2 | 023798 | 1-61/64 | 3-51/64 | 1-47/64 | 1-59/64 | 1-63/64 |
| 2-3/16 | 023799 | 2-3/32 | 4-1/16 | 1-7/8 | 2-1/16 | 2-1/16 |
| 2-1/4 TO 2-1/2 | 023800 | 2-1/4 | 4-3/8 | 2 | 2-3/16 | 2-5/16 |
| 2-11/16 TO 3 | 023801 | 2-7/16 | 4-7/8 | 2-3/16 | 2-7/16 | 2-7/16 |

Δ - Consult DODGE For Sizes Not Listed.

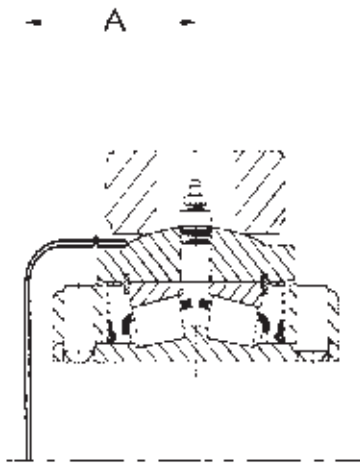
* - Kit Includes End Closure And Special Collar.

| | | | |
|--------------------------------|---------------------------|------------------------|-----------------------------------|
| FEATURES/BENEFITS PAGE B6-2 | NOMENCLATURE PAGE B6-4 | SELECTION PAGE B6-5 | SELECTION/DIMENSIONS PAGE B6-8 |
|--------------------------------|---------------------------|------------------------|-----------------------------------|

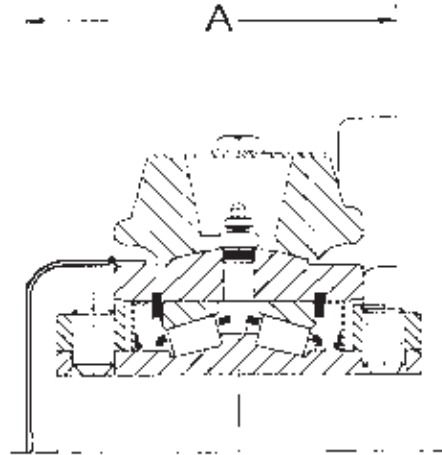
SELECTION/DIMENSIONS



Type K, DOUBLE-INTERLOCK and TAF End Covers



DOUBLE-INTERLOCK SHOWN
K, D-1 & TAF



DOUBLE-INTERLOCK SHOWN
K & DI

| SHAFT SIZE INCHES | PART NUMBER | "A" DIMENSION | |
|-------------------------|----------------|-----------------|-------------------|
| | | PILLOW BLOCK | FLANGE BEARING |
| 1-3/8 TO 1-7/16 | 037681 | 1-21/32 | 2-27/32 |
| 1-1/2 TO 1-11/16 | 037682 | 1-55/64 | 3-11/64 |
| 1-3/4 TO 2 | 037683 | 1-59/64 | 3-19/64 |
| 2-3/16 | 037684 | 2-1/16 | 3-1/2 |
| 2-1/4 TO 2-1/2 | 037685 | 2-3/16 | 3-3/4 |
| 2-11/16 TO 3 | 037686 | 2-7/16 | 4-3/16 |
| 3-3/16 TO 3-1/2 | 037687 | 2-11/16 | 4-15/16 |
| 3-5/16 TO 4 | 037688 | 3-5/16 | 5-13/16 |
| 4-7/16 TO 4-1/2 | 037689 | 3-9/16 | 5-7/8 |
| 4-15/16 TO 5 | 037690 | 3-13/16 | 6-5/16 |

END CLOSURE MOUNTS ON MACHINED OD SIDE OF S-1 UNIT

FEATURES/BENEFITS
PAGE B6-2

NOMENCLATURE
PAGE B6-4

SELECTION
PAGE B6-5

SELECTION/DIMENSIONS
PAGE B6-8

SELECTION



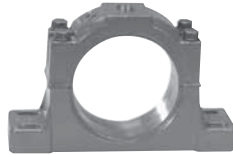
TAF - Smart Stock Selections HOW TO ORDER

Step 1: The Housing Choices Standard Or Drilled

When speed only will be monitored, select the standard housing.

When vibration, and /or temperature will be monitored, select the drilled housing

All housing part numbers shown are 4-bolt base, non-expansion



| Shaft Size | Series | Standard Housing Part Numbers If you are monitoring speed only Part # | Drilled Housing Part Number For temperature and/or vibration Part # |
|------------|--------|---|---|
| 207 | 515 | 037548 | 053067 |
| 215 | 517 | 037550 | 053628 |
| 307 | 520 | 037551 | 067350 |
| 315 | 522 | 037552 | 054960 |
| 407 | 526 | 037553 | 067352 |
| 415 | 528 | 037554 | 067353 |
| 507 | 532 | 042628 | 067354 |
| 515 | 534 | 042630 | 067357 |
| 615 | 538 | 042634 | 067234 |

Step 2: Pick An S1 Unit

Smart S-1 units feature

Embedded thermocouple drilled and tapped holes for prox covers

Special locking collar with prox targets



| Shaft Size | S1 Unit |
|------------|---------|
| 207 | 055805 |
| 215 | 055806 |
| 307 | 055807 |
| 315 | 049235 |
| 407 | 055915 |
| 415 | 055840 |
| 507 | 067355 |
| 515 | 067356 |
| 615 | 067323 |

Step 3: The Sensor Choices

For speed monitoring, use AC prox and prox cover or DC prox and prox cover. (Use DC with EZLINK only)

For temperature monitoring, use thermocouple transmitter or for speed, temperature and vibration monitoring, use EZLINK

| Prox Covers | | |
|-------------|---------|-------------|
| Shaft | Housing | Part Number |
| 207 | 515 | 067340 |
| 215 | 517 | 067342 |
| 307 | 520 | 067343 |
| 315 | 522 | 067344 |
| 407 | 526 | 067345 |
| 415 | 528 | 067346 |
| 507 | 532 | 067347 |
| 515 | 534 | 067347 |
| 615 | 538 | 067348 |

| TAF Sensor kits | Part Number |
|--|-------------|
| AC Prox | 055943 |
| DC Prox | 055948 |
| Thermocouple Transmitter | 055931 |
| EZLINK | 059652 |
| Cable Connector Kit | 063694 |
| 4-20 ma Accelerometer and Thermocouple | 067576 |

* For additional details on DODGE Smart Bearings, see brochure DMR-2026-6

| | | | |
|--------------------------------|---------------------------|------------------------|-----------------------------------|
| FEATURES/BENEFITS PAGE B6-2 | NOMENCLATURE PAGE B6-4 | SELECTION PAGE B6-5 | SELECTION/DIMENSIONS PAGE B6-8 |
|--------------------------------|---------------------------|------------------------|-----------------------------------|

SELECTION



Type E - Metric

SELECTION METRIC TYPE E TAPERED ROLLER BEARINGS

DODGE Type E Double Row Tapered Roller Bearings

have the capacity to carry heavy radial loads, thrust loads, and combined radial and thrust loads. The maximum recommended load which can be applied is limited by various components in the system such as bearing, housing, shaft, shaft attachment, speed and life requirements as listed in this catalog. DODGE Unitized Type E Roller Bearings have been applied successfully even when these limits have been exceeded under controlled operating conditions. Contact DODGE Application Engineering (864-297-4800) for applications which exceed the recommendations of this catalog.

L_{10} Life, Hours -- The fatigue life which may be expected from at least 90% of a given group of bearings operating under identical conditions.

$$L_{10} \text{ Life, Hours} = \left(\frac{C_{90}}{P} \right)^{10/3} \times \frac{1,500,000}{\text{RPM}}$$

Where: C_{90} = Dynamic Capacity (Table 9), kN
 P = Equivalent Radial Load, kN
 (See Equation 1 On Page B6-64 for definition of P)

GENERAL

Heavy Service -- For heavy shock loads, frequent shock loads, or severe vibrations, increase the Equivalent Radial Load up to 50% (according to severity of conditions) to obtain a Modified Equivalent Radial Load. Consult Application Engineering at 864-284-5700 for additional selection assistance.

Thrust load values shown in the table below are recommended as a guide for general applications that will give adequate L_{10} life. With substantial radial loads also present, it is advisable to calculate actual L_{10} life to assure the bearing meets requirements.

| RPM RANGE | 20 - 200 | 201 - 2000 | Over 2000 |
|-------------------------|------------|------------|-------------|
| RECOMMENDED THRUST LOAD | $C_{90}/4$ | $C_{90}/8$ | $C_{90}/12$ |

The shaft tolerances recommended below are adequate for the conditions outlined in this catalog. Since the allowable load, especially at a low speed, is very large, the shaft should be checked to assure adequate shaft strength.

The magnitude and direction of both the thrust and radial load must be taken into account when selecting a shaft size. **Heavy loads should be directed through the base. Where uplift loads are involved see Table 12 for maximum values.** Where a load pulls the housing away from the mounting base, both the hold-down bolts and housing must be of adequate strength. Auxiliary load carrying devices such as shear bars are advisable for side or end loading of plummer blocks.

| SHAFT TOLERANCES | |
|------------------|-----------------|
| SHAFT SIZE | TOLERANCE |
| Up to 35mm | +0.000 - .013mm |
| 40 to 100mm | +0.000 - .025mm |
| 100 - 150mm | +0.000 - .038mm |
| 160 - 180mm | +0.000 - .051mm |

| | | | |
|--------------------------------|---------------------------|------------------------|-----------------------------------|
| FEATURES/BENEFITS PAGE B6-2 | NOMENCLATURE PAGE B6-4 | SELECTION PAGE B6-5 | SELECTION/DIMENSIONS PAGE B6-8 |
|--------------------------------|---------------------------|------------------------|-----------------------------------|

SELECTION



Type E - Metric

SELECTING BEARINGS SUPPORTING RADIAL LOADS ONLY

1. Define the desired L_{10} Life, in Hours
2. Establish bearing radial load, FR, kN
3. Establish RPM.

FR = P for Pure Radial Load Conditions.

P = Equivalent radial load, kN

(The Dodge program BEST• can be used to find application loads.)

Using the easy selection Table 10, Page B6-66 under the RPM column find the equivalent load that equals or is higher than the application radial load for the desired life. The shaft size on the far left will be the minimum shaft size that you can use for your application. If the desired life is different than the values shown on the chart, use alternate Method A shown below.

Example: L_{10} Life = 30,000 Hours
Radial load = 18 kN
RPM = 1000

At the intersection of the 1000 RPM column and at the 30,000 hours L_{10} life row, the equivalent radial load of 25 kN exceeds the 18kN application radial load for shaft sizes

80, 85, and 90. Therefore, an 80, 85, or 90mm E bearing can be used to meet the application conditions of the above example:

ALTERNATE METHOD A --SELECTING A BEARING FOR AN L_{10} LIFE VALUE NOT SHOWN IN THE EASY SELECTION CHART.

The L_{10} life equation can be rearranged so that the bearing dynamic capacity C_{90} is identified in terms of L_{10} , RPM and P.

$$C_{90} = \left(\frac{L_{10} \times \text{RPM}}{1,500,000} \right)^{0.3} \times P$$

(P = F_R for Pure Radial Load Conditions)

Since the L_{10} , RPM, and P are known, solve for C_{90} . Select from the dynamic capacity column on Table 9 the C_{90} value equal to or greater than the C_{90} value just calculated. The bore size on the far left represents the minimum shaft size selection. Check that the application RPM does not exceed the MAX. RPM on Table 9. When selecting a L_{10} life of less than 30,000 hours particular attention must be paid to shaft deflection and proper lubricant selection.

• The DODGE Bearing Evaluation and Selection Technique (BEST) is a menu driven computer program that calculates bearing loads, fatigue life, and operating temperature for a two bearing shaft system based on user supplied input parameters. This interactive program is available at www.ptwizard.com under the Product Selection area.

| | | | |
|--------------------------------|---------------------------|------------------------|-----------------------------------|
| FEATURES/BENEFITS PAGE B6-2 | NOMENCLATURE PAGE B6-4 | SELECTION PAGE B6-5 | SELECTION/DIMENSIONS PAGE B6-8 |
|--------------------------------|---------------------------|------------------------|-----------------------------------|

SELECTION



Type E - Metric

SELECTING BEARINGS SUPPORTING BOTH RADIAL AND THRUST LOADS

When a bearing supports both a radial load and a thrust load, the loading on the two rows is shared unequally depending on the ratio of thrust to radial load. The use of the X (radial factor) and Y (thrust factor) from Table 9 convert the applied thrust load and radial loads to an equivalent radial load having the same effect on the life of the bearing as a radial load of this magnitude.

The equivalent radial load $P = XFR + YFA$
(Equation 1)

Where:

- P = Equivalent radial load, kN
- FR = Radial load, kN
- FA = Thrust (axial) load, kN
- e = Thrust load to radial load factor (Table 1)
- X = Radial load factor (Table 1)
- Y = Thrust load factor (Table 1)

Calculate FA/FR and compare to e for the selected bore size. Determine X and Y from Table 1 depending on whether FA/FR is equal to or less than e, or FA/FR greater than e. Substitute all known values into the equivalent radial load equation. P (equivalent radial load) can be used in the life formula to determine L_{10} life in hours or compared to the allowable equivalent radial load ratings for the speed and hours life desired in the easy selection table.

SELECTING BEARINGS SUPPORTING ONLY THRUST LOADS

Type E tapered roller bearings are well suited to carry pure thrust loads. Follow the same selection procedure used above "Selecting Bearings Supporting Both Radial and Thrust Loads" except the equation $P = XFR + YFA$ reduces to $P = YFA$. (XFR is equal to zero)

TABLE 9 RADIAL AND THRUST FACTORS FOR TYPE E TAPERED ROLLER BEARINGS (METRIC)

| SHAFT SIZE (MM) | e | FA/FR ≤ e | | FA/FR > e | | DYNAMIC CAPACITY C_{90}^* KNEWTONS | MAXIMUM RPM | MAXIMUM SLIP FIT RADIAL LOAD, (FR)k N** |
|-----------------|------|-----------|------|-----------|------|--------------------------------------|-------------|---|
| | | X | Y | X | Y | | | |
| 35 | 0.46 | .87 | 1.89 | .70 | 2.28 | 21.2 | 3,820 | 22.2 |
| 40 | 0.44 | .87 | 1.96 | .70 | 2.37 | 27.3 | 3,320 | 28.5 |
| 45, 50 | 0.33 | .87 | 2.64 | .70 | 3.18 | 35.9 | 3,050 | 37.4 |
| 55 | 0.35 | .87 | 2.38 | .70 | 2.87 | 38.0 | 2,730 | 39.6 |
| 60, 65 | 0.40 | .87 | 2.17 | .70 | 2.63 | 40.4 | 2,420 | 42.2 |
| 70, 75 | 0.45 | .87 | 1.87 | .70 | 2.26 | 42.7 | 2,060 | 44.5 |
| 80, 85, 90 | 0.50 | .87 | 1.71 | .70 | 2.07 | 68.1 | 1,640 | 71.2 |
| 100 | 0.49 | .87 | 1.77 | .70 | 2.14 | 93.4 | 1,530 | 98.0 |
| 110,115 | 0.53 | .87 | 1.63 | .70 | 1.97 | 114.8 | 1,360 | 120.0 |
| 125 | 0.47 | .87 | 1.83 | .70 | 2.21 | 157.9 | 1,200 | 164.6 |
| 135,140,150 | 0.49 | .87 | 1.76 | .70 | 2.12 | 181.1 | 915 | 188.6 |
| 160,170,180 | 0.54 | .87 | 1.61 | .70 | 1.95 | 307.9 | 790 | 320.2 |

| | | | |
|--------------------------------|---------------------------|------------------------|-----------------------------------|
| FEATURES/BENEFITS PAGE B6-2 | NOMENCLATURE PAGE B6-4 | SELECTION PAGE B6-5 | SELECTION/DIMENSIONS PAGE B6-8 |
|--------------------------------|---------------------------|------------------------|-----------------------------------|

SELECTION



Type E - Metric

COMPARING SPHERICAL TO TAPER ROLLER BEARING

The dynamic capacity C (spherical) and C_{90} (taper) are not to the same base. To compare basic dynamic capacities, multiply $C \times .259$ and compare to C_{90} .

To select and then compare, use the complete selection procedure for each type bearing and then compare.

* C_{90} ---Dynamic capacity based on a rated life of 90 million revolutions or 3000 hours at 500 RPM.

** If load exceeds maximum allowable slip fit radial load (F_R), line to line, to-light press fit of shaft required. Application loads up to maximum slip fit radial load may be applied if recommended shaft tolerances are used.

D-LOK

Type E Family

Speciality Tapered

S-2000

UNISPHERE II

| | | | |
|--------------------------------|---------------------------|------------------------|-----------------------------------|
| FEATURES/BENEFITS PAGE B6-2 | NOMENCLATURE PAGE B6-4 | SELECTION PAGE B6-5 | SELECTION/DIMENSIONS PAGE B6-8 |
|--------------------------------|---------------------------|------------------------|-----------------------------------|

SELECTION



Type E - Metric

TABLE 10 - EASY SELECTION TABLE FOR TYPE E, DOUBLE ROW TAPERED ROLLER BEARINGS (METRIC)

| SHAFT SIZE, MM | L10 LIFE, HRS. | ALLOWABLE EQUIVALENT RADIAL LOAD RATING (kN) AT VARIOUS REVOLUTIONS PER MINUTE | | | | | | | | | | | | | | |
|----------------|----------------|--|-----|-----|-----|-----|-----|------|------|------|------|------|------|------|------|------|
| | | 50 | 100 | 150 | 250 | 500 | 750 | 1000 | 1250 | 1500 | 1750 | 2000 | 2500 | 2700 | 3000 | 3500 |
| 35 | 10000 | 30 | 25 | 20 | 20 | 15 | 15 | 10 | 10 | 10 | 10 | 10 | 10 | 10 | 10 | 10 |
| | 30000 | 20 | 15 | 15 | 15 | 10 | 10 | 10 | 10 | 5 | 5 | 5 | 5 | 5 | 5 | 5 |
| | 40000 | 20 | 15 | 15 | 10 | 10 | 10 | 5 | 5 | 5 | 5 | 5 | 5 | 5 | 5 | 5 |
| | 60000 | 15 | 15 | 10 | 10 | 10 | 5 | 5 | 5 | 5 | 5 | 5 | 5 | 5 | 5 | 5 |
| | 100000 | 15 | 10 | 10 | 10 | 5 | 5 | 5 | 5 | 5 | 5 | 5 | 5 | 5 | 5 | 5 |
| 40 | 10000 | 35 | 30 | 25 | 25 | 20 | 15 | 15 | 15 | 15 | 15 | 10 | 10 | 10 | 10 | 10 |
| | 30000 | 25 | 20 | 20 | 15 | 15 | 10 | 10 | 10 | 10 | 10 | 10 | 10 | 5 | 5 | 5 |
| | 40000 | 25 | 20 | 20 | 15 | 10 | 10 | 10 | 10 | 10 | 10 | 5 | 5 | 5 | 5 | 5 |
| | 60000 | 20 | 20 | 15 | 15 | 10 | 10 | 10 | 10 | 5 | 5 | 5 | 5 | 5 | 5 | 5 |
| | 100000 | 20 | 15 | 15 | 10 | 10 | 10 | 5 | 5 | 5 | 5 | 5 | 5 | 5 | 5 | 5 |
| 45 50 | 10000 | 55 | 45 | 40 | 35 | 25 | 25 | 20 | 20 | 20 | 20 | 20 | 15 | 15 | 15 | -- |
| | 30000 | 40 | 30 | 30 | 25 | 20 | 15 | 15 | 15 | 15 | 15 | 15 | 10 | 10 | 10 | -- |
| | 40000 | 35 | 30 | 25 | 20 | 20 | 15 | 15 | 15 | 15 | 10 | 10 | 10 | 10 | 10 | -- |
| | 60000 | 30 | 25 | 25 | 20 | 15 | 15 | 15 | 10 | 10 | 10 | 10 | 10 | 10 | 10 | -- |
| | 100000 | 25 | 20 | 20 | 15 | 15 | 10 | 10 | 10 | 10 | 10 | 10 | 10 | 10 | 10 | -- |
| 55 | 10000 | 50 | 40 | 40 | 30 | 25 | 25 | 20 | 20 | 20 | 15 | 15 | 15 | 15 | 15 | -- |
| | 30000 | 40 | 30 | 25 | 25 | 20 | 15 | 15 | 15 | 15 | 10 | 10 | 10 | 10 | 10 | -- |
| | 40000 | 35 | 30 | 25 | 20 | 15 | 15 | 15 | 15 | 10 | 10 | 10 | 10 | 10 | 10 | -- |
| | 60000 | 30 | 25 | 20 | 20 | 15 | 15 | 10 | 10 | 10 | 10 | 10 | 10 | 10 | 10 | -- |
| | 100000 | 25 | 20 | 20 | 15 | 15 | 10 | 10 | 10 | 10 | 10 | 10 | 10 | 10 | 5 | -- |
| 60 65 | 10000 | 55 | 45 | 40 | 35 | 30 | 25 | 20 | 20 | 20 | 20 | 15 | -- | -- | -- | -- |
| | 30000 | 40 | 30 | 30 | 25 | 20 | 15 | 15 | 15 | 15 | 15 | 10 | -- | -- | -- | -- |
| | 40000 | 35 | 30 | 25 | 20 | 20 | 15 | 15 | 15 | 15 | 10 | 10 | -- | -- | -- | -- |
| | 60000 | 30 | 25 | 25 | 20 | 15 | 15 | 15 | 10 | 10 | 10 | 10 | -- | -- | -- | -- |
| | 100000 | 30 | 20 | 20 | 15 | 15 | 10 | 10 | 10 | 10 | 10 | 10 | -- | -- | -- | -- |
| 70 75 | 10000 | 60 | 50 | 40 | 35 | 30 | 25 | 25 | 20 | 20 | 20 | 20 | -- | -- | -- | -- |
| | 30000 | 40 | 35 | 30 | 25 | 20 | 20 | 15 | 15 | 15 | 15 | 15 | -- | -- | -- | -- |
| | 40000 | 40 | 30 | 30 | 25 | 20 | 15 | 15 | 15 | 15 | 10 | 10 | -- | -- | -- | -- |
| | 60000 | 35 | 30 | 25 | 20 | 15 | 15 | 15 | 15 | 10 | 10 | 10 | -- | -- | -- | -- |
| | 100000 | 30 | 25 | 20 | 20 | 15 | 15 | 10 | 10 | 10 | 10 | 10 | -- | -- | -- | -- |
| 80 85 90 | 10000 | 95 | 75 | 70 | 60 | 45 | 40 | 40 | 35 | 35 | 30 | -- | -- | -- | -- | -- |
| | 30000 | 70 | 55 | 50 | 40 | 35 | 30 | 25 | 25 | 25 | 25 | -- | -- | -- | -- | -- |
| | 40000 | 60 | 50 | 45 | 40 | 30 | 25 | 25 | 25 | 20 | 20 | -- | -- | -- | -- | -- |
| | 60000 | 55 | 45 | 40 | 35 | 25 | 25 | 20 | 20 | 20 | 20 | -- | -- | -- | -- | -- |
| | 100000 | 45 | 40 | 35 | 30 | 25 | 20 | 20 | 20 | 20 | 15 | 15 | -- | -- | -- | -- |
| 100 | 10000 | 130 | 105 | 95 | 80 | 65 | 55 | 50 | 50 | 45 | -- | -- | -- | -- | -- | -- |
| | 30000 | 95 | 75 | 65 | 55 | 45 | 40 | 40 | 35 | 35 | -- | -- | -- | -- | -- | -- |
| | 40000 | 85 | 70 | 60 | 50 | 40 | 40 | 35 | 30 | 30 | -- | -- | -- | -- | -- | -- |
| | 60000 | 75 | 60 | 55 | 45 | 40 | 35 | 30 | 30 | 25 | -- | -- | -- | -- | -- | -- |
| | 100000 | 65 | 50 | 45 | 40 | 30 | 30 | 25 | 25 | 25 | -- | -- | -- | -- | -- | -- |

For Maximum RPM See Table 1 on Page B6-14.

In The Shaded Area E, DI & TAF Mounted Unites Required Line-To-Line Press Fit To Shaft

| | | | |
|--------------------------------|---------------------------|------------------------|-----------------------------------|
| FEATURES/BENEFITS PAGE B6-2 | NOMENCLATURE PAGE B6-4 | SELECTION PAGE B6-5 | SELECTION/DIMENSIONS PAGE B6-8 |
|--------------------------------|---------------------------|------------------------|-----------------------------------|

SELECTION



Type E - Metric

TABLE 10 - EASY SELECTION TABLE FOR TYPE E, DOUBLE ROW TAPERED ROLLER BEARINGS (METRIC)

| SHAFT SIZE, MM | L10 LIFE, HRS. | ALLOWABLE EQUIVALENT RADIAL LOAD RATING (kN) AT VARIOUS REVOLUTIONS PER MINUTE | | | | | | | | | | | | | | |
|-------------------|----------------|--|-----|-----|-----|-----|-----|------|------|------|------|------|------|------|------|------|
| | | 50 | 100 | 150 | 250 | 500 | 750 | 1000 | 1250 | 1500 | 1750 | 2000 | 2500 | 2700 | 3000 | 3500 |
| 110 115 | 10000 | 160 | 130 | 115 | 100 | 80 | 70 | 65 | 60 | -- | -- | -- | -- | -- | -- | -- |
| | 30000 | 115 | 95 | 80 | 70 | 55 | 50 | 45 | 45 | -- | -- | -- | -- | -- | -- | -- |
| | 40000 | 105 | 85 | 75 | 65 | 50 | 45 | 40 | 40 | -- | -- | -- | -- | -- | -- | -- |
| | 60000 | 95 | 75 | 65 | 55 | 45 | 40 | 35 | 35 | -- | -- | -- | -- | -- | -- | -- |
| | 100000 | 80 | 65 | 55 | 50 | 40 | 35 | 30 | 30 | -- | -- | -- | -- | -- | -- | -- |
| 125 | 10000 | 220 | 180 | 155 | 135 | 110 | 95 | 90 | 85 | -- | -- | -- | -- | -- | -- | -- |
| | 30000 | 155 | 130 | 115 | 95 | 80 | 70 | 65 | 60 | -- | -- | -- | -- | -- | -- | -- |
| | 40000 | 145 | 115 | 105 | 90 | 70 | 65 | 60 | 55 | -- | -- | -- | -- | -- | -- | -- |
| | 60000 | 130 | 105 | 90 | 80 | 65 | 55 | 50 | 50 | -- | -- | -- | -- | -- | -- | -- |
| | 100000 | 110 | 90 | 80 | 65 | 55 | 50 | 45 | 40 | -- | -- | -- | -- | -- | -- | -- |
| 135 140 150 | 10000 | 250 | 205 | 180 | 155 | 125 | 110 | 100 | -- | -- | -- | -- | -- | -- | -- | -- |
| | 30000 | 180 | 145 | 130 | 110 | 90 | 80 | 75 | -- | -- | -- | -- | -- | -- | -- | -- |
| | 40000 | 165 | 135 | 120 | 100 | 85 | 75 | 65 | -- | -- | -- | -- | -- | -- | -- | -- |
| | 60000 | 145 | 120 | 105 | 90 | 75 | 65 | 60 | -- | -- | -- | -- | -- | -- | -- | -- |
| | 100000 | 125 | 100 | 90 | 75 | 65 | 55 | 50 | -- | -- | -- | -- | -- | -- | -- | -- |
| 160 170 180 | 10000 | 430 | 345 | 305 | 265 | 215 | 190 | -- | -- | -- | -- | -- | -- | -- | -- | -- |
| | 30000 | 305 | 250 | 220 | 190 | 155 | 135 | -- | -- | -- | -- | -- | -- | -- | -- | -- |
| | 40000 | 280 | 230 | 205 | 175 | 140 | 125 | -- | -- | -- | -- | -- | -- | -- | -- | -- |
| | 60000 | 250 | 205 | 180 | 155 | 125 | 110 | -- | -- | -- | -- | -- | -- | -- | -- | -- |
| | 100000 | 215 | 175 | 155 | 130 | 105 | 95 | -- | -- | -- | -- | -- | -- | -- | -- | -- |

For Maximum RPM See Table 1 on Page B6-14.

In The Shaded Area E, DI & TAF Mounted Unites Required Line-To-Line Press Fit To Shaft

D-LOK

Type E Family

Speciality Tapered

S-2000

UNISPHERE II

| | | | |
|--------------------------------|---------------------------|------------------------|-----------------------------------|
| FEATURES/BENEFITS PAGE B6-2 | NOMENCLATURE PAGE B6-4 | SELECTION PAGE B6-5 | SELECTION/DIMENSIONS PAGE B6-8 |
|--------------------------------|---------------------------|------------------------|-----------------------------------|

SELECTION



Type E

LUBRICATION

DODGE Type E Metric Tapered Roller Bearings are lubricated at the factory with Mobilith AW 2 grease up to 125mm and with Mobilux #2 EP above 125mm. Mobilith AW 2 is a superior industrial grease using a lithium complex thickener and a highly refined base oil. Mobilux #2EP grease is a superior industrial greases using a lithium hydroxystearate thickener and highly refined base oil. These greases will adequately handle low and medium speeds with low and medium loads at normal temperatures as defined on Table 13. For very low and high speeds, for heavy loads and for low and high temperatures, special greases must be used. Contact DODGE Application Engineering (864) 284-5700. DODGE engineers will recommend bearings and lubricants for the unusual conditions. DODGE also has the expertise to custom design and build special bearings for your needs.

High Speed Operation --- In the higher speed ranges too much grease will cause overheating. The amount of grease that the bearing will take for particular high speed application can only be determined by experience. If excess grease in the bearing caused overheating, it will be necessary to remove grease fitting (also drain plug when furnished) to permit excess grease to escape. When establishing a relubrication schedule, note that a small amount of grease at frequent intervals is preferable to a large amount at infrequent intervals.

Operation in Presence of Dust, Water or Corrosive Vapors

--- Under these conditions the bearing should contain as much grease as speed will permit, since a full bearing with consequent slight leakage is the best protection against entrance of foreign material. In the higher speed ranges too much grease will cause overheating --- see "High Speed Operation". In the lower speed ranges, it is advisable to add extra grease to a new bearing before putting into operation. Bearings should be greased as often as necessary (daily if required) to maintain a slight leakage at the seals.

INSTALLATION AND MAINTENANCE

In nearly all applications good design practice requires two bearings supporting the shaft. In cases where three or more bearings are installed, unless precautions are taken to line the bearings up, both vertically and horizontally, it is possible to induce heavy loads. To ensure good alignment, mounting surfaces must be checked for flatness and must lie in the same plane. When tightening base bolts and cap bolts, each bolt should be alternately tightened in incremental torque values until full torque is achieved to prevent the angular shifting of the pillow block that occurs when one bolt is tightened to its full torque. Shimming may be required to minimize misalignment.

TABLE 11 - RELUBRICATION SCHEDULE

| Hours Run per Day | SUGGESTED LUBRICATION PERIOD IN WEEKS | | | | | | | |
|-------------------|---------------------------------------|----------------|----------------|-----------------|------------------|------------------|------------------|------------------|
| | 1 to 250 RPM | 251 to 500 RPM | 501 to 750 RPM | 751 to 1000 RPM | 1001 to 1500 RPM | 1501 to 2000 RPM | 2001 to 2500 RPM | 2501 to 3000 RPM |
| 8 | 12 | 12 | 10 | 7 | 5 | 4 | 3 | 2 |
| 16 | 12 | 7 | 5 | 4 | 2 | 2 | 2 | 1 |
| 24 | 10 | 5 | 3 | 2 | 1 | 1 | 1 | 1 |

| | | | |
|--------------------------------|---------------------------|------------------------|-----------------------------------|
| FEATURES/BENEFITS PAGE B6-2 | NOMENCLATURE PAGE B6-4 | SELECTION PAGE B6-5 | SELECTION/DIMENSIONS PAGE B6-8 |
|--------------------------------|---------------------------|------------------------|-----------------------------------|

SELECTION



Type E - Metric

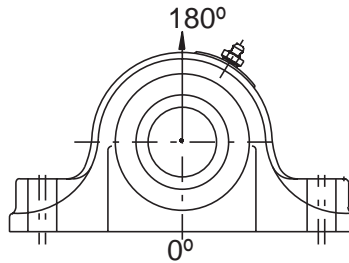


TABLE 12 - TYPE HOUSING RATINGS, GRAY IRON

| BORE SIZE MM | MAXIMUM HOUSING CAP LOADS, kN |
|-----------------|----------------------------------|
| | P180 |
| 35 | 14 |
| 40 | 13 |
| 45, 50 | 23 |
| 55 | 16 |
| 60, 65 | 29 |
| 70, 75 | 31 |
| 80, 85, 90 | 70 |
| 100 | 72 |
| 110, 115 | 93 |
| 125 | 116 |
| 135, 140, 150 | 194 |
| 160, 170, 180 | 204 |

TABLE 13 - DEFINITION OF OPERATING CONDITIONS FOR TAPERED ROLLER BEARINGS

| | |
|-----------------------|---------------------------------|
| LOW SPEED | UP TO 20% OF MAX. RPM (TABLE 9) |
| MEDIUM SPEED | OVER 20% TO 80% OF MAX. RPM |
| HIGH SPEED | OVER 80% OF MAX. RPM |
| LIGHT LOAD | UP TO 30% OF C90 (TABLE 9) |
| NORMAL LOAD | OVER 30% TO 70% OF C90 |
| HEAVY LOAD | OVER 70% OF C90 |
| LOW TEMPERATURE | -75°C TO - 10°C |
| MEDIUM TEMPERATURE | ABOVE - 10°C TO 100°C |
| HIGH TEMPERATURE | ABOVE 100°C TO 150°C |
| VERY HIGH TEMPERATURE | ABOVE 150°C TO 205°C |

| | | | |
|--------------------------------|---------------------------|------------------------|-----------------------------------|
| FEATURES/BENEFITS PAGE B6-2 | NOMENCLATURE PAGE B6-4 | SELECTION PAGE B6-5 | SELECTION/DIMENSIONS PAGE B6-8 |
|--------------------------------|---------------------------|------------------------|-----------------------------------|

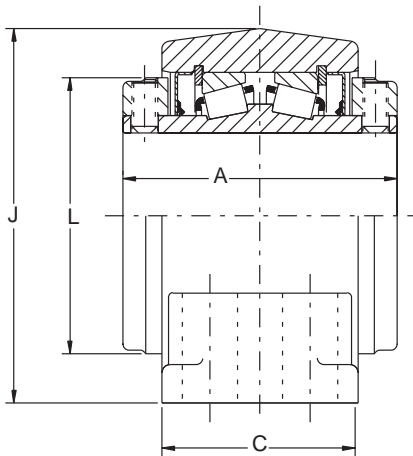
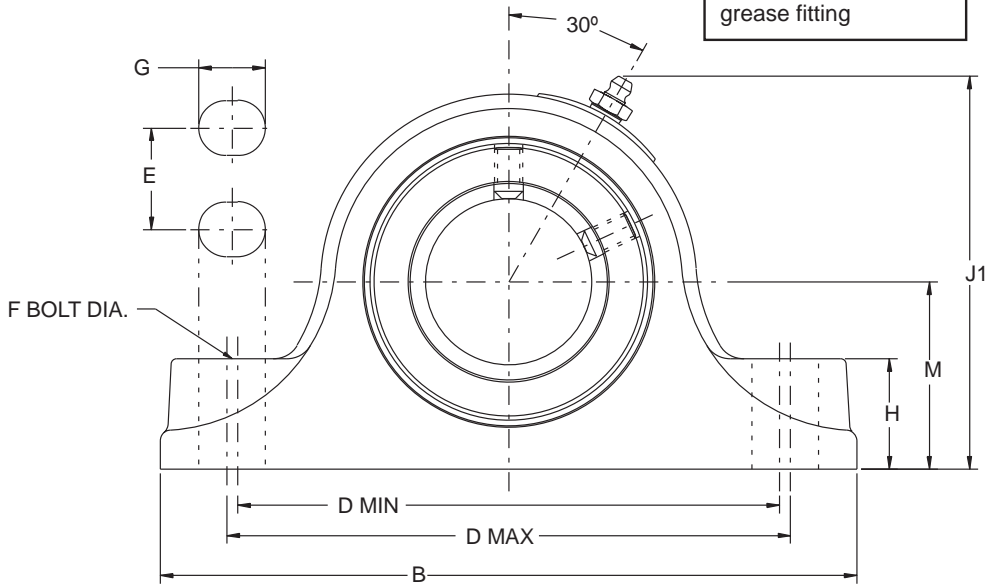


SELECTION/DIMENSIONS

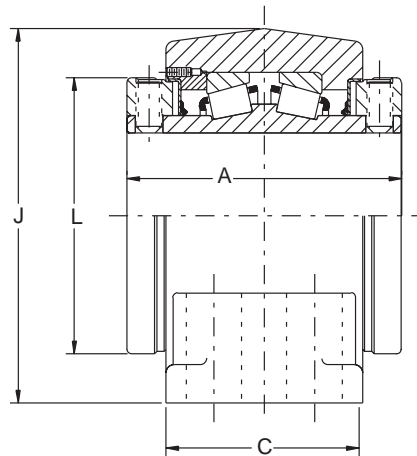


Type E - Plummer Block - Metric 2 & 4 BOLT BASE

NOTE: All sizes use a 1/8 - 27 NPT hydraulic grease fitting



35mm THRU 75mm CONSTRUCTION



80mm THRU 125mm CONSTRUCTION

D-LOK

Type E Family

Specialty Tapered

S-2000

UNISPHERE II

| | | | |
|--------------------------------|---------------------------|------------------------|-----------------------------------|
| FEATURES/BENEFITS PAGE B6-2 | NOMENCLATURE PAGE B6-4 | SELECTION PAGE B6-5 | SELECTION/DIMENSIONS PAGE B6-8 |
|--------------------------------|---------------------------|------------------------|-----------------------------------|

SELECTION/DIMENSIONS



Type E - Plummer Block - Metric

TYPE E PLUMMER BLOCKS, 2-BOLT

| SHAFT SIZE (mm) | PART NUMBER | PART NAME | WEIGHT LBS. (APPROX.) |
|-----------------|-------------|-------------|-----------------------|
| 35mm | 023620 | P2B-E-035MR | 7 |
| 40mm | 023621 | P2B-E-040MR | 10 |
| 45mm | 023622 | P2B-E-045MR | 12 |
| 50mm | 023623 | P2B-E-050MR | 12 |
| 55mm | 023624 | P2B-E-055MR | 15 |
| 60mm | 023625 | P2B-E-060MR | 20 |
| 65mm | 023626 | P2B-E-065MR | 20 |
| 70mm | 023627 | P2B-E-070MR | 29 |
| 75mm | 023628 | P2B-E-075MR | 27 |
| 80mm | 023629 | P2B-E-080MR | 49 |
| 85mm | 023630 | P2B-E-085MR | 47 |
| 90mm | 023631 | P2B-E-090MR | 45 |

TYPE E PLUMMER BLOCKS, 4-BOLT

| SHAFT SIZE (mm) | PART NUMBER | PART NAME | WEIGHT LBS. (APPROX.) |
|-----------------|-------------|-------------|-----------------------|
| 100mm | 023632 | P4B-E-100MR | 69 |
| 110mm | 023633 | P4B-E-110MR | 85 |
| 115mm | 023634 | P4B-E-115MR | 91 |
| 125mm | 023635 | P4B-E-125MR | 136 |
| 135mm | 023636 | P4B-E-135MR | 245 |
| 140mm | 023637 | P4B-E-140MR | 240 |
| 150mm | 023638 | P4B-E-150MR | 235 |
| 160mm | 023639 | P4B-E-160MR | 355 |
| 170mm | 023640 | P4B-E-170MR | 345 |
| 180mm | 023641 | P4B-E-180MR | 345 |

TYPE E PLUMMER BLOCKS, 2-BOLT BASE

| SHAFT SIZE (mm) | A | B | C | D | | F Bolts | G | H | J1 | L | M |
|-----------------|-------|-------|------|-------|-------|---------|----|----|-------|-------|------|
| | | | | Min. | Max. | | | | | | |
| 35mm | 76.2 | 187.0 | 54.0 | 142.8 | 149.2 | M12 | 19 | 29 | 101.6 | 70 | 47.6 |
| 40mm | 85.7 | 200.0 | 60.0 | 155.5 | 161.9 | M12 | 19 | 32 | 113.5 | 81 | 54.0 |
| 45mm | 88.9 | 225.0 | 64.0 | 174.6 | 181.0 | M16 | 22 | 33 | 119 | 87 | 57.2 |
| 50mm | | | | | | | | | | | |
| 55mm | 95.3 | 244.0 | 67.0 | 193.7 | 200.0 | M16 | 22 | 38 | 131.4 | 95 | 63.5 |
| 60mm | 101.6 | 267.0 | 73.0 | 212.7 | 219.0 | M16 | 22 | 41 | 142.8 | 103 | 69.9 |
| 65mm | | | | | | | | | | | |
| 70mm | 114.3 | 305.0 | 76.0 | 236.5 | 246.0 | M20 | 27 | 48 | 161.1 | 120 | 79.4 |
| 75mm | | | | | | | | | | | |
| 80mm | 127.0 | 356.0 | 89.0 | 274.6 | 284.2 | M20 | 30 | 57 | 190.5 | 139.7 | 95.3 |
| 85mm | | | | | | | | | | | |
| 90mm | | | | | | | | | | | |

TYPE E PLUMMER BLOCKS, 4-BOLT BASE

| SHAFT SIZE (mm) | A | B | C | D | | E | F Bolts | G | H | J1 | L | M |
|-----------------|-------|-----|-----|-------|-------|-------|---------|----|----|-----|-------|-------|
| | | | | Min. | Max. | | | | | | | |
| 100mm | 158.8 | 387 | 114 | 311.2 | 323.9 | 57.2 | M20 | 28 | 62 | 216 | 152.4 | 108.0 |
| 110mm | 171.5 | 422 | 117 | 336.6 | 349.3 | 63.5 | M20 | 28 | 70 | 238 | 164 | 120.7 |
| 115mm | | | | | | | | | | | | |
| 125mm | 184.2 | 470 | 130 | 387.4 | 400.0 | 73.0 | M24 | 32 | 76 | 276 | 189 | 139.7 |
| 135mm | 228.6 | 559 | 159 | 441.3 | 485.8 | 95.3 | M24 | 51 | 83 | 335 | 238 | 169.9 |
| 140mm | | | | | | | | | | | | |
| 150mm | | | | | | | | | | | | |
| 160mm | 266.7 | 660 | 181 | 539.8 | 590.6 | 117.5 | M24 | 51 | 94 | 379 | 289 | 190.5 |
| 170mm | | | | | | | | | | | | |
| 180mm | | | | | | | | | | | | |

| | | | |
|--------------------------------|---------------------------|------------------------|-----------------------------------|
| FEATURES/BENEFITS PAGE B6-2 | NOMENCLATURE PAGE B6-4 | SELECTION PAGE B6-5 | SELECTION/DIMENSIONS PAGE B6-8 |
|--------------------------------|---------------------------|------------------------|-----------------------------------|

SELECTION/DIMENSIONS



DOUBLE-INTERLOCK - Metric

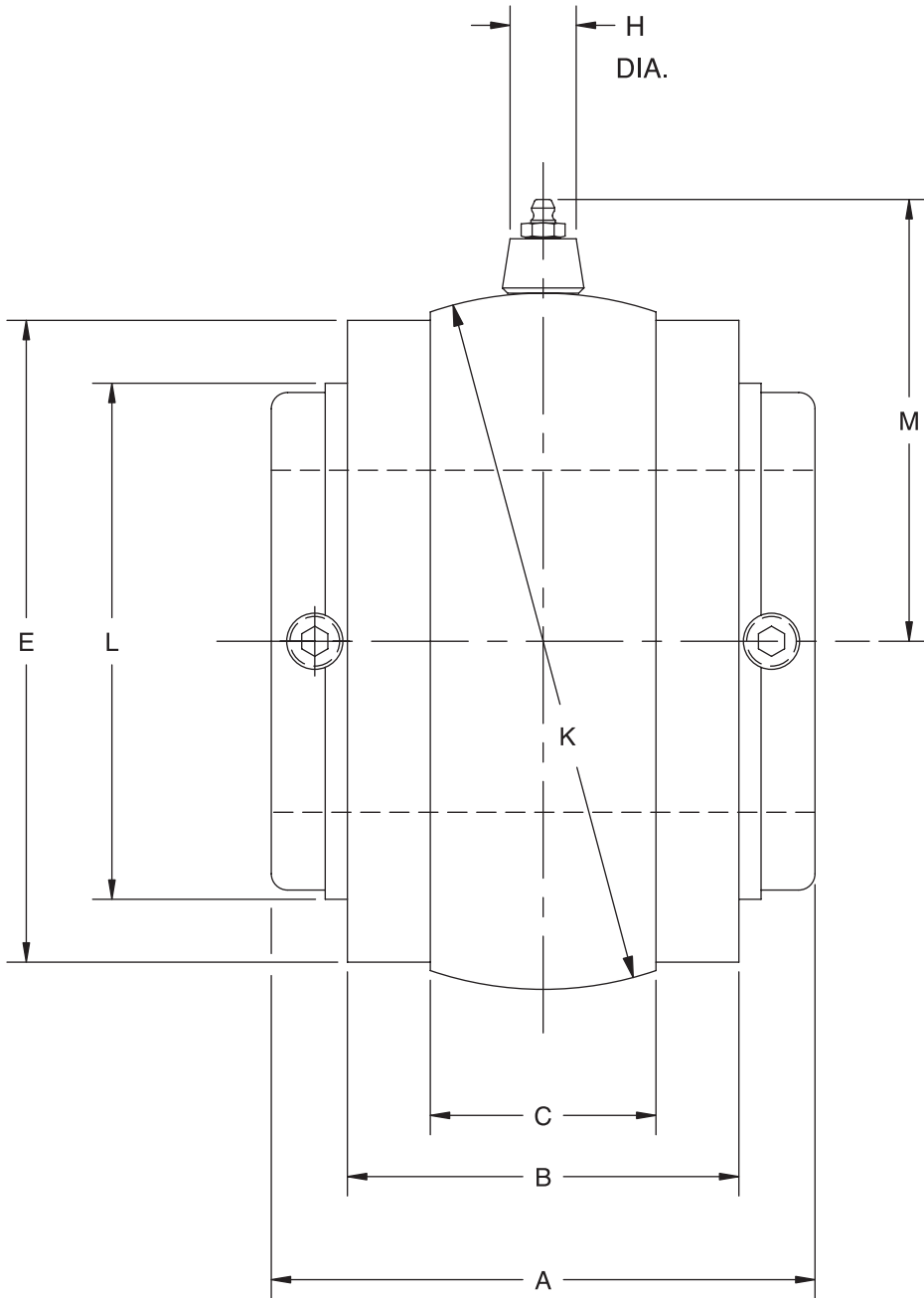
D-LOK

Type E Family

Specialty Tapered

S-2000

UNISPHERE II



FEATURES/BENEFITS
PAGE B6-2

NOMENCLATURE
PAGE B6-4

SELECTION
PAGE B6-5

SELECTION/DIMENSIONS
PAGE B6-8

SELECTION/DIMENSIONS



DOUBLE-INTERLOCK - Metric

| METRIC DOUBLE INTERLOCK "S-1" UNITS - FRAY IRON | | | |
|---|-------------|-------------|---------------------|
| SHAFT SIZE # | PART NUMBER | PART NAME | WEIGHT LBS (APPROX) |
| 35mm | 023700 | S1U-DI-035M | 5 |
| 40mm | 023701 | S1U-DI-040M | 6 |
| 45mm | 023702 | S1U-DI-045M | 8 |
| 50mm | 023703 | S1U-DI-050M | 8 |
| 55mm | 023704 | S1U-DI-055M | 10 |
| 60mm | 023705 | S1U-DI-060M | 11 |
| 65mm | 023706 | S1U-DI-065M | 10 |
| 70mm | 023707 | S1U-D9-070M | 17 |
| 75mm | 023708 | S1U-DI-075M | 17 |
| 80mm | 023709 | S1U-DI-080M | 33 |
| 85mm | 023710 | S1U-DI-085M | 32 |
| 90mm | 023711 | S1U-DI-090M | 31 |
| 100mm | 023712 | S1U-DI-100M | 42 |
| 110mm | 023713 | S1U-DI-110M | 55 |
| 115mm | 023714 | S1U-DI-115M | 71 |
| 125mm | 023715 | S1U-DI-125M | 85 |

For housing references see the following pages: Pillow Blocks (B6-22 - B6-25) Flange Bearings (B6-26 - B6-29)

| SHAFT SIZE (mm) | A | B | C | E | | H DIA | K | L | M |
|-----------------|-------|-------|-------|-----------|-----------|-------|---------|-------|-------|
| | | | | MACH SIZE | CAST SIZE | | | | |
| 35mm | 3.00 | 2.063 | 1.156 | 3.250 | 3-5/16 | 0.688 | 3.625* | 2.750 | 2.640 |
| 40mm | 3.375 | 2.313 | 1.188 | 3.750 | 3-13/16 | .0688 | 4.125* | 3.188 | 2.890 |
| 45mm | 3.500 | 2.875 | 1.500 | 4.125 | 4-3/16 | 0.688 | 4.562* | 3.438 | 3.100 |
| 50mm | | | | | | | | | |
| 55mm | 3.750 | 2.563 | 1.563 | 4.500 | 4-5/8 | 0.688 | 5.000* | 3.750 | 3.320 |
| 60mm | 4.000 | 2.750 | 1.438 | 4.812 | 4-7/8 | 0.688 | 5.186* | 4.063 | 3.410 |
| 65mm | | | | | | | | | |
| 70mm | 4.500 | 3.000 | 1.875 | 5.563 | 5-5/8 | 0.688 | 6.061* | 4.719 | 3.850 |
| 75mm | | | | | | | | | |
| 80mm | 5.000 | 3.500 | 2.00 | 6.813 | 6-7/8 | 0.688 | 7.373# | 5.531 | 4.510 |
| 85mm | | | | | | | | | |
| 90mm | | | | | | | | | |
| 100mm | 6.250 | 4.500 | 2.375 | 7.438 | 7-1/2 | 0.313 | 7.997# | 6.125 | 5.160 |
| 110mm | 6.750 | 4.625 | 2.375 | 8.313 | 8-3/8 | 0.313 | 8.872# | 6.438 | 5.600 |
| 115mm | | | | | | | | | |
| 125mm | 7.250 | 5.125 | 2.875 | 9.563 | 9-5/8 | 0.313 | 10.184# | 7.438 | 6.260 |

ALL DIMENSIONS ARE SHOWN IN INCHES

* +.000 to -.001"
+/- .0005"

| | | | |
|--------------------------------|---------------------------|------------------------|-----------------------------------|
| FEATURES/BENEFITS PAGE B6-2 | NOMENCLATURE PAGE B6-4 | SELECTION PAGE B6-5 | SELECTION/DIMENSIONS PAGE B6-8 |
|--------------------------------|---------------------------|------------------------|-----------------------------------|

NOTES



D-LOK

Type E Family

Specialty Tapered

S-2000

UNISPHERE II

| | | | |
|--------------------------------|---------------------------|------------------------|-----------------------------------|
| FEATURES/BENEFITS PAGE B5-2 | NOMENCLATURE PAGE B5-4 | SELECTION PAGE B5-5 | SELECTION/DIMENSIONS PAGE B5-8 |
|--------------------------------|---------------------------|------------------------|-----------------------------------|

CONTENTS



Speciality Tapered Products

Features / Benefits

| | |
|--------------------------|------|
| Type C | B7-2 |
| Special Duty, Hinged Cap | B7-3 |
| All Steel | B7-4 |

Specifications

| | |
|---|-------|
| Type C | B7-5 |
| Special Duty, Hinged Cap & Traction Wheel | B7-22 |
| All Steel | B7-48 |

How to Order

| | |
|--------------------------|-------|
| Type C | B7-6 |
| Special Duty, Hinged Cap | B7-23 |
| All Steel | B7-49 |

Nomenclature

| | |
|---|-------|
| Type C | B7-7 |
| Special Duty, Hinged Cap & Traction Wheel | B7-24 |
| All Steel | B7-50 |

Selection

| | |
|---|-------|
| Type C | B7-8 |
| Special Duty, Hinged Cap & Traction Wheel | B7-25 |
| All Steel | B7-51 |

Selection / Dimensions

| | |
|-----------------|-------|
| Type C | |
| Pillow Block | B7-10 |
| Flanges | B7-14 |
| Units | B7-16 |
| Take-Ups | B7-18 |
| Hanger Bearings | B7-20 |

Special Duty

| | |
|----------------|-------|
| Pillow Blocks | B7-32 |
| Flanges | B7-38 |
| Units | B7-40 |
| Hinged Caps | B7-44 |
| Traction Wheel | B7-47 |

All Steel

| | |
|-----------------|-------|
| Pillow Blocks | B7-56 |
| Cartridge Units | B7-58 |

| | |
|-------------------|---------|
| Part Number Index | INDEX-1 |
|-------------------|---------|

| | |
|----------------|----------|
| Key Word Index | INDEX-34 |
|----------------|----------|

D-LOK

Type E Family

Speciality Tapered

S-2000

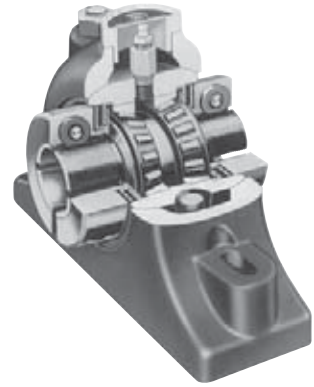
UNISPHERE II

FEATURES/BENEFITS



Speciality Tapered Products TYPE C

- Positive Concentric Clamp Sleeve Mounting
- Steel Multiple Labyrinth Seals
- 2 Quality Single Row
- Tapered Roller Assemblies
- Rugged Two-Piece Housing
- Elongated Bolt Holes



2-1/2" to 5" NE Construction Shown,
Expansion also Available



CLAMP SLEEVE MOUNTING -

- Two quality single row tapered bearings press fitted on sleeve
- Outer races shouldered against rib in housing
- Offers improved concentricity over other collar mounted types of bearings
- Best bearing unit for wheel or sprocket applications
- Two piece split collars used on 2-1/2" and larger sizes
- Single piece split collars, used on smaller sizes
- Performs flinger like function keeping many materials away from seal



STEEL MULTIPLE LABYRINTH SEALS

- Combine with collars offering excellent resistance to keep contaminants out of the bearing
- Seal bearing both on and off the shaft before, during and after installation
- Especially well suited on applications where dirt and dust are severe



RUGGED TWO PIECE OUTER HOUSING

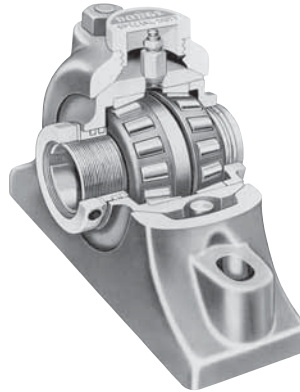
- Split housing of heavy duty gray iron construction houses completely assembled inner unit
- Elongated bolt holes provide lateral adjustment for ease of installing pillow blocks

FEATURES/BENEFITS

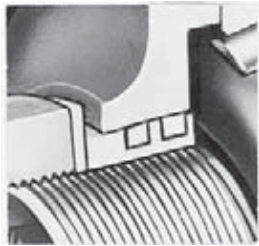


Speciality Tapered Products SPECIAL DUTY

- Quality Duplex Tapered
- Roller Bearing
- Tapered Adapter Sleeve
- Mounting
- Effective Piston Ring Seals
- Rugged Two-Piece Housing
- Elongated Bolt Holes



1-3/8" to 3-1/2" NE Type Construction Shown



SPECIAL DUTY PILLOW BLOCKS DUAL PISTON RING SEALS -

- Contained within self aligning inner unit, to be unaffected by misalignment
- Seal bearing both on and off the shaft before, during and after installation
- Extremely close clearances to exclude most materials from entering bearings



TAPERED ADAPTER SLEEVE MOUNTING

- A split tapered adapter sleeve extending thru the entire length of the pillow block is used to securely fasten the bearing to the shaft tighter than shorter adapter sleeves
- A single adapter nut is used on sizes 3-1/2" and smaller with two adapter nuts being used on the larger sizes. The adapter nut at the large end of the taper can be used to remove the bearing from the shaft



DUPLEX TAPERED ROLLER BEARING

- Uses case hardened inner race, outer races and rollers with adapter sleeve mounting resulting in unsurpassed load handling capability and longer useful bearing life
- Handles any combination of radial and thrust load from 100% radial load to 100% thrust load



RUGGED TWO PIECE OUTER HOUSING

- Split housing of heavy duty gray iron construction houses completely assembled inner unit
- Elongated bolt holes provide lateral adjustment for ease of installing pillow blocks

D-LOK

Type E Family

Speciality Tapered

S-2000

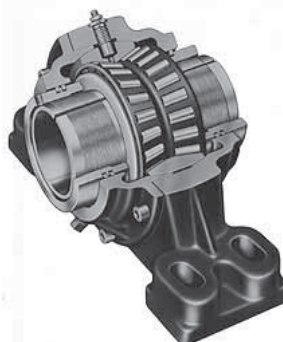
UNISPHERE II

FEATURES/BENEFITS



Speciality Tapered Products ALL STEEL

- Quality Duplex Tapered Roller Bearing
- Tapered Adapter Sleeve Mounting
- Dual Piston Ring Seals
- Solid One-Piece Cast Steel Housing



DUPLEX TAPERED ROLLER BEARING

- Uses case hardened inner race, outer races and rollers with adapter sleeve mounting resulting in unsurpassed load handling capability and longer useful bearing life.
- Handles any combination of radial and thrust load from 100% radial load to 100% thrust load



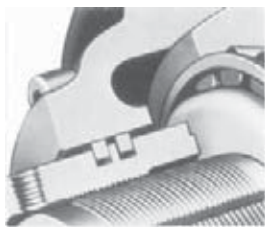
TAPERED ADAPTER SLEEVE MOUNTING

- A split tapered adapter sleeve extending thru the entire length of the pillow block is used to securely fasten the bearing to the shaft tighter than shorter adapter sleeves
- Two ductile iron adapter nuts are used with the All Steel pillow blocks. The adapter nut at the small end of the taper is used to tighten the bearing to the shaft with the adapter nut at the large end of the taper used to remove the bearing from the shaft.



DUAL PISTON RING SEALS

- Dual piston ring seals are housed in accurately machined grooves in the adapter nuts resulting efficient labyrinth sealing action throughout the full range of misalignment.
- Seal bearing both on and off the shaft before, during and after installation



RUGGED TWO PIECE OUTER HOUSING

- Vertically split housing of heavy duty cast steel ribbed construction houses duplex tapered roller bearing.
- Elongated bolt holes provide lateral adjustment for ease of installing pillow blocks



D-LOK

Type E Family

Speciality Tapered

S-2000

UNISPHERE II

SPECIFICATION



Type C

The standard housing material for Type C mounted bearings is ASTM A48 Class 30 Iron having a minimum tensile strength of 30,000 psi. The outer housings for the pillow blocks and flange bearings are of split construction for ease of replacement of the completely assembled, adjusted and lubricated inner units. The housings for the take-ups, hanger bearings, D, S-1 and B-1 units are of solid one piece construction. Pillow blocks and flange bearings are available in both expansion and non-expansion styles. Take up and hanger bearings are available as non expansion only.

mounted bearings all have case carburized inner races (cones), outer races (cups) and rollers.

The Type C bearing is mounted to the shaft by clamping the sleeve to the shaft at the slotted threaded end of the sleeve with flinger collars. These collars are one piece construction for sizes thru 2-1/2", with larger sizes using collars of two piece construction. The bearing rating for the type C is determined by the sleeve resulting in a L10 life at maximum speed of at least 100,000 hours.

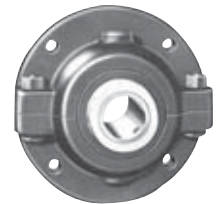
The Type C mounted bearing has indirect mounted tapered roller bearings press fitted on a common sleeve with the outer race shouldered against a rib in the housing. The tapered roller bearings used in the Type C

Steel multiple labyrinth seals are used to offer extra resistance to keep contaminants out of the bearing before, during, and after installation.



TYPE C AVAILABLE IN

- PILLOW BLOCKS, 2 BOLT BASE 1-3/16" TO 3-7/16"
- PILLOW BLOCKS, 4 BOLT 2-3/8" TO 4-15/16"
- FLANGE BEARINGS 4 BOLT 1-3/16" TO 3-7/16"
- ALL IN EITHER EXPANSION OR NON-EXPANSION



- HANGER BEARINGS 1-15/16" TO 3-7/16"
- TAKE-UP BEARINGS 1-3/16" TO 2-15/16"



D, S-1 OR B-1 UNITS 1-3/16" TO 4-15/16"

| | | | |
|--------------------------------|---------------------------|------------------------|------------------------------------|
| FEATURES/BENEFITS PAGE B7-2 | NOMENCLATURE PAGE B7-7 | SELECTION PAGE B7-8 | SELECTION/DIMENSIONS PAGE B7-10 |
|--------------------------------|---------------------------|------------------------|------------------------------------|

HOW TO ORDER



Type C

There are two ways to specify DODGE Bearings. Most of the product offering have part numbers with listings shown throughout this catalog. Use of part numbers ensures accurate order processing.

When part numbers are not shown, the product may be specified by description or part name. This method is used when ordering units that include modifications or options. To order by description, use the nomenclature key shown on page B7-7 and add any special instructions to the end of the description for options not covered by the nomenclature.

SPECIAL BEARING REQUIREMENTS AND SPECIAL LUBRICANTS

DODGE Type C Bearings are factory adjusted and pre-lubricated. For applications where extreme ambient temperatures, high speeds or high loads are expected, a variety of specialty lubricants and adjustments are available. Standard grease provided is Mobilith AW2

for bore size up to 5". Above 5" bore, Mobilux EP #2 is standard. Special lubricant options usually involve set-up charges and premiums. To order, specify type of lubricant required at the end of the product name or after the standard part number.

Example:

065294 except with Mobil Grease HTS #2 grease
or

P2B-C-207 except with Mobil Grease HTS #2 grease

OTHER SPECIAL REQUIREMENTS NOT LISTED

For applications requiring modifications not listed, we encourage you to contact our Customer Order Engineering Department for Bearings at 864-284-5700.

D-LOK

Type E Family

Specialty Tapered

S-2000

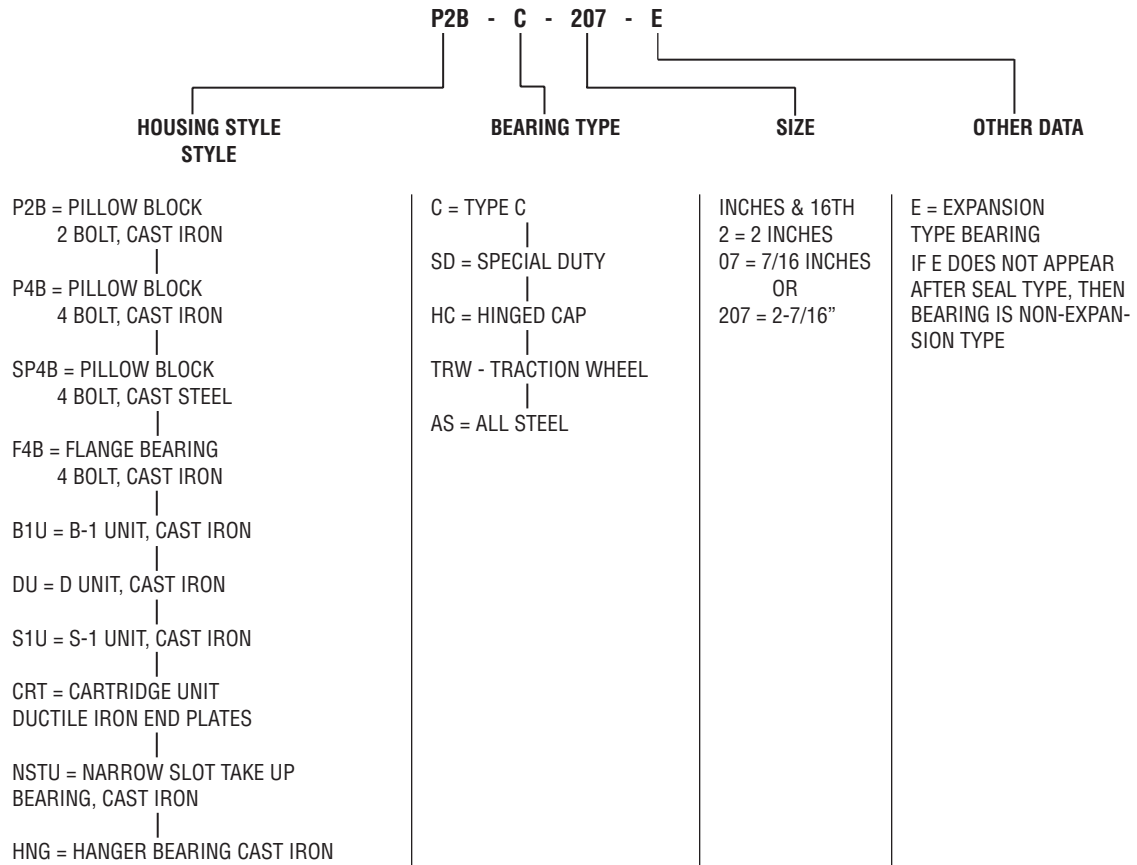
UNISPHERE II

| | | | |
|--------------------------------|---------------------------|------------------------|------------------------------------|
| FEATURES/BENEFITS PAGE B7-2 | NOMENCLATURE PAGE B7-7 | SELECTION PAGE B7-8 | SELECTION/DIMENSIONS PAGE B7-10 |
|--------------------------------|---------------------------|------------------------|------------------------------------|

NOMENCLATURE



Specialty Tapered Products Type C, Special Duty and All Steel



D-LOK

Type E Family

Specialty Tapered

S-2000

UNISPHERE II

| | | | |
|--------------------------------|---------------------------|------------------------|------------------------------------|
| FEATURES/BENEFITS PAGE B7-2 | NOMENCLATURE PAGE B7-7 | SELECTION PAGE B7-8 | SELECTION/DIMENSIONS PAGE B7-10 |
|--------------------------------|---------------------------|------------------------|------------------------------------|



Type C

Type C Bearing

The capacity of the Type C bearing is designed to handle loads normally imposed on the shaft. However, due to the assembly method and method of fastening the bearing to the shaft, there are necessary clearances between the sleeve and the shaft except at the two ends. Consequently, under heavy loads a flexing and stressing of the sleeve will take place as the shaft rotates. For this reason, the Radial Load Ratings shown in Table 1 are based on the sleeve capacity under maximum clearance conditions rather than on the capacity of the roller bearings themselves.

Sleeve capacity being independent of speed, the table gives maximum recommended bearing loads at all allowable speeds and is based on the use of standard

cold finished shafting with commercial undersize tolerances.

Type C bearings are primarily utilized on radial load applications. They have ample thrust capacity for use as the locating bearing normally encountered with this type service. If heavy thrust loads are involved, Application Engineering should be contacted for a review of the application. The maximum thrust load should not exceed Type C pillow block limits shown on page B7-9.

Since these ratings are considerably less than the base bearing ratings, the resulting life expectancy is, for all practical purposes, contingent only on proper lubrication.

Table 1: Type C radial Load Ratings

| Shaft Size Inches | Radial Load Rating (Lbs.) * | Max. RPM |
|-------------------|-----------------------------|----------|
| 1-3/16 - 1-7/16 | 725 | 3000 |
| 1-1/2 - 1-3/4 | 1000 | 3000 |
| 1-15/16 | 1350 | 2500 |
| 2 - 2-1/4 | 1700 | 2500 |
| 2-3/8 - 2-7/16 | 2100 | 2000 |

| Shaft Size Inches | Radial Load Rating (Lbs.) * | Max. RPM |
|-------------------|-----------------------------|----------|
| 2-1/2 - 2-15/16 | 3000 | 1750 |
| 3 - 3-7/16 | 4000 | 1500 |
| 3-1/2 - 4 | 5500 | 1250 |
| 4-7/16 - 4-1/2 | 6500 | 1000 |
| 4-15/16 - 5 | 7500 | 750 |

* More than 100,000 L10 hours life at Max. RPM listed.

| | | | |
|--------------------------------|---------------------------|---------------------------|------------------------------------|
| FEATURES/BENEFITS PAGE B7-2 | HOW TO ORDER PAGE B7-6 | NOMENCLATURE PAGE B7-7 | SELECTION/DIMENSIONS PAGE B7-10 |
|--------------------------------|---------------------------|---------------------------|------------------------------------|

SELECTION



Type C

Table 2: Type C Expansion Capability, Inches

| Shaft Size, Inches | Type C | | |
|-----------------------|--------------|--------------|--------|
| | 2-Bolt | 4-Bolt | Flange |
| | Pillow Block | Pillow Block | |
| 1-3/16 - 1-7/16 | 3/16 | -- | 3/16 |
| 1-1/2 - 1-3/4 | 5/8 | -- | 1/4 |
| 1-15/16 | 5/8 | -- | 1/4 |
| 2 - 2-1/4 | 5/8 | -- | 1/4 |
| 2-3/8 - 2-7/16 | 5/8 | 5/8 | 1/4 |
| 2-1/2 - 2-15/16 | 3/4 | 5/8 | 5/8 |
| 3 - 3-7/16 | 3/4 | 3/4 | 1/4 |
| 3-1/2 - 4 | -- | 3/4 | 1/4 |
| 4-7/16 - 4-1/2 | -- | 3/4 | 5/8 |
| 4-15/16 - 5 | -- | 3/4 | 5/8 |

Table 3: Type C Pillow Block Permissible Thrust Load

| Shaft Size, Inches | Thrust loads, lbs | | Shaft Size, Inches | Thrust loads, lbs | |
|-----------------------|-------------------|--------|-----------------------|-------------------|--------|
| | 2-Bolt | 4-Bolt | | 2-Bolt | 4-Bolt |
| 1-3/16 - 1-7/16 | 3000 | -- | 2-1/2 - 2-15/16 | 6900 | 9300 |
| 1-1/2 - 1-3/4 | 3150 | -- | 3 - 3-7/16 | 5700 | 12000 |
| 1-15/16 | 5000 | -- | 3-1/2 - 4 | -- | 12000 |
| 2 - 2-3/16 | 5000 | -- | 4-7/16 - 4-1/2 | -- | 12000 |
| 2-3/8 - 2-7/16 | 7300 | 10000 | 4-15/16 - 5 | -- | 16500 |

* The limits in above apply to pillow blocks. For thrust loads larger than listed or heavy thrust loading on other style housings, contact DODGE Engineering for recommendation.

D-LOK

Type E Family

Speciality Tapered

S-2000

UNISPHERE II

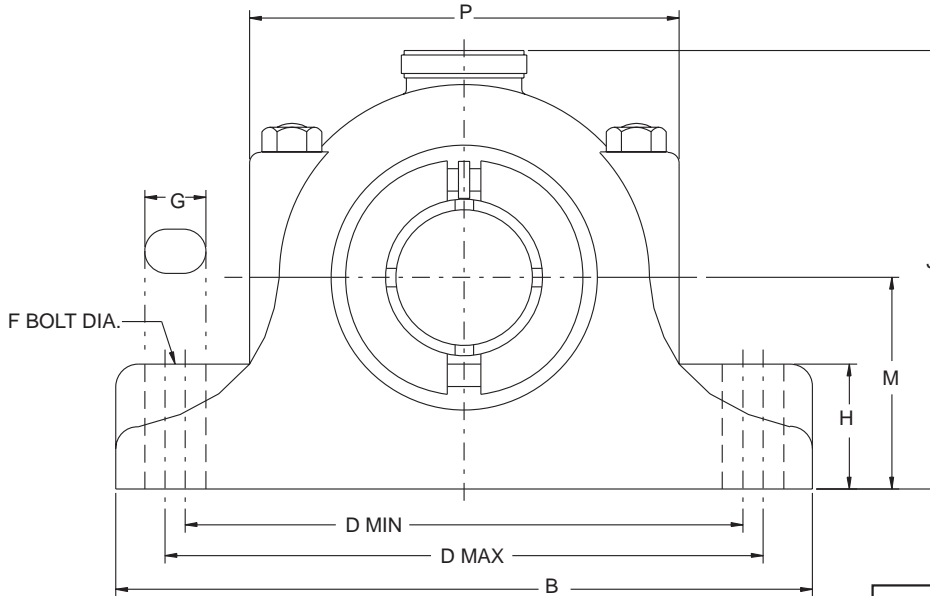
| | | | |
|--------------------------------|---------------------------|---------------------------|------------------------------------|
| FEATURES/BENEFITS PAGE B7-2 | HOW TO ORDER PAGE B7-6 | NOMENCLATURE PAGE B7-7 | SELECTION/DIMENSIONS PAGE B7-10 |
|--------------------------------|---------------------------|---------------------------|------------------------------------|



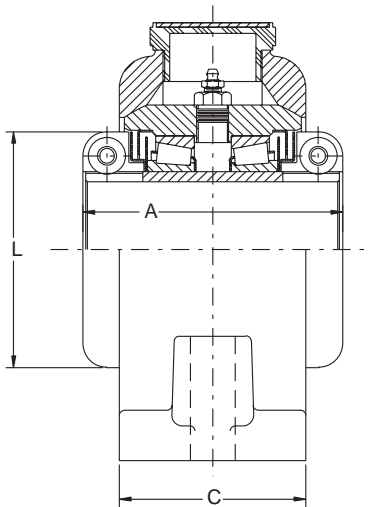
SELECTION/DIMENSIONS



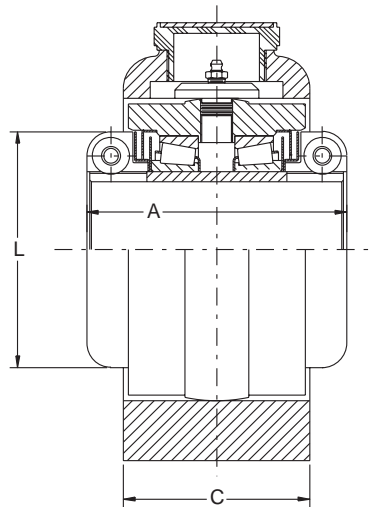
Type C Pillow Block - Inch 2-BOLT BASE



NOTE: All sizes use a 1/8 - 27 NPT hydraulic grease fitting



NON-EXPANSION CONSTRUCTION



EXPANSION CONSTRUCTION

FEATURES/BENEFITS
PAGE B7-2

HOW TO ORDER
PAGE B7-6

NOMENCLATURE
PAGE B7-7

SELECTION
PAGE B7-8

SELECTION/DIMENSIONS



Type C Pillow Block - Inch 2-BOLT BASE

| GRAY IRON NON-EXPANSION* | | | |
|--------------------------|-------------|-----------|---------------------|
| SHAFT SIZE Inches# | PART NUMBER | PART NAME | WEIGHT LBS (APPROX) |
| 1-3/16 | 065289 | P2B-C-103 | 21 |
| 1-1/4 | 065311 | P2B-C-104 | 20 |
| 1-7/16 | 065290 | P2B-C-107 | 20 |
| 1-1/2 | 065312 | P2B-C-108 | 28 |
| 1-11/16 | 065291 | P2B-C-111 | 28 |
| 1-3/4 | 065238 | P2B-C-112 | 26 |
| 1-15/16 | 065292 | P2B-C-115 | 29 |
| 2 | 065313 | P2B-C-200 | 47 |
| 2-3/16 | 065293 | P2B-C-203 | 47 |
| 2-1/4 | 065314 | P2B-C-204 | 47 |
| 2-7/16 | 065294 | P2B-C-207 | 57 |
| 2-1/2 | 065315 | P2B-C-208 | 83 |
| 2-11/16 | 065295 | P2B-C-211 | 83 |
| 2-7/8 | 065244 | P2B-C-214 | 83 |
| 2-15/16 | 065296 | P2B-C-215 | 83 |
| 3 | 065316 | P2B-C-300 | 132 |
| 3-3/16 | 065317 | P2B-C-303 | 132 |
| 3-7/16 | 065297 | P2B-C-307 | 128 |

| GRAY IRON EXPANSION | | | |
|---------------------|-------------|------------|---------------------|
| SHAFT SIZE Inches# | PART NUMBER | PART NAME | WEIGHT LBS (APPROX) |
| 1-3/16 | 087262 | P2B-C-103E | 22 |
| 1-1/4 | 087263+ | P2B-C-104E | 22 |
| 1-7/16 | 087180 | P2B-C-107E | 20 |
| 1-1/2 | 087264 | P2B-C-108E | 28 |
| 1-11/16 | 087181 | P2B-C-111E | 28 |
| 1-3/4 | 087172+ | P2B-C-112E | 28 |
| 1-15/16 | 087182 | P2B-C-115E | 29 |
| 2 | 087265 | P2B-C-200E | 49 |
| 2-3/16 | 087183 | P2B-C-203E | 49 |
| 2-1/4 | 087266 | P2B-C-204E | 49 |
| 2-7/16 | 087184 | P2B-C-207E | 57 |
| 2-1/2 | 087267 | P2B-C-208E | 90 |
| 2-11/16 | 087185 | P2B-C-211E | 90 |
| 2-7/8 | 087178 | P2B-C-214E | 90 |
| 2-15/16 | 087186 | P2B-C-215E | 90 |
| 3 | 087268 | P2B-C-300E | 135 |
| 3-3/16 | 087269 | P2B-C-303E | 135 |
| 3-7/16 | 087187 | P2B-C-307E | 131 |

* FURNISHED UNLESS OTHERWISE SPECIFIED

CONSULT DODGE FOR SIZES NOT LISTED.

CONSULT DODGE FOR SIZES NOT LISTED.

+ NON-STOCK - CONSULT DODGE FOR DELIVERY

| SHAFT SIZE INCHES | A | B* | C* | D | | F BOLT DIA. | G* | H* | J | L Δ | M | P* | EXP** |
|-------------------|-------|--------|-------|--------|--------|-------------|--------|-------|---------|---------|-------|--------|-------|
| | | | | MIN. | MAX. | | | | | | | | |
| 1-3/16 | | | | | | | | | | | | | |
| 1-1/4 | 4-1/2 | 9 | 3 | 6-7/8 | 7-5/8 | 1/2 | 1 | 2-1/8 | 6-1/4 | 3-3/32 | 2-7/8 | 5-7/8 | 3/16 |
| 1-7/16 | | | | | | | | | | | | | |
| 1-1/2 | | | | | | | | | | | | | |
| 1-11/16 | 4-7/8 | 9-1/2 | 3-3/8 | 7-3/8 | 8-1/8 | 1/2 | 13/16 | 2-3/8 | 6-13/16 | 3-1/2 | 3-1/8 | 6-1/2 | 5/8 |
| 1-3/4 | | | | | | | | | | | | | |
| 1-15/16 | 5-1/4 | 11 | 3-1/2 | 8-1/2 | 9 | 5/8 | 1-1/4 | 2-1/2 | 7-1/8 | 3-7/8 | 3-1/4 | 7-3/8 | 5/8 |
| 2 | | | | | | | | | | | | | |
| 2-3/16 | 5-3/4 | 12 | 4 | 9-1/4 | 10-1/4 | 5/8 | 1-3/16 | 2-7/8 | 8 | 4-3/8 | 3-3/4 | 8 | 5/8 |
| 2-1/4 | | | | | | | | | | | | | |
| 2-7/16 | 6 | 13-1/4 | 4-1/4 | 10-1/8 | 11-3/8 | 3/4 | 1-1/2 | 3 | 8-9/16 | 4-21/32 | 4 | 8-7/8 | 5/8 |
| 2-1/2 | | | | | | | | | | | | | |
| 2-11/16 | 6-1/2 | 14-1/4 | 4-3/4 | 11-1/8 | 12-3/8 | 3/4 | 1-1/2 | 3-3/4 | 9-7/8 | 5-7/16 | 4-3/4 | 9-7/8 | 3/4 |
| 2-7/8 | | | | | | | | | | | | | |
| 2-15/16 | | | | | | | | | | | | | |
| 3 | | | | | | | | | | | | | |
| 3-3/16 | 7 | 16-3/4 | 5-1/2 | 13-1/4 | 14-1/4 | 7/8 | 1-1/2 | 4 | 11-3/8 | 5-15/16 | 5-1/2 | 11-5/8 | 3/4 |
| 3-7/16 | | | | | | | | | | | | | |

NOTE: All sizes use a 1/8 - 27 NPT hydraulic grease fitting

Δ A One-piece Collar Furnished Up Thru 2-7/16 Sizes. Larger Sizes Use A Two-piece Collar.

* These Are As Cast Surfaces. Dimensions May Fluctuate Due To Draft Angles And Pattern Shifts

** EXP - Total Expansion For Expansion Bearing Only

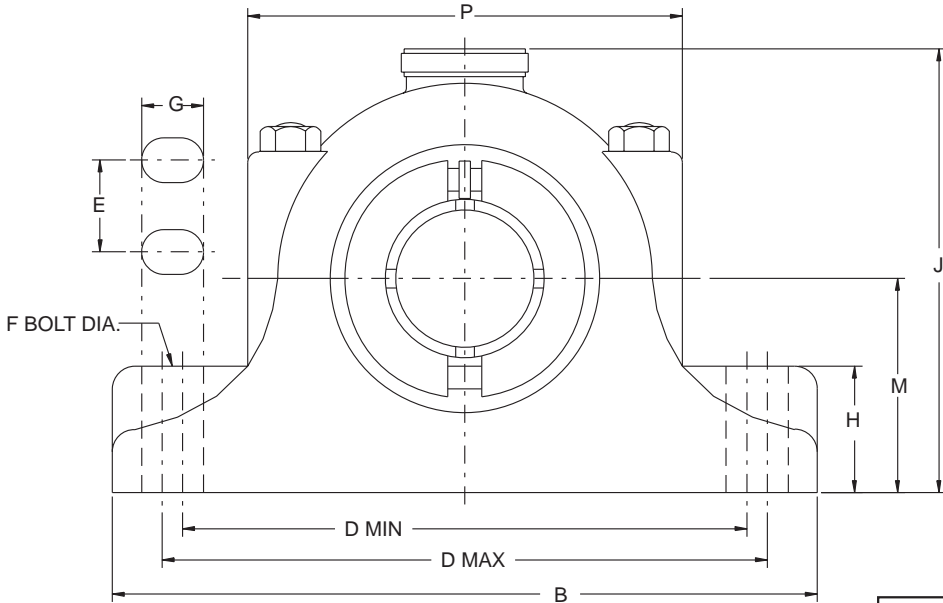
| | | | |
|--------------------------------|---------------------------|---------------------------|------------------------|
| FEATURES/BENEFITS PAGE B7-2 | HOW TO ORDER PAGE B7-6 | NOMENCLATURE PAGE B7-7 | SELECTION PAGE B7-8 |
|--------------------------------|---------------------------|---------------------------|------------------------|



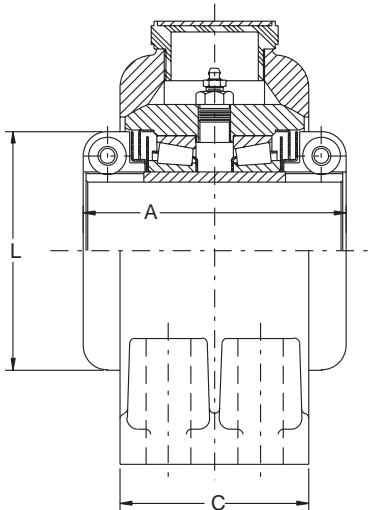
SELECTION/DIMENSIONS



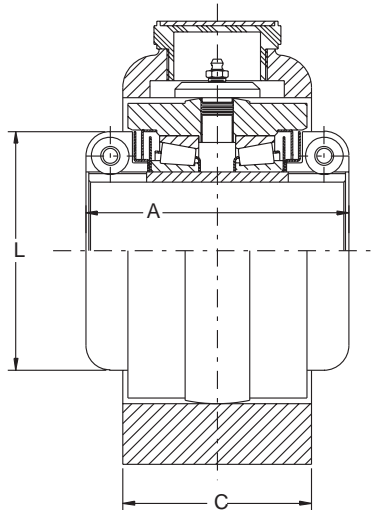
Type C Pillow Block - Inch 4-BOLT BASE



NOTE: All sizes use a 1/8 - 27 NPT hydraulic grease fitting



NON-EXPANSION CONSTRUCTION



EXPANSION CONSTRUCTION

FEATURES/BENEFITS
PAGE B7-2

HOW TO ORDER
PAGE B7-6

NOMENCLATURE
PAGE B7-7

SELECTION
PAGE B7-8

SELECTION/DIMENSIONS



Type C Pillow Block - Inch 4-BOLT BASE

| GRAY IRON NON-EXPANSION* | | | |
|--------------------------|---------------|-----------|---------------------|
| SHAFT SIZE Inches# | PART NUMBER | PART NAME | WEIGHT LBS (APPROX) |
| 2-7/16 | 065310 | P4B-C-207 | 59 |
| 2-15/16 | 065302 | P4B-C-215 | 85 |
| 3-7/16 | 065303 | P4B-C-307 | 130 |
| 3-15/16 | 065298 | P4B-C-315 | 230 |
| 4-7/16 | 065299 | P4B-C-407 | 280 |
| 4-15/16 | 065300 | P4B-C-415 | 370 |

* FURNISHED UNLESS OTHERWISE SPECIFIED

CONSULT DODGE FOR SIZES NOT LISTED.

| GRAY IRON EXPANSION | | | |
|---------------------|---------------|------------|---------------------|
| SHAFT SIZE Inches# | PART NUMBER | PART NAME | WEIGHT LBS (APPROX) |
| 2-7/16 | 087191 | P4B-C-207E | 59 |
| 2-15/16 | 087192 | P4B-C-215E | 85 |
| 3-7/16 | 087193 | P4B-C-307E | 135 |
| 3-15/16 | 087188 | P4B-C-315E | 230 |
| 4-7/16 | 087189 | P4B-C-407E | 290 |
| 4-15/16 | 087190 | P4B-C-415E | 380 |

CONSULT DODGE FOR SIZES NOT LISTED.

| SHAFT SIZE INCHES | A | B* | C* | D | | E | F BOLT DIA. | G* | H* | J | L Δ | M | P* | EXP** |
|-------------------|--------|--------|-------|--------|--------|-------|-------------|-------|-------|--------|---------|-------|--------|-------|
| | | | | MIN. | MAX. | | | | | | | | | |
| 2-7/16 | 6 | 13-1/4 | 4-1/4 | 10 | 11-1/2 | 2-1/2 | 5/8 | 1-1/2 | 3 | 8-9/16 | 4-21/32 | 4 | 8-7/8 | 5/8 |
| 2-15/16 | 6-1/2 | 14-1/4 | 4-3/4 | 11 | 12-1/2 | 2-3/4 | 5/8 | 1-1/2 | 3-3/4 | 9-7/8 | 5-7/16 | 4-3/4 | 9-7/8 | 5/8 |
| 3-7/16 | 7 | 16-3/4 | 5-1/2 | 12-7/8 | 14-5/8 | 3-1/4 | 3/4 | 1-1/2 | 4 | 11-3/8 | 5-15/16 | 5-1/2 | 11-5/8 | 3/4 |
| 3-15/16 | 9-1/2 | 19 | 7 | 15 | 16 | 3-1/4 | 7/8 | 1-1/2 | 4 | 13-3/8 | 7-3/8 | 6-3/8 | 13-7/8 | 3/4 |
| 4-7/16 | 10 | 20 | 7-1/2 | 15-5/8 | 17-3/8 | 3-1/2 | 7/8 | 1-7/8 | 4 | 14-1/2 | 8-3/8 | 7-1/4 | 15-1/4 | 3/4 |
| 4-15/16 | 11-1/4 | 23 | 8-1/4 | 17-3/4 | 19-3/4 | 3-3/4 | 1 | 2-1/8 | 4-1/4 | 15-5/8 | 9-3/8 | 7-1/2 | 16-3/4 | 3/4 |

NOTE: All sizes use a 1/8 - 27 NPT hydraulic grease fitting

Δ A One-piece Collar Furnished Up Thru 2-7/16 Sizes. Larger Sizes Use A Two-piece Collar.

* These Are As Cast Surfaces. Dimensions May Fluctuate Due To Draft Angles And Pattern Shifts

** EXP - Total Expansion For Expansion Bearing Only

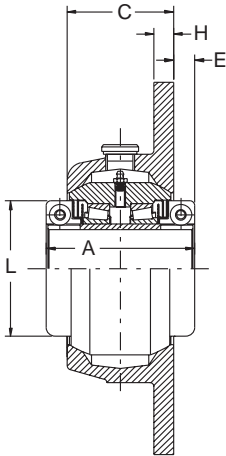
| | | | |
|--------------------------------|---------------------------|---------------------------|------------------------|
| FEATURES/BENEFITS PAGE B7-2 | HOW TO ORDER PAGE B7-6 | NOMENCLATURE PAGE B7-7 | SELECTION PAGE B7-8 |
|--------------------------------|---------------------------|---------------------------|------------------------|



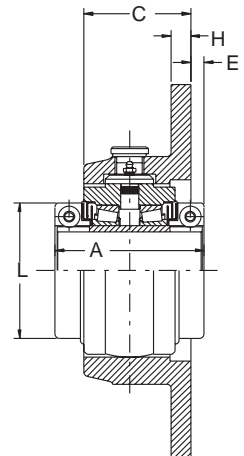
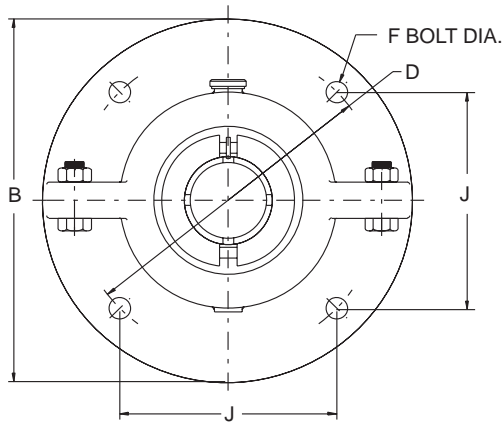
SELECTION/DIMENSIONS



Type C Flange Bearing - Inch



NON-EXPANSION CONSTRUCTION



EXPANSION CONSTRUCTION

| GRAY IRON NON-EXPANSION* | | | |
|--------------------------|---------------|-----------|---------------------------|
| SHAFT SIZE Inches# | PART NUMBER | PART NAME | WEIGHT LBS (APPROX) |
| 1-7/16 | 104040 | F4B-C-107 | 21 |
| 1-11/16 | 104041 | F4B-C-111 | 31 |
| 1-3/4 | 104106 | F4B-C-112 | 31 |
| 1-15/16 | 104042 | F4B-C-115 | 37 |
| 2-3/16 | 104043 | F4B-C-203 | 49 |
| 2-7/16 | 104044 | F4B-C-207 | 63 |
| 2-15/16 | 104045 | F4B-C-215 | 98 |
| 3 | 104119 | F4B-C-300 | 140 |
| 3-7/16 | 104046 | F4B-C-307 | 140 |

* FURNISHED UNLESS OTHERWISE SPECIFIED

CONSULT DODGE FOR SIZES NOT LISTED.

| GRAY IRON EXPANSION | | | |
|-----------------------|---------------|------------|---------------------------|
| SHAFT SIZE Inches# | PART NUMBER | PART NAME | WEIGHT LBS (APPROX) |
| 1-7/16 | 104050 | F4B-C-107E | 21 |
| 1-11/16 | 104051 | F4B-C-111E | 31 |
| 1-3/4 | 104078 | F4B-C-112E | 31 |
| 1-15/16 | 104052 | F4B-C-115E | 38 |
| 2-3/16 | 104053 | F4B-C-203E | 49 |
| 2-7/16 | 104054 | F4B-C-207E | 63 |
| 2-15/16 | 104055 | F4B-C-215E | 98 |
| 3 | 104090 | F4B-C-300E | 140 |
| 3-7/16 | 104056 | F4B-C-307E | 140 |

CONSULT DODGE FOR SIZES NOT LISTED.

| | | | |
|--------------------------------|---------------------------|---------------------------|------------------------|
| FEATURES/BENEFITS PAGE B7-2 | HOW TO ORDER PAGE B7-6 | NOMENCLATURE PAGE B7-7 | SELECTION PAGE B7-8 |
|--------------------------------|---------------------------|---------------------------|------------------------|

SELECTION/DIMENSIONS



Type C Flange Bearing - Inch

D-LOK

Type E Family

Speciality Tapered

S-2000

UNISPHERE II

| SHAFT SIZE INCHES | A | B | C | D | E | F BOLT DIA. | H | J | L Δ | EXP* |
|------------------------|-------|--------|-------|--------|-------|-------------|-------|-------|---------|------|
| 1-7/16 | 4-1/2 | 8-1/4 | 3 | 7 | 3/4 | 1/2 | 5/8 | 4.950 | 3-3/32 | 3/16 |
| 1-11/16 1-3/4 | 4-7/8 | 9 | 3-3/8 | 7-5/8 | 3/4 | 1/2 | 11/16 | 5.392 | 3-1/2 | 1/4 |
| 1-15/16 | 5-1/4 | 10 | 3-1/2 | 8-3/8 | 7/8 | 5/8 | 3/4 | 5.922 | 3-7/8 | 1/4 |
| 2-3/16 | 5-3/4 | 10-3/4 | 4 | 9-1/8 | 7/8 | 5/8 | 13/16 | 6.452 | 4-3/8 | 1/4 |
| 2-7/16 | 6 | 12 | 4-1/4 | 10-1/4 | 7/8 | 3/4 | 7/8 | 7.248 | 4-21/32 | 1/4 |
| 2-15/16 | 6-1/2 | 13 | 4-5/8 | 11-1/4 | 15/16 | 3/4 | 1 | 7.955 | 5-7/16 | 5/8 |
| ³ 3-7/16 | 7 | 14-1/2 | 5-3/8 | 12-1/2 | 13/16 | 7/8 | 1-1/8 | 8.839 | 5-15/16 | 1/4 |

Δ A One-Piece Collar Furnished Up Thru 2-7/16 Sizes.
Larger Sizes Use A Two-Piece Collar.

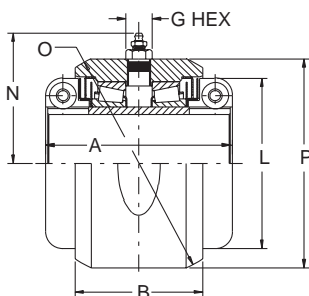
* EXP - Total Expansion For Expansion Bearing Only.

| | | | |
|--------------------------------|---------------------------|---------------------------|------------------------|
| FEATURES/BENEFITS PAGE B7-2 | HOW TO ORDER PAGE B7-6 | NOMENCLATURE PAGE B7-7 | SELECTION PAGE B7-8 |
|--------------------------------|---------------------------|---------------------------|------------------------|

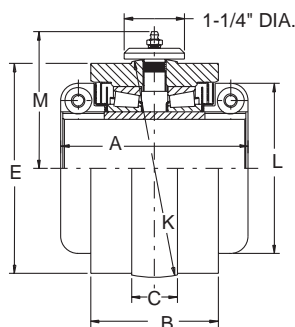
SELECTION/DIMENSIONS



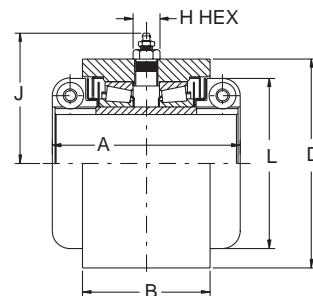
Type C Units - Inch



D UNIT
USED IN NON-EXPANSION
HOUSINGS



S-1 UNIT
USED IN EXPANSION
HOUSINGS



B-1 UNIT
USED IN CUSTOMER
MANUFACTURED HOUSINGS

| SHAFT SIZE INCHES # | D UNITS | | S-1 UNITS | | B-1 UNITS | | WEIGHT LBS (APPROX) |
|---------------------------|----------------|--------------|----------------|--------------|----------------|--------------|---------------------------|
| | PART NUMBER | PART NAME | PART NUMBER | PART NAME | PART NUMBER | PART NAME | |
| 1-7/16 | 065282 | DU-C-107 | 087199 | S1U-C-107 | 069060 | B1U-C-107 | 7 |
| 1-1/2 | 065258 | DU-C-108 | 087205 | S1U-C-108 | ---- | ---- | 11 |
| 1-11/16 | 065283 | DU-C-111 | 087200 | S1U-C-111 | 069061 | B1U-C-111 | 11 |
| 1-3/4 | 065260 | DU-C-112 | 087207 | S1U-C-112 | ---- | ---- | 11 |
| 1-15/16 | 065284 | DU-C-115 | 087194 | S1U-C-115 | 069062 | B1U-C-115 | 12 |
| 2 | 065262 | DU-C-200 | 087209 | S1U-C-200 | 069034 | B1U-C-200 | 18 |
| 2-3/16 | 065285 | DU-C-203 | 087195 | S1U-C-203 | 069063 | B1U-C-203 | 17 |
| 2-1/4 | 065265 | DU-C-204 | 087215 | S1U-C-204 | ---- | ---- | 17 |
| 2-7/16 | 065286 | DU-C-207 | 087196 | S1U-C-207 | 069064 | B1U-C-207 | 20 |
| 2-1/2 | ---- | ---- | ---- | ---- | 069039 | B1U-C-208 | 35 |
| 2-11/16 | 065268 | DU-C-211 | 087218 | S1U-C-211 | ---- | ---- | 34 |
| 2-7/8 | 065270 | DU-C-214 | 087220 | S1U-C-214 | ---- | ---- | 34 |
| 2-15/16 | 065287 | DU-C-215 | 087197 | S1U-C-215 | 069065 | B1U-C-215 | 34 |
| 3 | 065271 | DU-C-300 | 087221 | S1U-C-300 | ---- | ---- | 55 |
| 3-3/16 | ---- | ---- | 087222 | S1U-C-303 | 069045 | B1U-C-303 | 53 |
| 3-1/4 | ---- | ---- | ---- | ---- | 069046 | B1U-C-304 | 53 |
| 3-7/16 | 065288 | DU-C-307 | 087198 | S1U-C-307 | 069066 | B1U-C-307 | 51 |
| 3-1/2 | 065274 | DU-C-308 | 087224 | S1U-C-308 | ---- | ---- | 115 |
| 3-11/16 | ---- | ---- | 087225 | S1U-C-311 | ---- | ---- | 115 |
| 3-15/16 | 065304 | DU-C-315 | 087210 | S1U-C-315 | 069067 | B1U-C-315 | 115 |
| 4 | ---- | ---- | ---- | ---- | 069069 | B1U-C-400 | 115 |
| 4-7/16 | 065305 | DU-C-407 | 087211 | S1U-C-407 | ---- | ---- | 138 |
| 4-15/16 | 065306 | DU-C-415 | 087212 | S1U-C-415 | ---- | ---- | 190 |

#CONSULT DODGE FOR SIZES NOT LISTED.

| | | | |
|--------------------------------|---------------------------|---------------------------|------------------------|
| FEATURES/BENEFITS PAGE B7-2 | HOW TO ORDER PAGE B7-6 | NOMENCLATURE PAGE B7-7 | SELECTION PAGE B7-8 |
|--------------------------------|---------------------------|---------------------------|------------------------|

SELECTION/DIMENSIONS



Type C Units - Inch

| SHAFT SIZE INCHES | A | B | C | D** | E | G HEX | H | J | K** | L | M | N | O** | P |
|-------------------|--------|---------|-------|--------|----------|-------|-----|---------|----------|---------|---------|---------|--------|---------|
| 1-7/16 | 4-1/2 | 2-11/16 | 3/4 | 3-7/8 | 3-13/16 | 7/16 | 5/8 | 3-1/8 | 4-1/16* | 3-3/32 | 2-11/16 | 2-1/2 | 4-7/16 | 3-15/16 |
| 1-1/2 | | | | | | | | | | | | | | |
| 1-11/16 | 4-7/8 | 3-1/8 | 3/4 | 4-1/4 | 4-1/8 | 7/16 | 5/8 | 3-5/16 | 4-7/16* | 3-1/2 | 2-7/8 | 2-3/4 | 5 | 4-1/2 |
| 1-3/4 | | | | | | | | | | | | | | |
| 1-15/16 | 5-1/4 | 3-1/4 | 7/8 | 4-3/4 | 4-1/2 | 7/16 | 5/8 | 3-9/16 | 4-13/16* | 3-7/8 | 3-1/16 | 2-7/8 | 5-5/16 | 4-3/4 |
| 2 | | | | | | | | | | | | | | |
| 2-3/16 | 5-3/4 | 3-3/4 | 7/8 | 5-1/4 | 5 | 7/16 | 5/8 | 3-13/16 | 5-3/8* | 4-3/8 | 5-5/16 | 3-3/16 | 6 | 5-3/8 |
| 2-1/4 | | | | | | | | | | | | | | |
| 2-7/16 | 6 | 4 | 1 | 5-3/4 | 5-5/16 | 5/8 | 5/8 | 4-1/16 | 5-11/16* | 4-21/32 | 3-1/2 | 4-3/32 | 6-3/8 | 5-11/16 |
| 2-1/2 | | | | | | | | | | | | | | |
| 2-11/16 | 6-1/2 | 4-7/16 | 1 | 6-1/2 | 6-3/16 | 5/8 | 3/4 | 4-5/8 | 6-9/16* | 5-7/16 | 4-1/2 | 4-1/2 | 7-5/16 | 6-1/2 |
| 2-7/8 | | | | | | | | | | | | | | |
| 2-15/16 | | | | | | | | | | | | | | |
| 3 | | | | | | | | | | | | | | |
| 3-3/16 | 7 | 5 | 1-1/4 | 7-3/4 | 7-1/2 | 5/8 | 3/4 | 5-1/4 | 8# | 5-15/16 | 4-7/8 | 5-9/16 | 8-5/8 | 7-29/32 |
| 3-1/4 | | | | | | | | | | | | | | |
| 3-7/16 | | | | | | | | | | | | | | |
| 3-1/2 | | | | | | | | | | | | | | |
| 3-11/16 | 9-1/2 | 6-1/4 | 1-1/2 | 9-1/4 | 8-13/16 | 5/8 | 3/4 | 6 | 9-1/2# | 7-3/8 | 5-5/8 | 6-3/8 | 10-1/4 | 9-3/4 |
| 3-15/16 | | | | | | | | | | | | | | |
| 4 | | | | | | | | | | | | | | |
| 4-7/16 | 10 | 6-5/8 | 1-3/4 | 10-1/2 | 9-15/16 | 3/4 | 3/4 | 6-5/8 | 10-5/8# | 8-3/8 | 6-3/16 | 6-11/16 | 11-1/8 | 10-3/8 |
| 4-15/16 | 11-1/4 | 7-3/8 | 2 | 11-3/4 | 10-15/16 | 3/4 | 3/4 | 7-1/4 | 11-1/2# | 9-3/8 | 6-5/8 | 7-7/16 | 12-1/2 | 11-7/8 |

NOTE: All sizes use a 1/8 - 27 NPT hydraulic grease fitting
 - .002
 ** + .000

Δ A One-Piece Collar Furnished Up Thru 2-7/16 Sizes. Larger Sizes Use A Two-Piece Collar

| | | | |
|--------------------------------|---------------------------|---------------------------|------------------------|
| FEATURES/BENEFITS PAGE B7-2 | HOW TO ORDER PAGE B7-6 | NOMENCLATURE PAGE B7-7 | SELECTION PAGE B7-8 |
|--------------------------------|---------------------------|---------------------------|------------------------|



SELECTION/DIMENSIONS



Type C Take-Up Bearing

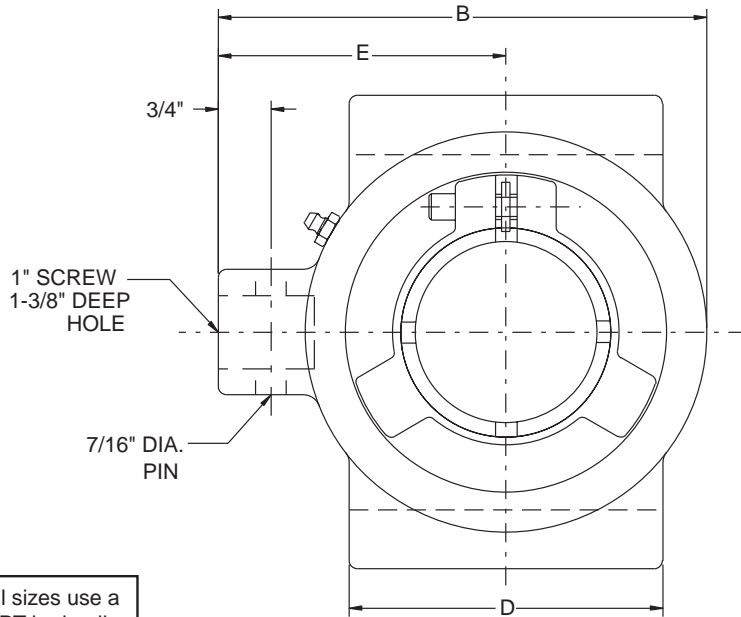
D-LOK

Type E Family

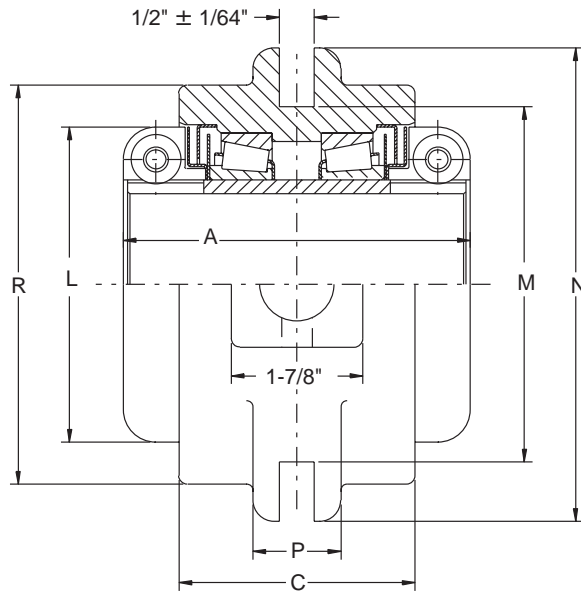
Specialty Tapered

S-2000

UNISPHERE II



NOTE: All sizes use a
1/8 - 27 NPT hydraulic
grease fitting



FEATURES/BENEFITS
PAGE B7-2

HOW TO ORDER
PAGE B7-6

NOMENCLATURE
PAGE B7-7

SELECTION
PAGE B7-8

SELECTION/DIMENSIONS



Type C Take-Up Bearing

| GRAY IRON | | | |
|---------------------|---------------|------------|---------------------|
| SHAFT SIZE INCHES # | PART NUMBER | PART NAME | WEIGHT LBS (APPROX) |
| 1-7/16 | 036116 | NSTU-C-107 | 12 |
| 1-1/2 | 036054 | NSTU-C-108 | 15 |
| 1-15/16 | 036118 | NSTU-C-115 | 18 |
| 2-3/16 | 036119 | NSTU-C-203 | 26 |
| 2-7/16 | 036120 | NSTU-C-207 | 27 |
| 2-15/16 | 036121 | NSTU-C-215 | 37 |

CONSULT DODGE FOR SIZES NOT LISTED.

| SHAFT SIZE INCHES | A | B | C | D | E | L | M | N | P | R |
|-------------------|-------|-------|---------|-------|-------|---------|-------|-------|-------|-------|
| 1-7/16 | 4-1/2 | 5-5/8 | 2-11/16 | 2-1/2 | 3-5/8 | 3-3/32 | 5-1/8 | 6-1/4 | 1-1/4 | 4 |
| 1-1/2 | 4-7/8 | 5-7/8 | 3-1/8 | 3 | 3-5/8 | 3-1/2 | 5-1/8 | 6-1/4 | 1-1/4 | 4-1/4 |
| 1-15/16 | 5-1/4 | 6 | 3-1/4 | 3-1/2 | 3-5/8 | 3-7/8 | 5-1/8 | 6-1/4 | 1-1/4 | 4-3/4 |
| 2-3/16 | 5-3/4 | 7 | 3-3/4 | 4-1/2 | 4-1/8 | 4-3/8 | 5-1/8 | 6-1/4 | 1-1/4 | 5-3/4 |
| 2-7/16 | 6 | 7 | 4 | 4-1/2 | 4-1/8 | 4-21/32 | 5-1/8 | 6-1/4 | 1-1/4 | 5-3/4 |
| 2-15/16 | 6-1/2 | 7-3/4 | 4-7/16 | 5 | 4-1/2 | 5-7/16 | 6-1/8 | 7-1/4 | 1-1/4 | 6-1/2 |

Note: All sizes use a 1/8-27 NPT hydraulic grease fitting

| | | | |
|--------------------------------|---------------------------|---------------------------|------------------------|
| FEATURES/BENEFITS PAGE B7-2 | HOW TO ORDER PAGE B7-6 | NOMENCLATURE PAGE B7-7 | SELECTION PAGE B7-8 |
|--------------------------------|---------------------------|---------------------------|------------------------|



SELECTION/DIMENSIONS



Type C Hanger Bearing

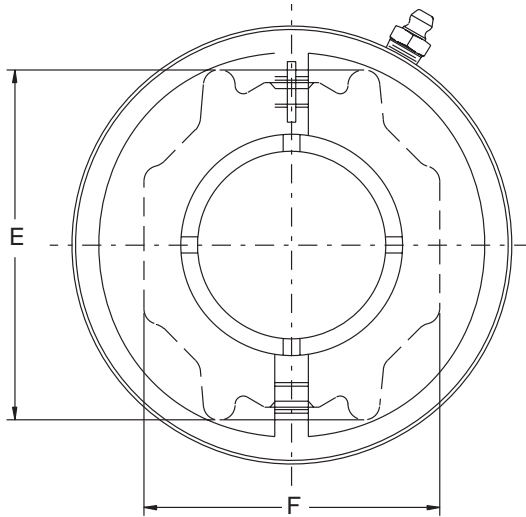
D-LOK

Type E Family

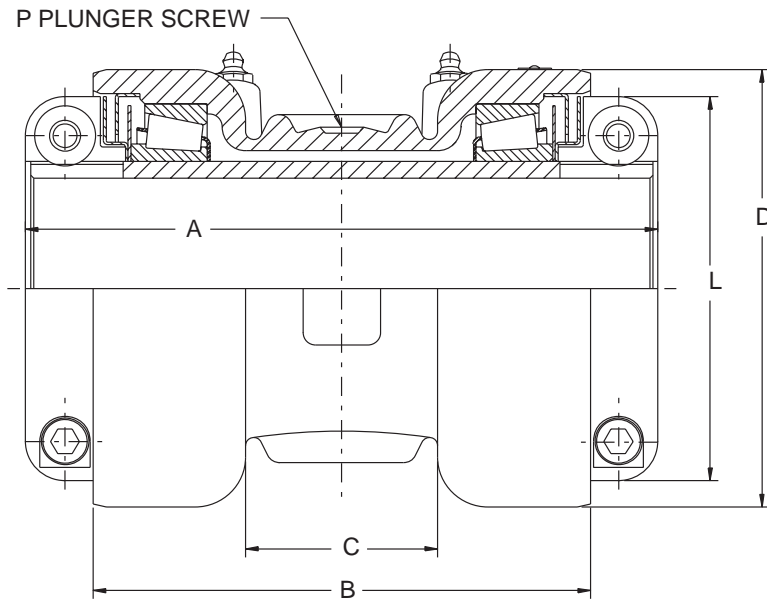
Specialty Tapered

S-2000

UNISPHERE II



NOTE: All sizes use a 1/8 - 27 NPT hydraulic grease fitting



FEATURES/BENEFITS
PAGE B7-2

HOW TO ORDER
PAGE B7-6

NOMENCLATURE
PAGE B7-7

SELECTION
PAGE B7-8

SELECTION/DIMENSIONS



Type C Hanger Bearing

| GRAY IRON | | | |
|---------------------|---------------|-----------|---------------------|
| SHAFT SIZE INCHES # | PART NUMBER | PART NAME | WEIGHT LBS (APPROX) |
| 1-15/16 | 061082 | HNG-C-115 | 16 |
| 2-3/16 | 061083 | HNG-C-203 | 21 |
| 2-7/16 | 061084 | HNG-C-207 | 30 |
| 2-11/16 | 061085 | HNG-C-211 | 41 |
| 2-15/16 | 061086 | HNG-C-215 | 40 |
| 3-7/16 | 061087 | HNG-C-307 | 51 |

CONSULT DODGE FOR SIZES NOT LISTED.

| SHAFT SIZE INCHES | A | B | C | D | E | F | L | P |
|-------------------|--------|-------|-------|-------|-------|---------|---------|------------|
| 1-15/16 | 8-1/4 | 6-1/4 | 2-3/4 | 4-5/8 | 3-3/8 | 2-15/16 | 3-7/8 | 5/8, 1-1/2 |
| 2-3/16 | 8-7/8 | 6-7/8 | 3 | 5-1/8 | 3-3/4 | 3-5/16 | 4-3/8 | 5/8, 1-1/2 |
| 2-7/16 | 9-5/8 | 7-5/8 | 3 | 5-3/8 | 4-1/8 | 3-1/2 | 4-21/32 | 5/8, 1-1/2 |
| 2-11/16 | 10-3/8 | 8-1/4 | 3-1/4 | 6-1/4 | 4-5/8 | 4 | 5-7/16 | 3/4, 2 |
| 2-15/16 | | | | | | | | |
| 3-7/16 | 11-1/4 | 9-1/4 | 4 | 6-3/4 | 5-1/8 | 4-1/2 | 5-15/16 | 3/4, 2-1/2 |

Note: All sizes use a 1/8-27 NPT hydraulic grease fitting

| | | | |
|--------------------------------|---------------------------|---------------------------|------------------------|
| FEATURES/BENEFITS PAGE B7-2 | HOW TO ORDER PAGE B7-6 | NOMENCLATURE PAGE B7-7 | SELECTION PAGE B7-8 |
|--------------------------------|---------------------------|---------------------------|------------------------|



Special Duty

The standard housing material for Special Duty mounted bearings is ASTM A48 Class 30 Iron having a minimum tensile strength of 30,000 psi. The outer housings for the pillow blocks and flange bearings are of split construction for ease of replacement of the completely assembled, adjusted and lubricated inner units. The housings for the D, S-1 and B-1 units are of solid one piece construction. Pillow blocks and flange bearings are available in both expansion and non expansion types.

Special Duty mounted bearings have duplex tapered roller mounted to the shaft with a tapered adaptor sleeve extending thru the complete length of the pillow block. The tapered roller bearings used in the Special Duty mounted bearings all have case carburized inner races (cone), outer races (cup) and rollers. A single adaptor nut is used on sizes thru 3-1/2" with two adaptor nuts being used on the larger sizes. The nut at the large end of the taper can be used to remove the bearing from the shaft.

Special Duty mounted bearings have two piston ring seals running in grooves in the seal ring carriers at each end of the units to seal the bearings both on and off the shaft. Sizes thru 3-1/2" use a grooved seal ring carrier at one end and grooved adaptor at the opposite end for carrying the piston ring seals. Larger sizes have grooved adaptor nuts to carry the piston ring seals.

SPECIAL DUTY (hinged cap type)

The standard housing material for Special Duty hinged cap bearings is ASTM A48 Class 30 Iron having a minimum tensile strength of 30,000 psi. The housing is equipped with a brass hand wheel for ease of removal of the S-1 unit from the pillow block housing. Hinged cap pillow blocks are available in both expansion and non-expansion types.

Hinged cap pillow blocks and units are mounted to the shaft with a tapered adapter sleeve extending completely thru the unit. The tapered adapter sleeve is equipped with micro mount removal screws for ease of demounting the bearing from the shaft.

The hinged cap pillow blocks are arranged for relubrication from the end of the pillow block rather than from the top of the pillow block. Besides the features specified above the hinged cap pillow blocks have many other features in common with the special duty mounted bearings.

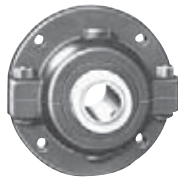
TRACTION WHEEL

The traction wheel is to be equipped with a ductile iron (ASTM 536 grade 65-45-10) hub, having indirect mounted tapered roller bearings mounted to ASTI 1018 shafting secured in a support and having drops of 7-3/16", 8" and 10". Combination labyrinth and dynaface seals shall be used.

SPECIAL DUTY AVAILABLE IN



PILLOW BLOCKS,
2-BOLT BASE
1-3/8" TO 3-1/2"



FLANGE
BEARINGS
4-BOLT
1-3/16" TO 6"

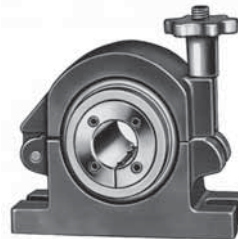


ALL IN EITHER EXPANSION OR NON-EXPANSION
D, S1 & B1 UNITS 1-3/8" TO 12"



PILLOW BLOCKS,
4-BOLT BASE
2-1/4" TO 12"

HINGED CAP PILLOW BLOCKS AVAILABLE IN
PILLOW BLOCKS, 2-BOLT BASE 1-3/8" TO 2-15/16"
ALL IN EITHER EXPANSION OR NON-EXPANSION



HINGED CAP S-1 UNITS

1-3/8" TO 2-15/16"



TRACTION WHEEL

| | | | |
|--------------------------------|----------------------------|-------------------------|------------------------------------|
| FEATURES/BENEFITS PAGE B7-2 | NOMENCLATURE PAGE B7-23 | SELECTION PAGE B7-25 | SELECTION/DIMENSIONS PAGE B7-32 |
|--------------------------------|----------------------------|-------------------------|------------------------------------|

HOW TO ORDER



Special Duty

There are two ways to specify DODGE Bearings. Most of the product offering have part numbers with listings shown throughout this catalog. Use of part numbers ensures accurate order processing.

When part numbers are not shown, the product may be specified by description or part name. This method is used when ordering units that include modifications or options. To order by description, use the nomenclature key shown on page and add any special instructions to the end of the description for options not covered by the nomenclature.

SPECIAL BEARING REQUIREMENTS AND LUBRICANTS

DODGE Bearings are factory adjusted and pre-lubricated with lithium based NLGI Grade 2 grease. For applications where extreme ambient temperatures, high speeds or high loads are expected, a variety of specialty lubricants and

adjustments are available. Special lubricant options usually involve set-up charges and premiums. To order, specify type of lubricant required at the end of the product name or after the standard part number.

Example:

066231 except with Mobilith SHC 460 grease and .012-.015 Lateral End Play

or

P4B-SD-215 except with Mobilith SHC 460 grease and .012-.015 Lateral End Play

OTHER SPECIAL REQUIREMENTS NOT LISTED

For applications requiring modifications not listed, we encourage you to contact our Customer Order Engineering Department for Bearings at 864-284-5700.

D-LOK

Type E Family

Specialty Tapered

S-2000

UNISPHERE II

| | | | |
|--------------------------------|----------------------------|-------------------------|------------------------------------|
| FEATURES/BENEFITS PAGE B7-2 | NOMENCLATURE PAGE B7-24 | SELECTION PAGE B7-25 | SELECTION/DIMENSIONS PAGE B7-32 |
|--------------------------------|----------------------------|-------------------------|------------------------------------|

NOMENCLATURE



Specialty Tapered Products

P2B - SD - 207 - E

**HOUSING STYLE
STYLE**

BEARING TYPE

SIZE

OTHER DATA

P2B = PILLOW BLOCK
2 BOLT, CAST IRON

P4B = PILLOW BLOCK
4 BOLT, CAST IRON

SP4B = PILLOW BLOCK
4 BOLT, CAST STEEL

F4B = FLANGE BEARING
4 BOLT, CAST IRON

B1U = B-1 UNIT, CAST IRON

DU = D UNIT, CAST IRON

S1U = S-1 UNIT, CAST IRON

CRT = CARTRIDGE UNIT
DUCTILE IRON END PLATES

NSTU = NARROW SLOT TAKE UP
BEARING, CAST IRON

HNG = HANGER BEARING CAST IRON

C = TYPE C

SD = SPECIAL DUTY

HC = HINGED CAP

TRW - TRACTION WHEEL

AS = ALL STEEL

INCHES & 16TH
2 = 2 INCHES
07 = 7/16 INCHES
OR
207 = 2-7/16"

E = EXPANSION
TYPE BEARING
IF E DOES NOT
APPEAR AFTER
SEAL TYPE, THEN
BEARING IS NON-
EXPANSION TYPE

D-LOK

Type E Family

Specialty Tapered

S-2000

UNISPHERE II

FEATURES/BENEFITS
PAGE B7-2

HOW TO ORDER
PAGE B7-23

SELECTION
PAGE B7-25

SELECTION/DIMENSIONS
PAGE B7-32



Special Duty

SPECIAL DUTY-DOUBLE ROW TAPERED ROLLER BEARINGS

DODGE Special Duty Double Row Tapered Roller Bearings have the highest capacity of all DODGE Tapered Roller Bearings. They carry heavy radial loads and combined radial and thrust loads. The maximum recommended load which can be applied is limited by various components in the system such as bearing, housing, shaft, shaft attachment, speed and life requirements as listed in this catalog. DODGE Special Duty Tapered Roller Bearings have been applied successfully even when these limits have been exceeded under controlled operating conditions. Contact DODGE Application Engineering (864) 284-5700 for applications which exceed the recommendations of this catalog.

L₁₀ Hours Life* --- The life which may be expected from at least 90% of a given group of bearings operating under identical conditions.

$$L_{10} = \left(\frac{C_{90}}{P} \right)^{10/3} \times \left(\frac{1,500,000}{\text{RPM}} \right)$$

Where:

C₉₀ = Dynamic Capacity (Table 4, pg. B7-28), lbs

P = Equivalent Radial Load, lbs.

GENERAL

Heavy Service --- For heavy shock loads, frequent shock loads, or severe vibrations, add up to 50% (according to severity of conditions) to the Equivalent Radial Load. Consult DODGE Application Engineering for additional selection assistance.

Thrust load values shown in the table below are recommended as a guide for general applications that will give adequate L₁₀ life for pillow blocks. The maximum thrust load should not exceed values shown on Table 2. Where substantial radial load is also present, it is advisable to calculate actual L₁₀ life to assure that it meets the requirements. The effectiveness of the shaft attachment to carry thrust load depends on proper tightening, shaft tolerance (see table below) and shaft deflections. Therefore, it is advisable to use auxiliary thrust carrying devices such as shaft shoulder, snap ring or a thrust collar to locate the bearing under thrust loads heavier than shown below, or where extreme reliability is desired.

| RPM RANGE | 20-200 | 201-2000 | Over 2000 |
|-------------------------|--------------------|--------------------|---------------------|
| RECOMMENDED THRUST LOAD | C ₉₀ /4 | C ₉₀ /8 | C ₉₀ /12 |

The shaft tolerances recommended below are adequate for normal radial and radial/thrust load applications. Since the allowable load, especially at a low speed, is very large, the shaft should be checked to assure adequate shaft strength.

The magnitude and direction of both the thrust and radial load must be taken into account when selecting a housing. **When pillow blocks are utilized, heavy loads should be directed through the base. Where uplift loads are involved, see Table 9, pg. B7-31 for maximum values.** Where a load pulls the housing away from the mounting base, both the hold-down bolts and housing must be of adequate strength. Auxiliary load carrying devices such as shear bars are advisable for side or end loading of pillow blocks and radial load for flange units.

| SHAFT SIZE | TOLERANCE, INCHES |
|------------------|-------------------|
| UP TO 1-1/2" | +.000-.002" |
| 1-9/16 TO 2-1/2" | +.000-.003" |
| 2-1/2 TO 4" | +.000-.004" |
| 4-3/16 TO 6" | +.000-.005" |
| 6-7/16 TO 8" | +.000-.006" |

L10 Life Adjustment - The calculated L10 Life obtained from this procedure is subject to life adjustment factors

in accordance with ABMA standards described on page B16-9. Consult Application Engineering for assistance.

| | | | |
|--------------------------------|----------------------------|----------------------------|------------------------------------|
| FEATURES/BENEFITS PAGE B7-2 | HOW TO ORDER PAGE B7-23 | NOMENCLATURE PAGE B7-24 | SELECTION/DIMENSIONS PAGE B7-32 |
|--------------------------------|----------------------------|----------------------------|------------------------------------|

SELECTION



Special Duty

SELECTING BEARINGS SUPPORTING RADIAL LOADS ONLY

1. Define L_{10} Life Hours desired.
2. Establish bearing radial load, F_R ($F_R = P$ for Pure Radial Load Conditions). The DODGE program BEST can be used to find application loads.
3. Establish RPM.

Using the easy selection Table 5, pg. B7-28 find, under the RPM column, the equivalent radial load that equals or is higher than the application radial load for the desired life. The shaft size on the far left will be the minimum shaft size that you can use for your application. If the desired life is different than the values shown on the chart, use alternate Method A shown below.

Example:

1. L_{10} Life = 30,000 Hours
2. Radial load = 3800 lbs.
3. RPM = 1,000

At the intersection of the 1,000 RPM column and the 30,000 hours L_{10} life row, the equivalent radial load of 5495 lbs. Exceeds the 3800 lbs. Radial load for shaft sizes 2-3/8" to 2-1/2". A bearing with bore ranging from 2-3/8" to 2-1/2" may be used for this application.

ALTERNATE METHOD A - SELECTING A BEARING FOR AN L_{10} LIFE VALUE NOT SHOWN IN THE EASY SELECTION CHART.

The L_{10} life equation can be rearranged so that the bearing dynamic capacity C is identified in terms of L_{10} , RPM and P.

$$C_{90} = \left(\frac{L_{10} \times \text{RPM}}{1,500,000} \right)^{0.3} \times P$$

($P = F_R$ for Pure Radial Load Conditions)

Since the L_{10} , RPM, and P are known, solve for C_{90} . Select from the dynamic capacity column on Table 4, pg. B7-28 the C_{90} value equal to or greater than the C_{90} value just calculated. The bore size on the far left represents the bore size selection. Check that the application RPM does not exceed the MAX. RPM on Table 4. When selecting an L_{10} life of less than 30,000 hours, particular attention must be paid to shaft deflection and proper lubricant selection.

SELECTING BEARINGS SUPPORTING COMBINATION RADIAL AND THRUST LOADS

When a bearing supports both a radial load and a thrust load, the loading on the two rows is shared unequally depending on the ratio of thrust to radial load. The use of the X (radial factor) and Y (thrust factor) from Table 4 converts the applied thrust load and radial loads to an equivalent radial load having the same effect on the life of the bearing as a radial load of this magnitude.

★ The DODGE Bearing Evaluation and Selection Technique (BEST) is a menu driven computer program that calculates bearing loads, fatigue life and operating temperature for a two bearing shaft system based on user supplied input parameters. This interactive program is available at www.ptwizord.com under the Product Selection area.

| | | | |
|--------------------------------|----------------------------|----------------------------|------------------------------------|
| FEATURES/BENEFITS PAGE B7-2 | HOW TO ORDER PAGE B7-23 | NOMENCLATURE PAGE B7-24 | SELECTION/DIMENSIONS PAGE B7-32 |
|--------------------------------|----------------------------|----------------------------|------------------------------------|



Special Duty

The equivalent radial load $P = XF_R + YF_A$

Where:

- P = Equivalent radial load, lbs.
- FR = Radial load, lbs.
- FA = Thrust (axial) load, lbs.
- e = Thrust load to radial load factor (Table 4)
- X = Radial load factor (Table 4)
- Y = Thrust load factor (Table 4)

To find X and Y, calculate FA/FR and compare to **e** for the selected bore size. Determine X and Y from Table 4, pg. B7-28 depending on whether FA/FR is equal to or less than **e**, or FA/FR is greater than **e**. Substitute all known values into the equivalent radial load equation. P (equivalent radial load) can be used in the life formula to determine L_{10} , or it can be compared to the allowable equivalent radial load ratings for the speed and hours life desired in the easy selection Table 5, pg. B7-28 & B7-29.

SELECTING BEARINGS SUPPORTING ONLY THRUST LOADS

Tapered Roller Bearings perform extremely well under pure thrust load applications. Use $P = YF_A$ for the equivalent radial load. The value of Y is obtained from Table 4, pg. B7-28 for $FA/FR > e$. Substitute Y and F_A into the equivalent load equation. P (equivalent radial load) can be used in the life formula to determine L_{10} or it can be compared to the allowable equivalent radial load ratings for the speed and hours life desired in the easy selection Table 5, pg. B7-28 & B7-29.

LUBRICATION

DODGE Special Duty Tapered Roller Bearings up to 5, bore are lubricated at the factory with Mobil Mobilith AW

2 grease. Above 5" bore they are lubricated with Mobil Mobilux #2EP, a superior industrial grease using a lithium hydroxystearate thickener and highly refined base oil. This grease will adequately handle low and medium speeds with low and medium loads at normal temperatures as defined on Table 8, pg. B7-31 For very low and high speeds, for heavy loads and for low and high temperatures, special greases must be used. Contact DODGE Application Engineering (864) 284-5700. DODGE engineers will recommend bearings and lubricants for the above unusual conditions. DODGE also has the expertise to custom design and build special bearings for your needs. The only maintenance requirement for DODGE Tapered Roller Bearings is periodic relubrication at regular intervals as outlined in the appropriate instruction manuals

INSTALLATION AND MAINTENANCE

In nearly all applications good design practice requires two bearings supporting the shaft. In cases where three or more bearings are installed, unless precautions are taken to line the bearings up, both vertically and horizontally, it is possible to induce heavy loads. In the case of two bearings, alignment is not as critical, especially with DODGE Special Duty Tapered Roller Bearings. Special Duty bearings are designed to allow as much as 2° to 5° of static misalignment up to 8" bore size. 1° to 1.5° for bore sizes greater than 8". To ensure good alignment, mounting surfaces must be checked for flatness and must lie in the same plane. When tightening base bolts and cap bolts, each bolt should be alternately tightened in incremental torque values until full torque is achieved to prevent the angular shifting of the pillow block that occurs when one bolt is tightened to its full torque. Shimming may be required to minimize misalignment.

| | | | |
|--------------------------------|----------------------------|----------------------------|------------------------------------|
| FEATURES/BENEFITS PAGE B7-2 | HOW TO ORDER PAGE B7-23 | NOMENCLATURE PAGE B7-24 | SELECTION/DIMENSIONS PAGE B7-32 |
|--------------------------------|----------------------------|----------------------------|------------------------------------|

SELECTION



Special Duty

Table 4: Special Duty Roller Bearings Radial/Thrust Factors

| SHAFT SIZE INCHES | e | $F_A/F_R \leq e$ | | $F_A/F_R \geq e$ | | DYNAMIC CAPACITY C_{90} | | MAXIMUM RPM |
|-------------------|------|------------------|------|------------------|------|---------------------------|---------|-------------|
| | | X | Y | X | Y | LBS. | NEWTONS | |
| 1-3/8 - 1-1/2 | 0.31 | 0.87 | 2.75 | 0.70 | 3.32 | 7,690 | 34,217 | 3,250 |
| 1-9/16 - 1-3/4 | 0.35 | 0.87 | 2.49 | 0.70 | 3.01 | 8,260 | 36,753 | 2,900 |
| 1-7/8 - 2 | 0.36 | 0.87 | 2.38 | 0.70 | 2.87 | 8,550 | 38,044 | 2,700 |
| 2-1/8 - 2-1/4 | 0.41 | 0.87 | 2.09 | 0.70 | 2.52 | 9,290 | 41,336 | 2,300 |
| 2-3/8 - 2-1/2 | 0.39 | 0.87 | 2.19 | 0.70 | 2.64 | 13,500 | 60,069 | 2,180 |
| 2-5/8 - 3 | 0.41 | 0.87 | 2.09 | 0.70 | 2.52 | 19,400 | 86,322 | 1,830 |
| 3-3/16 - 3-1/2 | 0.48 | 0.87 | 1.79 | 0.70 | 2.16 | 24,900 | 110,794 | 1,510 |
| 3-11/16 - 4 | 0.43 | 0.87 | 2.02 | 0.70 | 2.44 | 34,200 | 152,175 | 1,330 |
| 4-7/16 - 4-1/2 | 0.50 | 0.87 | 1.73 | 0.70 | 2.09 | 35,900 | 159,739 | 1,120 |
| 4-15/16 - 5 | 0.45 | 0.87 | 1.90 | 0.70 | 2.30 | 48,400 | 215,358 | 1,040 |
| 5-7/16 - 6 | 0.48 | 0.87 | 1.80 | 0.70 | 2.18 | 62,000 | 275,873 | 860 |
| 6-1/2 - 7 | 0.54 | 0.87 | 1.61 | 0.70 | 1.95 | 68,700 | 305,685 | 760 |
| 7-15/16 - 8 | 0.34 | 0.87 | 2.55 | 0.70 | 3.08 | 79,200 | 352,406 | 700 |
| 8-1/2 - 10 | 0.45 | 0.87 | 1.90 | 0.70 | 2.30 | 76,500 | 340,392 | 550 |
| 11 - 12 | 0.34 | 0.87 | 2.53 | 0.70 | 3.06 | 124,000 | 551,746 | 490 |

COMPARING SPHERICAL TO TAPER ROLLER BEARING

The dynamic capacity C (spherical) and C90 (taper) are not to the same base. To compare basic dynamic capacities, multiply C x .259 and compare to C_{90} .

* C_{90} - Dynamic capacity based on a rated life of 90 million revolutions or 3000 hours at 500 RPM

Table 5: Dodge Special Duty Tapered Roller Bearings

| Shaft Size Inches | Hours Life | Allowable Equivalent Radial Load Rating (Lbs.) At Various Revolutions Per Minute* | | | | | | | | | | | | |
|-------------------|---------------|---|--------------|-------------|-------------|-------------|-------------|-------------|-------------|-------------|-------------|-------------|-------------|-------------|
| | | 50 | 100 | 250 | 500 | 750 | 1000 | 1250 | 1500 | 1750 | 2000 | 2500 | 3000 | 3500 |
| 1-3/8 | 5,000 | 13165 | 10690 | 8120 | 6595 | 5840 | 5360 | 5010 | 4745 | 4530 | 4350 | 4070 | 3855 | 3680 |
| 1-3/8 | 10,000 | 10690 | 8685 | 6595 | 5360 | 4745 | 4350 | 4070 | 3855 | 3680 | 3535 | 3305 | 3130 | 2990 |
| 1-7/16 | 30,000 | 7690 | 6245 | 4745 | 3855 | 3410 | 3130 | 2925 | 2770 | 2645 | 2540 | 2380 | 2250 | 2150 |
| 1-1/2 | 50,000 | 6595 | 5360 | 4070 | 3305 | 2925 | 2685 | 2510 | 2380 | 2270 | 2180 | 2040 | 1930 | 1845 |
| 1-1/2 | 100,000 | 5360 | 4350 | 3305 | 2685 | 2380 | 2180 | 2040 | 1930 | 1845 | 1770 | 1655 | 1570 | 1500 |
| 1-9/16 | 5,000 | 14140 | 11485 | 8725 | 7085 | 6275 | 5755 | 5385 | 5095 | 4865 | 4675 | 4370 | 4140 | |
| 1-9/16 | 10,000 | 11485 | 9330 | 7085 | 5755 | 5095 | 4675 | 4370 | 4140 | 3950 | 3795 | 3550 | 3360 | |
| 1-5/8 | 30,000 | 8260 | 6710 | 5095 | 4140 | 3665 | 3360 | 3145 | 2975 | 2840 | 2730 | 2555 | 2420 | |
| 1-11/16 | 50,000 | 7085 | 5755 | 4370 | 3550 | 3145 | 2885 | 2700 | 2555 | 2440 | 2345 | 2190 | 2075 | |
| 1-3/4 | 100,000 | 5755 | 4675 | 3550 | 2885 | 2555 | 2345 | 2190 | 2075 | 1980 | 1905 | 1780 | 1685 | |
| 1-7/8 | 5,000 | 14635 | 11885 | 9030 | 7335 | 6495 | 5960 | 5570 | 5275 | 5035 | 4840 | 4525 | | |
| 1-7/8 | 10,000 | 11885 | 9655 | 7335 | 5960 | 5275 | 4840 | 4525 | 4285 | 4090 | 3930 | 3675 | | |
| 1-15/16 | 30,000 | 8550 | 6945 | 5275 | 4285 | 3795 | 3480 | 3255 | 3080 | 2940 | 2825 | 2645 | | |
| 2 | 50,000 | 7335 | 5960 | 4525 | 3675 | 3255 | 2985 | 2790 | 2645 | 2525 | 2425 | 2270 | | |
| 2 | 100,000 | 5960 | 4840 | 3675 | 2985 | 2645 | 2425 | 2270 | 2145 | 2050 | 1970 | 1840 | | |
| 2-1/8 | 5,000 | 15900 | 12915 | 9810 | 7970 | 7055 | 6475 | 6055 | 5730 | 5475 | 5260 | | | |
| 2-1/8 | 10,000 | 12915 | 10490 | 7970 | 6475 | 5730 | 5260 | 4915 | 4655 | 4445 | 4270 | | | |
| 2-3/16 | 30,000 | 9290 | 7545 | 5730 | 4655 | 4120 | 3780 | 3535 | 3350 | 3195 | 3070 | | | |
| 2-1/4 | 50,000 | 7970 | 6475 | 4915 | 3995 | 3535 | 3245 | 3035 | 2870 | 2745 | 2635 | | | |
| 2-1/4 | 100,000 | 6475 | 5260 | 3995 | 3245 | 2870 | 2635 | 2465 | 2335 | 2230 | 2140 | | | |
| 2-3/8 | 5,000 | 23110 | 18770 | 14260 | 11580 | 10255 | 9405 | 8800 | 8330 | 7955 | 7640 | | | |
| 2-3/8 | 10,000 | 18770 | 15245 | 11580 | 9405 | 8330 | 7640 | 7145 | 6765 | 6460 | 6205 | | | |
| 2-7/16 | 30,000 | 13500 | 10965 | 9330 | 6765 | 5990 | 5495 | 5140 | 4865 | 4645 | 4465 | | | |
| 2-1/2 | 50,000 | 11580 | 9405 | 7145 | 5805 | 5140 | 4715 | 4410 | 4175 | 3985 | 3830 | | | |
| 2-1/2 | 100,000 | 9405 | 7640 | 5805 | 4715 | 4175 | 3830 | 3580 | 3390 | 3235 | 3110 | | | |

| | | | |
|--------------------------------|----------------------------|----------------------------|------------------------------------|
| FEATURES/BENEFITS PAGE B7-2 | HOW TO ORDER PAGE B7-23 | NOMENCLATURE PAGE B7-24 | SELECTION/DIMENSIONS PAGE B7-32 |
|--------------------------------|----------------------------|----------------------------|------------------------------------|

D-LOK

Type E Family

Specialty Tapered

S-2000

UNISPHERE II



Special Duty

Table 5: Dodge Special Duty Tapered Roller Bearings (Cont.)

| Shaft Size Inches | Hour Life | Allowable Equivalent Radial Load Rating (Lbs.) At Various Revolutions Per Minute* | | | | | | | | | | | | |
|-------------------|---------------|---|---------------|--------------|--------------|--------------|--------------|--------------|-------------|-------------|------|------|------|------|
| | | 50 | 100 | 250 | 500 | 750 | 1000 | 1250 | 1500 | 1750 | 2000 | 2500 | 3000 | 3500 |
| 2-5/8 | 5,000 | 33210 | 26975 | 20490 | 16645 | 14735 | 13520 | 12645 | 11970 | 11430 | | | | |
| 2-11/16 | 10,000 | 26975 | 21910 | 16645 | 13520 | 11970 | 10980 | 10270 | 9725 | 9285 | | | | |
| 2-3/4 | 30,000 | 19400 | 15755 | 11970 | 9725 | 8610 | 7895 | 7385 | 6995 | 6675 | | | | |
| 2-15/16 | 50,000 | 16645 | 13520 | 10270 | 8340 | 7385 | 6775 | 6335 | 6000 | 5730 | | | | |
| 3 | 100,000 | 13520 | 10980 | 8340 | 6775 | 6000 | 5505 | 5145 | 4875 | 4650 | | | | |
| 3-3/16 | 5,000 | 42625 | 34620 | 26300 | 21360 | 18915 | 17350 | 16225 | 15365 | 14095 | | | | |
| 3-3/8 | 10,000 | 34620 | 28120 | 21360 | 17350 | 15365 | 14095 | 13180 | 12480 | | | | | |
| 3-7/16 | 30,000 | 24900 | 20225 | 15365 | 12480 | 11050 | 10135 | 9480 | 8975 | | | | | |
| 3-7/16 | 50,000 | 21360 | 17350 | 13180 | 10705 | 9480 | 8695 | 8135 | 7700 | | | | | |
| 3-1/2 | 100,000 | 17350 | 14095 | 10705 | 8695 | 7700 | 7065 | 6505 | 6255 | | | | | |
| 3-11/16 | 5,000 | 58540 | 47550 | 36120 | 29340 | 25980 | 23830 | 22290 | | | | | | |
| 3-3/4 | 10,000 | 47550 | 38625 | 29340 | 23830 | 21100 | 19355 | 18105 | | | | | | |
| 3-7/8 | 30,000 | 34200 | 27780 | 21100 | 17140 | 15175 | 13920 | 13020 | | | | | | |
| 3-15/16 | 50,000 | 29340 | 23830 | 18105 | 14705 | 13020 | 11945 | 11170 | | | | | | |
| 4 | 100,000 | 23830 | 19355 | 14705 | 11945 | 10575 | 9700 | 9075 | | | | | | |
| 4-7/16 | 5,000 | 61450 | 49915 | 37920 | 30800 | 27270 | 25015 | | | | | | | |
| 4-7/16 | 10,000 | 49915 | 40545 | 30800 | 25015 | 22150 | 20320 | | | | | | | |
| 4-1/2 | 30,000 | 35900 | 29160 | 22150 | 17990 | 15930 | 14615 | | | | | | | |
| 4-1/2 | 50,000 | 30800 | 25015 | 19005 | 15435 | 13670 | 12540 | | | | | | | |
| 4-1/2 | 100,000 | 25015 | 20320 | 15435 | 12540 | 11100 | 10185 | | | | | | | |
| 4-15/16 | 5,000 | 82850 | 67295 | 51120 | 41525 | 36765 | 33725 | | | | | | | |
| 4-15/16 | 10,000 | 67295 | 54660 | 41525 | 33725 | 29865 | 27395 | | | | | | | |
| 5 | 30,000 | 48400 | 39315 | 29865 | 24255 | 21480 | 19705 | | | | | | | |
| 5 | 50,000 | 41525 | 33725 | 25620 | 20810 | 18425 | 16905 | | | | | | | |
| 5 | 100,000 | 33725 | 27395 | 20810 | 16905 | 14965 | 13730 | | | | | | | |
| 5-7/16 | 5,000 | 106130 | 86205 | 65485 | 53190 | 47100 | | | | | | | | |
| 5-7/16 | 10,000 | 86205 | 70020 | 53190 | 43205 | 38255 | | | | | | | | |
| 6 | 30,000 | 62000 | 50360 | 38255 | 31075 | 27515 | | | | | | | | |
| 6 | 50,000 | 53190 | 43205 | 32820 | 26660 | 23605 | | | | | | | | |
| 6 | 100,000 | 43205 | 35090 | 26660 | 21655 | 19175 | | | | | | | | |
| 6-1/2 | 5,000 | 117600 | 95520 | 72560 | 58940 | 52190 | | | | | | | | |
| 6-15/16 | 10,000 | 95520 | 77585 | 58940 | 47575 | 42390 | | | | | | | | |
| 7 | 30,000 | 68700 | 55800 | 42390 | 34430 | 30490 | | | | | | | | |
| 7 | 50,000 | 58940 | 47875 | 36365 | 29540 | 26155 | | | | | | | | |
| 7 | 100,000 | 47875 | 38885 | 29540 | 23995 | 21245 | | | | | | | | |
| 7-15/16 | 5,000 | 135570 | 110120 | 83650 | 67945 | 60165 | | | | | | | | |
| 7-15/16 | 10,000 | 110120 | 89445 | 67945 | 55190 | 48870 | | | | | | | | |
| 8 | 30,000 | 79200 | 64330 | 48870 | 39695 | 35145 | | | | | | | | |
| 8 | 50,000 | 67945 | 55190 | 41925 | 34055 | 30155 | | | | | | | | |
| 8 | 100,000 | 55190 | 44830 | 34055 | 27660 | 24490 | | | | | | | | |
| 8-1/2 | 5,000 | 130950 | 106365 | 80800 | 65630 | | | | | | | | | |
| 8-1/2 | 10,000 | 106365 | 86395 | 65630 | 53310 | | | | | | | | | |
| 9 | 30,000 | 76500 | 62135 | 47205 | 38340 | | | | | | | | | |
| 9-1/2 | 50,000 | 65630 | 53310 | 40495 | 32895 | | | | | | | | | |
| 10 | 100,000 | 53310 | 43300 | 32895 | 26715 | | | | | | | | | |
| 11 | 5,000 | 212260 | 172410 | 130970 | 106380 | | | | | | | | | |
| 11 | 10,000 | 172410 | 140040 | 106380 | 86410 | | | | | | | | | |
| 12 | 30,000 | 124000 | 100720 | 76510 | 62145 | | | | | | | | | |
| 12 | 50,000 | 106380 | 86410 | 65640 | 53315 | | | | | | | | | |
| 12 | 100,000 | 86410 | 70185 | 53315 | 43305 | | | | | | | | | |

NOTE: See Table 4 on previous page for maximum RPM.

| | | | |
|--------------------------------|----------------------------|----------------------------|------------------------------------|
| FEATURES/BENEFITS PAGE B7-2 | HOW TO ORDER PAGE B7-23 | NOMENCLATURE PAGE B7-24 | SELECTION/DIMENSIONS PAGE B7-32 |
|--------------------------------|----------------------------|----------------------------|------------------------------------|

SELECTION



Special Duty

Table 6: Special Duty Pillow Blocks Housing Permissible Thrust Load, Lbs. *

| Shaft Size, Inches | 2-Bolt | 4-Bolt | Shaft Size, Inches | 2-Bolt | 4-Bolt |
|--------------------|--------|--------|--------------------|--------|--------|
| 1-3/8 | | | 3-11/16 | | |
| 1-7/16 | 1521 | --- | 3-3/4 | --- | 8250 |
| 1-1/2 | | | 3-7/8 | | |
| 1-9/16 | | | 3-15/16 | | |
| 1-5/8 | 1772 | --- | 4 | | |
| 1-11/16 | | | 4-7/16 | --- | 10538 |
| 1-3/4 | | | 4-1/2 | | |
| 1-7/8 | | | 4-15/16 | --- | 12190 |
| 1-15/16 | 1964 | --- | 5 | | |
| 2 | | | 5-7/16 | --- | 17957 |
| 2-1/8 | | | 5-15/16 | | |
| 2-3/16 | 2325 | --- | 6 | | |
| 2-1/4 | | | 6-1/2 | --- | 24115 |
| 2-3/8 | | | 6-15/16 | | |
| 2-7/16 | 3122 | 3122 | 7 | | |
| 2-1/2 | | | 7-15/16 | --- | 27260 |
| 2-5/8 | | | 8 | | |
| 2-11/16 | | | 8-1/2 | | |
| 2-3/4 | | | 9 | --- | 38138 |
| 2-13/16 | 4375 | 4375 | 9-1/2 | | |
| 2-7/8 | | | 10 | | |
| 2-15/16 | | | 11 | | |
| 3 | | | 12 | --- | 50655 |
| 3-3/16 | | | | | |
| 3-1/4 | | | | | |
| 3-3/8 | 6118 | 6118 | | | |
| 3-7/16 | | | | | |
| 3-1/2 | | | | | |

* The limits above apply to pillow blocks. For thrust loads larger than listed or heavy thrust loading on other style housing, contact DODGE Engineering for recommendation.

Table 7: Special Duty Maximum Total Axial Expansion

| Shaft Size - Inches | Special Duty | | |
|---------------------|--------------|-------------|------|
| | 2-Blt. P.B. | 4-Blt. P.B. | Flg. |
| 1-3/8 - 1-1/2 | 3/16 | - | 3/16 |
| 1-9/16 - 1-3/4 | 5/8 | - | 1/4 |
| 1-7/8 - 2 | 5/8 | - | 1/4 |
| 2-1/8 - 2-1/4 | 5/8 | - | 1/4 |
| 2-3/8 - 2-1/2 | 5/8 | 5/8 | 1/4 |
| 2-5/8 - 3 | 3/4 | 5/8 | 5/8 |
| 3-3/16 - 3-1/2 | 3/4 | 3/4 | 3/4 |
| 3-11/16 - 4 | - | 3/4 | 1/4 |
| 4-7/16 - 4-1/2 | - | 3/4 | 5/8 |
| 4-15/16 - 5 | - | 3/4 | 5/8 |
| 5-7/16 - 6 | - | 3/4 | 5/8 |
| 6-1/2 - 7 | - | 1-1/2 | - |
| 7-15/16 - 8 | - | 1-1/2 | - |
| 8-1/2 - 10 | - | 1-1/2 | - |
| 11 - 12 | - | 1-1/2 | - |

| | | | |
|--------------------------------|----------------------------|----------------------------|------------------------------------|
| FEATURES/BENEFITS PAGE B7-2 | HOW TO ORDER PAGE B7-23 | NOMENCLATURE PAGE B7-24 | SELECTION/DIMENSIONS PAGE B7-32 |
|--------------------------------|----------------------------|----------------------------|------------------------------------|



Special Duty

Table 8: Definition of Operating Conditions For Tapered Roller Bearings

| | |
|-----------------------|---------------------------------|
| LOW SPEED | UP TO 20% OF MAX. RPM (TABLE 1) |
| MEDIUM SPEED | OVER 20% TO 80% OF MAX. RPM |
| HIGH SPEED | OVER 80% OF MAX. RPM |
| LIGHT LOAD | UP TO 30% OF C90 (TABLE 1) |
| NORMAL LOAD | OVER 30% TO 70% OF C90 |
| HEAVY LOAD | OVER 70% OF C90 |
| LOW TEMPERATURE | -100°F TO 20°F |
| MEDIUM TEMPERATURE | OVER 20°F TO 200°F |
| HIGH TEMPERATURE | OVER 200°F TO 300°F |
| VERY HIGH TEMPERATURE | OVER 300°F TO 400°F |

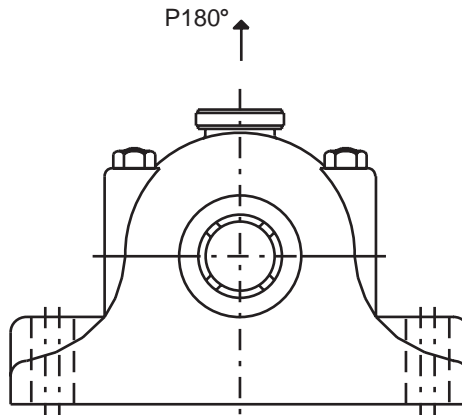


Table 9: Pillow Block Housing Ratings, Special Duty

| SHAFT SIZE (INCHES) | HOUSING STRENGTH LBS. GRAY IRON 180° |
|---------------------|--------------------------------------|
| 1-3/8 - 1-1/2 | 3,470 |
| 1-9/16 - 1-3/4 | 4,430 |
| 1-7/8 - 2 | 5,250 |
| 2-1/8 - 2-1/4 | 7,300 |
| 2-3/8 - 2-1/2 | 7,200 |
| 2-5/8 - 3 | 10,600 |
| 3-3/16 - 3-1/2 | 13,000 |
| 3-11/16 - 4 | 21,600 |
| 4-7/16 - 4-1/2 | 25,800 |
| 4-15/16 - 5 | 22,900 |
| 5-7/16 - 6 | 41,500 |
| 6-1/2 - 7 | 82,000 |
| 7-15/16 - 8 | 104,000 |

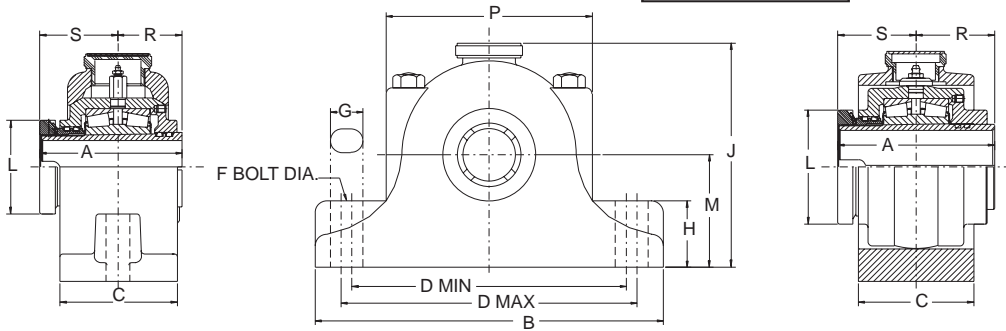
| | | | |
|--------------------------------|----------------------------|----------------------------|------------------------------------|
| FEATURES/BENEFITS PAGE B7-2 | HOW TO ORDER PAGE B7-23 | NOMENCLATURE PAGE B7-24 | SELECTION/DIMENSIONS PAGE B7-32 |
|--------------------------------|----------------------------|----------------------------|------------------------------------|

SELECTION/DIMENSIONS



Special Duty Pillow Block - Inch 2-BOLT BASE

NOTE: All sizes use a 1/8 - 27 NPT hydraulic grease fitting



NON-EXPANSION CONSTRUCTION

EXPANSION CONSTRUCTION

| GRAY IRON NON-EXPANSION* | | | |
|--------------------------|---------------|------------|---------------------|
| SHAFT SIZE INCHES # | PART NUMBER | PART NAME | WEIGHT LBS (APPROX) |
| 1-3/8 | 066213 | P2B-SD-106 | 20 |
| 1-7/16 | 066214 | P2B-SD-107 | 20 |
| 1-1/2 | 066300 | P2B-SD-108 | 20 |
| 1-9/16 | 066212 | P2B-SD-109 | 27 |
| 1-5/8 | 066228 | P2B-SD-110 | 27 |
| 1-11/16 | 066216 | P2B-SD-111 | 27 |
| 1-3/4 | 066301 | P2B-SD-112 | 27 |
| 1-7/8 | 066217 | P2B-SD-114 | 33 |
| 1-15/16 | 066218 | P2B-SD-115 | 32 |
| 2 | 066302 | P2B-SD-200 | 32 |
| 2-1/8 | 066215 | P2B-SD-202 | 48 |
| 2-3/16 | 066220 | P2B-SD-203 | 47 |
| 2-1/4 | 066303 | P2B-SD-204 | 47 |
| 2-7/16 | 066222 | P2B-SD-207 | 56 |
| 2-1/2 | 066246 | P2B-SD-208 | 56 |
| 2-5/8 | 066223 | P2B-SD-210 | 84 |
| 2-11/16 | 066304 | P2B-SD-211 | 84 |
| 2-3/4 | 066226 | P2B-SD-212 | 84 |
| 2-15/16 | 066230 | P2B-SD-215 | 82 |
| 3 | 066305 | P2B-SD-300 | 82 |
| 3-3/16 | 066232 | P2B-SD-303 | 120 |
| 3-3/8 | 066237 | P2B-SD-306 | 119 |
| 3-7/16 | 066234 | P2B-SD-307 | 118 |
| 3-1/2 | 066236 | P2B-SD-308 | 118 |

| GRAY IRON EXPANSION | | | |
|---------------------|---------------|--------------|---------------------|
| SHAFT SIZE INCHES # | PART NUMBER | PART NAME | WEIGHT LBS (APPROX) |
| 1-3/8 | 066249 | P2B-SD-106E | 22 |
| 1-7/16 | 066250 | P2B-SD-107E | 22 |
| 1-1/2 | 066306 | P2B-SD-108E | 22 |
| 1-9/16 | 066248 | P2B-SD-109E | 28 |
| 1-5/8 | 066243 | P2B-SD-110E | 28 |
| 1-11/16 | 066252 | P2B-SD-111E | 28 |
| 1-3/4 | 066307 | P2B-SD-112E | 28 |
| 1-7/8 | 066253 | P2B-SD-114E | 33 |
| 1-15/16 | 066254 | P2B-SD-115E | 32 |
| 2 | 066308 | P2B-SD-200E | 32 |
| 2-1/8 | 066257 | P2B-SD-202EE | 50 |
| 2-3/16 | 066256 | P2B-SD-203E | 49 |
| 2-1/4 | 066309 | P2B-SD-204E | 49 |
| 2-7/16 | 066258 | P2B-SD-207E | 60 |
| 2-1/2 | 066247 | P2B-SD-208E | 60 |
| 2-5/8 | 066262 | P2B-SD-210E | 80 |
| 2-11/16 | 066310 | P2B-SD-211E | 80 |
| 2-3/4 | 066263 | P2B-SD-212E | 80 |
| 2-15/16 | 066266 | P2B-SD-215E | 78 |
| 3 | 066311 | P2B-SD-300E | 78 |
| 3-3/16 ♣ | 066269 | P2B-SD-303E | 120 |
| 3-3/8 ♣ | 066271 | P2B-SD-306E | 119 |
| 3-7/16 ♣ | 066270 | P2B-SD-307E | 118 |
| 3-1/2 | 066273 | P2B-SD-308E | 118 |

* Furnished Unless Otherwise Specified

Consult DODGE For Sizes Not Listed

Consult DODGE For Sizes Not Listed

♣ 4-Bolt Caps

| | | | |
|--------------------------------|----------------------------|----------------------------|-------------------------|
| FEATURES/BENEFITS PAGE B7-2 | HOW TO ORDER PAGE B7-23 | NOMENCLATURE PAGE B7-24 | SELECTION PAGE B7-25 |
|--------------------------------|----------------------------|----------------------------|-------------------------|

SELECTION/DIMENSIONS



Special Duty Pillow Block - Inch 2-BOLT BASE

D-LOK

Type E Family

Speciality Tapered

S-2000

UNISPHERE II

| SHAFT SIZE INCHES | A | B | C | D | | F BOLT DIA. | G | H | J | L | M | P | R | S | EXP* |
|---|--------|--------|--------|--------|---------|-------------------|-------|-------|---------|---------|-------|---------|---------|--------|------|
| | | | | MIN. | MAX. | | | | | | | | | | |
| 1-3/8 1-7/16 1-1/2 | 4 | 9 | 3 | 6-7/8 | 7-5/8 | 1/2 | 1 | 2-1/8 | 6-1/4 | 2-7/16 | 2-7/8 | 5-7/8 | 1-13/16 | 2-3/16 | 3/16 |
| 1-9/16 1-5/8 1-11/16 1-3/4 | 4-1/8 | 9-1/2 | 3-7/16 | 7-9/16 | 7-15/16 | 1/2 | 1 | 2-3/8 | 6-13/16 | 2-13/16 | 3-1/8 | 5-15/16 | 1-7/8 | 2-1/4 | 5/8 |
| 1-7/8 1-15/16 2 | 4-1/4 | 11 | 3-1/2 | 8-1/4 | 9-1/4 | 5/8 | 1-1/4 | 2-1/2 | 7-1/8 | 3-1/16 | 3-1/4 | 7-1/4 | 1-15/16 | 2-5/16 | 5/8 |
| 2-1/8 2-3/16 2-1/4 | 4-9/16 | 12 | 4 | 9-1/8 | 10-3/8 | 5/8 | 1-1/4 | 2-7/8 | 8 | 3-7/16 | 3-3/4 | 7-1/4 | 2-1/16 | 2-1/2 | 5/8 |
| 2-7/16 2-1/2 | 5-1/16 | 13-1/4 | 4-1/4 | 10 | 11-1/2 | 3/4 | 1-1/2 | 3 | 8-9/16 | 3-13/16 | 4 | 7-13/16 | 2-5/16 | 2-3/4 | 5/8 |
| 2-5/8 2-11/16 2-3/4 2-15/16 3 | 5-3/4 | 14-1/4 | 4-3/4 | 11 | 12-1/2 | 3/4 | 1-1/2 | 3-3/4 | 9-7/8 | 4-7/16 | 4-3/4 | 8-11/16 | 2-5/8 | 3-1/8 | 3/4 |
| 3-3/16 3-3/8 3-7/16 3-1/2 | 6-3/8 | 16-3/4 | 5-1/2 | 13-1/4 | 14-1/4 | 7/8 | 1-1/2 | 4 | 11-3/8 | 5-1/16 | 5-1/2 | 11-1/4 | 2-15/16 | 3-7/16 | 3/4 |

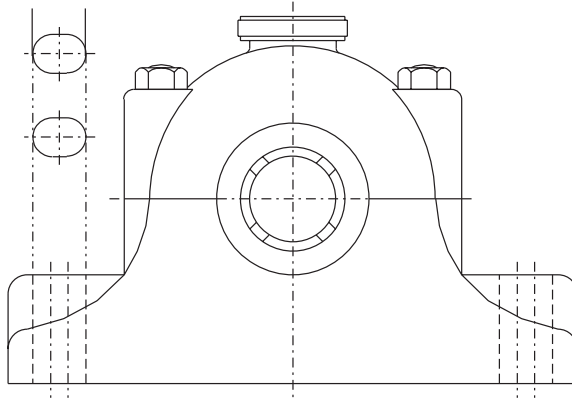
* Total Expansion For Expansion Bearing Only

| | | | |
|--------------------------------|----------------------------|----------------------------|-------------------------|
| FEATURES/BENEFITS PAGE B7-2 | HOW TO ORDER PAGE B7-23 | NOMENCLATURE PAGE B7-24 | SELECTION PAGE B7-25 |
|--------------------------------|----------------------------|----------------------------|-------------------------|

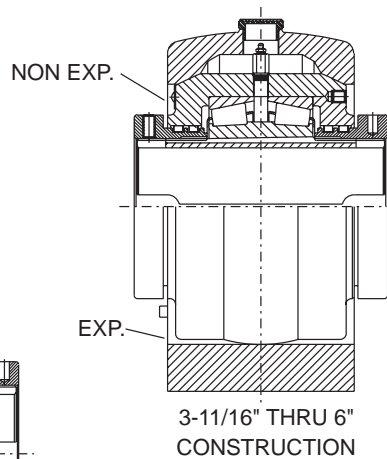
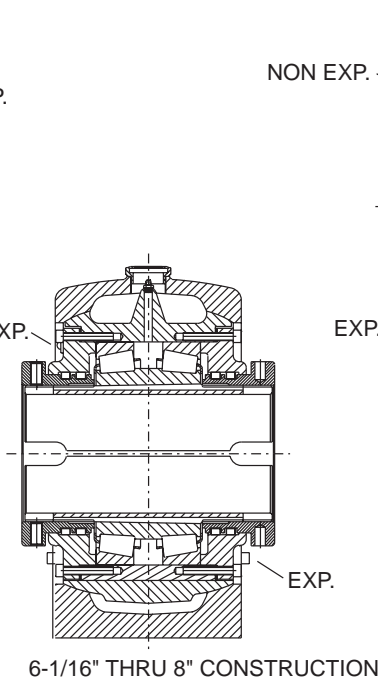
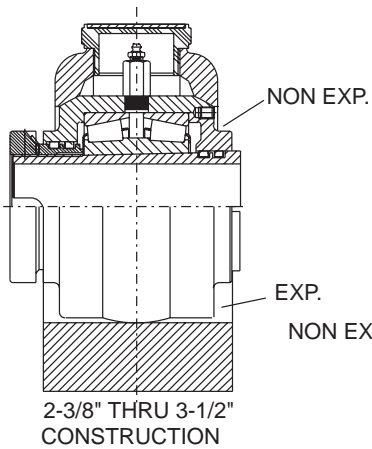
SELECTION/DIMENSIONS



Special Duty Pillow Block - Inch 4-BOLT BASE



NOTE: All sizes use a 1/8 - 27 NPT hydraulic grease fitting



D-LOK

Type E Family

Specialty Tapered

S-2000

UNISPHERE II

| | | | |
|--------------------------------|----------------------------|----------------------------|-------------------------|
| FEATURES/BENEFITS PAGE B7-2 | HOW TO ORDER PAGE B7-23 | NOMENCLATURE PAGE B7-24 | SELECTION PAGE B7-25 |
|--------------------------------|----------------------------|----------------------------|-------------------------|

SELECTION/DIMENSIONS



Special Duty Pillow Block - Inch 4-BOLT BASE

| GRAY IRON NON-EXPANSION * | | | |
|---------------------------|---------------|------------|---------------------|
| SHAFT SIZE INCHES # | PART NUMBER | PART NAME | WEIGHT LBS (APPROX) |
| 2-3/8 | 066360 | P4B-SD-206 | 60 |
| 2-7/16 | 066224 | P4B-SD-207 | 60 |
| 2-1/2 | 066244 | P4B-SD-208 | 60 |
| 2-11/16 | 066225 | P4B-SD-211 | 82 |
| 2-3/4 | 066363 | P4B-SD-212 | 82 |
| 2-7/8 | 066365 | P4B-SD-214 | 81 |
| 2-15/16 | 066231 | P4B-SD-215 | 80 |
| 3 | 066366 | P4B-SD-300 | 80 |
| 3-3/16 | 066367 | P4B-SD-303 | 124 |
| 3-3/8 | 066370 | P4B-SD-306 | 122 |
| 3-7/16 | 066235 | P4B-SD-307 | 120 |
| 3-1/2 | 066371 | P4B-SD-308 | 120 |
| 3-11/16 | 066372 | P4B-SD-311 | 215 |
| 3-3/4 | 066373 | P4B-SD-312 | 215 |
| 3-7/8 | 066374 | P4B-SD-314 | 215 |
| 3-15/16 | 066238 | P4B-SD-315 | 215 |
| 4 | 066375 | P4B-SD-400 | 215 |
| 4-7/16 | 066240 | P4B-SD-407 | 296 |
| 4-1/2 | 066377 | P4B-SD-408 | 296 |
| 4-15/16 | 066242 | P4B-SD-415 | 380 |
| 5 | 066378 | P4B-SD-500 | 380 |
| 5-7/16 | 066379 | P4B-SD-507 | 585 |
| 5-15/16 | 066381 | P4B-SD-515 | 585 |
| 6 | 066382 | P4B-SD-600 | 585 |
| 6-1/2 | 066384 | P4B-SD-608 | 1050 |
| 6-15/16 | 066385 | P4B-SD-615 | 1050 |
| 7 | 066386 | P4B-SD-700 | 1050 |
| 7-15/16 | 066388 | P4B-SD-715 | 1550 |
| 8 | 066389 | P4B-SD-800 | 1550 |

| GRAY IRON EXPANSION | | | |
|---------------------|---------------|-------------|---------------------|
| SHAFT SIZE INCHES # | PART NUMBER | PART NAME | WEIGHT LBS (APPROX) |
| 2-3/8 | 066400 | P4B-SD-206E | 60 |
| 2-7/16 | 066260 | P4B-SD-207E | 60 |
| 2-1/2 | 066245 | P4B-SD-208E | 60 |
| 2-11/16 | 066261 | P4B-SD-211E | 82 |
| 2-3/4 | 066403 | P4B-SD-212E | 82 |
| 2-7/8 | 066405 | P4B-SD-214E | 81 |
| 2-15/16 | 066268 | P4B-SD-215E | 80 |
| 3 | 066406 | P4B-SD-300E | 80 |
| 3-3/16 | 066407 | P4B-SD-303E | 124 |
| 3-3/8 | 066409 | P4B-SD-306E | 122 |
| 3-7/16 | 066272 | P4B-SD-307E | 120 |
| 3-1/2 | 066411 | P4B-SD-308E | 120 |
| 3-11/16 | 066412 | P4B-SD-311E | 230 |
| 3-3/4 | 066413 | P4B-SD-312E | 230 |
| 3-7/8 | 066414 | P4B-SD-314E | 230 |
| 3-15/16 | 066274 | P4B-SD-315E | 230 |
| 4 | 066415 | P4B-SD-400E | 230 |
| 4-7/16 | 066276 | P4B-SD-407E | 296 |
| 4-1/2 | 066417 | P4B-SD-408E | 296 |
| 4-15/16 | 066278 | P4B-SD-415E | 380 |
| 5 | 066418 | P4B-SD-500E | 380 |
| 5-7/16 | 066419 | P4B-SD-507E | 585 |
| 5-15/16 | 066421 | P4B-SD-515E | 585 |
| 6 | 066422 | P4B-SD-600E | 585 |
| 6-1/2 | 066424 | P4B-SD-608E | 1050 |
| 6-15/16 | 066425 | P4B-SD-615E | 1050 |
| 7 | 066426 | P4B-SD-700E | 1050 |
| 7-15/16 | 066428 | P4B-SD-715E | 1550 |
| 8 | 066429 | P4B-SD-800E | 1550 |

* Furnished Unless Otherwise Specified

Consult DODGE For Sizes Not Listed

Consult DODGE For Sizes Not Listed

Note: When ordering sizes larger than 5", specify RPM

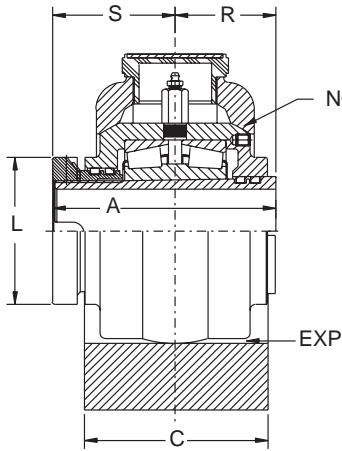
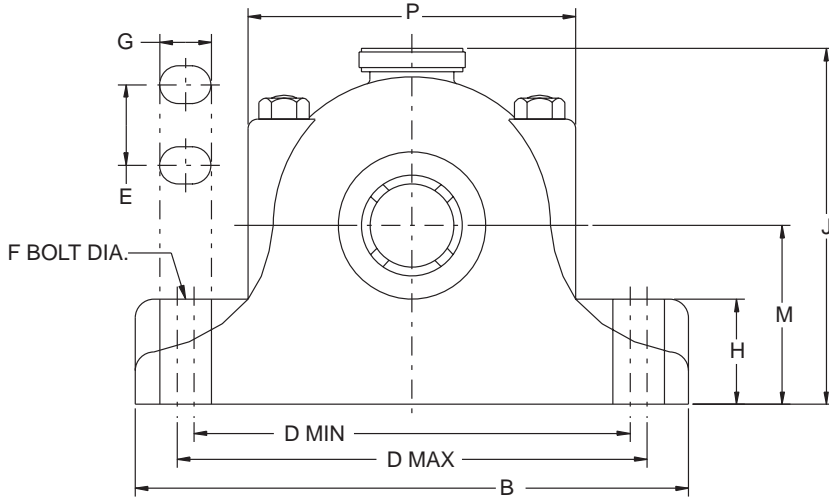
Note: All sizes use a 1/8 - 27 NPT hydraulic grease fitting

| | | | |
|--------------------------------|----------------------------|----------------------------|-------------------------|
| FEATURES/BENEFITS PAGE B7-2 | HOW TO ORDER PAGE B7-23 | NOMENCLATURE PAGE B7-24 | SELECTION PAGE B7-25 |
|--------------------------------|----------------------------|----------------------------|-------------------------|

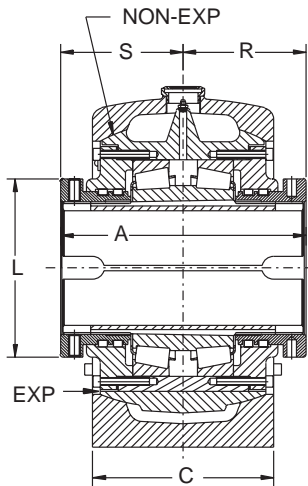
SELECTION/DIMENSIONS



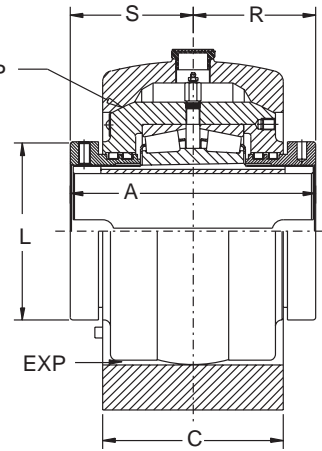
Special Duty Pillow Block - Inch 4-BOLT BASE



2-3/8" THRU 3-1/2"
CONSTRUCTION



6-1/16" THRU 8" CONSTRUCTION



3-11/16" THRU 6"
CONSTRUCTION

D-LOK

Type E Family

Specialty Tapered

S-2000

UNISPHERE II

| | | | |
|--------------------------------|----------------------------|----------------------------|-------------------------|
| FEATURES/BENEFITS PAGE B7-2 | HOW TO ORDER PAGE B7-23 | NOMENCLATURE PAGE B7-24 | SELECTION PAGE B7-25 |
|--------------------------------|----------------------------|----------------------------|-------------------------|

SELECTION/DIMENSIONS



Special Duty Pillow Block - Inch 4-BOLT BASE

| SHAFT SIZE Inches | A | B* | C* | D | | E | F BOLT DIA. | G* | H* | J | L | M | P* | R | S | EXP** |
|---|--------|--------|--------|--------|--------|-------|-------------------|-------|-------|--------|---------|--------|---------|---------|--------|-------|
| | | | | MIN. | MAX. | | | | | | | | | | | |
| 2-3/8 2-7/16 2-1/2 | 5-1/16 | 13-1/4 | 4-1/4 | 9-7/8 | 11-5/8 | 2-1/2 | 5/8 | 1-1/2 | 3 | 8-9/16 | 3-13/16 | 4 | 7-13/16 | 2-5/16 | 2-3/4 | 5/8 |
| 2-11/16 2-3/4 2-7/8 2-15/16 3 | 5-3/4 | 14-1/4 | 4-3/4 | 10-7/8 | 12-5/8 | 2-3/4 | 5/8 | 1-1/2 | 3-3/4 | 9-7/8 | 4-7/16 | 4-3/4 | 8-11/16 | 2-5/8 | 3-1/8 | 5/8 |
| 3-3/16 3-3/8 3-7/16 3-1/2 | 6-3/8 | 16-3/4 | 5-1/2 | 13 | 14-1/2 | 3-1/4 | 3/4 | 1-1/2 | 4 | 11-3/8 | 5-1/16 | 5-1/2 | 10-1/4 | 2-15/16 | 3-7/16 | 3/4 |
| 3-11/16 3-3/4 3-7/8 3-15/16 4 | 8-1/2 | 19 | 7 | 15 | 16 | 3-1/4 | 7/8 | 1-1/2 | 4 | 13-3/8 | 6-1/4 | 6-3/8 | 13-3/4 | 4-1/4 | 4-1/4 | 3/4 |
| 4-7/16 4-1/2 4-15/16 5 | 9-1/2 | 20 | 7-1/2 | 15-1/2 | 17-1/2 | 3-1/2 | 7/8 | 1-7/8 | 4 | 14-1/2 | 7-1/4 | 7-1/4 | 12-5/8 | 4-3/4 | 4-3/4 | 3/4 |
| 5-7/16 5-15/16 6 | 10-1/2 | 23 | 8-1/4 | 17-3/4 | 19-3/4 | 3-3/4 | 1 | 2-1/8 | 4-1/4 | 15-5/8 | 8 | 7-1/2 | 16-1/2 | 5-1/4 | 5-1/4 | 3/4 |
| 6-1/2 6-15/16 7 | 12 | 26-3/4 | 9-1/4 | 21-3/8 | 23-5/8 | 5 | 1-1/8 | 2-1/4 | 5 | 19 | 9-1/2 | 9 | 17-3/8 | 6 | 6 | 3/4 |
| 7-15/16 8 | 13-1/2 | 34-3/8 | 10-1/4 | 27-1/2 | 30-1/2 | 5-1/2 | 1-1/2 | 3 | 6 | 23 | 11 | 11-1/4 | 22-3/4 | 6-3/4 | 6-3/4 | 1-1/2 |
| | 14-1/2 | 38-3/4 | 11-1/4 | 30-1/2 | 34 | 6 | 1-3/4 | 3-1/2 | 7 | 26 | 12-1/2 | 12-1/2 | 25-1/8 | 7-1/4 | 7-1/4 | 1-1/2 |

* These Are As Cast Surfaces. Dimensions May Fluctuate Due To Draft Angles And Pattern Shifts

** Exp-Total Expansion Divided Equally On Both Sides Of Bearing (Expansion Bearing Only)

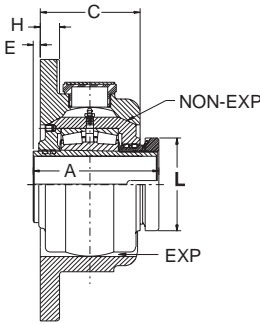
Note: All sizes use a 1/8 - 27 NPT hydraulic grease fitting

| | | | |
|--------------------------------|----------------------------|----------------------------|-------------------------|
| FEATURES/BENEFITS PAGE B7-2 | HOW TO ORDER PAGE B7-23 | NOMENCLATURE PAGE B7-24 | SELECTION PAGE B7-25 |
|--------------------------------|----------------------------|----------------------------|-------------------------|

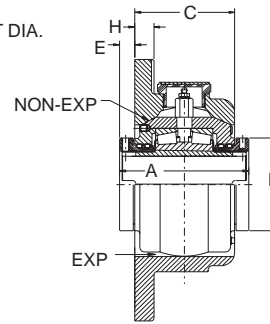
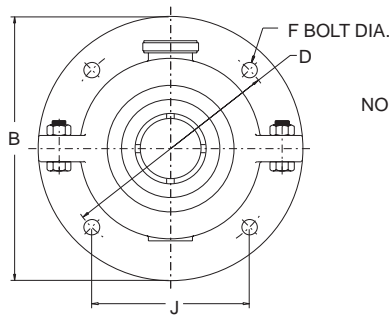
SELECTION/DIMENSIONS



Special Duty Flange Bearing - Inch



1-3/8" THRU 3-1/2" CONSTRUCTION



3-11/16" THRU 6" CONSTRUCTION

| GRAY IRON NON-EXPANSION* | | | |
|--------------------------|-------------|------------|---------------------|
| SHAFT SIZE INCHES # | PART NUMBER | PART NAME | WEIGHT LBS (APPROX) |
| 1-3/8 | 104160 | F4B-SD-106 | 21 |
| 1-7/16 | 104020 | F4B-SD-107 | 21 |
| 1-1/2 | 104161 | F4B-SD-108 | 21 |
| 1-11/16 | 104021 | F4B-SD-111 | 30 |
| 1-3/4 | 104162 | F4B-SD-112 | 30 |
| 1-15/16 | 104022 | F4B-SD-115 | 37 |
| 2 | 104164 | F4B-SD-200 | 37 |
| 2-3/16 | 104023 | F4B-SD-203 | 46 |
| 2-3/8 | 104169 | F4B-SD-206 | 62 |
| 2-7/16 | 104024 | F4B-SD-207 | 62 |
| 2-1/2 | 1041710 | F4B-SD-208 | 62 |
| 2-11/16 | 104172 | F4B-SD-211 | 85 |
| 2-3/4 | 104173 | F4B-SD-212 | 83 |
| 2-15/16 | 104025 | F4B-SD-215 | 81 |
| 3 | 104176 | F4B-SD-300 | 81 |
| 3-3/16 | 104177 | F4B-SD-303 | 141 |
| 3-7/16 | 104026 | F4B-SD-307 | 139 |
| 3-1/2 | 104181 | F4B-SD-308 | 138 |
| 3-15/16 | 104027 | F4B-SD-315 | 230 |
| 4 | 104010 | F4B-SD-400 | 229 |
| 4-7/16 | 104028 | F4B-SD-407 | 325 |
| 4-15/16 | 104029 | F4B-SD-415 | 430 |
| 5 | 104013 | F4B-SD-500 | 428 |
| 5-15/16 | 104016 | F4B-SD-515 | 560 |
| 6 | 104018 | F4B-SD-600 | 560 |

| GRAY IRON EXPANSION | | | |
|---------------------|-------------|-------------|---------------------|
| SHAFT SIZE INCHES # | PART NUMBER | PART NAME | WEIGHT LBS (APPROX) |
| 1-3/8 | 104195 | F4B-SD-106E | 22 |
| 1-7/16 | 104030 | F4B-SD-107E | 22 |
| 1-1/2 | 104196 | F4B-SD-108E | 22 |
| 1-11/16 | 104031 | F4B-SD-115E | 30 |
| 1-3/4 | 104197 | F4B-SD-112E | 30 |
| 1-15/16 | 104032 | F4B-SD-115E | 37 |
| 2 | 104199 | F4B-SD-200E | 37 |
| 2-3/16 | 104033 | F4B-SD-203E | 49 |
| 2-3/8 | 104204 | F4B-SD-206E | 64 |
| 2-7/16 | 104034 | F4B-SD-207E | 64 |
| 2-1/2 | 104205 | F4B-SD-208E | 64 |
| 2-11/16 | 104207 | F4B-SD-211E | 88 |
| 2-3/4 | 104208 | F4B-SD-212E | 86 |
| 2-15/16 | 104035 | F4B-SD-215E | 85 |
| 3 | 104211 | F4B-SD-300E | 84 |
| 3-3/16 | 104212 | F4B-SD-303E | 145 |
| 3-7/16 | 104036 | F4B-SD-307E | 144 |
| 3-1/2 | 104216 | F4B-SD-308E | 143 |
| 3-15/16 | 104037 | F4B-SD-315E | 234 |
| 4 | 104003 | F4B-SD-400E | 234 |
| 4-7/16 | 104038 | F4B-SD-407E | 325 |
| 4-15/16 | 104039 | F4B-SD-415E | 430 |
| 5 | 104006 | F4B-SD-500E | 428 |
| 5-15/16 | 104017 | F4B-SD-515E | 560 |
| 6 | 104019 | F4B-SD-600E | 560 |

* Furnished Unless Otherwise Specified

Consult DODGE For Sizes Not Listed

Consult DODGE For Sizes Not Listed

Note: when ordering sizes larger than 5", specify RPM

| | | | |
|--------------------------------|----------------------------|----------------------------|-------------------------|
| FEATURES/BENEFITS PAGE B7-2 | HOW TO ORDER PAGE B7-23 | NOMENCLATURE PAGE B7-24 | SELECTION PAGE B7-25 |
|--------------------------------|----------------------------|----------------------------|-------------------------|

SELECTION/DIMENSIONS



Special Duty Flange Bearing - Inch

| SHAFT SIZE INCHES | A | B | C | D | E | F BOLT DIA. | H | J | L | EXP* |
|------------------------------------|--------|--------|-------|--------|-------|-------------|-------|--------|---------|------|
| 1-3/8 1-7/16 1-1/2 | 4 | 8-1/4 | 3 | 7 | 5/16 | 1/2 | 5/8 | 4.950 | 2-7/16 | 3/16 |
| 1-11/16 1-3/4 | 4-1/8 | 9 | 3-3/8 | 7-5/8 | 3/16 | 1/2 | 11/16 | 5.392 | 2-13/16 | 1/4 |
| 1-15/16 2 | 4-1/4 | 10 | 3-1/2 | 8-3/8 | 3/16 | 5/8 | 3/4 | 5.922 | 3-1/16 | 1/4 |
| 2-3/16 2-3/8 2-7/16 2-1/2 | 4-9/16 | 10-3/4 | 4 | 9-1/8 | 1/16 | 5/8 | 13/16 | 6.452 | 3-7/16 | 1/4 |
| 2-11/16 2-3/4 2-15/16 3 | 5-3/4 | 13 | 4-5/8 | 11-1/4 | 5/16 | 3/4 | 1 | 7.955 | 4-7/16 | 5/8 |
| 3-3/16 3-7/16 3-1/2 | 6-3/8 | 14-1/2 | 5-3/8 | 12-1/2 | 1/4 | 7/8 | 1-1/8 | 8.839 | 5-1/16 | 1/4 |
| 3-15/16 4 | 8-1/2 | 18 | 6-3/4 | 15-3/4 | 7/8 | 1 | 1-1/4 | 11.137 | 6-1/4 | 1/4 |
| 4-7/16 4-15/16 5 | 9-1/2 | 19-1/2 | 7-1/4 | 17 | 1-1/8 | 1-1/8 | 1-3/8 | 12.021 | 7-1/4 | 5/8 |
| 5-15/16 6 | 12 | 25-1/2 | 9 | 22-1/2 | 1-1/2 | 1-1/4 | 1-3/4 | 15.910 | 9-1/2 | 5/8 |

* Exp-Total Expansion For Expansion Bearing Only

| | | | |
|--------------------------------|----------------------------|----------------------------|-------------------------|
| FEATURES/BENEFITS PAGE B7-2 | HOW TO ORDER PAGE B7-23 | NOMENCLATURE PAGE B7-24 | SELECTION PAGE B7-25 |
|--------------------------------|----------------------------|----------------------------|-------------------------|

SELECTION/DIMENSIONS



Special Duty Units - Inch

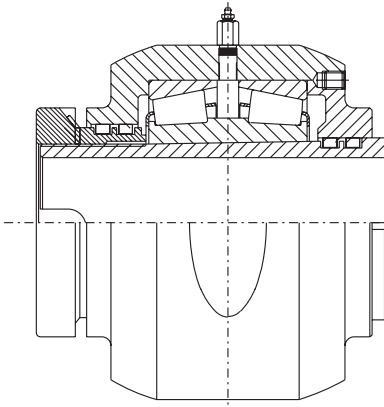
D-LOK

Type E Family

Specialty Tapered

S-2000

UNISPHERE II

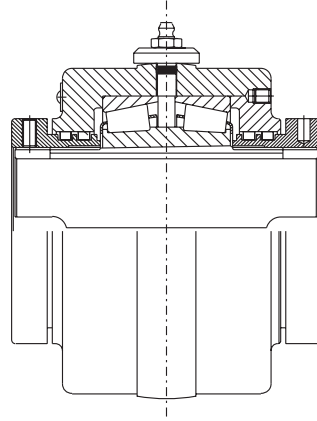


D UNIT

1-3/8" THRU 3-1/2" CONSTRUCTION

Non-Expansion

3-11/16" Thru 12" Not Shown
Consult DODGE for Detail

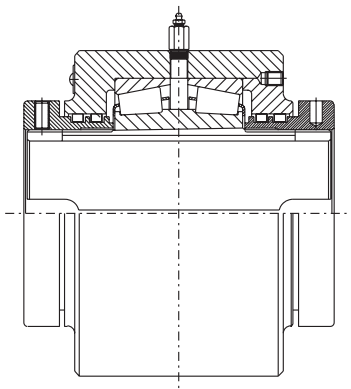


S-1 UNIT

3-11/16" THRU 6" CONSTRUCTION

Expansion

1-3/8" Thru 3-1/2" and 6" Thru 12" Not Shown
Consult DODGE for Detail

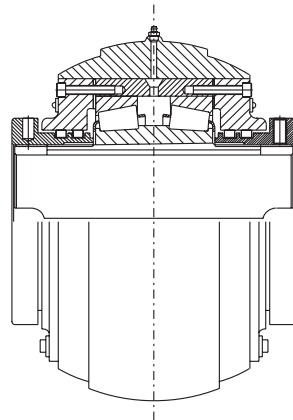


B-1 UNIT

3-11/16" THRU 6" CONSTRUCTION

Customer Supplied Housing Only

1-3/8" Thru 3-1/2" and 6-1/2" Thru 12" Not Shown
Consult DODGE for Detail



S-1 UNIT

6-1/2" THRU 8" CONSTRUCTION

Expansion

1-3/8" Thru 6" and 8-1/2" Thru 12" Not Shown
Consult DODGE for Detail

FEATURES/BENEFITS
PAGE B7-2

HOW TO ORDER
PAGE B7-23

NOMENCLATURE
PAGE B7-24

SELECTION
PAGE B7-25

SELECTION/DIMENSIONS



Special Duty Units - Inch

| SHAFT SIZE INCHES # | D UNITS - NON-EXPANSION | | S-1 UNITS - EXPANSION | | B-1 UNITS - CUSTOMER SUPPLIED HOUSING | | WEIGHT LBS (APPROX) |
|---------------------|-------------------------|------------|-----------------------|-------------|---------------------------------------|-------------|---------------------|
| | PART NUMBER | PART NAME | PART NUMBER | PART NAME | PART NUMBER | PART NAME | |
| 1-3/8 | 066445 | DU-SD-106 | 066500 | S1U-SD-106 | 066560 | B1U-SD-106 | 7 |
| 1-7/16 | 066280 | DU-SD-107 | 066290 | S1U-SD-107 | 066315 | B1U-SD-107 | 7 |
| 1-1/2 | 066446 | DU-SD-108 | 066501 | S1U-SD-108 | 066561 | B1U-SD-108 | 7 |
| 1-9/16 | 066444 | DU-SD-109 | 066499 | S1U-SD-109 | 066559 | B1U-SD-109 | 10 |
| 1-5/8 | 066324 | DU-SD-110 | 066312 | S1U-SD-110 | 066314 | B1U-SD-110 | 10 |
| 1-11/16 | 066281 | DU-SD-111 | 066291 | S1U-SD-111 | 066316 | B1U-SD-111 | 10 |
| 1-3/4 | 066447 | DU-SD-112 | 066502 | S1U-SD-112 | 066562 | B1U-SD-112 | 10 |
| 1-7/8 | 066448 | DU-SD-114 | 066503 | S1U-SD-114 | 066563 | B1U-SD-114 | 12 |
| 1-15/16 | 066282 | DU-SD-115 | 066292 | S1U-SD-115 | 066317 | B1U-SD-115 | 12 |
| 2 | 066464 | DU-SD-200 | 066504 | S1U-SD-200 | 066564 | B1U-SD-200 | 12 |
| 2-1/8 | 066450 | DU-SD-202 | 066506 | S1U-SD-202 | 066566 | B1U-SD-202 | 16 |
| 2-3/16 | 066283 | DU-SD-203 | 066293 | S1U-SD-203 | 066318 | B1U-SD-203 | 16 |
| 2-1/4 | 066451 | DU-SD-204 | 066507 | S1U-SD-204 | 066567 | B1U-SD-204 | 16 |
| 2-3/8 | ----- | ----- | 066509 | S1U-SD-206 | 066569 | B1U-SD-206 | 20 |
| 2-7/16 | 066284 | DU-SD-207 | 066294 | S1U-SD-207 | 066319 | B1U-SD-207 | 20 |
| 2-1/2 | 066285 | DU-SD-208 | 066510 | S1U-SD-208 | 066570 | B1U-SD-208 | 20 |
| 2-5/8 | 066455 | DU-SD-210 | 066511 | S1U-SD-210 | 066571 | B1U-SD-210 | 29 |
| 2-11/16 | 066279 | DU-SD-211 | 066326 | S1U-SD-211 | 066572 | B1U-SD-211 | 29 |
| 2-3/4 | 066456 | DU-SD-212 | 066512 | S1U-SD-212 | 066573 | B1U-SD-212 | 29 |
| 2-13/16 | 066457 | DU-SD-213 | 066513 | S1U-SD-213 | 066574 | B1U-SD-213 | 29 |
| 2-7/8 | 066458 | DU-SD-214 | 066514 | S1U-SD-214 | 066575 | B1U-SD-214 | 29 |
| 2-15/16 | 066286 | DU-SD-215 | 066295 | S1U-SD-215 | 066320 | B1U-SD-215 | 29 |
| 3 | 066459 | DU-SD-300 | 066515 | S1U-SD-300 | 066576 | B1U-SD-300 | 29 |
| 3-3/16 | 066460 | DU-SD-303 | 066516 | S1U-SD-303 | 066577 | B1U-SD-303 | 47 |
| 3-1/4 | 066461 | DU-SD-304 | 066517 | S1U-SD-304 | 066578 | B1U-SD-304 | 47 |
| 3-3/8 | 066463 | DU-SD-306 | 066519 | S1U-SD-306 | 066580 | B1U-SD-306 | 47 |
| 3-7/16 | 066287 | DU-SD-307 | 066296 | S1U-SD-307 | 066321 | B1U-SD-307 | 47 |
| 3-1/2 | 066465 | DU-SD-308 | 066520 | S1U-SD-308 | 066581 | B1U-SD-308 | 47 |
| 3-11/16 | 066466 | DU-SD-311 | 066521 | S1U-SD-311 | 066582 | B1U-SD-311 | 94 |
| 3-3/4 | 066467 | DU-SD-312 | 066522 | S1U-SD-312 | 066583 | B1U-SD-312 | 94 |
| 3-7/8 | 066468 | DU-SD-314 | 066523 | S1U-SD-314 | 066584 | B1U-SD-314 | 94 |
| 3-15/16 | 066288 | DU-SD-315 | 066297 | S1U-SD-315 | 066322 | B1U-SD-315 | 94 |
| 4 | 066469 | DU-SD-400 | 066524 | S1U-SD-400 | 066585 | B1U-SD-400 | 94 |
| 4-7/16 | 066289 | DU-SD-407 | 066298 | S1U-SD-407 | 066587 | B1U-SD-407 | 116 |
| 4-1/2 | 066471 | DU-SD-408 | 066526 | S1U-SD-408 | 066588 | B1U-SD-408 | 116 |
| 4-15/16 | 066325 | DU-SD-415 | 066299 | S1U-SD-415 | 066589 | B1U-SD-415 | 175 |
| 5 | 066472 | DU-SD-500 | 066527 | S1U-SD-500 | 066590 | B1U-SD-500 | 175 |
| 5-7/16 | 066473 | DU-SD-507 | 066528 | S1U-SD-507 | 066591 | B1U-SD-507 | 300 |
| 5-15/16 | 066475 | DU-SD-515 | 066530 | S1U-SD-515 | 066593 | B1U-SD-515 | 300 |
| 6 | 066476 | DU-SD-600 | 066531 | S1U-SD-600 | 066594 | B1U-SD-600 | 300 |
| 6-1/2 | 066478 | DU-SD-608 | 066533 | S1U-SD-608 | 066596 | B1U-SD-608 | 560 |
| 6-15/16 | 066479 | DU-SD-615 | 066534 | S1U-SD-615 | 066598 | B1U-SD-615 | 560 |
| 7 | 066480 | DU-SD-700 | 066535 | S1U-SD-700 | 066607 | B1U-SD-700 | 560 |
| 7-15/16 | 066482 | DU-SD-715 | 066537 | S1U-SD-715 | 066600 | B1U-SD-715 | 800 |
| 8 | 066483 | DU-SD-800 | 066538 | S1U-SD-800 | 066601 | B1U-SD-800 | 800 |
| 8-1/2 | 066484 | DU-SD-808 | 066539 | S1U-SD-808 | 066602 | B1U-SD-808 | 1380 |
| 9 | 066485 | DU-SD-900 | 066540 | S1U-SD-900 | 066603 | B1U-SD-900 | 1380 |
| 9-1/2 | 066486 | DU-SD-908 | 066541 | S1U-SD-908 | ----- | ----- | 1380 |
| 10 | 066487 | DU-SD-1000 | 066542 | S1U-SD-1000 | 066604 | B1U SD 1000 | 1380 |
| 11 | 066488 | DU-SD-1100 | 066543 | S1U-SD-1100 | 066605 | B1U-SD-1100 | 1890 |
| 12 | 066489 | DU-SD-1200 | 066544 | S1U-SD-1200 | 066606 | B1U-SD-1200 | 1890 |

Consult DODGE For Sizes Not Listed
Note: When ordering sizes larger than 5", specify RPM

| | | | |
|--------------------------------|----------------------------|----------------------------|-------------------------|
| FEATURES/BENEFITS PAGE B7-2 | HOW TO ORDER PAGE B7-23 | NOMENCLATURE PAGE B7-24 | SELECTION PAGE B7-25 |
|--------------------------------|----------------------------|----------------------------|-------------------------|

SELECTION/DIMENSIONS



Special Duty Units - Inch

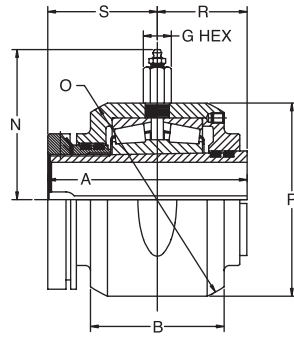
D-LOK

Type E Family

Specialty Tapered

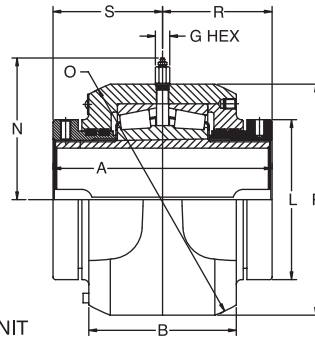
S-2000

UNISPHERE II

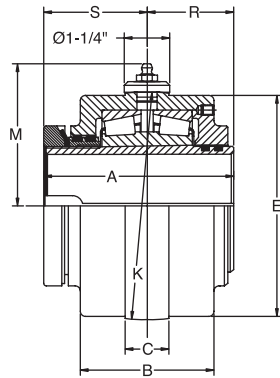


1-3/8" - 3-1/2"

D-UNIT

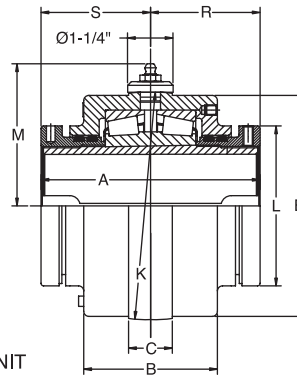


3-11/16" - 6"

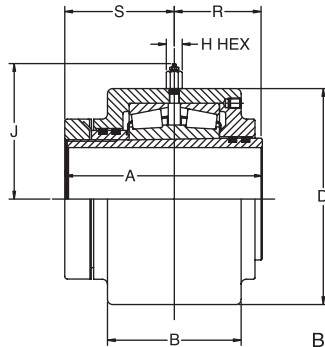


1-3/8" - 3-1/2"

S1-UNIT

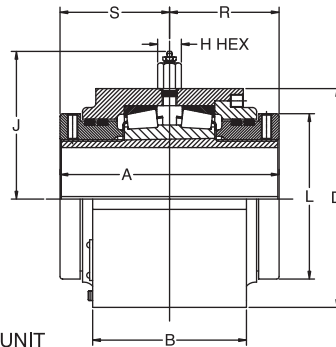


3-11/16" - 6"



1-3/8" - 3-1/2"

B1-UNIT



3-11/16" - 6"

FEATURES/BENEFITS
PAGE B7-2

HOW TO ORDER
PAGE B7-23

NOMENCLATURE
PAGE B7-24

SELECTION
PAGE B7-25

SELECTION/DIMENSIONS



Special Duty Units - Inch

| SHAFT SIZE INCHES | A | B | C | D | E | F | G | H | J | K | L | M | N | O | P | R | S |
|---|--------|---------|-------|-------------|---------|---------|------|-----|--------|--------------|---------|---------|---------|-------------|---------|---------|--------|
| 1-3/8 1-7/16 1-1/2 | 4 | 2-11/16 | 3/4 | 3-7/8 ★ | 3-3/4 | ---- | 7/16 | 5/8 | 3-1/16 | 4-1/16 ★ | 2-7/16 | 2-11/16 | 2-1/2 | 4.438 ★ | 3-15/16 | 1-13/16 | 2-3/16 |
| 1-9/16 1-5/8 1-11/16 1-3/4 | 4-1/8 | 3-1/8 | 3/4 | 4-1/4 ★ | 4-1/8 | ---- | 7/16 | 5/8 | 4-1/4 | 4-7/16 ★ | 2-13/16 | 2-7/8 | 2-3/4 | 5.000 ★ | 4-1/2 | 1-7/8 | 2-1/4 |
| 1-7/8 1-15/16 2 | 4-1/4 | 3-1/4 | 7/8 | 4-3/4 ★ | 4-1/2 | ---- | 5/8 | 5/8 | 4-3/4 | 4-13/16 ★ | 3-1/16 | 3-1/16 | 2-7/8 | 5.313 ★ | 4-3/4 | 1-15/16 | 2-5/16 |
| 2-1/8 2-3/16 2-1/4 | 4-9/16 | 3-1/2 | 7/8 | 5-1/4 ★ | 5-1/16 | ---- | 5/8 | 5/8 | 5-1/4 | 5-3/8 ★ | 3-7/16 | 3-5/16 | 3-3/16 | 6.000 ★ | 5-3/8 | 2-1/16 | 2-1/2 |
| 2-3/8 2-7/16 2-1/2 | 5-1/16 | 4 | 1 | 5-3/4 ★ | 5-5/16 | ---- | 3/4 | 5/8 | 5-3/4 | 5-11/16 ★ | 3-13/16 | 3-1/2 | 4-3/32 | 6.375 ★ | 5-11/16 | 2-5/16 | 2-3/4 |
| 2-5/8 2-11/16 2-3/4 2-13/16 2-7/8 2-15/16 3 | 5-3/4 | 4-7/16 | 1 | 6-1/2 ★ | 6-3/16 | ---- | 3/4 | 3/4 | 6-1/2 | 6-9/16 ★ | 4-7/16 | 4-3/16 | 4-1/2 | 7.313 ★ | 6-1/2 | 2-5/8 | 3-1/8 |
| 3-3/16 3-1/4 3-3/8 3-7/16 3-1/2 | 6-3/8 | 5 | 1-1/4 | 7-3/4 ★ | 7-5/8 | ---- | 3/4 | 3/4 | 5-3/8 | 8 ♥ | 5-1/16 | 4-7/8 | 5-9/16 | 8.625 ♦ | 8 | 2-15/16 | 3-7/16 |
| 3-11/16 3-3/4 3-7/8 3-15/16 4 | 8-1/2 | 6-1/4 | 1-1/2 | 9-1/4 ★ | 9 | ---- | 3/4 | 3/4 | 6-1/8 | 9-1/2 ♥ | 6-1/4 | 5-5/8 | 6-3/8 | 10.250 ♦ | 9-3/4 | 4-1/4 | 4-1/4 |
| 4-7/16 4-1/2 | 9-1/2 | 6-5/8 | 1-3/4 | 10-1/2 ★ | 10-1/16 | ---- | 3/4 | 3/4 | 6-3/4 | 10-5/8 ♥ | 7-1/4 | 6-3/16 | 6-11/16 | 11.125 ♦ | 10-1/16 | 4-3/4 | 4-3/4 |
| 4-15/16 5 | 10-1/2 | 7-3/8 | 2 | 11-3/4 ★ | 10-7/8 | ---- | 3/4 | 3/4 | 7-3/8 | 11-1/2 ♥ | 8 | 6-5/8 | 7-7/16 | 12.500 ♦ | 11-7/8 | 5-1/4 | 5-1/4 |
| 5-7/16 5-15/16 6 | 12 | 8-1/2 | 2-1/4 | 13-1/2 ★ | 13 | ---- | 3/4 | 3/4 | 8-1/4 | 14 ♥ | 9-1/2 | 7-7/8 | 8-9/16 | 14.750 * | 14-1/8 | 6 | 6 |
| 6-1/2 6-15/16 7 | 13-1/2 | 9-5/16 | ---- | 14-3/4 ★ | ---- | 9-13/16 | 1 | 1 | 8-7/8 | ---- | 11 | ---- | 10-7/8 | 18.000 * | 17 | 6-3/4 | 6-3/4 |
| 7-15/16 8 | 14-1/2 | 9-15/16 | ---- | 16-1/4 ★ | ---- | 10-1/16 | 1 | 1 | 9-5/8 | ---- | 12-1/2 | ---- | 12-1/2 | 20.125 * | 19-1/8 | 7-1/4 | 7-1/4 |
| 8-1/2 9 9-1/2 10 | 17 | 11-1/2 | ---- | 19-1/2 ★ | ---- | 11-3/4 | 1 | 1 | 11-1/4 | ---- | 14-5/8 | ---- | 14-1/2 | 24.000 * | 23-1/2 | 8-1/2 | 8-1/2 |
| 11 12 | 18-1/2 | 12-3/4 | ---- | 23 ★ | ---- | 13-1/4 | 1 | 1 | 13 | ---- | 17 | ---- | 17-5/8 | 28.500 * | 28 | 9-1/4 | 9-1/4 |

★ +.000 -.002"
♥ -.000 -.004"

♦ +.000 -.003"
* +.000 -.004"

| | | | |
|--------------------------------|----------------------------|----------------------------|-------------------------|
| FEATURES/BENEFITS PAGE B7-2 | HOW TO ORDER PAGE B7-23 | NOMENCLATURE PAGE B7-24 | SELECTION PAGE B7-25 |
|--------------------------------|----------------------------|----------------------------|-------------------------|

SELECTION/DIMENSIONS



Special Duty Hinged Cap Pillow Block - Inch

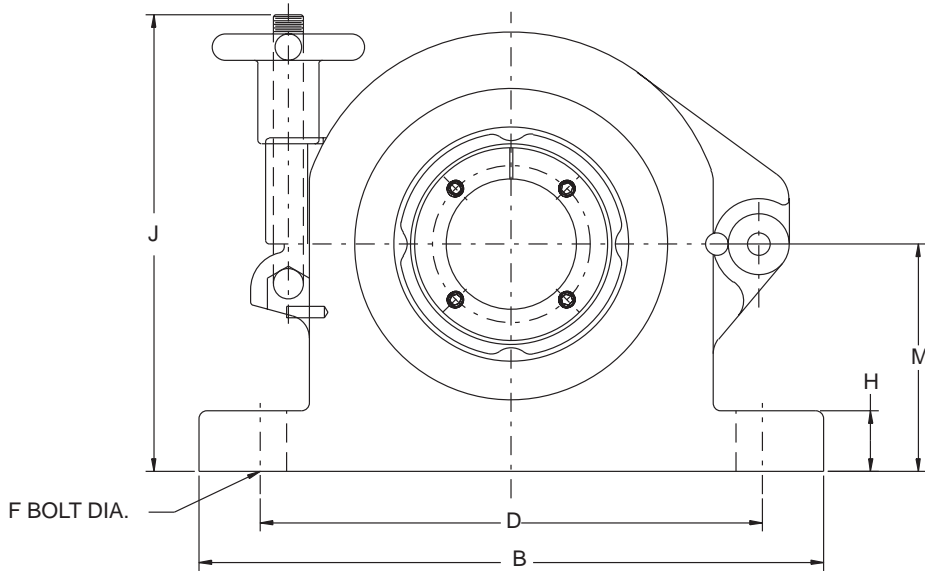
D-LOK

Type E Family

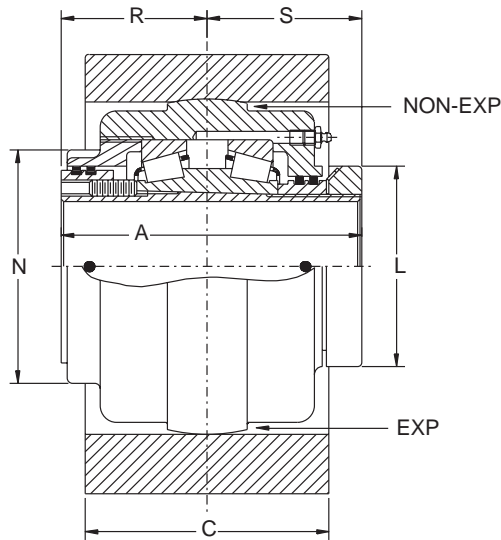
Specialty Tapered

S-2000

UNISPHERE II



NOTE: All sizes incorporate a 1/4 - 28 hydraulic grease fitting



| | | | |
|--------------------------------|----------------------------|----------------------------|-------------------------|
| FEATURES/BENEFITS PAGE B7-2 | HOW TO ORDER PAGE B7-23 | NOMENCLATURE PAGE B7-24 | SELECTION PAGE B7-25 |
|--------------------------------|----------------------------|----------------------------|-------------------------|

SELECTION/DIMENSIONS



Special Duty Hinged Cap Pillow Block - Inch

| PILLOW BLOCK ASSEMBLY - NON-EXPANSION* | | | |
|--|---------------|------------|---------------------|
| SHAFT SIZE INCHES # | PART NUMBER | PART NAME | WEIGHT LBS (APPROX) |
| 1-3/8 | 067054 | P2B-HC-106 | 20 |
| 1-7/16 | 067050 | P2B-HC-107 | 20 |
| 1-1/2 | 067056 | P2B-HC-108 | 20 |
| 1-11/16 | 067048 | P2B-HC-111 | 27 |
| 1-3/4 | 067042 | P2B-HC-112 | 27 |
| 1-15/16 | 067052 | P2B-HC-115 | 36 |
| 2 | 067060 | P2B-HC-200 | 36 |
| 2-3/16 | 067046 | P2B-HC-203 | 47 |
| 2-7/16 | 067044 | P2B-HC-207 | 60 |
| 2-15/16 | 067072 | P2B-HC-215 | 60 |

* Furnished Unless Otherwise Specified

Consult DODGE For Sizes Not Listed.

| PILLOW BLOCK ASSEMBLY - EXPANSION | | | |
|-----------------------------------|---------------|-------------|---------------------|
| SHAFT SIZE INCHES # | PART NUMBER | PART NAME | WEIGHT LBS (APPROX) |
| 1-3/8 | 067055 | P2B-HC-106E | 20 |
| 1-7/16 | 067051 | P2B-HC-107E | 20 |
| 1-1/2 | 067057 | P2B-HC-108E | 20 |
| 1-11/16 | 067049 | P2B-HC-111E | 27 |
| 1-3/4 | 067043 | P2B-HC-112E | 27 |
| 1-15/16 | 067053 | P2B-HC-115E | 36 |
| 2 | 067061 | P2B-HC-200E | 36 |
| 2-3/16 | 067047 | P2B-HC-203E | 47 |
| 2-7/16 | 067045 | P2B-HC-207E | 60 |
| 2-15/16 | 067073 | P2B-HC-215E | 60 |

Consult DODGE For Sizes Not Listed.

| PILLOW BLOCK HOUSING ONLY NON-EXPANSION | | | |
|--|----------------|------------|---------------------|
| SHAFT SIZE RANGE SYMBOL# | PART NUMBER | PART NAME | WEIGHT LBS (APPROX) |
| 106 TO 108 | 067007* | HS2-HC-406 | 13 |
| 111 TO 112 | 067100* | HS2-HC-444 | 16 |
| 115 TO 200 | 067031* | HS2-HC-481 | 23 |
| 203 | 067120* | HS2-HC-538 | 26 |
| 207 | 067135* | HS2-HC-569 | 40 |
| 215 | 067078* | HS2-HC-656 | 52 |

* Furnished Unless Otherwise Specified

Consult DODGE For Sizes Not Listed.

| PILLOW BLOCK HOUSING ONLY EXPANSION | | | |
|--|---------------|-------------|---------------------|
| SHAFT SIZE RANGE SYMBOL# | PART NUMBER | PART NAME | WEIGHT LBS (APPROX) |
| 106 TO 108 | 067016 | HS2-HC-406E | 13 |
| 111 TO 112 | 067103 | HS2-HC-444E | 16 |
| 115 TO 200 | 067034 | HS2-HC-481E | 23 |
| 203 | 067123 | HS2-HC-538E | 26 |
| 207 | 067138 | HS2-HC-569E | 40 |
| 215 | 067075 | HS2-HC-656E | 52 |

| SHAFT SIZE INCHES | A | B | C | D | F DIA BOLT | H | J | L | M | N | R | S |
|-------------------|--------|--------|-------|---------|------------|-------|--------|---------|-------|---------|---------|--------|
| 1-3/8 | | | | | | | | | | | | |
| 1-7/16 | 4-1/8 | 7-1/4 | 3 | 5-7/8 | 1/2 | 3/4 | 6-7/8 | 2-7/16 | 2-7/8 | 3-1/4 | 1-15/16 | 2-3/16 |
| 1-1/2 | | | | | | | | | | | | |
| 1-11/16 | 4-1/4 | 8-1/4 | 3-1/4 | 6-7/8 | 1/2 | 3/4 | 6-7/8 | 2-13/16 | 3-1/8 | 3-17/32 | 2 | 2-1/4 |
| 1-3/4 | | | | | | | | | | | | |
| 1-15/16 | 4-7/16 | 9-1/4 | 3-1/2 | 7-11/16 | 5/8 | 7/8 | 7-5/8 | 3-1/16 | 3-1/4 | 3-13/16 | 2-1/8 | 2-5/16 |
| 2 | | | | | | | | | | | | |
| 2-3/16 | 4-3/4 | 10-1/4 | 4 | 8-1/4 | 3/4 | 1 | 7-5/8 | 3-7/16 | 3-3/4 | 4-7/32 | 2-1/4 | 2-1/2 |
| 2-7/16 | 5-5/16 | 10-1/4 | 4-1/4 | 8-1/4 | 3/4 | 1 | 9-5/8 | 3-13/16 | 4-1/2 | 4-5/8 | 2-9/16 | 2-3/4 |
| 2-15/16 | 6-1/16 | 11-1/8 | 4-3/4 | 9-1/8 | 3/4 | 1-1/4 | 10-1/8 | 4-7/16 | 5 | 5-1/4 | 2-15/16 | 3-1/8 |

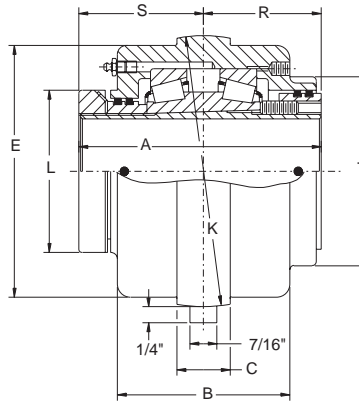
| | | | |
|--------------------------------|----------------------------|----------------------------|-------------------------|
| FEATURES/BENEFITS PAGE B7-2 | HOW TO ORDER PAGE B7-23 | NOMENCLATURE PAGE B7-24 | SELECTION PAGE B7-25 |
|--------------------------------|----------------------------|----------------------------|-------------------------|

SELECTION/DIMENSIONS



Special Duty Hinged Cap S-1 Units - Inch

NOTE: All sizes use a 1/4 - 28 fine thread hydraulic grease fitting



HINGED CAP PILLOW BLOCK S-1 UNITS

| SHAFT SIZE # | PART NUMBER | PART NAME | WEIGHT LBS APPROX |
|--------------|-------------|---------------|-------------------|
| 1-3/8 | 067149 | S1U406-HC-106 | 8 |
| 1-7/16 | 067151 | S1U406-HC-107 | 8 |
| 1-1/2 | 067152 | S1U406-HC-108 | 8 |
| 1-11/16 | 067153 | S1U444-HC-111 | 10 |
| 1-3/4 | 067154 | S1U444-HC-112 | 10 |
| 1-15/16 | 067155 | S1U481-HC-115 | 11 |
| 2 | 067156 | S1U481-HC-200 | 11 |
| 2-3/16 | 067157 | S1U538-HC-203 | 16 |
| 2-7/16 | 067159 | S1U569-HC-207 | 19 |
| 2-15/16 | 067164 | S1U656-HC-215 | 30 |

Consult DODGE For Sizes Not Listed

HINGED CAPS S-1 UNITS

| SHAFT SIZE INCHES | A | B | C | E | K | L | R | S | T |
|-------------------|--------|---------|-----|--------|---------|---------|---------|--------|---------|
| 1-3/8 | | | | | | | | | |
| 1-7/16 | 4-1/8 | 2-11/16 | 3/4 | 3-3/4 | 4-1/16 | 2-7/16 | 1-15/16 | 2-3/16 | 3-1/4 |
| 1-1/2 | | | | | | | | | |
| 1-11/16 | 4-1/4 | 3-1/8 | 3/4 | 4-1/8 | 4-7/16 | 2-13/16 | 2 | 2-1/4 | 3-17/32 |
| 1-3/4 | | | | | | | | | |
| 1-15/16 | 4-7/16 | 3-1/4 | 7/8 | 4-1/2 | 4-13/16 | 3-1/16 | 2-1/8 | 2-5/16 | 3-13/16 |
| 2 | | | | | | | | | |
| 2-3/16 | 4-3/4 | 3-1/2 | 7/8 | 5-1/16 | 5-3/8 | 3-7/16 | 2-1/4 | 2-1/2 | 4-7/32 |
| 2-7/16 | 5-5/16 | 4 | 1 | 5-5/16 | 5-11/16 | 3-13/16 | 2-9/16 | 2-3/4 | 4-5/8 |
| 2-15/16 | 6-1/16 | 4-7/16 | 1 | 6-3/16 | 6-9/16 | 4-7/16 | 2-15/16 | 3-1/8 | 5-1/4 |

FEATURES/BENEFITS
PAGE B7-2

HOW TO ORDER
PAGE B7-23

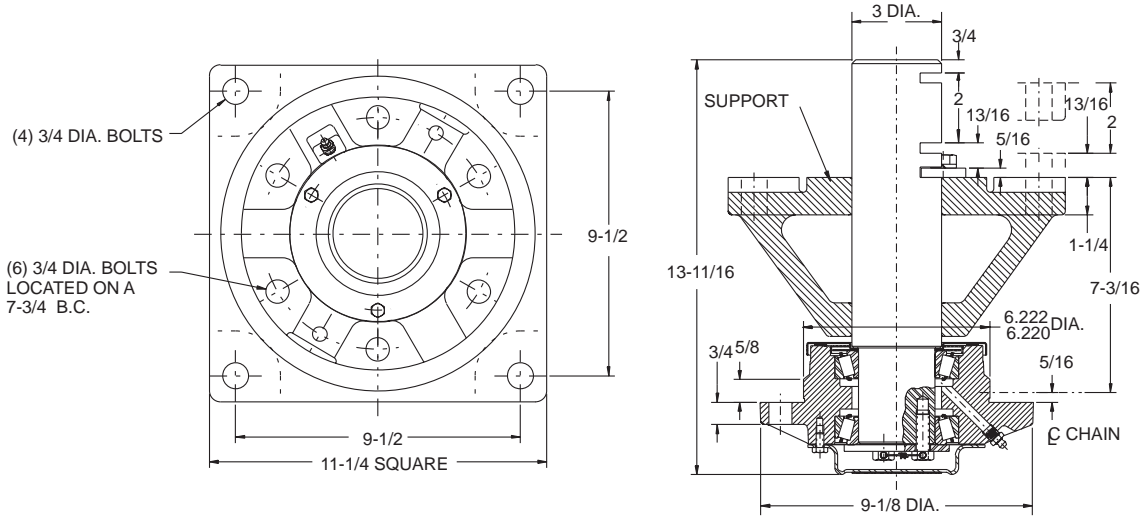
NOMENCLATURE
PAGE B7-24

SELECTION
PAGE B7-25

SELECTION/DIMENSIONS



Special Duty Traction Wheel Hub Assemblies - Inch



Traction Wheel Hub Assemblies are constructed to operate with wheels (sprockets) ranging from two to six feet in diameter. Commonly used in overhead chain conveyors, the units bolt directly to the supporting structure and can be adjusted vertically to three different operating positions.

The hub utilizes combination seals to protect the tapered roller bearings from dust and dirt and retain lubricant.

A high temperature (700°F) unit using sleeve bearings is available. See part number 062070

| TRACTION WHEEL HUB ASSEMBLIES | | | |
|-------------------------------|-------------|-----------|---------------------|
| SIZE # | PART NUMBER | PART NAME | WEIGHT LBS (APPROX) |
| #70 | 062040 | TRW-70 | 100 |
| #70LS* | 422604 | TRW-70LS | 80 |
| 75HT | 062070 | TRW-75HT | 100 |

| Recommended for Conveyors with Chain Nos. | Operating Characteristics | | |
|---|---------------------------|----------------------------|----------------------------|
| | RPM | Max. Resultant Load (lbs)▲ | L ₁₀ Hours Life |
| 348 | 10 | 3600 | ★ |
| 458 | 10 | 8000 | |
| 678 | 10 | 8000 | |

Consult DODGE For Sizes Not Listed.

▲ Based on 180- Chain Wrap

★ More Than 100,000 Hrs. Life

* (LS) Less Support - Support For Mounting To Structure Not Included With This Part

(HT) High Temperature Sleeve Bearing

| | | | |
|--------------------------------|----------------------------|----------------------------|-------------------------|
| FEATURES/BENEFITS PAGE B7-2 | HOW TO ORDER PAGE B7-23 | NOMENCLATURE PAGE B7-24 | SELECTION PAGE B7-25 |
|--------------------------------|----------------------------|----------------------------|-------------------------|

SPECIFICATION



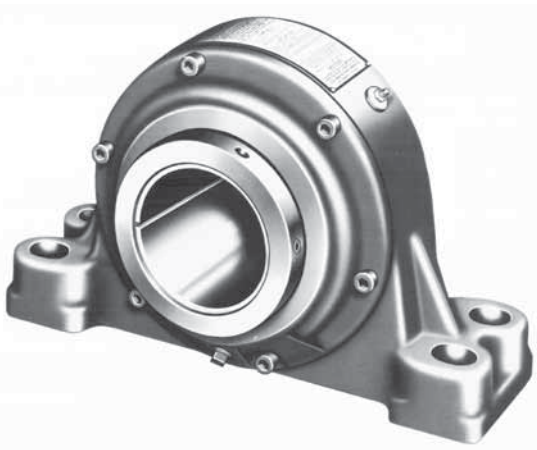
All Steel

The standard housing material for All steel mounted bearings is cast steel having a minimum tensile strength of 70,000 psi. The housing is vertically split to enable servicing of the bearing internal components. All Steel pillow blocks are available in both expansion and non expansion types.

All Steel mounted bearings have duplex tapered roller mounted to the shaft with a tapered adaptor sleeve

extending thru the complete length of the pillow block. The tapered roller bearings used in the All Steel mounted bearings all have case carburized inner races (cones), outer race (cup) and rollers.

All Steel mounted bearings have two piston ring seals running in grooves in the adapter nuts at each end of the pillow block to seal the bearings both on and off the shaft.



ALL STEEL PILLOW BLOCKS AVAILABLE IN 4-BOLT BASE 2-11/16" TO 5"



ALL STEEL CARTRIDGE UNITS AVAILABLE IN 2-11/16" TO 4-7/16"

FEATURES/BENEFITS
PAGE B7-2

HOW TO ORDER
PAGE B7-23

NOMENCLATURE
PAGE B7-24

SELECTION
PAGE B7-25

HOW TO ORDER



All Steel

There are two ways to specify DODGE Bearings. Most of the product offering have part numbers with listings shown throughout this catalog. Use of part numbers ensures accurate order processing.

When part numbers are not shown, the product may be specified by description or part name. This method is used when ordering units that include modifications or options. To order by description, use the nomenclature key shown on page and add any special instructions to the end of the description for options not covered by the nomenclature.

SPECIAL BEARING REQUIREMENTS AND SPECIAL LUBRICANTS

DODGE All Steel Bearings are factory assembled and pre-lubricated. For applications where extreme ambient temperatures, high speeds or high loads are expected,

a variety of specialty lubricants and adjustments are available. Standard grease provided is Mobilux EP2. Special lubricant options usually involve set-up charges and premiums. To order, specify type of lubricant required at the end of the product name or after the standard part number.

Example:

063360 except with Mobil Grease HTS #2 grease

and or

P4B-AS-215 except with Mobil Grease HTS #2 grease

OTHER SPECIAL BEARING REQUIREMENTS NOT LISTED

For applications requiring modifications not listed, we encourage you to contact our Customer Order Engineering Department for Bearings at 864-284-5700.

D-LOK

Type E Family

Specialty Tapered

S-2000

UNISPHERE II

| | | | |
|--------------------------------|----------------------------|----------------------------|-------------------------|
| FEATURES/BENEFITS PAGE B7-2 | HOW TO ORDER PAGE B7-23 | NOMENCLATURE PAGE B7-24 | SELECTION PAGE B7-25 |
|--------------------------------|----------------------------|----------------------------|-------------------------|

NOMENCLATURE



Specialty Tapered Products

P2B - C - 207 - E

**HOUSING STYLE
STYLE**

BEARING TYPE

SIZE

OTHER DATA

P2B = PILLOW BLOCK
2 BOLT, CAST IRON

P4B = PILLOW BLOCK
4 BOLT, CAST IRON

SP4B = PILLOW BLOCK
4 BOLT, CAST STEEL

F4B = FLANGE BEARING
4 BOLT, CAST IRON

B1U = B-1 UNIT, CAST IRON

DU = D UNIT, CAST IRON

S1U = S-1 UNIT, CAST IRON

CRT = CARTRIDGE UNIT
DUCTILE IRON END PLATES

NSTU = NARROW SLOT TAKE UP BEAR-
ING, CAST IRON

HNG = HANGER BEARING CAST IRON

C = TYPE C

SD = SPECIAL DUTY

HC = HINGED CAP

TRW - TRACTION WHEEL

AS = ALL STEEL

INCHES & 16TH
2 = 2 INCHES
07 = 7/16 INCHES
OR
207 = 2-7/16"

E = EXPANSION
TYPE BEARING
IF E DOES NOT
APPEAR AFTER
SEAL TYPE, THEN
BEARING IS NON-
EXPANSION TYPE

D-LOK

Type E Family

Specialty Tapered

S-2000

UNISPHERE II

| | | | |
|--------------------------------|----------------------------|-------------------------|------------------------------------|
| FEATURES/BENEFITS PAGE B7-2 | HOW TO ORDER PAGE B7-23 | SELECTION PAGE B7-25 | SELECTION/DIMENSIONS PAGE B7-32 |
|--------------------------------|----------------------------|-------------------------|------------------------------------|



All Steel

DODGE ALL-STEEL DOUBLE ROW TAPERED ROLLER BEARINGS

DODGE All-Steel Double Row Tapered Roller Bearings have the capacity to carry heavy radial loads and combined radial and thrust loads. The maximum recommended load which can be applied is limited by various components in the system such as bearing, housing, shaft, shaft attachment, speed and life requirements as listed in this catalog. DODGE tapered roller bearings have been applied successfully even when these limits have been exceeded under controlled operating conditions. Contact DODGE Application Engineering (864) 284-5700 for applications which exceed the recommendations of this catalog.

L₁₀ Hours Life - The life which may be expected from at least 90% of a given group of bearings operating under identical conditions.

$$L_{10} = \left(\frac{C_{90}}{P} \right)^{10/3} \times \left(\frac{1,500,000}{\text{RPM}} \right)$$

Where:

C_{90} = Dynamic Capacity (Table 11, pg. B7-54), lbs.

P = Equivalent Radial Load, lbs.

GENERAL

Heavy Service - For heavy shock loads, frequent shock loads, or severe vibrations, add up to 50% (according to severity of conditions) to the Equivalent Radial Load. Consult DODGE Application Engineering for additional selection assistance.

Thrust load values shown in the table below are recommended as a guide for general applications that will give adequate L₁₀ life for pillow blocks. The maximum thrust load should not exceed values shown on Table 12. Where substantial radial load is also present, it is advisable to calculate actual L₁₀ life to assure that it meets the requirements. The effectiveness of the shaft attachment to carry thrust load depends on proper tightening, shaft tolerance (see table below) and shaft deflections. Therefore, it is advisable to use auxiliary thrust carrying devices such as shaft shoulder, snap ring or a thrust collar to locate the bearing under thrust loads heavier than shown below, or where extreme reliability is desired.

| RPM RANGE | 20 - 200 | 201 - 2000 |
|-------------------------|------------|------------|
| RECOMMENDED THRUST LOAD | $C_{90}/4$ | $C_{90}/8$ |

The shaft tolerances recommended below are adequate for normal radial and radial/thrust load applications. Since the allowable load, especially at a low speed, is very large, the shaft should be checked to assure adequate shaft strength.

The magnitude and direction of both the thrust and radial load must be taken into account when selecting a housing. **When pillow blocks are utilized, heavy loads should be directed through the base. Where uplift loads are involved, see Table 15, pg. B7-55 for maximum values.** Where a load pulls the housing away from the mounting base, both the hold-down bolts and housing must be of adequate strength. Auxiliary load carrying devices such as shear bars are advisable for side or end loading of pillow blocks and radial load for flange units.

| SHAFT SIZE | TOLERANCE, INCHES |
|-------------|-------------------|
| 2-11/16 - 4 | +.000 TO -.004" |
| 4-7/16 - 5 | +.000 TO -.005" |

| | | | |
|--------------------------------|---------------------------|---------------------------|------------------------------------|
| FEATURES/BENEFITS PAGE B7-2 | HOW TO ORDER PAGE B7-6 | NOMENCLATURE PAGE B7-7 | SELECTION/DIMENSIONS PAGE B7-10 |
|--------------------------------|---------------------------|---------------------------|------------------------------------|

SELECTION



All Steel

SELECTING BEARINGS SUPPORTING RADIAL LOADS ONLY

1. Define L_{10} Life Hours desired.
2. Establish bearing radial load, F_R ($FR = P$ for Pure Radial Load Conditions).
The DODGE program BEST™* can be used to find application loads.
3. Establish RPM.

Using the easy selection Table 11, pg. B7-54 find, under the RPM column, the equivalent radial load that equals or is higher than the application radial load for the desired life. The shaft size on the far left will be the minimum shaft size that you can use for your application. If the desired life is different than the values shown on the chart, use alternate Method A shown below.

- Example:
1. L_{10} Life = 30,000 Hours
 2. Radial load = 3800 lbs.
 3. RPM = 1,000

At the intersection of the 1,000 RPM column and the 30,000 hours L_{10} life row, the equivalent radial load of 4475 lbs. Exceeds the 3800 lbs. Radial load for shaft sizes 2-11/16 -3". A bearing with bore ranging from 2-11/16 to 3" may be used for this application.

ALTERNATE METHOD A - SELECTING A BEARING FOR AN L_{10} LIFE VALUE NOT SHOWN IN THE EASY SELECTION CHART.

The L_{10} life equation can be rearranged so that the bearing dynamic capacity C is identified in terms of L_{10} , RPM and P.

$$C_{90} = \left(\frac{L_{10} \times \text{RPM}}{1,500,000} \right)^{0.3} \times P$$

(P = FR for Pure Radial Load Conditions)

Since the L_{10} , RPM, and P are known, solve for C_{90} . Select from the dynamic capacity column on Table 10, pg. B7-54 the C_{90} value equal to or greater than the C_{90} value just calculated. The bore size on the far left represents the bore size selection. Check that the application RPM does not exceed the MAX. RPM on Table 10. When selecting an L_{10} life of less than 30,000 hours, particular attention must be paid to shaft deflection and proper lubricant selection.

SELECTING BEARINGS SUPPORTING COMBINATION RADIAL AND THRUST LOADS

When a bearing supports both a radial load and a thrust load, the loading on the two rows is shared unequally depending on the ratio of thrust to radial load. The use of the X (radial factor) and Y (thrust factor) from Table 10 converts the applied thrust load and radial loads to an equivalent radial load having the same effect on the life of the bearing as a radial load of this magnitude.

★ The DODGE Bearing Evaluation and Selection Technique (BEST) is a menu driven computer program that calculates bearing loads, fatigue life and operating temperature for a two bearing shaft system based on user supplied input parameters. This interactive program is available at www.ptwizd.com under the Product Selection area.

| | | | |
|--------------------------------|---------------------------|---------------------------|------------------------------------|
| FEATURES/BENEFITS PAGE B7-2 | HOW TO ORDER PAGE B7-6 | NOMENCLATURE PAGE B7-7 | SELECTION/DIMENSIONS PAGE B7-10 |
|--------------------------------|---------------------------|---------------------------|------------------------------------|



All Steel

The equivalent radial load $P = XF_R + YF_A$

Where:

- P = Equivalent radial load, lbs.
- FR = Radial load, lbs. (see Table 10 for allowable slip fit maximum)
- F_A = Thrust (axial) load, lbs.
- e = Thrust load to radial load factor (Table 10)
- X = Radial load factor (Table 10)
- Y = Thrust load factor (Table 10)

To find X and Y, calculate F_A/F_R and compare to **e** for the selected bore size. Determine X and Y from Table 10, depending on whether F_A/F_R is equal to or less than **e**, or F_A/F_R is greater than **e**. Substitute all known values into the equivalent radial load equation. P (equivalent radial load) can be used in the life formula to determine L_{10} , or it can be compared to the allowable equivalent radial load ratings for the speed and hours life desired in the easy selection Table 11, pg. B7-54.

SELECTING BEARINGS SUPPORTING ONLY THRUST LOADS

Tapered Roller Bearings perform extremely well under pure thrust load applications. Use $P = YF_A$ for the equivalent radial load. The value of Y is obtained from Table 10, pg. B7-53 for $F_A/F_R > e$. Substitute Y and F_A into the equivalent load equation. P (equivalent radial load) can be used in the life formula to determine L_{10} or it can be compared to the allowable equivalent radial load ratings for the speed and hours life desired in the easy selection Table 11, pg. B7-54.

LUBRICATION

DODGE All Steel Double Row Tapered roller bearings are lubricated at the factory with Mobil Mobilux #2EP. Mobil Mobilux #2EP grease is superior industrial grease using a lithium hydroxystearate thickener and highly refined base oil. This grease will adequately handle low and medium speeds with low and medium loads at normal temperatures as defined on Table 14, pg. B7-55. For very low and high speeds, for heavy loads and for low and high temperatures, special greases must be used. Contact DODGE Application Engineering (864) 281-2195. DODGE engineers will recommend bearings and lubricants for the above unusual conditions. DODGE also has the expertise to custom design and build special bearings for your needs. The only maintenance requirement for DODGE Tapered roller bearings is periodic relubrication at regular intervals as outlined in the appropriate instruction manuals.

INSTALLATION AND MAINTENANCE

In nearly all applications good design practice requires two bearings supporting the shaft. In cases where three or more bearings are installed, unless precautions are taken to line the bearings up, both vertically and horizontally, it is possible to induce heavy loads. In the case of two bearings, alignment is not as critical, especially with DODGE All Steel Double Row Tapered Roller Bearings. All Steel bearings are designed to allow as much as 1° to 2° of static misalignment depending on bore size. To ensure good alignment, mounting surfaces must be checked for flatness and must lie in the same plane. When tightening base bolts and cap bolts, each bolt should be alternately tightened in incremental torque values until full torque is achieved. Shimming may be required to minimize misalignment.

| | | | |
|--------------------------------|---------------------------|---------------------------|------------------------------------|
| FEATURES/BENEFITS PAGE B7-2 | HOW TO ORDER PAGE B7-6 | NOMENCLATURE PAGE B7-7 | SELECTION/DIMENSIONS PAGE B7-10 |
|--------------------------------|---------------------------|---------------------------|------------------------------------|



All Steel

Table 10: All Steel Double Row Tapered Roller Bearings Radial and Thrust Factors

| SHAFT SIZE | e | FA/FR ≤ e | | FA/FR > e | | DYNAMIC CAPACITY C ₉₀ * | | MAXIMUM RPM |
|----------------|------|-----------|------|-----------|------|------------------------------------|---------|-------------|
| | | X | Y | X | Y | LBS. | NEWTONS | |
| 2-11/16 - 3 | 0.43 | 0.87 | 2.02 | 0.70 | 2.44 | 11,000 | 48,945 | 1,880 |
| 3-1/4 - 3-1/2 | 0.49 | 0.87 | 1.77 | 0.70 | 2.14 | 21,000 | 93,441 | 1,520 |
| 3-15/16 - 4 | 0.34 | 0.87 | 2.53 | 0.70 | 3.06 | 23,000 | 102,340 | 1,340 |
| 4-7/16 - 4-1/2 | 0.36 | 0.87 | 2.45 | 0.70 | 2.96 | 34,500 | 153,510 | 1,210 |
| 4-15/16 - 5 | 0.34 | 0.87 | 2.53 | 0.70 | 3.06 | 35,400 | 157,515 | 1,070 |

COMPARING SPHERICAL TO TAPER ROLLER BEARING

The dynamic capacity C (spherical) and C₉₀ (taper) are not to the same base. To compare basic dynamic capacities, multiply C x .259 and compare to C₉₀.

★ C₉₀- Dynamic capacity based on a rated life of 90 million revolutions or 3000 hours at 500 RPM

Table 11: Easy Selection Table Dodge All-steel Double Row Tapered Roller Bearings

| Shaft Size | Hours Life | Allowable Equivalent Radial Load Rating (Lbs.) at Various Revolutions Per Minute * | | | | | | | | | | | | | | | |
|------------|---------------|--|--------|--------|--------|--------|--------|--------|--------|--------|--------|--------|--------|--------|--------|--------|--------|
| | | 50 | 100 | 250 | 500 | 750 | 1000 | 1070 | 1210 | 1340 | 1520 | 1880 | 2180 | 2300 | 2700 | 2900 | 3250 |
| 2-11/16 | 5,000 | 18,829 | 15,294 | 11,618 | 9,437 | 8,356 | 7,665 | 7,511 | 7,239 | 7,021 | 6,760 | 6,343 | 6,067 | 5,971 | 5,690 | 5,569 | 5,382 |
| | 10,000 | 15,294 | 12,423 | 9,437 | 7,665 | 6,787 | 6,226 | 6,101 | 5,880 | 5,703 | 5,491 | 5,152 | 4,928 | 4,850 | 4,622 | 4,524 | 4,372 |
| | 30,000 | 11,000 | 8,935 | 6,787 | 5,513 | 4,882 | 4,478 | 4,388 | 4,229 | 4,102 | 3,949 | 3,705 | 3,544 | 3,488 | 3,324 | 3,254 | 3,144 |
| | 50,000 | 9,437 | 7,665 | 5,823 | 4,730 | 4,188 | 3,842 | 3,765 | 3,628 | 3,519 | 3,388 | 3,179 | 3,041 | 2,992 | 2,852 | 2,791 | 2,698 |
| 3 | 100,000 | 7,665 | 6,226 | 4,730 | 3,842 | 3,402 | 3,120 | 3,058 | 2,947 | 2,858 | 2,752 | 2,582 | 2,470 | 2,431 | 2,316 | 2,267 | 2,191 |
| | 5,000 | 35,947 | 29,198 | 22,181 | 18,016 | 15,953 | 14,634 | 14,340 | 13,820 | 13,404 | 12,906 | 12,109 | 11,583 | 11,398 | 10,863 | 10,633 | 10,275 |
| | 10,000 | 29,198 | 23,716 | 18,016 | 14,634 | 12,958 | 11,886 | 11,647 | 11,226 | 10,887 | 10,483 | 9,836 | 9,408 | 9,258 | 8,823 | 8,636 | 8,346 |
| | 30,000 | 21,000 | 17,057 | 12,958 | 10,525 | 9,319 | 8,549 | 8,377 | 8,074 | 7,830 | 7,540 | 7,074 | 6,767 | 6,659 | 6,346 | 6,211 | 6,003 |
| 3-1/4 | 50,000 | 18,016 | 14,634 | 11,117 | 9,030 | 7,995 | 7,334 | 7,187 | 6,927 | 6,718 | 6,468 | 6,069 | 5,805 | 5,713 | 5,444 | 5,329 | 5,150 |
| | 100,000 | 14,634 | 11,886 | 9,030 | 7,334 | 6,494 | 5,957 | 5,838 | 5,626 | 5,457 | 5,254 | 4,929 | 4,715 | 4,640 | 4,422 | 4,328 | 4,183 |
| | 5,000 | 39,371 | 31,979 | 24,293 | 19,732 | 17,472 | 16,027 | 15,705 | 15,137 | 14,680 | 14,135 | 13,262 | 12,686 | 12,484 | 11,897 | 11,645 | 11,254 |
| | 10,000 | 31,979 | 25,975 | 19,732 | 16,027 | 14,192 | 13,018 | 12,757 | 12,295 | 11,924 | 11,482 | 10,772 | 10,304 | 10,140 | 9,664 | 9,459 | 9,141 |
| 3-15/16 | 30,000 | 23,000 | 18,682 | 14,192 | 11,527 | 10,207 | 9,363 | 9,175 | 8,843 | 8,576 | 8,258 | 7,748 | 7,411 | 7,293 | 6,950 | 6,803 | 6,574 |
| | 50,000 | 19,732 | 16,027 | 12,175 | 9,889 | 8,757 | 8,033 | 7,871 | 7,586 | 7,358 | 7,085 | 6,647 | 6,358 | 6,257 | 5,963 | 5,836 | 5,640 |
| | 100,000 | 16,027 | 13,018 | 9,889 | 8,033 | 7,113 | 6,525 | 6,394 | 6,162 | 5,976 | 5,754 | 5,399 | 5,164 | 5,082 | 4,843 | 4,741 | 4,581 |
| | 5,000 | 59,056 | 47,968 | 36,440 | 29,598 | 26,208 | 24,041 | 23,558 | 22,705 | 22,020 | 21,203 | 19,893 | 19,029 | 18,726 | 17,846 | 17,468 | 16,881 |
| 4-7/16 | 10,000 | 47,968 | 38,962 | 29,598 | 24,041 | 21,288 | 19,527 | 19,135 | 18,442 | 17,886 | 17,222 | 16,158 | 15,456 | 15,210 | 14,496 | 14,188 | 13,711 |
| | 30,000 | 34,500 | 28,023 | 21,288 | 17,291 | 15,311 | 14,045 | 13,762 | 13,264 | 12,864 | 12,387 | 11,622 | 11,117 | 10,939 | 10,426 | 10,204 | 9,862 |
| | 50,000 | 29,598 | 24,041 | 18,263 | 14,834 | 13,135 | 12,049 | 11,807 | 11,379 | 11,036 | 10,627 | 9,970 | 9,537 | 9,385 | 8,944 | 8,755 | 8,460 |
| | 100,000 | 24,041 | 19,527 | 14,834 | 12,049 | 10,669 | 9,787 | 9,590 | 9,243 | 8,964 | 8,632 | 8,098 | 7,747 | 7,623 | 7,265 | 7,111 | 6,872 |
| 4-1/2 | 5,000 | 60,597 | 49,220 | 37,390 | 30,370 | 26,892 | 24,668 | 24,173 | 23,297 | 22,595 | 21,756 | 20,412 | 19,526 | 19,214 | 18,312 | 17,923 | 17,321 |
| | 10,000 | 49,220 | 39,979 | 30,370 | 24,668 | 21,843 | 20,037 | 19,634 | 18,923 | 18,353 | 17,672 | 16,580 | 15,860 | 15,607 | 14,874 | 14,558 | 14,069 |
| | 30,000 | 35,400 | 28,754 | 21,843 | 17,742 | 15,710 | 14,411 | 14,121 | 13,610 | 13,200 | 12,710 | 11,925 | 11,407 | 11,225 | 10,698 | 10,471 | 10,119 |
| | 50,000 | 30,370 | 24,668 | 18,739 | 15,221 | 13,478 | 12,363 | 12,115 | 11,676 | 11,324 | 10,904 | 10,230 | 9,786 | 9,630 | 9,178 | 8,983 | 8,681 |
| 100,000 | 24,668 | 20,037 | 15,221 | 12,363 | 10,947 | 10,042 | 9,840 | 9,484 | 9,198 | 8,857 | 8,310 | 7,949 | 7,822 | 7,455 | 7,296 | 7,051 | |

| | | | |
|--------------------------------|---------------------------|---------------------------|------------------------------------|
| FEATURES/BENEFITS PAGE B7-2 | HOW TO ORDER PAGE B7-6 | NOMENCLATURE PAGE B7-7 | SELECTION/DIMENSIONS PAGE B7-10 |
|--------------------------------|---------------------------|---------------------------|------------------------------------|



All Steel

Table 12: All-steel Pillow Block Housing Permissible Thrust Load, Lbs.

| BORE SIZE, INCHES | MAX. THRUST (LBS.) |
|-------------------|--------------------|
| 2-11/16 - 3 | 9300 |
| 3-1/4 - 3-1/2 | 13800 |
| 3-15/16 - 4 | 13300 |
| 4-7/16 - 4-1/2 | 10400 |
| 4-15/16 - 5 | 14000 |

Table 13: All-steel Pillow Block And Cartridge Total Expansion Capability

| BORE SIZE, INCHES | EXPANSION (INCHES) |
|-------------------|--------------------|
| 2-11/16 - 3 | 3/8 |
| 3-1/4 - 3-1/2 | 3/8 |
| 3-15/16 - 4 | 3/8 |
| 4-7/16 - 4-1/2 | 3/8 |
| 4-15/16 - 5 | 25/64 |

Table 14: Definition Of Operating Conditions For Tapered Roller Bearings

| | |
|-----------------------|----------------------------------|
| LOW SPEED | UP TO 20% OF MAX. RPM (TABLE 10) |
| MEDIUM SPEED | OVER 20% TO 80% OF MAX. RPM |
| HIGH SPEED | OVER 80% OF MAX. RPM |
| LIGHT LOAD | UP TO 30% OF C90 (TABLE 10) |
| NORMAL LOAD | OVER 30% TO 70% OF C90 |
| HEAVY LOAD | OVER 70% OF C90 |
| LOW TEMPERATURE | -100°F TO 20°F |
| MEDIUM TEMPERATURE | OVER 20°F TO 200°F |
| HIGH TEMPERATURE | OVER 200°F TO 300°F |
| VERY HIGH TEMPERATURE | OVER 300°F TO 400°F |

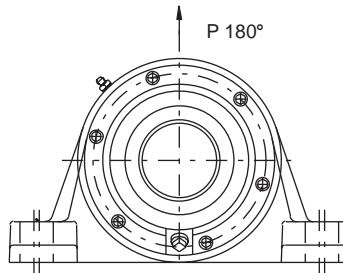


Table 15: Housing Ratings All-steel Pillow Block

| SHAFT SIZE, (INCHES) | HOUSING STRENGTH, LBS. |
|----------------------|------------------------|
| | 180° |
| 2-11/16 - 3 | 30000 |
| 3-1/4 - 3-1/2 | 32000 |
| 3-15/16 - 4 | 34000 |
| 4-7/16 - 4-1/2 | 39000 |
| 4-15/16 - 5 | 39000 |

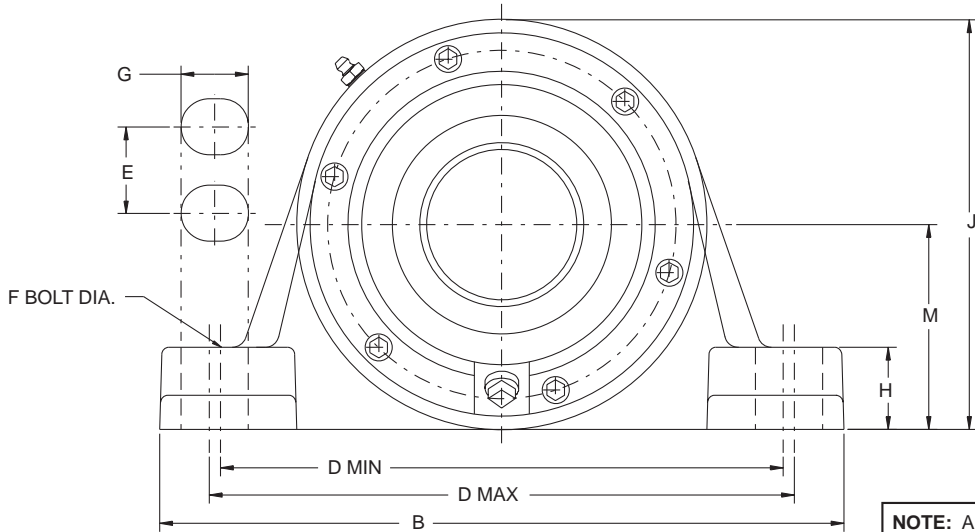
| | | | |
|--------------------------------|---------------------------|---------------------------|------------------------------------|
| FEATURES/BENEFITS PAGE B7-2 | HOW TO ORDER PAGE B7-6 | NOMENCLATURE PAGE B7-7 | SELECTION/DIMENSIONS PAGE B7-10 |
|--------------------------------|---------------------------|---------------------------|------------------------------------|



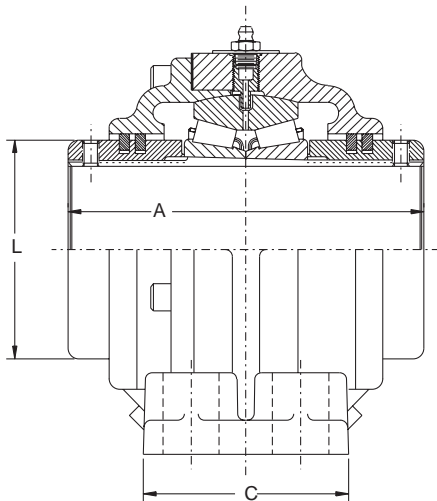
SELECTION/DIMENSIONS

DODGE®

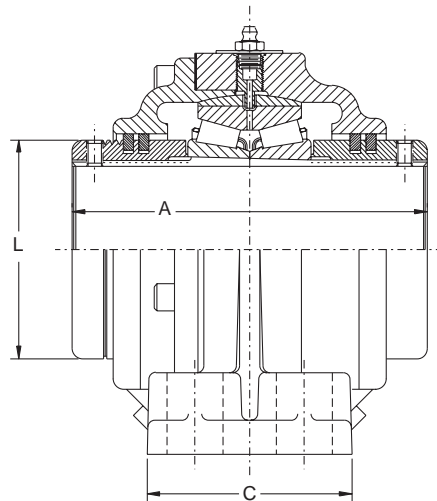
All Steel Pillow Block - Inch 4-BOLT BASE



NOTE: All sizes use a 1/8 - 27 NPT hydraulic grease fitting



NON-EXPANSION CONSTRUCTION



EXPANSION CONSTRUCTION

FEATURES/BENEFITS
PAGE B7-2

HOW TO ORDER
PAGE B7-6

NOMENCLATURE
PAGE B7-7

SELECTION/DIMENSIONS
PAGE B7-10

SELECTION/DIMENSIONS



All Steel Pillow Block - Inch 4-BOLT BASE

| CAST STEEL NON-EXPANSION* | | | |
|---------------------------|---------------|-------------|-------------------|
| SHAFT SIZE INCHES # | PART NUMBER | PART NAME | WEIGHT LBS APPROX |
| 2-11/16 | 063359 | SP4B-AS-211 | 45 |
| 2-15/16 | 063360 | SP4B-AS-215 | 42 |
| 3 | 063361 | SP4B-AS-300 | 41 |
| 3-7/16 | 063362 | SP4B-AS-307 | 77 |
| 3-1/2 | 063363 | SP4B-AS-308 | 77 |
| 3-15/16 | 063364 | SP4B-AS-315 | 95 |
| 4 | 063365 | SP4B-AS-400 | 93 |
| 4-7/16 | 063366 | SP4B-AS-407 | 149 |
| 4-15/16 | 063368 | SP4B-AS-415 | 190 |
| 5 | 063369 | SP4B-AS-500 | 180 |

* Furnished Unless Otherwise Specified

Consult DODGE For Sizes Not Listed.

| CAST STEEL EXPANSION | | | |
|----------------------|---------------|--------------|-------------------|
| SHAFT SIZE INCHES # | PART NUMBER | PART NAME | WEIGHT LBS APPROX |
| 2-11/16 | 063389 | SP4B-AS-211E | 45 |
| 2-15/16 | 063390 | SP4B-AS-215E | 42 |
| 3 | 063411 | SP4B-AS-300E | 41 |
| 3-7/16 | 063392 | SP4B-AS-307E | 77 |
| 3-1/2 | 063393 | SP4B-AS-308E | 77 |
| 3-15/16 | 063394 | SP4B-AS-315E | 95 |
| 4 | 063395 | SP4B-AS-400E | 93 |
| 4-7/16 | 063396 | SP4B-AS-407E | 149 |
| 4-15/16 | 063398 | SP4B-AS-415E | 190 |
| 5 | 063399 | SP4B-AS-500E | 180 |

Consult DODGE For Sizes Not Listed.

| SHAFT SIZE INCHES | A | B | C | D | | E | F BOLT DIA. | G | H | J | L | M | EXP* |
|-------------------|-------|--------|-------|----------|----------|-------|-------------|--------|-------|--------|---------|---------|-------|
| | | | | MIN. | MAX. | | | | | | | | |
| 2-11/16 | | | | | | | | | | | | | |
| 2-15/16 | 6-1/2 | 12-1/2 | 3-3/4 | 10-5/16 | 10-11/16 | 2 | 5/8 | 15/16 | 1-5/8 | 7-1/2 | 4 | 3-3/4 | 3/8 |
| 3 | | | | | | | | | | | | | |
| 3-7/16 | 7-3/4 | 14-1/2 | 4-1/2 | 11-7/8 | 12-5/8 | 2-3/8 | 3/4 | 1-1/8 | 1-7/8 | 9 | 4-11/16 | 4-1/2 | 3/8 |
| 3-1/2 | | | | | | | | | | | | | |
| 3-15/16 | 8 | 15-3/4 | 4-3/4 | 13-1/8 | 13-7/8 | 2-3/4 | 3/4 | 1-1/8 | 2 | 9-3/4 | 5-7/16 | 4-15/16 | 3/8 |
| 4 | | | | | | | | | | | | | |
| 4-7/16 | 9-3/4 | 18-1/4 | 5-1/4 | 14-13/16 | 15-11/16 | 3-1/4 | 7/8 | 1-5/16 | 2-1/4 | 11-3/8 | 6-1/16 | 5-3/4 | 3/8 |
| 4-15/16 | 9-3/4 | 19-1/2 | 5-7/8 | 16 | 17 | 3-3/8 | 1 | 1-1/2 | 2-1/2 | 12 | 6-13/16 | 6 | 25/64 |
| 5 | | | | | | | | | | | | | |

* Total Expansion for Expansion Bearing Only

| | | | |
|--------------------------------|---------------------------|---------------------------|------------------------------------|
| FEATURES/BENEFITS PAGE B7-2 | HOW TO ORDER PAGE B7-6 | NOMENCLATURE PAGE B7-7 | SELECTION/DIMENSIONS PAGE B7-10 |
|--------------------------------|---------------------------|---------------------------|------------------------------------|

SELECTION/DIMENSIONS



All Steel Cartridge Units - Inch

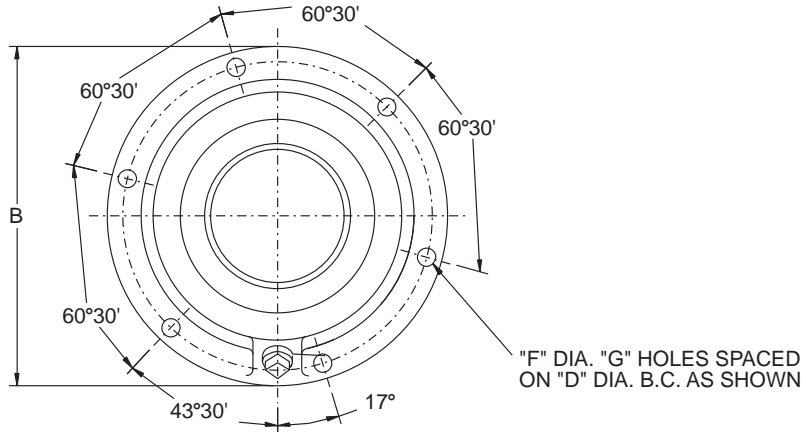
D-LOK

Type E Family

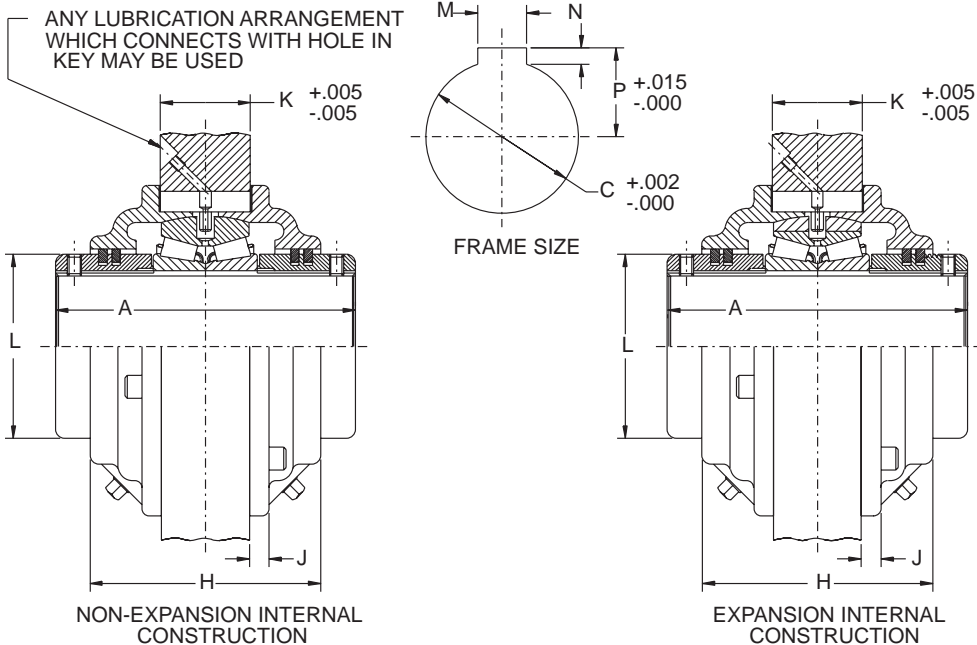
Specialty Tapered

S-2000

UNISPHERE II



2-11/16" THRU 4-7/16" EXTERNAL CONSTRUCTION



| | | | |
|--------------------------------|---------------------------|---------------------------|------------------------------------|
| FEATURES/BENEFITS PAGE B7-2 | HOW TO ORDER PAGE B7-6 | NOMENCLATURE PAGE B7-7 | SELECTION/DIMENSIONS PAGE B7-10 |
|--------------------------------|---------------------------|---------------------------|------------------------------------|

SELECTION/DIMENSIONS



All Steel Cartridge Units - Inch

| CAST STEEL NON-EXPANSION* | | | |
|---------------------------|---------------|------------|-------------------|
| SHAFT SIZE INCHES # | PART NUMBER | PART NAME | WEIGHT LBS APPROX |
| 2-11/16 | 063420 | CRT-AS-211 | 30 |
| 2-15/16 | 063421 | CRT-AS-215 | 30 |
| 3 | 063422 | CRT-AS-300 | 30 |
| 3-7/16 | 063424 | CRT-AS-307 | 55 |
| 3-15/16 | 063426 | CRT-AS-315 | 65 |
| 4-7/16 | 063429 | CRT-AS-407 | 110 |

* Furnished Unless Otherwise Specified

Consult DODGE For Sizes Not Listed.

| CAST STEEL EXPANSION | | | |
|----------------------|---------------|-------------|-------------------|
| SHAFT SIZE INCHES # | PART NUMBER | PART NAME | WEIGHT LBS APPROX |
| 2-11/16 | 063450 | CRT-AS-211E | 30 |
| 2-15/16 | 063451 | CRT-AS-215E | 30 |
| 3 | 063452 | CRT-AS-300E | 30 |
| 3-7/16 | 063454 | CRT-AS-307E | 55 |
| 3-15/16 | 063456 | CRT-AS-315E | 65 |
| 4-7/16 | 063459 | CRT-AS-407E | 110 |

Consult DODGE For Sizes Not Listed.

| SHAFT SIZE INCHES | A | B | C | D | F BOLT DIA. | G | H | J | K | L | M | N | P | EXP* |
|-------------------|-------|----------|-------|-------|-------------|---|---------|------|--------|---------|---|-----|-------|------|
| 2-11/16 | | | | | | | | | | | | | | 3/8 |
| 2-15/16 | 6-1/2 | 7-1/8 | 5.697 | 6-3/8 | 3/8 | 6 | 4-7/8 | 3/8 | 2-3/16 | 4 | 1 | 5/8 | 3.429 | |
| 3 | | | | | | | | | | | | | | |
| 3-7/16 | 7-3/4 | 8-3/4 | 7.197 | 7-7/8 | 7/16 | 6 | 6-1/32 | 7/16 | 2-3/4 | 4-11/16 | 1 | 5/8 | 4.189 | |
| 3-15/16 | 8 | 9-1/2 | 7.885 | 8-5/8 | 7/16 | 6 | 5-31/32 | 7/16 | 3-1/8 | 5-7/16 | 1 | 5/8 | 4.536 | |
| 4-7/16 | 9-1/4 | 10-15/16 | 9.072 | 9-7/8 | 1/2 | 6 | 7 | 1/2 | 3-1/2 | 6-1/16 | 1 | 5/8 | 5.133 | |

* Total Expansion for Expansion Bearing Only

| | | | |
|--------------------------------|---------------------------|---------------------------|------------------------------------|
| FEATURES/BENEFITS PAGE B7-2 | HOW TO ORDER PAGE B7-6 | NOMENCLATURE PAGE B7-7 | SELECTION/DIMENSIONS PAGE B7-10 |
|--------------------------------|---------------------------|---------------------------|------------------------------------|

NOTES



D-LOK

Type E Family

Specialty Tapered

S-2000

UNISPHERE II

| | | | |
|--------------------------------|---------------------------|---------------------------|------------------------------------|
| FEATURES/BENEFITS PAGE B7-2 | HOW TO ORDER PAGE B7-6 | NOMENCLATURE PAGE B7-7 | SELECTION/DIMENSIONS PAGE B7-10 |
|--------------------------------|---------------------------|---------------------------|------------------------------------|

CONTENTS



S-2000

| | |
|---------------------------|----------|
| Features / Benefits | B8-3 |
| Specifications | B8-5 |
| How to Order | B8-6 |
| Nomenclature | B8-7 |
| Selection | B8-9 |
| Dimensions | |
| Pillow Block | B8-18 |
| Flanges | B8-26 |
| Piloted Flange | B8-32 |
| Wide-Slot Take-Ups | B8-36 |
| TP Take-Up | B8-40 |
| Bearing Insert | B8-42 |
| End Cap | B8-44 |
| Part Number Index | INDEX-1 |
| Key Word Index | INDEX-34 |

D-LOK

Type E Family

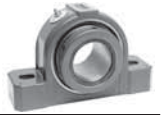
Speciality Tapered

S-2000

UNISPHERE II

NOTES

DODGE[®]



D-LOK

Type E Family

Specialty Tapered

S-2000

UNISPHERE II



S-2000

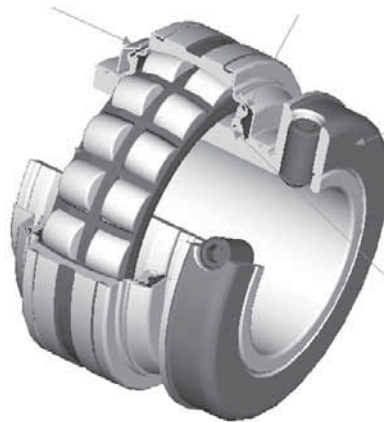
Longer Bearing Life By Design . . .

High capacity double row spherical rollers offer up to 250% more L_{10} life than competitive brands

- Larger rollers
- More contact area
- Case-carburized inner rings resist cracking
- Static or dynamic misalignment up to $\pm 1^\circ$
- Expansion capability up to 3/8" (9.5mm)

Corrosion Resistant
Flinger Blocks
Contaminants

Patented Triple Lip Nitrile
Seal Resists Heat and
Chemical Breakdown



Ease In Mounting
And Dismounting
Achieved Through
Locking Collar

Seal/Land Maintains
Full Seal Contact
When Misaligned

Installation Savings . . .

- Factory lubed, sealed and adjusted, ready to slip onto the shaft
- 65° Springlok collar mount for increased holding power versus 90° or 120°
- Field convertible from non-expansion to expansion and expansion to non-expansion
- Elongated pillow block bolt holes to facilitate mounting

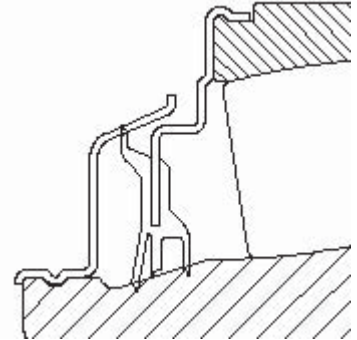


S-2000

S-2000 Bearings Offer Patented Seal Options To Maximize Bearing Life . . .

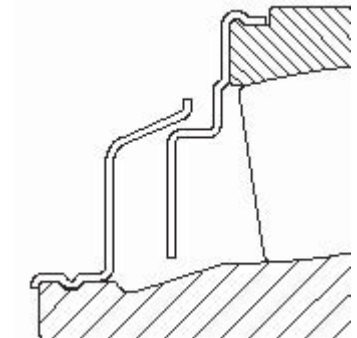
TRIDENT™ Seals for low to medium speed

- Face rubbing triple lip seal
- Flinger to shield seal and bearing from contamination/damage
- Seal/land positive contact up to $\pm 1^\circ$ degree of misalignment
- Patented design



Labyrinth seals for higher speeds

- High speed for relatively clean environments
- Flinger shields seal and bearing from contamination/damage
- Seal operates with up to $\pm 1^\circ$ degree of misalignment
- Patented design



SPECIFICATION



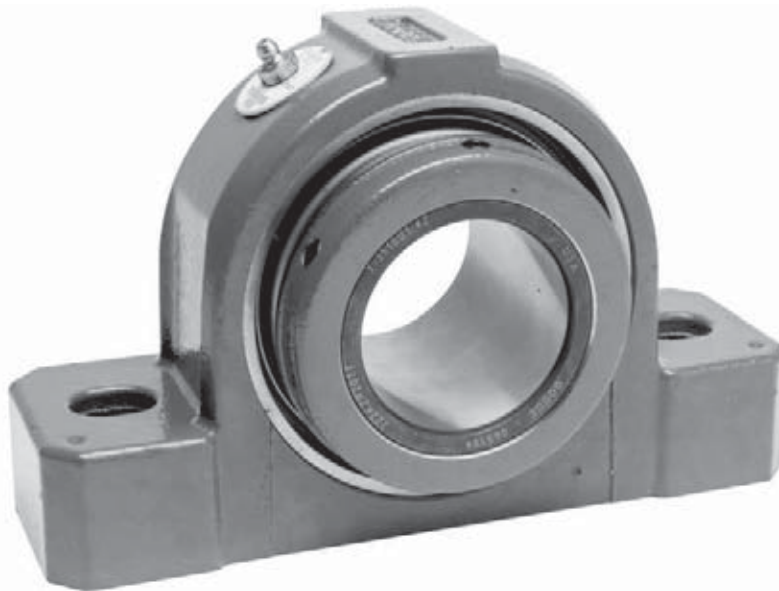
S-2000

INCH

DODGE Spherical Bearings, including S-2000 bearings, are general purpose, high-capacity, double-row spherical roller bearings. All are mounted in single piece precision machined housings. Bearings are mounted to shafts by means of set screw collars, with 65 degree set screw spacing for maximum clamping force.

Housings are available in a variety of standard configurations, including pillow blocks, flanges, piloted flanges and take-up bearings. TRIDENT triple lip contact seal and Labyrinth seals are available on S-2000 bearings.

ASTM A48 Class 30 cast iron is the standard material used in S-2000 housings. Housing designs are available for survival in extreme harsh environments, through the use of special finishes and stainless hardware.



D-LOK

Type E Family

Speciality Tapered

S-2000

UNISPHERE II

| | | | |
|--------------------------------|---------------------------|-------------------------|----------------------------------|
| FEATURES/BENEFITS PAGE B7-3 | HOW TO ORDER PAGE B7-6 | DIMENSION PAGE B8-18 | INTERCHANGE CHARTS PAGE B8-46 |
|--------------------------------|---------------------------|-------------------------|----------------------------------|

HOW TO ORDER



S-2000

There are two ways to specify DODGE Bearings. Most of the product offerings have part numbers with listings shown throughout this catalog. Use of part numbers ensures accurate order processing.

When part numbers are not shown, the product may be specified by description or part name. This method is used when ordering units that include modifications or options. To order by description, use the nomenclature key shown on page B8-7 and add any special instructions to the end of the description for options not covered by the nomenclature.

DODGE Spherical Bearings are factory adjusted and pre-lubricated. For applications where extreme ambient temperatures, high speeds, or high loads are expected, a variety of specialty lubricants is available. Standard

grease provided is lithium complex base Mobilith AW2. High temperature greases available include Mobil HTS #2 and Mobilith SHC460. Other special lubricants are available upon request. Special lubricant options usually involve set-up charges, minimum quantities and list price premiums. To order, specify type of lubricant required at the end of the product name or after the standard part number.

Example: 070320 except with Mobilith SHC 460 grease
or
P2BS2108L except with Mobilith SHC 460 grease

For applications requiring modifications not listed, we encourage you to contact our Application Engineering Department for Bearings at 864-284-5700.

D-LOK

Type E Family

Specialty Tapered

S-2000

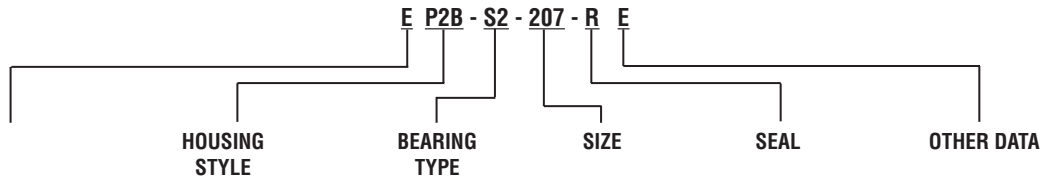
UNISPHERE II

| | | | |
|--------------------------------|---------------------------|-------------------------|----------------------------------|
| FEATURES/BENEFITS PAGE B8-3 | NOMENCLATURE PAGE B8-7 | DIMENSION PAGE B8-18 | INTERCHANGE CHARTS PAGE B8-46 |
|--------------------------------|---------------------------|-------------------------|----------------------------------|

NOMENCLATURE



S-2000



“E” prefix denotes Type E dimensioned housing with S2000 spherical roller bearing insert *

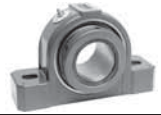
| | HOUSING STYLE | BEARING TYPE | SIZE | SEAL | OTHER DATA |
|--------|---|--------------|--|---|---|
| P2B = | Pillow Block 2 Bolt Base, Cast Iron | S2 = S-2000 | Inches and 16th 2 = 2” 07 = 7/16” 207 = 2-7/16” | R = TRIDENT Triple Lip Rub- bing Seal L = Labyrinth Metallic Seal | E = Expansion Type Bearing - If “E” Does Not Ap- pear, Bearing Is Non Expansion Type |
| P4B = | Pillow Block 4 Bolt Base, Cast Iron | | | | |
| F3R = | Flange Bearing 3 Bolt, Cast Iron, Round | | | | |
| F4S = | Flange Bearing 4 Bolt, Cast Iron, Square | | | | |
| F4R = | Flange Bearing 4 Bolt, Cast Iron, Round | | | | |
| FC = | Piloted Flanged (Flanged Cartridge) | | | | |
| WSTU = | Wide Slot Take-Up Bearing For Use In Center- Pull Frames | | | | |
| TPHU = | TPHU Take-up Bearing For Use In TPHU Or Top Angle Take-Up Frames | | | | |

* Available in two or four bolt pillow blocks, four bolt square flanges and piloted flanges

| | | | |
|--------------------------------|---------------------------|-------------------------|----------------------------------|
| FEATURES/BENEFITS PAGE B8-3 | HOW TO ORDER PAGE B8-6 | DIMENSION PAGE B8-18 | INTERCHANGE CHARTS PAGE B8-46 |
|--------------------------------|---------------------------|-------------------------|----------------------------------|

FEATURES/BENEFITS

DODGE[®]



S-2000-E

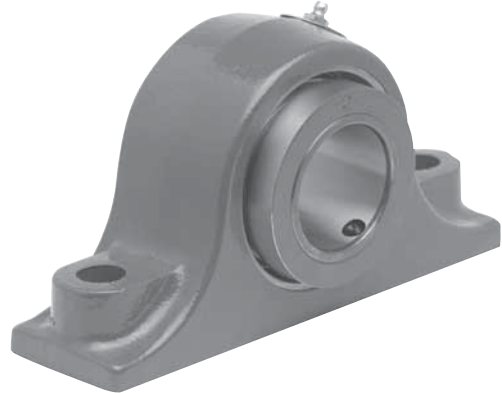
D-LOK

Type E Family

Specialty Tapered

S-2000

UNISPHERE II



- Interchangeable with Type E style pillow blocks and flanges
- Same proven DODGE S-2000 double row spherical insert
- 65° springlock collar mounting
- Up to $\pm 1^\circ$ misalignment capability
- Seal land on OD of inner ring maintains full contact pressure even when misaligned
- High capacity double row spherical bearing
- 2 bolt pillow blocks in sizes 1-3/8 to 3-7/16"
- 4 bolt pillow blocks in sizes 2-7/16 to 4-15/16"
- Flange bearings in sizes 1-3/8 to 4-7/16"
- Piloted flange bearings in sizes 1-3/8 to 4-15/16"

SELECTION



S-2000 SPHERICAL ROLLER BEARINGS

DODGE Spherical Roller Bearings have the capacity to carry heavy radial loads and combined radial and thrust loads. The maximum recommended load which can be applied is limited by various components in the system such as bearing, housing, shaft, shaft attachment, speed and life requirements as listed in this catalog. DODGE spherical roller bearings have been applied successfully even when these limits have been exceeded under controlled operating conditions. Contact DODGE Application Engineering (864-284-5700) for applications which exceed the recommendations of this catalog.

L_{10} Hours Life - The life which may be expected from at least 90% of a given group of bearings operating under identical conditions.

$$L_{10} \text{ Life, Hours} = \left(\frac{C}{P} \right)^{10/3} \times \left(\frac{16667}{\text{RPM}} \right)$$

Where: C = Dynamic Capacity
(Table 1 on page B8-12) lbs.
P = Equivalent Radial Load, lbs.

GENERAL

Heavy Service - For heavy shock loads, frequent shock loads, or severe vibrations, add up to 50% (according to severity of conditions) to the Equivalent Radial Load to obtain a Modified Equivalent Radial Load. Consult DODGE Application Engineering for additional selection assistance.

Thrust load values shown in the table below are recommended as a guide for general applications that will give adequate L_{10} life. Spherical bearings require a radial load at least equal to the thrust load for proper operation. If the thrust load exceeds this limit, consult Application Engineering. Where substantial radial load is also present, it is advisable to calculate actual

L_{10} life to assure that it meets the requirements. The effectiveness of the shaft attachment to carry thrust load depends on proper tightening of the set screws, shaft tolerance and shaft deflections. Therefore, it is advisable to use auxiliary thrust carrying devices such as shaft shoulder, snap ring or a thrust collar to locate the bearing under thrust loads heavier than shown below, or where extreme reliability is desired.

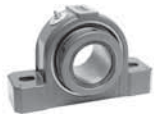
| RPM | 20-200 | 201 - 2000 | Over 2000 |
|-------------------------|--------|------------|-----------|
| RECOMMENDED THRUST LOAD | C/20 | C/40 | C/60 |

The shaft tolerances recommended below are adequate for normal radial and radial/thrust load applications. The radial load is limited by the attachment to the shaft (see Table 1 on page B8-12). Where the applied radial load (FR) exceeds this limit (maximum allowable slip fit radial load), a snug-to-light press fit of the shaft is required. Since the allowable load, especially at a low speed, is very large, the shaft should be checked to assure adequate shaft strength.

The magnitude and direction of both the thrust and radial load must be taken into account when selecting a housing. **When pillow blocks are utilized, heavy loads should be directed through the base. Where uplift loads are involved, see Table 4 on page B8-16 and for maximum values.** Where a load pulls the housing away from the mounting base, both the hold-down bolts and housing must be of adequate strength. Auxiliary load carrying devices such as shear bars are advisable for side or end loading of pillow blocks and radial loads for flange units.

| SHAFT TOLERANCES | |
|------------------|------------------|
| SHAFT SIZE | S-2000 |
| UP TO 1-1/2" | + .0000 - .0005" |
| 1-9/16 TO 4" | + .000 - .001" |
| 4-7/16 TO 5" | + .000 - .0015" |

| | | | |
|--------------------------------|---------------------------|-------------------------|----------------------------------|
| FEATURES/BENEFITS PAGE B8-3 | HOW TO ORDER PAGE B8-6 | DIMENSION PAGE B8-18 | INTERCHANGE CHARTS PAGE B8-46 |
|--------------------------------|---------------------------|-------------------------|----------------------------------|



SELECTION

S-2000

BEARING SUPPORTING RADIAL LOADS ONLY

1. Define L_{10} Life Hours desired.
2. Establish bearing radial load, F_R
($F_R = P$ for Pure Radial Load Conditions). The DODGE program BEST™* can be used to find application loads.
3. Establish RPM.

Using the easy selection Table 2 on page B8-13, find, under the RPM column, the equivalent radial load that equals or is slightly higher than the application radial load for the desired life. The shaft size on the far left will be the minimum shaft size that you can use for your application.

If the desired life is different than the values shown on the chart, use alternate Method A shown below.

- Example:
1. L_{10} Life = 30,000 Hours
 2. Radial load = 4000 lbs.
 3. RPM = 1,000

At the intersection of the 1,000 RPM column and the 30,000 hours L_{10} life row, the equivalent radial load of 4011 lbs. exceeds the 4000 lbs. radial load for shaft size 2-7/16". A bearing with bore 2-7/16", or larger, may be used for this application.

ALTERNATE METHOD A - SELECTING A BEARING FOR AN L_{10} LIFE VALUE NOT SHOWN IN THE EASY SELECTION CHART.

The L_{10} life equation can be rearranged so that the bearing dynamic capacity C is identified in terms of L_{10} , RPM and P

$$C = \left(\frac{L_{10} \times \text{RPM}}{16667} \right)^{0.3} \times P$$

($P = F_R$ for Pure Radial Load Conditions)

★ The DODGE Bearing Evaluation and Selection Technique (BEST) is a menu driven computer program that calculates bearing loads, fatigue life and operating temperature for a two bearing shaft system based on user supplied input parameters. This interactive program is available at www.ptwizard.com under the Product Selection area.

Since the L_{10} , RPM and P are known, solve for C . Select from the dynamic capacity column on Table 1 on page B8-12 the C value equal to or greater than the C value just calculated. The bore size on the far left represents the proper bore size selection. Check that the application RPM does not exceed the MAX. RPM on Table 1. Also check that the radial load does not exceed the Maximum Allowable Slip Fit Radial Load shown on Table 1 on page B8-12. If it does, a line-to-line to light press fit of shaft is required. When selecting an L_{10} life of less than 30,000 hours, particular attention must be paid to shaft deflection and proper lubricant selection.

SELECTING BEARINGS SUPPORTING COMBINATION RADIAL AND THRUST LOADS

When a bearing supports both a radial load and a thrust load, the loading on the two rows is shared unequally depending on the ratio of thrust to radial load. The use of the X (radial factor) and Y (thrust factor) from Table 1 converts the applied thrust load and radial loads to an equivalent radial load having the same effect on the life of the bearing as a radial load of this magnitude.

$$\text{The equivalent radial load } P = XF_R + YF_A$$

Where:

- P = Equivalent radial load, lbs.
- F_R = Radial load, lbs. (see Table 1 for allowable slip fit maximum load)
- F_A = Thrust (axial) load, lbs.
- e = Thrust load to radial load factor (Table 1)
- X = Radial load factor (Table 1)
- Y = Thrust load factor (Table 1)

| | | | |
|--------------------------------|---------------------------|-------------------------|----------------------------------|
| FEATURES/BENEFITS PAGE B8-3 | HOW TO ORDER PAGE B8-6 | DIMENSION PAGE B8-18 | INTERCHANGE CHARTS PAGE B8-46 |
|--------------------------------|---------------------------|-------------------------|----------------------------------|

SELECTION



S-2000

To find X and Y, calculate F_A/F_R and compare to **e** for the selected bore size. Determine X and Y from Table 1 on page B8-12 depending on whether F_A/F_R is equal to or less than **e**, or F_A/F_R is greater than **e**. Substitute all known values into the equivalent radial load equation. P (equivalent radial load) can be used in the life formula to determine L_{10} , or it can be compared to the allowable equivalent radial load ratings for the speed and hours life desired in the easy selection Table 2 on page B8-13.

SELECTING BEARINGS SUPPORTING ONLY THRUST LOADS

Spherical Roller Bearings generally are not recommended for pure thrust load applications. However, they will perform satisfactorily under very light pure thrust loads. Consult DODGE Application Engineering (864-281-2195).

SELECTING LUBRICATION

DODGE S-2000 spherical roller bearings are lubricated at the factory with Mobilith AW2 grease. Mobilith AW2 grease is a superior industrial grease using a lithium complex thickener and highly refined base oil. This grease will adequately handle low and medium speeds with low and medium loads at normal temperatures as defined on Table 3 on page B8-15. For very low and high speeds, for heavy loads and for low and high temperatures, special

greases must be used. Contact DODGE Application Engineering (864-284-5700). DODGE engineers will recommend bearings and lubricants for the above unusual conditions. DODGE also has the expertise to custom design and build special bearings for your needs. The only maintenance requirement for DODGE Unitized roller bearings is periodic relubrication at regular intervals as outlined in the appropriate instruction manuals.

MISALIGNMENT CONSIDERATIONS

In nearly all applications, good design practice requires two bearings supporting the shaft. In cases where three or more bearings are installed, unless precautions are taken to line the bearings up both vertically and horizontally, it is possible to induce heavy loads. In the case of two bearings, alignment is not as critical, especially with DODGE Unitized Spherical Roller Bearings. S-2000 bearings are designed to allow a maximum of $\pm 1^\circ$ of static and dynamic misalignment. However, for optimum seal performance, misalignment should be kept under $\pm 0.5^\circ$. To ensure good alignment, mounting surfaces must be checked for flatness and must lie in the same plane. When tightening base bolts, each bolt should be alternately tightened in incremental torque values until full torque is achieved to prevent the angular shifting of the pillow block that occurs when one bolt is tightened to its full torque. Shimming may be required to minimize misalignment.

D-LOK

Type E Family

Speciality Tapered

S-2000

UNISPHERE II

| | | | |
|--------------------------------|---------------------------|-------------------------|----------------------------------|
| FEATURES/BENEFITS PAGE B8-3 | HOW TO ORDER PAGE B8-6 | DIMENSION PAGE B8-18 | INTERCHANGE CHARTS PAGE B8-46 |
|--------------------------------|---------------------------|-------------------------|----------------------------------|

SELECTION



S-2000

Table 1: S-2000 Spherical Roller Bearings

| Shaft Size Inches | Basic Bearing Description | e | FA/FR < e | | FA/FR > e | | Max. Allowable Slip Fit Radial Load FR* Pounds | Dynamic Capacity (C) Pounds | Static Capacity Co | Maximum Speed ** | |
|--------------------------|---------------------------|------|-----------|-----|-----------|-----|--|-----------------------------|--------------------|------------------|------------------------|
| | | | X | Y | X | Y | | | | Labyrinth RPM | TRIDENT Triple Lip RPM |
| 1-3/8 1-7/16 1-1/2 | 22208 | 0.28 | 1.0 | 2.4 | 0.67 | 3.6 | 3,750 | 20,800 | 21,000 | 3,600 | 2,900 |
| 1-11/16 1-3/4 | 22209 | 0.26 | 1.0 | 2.6 | 0.67 | 3.9 | 3,750 | 20,800 | 22,000 | 3,360 | 2,460 |
| 1-15/16 2 | 22210 | 0.24 | 1.0 | 2.8 | 0.67 | 4.2 | 4,000 | 22,000 | 24,000 | 3,180 | 2,200 |
| 2-3/16 | 22211 | 0.23 | 1.0 | 2.9 | 0.67 | 4.3 | 4,860 | 27,000 | 29,000 | 2,700 | 1,950 |
| 2-7/16 | 22213 | 0.24 | 1.0 | 2.8 | 0.67 | 4.2 | 6,840 | 39,000 | 47,500 | 2,250 | 1,740 |
| 2-11/16 2-15/16 3 | 22215 | 0.22 | 1.0 | 3.1 | 0.67 | 4.6 | 7,500 | 41,500 | 53,000 | 2,040 | 1,490 |
| 3-7/16 | 22218 | 0.23 | 1.0 | 2.9 | 0.67 | 4.3 | 11,500 | 65,500 | 81,500 | 1,560 | 1,280 |
| 3-15/16 | 22220 | 0.24 | 1.0 | 2.8 | 0.67 | 4.2 | 14,400 | 83,000 | 104,000 | 1,320 | 1,075 |
| 4-7/16 | 22222 | 0.25 | 1.0 | 2.7 | 0.67 | 4.1 | 18,400 | 104,000 | 132,000 | 1,200 | 990 |
| 4-15/16 | 22226 | 0.26 | 1.0 | 2.6 | 0.67 | 3.9 | 25,700 | 146,000 | 196,000 | 1,020 | 870 |

* If load exceeds the maximum allowable slip fit load, line- to-line to light press fit of shaft required. Maximum slip fit radial loads apply if recommended shaft sizes are used.

** Maximum speed is dependent on load and ambient conditions, consult DODGE Engineering.

D-LOK

Type E Family

Specialty Tapered

S-2000

UNISPHERE II

| | | | |
|--------------------------------|---------------------------|-------------------------|----------------------------------|
| FEATURES/BENEFITS PAGE B8-3 | HOW TO ORDER PAGE B8-6 | DIMENSION PAGE B8-18 | INTERCHANGE CHARTS PAGE B8-46 |
|--------------------------------|---------------------------|-------------------------|----------------------------------|

SELECTION



S-2000

Table 2: Easy Selection Table for S-2000 Double Row Spherical Roller Bearings

| Shaft Size Inches | L10 Life Hours | Allowable Equivalent Radial Load Rating (lbs.) at Various Revolutions per Minute | | | | | | | | | | | | | | | | |
|-------------------|----------------|--|--------|--------|--------|--------|--------|-------|-------|-------|-------|-------|-------|-------|-------|-------|-------|-------|
| | | 50 | 100 | 150 | 250 | 500 | 870 | 1,020 | 1,200 | 1,320 | 1,560 | 1,750 | 2,040 | 2,250 | 2,700 | 3180 | 3360 | 3600 |
| 1-3/8 to 1-1/2 | 10,000 | 7,498 | 6,090 | 5,393 | 4,626 | 3,758 | 3,182 | 3,034 | 2,890 | 2,808 | 2,671 | 2,581 | 2,465 | 2,393 | 1,495 | 2,157 | 2,122 | 2,078 |
| | 30,000 | 5,393 | 4,380 | 3,878 | 3,327 | 2,703 | 2,289 | 2,182 | 2,078 | 2,020 | 1,921 | 1,856 | 1,773 | 1,721 | 1,495 | 1,552 | 1,526 | 1,495 |
| | 40,000 | 4,947 | 4,018 | 3,558 | 3,052 | 2,479 | 2,100 | 2,002 | 1,907 | 1,853 | 1,762 | 1,703 | 1,626 | 1,579 | 1,495 | 1,423 | 1,400 | 1,371 |
| | 60,000 | 4,380 | 3,558 | 3,150 | 2,703 | 2,195 | 1,859 | 1,773 | 1,688 | 1,641 | 1,560 | 1,508 | 1,440 | 1,398 | 1,324 | 1,260 | 1,240 | 1,214 |
| | 100,000 | 3,758 | 3,052 | 2,703 | 2,319 | 1,883 | 1,595 | 1,521 | 1,448 | 1,407 | 1,339 | 1,293 | 1,235 | 1,199 | 1,136 | 1,081 | 1,063 | 1,042 |
| 1-11/16 to 1-3/4 | 10,000 | 7,498 | 6,090 | 5,393 | 4,626 | 3,758 | 3,182 | 3,034 | 2,890 | 2,808 | 2,671 | 2,581 | 2,465 | 1,579 | 2,266 | 2,157 | 2,122 | |
| | 30,000 | 5,393 | 4,380 | 3,878 | 3,327 | 2,703 | 2,289 | 2,182 | 2,078 | 2,020 | 1,921 | 1,856 | 1,773 | 1,579 | 1,630 | 1,552 | 1,526 | |
| | 40,000 | 4,947 | 4,018 | 3,558 | 3,052 | 2,479 | 2,100 | 2,002 | 1,907 | 1,853 | 1,762 | 1,703 | 1,626 | 1,579 | 1,495 | 1,423 | 1,400 | |
| | 60,000 | 4,380 | 3,558 | 3,150 | 2,703 | 2,195 | 1,859 | 1,773 | 1,688 | 1,641 | 1,560 | 1,508 | 1,440 | 1,398 | 1,324 | 1,260 | 1,240 | |
| | 100,000 | 3,758 | 3,052 | 2,703 | 2,319 | 1,883 | 1,595 | 1,521 | 1,448 | 1,407 | 1,339 | 1,293 | 1,235 | 1,199 | 1,136 | 1,081 | 1,063 | |
| 1-15/16 to 2 | 10,000 | 7,930 | 6,441 | 5,704 | 4,893 | 3,975 | 3,366 | 3,209 | 3,057 | 2,970 | 2,825 | 2,729 | 1,720 | 2,531 | 2,396 | 2,282 | | |
| | 30,000 | 5,704 | 4,633 | 4,102 | 3,519 | 2,859 | 2,421 | 2,308 | 2,198 | 2,136 | 2,032 | 1,963 | 1,720 | 1,820 | 1,724 | 1,641 | | |
| | 40,000 | 5,232 | 4,250 | 3,763 | 3,228 | 2,622 | 2,221 | 2,117 | 2,017 | 1,960 | 1,864 | 1,801 | 1,720 | 1,670 | 1,581 | 1,505 | | |
| | 60,000 | 4,633 | 3,763 | 3,332 | 2,859 | 2,322 | 1,966 | 1,875 | 1,786 | 1,735 | 1,650 | 1,594 | 1,523 | 1,479 | 1,400 | 1,333 | | |
| | 100,000 | 3,975 | 3,228 | 2,859 | 2,452 | 1,992 | 1,687 | 1,608 | 1,532 | 1,489 | 1,416 | 1,368 | 1,306 | 1,269 | 1,201 | 1,144 | | |
| 2-3/16 | 10,000 | 9,733 | 7,905 | 7,000 | 6,005 | 4,878 | 4,131 | 3,939 | 3,751 | 3,645 | 3,467 | 2,210 | 3,199 | 3,106 | 2,941 | | | |
| | 30,000 | 7,000 | 5,686 | 5,035 | 4,319 | 3,508 | 2,971 | 2,833 | 2,698 | 2,622 | 2,494 | 2,210 | 2,301 | 2,234 | 2,115 | | | |
| | 40,000 | 6,421 | 5,216 | 4,618 | 3,962 | 3,218 | 2,726 | 2,599 | 2,475 | 2,405 | 2,288 | 2,210 | 2,111 | 2,050 | 1,940 | | | |
| | 60,000 | 5,686 | 4,618 | 4,089 | 3,508 | 2,850 | 2,413 | 2,301 | 2,191 | 2,130 | 2,026 | 1,957 | 1,869 | 1,815 | 1,718 | | | |
| | 100,000 | 4,878 | 3,962 | 3,508 | 3,010 | 2,445 | 2,070 | 1,974 | 1,880 | 1,827 | 1,738 | 1,679 | 1,603 | 1,557 | 1,474 | | | |
| 2-7/16 | 10,000 | 14,058 | 11,419 | 10,111 | 8,674 | 7,046 | 5,967 | 5,689 | 5,418 | 5,266 | 5,008 | 4,838 | 4,621 | 4,487 | | | | |
| | 30,000 | 10,111 | 8,213 | 7,272 | 6,239 | 5,068 | 4,292 | 4,092 | 3,897 | 3,787 | 3,602 | 3,480 | 3,324 | 3,227 | | | | |
| | 40,000 | 9,275 | 7,534 | 6,671 | 5,723 | 4,649 | 3,937 | 3,753 | 3,575 | 3,474 | 3,304 | 3,192 | 3,049 | 2,960 | | | | |
| | 60,000 | 8,213 | 6,671 | 5,907 | 5,068 | 4,116 | 3,486 | 3,324 | 3,165 | 3,076 | 2,926 | 2,827 | 2,700 | 2,621 | | | | |
| | 100,000 | 7,046 | 5,723 | 5,068 | 4,348 | 3,531 | 2,991 | 2,851 | 2,716 | 2,639 | 2,510 | 2,425 | 2,316 | 2,249 | | | | |
| 2-11/16 to 3 | 10,000 | 14,959 | 12,151 | 10,759 | 9,230 | 7,497 | 6,350 | 6,054 | 5,766 | 3,697 | 5,329 | 5,149 | 4,917 | | | | | |
| | 30,000 | 10,759 | 8,739 | 7,738 | 6,639 | 5,392 | 4,567 | 4,354 | 4,147 | 3,697 | 3,833 | 3,703 | 3,537 | | | | | |
| | 40,000 | 9,870 | 8,017 | 7,098 | 6,090 | 4,946 | 4,189 | 3,994 | 3,804 | 3,697 | 3,516 | 3,397 | 3,244 | | | | | |
| | 60,000 | 8,739 | 7,098 | 6,285 | 5,392 | 4,380 | 3,709 | 3,537 | 3,368 | 3,273 | 3,113 | 3,008 | 2,873 | | | | | |
| | 100,000 | 7,497 | 6,090 | 5,392 | 4,626 | 3,758 | 3,182 | 3,034 | 2,890 | 2,808 | 2,671 | 2,580 | 2,464 | | | | | |
| 3-7/16 | 10,000 | 23,611 | 19,178 | 16,981 | 14,569 | 11,833 | 10,022 | 9,555 | 6,004 | 8,844 | 8,411 | | | | | | | |
| | 30,000 | 16,981 | 13,793 | 12,213 | 10,478 | 8,511 | 7,208 | 6,872 | 6,004 | 6,360 | 6,050 | | | | | | | |
| | 40,000 | 15,577 | 12,653 | 11,203 | 9,612 | 7,807 | 6,612 | 6,304 | 6,004 | 5,835 | 5,549 | | | | | | | |
| | 60,000 | 13,793 | 11,203 | 9,920 | 8,511 | 6,913 | 5,855 | 5,582 | 5,316 | 5,166 | 4,914 | | | | | | | |
| | 100,000 | 11,833 | 9,612 | 8,511 | 7,302 | 5,931 | 5,023 | 4,789 | 4,561 | 4,432 | 4,216 | | | | | | | |

Only the labyrinth seal (L seal) may be used to the right of the heavy line.

In the light shaded area, a line-to-line to light press fit on the shaft is required.

For applications in the dark shaded area, the maximum load for the specific speed is shown. The load does not correspond to the 10 shown at the left.

| | | | |
|--------------------------------|---------------------------|-------------------------|----------------------------------|
| FEATURES/BENEFITS PAGE B8-3 | HOW TO ORDER PAGE B8-6 | DIMENSION PAGE B8-18 | INTERCHANGE CHARTS PAGE B8-46 |
|--------------------------------|---------------------------|-------------------------|----------------------------------|

SELECTION



S-2000

Table 2: Easy Selection Table for S-2000 Double Row Spherical Roller Bearings (continued)

| Shaft Size Inches | L10 Life Hours | Allowable Equivalent Radial Load Rating (lbs.) at Various Revolutions per Minute | | | | | | | | | | | | | | | | |
|-------------------|----------------|--|--------|--------|--------|--------|--------|--------|--------|--------|-------|-------|-------|-------|-------|------|------|------|
| | | 50 | 100 | 150 | 250 | 500 | 870 | 1,020 | 1,200 | 1,320 | 1,560 | 1,750 | 2,040 | 2,250 | 2,700 | 3180 | 3360 | 3600 |
| 3-15/16 | 10,000 | 29,919 | 24,302 | 21,518 | 18,461 | 14,995 | 12,699 | 7,988 | 11,531 | 11,206 | | | | | | | | |
| | 30,000 | 21,518 | 17,478 | 15,476 | 13,278 | 10,785 | 9,134 | 7,988 | 8,294 | 8,060 | | | | | | | | |
| | 40,000 | 19,739 | 16,033 | 14,197 | 12,180 | 9,893 | 8,378 | 7,988 | 7,608 | 7,393 | | | | | | | | |
| | 60,000 | 17,478 | 14,197 | 12,571 | 10,785 | 8,760 | 7,419 | 7,073 | 6,737 | 6,547 | | | | | | | | |
| | 100,000 | 14,995 | 12,180 | 10,785 | 9,252 | 7,515 | 6,365 | 6,068 | 5,779 | 5,616 | | | | | | | | |
| 4-7/16 | 10,000 | 37,489 | 30,450 | 26,963 | 23,132 | 18,789 | 10,498 | 15,171 | 14,449 | | | | | | | | | |
| | 30,000 | 26,963 | 21,901 | 19,392 | 16,637 | 13,513 | 10,498 | 10,911 | 10,392 | | | | | | | | | |
| | 40,000 | 24,733 | 20,090 | 17,789 | 15,261 | 12,396 | 10,498 | 10,009 | 9,533 | | | | | | | | | |
| | 60,000 | 21,901 | 17,789 | 15,751 | 13,513 | 10,976 | 9,296 | 8,863 | 8,441 | | | | | | | | | |
| | 100,000 | 18,789 | 15,261 | 13,513 | 11,593 | 9,417 | 7,975 | 7,603 | 7,242 | | | | | | | | | |
| 4-15/16 | 10,000 | 52,628 | 42,747 | 37,851 | 32,473 | 26,377 | 14,738 | 21,298 | | | | | | | | | | |
| | 30,000 | 37,851 | 30,745 | 27,224 | 23,356 | 18,971 | 14,738 | 15,318 | | | | | | | | | | |
| | 40,000 | 34,722 | 28,203 | 24,973 | 21,424 | 17,402 | 14,738 | 14,051 | | | | | | | | | | |
| | 60,000 | 30,745 | 24,973 | 22,112 | 18,971 | 15,409 | 13,050 | 12,442 | | | | | | | | | | |
| | 100,000 | 26,377 | 21,424 | 18,971 | 16,275 | 13,220 | 11,196 | 10,674 | | | | | | | | | | |

Only the labyrinth seal (L seal) may be used to the right of the heavy line.

In the light shaded area, a line-to-line to light press fit on the shaft is required.

For applications in the dark shaded area, the maximum load for the specific speed is shown. The load does not correspond to the L10 shown at the left.

D-LOK

Type E Family

Specialty Tapered

S-2000

UNISPHERE II

| | | | |
|--------------------------------|---------------------------|-------------------------|----------------------------------|
| FEATURES/BENEFITS PAGE B8-3 | HOW TO ORDER PAGE B8-6 | DIMENSION PAGE B8-18 | INTERCHANGE CHARTS PAGE B8-46 |
|--------------------------------|---------------------------|-------------------------|----------------------------------|



S-2000

Table 3: Definition Of Operating Conditions For Unitized Spherical Roller Bearings

| | |
|--------------------|---|
| LOW SPEED | UP TO 20% OF MAX. RPM (TABLE 1) |
| MEDIUM SPEED | OVER 20% TO 80% OF MAX. RP |
| HIGH SPEED | MOVER 80% OF MAX. RPM |
| LIGHT LOAD | UP TO 8% OF C (TABLE 1) |
| NORMAL LOAD | OVER 8% TO 18% OF C |
| HEAVY LOAD | OVER 18% OF C C = DYNAMIC CAPACITY |
| LOW TEMPERATURE | -20 to -100°F |
| MEDIUM TEMPERATURE | OVER 20°F TO 200°F |
| HIGH TEMPERATURE | OVER 200°F TO 250°F |

D-LOK

Type E Family

Speciality Tapered

S-2000

UNISPHERE II

| | | | |
|--------------------------------|---------------------------|-------------------------|----------------------------------|
| FEATURES/BENEFITS PAGE B8-3 | HOW TO ORDER PAGE B8-6 | DIMENSION PAGE B8-18 | INTERCHANGE CHARTS PAGE B8-46 |
|--------------------------------|---------------------------|-------------------------|----------------------------------|



S-2000

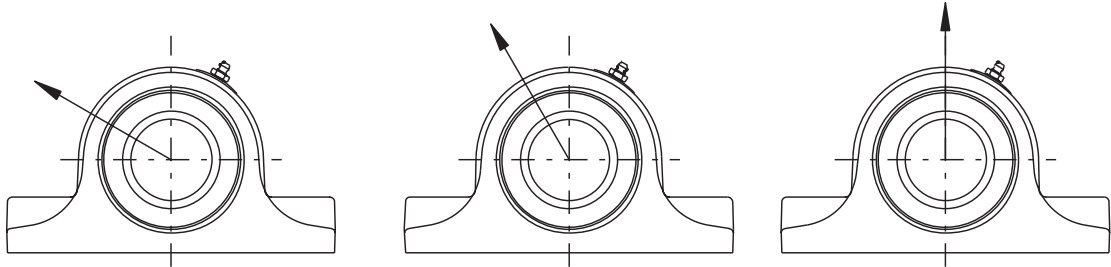


Table 4: S-2000 Housing Rating, 2-Bolt, Cast Iron*

| Bore Size | Maximum Recommended Housing Cap Loads, lb | | |
|------------------|---|------|-------|
| | 120° | 150° | 180° |
| 1-3/8 to 1-1/2 | 2110 | 2640 | 3100 |
| 1-5/8 to 1-3/4 | 2380 | 2980 | 3500 |
| 1-15/16 to 2 | 3130 | 3910 | 4600 |
| 2-3/16 | 3330 | 4160 | 4900 |
| 2-7/16 | 3330 | 4160 | 4900 |
| 2-11/16 to 3 | 4420 | 5520 | 6500 |
| 3-3/16 to 3-7/16 | 4620 | 5780 | 6800 |
| 3-15/16 | 7500 | 9350 | 11000 |

* When utilizing heavy cap loads on pillow block housings, the installation must adhere to the following procedures:

1. The pillow block base bolts must be of high strength (Grade 8) bolts and properly tightened to mounting structure.
2. Stop bars (shear strips) should be used against the plummer block where side loads are encountered.
3. In all cases where loads are heavy, the L_{10} life of the bearing should be checked for proper selection and life requirements.

| | | | |
|--------------------------------|---------------------------|-------------------------|----------------------------------|
| FEATURES/BENEFITS PAGE B8-3 | HOW TO ORDER PAGE B8-6 | DIMENSION PAGE B8-18 | INTERCHANGE CHARTS PAGE B8-46 |
|--------------------------------|---------------------------|-------------------------|----------------------------------|



S-2000

D-LOK

Type E Family

Speciality Tapered

S-2000

UNISPHERE II

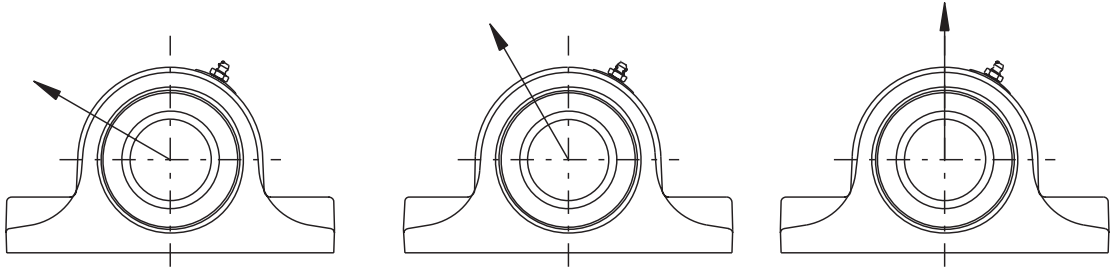


Table 5: S-2000 Housing Rating, 4-Bolt, Cast Iron*

| Bore Size | Maximum Recommended Housing Cap Loads, lb | | |
|--------------|---|-------|-------|
| | 120° | 150° | 180° |
| 1-15/16 - 2 | 3200 | 4000 | 4700 |
| 2-3/16 | 3300 | 4100 | 4800 |
| 2-7/16 | 3810 | 4760 | 5600 |
| 2-11/16 to 3 | 4620 | 5780 | 6800 |
| 3-7/16 | 4700 | 5870 | 6900 |
| 3-15/16 | 7500 | 9350 | 11000 |
| 4-7/16 | 9900 | 12330 | 14500 |
| 4-15/16 | 13400 | 16750 | 19700 |

* When utilizing heavy cap loads on pillow block housings, the installation must adhere to the following procedures:

1. The pillow block base bolts must be of high strength (Grade 8) bolts and properly tightened to mounting structure.
2. Stop bars (shear strips) should be used against the plummer block where side loads are encountered.
3. In all cases where loads are heavy, the L_{10} life of the bearing should be checked for proper selection and life requirements.

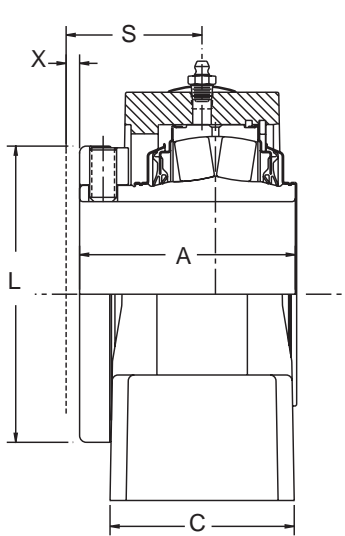
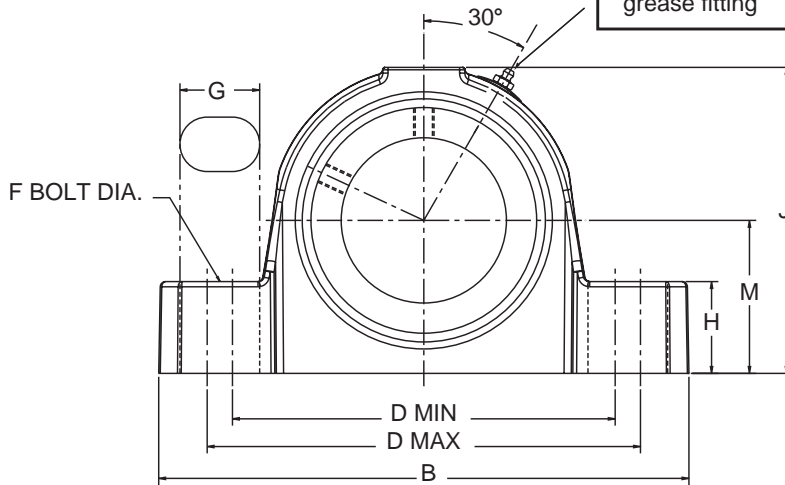
| | | | |
|--------------------------------|---------------------------|-------------------------|----------------------------------|
| FEATURES/BENEFITS PAGE B8-3 | HOW TO ORDER PAGE B8-6 | DIMENSION PAGE B8-18 | INTERCHANGE CHARTS PAGE B8-46 |
|--------------------------------|---------------------------|-------------------------|----------------------------------|

DIMENSIONS

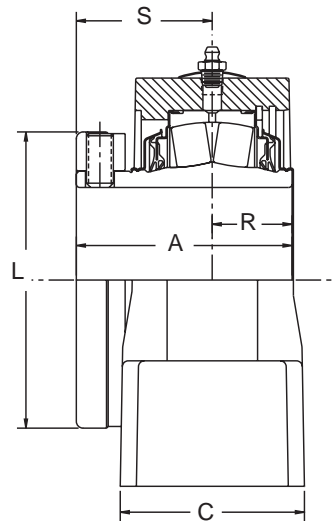


S-2000 Pillow Block 2-BOLT BASE - INCH

NOTE: All sizes use a 1/8-27 NPT hydraulic grease fitting



EXPANSION



NON-EXPANSION

FEATURES/BENEFITS
PAGE B8-3

HOW TO ORDER
PAGE B8-6

SELECTION
PAGE B8-9

INTERCHANGE CHARTS
PAGE B8-46

DIMENSIONS



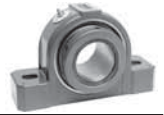
S-2000 Pillow Block 2-BOLT BASE - INCH

| Bearing | Shaft Size Inch | TRIDENT Seal | | | | Labyrinth Seal | | | |
|---------|-----------------|---------------|-------------|---------------|--------------|----------------|-------------|---------------|--------------|
| | | Non-Expansion | | Expansion | | Non-Expansion | | Expansion | |
| | | Part No. | Part Name | Part No. | Part Name | Part No. | Part Name | Part No. | Part Name |
| 22208 | 1-3/8 | 070272 | P2B-S2-106R | 070295 | P2B-S2-106RE | 070318 | P2B-S2-106L | 070341 | P2B-S2-106LE |
| | 1-7/16 | 070273 | P2B-S2-107R | 070296 | P2B-S2-107RE | 070319 | P2B-S2-107L | 070342 | P2B-S2-107LE |
| | 1-1/2 | 070274 | P2B-S2-108R | 070297 | P2B-S2-108RE | 070320 | P2B-S2-108L | 070343 | P2B-S2-108LE |
| 22209 | 1-11/16 | 070276 | P2B-S2-111R | 070299 | P2B-S2-111RE | 070322 | P2B-S2-111L | 070345 | P2B-S2-111LE |
| | 1-3/4 | 070277 | P2B-S2-112R | 070300 | P2B-S2-112RE | 070323 | P2B-S2-112L | 070346 | P2B-S2-112LE |
| 22210 | 1-15/16 | 070278 | P2B-S2-115R | 070301 | P2B-S2-115RE | 070324 | P2B-S2-115L | 070347 | P2B-S2-115LE |
| | 2 | 070279 | P2B-S2-200R | 070302 | P2B-S2-200RE | 070325 | P2B-S2-200L | 070348 | P2B-S2-200LE |
| 22211 | 2-3/16 | 070280 | P2B-S2-203R | 070303 | P2B-S2-203RE | 070326 | P2B-S2-203L | 070349 | P2B-S2-203LE |
| 22213 | 2-7/16 | 070282 | P2B-S2-207R | 070305 | P2B-S2-207RE | 070328 | P2B-S2-207L | 070351 | P2B-S2-207LE |
| 22215 | 2-11/16 | 070284 | P2B-S2-211R | 070307 | P2B-S2-211RE | 070330 | P2B-S2-211L | 070353 | P2B-S2-211LE |
| | 2-15/16 | 070285 | P2B-S2-215R | 070308 | P2B-S2-215RE | 070331 | P2B-S2-215L | 070354 | P2B-S2-215LE |
| | 3 | 070286 | P2B-S2-300R | 070309 | P2B-S2-300RE | 070332 | P2B-S2-300L | 070355 | P2B-S2-300LE |
| 22218 | 3-7/16 | 070288 | P2B-S2-307R | 070311 | P2B-S2-307RE | 070334 | P2B-S2-307L | 070357 | P2B-S2-307LE |
| 22220 | 3-15/16 | 070290 | P2B-S2-315R | 070313 | P2B-S2-315RE | 070336 | P2B-S2-315L | 070359 | P2B-S2-315LE |

| SHAFT SIZE | A | B | C | D | | F BOLT DIA. | G | H | J | L | M | R | S | X TOTAL EXP. |
|--------------------------|--------------------|----------------|--------------------|-------------------|-------------------|-------------|----------------|-----------------|----------------|-----------------|----------------|-------------------|--------------------|--------------|
| | | | | MIN | MAX | | | | | | | | | |
| 1-3/8 1-7/16 1-1/2 | 2-17/32 | 6-7/8 | 1-61/64 | 4-13/16 | 5-13/64 | 1/2 | 13/16 | 1-1/8 | 3-7/8 | 2-3/4 | 1-7/8 | 7/8 | 1-21/32 | 3/16 |
| 1-11/16 1-3/4 | 2-43/64 | 7-3/8 | 2-1/16 | 5-5/16 | 5-45/64 | 1/2 | 13/16 | 1-1/4 | 4-17/64 | 3-3/16 | 2-1/8 | 13/16 | 1-55/64 | 1/4 |
| 1-15/16 2 | 2-27/32 | 8-3/8 | 2-1/2 | 6-1/16 | 6-7/16 | 5/8 | 61/64 | 1-5/16 | 4-9/16 | 3-7/16 | 2-1/4 | 55/64 | 1-63/64 | 1/4 |
| 2-3/16 2-7/16 | 2-15/16 3-13/64 | 8-7/8 9-1/4 | 2-5/8 2-55/64 | 6-9/16 6-15/16 | 6-15/16 7-5/16 | 5/8 5/8 | 61/64 61/64 | 1-1/2 1-5/8 | 5 5-19/32 | 3-3/4 4-1/16 | 2-1/2 2-3/4 | 29/32 1-1/8 | 2-1/32 2-5/64 | 1/4 1/4 |
| 2-11/16 2-15/16 3 | 3-19/32 | 10-7/16 | 3-5/64 | 7-15/16 | 8-5/16 | 3/4 | 1-1/16 | 1-7/8 | 6-3/8 | 4-45/64 | 3-1/4 | 1-9/64 | 2-29/64 | 1/4 |
| 3-7/16 3-15/16 | 4-1/64 4-15/32 | 13 15-1/4 | 3-27/64 3-29/32 | 9-3/8 10-5/8 | 10-5/8 12-7/8 | 7/8 1 | 1-5/8 2-1/4 | 2-1/4 2-7/16 | 7-1/2 8-3/8 | 5-1/2 6 | 3-3/4 4-1/4 | 1-13/32 1-9/16 | 2-39/64 2-29/32 | 1/4 5/16 |

| | | | |
|--------------------------------|---------------------------|------------------------|----------------------------------|
| FEATURES/BENEFITS PAGE B8-3 | HOW TO ORDER PAGE B8-6 | SELECTION PAGE B8-9 | INTERCHANGE CHARTS PAGE B8-46 |
|--------------------------------|---------------------------|------------------------|----------------------------------|

DIMENSIONS



S-2000 Pillow Block with Type E Dimensions 2-BOLT

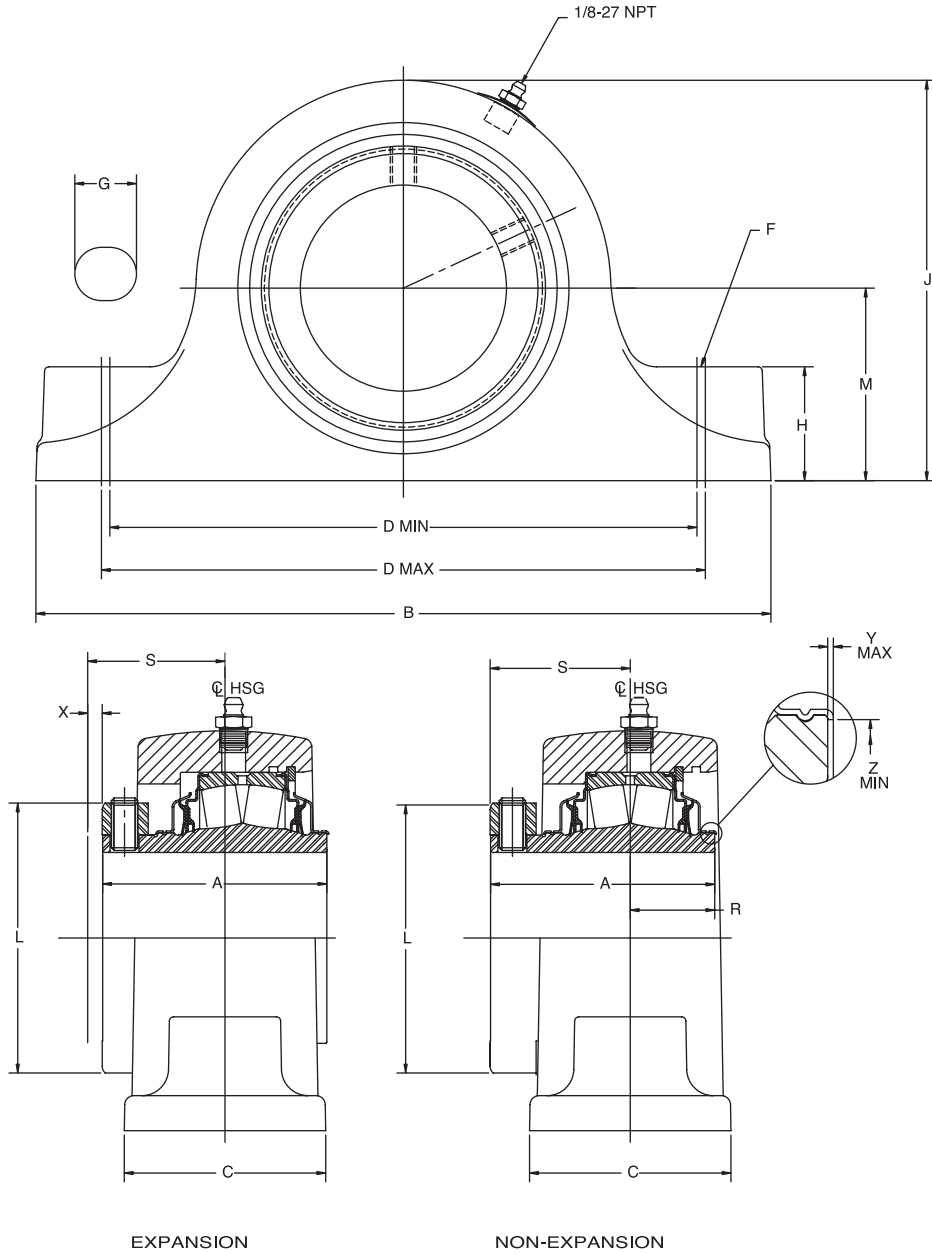
D-LOK

Type E Family

Specialty Tapered

S-2000

UNISPHERE II



| | | | |
|--------------------------------|---------------------------|------------------------|----------------------------------|
| FEATURES/BENEFITS PAGE B8-3 | HOW TO ORDER PAGE B8-6 | SELECTION PAGE B8-9 | INTERCHANGE CHARTS PAGE B8-46 |
|--------------------------------|---------------------------|------------------------|----------------------------------|

DIMENSIONS



S-2000 Pillow Block with Type E Dimensions 2-BOLT

| Bearing Series | Shaft Size* | TRIDENT Seal | | | | Labyrinth Seal | | | |
|----------------|-------------|---------------|--------------|---------------|---------------|----------------|--------------|---------------|---------------|
| | | Non Expansion | | Expansion | | Non Expansion | | Expansion | |
| | | Part No. | Part Name | Part No. | Part Name | Part No. | Part Name | Part No. | Part Name |
| 22208 | 1-3/8 | 071389 | EP2B-S2-106R | 071400 | EP2B-S2-106RE | 071411 | EP2B-S2-106L | 071422 | EP2B-S2-106LE |
| | 1-7/16 | 071390 | EP2B-S2-107R | 071401 | EP2B-S2-107RE | 071412 | EP2B-S2-107L | 071423 | EP2B-S2-107LE |
| 22209 | 1-11/16 | 071391 | EP2B-S2-111R | 071402 | EP2B-S2-111RE | 071413 | EP2B-S2-111L | 071424 | EP2B-S2-111LE |
| 22210 | 1-15/16 | 071392 | EP2B-S2-115R | 071403 | EP2B-S2-115RE | 071414 | EP2B-S2-115L | 071425 | EP2B-S2-115LE |
| | 2 | 071393 | EP2B-S2-200R | 071404 | EP2B-S2-200RE | 071415 | EP2B-S2-200L | 071426 | EP2B-S2-200LE |
| 22211 | 2-3/16 | 071394 | EP2B-S2-203R | 071405 | EP2B-S2-203RE | 071416 | EP2B-S2-203L | 071427 | EP2B-S2-203LE |
| 22213 | 2-7/16 | 071395 | EP2B-S2-207R | 071406 | EP2B-S2-207RE | 071417 | EP2B-S2-207L | 071428 | EP2B-S2-207LE |
| 22215 | 2-11/16 | 071396 | EP2B-S2-211R | 071407 | EP2B-S2-211RE | 071418 | EP2B-S2-211L | 071429 | EP2B-S2-211LE |
| | 2-15/16 | 071397 | EP2B-S2-215R | 071408 | EP2B-S2-215RE | 071419 | EP2B-S2-215L | 071430 | EP2B-S2-215LE |
| | 3 | 071398 | EP2B-S2-300R | 071409 | EP2B-S2-300RE | 071420 | EP2B-S2-300L | 071431 | EP2B-S2-300LE |
| 22218 | 3-7/16 | 071399 | EP2B-S2-307R | 071410 | EP2B-S2-307RE | 071421 | EP2B-S2-307L | 071432 | EP2B-S2-307LE |

*CONSULT DODGE FOR SIZES NOT LISTED

| SHAFT SIZE | A | B# | C# | D | | F BOLT DIA. | G# | H# | J# | L | M | R | S | X TOTAL EXP. | Y | Z | SET SCREW SIZE | S/S TORQUE IN/LBS |
|-------------------------|------|-------|------|-------|-------|-------------|------|------|------|------|-------|------|------|--------------|-------|------|----------------|-------------------|
| | | | | MIN | MAX | | | | | | | | | | | | | |
| 1-3/8 1-7/16 | 2.53 | 7.37 | 2.12 | 5.63 | 5.88 | 1/2 | 0.75 | 1.13 | 3.85 | 2.55 | 1.875 | 1.03 | 1.50 | 0.16 | 0.020 | 1.80 | 5/16-18 | 165 |
| 1-11/16 | 2.67 | 7.88 | 2.38 | 6.13 | 6.38 | 1/2 | 0.75 | 1.25 | 4.25 | 3.01 | 2.125 | 0.98 | 1.69 | 0.19 | 0.020 | 2.08 | 5/16-18 | 165 |
| 1-15/16 2 | 2.84 | 8.87 | 2.49 | 6.88 | 7.12 | 5/8 | 0.88 | 1.31 | 4.47 | 3.44 | 2.250 | 1.08 | 1.76 | 0.22 | 0.020 | 2.30 | 3/8-16 | 290 |
| 2-3/16 | 2.94 | 9.62 | 2.56 | 7.63 | 7.88 | 5/8 | 0.88 | 1.50 | 5.00 | 3.50 | 2.500 | 1.06 | 1.88 | 0.25 | 0.025 | 2.60 | 3/8-16 | 290 |
| 2-7/16 | 3.20 | 10.50 | 2.87 | 8.38 | 8.62 | 5/8 | 0.88 | 1.63 | 5.71 | 4.06 | 2.750 | 1.20 | 2.00 | 0.25 | 0.025 | 2.95 | 3/8-16 | 290 |
| 2-11/16 2-15/16 3 | 3.59 | 12.00 | 2.99 | 9.31 | 9.69 | 3/4 | 1.07 | 1.88 | 6.32 | 4.61 | 3.125 | 1.34 | 2.25 | 0.25 | 0.025 | 3.47 | 1/2-13 | 620 |
| 3-7/16 | 4.01 | 14.00 | 3.49 | 10.81 | 11.19 | 7/8 | 1.19 | 2.25 | 7.69 | 5.50 | 3.750 | 1.51 | 2.50 | 0.25 | 0.025 | 4.05 | 1/2-13 | 620 |

NOTES: "A" AND "R" DIMENSIONS DO NOT INCLUDE "Y" DIMENSION

REFERENCE DIMENSION ONLY

| | | | |
|--------------------------------|---------------------------|------------------------|----------------------------------|
| FEATURES/BENEFITS PAGE B8-3 | HOW TO ORDER PAGE B8-6 | SELECTION PAGE B8-9 | INTERCHANGE CHARTS PAGE B8-46 |
|--------------------------------|---------------------------|------------------------|----------------------------------|

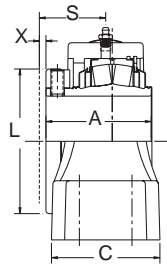
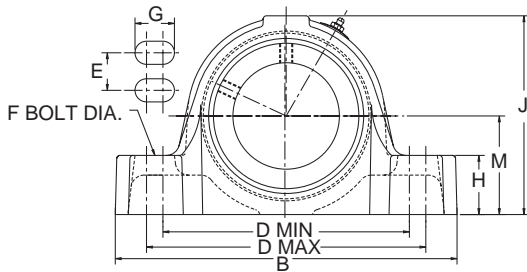


DIMENSIONS



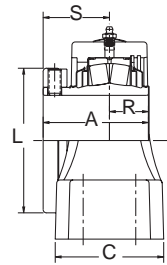
S-2000 Pillow Block 4-BOLT BASE

NOTE: All sizes use a 1/8-27
NPT hydraulic
grease fitting



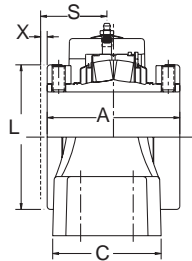
1-15/16 TRU 3-15/16"
CONSTRUCTION

EXPANSION



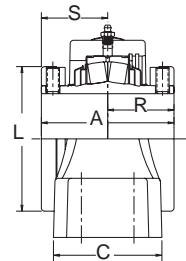
1-15/16 TRU 3-15/16"
CONSTRUCTION

NON-EXPANSION



4-7/16 THRU 4-15/16"
CONSTRUCTION

EXPANSION



4-7/16 THRU 4-15/16"
CONSTRUCTION

NON-EXPANSION

D-LOK

Type E Family

Specialty Tapered

S-2000

UNISPHERE II

FEATURES/BENEFITS
PAGE B8-3

HOW TO ORDER
PAGE B8-6

SELECTION
PAGE B8-9

INTERCHANGE CHARTS
PAGE B8-46

DIMENSIONS



S-2000 Pillow Block 4-BOLT BASE

| Bearing | Shaft Size Inch | TRIDENT Seal | | | | Labyrinth Seal | | | |
|---------|--------------------|---------------|-------------|---------------|--------------|----------------|-------------|---------------|--------------|
| | | Non-Expansion | | Expansion | | Non-Expansion | | Expansion | |
| | | Part No. | Part Name | Part No. | Part Name | Part No. | Part Name | Part No. | Part Name |
| 22210 | 1-15/16 2 | 070361 | P4B-S2-115R | 070379 | P4B-S2-115RE | 070397 | P4B-S2-115L | 070415 | P4B-S2-115LE |
| | | 070362 | P4B-S2-200R | 070380 | P4B-S2-200RE | 070398 | P4B-S2-200L | 070416 | P4B-S2-200LE |
| 22211 | 2-3/16 | 070363 | P4B-S2-203R | 070381 | P4B-S2-203RE | 070399 | P4B-S2-203L | 070417 | P4B-S2-203LE |
| 22213 | 2-7/16 | 070365 | P4B-S2-207R | 070383 | P4B-S2-207RE | 070401 | P4B-S2-207L | 070419 | P4B-S2-207LE |
| 22215 | 2-11/16 | 070367 | P4B-S2-211R | 070385 | P4B-S2-211RE | 070403 | P4B-S2-211L | 070421 | P4B-S2-211LE |
| | 2-15/16 | 070368 | P4B-S2-215R | 070386 | P4B-S2-215RE | 070404 | P4B-S2-215L | 070422 | P4B-S2-215LE |
| | 3 | 070369 | P4B-S2-300R | 070387 | P4B-S2-300RE | 070405 | P4B-S2-300L | 070423 | P4B-S2-300LE |
| 22218 | 3-7/16 | 070371 | P4B-S2-307R | 070389 | P4B-S2-307RE | 070407 | P4B-S2-307L | 070425 | P4B-S2-307LE |
| 22220 | 3-15/16 | 070373 | P4B-S2-315R | 070391 | P4B-S2-315RE | 070409 | P4B-S2-315L | 070427 | P4B-S2-315LE |
| 22222 | 4-7/16 | 070375 | P4B-S2-407R | 070393 | P4B-S2-407RE | 070411 | P4B-S2-407L | 070429 | P4B-S2-407LE |
| 22226 | 4-15/16 | 070377 | P4B-S2-415R | 070395 | P4B-S2-415RE | 070413 | P4B-S2-415L | 070431 | P4B-S2-415LE |

| SHAFT SIZE | A | B | C | D | | E | F BOLT DIA. | G | H | J | L | M | R | S | X TOTAL EXP. |
|--------------|---------|---------|--------|---------|---------|---------|-------------|-------|--------|---------|---------|-------|---------|---------|--------------|
| | | | | MIN | MAX | | | | | | | | | | |
| 1-15/16 2 | 2-27/32 | 8 | 3-3/16 | 6-1/16 | 6-7/16 | 1-19/32 | 1/2 | 13/16 | 1-5/16 | 4-9/16 | 3-7/16 | 2-1/4 | 27/32 | 2 | 1/4 |
| 2-3/16 | 2-15/16 | 8-7/8 | 3-1/4 | 6-9/16 | 6-15/16 | 1-11/16 | 1/2 | 13/16 | 1-1/2 | 5 | 3-3/4 | 2-1/2 | 29/32 | 2-1/32 | 1/4 |
| 2-7/16 | 3-13/64 | 9-1/4 | 3-3/8 | 6-15/16 | 7-5/16 | 1-3/4 | 1/2 | 13/16 | 1-5/8 | 5-19/32 | 4-1/16 | 2-3/4 | 1-5/64 | 2-1/8 | 1/4 |
| 2-11/16 | | | | | | | | | | | | | | | |
| 2-15/16 3 | 3-19/32 | 10-7/16 | 3-3/4 | 7-15/16 | 8-5/16 | 1-7/8 | 5/8 | 15/16 | 1-7/8 | 6-7/16 | 4-45/64 | 3-1/4 | 1-3/32 | 2-1/2 | 1/4 |
| 3-7/16 | 4-1/64 | 13 | 4-1/8 | 9-3/8 | 10-5/8 | 2 | 3/4 | 1-1/2 | 2-1/4 | 7-9/16 | 5-1/2 | 3-3/4 | 1-7/16 | 2-37/64 | 1/4 |
| 3-15/16 | 4-15/32 | 15-1/4 | 4-1/2 | 12-1/8 | 12-7/8 | 2-1/4 | 3/4 | 1-1/4 | 2-7/16 | 8-7/16 | 6 | 4-1/4 | 1-41/64 | 2-53/64 | 5/16 |
| 4-7/16 | 6-17/32 | 16-1/2 | 4-3/4 | 13 | 14 | 2-1/2 | 3/4 | 1-3/8 | 2-3/4 | 9-5/8 | 6-29/64 | 4-3/4 | 3-5/64 | 3-29/64 | 3/8 |
| 4-15/16 | 6-29/32 | 18-5/8 | 5-3/8 | 15 | 16 | 2-3/4 | 7/8 | 1-1/2 | 3 | 11-1/8 | 7-29/64 | 5-1/2 | 3-17/64 | 3-41/64 | 3/8 |

| | | | |
|--------------------------------|---------------------------|------------------------|----------------------------------|
| FEATURES/BENEFITS PAGE B8-3 | HOW TO ORDER PAGE B8-6 | SELECTION PAGE B8-9 | INTERCHANGE CHARTS PAGE B8-46 |
|--------------------------------|---------------------------|------------------------|----------------------------------|



DIMENSIONS



S-2000 Pillow Block with Type E Dimensions 4-BOLT

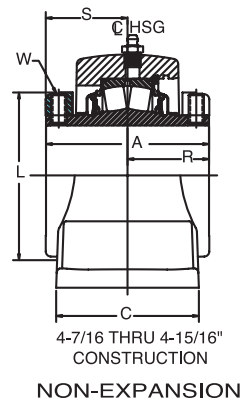
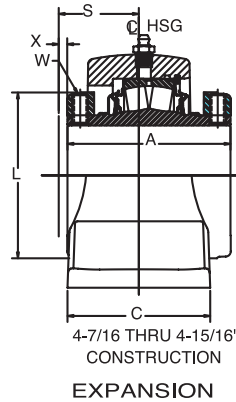
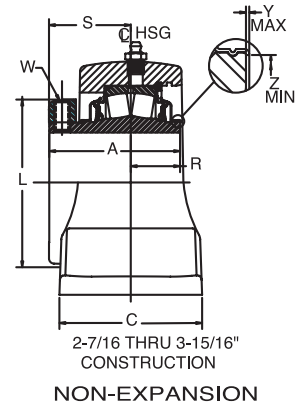
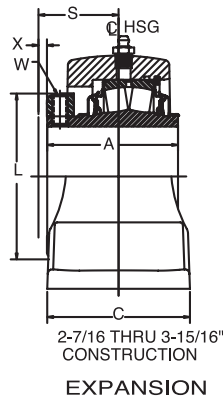
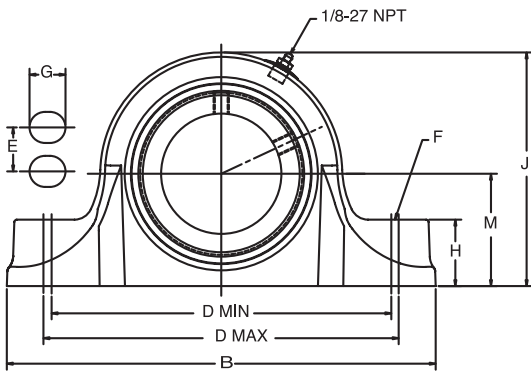
D-LOK

Type E Family

Specialty Tapered

S-2000

UNISPHERE II



| | | | |
|--------------------------------|---------------------------|------------------------|----------------------------------|
| FEATURES/BENEFITS PAGE B8-3 | HOW TO ORDER PAGE B8-6 | SELECTION PAGE B8-9 | INTERCHANGE CHARTS PAGE B8-46 |
|--------------------------------|---------------------------|------------------------|----------------------------------|

DIMENSIONS



S-2000 Pillow Block with Type E Dimensions 4-BOLT

| Bearing Series | Shaft Size* | TRIDENT Seal | | | | Labyrinth Seal | | | |
|----------------|-------------|---------------|--------------|---------------|---------------|----------------|--------------|---------------|---------------|
| | | Non Expansion | | Expansion | | Non Expansion | | Expansion | |
| | | Part No. | Part Name | Part No. | Part Name | Part No. | Part Name | Part No. | Part Name |
| 22213 | 2-7/16 | 071433 | EP4B-S2-207R | 071441 | EP4B-S2-207RE | 071449 | EP4B-S2-207L | 071457 | EP4B-S2-207LE |
| 22215 | 2-11/16 | 071434 | EP4B-S2-211R | 071442 | EP4B-S2-211RE | 071450 | EP4B-S2-211L | 071458 | EP4B-S2-211LE |
| | 2-15/16 | 071435 | EP4B-S2-215R | 071443 | EP4B-S2-215RE | 071451 | EP4B-S2-215L | 071459 | EP4B-S2-215LE |
| | 3 | 071436 | EP4B-S2-300R | 071444 | EP4B-S2-300RE | 071452 | EP4B-S2-300L | 071460 | EP4B-S2-300LE |
| 22218 | 3-7/16 | 071437 | EP4B-S2-307R | 071445 | EP4B-S2-307RE | 071453 | EP4B-S2-307L | 071461 | EP4B-S2-307LE |
| 22220 | 3-15/16 | 071438 | EP4B-S2-315R | 071446 | EP4B-S2-315RE | 071454 | EP4B-S2-315L | 071462 | EP4B-S2-315LE |
| 22222 | 4-7/16 | 071439 | EP4B-S2-407R | 071447 | EP4B-S2-407RE | 071455 | EP4B-S2-407L | 071463 | EP4B-S2-407LE |
| 22226 | 4-15/16 | 071440 | EP4B-S2-415R | 071448 | EP4B-S2-415RE | 071456 | EP4B-S2-415L | 071464 | EP4B-S2-415LE |

*CONSULT DODGE FOR SIZES NOT LISTED

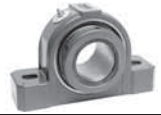
| SHAFT SIZE | A | B# | C# | D | | E | F BOLT DIA. | G # | H # | J # | L | M | R | S | X TOTAL EXP. | | Z | SET SCREW SIZE | S/S TORQUE IN/LBS |
|--------------|------|-------|------|-------|-------|------|-------------|------|------|-------|------|-------|------|------|--------------|-------|------|----------------|-------------------|
| | | | | MIN | MAX | | | | | | | | | | Y | Z | | | |
| 2-7/16 | 3.20 | 10.50 | 3.49 | 8.31 | 8.69 | 1.87 | 5/8 | 0.87 | 1.63 | 5.72 | 4.06 | 2.750 | 1.20 | 2.00 | 0.25 | 0.025 | 2.94 | 3/8 | 290 |
| 2-11/16 | 3.59 | 12.00 | 4.00 | 9.18 | 9.82 | 2.13 | 5/8 | 1.00 | 1.88 | 6.33 | 4.61 | 3.125 | 1.34 | 2.25 | 0.25 | 0.025 | 3.47 | 1/2 | 620 |
| 2-15/16 3 | | | | | | | | | | | | | | | | | | | |
| 3-7/16 | 4.01 | 13.50 | 4.49 | 10.75 | 11.25 | 2.37 | 3/4 | 1.13 | 2.25 | 7.69 | 5.50 | 3.750 | 1.51 | 2.50 | 0.25 | 0.025 | 4.05 | 1/2 | 620 |
| 3-15/16 | 4.47 | 15.25 | 4.50 | 12.25 | 12.75 | 2.25 | 3/4 | 1.13 | 2.44 | 8.70 | 6.00 | 4.250 | 1.34 | 3.13 | 0.31 | 0.025 | 4.50 | 5/8 | 1325 |
| 4-7/16 | 6.53 | 16.63 | 4.63 | 13.25 | 13.75 | 2.50 | 3/4 | 1.13 | 2.75 | 9.67 | 6.45 | 4.750 | 3.08 | 3.38 | 0.38 | N/A | N/A | 5/8 | 1325 |
| 4-15/16 | 6.91 | 18.50 | 5.13 | 15.25 | 15.75 | 2.87 | 7/8 | 1.25 | 3.00 | 11.16 | 7.45 | 5.500 | 3.29 | 3.62 | 0.38 | N/A | N/A | 5/8 | 1325 |

NOTES: "A" AND "R" DIMENSIONS DO NOT INCLUDE "Y" DIMENSION

REFERENCE DIMENSION ONLY

| | | | |
|--------------------------------|---------------------------|------------------------|----------------------------------|
| FEATURES/BENEFITS PAGE B8-3 | HOW TO ORDER PAGE B8-6 | SELECTION PAGE B8-9 | INTERCHANGE CHARTS PAGE B8-46 |
|--------------------------------|---------------------------|------------------------|----------------------------------|

DIMENSIONS



S-2000 Flange Bearing - Round

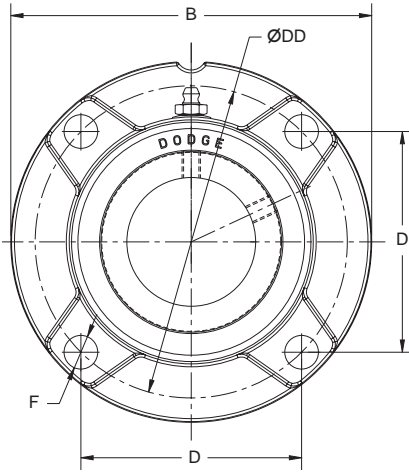
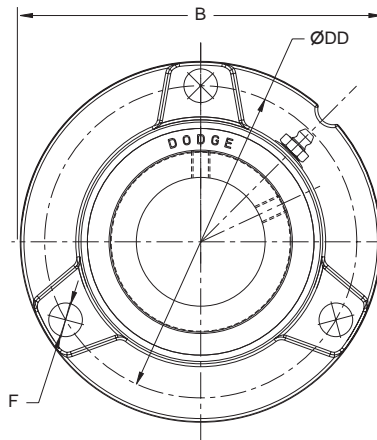
D-LOK

Type E Family

Specialty Tapered

S-2000

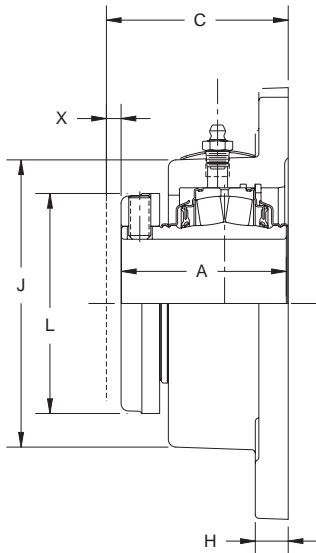
UNISPHERE II



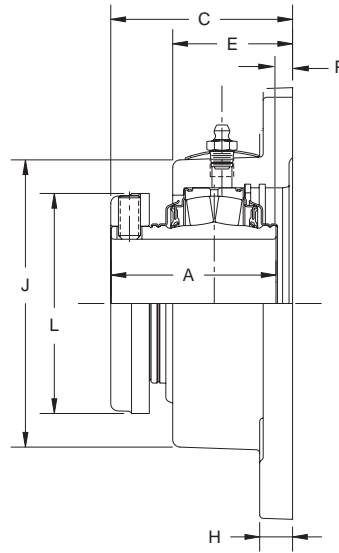
NOTE: All sizes use a 1/8-27 NPT hydraulic grease fitting

1-3/8" THRU 1-1/2"
CONSTRUCTION

1-11/16" - 3"
CONSTRUCTION



EXPANSION



NON-EXPANSION

FEATURES/BENEFITS
PAGE B8-3

HOW TO ORDER
PAGE B8-6

SELECTION
PAGE B8-9

INTERCHANGE CHARTS
PAGE B8-46

DIMENSIONS



S-2000 Flange Bearing - Round

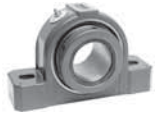
| Bearing | Shaft Size Inch | TRIDENT Seal | | | | Labyrinth Seal | | | |
|---------|--------------------|---------------|-------------|---------------|--------------|----------------|-------------|---------------|--------------|
| | | Non-Expansion | | Expansion | | Non-Expansion | | Expansion | |
| | | Part No. | Part Name | Part No. | Part Name | Part No. | Part Name | Part No. | Part Name |
| 22208 | 1 - 3/8 | 070436 | F3R-S2-106R | 070470 | F3R-S2-106RE | 070491 | F3R-S2-106L | 070523 | F3R-S2-106LE |
| | 1 - 7/16 | 070437 | F3R-S2-107R | 070471 | F3R-S2-107RE | 070492 | F3R-S2-107L | 070524 | F3R-S2-107LE |
| | 1 - 1/2 | 070438 | F3R-S2-108R | 070472 | F3R-S2-108RE | 070493 | F3R-S2-108L | 070525 | F3R-S2-108LE |
| 22209 | 1 - 11/16 | 070440 | F4R-S2-111R | 070474 | F4R-S2-111RE | 070495 | F4R-S2-111L | 070527 | F4R-S2-111LE |
| | 1 - 3/4 | 070441 | F4R-S2-112R | 070475 | F4R-S2-112RE | 070496 | F4R-S2-112L | 070528 | F4R-S2-112LE |
| 22210 | 1 - 15/16 | 070442 | F4R-S2-115R | 070476 | F4R-S2-115RE | 070497 | F4R-S2-115L | 070529 | F4R-S2-115LE |
| | 2 | 070443 | F4R-S2-200R | 070477 | F4R-S2-200RE | 070498 | F4R-S2-200L | 070530 | F4R-S2-200LE |
| 22211 | 2 - 3/16 | 070444 | F4R-S2-203R | 070478 | F4R-S2-203RE | 070499 | F4R-S2-203L | 070531 | F4R-S2-203LE |
| 22213 | 2-7/16 | 070446 | F4R-S2-207R | 070480 | F4R-S2-207RE | 070501 | F4R-S2-207L | 070533 | F4R-S2-207LE |
| 22215 | 2-11/16 | 070448 | F4R-S2-211R | 070482 | F4R-S2-211RE | 070503 | F4R-S2-211L | 070535 | F4R-S2-211LE |
| | 2-15/16 | 070449 | F4R-S2-215R | 070483 | F4R-S2-215RE | 070504 | F4R-S2-215L | 070536 | F4R-S2-215LE |
| | 3 | 070450 | F4R-S2-300R | 070484 | F4R-S2-300RE | 070505 | F4R-S2-300L | 070537 | F4R-S2-300LE |

| SHAFT SIZE | A | B | C | D | DD | E | F BOLT DIA. | H | J | L | P | X TOTAL EXP. |
|------------|-----------|-----------|-----------|-----------|---------|-----------|-------------|-------|-----------|----------|-------|--------------|
| 1 - 3/8 | | | | | | | | | | | | |
| 1 - 7/16 | 2 - 17/32 | 5 - 7/8 | 2 - 49/64 | 3 - 17/32 | 5 | 1 - 51/64 | 1/2* | 1/2 | 3 - 27/32 | 2 - 3/4 | 15/64 | 3/16 |
| 1 - 1/2 | | | | | | | | | | | | |
| 1 - 11/16 | 2-43/64 | 6-3/8 | 2-31/32 | 3-57/64 | 5-1/2 | 1-57/64 | 1/2** | 1/2 | 4-11/32 | 3-3/16 | 19/64 | 1/4 |
| 1 - 3/4 | | | | | | | | | | | | |
| 1 - 15/16 | 2 - 27/32 | 6 - 11/16 | 3 - 9/64 | 4 - 1/16 | 5 - 3/4 | 1 - 59/64 | 1/2** | 9/16 | 4 - 19/32 | 3 - 7/16 | 19/64 | 1/4 |
| 2 | | | | | | | | | | | | |
| 2 - 3/16 | 2 - 15/16 | 7 - 3/8 | 3 - 15/64 | 4 - 1/2 | 6 - 3/8 | 2 - 3/64 | 5/8** | 9/16 | 4 - 63/64 | 3 - 3/4 | 19/64 | 1/4 |
| 2-7/16 | 3-13/64 | 7-3/4 | 3-1/2 | 4-49/64 | 6-3/4 | 2-3/8 | 5/8** | 49/64 | 5-1/2 | 4-1/16 | 19/64 | 1/4 |
| 2-11/16 | | | | | | | | | | | | |
| 2-15/16 | 3-19/32 | 9-1/4 | 3-57/64 | 5-9/16 | 7-7/8 | 2-25/64 | 3/4** | 7/8 | 6-23/64 | 4-45/64 | 19/64 | 1/4 |
| 3 | | | | | | | | | | | | |

* 3 Equally spaced bolt holes

** 4 Equally spaced bolt holes

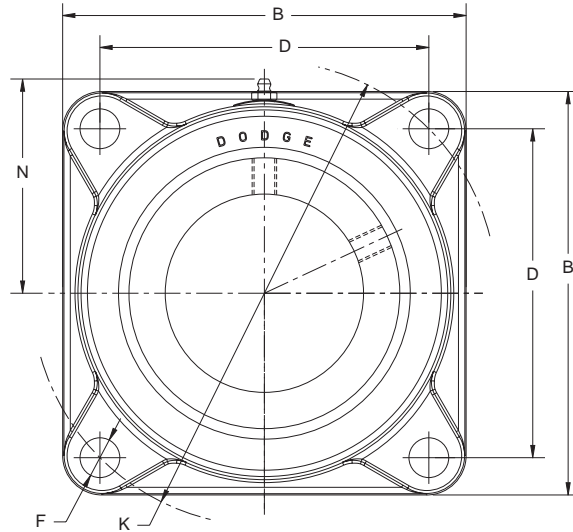
| | | | |
|--------------------------------|---------------------------|------------------------|----------------------------------|
| FEATURES/BENEFITS PAGE B8-3 | HOW TO ORDER PAGE B8-6 | SELECTION PAGE B8-9 | INTERCHANGE CHARTS PAGE B8-46 |
|--------------------------------|---------------------------|------------------------|----------------------------------|



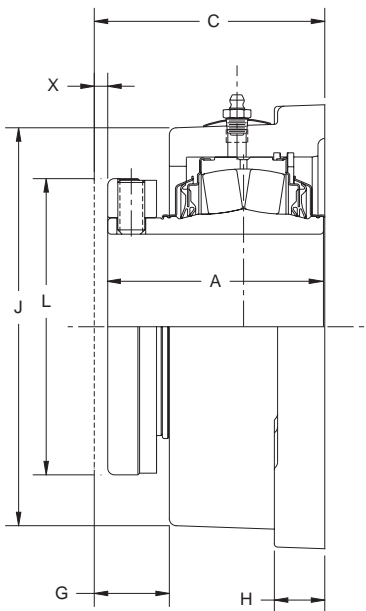
DIMENSIONS



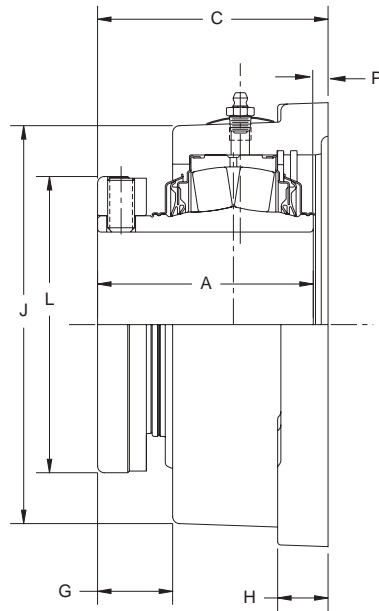
S-2000 Flange Bearing - Square



NOTE: All sizes use a 1/8-27 NPT hydraulic grease fitting



EXPANSION



NON-EXPANSION

D-LOK

Type E Family

Specialty Tapered

S-2000

UNISPHERE II

| | | | |
|--------------------------------|---------------------------|------------------------|----------------------------------|
| FEATURES/BENEFITS PAGE B8-3 | HOW TO ORDER PAGE B8-6 | SELECTION PAGE B8-9 | INTERCHANGE CHARTS PAGE B8-46 |
|--------------------------------|---------------------------|------------------------|----------------------------------|

DIMENSIONS



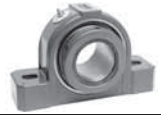
S-2000 Flange Bearing - Square

| Bearing | Shaft Size Inch | TRIDENT Seal | | | | Labyrinth Seal | | | |
|---------|--------------------|---------------|-------------|---------------|--------------|----------------|-------------|---------------|--------------|
| | | Non-Expansion | | Expansion | | Non-Expansion | | Expansion | |
| | | Part No. | Part Name | Part No. | Part Name | Part No. | Part Name | Part No. | Part Name |
| 22208 | 1-3/8 | 070541 | F4S-S2-106R | 070564 | F4S-S2-106RE | 070600 | F4S-S2-106L | 070853 | F4S-S2-106LE |
| | 1-7/16 | 070542 | F4S-S2-107R | 070565 | F4S-S2-107RE | 070601 | F4S-S2-107L | 070854 | F4S-S2-107LE |
| | 1-1/2 | 070543 | F4S-S2-108R | 070566 | F4S-S2-108RE | 070602 | F4S-S2-108L | 070855 | F4S-S2-108LE |
| 22209 | 1-11/16 | 070545 | F4S-S2-111R | 070568 | F4S-S2-111RE | 070604 | F4S-S2-111L | 070857 | F4S-S2-111LE |
| | 1-3/4 | 070546 | F4S-S2-112R | 070569 | F4S-S2-112RE | 070605 | F4S-S2-112L | 070858 | F4S-S2-112LE |
| 22210 | 1-15/16 | 070547 | F4S-S2-115R | 070570 | F4S-S2-115RE | 070606 | F4S-S2-115L | 070859 | F4S-S2-115LE |
| | 2 | 070548 | F4S-S2-200R | 070571 | F4S-S2-200RE | 070607 | F4S-S2-200L | 070860 | F4S-S2-200LE |
| 22211 | 2-3/16 | 070549 | F4S-S2-203R | 070572 | F4S-S2-203RE | 070608 | F4S-S2-203L | 070861 | F4S-S2-203LE |
| 22213 | 2-7/16 | 070551 | F4S-S2-207R | 070574 | F4S-S2-207RE | 070610 | F4S-S2-207L | 070863 | F4S-S2-207LE |
| 22215 | 2-11/16 | 070553 | F4S-S2-211R | 070576 | F4S-S2-211RE | 070612 | F4S-S2-211L | 070865 | F4S-S2-211LE |
| | 2-15/16 | 070554 | F4S-S2-215R | 070577 | F4S-S2-215RE | 070613 | F4S-S2-215L | 070866 | F4S-S2-215LE |
| | 3 | 070555 | F4S-S2-300R | 070578 | F4S-S2-300RE | 070614 | F4S-S2-300L | 070867 | F4S-S2-300LE |
| 22218 | 3-7/16 | 070557 | F4S-S2-307R | 070580 | F4S-S2-307RE | 070616 | F4S-S2-307L | 070869 | F4S-S2-307LE |
| 22220 | 3-15/16 | 070559 | F4S-S2-315R | 070582 | F4S-S2-315RE | 070618 | F4S-S2-315L | 070871 | F4S-S2-315LE |

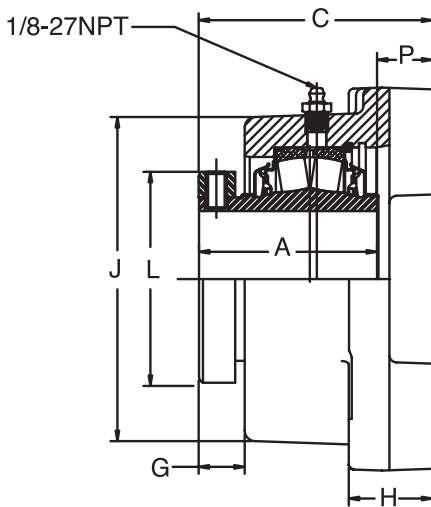
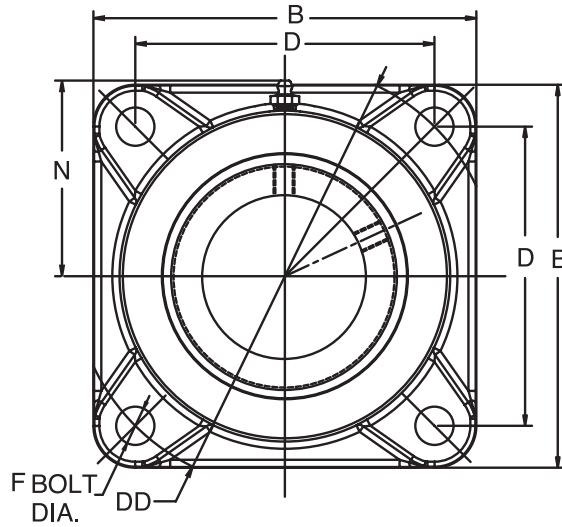
| SHAFT SIZE | A | B | C | D | F BOLT DIA | G | H | J | K | L | N | P | X TOTAL EXP. |
|--------------------------|--------------------|----------------|-------------------|--------------------|------------|-------------------|-----------------|-------------------|-----------------|-----------------|--------------------|--------------|--------------|
| 1-3/8 1-7/16 1-1/2 | 2-17/32 | 4-3/4 | 2-49/64 | 3-17/32 | 1/2 | 63/64 | 1/2 | 3-13/16 | 5 | 2-3/4 | 2-31/64 | 15/64 | 3/16 |
| 1-11/16 1-3/4 | 2-43/64 | 5-1/8 | 2-31/32 | 3-57/64 | 1/2 | 1-5/64 | 1/2 | 4-13/32 | 5-1/2 | 3-3/16 | 2-25/32 | 19/64 | 1/4 |
| 1-15/16 2 | 2-27/32 | 5-19/64 | 3-5/32 | 4-1/16 | 1/2 | 1-15/64 | 9/16 | 4-31/32 | 5-3/4 | 3-7/16 | 2-29/32 | 5/16 | 1/4 |
| 2-3/16 2-7/16 | 2-15/16 3-13/64 | 5-7/8 6-1/8 | 3-1/4 3-33/64 | 4-33/64 4-25/32 | 5/8 5/8 | 1-13/64 1-9/64 | 9/16 41/64 | 5-1/64 5-5/8 | 6-3/8 6-3/4 | 3-3/4 4-1/16 | 3-3/32 3-13/32 | 5/16 5/16 | 1/4 1/4 |
| 2-11/16 2-15/16 3 | 3-19/32 | 7-3/16 | 3-29/32 | 5-9/16 | 3/4 | 1-33/64 | 3/4 | 6-1/2 | 7-7/8 | 4-45/64 | 3-27/32 | 5/16 | 1/4 |
| 3-7/16 3-15/16 | 4 4-15/32 | 8-1/4 9-1/4 | 4-5/16 4-27/32 | 6-23/32 7-39/64 | 3/4 7/8 | 1-7/16 1-35/64 | 15/16 1-1/16 | 7-31/64 8-7/32 | 9-1/2 10-3/4 | 5-1/2 6 | 4-21/64 4-45/64 | 5/16 3/8 | 1/4 5/16 |

| | | | |
|--------------------------------|---------------------------|------------------------|----------------------------------|
| FEATURES/BENEFITS PAGE B8-3 | HOW TO ORDER PAGE B8-6 | SELECTION PAGE B8-9 | INTERCHANGE CHARTS PAGE B8-46 |
|--------------------------------|---------------------------|------------------------|----------------------------------|

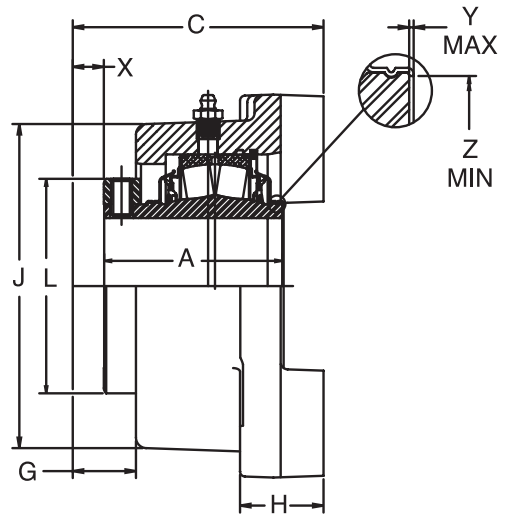
DIMENSIONS



S-2000 Flange Bearing - Square with Type E Dimensions



NON-EXPANSION



EXPANSION

FEATURES/BENEFITS
PAGE B8-3

HOW TO ORDER
PAGE B8-6

SELECTION
PAGE B8-9

INTERCHANGE CHARTS
PAGE B8-46

DIMENSIONS



S-2000 Flange Bearing - Square with Type E Dimensions

| Bearing Series | Shaft Size* | TRIDENT Seal | | | | Labyrinth Seal | | | |
|----------------|-------------|---------------|--------------|---------------|---------------|----------------|--------------|---------------|---------------|
| | | Non Expansion | | Expansion | | Non Expansion | | Expansion | |
| | | Part No. | Part Name | Part No. | Part Name | Part No. | Part Name | Part No. | Part Name |
| 22208 | 1-3/8 | 071469 | EF4B-S2-106R | 071482 | EF4B-S2-106RE | 071495 | EF4B-S2-106L | 071508 | EF4B-S2-106LE |
| | 1-7/16 | 071470 | EF4B-S2-107R | 071483 | EF4B-S2-107RE | 071496 | EF4B-S2-107L | 071509 | EF4B-S2-107LE |
| 22209 | 1-11/16 | 071471 | EF4B-S2-111R | 071484 | EF4B-S2-111RE | 071497 | EF4B-S2-111L | 071510 | EF4B-S2-111LE |
| 22210 | 1-15/16 | 071472 | EF4B-S2-115R | 071485 | EF4B-S2-115RE | 071498 | EF4B-S2-115L | 071511 | EF4B-S2-115LE |
| | 2 | 071473 | EF4B-S2-200R | 071486 | EF4B-S2-200RE | 071499 | EF4B-S2-200L | 071512 | EF4B-S2-200LE |
| 22211 | 2-3/16 | 071474 | EF4B-S2-203R | 071487 | EF4B-S2-203RE | 071500 | EF4B-S2-203L | 071513 | EF4B-S2-203LE |
| 22213 | 2-7/16 | 071475 | EF4B-S2-207R | 071488 | EF4B-S2-207RE | 071501 | EF4B-S2-207L | 071514 | EF4B-S2-207LE |
| | 2-11/16 | 071476 | EF4B-S2-211R | 071489 | EF4B-S2-211RE | 071502 | EF4B-S2-211L | 071515 | EF4B-S2-211LE |
| 22215 | 2-15/16 | 071477 | EF4B-S2-215R | 071490 | EF4B-S2-215RE | 071503 | EF4B-S2-215L | 071516 | EF4B-S2-215LE |
| | 3 | 071478 | EF4B-S2-300R | 071491 | EF4B-S2-300RE | 071504 | EF4B-S2-300L | 071517 | EF4B-S2-300LE |
| 22218 | 3-7/16 | 071479 | EF4B-S2-307R | 071492 | EF4B-S2-307RE | 071505 | EF4B-S2-307L | 071518 | EF4B-S2-307LE |
| 22220 | 3-15/16 | 071480 | EF4B-S2-315R | 071493 | EF4B-S2-315RE | 071506 | EF4B-S2-315L | 071519 | EF4B-S2-315LE |
| 22222 | 4-7/16 | 071481 | EF4B-S2-407R | 071494 | EF4B-S2-407RE | 071507 | EF4B-S2-407L | 071520 | EF4B-S2-407LE |

*CONSULT DODGE FOR SIZES NOT LISTED

| SHAFT SIZE | A | B # | C # | D | DD | F BOLT DIA. | G | H # | J # | L | N | P | X TOTAL EXP. | Y | Z | SET SCREW SIZE | S/S TORQUE IN/LBS |
|-----------------|------|-------|------|------|--------|-------------|------|------|------|------|------|------|--------------|-------|------|----------------|-------------------|
| 1-3/8 1-7/16 | 2.53 | 4.62 | 3.06 | 3.50 | 4.950 | 1/2 | 0.57 | 1.06 | 3.88 | 2.55 | 2.34 | 0.53 | 0.16 | 0.020 | 1.80 | 5/16-18 | 165 |
| 1-11/16 | 2.67 | 5.37 | 3.50 | 4.13 | 5.834 | 1/2 | 0.53 | 1.19 | 4.18 | 3.01 | 2.51 | 0.84 | 0.19 | 0.020 | 2.08 | 5/16-18 | 165 |
| 1-15/16 2 | 2.84 | 5.62 | 3.63 | 4.37 | 6.187 | 1/2 | 0.65 | 1.18 | 4.36 | 3.44 | 2.60 | 0.78 | 0.22 | 0.020 | 2.30 | 3/8-16 | 290 |
| 2-3/16 | 2.94 | 6.25 | 3.87 | 4.87 | 6.894 | 5/8 | 0.60 | 1.38 | 4.88 | 3.50 | 2.88 | 0.93 | 0.25 | 0.025 | 2.60 | 3/8-16 | 290 |
| 2-7/16 | 3.20 | 6.88 | 4.19 | 5.37 | 7.601 | 5/8 | 0.83 | 1.50 | 5.81 | 4.06 | 3.32 | 0.98 | 0.25 | 0.025 | 2.95 | 3/8-16 | 290 |
| 2-11/16 | 3.59 | 7.76 | 4.69 | 6.00 | 8.485 | 3/4 | 0.88 | 1.61 | 6.30 | 4.61 | 3.58 | 1.09 | 0.25 | 0.025 | 3.47 | 1/2-13 | 620 |
| 2-15/16 3 | | | | | | | | | | | | | | | | | |
| 3-7/16 | 4.01 | 9.25 | 5.25 | 7.00 | 9.899 | 3/4 | 0.96 | 1.87 | 7.44 | 5.50 | 4.15 | 1.24 | 0.25 | 0.025 | 4.05 | 1/2-13 | 620 |
| 3-15/16 | 4.48 | 10.25 | 6.50 | 7.75 | 10.960 | 7/8 | 1.00 | 2.12 | 8.27 | 6.00 | 4.58 | 2.02 | 0.31 | 0.025 | 4.50 | 5/8-11 | 1325 |
| 4-7/16 | 6.53 | 10.88 | 7.10 | 8.75 | 12.374 | 7/8 | 1.39 | 2.43 | 9.13 | 6.45 | 5.01 | 0.56 | 0.38 | N/A | N/A | 5/8-11 | 1325 |

NOTE(S): "P" DIMENSION IS FOR NON-EXPANSION ONLY

"A" AND "P" DIMENSIONS DO NOT INCLUDE "Y" DIMENSION

- REFERENCE DIMENSIONS ONLY

| | | | |
|--------------------------------|---------------------------|------------------------|----------------------------------|
| FEATURES/BENEFITS PAGE B8-3 | HOW TO ORDER PAGE B8-6 | SELECTION PAGE B8-9 | INTERCHANGE CHARTS PAGE B8-46 |
|--------------------------------|---------------------------|------------------------|----------------------------------|



DIMENSIONS



S-2000 Piloted Flange

D-LOK

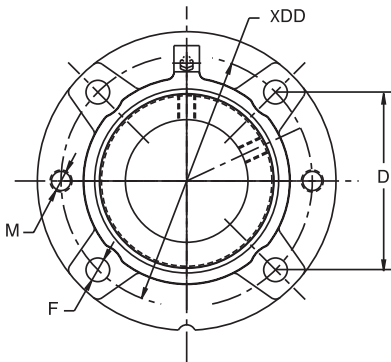
Type E Family

Specialty Tapered

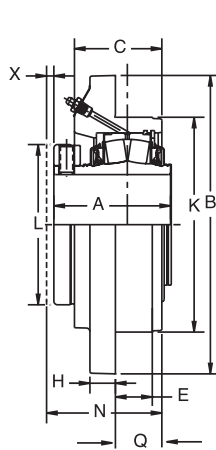
S-2000

UNISPHERE II

NOTE: All sizes use a 1/8-27 NPT hydraulic grease fitting

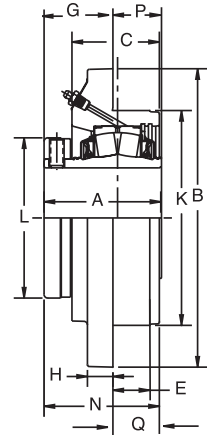


NOTE: 4-7/16 & 4-15/16 sizes have 6 evenly spaced mounting holes



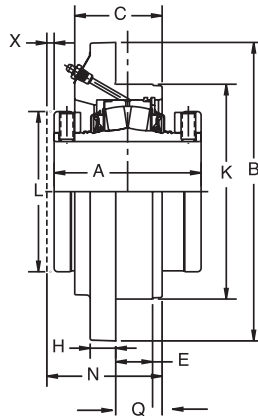
1-3/8 THRU 3-15/16"
CONSTRUCTION

EXPANSION



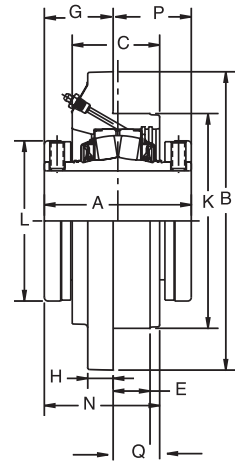
1-3/8 THRU 3-15/16"
CONSTRUCTION

NON-EXPANSION



4-7/16 THRU 4-15/16"
CONSTRUCTION

EXPANSION



4-7/16 THRU 4-15/16"
CONSTRUCTION

NON-EXPANSION

FEATURES/BENEFITS
PAGE B8-3

HOW TO ORDER
PAGE B8-6

SELECTION
PAGE B8-9

INTERCHANGE CHARTS
PAGE B8-46

DIMENSIONS



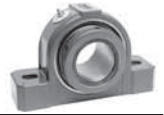
S-2000 Piloted Flange

| Bearing | Shaft Size Inch | TRIDENT Seal | | | | Labyrinth Seal | | | |
|---------|--------------------|---------------|------------|---------------|-------------|----------------|------------|---------------|-------------|
| | | Non-Expansion | | Expansion | | Non-Expansion | | Expansion | |
| | | Part No. | Part Name | Part No. | Part Name | Part No. | Part Name | Part No. | Part Name |
| 22208 | 1-3/8 | 070644 | FC-S2-106R | 070671 | FC-S2-106RE | 070698 | FC-S2-106L | 070725 | FC-S2-106LE |
| | 1-7/16 | 070645 | FC-S2-107R | 070672 | FC-S2-107RE | 070699 | FC-S2-107L | 070726 | FC-S2-107LE |
| | 1-1/2 | 070646 | FC-S2-108R | 070673 | FC-S2-108RE | 070700 | FC-S2-108L | 070727 | FC-S2-108LE |
| 22209 | 1-11/16 | 070648 | FC-S2-111R | 070675 | FC-S2-111RE | 070702 | FC-S2-111L | 070729 | FC-S2-111LE |
| | 1-3/4 | 070649 | FC-S2-112R | 070676 | FC-S2-112RE | 070703 | FC-S2-112L | 070730 | FC-S2-112LE |
| 22210 | 1-15/16 | 070650 | FC-S2-115R | 070677 | FC-S2-115RE | 070704 | FC-S2-115L | 070731 | FC-S2-115LE |
| | 2 | 070651 | FC-S2-200R | 070678 | FC-S2-200RE | 070705 | FC-S2-200L | 070732 | FC-S2-200LE |
| 22211 | 2-3/16 | 070652 | FC-S2-203R | 070679 | FC-S2-203RE | 070706 | FC-S2-203L | 070733 | FC-S2-203LE |
| 22213 | 2-7/16 | 070654 | FC-S2-207R | 070681 | FC-S2-207RE | 070708 | FC-S2-207L | 070735 | FC-S2-207LE |
| 22215 | 2-11/16 | 070656 | FC-S2-211R | 070683 | FC-S2-211RE | 070710 | FC-S2-211L | 070737 | FC-S2-211LE |
| | 2-15/16 | 070657 | FC-S2-215R | 070684 | FC-S2-215RE | 070711 | FC-S2-215L | 070738 | FC-S2-215LE |
| | 3 | 070658 | FC-S2-300R | 070685 | FC-S2-300RE | 070712 | FC-S2-300L | 070739 | FC-S2-300LE |
| 22218 | 3-7/16 | 070660 | FC-S2-307R | 070687 | FC-S2-307RE | 070714 | FC-S2-307L | 070741 | FC-S2-307LE |
| 22220 | 3-15/16 | 070662 | FC-S2-315R | 070689 | FC-S2-315RE | 070716 | FC-S2-315L | 070743 | FC-S2-315LE |
| 22222 | 4-7/16 ** | 070664 | FC-S2-407R | 070691 | FC-S2-407RE | 070718 | FC-S2-407L | 070745 | FC-S2-407LE |
| 22226 | 4-15/16 ** | 070666 | FC-S2-415R | 070693 | FC-S2-415RE | 070720 | FC-S2-415L | 070747 | FC-S2-415LE |

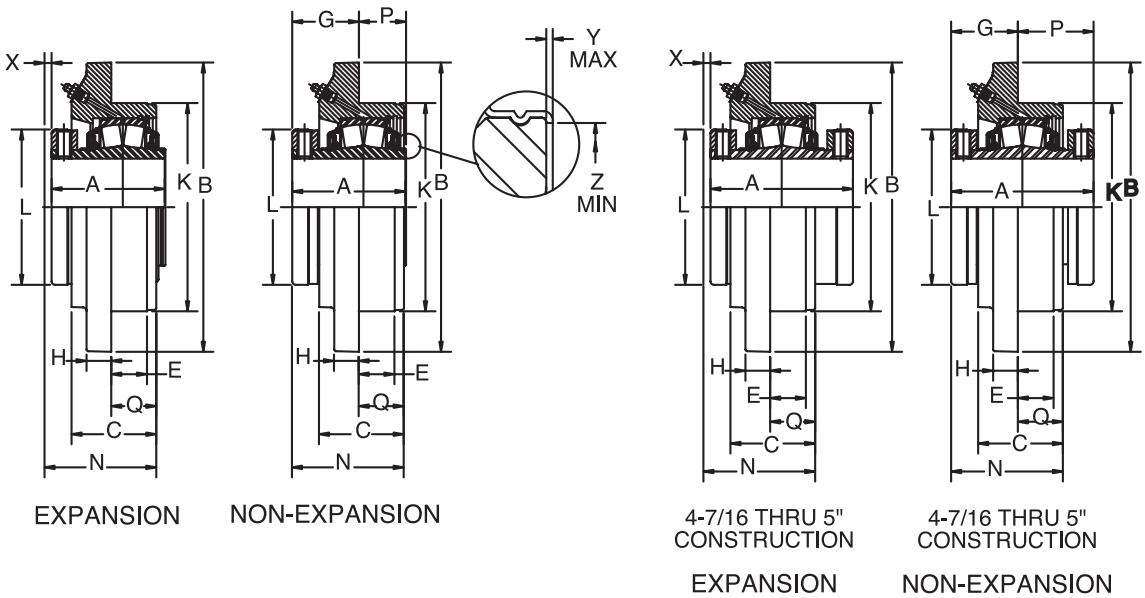
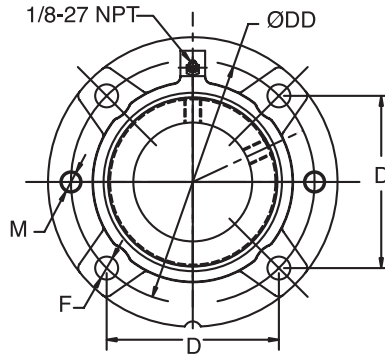
| SHAFT SIZE | A | B | C | D | DD | E | F BOLT DIA. | G | H | * K | L | M | N | P | Q | X TOTAL EXP. |
|------------|---------|----------|---------|----------|--------|---------|-------------|---------|-------|--------|---------|---------|---------|---------|---------|--------------|
| 1-3/8 | | | | | | | | | | | | | | | | |
| 1-7/16 | 2-17/32 | 5-1/4 | 1-27/32 | 3-3/32 | 4-3/8 | 3/4 | 3/8 | 1-5/16 | 1/2 | 3.625 | 2-3/4 | 3/8-16 | 2-17/32 | 1-7/32 | 1-7/32 | 3/16 |
| 1-1/2 | | | | | | | | | | | | | | | | |
| 1-11/16 | 2-43/64 | 6-1/8 | 1-29/32 | 3-5/8 | 5-1/8 | 7/8 | 7/16 | 1-29/64 | 1/2 | 4.250 | 3-3/16 | 7/16-14 | 2-23/32 | 1-7/32 | 1-17/64 | 1/4 |
| 1-3/4 | | | | | | | | | | | | | | | | |
| 1-15/16 | 2-27/32 | 6-3/8 | 2 | 3-51/64 | 5-3/8 | 7/8 | 7/16 | 1-19/32 | 9/16 | 4.500 | 3-7/16 | 7/16-14 | 2-55/64 | 1-1/4 | 1-17/64 | 1/4 |
| 2 | | | | | | | | | | | | | | | | |
| 2-3/16 | 2-15/16 | 7-1/8 | 2-3/16 | 4-1/4 | 6 | 1 | 1/2 | 1-9/16 | 9/16 | 5.000 | 3-3/4 | 1/2-13 | 2-63/64 | 1-3/8 | 1-27/64 | 1/4 |
| 2-7/16 | 3-13/64 | 7-5/8 | 2-1/2 | 4-19/32 | 6-1/2 | 1 | 1/2 | 1-41/64 | 5/8 | 5.500 | 4-1/16 | 1/2-13 | 3-13/64 | 1-9/16 | 1-9/16 | 1/4 |
| 2-11/16 | | | | | | | | | | | | | | | | |
| 2-15/16 | 3-19/32 | 8-3/4 | 2-5/8 | 5-19/64 | 7-1/2 | 1-1/4 | 5/8 | 2-1/32 | 3/4 | 6.375 | 4-45/64 | 5/8-11 | 3-41/64 | 1-9/16 | 1-5/8 | 1/4 |
| 3 | | | | | | | | | | | | | | | | |
| 3-7/16 | 4 | 10-1/4 | 3 | 6-3/32 | 8-5/8 | 1-17/64 | 3/4 | 2-23/64 | 15/16 | 7.375 | 5-1/2 | 3/4-10 | 3-7/8 | 1-41/64 | 1-33/64 | 1/4 |
| 3-15/16 | 4-15/32 | 10-7/8 | 3-1/2 | 6-5/8 | 9-3/8 | 1-15/32 | 3/4 | 2-21/32 | 1-1/8 | 8.125 | 6 | 3/4-10 | 4-9/16 | 1-13/16 | 1-29/32 | 5/16 |
| 4-7/16 | 6-17/32 | 13-37/64 | 4 | ** 5-7/8 | 11-3/4 | 1-29/64 | 3/4** | 3-17/32 | 1 | 10.250 | 6-29/64 | 3/4-10 | 5-1/2 | 3 | 1-63/64 | 3/8 |
| 4-15/16 | 6-29/32 | 14-27/32 | 4-3/8 | ** 6-3/8 | 12-3/4 | 1-45/64 | 7/8** | 3-7/16 | 1-1/4 | 11.000 | 7-29/64 | 7/8-9 | 5-55/64 | 3-15/32 | 2-27/64 | 3/8 |

| | | | |
|--------------------------------|---------------------------|------------------------|----------------------------------|
| FEATURES/BENEFITS PAGE B8-3 | HOW TO ORDER PAGE B8-6 | SELECTION PAGE B8-9 | INTERCHANGE CHARTS PAGE B8-46 |
|--------------------------------|---------------------------|------------------------|----------------------------------|

DIMENSIONS



S-2000 Piloted Flange with Type E Dimensions



FEATURES/BENEFITS
PAGE B8-3

HOW TO ORDER
PAGE B8-6

SELECTION
PAGE B8-9

INTERCHANGE CHARTS
PAGE B8-46

DIMENSIONS



S-2000 Piloted Flange with Type E Dimensions

| Bearing Series | Shaft Size* | TRIDENT SEAL | | | | Labyrinth Seal | | | |
|----------------|-------------|---------------|-------------|---------------|--------------|----------------|-------------|---------------|--------------|
| | | Non Expansion | | Expansion | | Non Expansion | | Expansion | |
| | | Part No. | Part Name | Part No. | Part Name | Part No. | Part Name | Part No. | Part Name |
| 22208 | 1-3/8 | 070644 | FC-S2-106R | 070671 | FC-S2-106RE | 070698 | FC-S2-106L | 070725 | FC-S2-106LE |
| | 1-7/16 | 070645 | FC-S2-107R | 070672 | FC-S2-107RE | 070699 | FC-S2-107L | 070726 | FC-S2-107LE |
| 22209 | 1-11/16 | 070648 | FC-S2-111R | 070675 | FC-S2-111RE | 070702 | FC-S2-111L | 070729 | FC-S2-111LE |
| 22210 | 1-15/16 | 070650 | FC-S2-115R | 070677 | FC-S2-115RE | 070704 | FC-S2-115L | 070731 | FC-S2-115LE |
| | 2 | 070651 | FC-S2-200R | 070678 | FC-S2-200RE | 070705 | FC-S2-200L | 070732 | FC-S2-200LE |
| 22211 | 2-3/16 | 070652 | FC-S2-203R | 070679 | FC-S2-203RE | 070706 | FC-S2-203L | 070733 | FC-S2-203LE |
| 22213 | 2-7/16 | 070654 | FC-S2-207R | 070681 | FC-S2-207RE | 070708 | FC-S2-207L | 070735 | FC-S2-207LE |
| 22215 | 2-11/16 | 070656 | FC-S2-211R | 070683 | FC-S2-211RE | 070710 | FC-S2-211L | 070737 | FC-S2-211LE |
| | 2-15/16 | 070657 | FC-S2-215R | 070684 | FC-S2-215RE | 070711 | FC-S2-215L | 070738 | FC-S2-215LE |
| | 3 | 070658 | FC-S2-300R | 070685 | FC-S2-300RE | 070712 | FC-S2-300L | 070739 | FC-S2-300LE |
| 22218 | 3-7/16 | 070660 | FC-S2-307R | 070687 | FC-S2-307RE | 070714 | FC-S2-307L | 070741 | FC-S2-307LE |
| 22220 | 3-15/16 | 070662 | FC-S2-315R | 070689 | FC-S2-315RE | 070716 | FC-S2-315L | 070743 | FC-S2-315LE |
| 22222 | 4-7/16 | 071521 | EFC-S2-407R | 071523 | EFC-S2-407RE | 071525 | EFC-S2-407L | 071527 | EFC-S2-407LE |
| 22226 | 4-15/16 | 071522 | EFC-S2-415R | 071524 | EFC-S2-415RE | 071526 | EFC-S2-415L | 071528 | EFC-S2-415LE |

| SHAFT SIZE | A | B # | C # | D | DD | E # | F BOLT DIA. | G | H # | K ## | L | M | N | P | Q # | X TOTAL EXP. | Y | Z | SET SCREW SIZE | S/S TORQUE IN/LBS |
|------------|------|-------|------|------|--------|------|-------------|------|------|--------|------|---------|------|------|------|--------------|-------|------|----------------|-------------------|
| 1-3/8 | 2.53 | 5.25 | 1.84 | 3.09 | 4.375 | 0.75 | 3/8 | 1.31 | 0.50 | 3.625 | 2.55 | 3/8-16 | 2.53 | 1.22 | 1.22 | 0.19 | 0.020 | 1.80 | 5/16 | 165 |
| 1-7/16 | 2.67 | 6.13 | 1.91 | 3.63 | 5.125 | 0.88 | 7/16 | 1.45 | 0.50 | 4.250 | 3.01 | 7/16-14 | 2.72 | 1.22 | 1.26 | 0.25 | 0.020 | 2.08 | 5/16 | 165 |
| 1-11/16 | 2.84 | 6.38 | 2.00 | 3.80 | 5.375 | 0.88 | 7/16 | 1.59 | 0.56 | 4.500 | 3.44 | 7/16-14 | 2.86 | 1.25 | 1.26 | 0.25 | 0.020 | 2.30 | 3/8 | 290 |
| 2 | 2.84 | 6.38 | 2.00 | 3.80 | 5.375 | 0.88 | 7/16 | 1.59 | 0.56 | 4.500 | 3.44 | 7/16-14 | 2.86 | 1.25 | 1.26 | 0.25 | 0.020 | 2.30 | 3/8 | 290 |
| 2-3/16 | 2.94 | 7.13 | 2.19 | 4.25 | 6.000 | 1.00 | 1/2 | 1.56 | 0.56 | 5.000 | 3.50 | 1/2-13 | 2.98 | 1.38 | 1.42 | 0.25 | 0.025 | 2.59 | 3/8 | 290 |
| 2-7/16 | 3.20 | 7.63 | 2.50 | 4.59 | 6.500 | 1.00 | 1/2 | 1.64 | 0.63 | 5.500 | 4.06 | 1/2-13 | 3.20 | 1.56 | 1.56 | 0.25 | 0.025 | 2.94 | 3/8 | 290 |
| 2-11/16 | | | | | | | | | | | | | | | | | | | | |
| 2-15/16 | 3.59 | 8.75 | 2.63 | 5.30 | 7.500 | 1.25 | 5/8 | 2.03 | 0.75 | 6.375 | 4.61 | 5/8-11 | 3.64 | 1.56 | 1.63 | 0.25 | 0.025 | 3.47 | 1/2 | 620 |
| 3 | 3.59 | 8.75 | 2.63 | 5.30 | 7.500 | 1.25 | 5/8 | 2.03 | 0.75 | 6.375 | 4.61 | 5/8-11 | 3.64 | 1.56 | 1.63 | 0.25 | 0.025 | 3.47 | 1/2 | 620 |
| 3-7/16 | 4.01 | 10.25 | 3.00 | 6.09 | 8.625 | 1.26 | 3/4 | 2.36 | 0.94 | 7.375 | 5.50 | 3/4-10 | 3.88 | 1.65 | 1.52 | 0.25 | 0.025 | 4.05 | 1/2 | 620 |
| 3-15/16 | 4.47 | 10.88 | 3.50 | 6.63 | 9.375 | 1.47 | 3/4 | 2.66 | 1.13 | 8.125 | 6.00 | 3/4-10 | 4.56 | 1.81 | 1.91 | 0.31 | 0.025 | 4.50 | 5/8 | 1325 |
| 4-7/16 | 6.53 | 13.50 | 4.58 | 5.88 | 11.750 | 1.45 | 3/4 ** | 3.00 | 0.94 | 10.250 | 6.45 | 3/4-10 | 5.63 | 3.53 | 2.63 | 0.38 | N/A | N/A | 5/8 | 1325 |
| 4-15/16 | 6.91 | 14.75 | 4.88 | 6.38 | 12.750 | 1.70 | 7/8 ** | 2.97 | 1.25 | 11.000 | 7.45 | 7/8-9 | 5.95 | 3.94 | 3.01 | 0.38 | N/A | N/A | 5/8 | 1325 |

- +0.000 NOTE(S): "P" AND "G" DIMENSIONS ARE FOR NON-EXPANSION ONLY
 -0.002 "A" AND "P" DIMENSIONS DO NOT INCLUDE "Y" DIMENSION
 # - REFERENCE DIMENSION ONLY

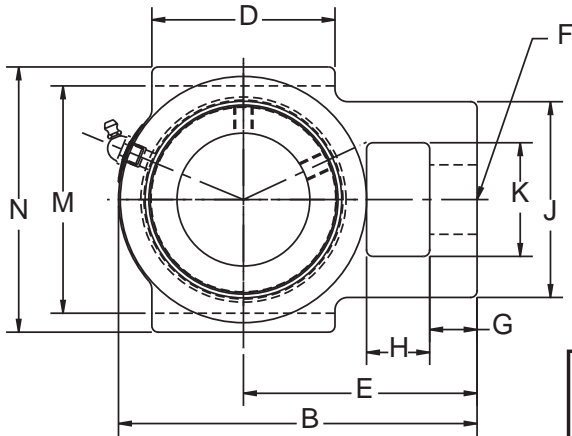
| | | | |
|--------------------------------|---------------------------|------------------------|----------------------------------|
| FEATURES/BENEFITS PAGE B8-3 | HOW TO ORDER PAGE B8-6 | SELECTION PAGE B8-9 | INTERCHANGE CHARTS PAGE B8-46 |
|--------------------------------|---------------------------|------------------------|----------------------------------|



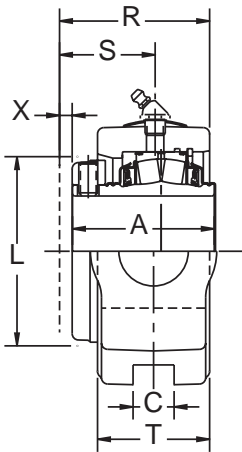
DIMENSIONS



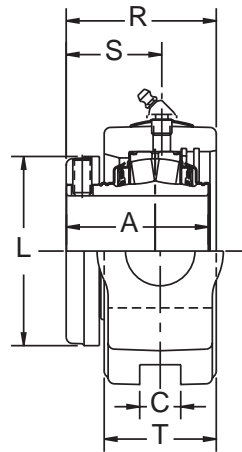
S-2000 Wide Slot Take-Up 1-3/8 THRU 2-3/16 INCH



NOTE: All sizes use a 1/8-27 NPT hydraulic grease fitting



EXPANSION



NON-EXPANSION

D-LOK

Type E Family

Specialty Tapered

S-2000

UNISPHERE II

| | | | |
|--------------------------------|---------------------------|------------------------|----------------------------------|
| FEATURES/BENEFITS PAGE B8-3 | HOW TO ORDER PAGE B8-6 | SELECTION PAGE B8-9 | INTERCHANGE CHARTS PAGE B8-46 |
|--------------------------------|---------------------------|------------------------|----------------------------------|

DIMENSIONS



S-2000 Wide Slot Take-Up 1-3/8 THRU 2-3/16 INCH

| Bearing | Shaft Size Inch | Take-Up Frame | TRIDENT Seal | | | |
|---------|-----------------|---------------|---------------|--------------|-----------|---------------|
| | | | Non-Expansion | | Expansion | |
| | | | Part No. | Part Name | Part No. | Part Name |
| 22208 | 1-3/8 | CP-308 | 070752 | WSTU-S2-106R | 070779 | WSTU-S2-106RE |
| | 1-7/16 | | 070753 | WSTU-S2-107R | 070780 | WSTU-S2-107RE |
| | 1-1/2 | | 070754 | WSTU-S2-108R | 070781 | WSTU-S2-108RE |
| 22209 | 1-11/16 | CP-400 | 070756 | WSTU-S2-111R | 070783 | WSTU-S2-111RE |
| | 1-3/4 | | 070757 | WSTU-S2-112R | 070784 | WSTU-S2-112RE |
| 22210 | 1-15/16 | CP-400 | 070758 | WSTU-S2-115R | 070785 | WSTU-S2-115RE |
| | 2 | | 070759 | WSTU-S2-200R | 070786 | WSTU-S2-200RE |
| 22211 | 2-3/16 | CP-408 | 070760 | WSTU-S2-203R | 070787 | WSTU-S2-203RE |

| SHAFT SIZE | A | B | C | D | E | F | G | H | J |
|------------|---------|---------|-------|-------|---------|-------|-------|-------|--------|
| 1-3/8 | | | | | | | | | |
| 1-7/16 | 2-17/32 | 5-1/16 | 17/32 | 2-3/4 | 3-3/16 | 7/8 | 11/16 | 5/8 | 2-7/16 |
| 1-1/2 | | | | | | | | | |
| 1-11/16 | 2-43/64 | 5-15/16 | 11/16 | 3-1/8 | 3-13/16 | 1-1/8 | 15/16 | 3/4 | 3-5/16 |
| 1-3/4 | | | | | | | | | |
| 1-15/16 | 2-27/32 | 6-3/16 | 11/16 | 3-5/8 | 3-15/16 | 1-1/8 | 15/16 | 3/4 | 3-5/16 |
| 2 | | | | | | | | | |
| 2-3/16 | 2-15/16 | 7-1/16 | 13/16 | 3-5/8 | 4-5/8 | 1-3/8 | 15/16 | 1-1/4 | 3-7/8 |

| SHAFT SIZE | K | L | M | N | R | S | T | X TOTAL EXP |
|------------|---------|--------|-------|-------|---------|---------|--------|----------------|
| 1-3/8 | | | | | | | | |
| 1-7/16 | 1-7/16 | 2-3/4 | 3-1/2 | 4-1/8 | 2-47/64 | 1-45/64 | 2-1/16 | 3/16 |
| 1-1/2 | | | | | | | | |
| 1-11/16 | 1-15/16 | 3-3/16 | 4 | 4-3/4 | 2-53/64 | 1-13/16 | 2-1/32 | 1/4 |
| 1-3/4 | | | | | | | | |
| 1-15/16 | 1-15/16 | 3-7/16 | 4 | 4-3/4 | 2-15/16 | 1-15/16 | 2 | 1/4 |
| 2 | | | | | | | | |
| 2-3/16 | 2-1/4 | 3-3/4 | 4-1/2 | 5-1/4 | 3-3/32 | 1-63/64 | 2-7/32 | 1/4 |

| | | | |
|--------------------------------|---------------------------|------------------------|----------------------------------|
| FEATURES/BENEFITS PAGE B8-3 | HOW TO ORDER PAGE B8-6 | SELECTION PAGE B8-9 | INTERCHANGE CHARTS PAGE B8-46 |
|--------------------------------|---------------------------|------------------------|----------------------------------|



DIMENSIONS



S-2000 Wide Slot Take-Up 2-7/16 THRU 4-15/16 INCH

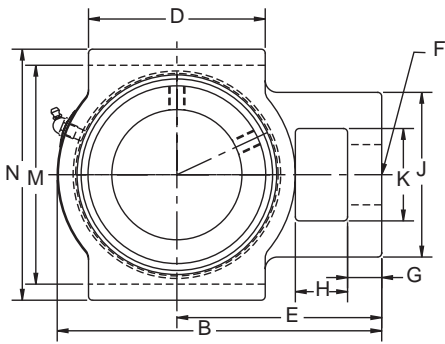
D-LOK

Type E Family

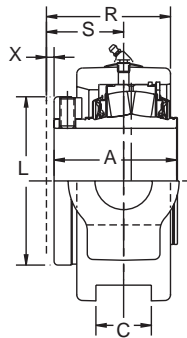
Specialty Tapered

S-2000

UNISPHERE II

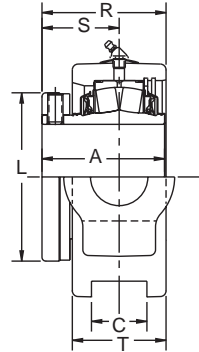


NOTE: All sizes use a 1/8-27 NPT hydraulic grease fitting



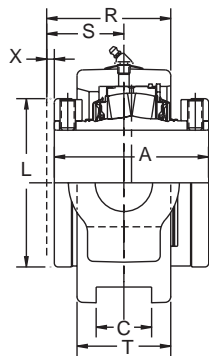
1-3/8" THRU 3-15/16"
CONSTRUCTION

EXPANSION



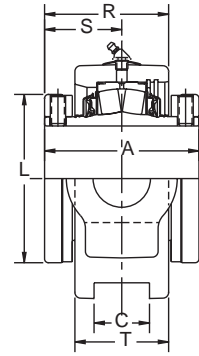
1-3/8" THRU 3-15/16"
CONSTRUCTION

NON-EXPANSION



4-7/16" THRU 4-15/16"
CONSTRUCTION

EXPANSION



4-7/16" THRU 4-15/16"
CONSTRUCTION

NON-EXPANSION

FEATURES/BENEFITS
PAGE B8-3

HOW TO ORDER
PAGE B8-6

SELECTION
PAGE B8-9

INTERCHANGE CHARTS
PAGE B8-46

DIMENSIONS



S-2000 Wide Slot Take-Up 2-7/16 THRU 4-15/16 INCH

| Bearing | Shaft Size Inch | Take-Up Frame | TRIDENT Seal | | | |
|---------|--------------------|------------------|---------------|--------------|-------------|---------------|
| | | | Non-Expansion | | Expansion | |
| | | | Part Number | Part Name | Part Number | Part Name |
| 22213 | 2-7/16 | CP-502 | 070762 | WSTU-S2-207R | 070789 | WSTU-S2-207RE |
| 22215 | 2-11/16 | CP-515 | 070764 | WSTU-S2-211R | 070791 | WSTU-S2-211RE |
| | 2-15/16 | | 070765 | WSTU-S2-215R | 070792 | WSTU-S2-215RE |
| | 3 | | 070766 | WSTU-S2-300R | 070793 | WSTU-S2-300RE |
| 22218 | 3-7/16 | CP-613 | 070768 | WSTU-S2-307R | 070795 | WSTU-S2-307RE |
| 22220 | 3-15/16 | CP-810 | 070770 | WSTU-S2-315R | 070797 | WSTU-S2-315RE |
| 22222 | 4-7/16 | CP-908 | 070772 | WSTU-S2-407R | 070799 | WSTU-S2-407RE |
| 22226 | 4-15/16 | CP-1004 | 070774 | WSTU-S2-415R | 070801 | WSTU-S2-415RE |

| SHAFT SIZE | A | B | C | D | E | F | G | H | J |
|---------------|---------|---------|---------|-------|---------|-------|--------|-------|-------|
| 2-7/16 | 3-13/64 | 7-11/16 | 1-1/16 | 4-3/8 | 5 | 1-3/8 | 1-1/16 | 1-1/4 | 4-1/4 |
| 2-11/16 | 3-19/32 | 8-7/8 | 1-13/16 | 4-1/2 | 5-3/4 | 1-5/8 | 1-1/8 | 1-1/2 | 4-7/8 |
| 2-15/16 | | | | | | | | | |
| 3 | | | | | | | | | |
| 3-7/16 | 4 | 10-1/16 | 1-13/16 | 5-1/2 | 6-3/8 | 1-7/8 | 1-1/16 | 1-5/8 | 5-1/8 |
| 3-15/16 | 4-15/32 | 12-9/16 | 2-1/16 | 7 | 8-3/8 | 2-1/8 | 2-1/16 | 2-1/8 | 6 |
| 4-7/16 | 6-17/32 | 13-3/8 | 2-1/16 | 7 | 8-3/4 | 2-1/8 | 2 | 2-1/8 | 6-3/8 |
| 4-15/16 | 6-29/32 | 15-5/8 | 2-1/16 | 9 | 10-5/16 | 2-3/8 | 2-1/2 | 2-1/2 | 7 |

| SHAFT SIZE | K | L | M | N | R | S | T | X Total Exp |
|---------------|-------|---------|---------|---------|---------|---------|---------|----------------|
| 2-7/16 | 2-1/2 | 4-1/16 | 5-1/8 | 5-7/8 | 3-13/64 | 2 | 2-7/16 | 1/4 |
| 2-11/16 | 2-3/4 | 4-45/64 | 5-15/16 | 6-11/16 | 3-3/4 | 2-13/32 | 2-11/16 | 1/4 |
| 2-15/16 | | | | | | | | |
| 3 | | | | | | | | |
| 3-7/16 | 2-7/8 | 5-1/2 | 6-13/16 | 7-13/16 | 4-3/64 | 2-33/64 | 3-1/16 | 1/4 |
| 3-15/16 | 3-3/8 | 6 | 8-5/8 | 9-7/16 | 4-37/64 | 2-55/64 | 3-7/16 | 5/16 |
| 4-7/16 | 3-3/8 | 6-29/64 | 9-1/2 | 10-3/8 | 5-11/32 | 3-15/32 | 3-3/4 | 3/8 |
| 4-15/16 | 3-3/4 | 7-29/64 | 10-1/4 | 11-1/4 | 5-47/64 | 3-41/64 | 4-3/16 | 3/8 |

See Page B15-20 for CP Take-Up Frame

| | | | |
|--------------------------------|---------------------------|------------------------|----------------------------------|
| FEATURES/BENEFITS PAGE B8-3 | HOW TO ORDER PAGE B8-6 | SELECTION PAGE B8-9 | INTERCHANGE CHARTS PAGE B8-46 |
|--------------------------------|---------------------------|------------------------|----------------------------------|



DIMENSIONS



TP Take-Up

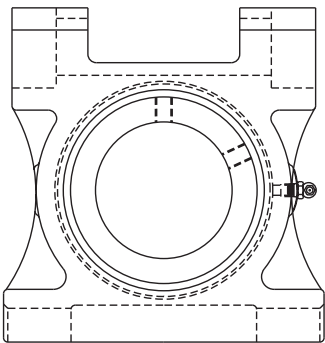
D-LOK

Type E Family

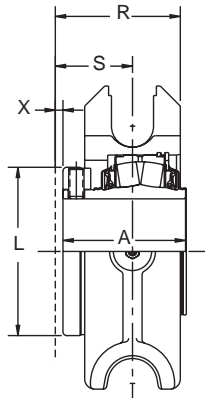
Specialty Tapered

S-2000

UNISPHERE II

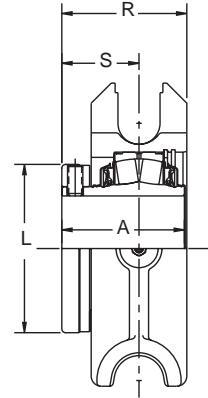


NOTE: All sizes use a 1/8-27 NPT hydraulic grease fitting



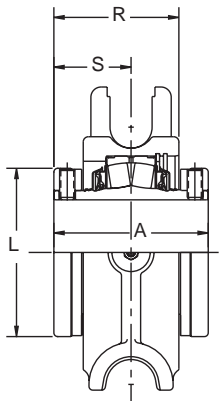
1-15/16" THRU 3-15/16"
CONSTRUCTION

EXPANSION



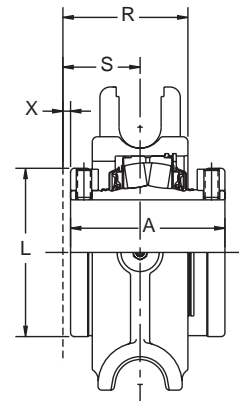
1-15/16" THRU 3-15/16"
CONSTRUCTION

NON-EXPANSION



4-7/16" THRU 4-15/16"
CONSTRUCTION

NON-EXPANSION



4-7/16" THRU 4-15/16"
CONSTRUCTION

EXPANSION

| | | | |
|--|-----------------------------------|--------------------------------|--|
| <p>FEATURES/BENEFITS PAGE B8-3</p> | <p>HOW TO ORDER PAGE B8-6</p> | <p>SELECTION PAGE B8-9</p> | <p>INTERCHANGE CHARTS PAGE B8-46</p> |
|--|-----------------------------------|--------------------------------|--|

DIMENSIONS



TP Take-Up

| Bearing Inch | Shaft Size | TAKE-UP FRAME | | TRIDENT Seal | | | |
|--------------|-------------------------|---------------|---------|---------------|--------------|-------------|---------------|
| | | | | Non-Expansion | | Expansion | |
| | | | | Part Number | Part Name | Part Number | Part Name |
| 22210 | 1-15/16 2 | TP10 | TPHU110 | 070811 | TPHU-S2-115R | 070829 | TPHU-S2-115RE |
| | | | | 070812 | TPHU-S2-200R | 070830 | TPHU-S2-200RE |
| 22211 | 2-3/16 | TP30 | TPHU120 | 070813 | TPHU-S2-203R | 070831 | TPHU-S2-203RE |
| 22213 | 2-7/16 | TP40 | TPHU130 | 070815 | TPHU-S2-207R | 070833 | TPHU-S2-207RE |
| 22215 | 2-11/16 2-15/16 3 | TP40 | TPHU140 | 070817 | TPHU-S2-211R | 070835 | TPHU-S2-211RE |
| | | | | 070818 | TPHU-S2-215R | 070836 | TPHU-S2-215RE |
| | | | | 070819 | TPHU-S2-300R | 070837 | TPHU-S2-300RE |
| 22218 | 3-7/16 | TP50 | TPHU150 | 070821 | TPHU-S2-307R | 070839 | TPHU-S2-307RE |
| 22220 | 3-15/16 | TP60 | TPHU160 | 070823 | TPHU-S2-315R | 070841 | TPHU-S2-315RE |
| 22222 | 4-7/16 | N/A | TPHU170 | 070825 | TPHU-S2-407R | 070843 | TPHU-S2-407RE |
| 22226 | 4-15/16 | N/A | TPHU180 | 070827 | TPHU-S2-415R | 070845 | TPHU-S2-415RE |

| SHAFT SIZE | A | L | R | S | X |
|-------------------------|---------|---------|---------|---------|------|
| 1-15/16 2 | 2-27/32 | 3-7/16 | 3-3/16 | 2 | 1/4 |
| 2-3/16 | 2-15/16 | 3-3/4 | 3-25/64 | 2-1/64 | 1/4 |
| 2-7/16 | 3-13/64 | 4-1/16 | 3-17/32 | 2-5/32 | 1/4 |
| 2-11/16 2-15/16 3 | 3-19/32 | 4-45/64 | 3-53/64 | 2-29/64 | 1/4 |
| 3-7/16 | 4 | 5-1/2 | 4-7/32 | 2-21/32 | 1/4 |
| 3-15/16 | 4-15/32 | 6 | 4-33/64 | 2-61/64 | 5/16 |
| 4-7/16 | 6-17/32 | 6-29/64 | 5-29/64 | 3-29/64 | 3/8 |
| 4-15/16 | 6-29/32 | 7-29/64 | 5-7/8 | 3-21/32 | 3/8 |

See page B15-14 thru B15-19 for TP and TPHU Frames

| | | | |
|--------------------------------|---------------------------|------------------------|----------------------------------|
| FEATURES/BENEFITS PAGE B8-3 | HOW TO ORDER PAGE B8-6 | SELECTION PAGE B8-9 | INTERCHANGE CHARTS PAGE B8-46 |
|--------------------------------|---------------------------|------------------------|----------------------------------|

DIMENSIONS



S-2000 Bearing Insert

D-LOK

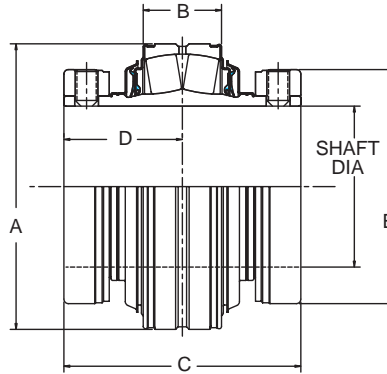
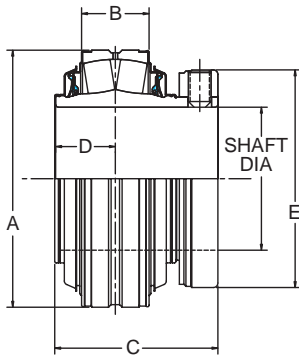
Type E Family

Specialty Tapered

S-2000

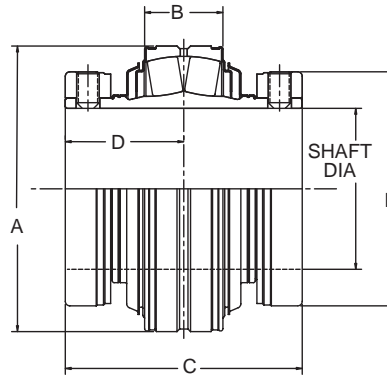
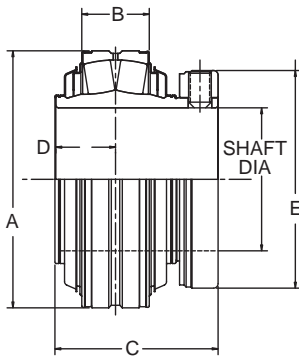
UNISPHERE II

TRIDENT SEAL



1-3/8 THRU 3-15/16" CONSTRUCTION 4-7/16 THRU 4-15/16" CONSTRUCTION

LABYRINTH SEAL



1-3/8 THRU 3-15/16" CONSTRUCTION 4-7/16 THRU 4-15/16" CONSTRUCTION

FEATURES/BENEFITS
PAGE B8-3

HOW TO ORDER
PAGE B8-6

SELECTION
PAGE B8-9

INTERCHANGE CHARTS
PAGE B8-46

DIMENSIONS



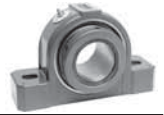
S-2000 Bearing Insert

| Bearing | SHAFT SIZE | TRIDENT SEAL | | LABYRINTH SEAL | |
|---------|------------|---------------|-------------|----------------|-------------|
| | | PART NUMBER | PART NAME | PART NUMBER | PART NAME |
| 22208 | 1-3/8 | 070000 | INS-S2-106R | 070016 | INS-S2-106L |
| | 1-7/16 | 070001 | INS-S2-107R | 070017 | INS-S2-107L |
| | 1-1/2 | 070002 | INS-S2-108R | 070018 | INS-S2-108L |
| 22209 | 1-11/16 | 070003 | INS-S2-111R | 070019 | INS-S2-111L |
| | 1-3/4 | 070004 | INS-S2-112R | 070020 | INS-S2-112L |
| 22210 | 1-15/16 | 070005 | INS-S2-115R | 070021 | INS-S2-115L |
| | 2 | 070006 | INS-S2-200R | 070022 | INS-S2-200L |
| 22211 | 2-3/16 | 070007 | INS-S2-203R | 070023 | INS-S2-203L |
| 22213 | 2-7/16 | 070008 | INS-S2-207R | 070024 | INS-S2-207L |
| 22215 | 2-11/16 | 070009 | INS-S2-211R | 070025 | INS-S2-211L |
| | 2-15/16 | 070010 | INS-S2-215R | 070026 | INS-S2-215L |
| | 3 | 070011 | INS-S2-300R | 070027 | INS-S2-300L |
| 22218 | 3-7/16 | 070012 | INS-S2-307R | 070028 | INS-S2-307L |
| 22220 | 3-15/16 | 070013 | INS-S2-315R | 070029 | INS-S2-315L |
| 22222 | 4-7/16 | 070014 | INS-S2-407R | 070030 | INS-S2-407L |
| 22226 | 4-15/16 | 070015 | INS-S2-415R | 070031 | INS-S2-415L |

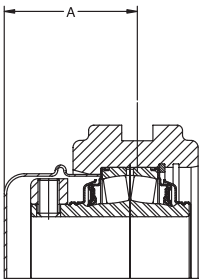
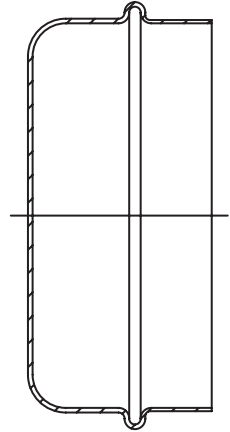
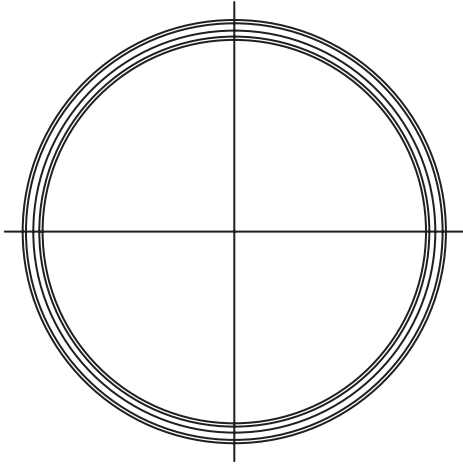
| SHAFT SIZE | A | B | C | D | E |
|------------|-------|---------|---------|-------|---------|
| 1-3/8 | 3.150 | 61/64 | 2-17/32 | 0.970 | 2-21/32 |
| 1-7/16 | | | | | |
| 1-1/2 | | | | | |
| 1-11/16 | 3.346 | 61/64 | 2-21/32 | 0.954 | 3-3/32 |
| 1-3/4 | | | | | |
| 1-15/16 | 3.543 | 61/64 | 2-27/32 | 0.977 | 3-11/32 |
| 2 | | | | | |
| 2-3/16 | 3.937 | 1-3/64 | 2-15/16 | 1.050 | 3-21/32 |
| 2-7/16 | 4.724 | 1-9/32 | 3-13/64 | 1.208 | 3-31/32 |
| 2-11/16 | 5.118 | 1-9/32 | 3-19/32 | 1.219 | 4-5/8 |
| 2-15/16 | | | | | |
| 3 | | | | | |
| 3-7/16 | 6.299 | 1-5/8 | 4 | 1.483 | 5-1/2 |
| 3-15/16 | 7.087 | 1-7/8 | 4-31/64 | 1.646 | 6 |
| 4-7/16 | 7.874 | 2-5/32 | 6-17/32 | 3.266 | 6-29/64 |
| 4-15/16 | 9.055 | 2-19/32 | 6-29/32 | 3.453 | 7-29/64 |

| | | | |
|--------------------------------|---------------------------|------------------------|----------------------------------|
| FEATURES/BENEFITS PAGE B8-3 | HOW TO ORDER PAGE B8-6 | SELECTION PAGE B8-9 | INTERCHANGE CHARTS PAGE B8-46 |
|--------------------------------|---------------------------|------------------------|----------------------------------|

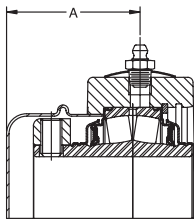
DIMENSIONS



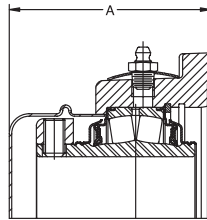
S-2000 Bearing End Cover



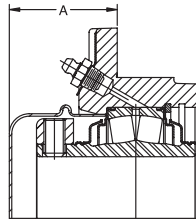
WS TAKE-UP



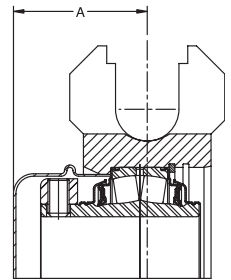
PILLOW BLOCK



FLANGE



PILOTED FLANGE



TPU TAKE-UP

D-LOK

Type E Family

Specialty Tapered

S-2000

UNISPHERE II

FEATURES/BENEFITS
PAGE B8-3

HOW TO ORDER
PAGE B8-6

SELECTION
PAGE B8-9

INTERCHANGE CHARTS
PAGE B8-46

DIMENSIONS



S-2000 Bearing End Cover

| Shaft Size | Housing Design | | | |
|------------------|----------------|-------------|---------------|-------------|
| | S2000 | | * E-S2000 | |
| | Part # | Description | Part # | Description |
| 1-3/8 to 1-1/2 | 069970 | S2EC08 | 069960 | IPEC08 |
| 1-11/16 to 1-3/4 | 069971 | S2EC09 | 069961 | IPEC09 |
| 1-15/16 to 2 | 069972 | S2EC10 | 069972 | IPEC10 |
| 2-3/16 | 069973 | S2EC11 | 069963 | IPEC11 |
| 2-7/16 | 069964 | S2EC13 | 069964 | IPEC13 |
| 2 11/16 to 3 | 069975 | S2EC15 | 069965 | IPEC15 |
| 3-7/16 | 069966 | S2EC18 | 069966 | S2IPEC18 |
| 3-15/16 | 069967 | S2IPEC20 | 069967 | S2IPEC20 |
| 4-7/16 | 069968 | S2IPEC22 | 069968 | S2IPEC22 |
| 4-15/16 | 069969 | S2IPEC26 | 069969 | S2IPEC26 |

* End Covers for S2000 with Type E dimensioned housing

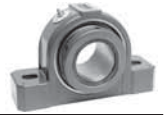
“A” DIMENSION

| SHAFT SIZE (IN) | S-2000 Pillow Block | *E-S2000 Pillow Block | S-2000 Piloted Flange | *E-S2000 Piloted Flange | S-2000 Flange | *E-S2000 Flange | Wide Slot Take-up | Top Angle Take-up |
|--------------------|---------------------|-----------------------|-----------------------|-------------------------|---------------|-----------------|-------------------|-------------------|
| 1-3/8 thru 1-1/2 | 1.97 | 1.83 | 1.61 | 1.61 | 3.06 | 3.39 | 2.00 | N/A |
| 1-11/16 thru 1-3/4 | 2.16 | 2.20 | 1.77 | 1.77 | 3.27 | 4.01 | 2.13 | N/A |
| 1-15/16 thru 2 | 2.25 | 2.00 | 1.86 | 1.86 | 3.41 | 3.89 | 2.19 | 2.25 |
| 2 -3/16 | 2.41 | 2.47 | 1.94 | 1.94 | 3.63 | 4.47 | 2.36 | 2.41 |
| 2 -7/16 | 2.44 | 2.44 | 2.09 | 2.09 | 3.95 | 4.63 | 2.44 | 2.61 |
| 2 -11/16 thru 3 | 2.56 | 2.54 | 2.20 | 2.20 | 4.09 | 4.97 | 2.61 | 2.64 |
| 3 -7/16 | 2.94 | 2.91 | 2.78 | 2.78 | 4.73 | 5.65 | 2.94 | 2.94 |
| 3-15/16 | 3.36 | 3.67 | 3.19 | 3.19 | 5.38 | 7.04 | 3.39 | 3.48 |
| 4 -7/16 | 3.83 | 3.78 | 3.89 | 3.72 | N/A | 7.49 | 3.84 | 3.83 |
| 4-15/16 | 4.36 | 4.33 | 4.11 | 3.95 | N/A | N/A | 4.36 | 4.36 |

* S-2000 With Type E dimensioned Housing

| | | | |
|--------------------------------|---------------------------|------------------------|----------------------------------|
| FEATURES/BENEFITS PAGE B8-3 | HOW TO ORDER PAGE B8-6 | SELECTION PAGE B8-9 | INTERCHANGE CHARTS PAGE B8-46 |
|--------------------------------|---------------------------|------------------------|----------------------------------|

NOTES



D-LOK

Type E Family

Specialty Tapered

S-2000

UNISPHERE II

CONTENTS



UNISPHERE II

| | |
|---|----------|
| Features / Benefits | B9- 3 |
| Specifications | B9- 4 |
| Nomenclature | B9- 5 |
| Selection | B9- 6 |
| Dimensions | |
| Pillow Block - Inch | B9- 16 |
| Flange Bearing - Inch | B9- 18 |
| Bearing Insert With Seal - Inch | B9- 20 |
| Plummer Block Bearing - Metric | B9- 16 |
| Flange Bearing - Metric | B9- 24 |
| Bearing Insert With Seal - Metric | B9- 25 |
| Part Number Index | INDEX-1 |
| Key Word Index | INDEX-34 |

D-LOK

Type E Family

Speciality Tapered

S-2000

UNISPHERE II

NOTES



D-LOK

Type E Family

Specialty Tapered

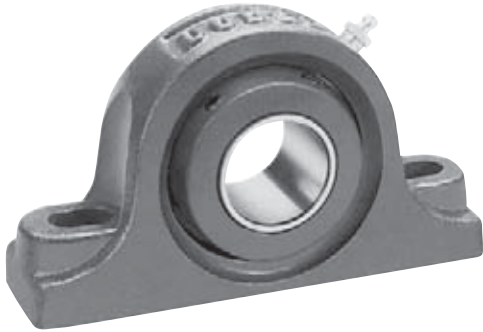
S-2000

UNISPHERE II

FEATURES/BENEFITS



UNISPHERE II



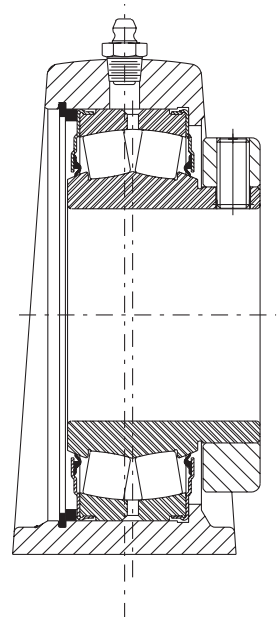
Dimensionally interchangeable with ball bearings:

- Length through the bore
- Base-to-center height
- Footprint

Approximately five times the rating of a ball bearing

UNISPHERE II

- High capacity double row spherical
- 2-bolt pillow blocks and 4-bolt flange bearings 17/16" to 4", 40 mm to 90 mm.
- Same rolling elements and installation ready features as the S-2000 bearing.
- Ductile iron pillow block housing with 65,000 PSI tensile strength is 92% the strength of steel.
- DODGE "R" Seal provides contacting lip protection, crimped to the outer race; maintains sealing effectiveness at maximum misalignment.
- Springlok™ collar mount with 65 set-screw spacing for optimum clamping force.



D-LOK

Type E Family

Speciality Tapered

S-2000

UNISPHERE II



SPECIFICATION

UNISPHERE II INCH

DODGE Unitized UNISPHERE II are general purpose, high-capacity, double-row spherical roller bearings. All are mounted in single piece precision machined housings. Bearings are mounted to shafts by means of set screw collars, with 65 degree set screw spacing for maximum clamping force.

ASTM A48 Class 30 cast iron is the standard material used in S-2000 housings and UNISPHERE II flanged housings. The standard material used in UNISPHERE II

pillow blocks is ductile iron (ASTM A536 Grade 65-45-12) with 65,000 p.s.i. tensile strength. Housing designs are available for survival in extreme harsh environments, through the use of special finishes and stainless hardware.

Housings are available in a variety of standard configurations, including pillow blocks and flanges. Rubbing lip seals are standard on all units.



D-LOK

Type E Family

Specialty Tapered

S-2000

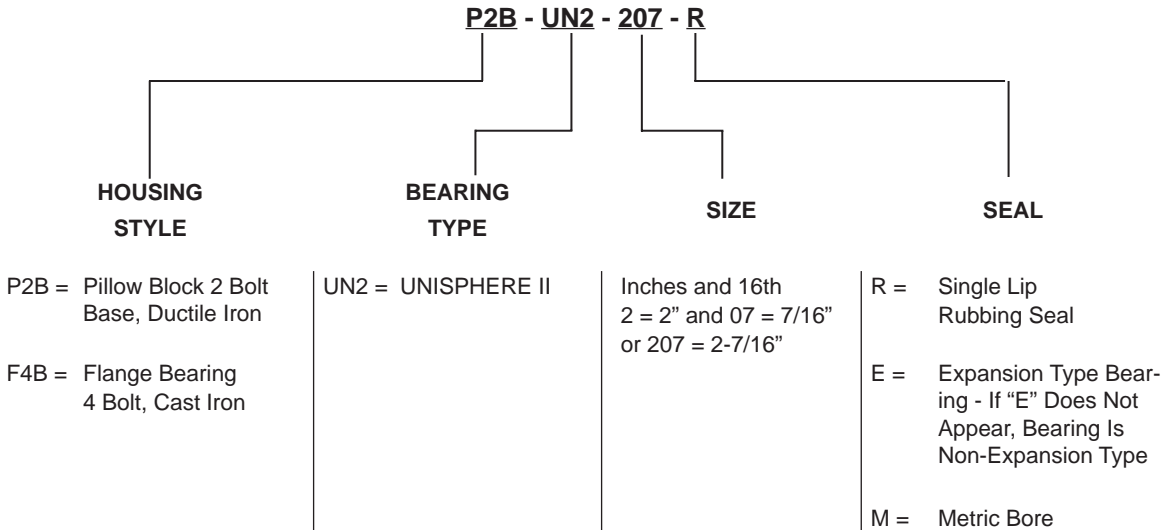
UNISPHERE II

| | | | |
|---------------------------------|----------------------------|-------------------------|---------------------------|
| FEATURES/BENEFITS PAGE B9- 3 | NOMENCLATURE PAGE B9- 5 | SELECTION PAGE B9- 6 | DIMENSIONS PAGE B9- 16 |
|---------------------------------|----------------------------|-------------------------|---------------------------|

NOMENCLATURE



UNISPHERE II INCH



D-LOK

Type E Family

Speciality Tapered

S-2000

UNISPHERE II

| | | | |
|---------------------------------|-----------------------------|-------------------------|---------------------------|
| FEATURES/BENEFITS PAGE B9- 3 | SPECIFICATION PAGE B9- 4 | SELECTION PAGE B9- 6 | DIMENSIONS PAGE B9- 16 |
|---------------------------------|-----------------------------|-------------------------|---------------------------|



SELECTION

UNISPHERE II SPHERICAL ROLLER BEARINGS

DODGE Unitized Spherical Roller Bearings have the capacity to carry heavy radial loads and combined radial and thrust loads. The maximum recommended load which can be applied is limited by various components in the system such as bearing, housing, shaft, shaft attachment, speed and life requirements as listed in this catalog. DODGE spherical roller bearings have been applied successfully even when these limits have been exceeded under controlled operating conditions. Contact DODGE Application Engineering (864-281-2195) for applications which exceed the recommendations of this catalog.

L_{10} Hours Life - The life which may be expected from at least 90% of a given group of bearings operating under identical conditions.

$$L_{10} \text{ Life, Hours} = \left(\frac{C}{P} \right)^{10/3} \times \left(\frac{16667}{\text{RPM}} \right)$$

Where: C = Dynamic Capacity (Table 1 on page B9-9) lbs.

P = Equivalent Radial Load, lbs.

GENERAL

Heavy Service - For heavy shock loads, frequent shock loads, or severe vibrations, add up to 50% (according to severity of conditions) to the Equivalent Radial Load to obtain a Modified Equivalent Radial Load. Consult DODGE Application Engineering for additional selection assistance.

Thrust load values shown in the table below are recommended as a guide for general applications that will give adequate L_{10} life. Spherical bearings require a radial load at least equal to the thrust load for proper operation. If the thrust load exceeds this limit, consult Application Engineering. Where substantial radial load is also present, it is advisable to calculate actual L_{10} life to assure that it meets the requirements. The effectiveness of the shaft attachment to carry thrust load depends on

proper tightening of the set screws, shaft tolerance and shaft deflections. Therefore, it is advisable to use auxiliary thrust carrying devices such as shaft shoulder, snap ring or a thrust collar to locate the bearing under thrust loads heavier than shown below, or where extreme reliability is desired.

| RPM | 20-200 | 201 - 2000 | Over 2000 |
|-------------------------|--------|------------|-----------|
| RECOMMENDED THRUST LOAD | C/20 | C/40 | C/60 |

The shaft tolerances recommended below are adequate for normal radial and radial/thrust load applications. The radial load is limited by the attachment to the shaft (see Table 1 on page B9-9). Where the applied radial load (FR) exceeds this limit (maximum allowable slip fit radial load), a snug-to-light press fit of the shaft is required. Since the allowable load, especially at a low speed, is very large, the shaft should be checked to assure adequate shaft strength.

The magnitude and direction of both the thrust and radial load must be taken into account when selecting a housing. **When pillow blocks are utilized, heavy loads should be directed through the base. Where uplift loads are involved, see Table 7 on page B9-14 for maximum values.** Where a load pulls the housing away from the mounting base, both the hold-down bolts and housing must be of adequate strength. Auxiliary load carrying devices such as shear bars are advisable for side or end loading of pillow blocks and radial loads for flange units.

| SHAFT TOLERANCES | |
|------------------|------------------|
| SHAFT SIZE | S-2000 |
| UP TO 1-1/2" | +0.0000 -0.0005" |
| 1-9/16 TO 4" | +0.000 -0.001" |
| 4-7/16 TO 5" | +0.000 -0.0015" |

| | | | |
|---------------------------------|-----------------------------|----------------------------|---------------------------|
| FEATURES/BENEFITS PAGE B9- 3 | SPECIFICATION PAGE B9- 4 | NOMENCLATURE PAGE B9- 5 | DIMENSIONS PAGE B9- 16 |
|---------------------------------|-----------------------------|----------------------------|---------------------------|

SELECTION



UNISPHERE II BEARING SUPPORTING RADIAL LOADS ONLY

1. Define L_{10} Life Hours desired.
2. Establish bearing radial load, F_R
($F_R = P$ for Pure Radial Load Conditions). The DODGE program BEST™* can be used to find application loads.
3. Establish RPM.

Using the easy selection Table 1 on page B9- 9 , find, under the RPM column, the equivalent radial load that equals or is slightly higher than the application radial load for the desired life. The shaft size on the far left will be the minimum shaft size that you can use for your application.

If the desired life is different than the values shown on the chart, use alternate Method A shown below.

- Example: 1. L_{10} Life = 30,000 Hours
 2. Radial load = 4000 lbs.
 3. RPM = 1,000

At the intersection of the 1,000 RPM column and the 30,000 hours L_{10} life row, the equivalent radial load of 4011 lbs. exceeds the 4000 lbs. radial load for shaft size 2-7/16". A bearing with bore 2-7/16", or larger, may be used for this application.

ALTERNATE METHOD A - SELECTING A BEARING FOR AN L_{10} LIFE VALUE NOT SHOWN IN THE EASY SELECTION CHART.

The L_{10} life equation can be rearranged so that the bearing dynamic capacity C is identified in terms of L_{10} , RPM and P

$$C = \left(\frac{L_{10} \times \text{RPM}}{16667} \right)^{0.3} \times P$$

($P = F_R$ for Pure Radial Load Conditions)

Since the L_{10} , RPM and P are known, solve for C . Select from the dynamic capacity column on Table 1 on page B9-9 the C value equal to or greater than the C value just calculated. The bore size on the far left represents the proper bore size selection. Check that the application RPM does not exceed the MAX. RPM on Table 1 on page B9-9 . Also check that the radial load does not exceed the Maximum Allowable Slip Fit Radial Load shown on Table 1. If it does, a line-to-line to light press fit of shaft is required. When selecting an L_{10} life of less than 30,000 hours, particular attention must be paid to shaft deflection and proper lubricant selection.

SELECTING BEARINGS SUPPORTING COMBINATION RADIAL AND THRUST LOADS

When a bearing supports both a radial load and a thrust load, the loading on the two rows is shared unequally depending on the ratio of thrust to radial load. The use of the X (radial factor) and Y (thrust factor) from Table 1 converts the applied thrust load and radial loads to an equivalent radial load having the same effect on the life of the bearing as a radial load of this magnitude.

$$\text{The equivalent radial load } P = XF_R + YF_A$$

Where:

- P = Equivalent radial load, lbs.
- F_R = Radial load, lbs. (see Table 1 for allowable slip fit maximum load)
- F_A = Thrust (axial) load, lbs.
- e = Thrust load to radial load factor (Table 1)★
- X = Radial load factor (Table 1)★
- Y = Thrust load factor (Table 1)★

★ The DODGE Bearing Evaluation and Selection Technique (BEST) is a menu driven computer program that calculates bearing loads, fatigue life and operating temperature for a two bearing shaft system based on user supplied input parameters. This interactive web based program is available at www.dodgept.com. Use PT Wizard on line under the tools drop down box.

| | | | |
|---------------------------------|-----------------------------|----------------------------|---------------------------|
| FEATURES/BENEFITS PAGE B9- 3 | SPECIFICATION PAGE B9- 4 | NOMENCLATURE PAGE B9- 5 | DIMENSIONS PAGE B9- 16 |
|---------------------------------|-----------------------------|----------------------------|---------------------------|



SELECTION

UNISPHERE II

To find X and Y, calculate F_A/F_R and compare to **e** for the selected bore size. Determine X and Y from Table 1 on page B9- 9 depending on whether F_A/F_R is equal to or less than **e**, or F_A/F_R is greater than **e**. Substitute all known values into the equivalent radial load equation. P (equivalent radial load) can be used in the life formula to determine L_{10} , or it can be compared to the allowable equivalent radial load ratings for the speed and hours life desired in the easy selection Table 2 on page B9- 10.

special greases must be used. Contact DODGE Application Engineering (864-284-5700). DODGE engineers will recommend bearings and lubricants for the above unusual conditions. DODGE also has the expertise to custom design and build special bearings for your needs. The only maintenance requirement for DODGE Unitized roller bearings is periodic relubrication at regular intervals as outlined in the appropriate instruction manuals.

SELECTING BEARINGS SUPPORTING ONLY THRUST LOADS

Spherical Roller Bearings generally are not recommended for pure thrust load applications. However, they will perform satisfactorily under very light pure thrust loads. Consult DODGE Application Engineering (864-281-2195).

MISALIGNMENT CONSIDERATIONS

In nearly all applications, good design practice requires two bearings supporting the shaft. In cases where three or more bearings are installed, unless precautions are taken to line the bearings up both vertically and horizontally, it is possible to induce heavy loads. In the case of two bearings, alignment is not as critical, especially with DODGE Unitized Spherical Roller Bearings. UNISPHERE II bearings are designed to allow a maximum of $\pm 1^\circ$ of static and dynamic misalignment. However, for optimum seal performance, misalignment should be kept under $\pm 0.5^\circ$. To ensure good alignment, mounting surfaces must be checked for flatness and must lie in the same plane. When tightening base bolts, each bolt should be alternately tightened in incremental torque values until full torque is achieved to prevent the angular shifting of the pillow block that occurs when one bolt is tightened to its full torque. Shimming may be required to minimize misalignment.

SELECTING LUBRICATION

DODGE UNISPHERE II spherical roller bearings are lubricated at the factory with Mobilith AW2 grease. Mobilith AW2 grease is a superior industrial grease using a lithium complex thickener and highly refined base oil. This grease will adequately handle low and medium speeds with low and medium loads at normal temperatures as defined on Table 6 on page B9- 13. For very low and high speeds, for heavy loads and for low and high temperatures,

D-LOK

Type E Family

Specialty Tapered

S-2000

UNISPHERE II

| | | | |
|---------------------------------|-----------------------------|----------------------------|---------------------------|
| FEATURES/BENEFITS PAGE B9- 3 | SPECIFICATION PAGE B9- 4 | NOMENCLATURE PAGE B9- 5 | DIMENSIONS PAGE B9- 16 |
|---------------------------------|-----------------------------|----------------------------|---------------------------|

SELECTION



UNISPHERE II

Table 1: UNISPHERE II Spherical Roller Bearings Radial And Thrust Factors

| SHAFT SIZE INCH | BASIC BEARING DESCRIPTION | e | FA/FR ≤ e | | FA/FR ≥ e | | MAX. ALLOW. SLIP FIT RADIAL LOAD FR* LBS. | DYNAMIC CAPACITY (C) LBS. | STATIC CAPACITY Co | MAXIMUM RPM |
|--|---------------------------|-----|-----------|-----|-----------|-----|---|---------------------------|--------------------|-------------|
| | | | X | Y | X | Y | | | | |
| 1-1/8 1-3/16 1-1/4 1-3/8 1-7/16 1-1/2 | 22208 | .28 | 1 | 2.4 | .67 | 3.6 | 3,750 | 20,800 | 21,000 | 3,000 |
| 1-5/8 1-11/16 1-3/4 | 22209 | .26 | 1 | 2.6 | .67 | 3.9 | 3,750 | 20,800 | 22,000 | 2,800 |
| 1-7/8 1-15/16 2 | 22210 | .24 | 1 | 2.8 | .67 | 4.2 | 4,000 | 22,000 | 24,000 | 2,625 |
| 2-3/16 2-1/4 | 22211 | .23 | 1 | 2.9 | .67 | 4.3 | 4,860 | 27,000 | 29,000 | 2,325 |
| 2-3/8 2-7/16 2-1/2 | 22213 | .24 | 1 | 2.8 | .67 | 4.2 | 6,840 | 39,000 | 47,500 | 1,900 |
| 2-11/16 2-3/4 2-15/16 3 | 22215 | .22 | 1 | 3.1 | .67 | 4.6 | 7,500 | 41,500 | 53,000 | 1,700 |
| 3-3/16 3-1/4 3-7/16 3-1/2 | 22218 | .23 | 1 | 2.9 | .67 | 4.3 | 11,500 | 65,500 | 81,500 | 1,400 |
| 3-11/16 3-15/16 4 | 22220 | .24 | 1 | 2.8 | .67 | 4.2 | 14,400 | 83,000 | 104,000 | 1,250 |

* If load exceeds "Max. allowable slip fit load," line to line to light press fit of shaft required. Maximum slip fit radial loads apply if recommended shaft sizes are used.

| | | | |
|---------------------------------|-----------------------------|----------------------------|---------------------------|
| FEATURES/BENEFITS PAGE B9- 3 | SPECIFICATION PAGE B9- 4 | NOMENCLATURE PAGE B9- 5 | DIMENSIONS PAGE B9- 16 |
|---------------------------------|-----------------------------|----------------------------|---------------------------|

SELECTION



UNISPHERE II

Table 2: UNISPHERE II Metric Spherical Roller Bearing

| SHAFT MM | BASIC BEARING DESCRIPTION | e | FA/FR ≤ e | | FA/FR ≥ e | | MAX. ALLOW. SLIP FIT RADIAL LOAD FR* kN | DYNAMIC CAPACITY (C) kN | MAXIMUM RPM |
|----------------|---------------------------------|------|-----------|-----|-----------|-----|---|----------------------------------|----------------|
| | | | X | Y | X | Y | | | |
| 30 35 | 22208 | 0.28 | 1 | 2.4 | 0.67 | 3.6 | 17 | 93 | 3000 |
| 40 45 | 22209 | 0.26 | 1 | 2.6 | 0.67 | 3.9 | 17 | 93 | 2800 |
| 50 | 22210 | 0.24 | 1 | 2.8 | 0.67 | 4.2 | 18 | 98 | 2625 |
| 55 | 22211 | 0.23 | 1 | 2.9 | 0.67 | 4.3 | 22 | 120 | 2325 |
| 60 65 | 22213 | 0.24 | 1 | 2.8 | 0.67 | 4.2 | 30 | 169 | 1900 |
| 70 75 | 22215 | 0.22 | 1 | 3.1 | 0.67 | 4.6 | 33 | 185 | 1700 |
| 80 85 90 | 22218 | 0.23 | 1 | 2.9 | 0.67 | 4.3 | 51 | 285 | 1400 |

* If load exceeds "Max. allowable slip fit load," line to line to light press fit of shaft required. Maximum slop fit radial loads apply if recommended shaft sizes are used.

D-LOK

Type E Family

Specialty Tapered

S-2000

UNISPHERE II

| | | | |
|---------------------------------|-----------------------------|----------------------------|---------------------------|
| FEATURES/BENEFITS PAGE B9- 3 | SPECIFICATION PAGE B9- 4 | NOMENCLATURE PAGE B9- 5 | DIMENSIONS PAGE B9- 16 |
|---------------------------------|-----------------------------|----------------------------|---------------------------|



UNISPHERE II

Table 3: Easy Selection Table for UNISPHERE Double Row Spherical Roller Bearings

| Shaft Size Inches | L10 Life Hours | Allowable Equivalent Radial Load Rating (lbs.) at Various Revolutions per Minute | | | | | | | | | | | | | | |
|-------------------|----------------|--|--------|--------|--------|--------|--------|--------|--------|-------|-------|-------|-------|-------|-------|-------|
| | | 50 | 100 | 150 | 250 | 500 | 870 | 1,020 | 1,250 | 1,400 | 1,700 | 1,900 | 2,325 | 2,625 | 2,800 | 3000 |
| 1-3/8 to 1-1/2 | 10,000 | 7,498 | 6,090 | 5,393 | 4,626 | 3,758 | 3,182 | 3,034 | 2,855 | 2,759 | 2,603 | 2,518 | 2,370 | 2,285 | 2,241 | 2,195 |
| | 30,000 | 5,393 | 4,380 | 3,878 | 3,327 | 2,703 | 2,289 | 2,182 | 2,053 | 1,984 | 1,872 | 1,811 | 1,704 | 1,643 | 1,612 | 1,579 |
| | 40,000 | 4,947 | 4,018 | 3,558 | 3,052 | 2,479 | 2,100 | 2,002 | 1,883 | 1,820 | 1,717 | 1,661 | 1,563 | 1,508 | 1,479 | 1,448 |
| | 60,000 | 4,380 | 3,558 | 3,150 | 2,703 | 2,195 | 1,859 | 1,773 | 1,668 | 1,612 | 1,521 | 1,471 | 1,384 | 1,335 | 1,309 | 1,282 |
| | 100,000 | 3,758 | 3,052 | 2,703 | 2,319 | 1,883 | 1,595 | 1,521 | 1,431 | 1,383 | 1,305 | 1,262 | 1,188 | 1,145 | 1,123 | 1,100 |
| 1-11/16 to 1-3/4 | 10,000 | 7,498 | 6,090 | 5,393 | 4,626 | 3,758 | 3,182 | 3,034 | 2,855 | 2,759 | 2,603 | 2,518 | 2,370 | 2,285 | 2,241 | 2,195 |
| | 30,000 | 5,393 | 4,380 | 3,878 | 3,327 | 2,703 | 2,289 | 2,182 | 2,053 | 1,984 | 1,872 | 1,811 | 1,704 | 1,643 | 1,612 | 1,579 |
| | 40,000 | 4,947 | 4,018 | 3,558 | 3,052 | 2,479 | 2,100 | 2,002 | 1,883 | 1,820 | 1,717 | 1,661 | 1,563 | 1,508 | 1,479 | 1,448 |
| | 60,000 | 4,380 | 3,558 | 3,150 | 2,703 | 2,195 | 1,859 | 1,773 | 1,668 | 1,612 | 1,521 | 1,471 | 1,384 | 1,335 | 1,309 | 1,282 |
| | 100,000 | 3,758 | 3,052 | 2,703 | 2,319 | 1,883 | 1,595 | 1,521 | 1,431 | 1,383 | 1,305 | 1,262 | 1,188 | 1,145 | 1,123 | 1,100 |
| 1-15/16 to 2 | 10,000 | 7930 | 6441 | 5704 | 4893 | 3975 | 3366 | 3209 | 3019 | 2918 | 2753 | 2663 | 2506 | 2417 | | |
| | 30,000 | 5704 | 4633 | 4102 | 3519 | 2859 | 2421 | 2308 | 2172 | 2099 | 1980 | 1915 | 1803 | 1738 | | |
| | 40,000 | 5232 | 4250 | 3763 | 3228 | 2622 | 2221 | 2117 | 1992 | 1925 | 1817 | 1757 | 1654 | 1595 | | |
| | 60,000 | 4633 | 3763 | 3332 | 2859 | 2322 | 1966 | 1875 | 1764 | 1705 | 1608 | 1556 | 1464 | 1412 | | |
| | 100,000 | 3975 | 3228 | 2859 | 2452 | 1992 | 1687 | 1608 | 1513 | 1463 | 1380 | 1335 | 1256 | 1211 | | |
| 2-3/16 | 10,000 | 9,733 | 7,905 | 7,000 | 6,005 | 4,878 | 4,131 | 3,939 | 3,706 | 3,582 | 3,379 | 3,268 | 3,076 | | | |
| | 30,000 | 7,000 | 5,686 | 5,035 | 4,319 | 3,508 | 2,971 | 2,833 | 2,665 | 2,576 | 2,430 | 2,350 | 2,212 | | | |
| | 40,000 | 6,421 | 5,216 | 4,618 | 3,962 | 3,218 | 2,726 | 2,599 | 2,445 | 2,363 | 2,229 | 2,156 | 2,029 | | | |
| | 60,000 | 5,686 | 4,618 | 4,089 | 3,508 | 2,850 | 2,413 | 2,301 | 2,165 | 2,092 | 1,974 | 1,909 | 1,797 | | | |
| | 100,000 | 4,878 | 3,962 | 3,508 | 3,010 | 2,445 | 2,070 | 1,974 | 1,857 | 1,795 | 1,694 | 1,638 | 1,542 | | | |
| 2-7/16 to 2-1/2 | 10,000 | 14,058 | 11,419 | 10,111 | 8,674 | 7,046 | 5,967 | 5,689 | 5,352 | 5,173 | 4,881 | 4,721 | | | | |
| | 30,000 | 10,111 | 8,213 | 7,272 | 6,239 | 5,068 | 4,292 | 4,092 | 3,850 | 3,721 | 3,510 | 3,395 | | | | |
| | 40,000 | 9,275 | 7,534 | 6,671 | 5,723 | 4,649 | 3,937 | 3,753 | 3,531 | 3,413 | 3,220 | 3,114 | | | | |
| | 60,000 | 8,213 | 6,671 | 5,907 | 5,068 | 4,116 | 3,486 | 3,324 | 3,127 | 3,022 | 2,851 | 2,758 | | | | |
| | 100,000 | 7,046 | 5,723 | 5,068 | 4,348 | 3,531 | 2,991 | 2,851 | 2,683 | 2,593 | 2,446 | 2,366 | | | | |
| 2-11/16 to 3 | 10,000 | 14,959 | 12,151 | 10,759 | 9,230 | 7,497 | 6,350 | 6,054 | 5,696 | 5,505 | 5,194 | | | | | |
| | 30,000 | 10,759 | 8,739 | 7,738 | 6,639 | 5,392 | 4,567 | 4,354 | 4,096 | 3,959 | 3,735 | | | | | |
| | 40,000 | 9,870 | 8,017 | 7,098 | 6,090 | 4,946 | 4,189 | 3,994 | 3,758 | 3,632 | 3,427 | | | | | |
| | 60,000 | 8,739 | 7,098 | 6,285 | 5,392 | 4,380 | 3,709 | 3,537 | 3,327 | 3,216 | 3,034 | | | | | |
| | 100,000 | 7,497 | 6,090 | 5,392 | 4,626 | 3,758 | 3,182 | 3,034 | 2,855 | 2,759 | 2,603 | | | | | |
| 3-7/16 to 3-1/2 | 10,000 | 23,611 | 19,178 | 16,981 | 14,569 | 11,833 | 10,022 | 9,555 | 8,989 | 8,689 | | | | | | |
| | 30,000 | 16,981 | 13,793 | 12,213 | 10,478 | 8,511 | 7,208 | 6,872 | 6,465 | 6,249 | | | | | | |
| | 40,000 | 15,577 | 12,653 | 11,203 | 9,612 | 7,807 | 6,612 | 6,304 | 5,931 | 5,732 | | | | | | |
| | 60,000 | 13,793 | 11,203 | 9,920 | 8,511 | 6,913 | 5,855 | 5,582 | 5,251 | 5,076 | | | | | | |
| | 100,000 | 11,833 | 9,612 | 8,511 | 7,302 | 5,931 | 5,023 | 4,789 | 4,505 | 4,355 | | | | | | |
| 3-15/16 to 4 | 10,000 | 29,919 | 24,302 | 21,518 | 18,461 | 14,995 | 12,699 | 12,108 | 11,391 | | | | | | | |
| | 30,000 | 21,518 | 17,478 | 15,476 | 13,278 | 10,785 | 9,134 | 8,708 | 8,193 | | | | | | | |
| | 40,000 | 19,739 | 16,033 | 14,197 | 12,180 | 9,893 | 8,378 | 7,988 | 7,515 | | | | | | | |
| | 60,000 | 17,478 | 14,197 | 12,571 | 10,785 | 8,760 | 7,419 | 7,073 | 6,655 | | | | | | | |
| | 100,000 | 14,995 | 12,180 | 10,785 | 9,252 | 7,515 | 6,365 | 6,068 | 5,709 | | | | | | | |

In the light shaded area, a line-to-line to light press fit on the shaft is required.

| | | | |
|---------------------------------|-----------------------------|----------------------------|---------------------------|
| FEATURES/BENEFITS PAGE B9- 3 | SPECIFICATION PAGE B9- 4 | NOMENCLATURE PAGE B9- 5 | DIMENSIONS PAGE B9- 16 |
|---------------------------------|-----------------------------|----------------------------|---------------------------|



SELECTION



UNISPHERE II

Table 4: Easy Selection Table for Metric UNISPHERE Double Row Spherical Roller Bearings

| Shaft Size mm | L10 Life Hours | Allowable Equivalent Radial Load Rating (Newtons) at Various Revolutions per Minute | | | | | | | | | | | | | | |
|----------------|----------------|---|--------|--------|--------|--------|--------|--------|--------|--------|--------|--------|--------|--------|-------|-------|
| | | 50 | 100 | 150 | 250 | 500 | 870 | 1,020 | 1,250 | 1,400 | 1,700 | 1,900 | 2,325 | 2,625 | 2,800 | 3000 |
| 30 35 | 10,000 | 33,365 | 27,101 | 23,997 | 20,587 | 16,722 | 14,162 | 13,502 | 12,703 | 12,278 | 11,584 | 11,204 | 10,545 | 10,168 | 9,973 | 9,769 |
| | 30,000 | 23,997 | 19,492 | 17,259 | 14,807 | 12,027 | 10,186 | 9,711 | 9,136 | 8,831 | 8,331 | 8,058 | 7,584 | 7,313 | 7,173 | 7,026 |
| | 40,000 | 22,013 | 17,880 | 15,832 | 13,583 | 11,032 | 9,343 | 8,908 | 8,381 | 8,101 | 7,642 | 7,392 | 6,957 | 6,709 | 6,580 | 6,445 |
| | 60,000 | 19,492 | 15,832 | 14,019 | 12,027 | 9,769 | 8,273 | 7,888 | 7,421 | 7,173 | 6,767 | 6,545 | 6,160 | 5,940 | 5,826 | 5,707 |
| | 100,000 | 16,722 | 13,583 | 12,027 | 10,318 | 8,381 | 7,098 | 6,767 | 6,367 | 6,154 | 5,806 | 5,615 | 5,285 | 5,096 | 4,998 | 4,896 |
| 40 45 | 10,000 | 33,350 | 27,089 | 23,986 | 20,578 | 16,715 | 14,156 | 13,496 | 12,697 | 12,273 | 11,578 | 11,198 | 10,540 | 10,164 | 9,969 | |
| | 30,000 | 23,986 | 19,483 | 17,251 | 14,800 | 12,021 | 10,181 | 9,707 | 9,132 | 8,827 | 8,327 | 8,054 | 7,581 | 7,310 | 7,170 | |
| | 40,000 | 22,003 | 17,872 | 15,825 | 13,576 | 11,027 | 9,339 | 8,904 | 8,377 | 8,097 | 7,639 | 7,388 | 6,954 | 6,705 | 6,577 | |
| | 60,000 | 19,483 | 15,825 | 14,012 | 12,021 | 9,764 | 8,270 | 7,884 | 7,418 | 7,170 | 6,764 | 6,542 | 6,158 | 5,937 | 5,824 | |
| | 100,000 | 16,715 | 13,576 | 12,021 | 10,313 | 8,377 | 7,095 | 6,764 | 6,364 | 6,151 | 5,803 | 5,613 | 5,283 | 5,094 | 4,996 | |
| 50 | 10,000 | 35,290 | 28,664 | 25,381 | 21,775 | 17,687 | 14,979 | 14,281 | 13,436 | 12,987 | 12,252 | 11,850 | 11,154 | 10,755 | | |
| | 30,000 | 25,381 | 20,616 | 18,255 | 15,661 | 12,721 | 10,773 | 10,271 | 9,663 | 9,340 | 8,812 | 8,523 | 8,022 | 7,735 | | |
| | 40,000 | 23,283 | 18,911 | 16,745 | 14,366 | 11,669 | 9,883 | 9,422 | 8,864 | 8,568 | 8,083 | 7,818 | 7,359 | 7,096 | | |
| | 60,000 | 20,616 | 16,745 | 14,828 | 12,721 | 10,333 | 8,751 | 8,343 | 7,849 | 7,587 | 7,158 | 6,923 | 6,516 | 6,283 | | |
| | 100,000 | 17,687 | 14,366 | 12,721 | 10,913 | 8,864 | 7,507 | 7,158 | 6,734 | 6,509 | 6,141 | 5,939 | 5,590 | 5,390 | | |
| 55 | 10,000 | 43,291 | 35,163 | 31,136 | 26,712 | 21,697 | 18,375 | 17,519 | 16,482 | 15,931 | 15,030 | 14,536 | 13,682 | | | |
| | 30,000 | 31,136 | 25,290 | 22,394 | 19,212 | 15,605 | 13,216 | 12,600 | 11,854 | 11,458 | 10,810 | 10,455 | 9,841 | | | |
| | 40,000 | 28,561 | 23,199 | 20,542 | 17,623 | 14,315 | 12,123 | 11,558 | 10,874 | 10,511 | 9,916 | 9,591 | 9,027 | | | |
| | 60,000 | 25,290 | 20,542 | 18,189 | 15,605 | 12,675 | 10,735 | 10,234 | 9,629 | 9,307 | 8,780 | 8,492 | 7,993 | | | |
| | 100,000 | 21,697 | 17,623 | 15,605 | 13,388 | 10,874 | 9,209 | 8,780 | 8,261 | 7,984 | 7,533 | 7,286 | 6,857 | | | |
| 60 65 | 10,000 | 62,531 | 50,791 | 44,974 | 38,584 | 31,340 | 26,542 | 25,305 | 23,807 | 23,012 | 21,710 | 20,997 | | | | |
| | 30,000 | 44,974 | 36,530 | 32,346 | 27,750 | 22,540 | 19,089 | 18,200 | 17,123 | 16,551 | 15,614 | 15,102 | | | | |
| | 40,000 | 41,255 | 33,510 | 29,672 | 25,456 | 20,677 | 17,511 | 16,695 | 15,707 | 15,182 | 14,323 | 13,853 | | | | |
| | 60,000 | 36,530 | 29,672 | 26,273 | 22,540 | 18,308 | 15,505 | 14,783 | 13,908 | 13,443 | 12,683 | 12,266 | | | | |
| | 100,000 | 31,340 | 25,456 | 22,540 | 19,338 | 15,707 | 13,302 | 12,683 | 11,932 | 11,533 | 10,881 | 10,524 | | | | |
| 70 75 | 10,000 | 66,539 | 54,047 | 47,857 | 41,057 | 33,349 | 28,243 | 26,927 | 25,334 | 24,487 | 23,101 | | | | | |
| | 30,000 | 47,857 | 38,872 | 34,420 | 29,529 | 23,985 | 20,313 | 19,367 | 18,221 | 17,611 | 16,615 | | | | | |
| | 40,000 | 43,900 | 35,658 | 31,574 | 27,088 | 22,002 | 18,634 | 17,765 | 16,714 | 16,155 | 15,241 | | | | | |
| | 60,000 | 38,872 | 31,574 | 27,957 | 23,985 | 19,482 | 16,499 | 15,731 | 14,800 | 14,305 | 13,496 | | | | | |
| | 100,000 | 33,349 | 27,088 | 23,985 | 20,577 | 16,714 | 14,155 | 13,496 | 12,697 | 12,272 | 11,578 | | | | | |
| 80 85 90 | 10,000 | 105,020 | 85,303 | 75,533 | 64,801 | 52,635 | 44,577 | 42,499 | 39,984 | 38,648 | | | | | | |
| | 30,000 | 75,533 | 61,352 | 54,325 | 46,606 | 37,856 | 32,061 | 30,567 | 28,758 | 27,796 | | | | | | |
| | 40,000 | 69,287 | 56,279 | 49,833 | 42,753 | 34,726 | 29,410 | 28,039 | 26,380 | 25,498 | | | | | | |
| | 60,000 | 61,352 | 49,833 | 44,126 | 37,856 | 30,749 | 26,041 | 24,828 | 23,358 | 22,578 | | | | | | |
| | 100,000 | 52,635 | 42,753 | 37,856 | 32,477 | 26,380 | 22,341 | 21,300 | 20,040 | 19,370 | | | | | | |

In the light shaded area, a line-to-line to light press fit on the shaft is required.

| | | | |
|---------------------------------|-----------------------------|----------------------------|---------------------------|
| FEATURES/BENEFITS PAGE B9- 3 | SPECIFICATION PAGE B9- 4 | NOMENCLATURE PAGE B9- 5 | DIMENSIONS PAGE B9- 16 |
|---------------------------------|-----------------------------|----------------------------|---------------------------|

SELECTION



UNISPHERE II

Table 5: UNISPHERE II Maximum Axial Expansion - Inch And Metric

| BORE SIZE INCHES | MAXIMUM EXPANSION INCHES |
|------------------|--------------------------|
| 1-7/16 to 1-1/2 | 5/32 |
| 1-11/16 to 1-3/4 | 5/32 |
| 1-15/16 to 2 | 5/32 |
| 2-3/16 | 5/32 |
| 2-7/16 to 2-1/2 | 3/16 |
| 2-11/16 to 3 | 3/16 |
| 3-7/16 to 3-1/2 | 3/16 |
| 3-15/16 to 4 | 7/32 |

| BORE SIZE mm | MAXIMUM EXPANSION mm |
|--------------|----------------------|
| - | - |
| 40, 45 | 3.9 |
| 50, 55 | 3.9 |
| 60, 65 | 4.7 |
| 70, 75 | 4.7 |
| 80, 85, 90 | 4.7 |

Table 6: Definition Of Operating Conditions For Unitized Spherical Roller Bearings

| | |
|---|---|
| LOW SPEED MEDIUM SPEED HIGH SPEED | UP TO 20% OF MAX. RPM (TABLE 1) OVER 20% TO 80% OF MAX. RPM OVER 80% OF MAX. RPM |
| LIGHT LOAD NORMAL LOAD HEAVY LOAD | UP TO 8% OF C (TABLE 1) OVER 8% TO 18% OF C OVER 18% OF C C = DYNAMIC CAPACITY |
| LOW TEMPERATURE MEDIUM TEMPERATURE HIGH TEMPERATURE | 20°F TO -100°F OVER 20°F TO 200°F OVER 200°F TO 400°F |

| | | | |
|---------------------------------|-----------------------------|----------------------------|---------------------------|
| FEATURES/BENEFITS PAGE B9- 3 | SPECIFICATION PAGE B9- 4 | NOMENCLATURE PAGE B9- 5 | DIMENSIONS PAGE B9- 16 |
|---------------------------------|-----------------------------|----------------------------|---------------------------|



UNISPHERE II

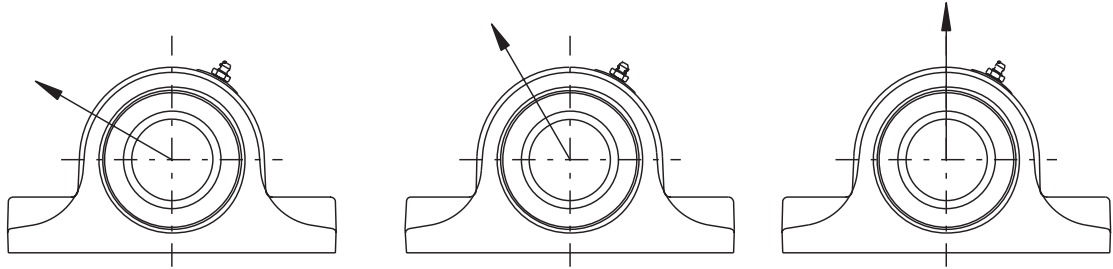


Table 7: UNISPHERE II Housing Ratings, Ductile*

| Bore Size | Pillow Block Designation | Max. Recommended Housing Cap Loads | | |
|-----------------|--------------------------|------------------------------------|---------|---------|
| | | P120 lb | P150 lb | P180 lb |
| 1-1/8 to 1-1/2 | UN2107 | 5500 | 6750 | 8000 |
| 1-5/8 to 1-3/4 | UN2111 | 6800 | 8600 | 10000 |
| 1-7/8 to 2 | UN2115 | 8000 | 9900 | 11700 |
| 2-3/16 to 2-1/4 | UN2203 | 10200 | 12500 | 14800 |
| 2-3/8 to 2-1/2 | UN2207 | 10200 | 12400 | 14900 |
| 2-11/16 to 3 | UN2215 | 12900 | 15900 | 18900 |
| 3-3/16 to 3-1/2 | UN2307 | 11900 | 14600 | 17400 |
| 3-11/16 to 4 | UN2315 | 16900 | 20800 | 24600 |

* When utilizing heavy cap loads on pillow block housings, the installation must adhere to the following procedures:

1. The pillow block base bolts must be of **high strength (Grade 8) bolts and properly tightened** to mounting structure.
2. Stop bars (shear strips) should be used against the plummer block where side loads are encountered.
3. In all cases where loads are heavy, the L10 life of the bearing should be checked for proper selection and life requirements.

| | | | |
|---------------------------------|-----------------------------|----------------------------|---------------------------|
| FEATURES/BENEFITS PAGE B9- 3 | SPECIFICATION PAGE B9- 4 | NOMENCLATURE PAGE B9- 5 | DIMENSIONS PAGE B9- 16 |
|---------------------------------|-----------------------------|----------------------------|---------------------------|



UNISPHERE II

D-LOK

Type E Family

Speciality Tapered

S-2000

UNISPHERE II

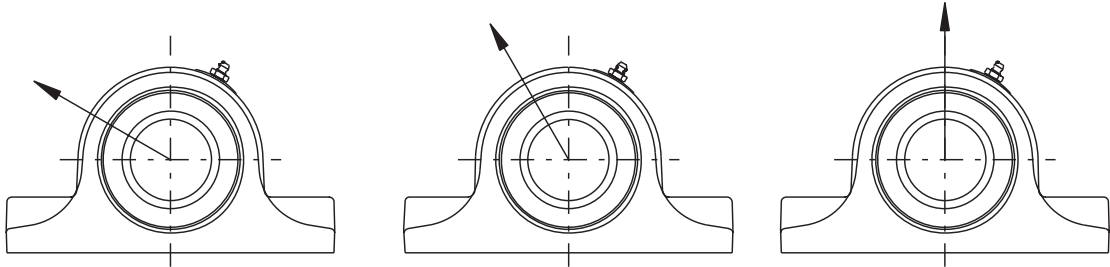


Table 8: Metric UNISPHERE II Housing Ratings, Ductile*

| Plummer Block Designation | Max. Recommended Housing Cap Loads | | |
|---------------------------|------------------------------------|------------|------------|
| | P120 kN | P150 kN | P180 kN |
| UN2040M | 31 | 37 | 44 |
| UN2045M | 31 | 37 | 44 |
| UN2050M | 35 | 44 | 52 |
| UN2055M | 45 | 55 | 65 |
| UN2060M | 45 | 55 | 66 |
| UN2065M | 45 | 55 | 66 |
| UN2070M | 57 | 70 | 84 |
| UN2075M | 57 | 70 | 84 |
| UN2080M | 53 | 65 | 77 |
| UN2085M | 53 | 65 | 77 |
| UN2090M | 53 | 65 | 77 |

* When utilizing heavy cap loads on plummer block housings, the installation must adhere to the following procedures:

1. The plummer block base bolts must be of high strength (Grade 10.9) and properly tightened to mounting structure.
2. Stop bars (shear strips) should be used against the plummer block where side loads are encountered.
3. In all cases where loads are heavy, the L10 life of the bearing should be checked for proper selection and life requirements.

NOTE: To convert kN to pounds-force, multiply kN by a factor of 225.+

| | | | |
|---------------------------------|-----------------------------|----------------------------|---------------------------|
| FEATURES/BENEFITS PAGE B9- 3 | SPECIFICATION PAGE B9- 4 | NOMENCLATURE PAGE B9- 5 | DIMENSIONS PAGE B9- 16 |
|---------------------------------|-----------------------------|----------------------------|---------------------------|



DIMENSIONS



UNISPHERE II Pillow Block - Inch

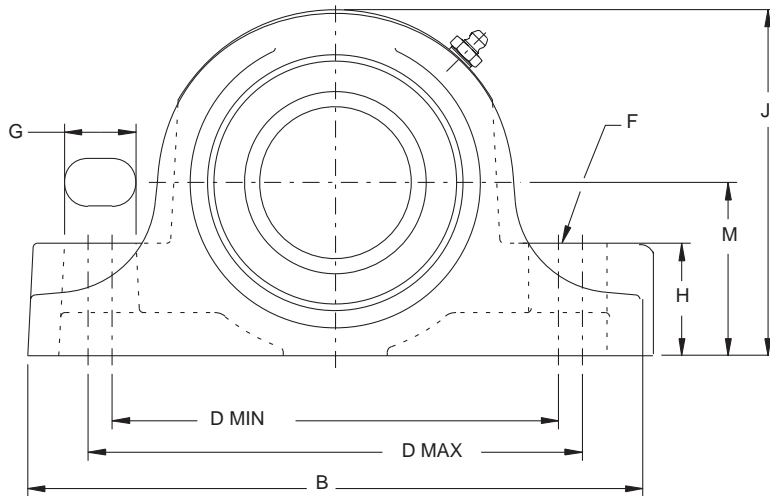
D-LOK

Type E Family

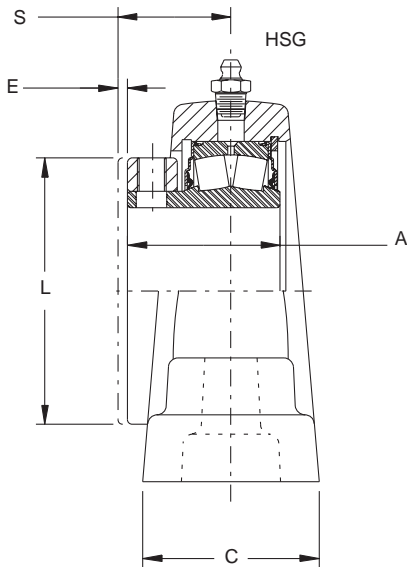
Specialty Tapered

S-2000

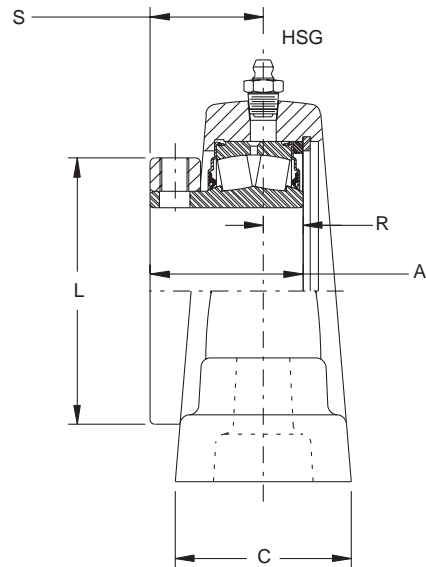
UNISPHERE II



NOTE: All sizes use a 1/8-27 NPT hydraulic grease fitting



EXPANSION



NON-EXPANSION

| | | | |
|---------------------------------|-----------------------------|----------------------------|-------------------------|
| FEATURES/BENEFITS PAGE B9- 3 | SPECIFICATION PAGE B9- 4 | NOMENCLATURE PAGE B9- 5 | SELECTION PAGE B9- 6 |
|---------------------------------|-----------------------------|----------------------------|-------------------------|

DIMENSIONS



UNISPHERE II Pillow Block - Inch

| Bearing | Shaft Size Inch Δ | NON-EXPANSION* | | EXPANSION | | Approx. Wt. Lbs. |
|---------|-------------------------|-----------------|-------------|-----------------|--------------|---------------------|
| | | PART NO. | PART NAME | PART NO. | PART NAME | |
| 22208 | 1-7/16 | 048000 | P2B-UN2-107 | 048017 | P2B-UN2-107E | 5.5 |
| | 1-1/2 | 048001 | P2B-UN2-108 | 048018 | P2B-UN2-108E | 5.4 |
| 22209 | 1-11/16 | 048002 | P2B-UN2-111 | 048019 | P2B-UN2-111E | 6.9 |
| | 1-3/4 | 048003 | P2B-UN2-112 | 048020 | P2B-UN2-112E | 6.8 |
| 22210 | 1-15/16 | 048004 | P2B-UN2-115 | 048021 | P2B-UN2-115E | 8.0 |
| | 2 | 048005 | P2B-UN2-200 | 048022 | P2B-UN2-200E | 7.6 |
| 22211 | 2-3/16 | 048006 | P2B-UN2-203 | 048023 | P2B-UN2-203E | 9.8 |
| 22213 | 2-7/16 | 048007 | P2B-UN2-207 | 048024 | P2B-UN2-207E | 13.6 |
| | 2-1/2 | 048008 | P2B-UN2-208 | 048025 | P2B-UN2-208E | 13.4 |
| 22215 | 2-11/16 | 048009 | P2B-UN2-211 | 048026 | P2B-UN2-211E | 19.3 |
| | 2-3/4 | 048010 † | P2B-UN2-212 | 048027 † | P2B-UN2-212E | 19.0 |
| | 2-15/16 | 048011 | P2B-UN2-215 | 048028 | P2B-UN2-215E | 18.2 |
| | 3 | 048012 | P2B-UN2-300 | 048029 | P2B-UN2-300E | 18.1 |
| 22218 | 3-7/16 | 048013 | P2B-UN2-307 | 048030 | P2B-UN2-307E | 28.4 |
| | 3-1/2 | 048014 † | P2B-UN2-308 | 048031 † | P2B-UN2-308E | 27.0 |
| 22220 | 3-15/16 | 048015 | P2B-UN2-315 | 048032 | P2B-UN2-315E | 37.4 |
| | 4 | 048016 † | P2B-UN2-400 | 048033 † | P2B-UN2-400E | 37.0 |

† Assembled to order. Consult DODGE for delivery.

Δ Consult DODGE for sizes not listed.

* Furnished unless otherwise specified.

UNISPHERE II - Pillow Block - Dimensions ●

| Shaft Size Inch | A | B | C | D | | E Total Exp. | F Bolt Dia. | G | H | J | L | M | R | S |
|----------------------------------|---------|---------|---------|---------|---------|--------------------|-------------------|---------|--------|---------|---------|-------|-------|---------|
| | | | | Min. | Max. | | | | | | | | | |
| 1-7/16 1-1/2 | 1-11/16 | 6-7/8 | 1-61/64 | 4-11/16 | 5-1/2 | 5/32 | 1/2 | 31/32 | 1-3/16 | 3-7/8 | 2-3/4 | 1-7/8 | 1/2 | 1-3/16 |
| 1-11/16 1-3/4 | 1-29/32 | 7-3/8 | 2-1/16 | 5-3/16 | 5-7/8 | 5/32 | 1/2 | 29/32 | 1-5/16 | 4-1/4 | 3 | 2-1/8 | 15/32 | 1-7/16 |
| 1-15/16 2 | 1-29/32 | 8-3/8 | 2-1/16 | 5-15/16 | 6-11/16 | 5/32 | 5/8 | 1-1/16 | 1-3/8 | 4-9/16 | 3-1/4 | 2-1/4 | 15/32 | 1-7/16 |
| 2-3/16 | 2 | 8-7/8 | 2-5/16 | 6-7/16 | 7-1/8 | 5/32 | 5/8 | 1-1/32 | 1-5/8 | 5 | 3-1/2 | 2-1/2 | 33/64 | 1-31/64 |
| 2-7/16 2-1/2 | 2-13/64 | 9-1/4 | 2-9/16 | 6-13/16 | 7-7/16 | 3/16 | 5/8 | 1 | 1-3/4 | 5-11/16 | 4-1/16 | 2-3/4 | 21/32 | 1-35/64 |
| 2-11/16 2-3/4 2-15/16 3 | 2-29/64 | 10-7/16 | 2-9/16 | 7-13/16 | 8-7/16 | 3/16 | 3/4 | 1-1/8 | 2-1/4 | 6-7/16 | 4-23/32 | 3-1/4 | 49/64 | 1-11/16 |
| 3-7/16 3-1/2 | 2-55/64 | 13 | 2-13/16 | 9-1/4 | 10-3/4 | 3/16 | 7/8 | 1-11/16 | 2-1/4 | 7-1/2 | 5-1/2 | 3-3/4 | 15/16 | 1-29/32 |
| 3-15/16 4 | 3-21/64 | 14-1/4 | 3-5/16 | 10 | 11-7/8 | 7/32 | 1 | 2 | 2-1/2 | 8-7/16 | 6-15/32 | 4-1/8 | 1-1/8 | 2-3/16 |

● Dimensions shown are for non-expansion units. The expansion bearing center and housing center are on the same centerline.

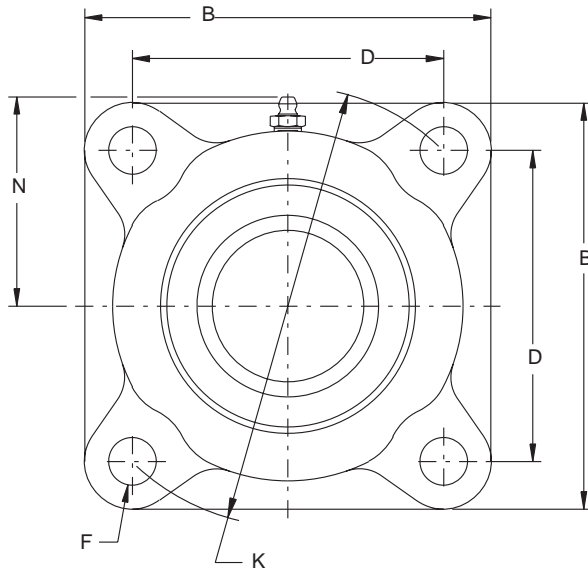
| | | | |
|---------------------------------|-----------------------------|----------------------------|-------------------------|
| FEATURES/BENEFITS PAGE B9- 3 | SPECIFICATION PAGE B9- 4 | NOMENCLATURE PAGE B9- 5 | SELECTION PAGE B9- 6 |
|---------------------------------|-----------------------------|----------------------------|-------------------------|



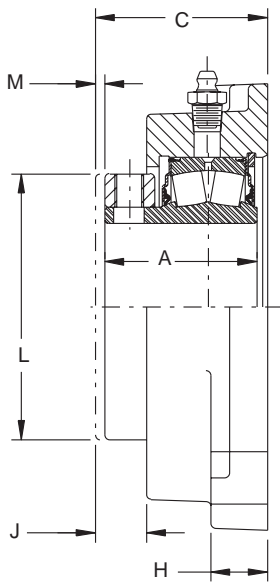
DIMENSIONS



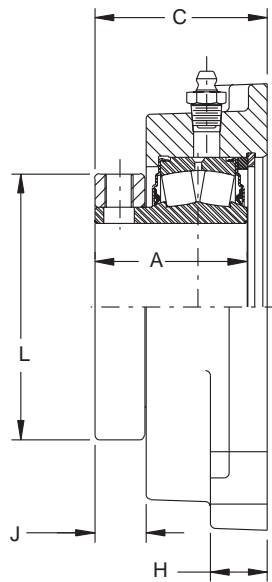
UNISPHERE II Flange Bearing - Inch 4-BOLT



NOTE: All sizes use a 1/8-27 NPT hydraulic grease fitting



EXPANSION



NON-EXPANSION

D-LOK

Type E Family

Specialty Tapered

S-2000

UNISPHERE II

| | | | |
|---------------------------------|-----------------------------|----------------------------|-------------------------|
| FEATURES/BENEFITS PAGE B9- 3 | SPECIFICATION PAGE B9- 4 | NOMENCLATURE PAGE B9- 5 | SELECTION PAGE B9- 6 |
|---------------------------------|-----------------------------|----------------------------|-------------------------|

DIMENSIONS



UNISPHERE II Flange Bearing - Inch 4-BOLT

| Bearing | Shaft Size Inch | NON-EXPANSION* | | EXPANSION | | Approx. Wt. Lbs. |
|---------|--------------------|-----------------|-------------|-----------------|--------------|---------------------|
| | | PART NO. | PART NAME | PART NO. | PART NAME | |
| 22208 | 1-7/16 | 048034 | F4B-UN2-107 | 048051 | F4B-UN2-107E | 5.20 |
| | 1-1/2 | 048035 | F4B-UN2-108 | 048052 | F4B-UN2-108E | 5.10 |
| 22209 | 1-11/16 | 048036 | F4B-UN2-111 | 048053 | F4B-UN2-111E | 6.70 |
| | 1-3/4 | 048037 | F4B-UN2-112 | 048054 | F4B-UN2-112E | 6.70 |
| 22210 | 1-15/16 | 048038 | F4B-UN2-115 | 048055 | F4B-UN2-115E | 6.90 |
| | 2 | 048039 | F4B-UN2-200 | 048056 | F4B-UN2-200E | 6.70 |
| 22211 | 2-3/16 | 048040 | F4B-UN2-203 | 048057 | F4B-UN2-203E | 8.40 |
| 22213 | 2-7/16 | 048041 | F4B-UN2-207 | 048058 | F4B-UN2-207E | 10.50 |
| | 2-1/2 | 048042 | F4B-UN2-208 | 048059 | F4B-UN2-208E | 10.40 |
| 22215 | 2-11/16 | 048043 | F4B-UN2-211 | 048060 † | F4B-UN2-211E | 17.30 |
| | 2-3/4 | 048044 | F4B-UN2-212 | 048061 † | F4B-UN2-212E | 17.00 |
| | 2-15/16 | 048045 | F4B-UN2-215 | 048062 | F4B-UN2-215E | 16.20 |
| | 3 | 048046 | F4B-UN2-300 | 048063 | F4B-UN2-300E | 15.90 |
| 22218 | 3-7/16 | 048047 | F4B-UN2-307 | 048064 | F4B-UN2-307E | 24.70 |
| | 3-1/2 | 048048 † | F4B-UN2-308 | 048065 † | F4B-UN2-308E | 30.00 |
| 22220 | 3-15/16 | 048049 | F4B-UN2-315 | 048066 | F4B-UN2-315E | 41.40 |
| | 4 | 048050 | F4B-UN2-400 | 048067 † | F4B-UN2-400E | 41.00 |

† Assembled to order. Consult DODGE for delivery.

Δ Consult DODGE for sizes not listed.

* Furnished unless otherwise specified.

UNISPHERE II 4-BOLT FLANGE DIMENSIONS ●

| Shaft Size Inch | A | B | C | D | F Bolt Dia. | H | J | K | L | M Total Exp. | N |
|----------------------------------|---------|---------|---------|---------|----------------|--------|--------|--------|---------|-----------------|---------|
| 1-7/16 1-1/2 | 1-11/16 | 4-3/4 | 1-29/32 | 3-17/32 | 1/2 | 3/4 | 9/16 | 5 | 2-3/4 | 5/32 | 2-7/16 |
| 1-11/16 1-3/4 | 1-29/32 | 5-1/8 | 2-5/32 | 3-29/32 | 1/2 | 3/4 | 23/32 | 5-1/2 | 3 | 5/32 | 2-3/4 |
| 1-15/16 2 | 1-29/32 | 5-5/16 | 2-11/64 | 4-1/16 | 1/2 | 11/16 | 45/64 | 5-3/4 | 3-1/4 | 5/32 | 2-7/8 |
| 2-3/16 | 2 | 5-7/8 | 2-17/64 | 4-1/2 | 5/8 | 3/4 | 43/64 | 6-3/8 | 3-1/2 | 5/32 | 3-1/16 |
| 2-7/16 2-1/2 | 2-13/64 | 6-1/8 | 2-7/16 | 4-25/32 | 5/8 | 1 | 5/8 | 6-3/4 | 4-1/16 | 3/16 | 3-3/8 |
| 2-11/16 2-3/4 2-15/16 3 | 2-29/64 | 7-3/16 | 2-19/32 | 5-9/16 | 3/4 | 15/16 | 25/32 | 7-7/8 | 4-23/32 | 3/16 | 3-13/16 |
| 3-7/16 3-1/2 | 2-55/64 | 8-11/32 | 3-5/64 | 6-23/32 | 3/4 | 1-3/16 | 55/64 | 9-1/2 | 5-1/2 | 3/16 | 4-5/16 |
| 3-15/16 4 | 3-21/64 | 9-15/32 | 3-11/16 | 7-5/8 | 7/8 | 1-1/16 | 1-3/64 | 10-3/4 | 6-15/32 | 7/32 | 4-11/16 |

● Dimensions shown are for non-expansion units.

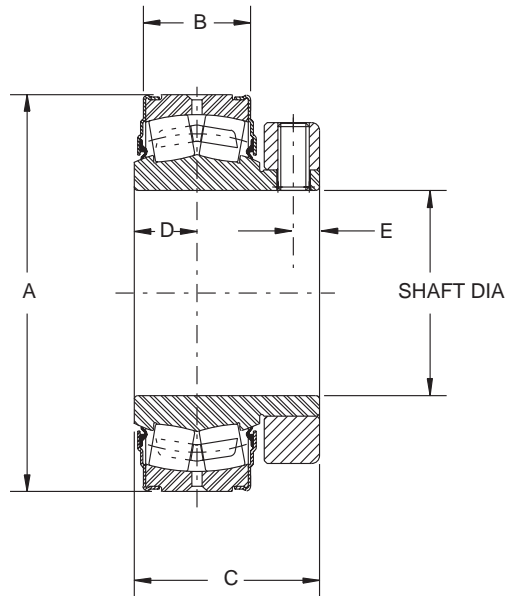
| | | | |
|---------------------------------|-----------------------------|----------------------------|-------------------------|
| FEATURES/BENEFITS PAGE B9- 3 | SPECIFICATION PAGE B9- 4 | NOMENCLATURE PAGE B9- 5 | SELECTION PAGE B9- 6 |
|---------------------------------|-----------------------------|----------------------------|-------------------------|



DIMENSIONS



UNISPHERE II Bearing Insert With Seal - Inch



| Bearing | Shaft Size Inch Δ | PART NO. \dagger | PART NAME | Approx. Wt. Lbs. |
|---------|--------------------------------|--------------------------|--------------|---------------------|
| 22208 | 1-7/16 | 421243 | BRG-UN2-107 | 1.5 |
| | 1-1/2 | 421244 | BRG-UN2-108 | 1.4 |
| 22209 | 1-11/16 | 421245 | BRG-UN2-111 | 1.6 |
| | 1-3/4 | 421246 | BRG-UN2-112 | 1.5 |
| 22210 | 1-15/16 | 421247 | BRG-UN2-115 | 1.8 |
| | 2 | 421248 | BRG-UN2-200 | 1.7 |
| 22211 | 2-3/16 | 421249 | BRG-UN2-203 | 2.3 |
| 22213 | 2-7/16 | 421250 | BRG-UN2-207 | 4.1 |
| | 2-1/2 | 421251 | BRG-UN2-208 | 3.9 |
| 22215 | 2-11/16 | 421252 | BRG-UN2-211 | 5.6 |
| | 2-3/4 | 421253 | BRG-UN2-212 | 5.4 |
| | 2-15/16 | 421254 | BRG-UN2-215 | 4.8 |
| | 3 | 421255 | BRG-UN2-300 | 4.6 |
| 22218 | 3-7/16 | 421256 | BRG-UN2-307 | 9.2 |
| | 3-1/2 | 421257 | BRG-UN2-308 | 8.6 |
| 22220 | 3-15/16 | 421258 | BRG-UN2-315 | 12.4 |
| | 4 | 421259 | BRG-UN2-400 | 12.1 |

\dagger Assembled-to-order size. Consult DODGE for delivery.

Δ Consult DODGE for sizes not listed.

| | | | |
|---------------------------------|-----------------------------|----------------------------|-------------------------|
| FEATURES/BENEFITS PAGE B9- 3 | SPECIFICATION PAGE B9- 4 | NOMENCLATURE PAGE B9- 5 | SELECTION PAGE B9- 6 |
|---------------------------------|-----------------------------|----------------------------|-------------------------|

DIMENSIONS



UNISPHERE II Bearing Insert With Seal - Inch

D-LOK

Type E Family

Speciality Tapered

S-2000

UNISPHERE II

UNISPHERE II BEARING INSERT DIMENSIONS

| Shaft Size Inch | A | B | C | D | E |
|----------------------------------|--------|--------|---------|-------|-------|
| 1-7/16 1-1/2 | 3.1496 | 0.9455 | 1-11/16 | 0.557 | 0.286 |
| 1-11/16 1-3/4 | 3.3465 | 0.9455 | 1-29/32 | 0.578 | 0.317 |
| 1-15/16 2 | 3.5433 | 0.9455 | 1-29/32 | 0.594 | 0.317 |
| 2-3/16 | 3.9370 | 1.0343 | 2 | 0.644 | 0.317 |
| 2-7/16 2-1/2 | 4.7244 | 1.2705 | 2-13/64 | 0.747 | 0.317 |
| 2-11/16 2-3/4 2-15/16 3 | 5.1181 | 1.2705 | 2-29/64 | 0.795 | 0.442 |
| 3-7/16 3-1/2 | 6.2992 | 1.6243 | 2-55/64 | 0.974 | 0.442 |
| 3-15/16 4 | 7.0866 | 1.8610 | 3-21/64 | 1.090 | 0.505 |

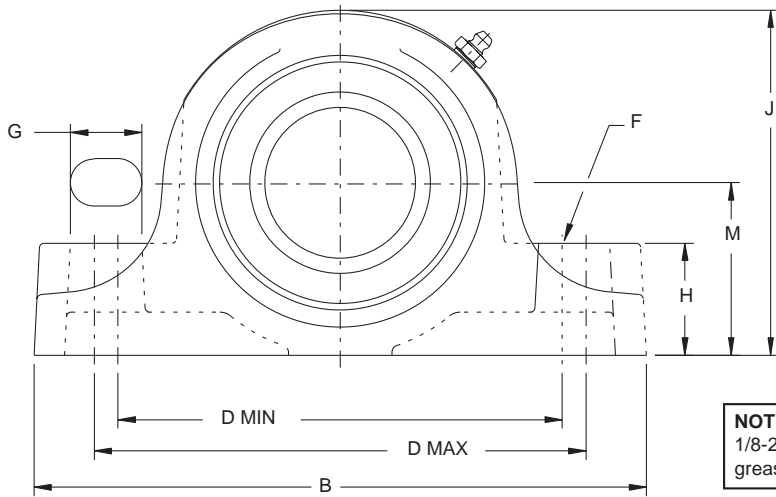
| | | | |
|---------------------------------|-----------------------------|----------------------------|-------------------------|
| FEATURES/BENEFITS PAGE B9- 3 | SPECIFICATION PAGE B9- 4 | NOMENCLATURE PAGE B9- 5 | SELECTION PAGE B9- 6 |
|---------------------------------|-----------------------------|----------------------------|-------------------------|



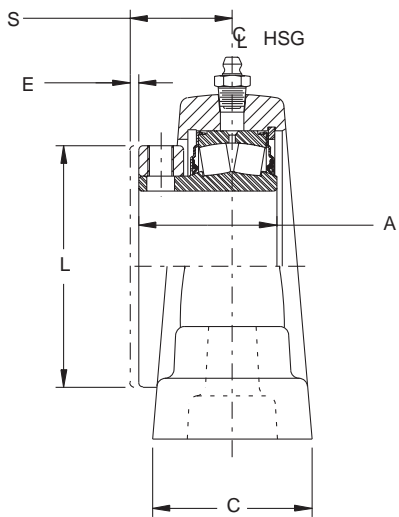
DIMENSIONS



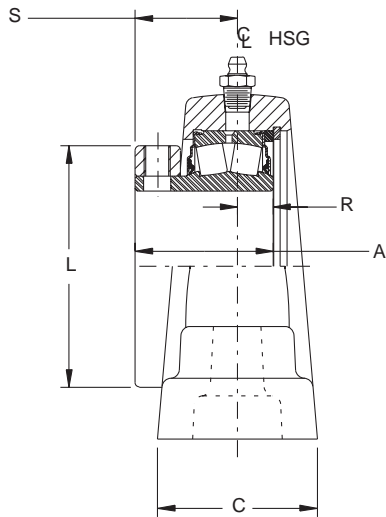
UNISPHERE II Plummer Block Bearing - Metric



NOTE: All sizes use a 1/8-27 NPT hydraulic grease fitting



EXPANSION



NON-EXPANSION

D-LOK

Type E Family

Specialty Tapered

S-2000

UNISPHERE II

| | | | |
|---------------------------------|-----------------------------|----------------------------|-------------------------|
| FEATURES/BENEFITS PAGE B9- 3 | SPECIFICATION PAGE B9- 4 | NOMENCLATURE PAGE B9- 5 | SELECTION PAGE B9- 6 |
|---------------------------------|-----------------------------|----------------------------|-------------------------|

DIMENSIONS



UNISPHERE II Plummer Block Bearing - Metric

| Bearing | Shaft Size Δ | NON-EXPANSION* | | EXPANSION | | Approximate Weight Kgs. |
|---------|-----------------|----------------|--------------|---------------|---------------|-------------------------------|
| | | PART NO. | PART NAME | PART NO. | PART NAME | |
| 22210 | 50 mm | 048109 | P2B-UN2-050M | 048124 | P2B-UN2-050ME | 3.4 |
| 22211 | 55 mm | 048110 | P2B-UN2-055M | 048125 | P2B-UN2-055ME | 4.4 |
| 22213 | 60 mm | 048111 | P2B-UN2-060M | 048126 | P2B-UN2-060ME | 6.2 |
| 22215 | 70 mm | 048113 | P2B-UN2-070M | 048128 | P2B-UN2-070ME | 8.6 |
| | 75 mm | 048114 | P2B-UN2-075M | 048129 | P2B-UN2-075ME | 8.3 |
| 22218 | 80 mm | 048115 | P2B-UN2-080M | 048130 | P2B-UN2-080ME | 12.9 |
| | 85 mm | 048116 | P2B-UN2-085M | 048131 | P2B-UN2-085ME | 12.6 |

† Assembled to order. Consult DODGE for delivery.

Δ Consult DODGE for sizes not listed.

* Furnished unless otherwise specified.

METRIC UNISPHERE II - PLUMMER BLOCK - DIMENSIONS (MM) ●

| Shaft Size | A mm | B mm | C mm | D | | E Total Exp. | F Bolt Dia. | G mm | H mm | J mm | L mm | M mm | R mm | S mm |
|---------------|---------|---------|---------|------|------|--------------------|-------------------|---------|---------|---------|---------|---------|---------|---------|
| | | | | Min. | Max. | | | | | | | | | |
| 50 mm | 48 | 213 | 52 | 151 | 170 | 3.9 | 16 | 27 | 35 | 116 | 83 | 57.1 | 12 | 37 |
| 55 mm | 51 | 225 | 59 | 164 | 181 | 3.9 | 16 | 26 | 41 | 127 | 89 | 63.5 | 13 | 38 |
| 60 mm | 56 | 235 | 65 | 173 | 189 | 4.7 | 16 | 25 | 44 | 144 | 103 | 69.8 | 17 | 39 |
| 70 mm | 62 | 265 | 65 | 198 | 214 | 4.7 | 20 | 29 | 57 | 164 | 120 | 82.5 | 19 | 43 |
| 75 mm | | | | | | | | | | | | | | |
| 80 mm | 73 | 330 | 71 | 235 | 273 | 4.7 | 22 | 43 | 57 | 190 | 140 | 95.2 | 24 | 48 |
| 85 mm | | | | | | | | | | | | | | |

● Dimensions shown are for non-expansion units. The expansion bearing center and housing center are on the same centerline.

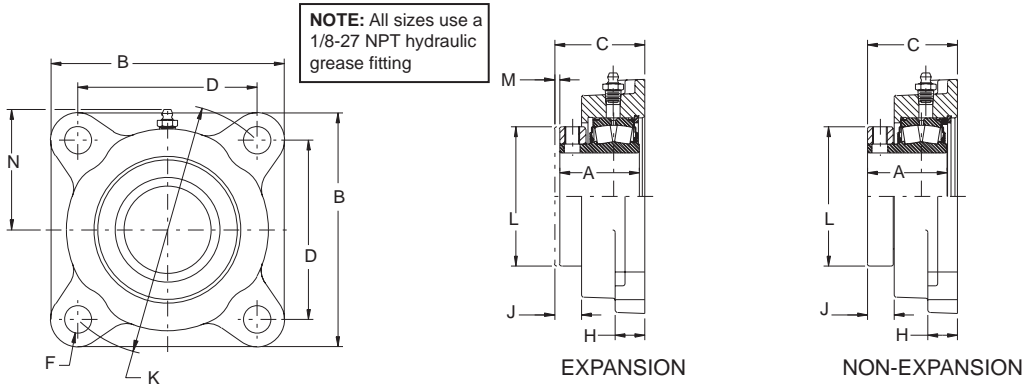
| | | | |
|---------------------------------|-----------------------------|----------------------------|-------------------------|
| FEATURES/BENEFITS PAGE B9- 3 | SPECIFICATION PAGE B9- 4 | NOMENCLATURE PAGE B9- 5 | SELECTION PAGE B9- 6 |
|---------------------------------|-----------------------------|----------------------------|-------------------------|



DIMENSIONS



UNISPHERE II Flange - Metric 4-BOLT



| Bearing | Shaft Size Δ | NON-EXPANSION* | | EXPANSION | | Approx. Wt. Kgs. |
|---------|-----------------|----------------|--------------|---------------|---------------|---------------------|
| | | PART NO. | PART NAME | PART NO. | PART NAME | |
| 22209 | 40 mm | 048202 | F4B-UN2-040M | 048216 | F4B-UN2-040ME | 3.1 |
| | 45 mm | 048203 | F4B-UN2-045M | 048217 | F4B-UN2-045ME | 3.1 |
| 22210 | 50 mm | 048204 | F4B-UN2-050M | 048218 | F4B-UN2-050ME | 3 |
| 22211 | 55 mm | 048205 | F4B-UN2-055M | 048219 | F4B-UN2-055ME | 3.8 |
| 22213 | 60 mm | 048206 | F4B-UN2-060M | 048220 | F4B-UN2-060ME | 4.8 |
| | 65 mm | 048207 | F4B-UN2-065M | 048221 | F4B-UN2-065ME | 4.6 |
| 22215 | 70 mm | 048208 | F4B-UN2-070M | 048222 | F4B-UN2-070ME | 8.2 |
| 22218 | 80 mm | 048210 | F4B-UN2-080M | 048224 | F4B-UN2-080ME | 11.2 |

† Assembled to order. Consult DODGE for delivery.

Δ Consult DODGE for sizes not listed.

* Furnished unless otherwise specified.

METRIC UNISPHERE II - 4-BOLT FLANGE - DIMENSIONS (mm) ●

| Shaft Size | A | B | C | D | F Bolt Dia. | H | J | K | L | M Total Exp. | N |
|------------|----|-----|----|-----|-------------|----|----|-----|-----|--------------|-----|
| 40 mm | 48 | 130 | 55 | 99 | 12 | 19 | 18 | 140 | 76 | 3.9 | 70 |
| 45 mm | 48 | 135 | 55 | 103 | 12 | 18 | 18 | 146 | 82 | 3.9 | 73 |
| 50 mm | 51 | 149 | 58 | 114 | 16 | 19 | 17 | 162 | 89 | 3.9 | 78 |
| 60 mm | 56 | 156 | 62 | 121 | 16 | 25 | 16 | 171 | 103 | 3.9 | 86 |
| 65 mm | 62 | 183 | 66 | 141 | 20 | 24 | 20 | 200 | 120 | 4.7 | 97 |
| 70 mm | 73 | 212 | 78 | 171 | 20 | 30 | 22 | 241 | 140 | 4.7 | 109 |

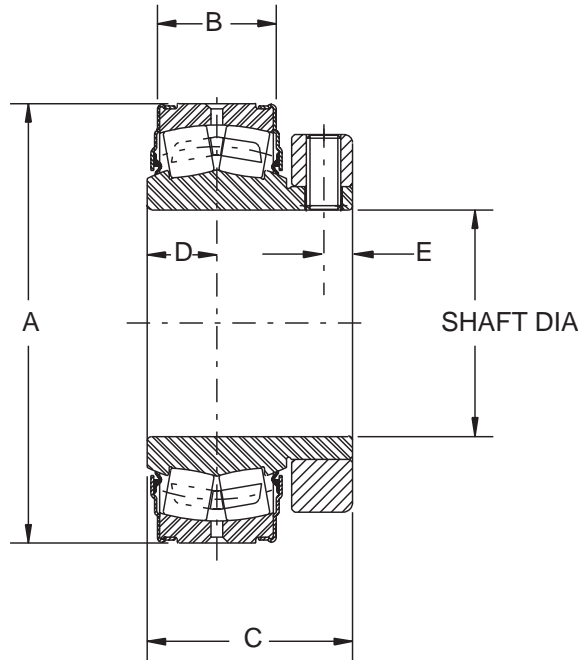
● Dimensions shown are for non-expansion units.

| | | | |
|---------------------------------|-----------------------------|----------------------------|-------------------------|
| FEATURES/BENEFITS PAGE B9- 3 | SPECIFICATION PAGE B9- 4 | NOMENCLATURE PAGE B9- 5 | SELECTION PAGE B9- 6 |
|---------------------------------|-----------------------------|----------------------------|-------------------------|

DIMENSIONS



UNISPHERE II Bearing Insert With Seal - Metric



| Bearing | UNISPHERE II Bearing Insert W/Seals Metric | | | |
|---------|---|---------------|-------------|---------------------|
| | Shaft Size Δ | PART NO. † | PART NAME | Approx. Wt. Kgs. |
| 22209 | 40 mm | 421362 | BRG-UN2-040 | 0.80 |
| | 45 mm | 421363 | BRG-UN2-045 | 0.70 |
| 22210 | 50 mm | 421364 | BRG-UN2-050 | 0.75 |
| 22211 | 55 mm | 421365 | BRG-UN2-055 | 1.06 |
| 22213 | 60 mm | 421366 | BRG-UN2-060 | 1.95 |
| | 65 mm | 421367 | BRG-UN2-065 | 1.74 |
| 22215 | 70 mm | 421368 | BRG-UN2-070 | 2.37 |
| | 75 mm | 421369 | BRG-UN2-075 | 2.09 |
| 22218 | 80 mm | 421370 | BRG-UN2-080 | 4.54 |
| | 85 mm | 421371 | BRG-UN2-085 | 4.20 |
| | 90 mm | 421372 | BRG-UN2-090 | 3.90 |

| Shaft Size | UNISPHERE II Bearing Insert Dimensions-Metric | | | | |
|------------|--|------|------|------|------|
| | A mm | B mm | C mm | D mm | E mm |
| 40 mm | 85 | 24 | 48 | 14.7 | 7.26 |
| 45 mm | | | | | |
| 50 mm | 90 | 24 | 48 | 15.1 | 8.05 |
| 55 mm | | | | | |
| 60 mm | 100 | 26 | 51 | 16.4 | 8.05 |
| 65 mm | | | | | |
| 70 mm | 120 | 32.2 | 56 | 19 | 8.05 |
| 75 mm | | | | | |
| 80 mm | 130 | 32.3 | 62 | 20.2 | 11.2 |
| 85 mm | | | | | |
| 90 mm | 160 | 41.3 | 73 | 24.1 | 11.2 |
| 90 mm | | | | | |

† Assembled-to-order size. Consult DODGE for delivery.

Δ Consult DODGE for sizes not listed.

| | | | |
|---------------------------------|-----------------------------|----------------------------|-------------------------|
| FEATURES/BENEFITS PAGE B9- 3 | SPECIFICATION PAGE B9- 4 | NOMENCLATURE PAGE B9- 5 | SELECTION PAGE B9- 6 |
|---------------------------------|-----------------------------|----------------------------|-------------------------|



DODGE[®]

NOTES

D-LOK

Type E Family

Specialty Tapered

S-2000

UNISPHERE II

CONTENTS



IMPERIAL - IP, ISAF and ISN

| | |
|-------------------------------|----------|
| Features / Benefits | |
| IMPERIAL | B10-3 |
| IMPERIAL-E | B10-8 |
| ISAF | B10-10 |
| Specification | B10-6 |
| How To Order | B10-7 |
| Nomenclature | |
| IMPERIAL | B10-9 |
| ISAF | B10-11 |
| Selection | B10-10 |
| Dimensions | |
| Pillow Block | B10-20 |
| ISN Metric | B10-34 |
| Flange Bearing | B10-36 |
| Piloted Flange | B10-48 |
| Piloted Flange | B10-58 |
| Wide Slot Take-Up | B10-62 |
| IMPERIAL ISAF | B10-68 |
| IMPERIAL Bearing Insert | B10-74 |
| Spanner Wrench | B10-75 |
| Lockplate Kit | B10-76 |
| End Covers | B10-79 |
| Interchange Chart | B10-79 |
| Part Number Index | INDEX-1 |
| Key Word Index | INDEX-34 |

IMPERIAL - ISAF

UNIFIED SAF

International Bearings

Sleeve Bearing

SLEEVOIL

NOTES



IMPERIAL - ISAF

UNIFIED SAF

International Bearings

Sleeve Bearing

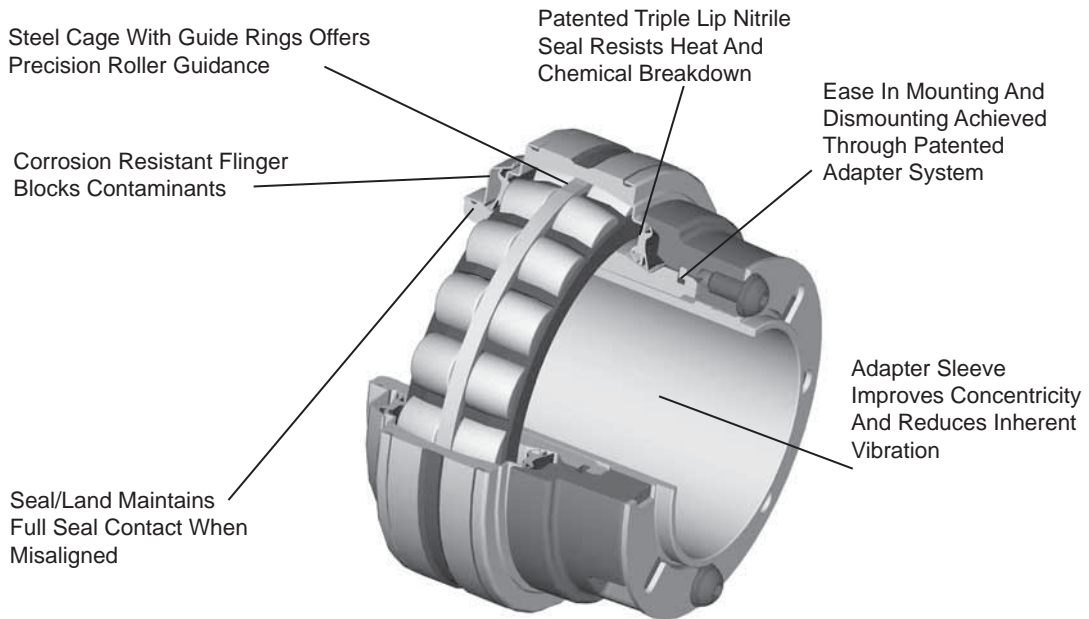
SLEEVOIL



IMPERIAL

Patented Adapter System Offers Quick Installation And Removal

The DODGE IMPERIAL bearing uses a thin wall push-pull adapter system that achieves clearance setting without the use of feeler gauges. The IMPERIAL bearing is installed by turning the locknut clockwise and removed by a counterclockwise rotation. Installation and removal of an IMPERIAL bearing can be accomplished in 15 minutes or less.



Installation and Removal Savings . . .

- Factory lubed, sealed and adjusted, ready to slip onto the shaft
- IMPERIAL adapter sleeve concentricity virtually eliminates fretting corrosion
- Field convertible from non-expansion to expansion and expansion to non-expansion
- Elongated pillow block bolt holes to facilitate mounting

FEATURES/BENEFITS

DODGE[®]

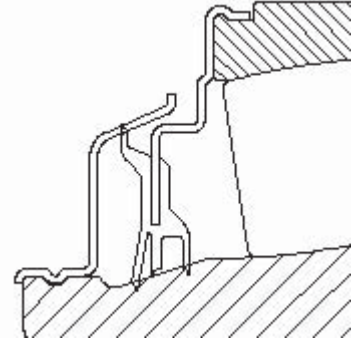


IMPERIAL

IMPERIAL Bearings Offer Patented Seal Options To Maximize Bearing Life . . .

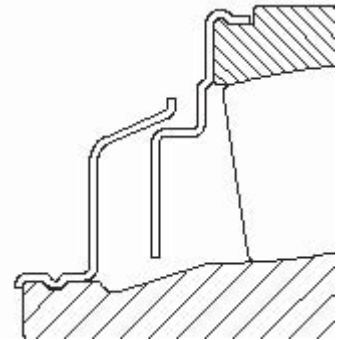
TRIDENT™ seals for low to medium speed

- Face rubbing triple lip seal
- Flinger to shield seal and bearing from contamination/damage
- Seal/land positive contact up to ± 1 degree of misalignment
- Patented design



Labyrinth seals for higher speeds or high temperatures

- High speed for relatively clean or hot environments
- 15% increase in maximum speed over standard SAF adapter mounted sphericals of the same shaft size
- Flinger to shield seal and bearing from contamination/damage
- Seal operates up to ± 1 degree of misalignment
- Patented design

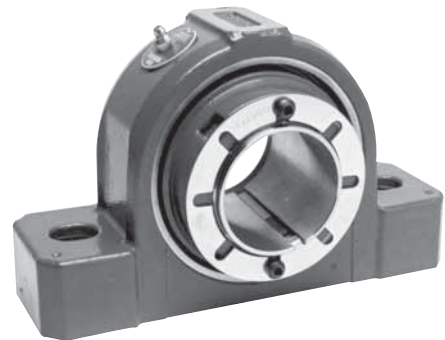
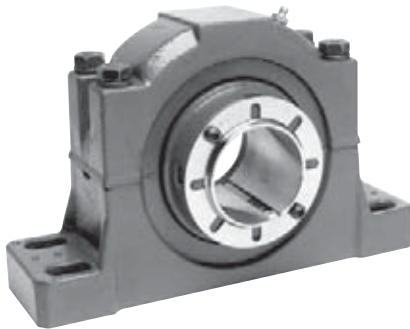


FEATURES/BENEFITS

DODGE[®]



IMPERIAL - IP



- Push-pull adapter mount
- Grease limiting speeds 30% higher than setscrew mounts
- Same rolling element as the S-2000 bearing
- Pillow blocks are interchangeable with S-2000 dimensions on all sizes
- All housings are Class 30 Gray Iron
- 2 bolt pillow blocks, 4 bolt flange bearings
- piloted flange and take-ups 1-1/8" to 4"
- 4 bolt pillow blocks in sizes 2-3/8" to 5"
- Jackscrew holes standard on piloted flanges
- Can replace 300 series ball bearings in many applications
- Patented adapter mounting system
- Superior holding power reduces the fretting corrosion caused by vibration
- Shaft ready installation
- No special tools required for installation
- DODGE TRIDENT triple lip seal provides superior sealing system
- Seal/land on OD of inner ring maintains full contact pressure even when misaligned
- Less shaft damage vs. setscrew mounts
- Reduced vibration damage vs. setscrew mounts

IMPERIAL - ISAF

UNIFIED SAF

International Bearings

Sleeve Bearing

SLEEVOIL

SPECIFICATION

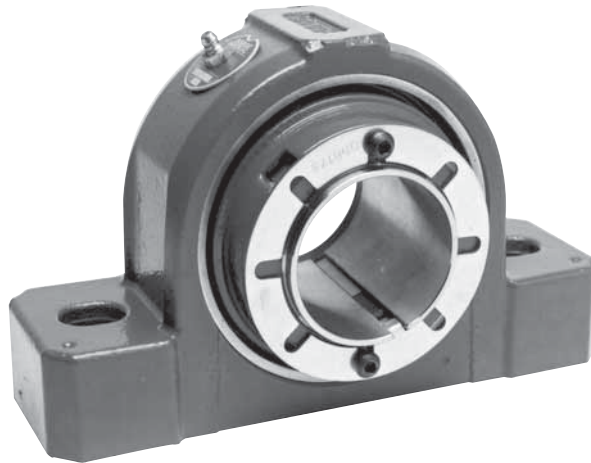


IMPERIAL INCH

DODGE Spherical Bearings, including IMPERIAL bearings, are general-purpose, high-capacity, double-row spherical roller bearings. All IMPERIAL bearings are mounted in single-piece, precision-machined housings. Bearings are mounted to shafts by means of a patented adapter system that improves concentricity and reduces inherent vibration.

ASTM A48 Class 30 cast iron is the standard material used in IMPERIAL housings. Housing designs are available for survival in extremely harsh environments, through the use of special finishes and stainless hardware.

Housings are available in a variety of standard configurations, including pillow blocks, flanges, piloted flanges and take-up bearings. TRIDENT triple lip contact seals and Labyrinth seals are available on IMPERIAL bearings.



IMPERIAL FEATURES
PAGE B10-3

IMPERIAL HOW TO ORDER
PAGE B10-7

IMPERIAL NOMENCLATURE
PAGE B10-9

IMPERIAL SELECTION
PAGE B10-10

HOW TO ORDER



IMPERIAL

There are two ways to specify DODGE Bearings. Most of the product offerings have part numbers with listings shown throughout this catalog. Use of part numbers ensures accurate order processing.

When part numbers are not shown, the product may be specified by description or part name. This method is used when ordering units that include modifications or options. To order by description, use the nomenclature key shown on page B10-9 and add any special instructions to the end of the description for options not covered by the nomenclature.

DODGE Spherical Bearings are factory adjusted and pre-lubricated. For applications where extreme ambient temperatures, high speeds, or high loads are expected, a variety of specialty lubricants is available. Standard

grease provided is Mobilith AW2. High temperature greases available include Moluballoy 896 HT and Mobilith SHC460. Other special lubricants are available upon request. Special lubricant options usually involve set-up charges, minimum quantities and list price premiums. To order, specify type of lubricant required at the end of the product name or after the standard part number.

Example: 069461 except with Mobil Grease HTS #2 grease

or

P2BIP108L except with Mobil Grease HTS #2 grease

For applications requiring modifications not listed, we encourage you to contact our Application Engineering Department for Bearings at 864-284-5700.

IMPERIAL - ISAF

UNIFIED SAF

International Bearings

Sleeve Bearing

SLEEVOIL

| | | | |
|---------------------------------|--------------------------------------|-------------------------------------|-----------------------------------|
| IMPERIAL FEATURES PAGE B10-3 | IMPERIAL SPECIFICATION PAGE B10-6 | IMPERIAL NOMENCLATURE PAGE B10-9 | IMPERIAL SELECTION PAGE B10-10 |
|---------------------------------|--------------------------------------|-------------------------------------|-----------------------------------|

FEATURES/BENEFITS

DODGE[®]



IMPERIAL-E

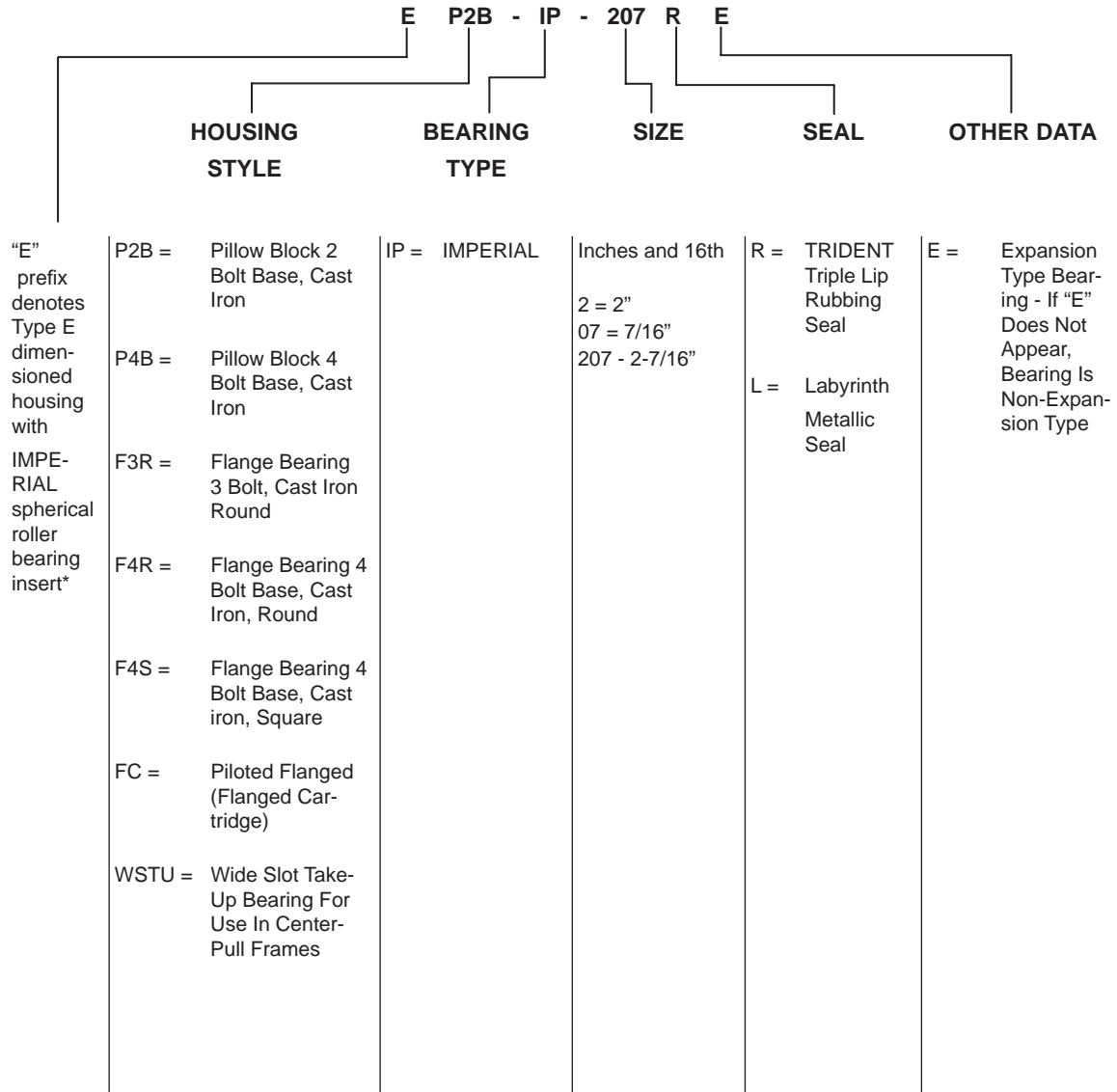


- Interchangeable with Type E style pillow blocks and flanges
- Same DODGE exclusive IMPERIAL adapter system and bearing insert
- Easy installation - no feeler gauges needed
- Easy removal - no torches, sledge hammers or special tools needed
- DODGE TRIDENT triple lip seal provides superior sealing system
- Labyrinth seal available for high speed or high temperature applications
- Up to $\pm 1^\circ$ misalignment capability
- Seal land on OD of inner ring maintains full contact pressure even when misaligned
- High capacity double row spherical bearing
- 2 bolt pillow blocks in sizes 1-3/8 to 3-1/2"
- 4 bolt pillow blocks in sizes 2-1/4 to 7"
- Flanges in sizes 1-3/8 to 4-1/2"
- Piloted flanges in sizes 1-3/8 to 5"

NOMENCLATURE



IMPERIAL - IP



* Available in two or four bolt pillow blocks, four bolt square flanges and piloted flanges

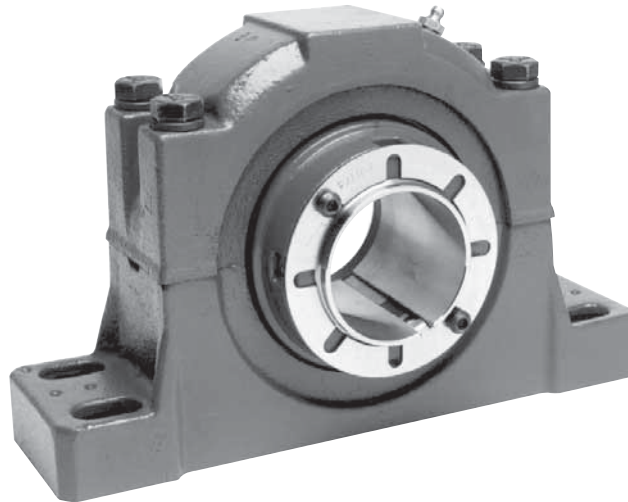
| | | | |
|---------------------------------|--------------------------------------|-----------------------------------|------------------------------------|
| IMPERIAL FEATURES PAGE B10-3 | IMPERIAL SPECIFICATION PAGE B10-6 | IMPERIAL SELECTION PAGE B10-12 | IMPERIAL DIMENSIONS PAGE B10-20 |
|---------------------------------|--------------------------------------|-----------------------------------|------------------------------------|

FEATURES/BENEFITS

DODGE®



ISAF

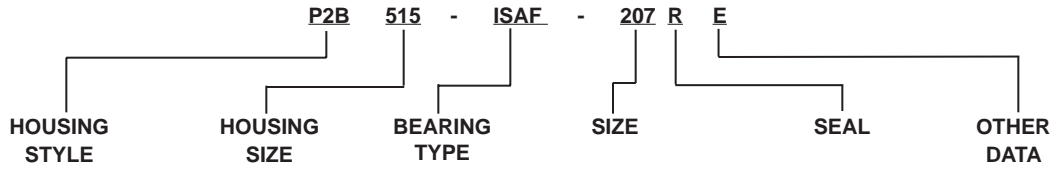


- Interchangeable with SAF style pillow blocks
- Patented adapter mounting system
- Easy installation - no feeler gauges needed
- Easy removal - no torches, sledge hammers or special tools needed
- DODGE TRIDENT triple lip seal provides superior sealing system
- Labyrinth seal available for high speed or high temperature applications
- Up to $\pm 1^\circ$ misalignment capability
- Seal land on OD of inner ring maintains full contact pressure even when misaligned
- High capacity double row spherical bearing
- 2 bolt pillow blocks in sizes 1-7/16 to 3-7/16"
- 4 bolt pillow blocks in sizes 2-7/16" to 7"

NOMENCLATURE



ISAF



P2B = Pillow Block 2 Bolt Base, Cast Iron

P4B = Pillow Block 4 Bolt Base, Cast Iron

5xx for interchangeable SAF style housings

ISAF = IMPERIAL SAF

Inches and 16th
2 = 2"
07 = 7/16"
207 = 2-7/16"

R = TRIDENT Triple Lip Contact Seal

L = Labyrinth Seal

E = EXPANSION
If E does not appear, bearing is a non-expansion type

IMPERIAL - ISAF

UNIFIED SAF

International Bearings

Sleeve Bearing

SLEEVOIL

| | | | |
|---------------------------------------|--------------------------------|--|--|
| ISAF FEATURES/BENEFITS PAGE B10-10 | ISAF DIMENSIONS PAGE B10-60 | | |
|---------------------------------------|--------------------------------|--|--|



SELECTION



IMPERIAL - IP and ISAF Spherical Roller Bearing

DODGE Spherical Roller Bearings have the capacity to carry heavy radial loads and combined radial and thrust loads. The maximum recommended load which can be applied is limited by various components in the system such as bearing, housing, shaft, shaft attachment, speed and life requirements as listed in this catalog. DODGE spherical roller bearings have been applied successfully even when these limits have been exceeded under controlled operating conditions. Contact DODGE Application Engineering (864-284-5700) for applications which exceed the recommendations of this catalog.

L₁₀ Hours Life - The life which may be expected from at least 90% of a given group of bearings operating under identical conditions.

$$L_{10} \text{ Life, Hours} = \left(\frac{C}{P} \right)^{0.3} \times \left(\frac{16667}{\text{RPM}} \right)$$

Where:

C = Dynamic Capacity (Table 1 on page B10-15 for IMPERIAL), lbs.

P = Equivalent Radial Load, lbs.

GENERAL

Heavy Service - For heavy shock loads, frequent shock loads, or severe vibrations, add up to 50% (according to severity of conditions) to the Equivalent Radial Load to obtain a Modified Equivalent Radial Load. Consult DODGE Application Engineering for additional selection assistance.

Thrust load values shown in the table below are recommended as a guide for general applications that will give adequate L₁₀ life. Spherical bearings require a radial load at least equal to the thrust load for proper operation. If the thrust load exceeds this limit, consult Application Engineering. Where substantial radial load is also present, it is advisable to calculate actual L₁₀ life to assure that it meets the requirements. The effectiveness

of the shaft attachment to carry thrust load depends on proper tightening of the bearing to the shaft. Therefore, it is advisable to use auxiliary thrust carrying devices such as shaft shoulder, snap ring or a thrust collar to locate the bearing under thrust loads heavier than shown below, or where extreme reliability is desired.

| RPM | 20-200 | 201-2000 | Over 2000 |
|-------------------------|--------|----------|-----------|
| RECOMMENDED THRUST LOAD | C/20 | C/40 | C/60 |

The shaft tolerances recommended below are adequate for normal radial and radial/thrust load applications. Since the allowable load, especially at a low speed, is very large, the shaft should be checked to assure adequate shaft strength.

The magnitude and direction of both the thrust and radial load must be taken into account when selecting a housing. **When pillow blocks are utilized, heavy loads should be directed through the base. Where cap loads are involved, see Tables 3 - 5 on pages B10-18 - B10-19 for maximum values.** Where a load pulls the housing away from the mounting base, both the hold-down bolts and housing must be of adequate strength. Auxiliary load carrying devices such as shear bars are advisable for side or end loading of pillow blocks and radial loads for flange units.

SHAFT TOLERANCES

| SHAFT SIZE | TOLERANCE, inches |
|-------------------|-------------------|
| Up To 1-1/2" | +.000 -.002" |
| 1-9/16 to 2-1/2" | +.000 -.003" |
| 2-5/8 to 4" | +.000 -.004" |
| 4-3/16 to 6" | +.000 -.005" |
| 6-7/16" and above | +.000 -.006" |

| | | | |
|---------------------------------|--------------------------------------|-------------------------------------|------------------------------------|
| IMPERIAL FEATURES PAGE B10-3 | IMPERIAL SPECIFICATION PAGE B10-6 | IMPERIAL NOMENCLATURE PAGE B10-9 | IMPERIAL DIMENSIONS PAGE B10-20 |
|---------------------------------|--------------------------------------|-------------------------------------|------------------------------------|

SELECTION



IMPERIAL - IP and ISAF Spherical Roller Bearing BEARING SUPPORTING RADIAL LOADS ONLY

1. Define L_{10} Life Hours desired.
2. Establish bearing radial load, F_R
($F_R = P$ for Pure Radial Load Conditions). The DODGE program BEST™* can be used to find application loads.
3. Establish RPM.

Using the easy selection Table 2 on page B10-16 for IMPERIAL, find, under the RPM column, the equivalent radial load that equals or is slightly higher than the application radial load for the desired life. The shaft size on the far left will be the minimum shaft size that you can use for your application.

If the desired life is different than the values shown on the chart, use alternate Method A shown below.

- Example: 1. L_{10} Life = 30,000 Hours
 2. Radial load = 4000 lbs.
 3. RPM = 1,000

At the intersection of the 1,000 RPM column and the 30,000 hours L_{10} life row, the equivalent radial load of 4011 lbs. exceeds the 4000 lbs. radial load for shaft size 2-3/8" to 2-1/2". A bearing with bore ranging from 2-3/8" to 2-1/2", or longer, may be used for this application.

ALTERNATE METHOD A - SELECTING A BEARING FOR AN L_{10} LIFE VALUE NOT SHOWN IN THE EASY SELECTION CHART.

The L_{10} life equation can be rearranged so that the bearing dynamic capacity C is identified in terms of L_{10} , RPM and P

$$C = \left(\frac{L_{10} \times \text{RPM}}{16667} \right)^{0.3} \times P$$

($P = F_R$ for Pure Radial Load Conditions)

Since the L_{10} , RPM and P are known, solve for C . Select from the dynamic capacity column on Table 1 on page

B10-15 the C value equal to or greater than the C value just calculated. The bore size on the far left represents the proper bore size selection. Check that the application RPM does not exceed the MAX. RPM on Table 1. When selecting an L_{10} life of less than 30,000 hours, particular attention must be paid to shaft deflection and proper lubricant selection.

SELECTING BEARINGS SUPPORTING COMBINATION RADIAL AND THRUST LOADS

When a bearing supports both a radial load and a thrust load, the loading on the two rows is shared unequally depending on the ratio of thrust to radial load. The use of the X (radial factor) and Y (thrust factor) from Table 1 converts the applied thrust load and radial loads to an equivalent radial load having the same effect on the life of the bearing as a radial load of this magnitude.

$$\text{The equivalent radial load } P = XF_R + YF_A$$

Where:

- P = Equivalent radial load, lbs.
- F_R = Radial load, lbs. (see Table 1 for allowable slip fit maximum load)
- F_A = Thrust (axial) load, lbs.
- e = Thrust load to radial load factor (Table 1)
- X = Radial load factor (Table 1)
- Y = Thrust load factor (Table 1)

★ The DODGE Bearing Evaluation and Selection Technique (BEST) is a menu driven computer program that calculates bearing loads, fatigue life and operating temperature for a two bearing shaft system based on user supplied input parameters. This interactive program is available at www.ptwizard.com under the Product Selection area.

| | | | |
|---------------------------------|--------------------------------------|-------------------------------------|------------------------------------|
| IMPERIAL FEATURES PAGE B10-3 | IMPERIAL SPECIFICATION PAGE B10-6 | IMPERIAL NOMENCLATURE PAGE B10-9 | IMPERIAL DIMENSIONS PAGE B10-20 |
|---------------------------------|--------------------------------------|-------------------------------------|------------------------------------|



SELECTION

IMPERIAL - IP and SAF Spherical Roller Bearing

To find X and Y, calculate F_A/F_R and compare to **e** for the selected bore size. Determine X and Y from Table 1 on page B10-15 depending on whether F_A/F_R is equal to or less than **e**, or F_A/F_R is greater than **e**. Substitute all known values into the equivalent radial load equation. P (equivalent radial load) can be used in the life formula to determine L_{10} , or it can be compared to the allowable equivalent radial load ratings for the speed and hours life desired in the easy selection B10-16

very low and high speeds, for heavy loads, and for low and high temperatures, special greases may be used. Contact DODGE Application Engineering (864-284-5700), DODGE engineers will recommend bearings and lubricants for the above unusual conditions. DODGE also has the expertise to custom design and build special bearings for your needs. The only maintenance requirement for DODGE Spherical roller bearings is periodic relubrication at regular intervals as outlined in the appropriate instruction manuals.

SELECTING BEARINGS SUPPORTING ONLY THRUST LOADS

Spherical Roller Bearings generally are not recommended for pure thrust load applications. However, they will perform satisfactorily under very light pure thrust loads. Consult DODGE Application Engineering (864-284-5700).

MISALIGNMENT CONSIDERATIONS

In nearly all applications good design practice requires two bearings supporting the shaft. In cases where three or more bearings are installed, unless precautions are taken to line the bearings up, both vertically and horizontally, it is possible to induce heavy loads. In the case of two bearings, alignment is not as critical, especially with DODGE Unitized Spherical Roller Bearings. IMPERIAL bearings are designed to allow a maximum of $\pm 1^\circ$ of static and dynamic misalignment. However, for optimum seal performance, misalignment should be kept under $\pm 0.5^\circ$. To ensure good alignment, mounting surfaces must be checked for flatness and must lie in the same plane. When tightening base bolts, each bolt should be alternately tightened in incremental torque values until full torque is achieved to prevent the angular shifting of the pillow block that occurs when one bolt is tightened to its full torque. Shimmiing may be required to minimize misalignment.

SELECTING LUBRICATION

IMPERIAL spherical roller bearings are lubricated at the factory with Mobilith AW2 grease for sizes up to 5". Above 5", Mobilux EP #2 is used. Mobilith AW2 is a superior industrial grease with a lithium complex thickener and highly refined base oil. Mobilux EP#2 is a superior industrial grease using a lithium hydroxystearate thickener and highly refined base oil. This grease will adequately handle low and medium speeds with low and medium loads at normal temperatures as defined on Table 5 on page B10-19 For

IMPERIAL - ISAF

UNITIZED SAF

International Bearings

Sleeve Bearing

SLEEVOIL

| | | | |
|---------------------------------|--------------------------------------|-------------------------------------|------------------------------------|
| IMPERIAL FEATURES PAGE B10-3 | IMPERIAL SPECIFICATION PAGE B10-6 | IMPERIAL NOMENCLATURE PAGE B10-9 | IMPERIAL DIMENSIONS PAGE B10-20 |
|---------------------------------|--------------------------------------|-------------------------------------|------------------------------------|

SELECTION



IMPERIAL - IP and SAF Spherical Roller Bearing

Table 1: IMPERIAL Spherical Roller Bearing

| Shaft Size Inches | Basic Bearing Description | e | FA/FR<e | | FA/FR>e | | Adapter Maximum Thrust Load Pounds | Dynamic Capacity (C) Pounds | Static Capacity (Co) Pounds | Maximum Speed* | | Maximum ISAF Expansion Capability Inches |
|--|---------------------------|------|---------|-----|---------|-----|------------------------------------|-----------------------------|-----------------------------|----------------|-------------|--|
| | | | X | Y | X | Y | | | | Labyrinth RPM | TRIDENT RPM | |
| 1-1/8 1-3/16 1-1/4 1-3/8 1-7/16 1-1/2 | 22208 | 0.28 | 1.0 | 2.4 | 0.67 | 3.6 | 620 | 20,800 | 21,000 | 6,000 | 3,975 | 7/32 |
| 1-1/2 ** 1-5/8 1-11/16 1-3/4 | 22209 | 0.26 | 1.0 | 2.6 | 0.67 | 3.9 | 700 | 20,800 | 22,000 | 5,600 | 3,725 | 7/32 |
| 1-3/4 ** 1-7/8 1-15/16 2 | 22210 | 0.24 | 1.0 | 2.8 | 0.67 | 4.2 | 775 | 22,000 | 24,000 | 5,300 | 3,520 | 17/64 |
| 2-3/16 2-1/4 | 22211 | 0.23 | 1.0 | 2.9 | 0.67 | 4.3 | 930 | 27,000 | 29,000 | 4,500 | 3,000 | 7/32 |
| 2-1/4 ** 2-3/8 2-7/16 2-1/2 | 22213 | 0.24 | 1.0 | 2.8 | 0.67 | 4.2 | 1,360 | 39,000 | 47,500 | 3,800 | 2,400 | 5/16 |
| 2-11/16 2-3/4 2-15/16 3 | 22215 | 0.22 | 1.0 | 3.1 | 0.67 | 4.6 | 1,570 | 41,500 | 53,000 | 3,400 | 2,250 | 15/64 |
| 3-3/16 3-1/4 3-7/16 3-1/2 | 22218 | 0.23 | 1.0 | 2.9 | 0.67 | 4.3 | 2,430 | 65,500 | 81,500 | 2,600 | 1,825 | 3/8 |
| 3-11/16 3-15/16 4 | 22220 | 0.24 | 1.0 | 2.8 | 0.67 | 4.2 | 3,100 | 83,000 | 104,000 | 2,200 | 1,530 | 3/8 |
| 4-7/16 4-1/2 | 22222 | 0.25 | 1.0 | 2.7 | 0.67 | 4.0 | 3,930 | 104,000 | 132,000 | 2,000 | 1,325 | 3/8 |
| 4-15/16 5 | 22226 | 0.26 | 1.0 | 2.6 | 0.67 | 3.9 | 5,610 | 146,000 | 196,000 | 1,800 | 1,175 | 3/8 |
| 5-7/16 5-1/2 | 22228 | 0.25 | 1.0 | 2.7 | 0.67 | 4.0 | 6,419 | 166,000 | 236,000 | 1,700 | 1,100 | 3/8 |
| 5-15/16 6 | 22232 | 0.26 | 1.0 | 2.6 | 0.67 | 3.9 | 8,630 | 220,000 | 315,000 | 1,500 | 975 | 3/8 |
| 6-7/16 6-1/2 6-15/16 7 | 22236 | 0.25 | 1.0 | 2.7 | 0.67 | 4.0 | 10,437 | 260,000 | 375,000 | 1,300 | 845 | 3/8 |

* Maximum grease speed is dependent on load and ambient conditions, consult Dodge Engineering

** IMPERIAL - Type E Dimensional Housing

| | | | |
|---------------------------------|--------------------------------------|-------------------------------------|------------------------------------|
| IMPERIAL FEATURES PAGE B10-3 | IMPERIAL SPECIFICATION PAGE B10-6 | IMPERIAL NOMENCLATURE PAGE B10-9 | IMPERIAL DIMENSIONS PAGE B10-20 |
|---------------------------------|--------------------------------------|-------------------------------------|------------------------------------|



SELECTION



IMPERIAL - IP and SAF Spherical Roller Bearing

Table 2: Allowable Equivalent Radial Load Rating (lbs) at Various Revolutions per Minute

| Size Inches | L10 Life Hours | Allowable Equivalent Radial Load Rating (lbs.) at Various Revolutions per Minute | | | | | | | | | | | | | | | | | | | | | |
|-------------------------------------|----------------|--|--------|--------|--------|--------|--------|-------|-------|-------|-------|-------|-------|-------|-------|-------|-------|-------|-------|-------|-------|-------|------|
| | | 50 | 100 | 150 | 250 | 500 | 750 | 1,000 | 1,300 | 1,500 | 1,700 | 1,800 | 2,000 | 2,200 | 2,600 | 2,750 | 3,000 | 3,400 | 3,800 | 4,500 | 5,300 | 5,600 | 6000 |
| 1-1/8 to 1-1/2 | 10,000 | 7498 | 6090 | 5393 | 4626 | 3758 | 3327 | 3052 | 2821 | 2703 | 2603 | 2559 | 2479 | 2409 | 2292 | 2253 | 2195 | 2114 | 2045 | 1944 | 1851 | 1820 | 1783 |
| | 30,000 | 5393 | 4380 | 3878 | 3327 | 2703 | 2393 | 2195 | 2029 | 1944 | 1872 | 1840 | 1783 | 1733 | 1648 | 1621 | 1579 | 1521 | 1471 | 1398 | 1331 | 1309 | 1282 |
| | 40,000 | 4947 | 4018 | 3558 | 3052 | 2479 | 2195 | 2014 | 1861 | 1783 | 1717 | 1688 | 1636 | 1590 | 1512 | 1487 | 1448 | 1395 | 1349 | 1282 | 1221 | 1201 | 1176 |
| | 60,000 | 4380 | 3558 | 3150 | 2703 | 2195 | 1944 | 1783 | 1648 | 1579 | 1521 | 1495 | 1448 | 1408 | 1339 | 1316 | 1282 | 1235 | 1195 | 1136 | 1081 | 1064 | 1042 |
| 100,000 | 3758 | 3052 | 2703 | 2319 | 1883 | 1668 | 1530 | 1414 | 1355 | 1305 | 1282 | 1243 | 1208 | 1149 | 1129 | 1100 | 1060 | 1025 | 974 | 928 | 912 | 894 | |
| *1-1/2 to 1-5/8 to 1-11/16 to 1-3/4 | 10,000 | 7,498 | 6,090 | 5,393 | 4,626 | 3,758 | 3,327 | 3,052 | 2,821 | 2,703 | 2,603 | 2,559 | 2,479 | 2,409 | 2,292 | 2,253 | 2,195 | 2,114 | 2,045 | 1,944 | 1,851 | 1,820 | |
| | 30,000 | 5,393 | 4,380 | 3,878 | 3,327 | 2,703 | 2,393 | 2,195 | 2,029 | 1,944 | 1,872 | 1,840 | 1,783 | 1,733 | 1,648 | 1,621 | 1,579 | 1,521 | 1,471 | 1,398 | 1,331 | 1,309 | |
| | 40,000 | 4,947 | 4,018 | 3,558 | 3,052 | 2,479 | 2,195 | 2,014 | 1,861 | 1,783 | 1,717 | 1,688 | 1,636 | 1,590 | 1,512 | 1,487 | 1,448 | 1,395 | 1,349 | 1,282 | 1,221 | 1,201 | |
| | 60,000 | 4,380 | 3,558 | 3,150 | 2,703 | 2,195 | 1,944 | 1,783 | 1,648 | 1,579 | 1,521 | 1,495 | 1,448 | 1,407 | 1,339 | 1,316 | 1,282 | 1,235 | 1,195 | 1,136 | 1,081 | 1,064 | |
| 100,000 | 3,758 | 3,052 | 2,703 | 2,319 | 1,883 | 1,668 | 1,530 | 1,414 | 1,355 | 1,305 | 1,282 | 1,243 | 1,208 | 1,148 | 1,129 | 1,100 | 1,060 | 1,025 | 974 | 928 | 912 | | |
| *1-3/4 to 1-7/8 to 1-15/16 to 2 | 10,000 | 7,930 | 6,441 | 5,704 | 4,893 | 3,975 | 3,519 | 3,228 | 2,984 | 2,859 | 2,753 | 2,706 | 2,622 | 2,548 | 2,424 | 2,383 | 2,322 | 2,253 | 2,163 | 2,056 | 1,957 | | |
| | 30,000 | 5,704 | 4,633 | 4,102 | 3,519 | 2,859 | 2,531 | 2,322 | 2,146 | 2,056 | 1,980 | 1,947 | 1,886 | 1,833 | 1,743 | 1,714 | 1,670 | 1,608 | 1,556 | 1,479 | 1,408 | | |
| | 40,000 | 5,232 | 4,250 | 3,763 | 3,228 | 2,622 | 2,322 | 2,130 | 1,969 | 1,886 | 1,816 | 1,786 | 1,730 | 1,681 | 1,599 | 1,572 | 1,532 | 1,475 | 1,427 | 1,356 | 1,291 | | |
| | 60,000 | 4,633 | 3,763 | 3,332 | 2,859 | 2,322 | 2,056 | 1,886 | 1,743 | 1,670 | 1,608 | 1,581 | 1,532 | 1,489 | 1,416 | 1,392 | 1,356 | 1,306 | 1,264 | 1,201 | 1,144 | | |
| 100,000 | 3,975 | 3,228 | 2,859 | 2,452 | 1,992 | 1,764 | 1,618 | 1,496 | 1,433 | 1,380 | 1,356 | 1,314 | 1,277 | 1,215 | 1,194 | 1,164 | 1,121 | 1,084 | 1,030 | 981 | | | |
| 2-3/16 to 2-1/4 | 10,000 | 9,733 | 7,905 | 7,000 | 6,005 | 4,878 | 4,319 | 3,962 | 3,662 | 3,508 | 3,379 | 3,322 | 3,218 | 3,127 | 2,975 | 2,925 | 2,850 | 2,745 | 2,655 | 2,523 | | | |
| | 30,000 | 7,000 | 5,686 | 5,035 | 4,319 | 3,508 | 3,106 | 2,850 | 2,634 | 2,523 | 2,430 | 2,389 | 2,315 | 2,249 | 2,139 | 2,104 | 2,050 | 1,974 | 1,909 | 1,815 | | | |
| | 40,000 | 6,421 | 5,216 | 4,618 | 3,962 | 3,218 | 2,850 | 2,614 | 2,416 | 2,315 | 2,229 | 2,191 | 2,123 | 2,063 | 1,963 | 1,930 | 1,880 | 1,811 | 1,751 | 1,665 | | | |
| | 60,000 | 5,686 | 4,618 | 4,089 | 3,508 | 2,850 | 2,523 | 2,315 | 2,139 | 2,050 | 1,974 | 1,940 | 1,880 | 1,827 | 1,738 | 1,709 | 1,665 | 1,603 | 1,551 | 1,474 | | | |
| 100,000 | 4,878 | 3,962 | 3,508 | 3,010 | 2,452 | 2,165 | 1,986 | 1,835 | 1,758 | 1,694 | 1,665 | 1,613 | 1,567 | 1,491 | 1,466 | 1,428 | 1,376 | 1,330 | 1,265 | | | | |
| *2-1/4 to 2-3/8 to 2-7/16 to 2-1/2 | 10,000 | 14,058 | 11,419 | 10,111 | 8,674 | 7,046 | 6,239 | 5,723 | 5,290 | 5,068 | 4,881 | 4,798 | 4,649 | 4,518 | 4,297 | 4,225 | 4,116 | 3,964 | 3,834 | | | | |
| | 30,000 | 10,111 | 8,213 | 7,272 | 6,239 | 5,068 | 4,487 | 4,116 | 3,805 | 3,645 | 3,510 | 3,451 | 3,343 | 3,249 | 3,090 | 3,039 | 2,960 | 2,851 | 2,758 | | | | |
| | 40,000 | 9,275 | 7,534 | 6,671 | 5,723 | 4,649 | 4,116 | 3,776 | 3,490 | 3,343 | 3,220 | 3,165 | 3,067 | 2,980 | 2,835 | 2,787 | 2,716 | 2,616 | 2,530 | | | | |
| | 60,000 | 8,213 | 6,671 | 5,907 | 5,068 | 4,116 | 3,645 | 3,343 | 3,090 | 2,960 | 2,851 | 2,803 | 2,716 | 2,639 | 2,510 | 2,468 | 2,405 | 2,316 | 2,240 | | | | |
| 100,000 | 7,046 | 5,723 | 5,068 | 4,348 | 3,531 | 3,127 | 2,868 | 2,651 | 2,540 | 2,446 | 2,405 | 2,330 | 2,264 | 2,153 | 2,118 | 2,063 | 1,987 | 1,922 | | | | | |
| 2-11/16 to 3 | 10,000 | 14,959 | 12,151 | 10,759 | 9,230 | 7,497 | 6,639 | 6,090 | 5,629 | 5,392 | 5,194 | 5,105 | 4,946 | 4,817 | 4,572 | 4,496 | 4,380 | 4,219 | | | | | |
| | 30,000 | 10,759 | 8,739 | 7,738 | 6,639 | 5,392 | 4,775 | 4,380 | 4,048 | 3,878 | 3,735 | 3,672 | 3,558 | 3,457 | 3,288 | 3,233 | 3,150 | 3,034 | | | | | |
| | 40,000 | 9,870 | 8,017 | 7,098 | 6,090 | 4,946 | 4,380 | 4,018 | 3,714 | 3,558 | 3,427 | 3,368 | 3,263 | 3,171 | 3,016 | 2,966 | 2,890 | 2,783 | | | | | |
| | 60,000 | 8,739 | 7,098 | 6,285 | 5,392 | 4,380 | 3,878 | 3,558 | 3,288 | 3,150 | 3,034 | 2,982 | 2,890 | 2,808 | 2,671 | 2,626 | 2,559 | 2,464 | | | | | |
| 100,000 | 7,497 | 6,090 | 5,392 | 4,626 | 3,758 | 3,327 | 3,052 | 2,821 | 2,703 | 2,603 | 2,559 | 2,479 | 2,409 | 2,291 | 2,253 | 2,195 | 2,114 | | | | | | |
| 3-3/16 to 3-1/2 | 10,000 | 23,611 | 19,178 | 16,981 | 14,569 | 11,833 | 10,478 | 9,612 | 8,884 | 8,511 | 8,197 | 7,995 | 7,807 | 7,587 | 7,216 | | | | | | | | |
| | 30,000 | 16,981 | 13,793 | 12,213 | 10,478 | 8,511 | 7,536 | 6,913 | 6,390 | 6,121 | 5,896 | 5,795 | 5,615 | 5,457 | 5,190 | | | | | | | | |
| | 40,000 | 15,577 | 12,653 | 11,203 | 9,612 | 7,807 | 6,913 | 6,341 | 5,861 | 5,615 | 5,408 | 5,316 | 5,151 | 5,006 | 4,761 | | | | | | | | |
| | 60,000 | 13,793 | 11,203 | 9,920 | 8,511 | 6,913 | 6,121 | 5,615 | 5,190 | 4,972 | 4,789 | 4,707 | 4,561 | 4,432 | 4,216 | | | | | | | | |
| 100,000 | 11,833 | 9,612 | 8,511 | 7,302 | 5,931 | 5,251 | 4,817 | 4,453 | 4,266 | 4,108 | 4,038 | 3,913 | 3,803 | 3,617 | | | | | | | | | |

Only the labyrinth seal (L seal) may be used to the right of the heavy line.

For applications in the dark shaded area, the maximum load for the specific speed is shown. The load does not correspond to the L10 shown at the left.

Applications in the light shaded area may require a high temperature lubrication, consult Dodge Engineering at (864) 297-4800

* IMPERIAL - Type E Dimensional Housing

| | | | |
|---------------------------------|--------------------------------------|-------------------------------------|------------------------------------|
| IMPERIAL FEATURES PAGE B10-3 | IMPERIAL SPECIFICATION PAGE B10-6 | IMPERIAL NOMENCLATURE PAGE B10-9 | IMPERIAL DIMENSIONS PAGE B10-20 |
|---------------------------------|--------------------------------------|-------------------------------------|------------------------------------|

IMPERIAL - ISAF

UNIFIED SAF

International Bearings

Sleeve Bearing

SLEEVOIL

SELECTION



IMPERIAL - IP and SAF Spherical Roller Bearing

Table 2: Allowable Equivalent Radial Load Rating (lbs) at Various Revolutions per Minute (continued)

| Size Inches | L10 Life Hours | Allowable Equivalent Radial Load Rating (lbs.) at Various Revolutions per Minute | | | | | | | | | | | | | | | | | | | | | |
|-----------------------|-------------------|--|--------|--------|--------|--------|--------|--------|--------|--------|--------|--------|--------|-------|-------|-------|-------|-------|-------|-------|-------|------|------|
| | | 50 | 100 | 150 | 250 | 500 | 750 | 1,000 | 1,300 | 1,500 | 1,700 | 1,800 | 2,000 | 2,200 | 2,600 | 2,750 | 3,000 | 3,400 | 3,800 | 4,500 | 5,300 | 5600 | 6000 |
| 3-11/16 to 4 | 10,000 | 29,919 | 24,302 | 21,518 | 18,461 | 14,995 | 13,278 | 12,180 | 11,258 | 7,757 | 10,387 | 10,211 | 9,893 | 9,614 | | | | | | | | | |
| | 30,000 | 21,518 | 17,478 | 15,476 | 13,278 | 10,785 | 9,549 | 8,760 | 8,097 | 7,757 | 7,471 | 7,344 | 7,115 | 6,915 | | | | | | | | | |
| | 40,000 | 19,739 | 16,033 | 14,197 | 12,180 | 9,893 | 8,760 | 8,036 | 7,427 | 7,115 | 6,853 | 6,737 | 6,527 | 6,343 | | | | | | | | | |
| | 60,000 | 17,478 | 14,197 | 12,571 | 10,785 | 8,760 | 7,757 | 7,115 | 6,577 | 6,300 | 6,068 | 5,965 | 5,779 | 5,616 | | | | | | | | | |
| | 100,000 | 14,995 | 12,180 | 10,785 | 9,252 | 7,515 | 6,655 | 6,104 | 5,642 | 5,405 | 5,206 | 5,117 | 4,958 | 4,818 | | | | | | | | | |
| 4-7/16 to 4-1/2 | 10,000 | 37,489 | 30,450 | 26,963 | 23,132 | 18,789 | 16,637 | 15,261 | 10,145 | 13,513 | 13,015 | 12,794 | 12,396 | | | | | | | | | | |
| | 30,000 | 26,963 | 21,901 | 19,392 | 16,637 | 13,513 | 11,966 | 10,976 | 10,145 | 9,719 | 9,361 | 9,202 | 8,915 | | | | | | | | | | |
| | 40,000 | 24,733 | 20,090 | 17,789 | 15,261 | 12,396 | 10,976 | 10,069 | 9,307 | 8,915 | 8,587 | 8,441 | 8,178 | | | | | | | | | | |
| | 60,000 | 21,901 | 17,789 | 15,751 | 13,513 | 10,976 | 9,719 | 8,915 | 8,241 | 7,894 | 7,603 | 7,474 | 7,242 | | | | | | | | | | |
| | 100,000 | 18,789 | 15,261 | 13,513 | 11,593 | 9,417 | 8,338 | 7,649 | 7,070 | 6,773 | 6,523 | 6,412 | 6,213 | | | | | | | | | | |
| 4-15/16 to 5 | 10,000 | 52,628 | 42,747 | 37,851 | 32,473 | 26,377 | 23,356 | 15,409 | 19,803 | 18,971 | 18,272 | 17,961 | | | | | | | | | | | |
| | 30,000 | 37,851 | 30,745 | 27,224 | 23,356 | 18,971 | 16,798 | 15,409 | 14,243 | 13,644 | 13,141 | 12,918 | | | | | | | | | | | |
| | 40,000 | 34,722 | 28,203 | 24,973 | 21,424 | 17,402 | 15,409 | 14,135 | 13,065 | 12,516 | 12,055 | 11,850 | | | | | | | | | | | |
| | 60,000 | 30,745 | 24,973 | 22,112 | 18,971 | 15,409 | 13,644 | 12,516 | 11,569 | 11,082 | 10,674 | 10,493 | | | | | | | | | | | |
| | 100,000 | 26,377 | 21,424 | 18,971 | 16,275 | 13,220 | 11,706 | 10,738 | 9,925 | 9,508 | 9,157 | 9,002 | | | | | | | | | | | |
| 5-7/16 to 5-1/2 | 10,000 | 59,838 | 48,603 | 43,037 | 36,922 | 29,990 | 26,555 | 17,520 | 22,516 | 21,569 | 20,775 | | | | | | | | | | | | |
| | 30,000 | 43,037 | 34,957 | 30,953 | 26,555 | 21,569 | 19,099 | 17,520 | 16,194 | 15,513 | 14,942 | | | | | | | | | | | | |
| | 40,000 | 39,478 | 32,066 | 28,394 | 24,359 | 19,786 | 17,520 | 16,071 | 14,855 | 14,230 | 13,706 | | | | | | | | | | | | |
| | 60,000 | 34,957 | 28,394 | 25,142 | 21,569 | 17,520 | 15,513 | 14,230 | 13,153 | 12,601 | 12,136 | | | | | | | | | | | | |
| | 100,000 | 29,990 | 24,359 | 21,569 | 18,505 | 15,031 | 13,309 | 12,209 | 11,284 | 10,810 | 10,412 | | | | | | | | | | | | |
| 5-15/16 to 6 | 10,000 | 79,303 | 64,414 | 57,036 | 48,933 | 39,746 | 25,312 | 32,283 | 29,840 | 28,586 | | | | | | | | | | | | | |
| | 30,000 | 57,036 | 46,328 | 41,022 | 35,193 | 28,586 | 25,312 | 23,219 | 21,462 | 20,560 | | | | | | | | | | | | | |
| | 40,000 | 52,320 | 42,497 | 37,630 | 32,283 | 26,222 | 23,219 | 21,299 | 19,687 | 18,860 | | | | | | | | | | | | | |
| | 60,000 | 46,328 | 37,630 | 33,320 | 28,586 | 23,219 | 20,560 | 18,860 | 17,432 | 16,700 | | | | | | | | | | | | | |
| | 100,000 | 39,746 | 32,283 | 28,586 | 24,524 | 19,920 | 17,638 | 16,180 | 14,955 | 14,327 | | | | | | | | | | | | | |
| 6-7/16 to 7 | 10,000 | 93,722 | 76,126 | 67,407 | 57,829 | 46,972 | 29,914 | 38,153 | 35,265 | | | | | | | | | | | | | | |
| | 30,000 | 67,407 | 54,751 | 48,480 | 41,592 | 33,783 | 29,914 | 27,441 | 25,364 | | | | | | | | | | | | | | |
| | 40,000 | 61,833 | 50,224 | 44,472 | 38,153 | 30,990 | 27,441 | 25,172 | 23,266 | | | | | | | | | | | | | | |
| | 60,000 | 54,751 | 44,472 | 39,378 | 33,783 | 27,441 | 24,298 | 22,289 | 20,602 | | | | | | | | | | | | | | |
| | 100,000 | 46,972 | 38,153 | 33,783 | 28,983 | 23,542 | 20,845 | 19,122 | 17,675 | | | | | | | | | | | | | | |

Only the labyrinth seal (L seal) may be used to the right of the heavy line.

For applications in the dark shaded area, the maximum load for the specific speed is shown. The load does not correspond to the L10 shown at the left.

Applications in the light shaded area may require a high temperature lubrication, consult Dodge Engineering at (864) 284-5700.

IMPERIAL - ISAF

UNIFIED SAF

International Bearings

Sleeve Bearing

SLEEVOIL

| | | | |
|---------------------------------|--------------------------------------|-------------------------------------|------------------------------------|
| IMPERIAL FEATURES PAGE B10-3 | IMPERIAL SPECIFICATION PAGE B10-6 | IMPERIAL NOMENCLATURE PAGE B10-9 | IMPERIAL DIMENSIONS PAGE B10-20 |
|---------------------------------|--------------------------------------|-------------------------------------|------------------------------------|



SELECTION



IMPERIAL - IP Spherical Roller Bearings

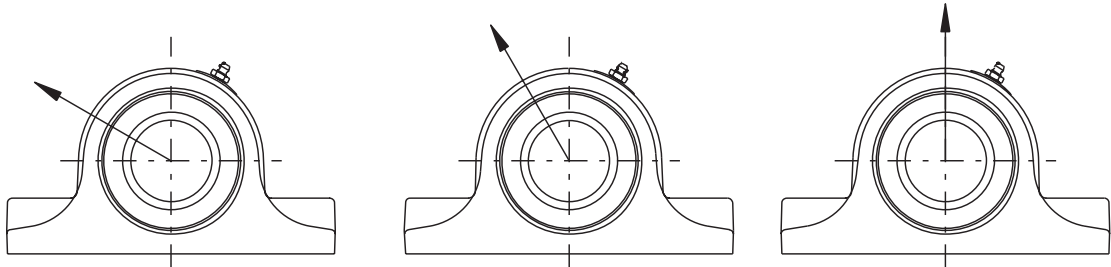


Table 3: IMPERIAL-IP 2-Bolt Pillow Block Housing Ratings*

| Bore Size | Maximum Recommended Housing Cap Loads, lb | | |
|-----------------|---|------|-------|
| | 120° | 150° | 180° |
| 1-1/8 to 1-1/2 | 2110 | 2640 | 3100 |
| 1-5/8 to 1-3/4 | 2380 | 2980 | 3500 |
| 1-7/8 to 2 | 3130 | 3910 | 4600 |
| 2-3/16 to 2-1/4 | 3330 | 4160 | 4900 |
| 2-3/8 to 2-1/2 | 3330 | 4160 | 4900 |
| 2-11/16 to 3 | 4420 | 5520 | 6500 |
| 3-3/16 to 3-1/2 | 4620 | 5780 | 6800 |
| 3-11/16 to 4 | 7500 | 9350 | 11000 |

Table 4: IMPERIAL-IP 4-Bolt Pillow Housing Ratings*

| Bore Size | Maximum Recommended Housing Cap Loads, lb | | |
|-----------------|---|-------|-------|
| | 120° | 150° | 180° |
| 2-3/8 to 2-1/2 | 3810 | 4760 | 5600 |
| 2-11/16 to 3 | 4620 | 5780 | 6800 |
| 3-3/16 to 3-1/2 | 4700 | 5870 | 6900 |
| 3-11/16 to 4 | 7500 | 9350 | 11000 |
| 4-7/16 to 4-1/2 | 9900 | 12330 | 14500 |
| 4-15/16 to 5 | 13400 | 16750 | 19700 |

* When utilizing heavy cap loads on pillow block housings; the installation must adhere to the following procedures:

1. The pillow block base bolts must be of high strength (Grade 8) bolts and properly tightened to mounting structure.
2. Stop bars (shear strips) should be used against the plummer block where side loads are encountered.
3. In all cases where loads are heavy, the L10 life of the bearing should be checked for proper selection and life requirements.

| | | | |
|---------------------------------|--------------------------------------|-------------------------------------|------------------------------------|
| IMPERIAL FEATURES PAGE B10-3 | IMPERIAL SPECIFICATION PAGE B10-6 | IMPERIAL NOMENCLATURE PAGE B10-9 | IMPERIAL DIMENSIONS PAGE B10-20 |
|---------------------------------|--------------------------------------|-------------------------------------|------------------------------------|



IMPERIAL - ISAF Spherical Roller Bearings

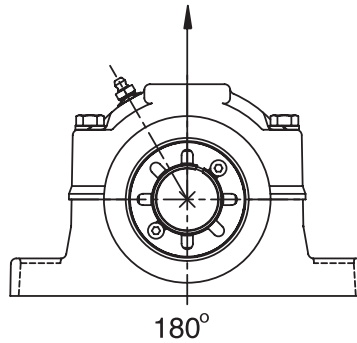


Table 5: ISAF Housing Rating*

| SHAFT SIZE (INCHES) | MAXIMUM RECOMMENDED HOUSING CAP LOADS, LBS |
|------------------------|--|
| | 180° |
| 1-1/8 thru 1-1/2 | 4,600 |
| 1-5/8 thru 1-3/4 | 5,400 |
| 1-7/8 thru 2 | 7,875 |
| 2-3/16 thru 2-1/4 | 9,200 |
| 2-3/8 thru 2-1/2 | 9,220 |
| 2-11/16 thru 3 | 10,200 |
| 3-3/8 thru 3-1/2 | 14,700 |
| 3-11/16 thru 4 | 17,800 |
| 4-7/16 thru 4-1/2 | 18,300 |
| 4-15/16 thru 5 | 22,300 |
| 5-7/16 thru 5-1/2 | 25,100 |
| 5-15/16 thru 6 | 30,200 |
| 6-7/16 thru 7 | 35,300 |

* When utilizing heavy cap loads on pillow block housings; the installation must adhere to the following procedures:

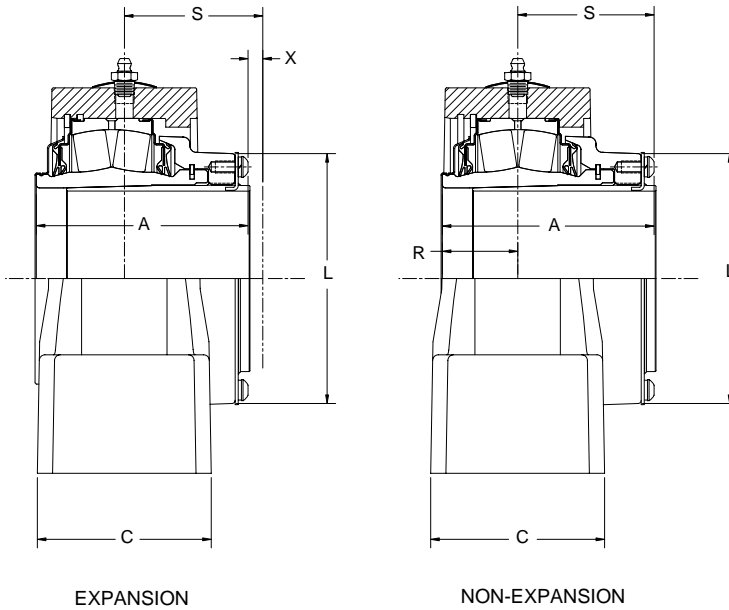
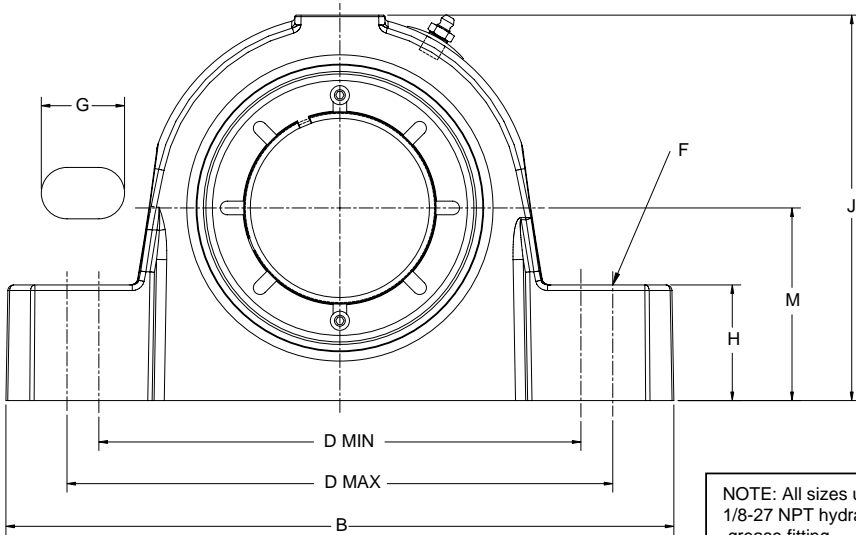
1. The pillow block base bolts must be of high strength (Grade 8) bolts and properly tightened to mounting structure.
2. Stop bars (shear strips) should be used against the plummer block where side loads are encountered.
3. In all cases where loads are heavy, the L_{10} life of the bearing should be checked for proper selection and life requirements.

| | | | |
|---------------------------------|--------------------------------------|-------------------------------------|------------------------------------|
| IMPERIAL FEATURES PAGE B10-3 | IMPERIAL SPECIFICATION PAGE B10-6 | IMPERIAL NOMENCLATURE PAGE B10-9 | IMPERIAL DIMENSIONS PAGE B10-20 |
|---------------------------------|--------------------------------------|-------------------------------------|------------------------------------|

DIMENSION



IMPERIAL - IP Pillow Block 1-1/8 THRU 2-1/4 INCH - 2-BOLT



NOTE: See page B10-22 for 2-3/8 - 4 inch

| | | | |
|---------------------------------|--------------------------------------|-------------------------------------|-----------------------------------|
| IMPERIAL FEATURES PAGE B10-3 | IMPERIAL SPECIFICATION PAGE B10-6 | IMPERIAL NOMENCLATURE PAGE B10-9 | IMPERIAL SELECTION PAGE B10-12 |
|---------------------------------|--------------------------------------|-------------------------------------|-----------------------------------|

DIMENSION



IMPERIAL - IP Pillow Block 1-1/8 THRU 2-1/4 INCH - 2-BOLT

IMPERIAL - ISAF

UNIFIED SAF

International Bearings

Sleeve Bearing

SLEEVOIL

| Bearing | Shaft Size Inch | TRIDENT Seal | | | | Labyrinth Seal | | | |
|---------|-----------------|---------------|-------------|-----------|--------------|----------------|-------------|-----------|--------------|
| | | Non-Expansion | | Expansion | | Non-Expansion | | Expansion | |
| | | Part No. | Part Name | Part No. | Part Name | Part No. | Part Name | Part No. | Part Name |
| 22208 | 1 - 1/8 | 069400 | P2B-IP-102R | 069428 | P2B-IP-102RE | 069456 | P2B-IP-102L | 069484 | P2B-IP-102LE |
| | 1 - 3/16 | 069401 | P2B-IP-103R | 069429 | P2B-IP-103RE | 069457 | P2B-IP-103L | 069485 | P2B-IP-103LE |
| | 1 - 1/4 | 069402 | P2B-IP-104R | 069430 | P2B-IP-104RE | 069458 | P2B-IP-104L | 069486 | P2B-IP-104LE |
| | 1 - 3/8 | 069403 | P2B-IP-106R | 069431 | P2B-IP-106RE | 069459 | P2B-IP-106L | 069487 | P2B-IP-106LE |
| | 1 - 7/16 | 069404 | P2B-IP-107R | 069432 | P2B-IP-107RE | 069460 | P2B-IP-107L | 069488 | P2B-IP-107LE |
| | 1 - 1/2 | 069405 | P2B-IP-108R | 069433 | P2B-IP-108RE | 069461 | P2B-IP-108L | 069489 | P2B-IP-108LE |
| 22209 | 1 - 5/8 | 069406 | P2B-IP-110R | 069434 | P2B-IP-110RE | 069462 | P2B-IP-110L | 069490 | P2B-IP-110LE |
| | 1 - 11/16 | 069407 | P2B-IP-111R | 069435 | P2B-IP-111RE | 069463 | P2B-IP-111L | 069491 | P2B-IP-111LE |
| | 1 - 3/4 | 069408 | P2B-IP-112R | 069436 | P2B-IP-112RE | 069464 | P2B-IP-112L | 069492 | P2B-IP-112LE |
| 22210 | 1-7/8 | 069409 | P2B-IP-114R | 069437 | P2B-IP-114RE | 069465 | P2B-IP-114L | 069493 | P2B-IP-114LE |
| | 1 - 15/16 | 069410 | P2B-IP-115R | 069438 | P2B-IP-115RE | 069466 | P2B-IP-115L | 069494 | P2B-IP-115LE |
| | 2 | 069411 | P2B-IP-200R | 069439 | P2B-IP-200RE | 069467 | P2B-IP-200L | 069495 | P2B-IP-200LE |
| 22211 | 2 - 3/16 | 069412 | P2B-IP-203R | 069440 | P2B-IP-203RE | 069468 | P2B-IP-203L | 069496 | P2B-IP-203LE |
| | 2 - 1/4 | 069413 | P2B-IP-204R | 069441 | P2B-IP-204RE | 069469 | P2B-IP-204L | 069497 | P2B-IP-204LE |

Metric shaft sizes available upon request

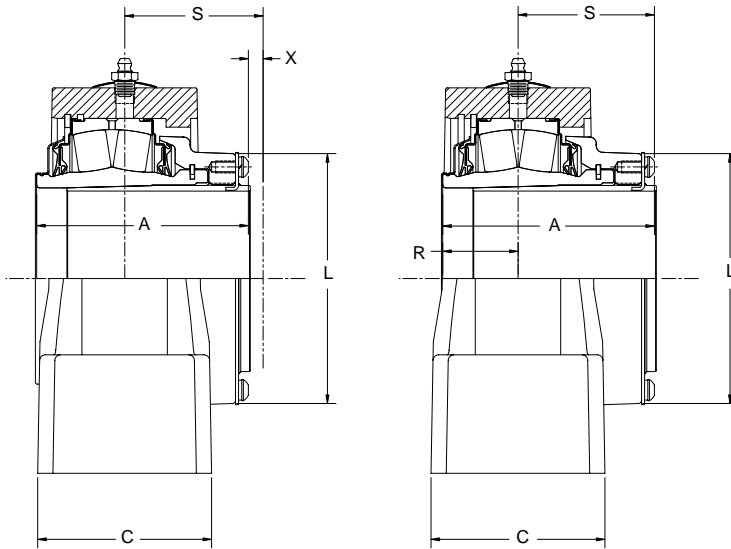
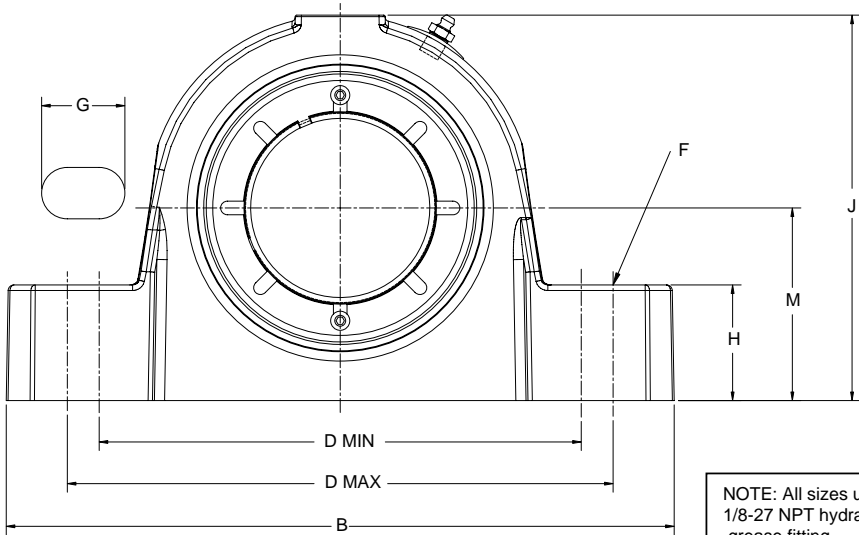
| SHAFT SIZE | A | B | C | D | | F BOLT DIA. | G | H | J | L | M | R | S | X TOTAL EXP. |
|------------|-----------|---------|-----------|-----------|-----------|-------------|-------|----------|-----------|-----------|---------|-------|---------|--------------|
| | | | | MIN | MAX | | | | | | | | | |
| 1 - 1/8 | | | | | | | | | | | | | | |
| 1 - 3/16 | | | | | | | | | | | | | | |
| 1 - 1/4 | 2 - 5/8 | 6 - 7/8 | 1 - 61/64 | 4 - 13/16 | 5 - 13/64 | 1/2 | 13/16 | 1 - 1/8 | 3 - 7/8 | 2 - 23/32 | 1 - 7/8 | 7/8 | 1 - 3/4 | 3/16 |
| 1 - 3/8 | | | | | | | | | | | | | | |
| 1 - 7/16 | | | | | | | | | | | | | | |
| 1 - 1/2 | | | | | | | | | | | | | | |
| 1 - 5/8 | | | | | | | | | | | | | | |
| 1 - 11/16 | 2 - 13/16 | 7 - 3/8 | 2 - 1/16 | 5 - 5/16 | 5 - 45/64 | 1/2 | 13/16 | 1 - 1/4 | 4 - 17/64 | 3 | 2 - 1/8 | 13/16 | 2 | 1/4 |
| 1 - 3/4 | | | | | | | | | | | | | | |
| 1-7/8 | | | | | | | | | | | | | | |
| 1 - 15/16 | 2 - 55/64 | 8 - 3/8 | 2 - 1/2 | 6 - 1/16 | 6 - 7/16 | 5/8 | 61/64 | 1 - 5/16 | 4 - 9/16 | 3 - 9/32 | 2 - 1/4 | 55/64 | 2 | 1/4 |
| 2 | | | | | | | | | | | | | | |
| 2 - 3/16 | | | | | | | | | | | | | | |
| 2 - 1/4 | 3 - 1/32 | 8 - 7/8 | 2 - 5/8 | 6 - 9/16 | 6 - 15/16 | 5/8 | 61/64 | 1 - 1/2 | 5 | 3 - 1/2 | 2 - 1/2 | 29/32 | 2 - 1/8 | 1/4 |

| | | | |
|---------------------------------|--------------------------------------|-------------------------------------|-----------------------------------|
| IMPERIAL FEATURES PAGE B10-3 | IMPERIAL SPECIFICATION PAGE B10-6 | IMPERIAL NOMENCLATURE PAGE B10-9 | IMPERIAL SELECTION PAGE B10-12 |
|---------------------------------|--------------------------------------|-------------------------------------|-----------------------------------|

DIMENSION



IMPERIAL - IP Pillow Block 2-3/8 THRU 4 INCH - 2-BOLT



EXPANSION

NON-EXPANSION

NOTE: See page B10-20 for 1-1/8 thru 2-1/4 inch

| | | | |
|---|--|---|---|
| <p>IMPERIAL FEATURES PAGE B10-3</p> | <p>IMPERIAL SPECIFICATION PAGE B10-6</p> | <p>IMPERIAL NOMENCLATURE PAGE B10-9</p> | <p>IMPERIAL SELECTION PAGE B10-12</p> |
|---|--|---|---|



IMPERIAL - IP Pillow Block 2-3/8 THRU 4 INCH - 2-BOLT

| Bearing | Shaft Size Inch | TRIDENT Seal | | | | Labyrinth Seal | | | |
|---------|-----------------|---------------|-------------|---------------|--------------|----------------|-------------|---------------|--------------|
| | | Non-Expansion | | Expansion | | Non-Expansion | | Expansion | |
| | | Part No. | Part Name | Part No. | Part Name | Part No. | Part Name | Part No. | Part Name |
| 22213 | 2-3/8 | 069414 | P2B-IP-206R | 069442 | P2B-IP-206RE | 069470 | P2B-IP-206L | 069498 | P2B-IP-206LE |
| | 2 - 7/16 | 069415 | P2B-IP-207R | 069443 | P2B-IP-207RE | 069471 | P2B-IP-207L | 069499 | P2B-IP-207LE |
| | 2 - 1/2 | 069416 | P2B-IP-208R | 069444 | P2B-IP-208RE | 069472 | P2B-IP-208L | 069500 | P2B-IP-208LE |
| 22215 | 2 - 11/16 | 069417 | P2B-IP-211R | 069445 | P2B-IP-211RE | 069473 | P2B-IP-211L | 069501 | P2B-IP-211LE |
| | 2-3/4 | 069418 | P2B-IP-212R | 069446 | P2B-IP-212RE | 069474 | P2B-IP-212L | 069502 | P2B-IP-212LE |
| | 2 - 15/16 | 069419 | P2B-IP-215R | 069447 | P2B-IP-215RE | 069475 | P2B-IP-215L | 069503 | P2B-IP-215LE |
| | 3 | 069420 | P2B-IP-300R | 069448 | P2B-IP-300RE | 069476 | P2B-IP-300L | 069504 | P2B-IP-300LE |
| 22218 | 3 - 3/16 | 069421 | P2B-IP-303R | 069449 | P2B-IP-303RE | 069477 | P2B-IP-303L | 069505 | P2B-IP-303LE |
| | 3-1/4 | 069422 | P2B-IP-304R | 069450 | P2B-IP-304RE | 069478 | P2B-IP-304L | 069506 | P2B-IP-304LE |
| | 3 - 7/16 | 069423 | P2B-IP-307R | 069451 | P2B-IP-307RE | 069479 | P2B-IP-307L | 069507 | P2B-IP-307LE |
| | 3 - 1/2 | 069424 | P2B-IP-308R | 069452 | P2B-IP-308RE | 069480 | P2B-IP-308L | 069508 | P2B-IP-308LE |
| 22220 | 3 - 11/16 | 069425 | P2B-IP-311R | 069453 | P2B-IP-311RE | 069481 | P2B-IP-311L | 069509 | P2B-IP-311LE |
| | 3 - 15/16 | 069426 | P2B-IP-315R | 069454 | P2B-IP-315RE | 069482 | P2B-IP-315L | 069510 | P2B-IP-315LE |
| | 4 | 069427 | P2B-IP-400R | 069455 | P2B-IP-400RE | 069483 | P2B-IP-400L | 069511 | P2B-IP-400LE |

Metric shaft sizes available upon request

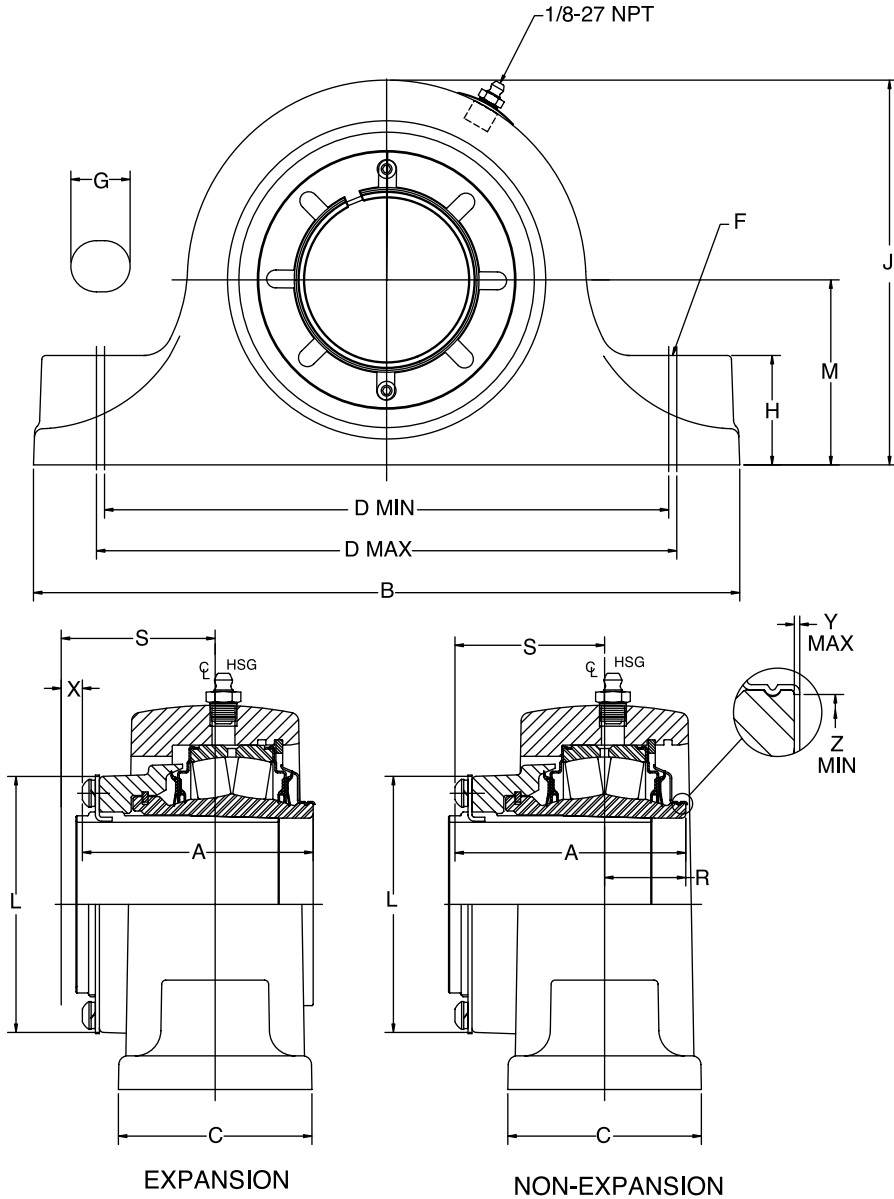
| SHAFT SIZE | A | B | C | D | | F BOLT DIA. | G | H | J | L | M | R | S | X TOTAL EXP. |
|------------|-----------|-----------|-----------|-----------|----------|-------------|----------|----------|-----------|----------|---------|-----------|-----------|--------------|
| | | | | MIN | MAX | | | | | | | | | |
| 2-3/8 | | | | | | | | | | | | | | |
| 2 - 7/16 | 3 - 27/64 | 9 - 1/4 | 2 - 55/64 | 6 - 15/16 | 7 - 5/16 | 5/8 | 61/64 | 1 - 5/8 | 5 - 19/32 | 3 - 7/8 | 2 - 3/4 | 1 - 13/64 | 2 - 7/32 | 1/4 |
| 2 - 1/2 | | | | | | | | | | | | | | |
| 2 - 11/16 | | | | | | | | | | | | | | |
| 2-3/4 | 3 - 1/2 | 10 - 7/16 | 3 - 5/64 | 7 - 15/16 | 8 - 5/16 | 3/4 | 1 - 1/16 | 1 - 7/8 | 6 - 3/8 | 4 - 9/32 | 3 - 1/4 | 1 - 15/64 | 2 - 17/64 | 1/4 |
| 2 - 15/16 | | | | | | | | | | | | | | |
| 3 | | | | | | | | | | | | | | |
| 3 - 3/16 | | | | | | | | | | | | | | |
| 3-1/4 | 4 - 11/64 | 13 | 3 - 27/64 | 9 - 3/8 | 10 - 5/8 | 7/8 | 1 - 5/8 | 2 - 1/4 | 7 - 1/2 | 5 | 3 - 3/4 | 1 - 31/64 | 2 - 11/16 | 1/4 |
| 3 - 7/16 | | | | | | | | | | | | | | |
| 3 - 1/2 | | | | | | | | | | | | | | |
| 3 - 11/16 | | | | | | | | | | | | | | |
| 3 - 15/16 | 4 - 45/64 | 15 - 1/4 | 3 - 29/32 | 10 - 5/8 | 12 - 7/8 | 1 | 2 - 1/4 | 2 - 7/16 | 8 - 3/8 | 5 - 9/16 | 4 - 1/4 | 1 - 41/64 | 3 - 1/16 | 5/16 |
| 4 | | | | | | | | | | | | | | |

| | | | |
|---------------------------------|--------------------------------------|-------------------------------------|-----------------------------------|
| IMPERIAL FEATURES PAGE B10-3 | IMPERIAL SPECIFICATION PAGE B10-6 | IMPERIAL NOMENCLATURE PAGE B10-9 | IMPERIAL SELECTION PAGE B10-12 |
|---------------------------------|--------------------------------------|-------------------------------------|-----------------------------------|

DIMENSION



IMPERIAL - IP Pillow Block with Type E Dimensions 1-3/8 THRU 2-3/16 INCH 2-BOLT



NOTE: See page B10-26 for 2-1/4 thru 3-1/2 inch

| | | | |
|---------------------------------|--------------------------------------|-------------------------------------|-----------------------------------|
| IMPERIAL FEATURES PAGE B10-3 | IMPERIAL SPECIFICATION PAGE B10-6 | IMPERIAL NOMENCLATURE PAGE B10-9 | IMPERIAL SELECTION PAGE B10-12 |
|---------------------------------|--------------------------------------|-------------------------------------|-----------------------------------|



IMPERIAL - IP Pillow Block with Type E Dimensions 1-3/8 THRU 2-3/16 INCH 2-BOLT

| Bearing Series | Shaft Size* | TRIDENT SEAL | | | | Labyrinth Seal | | | |
|----------------|-------------|---------------|--------------|---------------|---------------|----------------|--------------|---------------|---------------|
| | | Non Expansion | | Expansion | | Non Expansion | | Expansion | |
| | | Part No. | Part Name | Part No. | Part Name | Part No. | Part Name | Part No. | Part Name |
| 22208 | 1-3/8 | 071120 | EP2B-IP-106R | 071141 | EP2B-IP-106RE | 071162 | EP2B-IP-106L | 071183 | EP2B-IP-106LE |
| | 1-7/16 | 071121 | EP2B-IP-107R | 071142 | EP2B-IP-107RE | 071163 | EP2B-IP-107L | 071184 | EP2B-IP-107LE |
| 22209 | 1-1/2 | 071122 | EP2B-IP-108R | 071143 | EP2B-IP-108RE | 071164 | EP2B-IP-108L | 071185 | EP2B-IP-108LE |
| | 1-5/8 | 071123 | EP2B-IP-110R | 071144 | EP2B-IP-110RE | 071165 | EP2B-IP-110L | 071186 | EP2B-IP-110LE |
| | 1-11/16 | 071124 | EP2B-IP-111R | 071145 | EP2B-IP-111RE | 071166 | EP2B-IP-111L | 071187 | EP2B-IP-111LE |
| 22210 | 1-3/4 | 071125 | EP2B-IP-112R | 071146 | EP2B-IP-112RE | 071167 | EP2B-IP-112L | 071188 | EP2B-IP-112LE |
| | 1-7/8 | 071126 | EP2B-IP-114R | 071147 | EP2B-IP-114RE | 071168 | EP2B-IP-114L | 071189 | EP2B-IP-114LE |
| | 1-15/16 | 071127 | EP2B-IP-115R | 071148 | EP2B-IP-115RE | 071169 | EP2B-IP-115L | 071190 | EP2B-IP-115LE |
| | 2 | 071128 | EP2B-IP-200R | 071149 | EP2B-IP-200RE | 071170 | EP2B-IP-200L | 071191 | EP2B-IP-200LE |
| 22211 | 2-3/16 | 071129 | EP2B-IP-203R | 071150 | EP2B-IP-203RE | 071171 | EP2B-IP-203L | 071192 | EP2B-IP-203LE |

*CONSULT DODGE FOR SIZES NOT LISTED

| SHAFT SIZE | A | B # | C # | D | | F BOLT DIA. | G # | H # | J # | L | M | R | S | X TOTAL EXP. | Y | Z |
|--------------------------------|------|------|------|------|------|-------------|------|------|------|------|-------|------|------|--------------|-------|------|
| | | | | MIN | MAX | | | | | | | | | | | |
| 1-3/8 1-7/16 | 2.63 | 7.37 | 2.12 | 5.63 | 5.88 | 1/2 | 0.75 | 1.13 | 3.85 | 2.72 | 1.875 | 1.04 | 1.59 | 0.16 | 0.020 | 1.80 |
| 1-1/2 1-5/8 1-11/16 | 2.81 | 7.88 | 2.38 | 6.13 | 6.38 | 1/2 | 0.75 | 1.25 | 4.25 | 3.00 | 2.125 | 0.98 | 1.83 | 0.19 | 0.020 | 2.08 |
| 1-3/4 1-7/8 1-15/16 2 | 2.86 | 8.87 | 2.49 | 6.88 | 7.12 | 5/8 | 0.88 | 1.31 | 4.47 | 3.28 | 2.250 | 1.10 | 1.76 | 0.22 | 0.020 | 2.30 |
| 2-3/16 | 3.03 | 9.62 | 2.56 | 7.63 | 7.88 | 5/8 | 0.88 | 1.50 | 5.00 | 3.50 | 2.500 | 1.06 | 1.97 | 0.25 | 0.025 | 2.60 |

NOTES: "A" AND "R" DIMENSIONS DO NOT INCLUDE "Y" DIMENSION

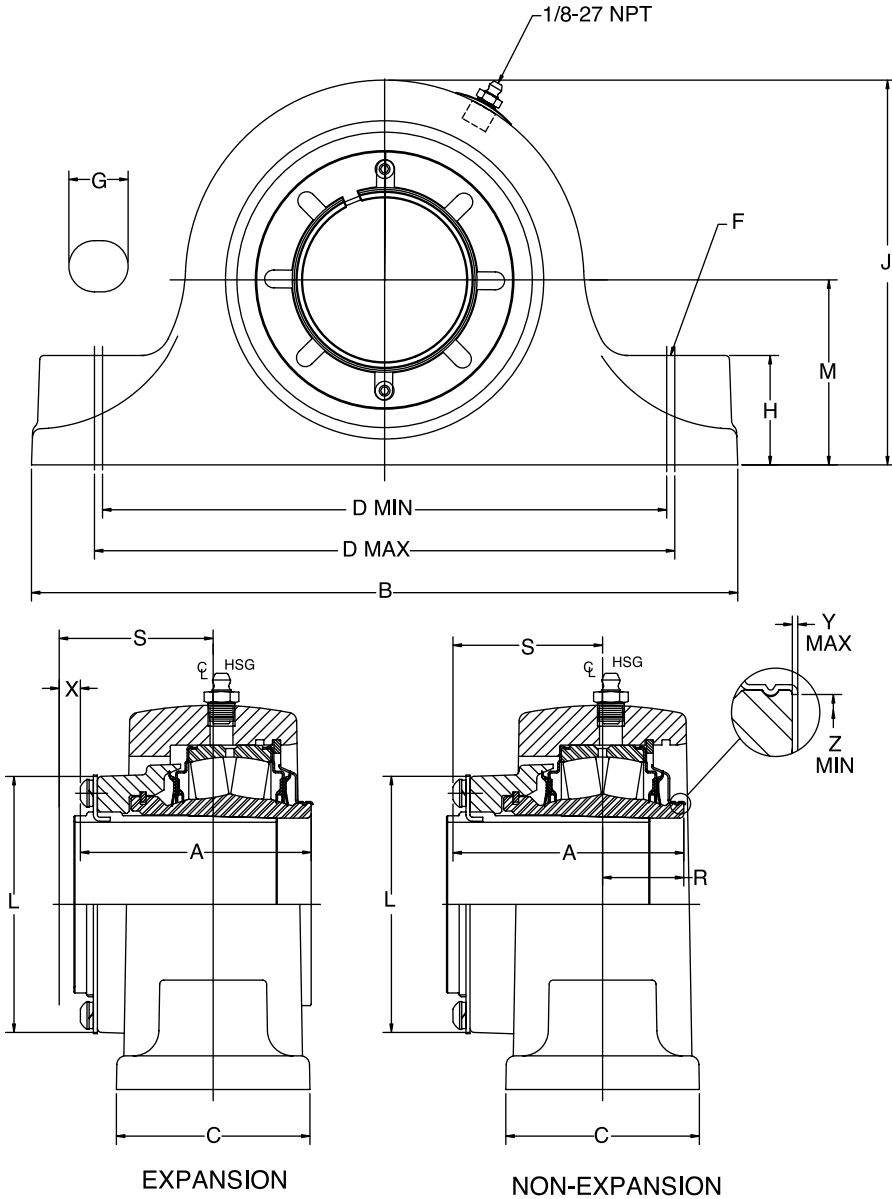
REFERENCE DIMENSION ONLY

| | | | |
|---------------------------------|--------------------------------------|-------------------------------------|-----------------------------------|
| IMPERIAL FEATURES PAGE B10-3 | IMPERIAL SPECIFICATION PAGE B10-6 | IMPERIAL NOMENCLATURE PAGE B10-9 | IMPERIAL SELECTION PAGE B10-12 |
|---------------------------------|--------------------------------------|-------------------------------------|-----------------------------------|

DIMENSION



IMPERIAL - IP Pillow Block with Type E Dimensions 2-1/4 THRU 3-1/2 INCH 2-BOLT



NOTE: See page B10-24 for 1-3/8 thru 2-3/16 inch

| | | | |
|---|--|---|---|
| <p>IMPERIAL FEATURES PAGE B10-3</p> | <p>IMPERIAL SPECIFICATION PAGE B10-6</p> | <p>IMPERIAL NOMENCLATURE PAGE B10-9</p> | <p>IMPERIAL SELECTION PAGE B10-12</p> |
|---|--|---|---|



IMPERIAL - IP Pillow Block with Type E Dimensions 2-1/4 THRU 3-1/2 INCH 2-BOLT

| Bearing Series | Shaft Size* | TRIDENT Seal | | | | Labyrinth SEAL | | | |
|----------------|-------------|---------------|--------------|-----------|---------------|----------------|--------------|-----------|---------------|
| | | Non Expansion | | Expansion | | Non Expansion | | Expansion | |
| | | Part No. | Part Name | Part No. | Part Name | Part No. | Part Name | Part No. | Part Name |
| 22213 | 2-1/4 | 071130 | EP2B-IP-204R | 071151 | EP2B-IP-204RE | 071172 | EP2B-IP-204L | 071193 | EP2B-IP-204LE |
| | 2-7/16 | 071131 | EP2B-IP-207R | 071152 | EP2B-IP-207RE | 071173 | EP2B-IP-207L | 071194 | EP2B-IP-207LE |
| | 2-1/2 | 071132 | EP2B-IP-208R | 071153 | EP2B-IP-208RE | 071174 | EP2B-IP-208L | 071195 | EP2B-IP-208LE |
| 22215 | 2-11/16 | 071133 | EP2B-IP-211R | 071154 | EP2B-IP-211RE | 071175 | EP2B-IP-211L | 071196 | EP2B-IP-211LE |
| | 2-3/4 | 071134 | EP2B-IP-212R | 071155 | EP2B-IP-212RE | 071176 | EP2B-IP-212L | 071197 | EP2B-IP-212LE |
| | 2-15/16 | 071135 | EP2B-IP-215R | 071156 | EP2B-IP-215RE | 071177 | EP2B-IP-215L | 071198 | EP2B-IP-215LE |
| | 3 | 071136 | EP2B-IP-300R | 071157 | EP2B-IP-300RE | 071178 | EP2B-IP-300L | 071199 | EP2B-IP-300LE |
| 22218 | 3-3/16 | 071137 | EP2B-IP-303R | 071158 | EP2B-IP-303RE | 071179 | EP2B-IP-303L | 071200 | EP2B-IP-303LE |
| | 3-1/4 | 071138 | EP2B-IP-304R | 071159 | EP2B-IP-304RE | 071180 | EP2B-IP-304L | 071201 | EP2B-IP-304LE |
| | 3-7/16 | 071139 | EP2B-IP-307R | 071160 | EP2B-IP-307RE | 071181 | EP2B-IP-307L | 071202 | EP2B-IP-307LE |
| | 3-1/2 | 071140 | EP2B-IP-308R | 071161 | EP2B-IP-308RE | 071182 | EP2B-IP-308L | 071203 | EP2B-IP-308LE |

*CONSULT DODGE FOR SIZES NOT LISTED

| SHAFT SIZE | A | B # | C # | D | | F BOLT DIA. | G # | H # | J # | L | M | R | S | X TOTAL EXP. | Y | Z |
|------------|------|-------|------|-------|-------|-------------|------|------|------|------|-------|------|------|--------------|-------|------|
| | | | | MIN | MAX | | | | | | | | | | | |
| 2-1/4 | | | | | | | | | | | | | | | | |
| 2-7/16 | 3.42 | 10.50 | 2.87 | 8.38 | 8.62 | 5/8 | 0.88 | 1.63 | 5.71 | 3.88 | 2.750 | 1.20 | 2.22 | 0.25 | 0.025 | 2.95 |
| 2-1/2 | | | | | | | | | | | | | | | | |
| 2-11/16 | | | | | | | | | | | | | | | | |
| 2-3/4 | 3.50 | 12.00 | 2.99 | 9.31 | 9.69 | 3/4 | 1.07 | 1.88 | 6.32 | 4.28 | 3.125 | 1.35 | 2.15 | 0.25 | 0.025 | 3.47 |
| 2-15/16 | | | | | | | | | | | | | | | | |
| 3 | | | | | | | | | | | | | | | | |
| 3-3/16 | | | | | | | | | | | | | | | | |
| 3-1/4 | 4.17 | 14.00 | 3.49 | 10.81 | 11.19 | 7/8 | 1.19 | 2.25 | 7.69 | 5.00 | 3.750 | 1.51 | 2.66 | 0.25 | 0.025 | 4.05 |
| 3-7/16 | | | | | | | | | | | | | | | | |
| 3-1/2 | | | | | | | | | | | | | | | | |

NOTES: "A" AND "R" DIMENSIONS DO NOT INCLUDE "Y" DIMENSION

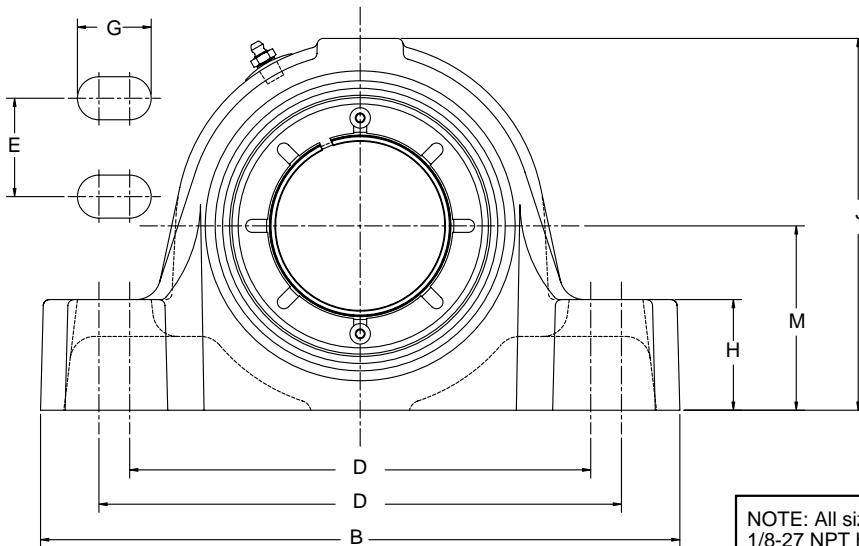
REFERENCE DIMENSION ONLY

| | | | |
|---------------------------------|--------------------------------------|-------------------------------------|-----------------------------------|
| IMPERIAL FEATURES PAGE B10-3 | IMPERIAL SPECIFICATION PAGE B10-6 | IMPERIAL NOMENCLATURE PAGE B10-9 | IMPERIAL SELECTION PAGE B10-12 |
|---------------------------------|--------------------------------------|-------------------------------------|-----------------------------------|

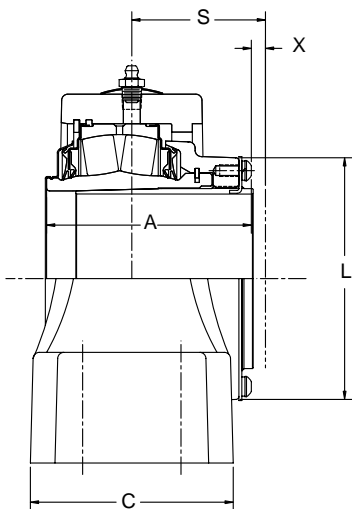
DIMENSION



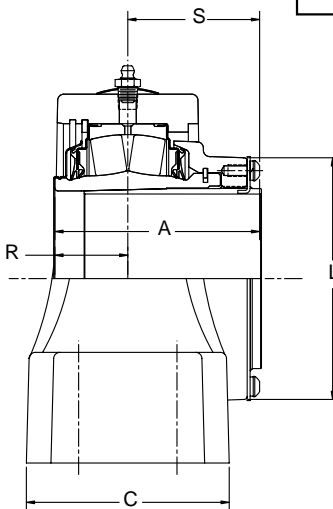
IMPERIAL - IP Pillow Block 2-3/8 THRU 3-1/2 INCH - 4-BOLT



NOTE: All sizes use a 1/8-27 NPT hydraulic grease fitting



EXPANSION



NON-EXPANSION

NOTE: See page B10-30 for 3-11/16 thru 5 inch

| | | | |
|---|--|---|---|
| <p>IMPERIAL FEATURES PAGE B10-3</p> | <p>IMPERIAL SPECIFICATION PAGE B10-6</p> | <p>IMPERIAL NOMENCLATURE PAGE B10-9</p> | <p>IMPERIAL SELECTION PAGE B10-12</p> |
|---|--|---|---|

DIMENSION



IMPERIAL - IP Pillow Block 2-3/8 THRU 3-1/2 INCH - 4-BOLT

| Bearing | Shaft Size Inch | TRIDENT Seal | | | | Labyrinth Seal | | | |
|---------|-----------------|---------------|-------------|---------------|--------------|----------------|-------------|---------------|--------------|
| | | Non-Expansion | | Expansion | | Non-Expansion | | Expansion | |
| | | Part No. | Part Name | Part No. | Part Name | Part No. | Part Name | Part No. | Part Name |
| 22213 | 2 - 3/8 | 069520 | P4B-IP-206R | 069538 | P4B-IP-206RE | 069556 | P4B-IP-206L | 069574 | P4B-IP-206LE |
| | 2 - 7/16 | 069521 | P4B-IP-207R | 069539 | P4B-IP-207RE | 069557 | P4B-IP-207L | 069575 | P4B-IP-207LE |
| | 2 - 1/2 | 069522 | P4B-IP-208R | 069540 | P4B-IP-208RE | 069558 | P4B-IP-208L | 069576 | P4B-IP-208LE |
| 22215 | 2 - 11/16 | 069523 | P4B-IP-211R | 069541 | P4B-IP-211RE | 069559 | P4B-IP-211L | 069577 | P4B-IP-211LE |
| | 2 - 3/4 | 069524 | P4B-IP-212R | 069542 | P4B-IP-212RE | 069560 | P4B-IP-212L | 069578 | P4B-IP-212LE |
| | 2 - 15/16 | 069525 | P4B-IP-215R | 069543 | P4B-IP-215RE | 069561 | P4B-IP-215L | 069579 | P4B-IP-215LE |
| | 3 | 069526 | P4B-IP-300R | 069544 | P4B-IP-300RE | 069562 | P4B-IP-300L | 069580 | P4B-IP-300LE |
| 22218 | 3 - 3/16 | 069527 | P4B-IP-303R | 069545 | P4B-IP-303RE | 069563 | P4B-IP-303L | 069581 | P4B-IP-303LE |
| | 3 - 1/4 | 069528 | P4B-IP-304R | 069546 | P4B-IP-304RE | 069564 | P4B-IP-304L | 069582 | P4B-IP-304LE |
| | 3 - 7/16 | 069529 | P4B-IP-307R | 069547 | P4B-IP-307RE | 069565 | P4B-IP-307L | 069583 | P4B-IP-307LE |
| | 3 - 1/2 | 069530 | P4B-IP-308R | 069548 | P4B-IP-308RE | 069566 | P4B-IP-308L | 069584 | P4B-IP-308LE |

Metric shaft sizes available upon request

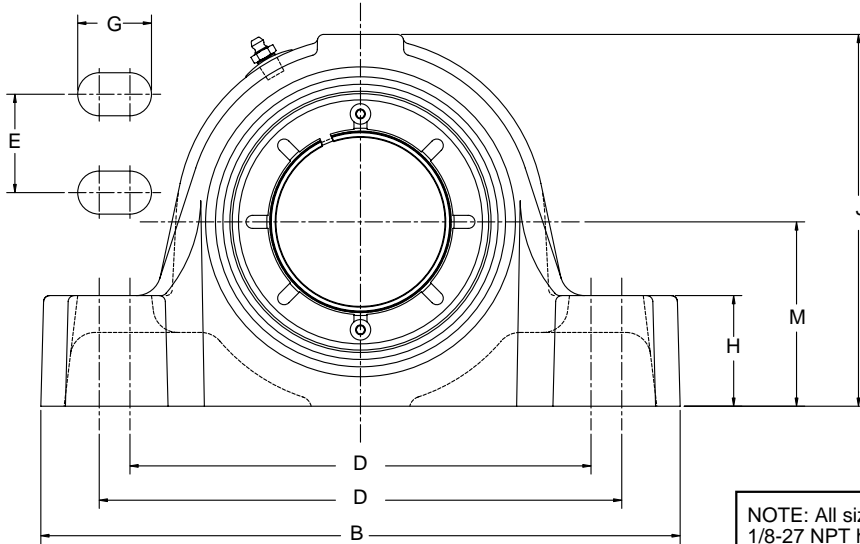
| SHAFT SIZE | A | B | C | D | | E | F BOLT DIA. | G | H | J | L | M | R | S | X TOTAL EXP. |
|------------|-----------|-----------|---------|-----------|----------|---------|-------------|---------|---------|-----------|----------|---------|----------|-----------|--------------|
| | | | | MIN | MAX | | | | | | | | | | |
| 2 - 3/8 | | | | | | | | | | | | | | | |
| 2 - 7/16 | 3 - 27/64 | 9 - 1/4 | 3 - 3/8 | 6 - 15/16 | 7 - 5/16 | 1 - 3/4 | 1/2 | 13/16 | 1 - 5/8 | 5 - 19/32 | 3 - 7/8 | 2 - 3/4 | 1 - 5/64 | 2 - 11/32 | 1/4 |
| 2 - 1/2 | | | | | | | | | | | | | | | |
| 2 - 11/16 | | | | | | | | | | | | | | | |
| 2 - 3/4 | 3 - 1/2 | 10 - 7/16 | 3 - 3/4 | 7 - 15/16 | 8 - 5/16 | 1 - 7/8 | 5/8 | 15/16 | 1 - 7/8 | 6 - 7/16 | 4 - 9/32 | 3 - 1/4 | 1 - 3/32 | 2 - 13/32 | 1/4 |
| 2 - 15/16 | | | | | | | | | | | | | | | |
| 3 | | | | | | | | | | | | | | | |
| 3 - 3/16 | 4 - 11/64 | 13 | 4 - 1/8 | 9 - 3/8 | 10 - 5/8 | 2 | 3/4 | 1 - 1/2 | 2 - 1/4 | 7 - 9/16 | 5 | 3 - 3/4 | 1 - 7/16 | 2 - 47/64 | 1/4 |
| 3 - 1/4 | | | | | | | | | | | | | | | |
| 3 - 7/16 | | | | | | | | | | | | | | | |
| 3 - 1/2 | | | | | | | | | | | | | | | |

| | | | |
|---------------------------------|--------------------------------------|-------------------------------------|-----------------------------------|
| IMPERIAL FEATURES PAGE B10-3 | IMPERIAL SPECIFICATION PAGE B10-6 | IMPERIAL NOMENCLATURE PAGE B10-9 | IMPERIAL SELECTION PAGE B10-12 |
|---------------------------------|--------------------------------------|-------------------------------------|-----------------------------------|

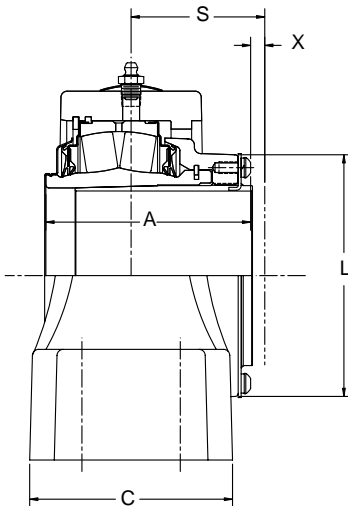
DIMENSION



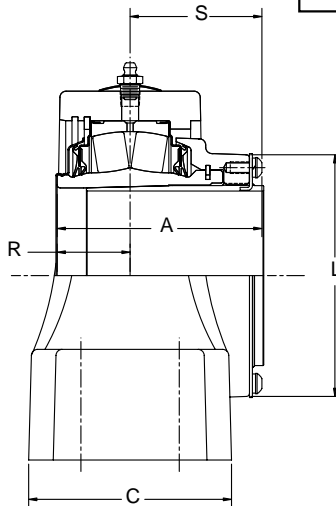
IMPERIAL - IP Pillow Block 3-11/16 THRU 5 INCH - 4-BOLT



NOTE: All sizes use a 1/8-27 NPT hydraulic grease fitting



EXPANSION



NON-EXPANSION

NOTE: See page B10-25 for 2-3/8 thru 3-1/2 inch

| | | | |
|---|--|---|---|
| <p>IMPERIAL FEATURES PAGE B10-3</p> | <p>IMPERIAL SPECIFICATION PAGE B10-6</p> | <p>IMPERIAL NOMENCLATURE PAGE B10-9</p> | <p>IMPERIAL SELECTION PAGE B10-12</p> |
|---|--|---|---|



IMPERIAL - IP Pillow Block 3-11/16 THRU 5 INCH - 4-BOLT

| Bearing | Shaft Size Inch | TRIDENT Seal | | | | Labyrinth Seal | | | |
|---------|-----------------|---------------|-------------|---------------|--------------|----------------|-------------|---------------|--------------|
| | | Non-Expansion | | Expansion | | Non-Expansion | | Expansion | |
| | | Part No. | Part Name | Part No. | Part Name | Part No. | Part Name | Part No. | Part Name |
| 22220 | 3 - 11/16 | 069531 | P4B-IP-311R | 069549 | P4B-IP-311RE | 069567 | P4B-IP-311L | 069585 | P4B-IP-311LE |
| | 3 - 15/16 | 069532 | P4B-IP-315R | 069550 | P4B-IP-315RE | 069568 | P4B-IP-315L | 069586 | P4B-IP-315LE |
| | 4 | 069533 | P4B-IP-400R | 069551 | P4B-IP-400RE | 069569 | P4B-IP-400L | 069587 | P4B-IP-400LE |
| 22222 | 4 - 7/16 | 069534 | P4B-IP-407R | 069552 | P4B-IP-407RE | 069570 | P4B-IP-407L | 069588 | P4B-IP-407LE |
| | 4 - 1/2 | 069535 | P4B-IP-408R | 069553 | P4B-IP-408RE | 069571 | P4B-IP-408L | 069589 | P4B-IP-408LE |
| 22226 | 4 - 15/16 | 069536 | P4B-IP-415R | 069554 | P4B-IP-415RE | 069572 | P4B-IP-415L | 069590 | P4B-IP-415LE |
| | 5 | 069537 | P4B-IP-500R | 069555 | P4B-IP-500RE | 069573 | P4B-IP-500L | 069591 | P4B-IP-500LE |

Metric shaft sizes available upon request

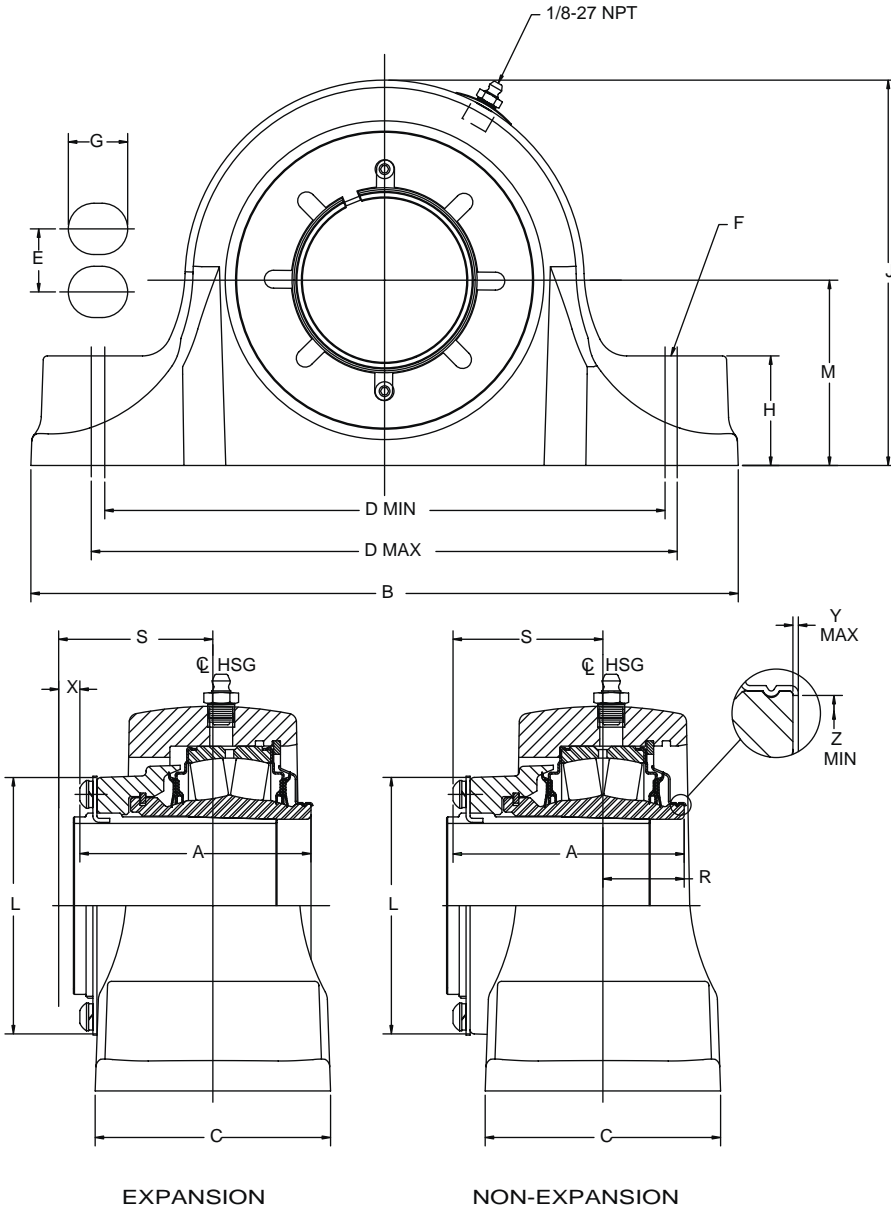
| SHAFT SIZE | A | B | C | D | | E | F BOLT DIA. | G | H | J | L | M | R | S | X TOTAL EXP. |
|------------|-----------|----------|---------|----------|----------|---------|-------------|---------|----------|----------|----------|---------|-----------|-----------|--------------|
| | | | | MIN | MAX | | | | | | | | | | |
| 3 - 11/16 | | | | | | | | | | | | | | | |
| 3 - 15/16 | 4 - 45/64 | 15 - 1/4 | 4 - 1/2 | 12 - 1/8 | 12 - 7/8 | 2 - 1/4 | 3/4 | 1 - 1/4 | 2 - 7/16 | 8 - 7/16 | 5 - 9/16 | 4 - 1/4 | 1 - 41/64 | 3 - 1/16 | 5/16 |
| 4 | | | | | | | | | | | | | | | |
| 4 - 7/16 | | | | | | | | | | | | | | | |
| 4 - 1/2 | 5 - 15/64 | 16 - 1/2 | 4 - 3/4 | 13 | 14 | 2 - 1/2 | 3/4 | 1 - 3/8 | 2 - 3/4 | 9 - 5/8 | 6 - 7/16 | 4 - 3/4 | 1 - 3/4 | 3 - 31/64 | 3/8 |
| 4 - 15/16 | | | | | | | | | | | | | | | |
| 5 | 5 - 63/64 | 18 - 5/8 | 5 - 3/8 | 15 | 16 | 2 - 3/4 | 7/8 | 1 - 1/2 | 3 | 11 - 1/8 | 7 - 5/8 | 5 - 1/2 | 1 - 29/32 | 4 - 5/64 | 3/8 |

| | | | |
|---------------------------------|--------------------------------------|-------------------------------------|-----------------------------------|
| IMPERIAL FEATURES PAGE B10-3 | IMPERIAL SPECIFICATION PAGE B10-6 | IMPERIAL NOMENCLATURE PAGE B10-9 | IMPERIAL SELECTION PAGE B10-12 |
|---------------------------------|--------------------------------------|-------------------------------------|-----------------------------------|

DIMENSION



IMPERIAL - IP Pillow Block with Type E Dimensions 2-1/4 THRU 7 INCH - 4-BOLT



| | | | |
|---------------------------------|--------------------------------------|-------------------------------------|-----------------------------------|
| IMPERIAL FEATURES PAGE B10-3 | IMPERIAL SPECIFICATION PAGE B10-6 | IMPERIAL NOMENCLATURE PAGE B10-9 | IMPERIAL SELECTION PAGE B10-12 |
|---------------------------------|--------------------------------------|-------------------------------------|-----------------------------------|



IMPERIAL - IP Pillow Block with Type E Dimensions
2-1/4 THRU 7 INCH - 4-BOLT

| Bearing Series | Shaft Size* | TRIDENT Seal | | | | Labyrinth Seal | | | |
|----------------|-------------|---------------|--------------|-----------|---------------|----------------|--------------|-----------|---------------|
| | | Non Expansion | | Expansion | | Non Expansion | | Expansion | |
| | | Part No. | Part Name | Part No. | Part Name | Part No. | Part Name | Part No. | Part Name |
| 22213 | 2-1/4 | 071204 | EP4B-IP-204R | 071221 | EP4B-IP-204RE | 071238 | EP4B-IP-204L | 071255 | EP4B-IP-204LE |
| | 2-7/16 | 071205 | EP4B-IP-207R | 071222 | EP4B-IP-207RE | 071239 | EP4B-IP-207L | 071256 | EP4B-IP-207LE |
| | 2-1/2 | 071206 | EP4B-IP-208R | 071223 | EP4B-IP-208RE | 071240 | EP4B-IP-208L | 071257 | EP4B-IP-208LE |
| 22215 | 2-11/16 | 071207 | EP4B-IP-211R | 071224 | EP4B-IP-211RE | 071241 | EP4B-IP-211L | 071258 | EP4B-IP-211LE |
| | 2-3/4 | 071208 | EP4B-IP-212R | 071225 | EP4B-IP-212RE | 071242 | EP4B-IP-212L | 071259 | EP4B-IP-212LE |
| | 2-15/16 | 071209 | EP4B-IP-215R | 071226 | EP4B-IP-215RE | 071243 | EP4B-IP-215L | 071260 | EP4B-IP-215LE |
| | 3 | 071210 | EP4B-IP-300R | 071227 | EP4B-IP-300RE | 071244 | EP4B-IP-300L | 071261 | EP4B-IP-300LE |
| 22218 | 3-3/16 | 071211 | EP4B-IP-303R | 071228 | EP4B-IP-303RE | 071245 | EP4B-IP-303L | 071262 | EP4B-IP-303LE |
| | 3-1/4 | 071212 | EP4B-IP-304R | 071229 | EP4B-IP-304RE | 071246 | EP4B-IP-304L | 071263 | EP4B-IP-304LE |
| | 3-7/16 | 071213 | EP4B-IP-307R | 071230 | EP4B-IP-307RE | 071247 | EP4B-IP-307L | 071264 | EP4B-IP-307LE |
| | 3-1/2 | 071214 | EP4B-IP-308R | 071231 | EP4B-IP-308RE | 071248 | EP4B-IP-308L | 071265 | EP4B-IP-308LE |
| 22220 | 3-15/16 | 071215 | EP4B-IP-315R | 071232 | EP4B-IP-315RE | 071249 | EP4B-IP-315L | 071266 | EP4B-IP-315LE |
| | 4 | 071216 | EP4B-IP-400R | 071233 | EP4B-IP-400RE | 071250 | EP4B-IP-400L | 071267 | EP4B-IP-400LE |
| 22222 | 4-7/16 | 071217 | EP4B-IP-407R | 071234 | EP4B-IP-407RE | 071251 | EP4B-IP-407L | 071268 | EP4B-IP-407LE |
| | 4-1/2 | 071218 | EP4B-IP-408R | 071235 | EP4B-IP-408RE | 071252 | EP4B-IP-408L | 071269 | EP4B-IP-408LE |
| 22226 | 4-15/16 | 071219 | EP4B-IP-415R | 071236 | EP4B-IP-415RE | 071253 | EP4B-IP-415L | 071270 | EP4B-IP-415LE |
| | 5 | 071220 | EP4B-IP-500R | 071237 | EP4B-IP-500RE | 071254 | EP4B-IP-500L | 071271 | EP4B-IP-500LE |
| 22228 | 5-7/16 | 071610 | EP4B-IP-507R | 071618 | EP4B-IP-507RE | 071626 | EP4B-IP-507L | 071634 | EP4B-IP-507LE |
| | 5-1/2 | 071611 | EP4B-IP-508R | 071619 | EP4B-IP-508RE | 071627 | EP4B-IP-508L | 071635 | EP4B-IP-508LE |
| 22232 | 5-15/16 | 071612 | EP4B-IP-515R | 071620 | EP4B-IP-515RE | 071628 | EP4B-IP-515L | 071636 | EP4B-IP-515LE |
| | 6 | 071613 | EP4B-IP-600R | 071621 | EP4B-IP-600RE | 071629 | EP4B-IP-600L | 071637 | EP4B-IP-600LE |
| 22236 | 6-7/16 | 071614 | EP4B-IP-607R | 071622 | EP4B-IP-607RE | 071630 | EP4B-IP-607L | 071638 | EP4B-IP-607LE |
| | 6-1/2 | 071615 | EP4B-IP-608R | 071623 | EP4B-IP-608RE | 071631 | EP4B-IP-608L | 071639 | EP4B-IP-608LE |
| | 6-15/16 | 071616 | EP4B-IP-615R | 071624 | EP4B-IP-615RE | 071632 | EP4B-IP-615L | 071640 | EP4B-IP-615LE |
| | 7 | 071617 | EP4B-IP-700R | 071625 | EP4B-IP-700RE | 071633 | EP4B-IP-700L | 071641 | EP4B-IP-700LE |

*CONSULT DODGE FOR SIZES NOT LISTED

| SHAFT SIZE | A | B# | C# | D | | E | F BOLT DIA. | G# | H# | J# | L | M | R | S | X TOTAL EXP. | Y | Z |
|------------------------------------|------|-------|------|-------|-------|------|-------------|------|------|-------|-------|-------|------|------|--------------|-------|------|
| | | | | MIN | MAX | | | | | | | | | | | | |
| 2-1/4 2-7/16 2-1/2 | 3.42 | 10.50 | 3.49 | 8.31 | 8.69 | 1.87 | 5/8 | 0.87 | 1.63 | 5.72 | 3.88 | 2.750 | 1.21 | 2.21 | 0.25 | 0.025 | 2.94 |
| 2-11/16 2-3/4 2-15/16 3 | 3.50 | 12.00 | 4.00 | 9.18 | 9.82 | 2.13 | 5/8 | 1.00 | 1.88 | 6.33 | 4.28 | 3.125 | 1.35 | 2.15 | 0.25 | 0.025 | 3.47 |
| 3-3/16 3-1/4 3-7/16 3-1/2 | 4.17 | 13.50 | 4.49 | 10.75 | 11.25 | 2.37 | 3/4 | 1.13 | 2.25 | 7.69 | 5.00 | 3.750 | 1.54 | 2.63 | 0.25 | 0.025 | 4.05 |
| 3-15/16 4 | 4.70 | 15.25 | 4.50 | 12.25 | 12.75 | 2.25 | 3/4 | 1.13 | 2.44 | 8.70 | 5.56 | 4.250 | 1.35 | 3.35 | 0.31 | 0.025 | 4.50 |
| 4-7/16 4-1/2 | 5.23 | 16.63 | 4.63 | 13.25 | 13.75 | 2.50 | 3/4 | 1.13 | 2.75 | 9.67 | 6.44 | 4.750 | 1.82 | 3.41 | 0.38 | 0.036 | 5.00 |
| 4-15/16 5 | 5.98 | 18.50 | 5.13 | 15.25 | 15.75 | 2.87 | 7/8 | 1.25 | 3.00 | 11.16 | 7.63 | 5.500 | 1.93 | 4.05 | 0.38 | 0.036 | 5.84 |
| 5-7/16 5-1/2 | 6.17 | 22 | 6.25 | 17.38 | 19.12 | 3.75 | 1 | 2 | 3.25 | 13.19 | 8.75 | 6.69 | 1.4 | 4.77 | 0.38 | 0.036 | 5.92 |
| 5-15/16 6 | 7.08 | 22 | 6.25 | 17.38 | 19.12 | 3.75 | 1 | 2 | 3.25 | 13.19 | 10.25 | 6.69 | 2.66 | 4.42 | 0.38 | 0.036 | 7.02 |
| 6-7/16 6-1/2 6-15/16 7 | 7.39 | 26 | 7.12 | 21.25 | 23.25 | 4.62 | 1 | 2 | 3.69 | 14.94 | 11.41 | 7.5 | 2.46 | 4.94 | 0.36 | 0.036 | 7.89 |

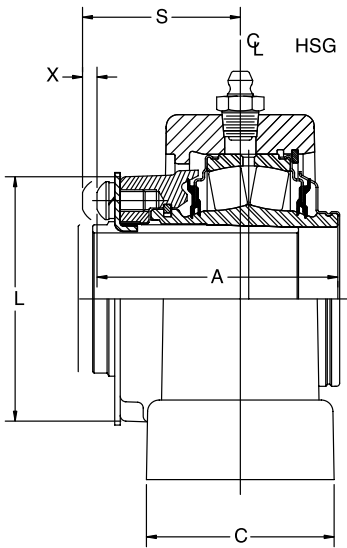
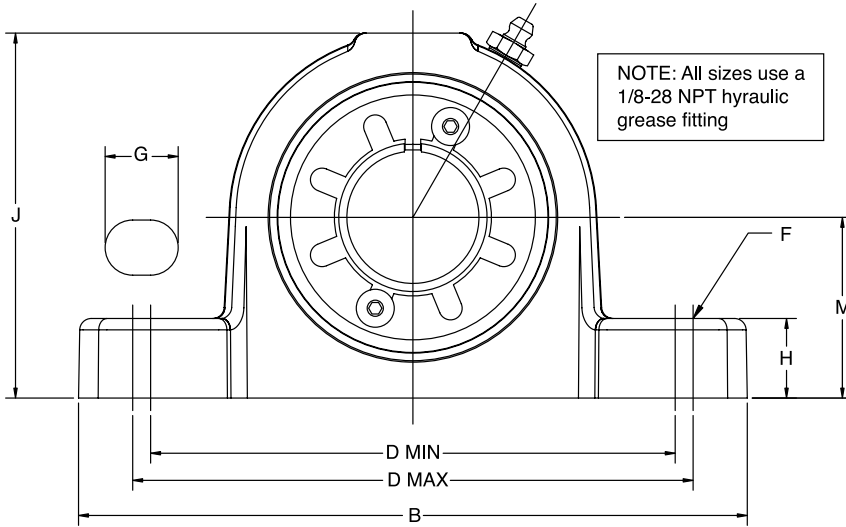
NOTES: "A" AND "R" DIMENSIONS DO NOT INCLUDE "Y" DIMENSION
 # REFERENCE DIMENSION ONLY

| | | | |
|---------------------------------|--------------------------------------|-------------------------------------|-----------------------------------|
| IMPERIAL FEATURES PAGE B10-3 | IMPERIAL SPECIFICATION PAGE B10-6 | IMPERIAL NOMENCLATURE PAGE B10-9 | IMPERIAL SELECTION PAGE B10-12 |
|---------------------------------|--------------------------------------|-------------------------------------|-----------------------------------|

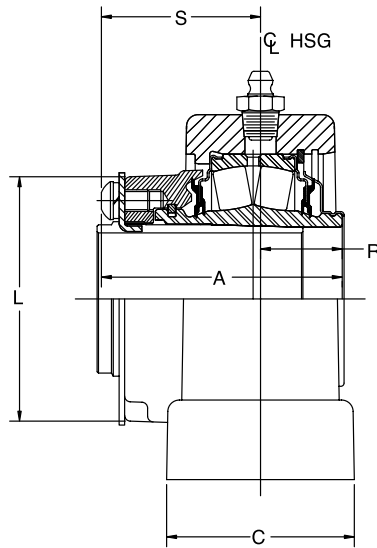
DIMENSION



IMPERIAL - ISN Metric Pillow Block 30 THROUGH 125mm, 2-BOLT



EXPANSION



NON-EXPANSION

| | | | |
|---------------------------------|--------------------------------------|-------------------------------------|-----------------------------------|
| IMPERIAL FEATURES PAGE B10-3 | IMPERIAL SPECIFICATION PAGE B10-6 | IMPERIAL NOMENCLATURE PAGE B10-9 | IMPERIAL SELECTION PAGE B10-12 |
|---------------------------------|--------------------------------------|-------------------------------------|-----------------------------------|



IMPERIAL - ISN Metric Pillow Block 30 THROUGH 125mm, 2-BOLT

| Bearing | Shaft Size mm | TRIDENT Seal | | | | Labyrinth Seal | | | |
|---------|---------------|---------------|-----------------|-------------|----------------|----------------|----------------|-------------|----------------|
| | | NON-EXPANSION | | EXPANSION | | NON-EXPANSION | | EXPANSION | |
| | | Part Number | Description | Part Number | Description | Part Number | Description | Part Number | Description |
| 22208 | 30 | 071000 | ISN 507-030MFR | 071017 | ISN 507-030MLR | 071034 | ISN 507-030MFS | 071051 | ISN 507-030MLS |
| | 35 | 071001 | ISN 508-035MFR | 071018 | ISN 508-035MLR | 071035 | ISN 508-035MFS | 071052 | ISN 508-035MLS |
| 22209 | 40 | 071002 | ISN 509-040MFR | 071019 | ISN 509-040MLR | 071036 | ISN 509-040MFS | 071053 | ISN 509-040MLS |
| 22210 | 45 | 071003 | ISN 510-045MFR | 071020 | ISN 510-045MLR | 071037 | ISN 510-045MFS | 071054 | ISN 510-045MLS |
| | 50 | 071004 | ISN 511-050MFR | 071021 | ISN 511-050MLR | 071038 | ISN 511-050MFS | 071055 | ISN 511-050MLS |
| 22211 | 55 | 071005 | ISN 512-055MFR | 071022 | ISN 512-055MLR | 071039 | ISN 512-055MFS | 071056 | ISN 512-055MLS |
| 22213 | 60 | 071006 | ISN 513-060MFR | 071023 | ISN 513-060MLR | 071040 | ISN 513-060MFS | 071057 | ISN 513-060MLS |
| 22215 | 65 | 071007 | ISN 515-065MFR | 071024 | ISN 515-065MLR | 071041 | ISN 515-065MFS | 071058 | ISN 515-065MLS |
| | 70 | 071008 | ISN 516-070MFR | 071025 | ISN 516-070MLR | 071042 | ISN 516-070MFS | 071059 | ISN 516-070MLS |
| | 75 | 071009 | ISN 517-075MFR | 071026 | ISN 517-075MLR | 071043 | ISN 517-075MFS | 071060 | ISN 517-075MLS |
| 22218 | 80 | 071010 | ISN 518-080MFR | 071027 | ISN 518-080MLR | 071044 | ISN 518-080MFS | 071061 | ISN 518-080MLS |
| | 85 | 071011 | ISN 519-085MFR | 071028 | ISN 519-085MLR | 071045 | ISN 519-085MFS | 071062 | ISN 519-085MLS |
| 22220 | 90 | 071012 | ISN 520-090MFR | 071029 | ISN 520-090MLR | 071046 | ISN 520-090MFS | 071063 | ISN 520-090MLS |
| | 100 | 071013 | ISN 522-100MFR | 071030 | ISN 522-100MLR | 071047 | ISN 522-100MFS | 071064 | ISN 522-100MLS |
| 22222 | 110 | 071014 | ISN 524-110-MFR | 071031 | ISN 524-110MLR | 071048 | ISN 524-110MFS | 071065 | ISN 524-110MLS |
| 22226 | 115 | 071015 | ISN 526-115MFR | 071032 | ISN 526-115MLR | 071049 | ISN 526-115MFS | 071066 | ISN 526-115MLS |
| | 125 | 071016 | ISN 528-125MFR | 071033 | ISN 528-125MLR | 071050 | ISN 528-125MFS | 071067 | ISN 528-125MLS |

F = Non-Expansion, L = Expansion, R = Trident Rubbing Seal; S = Labyrinth Seal

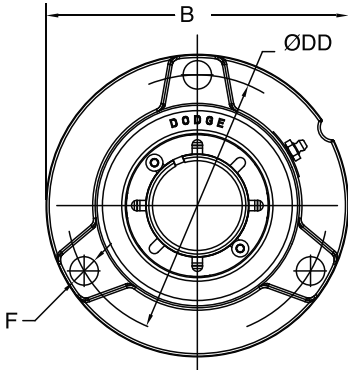
| Shaft Size mm | A | B | C | D | | F BOLT DIA | G | H | J | L | M | R | S | X TOTAL EXPANSION |
|---------------|-------|-------|-------|-------|-------|------------|------|----|-------|-------|-----|------|-------|-------------------|
| | | | | min | max | | | | | | | | | |
| 30 | 66.7 | 184.9 | 52.0 | 145.0 | 155.0 | M12 | 20 | 22 | 100.9 | 67.6 | 50 | 22.6 | 44.1 | 4 |
| 35 | 66.7 | 205.9 | 60.2 | 150.0 | 174.6 | M12 | 27.3 | 25 | 110.8 | 67.6 | 60 | 22.6 | 44.1 | 4 |
| 40 | 71.4 | 206.3 | 60.2 | 155.0 | 174.6 | M12 | 24.8 | 25 | 114 | 74.7 | 60 | 20.6 | 50.8 | 6.5 |
| 45 | 72.6 | 204.9 | 60.2 | 160.0 | 175.0 | M12 | 22.5 | 25 | 113.8 | 81 | 60 | 21.1 | 51.4 | 6.5 |
| 50 | 72.6 | 253.9 | 70.2 | 190.0 | 215.9 | M16 | 31 | 28 | 124.5 | 81 | 70 | 21.1 | 51.4 | 6.5 |
| 55 | 77.0 | 253.9 | 69.9 | 190.0 | 216.0 | M16 | 31 | 30 | 130.3 | 87.1 | 70 | 23.4 | 54.2 | 6.5 |
| 60 | 86.9 | 274.9 | 80.2 | 205.0 | 235.0 | M16 | 33 | 30 | 152.4 | 96.5 | 80 | 27.1 | 59.7 | 7 |
| 65 | 88.9 | 280.1 | 80.1 | 215.0 | 236.0 | M16 | 28.5 | 30 | 156 | 106.7 | 80 | 26.9 | 61.7 | 7 |
| 70 | 88.9 | 315.9 | 90.2 | 244.5 | 268.3 | M20 | 34.1 | 32 | 176 | 106.7 | 95 | 26.9 | 61.7 | 7 |
| 75 | | | | | | | | | | | | | | |
| 80 | 106.0 | 345.3 | 100.3 | 270.0 | 293.7 | M20 | 34 | 35 | 196.7 | 124.7 | 100 | 34.5 | 71.4 | 7 |
| 85 | 106.0 | 345.0 | 100.2 | 264.2 | 296.1 | M20 | 37.9 | 35 | 205.2 | 124.7 | 112 | 34.5 | 71.4 | 7 |
| 90 | 120.0 | 379.8 | 110.2 | 292.8 | 327.0 | M24 | 43.1 | 40 | 218.3 | 138.7 | 112 | 37.2 | 82.3 | 8 |
| 100 | 120.0 | 410.0 | 120.0 | 314.4 | 356.0 | M24 | 46.8 | 45 | 239 | 138.7 | 125 | 37.2 | 82.3 | 8 |
| 110 | 133.0 | 410.0 | 120.0 | 314.5 | 356.0 | M24 | 46.8 | 45 | 260.7 | 161.3 | 140 | 44.4 | 88.4 | 10 |
| 115 | 152.0 | 444.8 | 130.0 | 359.6 | 387.0 | M24 | 41.7 | 50 | 292.8 | 191.8 | 150 | 48.6 | 103.2 | 10 |
| 125 | 152.0 | 500.0 | 150.2 | 400.0 | 427.0 | M30 | 48.5 | 50 | 290.4 | 191.8 | 150 | 48.6 | 103.2 | 10 |

| | | | |
|---------------------------------|--------------------------------------|-------------------------------------|-----------------------------------|
| IMPERIAL FEATURES PAGE B10-3 | IMPERIAL SPECIFICATION PAGE B10-6 | IMPERIAL NOMENCLATURE PAGE B10-9 | IMPERIAL SELECTION PAGE B10-12 |
|---------------------------------|--------------------------------------|-------------------------------------|-----------------------------------|

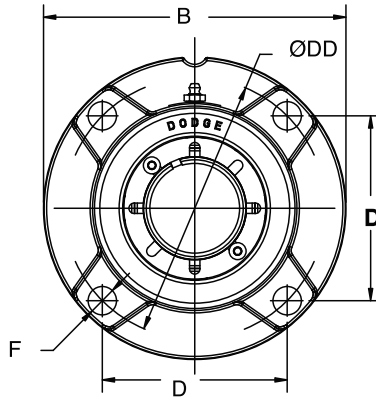
DIMENSION



IMPERIAL - IP Flange - Round 1-1/8 THRU 2 INCH

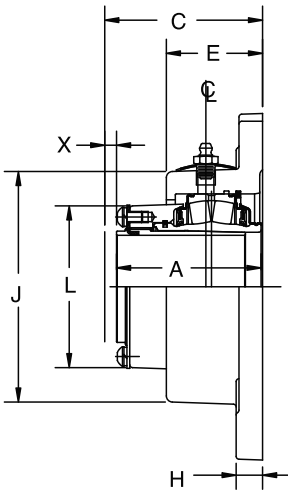


1-1/8 THRU 1-1/2"
CONSTRUCTION

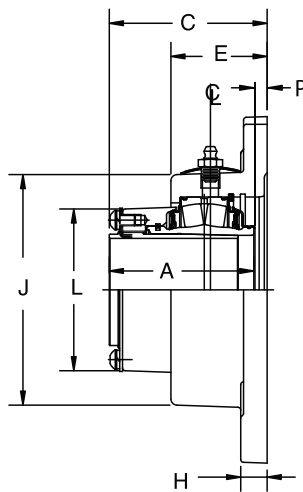


1-5/8 THRU 2"
CONSTRUCTION

NOTE: all sizes use a
1/8-27 NPT hydraulic
grease fitting



EXPANSION



NON-EXPANSION

NOTE: See page B10-38 for 2-3/16 thru 3 inch

| | | | |
|---------------------------------|--------------------------------------|-------------------------------------|-----------------------------------|
| IMPERIAL FEATURES PAGE B10-3 | IMPERIAL SPECIFICATION PAGE B10-6 | IMPERIAL NOMENCLATURE PAGE B10-9 | IMPERIAL SELECTION PAGE B10-12 |
|---------------------------------|--------------------------------------|-------------------------------------|-----------------------------------|



IMPERIAL - IP Flange - Round 1-1/8 THRU 2 INCH

| Bearing | Shaft Size Inch | TRIDENT Seal | | | | Labyrinth Seal | | | |
|---------|-----------------|---------------|-------------|---------------|--------------|----------------|-------------|---------------|--------------|
| | | Non-Expansion | | Expansion | | Non-Expansion | | Expansion | |
| | | Part No. | Part Name | Part No. | Part Name | Part No. | Part Name | Part No. | Part Name |
| 22208 | 1 - 1/8 | 069592 | F3R-IP-102R | 069630 | F3R-IP-102RE | 069651 | F3R-IP-102L | 069672 | F3R-IP-102LE |
| | 1 - 3/16 | 069593 | F3R-IP-103R | 069631 | F3R-IP-103RE | 069652 | F3R-IP-103L | 069673 | F3R-IP-103LE |
| | 1 - 1/4 | 069594 | F3R-IP-104R | 069632 | F3R-IP-104RE | 069653 | F3R-IP-104L | 069674 | F3R-IP-104LE |
| | 1 - 3/8 | 069595 | F3R-IP-106R | 069633 | F3R-IP-106RE | 069654 | F3R-IP-106L | 069675 | F3R-IP-106LE |
| | 1 - 7/16 | 069596 | F3R-IP-107R | 069634 | F3R-IP-107RE | 069655 | F3R-IP-107L | 069676 | F3R-IP-107LE |
| | 1 - 1/2 | 069597 | F3R-IP-108R | 069635 | F3R-IP-108RE | 069656 | F3R-IP-108L | 069677 | F3R-IP-108LE |
| 22209 | 1 - 5/8 | 069598 | F4R-IP-110R | 069636 | F4R-IP-110RE | 069657 | F4R-IP-110L | 069678 | F4R-IP-110LE |
| | 1 - 11/16 | 069599 | F4R-IP-111R | 069637 | F4R-IP-111RE | 069658 | F4R-IP-111L | 069679 | F4R-IP-111LE |
| | 1 - 3/4 | 069600 | F4R-IP-112R | 069638 | F4R-IP-112RE | 069659 | F4R-IP-112L | 069680 | F4R-IP-112LE |
| 22210 | 1 - 7/8 | 069601 | F4R-IP-114R | 069639 | F4R-IP-114RE | 069660 | F4R-IP-114L | 069681 | F4R-IP-114LE |
| | 1 - 15/16 | 069602 | F4R-IP-115R | 069640 | F4R-IP-115RE | 069661 | F4R-IP-115L | 069682 | F4R-IP-115LE |
| | 2 | 069603 | F4R-IP-200R | 069641 | F4R-IP-200RE | 069662 | F4R-IP-200L | 069683 | F4R-IP-200LE |

Metric shaft sizes available upon request

| SHAFT SIZE | A | B | C | D | DD | E | F BOLT DIA. | H | J | L | P | X TOTAL EXP |
|------------|-----------|-----------|-----------|-----------|---------|-----------|-------------|------|---------|-----------|-------|-------------|
| 1 - 1/8 | | | | | | | | | | | | |
| 1 - 3/16 | | | | | | | | | | | | |
| 1 - 1/4 | 2 - 5/8 | 5 - 7/8 | 2 - 55/64 | 3 - 17/32 | 5 | 1 - 51/64 | * 1/2 | 1/2 | 3 - 3/4 | 2 - 23/32 | 15/64 | 3/16 |
| 1 - 3/8 | | | | | | | | | | | | |
| 1 - 7/16 | | | | | | | | | | | | |
| 1 - 1/2 | | | | | | | | | | | | |
| 1 - 5/8 | | | | | | | | | | | | |
| 1 - 11/16 | 2 - 13/16 | 6 - 3/8 | 3 - 7/64 | 3 - 57/64 | 5 - 1/2 | 1 - 57/64 | *1/2 | 1/2 | 4 - 1/4 | 3 | 19/64 | 1/4 |
| 1 - 3/4 | | | | | | | | | | | | |
| 1 - 7/8 | | | | | | | | | | | | |
| 1 - 15/16 | 2 - 55/64 | 6 - 11/16 | 3 - 5/32 | 4 - 1/16 | 5 - 3/4 | 1 - 59/64 | ** 1/2 | 9/16 | 4 - 1/2 | 3 - 9/32 | 19/64 | 1/4 |
| 2 | | | | | | | | | | | | |

* 3 Equally spaced bolt holes

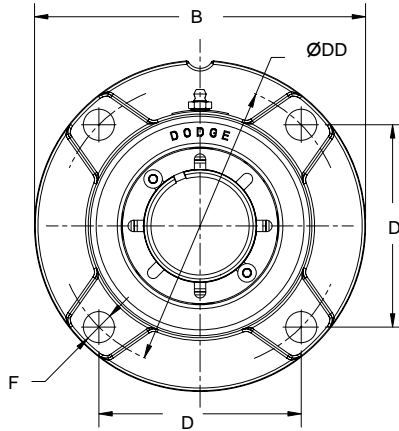
** 4 Equally spaced bolt holes

| | | | |
|---------------------------------|--------------------------------------|-------------------------------------|-----------------------------------|
| IMPERIAL FEATURES PAGE B10-3 | IMPERIAL SPECIFICATION PAGE B10-6 | IMPERIAL NOMENCLATURE PAGE B10-9 | IMPERIAL SELECTION PAGE B10-12 |
|---------------------------------|--------------------------------------|-------------------------------------|-----------------------------------|

DIMENSION

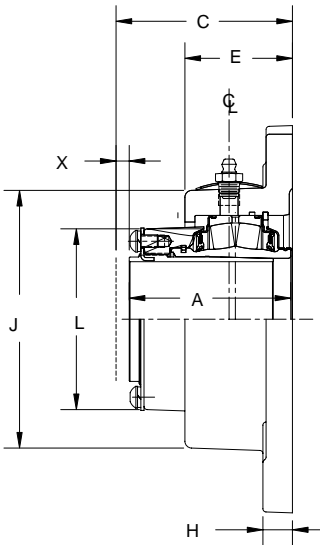


IMPERIAL - IP Flange - Round 2-3/16 THRU 3 INCH

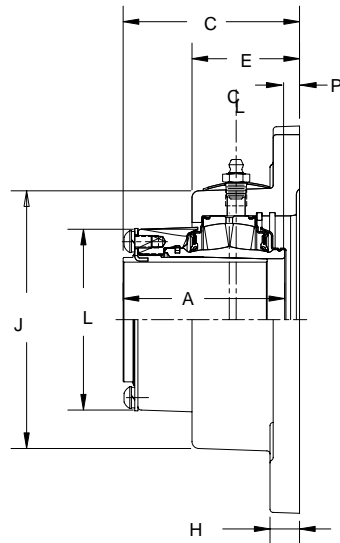


NOTE: All sizes use a 1/8-27 NPT hydraulic grease fitting

2-3/16 THRU 3" CONSTRUCTION



EXPANSION



NON-EXPANSION

NOTE: See page B10-36 for 1-1/8 thru 2 inch

| | | | |
|---------------------------------|--------------------------------------|-------------------------------------|-----------------------------------|
| IMPERIAL FEATURES PAGE B10-3 | IMPERIAL SPECIFICATION PAGE B10-6 | IMPERIAL NOMENCLATURE PAGE B10-9 | IMPERIAL SELECTION PAGE B10-12 |
|---------------------------------|--------------------------------------|-------------------------------------|-----------------------------------|

DIMENSION



IMPERIAL - IP Flange - Round 2-3/16 THRU 3 INCH

| Bearing | Shaft Size Inch | TRIDENT Seal | | | | Labyrinth Seal | | | |
|---------|--------------------|---------------|-------------|---------------|--------------|----------------|-------------|---------------|--------------|
| | | Non-Expansion | | Expansion | | Non-Expansion | | Expansion | |
| | | Part No. | Part Name | Part No. | Part Name | Part No. | Part Name | Part No. | Part Name |
| 22211 | 2 - 3/16 | 069604 | F4R-IP-203R | 069642 | F4R-IP-203RE | 069663 | F4R-IP-203L | 069684 | F4R-IP-203LE |
| | 2 - 1/4 | 069605 | F4R-IP-204R | 069643 | F4R-IP-204RE | 069664 | F4R-IP-204L | 069685 | F4R-IP-204LE |
| 22213 | 2 - 3/8 | 069606 | F4R-IP-206R | 069644 | F4R-IP-206RE | 069665 | F4R-IP-206L | 069686 | F4R-IP-206LE |
| | 2 - 7/16 | 069607 | F4R-IP-207R | 069645 | F4R-IP-207RE | 069666 | F4R-IP-207L | 069687 | F4R-IP-207LE |
| | 2 - 1/2 | 069608 | F4R-IP-208R | 069646 | F4R-IP-208RE | 069667 | F4R-IP-208L | 069688 | F4R-IP-208LE |
| 22215 | 2 - 11/16 | 069609 | F4R-IP-211R | 069647 | F4R-IP-211RE | 069668 | F4R-IP-211L | 069689 | F4R-IP-211LE |
| | 2 - 3/4 | 069610 | F4R-IP-212R | 069648 | F4R-IP-212RE | 069669 | F4R-IP-212L | 069690 | F4R-IP-212LE |
| | 2 - 15/16 | 069611 | F4R-IP-215R | 069649 | F4R-IP-215RE | 069670 | F4R-IP-215L | 069691 | F4R-IP-215LE |
| | 3 | 069612 | F4R-IP-300R | 069650 | F4R-IP-300RE | 069671 | F4R-IP-300L | 069692 | F4R-IP-300LE |

Metric shaft sizes available upon request

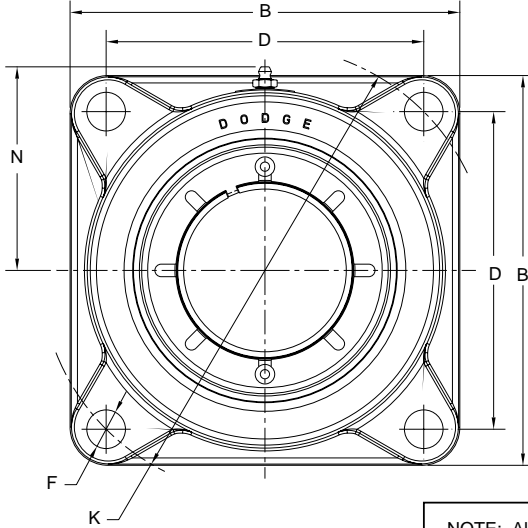
| SHAFT SIZE | A | B | C | D | DD | E | F BOLT DIA. | H | J | L | P | X TOTAL EXP |
|--|-----------|---------|-----------|-----------|---------|-----------|-------------|-------|---------|----------|------|-------------|
| 2 - 3/16 2 - 1/4 | 3 - 1/32 | 7 - 3/8 | 3 - 11/32 | 4 - 1/2 | 6 - 3/8 | 2 - 3/64 | 5/8 | 9/16 | 4 - 7/8 | 3 - 1/2 | 5/16 | 1/4 |
| 2 - 3/8 2 - 7/16 2 - 1/2 | 3 - 27/64 | 7 - 3/4 | 3 - 47/64 | 4 - 49/64 | 6 - 3/4 | 2 - 3/8 | 5/8 | 41/64 | 5 - 3/8 | 3 - 7/8 | 5/16 | 1/4 |
| 2 - 11/16 2 - 3/4 2 - 15/16 3 | 3 - 1/2 | 9 - 1/4 | 3 - 13/16 | 5 - 9/16 | 7 - 7/8 | 2 - 25/64 | 3/4 | 3/4 | 6 - 1/4 | 4 - 9/32 | 5/16 | 1/4 |

| | | | |
|---------------------------------|--------------------------------------|-------------------------------------|-----------------------------------|
| IMPERIAL FEATURES PAGE B10-3 | IMPERIAL SPECIFICATION PAGE B10-6 | IMPERIAL NOMENCLATURE PAGE B10-9 | IMPERIAL SELECTION PAGE B10-12 |
|---------------------------------|--------------------------------------|-------------------------------------|-----------------------------------|

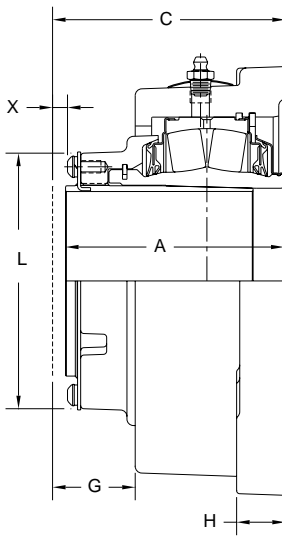
DIMENSION



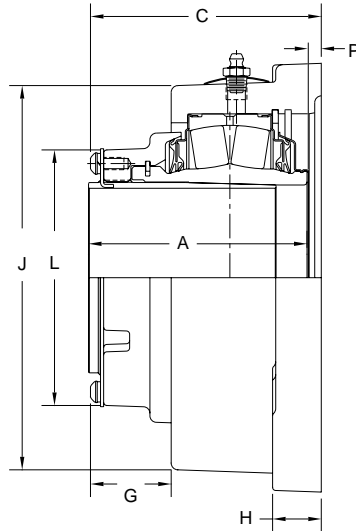
IMPERIAL - IP Flange - Square 1-1/8 THRU 2-1/4 INCH



NOTE: All sizes use a 1/8-27 NPT hydraulic grease fitting



EXPANSION



NON-EXPANSION

NOTE: See page B10-42 for 2-3/8 thru 4 inch

| | | | |
|---|--|---|---|
| <p>IMPERIAL FEATURES PAGE B10-3</p> | <p>IMPERIAL SPECIFICATION PAGE B10-6</p> | <p>IMPERIAL NOMENCLATURE PAGE B10-9</p> | <p>IMPERIAL SELECTION PAGE B10-12</p> |
|---|--|---|---|



IMPERIAL - IP Flange - Square 1-1/8 THRU 2-1/4 INCH

| Bearing | Shaft Size Inch | TRIDENT Seal | | | | Labyrinth Seal | | | |
|---------|-----------------|---------------|-------------|---------------|--------------|----------------|-------------|---------------|--------------|
| | | Non-Expansion | | Expansion | | Non-Expansion | | Expansion | |
| | | Part No. | Part Name | Part No. | Part Name | Part No. | Part Name | Part No. | Part Name |
| 22208 | 1 - 1/8 | 069693 | F4S-IP-102R | 069721 | F4S-IP-102RE | 069749 | F4S-IP-102L | 069777 | F4S-IP-102LE |
| | 1 - 3/16 | 069694 | F4S-IP-103R | 069722 | F4S-IP-103RE | 069750 | F4S-IP-103L | 069778 | F4S-IP-103LE |
| | 1 - 1/4 | 069695 | F4S-IP-104R | 069723 | F4S-IP-104RE | 069751 | F4S-IP-104L | 069779 | F4S-IP-104LE |
| | 1 - 3/8 | 069696 | F4S-IP-106R | 069724 | F4S-IP-106RE | 069752 | F4S-IP-106L | 069780 | F4S-IP-106LE |
| | 1 - 7/16 | 069697 | F4S-IP-107R | 069725 | F4S-IP-107RE | 069753 | F4S-IP-107L | 069781 | F4S-IP-107LE |
| | 1 - 1/2 | 069698 | F4S-IP-108R | 069726 | F4S-IP-108RE | 069754 | F4S-IP-108L | 069782 | F4S-IP-108LE |
| 22209 | 1 - 5/8 | 069699 | F4S-IP-110R | 069727 | F4S-IP-110RE | 069755 | F4S-IP-110L | 069783 | F4S-IP-110LE |
| | 1 - 11/16 | 069700 | F4S-IP-111R | 069728 | F4S-IP-111RE | 069756 | F4S-IP-111L | 069784 | F4S-IP-111LE |
| | 1 - 3/4 | 069701 | F4S-IP-112R | 069729 | F4S-IP-112RE | 069757 | F4S-IP-112L | 069785 | F4S-IP-112LE |
| 22210 | 1 - 7/8 | 069702 | F4S-IP-114R | 069730 | F4S-IP-114RE | 069758 | F4S-IP-114L | 069786 | F4S-IP-114LE |
| | 1 - 15/16 | 069703 | F4S-IP-115R | 069731 | F4S-IP-115RE | 069759 | F4S-IP-115L | 069787 | F4S-IP-115LE |
| | 2 | 069704 | F4S-IP-200R | 069732 | F4S-IP-200RE | 069760 | F4S-IP-200L | 069788 | F4S-IP-200LE |
| 22211 | 2 - 3/16 | 069705 | F4S-IP-203R | 069733 | F4S-IP-203RE | 069761 | F4S-IP-203L | 069789 | F4S-IP-203LE |
| | 2 - 1/4 | 069706 | F4S-IP-204R | 069734 | F4S-IP-204RE | 069762 | F4S-IP-204L | 069790 | F4S-IP-204LE |

Metric shaft sizes available upon request

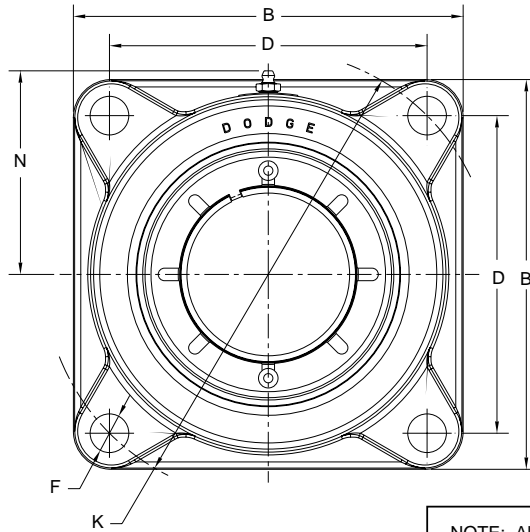
| SHAFT SIZE | A | B | C | D | F BOLT DIA. | G | H | J | K | L | N | P | X TOTAL EXP. |
|------------|-----------|---------|-----------|-----------|-------------|-----------|-----|-----------|---------|-----------|-----------|-------|--------------|
| 1 - 1/8 | | | | | | | | | | | | | |
| 1 - 3/16 | | | | | | | | | | | | | |
| 1 - 1/4 | 2 - 5/8 | 4 - 3/4 | 2 - 55/64 | 3 - 17/32 | 1/2 | 1 - 5/64 | 1/2 | 3 - 13/16 | 5 | 2 - 23/32 | 2 - 31/64 | 15/64 | 3/16 |
| 1 - 3/8 | | | | | | | | | | | | | |
| 1 - 7/16 | | | | | | | | | | | | | |
| 1 - 1/2 | | | | | | | | | | | | | |
| 1 - 5/8 | | | | | | | | | | | | | |
| 1 - 11/16 | | | | | | | | | | | | | |
| 1 - 3/4 | 2 - 13/16 | 5 - 1/8 | 3 - 7/64 | 3 - 57/64 | 1/2 | 1 - 13/64 | 1/2 | 4 - 13/32 | 5 - 1/2 | 3 | 2 - 25/32 | 19/64 | 1/4 |
| 1 - 7/8 | | | | | | | | | | | | | |
| 1 - 15/16 | | | | | | | | | | | | | |
| 2 | | | | | | | | | | | | | |
| 2 - 3/16 | | | | | | | | | | | | | |
| 2 - 1/4 | | | | | | | | | | | | | |
| 2 - 1/4 | | | | | | | | | | | | | |

| | | | |
|---------------------------------|--------------------------------------|-------------------------------------|-----------------------------------|
| IMPERIAL FEATURES PAGE B10-3 | IMPERIAL SPECIFICATION PAGE B10-6 | IMPERIAL NOMENCLATURE PAGE B10-9 | IMPERIAL SELECTION PAGE B10-12 |
|---------------------------------|--------------------------------------|-------------------------------------|-----------------------------------|

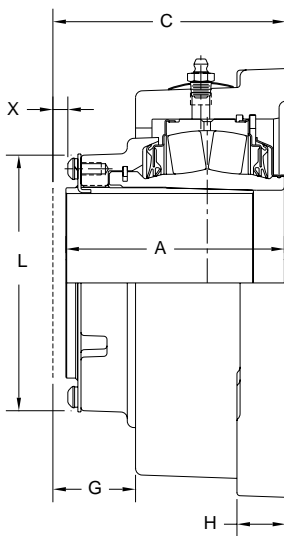
DIMENSION



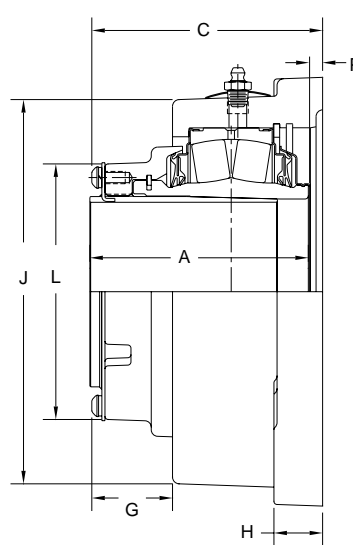
IMPERIAL - IP Flange - Square 2-3/8 THRU 4 INCH



NOTE: All sizes use a 1/8-27 NPT hydraulic grease fitting



EXPANSION



NON-EXPANSION

NOTE: See page B10-40 for 1-1/8 thru 2-1/4 inch

| | | | |
|---------------------------------|--------------------------------------|-------------------------------------|-----------------------------------|
| IMPERIAL FEATURES PAGE B10-3 | IMPERIAL SPECIFICATION PAGE B10-6 | IMPERIAL NOMENCLATURE PAGE B10-9 | IMPERIAL SELECTION PAGE B10-12 |
|---------------------------------|--------------------------------------|-------------------------------------|-----------------------------------|



IMPERIAL - IP Flange - Square 2-3/8 THRU 4 INCH

| Bearing | Shaft Size Inch | TRIDENT Seal | | | | Labyrinth Seal | | | |
|---------|-----------------|---------------|-------------|---------------|--------------|----------------|-------------|---------------|--------------|
| | | Non-Expansion | | Expansion | | Non-Expansion | | Expansion | |
| | | Part No. | Part Name | Part No. | Part Name | Part No. | Part Name | Part No. | Part Name |
| 22213 | 2 - 3/8 | 069707 | F4S-IP-206R | 069735 | F4S-IP-206RE | 069763 | F4S-IP-206L | 069791 | F4S-IP-206LE |
| | 2 - 7/16 | 069708 | F4S-IP-207R | 069736 | F4S-IP-207RE | 069764 | F4S-IP-207L | 069792 | F4S-IP-207LE |
| | 2 - 1/2 | 069709 | F4S-IP-208R | 069737 | F4S-IP-208RE | 069765 | F4S-IP-208L | 069793 | F4S-IP-208LE |
| 22215 | 2 - 11/16 | 069710 | F4S-IP-211R | 069738 | F4S-IP-211RE | 069766 | F4S-IP-211L | 069794 | F4S-IP-211LE |
| | 2 - 3/4 | 069711 | F4S-IP-212R | 069739 | F4S-IP-212RE | 069767 | F4S-IP-212L | 069795 | F4S-IP-212LE |
| | 2 - 15/16 | 069712 | F4S-IP-215R | 069740 | F4S-IP-215RE | 069768 | F4S-IP-215L | 069796 | F4S-IP-215LE |
| | 3 | 069713 | F4S-IP-300R | 069741 | F4S-IP-300RE | 069769 | F4S-IP-300L | 069797 | F4S-IP-300LE |
| 22218 | 3 - 3/16 | 069714 | F4S-IP-303R | 069742 | F4S-IP-303RE | 069770 | F4S-IP-303L | 069798 | F4S-IP-303LE |
| | 3 - 1/4 | 069715 | F4S-IP-304R | 069743 | F4S-IP-304RE | 069771 | F4S-IP-304L | 069799 | F4S-IP-304LE |
| | 3 - 7/16 | 069716 | F4S-IP-307R | 069744 | F4S-IP-307RE | 069772 | F4S-IP-307L | 069800 | F4S-IP-307LE |
| | 3 - 1/2 | 069717 | F4S-IP-308R | 069745 | F4S-IP-308RE | 069773 | F4S-IP-308L | 069801 | F4S-IP-308LE |
| 22220 | 3 - 11/16 | 069718 | F4S-IP-311R | 069746 | F4S-IP-311RE | 069774 | F4S-IP-311L | 069802 | F4S-IP-311LE |
| | 3 - 15/16 | 069719 | F4S-IP-315R | 069747 | F4S-IP-315RE | 069775 | F4S-IP-315L | 069803 | F4S-IP-315LE |
| | 4 | 069720 | F4S-IP-400R | 069748 | F4S-IP-400RE | 069776 | F4S-IP-400L | 069804 | F4S-IP-400LE |

Metric shaft sizes available upon request

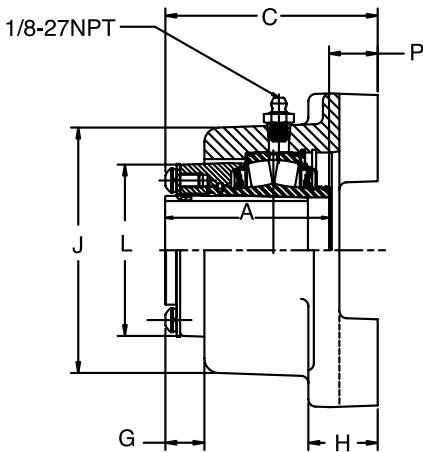
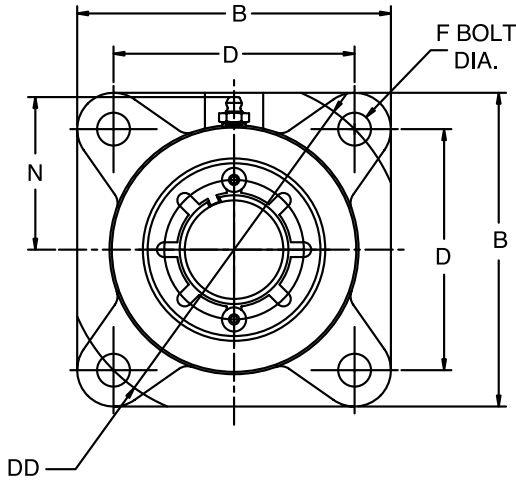
| SHAFT SIZE | A | B | C | D | F BOLT DIA. | G | H | J | K | L | N | P | X TOTAL EXP. |
|------------|-----------|----------|-----------|-----------|-------------|-----------|----------|-----------|----------|----------|-----------|------|--------------|
| 2 - 3/8 | | | | | | | | | | | | | |
| 2 - 7/16 | 3 - 27/64 | 6 - 1/8 | 3 - 47/64 | 4 - 25/32 | 5/8 | 1 - 23/64 | 41/64 | 5 - 5/8 | 6 - 3/4 | 3 - 7/8 | 3 - 13/32 | 5/16 | 1/4 |
| 2 - 1/2 | | | | | | | | | | | | | |
| 2 - 11/16 | | | | | | | | | | | | | |
| 2 - 3/4 | 3 - 1/2 | 7 - 3/16 | 3 - 13/16 | 5 - 9/16 | 3/4 | 1 - 27/64 | 3/4 | 6 - 1/2 | 7 - 7/8 | 4 - 9/32 | 3 - 27/32 | 5/16 | 1/4 |
| 2 - 15/16 | | | | | | | | | | | | | |
| 3 | | | | | | | | | | | | | |
| 3 - 3/16 | | | | | | | | | | | | | |
| 3 - 1/4 | 4 - 11/64 | 8 - 1/4 | 4 - 31/64 | 6 - 23/32 | 3/4 | 1 - 19/32 | 15/16 | 7 - 31/64 | 9 - 1/2 | 5 | 4 - 21/64 | 5/16 | 1/4 |
| 3 - 7/16 | | | | | | | | | | | | | |
| 3 - 1/2 | | | | | | | | | | | | | |
| 3 - 11/16 | | | | | | | | | | | | | |
| 3 - 15/16 | 4 - 45/64 | 9 - 1/4 | 5 - 5/64 | 7 - 39/64 | 7/8 | 1 - 25/32 | 1 - 1/16 | 8 - 7/32 | 10 - 3/4 | 5 - 9/16 | 4 - 45/64 | 3/8 | 5/16 |
| 4 | | | | | | | | | | | | | |

| | | | |
|---------------------------------|--------------------------------------|-------------------------------------|-----------------------------------|
| IMPERIAL FEATURES PAGE B10-3 | IMPERIAL SPECIFICATION PAGE B10-6 | IMPERIAL NOMENCLATURE PAGE B10-9 | IMPERIAL SELECTION PAGE B10-12 |
|---------------------------------|--------------------------------------|-------------------------------------|-----------------------------------|

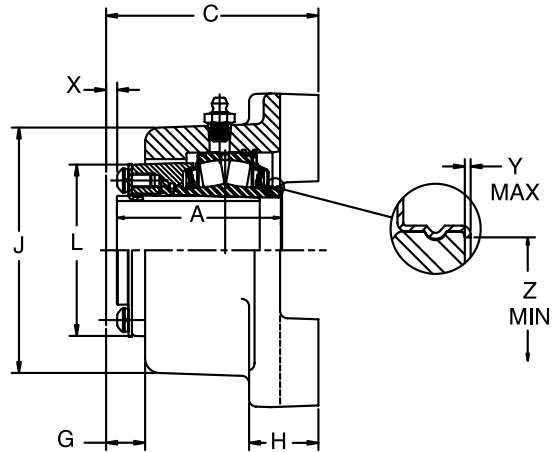
DIMENSION



IMPERIAL - IP Flange - Square with Type E Dimensions 1-3/8 THRU 2-3/16 INCH



NON-EXPANSION



EXPANSION

NOTE: See page B10-46 for 2-1/4 thru 4-1/2 inch

| | | | |
|---|--|---|---|
| <p>IMPERIAL FEATURES PAGE B10-3</p> | <p>IMPERIAL SPECIFICATION PAGE B10-6</p> | <p>IMPERIAL NOMENCLATURE PAGE B10-9</p> | <p>IMPERIAL SELECTION PAGE B10-12</p> |
|---|--|---|---|



IMPERIAL - IP Flange - Square with Type E Dimensions 1-3/8 THRU 2-3/16 INCH

| Bearing Series | Shaft Size* | TRIDENT SEAL | | | | Labyrinth Seal | | | |
|----------------|-------------|---------------|--------------|---------------|---------------|----------------|--------------|---------------|---------------|
| | | Non Expansion | | Expansion | | Non Expansion | | Expansion | |
| | | Part No. | Part Name | Part No. | Part Name | Part No. | Part Name | Part No. | Part Name |
| 22208 | 1-3/8 | 071288 | EF4B-IP-106R | 071313 | EF4B-IP-106RE | 071338 | EF4B-IP-106L | 071364 | EF4B-IP-106LE |
| | 1-7/16 | 071289 | EF4B-IP-107R | 071314 | EF4B-IP-107RE | 071339 | EF4B-IP-107L | 071365 | EF4B-IP-107LE |
| 22209 | 1-1/2 | 071290 | EF4B-IP-108R | 071315 | EF4B-IP-108RE | 071340 | EF4B-IP-108L | 071366 | EF4B-IP-108LE |
| | 1-5/8 | 071291 | EF4B-IP-110R | 071316 | EF4B-IP-110RE | 071341 | EF4B-IP-110L | 071367 | EF4B-IP-110LE |
| | 1-11/16 | 071292 | EF4B-IP-111R | 071317 | EF4B-IP-111RE | 071342 | EF4B-IP-111L | 071368 | EF4B-IP-111LE |
| 22210 | 1-3/4 | 071293 | EF4B-IP-112R | 071318 | EF4B-IP-112RE | 071343 | EF4B-IP-112L | 071369 | EF4B-IP-112LE |
| | 1-7/8 | 071294 | EF4B-IP-114R | 071319 | EF4B-IP-114RE | 071344 | EF4B-IP-114L | 071370 | EF4B-IP-114LE |
| | 1-15/16 | 071295 | EF4B-IP-115R | 071320 | EF4B-IP-115RE | 071345 | EF4B-IP-115L | 071371 | EF4B-IP-115LE |
| | 2 | 071296 | EF4B-IP-200R | 071321 | EF4B-IP-200RE | 071346 | EF4B-IP-200L | 071372 | EF4B-IP-200LE |
| 22211 | 2-3/16 | 071297 | EF4B-IP-203R | 071322 | EF4B-IP-203RE | 071347 | EF4B-IP-203L | 071373 | EF4B-IP-203LE |

*CONSULT DODGE FOR SIZES NOT LISTED

| SHAFT SIZE | A | B# | C# | D | DD | BOLT DIA. | G | H# | J# | L | N | P | X TOTAL EXP. | Y | Z |
|--------------------------------|------|------|------|------|-------|-----------|------|------|------|------|------|------|--------------|-------|------|
| 1-3/8 1-7/16 | 2.63 | 4.63 | 3.15 | 3.50 | 4.950 | 1/2 | 0.66 | 1.06 | 3.88 | 2.72 | 2.34 | 0.53 | 0.16 | 0.020 | 1.80 |
| 1-1/2 1-5/8 1-11/16 | 2.81 | 5.38 | 3.64 | 4.13 | 5.834 | 1/2 | 0.67 | 1.19 | 4.18 | 3.00 | 2.50 | 0.83 | 0.19 | 0.020 | 2.08 |
| 1-3/4 1-7/8 1-15/16 2 | 2.86 | 5.63 | 3.64 | 4.38 | 6.188 | 1/2 | 0.65 | 1.18 | 4.36 | 3.28 | 2.60 | 0.79 | 0.22 | 0.020 | 2.30 |
| 2-3/16 | 3.03 | 6.25 | 3.96 | 4.88 | 6.894 | 5/8 | 0.68 | 1.38 | 4.88 | 3.50 | 2.88 | 0.94 | 0.25 | 0.020 | 2.60 |

NOTE(S): "P" DIMENSION IS FOR NON-EXPANSION ONLY

"A" AND "P" DIMENSIONS DO NOT INCLUDE "Y" DIMENSION

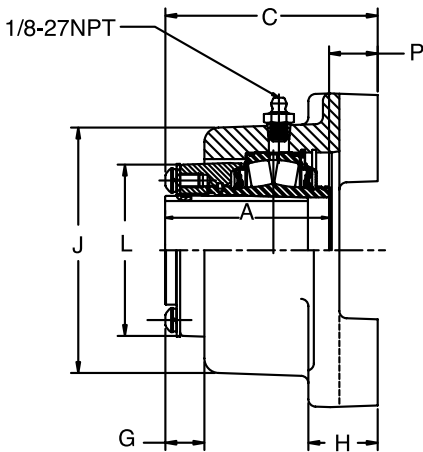
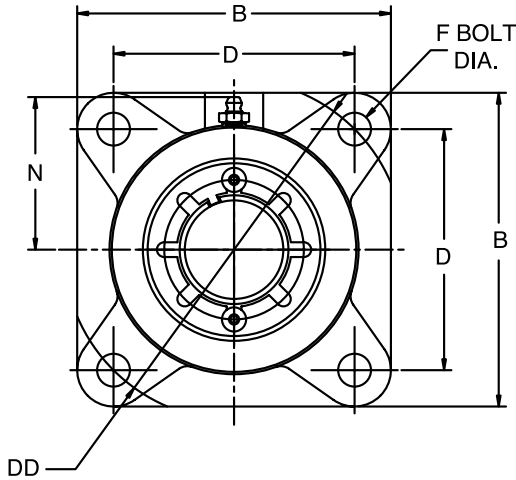
REFERENCE DIMENSION ONLY

| | | | |
|---------------------------------|--------------------------------------|-------------------------------------|-----------------------------------|
| IMPERIAL FEATURES PAGE B10-3 | IMPERIAL SPECIFICATION PAGE B10-6 | IMPERIAL NOMENCLATURE PAGE B10-9 | IMPERIAL SELECTION PAGE B10-12 |
|---------------------------------|--------------------------------------|-------------------------------------|-----------------------------------|

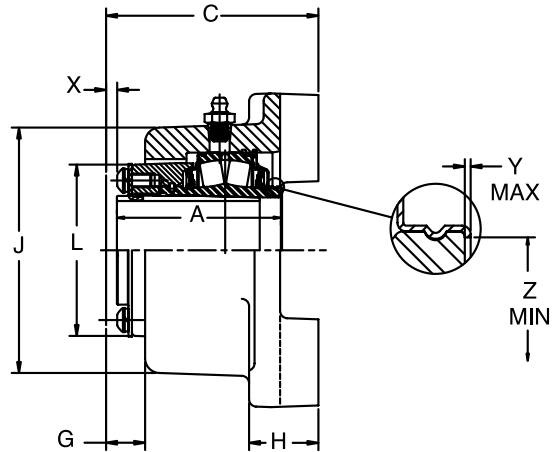
DIMENSION



IMPERIAL - IP Flange - Square with Type E Dimensions 2-1/4 THRU 4-1/2 INCH



NON-EXPANSION



EXPANSION

NOTE: See page B10-44 for 1-3/8 thru 2-3/16 inch

| | | | |
|---|--|---|---|
| <p>IMPERIAL FEATURES PAGE B10-3</p> | <p>IMPERIAL SPECIFICATION PAGE B10-6</p> | <p>IMPERIAL NOMENCLATURE PAGE B10-9</p> | <p>IMPERIAL SELECTION PAGE B10-12</p> |
|---|--|---|---|



IMPERIAL - IP Flange - Square with Type E Dimensions 2-1/4 THRU 4-1/2 INCH

| Bearing Series | Shaft Size* | TRIDENT SEAL | | | | Labyrinth Seal | | | |
|----------------|-------------|---------------|--------------|-----------|---------------|----------------|--------------|-----------|---------------|
| | | Non Expansion | | Expansion | | Non Expansion | | Expansion | |
| | | Part No. | Part Name | Part No. | Part Name | Part No. | Part Name | Part No. | Part Name |
| 22213 | 2-1/4 | 071298 | EF4B-IP-204R | 071323 | EF4B-IP-204RE | 071348 | EF4B-IP-204L | 071374 | EF4B-IP-204LE |
| | 2-7/16 | 071299 | EF4B-IP-207R | 071324 | EF4B-IP-207RE | 071349 | EF4B-IP-207L | 071375 | EF4B-IP-207LE |
| | 2-1/2 | 071300 | EF4B-IP-208R | 071325 | EF4B-IP-208RE | 071350 | EF4B-IP-208L | 071376 | EF4B-IP-208LE |
| 22215 | 2-11/16 | 071301 | EF4B-IP-211R | 071326 | EF4B-IP-211RE | 071351 | EF4B-IP-211L | 071377 | EF4B-IP-211LE |
| | 2-3/4 | 071302 | EF4B-IP-212R | 071327 | EF4B-IP-212RE | 071352 | EF4B-IP-212L | 071378 | EF4B-IP-212LE |
| | 2-15/16 | 071303 | EF4B-IP-215R | 071328 | EF4B-IP-215RE | 071353 | EF4B-IP-215L | 071379 | EF4B-IP-215LE |
| | 3 | 071304 | EF4B-IP-300R | 071329 | EF4B-IP-300RE | 071354 | EF4B-IP-300L | 071380 | EF4B-IP-300LE |
| 22218 | 3-3/16 | 071305 | EF4B-IP-303R | 071330 | EF4B-IP-303RE | 071355 | EF4B-IP-303L | 071381 | EF4B-IP-303LE |
| | 3-1/4 | 071306 | EF4B-IP-304R | 071331 | EF4B-IP-304RE | 071356 | EF4B-IP-304L | 071382 | EF4B-IP-304LE |
| | 3-7/16 | 071307 | EF4B-IP-307R | 071332 | EF4B-IP-307RE | 071357 | EF4B-IP-307L | 071383 | EF4B-IP-307LE |
| | 3-1/2 | 071308 | EF4B-IP-308R | 071333 | EF4B-IP-308RE | 071358 | EF4B-IP-308L | 071384 | EF4B-IP-308LE |
| 22220 | 3-15/16 | 071309 | EF4B-IP-315R | 071334 | EF4B-IP-315RE | 071359 | EF4B-IP-315L | 071385 | EF4B-IP-315LE |
| | 4 | 071310 | EF4B-IP-400R | 071335 | EF4B-IP-400RE | 071360 | EF4B-IP-400L | 071386 | EF4B-IP-400LE |
| 22222 | 4-7/16 | 071311 | EF4B-IP-407R | 071336 | EF4B-IP-407RE | 071361 | EF4B-IP-407L | 071387 | EF4B-IP-407LE |
| | 4-1/2 | 071312 | EF4B-IP-408R | 071337 | EF4B-IP-408RE | 071362 | EF4B-IP-408L | 071388 | EF4B-IP-408LE |

*CONSULT DODGE FOR SIZES NOT LISTED

| SHAFT SIZE* | A | B# | C# | D | DD | F BOLT DIA | G | H# | J# | L | N | P | X TOTAL EXP. | Y | Z |
|-------------|------|-------|------|------|--------|------------|------|------|------|------|------|------|--------------|-------|------|
| 2-1/4 | | | | | | | | | | | | | | | |
| 2-7/16 | 3.42 | 6.88 | 4.41 | 5.37 | 7.601 | 5/8 | 1.04 | 1.50 | 5.81 | 3.88 | 3.32 | 0.99 | 0.25 | 0.025 | 2.95 |
| 2-1/2 | | | | | | | | | | | | | | | |
| 2-11/16 | | | | | | | | | | | | | | | |
| 2-3/4 | 3.50 | 7.75 | 4.59 | 6.00 | 8.485 | 3/4 | 0.79 | 1.61 | 6.30 | 4.28 | 3.58 | 1.1 | 0.25 | 0.025 | 3.47 |
| 2-15/16 | | | | | | | | | | | | | | | |
| 3 | | | | | | | | | | | | | | | |
| 3-3/16 | | | | | | | | | | | | | | | |
| 3-1/4 | 4.17 | 9.25 | 5.4 | 7.00 | 9.899 | 3/4 | 1.12 | 1.88 | 7.44 | 5 | 4.15 | 1.24 | 0.25 | 0.025 | 4.05 |
| 3-7/16 | | | | | | | | | | | | | | | |
| 3-1/2 | | | | | | | | | | | | | | | |
| 3-15/16 | 4.70 | 10.25 | 6.73 | 7.75 | 10.960 | 7/8 | 1.22 | 2.12 | 8.27 | 5.56 | 4.58 | 2.02 | 0.31 | 0.025 | 4.5 |
| 4 | | | | | | | | | | | | | | | |
| 4-7/16 | 5.23 | 10.88 | 7.12 | 8.75 | 12.374 | 7/8 | 1.42 | 2.43 | 9.13 | 6.44 | 5.01 | 1.89 | 0.38 | 0.036 | 5 |
| 4-1/2 | | | | | | | | | | | | | | | |

NOTE(S): "P" DIMENSION IS FOR NON-EXPANSION ONLY

"A" AND "P" DIMENSIONS DO NOT INCLUDE "Y" DIMENSION

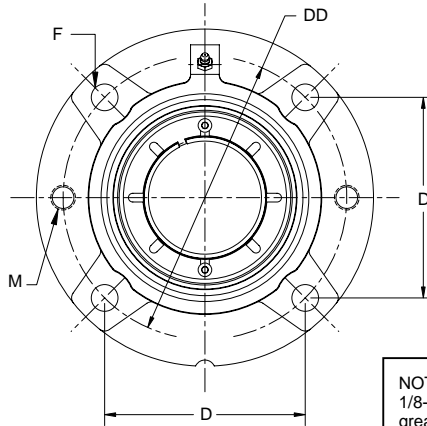
REFERENCE DIMENSION ONLY

| | | | |
|---------------------------------|--------------------------------------|-------------------------------------|-----------------------------------|
| IMPERIAL FEATURES PAGE B10-3 | IMPERIAL SPECIFICATION PAGE B10-6 | IMPERIAL NOMENCLATURE PAGE B10-9 | IMPERIAL SELECTION PAGE B10-12 |
|---------------------------------|--------------------------------------|-------------------------------------|-----------------------------------|

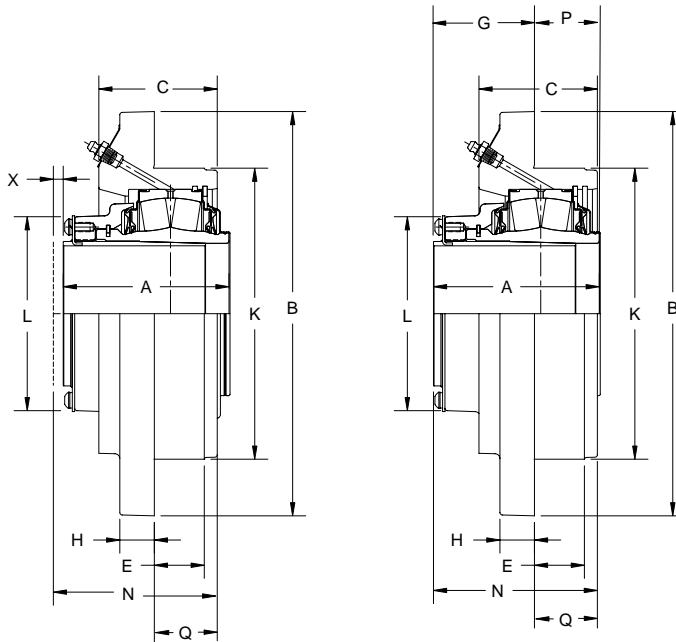
DIMENSION



IMPERIAL - IP Piloted Flange 1-1/8 THRU 2-1/2 INCH



NOTE: All sizes use a 1/8-27 NPT hydraulic grease fitting



EXPANSION

NON-EXPANSION

NOTE: See page B10-50 for 2-11/16 thru 5 inch

| | | | |
|---------------------------------|--------------------------------------|-------------------------------------|-----------------------------------|
| IMPERIAL FEATURES PAGE B10-3 | IMPERIAL SPECIFICATION PAGE B10-6 | IMPERIAL NOMENCLATURE PAGE B10-9 | IMPERIAL SELECTION PAGE B10-12 |
|---------------------------------|--------------------------------------|-------------------------------------|-----------------------------------|



IMPERIAL - IP Piloted Flange 1-1/8 THRU 2-1/2 INCH

| Bearing | Shaft Size Inch | TRIDENT Seal | | | | Labyrinth Seal | | | |
|---------|-----------------|---------------|------------|-----------|-------------|----------------|------------|-----------|-------------|
| | | Non-Expansion | | Expansion | | Non-Expansion | | Expansion | |
| | | Part No. | Part Name | Part No. | Part Name | Part No. | Part Name | Part No. | Part Name |
| 22208 | 1 - 1/8 | 069805 | FC-IP-102R | 069837 | FC-IP-102RE | 069869 | FC-IP-102L | 069901 | FC-IP-102LE |
| | 1 - 3/16 | 069806 | FC-IP-103R | 069838 | FC-IP-103RE | 069870 | FC-IP-103L | 069902 | FC-IP-103LE |
| | 1 - 1/4 | 069807 | FC-IP-104R | 069839 | FC-IP-104RE | 069871 | FC-IP-104L | 069903 | FC-IP-104LE |
| | 1 - 3/8 | 069808 | FC-IP-106R | 069840 | FC-IP-106RE | 069872 | FC-IP-106L | 069904 | FC-IP-106LE |
| | 1 - 7/16 | 069809 | FC-IP-107R | 069841 | FC-IP-107RE | 069873 | FC-IP-107L | 069905 | FC-IP-107LE |
| | 1 - 1/2 | 069810 | FC-IP-108R | 069842 | FC-IP-108RE | 069874 | FC-IP-108L | 069906 | FC-IP-108LE |
| 22209 | 1 - 5/8 | 069811 | FC-IP-110R | 069843 | FC-IP-110RE | 069875 | FC-IP-110L | 069907 | FC-IP-110LE |
| | 1 - 11/16 | 069812 | FC-IP-111R | 069844 | FC-IP-111RE | 069876 | FC-IP-111L | 069908 | FC-IP-111LE |
| | 1 - 3/4 | 069813 | FC-IP-112R | 069845 | FC-IP-112RE | 069877 | FC-IP-112L | 069909 | FC-IP-112LE |
| 22210 | 1 - 7/8 | 069814 | FC-IP-114R | 069846 | FC-IP-114RE | 069878 | FC-IP-114L | 069910 | FC-IP-114LE |
| | 1 - 15/16 | 069815 | FC-IP-115R | 069847 | FC-IP-115RE | 069879 | FC-IP-115L | 069911 | FC-IP-115LE |
| | 2 | 069816 | FC-IP-200R | 069848 | FC-IP-200RE | 069880 | FC-IP-200L | 069912 | FC-IP-200LE |
| 22211 | 2 - 3/16 | 069817 | FC-IP-203R | 069849 | FC-IP-203RE | 069881 | FC-IP-203L | 069913 | FC-IP-203LE |
| | 2 - 1/4 | 069818 | FC-IP-204R | 069850 | FC-IP-204RE | 069882 | FC-IP-204L | 069914 | FC-IP-204LE |
| 22213 | 2 - 3/8 | 069819 | FC-IP-206R | 069851 | FC-IP-206RE | 069883 | FC-IP-206L | 069915 | FC-IP-206LE |
| | 2 - 7/16 | 069820 | FC-IP-207R | 069852 | FC-IP-207RE | 069884 | FC-IP-207L | 069916 | FC-IP-207LE |
| | 2 - 1/2 | 069821 | FC-IP-208R | 069853 | FC-IP-208RE | 069885 | FC-IP-208L | 069917 | FC-IP-208LE |

Metric shaft sizes available upon request

| SHAFT SIZE | A | B | C | D | DD | E | F BOLT DIA. | G | H | K* | L | M | N | P | Q | X TOTAL EXP |
|------------|---------|-------|---------|---------|-------|-----|-------------|---------|------|-------|---------|---------|---------|---------|---------|-------------|
| 1 - 1/8 | | | | | | | | | | | | | | | | |
| 1 - 3/16 | | | | | | | | | | | | | | | | |
| 1 - 1/4 | 2-5/8 | 5-1/4 | 1-27/32 | 3-3/32 | 4-3/8 | 3/4 | 3/8 | 1-25/64 | 1/2 | 3.625 | 2-23/32 | 3/8-16 | 2-39/64 | 1-15/64 | 1-7/32 | 3/16 |
| 1 - 3/8 | | | | | | | | | | | | | | | | |
| 1 - 7/16 | | | | | | | | | | | | | | | | |
| 1 - 1/2 | | | | | | | | | | | | | | | | |
| 1 - 5/8 | | | | | | | | | | | | | | | | |
| 1 - 11/16 | 2-13/16 | 6-1/8 | 1-29/32 | 3-5/8 | 5-1/8 | 7/8 | 7/16 | 1-39/64 | 1/2 | 4.250 | 3 | 7/16-14 | 2-55/64 | 1-13/64 | 1-17/64 | 1/4 |
| 1 - 3/4 | | | | | | | | | | | | | | | | |
| 1 - 7/8 | | | | | | | | | | | | | | | | |
| 1 - 15/16 | 2-55/64 | 6 3/8 | 2 | 3-51/64 | 5-3/8 | 7/8 | 7/16 | 1-19/32 | 9/16 | 4.500 | 3-9/32 | 7/16-14 | 2-55/64 | 1-17/64 | 1-17/64 | 1/4 |
| 2 | | | | | | | | | | | | | | | | |
| 2 - 3/16 | | | | | | | | | | | | | | | | |
| 2 - 1/4 | 3-1/32 | 7-1/8 | 2-3/16 | 4-1/4 | 6 | 1 | 1/2 | 1-21/32 | 9/16 | 5.000 | 3-1/2 | 1/2-13 | 3-5/64 | 1-3/8 | 1-27/64 | 1/4 |
| 2 - 3/8 | | | | | | | | | | | | | | | | |
| 2 - 7/16 | 3-27/64 | 7 5/8 | 2-1/2 | 4-19/32 | 6-1/2 | 1 | 1/2 | 1-7/8 | 5/8 | 5.500 | 3-7/8 | 1/2-13 | 3-7/16 | 1-35/64 | 1-9/16 | 1/4 |
| 2 - 1/2 | | | | | | | | | | | | | | | | |

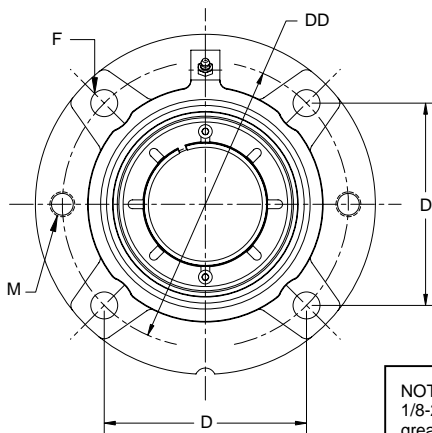
* = +0.000, -0.002"

| | | | |
|---------------------------------|--------------------------------------|-------------------------------------|-----------------------------------|
| IMPERIAL FEATURES PAGE B10-3 | IMPERIAL SPECIFICATION PAGE B10-6 | IMPERIAL NOMENCLATURE PAGE B10-9 | IMPERIAL SELECTION PAGE B10-12 |
|---------------------------------|--------------------------------------|-------------------------------------|-----------------------------------|

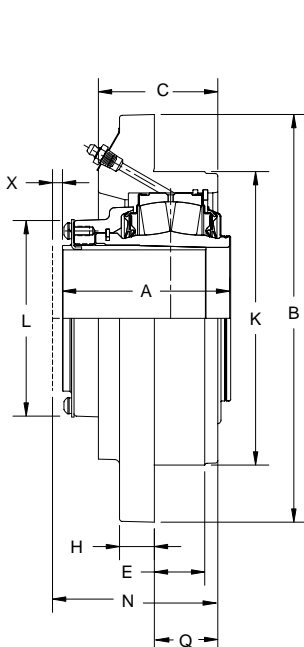
DIMENSION



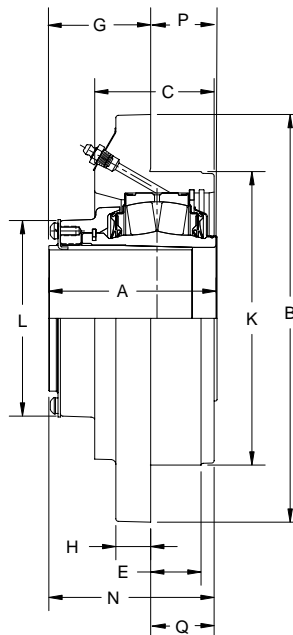
IMPERIAL - IP Piloted Flange 2-11/16 THRU 5 INCH



NOTE: All sizes use a 1/8-27 NPT hydraulic grease fitting



EXPANSION



NON-EXPANSION

NOTE: See page B10-48 for 1-1/8 thru 2-1/2 inch

| | | | |
|---------------------------------|--------------------------------------|-------------------------------------|-----------------------------------|
| IMPERIAL FEATURES PAGE B10-3 | IMPERIAL SPECIFICATION PAGE B10-6 | IMPERIAL NOMENCLATURE PAGE B10-9 | IMPERIAL SELECTION PAGE B10-12 |
|---------------------------------|--------------------------------------|-------------------------------------|-----------------------------------|



IMPERIAL - IP Piloted Flange 2-11/16 THRU 5 INCH

| Bearing | Shaft Size Inch | TRIDENT Seal | | | | Labyrinth Seal | | | |
|---------|-----------------|---------------|------------|---------------|-------------|----------------|------------|---------------|-------------|
| | | Non-Expansion | | Expansion | | Non-Expansion | | Expansion | |
| | | Part No. | Part Name | Part No. | Part Name | Part No. | Part Name | Part No. | Part Name |
| 22215 | 2-11/16 | 069822 | FC-IP-211R | 069854 | FC-IP-211RE | 069886 | FC-IP-211L | 069918 | FC-IP-211LE |
| | 2-3/4 | 069823 | FC-IP-212R | 069855 | FC-IP-212RE | 069887 | FC-IP-212L | 069919 | FC-IP-212LE |
| | 2-15/16 | 069824 | FC-IP-215R | 069856 | FC-IP-215RE | 069888 | FC-IP-215L | 069920 | FC-IP-215LE |
| | 3 | 069825 | FC-IP-300R | 069857 | FC-IP-300RE | 069889 | FC-IP-300L | 069921 | FC-IP-300LE |
| 22218 | 3-3/16 | 069826 | FC-IP-303R | 069858 | FC-IP-303RE | 069890 | FC-IP-303L | 069922 | FC-IP-303LE |
| | 3-1/4 | 069827 | FC-IP-304R | 069859 | FC-IP-304RE | 069891 | FC-IP-304L | 069923 | FC-IP-304LE |
| | 3-7/16 | 069828 | FC-IP-307R | 069860 | FC-IP-307RE | 069892 | FC-IP-307L | 069924 | FC-IP-307LE |
| | 3-1/2 | 069829 | FC-IP-308R | 069861 | FC-IP-308RE | 069893 | FC-IP-308L | 069925 | FC-IP-308LE |
| 22220 | 3-11/16 | 069830 | FC-IP-311R | 069862 | FC-IP-311RE | 069894 | FC-IP-311L | 069926 | FC-IP-311LE |
| | 3-15/16 | 069831 | FC-IP-315R | 069863 | FC-IP-315RE | 069895 | FC-IP-315L | 069927 | FC-IP-315LE |
| | 4 | 069832 | FC-IP-400R | 069864 | FC-IP-400RE | 069896 | FC-IP-400L | 069928 | FC-IP-400LE |
| 22222 | 4-7/16 | 069833 | FC-IP-407R | 069865 | FC-IP-407RE | 069897 | FC-IP-407L | 069929 | FC-IP-407LE |
| | 4-1/2 | 069834 | FC-IP-408R | 069866 | FC-IP-408RE | 069898 | FC-IP-408L | 069930 | FC-IP-408LE |
| 22226 | 4-15/16 | 069835 | FC-IP-415R | 069867 | FC-IP-415RE | 069899 | FC-IP-415L | 069931 | FC-IP-415LE |
| | 5 | 069836 | FC-IP-500R | 069868 | FC-IP-500RE | 069900 | FC-IP-500L | 069932 | FC-IP-500LE |

Metric shaft sizes available upon request

| SHAFT SIZE | A | B | C | D | DD | E | F BOLT DIA. | G | H | K* | L | M | N | P | Q | X TOTAL EXP |
|------------------------------------|---------|--------|-------|---------|--------|---------|-------------|---------|-------|--------|--------|----------|---------|---------|---------|-------------|
| 2-11/16 2-3/4 2-15/16 3 | 3-1/2 | 8-3/4 | 2-5/8 | 5-19/64 | 7-1/2 | 1-1/4 | 5/8 | 1-15/16 | 3/4 | 6.375 | 4-9/32 | 5/8 - 11 | 3-9/16 | 1-9/16 | 1-5/8 | 1/4 |
| 3-3/16 3-1/4 3-7/16 3-1/2 | 4-11/64 | 10 1/4 | 3 | 6-3/32 | 8-5/8 | 1-17/64 | 3/4 | 2-17/32 | 15/16 | 7.375 | 5 | 3/4 - 10 | 4-1/16 | 1-41/64 | 1-33/64 | 1/4 |
| 3-11/16 3-15/16 4 | 4-45/64 | 10-7/8 | 3-1/2 | 6-5/8 | 9-3/8 | 1-15/32 | 3/4 | 2-57/64 | 1-1/8 | 8.125 | 5-9/16 | 3/4 - 10 | 4-25/32 | 1-13/16 | 1-29/32 | 5/16 |
| 4-7/16 4 1/2 | 5-15/64 | 13-1/2 | 4 | 5-7/8 | 11-3/4 | 1-29/64 | 3/4** | 3-9/16 | 1 | 10.250 | 6-7/16 | 3/4 - 10 | 5-35/64 | 1-43/64 | 1-63/64 | 3/8 |
| 4-15/16 5 | 5-63/64 | 14-3/4 | 4-3/8 | 6-3/8 | 12-3/4 | 1-45/64 | 7/8** | 3-55/64 | 1-1/4 | 11.000 | 7-5/8 | 3/4 - 10 | 6-9/32 | 2-1/8 | 2-27/64 | 3/8 |

* +0.000", -0.002"

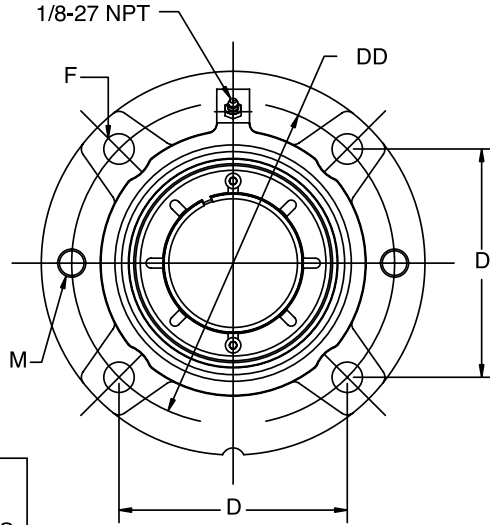
** 6 equally spaced mounting holes

| | | | |
|---------------------------------|--------------------------------------|-------------------------------------|-----------------------------------|
| IMPERIAL FEATURES PAGE B10-3 | IMPERIAL SPECIFICATION PAGE B10-6 | IMPERIAL NOMENCLATURE PAGE B10-9 | IMPERIAL SELECTION PAGE B10-12 |
|---------------------------------|--------------------------------------|-------------------------------------|-----------------------------------|

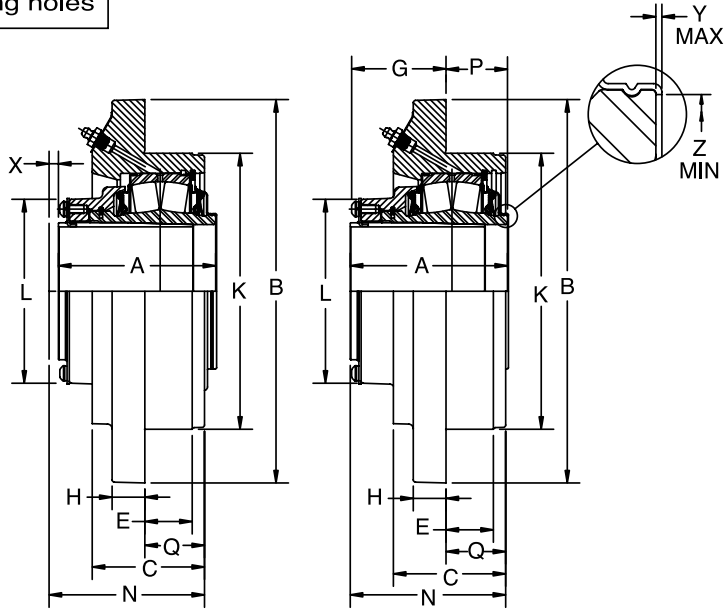
DIMENSION



IMPERIAL - IP Piloted Flange with Type E Dimensions



Note: 4-7/16 thru 4-15/16 sizes have 6 evenly spaced mounting holes



EXPANSION

NON-EXPANSION

| | | | |
|---|--|---|---|
| <p>IMPERIAL FEATURES PAGE B10-3</p> | <p>IMPERIAL SPECIFICATION PAGE B10-6</p> | <p>IMPERIAL NOMENCLATURE PAGE B10-9</p> | <p>IMPERIAL SELECTION PAGE B10-12</p> |
|---|--|---|---|



IMPERIAL - IP Piloted Flange with Type E Dimensions

| Bearing Series | Shaft Size* | TRIDENT SEAL | | | | Labyrinth Seal | | | |
|----------------|-------------|---------------|-------------|---------------|--------------|----------------|-------------|---------------|--------------|
| | | Non Expansion | | Expansion | | Non Expansion | | Expansion | |
| | | Part No. | Part Name | Part No. | Part Name | Part No. | Part Name | Part No. | Part Name |
| 22208 | 1-3/8 | 069808 | FC-IP-106R | 069840 | FC-IP-106RE | 069872 | FC-IP-106L | 069904 | FC-IP-106LE |
| | 1-7/16 | 069809 | FC-IP-107R | 069841 | FC-IP-107RE | 069873 | FC-IP-107L | 069905 | FC-IP-107LE |
| 22209 | 1-1/2 | 071576 | EFC-IP-108R | 071579 | EFC-IP-108RE | 071582 | EFC-IP-108L | 071585 | EFC-IP-108LE |
| | 1-5/8 | 069811 | FC-IP-110R | 069843 | FC-IP-110RE | 069875 | FC-IP-110L | 069907 | EC-IP-110LE |
| | 1-11/16 | 069812 | FC-IP-111R | 069844 | FC-IP-111RE | 069876 | FC-IP-111L | 069908 | EC-IP-111LE |
| 22210 | 1-3/4 | 071577 | EFC-IP-112R | 071580 | EFC-IP-112RE | 071583 | EFC-IP-112L | 071586 | EFC-IP-112LE |
| | 1-7/8 | 069814 | FC-IP-114R | 069846 | FC-IP-114RE | 069878 | FC-IP-114L | 069910 | FC-IP-114LE |
| | 1-15/16 | 069815 | FC-IP-115R | 069847 | FC-IP-115RE | 069879 | FC-IP-115L | 069911 | FC-IP-115LE |
| | 2 | 069816 | FC-IP-200R | 069848 | FC-IP-200RE | 069880 | FC-IP-200L | 069912 | FC-IP-200LE |
| 22211 | 2-3/16 | 069817 | FC-IP-203R | 069849 | FC-IP-203RE | 069881 | FC-IP-203L | 069913 | FC-IP-203LE |
| 22213 | 2-1/4 | 071578 | EFC-IP-204R | 071581 | EFC-IP-204RE | 071584 | EFC-IP-204L | 071587 | EFC-IP-204LE |
| | 2-7/16 | 069820 | FC-IP-207R | 069852 | FC-IP-207RE | 069884 | FC-IP-207L | 069916 | FC-IP-207LE |
| | 2-1/2 | 069821 | FC-IP-208R | 069853 | FC-IP-208RE | 069885 | FC-IP-208L | 069917 | FC-IP-208LE |

*CONSULT DODGE FOR SIZES NOT LISTED

| SHAFT SIZE | A | B # | C # | D | DD | E # | F BOLT DIA. | G | H # | K ## | L | M | N | P | Q # | X TOTAL EXP. | Y | Z |
|--------------------------------|------|------|------|------|-------|------|-------------|------|------|-------|------|---------|------|------|------|--------------|-------|------|
| 1-3/8 1-7/16 | 2.63 | 5.25 | 1.84 | 3.09 | 4.375 | 0.75 | 3/8 | 1.39 | 0.50 | 3.625 | 2.72 | 3/8-16 | 2.61 | 1.23 | 1.22 | 0.19 | 0.020 | 1.80 |
| 1-1/2 1-5/8 1-11/16 | 2.81 | 6.13 | 1.91 | 3.63 | 5.125 | 0.88 | 7/16 | 1.61 | 0.50 | 4.250 | 3.00 | 7/16-14 | 2.86 | 1.20 | 1.26 | 0.25 | 0.020 | 2.08 |
| 1-3/4 1-7/8 1-15/16 2 | 2.86 | 6.38 | 2.00 | 3.80 | 5.375 | 0.88 | 7/16 | 1.59 | 0.56 | 4.500 | 3.28 | 7/16-14 | 2.86 | 1.26 | 1.26 | 0.25 | 0.020 | 2.30 |
| 2-3/16 2-1/4 | 3.03 | 7.13 | 2.19 | 4.25 | 6.000 | 1.00 | 1/2 | 1.66 | 0.56 | 5.000 | 3.50 | 1/2-13 | 3.08 | 1.38 | 1.42 | 0.25 | 0.025 | 2.59 |
| 2-7/16 2-1/2 | 3.42 | 7.63 | 2.50 | 4.59 | 6.500 | 1.00 | 1/2 | 1.88 | 0.63 | 5.500 | 3.88 | 1/2-13 | 3.44 | 1.55 | 1.56 | 0.25 | 0.025 | 2.94 |

- +0.000

-0.002

- REFERENCE DIMENSION ONLY

NOTE(S): "P" AND "G" DIMENSIONS ARE FOR NON-EXPANSION ONLY

"A" AND "P" DIMENSIONS DO NOT INCLUDE "Y" DIMENSION

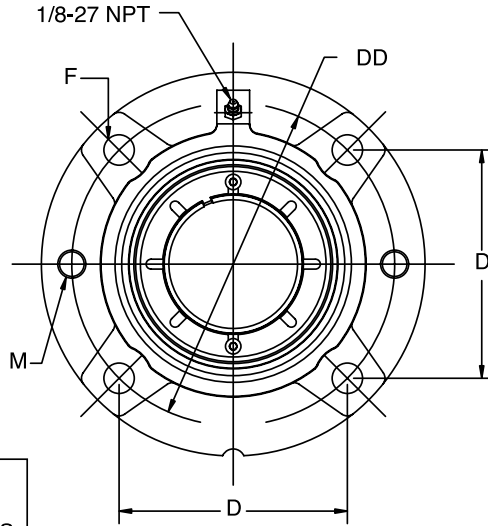
** 4-7/16 THRU 5" HAVE (6) EQUALLY SPACED MOUNTING HOLES

| | | | |
|---------------------------------|--------------------------------------|-------------------------------------|-----------------------------------|
| IMPERIAL FEATURES PAGE B10-3 | IMPERIAL SPECIFICATION PAGE B10-6 | IMPERIAL NOMENCLATURE PAGE B10-9 | IMPERIAL SELECTION PAGE B10-12 |
|---------------------------------|--------------------------------------|-------------------------------------|-----------------------------------|

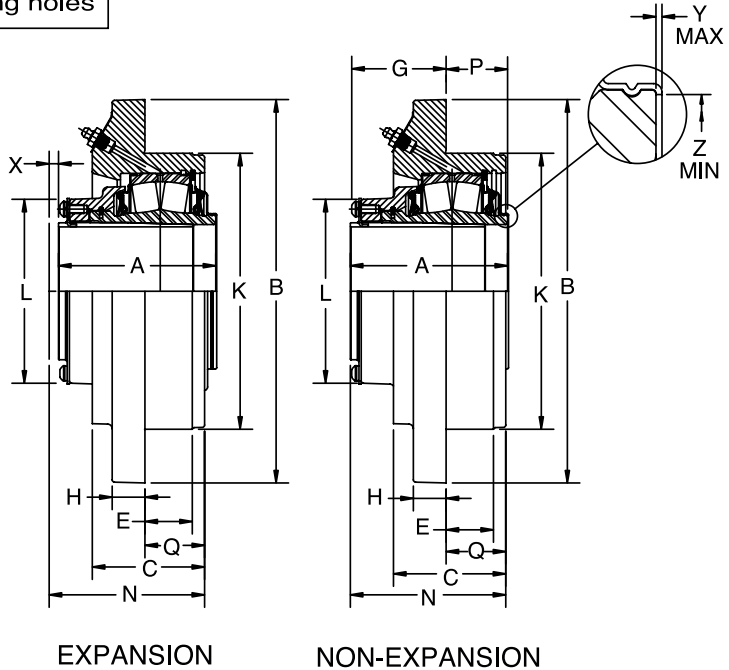
DIMENSION



IMPERIAL - IP Piloted Flange with Type E Dimension



Note: 4-7/16 thru 4-15/16 sizes have 6 evenly spaced mounting holes



| | | | |
|---|--|---|---|
| <p>IMPERIAL FEATURES PAGE B10-3</p> | <p>IMPERIAL SPECIFICATION PAGE B10-6</p> | <p>IMPERIAL NOMENCLATURE PAGE B10-9</p> | <p>IMPERIAL SELECTION PAGE B10-12</p> |
|---|--|---|---|



IMPERIAL - IP Piloted Flange with Type E Dimension

| Bearing Series | Shaft Size* | TRIDENT SEAL | | | | Labyrinth Seal | | | |
|----------------|-------------|---------------|-------------|-----------|--------------|----------------|-------------|-----------|--------------|
| | | Non Expansion | | Expansion | | Non Expansion | | Expansion | |
| | | Part No. | Part Name | Part No. | Part Name | Part No. | Part Name | Part No. | Part Name |
| 22215 | 2-11/16 | 069822 | FC-IP-211R | 069854 | FC-IP-211RE | 069886 | FC-IP-211L | 069918 | FC-IP-211LE |
| | 2-3/4 | 069823 | FC-IP-212R | 069855 | FC-IP-212RE | 069887 | FC-IP-212L | 069919 | FC-IP-212LE |
| | 2-15/16 | 069824 | FC-IP-215R | 069856 | FC-IP-215RE | 069888 | FC-IP-215L | 069920 | FC-IP-215LE |
| | 3 | 069825 | FC-IP-300R | 069857 | FC-IP-300RE | 069889 | FC-IP-300L | 069921 | FC-IP-300LE |
| 22218 | 3-3/16 | 069826 | FC-IP-303R | 069858 | FC-IP-303RE | 069890 | FC-IP-303L | 069922 | FC-IP-303LE |
| | 3-1/4 | 069827 | FC-IP-304R | 069859 | FC-IP-304RE | 069891 | FC-IP-304L | 069923 | FC-IP-304LE |
| | 3-7/16 | 069828 | FC-IP-307R | 069860 | FC-IP-307RE | 069892 | FC-IP-307L | 069924 | FC-IP-307LE |
| | 3-1/2 | 069829 | FC-IP-308R | 069861 | FC-IP-308RE | 069893 | FC-IP-308L | 069925 | FC-IP-308LE |
| 22220 | 3-15/16 | 069831 | FC-IP-315R | 069863 | FC-IP-315RE | 069895 | FC-IP-315L | 069927 | FC-IP-315LE |
| | 4 | 069832 | FC-IP-400R | 069864 | FC-IP-400RE | 069896 | FC-IP-400L | 069928 | FC-IP-400LE |
| 22222 | 4-7/16 | 071272 | EFC-IP-407R | 071276 | EFC-IP-407RE | 071280 | EFC-IP-407L | 071284 | EFC-IP-407LE |
| | 4-1/2 | 071273 | EFC-IP-408R | 071277 | EFC-IP-408RE | 071281 | EFC-IP-408L | 071285 | EFC-IP-408LE |
| 22226 | 4-15/16 | 071274 | EFC-IP-415R | 071278 | EFC-IP-415RE | 071282 | EFC-IP-415L | 071286 | EFC-IP-415LE |
| | 5 | 071275 | EFC-IP-500R | 071279 | EFC-IP-500RE | 071283 | EFC-IP-500L | 071287 | EFC-IP-500LE |

*CONSULT DODGE FOR SIZES NOT LISTED

| SHAFT SIZE | A | B # | C # | D | DD | E # | F BOLT DIA. | G | H # | K ## | L | M | N | P | Q # | X TOTAL EXP. | Y | Z |
|------------------------------------|------|-------|------|------|--------|------|-------------|------|------|--------|------|--------|------|------|------|--------------|-------|------|
| 2-11/16 2-3/4 2-15/16 3 | 3.50 | 8.75 | 2.63 | 5.30 | 7.500 | 1.25 | 5/8 | 1.94 | 0.75 | 6.375 | 4.28 | 5/8-11 | 3.56 | 1.56 | 1.63 | 0.25 | 0.025 | 3.47 |
| 3-3/16 3-1/4 3-7/16 3-1/2 | 4.17 | 10.25 | 3.00 | 6.09 | 8.625 | 1.26 | 3/4 | 2.53 | 0.94 | 7.375 | 5.00 | 3/4-10 | 4.06 | 1.64 | 1.52 | 0.25 | 0.025 | 4.05 |
| 3-15/16 4 | 4.70 | 10.88 | 3.50 | 6.63 | 9.375 | 1.47 | 3/4 | 2.89 | 1.13 | 8.125 | 5.56 | 3/4-10 | 4.78 | 1.81 | 1.91 | 0.31 | 0.025 | 4.50 |
| 4-7/16 4-1/2 | 5.23 | 13.50 | 4.58 | 5.88 | 11.750 | 1.45 | 3/4 ** | 3.03 | 0.94 | 10.250 | 6.44 | 3/4-10 | 5.66 | 2.20 | 2.63 | 0.38 | 0.036 | 5.00 |
| 4-15/16 5 | 5.98 | 14.75 | 4.88 | 6.38 | 12.750 | 1.70 | 7/8 ** | 3.40 | 1.25 | 11.000 | 7.63 | 3/4-10 | 6.41 | 2.59 | 3.01 | 0.38 | 0.036 | 5.84 |

- +0.000
-0.002

- REFERENCE DIMENSION ONLY

NOTE(S): "P" AND "G" DIMENSIONS ARE FOR NON-EXPANSION ONLY

"A" AND "P" DIMENSIONS DO NOT INCLUDE "Y" DIMENSION

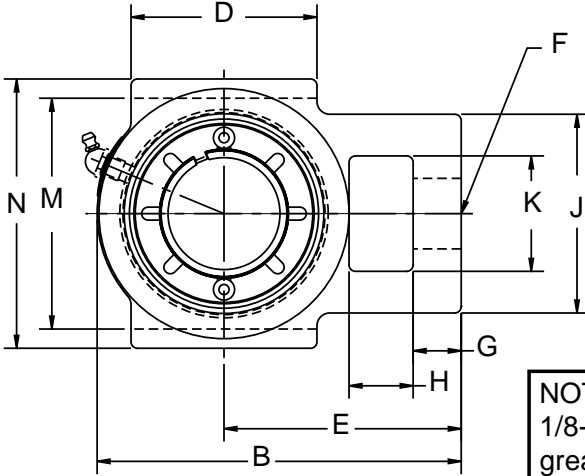
** 4-7/16 THRU 5 HAVE (6) EQUALLY SPACED MOUNTING HOLES

| | | | |
|---------------------------------|--------------------------------------|-------------------------------------|-----------------------------------|
| IMPERIAL FEATURES PAGE B10-3 | IMPERIAL SPECIFICATION PAGE B10-6 | IMPERIAL NOMENCLATURE PAGE B10-9 | IMPERIAL SELECTION PAGE B10-12 |
|---------------------------------|--------------------------------------|-------------------------------------|-----------------------------------|

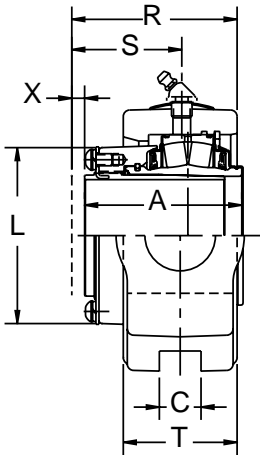
DIMENSION



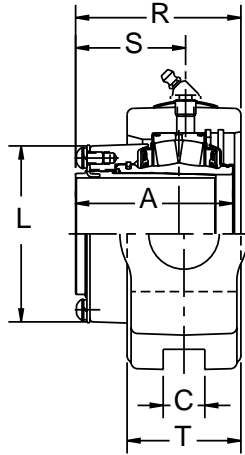
IMPERIAL - IP Wide Slot Take-Up 1-1/8 THRU 2-1/4 INCH



NOTE: All sizes use a 1/8-27 NPT hydraulic grease fitting



EXPANSION



NON-EXPANSION

| | | | |
|---------------------------------|--------------------------------------|-------------------------------------|-----------------------------------|
| IMPERIAL FEATURES PAGE B10-3 | IMPERIAL SPECIFICATION PAGE B10-6 | IMPERIAL NOMENCLATURE PAGE B10-9 | IMPERIAL SELECTION PAGE B10-12 |
|---------------------------------|--------------------------------------|-------------------------------------|-----------------------------------|

DIMENSION



IMPERIAL - IP Wide Slot Take-Up 1-1/8 THRU 2-1/4 INCH

| Bearing | Shaft Size Inch | Take-Up Frame | TRIDENT Seal | | | |
|---------|-----------------|---------------|---------------|--------------|---------------|---------------|
| | | | Non-Expansion | | Expansion | |
| | | | Part No. | Part Name | Part No. | Part Name |
| 22208 | 1 - 1/8 | CP-308 | 069340 | WSTU-IP-102R | 069368 | WSTU-IP-102RE |
| | 1 - 3/16 | | 069341 | WSTU-IP-103R | 069369 | WSTU-IP-103RE |
| | 1 - 1/4 | | 069342 | WSTU-IP-104R | 069370 | WSTU-IP-104RE |
| | 1 - 3/8 | | 069343 | WSTU-IP-106R | 069371 | WSTU-IP-106RE |
| | 1 - 7/16 | | 069344 | WSTU-IP-107R | 069372 | WSTU-IP-107RE |
| | 1 - 1/2 | | 069345 | WSTU-IP-108R | 069373 | WSTU-IP-108RE |
| 22209 | 1 - 5/8 | CP-400 | 069346 | WSTU-IP-110R | 069374 | WSTU-IP-110RE |
| | 1 - 11/16 | | 069347 | WSTU-IP-111R | 069375 | WSTU-IP-111RE |
| | 1 - 3/4 | | 069348 | WSTU-IP-112R | 069376 | WSTU-IP-112RE |
| 22210 | 1 - 7/8 | CP-400 | 069349 | WSTU-IP-114R | 069377 | WSTU-IP-114RE |
| | 1 - 15/16 | | 069350 | WSTU-IP-115R | 069378 | WSTU-IP-115RE |
| | 2 | | 069351 | WSTU-IP-200R | 069379 | WSTU-IP-200RE |
| 22211 | 2 - 3/16 | CP-408 | 069352 | WSTU-IP-203R | 069380 | WSTU-IP-203RE |
| | 2 - 1/4 | | 069353 | WSTU-IP-204R | 069381 | WSTU-IP-204RE |

Metric shaft sizes available upon request

See Page B15-20 for CP. Take-Up Frame

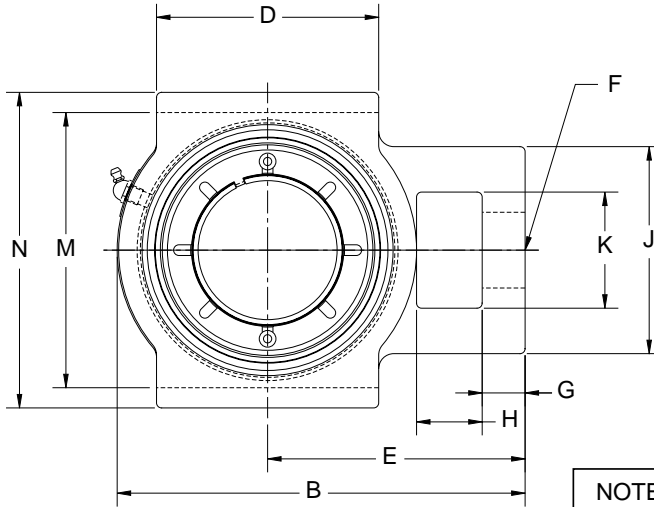
| SHAFT SIZE | A | B | C | D | E | F | G | H | J | K | L | M | N | R | S | T | X TOTAL EXP |
|------------|-----------|-----------|-------|---------|-----------|---------|-------|---------|----------|-----------|-----------|---------|---------|-----------|-----------|----------|-------------|
| 1 - 1/8 | | | | | | | | | | | | | | | | | |
| 1 - 3/16 | | | | | | | | | | | | | | | | | |
| 1 - 1/4 | 2 - 5/8 | 5 - 1/16 | 17/32 | 2 - 3/4 | 3 - 3/16 | 7/8 | 11/16 | 5/8 | 2 - 7/16 | 1 - 7/16 | 2 - 23/32 | 3 - 1/2 | 4 - 1/8 | 2 - 53/64 | 1 - 47/64 | 2 - 1/16 | 3/16 |
| 1 - 3/8 | | | | | | | | | | | | | | | | | |
| 1 - 7/16 | | | | | | | | | | | | | | | | | |
| 1 - 1/2 | | | | | | | | | | | | | | | | | |
| 1 - 5/8 | | | | | | | | | | | | | | | | | |
| 1 - 11/16 | 2 - 13/16 | 5 - 15/16 | 11/16 | 3 - 1/8 | 3 - 13/16 | 1 - 1/8 | 15/16 | 3/4 | 3 - 5/16 | 1 - 15/16 | 3 | 4 | 4 - 3/4 | 2 - 31/32 | 1 - 63/64 | 2 - 1/32 | 1/4 |
| 1 - 3/4 | | | | | | | | | | | | | | | | | |
| 1 - 7/8 | | | | | | | | | | | | | | | | | |
| 1 - 15/16 | 2 - 55/64 | 6 - 3/16 | 11/16 | 3 - 5/8 | 3 - 15/16 | 1 - 1/8 | 15/16 | 3/4 | 3 - 5/16 | 1 - 15/16 | 3 - 9/32 | 4 | 4 - 3/4 | 2 - 15/16 | 2 | 2 | 1/4 |
| 2 | | | | | | | | | | | | | | | | | |
| 2 - 3/16 | | | | | | | | | | | | | | | | | |
| 2 - 1/4 | 3 - 1/32 | 7 - 1/16 | 13/16 | 3 - 5/8 | 4 - 5/8 | 1 - 3/8 | 15/16 | 1 - 1/4 | 3 - 7/8 | 2 - 1/4 | 3 - 1/2 | 4 - 1/2 | 5 - 1/4 | 3 - 3/16 | 2 - 7/64 | 2 - 7/32 | 1/4 |

| | | | |
|---------------------------------|--------------------------------------|-------------------------------------|-----------------------------------|
| IMPERIAL FEATURES PAGE B10-3 | IMPERIAL SPECIFICATION PAGE B10-6 | IMPERIAL NOMENCLATURE PAGE B10-9 | IMPERIAL SELECTION PAGE B10-12 |
|---------------------------------|--------------------------------------|-------------------------------------|-----------------------------------|

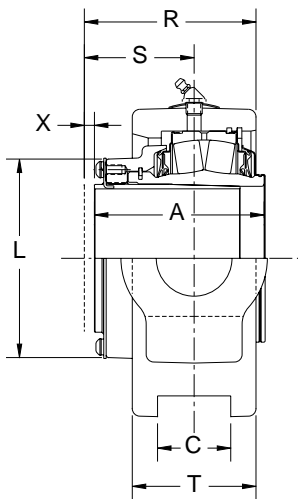
DIMENSION



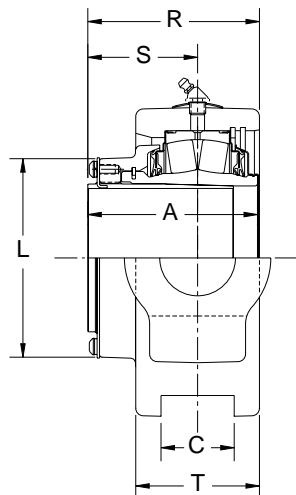
IMPERIAL - IP Wide Slot Take-Up 2-3/8 THRU 4 INCH



NOTE: All sizes use a 1/8-27 NPHydraulic grease fitting



EXPANSION



NON-EXPANSION

NOTE: See page B10-58 for 1-1/8 thru 2-1/4 inch

| | | | |
|---------------------------------|--------------------------------------|-------------------------------------|-----------------------------------|
| IMPERIAL FEATURES PAGE B10-3 | IMPERIAL SPECIFICATION PAGE B10-6 | IMPERIAL NOMENCLATURE PAGE B10-9 | IMPERIAL SELECTION PAGE B10-12 |
|---------------------------------|--------------------------------------|-------------------------------------|-----------------------------------|

DIMENSION



IMPERIAL - IP Wide Slot Take-Up 2-3/8 THRU 4 INCH

| Bearing | Shaft Size Inch | Take-Up Frame | TRIDENT Seal | | | |
|---------|-----------------|---------------|---------------|--------------|---------------|---------------|
| | | | Non-Expansion | | Expansion | |
| | | | Part No. | Part Name | Part No. | Part Name |
| 22213 | 2 - 3/8 | CP-502 | 069354 | WSTU-IP-206R | 069382 | WSTU-IP-206RE |
| | 2 - 7/16 | | 069355 | WSTU-IP-207R | 069383 | WSTU-IP-207RE |
| | 2 - 1/2 | | 069356 | WSTU-IP-208R | 069384 | WSTU-IP-208RE |
| 22215 | 2 - 11/16 | CP-515 | 069357 | WSTU-IP-211R | 069385 | WSTU-IP-211RE |
| | 2 - 3/4 | | 069358 | WSTU-IP-212R | 069386 | WSTU-IP-212RE |
| | 2 - 15/16 | | 069359 | WSTU-IP-215R | 069387 | WSTU-IP-215RE |
| | 3 | | 069360 | WSTU-IP-300R | 069388 | WSTU-IP-300RE |
| 22218 | 3 - 3/16 | CP-613 | 069361 | WSTU-IP-303R | 069389 | WSTU-IP-303RE |
| | 3 - 1/4 | | 069362 | WSTU-IP-304R | 069390 | WSTU-IP-304RE |
| | 3 - 7/16 | | 069363 | WSTU-IP-307R | 069391 | WSTU-IP-307RE |
| | 3 - 1/2 | | 069364 | WSTU-IP-308R | 069392 | WSTU-IP-308RE |
| 22220 | 3 - 11/16 | CP-810 | 069365 | WSTU-IP-311R | 069393 | WSTU-IP-311RE |
| | 3 - 15/16 | | 069366 | WSTU-IP-315R | 069394 | WSTU-IP-315RE |
| | 4 | | 069367 | WSTU-IP-400R | 069395 | WSTU-IP-400RE |

Metric shaft sizes available upon request

See Page B15-20 for CP Take-U Frame

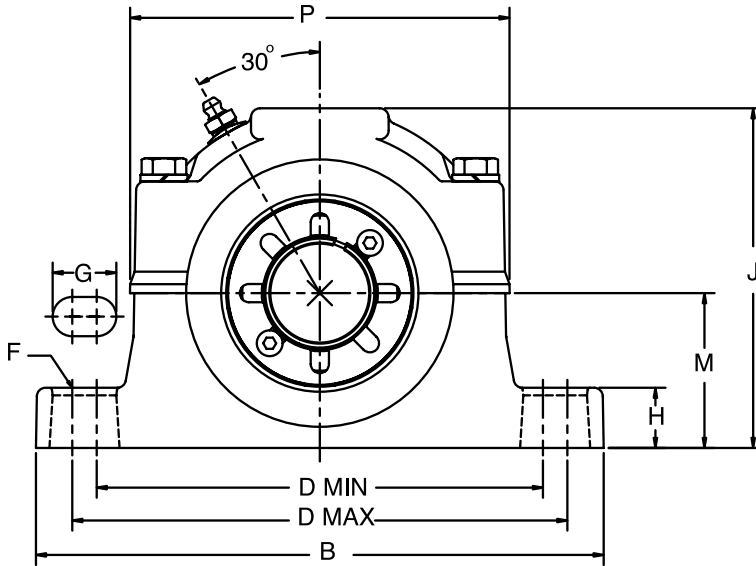
| SHAFT SIZE | A | B | C | D | E | F | G | H | J | K | L | M | N | R | S | T | X TOTAL EXP |
|------------|-----------|-----------|-----------|---------|---------|---------|----------|---------|---------|---------|----------|-----------|-----------|-----------|-----------|-----------|-------------|
| 2 - 3/8 | | | | | | | | | | | | | | | | | |
| 2 - 7/16 | 3 - 27/64 | 7 - 11/16 | 1 - 1/16 | 4 - 3/8 | 5 | 1 - 3/8 | 1 - 1/16 | 1 - 1/4 | 4 - 1/4 | 2 - 1/2 | 3 - 7/8 | 5 - 1/8 | 5 - 7/8 | 3 - 7/16 | 2 - 7/32 | 2 - 7/16 | 1/4 |
| 2 - 1/2 | | | | | | | | | | | | | | | | | |
| 2 - 11/16 | | | | | | | | | | | | | | | | | |
| 2 - 3/4 | 3 - 1/2 | 8 - 7/8 | 1 - 13/16 | 4 - 1/2 | 5 - 3/4 | 1 - 5/8 | 1 - 1/8 | 1 - 1/2 | 4 - 7/8 | 2 - 3/4 | 4 - 9/32 | 5 - 15/16 | 6 - 11/16 | 3 - 43/64 | 2 - 9/32 | 2 - 11/16 | 1/4 |
| 2 - 15/16 | | | | | | | | | | | | | | | | | |
| 3 | | | | | | | | | | | | | | | | | |
| 3 - 3/16 | | | | | | | | | | | | | | | | | |
| 3 - 1/4 | 4 - 5/32 | 10 - 1/16 | 1 - 13/16 | 5 - 1/2 | 6 - 3/8 | 1 - 7/8 | 1 - 1/16 | 1 - 5/8 | 5 - 1/8 | 2 - 7/8 | 5 | 6 - 13/16 | 7 - 13/16 | 4 - 7/32 | 2 - 11/16 | 3 - 1/16 | 1/4 |
| 3 - 7/16 | | | | | | | | | | | | | | | | | |
| 3 - 1/2 | | | | | | | | | | | | | | | | | |
| 3 - 11/16 | | | | | | | | | | | | | | | | | |
| 3 - 15/16 | 4 - 45/64 | 12 - 9/16 | 2 - 1/16 | 7 | 8 - 3/8 | 2 - 1/8 | 2 - 1/16 | 2 - 1/8 | 6 | 3 - 3/8 | 5 - 9/16 | 8 - 5/8 | 9 - 7/16 | 4 - 51/64 | 3 - 3/64 | 3 - 7/16 | 5/16 |
| 4 | | | | | | | | | | | | | | | | | |

| | | | |
|---------------------------------|--------------------------------------|-------------------------------------|-----------------------------------|
| IMPERIAL FEATURES PAGE B10-3 | IMPERIAL SPECIFICATION PAGE B10-6 | IMPERIAL NOMENCLATURE PAGE B10-9 | IMPERIAL SELECTION PAGE B10-12 |
|---------------------------------|--------------------------------------|-------------------------------------|-----------------------------------|

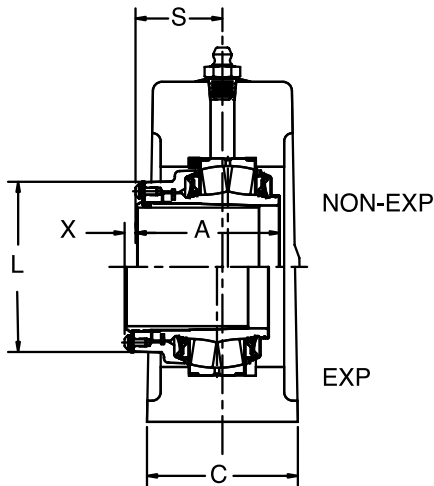
DIMENSION



IMPERIAL ISAF 1-7/16 THRU 3-7/16 INCH - 2-BOLT



NOTE: All sizes use a 1/8-27 NPT hydraulic grease fitting



CONTACT SEAL

NOTE: See page B10-62 for 2-7/16 thru 7 inch

| | | | |
|---|--|---|---|
| <p>IMPERIAL FEATURES PAGE B10-3</p> | <p>IMPERIAL SPECIFICATION PAGE B10-6</p> | <p>IMPERIAL NOMENCLATURE PAGE B10-9</p> | <p>IMPERIAL SELECTION PAGE B10-12</p> |
|---|--|---|---|



IMPERIAL ISAF 1-7/16 THRU 3-7/16 INCH - 2-BOLT

| Bearing | Shaft Size Inch | TRIDENT Seal | | | | Labyrinth Seal | | | |
|---------|-----------------|---------------|------------------|---------------|-------------------|----------------|------------------|---------------|-------------------|
| | | Non-Expansion | | Expansion | | Non-Expansion | | Expansion | |
| | | Part No. | Part Name | Part No. | Part Name | Part No. | Part Name | Part No. | Part Name |
| 22208 | 1-7/16 | 070054 | P2B509-ISAF-107R | 070064 | P2B509-ISAF-107RE | 070074 | P2B509-ISAF-107L | 070084 | P2B509-ISAF-107LE |
| 22209 | 1-11/16 | 070055 | P2B510-ISAF-111R | 070065 | P2B510-ISAF-111RE | 070075 | P2B510-ISAF-111L | 070085 | P2B510-ISAF-111LE |
| 22210 | 1-15/16 | 070056 | P2B511-ISAF-115R | 070066 | P2B511-ISAF-115RE | 070076 | P2B511-ISAF-115L | 070086 | P2B511-ISAF-115LE |
| 22211 | 2-3/16 | 070057 | P2B513-ISAF-203R | 070067 | P2B513-ISAF-203RE | 070077 | P2B513-ISAF-203L | 070087 | P2B513-ISAF-203LE |
| 22213 | 2-7/16 | 070951 | P2B515-ISAF-207R | 070955 | P2B515-ISAF-207RE | 070959 | P2B515-ISAF-207L | 070963 | P2B515-ISAF-207LE |
| 22215 | 2-11/16 | 070952 | P2B516-ISAF-211R | 070956 | P2B516-ISAF-211RE | 070960 | P2B516-ISAF-211L | 070964 | P2B516-ISAF-211LE |
| 22215 | 2-15/16 | 070953 | P2B517-ISAF-215R | 070957 | P2B517-ISAF-215RE | 070961 | P2B517-ISAF-215L | 070965 | P2B517-ISAF-215LE |
| 22218 | 3-7/16 | 070954 | P2B520-ISAF-307R | 070958 | P2B520-ISAF-307RE | 070962 | P2B520-ISAF-307L | 070966 | P2B520-ISAF-307LE |

Metric shaft sizes available upon request

| Shaft Size | SAF Series | A | B | C | D | | F Bolts | G |
|------------|------------|---------|----------|---------|----------|--------|---------|---------|
| | | | | | Min | Max | | |
| 1-7/16 | 509 | 2-5/8 | 8-1/4 | 2-3/16 | 6-1/4 | 7 | 1/2 | 15/16 |
| 1-11/16 | 510 | 2-13/16 | 8-1/4 | 2-3/8 | 6-1/2 | 7 | 1/2 | 7/8 |
| 1-15/16 | 511 | 2-55/64 | 9-5/8 | 2-3/4 | 7-3/8 | 8-1/4 | 5/8 | 1-13/64 |
| 2-3/16 | 513 | 3-1/32 | 11 | 3-1/4 | 8-21/32 | 9-1/2 | 5/8 | 1-5/32 |
| 2-7/16 | 515 | 3-27/64 | 11-1/8 | 3-1/8 | 8-5/8 | 9-5/8 | 5/8 | 1-1/8 |
| 2-11/16 | 516 | 3-1/2 | 12-19/32 | 3-1/2 | 9-7/8 | 11 | 3/4 | 1-5/16 |
| 2-15/16 | 517 | 3-1/2 | 12-19/32 | 3-1/2 | 9-7/8 | 11 | 3/4 | 1-5/16 |
| 3-7/16 | 520 | 4-5/32 | 15-23/64 | 4-11/32 | 11-13/16 | 13-1/8 | 7/8 | 1-5/8 |

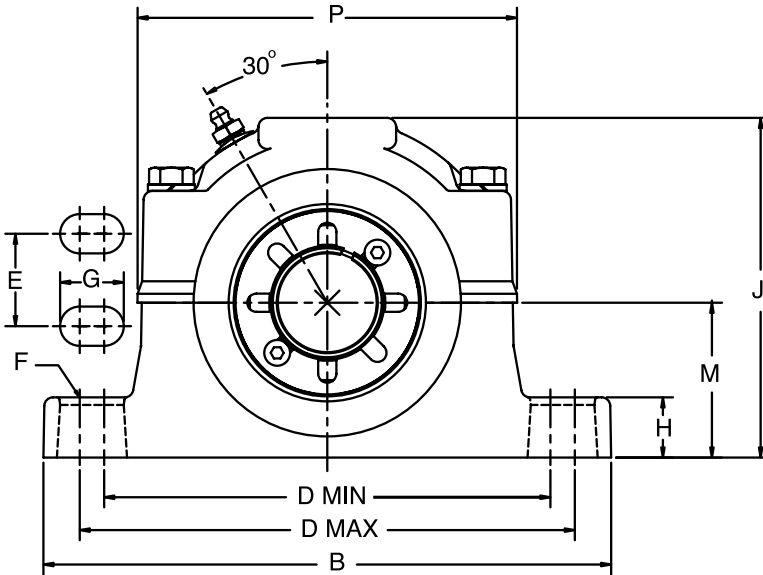
| Shaft Size | SAF Series | H | J | L | M | P | S | X Expansion |
|------------|------------|---------|---------|---------|-------|---------|---------|-------------|
| 1-7/16 | 509 | 7/8 | 4-15/16 | 2-23/32 | 2-1/4 | 5-33/64 | 1-17/32 | 7/32 |
| 1-11/16 | 510 | 1-1/32 | 5-29/64 | 3 | 2-1/2 | 5-13/16 | 1-47/64 | 7/32 |
| 1-15/16 | 511 | 1-1/32 | 5-31/32 | 3-9/32 | 2-3/4 | 6-3/8 | 1-47/64 | 17/64 |
| 2-3/16 | 513 | 1-1/32 | 6-11/32 | 3-1/2 | 3 | 6-31/32 | 1-7/8 | 7/32 |
| 2-7/16 | 515 | 1-1/4 | 6-55/64 | 3-7/8 | 3-1/4 | 7-27/64 | 2-1/16 | 5/16 |
| 2-11/16 | 516 | 1 | 7-1/2 | 4-9/32 | 3-1/2 | 8-5/16 | 2-5/32 | 15/64 |
| 2-15/16 | 517 | 1-1/4 | 7-3/4 | 4-9/32 | 3-3/4 | 8-5/16 | 2-5/32 | 15/64 |
| 3-7/16 | 520 | 1-21/32 | 9-1/4 | 5 | 4-1/2 | 10-1/8 | 2-31/64 | 3/8 |

| | | | |
|---------------------------------|--------------------------------------|-------------------------------------|-----------------------------------|
| IMPERIAL FEATURES PAGE B10-3 | IMPERIAL SPECIFICATION PAGE B10-6 | IMPERIAL NOMENCLATURE PAGE B10-9 | IMPERIAL SELECTION PAGE B10-12 |
|---------------------------------|--------------------------------------|-------------------------------------|-----------------------------------|

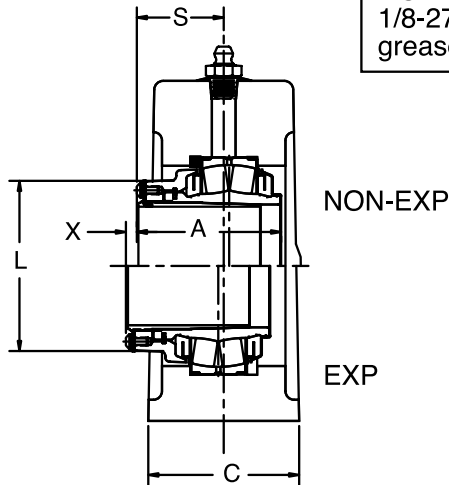
DIMENSION



IMPERIAL ISAF 2-7/16 THRU 7 INCH - 4-BOLT



NOTE: All sizes use a 1/8-27 NPT hydraulic grease fitting



LABYRINTH SEAL

NOTE: See page B10-60 for 1-1/8 thru 2-3/16 inch

| | | | |
|---|--|---|---|
| <p>IMPERIAL FEATURES PAGE B10-3</p> | <p>IMPERIAL SPECIFICATION PAGE B10-6</p> | <p>IMPERIAL NOMENCLATURE PAGE B10-9</p> | <p>IMPERIAL SELECTION PAGE B10-12</p> |
|---|--|---|---|



IMPERIAL ISAF 2-7/16 THRU 7 INCH - 4-BOLT

| Bearing | Shaft Size Inch | TRIDENT Seal | | | | Labyrinth Seal | | | |
|---------|-----------------|---------------|------------------|---------------|-------------------|----------------|------------------|---------------|-------------------|
| | | Non-Expansion | | Expansion | | Non-Expansion | | Expansion | |
| | | Part No. | Part Name | Part No. | Part Name | Part No. | Part Name | Part No. | Part Name |
| 22213 | 2-7/16 | 070058 | P4B515-ISAF-207R | 070068 | P4B515-ISAF-207RE | 070078 | P4B515-ISAF-207L | 070088 | P4B515-ISAF-207LE |
| 22215 | 2-11/16 | 070094 | P4B516-ISAF-211R | 070095 | P4B516-ISAF-211RE | 070096 | P4B516-ISAF-211L | 070097 | P4B516-ISAF-211LE |
| 22215 | 2-15/16 | 070059 | P4B517-ISAF-215R | 070069 | P4B517-ISAF-215RE | 070079 | P4B517-ISAF-215L | 070089 | P4B517-ISAF-215LE |
| 22218 | 3-7/16 | 070060 | P4B520-ISAF-307R | 070070 | P4B520-ISAF-307RE | 070080 | P4B520-ISAF-307L | 070090 | P4B520-ISAF-307LE |
| 22220 | 3-15/16 | 070061 | P4B522-ISAF-315R | 070071 | P4B522-ISAF-315RE | 070081 | P4B522-ISAF-315L | 070091 | P4B522-ISAF-315LE |
| 22222 | 4-7/16 | 070062 | P4B526-ISAF-407R | 070072 | P4B526-ISAF-407RE | 070082 | P4B526-ISAF-407L | 070092 | P4B526-ISAF-407LE |
| 22226 | 4-15/16 | 070063 | P4B528-ISAF-415R | 070073 | P4B528-ISAF-415RE | 070083 | P4B528-ISAF-415L | 070093 | P4B528-ISAF-415LE |
| 22228 | 5-7/16 | 037850 | P4B532-ISAF-507R | 037854 | P4B532-ISAF-507RE | 037901 | P4B532-ISAF-507L | 037902 | P4B532-ISAF-507LE |
| | 5-1/2 | 037903 | P4B532-ISAF-508R | 037904 | P4B532-ISAF-508RE | 037905 | P4B532-ISAF-508L | 037906 | P4B532-ISAF-508LE |
| 22232 | 5-15/16 | 037851 | P4B534-ISAF-515R | 037855 | P4B534-ISAF-515RE | 037907 | P4B534-ISAF-515L | 037908 | P4B534-ISAF-515LE |
| | 6 | 037909 | P4B534-ISAF-600R | 037910 | P4B534-ISAF-600RE | 037911 | P4B534-ISAF-600L | 037912 | P4B534-ISAF-600LE |
| 22236 | 6-7/16 | 037852 | P4B536-ISAF-607R | 037856 | P4B536-ISAF-607RE | 037913 | P4B536-ISAF-607L | 037914 | P4B536-ISAF-607LE |
| | 6-1/2 | 037915 | P4B536-ISAF-608R | 037916 | P4B536-ISAF-608RE | 037917 | P4B536-ISAF-608L | 037918 | P4B536-ISAF-608LE |
| 22236 | 6-15/16 | 037853 | P4B538-ISAF-615R | 037857 | P4B538-ISAF-615RE | 037919 | P4B538-ISAF-615L | 037920 | P4B538-ISAF-615LE |
| | 7 | 037921 | P4B538-ISAF-700R | 037922 | P4B538-ISAF-700RE | 037923 | P4B538-ISAF-700L | 037924 | P4B538-ISAF-700LE |

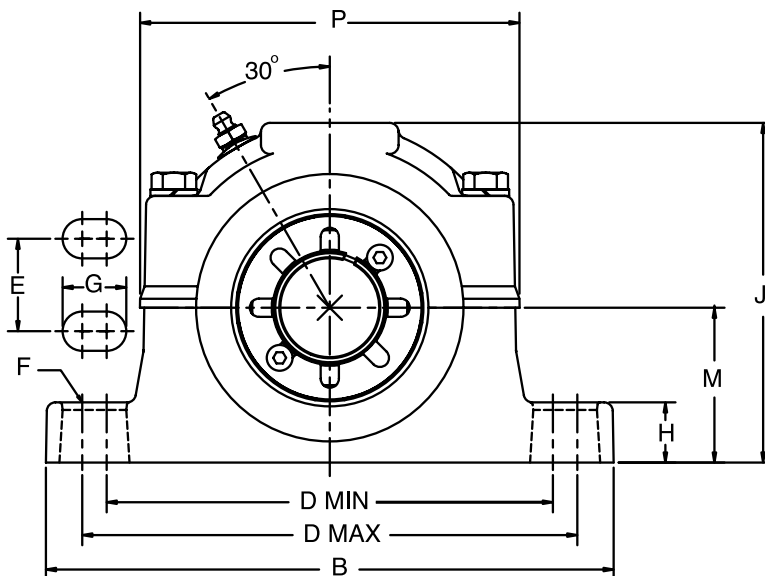
See Page B10-65 for dimensions

| | | | |
|---------------------------------|--------------------------------------|-------------------------------------|-----------------------------------|
| IMPERIAL FEATURES PAGE B10-3 | IMPERIAL SPECIFICATION PAGE B10-6 | IMPERIAL NOMENCLATURE PAGE B10-9 | IMPERIAL SELECTION PAGE B10-12 |
|---------------------------------|--------------------------------------|-------------------------------------|-----------------------------------|

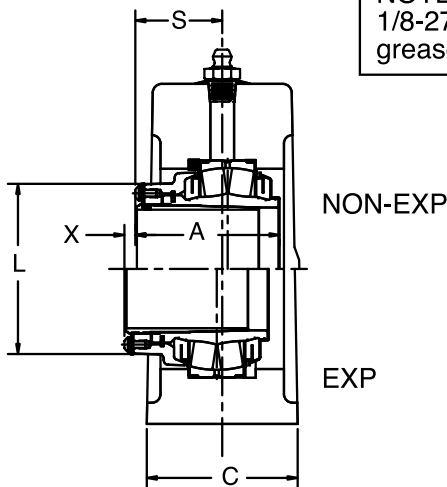
DIMENSION



IMPERIAL ISAF 2-7/16 THRU 7 INCH - 4-BOLT



NOTE: All sizes use a 1/8-27 NPT hydraulic grease fitting



LABYRINTH SEAL

| | | | |
|---|--|---|---|
| <p>IMPERIAL FEATURES PAGE B10-3</p> | <p>IMPERIAL SPECIFICATION PAGE B10-6</p> | <p>IMPERIAL NOMENCLATURE PAGE B10-9</p> | <p>IMPERIAL SELECTION PAGE B10-12</p> |
|---|--|---|---|



IMPERIAL ISAF 2-7/16 THRU 7 INCH - 4-BOLT

IMPERIAL - ISAF

UNIFIED SAF

International Bearings

Sleeve Bearing

SLEEVOIL

| Shaft Size | SAF Series | A | B | C | D | | E | F Bolts | G |
|-------------------|------------|---------|----------|---------|----------|--------|-------|---------|---------|
| | | | | | Min | Max | | | |
| 2-7/16 | 515 | 3-27/64 | 11-1/8 | 3-1/8 | 8-5/8 | 9-5/8 | 1-7/8 | 1/2 | 1-1/8 |
| 2-11/16 | 516 | 3-1/2 | 12-19/32 | 3-1/2 | 9-7/8 | 11 | 2-1/8 | 5/8 | 1-5/16 |
| 2-15/16 | 517 | 3-1/2 | 12-19/32 | 3-1/2 | 9-7/8 | 11 | 2-1/8 | 5/8 | 1-5/16 |
| 3-7/16 | 520 | 4-5/32 | 15-23/64 | 4-11/32 | 11-13/16 | 13-1/8 | 2-3/8 | 3/4 | 1-5/8 |
| 3-15/16 | 522 | 4-45/64 | 16-1/2 | 4-3/4 | 12-19/32 | 14-1/2 | 2-3/4 | 3/4 | 1-53/64 |
| 4-7/16 | 526 | 5-15/64 | 18-3/8 | 5-1/8 | 14-1/2 | 16 | 3-1/4 | 7/8 | 1-3/4 |
| 4-15/16 5-7/16 | 528 | 5-63/64 | 19-45/64 | 5-7/8 | 15-5/8 | 17-3/8 | 3-3/8 | 1 | 2 |
| 5-1/2 5-15/16 | 532 | 6-11/64 | 21-21/32 | 6-1/4 | 17-3/8 | 19-1/4 | 3-3/4 | 1 | 2-1/16 |
| 6 6-7/16 | 534 | 7-5/64 | 24-3/4 | 6-3/4 | 19-3/8 | 21-5/8 | 4-1/4 | 1 | 2-1/4 |
| 6-1/2 6-15/16 | 536 | 7-25/64 | 26-3/4 | 7-1/8 | 20-7/8 | 23-5/8 | 4-5/8 | 1 | 2-1/2 |
| 7 | 538 | 7-25/64 | 28 | 7-1/2 | 21-5/8 | 24-3/8 | 4-1/2 | 1-1/4 | 2-3/4 |

| Shaft Size | SAF Series | H | J | L | M | P | S | X Expansion |
|-------------------|------------|---------|----------|----------|---------|----------|---------|-------------|
| 2-7/16 | 515 | 1-1/4 | 6-55/64 | 3-7/8 | 3-1/4 | 7-27/64 | 2-1/16 | 5/16 |
| 2-11/16 | 516 | 1 | 7-1/2 | 4-9/32 | 3-1/2 | 8-5/16 | 2-5/32 | 15/64 |
| 2-15/16 | 517 | 1-1/4 | 7-3/4 | 4-9/32 | 3-3/4 | 8-5/16 | 2-5/32 | 15/64 |
| 3-7/16 | 520 | 1-21/32 | 9-1/4 | 5 | 4-1/2 | 10-1/8 | 2-31/64 | 3/8 |
| 3-15/16 | 522 | 1-25/32 | 10-3/16 | 5-9/16 | 4-15/16 | 10-23/32 | 2-55/64 | 3/8 |
| 4-7/16 | 526 | 2-1/16 | 11-21/32 | 6-7/16 | 6 | 12-15/32 | 3-3/32 | 3/8 |
| 4-15/16 5-7/16 | 528 | 2-1/16 | 12-13/32 | 7-5/8 | 6 | 13-3/8 | 3-11/16 | 3/8 |
| 5-1/2 5-15/16 | 532 | 2-11/32 | 12-1/2 | 8-3/4 | 6-11/16 | 13-3/8 | 3-41/64 | 3/8 |
| 6 6-7/16 | 534 | 2-7/8 | 13-11/16 | 10-1/4 | 7-1/16 | 15-3/32 | 4-7/64 | 3/8 |
| 6-1/2 6-15/16 | 536 | 3 | 15-1/8 | 11-13/32 | 7-1/2 | 17-3/8 | 4-11/32 | 3/8 |
| 7 | 538 | 3-1/8 | 15-1/2 | 11-13/32 | 7-7/8 | 17-3/8 | 4-11/32 | 3/8 |

See page B10-63 for part number

| | | | |
|---------------------------------|--------------------------------------|-------------------------------------|-----------------------------------|
| IMPERIAL FEATURES PAGE B10-3 | IMPERIAL SPECIFICATION PAGE B10-6 | IMPERIAL NOMENCLATURE PAGE B10-9 | IMPERIAL SELECTION PAGE B10-12 |
|---------------------------------|--------------------------------------|-------------------------------------|-----------------------------------|



IMPERIAL ISAF
How to Order ISAF Smart Stock Selections

Step 1: The Housing Choices

ISAF housings with embedded thermocoupled probe and adapter plate

| Shaft Size | Series | Drilled Housing Part Numbers For Temperature and/or Vibration Part # |
|------------|--------|--|
| 207 | 515 | 063765 |
| 215 | 517 | 063766 |
| 307 | 520 | 063767 |
| 315 | 522 | 063768 |
| 407 | 526 | 063769 |
| 415 | 528 | 063770 |

Step 2: Bearing Insert

Select insert based on shaft size and seal choice. Locknut contains 4 holes for prox target attachment.

| Shaft Size | TRIDENT Seal | Labyrinth Seals |
|------------|---------------|-----------------|
| 207 | 070895 | 070927 |
| 215 | 070899 | 070931 |
| 307 | 070903 | 070935 |
| 315 | 070906 | 070938 |
| 407 | 048385 | 048389 |
| 415 | 048386 | 048390 |

* For additional details on DODGE Smart Bearings, see brochure DMR 2026-6

IMPERIAL - ISAF

UNIFIED SAF

International Bearings

Sleeve Bearing

SLEVOIL

| | | | |
|---------------------------------|--------------------------------------|-------------------------------------|-----------------------------------|
| IMPERIAL FEATURES PAGE B10-3 | IMPERIAL SPECIFICATION PAGE B10-6 | IMPERIAL NOMENCLATURE PAGE B10-9 | IMPERIAL SELECTION PAGE B10-12 |
|---------------------------------|--------------------------------------|-------------------------------------|-----------------------------------|



IMPERIAL ISAF
How to Order ISAF Smart Stock Selections

Step 3: The Sensor Choices

For speed monitoring, select prox cover and prox kit, either AC for PLC monitoring or DC for EZ Link. Add the Cable Connector kit for EZ Link speed monitoring

For temperature monitoring select the Thermocouple Transmitter kit **055931**

For temperature and vibration monitoring select **067576**

To monitor temperature, vibration, and speed select EZ Link.

| Prox Covers | | |
|-------------|----------------|---------------|
| Shaft Size | Housing Series | Part Number |
| 207 | 515 | 063771 |
| 215 | 517 | 063772 |
| 307 | 520 | 063773 |
| 315 | 522 | 063774 |
| 407 | 526 | 063775 |
| 415 | 528 | 063776 |

| ISAF Sensor Kits | Part Number |
|--|---------------|
| AC Prox | 055940 |
| DC Prox | 055945 |
| Thermocouple Transmitter | 055931 |
| EZLINK | 059652 |
| Cable Connector Kit | 063694 |
| 4-20 ma Accelerometer and Thermocouple | 067576 |

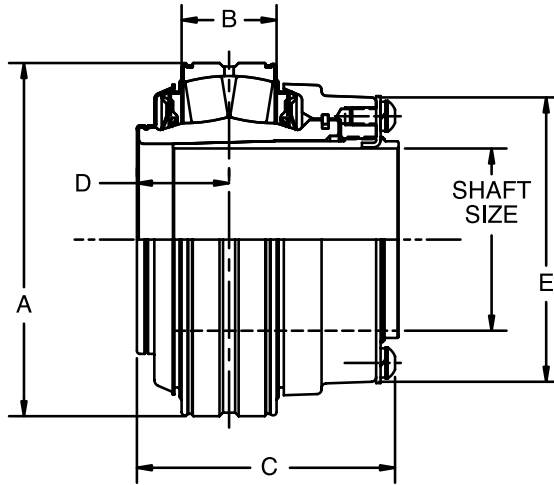
| | | | |
|---------------------------------|--------------------------------------|-------------------------------------|-----------------------------------|
| IMPERIAL FEATURES PAGE B10-3 | IMPERIAL SPECIFICATION PAGE B10-6 | IMPERIAL NOMENCLATURE PAGE B10-9 | IMPERIAL SELECTION PAGE B10-12 |
|---------------------------------|--------------------------------------|-------------------------------------|-----------------------------------|

DIMENSION

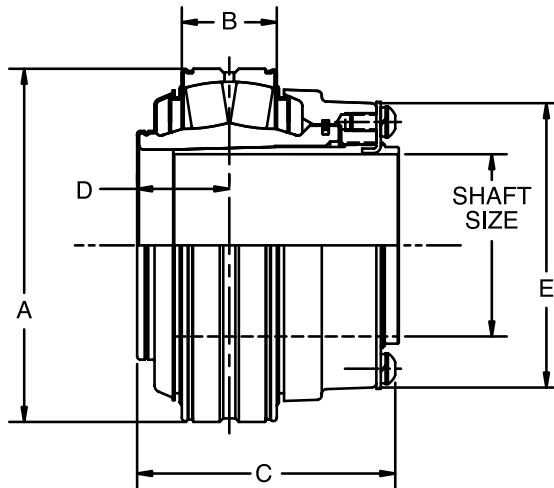


IMPERIAL Bearing Insert - For IP, IP-E and ISAF Housings 1-1/8 THRU 2-1/4 INCH

TRIDENT SEAL



LABYRINTH SEAL



| | | | |
|---------------------------------|--------------------------------------|-------------------------------------|-----------------------------------|
| IMPERIAL FEATURES PAGE B10-3 | IMPERIAL SPECIFICATION PAGE B10-6 | IMPERIAL NOMENCLATURE PAGE B10-9 | IMPERIAL SELECTION PAGE B10-12 |
|---------------------------------|--------------------------------------|-------------------------------------|-----------------------------------|



IMPERIAL Bearing Insert - For IP, IP-E and ISAF Housing

1-1/8 THRU 2-1/4 PART NUMBERS

| Bearing Series | Shaft Size - Inch | TRIDENT Seal | | Labyrinth Seal | |
|----------------|-------------------|---------------|--------------|----------------|--------------|
| | | Part Number | Part Name | Part Number | Part Name |
| 22208 | 1-1/8 | 070880 | INS-IP-102R | 070912 | INS-IP-102L |
| | 1-3/16 | 070881 | INS-IP-103R | 070913 | INS-IP-103L |
| | 1-1/4 | 070882 | INS-IP-104R | 070914 | INS-IP-104L |
| | 1-3/8 | 070883 | INS-IP-106R | 070915 | INS-IP-106L |
| | 1-7/16 | 070884 | INS-IP-107R | 070916 | INS-IP-107L |
| | 1-1/2 | 070885 | INS-IP-108R | 070917 | INS-IP-108L |
| 22209 | 1-1/2 * | 071590 | INS-IPE-108R | 071593 | INS-IPE-108L |
| | 1-5/8 | 070886 | INS-IP-110R | 070918 | INS-IP-110L |
| | 1-11/16 | 070887 | INS-IP-111R | 070919 | INS-IP-111L |
| | 1-3/4 | 070888 | INS-IP-112R | 070920 | INS-IP-112L |
| 22210 | 1-3/4 * | 071591 | INS-IPE-112R | 071594 | INS-IPE-112L |
| | 1-7/8 | 070889 | INS-IP-114R | 070921 | INS-IP-114L |
| | 1-15/16 | 070890 | INS-IP-115R | 070922 | INS-IP-115L |
| | 2 | 070891 | INS-IP-200R | 070923 | INS-IP-200L |
| 22211 | 2-3/16 | 070892 | INS-IP-203R | 070924 | INS-IP-203L |
| | 2-1/4 | 070893 | INS-IP-204R | 070925 | INS-IP-204L |

* Inserts for IMPERIAL-Type E dimensioned housings only

Metric shaft sizes available upon request

| SHAFT SIZE | A | B | C | D | E |
|------------|--------|--------|---------|-------|---------|
| 1-1/8 | 3.1496 | 61/64 | 2-5/8 | 0.97 | 2-23/32 |
| 1-3/16 | | | | | |
| 1-1/4 | | | | | |
| 1-3/8 | | | | | |
| 1-7/16 | | | | | |
| 1-1/2 | | | | | |
| 1-1/2 * | 3.3465 | 61/64 | 2-13/16 | 0.954 | 3 |
| 1-5/8 | | | | | |
| 1-11/16 | | | | | |
| 1-3/4 | | | | | |
| 1-3/4 * | 3.5433 | 61/64 | 2-55/64 | 0.977 | 3-9/32 |
| 1-7/8 | | | | | |
| 1-15/16 | | | | | |
| 2 | | | | | |
| 2-3/16 | 3.937 | 1-3/64 | 3-1/32 | 1.05 | 3-1/2 |
| 2-1/4 | | | | | |

* Inserts for IMPERIAL-Type E dimensioned housings only

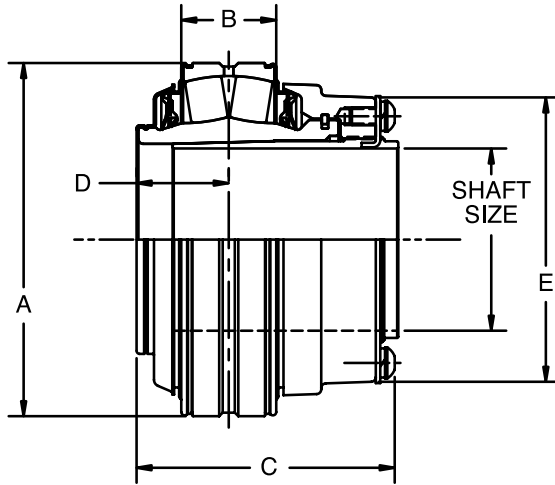
| | | | |
|---------------------------------|--------------------------------------|-------------------------------------|-----------------------------------|
| IMPERIAL FEATURES PAGE B10-3 | IMPERIAL SPECIFICATION PAGE B10-6 | IMPERIAL NOMENCLATURE PAGE B10-9 | IMPERIAL SELECTION PAGE B10-12 |
|---------------------------------|--------------------------------------|-------------------------------------|-----------------------------------|

DIMENSION

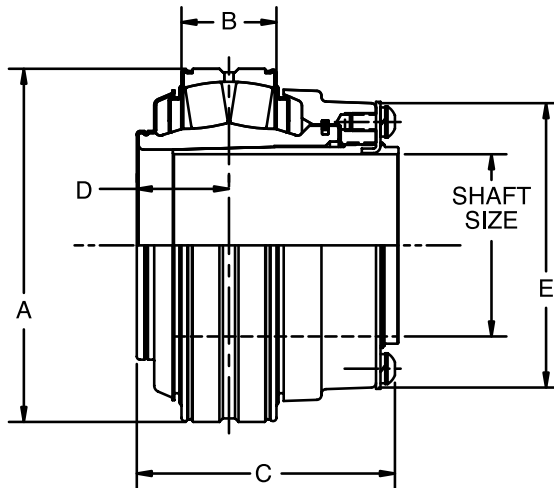


IMPERIAL Bearing Insert - For IP, IP-E and ISAF Housing 2-3/8 THRU 5 INCH

TRIDENT SEAL



LABYRINTH SEAL



| | | | |
|---|--|---|---|
| <p>IMPERIAL FEATURES PAGE B10-3</p> | <p>IMPERIAL SPECIFICATION PAGE B10-6</p> | <p>IMPERIAL NOMENCLATURE PAGE B10-9</p> | <p>IMPERIAL SELECTION PAGE B10-12</p> |
|---|--|---|---|



IMPERIAL Bearing Insert - For IP, IP-E and ISAF Housings 2-3/8 THRU 5 INCH - PART NUMBERS

| Bearing Series | Shaft Size | TRIDENT Seal | | Labyrinth Seal | |
|----------------|------------|---------------|--------------|----------------|--------------|
| | | Part Number | Part Name | Part Number | Part Name |
| 22213 | 2-1/4 * | 071592 | INS-IPE-204R | 071595 | INS-IPE-204L |
| | 2-3/8 | 070894 | INS-IP-206R | 070926 | INS-IP-206L |
| | 2-7/16 | 070895 | INS-IP-207R | 070927 | INS-IP-207L |
| | 2-1/2 | 070896 | INS-IP-208R | 070928 | INS-IP-208L |
| 22215 | 2-11/16 | 070897 | INS-IP-211R | 070929 | INS-IP-211L |
| | 2-3/4 | 070898 | INS-IP-212R | 070930 | INS-IP-212L |
| | 2-15/16 | 070899 | INS-IP-215R | 070931 | INS-IP-215L |
| | 3 | 070900 | INS-IP-300R | 070932 | INS-IP-300L |
| 22218 | 3-3/16 | 070901 | INS-IP-303R | 070933 | INS-IP-303L |
| | 3-1/4 | 070902 | INS-IP-304R | 070934 | INS-IP-304L |
| | 3-7/16 | 070903 | INS-IP-307R | 070935 | INS-IP-307L |
| | 3-1/2 | 070904 | INS-IP-308R | 070936 | INS-IP-308L |
| 22220 | 3-11/16 | 070905 | INS-IP-311R | 070937 | INS-IP-311L |
| | 3-15/16 | 070906 | INS-IP-315R | 070938 | INS-IP-315L |
| | 4 | 070907 | INS-IP-400R | 070939 | INS-IP-400L |
| 22222 | 4-7/16 | 070908 | INS-IP-407R | 070940 | INS-IP-407L |
| | 4-1/2 | 070909 | INS-IP-408R | 070941 | INS-IP-408L |
| 22226 | 4-15/16 | 070910 | INS-IP-415R | 070942 | INS-IP-415L |
| | 5 | 070911 | INS-IP-500R | 070943 | INS-IP-500L |

* Insert for IMPERIAL-Type E dimensioned housings only

Metric shaft sizes available upon request

| SHAFT SIZE | A | B | C | D | E |
|------------|--------|---------|---------|-------|--------|
| 2-1/4 * | | | | | |
| 2-3/8 | 4.7241 | 1-9/32 | 3-27/64 | 1.208 | 3-7/8 |
| 2-7/16 | | | | | |
| 2-1/2 | | | | | |
| 2-11/16 | 5.1181 | 1-9/32 | 3-1/2 | 1.219 | 4-9/32 |
| 2-3/4 | | | | | |
| 2-15/16 | | | | | |
| 3 | | | | | |
| 3-3/16 | 6.2992 | 1-5/8 | 4-11/64 | 1.483 | 5 |
| 3-1/4 | | | | | |
| 3-7/16 | | | | | |
| 3-1/2 | | | | | |
| 3-11/16 | 7.0866 | 1-7/8 | 4-45/64 | 1.646 | 5-9/16 |
| 3-15/16 | | | | | |
| 4 | | | | | |
| 4-7/16 | 7.8740 | 2-5/32 | 5-15/64 | 1.935 | 6-7/16 |
| 4-1/2 | | | | | |
| 4-15/16 | 9.0551 | 2-19/32 | 5-63/64 | 2.107 | 7-5/8 |
| 5 | | | | | |

* Insert for IMPERIAL-Type E dimensioned housings only

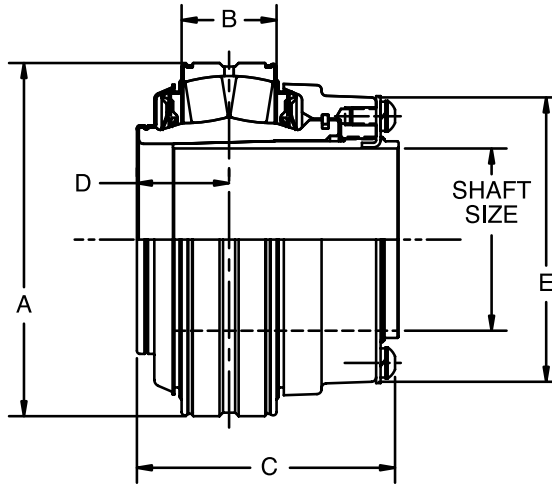
| | | | |
|---------------------------------|--------------------------------------|-------------------------------------|-----------------------------------|
| IMPERIAL FEATURES PAGE B10-3 | IMPERIAL SPECIFICATION PAGE B10-6 | IMPERIAL NOMENCLATURE PAGE B10-9 | IMPERIAL SELECTION PAGE B10-12 |
|---------------------------------|--------------------------------------|-------------------------------------|-----------------------------------|

DIMENSION

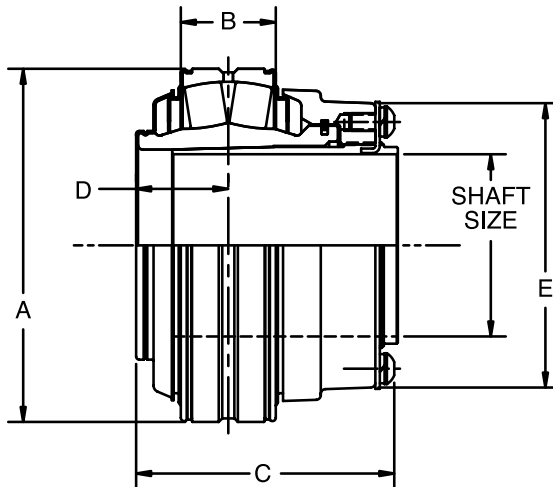


IMPERIAL Bearing Insert - For Large Bore ISAF Housing 5-7/16 THRU 7 INCH

TRIDENT SEAL



LABYRINTH SEAL



| | | | |
|---|--|---|---|
| <p>IMPERIAL FEATURES PAGE B10-3</p> | <p>IMPERIAL SPECIFICATION PAGE B10-6</p> | <p>IMPERIAL NOMENCLATURE PAGE B10-9</p> | <p>IMPERIAL SELECTION PAGE B10-12</p> |
|---|--|---|---|



IMPERIAL Bearing Insert - For Large Bore ISAF Housings 5-7/16 THRU 7 INCH

| Bearing Series | Shaft Size | TRIDENT Seal | | Labyrinth Seal | |
|----------------|------------|---------------|-------------|----------------|-------------|
| | | Part Number | Part Name | Part Number | Part Name |
| 22228 | 5-7/16 | 037925 | INS-IP-507R | 037933 | INS-IP-507L |
| | 5-1/2 | 037926 | INS-IP-508R | 037934 | INS-IP-508L |
| 22232 | 5-15/16 | 037927 | INS-IP-515R | 037935 | INS-IP-515L |
| | 6 | 037928 | INS-IP-600R | 037936 | INS-IP-600L |
| 22236 | 6-7/16 | 037929 | INS-IP-607R | 037937 | INS-IP-607L |
| | 6-1/2 | 037930 | INS-IP-608R | 037938 | INS-IP-608L |
| | 6-15/16 | 037931 | INS-IP-615R | 037939 | INS-IP-615L |
| | 7 | 037932 | INS-IP-700R | 037940 | INS-IP-700L |

Metric shaft sizes available upon request

| SHAFT SIZE | A | B | C | D | E |
|---------------------------------|---------|---------|---------|-------|----------|
| 5-7/16 5-1/2 | 9.8425 | 2-3/4 | 6-11/64 | 2.337 | 8-3/4 |
| 5-15/16 6 | 11.4173 | 3-7/32 | 7-5/64 | 2.768 | 10-1/4 |
| 6-7/16 6-1/2 6-15/16 7 | 12.5984 | 3-15/32 | 7-25/64 | 2.862 | 11-13/32 |

IMPERIAL - ISAF

UNIFIED SAF

International Bearings

Sleeve Bearing

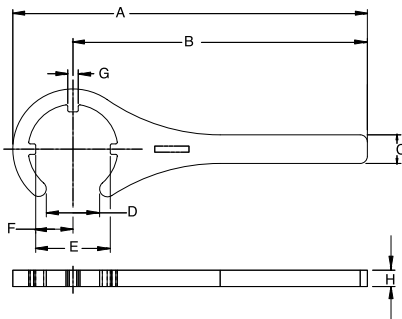
SLEEVOIL

| | | | |
|---------------------------------|--------------------------------------|-------------------------------------|-----------------------------------|
| IMPERIAL FEATURES PAGE B10-3 | IMPERIAL SPECIFICATION PAGE B10-6 | IMPERIAL NOMENCLATURE PAGE B10-9 | IMPERIAL SELECTION PAGE B10-12 |
|---------------------------------|--------------------------------------|-------------------------------------|-----------------------------------|

DIMENSION



IMPERIAL SPANNER WRENCH

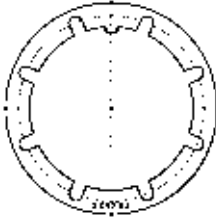


| Shaft Size | Part Number | A | B | C | D | E | F | G | H |
|-------------------------|---------------|-------|-------|------|------|-------|------|------|-----|
| 1-1/8 thru 1-1/2 | 066629 | 10.84 | 9.00 | 0.88 | 1.63 | 2.28 | 1.14 | 0.32 | 0.5 |
| 1-5/8 thru 1-3/4 | 066630 | 11.04 | 9.00 | 0.88 | 1.88 | 2.48 | 1.24 | 0.32 | 0.5 |
| 1-7/8 thru 2 | 066631 | 11.20 | 9.00 | 0.88 | 2.13 | 2.72 | 1.36 | 0.32 | 0.5 |
| 2-3/16 2-1/4 | 066632 | 12.38 | 10.00 | 0.88 | 2.38 | 2.98 | 1.49 | 0.44 | 0.5 |
| 2-3/8 thru 2-1/2 | 066633 | 12.63 | 10.00 | 1.31 | 2.63 | 3.40 | 1.70 | 0.44 | 0.5 |
| 2-11/16 thru 3 | 066634 | 16.90 | 14.00 | 1.31 | 3.13 | 3.80 | 1.90 | 0.44 | 0.5 |
| 3-3/16 thru 3-1/2 | 066635 | 17.39 | 14.00 | 1.31 | 3.63 | 4.36 | 2.18 | 0.44 | 0.5 |
| 3-11/16 thru 4 | 066636 | 17.75 | 14.00 | 1.75 | 4.13 | 4.91 | 2.46 | 0.44 | 0.5 |
| 4-7/16 4-1/2 | 066637 | 20.36 | 16.00 | 1.75 | 4.63 | 5.68 | 2.84 | 0.44 | 0.5 |
| 4-15/16 5 | 066638 | 25.17 | 20.00 | 2.00 | 5.13 | 6.88 | 3.44 | 0.44 | 0.5 |
| 5-7/16 5-1/2 | 066642 | 27.82 | 22.00 | 2.00 | 5.63 | 8.05 | 4.03 | 0.69 | 0.5 |
| 5-15/16 6 | 066643 | 28.75 | 22.00 | 2.00 | 6.13 | 9.13 | 4.57 | 0.75 | 0.5 |
| 6-7/16 thru 7 | 066644 | 31.54 | 24.00 | 2.00 | 7.13 | 10.08 | 5.04 | 0.75 | 0.5 |

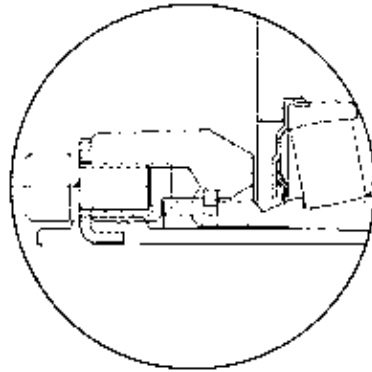
| | | | |
|---------------------------------|--------------------------------------|-------------------------------------|-----------------------------------|
| IMPERIAL FEATURES PAGE B10-3 | IMPERIAL SPECIFICATION PAGE B10-6 | IMPERIAL NOMENCLATURE PAGE B10-9 | IMPERIAL SELECTION PAGE B10-12 |
|---------------------------------|--------------------------------------|-------------------------------------|-----------------------------------|



IMPERIAL LOCKPLATE KIT



The Lockplate Kits consists of:
 Lockplate
 2 Socket Head Capscrews
 2 Lockwashers

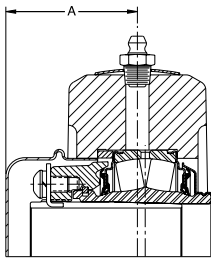
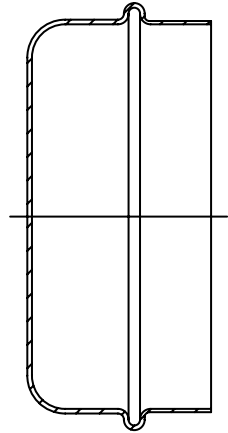
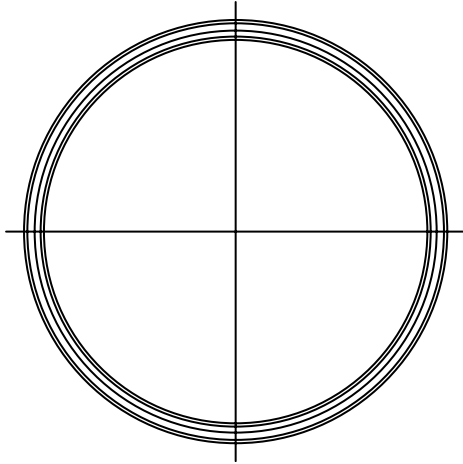


| Shaft Size Inch | Part Number |
|-----------------------------|----------------|
| 1-7/16 | 048925 |
| 1-11/16 | 048926 |
| 1-15/16 2 SM | 048927 |
| 2 LG 2-3/16 | 048928 |
| 2-3/8 2-7/16 | 048929 |
| 2-11/16 2-3/4 2-15/16 | 048930 |
| 3-7/16 | 048931 |
| 3-15/16 | 048932 |
| 4-7/16 | 048933 |
| 4-15/16 | 048934 |

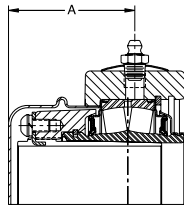
DIMENSION



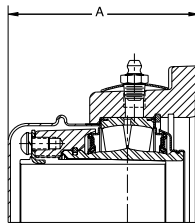
IMPERIAL End Cap



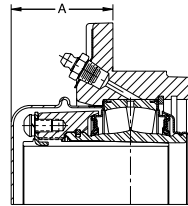
ISAF PILLOW BLOCK



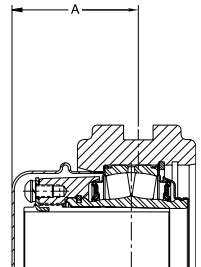
PILLOW BLOCK



FLANGE



PILOTED FLANGE



WS TAKE-UP

| | | | |
|---|--|---|---|
| <p>IMPERIAL FEATURES PAGE B10-3</p> | <p>IMPERIAL SPECIFICATION PAGE B10-6</p> | <p>IMPERIAL NOMENCLATURE PAGE B10-9</p> | <p>IMPERIAL SELECTION PAGE B10-12</p> |
|---|--|---|---|



End Caps For IMPERIAL, IMPERIAL-E and ISAF

| Shaft Size | Housing Design | | | |
|------------------|----------------|-------------|---------------|-------------|
| | IMPERIAL | | * E-IMPERIAL | |
| | Part # | Description | Part # | Description |
| 1-1/8 to 1-7/16 | 069960 | IPEC08 | 069960 | IPEC08 |
| 1-1/2 | 069960 | IPEC08 | 069961 | IPEC09 |
| 1-5/8 to 1-11/16 | 069961 | IPEC09 | 069961 | IPEC09 |
| 1-3/4 | 069961 | IPEC09 | 069962 | IPEC10 |
| 1-7/8 to 2 | 069962 | IPEC10 | 069962 | IPEC10 |
| 2-3/16 | 069963 | IPEC11 | 069963 | IPEC11 |
| 2-1/4 | 069963 | IPEC11 | 069964 | IPEC13 |
| 2-3/8 to 2-1/2 | 069964 | IPEC13 | 069964 | IPEC13 |
| 2 11/16 to 3 | 069965 | IPEC15 | 069965 | IPEC15 |
| 3-3/16 to 3-1/2 | 069966 | IPEC18 | 069966 | IPEC18 |
| 3-11/16 to 4 | 069967 | S2IPEC20 | 069967 | S2IPEC20 |
| 4-7/16 to 4-1/2 | 069968 | S2IPEC22 | 069968 | S2IPEC22 |
| 4-15/16 to 5 | 069969 | S2IPEC26 | 069969 | S2IPEC26 |

* End Covers for IMPERIAL with Type E dimensioned housing

“A” Dimension

| SHAFT SIZE (IN) | IMPERIAL Pillow Block | *IMPERIAL-E Pillow Block | IMPERIAL Piloted Flange | *IMPERIAL-E Piloted Flange | IMPERIAL Flange | *IMPERIAL-E Flange | Wide Slot Take-up | ISAF |
|--------------------------------------|-----------------------|--------------------------|-------------------------|----------------------------|-----------------|--------------------|-------------------|------|
| 1-1/8 thru 1-1/2 | 1.97 | 1.83 | 1.61 | 1.61 | 3.06 | 3.39 | 2.00 | 1.98 |
| *1-1/2 1- 5/8 1-11/16 1-3/4 | 2.16 | 2.20 | 1.77 | 1.77 | 3.27 | 4.01 | 2.13 | 2.14 |
| *1-3/4 1-7/8 1-15/16 2 | 2.25 | 2.00 | 1.86 | 1.86 | 3.41 | 3.89 | 2.19 | 2.29 |
| 2-3/16 2-1/4 | 2.41 | 2.47 | 1.94 | 1.94 | 3.63 | 4.47 | 2.36 | 2.40 |
| *2-1/4 2-3/8 2-7/16 2-1/2 | 2.44 | 2.44 | 2.09 | 2.09 | 3.95 | 4.63 | 2.44 | 2.65 |
| 2-11/16 thru 3 | 2.56 | 2.54 | 2.20 | 2.20 | 4.09 | 4.97 | 2.61 | 2.74 |
| 3-3/16 thru 3-1/2 | 2.94 | 2.91 | 2.78 | 2.78 | 4.73 | 5.65 | 2.94 | 3.18 |
| 3-11/16 thru 4 | 3.36 | 3.67 | 3.19 | 3.19 | 5.38 | 7.04 | 3.39 | 3.57 |
| 4-7/16 4-1/2 | 3.83 | 3.78 | 3.89 | 3.72 | N/A | 7.49 | 3.84 | 3.92 |
| 4-15/16 5 | 4.36 | 4.33 | 4.11 | 3.95 | N/A | N/A | 4.36 | 4.42 |

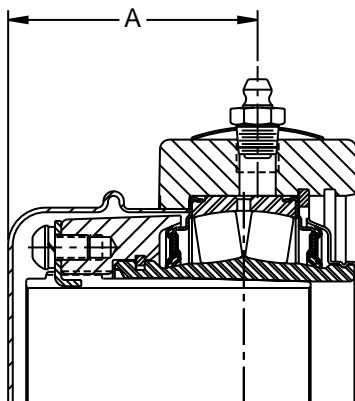
* IMPERIAL With Type E Dimensioned Housing

| | | | |
|---------------------------------|--------------------------------------|-------------------------------------|-----------------------------------|
| IMPERIAL FEATURES PAGE B10-3 | IMPERIAL SPECIFICATION PAGE B10-6 | IMPERIAL NOMENCLATURE PAGE B10-9 | IMPERIAL SELECTION PAGE B10-12 |
|---------------------------------|--------------------------------------|-------------------------------------|-----------------------------------|

DIMENSION



ISN End Cap



PILLOW BLOCK

| SHAFT SIZE (mm) | End Cover P/N | Description | "A" Dimension |
|-----------------|---------------|-------------|---------------|
| 30 | 069960 | IPEC08 | 49.5 |
| 35 | 069960 | IPEC08 | 49.5 |
| 40 | 069961 | IPEC09 | 55 |
| 45 | 069962 | IPEC10 | 58.3 |
| 50 | 069962 | IPEC10 | 58.3 |
| 55 | 069963 | IPEC11 | 61.7 |
| 60 | 069964 | IPEC13 | 66.3 |
| 65 | 069965 | IPEC15 | 70 |
| 70 | 069965 | IPEC15 | 70 |
| 75 | 069965 | IPEC15 | 70 |
| 80 | 069966 | S2IPEC18 | 78.3 |
| 85 | 069966 | S2IPEC18 | 78.3 |
| 90 | 069967 | S2IPEC20 | 91.2 |
| 100 | 069967 | S2IPEC20 | 91.2 |
| 110 | 069968 | S2IPEC22 | 97.7 |
| 115 | 069969 | S2IPEC26 | 111.4 |
| 125 | 069969 | S2IPEC26 | 111.4 |

| | | | |
|---------------------------------|--------------------------------------|-------------------------------------|-----------------------------------|
| IMPERIAL FEATURES PAGE B10-3 | IMPERIAL SPECIFICATION PAGE B10-6 | IMPERIAL NOMENCLATURE PAGE B10-9 | IMPERIAL SELECTION PAGE B10-12 |
|---------------------------------|--------------------------------------|-------------------------------------|-----------------------------------|

CONTENTS



UNIFIED™ SAF

Features / Benefits

| | |
|--|-------|
| DODGE UNIFIED SAF and SDAF Pillow Blocks | B11-3 |
| DODGE UNIFIED SAF with SPLIT-SPHER Bearing | B11-5 |
| SAF-XT Spherical Roller Bearings | B11-6 |
| SAFS | B11-7 |

| | |
|---------------------|-------|
| Specification | B11-8 |
|---------------------|-------|

| | |
|--------------------|-------|
| How To Order | B11-9 |
|--------------------|-------|

| | |
|--------------------|--------|
| Nomenclature | B11-10 |
|--------------------|--------|

| | |
|-----------------|--------|
| Selection | B11-16 |
|-----------------|--------|

Selection/Dimensions

| | |
|--|---------|
| USAF 500 | B11-30 |
| USAF SMART | B11-58 |
| SAF-XT and SAFS | B11-59 |
| SPLIT-SPHER™ | B11-76 |
| USDAF | B11-86 |
| USAF 600 | B11-98 |
| USAF 200 | B11-104 |
| USAF 300 | B11-116 |
| USAF Stabilizing Ring | B11-129 |
| USAF Housing Features | B11-130 |
| USAF Housing vs Seal Group Chart | B11-134 |

| | |
|-------------------------|---------|
| Part Number Index | INDEX-1 |
|-------------------------|---------|

| | |
|----------------------|----------|
| Key Word Index | INDEX-34 |
|----------------------|----------|

IMPERIAL - ISAF

UNIFIED SAF

International Bearings

Sleeve Bearing

SLEEVOIL

NOTES



IMPERIAL - ISAF

UNIFIED SAF

International Bearings

Sleeve Bearing

SLEEVOIL

FEATURES/BENEFITS



DODGE UNIFIED SAF and SDAF Pillow Blocks

BEARINGS

Spherical Roller Bearing - 22200, 22300, 23000, 23100 and 23200, tapered bore for adapter mount and straight bore for direct mount.

SPLIT-SPHER Bearing

Complete split replacement for an adapter mounted 22200. Compatible with UNIFIED SAF. Available in inch bores.

SHAFT SIZES

Available for shaft sizes 1-7/16" - 15-3/4" and 40 mm-140 mm in adapter mount. Additional sizes offered in direct mount. Pillow blocks are available in 200, 300, 500 and 600 series.

DIMENSIONS

UNIFIED SAF and SDAF pillow blocks match standard SAF and SDAF inch dimensions.

PLUS YOU GET BUILT-IN DESIGN ADVANCEMENTS.

With DODGE UNIFIED SAF and SDAF pillow blocks, you benefit from a housing that has capabilities for harsh environments that competitive pillow blocks do not have.



VIRTUALLY EVERY FEATURE YOU EVER WANTED IN YOUR PILLOW BLOCK

- Cast-in dimples locate drill holes for lube fittings, vents, sensors and mounting modifications.
- Housing base is threaded to accept four Grade 5 cap bolts for added strength. Cap bolts match base bolts for one-wrench installation.
- Standard housings have two oversized drains adaptable to circulating oil systems.
- Pry slots allow easy separation of the pillow block.

IMPERIAL - ISAF

UNIFIED SAF

International Bearings

Sleeve Bearing

SLEEVOIL

FEATURES/BENEFITS



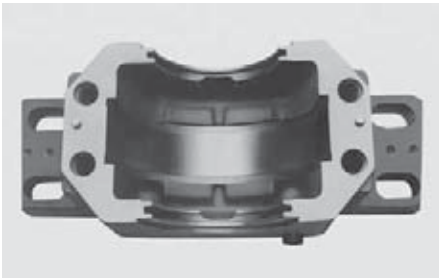
DODGE UNIFIED SAF and SDAF Pillow Blocks



Cast iron, closed-end housings offer greater protection in high pressure washdown environments. Available from stock.



Solid cast iron feet increase strength in both two and four-bolt styles.



Large capacity oil sump lowers operating temperatures, undercut bearing seat allows full lateral travel of expansion bearing, prevents stabilizer ring from binding, makes installation easy.



Oil return slots are cast into the interior seal grooves to keep lubricants in. This allows oil in the seal grooves to return to the oil sump instead of leaking.



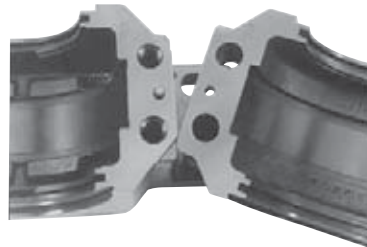
Standard modifications for wet and harsh environments include nylon coating, epoxy paints and nickel plating, as well as stainless steel hardware.



New drop-in TRIPLE-TECT Seal makes seal installation easier



Exclusive oil-equalization passage simplifies maintenance. Pillow block can be drained completely from either side.



Offset dowels with matched numbers on cap and base joint simplify correct assembly.

FEATURES/BENEFITS



DODGE UNIFIED SAF with SPLIT-SPHERE Bearing

SPLIT-SPHER BEARINGS FROM DODGE INCREASE PRODUCTION AND REDUCE DOWNTIME

The SPLIT-SPHER bearing is quick to install. Simplified bearing installation puts equipment back into operation faster and keeps production moving.

HERE'S WHY!

DODGE offers a split-race spherical bearing that fits SAF housings and replaces bearing and adapter assemblies. It's a real cost-saver in every case where the shaft must be stripped of components to permit sliding the new bearing onto its proper shaft location.

DIMENSIONS ARE STANDARD.

The DODGE SPLIT-SPHER bearing has the same O.D. dimensions as a standard spherical bearing. This means you can use a SPLIT-SPHER pillow block on the inaccessible end of a shaft and a standard pillow block on the accessible end. DODGE offers the only split-race bearings made to standard SAF pillow block dimensions.

Also, if needed, the backing dimension of the SPLIT-SPHER block can be increased by shimming to meet the requirements of any roller bearing it replaces.

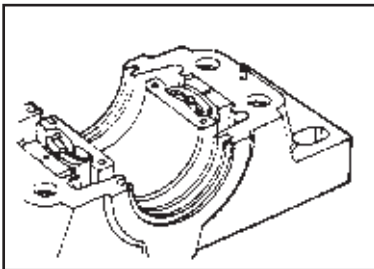
REDUCE REPLACEMENT TIME UP TO 50%.

To replace a standard spherical roller bearing with a SPLIT-SPHER insert, remove the cap, elevate the shaft enough to support the load and burn off the failed bearing and adapter with a torch.

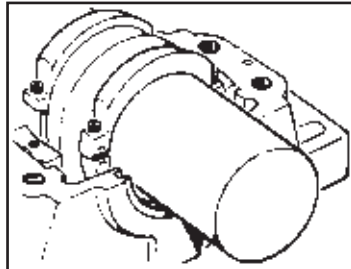
The DODGE SPLIT-SPHER replacement lower halves can then be slipped under the shaft, along with the split seals. Bolt the upper halves in place, lower the shaft and replace the cap. There's no need to remove any other shaft-mounted components or move motors and other bulky machinery.



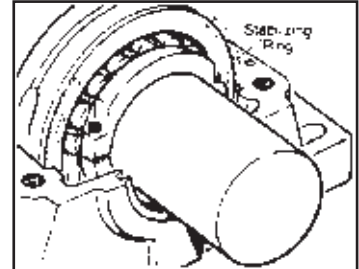
The SPLIT-SPHERE insert is easy to install!



1. Slightly elevate shaft, cut off old bearing and slip lower halves of SPLIT-SPHERE rings and roller assembly beneath shaft



2. Bolt upper half of inner ring to lower half



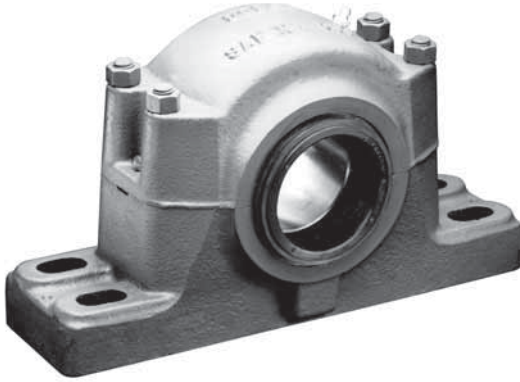
3. Place upper half of roller assembly in position and bolt on upper half of outer ring. Lower shaft and replace housing cap.

FEATURES/BENEFITS

DODGE®

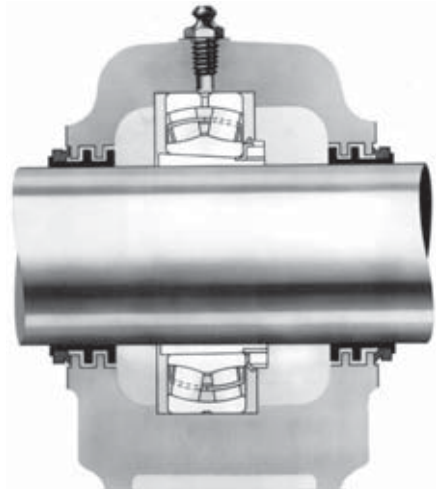


SAF-XT Spherical Roller Bearings



The SAF-XT Pillow Block Housing is designed for typical SAF dimensional interchangeability, complete with such desirable features as 4-bolt caps, cap removal pry slots, elongated bolt holes, and dimpled feet for doweling. In addition to these features the SAF-XT housing also incorporates a better grease purging/sealing system for extra protection of the bearing in a hostile environment.

The SAF-XT pillow block has only one grease fitting. Bearings with costly, comparably effective auxiliary seals have up to three grease fittings. The single fitting speeds up lubrication, reduces chance for voids. Complete fill, bearing action, and configuration of reservoir assure maximum purging effectiveness. Grease relief channels result in self-centering positive contact seal. These factors make SAF-XT blocks easy to lubricate.



FEATURES/BENEFITS



SAFS



DODGE SAFS cast steel pillow blocks mount 22200K series spherical roller bearings on 2-7/16" - 8" shafts.

These pillow blocks are well suited for applications requiring either grease or oil lubrication where adapter mounting is preferred and limited thrust loads are experienced. Cast steel housings provide greater resistance to impact and shock loading than the more economical cast iron pillow blocks. (SPLIT-

SPHER bearing and seals may also be installed in SAFS housings. See page B11-76 through B11-85 .)

SAFS pillow blocks are furnished complete with the TRIPLE-TECT combination labyrinth and face rubbing seals. LER triple ring seals are available as an alternate seal for SAFS pillow blocks. Where required, purgeable auxiliary seals and end closures are also available.

IMPERIAL - ISAF

UNIFIED SAF

International Bearings

Sleeve Bearing

SLEEVOIL



SPECIFICATION

IMPERIAL - ISAF

Housing

Grade 30 cast iron is the standard housing material except on SAFS housings. When steel housings are required, the SAFS bearing line is recommended.

SPECIAL DRILLING

The standard offering includes a W33 lube hole and fitting, along with a cap vent hole. UNIFIED Bearings also come standard with dual oversized drain holes in the base. Additional holes may be drilled to meet customer specifications for lube, vent and sensor locations. To order, specify holes required from chart on page B11-130 and add to the end of the description. Order by description instead of part number. Minimum order quantities will be required for this special drilling.

UNIFIED SAF

SPECIAL FINISHES

A variety of finishes are available for extra corrosion resistance. The standard finish is a water based U.S.D.A. approved paint. When special finishes are specified, DODGE recommends the use of stainless steel cap bolts and grease fittings. To order, specify the "type of finish" required and "stainless bolts and fittings" at the end of the description. Order by description for special finishes.

BEARINGS

Standard bearings offered are 22200 and 22300 series metal caged, double row, spherical bearings with C3 fits in both direct and adapter mounts (shaft sizes larger than 8" are standard with C0 fit). Other fit bearings are available as options, i.e. C0, C4 and C5. Other double row spherical bearing series are available on request including 23000 and 23200 in both direct and adapter mount. Self aligning ball bearing series 1200, 1300 and 2200 in both adapter and direct mount are available on request. To order, specify bearing "series" or "fit" at the end of the description.

For applications requiring modifications not listed, we encourage you to contact our Application Engineering Department for Bearings at 864-284-5700 or Fax 864-281-2317 during the hours of 8:00 a.m. and 5:00 p.m. Eastern time.

International Bearings

Sleeve Bearing

SLEEVOIL

| | | | |
|---------------------------------|----------------------------|-----------------------------|-------------------------------------|
| FEATURES/BENEFITS PAGE B11-3 | HOW TO ORDER PAGE B11-9 | NOMENCLATURE PAGE B11-10 | SELECTION/DIMENSIONS PAGE B11-30 |
|---------------------------------|----------------------------|-----------------------------|-------------------------------------|

HOW TO ORDER



Inch

DODGE UNIFIED Spherical Bearings are housed and sealed general purpose, high capacity double row spherical roller bearings. Bearings may be mounted on shafts with adapters, or they may be mounted directly, using interference fits.

The standard material used in housings is ASTM A48 Class 30 Cast iron. Steel versions are also available in the SAFS line on page B11-65. Housings may be modified to suit customer requirements for mounting, venting, lubricating or monitoring of the bearing. Housing designs are available for performance in extreme harsh environments through the use of cast closed ends, nylon coating and stainless steel hardware.

A wide variety of standard seals is available including labyrinth and rubbing seals and combinations of the two. DODGE TRIPLE-TECT* and Drop-in TRIPLE-TECT* seals are recommended for general purpose applications because of their superior combination sealing action. More information on seals is shown on page B11-23.

Locking devices, including tapered adapters and locking washers and nuts, are available to accommodate both commercial and precision machined shafting.

How to Order Dodge UNIFIED Bearings

There are two ways to specify DODGE Bearings. Most of the product offerings have part numbers, with listings shown throughout this catalog. Use of part numbers insures accurate order processing.

When part numbers are not shown, the product may be specified by description. This method is used when ordering units that include modifications/options. To order by description, use the nomenclature key shown on page B11-10 and add any special instructions to the end of the description for options not covered by the nomenclature.

* Patent numbers 4348067 and 5259628

| | | | |
|---------------------------------|-----------------------------|-----------------------------|-------------------------------------|
| FEATURES/BENEFITS PAGE B11-3 | SPECIFICATION PAGE B11-8 | NOMENCLATURE PAGE B11-10 | SELECTION/DIMENSIONS PAGE B11-30 |
|---------------------------------|-----------------------------|-----------------------------|-------------------------------------|



NOMENCLATURE



Complete Pillow Block - Inch

P2B - 515 - USAF - 207 - TT

| HOUSING STYLE | BEARING SERIES AND HOUSING SIZE | TYPE OF MOUNTED BEARING | SIZE INCHES | SEAL TYPE |
|--|---|---|---|--|
| P2B - 2 Bolt Base Pillow Block, Cast Iron, Both Ends Open | 2XX - For Direct Mount 22200 Series Bearing | USAF - UNIFIED SAF Pillow Block (Inch Dimensions) | 207 - Inches & 16ths 2 = 2" 07 = 7/16" | TT - TRIPLE-TECT LER - Metal Labyrinth SS - Split Non-Metallic Labyrinth |
| P4B - 4 Bolt Base Pillow Block, Cast Iron, Both Ends Open | 3XX - For Direct Mount 22300 Series Bearing | USDAF - UNIFIED SDAF Pillow Block | 107 = 1-7/16" 111 = 1-11/16" 115 = 1-15/16" | TTDN - Drop-In TRIPLE-TECT |
| CP2B - 2 Bolt Base Pillow Block, Cast Iron, One End Closed | 5XX - For Adapter Mounted 22200K Series Bearing | SS - SPLIT-SPHER Pillow Block | 203 = 2-3/16" 207 = 2-7/16" 208 = 2-1/2" 211 = 2-11/16" 212 = 2-3/4" 215 = 2-15/16" 300 = 3" 303 = 3-3/16" 307 = 3-7/16" 308 = 3-1/2" 315 = 3-15/16" 400 = 4" 403 = 4-3/16" 407 = 4-7/16" 408 = 4-1/2" 415 = 4-15/16" 500 = 5" 503 = 5-3/16" 507 = 5-7/16" 508 = 5-1/2" 515 = 5-15/16" 600 = 6" 607 = 6-7/16" 608 = 6-1/2" 615 = 6-15/16" 700 = 7" 703 = 7-3/16" 708 = 7-1/2" 715 = 7-15/16" 800 = 8" 807 = 8-7/16" 808 = 8-1/2" 815 = 8-15/16" 900 = 9" 907 = 9-7/16" 908 = 9-1/2" 915 = 9-15/16" 1000 = 10" 1007 = 10-7/16" 1008 = 10-1/2" | AUX - Auxiliary (Taconite) EC - End Closure |
| CP4B - 4 Bolt Base Pillow Block, Cast Iron, One End Closed | 6XX - For Adapter Mounted 22300K Series Bearing | | | |
| | 0XX - For Adapter Mounted 23000K Series Bearing | | | |

For monitor equipped pillow blocks a C preceding the pillow block designation indicates closed ends

| | | | |
|---------------------------------|-----------------------------|----------------------------|-------------------------------------|
| FEATURES/BENEFITS PAGE B11-3 | SPECIFICATION PAGE B11-8 | HOW TO ORDER PAGE B11-9 | SELECTION/DIMENSIONS PAGE B11-30 |
|---------------------------------|-----------------------------|----------------------------|-------------------------------------|

NOMENCLATURE



Housing Only (Housing and Stab Ring) Inch

H4S - 515 - USAF

| HOUSING STYLE | HOUSING TYPE AND SIZE | TYPE OF MOUNTED BEARING HOUSING |
|--|--|---|
| H2S - 2 Bolt Base Pillow Block, Cast Iron, Both Ends Open | 2XX - For Direct Mount 22200 Series Bearing | USAF - UNIFIED SAF Cast Iron Pillow Block Housing (Inch Dimensions) |
| H4S - 4 Bolt Base Pillow Block, Cast Iron, Both Ends Open | 3XX - For Direct Mount 22300 Series Bearing | USDAF - UNIFIED SDAF Cast Iron Pillow Block Housing (Inch Dimensions) |
| CH2S - 2 Bolt Base Pillow Block, Cast Iron, One End Closed | 5XX - For Adapter Mounted 22200K Series Bearing | |
| | 6XX - For Adapter Mounted 22300K Series Bearing | |
| | 0XX - For Adapter Mounted 23000K Series Bearing | |
| | 31XX - For Adapter Mounted 23100K Series Bearing | |
| | 32XX - For Adapter Mounted 23200K Series Bearing | |

IMPERIAL - ISAF

UNIFIED SAF

International Bearings

Sleeve Bearing

SLEEVOIL

| | | | |
|---------------------------------|-----------------------------|----------------------------|-------------------------------------|
| FEATURES/BENEFITS PAGE B11-3 | SPECIFICATION PAGE B11-8 | HOW TO ORDER PAGE B11-9 | SELECTION/DIMENSIONS PAGE B11-30 |
|---------------------------------|-----------------------------|----------------------------|-------------------------------------|



NOMENCLATURE



Housing Assembly (Housing and Stab Ring and Seals) - Inch

FSAF - 518 X 3-15/16 TTDN CLSD

| HOUSING STYLE | HOUSING TYPE AND SIZE | SHAFT SIZE INCHES | SEAL TYPE | OTHER |
|---|--|-------------------|----------------------------|----------------------------|
| SAF - 2 Bolt pillow block housing (4 bolt when no 2 bolt offered) | 2XX - For Direct Mount 22200 Series Bearing | | TT - TRIPLE-TECT | Blank - Both Ends Open |
| FSAF - 4 bolt pillow block housing when 2 bolt offered | 3XX - For Direct Mount 22300 Series Bearing | | LER - Metal Labyrinth | CLSD - Cast Closed One End |
| SDAF - 4 Bolt pillow block housing | 5XX - For Adapter Mounted 2200K Series Bearing | | TTDN - Drop-In TRIPLE-TECT | |
| | 6XX - For Adapter Mounted 22300K Series Bearing | | | |
| | 0XX - For Adapter Mounted 23000K Series Bearing | | | |
| | 31XX - For Adapter Mounted 23100K Series Bearing | | | |
| | 32XX - For Adapter Mounted 23200K Series Bearing | | | |

IMPERIAL - ISAF

UNIFIED SAF

International Bearings

Sleeve Bearing

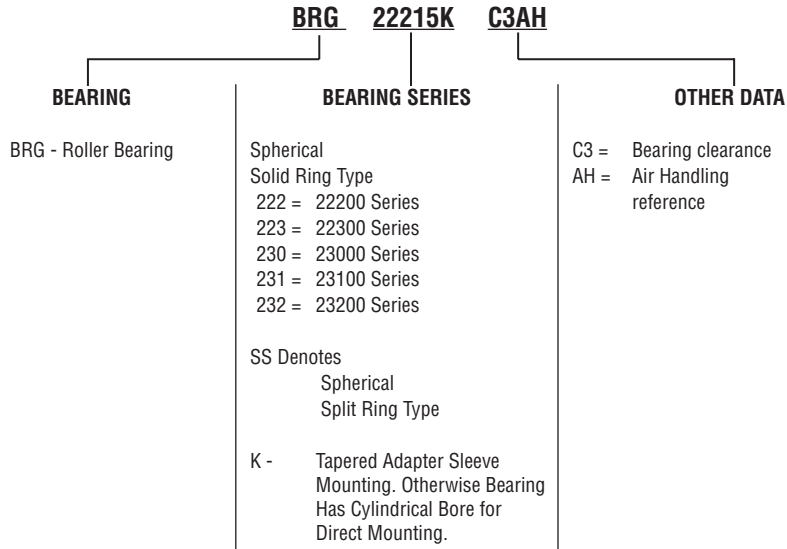
SLEEVOIL

| | | | |
|---------------------------------|-----------------------------|----------------------------|-------------------------------------|
| FEATURES/BENEFITS PAGE B11-3 | SPECIFICATION PAGE B11-8 | HOW TO ORDER PAGE B11-9 | SELECTION/DIMENSIONS PAGE B11-30 |
|---------------------------------|-----------------------------|----------------------------|-------------------------------------|

NOMENCLATURE



Bearing



IMPERIAL - ISAF

UNIFIED SAF

International Bearings

Sleeve Bearing

SLEEVOIL

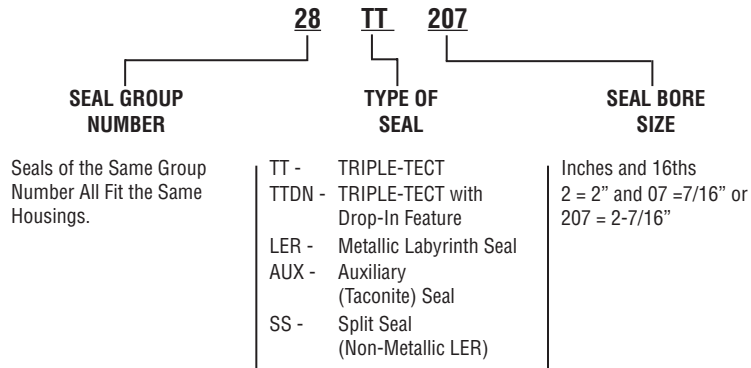
| | | | |
|---------------------------------|-----------------------------|----------------------------|-------------------------------------|
| FEATURES/BENEFITS PAGE B11-3 | SPECIFICATION PAGE B11-8 | HOW TO ORDER PAGE B11-9 | SELECTION/DIMENSIONS PAGE B11-30 |
|---------------------------------|-----------------------------|----------------------------|-------------------------------------|



NOMENCLATURE



Seals - Inch



| Seal Group Number & Shaft Size | Fits Housing Sizes | Seal Group Number & Shaft Size | Fits Housing Sizes | Seal Group Number & Shaft Size | Fits Housing Sizes |
|--------------------------------|---------------------|--------------------------------|---------------------|--------------------------------|--------------------|
| 08-107 | 308, 509 & 609 | 50-315 | 522 & 622 | 78-715 | 544 |
| 10-111 | 309, 510 & 610 | 50-400 | 522 & 622 | 78-800 | 544 |
| 12-114 | 310 | 52-403 | 222, 322, 524 & 624 | 80-805 | 244 |
| 12-115 | 308, 511 & 611 | 54-407 | 526 & 626 | 80-806 | 238 & 338 |
| 14-201 | 311 | 54-408 | 220, 320, 526 & 626 | 82-812 | 240 |
| 14-202 | 309 | 54-409 | 224 & 324 | 84-907 | 052 |
| 14-203 | 513 & 613 | 56-414 | 222 & 322 | 84-908 | 052 |
| 14-204 | 312 | 56-415 | 226, 326, 528 & 628 | 84-909 | 244 |
| 18-206 | 310 | 56-500 | 528 & 628 | 90-807 | 048 |
| 20-207 | 515 & 615 | 58-503 | 530 & 630 | 90-808 | 048 |
| 20-208 | 515 & 615 | 58-505 | 224, 324, 228 & 328 | 90-815 | 048 |
| 22-207 | 313 | 60-507 | 532 & 632 | 90-900 | 048 |
| 22-209 | 311 | 60-508 | 532 & 632 | 92-915 | 056 |
| 22-210 | 314 | 62-512 | 230 & 330 | 92-1000 | 056 |
| 24-211 | 516 & 616 | 62-514 | 226 & 236 | 94-1007 | 056L |
| 24-212 | 516 & 616 | 64-515 | 534 & 634 | 94-1008 | 056L |
| 24-213 | 215 & 315 | 64-600 | 534 & 634 | 96-1015 | 060, 3160, 3260 |
| 26-214 | 312 | 64-601 | 232 & 332 | 96-1100 | 060, 3160, 3260 |
| 28-215 | 517 & 617 | 66-604 | 228 & 328 | 98-1107 | 064 |
| 28-300 | 216, 316, 517 & 617 | 68-607 | 234, 334 & 536 | 98-1108 | 064 |
| 28-301 | 313 | 68-608 | 536 | 100-1115 | 064L, 3164, 3264 |
| 32-303 | 217 & 317 | 70-610 | 230 & 330 | 100-1200 | 064L, 3164, 3264 |
| 32-304 | 314 | 72-614 | 236 | 102-1207 | 068, 168, 268 |
| 34-303 | 518 | 72-615 | 538 & 638 | 104-1215 | 072 |
| 36-306 | 218 | 72-700 | 232, 332, 538 & 638 | 104-1300 | 072 |
| 38-307 | 215 & 315 | 74-703 | 540 | 106-1307 | 072L, 3172 |
| 38-310 | 216 & 316 | 74-704 | 238 & 338 | 106-1308 | 072L, 3172 |
| 42-315 | 217 & 317 | 76-707 | 234 & 334 | 108-1315 | 076, 3176 |
| 44-402 | 218 | 76-708 | 544S | 108-1400 | 076, 3176 |
| 46-307 | 520 & 620 | 76-710 | 240 | 110-1500 | 80 |
| 46-308 | 520 & 620 | 78-713 | 236 | 112-1512 | 84 |
| 50-313 | 220 & 320 | | | | |

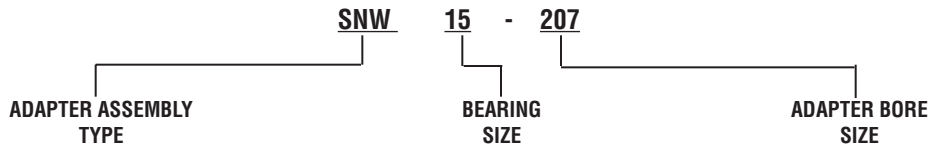
Note: For bore size interchange see chart on page B11-13.

| | | | |
|---------------------------------|-----------------------------|----------------------------|-------------------------------------|
| FEATURES/BENEFITS PAGE B11-3 | SPECIFICATION PAGE B11-8 | HOW TO ORDER PAGE B11-9 | SELECTION/DIMENSIONS PAGE B11-30 |
|---------------------------------|-----------------------------|----------------------------|-------------------------------------|

NOMENCLATURE



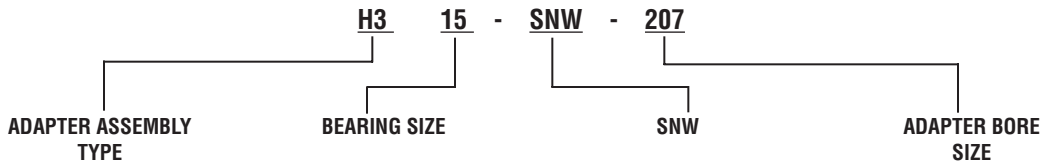
Adapter Assemblies - Inch



SNW = Sleeve, Nut and Washer Assembly thru 44 (8 inch) Size
 SNP = Sleeve, Nut and Lockplate Assembly 048 (8-7/16") and Larger Sizes

Up to 8" shaft size last two digits of bearing numerical description.
 For larger sizes last four digits.

Inches and 16ths
 2 = 2" and 07 = 7/16" or
 207 = 2-7/16"
 See size listing page B11-10



H3 Adapter Series for 22200K Series Bearings thru 4" Bore Size
 H31 Adapter Series for 22200K & 23100K Series Bearings Greater Than 4"
 H23 Adapter Series for 22300K Series Bearings
 H32 Adapter Series for 23200K Series Bearings

Last two digits of bearing numerical description.

SNW = Sleeve, Nut and Washer Assembly thru 544 (8") Size
 SNP = Sleeve Nut and Plate Assembly from 048 thru 084, 3156 thru 3176, & 3252 thru 3268

Inches and 16ths
 2 = 2" and 07 = 7/16" or 207 = 2-7/16"
 See size listing page B11-10

IMPERIAL - ISAF

UNIFIED SAF

International Bearings

Sleeve Bearing

SLEEVOIL

| | | | |
|---------------------------------|-----------------------------|----------------------------|-------------------------------------|
| FEATURES/BENEFITS PAGE B11-3 | SPECIFICATION PAGE B11-8 | HOW TO ORDER PAGE B11-9 | SELECTION/DIMENSIONS PAGE B11-30 |
|---------------------------------|-----------------------------|----------------------------|-------------------------------------|



SELECTION

UNIFIED Pillow Block - Spherical Roller Bearings

(USAF 500, 600, 200, 300 SERIES AND USDAF 23000, 23100, 23200)

DODGE UNIFIED Spherical Roller Bearings have the capacity to carry heavy radial loads and combined radial and thrust loads. The maximum recommended load which can be applied is limited by various components in the system such as bearing, housing, shaft, shaft attachment, speed and life requirements as listed in this catalog. DODGE UNIFIED Spherical Roller Bearings have been applied successfully even when these limits have been exceeded under controlled operating conditions. Contact DODGE Application Engineering (864-284-5700) for applications which exceed the recommendations of this catalog.

L₁₀ Hours Life - The life which may be expected from at least 90% of a given group of bearings operating under identical conditions.

$$L_{10} \text{ Life, Hours} = \left(\frac{C}{P}\right)^{0.3} \times \left(\frac{16667}{\text{RPM}}\right)$$

Where: C = Dynamic Capacity (Table 1, page B11-19 for USAF) lbs.

P = Equivalent Radial Load, lbs.

GENERAL

Heavy Service - For heavy shock loads, frequent shock loads, or severe vibrations, add up to 50% (according to severity of conditions) to the Equivalent Radial Load to obtain a Modified Equivalent Radial Load. Consult DODGE Application Engineering for additional selection assistance.

Thrust load values shown in the table below are recommended as a guide for general applications that will give adequate L₁₀ life. Where substantial radial loads are also present, it is advisable to calculate actual L₁₀ life to assure that it meets the requirements.

| RPM | 20-200 | 201-2000 | Over 2000 |
|-------------------------|--------|----------|-----------|
| RECOMMENDED THRUST LOAD | C/20 | C/40 | C/60 |

The shaft tolerances recommended below are adequate for adaptor mounted bearings. Since the allowable load, especially at a low speed, is very large, the shaft should be checked to assure adequate shaft strength.

The magnitude and direction of both the thrust and radial load must be taken into account when selecting a housing. **When pillow blocks are utilized, heavy loads should be directed through the base. Where uplift loads are involved, see B11-23 and for maximum values.** Where a load pulls the housing away from the mounting base, both the hold-down bolts and housing must be of adequate strength. Auxiliary load carrying devices such as shear bars are advisable for side or end loading of plummer blocks.

NOTE: Spherical bearings require a radial load at least equal to the thrust load for proper operation ($F_a/F_r = 1$). If the thrust load exceeds this limit, consult Application Engineering.

SHAFT TOLERANCES

| SHAFT SIZE | SHAFT TOLERANCE, inches |
|-------------------|-------------------------|
| Up To 1-1/2" | + .000 - .002" |
| 1-9/16 to 2-1/2" | + .000 - .003" |
| 2-5/8 to 4" | + .000 - .004" |
| 4-3/16 to 6" | + .000 - .005" |
| 6-7/16" and above | + .000 - .006" |

* Use the smaller of this value or the adaptor maximum allowable thrust load list in Table 1.

| | | | |
|---------------------------------|----------------------------|-----------------------------|-------------------------------------|
| FEATURES/BENEFITS PAGE B11-3 | HOW TO ORDER PAGE B11-9 | NOMENCLATURE PAGE B11-10 | SELECTION/DIMENSIONS PAGE B11-30 |
|---------------------------------|----------------------------|-----------------------------|-------------------------------------|

SELECTION



UNIFIED Pillow Block - Spherical Roller Bearings

SELECTING BEARING SUPPORTING RADIAL LOADS ONLY

1. Define L_{10} Life Hours desired.
2. Establish bearing radial load, F_R
 $F_R = P$ for Pure Radial Load Conditions
 $P =$ Equivalent radial load, lbs
 The DODGE program BEST™★ can be used to find application loads.
3. Establish RPM.

Using the easy selection Table 1, page B11-19, under the RPM column, find the equivalent radial load that equals or is higher than the application radial load for the desired life. The shaft size on the far left will be the minimum shaft size that you can use for your application. If the desired life is different than the values shown on the chart, use alternate Method A shown below.

- Example:
1. L_{10} Life = 30,000 Hours
 2. Radial load = 4000 lbs.
 3. RPM = 1,000

At the intersection of the 950 RPM column and the 30,000 hours L_{10} life row, the equivalent radial load of 4555 lbs. exceeds the 4000 lbs. application radial load for shaft size 1-11/16 adapter mount (223110K series bearing) and for shaft size 50 mm direct mount (22310 series bearing). Also, the equivalent radial load of 4070 lbs. exceeds the 4000 lbs. application radial load for shaft size 2-3/16" adapter mount (22213K series bearing) and for shaft size 65mm direct mount (22213 series bearing). Therefore, the follow bearings can be used to meet the application conditions of the above example:

- | | |
|---------------------------|----------------|
| 1. 1-11/16" adapter mount | 22310K bearing |
| 2. 50 mm direct mount | 22310 bearing |
| OR | |
| 3. 2-3/16" adapter mount | 22213K bearing |
| 4. 65 mm direct mount | 22213 bearing |

ALTERNATE METHOD A - SELECTING A BEARING FOR AN L_{10} LIFE VALUE NOT SHOWN IN THE EASY SELECTION CHART.

The L_{10} life equation can be rearranged so that the bearing dynamic capacity C is identified in terms of L_{10} , RPM and P

$$C = \left(\frac{L_{10} \times \text{RPM}}{16667} \right)^{0.3} \times P$$

($P = F_R$ for Pure Radial Load Conditions)

Since the L_{10} , RPM and P are known, solve for C . Select from the dynamic capacity column on Table 1, page B11-19 the C value equal to or greater than the C value just calculated. The bore size on the far left represents the minimum shaft size selection. Check that the application RPM does not exceed the MAX. RPM on Table 1, page B11-19. Also check that the radial load does not exceed the Maximum Allowable Slip Fit Radial Load shown on Table 1. When selecting an L_{10} life of less than 30,000 hours, particular attention must be paid to shaft deflection and proper lubricant selection.

★ The DODGE Bearing Evaluation and Selection Technique (BEST) is a menu driven computer program that calculates bearing loads, fatigue life and operating temperature for a two bearing shaft system based on user supplied input parameters. This interactive program is available at www.ptwizard.com under the Product Section area.

| | | | |
|---------------------------------|----------------------------|-----------------------------|-------------------------------------|
| FEATURES/BENEFITS PAGE B11-3 | HOW TO ORDER PAGE B11-9 | NOMENCLATURE PAGE B11-10 | SELECTION/DIMENSIONS PAGE B11-30 |
|---------------------------------|----------------------------|-----------------------------|-------------------------------------|



SELECTION

UNIFIED Pillow Block - Spherical Roller Bearings

SELECTING BEARINGS SUPPORTING COMBINATION RADIAL AND THRUST LOADS

When a bearing supports both a radial load and a thrust load, the loading on the two rows is shared unequally depending on the ratio of thrust to radial load. The use of the X (radial factor) and Y (thrust factor) from Table 1, page B11-19 converts the applied thrust load and radial loads to an equivalent radial load having the same effect on the life of the bearing as a radial load of this magnitude.

Equation 1

The equivalent radial load $P = XF_R + YF_A$

Where:

- P = Equivalent radial load, lbs.
- F_R = Radial load, lbs.
- F_A = Thrust (axial) load, lbs.
- e** = Thrust load to radial load factor (Table 1)★
- X = Radial load factor (Table 1)★
- Y = Thrust load factor (Table 1)★

Calculate F_A/F_R and compare to **e** for the selected bore size. Determine X and Y from Table 1 depending on

whether F_A/F_R is equal to or less than **e**, or F_A/F_R is greater than **e**. Substitute all known values into the equivalent radial load equation. P (equivalent radial load) can be used in the life formula to determine L_{10} life in hours, or it can be compared to the allowable equivalent radial load ratings for the speed and hours life desired in the easy selection.

SELECTING BEARINGS SUPPORTING ONLY THRUST LOADS

Spherical Roller Bearings generally are not recommended for pure thrust load applications. They will perform satisfactorily under very light pure thrust loads. Consult DODGE Application Engineering (864-284-5700) or FAX (864-281-2317) during the hours of 8:00 a.m. and 5:00 p.m. Eastern Time.

AXIAL EXPANSION CAPABILITY

Axial expansion capability for UNIFIED SAF 500, 600, 200 and 300 pillow blocks is shown on B11-29. DODGE supplies all UNIFIED pillow block housings with the appropriate stabilizing ring. When the stabilizing ring is used, the pillow block becomes a non-expansion pillow block. Not using the stabilizing ring allows shaft and bearing axial expansion. Proper mounting of the stabilizing ring is shown on housing dimension pages.

IMPERIAL - ISAF

UNIFIED SAF

International Bearings

Sleeve Bearing

SLEEVOIL

| | | | |
|---------------------------------|----------------------------|-----------------------------|-------------------------------------|
| FEATURES/BENEFITS PAGE B11-3 | HOW TO ORDER PAGE B11-9 | NOMENCLATURE PAGE B11-10 | SELECTION/DIMENSIONS PAGE B11-30 |
|---------------------------------|----------------------------|-----------------------------|-------------------------------------|

SELECTION



UNIFIED Pillow Block - Spherical Roller Bearings

Table 1: Radial & Thrust Factors For USAF Spherical Bearings

| Shaft Size | | Bearing Series | e | FA/FR ≤ e | | FA/FR > e | | Adapter Maximum Allowable Thrust Load Pound † | Dynamic Capacity (C) Pounds | Static Capacity (Co) Lbs. | Maximum RPM | |
|------------------------|-----------------|----------------|-----|-----------|-----|-----------|-----|---|-----------------------------|---------------------------|-------------|------|
| Adapter Mounted Inches | Direct Mount mm | | | X | Y | X | Y | | | | Grease | Oil |
| - | 40 | 22308 | .36 | 1 | 1.9 | 0.67 | 2.8 | - | 35,500 | 33,500 | 4300 | 5300 |
| 1-7/16 | --- | 22209 | .26 | 1 | 2.6 | 0.67 | 3.9 | 698 | 24,500 | 23,600 | 5600 | 7000 |
| | 45 | 22309 | .36 | 1 | 1.9 | 0.67 | 2.8 | 1092 | 42,500 | 41,500 | 3800 | 4800 |
| 1-11/16 | --- | 22210 | .24 | 1 | 2.8 | 0.67 | 4.2 | 775 | 26,000 | 26,500 | 5300 | 6700 |
| | 50 | 22310 | .36 | 1 | 1.9 | 0.67 | 2.8 | 1348 | 51,000 | 50,000 | 3400 | 4300 |
| 1-15/16 | --- | 22211 | .23 | 1 | 2.9 | 0.67 | 4.4 | 927 | 31,500 | 32,500 | 4500 | 5600 |
| | 55 | 22311 | .36 | 1 | 1.9 | 0.67 | 2.8 | 1672 | 60,000 | 58,500 | 3200 | 4000 |
| | 60 | 22312 | .35 | 1 | 1.9 | 0.67 | 3 | - | 69,500 | 69,500 | 2800 | 3600 |
| 2-3/16 | --- | 22213 | .24 | 1 | 2.8 | 0.67 | 4.2 | 1359 | 45,500 | 47,500 | 3800 | 4500 |
| | 65 | 22313 | .34 | 1 | 2 | 0.67 | 3 | 2104 | 78,000 | 81,500 | 2600 | 3400 |
| | 70 | 22314 | .34 | 1 | 2 | 0.67 | 3 | - | 86,500 | 86,500 | 2400 | 3200 |
| 2-7/16 | 75 | 22215 | .22 | 1 | 3.1 | 0.67 | 4.6 | 1568 | 48,000 | 53,000 | 3400 | 4300 |
| 2-1/2 | | 22315 | .34 | 1 | 2 | 0.67 | 3 | 2782 | 100,000 | 102,000 | 2200 | 3000 |
| 2-11/16 | 80 | 22216 | .22 | 1 | 3.1 | 0.67 | 4.7 | 1780 | 56,000 | 60,000 | 3200 | 4000 |
| 2-3/4 | | 22316 | .34 | 1 | 2 | 0.67 | 3 | 3128 | 112,000 | 114,000 | 2200 | 3000 |
| 2-15/16 | 85 | 22217 | .22 | 1 | 3.1 | 0.67 | 4.5 | 2063 | 68,000 | 73,500 | 3000 | 3800 |
| 3 | | 22317 | .33 | 1 | 2 | 0.67 | 3 | 3438 | 122,000 | 125,000 | 2000 | 2800 |
| 3-3/16 | 90 | 22218 | .23 | 1 | 2.9 | 0.67 | 4.3 | 2429 | 78,000 | 85,000 | 2600 | 3400 |
| 3-7/16 | 100 | 22220 | .24 | 1 | 2.8 | 0.67 | 4.2 | 3102 | 96,500 | 106,000 | 2200 | 3000 |
| 3-1/2 | | 22320 | .34 | 1 | 2 | 0.67 | 3 | 4920 | 183,000 | 208,000 | 1700 | 2200 |
| 3-15/16 | 110 | 22222 | .25 | 1 | 2.7 | 0.67 | 4 | 3931 | 122,000 | 134,000 | 2000 | 2800 |
| 4 | | 22322 | .33 | 1 | 2.1 | 0.67 | 3.1 | 5934 | 212,000 | 240,000 | 1500 | 1900 |
| 4-3/16 | 120 | 22224 | .25 | 1 | 2.7 | 0.67 | 4 | 4693 | 143,000 | 166,000 | 1900 | 2400 |
| 4-7/16 | | 22324 | .33 | 1 | 2.1 | 0.67 | 3.1 | 6959 | 240,000 | 265,000 | 1400 | 1800 |
| 4-7/16 | 130 | 22226 | .26 | 1 | 2.6 | 0.67 | 3.9 | 5610 | 170,000 | 200,000 | 1800 | 2200 |
| 4-1/2 | | 22326 | .33 | 1 | 2.1 | 0.67 | 3.1 | 8152 | 280,000 | 310,000 | 1300 | 1700 |
| 4-15/16 | 140 | 22228 | .25 | 1 | 2.7 | 0.67 | 4 | 6419 | 196,000 | 236,000 | 1700 | 2200 |
| 5 | | 22328 | .34 | 1 | 2 | 0.67 | 3 | 9628 | 325,000 | 365,000 | 1200 | 1600 |
| 5-3/16 | 150 | 22230 | .25 | 1 | 2.7 | 0.67 | 4 | 7383 | 228,000 | 275,000 | 1600 | 2000 |
| 5-7/16 | | 22330 | .33 | 1 | 2 | 0.67 | 3 | 10923 | 365,000 | 415,000 | 1100 | 1500 |
| 5-7/16 | 160 | 22232 | .26 | 1 | 2.6 | 0.67 | 3.9 | 8630 | 260,000 | 315,000 | 1500 | 1800 |
| 5-1/2 | | 22332 | .37 | 1 | 1.8 | 0.67 | 2.7 | 12298 | 325,000 | 365,000 | 1000 | 1400 |
| 5-15/16 | 170 | 22234 | .26 | 1 | 2.6 | 0.67 | 3.9 | 9858 | 300,000 | 355,000 | 1300 | 1700 |
| 6 | | 22334 | .37 | 1 | 1.8 | 0.67 | 2.7 | 13755 | 360,000 | 475,000 | 950 | 1300 |
| 6-7/16 | 180 | 22236 | .25 | 1 | 2.7 | 0.67 | 4 | 10437 | 308,000 | 375,000 | 1300 | 1600 |
| 6-1/2 | | 22336 | .37 | 1 | 1.8 | 0.67 | 2.7 | 15291 | 308,000 | 375,000 | 900 | 1100 |
| 6-15/16 | 190 | 22238 | .28 | 1 | 2.4 | 0.67 | 3.6 | 11786 | 270,000 | 415,000 | 1200 | 1300 |
| 7 | | 22338 | .37 | 1 | 1.8 | 0.67 | 2.7 | 16910 | 415,000 | 570,000 | 850 | 1100 |
| 7-3/16 | 200 | 22240 | .29 | 1 | 2.3 | 0.67 | 3.5 | 13215 | 300,000 | 450,000 | 1100 | 1200 |
| 7-1/2 | 220 | 22244 | 1 | 1 | | | | | | | | |
| 7-15/16 | | | .29 | 1 | 2.3 | 0.67 | 3.5 | 16020 | 365,000 | 550,000 | 950 | 1000 |
| 8-7/16 | - | 23048 | 1 | | | | | | | | | |
| 8-1/2 | | | .25 | 1 | 2.7 | 0.67 | 4.1 | 14887 | 260,000 | 490,000 | 950 | 1000 |
| 8-15/16, 9 | | | 1 | | | | | | | | | |
| 9-7/16 | - | 23052 | 1 | | | | | | | | | |
| 9-1/2 | | | .26 | 1 | 2.6 | 0.67 | 3.9 | 18232 | 340,000 | 630,000 | 900 | 950 |
| 9-15/16, 10 | - | 23056 | 1 | | | | | | | | | |
| 10-7/16 | | | .25 | 1 | 2.7 | 0.67 | 4.1 | 20000 | 345,000 | 670,000 | 850 | 900 |
| 10-1/2 | | | 1 | | | | | | | | | |

If the thrust load exceeds adapter maximum allowable thrust load, auxiliary methods of carrying thrust are required.

| | | | |
|---------------------------------|----------------------------|-----------------------------|-------------------------------------|
| FEATURES/BENEFITS PAGE B11-3 | HOW TO ORDER PAGE B11-9 | NOMENCLATURE PAGE B11-10 | SELECTION/DIMENSIONS PAGE B11-30 |
|---------------------------------|----------------------------|-----------------------------|-------------------------------------|



SELECTION



UNIFIED Pillow Block - Spherical Roller Bearings

Table 2: Selection Table for UNIFIED SAF Pillow Blocks

| Shaft Size | | Bearing Series | L10 Life Hours | Allowable Equivalent Radial Load Rating (Lbs.) at Various Revolutions Per Minute | | | | | | | | | | | | | | | |
|------------------------|-------------------|----------------|----------------|--|--------|--------|--------|--------|--------|--------|--------|--------|--------|--------|-------|-------|-------|-------|-------|
| Adapter Mount (Inches) | Direct Mount (mm) | | | 50 | 100 | 250 | 500 | 750 | 950 | 1,300 | 1,500 | 1,800 | 2,000 | 2,600 | 3,000 | 3,200 | 3,400 | 4,500 | 5,600 |
| - | 40 | 22308 | 10,000 | 12,797 | 10,394 | 7,896 | 6,413 | 5,679 | 5,290 | 4,815 | 4,613 | 4,367 | 4,231 | 3,911 | 3,747 | 3,675 | 3,609 | 3,318 | |
| | | | 30,000 | 9,204 | 7,476 | 5,679 | 4,613 | 4,084 | 3,805 | 3,463 | 3,318 | 3,141 | 3,043 | 2,813 | 2,695 | 2,643 | 2,595 | 2,386 | |
| | | | 60,000 | 7,476 | 6,072 | 4,613 | 3,747 | 3,318 | 3,090 | 2,813 | 2,695 | 2,551 | 2,472 | 2,285 | 2,189 | 2,147 | 2,108 | 1,938 | |
| 1 - 7/16 | - | 22209 | 10,000 | 8,831 | 7,173 | 5,449 | 4,426 | 3,919 | 3,651 | 3,323 | 3,183 | 3,014 | 2,920 | 2,699 | 2,586 | 2,536 | 2,490 | 2,290 | 2,144 |
| | | | 30,000 | 6,352 | 5,159 | 3,919 | 3,183 | 2,819 | 2,626 | 2,390 | 2,290 | 2,168 | 2,100 | 1,941 | 1,860 | 1,824 | 1,791 | 1,647 | 1,542 |
| | | | 60,000 | 5,159 | 4,191 | 3,183 | 2,586 | 2,290 | 2,133 | 1,941 | 1,860 | 1,761 | 1,706 | 1,577 | 1,511 | 1,482 | 1,455 | 1,338 | 1,253 |
| - | 45 | 22309 | 10,000 | 15,320 | 12,444 | 9,453 | 7,678 | 6,799 | 6,333 | 5,765 | 5,522 | 5,228 | 5,066 | 4,682 | 4,485 | 4,399 | 4,320 | 3,972 | |
| | | | 30,000 | 11,018 | 8,950 | 6,799 | 5,522 | 4,890 | 4,555 | 4,146 | 3,972 | 3,760 | 3,643 | 3,368 | 3,226 | 3,164 | 3,107 | 2,857 | |
| | | | 60,000 | 8,950 | 7,269 | 5,522 | 4,485 | 3,972 | 3,700 | 3,368 | 3,226 | 3,054 | 2,959 | 2,735 | 2,620 | 2,570 | 2,524 | 2,320 | |
| 1-11/16 | - | 22210 | 10,000 | 9,372 | 7,613 | 5,783 | 4,697 | 4,159 | 3,874 | 3,527 | 3,378 | 3,199 | 3,099 | 2,864 | 2,744 | 2,691 | 2,643 | 2,430 | 2,275 |
| | | | 30,000 | 6,741 | 5,475 | 4,159 | 3,378 | 2,991 | 2,787 | 2,536 | 2,430 | 2,300 | 2,229 | 2,060 | 1,974 | 1,936 | 1,901 | 1,748 | 1,637 |
| | | | 60,000 | 5,475 | 4,447 | 3,378 | 2,744 | 2,430 | 2,263 | 2,060 | 1,974 | 1,869 | 1,810 | 1,673 | 1,603 | 1,572 | 1,544 | 1,419 | 1,329 |
| 50 | 22310 | 10,000 | 18,384 | 14,932 | 11,343 | 9,214 | 8,158 | 7,600 | 6,917 | 6,627 | 6,274 | 6,079 | 5,619 | 5,383 | 5,279 | 5,184 | | | |
| | | 30,000 | 13,222 | 10,740 | 8,158 | 6,627 | 5,868 | 5,466 | 4,975 | 4,766 | 4,512 | 4,372 | 4,041 | 3,871 | 3,797 | 3,729 | | | |
| | | 60,000 | 10,740 | 8,723 | 6,627 | 5,383 | 4,766 | 4,440 | 4,041 | 3,871 | 3,665 | 3,551 | 3,282 | 3,144 | 3,084 | 3,029 | | | |
| 1-15/16 | - | 22211 | 10,000 | 11,355 | 9,223 | 7,006 | 5,691 | 5,039 | 4,694 | 4,273 | 4,093 | 3,875 | 3,755 | 3,470 | 3,325 | 3,261 | 3,202 | 2,944 | 2,757 |
| | | | 30,000 | 8,167 | 6,633 | 5,039 | 4,093 | 3,624 | 3,376 | 3,073 | 2,944 | 2,787 | 2,700 | 2,496 | 2,391 | 2,345 | 2,303 | 2,117 | 1,983 |
| | | | 60,000 | 6,633 | 5,388 | 4,093 | 3,325 | 2,944 | 2,742 | 2,496 | 2,391 | 2,264 | 2,193 | 2,027 | 1,942 | 1,905 | 1,871 | 1,720 | 1,611 |
| 55 | 22311 | 10,000 | 21,628 | 17,567 | 13,345 | 10,840 | 9,598 | 8,941 | 8,138 | 7,796 | 7,381 | 7,152 | 6,610 | 6,332 | 6,211 | 6,099 | | | |
| | | 30,000 | 15,555 | 12,635 | 9,598 | 7,796 | 6,903 | 6,431 | 5,853 | 5,607 | 5,309 | 5,144 | 4,754 | 4,554 | 4,467 | 4,387 | | | |
| | | 60,000 | 12,635 | 10,263 | 7,796 | 6,332 | 5,607 | 5,223 | 4,754 | 4,554 | 4,312 | 4,178 | 3,862 | 3,699 | 3,628 | 3,563 | | | |
| - | 60 | 22312 | 10,000 | 25,052 | 20,349 | 15,458 | 12,556 | 11,118 | 10,357 | 9,427 | 9,031 | 8,550 | 8,284 | 7,657 | 7,335 | 7,194 | 7,065 | | |
| | | | 30,000 | 18,018 | 14,635 | 11,118 | 9,031 | 7,996 | 7,449 | 6,780 | 6,495 | 6,149 | 5,958 | 5,507 | 5,276 | 5,174 | 5,081 | | |
| | | | 60,000 | 14,635 | 11,888 | 9,031 | 7,335 | 6,495 | 6,050 | 5,507 | 5,276 | 4,995 | 4,839 | 4,473 | 4,285 | 4,203 | 4,127 | | |
| 2 - 3/16 | - | 22213 | 10,000 | 16,401 | 13,322 | 10,120 | 8,220 | 7,279 | 6,780 | 6,171 | 5,912 | 5,597 | 5,423 | 5,013 | 4,802 | 4,710 | 4,625 | 4,252 | |
| | | | 30,000 | 11,796 | 9,581 | 7,279 | 5,912 | 5,235 | 4,877 | 4,439 | 4,252 | 4,026 | 3,901 | 3,605 | 3,454 | 3,388 | 3,327 | 3,058 | |
| | | | 60,000 | 9,581 | 7,783 | 5,912 | 4,802 | 4,252 | 3,961 | 3,605 | 3,454 | 3,270 | 3,168 | 2,928 | 2,805 | 2,752 | 2,702 | 2,484 | |
| 65 | 22313 | 10,000 | 28,116 | 22,838 | 17,349 | 14,092 | 12,478 | 11,623 | 10,580 | 10,135 | 9,596 | 9,297 | 8,593 | 8,232 | 8,074 | 7,929 | | | |
| | | 30,000 | 20,222 | 16,425 | 12,478 | 10,135 | 8,974 | 8,360 | 7,609 | 7,289 | 6,901 | 6,687 | 6,180 | 5,921 | 5,807 | 5,703 | | | |
| | | 60,000 | 16,425 | 13,342 | 10,135 | 8,232 | 7,289 | 6,790 | 6,180 | 5,921 | 5,606 | 5,431 | 5,020 | 4,809 | 4,717 | 4,632 | | | |
| - | 70 | 22314 | 10,000 | 31,180 | 25,326 | 19,239 | 15,627 | 13,837 | 12,890 | 11,732 | 11,239 | 10,641 | 10,310 | 9,530 | 9,129 | 8,954 | | | |
| | | | 30,000 | 22,426 | 18,215 | 13,837 | 11,239 | 9,952 | 9,271 | 8,438 | 8,084 | 7,653 | 7,415 | 6,854 | 6,566 | 6,440 | | | |
| | | | 60,000 | 18,215 | 14,795 | 11,239 | 9,129 | 8,084 | 7,530 | 6,854 | 6,566 | 6,217 | 6,023 | 5,567 | 5,333 | 5,231 | | | |
| 2-7/16 2-1/2 | 75 | 22215 | 10,000 | 17,302 | 14,054 | 10,676 | 8,672 | 7,679 | 7,153 | 6,511 | 6,237 | 5,905 | 5,721 | 5,288 | 5,066 | 4,969 | 4,879 | | |
| | | | 30,000 | 12,444 | 10,108 | 7,679 | 6,237 | 5,523 | 5,145 | 4,683 | 4,486 | 4,247 | 4,115 | 3,803 | 3,644 | 3,574 | 3,509 | | |
| | | | 60,000 | 10,108 | 8,210 | 6,237 | 5,066 | 4,486 | 4,179 | 3,803 | 3,644 | 3,450 | 3,342 | 3,089 | 2,959 | 2,903 | 2,850 | | |
| 75 | 22315 | 10,000 | 36,047 | 29,279 | 22,242 | 18,066 | 15,997 | 14,902 | 13,564 | 12,994 | 12,302 | 11,919 | 11,017 | 10,554 | | | | | |
| | | 30,000 | 25,926 | 21,058 | 15,997 | 12,994 | 11,505 | 10,718 | 9,755 | 9,345 | 8,848 | 8,573 | 7,924 | 7,591 | | | | | |
| | | 60,000 | 21,058 | 17,105 | 12,994 | 10,554 | 9,345 | 8,706 | 7,924 | 7,591 | 7,187 | 6,963 | 6,436 | 6,166 | | | | | |
| 2- 11/16 2-3/4 | 80 | 22216 | 10,000 | 20,186 | 16,396 | 12,456 | 10,117 | 8,958 | 8,345 | 7,596 | 7,276 | 6,889 | 6,675 | 6,170 | 5,910 | 5,797 | 5,692 | | |
| | | | 30,000 | 14,518 | 11,793 | 8,958 | 7,276 | 6,443 | 6,002 | 5,463 | 5,233 | 4,955 | 4,801 | 4,437 | 4,251 | 4,169 | 4,094 | | |
| | | | 60,000 | 11,793 | 9,579 | 7,276 | 5,910 | 5,233 | 4,875 | 4,437 | 4,251 | 4,025 | 3,899 | 3,604 | 3,453 | 3,387 | 3,325 | | |
| 80 | 22316 | 10,000 | 40,372 | 32,793 | 24,911 | 20,234 | 17,917 | 16,690 | 15,191 | 14,553 | 13,778 | 13,350 | 12,339 | 11,821 | | | | | |
| | | 30,000 | 29,037 | 23,585 | 17,917 | 14,553 | 12,886 | 12,004 | 10,926 | 10,467 | 9,910 | 9,601 | 8,875 | 8,502 | | | | | |
| | | 60,000 | 23,585 | 19,157 | 14,553 | 11,821 | 10,467 | 9,750 | 8,875 | 8,502 | 8,049 | 7,799 | 7,208 | 6,905 | | | | | |

Note: Dark Shaded Areas Require Circulating Oil
Light Shaded Areas Require Static Oil

| | | | |
|---------------------------------|----------------------------|-----------------------------|-------------------------------------|
| FEATURES/BENEFITS PAGE B11-3 | HOW TO ORDER PAGE B11-9 | NOMENCLATURE PAGE B11-10 | SELECTION/DIMENSIONS PAGE B11-30 |
|---------------------------------|----------------------------|-----------------------------|-------------------------------------|

SELECTION



UNIFIED Pillow Block - Spherical Roller Bearings

Table 2: Selection Table for UNIFIED SAF Pillow Blocks

| Shaft Size | | Bearing Series | L10 Life Hours | Allowable Equivalent Radial Load Rating (Lbs.) at Various Revolutions Per Minute | | | | | | | | | | | | | | | | | |
|------------------------|-------------------|----------------|----------------|--|---------|--------|--------|--------|--------|--------|--------|--------|--------|--------|--------|-------|-------|------|-------|--|--|
| Adapter Mount (Inches) | Direct Mount (mm) | | | 50 | 100 | 250 | 500 | 750 | 950 | 1,300 | 1,500 | 1,800 | 2,000 | 2,600 | 3,000 | 3,200 | 3,400 | 4500 | 5,600 | | |
| 2 -15/16 3 | 85 | 22217 | 10,000 | 24,512 | 19,910 | 15,125 | 12,285 | 10,878 | 10,133 | 9,223 | 8,836 | 8,365 | 8,105 | 7,492 | 7,177 | 7,039 | 6,912 | | | | |
| | | | 30,000 | 17,629 | 14,320 | 10,878 | 8,836 | 7,824 | 7,288 | 6,634 | 6,355 | 6,017 | 5,829 | 5,388 | 5,162 | 5,063 | 4,971 | | | | |
| | | | 60,000 | 14,320 | 11,631 | 8,836 | 7,177 | 6,355 | 5,920 | 5,388 | 5,162 | 4,887 | 4,735 | 4,377 | 4,193 | 4,112 | 4,038 | | | | |
| | 85 | 22317 | 10,000 | 43,977 | 35,720 | 27,135 | 22,041 | 19,516 | 18,180 | 16,548 | 15,852 | 15,008 | 14,541 | 13,441 | | | | | | | |
| | | | 30,000 | 31,629 | 25,691 | 19,516 | 15,852 | 14,037 | 13,076 | 11,901 | 11,401 | 10,794 | 10,459 | 9,667 | | | | | | | |
| | | | 60,000 | 25,691 | 20,868 | 15,852 | 12,876 | 11,401 | 10,621 | 9,667 | 9,261 | 8,768 | 8,495 | 7,852 | | | | | | | |
| 3-3/16 | 90 | 22218 | 10,000 | 28,116 | 22,838 | 17,349 | 14,092 | 12,478 | 11,623 | 10,580 | 10,135 | 9,596 | 9,297 | 8,593 | 8,232 | 8,074 | 7,929 | | | | |
| | | | 30,000 | 20,222 | 16,425 | 12,478 | 10,135 | 8,974 | 8,360 | 7,609 | 7,289 | 6,901 | 6,687 | 6,180 | 5,921 | 5,807 | 5,703 | | | | |
| | | | 60,000 | 16,425 | 13,342 | 10,135 | 8,232 | 7,289 | 6,790 | 6,180 | 5,921 | 5,606 | 5,431 | 5,020 | 4,809 | 4,717 | 4,632 | | | | |
| 3 -7/16 3-1/2 | 100 | 22220 | 10,000 | 34,785 | 28,254 | 21,464 | 17,434 | 15,437 | 14,380 | 13,089 | 12,539 | 11,871 | 11,502 | 10,631 | 10,185 | | | | | | |
| | | | 30,000 | 25,018 | 20,321 | 15,437 | 12,539 | 11,103 | 10,343 | 9,414 | 9,018 | 8,538 | 8,273 | 7,646 | 7,325 | | | | | | |
| | | | 60,000 | 20,321 | 16,506 | 12,539 | 10,185 | 9,018 | 8,401 | 7,646 | 7,325 | 6,935 | 6,719 | 6,211 | 5,950 | | | | | | |
| | 100 | 22320 | 10,000 | 65,966 | 53,581 | 40,703 | 33,061 | 29,275 | 27,270 | 24,821 | 23,778 | 22,513 | 21,812 | | | | | | | | |
| | | | 30,000 | 47,444 | 38,536 | 29,275 | 23,778 | 21,055 | 19,613 | 17,852 | 17,102 | 16,192 | 15,688 | | | | | | | | |
| | | | 60,000 | 38,536 | 31,301 | 23,778 | 19,314 | 17,102 | 15,931 | 14,500 | 13,891 | 13,152 | 12,742 | | | | | | | | |
| 3 -15/16 4 | 110 | 22222 | 10,000 | 43,977 | 35,720 | 27,135 | 22,041 | 19,516 | 18,180 | 16,548 | 15,852 | 15,008 | 14,541 | 13,441 | | | | | | | |
| | | | 30,000 | 31,629 | 25,691 | 19,516 | 15,852 | 14,037 | 13,076 | 11,901 | 11,401 | 10,794 | 10,459 | 9,667 | | | | | | | |
| | | | 60,000 | 25,691 | 20,868 | 15,852 | 12,876 | 11,401 | 10,621 | 9,667 | 9,261 | 8,768 | 8,495 | 7,852 | | | | | | | |
| | 110 | 22322 | 10,000 | 76,419 | 62,072 | 47,153 | 38,300 | 33,914 | 31,592 | 28,755 | 27,546 | 26,080 | | | | | | | | | |
| | | | 30,000 | 54,962 | 44,643 | 33,914 | 27,546 | 24,391 | 22,722 | 20,681 | 19,812 | 18,758 | | | | | | | | | |
| | | | 60,000 | 44,643 | 36,262 | 27,546 | 22,375 | 19,812 | 18,456 | 16,798 | 16,092 | 15,236 | | | | | | | | | |
| 4 -3/16 | 120 | 22224 | 10,000 | 51,547 | 41,869 | 31,806 | 25,835 | 22,876 | 21,310 | 19,396 | 18,581 | 17,592 | 17,045 | | | | | | | | |
| | | | 30,000 | 37,074 | 30,113 | 22,876 | 18,581 | 16,453 | 15,326 | 13,950 | 13,364 | 12,652 | 12,259 | | | | | | | | |
| | | | 60,000 | 30,113 | 24,460 | 18,581 | 15,092 | 13,364 | 12,449 | 11,331 | 10,855 | 10,277 | 9,957 | | | | | | | | |
| | 120 | 22324 | 10,000 | 86,512 | 70,270 | 53,381 | 43,359 | 38,393 | 35,764 | 32,553 | 31,185 | 29,525 | | | | | | | | | |
| | | | 30,000 | 62,222 | 50,540 | 38,393 | 31,185 | 27,613 | 25,723 | 23,413 | 22,429 | 21,235 | | | | | | | | | |
| | | | 60,000 | 50,540 | 41,051 | 31,185 | 25,330 | 22,429 | 20,893 | 19,017 | 18,218 | 17,248 | | | | | | | | | |
| 4 -7/16 4-1/2 | 130 | 22226 | 10,000 | 61,279 | 49,774 | 37,812 | 30,712 | 27,195 | 25,333 | 23,058 | 22,089 | 20,913 | 20,263 | | | | | | | | |
| | | | 30,000 | 44,074 | 35,799 | 27,195 | 22,089 | 19,559 | 18,220 | 16,584 | 15,887 | 15,041 | 14,573 | | | | | | | | |
| | | | 60,000 | 35,799 | 29,078 | 22,089 | 17,942 | 15,887 | 14,799 | 13,470 | 12,904 | 12,217 | 11,837 | | | | | | | | |
| | 130 | 22326 | 10,000 | 100,931 | 81,981 | 62,278 | 50,585 | 44,792 | 41,725 | 37,978 | 36,382 | | | | | | | | | | |
| | | | 30,000 | 72,592 | 58,963 | 44,792 | 36,382 | 32,215 | 30,010 | 27,315 | 26,167 | | | | | | | | | | |
| | | | 60,000 | 58,963 | 47,893 | 36,382 | 29,551 | 26,167 | 24,375 | 22,186 | 21,254 | | | | | | | | | | |
| 4 -15/16 5 | 140 | 22228 | 10,000 | 70,652 | 57,387 | 43,594 | 35,410 | 31,354 | 29,208 | 26,585 | 25,467 | 24,112 | 23,362 | | | | | | | | |
| | | | 30,000 | 50,814 | 41,274 | 31,354 | 25,467 | 22,551 | 21,007 | 19,120 | 18,317 | 17,342 | 16,802 | | | | | | | | |
| | | | 60,000 | 41,274 | 33,525 | 25,467 | 20,686 | 18,317 | 17,063 | 15,530 | 14,878 | 14,086 | 13,648 | | | | | | | | |
| | 140 | 22328 | 10,000 | 117,152 | 95,157 | 72,287 | 58,715 | 51,990 | 48,431 | 44,082 | 42,229 | | | | | | | | | | |
| | | | 30,000 | 84,258 | 68,439 | 51,990 | 42,229 | 37,393 | 34,833 | 31,705 | 30,372 | | | | | | | | | | |
| | | | 60,000 | 68,439 | 55,590 | 42,229 | 34,301 | 30,372 | 28,293 | 25,752 | 24,670 | | | | | | | | | | |
| 5 -3/16 | 150 | 22230 | 10,000 | 82,187 | 66,756 | 50,712 | 41,191 | 36,473 | 33,976 | 30,925 | 29,625 | 28,049 | 27,176 | | | | | | | | |
| | | | 30,000 | 59,111 | 48,013 | 36,473 | 29,625 | 26,232 | 24,436 | 22,242 | 21,307 | 20,173 | 19,545 | | | | | | | | |
| | | | 60,000 | 48,013 | 38,998 | 29,625 | 24,063 | 21,307 | 19,849 | 18,066 | 17,307 | 16,386 | 15,876 | | | | | | | | |
| | 150 | 22330 | 10,000 | 131,571 | 106,869 | 81,184 | 65,942 | 58,389 | 54,392 | 49,507 | | | | | | | | | | | |
| | | | 30,000 | 94,629 | 76,862 | 58,389 | 47,427 | 41,995 | 39,120 | 35,607 | | | | | | | | | | | |
| | | | 60,000 | 76,862 | 62,432 | 47,427 | 38,522 | 34,110 | 31,775 | 28,922 | | | | | | | | | | | |

Note: Dark Shaded Areas Require Circulating Oil
Light Shaded Areas Require Static Oil

| | | | |
|---------------------------------|----------------------------|-----------------------------|-------------------------------------|
| FEATURES/BENEFITS PAGE B11-3 | HOW TO ORDER PAGE B11-9 | NOMENCLATURE PAGE B11-10 | SELECTION/DIMENSIONS PAGE B11-30 |
|---------------------------------|----------------------------|-----------------------------|-------------------------------------|



SELECTION



UNIFIED Pillow Block - Spherical Roller Bearings

Table 2: Selection Table for UNIFIED SAF Pillow Blocks

| Shaft Size | | Bearing Series | L10 Life Hours | Allowable Equivalent Radial Load Rating (Lbs.) at Various Revolutions Per Minute | | | | | | | | | | | | | | | | | |
|--------------------------------------|-------------------|----------------|----------------|--|---------|--------|--------|--------|--------|--------|--------|--------|-------|-------|-------|-------|-------|-------|-------|--|--|
| Adapter Mount (Inches) | Direct Mount (mm) | | | 50 | 100 | 250 | 500 | 750 | 950 | 1,300 | 1,500 | 1,800 | 2,000 | 2,600 | 3,000 | 3,200 | 3,400 | 4,500 | 5,600 | | |
| 5- 7/16 5-1/2 | 160 | 22232 | 10,000 | 93,722 | 76,126 | 57,829 | 46,972 | 41,592 | 38,745 | 35,265 | 33,783 | 31,985 | | | | | | | | | |
| | | | 30,000 | 67,407 | 54,751 | 41,592 | 33,783 | 29,914 | 27,866 | 25,364 | 24,298 | 23,004 | | | | | | | | | |
| | | | 60,000 | 54,751 | 44,472 | 33,783 | 27,441 | 24,298 | 22,634 | 20,602 | 19,736 | 18,685 | | | | | | | | | |
| | 160 | 22332 | 10,000 | 117,152 | 95,157 | 72,287 | 58,715 | 51,990 | 48,431 | 44,082 | | | | | | | | | | | |
| | | | 30,000 | 84,258 | 68,439 | 51,990 | 42,229 | 37,393 | 34,833 | 31,705 | | | | | | | | | | | |
| | | | 60,000 | 68,439 | 55,590 | 42,229 | 34,301 | 30,372 | 28,293 | 25,752 | | | | | | | | | | | |
| 5- 15/16 6 | 170 | 22234 | 10,000 | 108,140 | 87,837 | 66,726 | 54,199 | 47,991 | 44,706 | 40,691 | 38,981 | | | | | | | | | | |
| | | | 30,000 | 77,777 | 63,175 | 47,991 | 38,981 | 34,516 | 32,153 | 29,266 | 28,036 | | | | | | | | | | |
| | | | 60,000 | 63,175 | 51,314 | 38,981 | 31,662 | 28,036 | 26,117 | 23,771 | 22,772 | | | | | | | | | | |
| | 170 | 22334 | 10,000 | 129,768 | 105,405 | 80,071 | 65,038 | 57,589 | 53,647 | 48,829 | | | | | | | | | | | |
| | | | 30,000 | 93,332 | 75,809 | 57,589 | 46,777 | 41,420 | 38,584 | 35,119 | | | | | | | | | | | |
| | | | 60,000 | 75,809 | 61,576 | 46,777 | 37,995 | 33,643 | 31,340 | 28,525 | | | | | | | | | | | |
| 6- 7/16 6-1/2 | 180 | 22236 | 10,000 | 109,943 | 89,301 | 67,838 | 55,102 | 48,791 | 45,451 | 41,369 | 39,631 | | | | | | | | | | |
| | | | 30,000 | 79,073 | 64,227 | 48,791 | 39,631 | 35,092 | 32,689 | 29,753 | 28,503 | | | | | | | | | | |
| | | | 60,000 | 64,227 | 52,169 | 39,631 | 32,190 | 28,503 | 26,552 | 24,167 | 23,152 | | | | | | | | | | |
| 6- 15/16 7 | 190 | 22238 | 10,000 | 97,326 | 79,053 | 60,054 | 48,779 | 43,192 | 40,235 | 36,622 | | | | | | | | | | | |
| | | | 30,000 | 69,999 | 56,857 | 43,192 | 35,083 | 31,065 | 28,938 | 26,339 | | | | | | | | | | | |
| | | | 60,000 | 56,857 | 46,182 | 35,083 | 28,496 | 25,232 | 23,505 | 21,394 | | | | | | | | | | | |
| | 190 | 22338 | 10,000 | 149,594 | 121,508 | 92,305 | 74,975 | 66,388 | 61,843 | | | | | | | | | | | | |
| | | | 30,000 | 107,591 | 87,391 | 66,388 | 53,923 | 47,747 | 44,479 | | | | | | | | | | | | |
| | | | 60,000 | 87,391 | 70,984 | 53,923 | 43,799 | 38,783 | 36,128 | | | | | | | | | | | | |
| 7-3/16 | 200 | 22240 | 10,000 | 108,140 | 87,837 | 66,726 | 54,199 | 47,991 | 44,706 | | | | | | | | | | | | |
| | | | 30,000 | 77,777 | 63,175 | 47,991 | 38,981 | 34,516 | 32,153 | | | | | | | | | | | | |
| | | | 60,000 | 63,175 | 51,314 | 38,981 | 31,662 | 28,036 | 26,117 | | | | | | | | | | | | |
| 7- 1/2 7- 15/16 8 | 220 | 22244 | 10,000 | 131,571 | 106,869 | 81,184 | 65,942 | 58,389 | 54,392 | | | | | | | | | | | | |
| | | | 30,000 | 94,629 | 76,862 | 58,389 | 47,427 | 41,995 | 39,120 | | | | | | | | | | | | |
| | | | 60,000 | 76,862 | 62,432 | 47,427 | 38,522 | 34,110 | 31,775 | | | | | | | | | | | | |
| 8- 7/16 8- 1/2 8-15/16 9 | 23048 | 10,000 | 93,722 | 76,126 | 57,829 | 46,972 | 41,592 | 38,745 | | | | | | | | | | | | | |
| | | 30,000 | 67,407 | 54,751 | 41,592 | 33,783 | 29,914 | 27,866 | | | | | | | | | | | | | |
| | | 60,000 | 54,751 | 44,472 | 33,783 | 27,441 | 24,298 | 22,634 | | | | | | | | | | | | | |
| 9- 7/16 9-1/2 | 23052 | 10,000 | 122,559 | 99,549 | 75,623 | 61,425 | 54,390 | 50,666 | | | | | | | | | | | | | |
| | | 30,000 | 88,147 | 71,598 | 54,390 | 44,178 | 39,118 | 36,440 | | | | | | | | | | | | | |
| | | 60,000 | 71,598 | 58,155 | 44,178 | 35,884 | 31,774 | 29,599 | | | | | | | | | | | | | |
| 9- 15/16 10 10- 7/16 10-1/2 | 23056 | 10,000 | 124,361 | 101,013 | 76,735 | 62,328 | 55,190 | | | | | | | | | | | | | | |
| | | 30,000 | 89,444 | 72,651 | 55,190 | 44,828 | 39,694 | | | | | | | | | | | | | | |
| | | 60,000 | 72,651 | 59,011 | 44,828 | 36,412 | 32,241 | | | | | | | | | | | | | | |

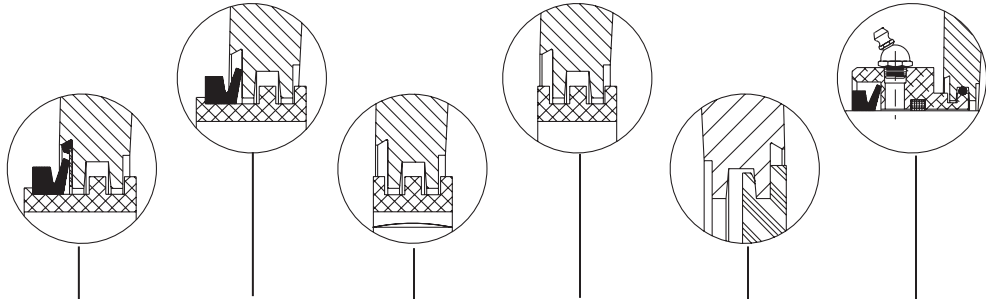
Note: Dark Shaded Areas Require Circulating Oil
Light Shaded Areas Require Static Oil

| | | | |
|---------------------------------|----------------------------|-----------------------------|-------------------------------------|
| FEATURES/BENEFITS PAGE B11-3 | HOW TO ORDER PAGE B11-9 | NOMENCLATURE PAGE B11-10 | SELECTION/DIMENSIONS PAGE B11-30 |
|---------------------------------|----------------------------|-----------------------------|-------------------------------------|

SELECTION



UNIFIED SAF Bearing Seals



| ENVIRONMENT/ APPLICATION | DROP IN TRIPLE-TECT SEAL | TRIPLE-TECT LABYRINTH & FACE RUBBING SEAL | SPLIT LER LABYRINTH SEAL | LER LABYRINTH SEAL | END COVER | AUXILIARY TACONITE SEAL |
|---------------------------------|--------------------------------|---|--------------------------------|--------------------------|--------------------|-------------------------------|
| | USAF/USN SAF-XT | USAF/USN SAF-XT | USAF/USN SAF-XT | USAF/USN SAF-XT | USAF/USN SAF-XT | USAF/USN SAF-XT |
| Dusty/Dirty | + | + | ▲ | ▲ | ++ | + |
| Wet/Moisture Laden | + | + | ○ | ○ | ++ | + |
| High Pressure Power Washdown | ▲ | ▲ | ○ | ○ | ++ | + |
| ☆ High Tempera- ture | ○ | ○ | ○ | + | ▲ | ○ |
| • High Speed | + | + | + | ++ | NS | ○ |
| Chemical | ▲ | ▲ | ○ | ○ | ▲ | ▲ |
| Misalignment | + | + | + | + | NS | ▲ |

- ++ Very Good
- + Good
- ▲ Questionable (Depends On Condition: Consult DODGE Engineering)
- Not Recommended
- NS Not Seal Limited

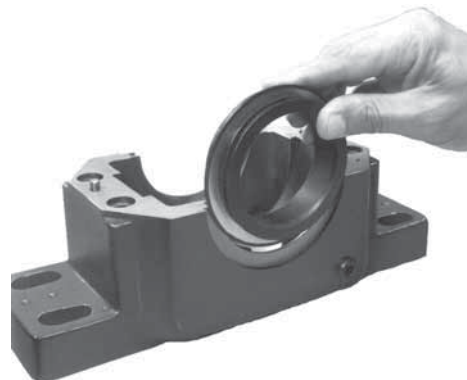
- Notes:
- ☆ High Temperature is above 200°F
 - Consideration Of High Speed Can Be A Function Of Type And Bearing Design

DROP-IN TRIPLE TECT SEAL

The patented Drop-In TRIPLE-TECT Seal has all the sealing features of the standard TRIPLE-TECT except it is pre-assembled at the factory for quick and easy field assembly. The Drop-In TRIPLE-TECT Seal assembly consists of a seal ring, v-ring seal and stainless metal seal with rubber bead.

While lowering the shaft bearing and seal assembly into the housing base, the stainless metal seal with rubber bead fits in the outboard "v-shaped" housing groove.

The stainless metal seal gives superior sealing surface to the v-ring and positions the v-ring for easy cap to base housing assembly. (See Figure A).



| | | | |
|---------------------------------|----------------------------|-----------------------------|-------------------------------------|
| FEATURES/BENEFITS PAGE B11-3 | HOW TO ORDER PAGE B11-9 | NOMENCLATURE PAGE B11-10 | SELECTION/DIMENSIONS PAGE B11-30 |
|---------------------------------|----------------------------|-----------------------------|-------------------------------------|



SELECTION



UNIFIED SAF Bearing Lubrication

SELECTING LUBRICATION

DODGE UNIFIED pillow blocks are lubricated by the user at installation. DODGE UNIFIED bearings are specially designed to handle either grease or oil lubrication.

GREASE LUBRICATION:

DODGE UNIFIED bearings are designed to meet the rigorous demands of dirty, dusty or wet environments. In order to properly protect bearings during installation, pack the bearing insert 100% full of grease immediately after properly mounting the bearing on the shaft. If the RPM of the application falls between 20% and 80% of maximum RPM (Table 1, page B11-19), pack the lower half of the housing one-third to one-half full. If the RPM of the application is less than 20% of maximum RPM, pack bearing housing cavity 100% full. If the RPM exceeds 80% of maximum RPM, do not add grease in the lower half of the housing or in the cap.

At each re-greasing cycle, for applications up to 80% of maximum RPM, slowly add grease until fresh grease is seen purging at the seals. Re-greasing should be done while running. Remote re-greasing lines should be added to avoid endangering personnel. If the RPM is greater than 80% of maximum RPM, add 4 strokes of a handgun at each re-greasing cycle for bores up to

2. For bores greater than 2 up to 5, add 8 strokes of a handgun at each re-greasing cycle. For bores greater than 5 up to 10-1/2, add 16 strokes of a handgun at each re-greasing cycle. For bores greater than 10-1/2, and up to 12-1/2 add 32 strokes of a handgun at each re-greasing cycle. For bores greater than 12-1/2 up to 15-3/4 add 64 strokes of a handgun at each regreasing cycle. For units running above 80% of maximum RPM, running temperature should be monitored. If a drastic change in running temperature is noted, DODGE recommends removing the used grease completely and recharging with fresh grease per the above instructions. For warning before catastrophic failure, see DODGE Smart Bearing Package on page B11-58

Select a grease with a viscosity at an operating temperature which will provide full film lubrication (see Table 3 below). Use a 50°F to 100°F increase in bearing temperature above ambient, depending on RPM and load. Use Table 4, page B11-25 as a general guide for re-greasing the bearings. A small amount of grease at frequent intervals is preferable to a large amount of grease at infrequent intervals. For special applications involving high speeds, high loads, or very low speeds, consult DODGE Application Engineering (864-284-5700 or FAX 864-281-2317) during the hours of 8:00 a.m. and 5:00 p.m. Eastern Time.

Table 3: Viscosity Of Oil, Or Oil In Grease

| DN Δ | Viscosity for Loads Up To 18% of Dyn. Cap.* (SUS @ Oper. Temp.) | CST | DN Δ | Viscosity for Loads Up To 18% of Dyn. Cap.* (SUS. @ Oper. Temp.) | CST |
|---------|--|-----|---------|---|-----|
| 100 | 3500 | 700 | 1400 | 625 | 140 |
| 200 | 3150 | 680 | 1600 | 525 | 120 |
| 300 | 2750 | 590 | 1800 | 450 | 95 |
| 400 | 2375 | 500 | 2000 | 400 | 85 |
| 500 | 2000 | 460 | 3000 | 300 | 63 |
| 600 | 1750 | 360 | 4000 | 200 | 43 |
| 700 | 1500 | 320 | 5000 | 150 | 32 |
| 800 | 1300 | 280 | 6000 | 130 | 28 |
| 900 | 1075 | 220 | 7000 | 110 | 22 |
| 1000 | 900 | 140 | 8000 | 100 | 20 |

Δ DN = Bore Diameter (ins) x RPM

* For loads above 18% of dynamic capacity, an EP grease with viscosity selected from above is recommended

| | | | |
|---------------------------------|----------------------------|-----------------------------|-------------------------------------|
| FEATURES/BENEFITS PAGE B11-3 | HOW TO ORDER PAGE B11-9 | NOMENCLATURE PAGE B11-10 | SELECTION/DIMENSIONS PAGE B11-30 |
|---------------------------------|----------------------------|-----------------------------|-------------------------------------|

SELECTION



UNIFIED SAF Bearing Lubrication

OIL LUBRICATION

DODGE UNIFIED bearings are designed to accept oil lubrication. Oil lubrication is normally required at high speeds as well as high loads, or whenever heat from an external source is flowing into the bearing. Oil lubrication may be static or circulating. With static oil, fill the bearing cavity with oil up to the center line of the lowest roller. This height is identified as W and is shown on pages B11-40, B11-43, B11-108 and B11-120. Mount an oil sight gauge in the drilled and tapped hole on the side of the pillow block for visual indication of this level. The oil level may drop or rise during operation

depending on the direction of rotation of the bearing. Both the static oil level and the running oil level should be marked on the oil sight gauge and properly identified. Oil should be replaced at least semiannually. For circulating oil, the oil flow rate and size of factory drilled and tapped return drains are shown in Table 5, up to 8 bore. The viscosity of the oil should be selected based on the guidelines shown on Table 3, page B11-24. If the RPM of the application is within the specifications of this catalog, and if the temperature of the bearings is 80°F to 100°F or greater above ambient, a lighter viscosity oil may be required.

Table 4: Re-Greasing Intervals, Months*, Based On 12 Hours Per Day, 150-F Max.

| Shaft Size | | RPM | | | | | | | | |
|--------------------|------------------|-----|-----|-----|------|------|------|------|------|------|
| Adapter Mtg. (in.) | Direct Mtg. (mm) | 250 | 500 | 750 | 1000 | 1250 | 1500 | 2000 | 2500 | 3000 |
| 1-7/16 - 1-15/16 | 40-55 | 8 | 6 | 4 | 3 | 2 | 1 | .50 | .50 | .25 |
| 2-3/16 | 60-65 | 7 | 5 | 3 | 2 | 1 | 1 | .50 | .25 | .25 |
| 2-7/16 - 3 | 70-85 | 6 | 4 | 3 | 2 | 1 | .50 | .25 | .25 | |
| 3-3/16 - 3-1/2 | 90-100 | 5 | 3 | 2 | 1 | .50 | .50 | .25 | | |
| 3-15/16 - 4-1/2 | 110-130 | 4 | 3 | 2 | 1 | .50 | .25 | | | |
| 4-15/16 - 5-1/2 | 140-160 | 3 | 2 | 1 | .50 | .25 | | | | |
| 5-15/16 - 7-3/16 | 170-200 | 2 | 1 | 1 | .50 | | | | | |
| 7-1/2 - 9-1/2 | 220 | 1 | 1 | .50 | | | | | | |
| 9-15/16 - 10-1/2 | - | 1 | .50 | | | | | | | |
| 10-15/16 - 12-1/2 | - | 1 | .50 | | | | | | | |
| 12-15/16 - 15-3/4 | - | .50 | .25 | | | | | | | |

* For continuous operations, 24 hours per day, decrease greasing interval by 50%

IMPERIAL - ISAF

UNIFIED SAF

International Bearings

Sleeve Bearing

SLEEVOIL

| | | | |
|---------------------------------|----------------------------|-----------------------------|-------------------------------------|
| FEATURES/BENEFITS PAGE B11-3 | HOW TO ORDER PAGE B11-9 | NOMENCLATURE PAGE B11-10 | SELECTION/DIMENSIONS PAGE B11-30 |
|---------------------------------|----------------------------|-----------------------------|-------------------------------------|



SELECTION



UNIFIED SAF Circulating Oil

Table 5: Circulating Oil Flow Rates, Drain hole Sizes, Thermocouple Location And Vibration Sensor Location

| Shaft Size | | | | USAF Housing Designation | Circulating Oil Flow* | | Static Oil Level Inches W** | | Drain Hole, Dry Sump *** | | | Thermocouple Hole | | Vibration ▲ Sensor Hole | |
|------------------------|--------------------|-------------------------|--------------------|--------------------------|---|--|-----------------------------|------------------|--------------------------|---------|--------|-------------------|-------------------|-------------------------|-------------------|
| 500 Adptr Mntg. Inches | 200 Drct. Mntg. mm | 600 Adptr. Mntg. Inches | 300 Drct. Mntg. mm | | Amount Sufficient for Normal Lubrication Gal./Min | Maximum Amount for Heat Dissipation Due to External Heat Source Gal./Min | 500 & 200 Series | 600 & 300 Series | Location Inches | | | Location Inches | Wall Thck. Inches | Location Inches | Wall Thck. Inches |
| | | | | | | | | | X | Y | Size | A | B | C | E |
| 1-7/16 | - | - | - | 509 - - - | .0025 | .070 | 59/64 | - | 1-3/32 | 5/8 | 1-8/27 | 1/4 | 3/8 | 19/16 | 1-5/16 |
| 1-11/16 | - | - | 40 | 510 - - 308 | .0030 | .090 | 1-5/64 | 1-3/16 | 1-1/4 | 1-3/16 | 1-8/27 | 17/64 | 19/64 | 1-9/64 | 31/32 |
| 1-15/16 | - | 1-7/16 | 45 | 511 - 609 309 | .0040 | .100 | 1-5/32 | 1-9/32 | 1-5/16 | 53/64 | 1-8/27 | 9/32 | 17/32 | 1-57/64 | 1-1/8 |
| - | - | 1-11/16 | 50 | - - 610 310 | .0045 | .120 | - | 1-3/8 | | | | | | | |
| 2-3/16 | - | 1-15/16 | 55 | 513 - 611 311 | .0050 | .150 | 1-7/64 | 1-7/16 | 1-21/32 | 25/32 | 1-8/27 | 11/32 | 37/64 | 2-1/64 | 1-1/8 |
| 2-7/16 | 75 | - | 60 | 515 215 - 312 | .0060 | .175 | 1-5/32 | 1-5/16 | 1-25/32 | 7/8 | 1-4/18 | 23/64 | 5/8 | 2-1/4 | 1-3/16 |
| 2-11/16 | 80 | 2-3/16 | 65 | 516 216 613 313 | .0065 | .195 | 1-1/4 | 1-13/32 | 1-31/32 | 61/64 | 1-4/18 | 5/16 | 1/2 | 2-9/32 | 1-33/64 |
| 2-15/16 | 85 | - | 70 | 517 217 - 314 | .0075 | .200 | 1-3/8 | 1-15/32 | 2-1/8 | 1-1/16 | 3-8/18 | 13/32 | 43/64 | 2-1/2 | 1-7/16 |
| 3-3/16 | 90 | 2-7/16 | 75 | 518 218 615 315 | .0080 | .250 | 1-15/32 | 1-19/32 | 2-1/4 | 1-1/8 | 3-8/18 | 7/16 | 39/64 | 2-23/32 | 1-29/64 |
| - | - | 2-11/16 | 80 | - - 616 316 | .0100 | .260 | 1-11/16 | 1-11/16 | 2-3/8 | 1-11/64 | 3-8/18 | 17/32 | 21/32 | 2-47/64 | 1-15/32 |
| 3-7/16 | 100 | 2-15/16 | 85 | 520 220 617 317 | .0110 | .350 | 1-41/64 | 1-3/4 | 2-5/8 | 1-1/4 | 3-8/18 | 17/32 | 45/64 | 3-5/64 | 1-43/64 |
| 3-1/2 | | 3 | | | | | | | | | | | | | |

* Based on oil temperature of 130°F - 150°F & oil level at center line of lowest roller. For maximum oil flow values, both drains should be used.

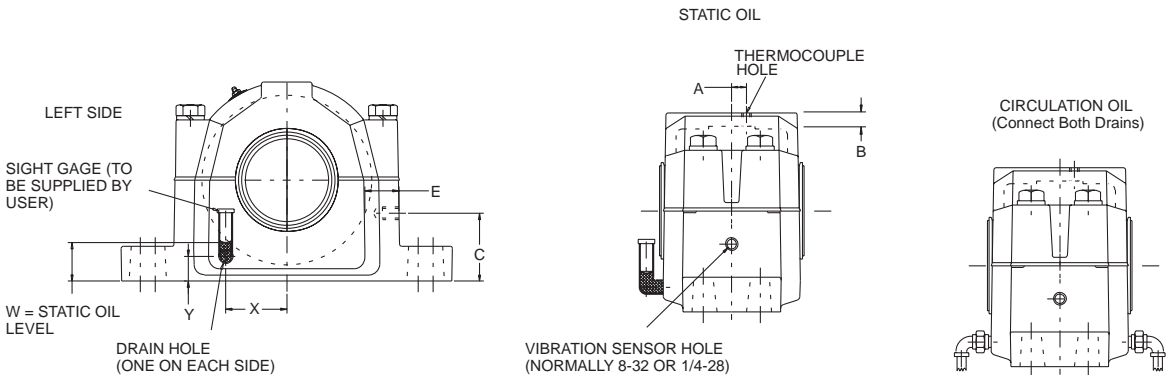
Mount block with drain holes on right side of block center line when rotation is CCW, unless cast closed end.

Mount block with drain holes on left side of block center line when rotation is CW.

** Static oil level is measured from bottom of block base to meniscus on oil sight gauge. (Non-rotating mode)

*** For wet sump, consult DODGE Application Engineering.

▲ For vibration sensors supplied by the user.



| | | | |
|---------------------------------|----------------------------|-----------------------------|-------------------------------------|
| FEATURES/BENEFITS PAGE B11-3 | HOW TO ORDER PAGE B11-9 | NOMENCLATURE PAGE B11-10 | SELECTION/DIMENSIONS PAGE B11-30 |
|---------------------------------|----------------------------|-----------------------------|-------------------------------------|



UNIFIED SAF Circulating Oil

Table 5 (continued): Circulating Oil Flow Rates, Drain hole Sizes, Thermocouple Location And Vibration Sensor Location

| Shaft Size | | | | USAF Housing Designation | | | | Circulating Oil Flow* | | Static Oil Level Inches W** | | Drain Hole, Dry Sump*** | | | Thermocouple Hole | | Vibration ▲ Sensor Hole | |
|------------------------|--------------------|-------------------------|--------------------|--------------------------|--------|-------|---------|---|--|-----------------------------|------------------|-------------------------|---------|---------|-------------------|-------------------|-------------------------|-------------------|
| 500 Adptr Mntg. Inches | 200 Drct. Mntg. mm | 600 Adptr. Mntg. Inches | 300 Drct. Mntg. mm | | | | | Amount Sufficient for Normal Lubrication Gal./Min | Maximum Amount for Heat Dissipation Due to External Heat Source Gal./Min | 500 & 200 Series | 600 & 300 Series | Location Inches | | | Location Inches | Wall Thck. Inches | Location Inches | Wall Thck. Inches |
| | | | | | | | | | | | | X | Y | Size | | | | |
| 3-15/16 4 | 110 | - | - | 522 222 - - | 0.015 | 0.42 | 1-59/64 | | 2-7/8 | 1-11/32 | 3/8-18 | 17/32 | 17/32 | 3-23/64 | 1-23/32 | | | |
| 4-3/16 | 120 | 3-7/16 3-1/2 | 100 | 524 224 620 320 | 0.0175 | 0.48 | 1-27/32 | 2-1/32 | 2-3/16 | 1-3/8 | 1/2-14 | 11/16 | 49/64 | 3-3/8 | 1-55/64 | | | |
| 4-7/16 4-1/2 | 130 | 3-15/16 4 | 110 | 526 226 622 322 | 0.019 | 0.55 | 2-11/32 | 2-13/32 | 2-5/16 | 1-5/8 | 1/2-14 | 3/4 | 1 | 4-1/32 | 2-5/32 | | | |
| 4-15/16 5 | 140 | - | - | 528 228 - - | 0.023 | 0.6 | 2-1/32 | - | 3-5/8 | 1-15/32 | 1/2-14 | 3/4 | 57/64 | 4-1/32 | 2-5/32 | | | |
| 5-3/16 | 150 | 4-3/16 | 120 | 530 230 624 324 | 0.025 | 0.75 | 2-1/32 | 2-3/8 | 3-19/32 | 1-23/64 | 1/2-14 | 13/16 | 7/8 | 4-11/32 | 2-1/4 | | | |
| 5-7/16 5-1/2 | 160 | 4-7/16 4-1/2 | 130 | 532 232 626 326 | 0.03 | 0.8 | 2-3/32 | 2-7/16 | 4-1/32 | 1-21/64 | 1/2-14 | 29/32 | 59/64 | 4-33/64 | 2-7/32 | | | |
| 5-15/16 6 | 170 | 4-15/16 5 | 140 | 534 234 628 328 | 0.035 | 0.85 | 2-3/16 | 2-9/16 | 4-5/32 | 1-21/64 | 1/2-14 | 1 | 1-25/64 | 4-31/32 | 2-45/64 | | | |
| 6-7/16 6-1/2 | 180 | 5-3/16 | 150 | 536 236 630 330 | 0.037 | 0.875 | 2-27/64 | 2-5/8 | 4-7/32 | 1-5/8 | 1/2-14 | 1 | 1-21/64 | 5-1/4 | 2-3/4 | | | |
| 6-15/16 7 | 190 | 5-7/16 5-1/2 | 160 | 538 238 632 332 | 0.039 | 1 | 2-17/32 | 2-11/16 | 4-3/4 | 1-39/64 | 1/2-14 | 1-1/8 | 1-1/4 | 5-1/2 | 2-3/4 | | | |
| 7-3/16 | 200 | 5-15/16 6 | 170 | 540 240 634 334 | 0.042 | 1 | 2-15/32 | 2-3/4 | 4-29/32 | 1-17/32 | 1/2-14 | 1-1/8 | 1-1/8 | 5-13/16 | 2-27/32 | | | |
| 7-1/2 | 220 | 6-15/16 7 | 190 | 544S 244 638 338 | 0.05 | 1.4 | 3-1/4 | 2-3/8 | 5-7/16 | 2-1/32 | 1/2-14 | 1-3/16 | 1-1/2 | 6-5/8 | 2-23/64 | | | |
| 7-15/16 8 | | - | | 544 | | | | | | | | | | | | | | |

* Based on oil temperature of 1305F - 1505F & oil level at center line of lowest roller. For maximum oil flow values, both drains should be used.

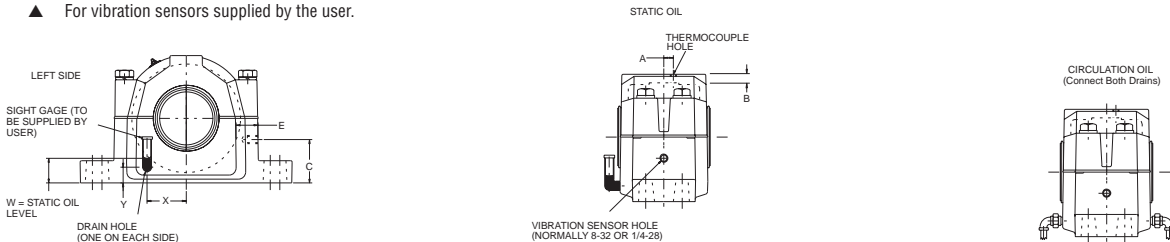
Mount block with drain holes on right side of block center line when rotation is CCW, unless cast closed end.

Mount block with drain holes on left side of block center line when rotation is CW.

** Static oil level is measured from bottom of block base to meniscus on oil sight gauge. (Non-rotating mode)

*** For wet sump, consult DODGE Application Engineering.

▲ For vibration sensors supplied by the user.



| | | | |
|---------------------------------|----------------------------|-----------------------------|-------------------------------------|
| FEATURES/BENEFITS PAGE B11-3 | HOW TO ORDER PAGE B11-9 | NOMENCLATURE PAGE B11-10 | SELECTION/DIMENSIONS PAGE B11-30 |
|---------------------------------|----------------------------|-----------------------------|-------------------------------------|



SELECTION



UNIFIED SAF Housing Ratings

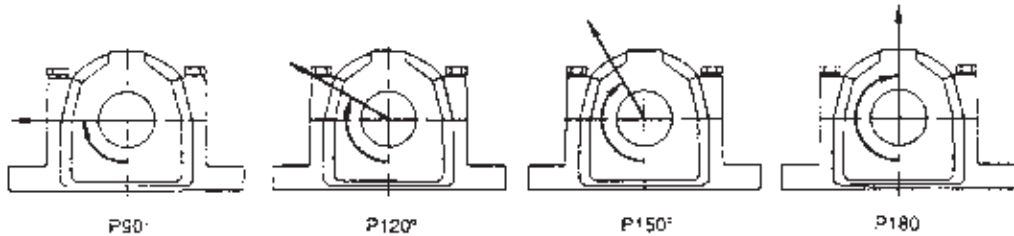


Table 6: USAF Housing Ratings And Cap Bolt Ratings*

| PILLOW BLOCK DESIGNATION | | | | RECOMMENDED HOUSING CAP LOADS ♦ | | | | RECOMMENDED CAP BOLT LOADS | | | CAP BOLT INFORMATION ♦ | | |
|--------------------------|------|------|------|---------------------------------|----------|----------|----------|----------------------------|----------|----------|------------------------|----------------|-----------|
| USAF | USAF | USAF | USAF | P90 lb. | P120 lb. | P150 lb. | P180 lb. | P120 lb. | P150 lb. | P180 lb. | CAP BOLT (NO.) SIZE | TORQUE (Ft-Lb) | SAE GRADE |
| 509 | | | | 6600 | 4200 | 3600 | 4600 | 19800 | 11300 | 9900 | (4) 3/8-16 | 24-30 | 5 |
| | | | 308 | 7800 | 5000 | 4400 | 5400 | 19800 | 11300 | 9900 | (4) 3/8-16 | 24-30 | 5 |
| 513 | | 611 | 311 | 13360 | 8260 | 7680 | 9200 | 27120 | 15600 | 13560 | (4) 7/16-14 | 40-50 | 5 |
| 515 | 215 | | 312 | 13360 | 8260 | 7680 | 9220 | 36200 | 20800 | 18100 | (4) 1/2-13 | 60-75 | 5 |
| 516 | 216 | 613 | 313 | 12800 | 8000 | 7400 | 8900 | 57600 | 33000 | 28800 | (4) 5/8-11 | 120-150 | 5 |
| 517 | 217 | | 314 | 13600 | 9200 | 8400 | 10200 | 57600 | 33000 | 28800 | (4) 5/8-11 | 120-150 | 5 |
| 518 | 218 | 615 | 315 | 17500 | 11350 | 10200 | 12100 | 57600 | 33000 | 28800 | (4) 5/8-11 | 120-150 | 5 |
| | | 616 | 316 | 17600 | 12000 | 10500 | 12200 | 57600 | 33000 | 28800 | (4) 5/8-11 | 120-150 | 5 |
| 520 | 220 | 617 | 317 | 22500 | 14200 | 12660 | 14700 | 85200 | 48900 | 42600 | (4) 3/4-10 | 208-260 | 5 |
| 522 | 222 | | | 28100 | 17500 | 15500 | 17800 | 85200 | 48900 | 42600 | (4) 3/4-10 | 208-260 | 5 |
| 524 | 224 | 620 | 320 | 24500 | 15400 | 13700 | 15800 | 85200 | 48900 | 42600 | (4) 3/4-10 | 208-260 | 5 |
| 526 | 226 | 622 | 322 | 28970 | 18000 | 15900 | 18300 | 11800 | 67800 | 59000 | (4) 7/8-9 | 320-430 | 5 |
| 528 | 228 | | | 35800 | 22100 | 19400 | 22300 | 154400 | 88700 | 77200 | (4) 1-8 | 512-640 | 5 |
| 530 | 230 | 624 | 324 | 40000 | 24700 | 21600 | 25000 | 154400 | 88700 | 77200 | (4) 1-8 | 512-640 | 5 |
| 532 | 232 | 626 | 326 | 40200 | 24800 | 21700 | 25100 | 154400 | 88700 | 77200 | (4) 1-8 | 512-640 | 5 |
| 534 | 234 | 628 | 328 | 52000 | 32200 | 28200 | 33000 | 154400 | 88700 | 77200 | (4) 1-8 | 512-640 | 5 |
| 536 | 236 | 630 | 330 | 78200 | 49200 | 43300 | 52800 | 154400 | 88700 | 77200 | (4) 1-8 | 512-640 | 5 |
| 538 | 238 | 632 | 332 | 80600 | 50800 | 44800 | 54800 | 215200 | 123000 | 107600 | (4) 1-1/4-7 | 896-1120 | 5 |
| 540 | 240 | 634 | 334 | 83800 | 53000 | 46700 | 57500 | 215200 | 123000 | 107600 | (4) 1-1/4-7 | 896-1120 | 5 |
| 544 | 244 | 638 | 338 | 101800 | 65600 | 58200 | 73800 | 312000 | 179000 | 156000 | (4) 1-1/2-6 | 1560-1950 | 5 |
| 048 | | | | 83800 | 53000 | 46700 | 54800 | 215200 | 123000 | 107600 | (4) 1-1/4-7 | 896-1120 | 5 |
| 052 | | | | 101800 | 65600 | 58200 | 73800 | 312000 | 179000 | 156000 | (4) 1-1/2-6 | 1560-1950 | 5 |
| 056 | | | | 110200 | 71800 | 64000 | 82100 | 312000 | 179000 | 156000 | (4) 1-1/2-6 | 1560-1950 | 5 |

* When utilizing heavy cap loads on a pillow block housing, the installation must adhere to the following procedures.

- 1) The pillow block base bolts must have high strength (Grade 8) bolts and be properly tightened to mounting structure.
- 2) Stop bars (shear strips) must be used against the pillow block where side loads are encountered.
- 3) In all cases where loads are heavy, the L10 life of the bearing should be checked for proper selection and life requirements.

♦ For USDAF housing and Cap Bolt Ratings consult DODGE Application Engineering (864-284-5700).

| | | | |
|---------------------------------|----------------------------|-----------------------------|-------------------------------------|
| FEATURES/BENEFITS PAGE B11-3 | HOW TO ORDER PAGE B11-9 | NOMENCLATURE PAGE B11-10 | SELECTION/DIMENSIONS PAGE B11-30 |
|---------------------------------|----------------------------|-----------------------------|-------------------------------------|

SELECTION



UNIFIED SAF Expansion Capabilities

Table 7: UNIFIED 500, 200, 600 And 300 Series And Split-sphere Pillow Blocks Total Expansion Capability

| Shaft Size | | | | USAFA Housing Designation | | | | Total Expansion, Inches |
|-----------------------------|--------------------|-------------------------|--------------------|---------------------------|-----|------|------|-------------------------|
| 500 Adptr. Mntg. Inches | 200 Drct. Mntg. mm | 600 Adptr. Mntg. Inches | 300 Drct. Mntg. mm | | | | | |
| 1-7/16 | - | - | - | 509 | - | - | - | 1/4 |
| 1-11/16 | - | - | 40 | 510 | - | - | 308 | 1/4 |
| 1-15/16 | - | 1-7/16 | 45 | 511 | - | 609 | 309 | 1/4 |
| - | - | 1-11/16 | 50 | - | - | 610 | 310 | 7/16 |
| 2-3/16 | - | 1-15/16 | 55 | 513 | - | 611* | 311* | 5/16 |
| 2-7/16 2-1/2 | 75 | - | 60 | 515 | 215 | - | 312 | 1/4 |
| 2-11/16 2-3/4 | 80 | 2-7/16 | 65 | 516 | 216 | 613 | 313 | 3/8 |
| 2-15/16 3 | 85 | - | 70 | 517 | 217 | - | 314 | 3/8 |
| 3-3/16 | 90 | 2-7/16 2-1/2 | 75 | 518 | 218 | 615 | 315 | 3/8 |
| - | - | 2-11/16 2-3/4 | 80 | - | - | 616 | 316 | 3/8 |
| 3-7/16 3-1/2 | 100 | 2-15/16 3 | 85 | 520 | 220 | 617 | 317 | 3/8 |
| 3-15/16, 4 | 110 | | | 522 | 222 | | | 3/8 |
| 4-3/16 | 120 | 3-7/16 3-1/2 | 100 | 524 | 224 | 620 | 320 | 3/8 |
| 4-7/16, 4-1/2 | 130 | 3-15/16, 4 | 110 | 526 | 226 | 622 | 322 | 3/8 |
| 4-15/16 5 | 140 | | | 528 | 228 | | | 3/8 |
| 5-3/16 | 150 | 4-3/16 | 120 | 530 | 230 | 624 | 324 | 3/8 |
| 5-7/16 5-1/2 | 160 | 4-7/16, 4-1/2 | 130 | 532 | 232 | 626 | 326 | 3/8 |
| 5-15/16 6 | 170 | 4-15/16, 5 | 140 | 534 | 234 | 628 | 328 | 3/8 |
| 6-7/16 6-1/2 | 180 | 5-3/16 | 150 | 536 | 236 | 630 | 330 | 3/8 |
| 6-15/16 7 | 190 | 5-7/16 5-1/2 | 160 | 538 | 238 | 632 | 332 | 3/8 |
| 7-3/16 | 200 | 5-15/16, 6 | 170 | 540 | 240 | 634 | 334 | 3/8 |
| 7-1/2, | 220 | 6-15/16 7 | 190 | 544S | 244 | 638 | 338 | 3/8 |
| 7-15/16 8 | | - | | 544 | | | | |
| 8-7/16, 8-1/2 8-15/16, 9 | - | - | - | 048 | - | - | - | 5/8 |
| 9-7/16, 9-1/2 | - | - | - | 052 | - | - | - | 9/16 |
| 9-15/16, 10 | - | - | - | 056 | - | - | - | 1-5/8 |
| 10-7/16 10-1/2 | - | - | - | 056L | - | - | - | 1-5/8 |

* 1/4 Total Expansion

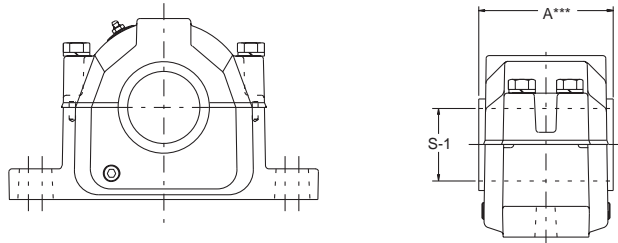
| | | | |
|---------------------------------|----------------------------|-----------------------------|-------------------------------------|
| FEATURES/BENEFITS PAGE B11-3 | HOW TO ORDER PAGE B11-9 | NOMENCLATURE PAGE B11-10 | SELECTION/DIMENSIONS PAGE B11-30 |
|---------------------------------|----------------------------|-----------------------------|-------------------------------------|



SELECTION/DIMENSIONS



USAF 500 Adapter Mount Pillow Block with TRIPLE-TECT Seal Assembly 500 SERIES OPEN END HOUSING



| Shaft Dia S-1 | Complete Pillow Block Part No. | Housing W/ Stab Ring Part No. | Bearing Part No. | Dynamic Capacity (C), lbs. | Max Rpm (Grease) |
|------------------|--------------------------------|-------------------------------|-----------------------|----------------------------|------------------|
| 1-7/16 | P2B509-USAF-107TT 043015 | H2S-509-USAF 043995 | BRG22209KC3 422134 | 24,500 | 5,600 |
| 1-11/16 | P2B510-USAF-111TT 043048 | H2S-510-USAF 043996 | BRG22210KC3 422137 | 26,000 | 5,300 |
| 1-15/16 | P2B511-USAF-115TT 043248 | H2S-511-USAF 043997 | BRG22211KC3 422123 | 31,500 | 4,500 |
| 2-3/16 | P2B513-USAF-203TT 043249 | H2S-513-USAF 043998 | BRG22213KC3 422124 | 45,500 | 3,800 |
| | P4B513-USAF-203TT 039579 | H4S-513-USAF 039669 | BRG22213KC3 422124 | | |
| 2-7/16 | P2B515-USAF-207TT 041860 | H2S-515-USAF 044000 | BRG22215KC3 422001 | 48,000 | 3,400 |
| | P4B515-USAF-207TT 041861 | H4S-515-USAF 044003 | BRG22215KC3 422001 | | |
| 2-1/2 | P2B515-USAF-208TT 041862 | H2S-515-USAF 044000 | BRG22215KC3 422001 | 48,000 | 3,400 |
| | P4B515-USAF-208TT 041863 | H4S-515-USAF 044003 | BRG22215KC3 422001 | | |
| 2-11/16 | P2B516-USAF-211TT 042406 | H2S-516-USAF 044198 | BRG22216KC3 422003 | 56,000 | 3,200 |
| | P4B516-USAF-211TT 044015 | H4S-516-USAF 044007 | BRG22216KC3 422003 | | |
| 2-3/4 | P2B516-USAF-212TT 042409 | H2S-516-USAF 044198 | BRG22216KC3 422003 | 56,000 | 3,200 |
| | P4B516-USAF-212TT 042423 | H4S-516-USAF 044007 | BRG22216KC3 422003 | | |
| 2-15/16 | P2B517-USAF-215TT 041864 | H2S-517-USAF 044010 | BRG22217KC3 422005 | 68,000 | 3,000 |
| | P4B517-USAF-215TT 041865 | H4S-517-USAF 044013 | BRG22217KC3 422005 | | |
| 3 | P2B517-USAF-300TT 041866 | H2S-517-USAF 044010 | BRG22217KC3 422005 | 68,000 | 3,000 |
| | P4B517-USAF-300TT 041867 | H4S-517-USAF 044013 | BRG22217KC3 422005 | | |
| 3-3/16 | P2B518-USAF-303TT 042422 | H2S-518-USAF 044199 | BRG22218KC3 422007 | 78,000 | 2,600 |
| | P4B518-USAF-303TT 044115 | H4S-518-USAF 044114 | BRG22218KC3 422007 | | |

| | | | |
|---------------------------------|----------------------------|-----------------------------|-------------------------------------|
| FEATURES/BENEFITS PAGE B11-3 | HOW TO ORDER PAGE B11-9 | NOMENCLATURE PAGE B11-10 | SELECTION/DIMENSIONS PAGE B11-30 |
|---------------------------------|----------------------------|-----------------------------|-------------------------------------|

SELECTION/DIMENSIONS



USAF 500 Adapter Mount Pillow Block with TRIPLE-TECT Seal Assembly 500 SERIES OPEN END HOUSING

| Shaft Dia S-1 | SNW Part No. | TRIPLE-TECT Part No. | TTDN Part No. | #LER Part No. | Aux Part No. | End Cover Part No. |
|------------------|------------------------|----------------------|---------------------|---------------------|--------------------|--------------------|
| 1-7/16 | H309-SNW-107 046350 | 08TT107 043578 | --- | 08LER107 042193 | | EC08 040700 |
| 1-11/16 | H310-SNW-111 046351 | 10TT111 043579 | --- | 10LER111 *042199 | | EC10 040701 |
| 1-15/16 | H311-SNW-115 046352 | 12TT115 043540 | 12TTDN115 039852 | 12LER115 042512 | 12AUX115 041687 | EC12 040702 |
| 2-3/16 | H313-SNW-203 046353 | 14TT203 043541 | 14TTDN203 039853 | 14LER203 042513 | 14AUX203 041688 | EC14 040703 |
| | H313-SNW-203 046353 | 14TT203 043541 | 14TTDN203 039853 | 14LER203 042513 | 14AUX203 041688 | EC14 040703 |
| 2-7/16 | H315-SNW-207 046354 | 20TT207 043542 | 20TTDN207 039538 | 20LER207 042514 | 20AUX207 042380 | EC20 040704 |
| | H315-SNW-207 046354 | 20TT207 043542 | 20TTDN207 039538 | 20LER207 042514 | 20AUX207 042380 | EC20 040704 |
| 2-1/2 | H315-SNW-208 046355 | 20TT208 043543 | 20TTDN208 039854 | 20LER208 042515 | 20AUX208 040890 | EC20 040704 |
| | H315-SNW-208 046355 | 20TT208 043543 | 20TTDN208 039854 | 20LER208 042515 | 20AUX208 040890 | EC20 040704 |
| 2-11/16 | H316-SNW-211 046356 | 24TT211 043544 | 24TTDN211 039855 | 24LER211 042516 | 24AUX211 042381 | EC24 040705 |
| | H316-SNW-211 046356 | 24TT211 043544 | 24TTDN211 039855 | 24LER211 042516 | 24AUX211 042381 | EC24 040705 |
| 2-3/4 | H316-SNW-212 046357 | 24TT212 043545 | 24TTDN212 039856 | 24LER212 042517 | 24AUX212 040891 | EC24 040705 |
| | H316-SNW-212 046357 | 24TT212 043545 | 24TTDN212 039856 | 24LER212 042517 | 24AUX212 040891 | EC24 040705 |
| 2-15/16 | H317-SNW-215 046358 | 28TT215 043546 | 28TTDN215 039530 | 28LER215 042518 | 28AUX215 042382 | EC28 040706 |
| | H317-SNW-215 046358 | 28TT215 043546 | 28TTDN215 039530 | 28LER215 042518 | 28AUX215 042382 | EC28 040706 |
| 3 | H317-SNW-300 046359 | 28TT300 043547 | 28TTDN300 039857 | 28LER300 042519 | 28AUX300 040918 | EC28 040706 |
| | H317-SNW-300 046359 | 28TT300 043547 | 28TTDN300 039857 | 28LER300 042519 | 28AUX300 040918 | EC28 040706 |
| 3-3/16 | H318-SNW-303 046360 | 34TT303 043548 | 34TTDN303 039858 | 34LER303 042520 | 34AUX303 040892 | EC34 040707 |
| | H318-SNW-303 046360 | 34TT303 043548 | 34TTDN303 039858 | 34LER303 042520 | 34AUX303 040892 | EC34 040707 |

NOTE: LER seals are made from Aluminum unless otherwise noted by the * symbol.

If an * appears by the part number, the LER seal is manufactured from Steel.

| | | | |
|---------------------------------|----------------------------|-----------------------------|-------------------------------------|
| FEATURES/BENEFITS PAGE B11-3 | HOW TO ORDER PAGE B11-9 | NOMENCLATURE PAGE B11-10 | SELECTION/DIMENSIONS PAGE B11-30 |
|---------------------------------|----------------------------|-----------------------------|-------------------------------------|



SELECTION/DIMENSIONS



USAF 500 Adapter Mount Pillow Block with TRIPLE-TECT Seal Assembly 500 SERIES OPEN END HOUSING

| Shaft Dia S-1 | Complete Pillow Block Part No. | Housing W/ Stab Ring Part No. | Bearing Part No. | Dynamic Capacity (C), lbs. | Max Rpm (Grease) |
|---------------|--------------------------------|-------------------------------|-----------------------|----------------------------|------------------|
| 3-7/16 | P2B520-USAF-307TT 041868 | H2S-520-USAF 044020 | BRG22220KC3 422009 | 96,500 | 2,200 |
| | P4B520-USAF-307TT 041869 | H4S-520-USAF 044023 | BRG22220KC3 422009 | | |
| 3-1/2 | P2B520-USAF-308TT 041870 | H2S-520-USAF 044020 | BRG22220KC3 422009 | 96,500 | 2,200 |
| | P4B520-USAF-308TT 041871 | H4S-520-USAF 044023 | BRG22220KC3 422009 | | |
| 3-15/16 | P4B522-USAF-315TT 041872 | H4S-522-USAF 044025 | BRG22222KC3 422011 | 122,000 | 2,000 |
| 4 | P4B522-USAF-400TT 041873 | H4S-522-USAF 044025 | BRG22222KC3 422011 | 122,000 | 2,000 |
| 4-3/16 | P4B524-USAF-403TT 042431 | H4S-524-USAF 044202 | BRG22224KC3 422013 | 143,000 | 1,900 |
| 4-7/16 | P4B526-USAF-407TT 041874 | H4S-526-USAF 044031 | BRG22226KC3 422015 | 170,000 | 1,800 |
| 4-1/2 | P4B526-USAF-408TT 041875 | H4S-526-USAF 044031 | BRG22226KC3 422015 | 170,000 | 1,800 |
| 4-15/16 | P4B528-USAF-415TT 041876 | H4S-528-USAF 044034 | BRG22228KC3 422017 | 196,000 | 1,700 |
| 5 | P4B528-USAF-500TT 041877 | H4S-528-USAF 044034 | BRG22228KC3 422017 | 196,000 | 1,700 |
| 5-3/16 | P4B530-USAF-503TT 042438 | H4S-530-USAF 044203 | BRG22230KC3 422019 | 228,000 | 1,600 |
| 5-7/16 | P4B532-USAF-507TT 041878 | H4S-532-USAF 044040 | BRG22232KC3 422021 | 260,000 | 1,500 |
| 5-1/2 | P4B532-USAF-508TT 041879 | H4S-532-USAF 044040 | BRG22232KC3 422021 | 260,000 | 1,500 |
| 5-15/16 | P4B534-USAF-515TT 041880 | H4S-534-USAF 044043 | BRG22234KC3 422023 | 300,000 | 1,300 |
| 6 | P4B534-USAF-600TT 041881 | H4S-534-USAF 044043 | BRG22234KC3 422023 | 300,000 | 1,300 |
| 6-7/16 | P4B536-USAF-607TT 041882 | H4S-536-USAF 044046 | BRG22236KC3 422025 | 305,000 | 1,300 |
| 6-1/2 | P4B536-USAF-608TT 041883 | H4S-536-USAF 044046 | BRG22236KC3 422025 | 305,000 | 1,300 |
| 6-15/16 | P4B538-USAF-615TT 041884 | H4S-538-USAF 044049 | BRG22238KC3 422027 | 270,000 | 1,200 |
| 7 | P4B538-USAF-700TT 041885 | H4S-538-USAF 044049 | BRG22238KC3 422027 | 270,000 | 1,200 |
| 7-3/16 | P4B540-USAF-703TT 039606 | H4S-540-USAF 039681 | BRG22240KC3 422064 | 300,000 | 900 |
| 7-1/2 | P4B544-USAF-708TT 042445 | H4S-544S-USAF 044054 | BRG22244KC3 422029 | 365,000 | 950 |
| 7-15/16 | P4B544-USAF-715TT 041886 | H4S-544-USAF 044055 | BRG22244KC3 422029 | 365,000 | 950 |

FEATURES/BENEFITS
PAGE B11-3

HOW TO ORDER
PAGE B11-9

NOMENCLATURE
PAGE B11-10

SELECTION/DIMENSIONS
PAGE B11-30

SELECTION/DIMENSIONS



USAF 500 Adapter Mount Pillow Block with TRIPLE-TECT Seal Assembly 500 SERIES OPEN END HOUSING

| Shaft Dia S-1 | SNW Part No. | TRIPLE-TECT Part No. | TTDN Part No. | #LER Part No. | Aux Part No. | End Cover Part No. |
|---------------|-------------------------|----------------------|---------------------|--------------------|---------------------|--------------------|
| 3-7/16 | H320-SNW-307 046361 | 46TT307 043549 | 46TTDN307 039859 | 46LER307 042521 | 46AUX307 042383 | EC46 040708 |
| | H320-SNW-307 046361 | 46TT307 043549 | 46TTDN307 039859 | 46LER307 042521 | 46AUX307 042383 | EC46 040708 |
| 3-1/2 | H320-SNW-308 046362 | 46TT308 043550 | 46TTDN308 039860 | 46LER308 042522 | 46AUX308 040919 | EC46 040708 |
| | H320-SNW-308 046362 | 46TT308 043550 | 46TTDN308 039860 | 46LER308 042522 | 46AUX308 040919 | EC46 040708 |
| 3-15/16 | H322-SNW-315 046363 | 50TT315 043551 | 50TTDN315 039861 | 50LER315 042523 | 50AUX315 042384 | EC50 040709 |
| 4 | H322-SNW-400 046364 | 50TT400 043552 | 50TTDN400 039862 | 50LER400 042524 | 50AUX400 040893 | EC50 040709 |
| 4-3/16 | H3124-SNW-403 046430 | 52TT403 043553 | 52TTDN403 039863 | 52LER403 042525 | 52AUX403 044360 | EC52 040710 |
| 4-7/16 | H3126-SNW-407 046431 | 54TT407 043554 | 54TTDN407 039864 | 54LER407 042526 | 54AUX407 042385 | EC54 040711 |
| 4-1/2 | H3126-SNW-408 046432 | 54TT408 043555 | 54TTDN408 039865 | 54LER408 042527 | 54AUX408 042386 | EC54 040711 |
| 4-15/16 | H3128-SNW-415 046433 | 56TT415 043556 | 56TTDN415 039866 | 56LER415 042528 | 56AUX415 042387 | EC56 040712 |
| 5 | H3128-SNW-500 046434 | 56TT500 043557 | 56TTDN500 039867 | 56LER500 042529 | 56AUX500 040894 | EC562 040712 |
| 5-3/16 | SNW30X503 043618 | 58TT503 043558 | --- | 58LER503 042530 | | EC58 040713 |
| 5-7/16 | SNW32X507 043619 | 60TT507 043559 | --- | 60LER507 042531 | 60AUX507 042388 | EC60 040714 |
| 5-1/2 | SNW32X508 043634 | 60TT508 043574 | --- | 60LER508 042532 | 60AUX508 040895 | EC60 040714 |
| 5-15/16 | SNW32X515 043620 | 64TT515 043560 | --- | 64LER515 042533 | 64AUX515 042389 | EC64 040681 |
| 6 | SNW34X600 043621 | 64TT600 043561 | --- | 64LER600 042534 | 64AUX600 041646 | EC64 040681 |
| 6-7/16 | SNW36X607 043622 | 68TT607 043562 | --- | 68LER607 042535 | 68AUX607 042390 | EC68 040682 |
| 6-1/2 | SNW36X608 043623 | 68TT608 043563 | --- | 68LER608 042536 | 68AUX608 042391 | EC68 040682 |
| 6-15/16 | SNW38X615 043624 | 72TT615 043564 | --- | 72LER615 042537 | 72AUX615 042392 | EC72 040683 |
| 7 | SNW38X700 043625 | 72TT700 043565 | --- | 72LER700 042538 | 72AUX700 043109 | EC72 040683 |
| 7-3/16 | SNW40X703 046545 | 74TT703 046421 | --- | 74LER703 043386 | 74AUX703 040690 | --- |
| 7-1/2 | SNW44X708 043627 | 76TT708 043567 | --- | 76LER708 042539 | 76AUX708 040896 | EC76 040684 |
| 7-15/16 | SNW44X715 043626 | 78TT715 043566 | --- | 78LER715 042540 | 78AUX715 042393* | EC78 040685 |

NOTE: LER seals are made from Aluminum unless otherwise noted by the * symbol.

If an * appears by the part number, the LER seal is manufactured from Steel.

| | | | |
|---------------------------------|----------------------------|-----------------------------|-------------------------------------|
| FEATURES/BENEFITS PAGE B11-3 | HOW TO ORDER PAGE B11-9 | NOMENCLATURE PAGE B11-10 | SELECTION/DIMENSIONS PAGE B11-30 |
|---------------------------------|----------------------------|-----------------------------|-------------------------------------|



SELECTION/DIMENSIONS



USAF 500 Adapter Mount Pillow Block with TRIPLE-TECT Seal Assembly 500 SERIES OPEN END HOUSING

| Shaft Dia S-1 | Complete Pillow Block Part No. | Housing W/ Stab Ring Part No. | Bearing Part No. | Dynamic Capacity (C), lbs. | Max Rpm (Grease) |
|---------------|--------------------------------|-------------------------------|-----------------------|----------------------------|------------------|
| 8 | P4B544-USAF-800TT 041887 | H4S-544-USAF 044055 | BRG22244KC3 422029 | 365,000 | 950 |
| 8-7/16 | P4B048-USAF-807TT 042447 | H4S-048-USAF 044200 | BRG23048KC3 422031 | 260,000 | 950 |
| 8-1/2 | P4B048-USAF-808TT 042448 | H4S-048-USAF 044200 | BRG23048KC3 422031 | 260,000 | 950 |
| 8-15/16 | P4B048-USAF-815TT 042449 | H4S-048-USAF 044200 | BRG23048KC3 422031 | 260,000 | 950 |
| 9 | P4B048-USAF-900TT 042453 | H4S-048-USAF 044200 | BRG23048KC3 422031 | 260,000 | 950 |
| 9-7/16 | P4B052-USAF-907TT 042454 | H4S-052-USAF 422542 | BRG23052KC3 422543 | 340,000 | 900 |
| 9-1/2 | P4B052-USAF-908TT 422544 | H4S-052-USAF 422542 | BRG23052KC3 422543 | 340,000 | 900 |
| 9-15/16 | P4B056-USAF-915TT 042458 | H4S-056-USAF 422560 | BRG23056KC3 422030 | 345,000 | 850 |
| 10 | P4B056-USAF-1000TT 041628 | H4S-056-USAF 422560 | BRG23056KC3 422030 | 345,000 | 850 |
| 10-7/16 | P4B056-USAF-1007TT 042463 | H4S-056L-USAF 044201 | BRG23056KC3 422030 | 345,000 | 850 |
| 10-1/2 | P4B056-USAF-1008TT 042464 | H4S-056L-USAF 044201 | BRG23056KC3 422030 | 345,000 | 850 |

IMPERIAL - USAF

UNIFIED SAF

International Bearings

Sleeve Bearing

SLEEVOIL

| | | | |
|---------------------------------|----------------------------|-----------------------------|-------------------------------------|
| FEATURES/BENEFITS PAGE B11-3 | HOW TO ORDER PAGE B11-9 | NOMENCLATURE PAGE B11-10 | SELECTION/DIMENSIONS PAGE B11-30 |
|---------------------------------|----------------------------|-----------------------------|-------------------------------------|

SELECTION/DIMENSIONS



USAF 500 Adapter Mount Pillow Block with TRIPLE-TECT Seal Assembly 500 SERIES OPEN END HOUSING

| Shaft Dia S-1 | SNW Part No. | TRIPLE-TECT Part No. | TTDN Part No. | #LER Part No. | Aux Part No. | End Cover Part No. |
|---------------|------------------------|----------------------|---------------|----------------------|----------------------|--------------------|
| 8 | SNW44X800 043628 | 78TT800 043568 | --- | 78LER800 042541* | 78AUX800 042394* | EC78 040685 |
| 8-7/16 | SNP3048X807 043629 | 90TT807 043569 | --- | 90LER807 042542* | 90AUX807 040897* | EC90 042368 |
| 8-1/2 | SNP3048X808 043630 | 90TT808 043570 | --- | 90LER808 042543* | 90AUX808 040898* | EC90 042368 |
| 8-15/16 | SNP3048X815 043631 | 90TT815 043571 | --- | 90LER815 042544* | | EC90 042368 |
| 9 | SNP3048X900 043632 | 90TT900 043572 | --- | 90LER900 042545* | 90AUX900 040995* | EC90 042368 |
| 9-7/16 | SNP3052X907 043585 | 84TT907 043538 | --- | 84LER907 042510* | 84AUX907 040900* | EC84 422606 |
| 9-1/2 | SNP3052X908 422538 | 84TT908 422545 | --- | 84LER908 042594* | 84AUX908 040901* | EC84 422606 |
| 9-15/16 | SNP3056X915 043586 | 92TT915 043575 | --- | 92LER915 042511* | | EC92 042369 |
| 10 | SNP3056X1000 043633 | 92TT1000 043573 | --- | 92LER1000 041082* | 92AUX1000 042395* | EC92 042369 |
| 10-7/16 | SNP3056X1007 043580 | 94TT1007 047940 | --- | 94LER1007 042036* | | EC94 040689 |
| 10-1/2 | SNP3056X1008 422567 | 94TT1008 047941 | --- | 94LER1008 422573* | 94AUX1008 042396* | EC94 040689 |

NOTE: LER seals are made from Aluminum unless otherwise noted by the * symbol.

If an * appears by the part number, the LER seal is manufactured from Steel.

IMPERIAL - ISAF

UNIFIED SAF

International Bearings

Sleeve Bearing

SLEEVOIL

| | | | |
|---------------------------------|----------------------------|-----------------------------|-------------------------------------|
| FEATURES/BENEFITS PAGE B11-3 | HOW TO ORDER PAGE B11-9 | NOMENCLATURE PAGE B11-10 | SELECTION/DIMENSIONS PAGE B11-30 |
|---------------------------------|----------------------------|-----------------------------|-------------------------------------|



SELECTION/DIMENSIONS



USAF 500 Adapter Mount Pillow Block with TRIPLE-TECT Seal Assembly 500 SERIES CAST CLOSED HOUSING

| Shaft Dia S-1 | Complete Pillow Block Part No. | Housing Part No. ** | Bearing Part No. | Dynamic Capacity (C), lbs. | Max Rpm (Grease) | SNW Part No. | 1-7/16" - 4-15/16" Seals | | | |
|---------------|--------------------------------|-------------------------|-----------------------|----------------------------|------------------|------------------------|--------------------------|------------------------------|--------------------|-----------------------|
| | | | | | | | TRIPLE-TECT Part No. | Drop In TRIPLE-TECT Part No. | # LER Part No. | Aux Taconite Part No. |
| 1-7/16 | CP2B509-USAF-107TT 039575 | CH2S-509-USAF 039665 | BRG22209KC3 422134 | 24,500 | 5,600 | H309-SNW-107 046350 | 08TT107 043578 | --- | 08LER107 042193 | |
| | CP2B510--USAF-111TT 039576 | CH2S-510-USAF 039666 | BRG22210KC3 422137 | 26,000 | 5,300 | H310-SNW-111 046351 | 10TT111 043579 | --- | 10LER111 042199 | |
| 1-11/16 | CP2B511-USAF-115TT 039577 | CH2S-511-USAF 039667 | BRG22211KC3 422123 | 31,500 | 4,500 | H311-SNW-115 046352 | 12TT115 043540 | 12TTDN115 039852 | 12LER115 042512 | 12AUX115 041687 |
| 2-3/16 | CP2B513-USAF-203TT 039578 | CH2S-513-USAF 039668 | BRG22213KC3 422124 | 45,500 | 3,800 | H313-SNW-203 046353 | 14TT203 043541 | 14TTDN203 039853 | 14LER203 042513 | 14AUX203 041688 |
| | CP4B513-USAF-203TT 039580 | CH4S-513-USAF 039670 | BRG22213KC3 422124 | 45,500 | 3,800 | H313-SNW-203 046353 | 14TT203 043541 | 14TTDN203 039853 | 14LER203 042513 | 14AUX203 041688 |
| 2-7/16 | CP2B515-USAF-207TT 039581 | CH2S-515-USAF 039544 | BRG22215KC3 422001 | 48,000 | 3,400 | H315-SNW-207 046354 | 20TT207 043542 | 20TTDN207 039538 | 20LER207 042514 | 20AUX207 042380 |
| | CP4B515-USAF-207TT 039582 | CH4S-515-USAF 039545 | BRG22215KC3 422001 | 48,000 | 3,400 | H315-SNW-207 046354 | 20TT207 043542 | 20TTDN207 039538 | 20LER207 042514 | 20AUX207 042380 |
| 2-1/2 | CP2B515-USAF-208TT 039583 | CH2S-515-USAF 039544 | BRG22215KC3 422001 | 48,000 | 3,400 | H315-SNW-208 046355 | 20TT208 043543 | 20TTDN208 039854 | 20LER208 042515 | 20AUX208 040890 |
| | CP4B515-USAF-208TT 039584 | CH4S-515-USAF 039545 | BRG22215KC3 422001 | 48,000 | 3,400 | H315-SNW-208 046355 | 20TT208 043543 | 20TTDN208 039854 | 20LER208 042515 | 20AUX208 040890 |
| 2-11/16 | CP2B516-USAF-211TT 039585 | CH2S-516-USAF 039671 | BRG22216KC3 422003 | 56,000 | 3,200 | H316-SNW-211 046356 | 24TT211 043544 | 24TTDN211 039855 | 24LER211 042516 | 24AUX211 042381 |
| | CP4B516-USAF-211TT 039586 | CH4S-516-USAF 039672 | BRG22216KC3 422003 | 56,000 | 3,200 | H316-SNW-211 046356 | 24TT211 043544 | 24TTDN211 039855 | 24LER211 042516 | 24AUX211 042381 |
| 2-3/4 | CP2B516-USAF-212TT 039587 | CH2S-516-USAF 039671 | BRG22216KC3 422003 | 56,000 | 3,200 | H316-SNW-212 046357 | 24TT212 043545 | 24TTDN212 039856 | 24LER212 042517 | 24AUX212 040891 |
| | CP4B516-USAF-212TT 039588 | CH4S-516-USAF 039672 | BRG22216KC3 422003 | 56,000 | 3,200 | H316-SNW-212 046357 | 24TT212 043545 | 24TTDN212 039856 | 24LER212 042517 | 24AUX212 040891 |
| 2-15/16 | CP2B517-USAF-215TT 039589 | CH2S-517-USAF 039508 | BRG22217KC3 422005 | 68,000 | 3,000 | H317-SNW-215 046358 | 28TT215 043546 | 28TTDN215 039530 | 28LER215 042518 | 28AUX215 042382 |
| | CP4B517-USAF-215TT 039590 | CH4S-517-USAF 039509 | BRG22217KC3 422005 | 68,000 | 3,000 | H317-SNW-215 046358 | 28TT215 043546 | 28TTDN215 039530 | 28LER215 042518 | 28AUX215 042382 |
| 3 | CP2B517-USAF-300TT 039591 | CH2S-517-USAF 039508 | BRG22217KC3 422005 | 68,000 | 3,000 | H317-SNW-300 046359 | 28TT300 043547 | 28TTDN300 039857 | 28LER300 042519 | 28AUX300 040918 |
| | CP4B517-USAF-300TT 039592 | CH4S-517-USAF 039509 | BRG22217KC3 422005 | 68,000 | 3,000 | H317-SNW-300 046359 | 28TT300 043547 | 28TTDN300 039857 | 28LER300 042519 | 28AUX300 040918 |
| 3-3/16 | CP2B518-USAF-303TT 039593 | CH2S-518-USAF 039673 | BRG22218KC3 422007 | 78,000 | 2,600 | H318-SNW-303 046360 | 34TT303 043548 | 34TTDN303 039858 | 34LER303 042520 | 34AUX303 040892 |
| | CP4B518-USAF-303TT 039594 | CH4S-518-USAF 039674 | BRG22218KC3 422007 | 78,000 | 2,600 | H318-SNW-303 046360 | 34TT303 043548 | 34TTDN303 039858 | 34LER303 042520 | 34AUX303 040892 |
| 3-7/16 | CP2B520-USAF-307TT 039595 | CH2S-520-USAF 039675 | BRG22220KC3 422009 | 96,500 | 2,200 | H320-SNW-307 046361 | 46TT307 043549 | 46TTDN307 039859 | 46LER307 042521 | 46AUX307 042383 |
| | CP4B520-USAF-307TT 039596 | CH4S-520-USAF 039676 | BRG22220KC3 422009 | 96,500 | 2,200 | H320-SNW-307 046361 | 46TT307 043549 | 46TTDN307 039859 | 46LER307 042521 | 46AUX307 042383 |

Note: LER seals are made from Aluminum unless otherwise noted by the * symbol.
If an * appears by the part number, the LER seal is manufactured from Steel.

| | | | |
|---------------------------------|----------------------------|-----------------------------|-------------------------------------|
| FEATURES/BENEFITS PAGE B11-3 | HOW TO ORDER PAGE B11-9 | NOMENCLATURE PAGE B11-10 | SELECTION/DIMENSIONS PAGE B11-30 |
|---------------------------------|----------------------------|-----------------------------|-------------------------------------|

SELECTION/DIMENSIONS



USAF 500 Adapter Mount Pillow Block with TRIPLE-TECT Seal Assembly 500 SERIES CAST CLOSED HOUSING

| SHAFT DIA S-1 | COMPLETE PILLOW BLOCK PART NO. | HOUSING PART NO. ** | BEARING PART NO. | DYNAMIC CAPACITY (C) LBS. | MAX RPM LER (GREASE) | SNW PART NO. | 5" - 10-1/2" SEALS | | | |
|---------------|--------------------------------|--------------------------|-----------------------|---------------------------|----------------------|-------------------------|----------------------|------------------------------|--------------------|-----------------------|
| | | | | | | | TRIPLE TECT PART NO. | DROP IN TRIPLE TECT PART NO. | # LER PART NO. | AUX TACONITE PART NO. |
| 3-1/2 | CP2B520-USAF-308TT 039597 | CH2S-520-USAF 039675 | BRG22220KC3 422009 | 96,500 | 2,200 | H320-SNW-308 046362 | 46TT308 043550 | 46TTDN308 039860 | 46LER308 042522 | 46AUX308 040919 |
| | CP4B520-USAF-308TT 039598 | CH4S-520-USAF 039676 | BRG22220KC3 422009 | 96,500 | 2,200 | H320-SNW-308 046362 | 46TT308 043550 | 46TTDN308 039860 | 46LER308 042522 | 46AUX308 040919 |
| 3-15/16 | CP4B522-USAF-305TT 039599 | CH4S-522-USAF 039677 | BRG22222KC3 422011 | 122,000 | 2,000 | H322-SNW-315 046363 | 50TT315 043554 | 50TTDN315 039861 | 50LER315 042523 | 50AUX315 042384 |
| 4 | CP4B522-USAF-400TT 039600 | CH4S-522-USAF 039677 | BRG22222KC3 422011 | 122,000 | 2,000 | H322-SNW-400 046364 | 50TT400 043552 | 50TTDN400 039862 | 50LER400 042524 | 50AUX400 040893 |
| 4-3-16 | CP4B524-USAF-403TT 039601 | CH4S-524-USAF 039678 | BRG22224KC3 422013 | 143,000 | 1,900 | H3124-SNW-403 046430 | 52TT403 043553 | 52TTDN403 039863 | 52LER403 042525 | 52AUX403 044360 |
| 4-7/16 | CP4B526-USAF-407TT 039602 | CH4S-526-USAF 039679 | BRG22226KC3 422015 | 170,000 | 1,800 | H3126-SNW-407 046431 | 54TT407 043554 | 54TTDN407 039864 | 54LER407 042526 | 54AUX407 042385 |
| 4-1/2 | CP4B526-USAF-408TT 039603 | CH4S-526-USAF 039679 | BRG22226KC3 422015 | 170,000 | 1,800 | H3126-SNW-408 046432 | 54TT408 043555 | 54TTDN408 039865 | 54LER408 042527 | 54AUX408 042386 |
| 4-15/16 | CP4B528-USAF-415TT 039604 | CH4S-528-USAF 039680 | BRG22228KC3 422017 | 196,000 | 1,700 | H3128-SNW-415 046433 | 56TT415 043556 | 56TTDN415 039866 | 56LER415 042528 | 56AUX415 042387 |
| 5 | CP4B528-USAF-500TT 039605 | CH4S-528-USAF 039680 | BRG22228KC3 422017 | 196,000 | 1,700 | H3128-SNW-500 046434 | 56TT500 043557 | 56TTDN500 039867 | 56LER500 042529 | 56AUX500 040894 |
| 5-3/16 | CP4B530-USAF-503TT 039138 | CH4S-530-USAF 039217 | BRG2223KC3 422019 | 228,000 | 1,600 | SNW30X503 043618 | 58TT503 043558 | --- | 58LER503 042530 | |
| 5-7/16 | CP4B532-USAF-507TT 039141 | CH4S-532-USAF 039218 | BRG22232KC3 422021 | 260,000 | 1,500 | SNW32X507 043619 | 60TT507 043559 | --- | 60LER507 042531 | 60AUX507 |
| 5-1/2 | CP4B532-USAF-508TT 039142 | CH4S-532-USAF 039218 | BRG22232KC3 422021 | 260,000 | 1,500 | SNW32X508 043634 | 60TT508 043574 | --- | 60LER508 042532 | 60AUX508 040895 |
| 5-15/16 | CP4B534-USAF-515TT 039147 | CH4S-534-USAF 039219 | BRG22234KC3 422023 | 300,000 | 1,300 | SNW32X515 043620 | 64TT515 043560 | --- | 64LER515 042533 | 64AUX515 042389 |
| 6 | CP4B534-USAF-600TT 039148 | CH4S-534-USAF 039219 | BRG22234KC3 422023 | 300,000 | 1,300 | SNW34X600 043621 | 64TT600 043561 | --- | 64LER600 042534 | 64AUX600 041646 |
| 6-7/16 | CP4B536-USAF-607TT 039151 | CH4S-536-USAF 039220 | BRG22236KC3 422025 | 305,000 | 1,300 | SNW36X607 043622 | 68TT607 042562 | --- | 68LER607 042535 | 68AUX607 042390 |
| 6-1/2 | CP4B536-USAF-608TT 039152 | CH4S-536-USAF 039220 | BRG22236KC3 422025 | 305,000 | 1,300 | SNW36X608 043623 | 68TT608 043563 | --- | 68LER608 042536 | 68AUX608 042391 |
| 6-15/16 | CP4B538-USAF-615TT 039155 | CH4S-538-USAF 039221 | BRG22238KC3 422027 | 270,000 | 1,200 | SNW38X615 043624 | 72TT615 043564 | --- | 72LER615 042537 | 72AUX615 042392 |
| 7 | CP4B538-USAF-700TT 039156 | CH4S-538-USAF 039221 | BRG22238KC3 422027 | 270,000 | 1,200 | SNW38X700 043625 | 72TT700 043565 | --- | 72LER700 042538 | 72AUX700 043109 |
| 7-3/16 | CP4B540-USAF-703TT 039159 | CH4S-540-USAF 039222 | BRG22240KC3 422064 | 300,000 | 900 | SNW40X703 046545 | 74TT703 046421 | --- | 74LER703 043386 | 74AUX703 040690 |
| 7-1/2 | CP4B544-USAF-708TT 039160 | CH4S-544S-USAF 039223 | BRG22244KC3 422029 | 365,000 | 950 | SNW44X708 043627 | 76TT708 043567 | --- | 76LER708 042539 | 76AUX708 040896 |
| 7-15/16 | CP4B544-USAF-715TT 039163 | CH4S-544-USAF 039224 | BRG22244KC3 422029 | 365,000 | 950 | SNW44X715 043626 | 78TT715 043566 | --- | 78LER715 042540 | 78AUX715 042393* |

NOTE: LER seals are made from aluminum unless otherwise noted by the * symbol.
If an * appears by the part number, the LER seal is manufactured from steel.

| | | | |
|---------------------------------|----------------------------|-----------------------------|-------------------------------------|
| FEATURES/BENEFITS PAGE B11-3 | HOW TO ORDER PAGE B11-9 | NOMENCLATURE PAGE B11-10 | SELECTION/DIMENSIONS PAGE B11-30 |
|---------------------------------|----------------------------|-----------------------------|-------------------------------------|



SELECTION/DIMENSIONS



USAF 500 Adapter Mount Pillow Block with TRIPLE-TECT Seal Assembly 500 SERIES CAST CLOSED HOUSING

| SHAFT DIA S-1 | COMPLETE PILLOW BLOCK PART NO. | HOUSING PART NO. ** | BEARING PART NO. | DYNAMIC CAPACITY (C) LBS. | MAX RPM LER (GREASE) | SNW PART NO. | 5" - 10-1/2" SEALS | | | |
|---------------|--------------------------------|--------------------------|-----------------------|---------------------------|----------------------|------------------------|----------------------|------------------------------|----------------------|-----------------------|
| | | | | | | | TRIPLE TECT PART NO. | DROP IN TRIPLE TECT PART NO. | # LER PART NO. | AUX TACONITE PART NO. |
| 8 | CP4B544-USAF-800TT 039164 | CH4S-544-USAF 039224 | BRG22244KC3 422029 | 365,000 | 950 | SNW44X800 043628 | 78TT800 043568 | --- | 78LER800 042541* | 78AUX800 042394* |
| 8-7/16 | CP4B048-USAF-807TT 039165 | CH4S-048-USAF 039225 | BRG23048KC3 422031 | 260,000 | 800 | SNP3048X807 043629 | 90TT807 043569 | --- | 90LER807 042542* | 90AUX807 040897* |
| 8-1/2 | CP4B048-USAF-808TT 039166 | CH4S-048-USAF 039225 | BRG23048KC3 422031 | 260,000 | 800 | SNP3048X808 043630 | 90TT808 043570 | --- | 90LER808 042543* | 90AUX808 040898* |
| 8-15/16 | CP4B048-USAF-815TT 039167 | CH4S-048-USAF 039225 | BRG23048KC3 422031 | 260,000 | 800 | SNP3048X815 043631 | 90TT815 043571 | --- | 90LER815 042544* | |
| 9 | CP4B048-USAF-900TT 039168 | CH4S-048-USAF 039225 | BRG23048KC3 422031 | 260,000 | 800 | SNP3048X900 043632 | 90TT900 043572 | --- | 90LER900 042545* | 90AUX900 040995* |
| 9-7/16 | CP4B052-USAF-907TT 039169 | CH4S-052-USAF 039226 | BRG23052KC3 422543 | 340,000 | 750 | SNP3052X907 043585 | 84TT907 043538 | --- | 84LER907 042510* | 84AUX907 040900* |
| 9-1/2 | CP4B052-USAF-908TT 039170 | CH4S-052-USAF 039226 | BRG23052KC3 422543 | 340,000 | 750 | SNP3052X908 422538 | 84TT908 422545 | --- | 84LER908 042594* | 84AUX908 040901* |
| 9-15/16 | CP4B056-USAF-915TT 039171 | CH4S-056-USAF 039227 | BRG23056KC3 422030 | 345,000 | 700 | SNP3056X915 043586 | 92TT915 043575 | --- | 92LER915 042511* | |
| 10 | CP4B056-USAF-1000TT 039172 | CH4S-056-USAF 039227 | BRG23056KC3 422030 | 345,000 | 700 | SNP3056X1000 043633 | 92TT1000 043573 | --- | 92LER1000 041082* | 92AUX1000 042395* |
| 10-7/16 | CP4B056-USAF-1007TT 039173 | CH4S-056L-USAF 039228 | BRG23056KC3 422030 | 345,000 | 700 | SNP3056X1007 043580 | 94TT1007 047940 | --- | 94LER1007 042036* | |
| 10-1/2 | CP4B056-USAF-1008TT 039174 | CH4S-056L-USAF 039228 | BRG23056KC3 422030 | 345,000 | 700 | SNP3056X1008 422567 | 94TT1008 047941 | --- | 94LER1008 422573* | 94AUX1008 042396* |

NOTE: LER seals are made from aluminum unless otherwise noted by the * symbol.
If an * appears by the part number, the LER seal is manufactured from steel.

IMPERIAL - ISAF

UNIFIED SAF

International Bearings

Sleeve Bearing

SLEEVOIL

| | | | |
|---------------------------------|----------------------------|-----------------------------|-------------------------------------|
| FEATURES/BENEFITS PAGE B11-3 | HOW TO ORDER PAGE B11-9 | NOMENCLATURE PAGE B11-10 | SELECTION/DIMENSIONS PAGE B11-30 |
|---------------------------------|----------------------------|-----------------------------|-------------------------------------|

SELECTION/DIMENSIONS



USAF 500 Adapter Mount Pillow Block Housing

| S-1 Shaft Size (Inch) | Housing | 500 Housing † | | | | | | | |
|---------------------------------|---------|---------------|-------------------|----------|-------------------|--------------------|-------------------|----------|-------------------|
| | | Thru Housing | | | | Closed End Housing | | | |
| | | 2-Bolt | | 4-Bolt | | 2-Bolt | | 4-Bolt | |
| | | Part No. | Approx. Wt. (Lbs) | Part No. | Approx. Wt. (Lbs) | Part No. | Approx. Wt. (Lbs) | Part No. | Approx. Wt. (Lbs) |
| 1-7/16 | 509 | 043995 | 9.5 | - | - | 039665 | 10.0 | - | - |
| 1-11/16 | 510 | 043996 | 11.3 | - | - | 039666 | 12.1 | - | - |
| 1-15/16 | 511 | 043997 | 15.6 | 039762 | 22.5 | 039667 | 16.5 | - | 23.5 |
| 2-3/16 | 513 | 043998 | 21.4 | 039669 | 22.5 | 039668 | 22.4 | 039670 | 23.5 |
| 2-7/16 2-1/2 | 515 | 044000 | 24.8 | 044003 | 26.4 | 039544 | 26.6 | 039545 | 27.9 |
| 2-11/16 2-3/4 | 516 | 044198 | 28.0 | 044007 | 28.0 | 039671 | 29.0 | 039672 | 29.0 |
| 2-15/16 3 | 517 | 044010 | 34.7 | 044013 | 38.3 | 039508 | 37.0 | 039509 | 40.6 |
| 3-3/16 | 518 | 044199 | 36.8 | 044114 | 37.2 | 039673 | 40.7 | 039674 | 41.2 |
| 3-7/16 3-1/2 | 520 | 044020 | 61.2 | 044023 | 61.8 | 039675 | 65.3 | 039676 | 65.9 |
| 3-15/16 4 | 522 | - | - | 044025 | 78.9 | - | - | 039677 | 84.0 |
| 4-3/16 | 524 | - | - | 044202 | 90.6 | - | - | 039678 | 96.1 |
| 4-7/16 4-1/2 | 526 | - | - | 044031 | 121.6 | - | - | 039679 | 128.2 |
| 4-15/16 5 | 528 | - | - | 044034 | 152.2 | - | - | 039680 | 162.2 |
| 5-3/16 | 530 | - | - | 044203 | 170.5 | - | - | 039217 | 182.3 |
| 5-7/16 5-1/2 | 532 | - | - | 044040 | 220.1 | - | - | 039218 | 235.2 |
| 5-15/16 6 | 534 | - | - | 044043 | 269.9 | - | - | 039219 | 282.8 |
| 6-7/16 6-1/2 | 536 | - | - | 044046 | 328.5 | - | - | 039220 | 349.7 |
| 6-15/16 7 | 538 | - | - | 044049 | 384.7 | - | - | 039221 | 409.4 |
| 7-3/16 | 540 | - | - | 039681 | 393.0 | - | - | 039222 | 403.0 |
| 7-1/2 | 544S | - | - | 044054 | 624.0 | - | - | 039223 | 634.0 |
| 7-15/16 8 | 544 | - | - | 044055 | 621.0 | - | - | 039224 | 631.0 |
| 8-7/16 8-1/2 8-15/16 9 | 048 | - | - | 044200 | 386.0 | - | - | 039225 | 412.2 |
| 9-7/16 9-1/2 | 052 | - | - | 422542 | 575.0 | - | - | 039226 | 590.4 |
| 9-15/16 10 | 056 | - | - | 422560 | 692.0 | - | - | 039227 | 722.6 |
| 10-7/16 10-1/2 | 056L | - | - | 044201 | 690.0 | - | - | 039228 | 720.0 |

† Includes Stabilizing Ring(s)

| | | | |
|---------------------------------|----------------------------|-----------------------------|-------------------------------------|
| FEATURES/BENEFITS PAGE B11-3 | HOW TO ORDER PAGE B11-9 | NOMENCLATURE PAGE B11-10 | SELECTION/DIMENSIONS PAGE B11-30 |
|---------------------------------|----------------------------|-----------------------------|-------------------------------------|

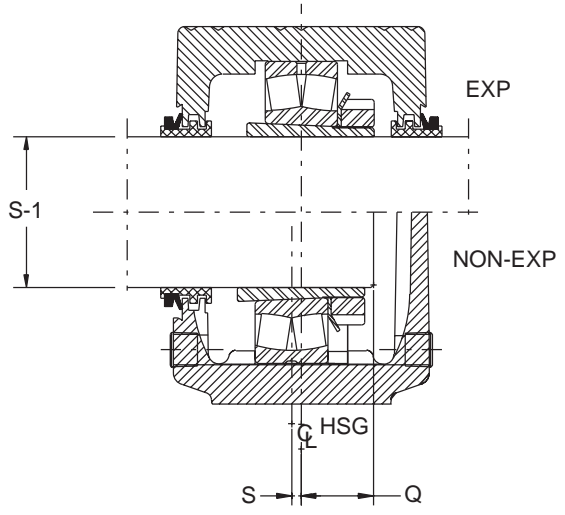
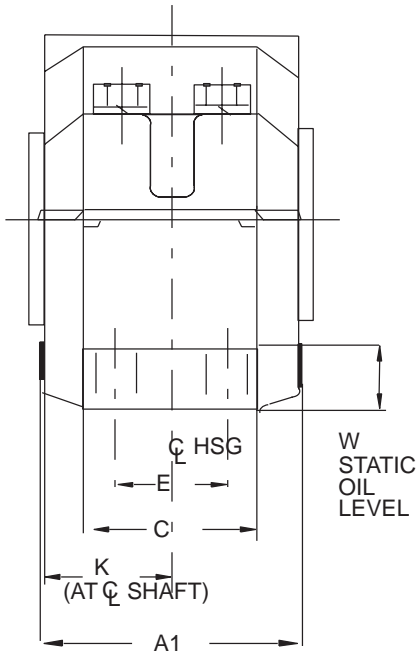
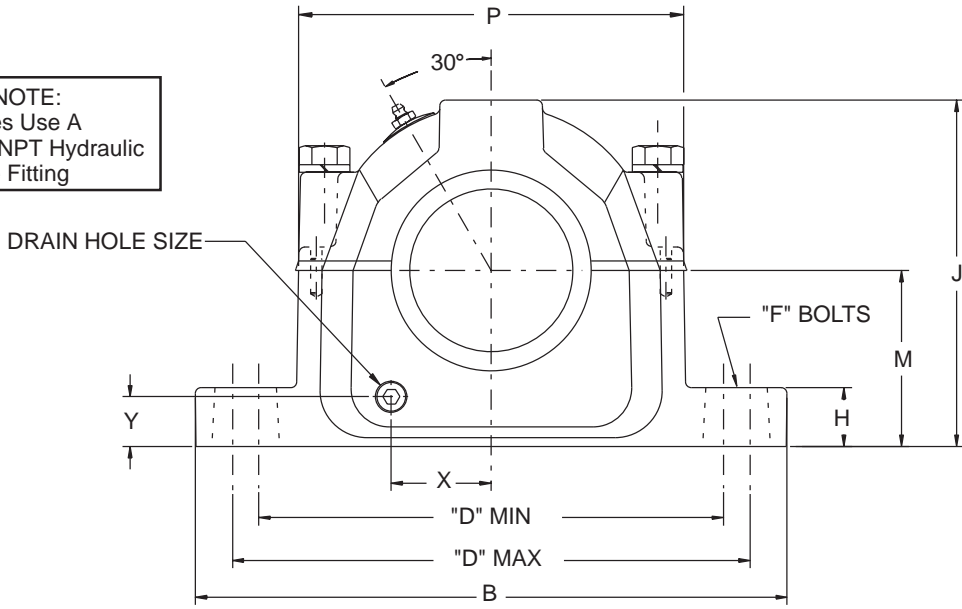


SELECTION/DIMENSIONS



USAF 500 Housing Dimensions

LUBE NOTE:
 All Sizes Use A
 1/8-27 NPT Hydraulic
 Grease Fitting



IMPERIAL - ISAF

UNIFIED SAF

International Bearings

Sleeve Bearing

SLEEVOIL

| | | | |
|---------------------------------|----------------------------|-----------------------------|-------------------------------------|
| FEATURES/BENEFITS PAGE B11-3 | HOW TO ORDER PAGE B11-9 | NOMENCLATURE PAGE B11-10 | SELECTION/DIMENSIONS PAGE B11-30 |
|---------------------------------|----------------------------|-----------------------------|-------------------------------------|

SELECTION/DIMENSIONS



USAF 500 Housing Dimensions

| S-1 Shaft Size | Housing | A1▲ | B | C | D | | | | E | F | |
|----------------------|---------|---------|----------|---------|--------|--------|----------|--------|-------|-----------|--------|
| | | | | | 2-Bolt | | 4-Bolt | | | Bolt Dia. | |
| | | | | | Min | Max | Min | Max | | 2-Bolt | 4-Bolt |
| 1-7/16 | 509 | 3-7/8 | 8-1/4 | 2-3/8 | 6-1/4 | 7 | - | - | - | 1/2 | |
| 1-11/16 | 510 | 4-1/16 | 8-1/4 | 2-11/32 | 6-1/2 | 7 | - | - | - | 1/2 | |
| 1-15/16 | 511 | 4-1/4 | 9-5/8 | 2-3/4 | 7-3/8 | 8-1/4 | - | - | - | 5/8 | |
| 2-3/16 | 513 | 4-41/64 | 11 | 3-1/8 | 8-1/8 | 9-1/2 | 8-1/8 | 9-1/2 | 1-7/8 | 5/8 | 1/2 |
| 2-7/16 2-1/2 | 515 | 5-13/64 | 11-1/8 | 3-1/8 | 8-5/8 | 9-5/8 | 8-5/8 | 9-5/8 | 1-7/8 | 5/8 | 1/2 |
| 2-11/16 2-3/4 | 516 | 5-7/16 | 12-19/32 | 3-1/2 | 9-5/8 | 11 | 9-5/8 | 11 | 2-1/8 | 3/4 | 5/8 |
| 2-15/16 3 | 517 | 5-25/64 | 12-19/32 | 3-1/2 | 9-7/8 | 11 | 9-7/8 | 11 | 2-1/8 | 3/4 | 5/8 |
| 3-3/16 | 518 | 6-5/32 | 13-5/8 | 3-7/8 | 10-1/4 | 11-3/4 | 10-3/8 | 11-5/8 | 2-1/8 | 3/4 | 5/8 |
| 3-7/16 3-1/2 | 520 | 6-25/32 | 15-23/64 | 4-11/32 | 11-5/8 | 13-1/8 | 11-5/8 | 13-1/8 | 2-3/8 | 7/8 | 3/4 |
| 3-15/16 4 | 522 | 7-5/64 | 16-1/2 | 4-3/4 | - | - | 12-19/32 | 14-1/2 | 2-3/4 | - | 3/4 |
| 4-3/16 | 524 | 8-3/64 | 16-1/2 | 4-23/32 | - | - | 13-1/4 | 14-1/2 | 2-3/4 | - | 3/4 |
| 4-7/16 4-1/2 | 526 | 8-17/64 | 18-3/8 | 5-1/8 | - | - | 14-1/2 | 16 | 3-1/4 | - | 7/8 |
| 4-15/16 5 | 528 | 8-49/64 | 19-11/16 | 5-7/8 | - | - | 15-5/8 | 17-3/8 | 3-3/8 | - | 1 |

| S-1 Shaft Size | Housing | H | J | K | M | P | Q ★ | S ● | W Static Oil Level | X | Y | Drain Hole Size |
|----------------------|---------|---------|----------|---------|---------|----------|---------|--------|-----------------------------|---------|---------|-----------------------|
| 1-7/16 | 509 | 7/8 | 4-19/64 | 1-25/32 | 2-1/4 | 4-7/8 | 1-1/32 | 1/8 | 59/64 | 1-3/32 | 5/8 | 1/8-27NPSI |
| 1-11/16 | 510 | 1-1/32 | 4-37/64 | 1-7/8 | 2-1/2 | 5-1/8 | 1-7/64 | 1/8 | 1-5/64 | 1-1/4 | 13/16 | 1/8-27NPSI |
| 1-15/16 | 511 | 1-1/32 | 5-1/4 | 1-31/32 | 2-3/4 | 5-25/32 | 1-13/64 | 1/8 | 1-5/32 | 1-15/16 | 53/64 | 1/8-27NPSI |
| 2-3/16 | 513 | 1-1/32 | 5-15/16 | 2-5/32 | 3 | 6-1/2 | 1-3/8 | 5/32 | 1-7/64 | 1-21/32 | 25/32 | 1/8-27NPSI |
| 2-7/16 2-1/2 | 515 | 1-1/4 | 6-7/16 | 2-5/16 | 3-1/4 | 7-1/16 | 1-25/64 | 1/8 | 1-5/32 | 1-25/32 | 7/8 | 1/4-18NPSF |
| 2-11/16 2-3/4 | 516 | 1-1/16 | 6-3/4 | 2-27/64 | 3-1/2 | 7-15/16 | 1-7/16 | 3/16 | 1-1/4 | 1-31/32 | 61/64 | 1/4-18NPSF |
| 2-15/16 3 | 517 | 1-1/4 | 7-3/8 | 2-15/32 | 3-3/4 | 8-3/16 | 1-1/2 | 3/16 | 1-3/8 | 2-1/8 | 1-1/16 | 3/8-18NPSF |
| 3-3/16 | 518 | 1-7/16 | 7-3/4 | 2-27/32 | 4 | 8-21/32 | 1-23/32 | 3/16 | 1-15/32 | 2-1/4 | 1-1/8 | 3/8-18NPSF |
| 3-7/16 3-1/2 | 520 | 1-21/32 | 8-3/4 | 3-5/32 | 4-1/2 | 9-25/32 | 1-59/64 | 3/16 | 1-41/64 | 2-5/8 | 1-1/4 | 3/8-18NPSF |
| 3-15/16 4 | 522 | 1-25/32 | 9-13/32 | 3-19/64 | 4-15/16 | 10-19/32 | 2-3/32 | 3/16 | 1-51/64 | 2-7/8 | 1-11/32 | 3/8-18NPSF |
| 4-3/16 | 524 | 1-1/2 | 10-1/4 | 3-41/64 | 5-1/4 | 11-1/4 | 2-9/32 | 3/16 | 1-27/32 | 3-3/16 | 1-3/8 | 1/2-14NPSF |
| 4-7/16 4-1/2 | 526 | 2-1/16 | 11-17/32 | 3-3/4 | 6 | 12-13/32 | 2-15/32 | 3/16 | 2-11/32 | 3-5/16 | 1-5/8 | 1/2-14NPSF |
| 4-15/16 5 | 528 | 2-1/16 | 11-13/16 | 4 | 6 | 13-1/4 | 2-29/64 | 3/16 | 2-1/32 | 3-5/8 | 1-15/32 | 1/2-14NPSF |

▲ Housing width with drain plugs

★ Distance shaft should extend beyond housing centerline if pillow block is closed end style

● Non-expansion bearing offset from centerline. For expansion bearing S = 0

Dowel hole locations for Precision Positioning, see Page B11-29 - B11-29

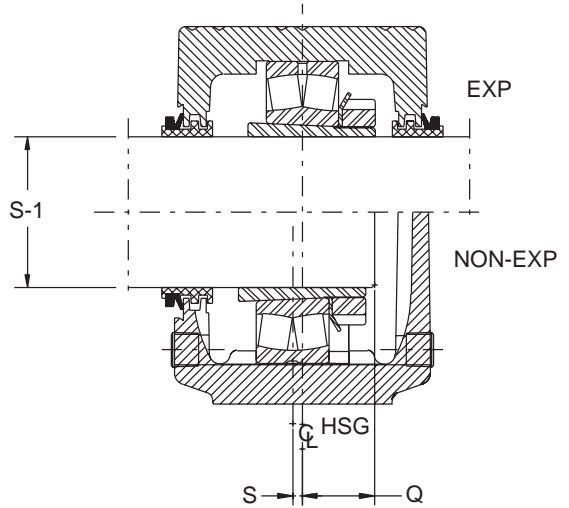
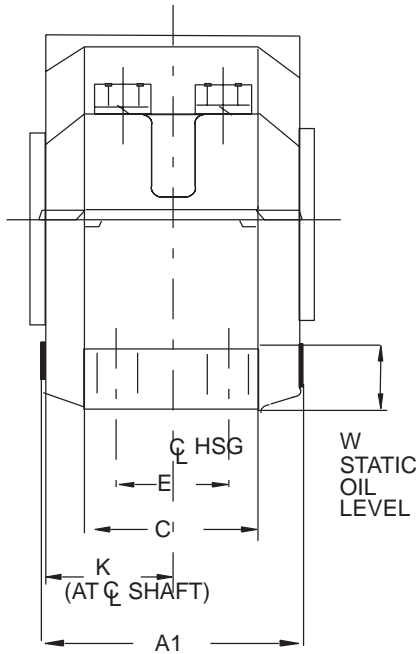
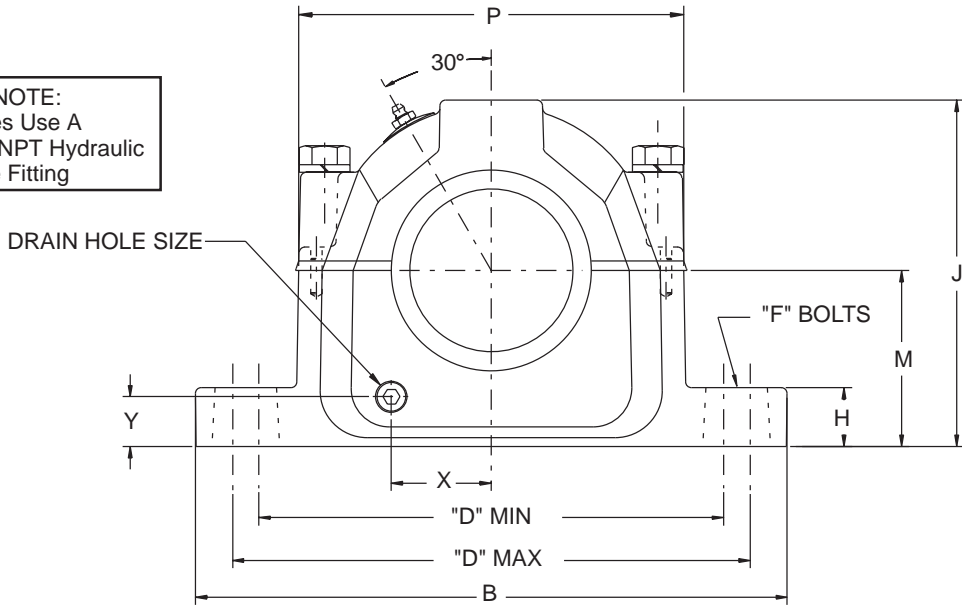
| | | | |
|---------------------------------|----------------------------|-----------------------------|-------------------------------------|
| FEATURES/BENEFITS PAGE B11-3 | HOW TO ORDER PAGE B11-9 | NOMENCLATURE PAGE B11-10 | SELECTION/DIMENSIONS PAGE B11-30 |
|---------------------------------|----------------------------|-----------------------------|-------------------------------------|

SELECTION/DIMENSIONS



USAF 500 Housing Dimensions

LUBE NOTE:
All Sizes Use A
1/8-27 NPT Hydraulic
Grease Fitting



| | | | |
|---------------------------------|----------------------------|-----------------------------|-------------------------------------|
| FEATURES/BENEFITS PAGE B11-3 | HOW TO ORDER PAGE B11-9 | NOMENCLATURE PAGE B11-10 | SELECTION/DIMENSIONS PAGE B11-30 |
|---------------------------------|----------------------------|-----------------------------|-------------------------------------|

SELECTION/DIMENSIONS



USAF 500 Housing Dimensions

| S-1 Shaft Size | Housing | A1▲ | B | C | D | | | | E | F | |
|---------------------------------|---------|----------|----------|-------|--------|-----|--------|--------|-------|-----------|--------|
| | | | | | 2-Bolt | | 4-Bolt | | | Bolt Dia. | |
| | | | | | Min | Max | Min | Max | | 2-Bolt | 4-Bolt |
| 5-3/16 | 530 | 9-23/64 | 20-7/8 | 6-1/4 | - | - | 16-3/4 | 18-1/4 | 3-3/4 | - | 1 |
| 5-7/16 5-1/2 | 532 | 9-59/64 | 21-21/32 | 6-1/4 | - | - | 17-3/8 | 19-1/4 | 3-3/4 | - | 1 |
| 5-15/16 6 | 534 | 9-29/32 | 24-3/4 | 6-3/4 | - | - | 19-3/8 | 21-5/8 | 4-1/4 | - | 1 |
| 6-7/16 6-1/2 | 536 | 10-13/32 | 26-3/4 | 7-1/8 | - | - | 20-7/8 | 23-5/8 | 4-5/8 | - | 1 |
| 6-15/16 7 | 538 | 10-13/16 | 28 | 7-1/2 | - | - | 21-5/8 | 24-3/8 | 4-1/2 | - | 1-1/4 |
| 7-3/16 | 540 | 11-17/32 | 28-3/4 | 8 | - | - | 22-1/2 | 25 | 5 | - | 1-1/4 |
| 7-1/2 | 544S | 12-19/64 | 32-3/4 | 8-7/8 | - | - | 24-3/4 | 27-7/8 | 5-1/4 | - | 1-1/2 |
| 7-15/16 8 | 544 | | | | | | | | | | |
| 8-7/16 8-1/2 8-15/16 9 | 048 | 11-17/32 | 28-3/4 | 8 | - | - | 22-1/2 | 25 | 5 | - | 1-1/4 |
| 9-7/16 9-1/2 | 052 | 12-19/64 | 32-3/4 | 8-7/8 | - | - | 24-3/4 | 27-7/8 | 5-1/4 | - | 1-1/2 |
| 9-15/16 10 | 056 | 13-21/32 | 34-1/4 | 9 | - | - | 26-1/4 | 29-1/2 | 5-1/2 | - | 1-1/2 |
| 10-7/16 10-1/2 | 056L | | | | | | | | | | |

| S-1 Shaft Size | Housing | H | J | K | M | P | Q★ | S● | W Static Oil Level | X | Y | Drain Hole Size |
|---------------------------------|---------|---------|----------|---------|---------|----------|---------|------|--------------------|---------|---------|-----------------|
| 5-3/16 | 530 | 2-3/8 | 12-1/2 | 4-21/64 | 6-5/16 | 14-5/16 | 2-39/64 | 3/16 | 2-1/32 | 3-19/32 | 1-21/64 | 1/2-14NPSF |
| 5-7/16 5-1/2 | 532 | 2-11/32 | 13-5/16 | 4-5/8 | 6-11/16 | 14-29/32 | 2-31/32 | 3/16 | 2-3/32 | 4-1/32 | 1-21/64 | 1/2-14NPSF |
| 5-15/16 6 | 534 | 2-7/8 | 14-9/16 | 4-5/8 | 7-1/16 | 16-13/16 | 3-1/8 | 3/16 | 2-3/16 | 4-5/32 | 1-21/64 | 1/2-14NPSF |
| 6-7/16 6-1/2 | 536 | 3 | 15-1/8 | 4-7/8 | 7-1/2 | 17-3/16 | 3-5/32 | 3/16 | 2-27/64 | 4-7/32 | 1-5/8 | 1/2-14NPSF |
| 6-15/16 7 | 538 | 3-1/8 | 15-13/16 | 5-1/16 | 7-7/8 | 18 | 3-19/64 | 3/16 | 2-17/32 | 4-3/4 | 1-39/64 | 1/2-14NPSF |
| 7-3/16 | 540 | 3-3/8 | 16-5/8 | 5-7/16 | 8-1/4 | 19 | 3-1/2 | 3/16 | 2-15/32 | 4-29/32 | 1-17/32 | 1/2-14NPSF |
| 7-1/2 | 544S | 3-3/4 | 18-7/8 | 5-13/16 | 9-1/2 | 21-1/4 | 3-47/64 | 3/16 | 3-1/4 | 5-7/16 | 2-1/32 | 1/2-14NPSF |
| 7-15/16 8 | 544 | | | | | | | | | | | |
| 8-7/16 8-1/2 8-15/16 9 | 48 | 3-3/8 | 16-5/8 | 5-7/16 | 8-1/4 | 19 | 3-9/16 | 0 | 2-1/4 | - | - | - |
| 9-7/16 9-1/2 | 52 | 3-3/4 | 18-7/8 | 5-13/16 | 9-1/2 | 21-1/4 | 3-7/8 | 0 | 2-57/64 | - | - | - |
| 9-15/16 10 | 56 | 4 | 20 | 6-3/8 | 9-7/8 | 22-5/16 | 4 | 0 | 2-23/64 | - | - | - |
| 10-7/16 10-1/2 | 056L | | | | | | | | | | | |

- ▲ Housing width with drain plugs
- ★ Distance shaft should extend beyond housing centerline if pillow block is closed end style
- Non-expansion bearing offset from centerline. For expansion bearing S = 0

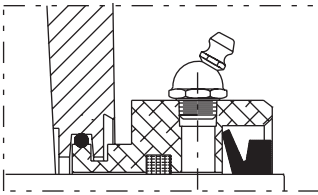
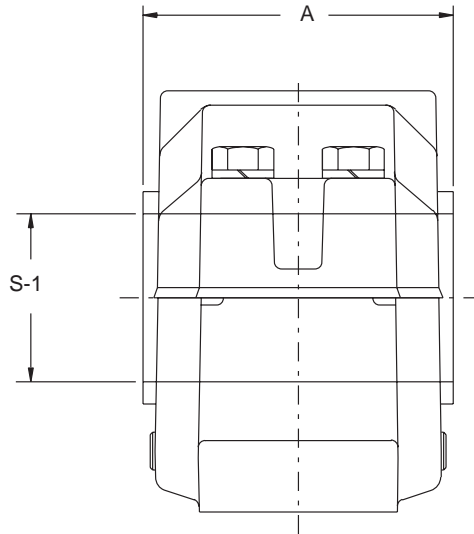
| | | | |
|---------------------------------|----------------------------|-----------------------------|-------------------------------------|
| FEATURES/BENEFITS PAGE B11-3 | HOW TO ORDER PAGE B11-9 | NOMENCLATURE PAGE B11-10 | SELECTION/DIMENSIONS PAGE B11-30 |
|---------------------------------|----------------------------|-----------------------------|-------------------------------------|

SELECTION/DIMENSIONS

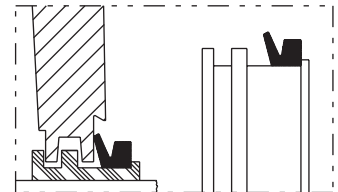


USAF 500 Pillow Block Seals

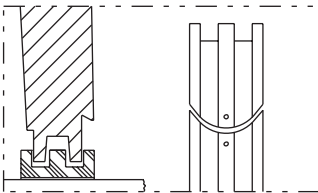
LENGTH THRU BORE W/SEALS



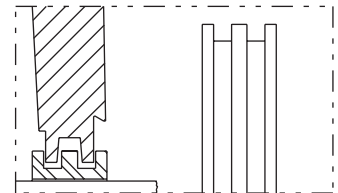
AUXILIARY TACONITE Seal
For dusty environments and low to moderate speeds



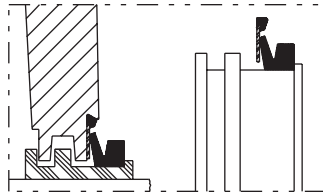
TRIPLE-TECT Seal
General purpose seal for wet or dirty environments



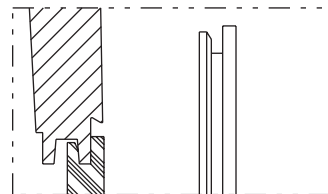
SPLIT Seal
Permits easy installation in hard-to-reach applications without removing shaft. Non-metallic split LER. See page B11-84 for SPLIT Seal part numbers



LER SEAL
High speed seal for relatively clean environments



DROP-IN TRIPLE-TECT Seal
DODGE exclusive. popular TRIPLE-TECT features with simplified installation.



END COVER Seal
Allows use of open shaft housing as closed-end

| | | | |
|---------------------------------|----------------------------|-----------------------------|-------------------------------------|
| FEATURES/BENEFITS PAGE B11-3 | HOW TO ORDER PAGE B11-9 | NOMENCLATURE PAGE B11-10 | SELECTION/DIMENSIONS PAGE B11-30 |
|---------------------------------|----------------------------|-----------------------------|-------------------------------------|

SELECTION/DIMENSIONS



USAF 500 Pillow Block Seals

| 500 Seals - Inch | | | | | | | | | | | |
|-----------------------|---------|------------|------------------|----------------------------|------------------------|--------------------------|-----------|----------|----------|----------|------------|
| S-1 Shaft size (Inch) | Housing | Seal Group | Part Numbers | | | | | A | | | |
| | | | Triple-Tect (TT) | Triple-Tect Drop-in (TTDN) | #Metal Labyrinth (LER) | Auxiliary Taconite (AUX) | End Cover | TT | TTDN | LER | AUX |
| 1-7/16 | 509 | 8 | 043578 | - | 042193 | 041685 | 040700 | 3-31/32 | 3-31/32 | 3-27/64 | 6-9/16 |
| 1-11/16 | 510 | 10 | 043579 | - | 042199 | 041686 | 040701 | 4-9/64 | 4-9/64 | 3-39/64 | 64-7/64 |
| 1-15/16 | 511 | 12 | 043540 | 039852 | 042512 | 041687 | 040702 | 4-11/32 | 4-11/32 | 3-53/64 | 6-11/16 |
| 2-3/16 | 513 | 14 | 043541 | 039853 | 042513 | 041688 | 040703 | 4-23/32 | 4-23/32 | 4-3/16 | 7-9/16 |
| 2-7/16 | 515 | 20 | 043542 | 039538 | 042514 | 042380 | 040704 | 4-15/16 | 4-15/16 | 4-15/32 | 7-15/32 |
| 2-1/2 | | | 043543 | 039854 | 042515 | 040890 | 040704 | | | | |
| 2-11/16 | 516 | 24 | 043544 | 039855 | 042516 | 042381 | 040705 | 5-21/64 | 5-21/64 | 4-23/32 | 7-23/32 |
| 2-3/4 | | | 043545 | 039856 | 042517 | 040891 | 040705 | | | | |
| 2-15/16 | 517 | 28 | 043546 | 039530 | 042518 | 042382 | 040706 | 5-7/16 | 57/16 | 4-53/64 | 7-61/64 |
| 3 | | | 043547 | 039857 | 042519 | 040918 | 040706 | | | | |
| 3-3/16 | 518 | 34 | 043548 | 039858 | 042520 | 040892 | 040707 | 6-13/64 | 6-13/64 | 5-45/64 | 8-17/64 |
| 3-7/16 | 520 | 46 | 043549 | 039859 | 042521 | 042383 | 040708 | 6-25/32 | 6-25/32 | 6-3/16 | 9-1/16 |
| 3-1/2 | | | 043550 | 039860 | 042522 | 040919 | 040708 | | | | |
| 3-15/16 | 522 | 50 | 043551 | 039861 | 042523 | 042384 | 040709 | 7-1/6 | 7-1/8 | 6-19/32 | 9-3/64 |
| 4 | | | 043552 | 039862 | 042524 | 040893 | 040709 | | | | |
| 4-3/16 | 524 | 52 | 043553 | 039863 | 042525 | 044360 | 040710 | 7-29/32 | 7-19/32 | 7-5/16 | - |
| 4-7/16 | 526 | 54 | 043554 | 039864 | 042526 | 042385 | 040711 | 8-5/64 | 8-5/64 | 7-1/2 | 10-5/8 |
| 4-1/2 | | | 043555 | 039865 | 042527 | 042386 | 040711 | | | | |
| 4-15/16 | 528 | 56 | 043556 | 039866 | 042528 | 042387 | 040712 | 8-15/32 | 8-15/32 | 7-7/8 | 11-1/8 |
| 5 | | | 043557 | 039867 | 042529 | 040894 | 040712 | | | | |
| 5-3/16 | 530 | 58 | 043558 | - | 042530 | - | 040713 | 9-9/32 | 9-9/32 | 8-45/64 | - |
| 5-7/16 | 532 | 60 | 043559 | - | 042531 | 042388 | 040714 | 9-25/32 | 9-25/32 | 9-13/64 | 11-61/64 |
| 5-1/2 | | | 043574 | - | 042532 | 040895 | 040714 | | | | |
| 5-15/16 | 534 | 64 | 043560 | - | 042533 | 042389 | 040681 | 9-53/64 | 9-53/64 | 9-1/8 | 11-7/8 |
| 6 | | | 043561 | - | 042534 | 041646 | 040681 | | | | |
| 6-7/16 | 536 | 68 | 043562 | - | 042535 | 042390 | 040682 | 10-25/64 | 10-25/64 | 9-11/16 | 12-15/16 |
| 6-1/2 | | | 043563 | - | 042536 | 042391 | 040682 | | | | |
| 6-15/16 | 538 | 72 | 043564 | - | 042537 | 042392 | 040683 | 10-11/16 | 10-11/16 | 9-63/64 | 13-15/64 |
| 7 | | | 043565 | - | 042538 | 043109 | 040683 | | | | |
| 7-3/16 | 540 | 74 | 046421 | - | 043386 | 040690 | 040691 | 11-7/16 | - | 10-23/32 | 15-9/32 |
| 7-1/2 | 544S | 76 | 043567 | - | 042539 | 040896 | 040684 | 12-1/8 | 12-1/8 | 11-13/32 | 15-31/32 ❖ |
| 7-15/16 | 544 | 78 | 043566 | - | 042540 | 042393❖ | 040685 | | | | |
| 8 | | | 043568 | - | 042541* | 042394❖ | 040685 | | | | |
| 8-7/16 | 048 | 90 | 043569 | - | 042542* | 040897❖ | 042368 | 12-1/16 | - | 11-23/32 | 15-17/32 ❖ |
| 8-1/2 | | | 043570 | - | 042543* | 040898❖ | 042368 | | | | |
| 8-15/16 | | | 043571 | - | 042544* | 040899❖ | 042368 | | | | |
| 9 | | | 043572 | - | 042545* | 040995❖ | 042368 | | | | |
| 9-7/16 | 052 | 84 | 043538 | - | 042510* | 040900❖ | 422606 | 12-49/64 | - | 11-13/32 | 16-7/32 ❖ |
| 9-1/2 | | | 422545 | - | 042594* | 040901❖ | 422606 | | | | |
| 9-15/16 | 056 | 92 | 043575 | - | 042511* | - | 042369 | 13-59/64 | - | 12-21/32 | 17-1/8 ❖ |
| 10 | | | 043573 | - | 041082* | 042395❖ | 042369 | | | | |
| 10-7/16 | 056L | 94 | 047940 | - | 042036* | - | 042397 | 14-3/64 | - | 12-21/32 | 17-1/8 ❖ |
| 10-1/2 | | | 047941 | - | 422573* | 042396❖ | 042397 | | | | |

❖ Includes collar

NOTE: LER seals are made from Aluminum unless otherwise noted by the * symbol.

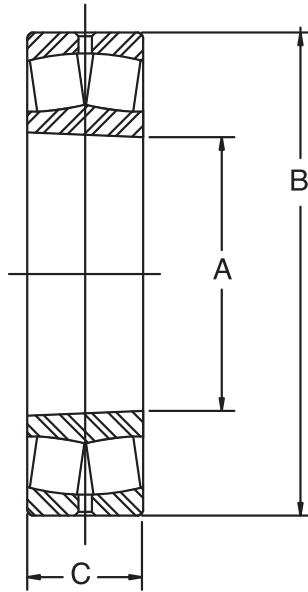
If an * appears by the part number, the LER seal is manufactured from Steel.

| | | | |
|---------------------------------|----------------------------|-----------------------------|-------------------------------------|
| FEATURES/BENEFITS PAGE B11-3 | HOW TO ORDER PAGE B11-9 | NOMENCLATURE PAGE B11-10 | SELECTION/DIMENSIONS PAGE B11-30 |
|---------------------------------|----------------------------|-----------------------------|-------------------------------------|

SELECTION/DIMENSIONS



USAF 22200K and 23000K Spherical Roller Bearings



| | | | |
|---------------------------------|----------------------------|-----------------------------|-------------------------------------|
| FEATURES/BENEFITS PAGE B11-3 | HOW TO ORDER PAGE B11-9 | NOMENCLATURE PAGE B11-10 | SELECTION/DIMENSIONS PAGE B11-30 |
|---------------------------------|----------------------------|-----------------------------|-------------------------------------|

SELECTION/DIMENSIONS



USAF 22200K and 23000K Spherical Roller Bearings

| S-1 Shaft Size (Inch) | Housing | Bearing No. | Part No. | Approx. Wt. (Lbs) | A Inch (mm) | B Inch (mm) | C Inch (mm) |
|---------------------------------|---------|-------------|---------------|-------------------|---------------|---------------|--------------|
| 1-7/16 | 509 | 22209K | 422134 | 1.2 | 1.7717 (45) | 3.3465 (85) | .9055 (23) |
| 1-11/16 | 510 | 22210K | 422137 | 1.3 | 1.9685 (50) | 3.5233 (90) | .9055 (23) |
| 1-15/16 | 511 | 22211K | 422123 | 1.8 | 2.1654 (55) | 3.9370 (100) | .9843 (25) |
| 2-3/16 | 513 | 22213K | 422124 | 3.2 | 2.5591 (65) | 4.7244 (120) | 1.2205 (31) |
| 2-7/16 2-1/2 | 515 | 22215K | 422001 | 3.6 | 2.9528 (75) | 5.1181 (130) | 1.2205 (31) |
| 2-11/16 2-3/4 | 516 | 22216K | 422003 | 4.4 | 3.1496 (80) | 5.5188 (140) | 1.2992 (33) |
| 2-15/16 3 | 517 | 22217K | 422005 | 5.5 | 3.3465 (85) | 5.9055 (150) | 1.4173 (36) |
| 3-3/16 | 518 | 22218K | 422007 | 7.0 | 3.5433 (90) | 6.2992 (160) | 1.5748 (40) |
| 3-7/16 3-1/2 | 520 | 22220K | 422009 | 10.4 | 3.9370 (100) | 7.0866 (180) | 1.8110 (46) |
| 3-15/16 4 | 522 | 22222K | 422011 | 14.9 | 4.3307 (110) | 7.8740 (200) | 2.0866 (53) |
| 4-3/16 | 524 | 22224K | 422013 | 18.7 | 4.7244 (120) | 8.4646 (215) | 2.2865 (58) |
| 4-7/16 4-1/2 | 526 | 22226K | 422015 | 23.4 | 5.1181 (130) | 9.0551 (230) | 2.5197 (64) |
| 4-15/16 5 | 528 | 22228K | 422017 | 29.5 | 5.5118 (140) | 9.8425 (250) | 2.6772 (68) |
| 5-3/16 | 530 | 22230K | 422019 | 37.5 | 5.9055 (150) | 10.6299 (270) | 2.8740 (73) |
| 5-7/16 5-1/2 | 532 | 22232K | 422021 | 48.1 | 6.2992 (160) | 11.4173 (290) | 3.1496 (80) |
| 5-15/16 6 | 534 | 22234K | 422023 | 58.0 | 6.6929 (170) | 12.2047 (310) | 3.3858 (86) |
| 6-7/16 6-1/2 | 536 | 22236K | 422025 | 60.8 | 7.0866 (180) | 12.5984 (320) | 3.3858 (86) |
| 6-15/16 7 | 538 | 22238K | 422027 | 78.9 | 7.4803 (190) | 13.3858 (340) | 3.6220 (92) |
| 7-3/16 | 540 | 22240K | 422064 | 94.1 | 7.8740 (200) | 14.1732 (360) | 3.8583 (98) |
| 7-1/2 | 544S | 22244K | 422029 | 129.0 | 8.6614 (220) | 14.7480 (400) | 4.2520 (108) |
| 7-15/16 8 | 544 | | | | | | |
| 8-7/16 8-1/2 8-15/16 9 | 048 | 23048K | 422031 | 73.4 | 9.4488 (240) | 14.1732 (360) | 3.6220 (92) |
| 9-7/16 9-1/2 | 052 | 23052K | 422543 | 106.0 | 10.2362 (260) | 15.7480 (400) | 4.0945 (104) |
| 9-15/16 10 | 056 | 23056K | 422030 | 114.0 | 11.0236 (280) | 16.5354 (430) | 4.1732 (106) |
| 10-7/16 10-1/2 | 056L | | | | | | |

IMPERIAL - ISAF

UNIFIED SAF

International Bearings

Sleeve Bearing

SLEEVOIL

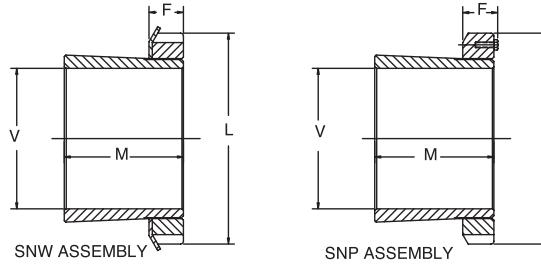
| | | | |
|---------------------------------|----------------------------|-----------------------------|-------------------------------------|
| FEATURES/BENEFITS PAGE B11-3 | HOW TO ORDER PAGE B11-9 | NOMENCLATURE PAGE B11-10 | SELECTION/DIMENSIONS PAGE B11-30 |
|---------------------------------|----------------------------|-----------------------------|-------------------------------------|



SELECTION/DIMENSIONS



USAF 500 Adaptor Assembly (SNW)



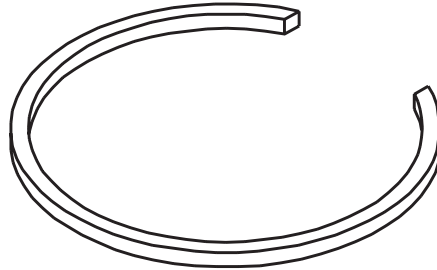
| V Shaft Dia. (In) | Housing | SNW/SNP Number | Part Number | Approx Wt. (Lbs) | L (in.) | F Max (in.) | M (in.) |
|-------------------|---------|----------------|---------------|------------------|---------|-------------|---------|
| 1-7/16 | 509 | H309-SNW-107 | 046350 | 1.0 | 2.53 | .52 | 1.58 |
| 1-11/16 | 510 | H310-SNW-111 | 046351 | 1.0 | 2.69 | .58 | 1.77 |
| 1-15/16 | 511 | H311-SNW-115 | 046352 | 0.8 | 2.97 | .58 | 1.85 |
| 2-3/16 | 513 | H313-SNW-203 | 046353 | 1.6 | 3.38 | .64 | 2.10 |
| 2-7/16 | 515 | H315-SNW-207 | 046354 | 2.6 | 3.88 | .69 | 2.29 |
| 2-1/2 | | H315-SMW-208 | 046355 | 2.3 | | | |
| 2-11/16 | 516 | H316-SNW-211 | 046356 | 2.6 | 4.16 | .69 | 2.37 |
| 2-3/4 | | H316-SNW-212 | 046357 | 2.6 | | | |
| 2-15/16 | 517 | H317-SNW-215 | 046358 | 3.0 | 4.41 | .72 | 2.47 |
| 3 | | H317-SNW-300 | 046359 | 2.5 | | | |
| 3-3/16 | 518 | H318-SNW-303 | 046360 | 3.1 | 4.66 | .80 | 2.63 |
| 3-7/16 | 520 | H320-SNW-307 | 046361 | 4.6 | 5.19 | .83 | 2.87 |
| 3-1/2 | | H320-SNW-308 | 046362 | 4.4 | | | |
| 3-15/16 | 522 | H322-SNW-315 | 046363 | 5.6 | 5.72 | .86 | 3.19 |
| 4 | | H322-SNW-400 | 046364 | 5.0 | | | |
| 4-3/16 | 524 | H3124-SNW-403 | 046430 | 6.5 | 6.12 | .92 | 3.47 |
| 4-7/16 | 526 | H3126-SNW-407 | 046431 | 9.2 | 6.75 | .95 | 3.76 |
| 4-1/2 | | H3126-SNW-408 | 046432 | 8.6 | | | |
| 4-15/16 | 528 | H3128-SNW-415 | 046433 | 10.0 | 7.09 | 1.02 | 3.97 |
| 5 | | H3128-SNW-500 | 046434 | 9.0 | | | |
| 5-3/16 | 530 | SNW30-503 | 043618 | 12.7 | 7.69 | 1.08 | 4.22 |
| 5-7/16 | 532 | SNW32-507 | 043619 | 15.9 | 8.06 | 1.14 | 4.57 |
| 5-1/2 | | SNW32-508 | 043634 | 15.0 | | | |
| 5-15/16 | 534 | SNW34-515 | 043620 | 17.6 | 8.66 | 1.23 | 4.83 |
| 6 | | SNW34-600 | 043621 | 17.0 | | | |
| 6-7/16 | 536 | SNW36-607 | 043622 | 17.0 | 9.06 | 1.27 | 5.02 |
| 6-1/2 | | SNW36-608 | 043623 | 18.0 | | | |
| 6-15/16 | 538 | SNW38-615 | 043624 | 18.0 | 9.47 | 1.30 | 5.26 |
| 7 | | SNW38-700 | 043625 | 17.0 | | | |
| 7-3/16 | 540 | SNW40-703 | 046545 | 30.7 | 9.84 | 1.36 | 5.48 |
| 7-1/2 | 544S | SNW44-708 | 043627 | 30.2 | 11.00 | 1.42 | 5.90 |
| 7-15/16 | 544 | SNW44-715 | 043626 | 36.0 | | | |
| 8 | | SNW44-800 | 043628 | 34.7 | | | |
| 8-7/16 | 048 | SNP048-807 | 043629 | 38.0 | 11.44 | 1.73 | 5.44 |
| 8-1/2 | | SNP048-808 | 043630 | 30.0 | | | |
| 8-15/16 | | SNP048-815 | 043631 | 28.0 | | | |
| 9 | | SNP048-900 | 043632 | 22.0 | | | |
| 9-7/16 | 052 | SNP052-907 | 043585 | 41.1 | 12.19 | 1.80 | 6.02 |
| 9-1/2 | | SNP052-908 | 422538 | 40.0 | | | |
| 9-15/16 | 056 | SNP056-915 | 043586 | 43.7 | 13.00 | 1.89 | 6.19 |
| 10 | | SNP056-1000 | 043633 | 42.0 | | | |
| 10-7/16 | 056L | SNP056-1007 | 043580 | 30.0 | | | |
| 10-1/2 | | SNP056-1008 | 422567 | 28.0 | | | |

| | | | |
|---------------------------------|----------------------------|-----------------------------|-------------------------------------|
| FEATURES/BENEFITS PAGE B11-3 | HOW TO ORDER PAGE B11-9 | NOMENCLATURE PAGE B11-10 | SELECTION/DIMENSIONS PAGE B11-30 |
|---------------------------------|----------------------------|-----------------------------|-------------------------------------|

SELECTION/DIMENSIONS



USAF Stabilizing Rings



| Housing | Stab. Ring No. | Stab. Ring Part No. ▲ |
|--------------|----------------|--------------------------|
| 509 | 9-9 | 041987 |
| 510 | 10-8 | 042335 |
| 511 | 11-9 | 042315 |
| 513 | 13-0 | 042316 |
| 515/215 | 15-0 | 041174 |
| 516/216 | 16-13 | 041172 |
| 517/217 | 17-14 | 041175 |
| 518/218 | 18-15 | 041173 |
| 520/220 | 20-17 | 041176 |
| 522/222 | 22-19 | 041177 |
| 524/224 | 24-20 | 041185 |
| 526/226 | 26-0 | 041178 |
| 528/228 | 28-0 | 041179 |
| 530/230 | 30-0 | 041186 |
| 532/232 | 32-0 | 041180 |
| 534/234 | 34-0 | 041181 |
| 536/236 | 36-30 | 041184 |
| 538/238 | 38-32 | 041182 |
| 540/240 | 40-34 | 046639 |
| 544S/544/244 | 44-38 | 041183 |
| * 048 | A8897 | 041161 |
| * 052 | A8898 | 422554 |
| * 056/056L | A8819 | 041213 |

| Housing | Stab. Ring No. | Stab. Ring Part No. ▲ |
|---------|----------------|--------------------------|
| 308 | 10-8 | 042335 |
| 609/309 | 11-9 | 042315 |
| 610/310 | 0-10 | 046642 |
| 611/311 | 6-11 | 046632 |
| 312 | 15-0 | 041174 |
| 613/313 | 16-13 | 041172 |
| 314 | 17-14 | 041175 |
| 615/315 | 18-15 | 041173 |
| 616/316 | 19-16 | 046643 |
| 617/317 | 20-17 | 041176 |
| 620/320 | 24-20 | 041185 |
| 622/322 | 0-22 | 046635 |
| 624/324 | 0-24 | 046634 |
| 626/326 | 0-26 | 046637 |
| 628/328 | 0-28 | 046638 |
| 630/330 | 36-30 | 041184 |
| 632/332 | 38-32 | 041182 |
| 634/334 | 40-34 | 046639 |
| 638/338 | 44-38 | 041183 |

* Two stabilizing rings required per housing

▲ Part numbers for reference only. Housings come equipped with stabilizing rings enclosed

| | | | |
|---------------------------------|----------------------------|-----------------------------|-------------------------------------|
| FEATURES/BENEFITS PAGE B11-3 | HOW TO ORDER PAGE B11-9 | NOMENCLATURE PAGE B11-10 | SELECTION/DIMENSIONS PAGE B11-30 |
|---------------------------------|----------------------------|-----------------------------|-------------------------------------|

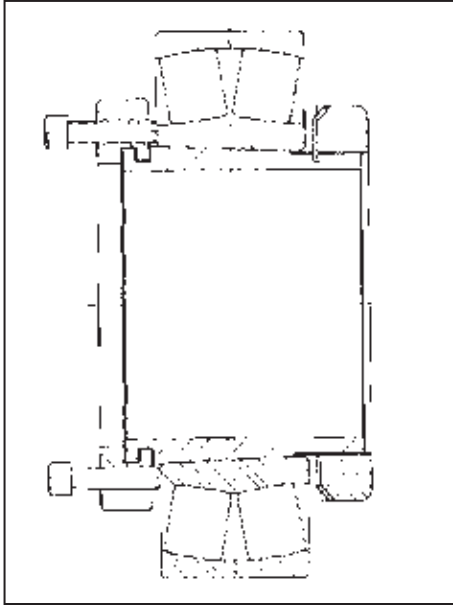
SELECTION/DIMENSIONS

DODGE®

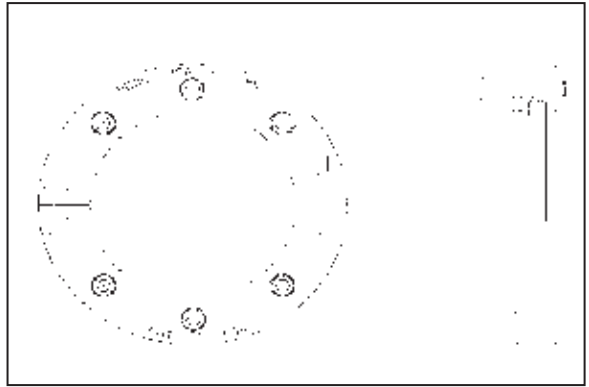


USAF/SN D-Mount Adapter System

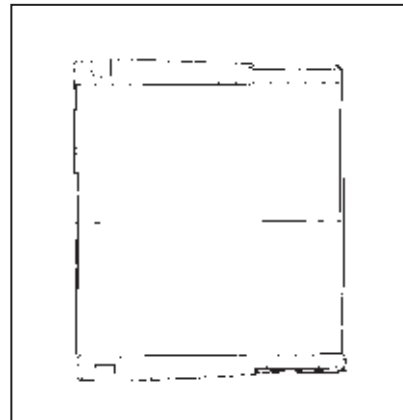
1. Saves time removing bearing from shaft!
2. Reduces the use of blue flame torches!
3. Increases uptime!
4. Lowers maintenance costs!



**D-MOUNT TOOL - SNW - BEARING
WITH TOOL ASSEMBLED
READY TO REMOVE BEARING**



D-MOUNT TOOL



D-MOUNT ADAPTER SLEEVE

Patented tool and adapter sleeve design. For use on 22209K through 22244K size bearings

HOW IT WORKS

Split D-Mount tool is mounted on D-Mount adapter and uses socket head cap screws to force the inner ring off the taper to unlock the bearing from the adapter sleeve. No additional space allowance is required.

This adapter sleeve is used in place of the standard adapter sleeve.

| | | | |
|---------------------------------|----------------------------|-----------------------------|-------------------------------------|
| FEATURES/BENEFITS PAGE B11-3 | HOW TO ORDER PAGE B11-9 | NOMENCLATURE PAGE B11-10 | SELECTION/DIMENSIONS PAGE B11-30 |
|---------------------------------|----------------------------|-----------------------------|-------------------------------------|

SELECTION/DIMENSIONS



D-MOUNT Adapter System SAF/SN Mounted Bearings PART NUMBERS AND DESCRIPTION

| Part No. | Description-Inch |
|--|------------------|
| D-Mount Adapter with Removal Feature-USA500 | |
| 046960 | DH09-SNW-107 |
| 046961 | DH10-SNW-111 |
| 046962 | DH11-SNW-115 |
| 046963 | DH13-SNW-203 |
| 046964 | DH15-SNW-207 |
| 046965 | DH15-SNW-208 |
| 046966 | DH16-SNW-211 |
| 046967 | DH16-SNW-212 |
| 046968 | DH17-SNW-215 |
| 046969 | DH17-SNW-300 |
| 046970 | DH18-SNW-303 |
| 046971 | DH20-SNW-307 |
| 046972 | DH20-SNW-308 |
| 046973 | DH22-SNW-315 |
| 046974 | DH22-SNW-400 |
| 046975 | DH24-SNW-403 |
| 046976 | DH26-SNW-407 |
| 046977 | DH26-SNW-408 |
| 046978 | DH28-SNW-415 |
| 046979 | DH28-SNW-500 |
| 046980 | DH30-SNW-503 |
| 046981 | DH32-SNW-507 |
| 046982 | DH32-SNW-508 |
| 046983 | DH34-SNW-515 |
| 046984 | DH34-SNW-600 |
| 046985 | DH36-SNW-607 |
| 046986 | DH36-SNW-608 |
| 046987 | DH38-SNW-615 |
| 046988 | DH38-SNW-700 |
| 046989 | DH40-SNW-703 |
| 046991 | DH44-SNW-708 |
| 046992 | DH44-SNW-715 |
| 046993 | DH44-SNW-800 |

| Part No. | Description-Metric |
|--|--------------------|
| D-Mount Adapter with Removal Feature-USN500 | |
| 047815 * | DH09-SNW-40M |
| 047816 * | DH10-SNW-45M |
| 047817 * | DH11-SNW-50M |
| 047818 * | DH12-SNW-55M |
| 047819 * | DH13-SNW-60M |
| 047820 * | DH15-SNW-65M |
| 047821 * | DH16-SNW-70M |
| 047822 * | DH17-SNW-75M |
| 047823 * | DH18-SNW-80M |
| 047824 * | DH19-SNW-85M |
| 047825 * | DH20-SNW-90M |
| 047826 * | DH22-SNW-100M |
| 047827 * | DH24-SNW-110M |
| 047828 * | DH26-SNW-115M |
| 047829 * | DH28-SNW-125M |
| 047830 * | DH30-SNW-135M |
| 047831 * | DH32-SNW-140M |

| Part No. | Description |
|--------------------------------------|-----------------|
| D-Mount Adapter Removal Tools | |
| 046872 | D-MOUNT TOOL 09 |
| 046873 | D-MOUNT TOOL 10 |
| 046874 | D-MOUNT TOOL 11 |
| 046850 | D-MOUNT TOOL 12 |
| 046875 | D-MOUNT TOOL 13 |
| 046876 | D-MOUNT TOOL 15 |
| 046877 | D-MOUNT TOOL 16 |
| 046878 | D-MOUNT TOOL 17 |
| 046879 | D-MOUNT TOOL 18 |
| 046851 | D-MOUNT TOOL 19 |
| 046880 | D-MOUNT TOOL 20 |
| 046881 | D-MOUNT TOOL 22 |
| 046882 | D-MOUNT TOOL 24 |
| 046883 | D-MOUNT TOOL 26 |
| 046884 | D-MOUNT TOOL 28 |
| 046885 | D-MOUNT TOOL 30 |
| 046886 | D-MOUNT TOOL 32 |
| 046887 | D-MOUNT TOOL 34 |
| 046891 | D-MOUNT TOOL 36 |
| 046892 | D-MOUNT TOOL 38 |
| 046893 | D-MOUNT TOOL 40 |
| 046894 | D-MOUNT TOOL 44 |

NOTE: The D-MOUNT Adapter Sleeve SNW Assembly should be used in place of the standard SNW assembly during installation. The D-MOUNT tool will be needed during removal.

* Made to order.

| | | | |
|---------------------------------|----------------------------|-----------------------------|-------------------------------------|
| FEATURES/BENEFITS PAGE B11-3 | HOW TO ORDER PAGE B11-9 | NOMENCLATURE PAGE B11-10 | SELECTION/DIMENSIONS PAGE B11-30 |
|---------------------------------|----------------------------|-----------------------------|-------------------------------------|

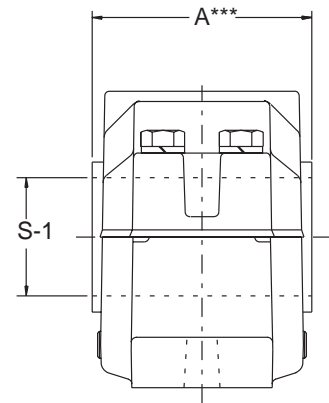
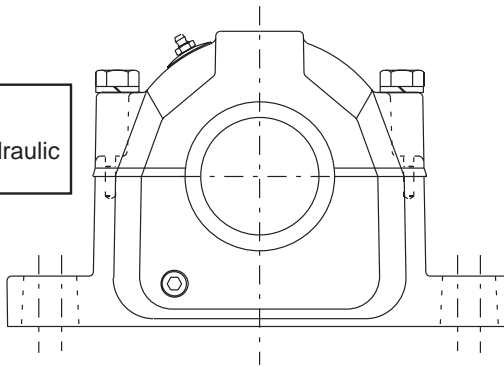


SELECTION/DIMENSIONS



USAF 500 Air Handling Pillow Blocks with TRIPLE-TECT Seals

LUBE NOTE:
All Sizes Use A
1/8-27 NPT Hydraulic
Grease Fitting



| Shaft Dia S-1 | Complete Pillow Block Part No. | Housing W/ Stab Ring Part No. | Bearing Part No. | Dynamic Capacity (C), lbs. | Max Rpm (Grease) | SNW Part No. | TRIPLE-TECT Part No. | End Cover Part No. |
|------------------|--------------------------------|-------------------------------|-------------------------|----------------------------|------------------|------------------------|----------------------|--------------------|
| 1-7/16 | P2B509-USAF-107TTAH 039100 | H2S-509-USAF 043995 | BRG22209KC3AH 422980 | 24,500 | 5,600 | H309-SNW-107 046350 | 08TT107 043578 | EC08 040700 |
| 1-11/16 | P2B510-USAF-111TTAH 039101 | H2S-510-USAF 043996 | BRG22210KC3AH 422981 | 26,000 | 5,300 | H310-SNW-111 046351 | 10TT111 043579 | EC10 040701 |
| 1-15/16 | P2B511-USAF-115TTAH 039102 | H2S-511-USAF 043997 | BRG22211KC3AH 422982 | 31,500 | 4,500 | H311-SNW-115 046352 | 12TT115 043540 | EC12 040702 |
| 2-3/16 | P2B513-USAF-203TTAH 039103 | H2S-513-USAF 043998 | BRG22213KC3AH 422983 | 45,500 | 3,800 | H313-SNW-203 046353 | 14TT203 043541 | EC14 040703 |
| | P4B513-USAF-203TTAH 039113 | H4S-513-USAF 039669 | BRG22213KC3AH 422983 | 45,500 | 3,800 | H313-SNW-203 046353 | 14TT203 043541 | EC14 040703 |
| 2-7/16 | P2B515-USAF-207TTAH 039104 | H2S-515-USAF 044000 | BRG22215KC3AH 422984 | 48,000 | 3,400 | H315-SNW-207 046354 | 20TT207 043542 | EC20 040704 |
| | P4B515-USAF-207TTAH 039114 | H4S-515-USAF 044003 | BRG22215KC3AH 422984 | 48,000 | 3,400 | H315-SNW-207 046354 | 20TT207 043542 | EC20 040704 |
| 2-1/2 | P2B515-USAF-208TTAH 039105 | H2S-515-USAF 044000 | BRG22215KC3AH 422984 | 48,000 | 3,400 | H315-SNW-208 046355 | 20TT208 043543 | EC20 040704 |
| | P4B515-USAF-208TTAH 039115 | H4S-515-USAF 044003 | BRG22215KC3AH 422984 | 48,000 | 3,400 | H315-SNW-208 046355 | 20TT208 043543 | EC20 040704 |
| 2-11/16 | P2B516-USAF-211TTAH 039106 | H2S-516-USAF 044198 | BRG22216KC3AH 422985 | 56,000 | 3,200 | H316-SNW-211 046356 | 24TT211 043544 | EC24 040705 |
| | P4B516-USAF-211TTAH 039116 | H4S-516-USAF 044007 | BRG22216KC3AH 422985 | 56,000 | 3,200 | H316-SNW-211 046356 | 24TT211 043544 | EC24 040705 |
| 2-3/4 | P2B516-USAF-212TTAH 039107 | H2S-516-USAF 044198 | BRG22216KC3AH 422985 | 56,000 | 3,200 | H316-SNW-212 046357 | 24TT212 043545 | EC24 040705 |
| | P4B516-USAF-212TTAH 039117 | H4S-516-USAF 044007 | BRG22216KC3AH 422985 | 56,000 | 3,200 | H316-SNW-212 046357 | 24TT212 043545 | EC24 040705 |
| 2-15/16 | P2B517-USAF-215TTAH 039108 | H2S-517-USAF 044010 | BRG22217KC3AH 422986 | 68,000 | 3,000 | H317-SNW-215 046358 | 28TT215 043546 | EC28 040706 |
| | P4B517-USAF-215TTAH 039118 | H4S-517-USAF 044013 | BRG22217KC3AH 422986 | 68,000 | 3,000 | H317-SNW-215 046358 | 28TT215 043546 | EC28 040706 |

FEATURES/BENEFITS
PAGE B11-3

HOW TO ORDER
PAGE B11-9

NOMENCLATURE
PAGE B11-10

SELECTION/DIMENSIONS
PAGE B11-30

SELECTION/DIMENSIONS



USAF 500 Air Handling Pillow Blocks with TRIPLE-TECT Seals

| Shaft Dia S-1 | Complete Pillow Block Part No. | Housing W/ Stab Ring Part No. | Bearing Part No. | Dynamic Capacity (C), lbs. | Max Rpm (Grease) | SNW Part No. | TRIPLE-TECT Part No. | End Cover Part No. |
|---------------|--------------------------------|-------------------------------|-------------------------|----------------------------|------------------|-------------------------|----------------------|--------------------|
| 3 | P2B517-USAF-300TTAH 039109 | H2S-517-USAF 044013 | BRG22217KC3AH 422986 | 68,000 | 3,000 | H317-SNW-300 046359 | 28TT300 043547 | EC28 040706 |
| | P4B517-USAF-300TTAH 039119 | H4S-517-USAF 044013 | BRG22217KC3AH 422986 | 68,000 | 3,000 | H317-SNW-300 046359 | 28TT300 043547 | EC28 040706 |
| 3-3/16 | P2B518-USAF-303TTAH 039110 | H2S-518-USAF 044199 | BRG22218KC3AH 422987 | 78,000 | 2,600 | H318-SNW-303 046360 | 34TT303 043548 | EC34 040707 |
| | P4B518-USAF-303TTAH 039120 | H4S-518-USAF 044114 | BRG22218KC3AH 422987 | 78,000 | 2,600 | H318-SNW-303 046360 | 34TT303 043548 | EC34 040707 |
| 3-7/16 | P2B520-USAF-307TTAH 039111 | H2S-520-USAF 044020 | BRG22220KC3AH 422988 | 96,500 | 2,200 | H320-SNW-307 046361 | 46TT307 043549 | EC46 040708 |
| | P4B520-USAF-307TTAH 039121 | H4S-520-USAF 044023 | BRG22220KC3AH 422988 | 96,500 | 2,200 | H320-SNW-307 046361 | 46TT307 043549 | EC46 040708 |
| 3-1/2 | P2B520-USAF-308TTAH 039112 | H2S-520-USAF 044020 | BRG22220KC3AH 422988 | 96,500 | 2,200 | H320-SNW-308 046362 | 46TT308 043550 | EC46 040708 |
| | P4B520-USAF-308TTAH 039122 | H4S-520-USAF 044023 | BRG22220KC3AH 422988 | 96,500 | 2,200 | H320-SNW-308 046362 | 46TT308 043550 | EC46 040708 |
| 3-15/16 | P4B522-USAF-315TTAH 039123 | H4S-522-USAF 044025 | BRG22222KC3AH 422989 | 122,000 | 2,000 | H322-SNW-315 046363 | 50TT315 043551 | EC50 040709 |
| 4 | P4B522-USAF-400TTAH 039124 | H4S-522-USAF 044025 | BRG22222KC3AH 422989 | 122,000 | 2,000 | H322-SNW-400 046364 | 50TT400 043552 | EC50 040709 |
| 4-3/16 | P4B524-USAF-403TTAH 039125 | H4S-524-USAF 044202 | BRG22224KC3AH 422990 | 143,000 | 1,900 | H3124-SNW-403 046430 | 52TT403 043553 | EC52 040710 |
| 4-7/16 | P4B526-USAF-407TTAH 039126 | H4S-526-USAF 044031 | BRG22226KC3AH 422991 | 170,000 | 1,800 | H3126-SNW-407 046431 | 54TT407 043554 | EC54 040711 |
| 4-1/2 | P4B526-USAF-408TTAH 039127 | H4S-526-USAF 044031 | BRG22226KC3AH 422991 | 170,000 | 1,800 | H3126-SNW-408 046432 | 54TT408 043555 | EC54 040711 |
| 4-15/16 | P4B528-USAF-415TTAH 039128 | H4S-528-USAF 044034 | BRG22228KC3AH 422992 | 196,000 | 1,700 | H3128-SNW-415 046433 | 56TT415 043556 | EC56 040712 |
| 5 | P4B528-USAF-500TTAH 039129 | H4S-528-USAF 044034 | BRG22228KC3AH 422992 | 196,000 | 1,700 | H3128-SNW-500 046434 | 56TT500 043557 | EC56 040712 |

| | | | |
|---------------------------------|----------------------------|-----------------------------|-------------------------------------|
| FEATURES/BENEFITS PAGE B11-3 | HOW TO ORDER PAGE B11-9 | NOMENCLATURE PAGE B11-10 | SELECTION/DIMENSIONS PAGE B11-30 |
|---------------------------------|----------------------------|-----------------------------|-------------------------------------|

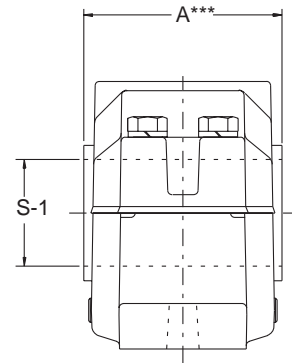
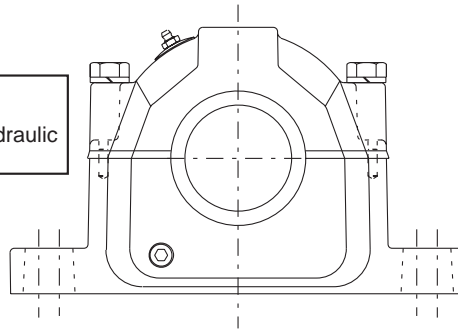


SELECTION/DIMENSIONS



USAF 500 Air Handling Pillow Blocks with LER Seals

LUBE NOTE:
All Sizes Use A
1/8-27 NPT Hydraulic
Grease Fitting



| Shaft Dia S-1 | Complete Pillow Block Part No. | Housing W/ Stab Ring Part No. | Bearing Part No. | Dynamic Capacity (C), lbs. | Max Rpm LER (Grease) | SNW Part No. | # LER Part No. | End Cover Part No. |
|------------------|--------------------------------|-------------------------------|-----------------------|----------------------------|----------------------|------------------------|----------------------|--------------------|
| 1-7/16 | P2B509-USAF-107LERAH 035762 | H2S-509-USAF 043995 | BRG22209KC3 422980 | 24,500 | 5,600 | H309-SNW-107 046350 | 08LER107 042193 | EC08 040700 |
| 1-11/16 | P2B510-USAF-111LERAH 035763 | H2S-510-USAF 043996 | BRG22210KC3 422981 | 26,000 | 5,300 | H310-SNW-111 046351 | 10LER111 042199 * | EC10 040701 |
| 1-15/16 | P2B511-USAF-115LERAH 035764 | H2S-511-USAF 043997 | BRG22211KC3 422982 | 31,500 | 4,500 | H311-SNW-115 046352 | 12LER115 042512 | EC12 040702 |
| 2-3/16 | P2B513-USAF-203LERAH 035765 | H2S-513-USAF 043998 | BRG22213KC3 422983 | 45,500 | 3,800 | H313-SNW-203 046353 | 14LER203 042513 | EC14 040703 |
| | P4B513-USAF-203LERAH 035775 | H4S-513-USAF 039669 | BRG22213KC3 422983 | 45,500 | 3,800 | H313-SNW-203 046353 | 14LER203 042513 | EC14 040703 |
| 2-7/16 | P2B515-USAF-207LERAH 035766 | H2S-515-USAF 044000 | BRG22215KC3 422984 | 48,000 | 3,400 | H315-SNW-207 046354 | 20LER207 042514 | EC20 040704 |
| | P4B515-USAF-207LERAH 035776 | H4S-515-USAF 044003 | BRG22215KC3 422984 | 48,000 | 3,400 | H315-SNW-207 046354 | 20LER207 042514 | EC20 040704 |
| 2-1/2 | P2B515-USAF-208LERAH 035767 | H2S-515-USAF 044000 | BRG22215KC3 422984 | 48,000 | 3,400 | H315-SNW-208 046355 | 20LER208 042515 | EC20 040704 |
| | P4B515-USAF-208LERAH 035777 | H4S-515-USAF 044003 | BRG22215KC3 422984 | 48,000 | 3,400 | H315-SNW-208 046355 | 20LER208 042515 | EC20 040704 |
| 2-11/16 | P2B516-USAF-211LERAH 035768 | H2S-516-USAF 044198 | BRG22216KC3 422985 | 56,000 | 3,200 | H316-SNW-211 046356 | 24LER211 042516 | EC24 040705 |
| | P4B516-USAF-211LERAH 035778 | H4S-516-USAF 044007 | BRG22216KC3 422985 | 56,000 | 3,200 | H316-SNW-211 046356 | 24LER211 042516 | EC24 040705 |
| 2-3/4 | P2B516-USAF-212LERAH 035769 | H2S-516-USAF 044198 | BRG22216KC3 422985 | 56,000 | 3,200 | H316-SNW-212 046357 | 24LER212 042517 | EC24 040705 |
| | P4B516-USAF-212LERAH 035779 | H4S-516-USAF 044007 | BRG22216KC3 422985 | 56,000 | 3,200 | H316-SNW-212 046357 | 24LER212 042517 | EC24 040705 |
| 2-15/16 | P2B517-USAF-215LERAH 035770 | H2S-517-USAF 044010 | BRG22217KC3 422986 | 68,000 | 3,000 | H317-SNW-215 046358 | 28LER215 042518 | EC28 040706 |
| | P4B517-USAF-215LERAH 035780 | H4S-517-USAF 044013 | BRG22217KC3 422986 | 68,000 | 3,000 | H317-SNW-215 046358 | 28LER215 042518 | EC28 040706 |

NOTE: LER seals are made from Aluminum unless otherwise noted by the * symbol.
If an * appears by the part number, the LER seal is manufactured from Steel.

| | | | |
|---------------------------------|----------------------------|-----------------------------|-------------------------------------|
| FEATURES/BENEFITS PAGE B11-3 | HOW TO ORDER PAGE B11-9 | NOMENCLATURE PAGE B11-10 | SELECTION/DIMENSIONS PAGE B11-30 |
|---------------------------------|----------------------------|-----------------------------|-------------------------------------|

SELECTION/DIMENSIONS



USAF 500 Air Handling Pillow Blocks with LER Seals

| Shaft Dia S-1 | Complete Pillow Block Part No. | Housing W/ Stab Ring Part No. | Bearing Part No. | Dynamic Capacity (C), lbs. | Max Rpm LER (Grease) | SNW Part No. | # LER Part No. | End Cover Part No. |
|---------------|--------------------------------|-------------------------------|-----------------------|----------------------------|----------------------|-------------------------|--------------------|--------------------|
| 3 | P2B517-USAF-300LERAH 035771 | H2S-517-USAF 044010 | BRG22217KC3 422986 | 68,000 | 3,000 | H317-SNW-300 046359 | 28LER300 042519 | EC28 040706 |
| | P4B517-USAF-300LERAH 035781 | H4S-517-USAF 044013 | BRG22217KC3 422986 | 68,000 | 3,000 | H317-SNW-300 046359 | 28LER300 042519 | EC28 040706 |
| 3-3/16 | P2B518-USAF-303LERAH 035772 | H2S-518-USAF 044199 | BRG22218KC3 422987 | 78,000 | 2,600 | H318-SNW-303 046360 | 34LER303 042520 | EC34 040707 |
| | P4B518-USAF-303LERAH 035782 | H4S-518-USAF 044114 | BRG22218KC3 422987 | 78,000 | 2,600 | H318-SNW-303 046360 | 34LER303 042520 | EC34 040707 |
| 3-7/16 | P2B520-USAF-307LERAH 035773 | H2S-520-USAF 044020 | BRG22220KC3 422988 | 96,500 | 2,200 | H320-SNW-307 046361 | 46LER307 042521 | EC46 040708 |
| | P4B520-USAF-307LERAH 035783 | H4S-520-USAF 044023 | BRG22220KC3 422988 | 96,500 | 2,200 | H320-SNW-307 046361 | 46LER307 042521 | EC46 040708 |
| 3-1/2 | P2B520-USAF-308LERAH 035774 | H2S-520-USAF 044020 | BRG22220KC3 422988 | 96,500 | 2,200 | H320-SNW-308 046362 | 46LER308 042522 | EC46 040708 |
| | P4B520-USAF-308LERAH 035784 | H4S-520-USAF 044023 | BRG22220KC3 422988 | 96,500 | 2,200 | H320-SNW-308 046362 | 46LER308 042522 | EC46 040708 |
| 3-15/16 | P4B522-USAF-315LERAH 035785 | H4S-522-USAF 044025 | BRG22222KC3 422989 | 122,000 | 2,000 | H322-SNW-315 046363 | 50LER315 042523 | EC50 040709 |
| 4 | P4B522-USAF-400LERAH 035786 | H4S-522-USAF 044025 | BRG22222KC3 422989 | 122,000 | 2,000 | H322-SNW-400 046364 | 50LER400 042524 | EC50 040709 |
| 4-3/16 | P4B524-USAF-403LERAH 035787 | H4S-524-USAF 044202 | BRG22224KC3 422990 | 143,000 | 1,900 | H3124-SNW-403 046430 | 52LER403 042525 | EC52 040710 |
| 4-7/16 | P4B526-USAF-407LERAH 035788 | H4S-526-USAF 044031 | BRG22226KC3 422991 | 170,000 | 1,800 | H3126-SNW-407 046431 | 54LER407 042526 | EC54 040711 |
| 4-1/2 | P4B526-USAF-408LERAH 035789 | H4S-526-USAF 044031 | BRG22226KC3 422991 | 170,000 | 1,800 | H3126-SNW-408 046432 | 54LER408 042527 | EC54 040711 |
| 4-15/16 | P4B528-USAF-415LERAH 035790 | H4S-528-USAF 044034 | BRG22228KC3 422992 | 196,000 | 1,700 | H3128-SNW-415 046433 | 56LER415 042528 | EC56 040712 |
| 5 | P4B528-USAF-500LERAH 035791 | H4S-528-USAF 044034 | BRG22228KC3 422992 | 196,000 | 1,700 | H3128-SNW-500 046434 | 56LER500 042529 | EC56 040712 |

NOTE: LER seals are made from Aluminum unless otherwise noted by the * symbol.
If an * appears by the part number, the LER seal is manufactured from Steel.

| | | | |
|---------------------------------|----------------------------|-----------------------------|-------------------------------------|
| FEATURES/BENEFITS PAGE B11-3 | HOW TO ORDER PAGE B11-9 | NOMENCLATURE PAGE B11-10 | SELECTION/DIMENSIONS PAGE B11-30 |
|---------------------------------|----------------------------|-----------------------------|-------------------------------------|



SELECTION/DIMENSIONS



DODGE USAF Air Handling Bearing Assemblies Using 12XX Series Self Aligning Double Row Ball Bearing

| Shaft Size | Housing Series | Housing Part No. | | Bearing | | Adapter Part No. | Seal Part No. # LER (2-Req) | Stab Ring For Fixed Units | | |
|------------|----------------|------------------|--------|----------|-------------|------------------|-----------------------------|---------------------------|---------|----------|
| | | 2-Bolt | 4-Bolt | Part No. | Description | | | Description | Qty Req | Part No. |
| 1-7/16 | 509 | 043995 | --- | 052637 | 1209K.C3 | 046350 | 042193 | SR-9-0 | 1 | 058902 |
| 1-11/16 | 510 | 043996 | --- | 052638 | 1210K.C3 | 046351 | 042199 * | SR-10-8 | 1 | 058903 |
| 1-15/16 | 511 | 043997 | --- | 052639 | 1211K.C3 | 046352 | 042512 | SR-11-9 | 1 | 058699 |
| 2-3/16 | 513 | 043998 | 039669 | 052640 | 1213K.C3 | 046353 | 042513 | SR-13 | 2 | 042316 |
| 2-7/16 | 515 | 044000 | 044003 | 052641 | 1215K.C3 | 046354 | 042514 | SR-15-0 | 2 | 058904 |
| 2-11/16 | 516 | 044198 | 044007 | 052642 | 1216K.C3 | 046356 | 042516 | SR-1516 | 2 | 058905 |
| 2-15/16 | 517 | 044010 | 044013 | 052643 | 1217K.C3 | 046358 | 042518 | SR-1517 | 2 | 058906 |
| 3-3/16 | 518 | 044199 | 044114 | 052570 | 1218K.C3 | 046360 | 042520 | SR-1518 | 2 | 058907 |
| 3-7/16 | 520 | 044020 | 044023 | 052644 | 1220K.C3 | 046361 | 042521 | SR-1520 | 2 | 058908 |
| 3-15/16 | 522 | --- | 044025 | 051841 | 1222K.C3 | 046363 | 042523 | SR-1522 | 2 | 058909 |

Standard AH housings come with stabilizing ring for fixing spherical roller bearings.

With the use of the 12xx series ball bearings, if a fixed bearing is required, special stabilizing rings are needed.

Remove standard stab ring, which comes with housing, and replace with the above ball bearing stab rings.

The 4-3/16" unit is not available as fixed unit due to non-standard stab ring width. (2) special width.503-.057" would be needed.

In cases where two stab rings are needed, one should be placed on each side of the bearing.

* DODGE USAF Air Handling Bearing Assemblies use the USAF 500 Series Housings. See Page B11-40 - B11-43 for dimensions

NOTE: LER seals are made from Aluminum unless otherwise noted by the * symbol.

If an * appears by the part number, the LER seal is manufactured from Steel.

STABILIZING RING DIMENSIONS

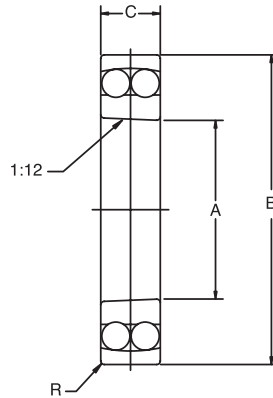
| Stab Ring | |
|-----------|-----------|
| O.D. | Width |
| 3.31 | .382-.386 |
| 3.51 | .382-.386 |
| 3.9 | .382-.386 |
| 4.68 | .311-.315 |
| 5.08 | .236-.232 |
| 5.47 | .326-.330 |
| 5.87 | .346-.350 |
| 6.26 | .386-.390 |
| 7.04 | .425-.429 |
| 7.83 | .484-.488 |

| | | | |
|---------------------------------|----------------------------|-----------------------------|-------------------------------------|
| FEATURES/BENEFITS PAGE B11-3 | HOW TO ORDER PAGE B11-9 | NOMENCLATURE PAGE B11-10 | SELECTION/DIMENSIONS PAGE B11-30 |
|---------------------------------|----------------------------|-----------------------------|-------------------------------------|

SELECTION/DIMENSIONS



DODGE USAF Air Handling 1200 Series Self-Aligning Ball Bearing



| Shaft Size | Bearing Series | e | FA/FR ≤ e | FA/FR > e | Dynamic Capacity C | Static Capacity C0 | Maximum RPM | |
|------------|----------------|------|-----------|-----------|--------------------|--------------------|-------------|------|
| | | | Y | Y | | | Grease | Oil |
| | | | 107 | 1209 | | | | |
| 111 | 1210 | 0.20 | 3.2 | 4.9 | 5100 | 1830 | 7000 | 8500 |
| 115 | 1211 | 0.19 | 3.3 | 5.1 | 6000 | 2240 | 6300 | 7500 |
| 203 | 1213 | 0.18 | 3.6 | 5.5 | 6950 | 2800 | 5300 | 6300 |
| 207 | 1215 | 0.17 | 3.6 | 5.6 | 8800 | 3450 | 4800 | 5600 |
| 211 | 1216 | 0.16 | 3.9 | 6.0 | 9000 | 3800 | 4300 | 5000 |
| 215 | 1217 | 0.17 | 3.7 | 5.8 | 11000 | 4550 | 4000 | 4800 |
| 303 | 1218 | 0.17 | 3.7 | 5.8 | 12900 | 5300 | 3800 | 4500 |
| 307 | 1220 | 0.18 | 3.6 | 5.5 | 15600 | 6700 | 3200 | 3800 |
| 315 | 1222 | 0.17 | 3.6 | 5.6 | 19600 | 8650 | 2800 | 3400 |
| 403 | 1224 | 0.20 | 3.11 | 4.81 | 27000 | 11800 | 2800 | 3400 |

Note:

$P_{eq} = FR + YFA$ when $FA / FR \leq e$

$P_{eq} = 0.65 FR + YFA$ when $FA / FR > e$

$L_{10} = (C/P) 3 \times 16667 / \text{RPM}$

NOTE: For more information, see Page B11-40 thru B11-43

| Shaft | Housing | Bearing No | A | | B | | C | | R | |
|-------|---------|------------|--------|------|--------|------|---------|------|-------|------|
| | | | Inch | (mm) | Inch | (mm) | Inch | (mm) | Inch | (mm) |
| 107 | 509 | 1209K.C3 | 1.7717 | 45 | 3.3465 | 85 | 0.7480 | 19 | 0.043 | 1.1 |
| 111 | 510 | 1210K.C3 | 1.9685 | 50 | 3.5433 | 90 | 0.7874 | 20 | 0.043 | 1.1 |
| 115 | 511 | 1211K.C3 | 2.1654 | 55 | 3.9370 | 100 | 0.8268 | 21 | 0.059 | 1.5 |
| 203 | 513 | 1213K.C3 | 2.5591 | 65 | 4.7244 | 120 | 0.9055 | 23 | 0.059 | 1.5 |
| 207 | 515 | 1215K.C3 | 2.9528 | 75 | 5.1181 | 130 | 0.9843 | 25 | 0.059 | 1.5 |
| 211 | 516 | 1216K.C3 | 3.1496 | 80 | 5.5118 | 140 | 1.0236 | 26 | 0.079 | 2.0 |
| 215 | 517 | 1217K.C3 | 3.3465 | 85 | 5.9055 | 150 | 1.1024 | 28 | 0.079 | 2.0 |
| 303 | 518 | 1218K.C3 | 3.5433 | 90 | 6.2992 | 160 | 1.1811 | 30 | 0.079 | 2.0 |
| 307 | 520 | 1220K.C3 | 3.9370 | 100 | 7.0866 | 180 | 1.13386 | 34 | 0.083 | 2.1 |
| 315 | 522 | 1222K.C3 | 4.3307 | 110 | 7.8740 | 200 | 1.4960 | 38 | 0.083 | 2.1 |
| 403 | 524 | 1224K.C3 | 4.7244 | 120 | 8.4646 | 215 | 1.6535 | 42 | 0.083 | 2.1 |

| | | | |
|---------------------------------|----------------------------|-----------------------------|-------------------------------------|
| FEATURES/BENEFITS PAGE B11-3 | HOW TO ORDER PAGE B11-9 | NOMENCLATURE PAGE B11-10 | SELECTION/DIMENSIONS PAGE B11-30 |
|---------------------------------|----------------------------|-----------------------------|-------------------------------------|



SELECTION/DIMENSIONS



How to Order USAF Smart Stock Selections

Step 1: The Housing Choices

All smart housings feature an embedded thermocouple.

When speed is monitored, select cast-closed end.

For temperature and/or vibration monitoring without speed, both sides open may be selected

For speed, as well as temperature and vibration monitoring, select cast closed end.

Stab rings are included with all housings.

| Size | Housing Series | 4B Both Sides Open | 4B Cast Close End |
|------|----------------|--------------------|-------------------|
| | | Part No. | Part No. |
| 207 | 515 | 067501 | 067503 |
| 215 | 517 | 067509 | 067511 |
| 307 | 520 | 067517 | 067519 |
| 315 | 522 | 067520 | 067521 |
| 407 | 526 | 055572 | 055654 |
| 415 | 528 | 055734 | 055906 |
| 515 | 534 | 057958 | 055881 |
| 615 | 538 | 055876 | 057966 |

Step 2: The Sensor Choices

OR For speed monitoring use AC prox
DC prox

AND/OR For temperature monitoring, use thermocouple transmitter
OR For speed, temperature and vibration monitoring use EZLINK

If you want to monitor speed through EZLINK, you'll also need to order a cable connector kit and a DC prox

| USAF Sensor Kits | Part No. |
|--|----------|
| AC Prox | 055940 |
| DC Prox | 055945 |
| Thermocouple Transmitter | 055931 |
| EZLINK | 059652 |
| Cable Connector Kit | 063694 |
| 4 - 20 ma Accelerometer and Thermocouple | 067576 |

Step 3: Other Parts You Will Need To Order

If monitoring speed, you will need a special SNW. If you are not monitoring speed, you can use a standard SNW. Special SNW's feature a modified nut with prox targets

Bearings

| Size | Bearing Series | Part No. |
|------|----------------|----------|
| 207 | 22215K | 422001 |
| 215 | 22217K | 422005 |
| 307 | 22220K | 422009 |
| 315 | 22222K | 422011 |
| 407 | 22226K | 422015 |
| 415 | 22228K | 422017 |
| 515 | 22234K | 422023 |
| 615 | 22238K | 422027 |

Adapters

| Size | Special SNW Part No. | Standard SNW Part No. |
|------|----------------------|-----------------------|
| 207 | 055740 | 046354 |
| 215 | 055710 | 046358 |
| 307 | 055714 | 046361 |
| 315 | 055712 | 046363 |
| 407 | 055716 | 046431 |
| 415 | 055907 | 046433 |
| 515 | 055898 | 043620 |
| 615 | 067326 | 043624 |

Seals

| Size | TRIPLE-TECT Part No. | Drop-In TRIPLE-TECT Part No. | LER Part No. | Taconite Part No. |
|------|----------------------|------------------------------|--------------|-------------------|
| 207 | 043542 | 039538 | 042514 | 042380 |
| 215 | 043546 | 039530 | 042518 | 042382 |
| 307 | 043549 | 039859 | 042521 | 042383 |
| 315 | 043551 | 039861 | 042523 | 042384 |
| 407 | 043554 | 039864 | 042526 | 042385 |
| 415 | 043556 | 039866 | 042528 | 042387 |
| 515 | 043560 | N/A | 042533 | 042389 |
| 615 | 043564 | N/A | 042537 | 042392 |

For additional details on DODGE Smart Bearings, see brochure DMR 2026-6

| | | | |
|---------------------------------|----------------------------|-----------------------------|-------------------------------------|
| FEATURES/BENEFITS PAGE B11-3 | HOW TO ORDER PAGE B11-9 | NOMENCLATURE PAGE B11-10 | SELECTION/DIMENSIONS PAGE B11-30 |
|---------------------------------|----------------------------|-----------------------------|-------------------------------------|

SELECTION/DIMENSIONS



SAF-XT and SAFS Spherical Roller Bearings

DODGE SAF-XT, and SAFS Spherical Roller Bearings have the capacity to carry heavy radial loads, thrust loads and combined radial and thrust loads. The maximum recommended load which can be applied is limited by various components in the system such as bearing, housing, shaft, shaft attachment, speed and life requirements as listed in this catalog. DODGE Spherical Roller Bearings have been applied successfully when these limits have been exceeded under controlled operating conditions. Contact DODGE Application Engineering (864-284-5700) for applications which exceed the recommendations of this catalog.

Select a bearing from the SAF-XT, and SAFS Spherical Roller Bearing Selection Chart having a radial load rating at the operating speed equal to or greater than the calculated Equivalent Radial Load for a desired L_{10} life. This simple method is all that is required for the majority of general applications and provides for occasional average shock loads.

L_{10} Hours Life - The life which may be expected from at least 90% of a given group of bearings operating under identical conditions.

For L_{10} hours life other than those listed in the selection chart, multiply the Equivalent Radial Load by one of the following factors. For 20,000 L_{10} hours life use factor of .88; 40,000, 1.09; 60,000, 1.23; 80,000, 1.34. Then select a bearing from the bold face (30,000) L_{10} ratings only in the selection chart having a rating equal to or greater than this value.

Heavy Service - For heavy shock loads, frequent shock loads, or severe vibrations, add up to 50% (according to severity of conditions) to the Equivalent Radial Load to obtain a Modified Equivalent Radial Load. Consult DODGE Application Engineering for additional selection assistance.

Thrust load values shown in the table below are recommended as a guide for general applications that will give adequate L_{10} life. Where substantial radial load is also

present, it is advisable to calculate actual L_{10} life to assure that it meets the requirements. The maximum thrust load should not exceed SAF-XT adapter maximum allowable thrust load (Table 8 on page B11-61) nor the pillow block limits shown on page B11-62. The effectiveness of the shaft attachment to carry thrust load depends on proper tightening of the adapter and shaft deflections.

| RPM | 20-200 | 201 - 2000 | Over 2000 |
|-------------------------|--------|------------|-----------|
| RECOMMENDED THRUST LOAD | C/20 | C/40 | C/60 |

* Compare thrust load to adapter maximum allowed thrust load. If this value is exceeded, auxiliary method of carrying thrust load is required.

The shaft tolerances recommended (page B11-9) are adequate for normal radial and radial/thrust load applications. Since the allowable load, especially at a low speed, is very large, the shaft should be checked to assure adequate shaft strength.

The magnitude and direction of both the thrust and radial load must be taken into account when selecting a housing. **When pillow blocks are utilized, heavy loads should be directed through the base.**

Where uplift loads are involved, consult DODGE Applications Engineering for recommendations.

Where a load pulls the housing away from the mounting base, both the hold-down bolts and housing must be of adequate strength. Auxiliary load carrying devices such as shear bars are advisable for side or end loading of pillow blocks.

To determine the L_{10} hours life for loads and RPM's not listed, use the following equation:

$$L_{10} \text{ Life, Hours} = \left(\frac{C}{P} \right)^{10/3} \times \left(\frac{16667}{\text{RPM}} \right)$$

Where:

C = Dynamic Capacity (Table 14 on page B11-80), lbs.

P = Equivalent Radial Load, lbs.

| | | | |
|---------------------------------|----------------------------|-----------------------------|-------------------------------------|
| FEATURES/BENEFITS PAGE B11-3 | HOW TO ORDER PAGE B11-9 | NOMENCLATURE PAGE B11-10 | SELECTION/DIMENSIONS PAGE B11-30 |
|---------------------------------|----------------------------|-----------------------------|-------------------------------------|



SELECTION/DIMENSIONS



SAF-XT/SAFS Bearings

When the load on a two row roller bearing is solely a radial load with no thrust (axial) load, the load is shared equally by both rows of rollers and the equivalent radial load (P) is equal to the actual radial load. However, when a thrust load is applied, the loading on the two rows is shared unequally, depending on the ratio of thrust to radial load. The use of the X (radial factor) and Y (thrust factor) from Table 14 converts the actual applied loads to an equivalent radial load having the same effect on the life of the bearing as a radial load of this magnitude.

Equation 1

$$P = XF_R + YF_A$$

Where:

P = Equivalent radial load, lbs

F_R = Radial load, lbs.

F_A = Thrust (axial) load, lbs. (** See Note below)

e = Thrust load or radial load factor (Table 14)

X = Radial load factor (Table 14)

Y = Thrust load factor (Table 14)

To find X and Y, first calculate F_A/F_R and compare to e. Determine X and Y from Table 10: Light thrust F_A/F_R less than or equal to e or heavy thrust F_A/F_R greater than e.

Substitute all known values into the equivalent radial load equation. P (equivalent radial load) thus determined can be used in the life formula to determine L_{10} , or it can be compared to the allowable equivalent radial load ratings for the speed and hours life desired in the expanded rating table on B11-62 and

****NOTE:** Spherical bearings require a radial load at least equal to the thrust load for proper operation $F_A/F_R = 1$. If the thrust load exceeds this limit, consult DODGE Application Engineering.

L_{10} Life Adjustment - The calculated L_{10} life obtained from the above procedure is subject to life adjustment factors in accordance with ABMA standards. Consult DODGE Application Engineering for assistance.

| | | | |
|---------------------------------|----------------------------|-----------------------------|-------------------------------------|
| FEATURES/BENEFITS PAGE B11-3 | HOW TO ORDER PAGE B11-9 | NOMENCLATURE PAGE B11-10 | SELECTION/DIMENSIONS PAGE B11-30 |
|---------------------------------|----------------------------|-----------------------------|-------------------------------------|

SELECTION/DIMENSIONS



SAF-XT/SAFS Bearings

Table 8: Radial and Thrust Factors

| Shaft Size Inch | Basic Bearing Description | e | FA/FR ≤ e | | FA/FR ≥ e | | ★ Adapter. Max. Allow. Thrust Load FA (LBS.) | Dynamic Capacity (C) Lbs. | Static Capacity Co Lbs. | Max. Rpm | |
|---------------------------------|---------------------------|------|-----------|------|-----------|------|--|---------------------------|-------------------------|----------|-------|
| | | | X | Y | X | Y | | | | Grease | Oil ▲ |
| 1-15/16 | 22211K | 0.23 | 1.00 | 2.90 | 0.67 | 4.30 | 927 | 31,500 | 32,500 | 4500 | 5600 |
| 2-3/16 | 22213K | 0.24 | 1.00 | 2.80 | 0.67 | 4.20 | 1359 | 45,500 | 47,500 | 3800 | 4500 |
| 2-7/16, 2-1/2 | 22215K | 0.22 | 1.00 | 3.10 | 0.67 | 4.60 | 1568 | 48,000 | 53,000 | 3400 | 4300 |
| 2-11/16, 2-3/4 | 22216K | 0.22 | 1.00 | 3.10 | 0.67 | 4.60 | 1780 | 56,000 | 60,000 | 3200 | 4000 |
| 2-15/16, 3 | 22217K | 0.22 | 1.00 | 3.00 | 0.67 | 4.50 | 2063 | 68,000 | 73,500 | 3000 | 3800 |
| 3-3/16 | 22218K | 0.23 | 1.00 | 2.90 | 0.67 | 4.30 | 2429 | 78,000 | 85,000 | 2600 | 3400 |
| 3-7/16, 3-1/2 | 22220K | 0.24 | 1.00 | 2.80 | 0.67 | 4.20 | 3102 | 96,500 | 106,000 | 2200 | 3000 |
| 3-15/16, 4 | 22222K | 0.25 | 1.00 | 2.70 | 0.67 | 4.10 | 3931 | 122,000 | 134,000 | 2000 | 2800 |
| 4-3/16 | 22224K | 0.25 | 1.00 | 2.70 | 0.67 | 4.00 | 4693 | 143,000 | 166,000 | 1900 | 2400 |
| 4-7/16, 4-1/2 | 22226K | 0.26 | 1.00 | 2.60 | 0.67 | 3.90 | 5610 | 170,000 | 200,000 | 1800 | 2200 |
| 4-15/16, 5 | 22228K | 0.25 | 1.00 | 2.70 | 0.67 | 4.00 | 6419 | 196,000 | 236,000 | 1700 | 2000 |
| 5-3/16 | 22230K | 0.25 | 1.00 | 2.70 | 0.67 | 4.00 | 7383 | 228,000 | 275,000 | 1600 | 1900 |
| 5-7/16, 5-1/2 | 22232K | 0.26 | 1.00 | 2.60 | 0.67 | 3.90 | 8630 | 260,000 | 315,000 | 1500 | 1800 |
| 5-15/16, 6 | 22234K | 0.26 | 1.00 | 2.60 | 0.67 | 3.90 | 9858 | 300,000 | 355,000 | 1300 | 1700 |
| 6-7/16, 6-1/2 | 22236K | 0.25 | 1.00 | 2.70 | 0.67 | 4.00 | 10437 | 305,000 | 375,000 | 1300 | 1600 |
| 6-15/16, 7 | 22238K | 0.28 | 1.00 | 2.40 | 0.67 | 3.60 | 11786 | 270,000 | 415,000 | 1200 | 1300 |
| 7-1/2, 7-15/16, 8 | 22244K | 0.29 | 1.00 | 2.30 | 0.67 | 3.50 | 16020 | 365,000 | 550,000 | 950 | 1000 |
| 8-7/16, 8-1/2, 8-15/16, 9 | 23048K | 0.25 | 1.00 | 2.70 | 0.67 | 4.10 | 14887 | 260,000 | 490,000 | 800 | 1000 |
| 9-7/16, 9-1/2 | 23052K | 0.26 | 1.00 | 2.60 | 0.67 | 3.90 | 18232 | 340,000 | 630,000 | 750 | 950 |
| 9-15/16, 10, 10-7/16, 10-1/2 | 23056K | 0.25 | 1.00 | 2.70 | 0.67 | 4.10 | 20012 | 345,000 | 670,000 | 700 | 900 |

Comparing Spherical to Roller Bearing: The dynamic capacity C (spherical) and C90 (taper) are not to the same base. To compare basic dynamic capacities multiply C x .259 and compare to C90. To select and then compare, use the complete selection procedure for each bearing and then compare

▲ For shaft size 1-7/16 through 4-3/16 inclusive TRIPLE-TECT seals will perform like LER seals when operating above the grease speed limit

★ If thrust load exceeds adapter maximum allowable thrust load, auxiliary method of carrying thrust load required.

IMPERIAL - ISAF

UNIFIED SAF

International Bearings

Sleeve Bearing

SLEEVOIL

| | | | |
|---------------------------------|----------------------------|-----------------------------|-------------------------------------|
| FEATURES/BENEFITS PAGE B11-3 | HOW TO ORDER PAGE B11-9 | NOMENCLATURE PAGE B11-10 | SELECTION/DIMENSIONS PAGE B11-30 |
|---------------------------------|----------------------------|-----------------------------|-------------------------------------|



SELECTION/DIMENSIONS



SAF-XT and SAFS Spherical Roller Bearings

Table 9: Selection Table

| Shaft Size | | Allowable Equivalent Radial Load Rating (Lbs.) at Various Revolutions Per Minute | | | | | | | | | | | | | | | | |
|------------------------|----------------|--|---------------|---------------|---------------|---------------|---------------|---------------|---------------|---------------|---------------|---------------|--------------|--------------|--------------|--------------|--------------|--------------|
| Adapter Mount (Inches) | Bearing Series | L10 Life Hours | 50 | 100 | 250 | 500 | 750 | 950 | 1,300 | 1,500 | 1,800 | 2,000 | 2,600 | 3,000 | 3,200 | 3,400 | 4500 | 5,600 |
| | | | 1-15/16 | 22211 | 10,000 | 11,355 | 9,223 | 7,006 | 5,691 | 5,039 | 4,694 | 4,273 | 4,093 | 3,875 | 3,755 | 3,470 | 3,325 | 3,261 |
| | | 30,000 | 8,167 | 6,633 | 5,039 | 4,093 | 3,624 | 3,376 | 3,073 | 2,944 | 2,787 | 2,700 | 2,496 | 2,391 | 2,345 | 2,303 | 2,117 | 1,983 |
| | | 60,000 | 6,633 | 5,388 | 4,093 | 3,325 | 2,944 | 2,742 | 2,496 | 2,391 | 2,264 | 2,193 | 2,027 | 1,942 | 1,905 | 1,871 | 1,720 | 1,611 |
| 2-3/16 | 22213 | 10,000 | 16,401 | 13,322 | 10,120 | 8,220 | 7,279 | 6,780 | 6,171 | 5,912 | 5,597 | 5,423 | 5,013 | 4,802 | 4,710 | 4,625 | 4,252 | |
| | | 30,000 | 11,796 | 9,581 | 7,279 | 5,912 | 5,235 | 4,877 | 4,439 | 4,252 | 4,026 | 3,901 | 3,605 | 3,454 | 3,388 | 3,327 | 3,058 | |
| | | 60,000 | 9,581 | 7,783 | 5,912 | 4,802 | 4,252 | 3,961 | 3,605 | 3,454 | 3,270 | 3,168 | 2,928 | 2,805 | 2,752 | 2,702 | 2,484 | |
| 2-7/16 | 22215 | 10,000 | 17,302 | 14,054 | 10,676 | 8,672 | 7,679 | 7,153 | 6,511 | 6,237 | 5,905 | 5,721 | 5,288 | 5,066 | 4,969 | 4,879 | | |
| 2-1/2 | | 30,000 | 12,444 | 10,108 | 7,679 | 6,237 | 5,523 | 5,145 | 4,683 | 4,486 | 4,247 | 4,115 | 3,803 | 3,644 | 3,574 | 3,509 | | |
| | | 60,000 | 10,108 | 8,210 | 6,237 | 5,066 | 4,486 | 4,179 | 3,803 | 3,644 | 3,450 | 3,342 | 3,089 | 2,959 | 2,903 | 2,850 | | |
| 2-11/16 | 22216 | 10,000 | 20,186 | 16,396 | 12,456 | 10,117 | 8,958 | 8,345 | 7,596 | 7,276 | 6,889 | 6,675 | 6,170 | 5,910 | 5,797 | 5,692 | | |
| 2-3/4 | | 30,000 | 14,518 | 11,793 | 8,958 | 7,276 | 6,443 | 6,002 | 5,463 | 5,233 | 4,955 | 4,801 | 4,437 | 4,251 | 4,169 | 4,094 | | |
| | | 60,000 | 11,793 | 9,579 | 7,276 | 5,910 | 5,233 | 4,875 | 4,437 | 4,251 | 4,025 | 3,899 | 3,604 | 3,453 | 3,387 | 3,325 | | |
| 2-15/16 | 22217 | 10,000 | 24,512 | 19,910 | 15,125 | 12,285 | 10,878 | 10,133 | 9,223 | 8,836 | 8,365 | 8,105 | 7,492 | 7,177 | 7,039 | 6,912 | | |
| 3 | | 30,000 | 17,629 | 14,320 | 10,878 | 8,836 | 7,824 | 7,288 | 6,634 | 6,355 | 6,017 | 5,829 | 5,388 | 5,162 | 5,063 | 4,971 | | |
| | | 60,000 | 14,320 | 11,631 | 8,836 | 7,177 | 6,355 | 5,920 | 5,388 | 5,162 | 4,887 | 4,735 | 4,377 | 4,193 | 4,112 | 4,038 | | |
| 3-3/16 | 22218 | 10,000 | 28,116 | 22,838 | 17,349 | 14,092 | 12,478 | 11,623 | 10,580 | 10,135 | 9,596 | 9,297 | 8,593 | 8,232 | 8,074 | 7,929 | | |
| | | 30,000 | 20,222 | 16,425 | 12,478 | 10,135 | 8,974 | 8,360 | 7,609 | 7,289 | 6,901 | 6,687 | 6,180 | 5,921 | 5,807 | 5,703 | | |
| | | 60,000 | 16,425 | 13,342 | 10,135 | 8,232 | 7,289 | 6,790 | 6,180 | 5,921 | 5,606 | 5,431 | 5,020 | 4,809 | 4,717 | 4,632 | | |
| 3-7/16 | 22220 | 10,000 | 34,785 | 28,254 | 21,464 | 17,434 | 15,437 | 14,380 | 13,089 | 12,539 | 11,871 | 11,502 | 10,631 | 10,185 | | | | |
| 3-1/2 | | 30,000 | 25,018 | 20,321 | 15,437 | 12,539 | 11,103 | 10,343 | 9,414 | 9,018 | 8,538 | 8,273 | 7,646 | 7,325 | | | | |
| | | 60,000 | 20,321 | 16,506 | 12,539 | 10,185 | 9,018 | 8,401 | 7,646 | 7,325 | 6,935 | 6,719 | 6,211 | 5,950 | | | | |
| 3-15/16 | 22222 | 10,000 | 43,977 | 35,720 | 27,135 | 22,041 | 19,516 | 18,180 | 16,548 | 15,852 | 15,008 | 14,541 | 13,441 | | | | | |
| 4 | | 30,000 | 31,629 | 25,691 | 19,516 | 15,852 | 14,037 | 13,076 | 11,901 | 11,401 | 10,794 | 10,459 | 9,667 | | | | | |
| | | 60,000 | 25,691 | 20,868 | 15,852 | 12,876 | 11,401 | 10,621 | 9,667 | 9,261 | 8,768 | 8,495 | 7,852 | | | | | |
| 4-3/16 | 22224 | 10,000 | 51,547 | 41,869 | 31,806 | 25,835 | 22,876 | 21,310 | 19,396 | 18,581 | 17,592 | 17,045 | | | | | | |
| | | 30,000 | 37,074 | 30,113 | 22,876 | 18,581 | 16,453 | 15,326 | 13,950 | 13,364 | 12,652 | 12,259 | | | | | | |
| | | 60,000 | 30,113 | 24,460 | 18,581 | 15,092 | 13,364 | 12,449 | 11,331 | 10,855 | 10,277 | 9,957 | | | | | | |
| 4-7/16 | 22226 | 10,000 | 61,279 | 49,774 | 37,812 | 30,712 | 27,195 | 25,333 | 23,058 | 22,089 | 20,913 | 20,263 | | | | | | |
| 4-1/2 | | 30,000 | 44,074 | 35,799 | 27,195 | 22,089 | 19,559 | 18,220 | 16,584 | 15,887 | 15,041 | 14,573 | | | | | | |
| | | 60,000 | 35,799 | 29,078 | 22,089 | 17,942 | 15,887 | 14,799 | 13,470 | 12,904 | 12,217 | 11,837 | | | | | | |
| 4-15/16 | 22228 | 10,000 | 70,652 | 57,387 | 43,594 | 35,410 | 31,354 | 29,208 | 26,585 | 25,467 | 24,112 | 23,362 | | | | | | |
| 5 | | 30,000 | 50,814 | 41,274 | 31,354 | 25,467 | 22,551 | 21,007 | 19,120 | 18,317 | 17,342 | 16,802 | | | | | | |
| | | 60,000 | 41,274 | 33,525 | 25,467 | 20,686 | 18,317 | 17,063 | 15,530 | 14,878 | 14,086 | 13,648 | | | | | | |
| 5-3/16 | 22230 | 10,000 | 82,187 | 66,756 | 50,712 | 41,191 | 36,473 | 33,976 | 30,925 | 29,625 | 28,049 | 27,176 | | | | | | |
| | | 30,000 | 59,111 | 48,013 | 36,473 | 29,625 | 26,232 | 24,436 | 22,242 | 21,307 | 20,173 | 19,545 | | | | | | |
| | | 60,000 | 48,013 | 38,998 | 29,625 | 24,063 | 21,307 | 19,849 | 18,066 | 17,307 | 16,386 | 15,876 | | | | | | |
| 5-7/16 | 22232 | 10,000 | 93,722 | 76,126 | 57,829 | 46,972 | 41,592 | 38,745 | 35,265 | 33,783 | 31,985 | | | | | | | |
| 5-1/2 | | 30,000 | 67,407 | 54,751 | 41,592 | 33,783 | 29,914 | 27,866 | 25,364 | 24,298 | 23,004 | | | | | | | |
| | | 60,000 | 54,751 | 44,472 | 33,783 | 27,441 | 24,298 | 22,634 | 20,602 | 19,736 | 18,685 | | | | | | | |

Note: Dark Shaded Areas Require Circulating Oil
Light Shaded Areas Require Static Oil

| | | | |
|---------------------------------|----------------------------|-----------------------------|-------------------------------------|
| FEATURES/BENEFITS PAGE B11-3 | HOW TO ORDER PAGE B11-9 | NOMENCLATURE PAGE B11-10 | SELECTION/DIMENSIONS PAGE B11-30 |
|---------------------------------|----------------------------|-----------------------------|-------------------------------------|

IMPERIAL - ISAF

UNIFIED SAF

International Bearings

Sleeve Bearing

SLEEVOIL

SELECTION/DIMENSIONS



SAF-XT and SAFS Spherical Roller Bearings

Table 9 (Continued): Selection Table

| Shaft Size | | L10 Life Hours | Allowable Equivalent Radial Load Rating (Lbs.) at Various Revolutions Per Minute | | | | | | | | | | | | | | | |
|--------------------------------------|----------------|----------------|--|---------------|---------------|---------------|---------------|---------------|---------------|---------------|-------|-------|-------|-------|-------|-------|------|-------|
| Adapter Mount (Inches) | Bearing Series | | 50 | 100 | 250 | 500 | 750 | 950 | 1,300 | 1,500 | 1,800 | 2,000 | 2,600 | 3,000 | 3,200 | 3,400 | 4500 | 5,600 |
| 5 -15/16 6 | 22234 | 10,000 | 108,140 | 87,837 | 66,726 | 54,199 | 47,991 | 44,706 | 40,691 | 38,981 | | | | | | | | |
| | | 30,000 | 77,777 | 63,175 | 47,991 | 38,981 | 34,516 | 32,153 | 29,266 | 28,036 | | | | | | | | |
| | | 60,000 | 63,175 | 51,314 | 38,981 | 31,662 | 28,036 | 26,117 | 23,771 | 22,772 | | | | | | | | |
| 6 -7/16 6 1/2 | 22236 | 10,000 | 109,943 | 89,301 | 67,838 | 55,102 | 48,791 | 45,451 | 41,369 | 39,631 | | | | | | | | |
| | | 30,000 | 79,073 | 64,227 | 48,791 | 39,631 | 35,092 | 32,689 | 29,753 | 28,503 | | | | | | | | |
| | | 60,000 | 64,227 | 52,169 | 39,631 | 32,190 | 28,503 | 26,552 | 24,167 | 23,152 | | | | | | | | |
| 6 -15/16 7 | 22238 | 10,000 | 97,326 | 79,053 | 60,054 | 48,779 | 43,192 | 40,235 | 36,622 | | | | | | | | | |
| | | 30,000 | 69,999 | 56,857 | 43,192 | 35,083 | 31,065 | 28,938 | 26,339 | | | | | | | | | |
| | | 60,000 | 56,857 | 46,182 | 35,083 | 28,496 | 25,232 | 23,505 | 21,394 | | | | | | | | | |
| 7 -3/16 | 22240 | 10,000 | 108,140 | 87,837 | 66,726 | 54,199 | 47,991 | 44,706 | | | | | | | | | | |
| | | 30,000 | 77,777 | 63,175 | 47,991 | 38,981 | 34,516 | 32,153 | | | | | | | | | | |
| | | 60,000 | 63,175 | 51,314 | 38,981 | 31,662 | 28,036 | 26,117 | | | | | | | | | | |
| 7 -1/2 7 -15/16 8 | 22244 | 10,000 | 131,571 | 106,869 | 81,184 | 65,942 | 58,389 | 54,392 | | | | | | | | | | |
| | | 30,000 | 94,629 | 76,862 | 58,389 | 47,427 | 41,995 | 39,120 | | | | | | | | | | |
| | | 60,000 | 76,862 | 62,432 | 47,427 | 38,522 | 34,110 | 31,775 | | | | | | | | | | |
| 8 -7/16 8 -15/16 9 | 23048 | 10,000 | 93,722 | 76,126 | 57,829 | 46,972 | 41,592 | 38,745 | | | | | | | | | | |
| | | 30,000 | 67,407 | 54,751 | 41,592 | 33,783 | 29,914 | 27,866 | | | | | | | | | | |
| | | 60,000 | 54,751 | 44,472 | 33,783 | 27,441 | 24,298 | 22,634 | | | | | | | | | | |
| 9 -7/16 9-1/2 | 23052 | 10,000 | 122,559 | 99,549 | 75,623 | 61,425 | 54,390 | 50,666 | | | | | | | | | | |
| | | 30,000 | 88,147 | 71,598 | 54,390 | 44,178 | 39,118 | 36,440 | | | | | | | | | | |
| | | 60,000 | 71,598 | 58,155 | 44,178 | 35,884 | 31,774 | 29,599 | | | | | | | | | | |
| 9 -15/16 10 10 -7/16 10-1/2 | 23056 | 10,000 | 124,361 | 101,013 | 76,735 | 62,328 | 55,190 | | | | | | | | | | | |
| | | 30,000 | 89,444 | 72,651 | 55,190 | 44,828 | 39,694 | | | | | | | | | | | |
| | | 60,000 | 72,651 | 59,011 | 44,828 | 36,412 | 32,241 | | | | | | | | | | | |

Note: Dark Shaded Areas Require Circulating Oil
Light Shaded Areas Require Static Oil

IMPERIAL - ISAF

UNIFIED SAF

International Bearings

Sleeve Bearing

SLEEVOIL

| | | | |
|---------------------------------|----------------------------|-----------------------------|-------------------------------------|
| FEATURES/BENEFITS PAGE B11-3 | HOW TO ORDER PAGE B11-9 | NOMENCLATURE PAGE B11-10 | SELECTION/DIMENSIONS PAGE B11-30 |
|---------------------------------|----------------------------|-----------------------------|-------------------------------------|



SELECTION/DIMENSIONS



Pillow Block Housing Permissible Thrust Load*

(lbs Maximum)

| Shaft Size - Inches | HSG. No. | Bearing Type | | | |
|------------------------------|----------|--------------|--------|--------|--------|
| | | SAF-XT | | SAFS | |
| | | 2-Bolt | 4-Bolt | 2-Bolt | 4-Bolt |
| 1-3/16 | 507 | - | - | 2900 | - |
| 1-7/16 | 509 | - | - | 3100 | - |
| 1-11/16 | 510 | - | - | 2800 | - |
| 1-15/16 | 511 | 4700 | - | 4600 | - |
| 2-3/16 | 513 | 4800 | - | 4800 | - |
| 2-7/16, 2-1/2 | 515 | 4500 | 5600 | 4500 | 5600 |
| 2-11/16, 2-3/4 | 516 | 6900 | 9300 | 6900 | 9300 |
| 2-15/16, 3 | 517 | 6500 | 8700 | 6500 | 8700 |
| 3-3/16 | 518 | 6600 | 9000 | 6600 | 9000 |
| 3-7/16, 3-1/2 | 520 | 5500 | 13400 | 5500 | 13400 |
| 3-15/16, 4 | 522 | - | 13300 | - | 13300 |
| 4-3/16 | 524 | - | 12500 | - | 12500 |
| 4-7/16, 4-1/2 | 526 | - | 9700 | - | 9800 |
| 4-15/16, 5 | 528 | - | 14700 | - | 14700 |
| 5-3/16 | 530 | - | 14800 | - | 14800 |
| 5-7/16, 5-1/2 | 532 | - | 14000 | - | 14000 |
| 5-15/16, 6 | 534 | - | 14400 | - | 14300 |
| 6-7/16, 6-1/2 | 536 | - | 14200 | - | 14300 |
| 6-15/16, 7 | 538 | - | 22800 | - | 22800 |
| 7-1/2, 7-15/16, 8 | 544 | - | 32000 | - | 32000 |
| 8-7/16, 8-1/2, 8-15/16, 9 | 48 | - | 23000 | - | 23000 |
| 9-7/16, 9-1/2 | 52 | - | 32000 | - | 32000 |
| 9-15/16, 10, 10-7/16, 10-1/2 | 56 | - | 55000 | - | 59000 |

1. When utilizing heavy thrust loads on pillow block housings, the installation will require proper mounting procedures.
2. The pillow block base bolts must be of adequate strength (Grade 8) and properly tightened to the mounting structure.
3. The use of stop bars (shear strips) against pillow block mounting base is required.
4. Shaft shoulder, snap rings or thrust collars should be used to locate the inner ring on the shaft.
5. In all cases where thrust loads are large, the L_{10} Life of the bearing should be checked for proper selection and life requirements.

* Spherical bearings require a radial load at least equal to the thrust load for proper operation $FA/FR \leq 1$. If the thrust load exceeds this limit, consult DODGE Application Engineering.

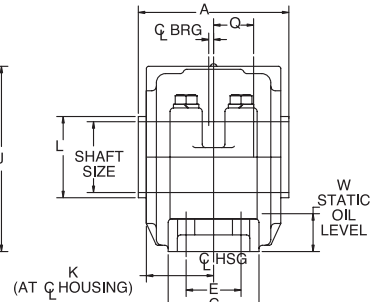
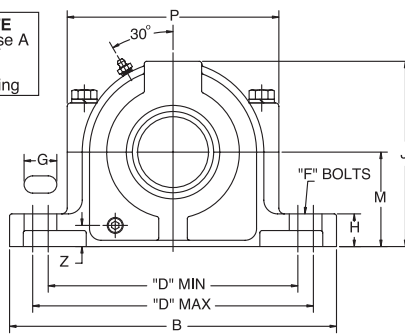
| | | | |
|---------------------------------|----------------------------|-----------------------------|-------------------------------------|
| FEATURES/BENEFITS PAGE B11-3 | HOW TO ORDER PAGE B11-9 | NOMENCLATURE PAGE B11-10 | SELECTION/DIMENSIONS PAGE B11-30 |
|---------------------------------|----------------------------|-----------------------------|-------------------------------------|

SELECTION/DIMENSIONS



SAFS Steel Housing Pillow Blocks (22200K/2300K ADAPTER MOUNT BEARING)

LUBE NOTE
All Sizes Use A
1/8-27 NPT
Hydraulic
Grease Fitting



| Shaft Size Inch ▲ | Housing No. | Part Numbers | | | | Approx. Wt. lbs. | A with Seals | | | B | C |
|-------------------|-------------|-------------------------|--------------|-------------------------|--------------|------------------|--------------|-------------|----------|--------|-------|
| | | SAFS 2-Bolt | | SAFS 4-Bolt | | | Std. | Optional | | | |
| | | Complete Pillow Block ★ | Housing Only | Complete Pillow Block ★ | Housing Only | | | TRIPLE-TECT | LER/ER | | |
| 2-7/16 | 515 | 042400 | 042425 | 042410 | 042428 | 24 | 5-5/32 | 4-43/64 | 7-7/16 | 11-1/4 | 3-1/8 |
| 2-1/2 | 515 | 042401 | 042425 | 042411 | 042428 | | | | | | |
| 2-11/16 | 516 | 042407† | 044231 | 042408† | 044232 | 32 | 5-27/64 | 4-51/64 | 7-5/8 | 13 | 3-1/2 |
| 2-3/4 | 516 | 042420† | 044231 | 042421† | 044232 | | | | | | |
| 2-15/16 | 517 | 042402 | 042433 | 042412 | 042436 | 35 | 5-39/64 | 4-63/64 | 7-7/8 | 13 | 3-1/2 |
| 3 | 517 | 042403 | 042433 | 042413 | 042436 | | | | | | |
| 3-3/16 | 518 | 042424† | 044233 | 042430† | 044234 | 44 | 6-9/64 | 5-5/8 | 8 | 13-3/4 | 3-7/8 |
| 3-7/16 | 520 | 042404 | 042440 | 042414 | 042443 | 74 | 6-13/32 | 5-13/16 | 8-1/2 | 15-1/4 | 4-3/8 |
| 3-1/2 | 520 | 042405 | 042440 | 042415 | 042443 | | | | | | |
| 3-15/16 | 522 | - | - | 042416 | 042450 | 97 | 6-55/64 | 6-3/8 | 8-41/64 | 16-1/2 | 4-3/4 |
| 4 | 522 | | | 042417 | 042450 | | | | | | |
| 4-3/16 | 524 | - | - | 042432† | 044235 | 120 | 8-1/32 | 7-7/16 | 8-57/64 | 16-1/2 | 4-3/4 |
| 4-7/16 | 526 | - | - | 042568 | 042455 | 160 | 8-15/32 | 7-7/8 | 9-29/64 | 18-3/8 | 5-1/8 |
| 4-1/2 | 526 | - | - | 042575 | 042455 | | | | | | |
| 4-15/16 | 528 | - | - | 042569 | 042460 | 175 | 8-3/32 | 7-1/2 | 10-21/64 | 20-1/8 | 5-7/8 |
| 5 | 528 | | | 042576 | 042460 | | | | | | |
| 5-3/16 | 530 | - | - | 042439† | 044236 | 220 | 8-3/4 | 8-5/32 | 10-41/64 | 21-1/4 | 6-1/4 |
| 5-7/16 | 532 | - | - | 042570 | 042465 | 245 | 9-7/32 | 8-5/8 | 10-29/64 | 22 | 6-1/4 |
| 5-1/2 | 532 | - | - | 042577 | 042465 | | | | | | |
| 5-15/16 | 534 | - | - | 042571 | 042469 | 310 | 9-58/64 | 9-1/8 | 11-7/8 | 24-3/4 | 6-3/4 |
| 6 | 534 | | | 042578 | 042469 | | | | | | |
| 6-7/16 | 536 | - | - | 042572 | 042468 | 345 | 10-11/32 | 9-5/8 | 11-25/64 | 26-3/4 | 7-1/8 |
| 6-1/2 | 536 | - | - | 042579 | 042468 | | | | | | |
| 6-15/16 | 538 | - | - | 042573 | 042472 | 400 | 10-27/32 | 10-1/8 | 11-5/32 | 28 | 7-1/2 |
| 7 | 538 | | | 042580 | 042472 | | | | | | |
| 7-1/2 | 544 | - | - | 042446† | 044277 | 640 | 12-3/32 | 11-5/8 | 13-13/64 | 32-3/4 | 8-3/4 |
| 7-15/16 | 544 | - | - | 042581 | 042477 | | | | | | |
| 8 | 544 | | | 042574 | 044277 | | | | | | |

★ Includes: (1) housing with Spacers, (1) Standard Spherical Bearing, (1) SNW Assembly (SNP above 8") and (2) TRIPLE-TECT Seals unless otherwise noted.

▲ Sizes not listed will be quoted on application
SAFS 2-Bolt Pillow Block (P2B-SAFS ---)
SAFS 4-Bolt Pillow Block (P4B-SAFS ---)

| | | | |
|---------------------------------|----------------------------|-----------------------------|-------------------------------------|
| FEATURES/BENEFITS PAGE B11-3 | HOW TO ORDER PAGE B11-9 | NOMENCLATURE PAGE B11-10 | SELECTION/DIMENSIONS PAGE B11-30 |
|---------------------------------|----------------------------|-----------------------------|-------------------------------------|



SELECTION/DIMENSIONS



SAFS Steel Housing Pillow Blocks

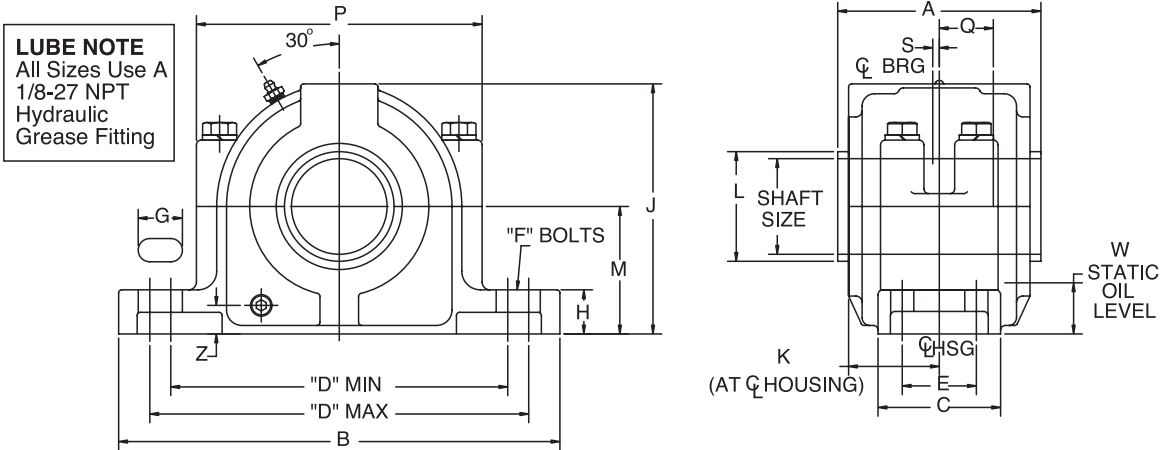
IMPERIAL - ISAF

UNIFIED SAF

International Bearings

Sleeve Bearing

SLEEVOIL



| | | | |
|---------------------------------|----------------------------|-----------------------------|-------------------------------------|
| FEATURES/BENEFITS PAGE B11-3 | HOW TO ORDER PAGE B11-9 | NOMENCLATURE PAGE B11-10 | SELECTION/DIMENSIONS PAGE B11-30 |
|---------------------------------|----------------------------|-----------------------------|-------------------------------------|

SELECTION/DIMENSIONS



SAFS Steel Housing Pillow Blocks

| Shaft Size Inch | Dimension | | | | E | Bolt Dia. | | G | H | J | K | L | M | P | Q | S | W | Z |
|-----------------------|-----------|--------|--------|--------|-------|-----------|-------|------------------------|-------|----------|---------|--------------------|---------|----------|---------|------|---------|---------|
| | D | | | | | F | | | | | | | | | | | | |
| | 2-Bolt | | 4-Bolt | | | 2B | 4B | | | | | | | | | | | |
| | Min. | Max. | Min. | Max. | | | | | | | | | | | | | | |
| 2-7/16 2-1/2 | 8-3/4 | 9-1/2 | 8-5/8 | 9-5/8 | 1-7/8 | 5/8 | 1/2 | 1-1/8 | 1-1/4 | 6-7/16 | 2-5/16 | 2-51/64 | 3-1/4 | 7-1/16 | 1-11/32 | 1/8 | 1-5/32 | 5/8 |
| 2-11/16 2-3/4 | 10-1/8 | 10-5/8 | 9-7/8 | 10-7/8 | 2-1/8 | 3/4 | 5/8 | 1-1/4 | 1-1/2 | 6-7/8 | 2-3/8 | 3-11/64 | 3-1/2 | 8 | 1-15/32 | 3/16 | 1-1/4 | 5/8 |
| 2-15/16 3 | 10-1/4 | 10-3/4 | 10 | 11 | 2-1/8 | 3/4 | 5/8 | 1-1/8, 2B 1-1/4, 4B | 1-1/2 | 7-3/8 | 2-15/32 | 3-27/64 | 3-3/4 | 8-1/4 | 1-9/16 | 3/16 | 1-3/8 | 3/4 |
| 3-3/16 | 10-3/4 | 11-1/4 | 10-1/2 | 11-1/2 | 2-1/8 | 3/4 | 5/8 | 1-1/4 | 1-5/8 | 7-3/4 | 2-3/4 | 3-11/16 | 4 | 8-1/4 | 1-45/64 | 3/16 | 1-15/32 | 11/16 |
| 3-7/16 3-1/2 | 11-7/8 | 12-5/8 | 11-3/4 | 12-3/4 | 2-3/8 | 7/8 | 3/4 | 1-3/8 | 1-3/4 | 8-3/4 | 2-29/32 | 3-53/64 | 4-1/2 | 9-13/16 | 1-57/64 | 3/16 | 1-41/64 | 15/16 |
| 3-15/16 4 | - | - | 12-7/8 | 14-1/8 | 2-3/4 | - | 3/4 | 1-1/2 | 2 | 9-5/8 | 3-1/8 | 4-21/64 | 4-15/16 | 10-5/8 | 2-5/64 | 3/16 | 1-51/64 | 1-1/8 |
| 4-3/16 | - | - | 13-1/4 | 14-1/2 | 2-3/4 | - | 3/4 | 1-1/2 | 1-3/4 | 10-1/4 | 3-21/32 | 4-19/32 | 5-1/4 | 11-1/2 | 2-7/32 | 3/16 | 1-27/32 | 1 |
| 4-7/16 4-1/2 | - | - | 14-1/2 | 16 | 3-1/4 | - | 7/8 | 1-3/4 | 2-1/2 | 11-9/16 | 3-7/8 | 4-15/16 | 6 | 12-13/16 | 2-13/32 | 3/16 | 2-11/32 | 1-9/32 |
| 4-15/16 5 | - | - | 15-5/8 | 17-3/8 | 3-3/8 | - | 1 | 2 | 2-1/2 | 12 | 3-11/16 | 5-23/64 | 6 | 13-9/16 | 2-17/32 | 3/16 | 2-1/32 | 1-3/16 |
| 5-3/16 | - | - | 16-3/4 | 18-1/2 | 3-3/4 | - | 1 | 2 | 2-1/2 | 12-13/16 | 4-1/16 | 5-49/64 | 6-5/16 | 14-1/2 | 2-11/16 | 3/16 | 2-1/32 | 1-3/16 |
| 5-7/16 5-1/2 | - | - | 17-3/8 | 19-1/8 | 3-3/4 | - | 1 | 2 | 2-3/4 | 13-11/16 | 4-1/4 | 5-7/8 | 6-11/16 | 15-1/8 | 2-57/64 | 3/16 | 2-3/32 | 1-7/32 |
| 5-15/16 6 | - | - | 19-3/8 | 21-5/8 | 4-1/4 | - | 1 | 2 | 2-7/8 | 14-9/16 | 4-5/8 | 6-7/16 | 7-1/16 | 16-13/16 | 3-1/8 | 3/16 | 2-3/16 | 1-36/64 |
| 6-7/16 6-1/2 | - | - | 21-3/8 | 23-1/8 | 4-5/8 | - | 1 | 2 | 3 | 15-1/4 | 4-13/16 | 6-51/64 | 7-1/2 | 17-3/16 | 3-5/64 | 3/16 | 2-27/64 | 1-3/32 |
| 6-15/16 7 | - | - | 22-1/8 | 23-7/8 | 4-1/2 | - | 1-1/4 | 2-1/4 | 3-1/8 | 16-1/8 | 5-1/8 | 7-3/8 | 7-7/8 | 17-7/8 | 3-15/64 | 3/16 | 2-17/32 | 1-5/16 |
| 7-1/2 7-15/16 8 | - | - | 25-1/8 | 27-7/8 | 5-1/4 | - | 1-1/2 | 3 | 3-7/8 | 19-1/4 | 5-3/4 | 7-15/16 8-21/64 | 9-1/2 | 20-3/4 | 3-41/64 | 3/16 | 3-1/4 | 1-7/8 |

◆ Distance shaft should extend beyond housing centerline of pillow block is closed end style.

★ Non-expansion bearing offset from centerline. For Expansion Bearing S = 0.

■ Based on TRIPLE-TECT seals.

| | | | |
|---------------------------------|----------------------------|-----------------------------|-------------------------------------|
| FEATURES/BENEFITS PAGE B11-3 | HOW TO ORDER PAGE B11-9 | NOMENCLATURE PAGE B11-10 | SELECTION/DIMENSIONS PAGE B11-30 |
|---------------------------------|----------------------------|-----------------------------|-------------------------------------|

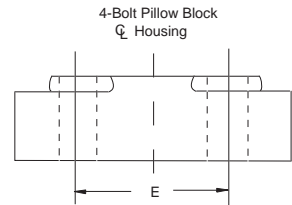
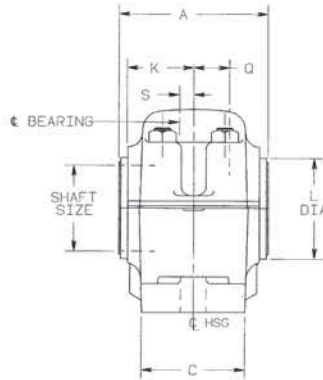
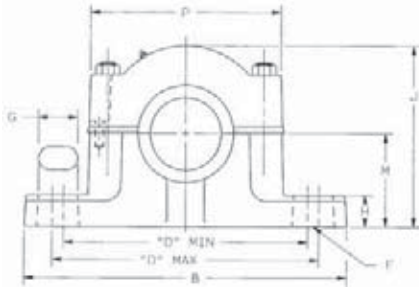


SELECTION/DIMENSIONS



SAF-XT Pillow Blocks - 2-Bolt Base (22200K Adapter Mount Bearings)

LUBE NOTE:
All Sizes Use
A 1/8-27 NPT
Hydraulic
Grease Fitting



(22200K Adapter Mount Bearing)

| Shaft Size ▲ Inch | Complete Pillow Block Desig SAF-XT | Part No. ★ | Wt. | A | | | B | C | D | | Bolt Dia. F | G | H | J | K | L ▼ | M | P | Q | S CL of Housing to CL of Bearing | |
|-------------------------|------------------------------------|------------|------|------------------|----------|---------|--------|-------|--------|--------|-------------|--------|-------|---------|---------|---------|-------|---------|---------|-------------------------------------|----------------|
| | | | | Std. TRIPLE-TECT | Optional | | | | Min. | Max. | | | | | | | | | | Exp. Block | Non-Exp. Block |
| | | | | | LER | AUX. | | | | | | | | | | | | | | | |
| 1-15/16 | 22511 | 042001 | 17.3 | 4-9/64 | 3-5/8 | 5-35/64 | 9-5/8 | 2-3/4 | 7-1/2 | 7-3/4 | 5/8 | 7/8 | 15/16 | 5-1/4 | 1-27/32 | 2-19/64 | 2-3/4 | 5-5/8 | 31/32 | 3/16 | 19/64 |
| 2-3/16 | 22513 | 042002 | 23.8 | 4-17/32 | 4 | 5-13/16 | 11 | 3-1/8 | 8-1/4 | 9-3/8 | 5/8 | 1-5/16 | 1 | 5-15/16 | 2-1/32 | 2-35/64 | 3 | 6-13/32 | 1-1/8 | 1/4 | 25/64 |
| 2-7/16 | 22515 | 042003 | 29.7 | 4-29/32 | 4-27/64 | 7-7/16 | 11-1/4 | 3-1/8 | 8-3/4 | 9-1/2 | 5/8 | 1-1/8 | 1-1/4 | 6-7/16 | 2-3/16 | 2-51/64 | 3-1/4 | 7 | 1-13/64 | 5/32 | 17/64 |
| 2-1/2 | | 042004 | 29.6 | 4-29/32 | 4-27/64 | 7-7/16 | 11-1/4 | 3-1/8 | 8-3/4 | 9-1/2 | 5/8 | 1-1/8 | 1-1/4 | 6-7/16 | 2-3/16 | 2-51/64 | 3-1/4 | 7 | 1-13/64 | 5/32 | 17/64 |
| 2-11/16 | 22516 | 042005 | 36.3 | 5-15/64 | 4-39/64 | 7-5/8 | 13 | 3-1/2 | 10-1/8 | 10-5/8 | 3/4 | 1-1/8 | 1-1/2 | 6-7/8 | 2-9/32 | 3-11/64 | 3-1/2 | 7-15/16 | 1-9/32 | 3/16 | 3/8 |
| 2-3/4 | | 042006 | 36.1 | 5-15/64 | 4-39/64 | 7-5/8 | 13 | 3-1/2 | 10-1/8 | 10-5/8 | 3/4 | 1-1/8 | 1-1/2 | 6-7/8 | 2-9/32 | 3-11/64 | 3-1/2 | 7-15/16 | 1-9/32 | 3/16 | 3/8 |
| 2-15/16 | 22517 | 042007 | 42.3 | 5-31/64 | 4-55/64 | 7-7/8 | 13 | 3-1/2 | 10-1/4 | 10-3/4 | 3/4 | 1-1/8 | 1-1/2 | 7-3/8 | 2-13/32 | 3-27/64 | 3-3/4 | 7-15/16 | 1-3/8 | 3/16 | 3/8 |
| 3 | | 042008 | 42.1 | 5-31/64 | 4-55/64 | 7-7/8 | 13 | 3-1/2 | 10-1/4 | 10-3/4 | 3/4 | 1-1/8 | 1-1/2 | 7-3/8 | 2-13/32 | 3-27/64 | 3-3/4 | 7-15/16 | 1-3/8 | 3/16 | 3/8 |
| 3-3/16 | 22518 | 042009 | 52.5 | 5-61/64 | 5-7/16 | 8 | 13-3/4 | 3-7/8 | 10-3/4 | 11-1/4 | 3/4 | 1-1/8 | 1-5/8 | 7-3/4 | 2-21/32 | 3-11/16 | 4 | 8-7/16 | 1-13/32 | 19/64 | 31/64 |
| 3-7/16 | 22520 | 042010 | 69.5 | 6-7/32 | 5-5/8 | 8-1/2 | 15-1/4 | 4-3/8 | 11-7/8 | 12-5/8 | 7/8 | 1-3/8 | 1-3/4 | 8-3/4 | 2-3/4 | 3-53/64 | 4-1/2 | 9-7/16 | 1-17/32 | 3/8 | 9/16 |
| 3-1/2 | | 042011 | 69.2 | 6-7/32 | 5-5/8 | 8-1/2 | 15-1/4 | 4-3/8 | 11-7/8 | 12-5/8 | 7/8 | 1-3/8 | 1-3/4 | 8-3/4 | 2-3/4 | 3-53/64 | 4-1/2 | 9-7/16 | 1-17/32 | 3/8 | 9/16 |

▲ Sizes not listed will be quoted on application.

★ Furnished unless otherwise specified. Includes (1) Housing with Spacer, (1) Standard Spherical Bearing, (1) SNW Assembly and (2) TRIPLE-TECT Seals.

♦ Distance shaft should extend beyond housing centerline (C_L) if pillow block is closed end style.

▼ Dimensions shown with TRIPLE-TECT seals installed.

NOTE: SAF-XT Pillow Blocks use UNIFIED adaptors, seals and bearings. All UNIFIED 500 Series accessories are available for use with SAF-XT except Drop-In TRIPLE-TECT and SPLIT-SPHER which are UNIFIED exclusives.

| | | | |
|---------------------------------|----------------------------|-----------------------------|-------------------------------------|
| FEATURES/BENEFITS PAGE B11-3 | HOW TO ORDER PAGE B11-9 | NOMENCLATURE PAGE B11-10 | SELECTION/DIMENSIONS PAGE B11-30 |
|---------------------------------|----------------------------|-----------------------------|-------------------------------------|

SELECTION/DIMENSIONS



SAF-XT Pillow Blocks - 4-Bolt Base (22200K/23000K Adapter Mount Bearings)

| Shaft Size ▲ Inch | Complete Pillow Block Desig SAF-XT | Part No. P4B-SFXT | Wt. | A | | | B | C | D | | E | Bolt Dia. F | G | H | J | K | L ▼ | M | P | Q ◆ | S | |
|-------------------------|------------------------------------|-------------------|-------|------------------|----------|----------|--------|--------|--------|--------|-------|-------------|-------|-------|----------|---------|---------|---------|---------|---------|--|---------|
| | | | | Std. TRIPLE-TECT | Optional | | | | Min. | Max. | | | | | | | | | | | C ₁ of Housing to C ₁ of Bearing | Non-Exp |
| | | | | | LER | AUX. | | | | | | | | | | | | | | | | |
| 2-7/16 | 22515 | 042015 | 29.7 | 4-29/32 | 4-27/64 | 7-7/16 | 11-1/4 | 3-1/8 | 8-5/8 | 9-5/8 | 1-7/8 | 1/2 | 1-1/8 | 1-1/4 | 6-7/16 | 2-3/16 | 2-51/64 | 3-1/4 | 7 | 1-13/64 | 5/32 | 17/64 |
| 2-1/2 | | 042016 | 29.6 | | | | | | | | | | | | | | | | | | | |
| 2-11/16 | 22516 | 042017 | 36.3 | 5-15/64 | 4-39/64 | 7-5/8 | 13 | 3-1/2 | 9-7/8 | 10-7/8 | 2-1/8 | 5/8 | 1-1/4 | 1-1/2 | 6-7/8 | 2-9/32 | 3-11/64 | 3-1/2 | 7-15/16 | 1-9/32 | 3/16 | 3/8 |
| 2-3/4 | | 042030 | 36.1 | | | | | | | | | | | | | | | | | | | |
| 2-15/16 | 22517 | 042019 | 42.3 | 5-31/64 | 4-55/64 | 7-7/8 | 13 | 3-1/2 | 10 | 11 | 2-1/8 | 5/8 | 1-1/4 | 1-1/2 | 7-3/8 | 2-13/32 | 3-27/64 | 3-3/4 | 7-15/16 | 1-3/8 | 3/16 | 3/8 |
| 3 | | 042020 | 42.1 | | | | | | | | | | | | | | | | | | | |
| 3-3/16 | 22518 | 042021 | 52.5 | 5-61/64 | 5-7/16 | 8 | 13-3/4 | 3-7/8 | 10-1/2 | 11-1/2 | 2-1/8 | 5/8 | 1-1/4 | 1-5/8 | 7-3/4 | 2-21/32 | 3-11/16 | 4 | 8-7/16 | 1-13/32 | 19/32 | 31/64 |
| 3-7/16 | | 042022 | 69.5 | | | | | | | | | | | | | | | | | | | |
| 3-1/2 | 22520 | 042023 | 69.2 | 6-7/32 | 5-5/8 | 8-1/2 | 15-1/4 | 4-3/8 | 11-3/4 | 12-3/4 | 2-3/8 | 3/4 | 1-3/8 | 1-3/4 | 8-3/4 | 2-3/4 | 3-53/64 | 4-1/2 | 9-7/16 | 1-17/32 | 3/8 | 9/16 |
| 3-15/16 | | 042024 | 92.9 | | | | | | | | | | | | | | | | | | | |
| 4 | 22522 | 042025 | 92.6 | 6-51/64 | 6-5/16 | 8-41/64 | 16-1/2 | 4-3/4 | 12-7/8 | 14-1/8 | 2-3/4 | 3/4 | 1-1/2 | 2 | 9-5/8 | 3-1/32 | 4-21/64 | 4-15/16 | 10-9/16 | 1-47/64 | 3/8 | 35/64 |
| 4-3/16 | | 042270 | 101.8 | | | | | | | | | | | | | | | | | | | |
| 4-7/16 | 22526 | 042271 | 148 | 7-13/32 | 6-13/16 | 9-29/64 | 18-3/8 | 5-1/8 | 14-1/2 | 16 | 3-1/4 | 7/8 | 1-3/4 | 2-1/2 | 11-11/16 | 3-9/32 | 4-15/16 | 6 | 11-5/8 | 1-61/64 | 29/64 | 41/64 |
| 4-1/2 | | 042272 | 147.7 | | | | | | | | | | | | | | | | | | | |
| 4-15/16 | 22528 | 042273 | 173.9 | 7-21/32 | 7-1/16 | 10-21/64 | 20-1/8 | 5-7/8 | 15-5/8 | 17-3/8 | 3-3/8 | 1 | 2 | 2-1/2 | 12-1/8 | 3-13/32 | 5-23/64 | 6 | 12-7/16 | 2-3/64 | 1/2 | 11/16 |
| 5 | | 042274 | 173.6 | | | | | | | | | | | | | | | | | | | |
| 5-3/16 | 22530 | 042282 | 215 | 7-31/32 | 7-3/8 | 10-41/64 | 21-1/4 | 6-1/4 | 16-3/4 | 18-1/2 | 3-3/4 | 1 | 2 | 2-1/2 | 12-13/16 | 3-9/16 | 5-49/64 | 6-5/16 | 13-9/16 | 2-9/64 | 9/16 | 3/4 |
| 5-7/16 | | 042283 | 245 | | | | | | | | | | | | | | | | | | | |
| 5-1/2 | 22532 | 042284 | 244 | 8-9/32 | 7-11/16 | 10-29/64 | 22 | 6-1/4 | 17-3/8 | 19-1/8 | 3-3/4 | 1 | 2 | 2-3/4 | 13-11/16 | 3-23/32 | 5-7/8 | 6-11/16 | 14-3/16 | 2-21/64 | 37/64 | 49/64 |
| 5-15/16 | | 042303 | 300 | | | | | | | | | | | | | | | | | | | |
| 6 | 22534 | 042304 | 299 | 8-21/32 | 7-15/16 | 10-45/64 | 24-3/4 | 6-3/4 | 19-5/8 | 21-3/8 | 4-1/4 | 1 | 2 | 2-7/8 | 14-9/16 | 3-27/32 | 6-7/16 | 7-1/16 | 16-5/16 | 2-15/32 | 37/64 | 25/32 |
| 6-7/16 | | 042305 | 372 | | | | | | | | | | | | | | | | | | | |
| 6-1/2 | 22536 | 042306 | 371 | 8-27/32 | 8-1/8 | 11-25/64 | 26-3/4 | 7-1/8 | 21-3/8 | 23-1/8 | 4-5/8 | 1 | 2 | 3 | 15-1/4 | 3-15/16 | 6-51/64 | 7-1/2 | 17-7/8 | 2-17/32 | 35/64 | 3/4 |
| 6-15/16 | | 042307 | 407 | | | | | | | | | | | | | | | | | | | |
| 7 | 22538 | 042308 | 406 | 9-11/32 | 8-5/8 | 11-15/32 | 28 | 7-1/2 | 22-1/8 | 23-7/8 | 4-1/2 | 1-1/4 | 2-1/4 | 3-1/8 | 16 | 4-3/16 | 7-3/8 | 7-7/8 | 18-5/16 | 2-39/64 | 5/8 | 13/16 |
| 7-1/2 | | 042309 | 626 | | | | | | | | | | | | | | | | | | | |
| 7-15/16 | 22544 | 042370 | 625 | 10-21/32 | 9-15/16 | 13-13/64 | 32-3/4 | 8-3/4 | 25-1/8 | 27-7/8 | 5-1/4 | 1-1/2 | 3 | 3-7/8 | 19-1/4 | 4-27/32 | 7-15/16 | 9-1/2 | 20-5/8 | 2-59/64 | 23/32 | 29/32 |
| 8 | | 042371 | 624 | | | | | | | | | | | | | | | | | | | |
| 8-7/16 | 23048 | 042372† | 408 | 10-1/2 | 9-1/16 | 12-37/64 | 28-3/4 | 8 | 22-1/2 | 25 | 5 | 1-1/4 | 2-3/4 | 3-1/4 | 17-1/16 | 4-13/32 | 9-21/64 | 8-1/4 | 18-5/16 | 2-15/16 | 25/32 | 25/32 |
| 8-1/2 | | 042373 | 407 | | | | | | | | | | | | | | | | | | | |
| 8-15/16 | | 042374 | 406 | | | | | | | | | | | | | | | | | | | |
| 9 | | 042375 | 405 | | | | | | | | | | | | | | | | | | | |
| 9-7/16 | 23052 | 042377 | 624 | 10-23/64 | 9-15/16 | 13-29/64 | 32-3/4 | 8-3/4 | 25-1/8 | 27-7/8 | 5-1/4 | 1-1/2 | 3 | 3-7/8 | 19-1/4 | 4-27/32 | 9-63/64 | 9-1/2 | 20-5/8 | 3-7/32 | 45/64 | 45/64 |
| 9-1/2 | | 042556 | 624 | | | | | | | | | | | | | | | | | | | |
| 9-15/16 | 2356 | 042378 • | 707 | 13-49/64 | 12-1/2 | 15-45/64 | 32 | 11-1/4 | 25-3/4 | 27-3/4 | 7-1/4 | 1-3/4 | 2-7/8 | 4 | 19-7/8 | 6-5/32 | 10-3/8 | 9-1/2 | 20-3/4 | 3-13/16 | 7/8 | 7/8 |
| 10 | | 042376 • | | | | | | | | | | | | | | | | | | | | |
| 10-7/16 | | 042379 • | | | | | | | | | | | | | | | | | | | | |
| 10-1/2 | | 042572 • | | | | | | | | | | | | | | | | | | | | |

- ▲ Sizes not listed will be quoted on application.
- ★ Includes (1) Housing with Spacer, (1) Standard Spherical Bearing, (1) SNW Assembly (SNP above 8,) and (2) TRIPLE-TECT Seals unless otherwise noted
- ◆ Distance shaft should extend beyond housing centerline (C₁) if pillow block is closed end style.
- ▼ Dimensions shown with TRIPLE-TECT seals installed.
- Made-To-Order - Consult DODGE for delivery
- † Assembled to order. Consult DODGE for delivery

NOTE: SAF-XT Pillow Blocks use USAF 500 adaptors, seals, and bearings. Part numbers for these individual components can be found on Pages B11-30 thru B11-43. All USAF 500 Series accessories are available for use with SAF-XT except Drop-In TRIPLE-TECT seals and SPLIT-SPHER components which are UNIFIED exclusives

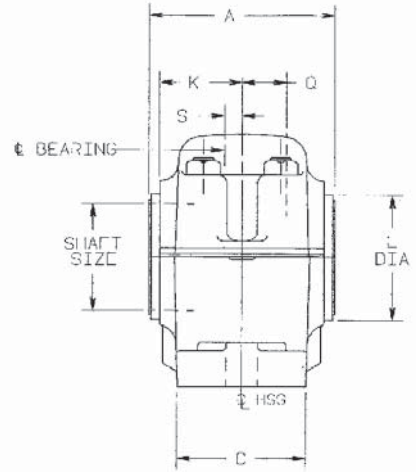
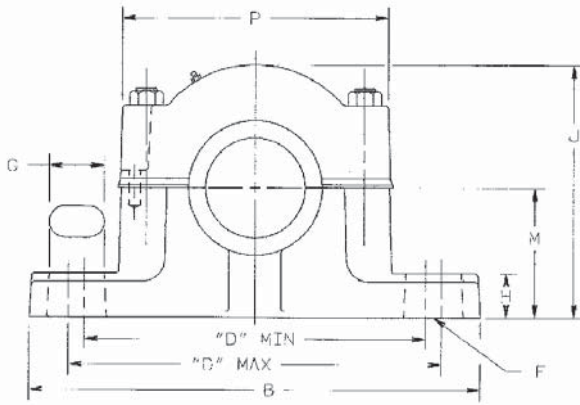
| | | | |
|---------------------------------|----------------------------|-----------------------------|-------------------------------------|
| FEATURES/BENEFITS PAGE B11-3 | HOW TO ORDER PAGE B11-9 | NOMENCLATURE PAGE B11-10 | SELECTION/DIMENSIONS PAGE B11-30 |
|---------------------------------|----------------------------|-----------------------------|-------------------------------------|

SELECTION/DIMENSIONS



SAF-XT Pillow Blocks Housing

LUBE NOTE:
 All Sizes Use
 A 1/8-27 NPT
 Hydraulic
 Grease Fitting



| | | | |
|---------------------------------|----------------------------|-----------------------------|-------------------------------------|
| FEATURES/BENEFITS PAGE B11-3 | HOW TO ORDER PAGE B11-9 | NOMENCLATURE PAGE B11-10 | SELECTION/DIMENSIONS PAGE B11-30 |
|---------------------------------|----------------------------|-----------------------------|-------------------------------------|

SELECTION/DIMENSIONS



SAF-XT Pillow Blocks Housing

| S-1 Size Inch (mm) | Shaft Housing | 2-Bolt | | 4-Bolt | |
|--------------------------|------------------|----------------|-----------------------|----------------|--------------------|
| | | Part Number | Approx. Wt. (lbs.) | Part Number | Approx. Wt. lbs |
| 1-15/16 | 511 | 042100 | 13.75 | - | - |
| 2-3/16 | 513 | 042103 | 18.00 | - | - |
| (55,60) | 513M | 046323 | 18.00 | | |
| 2-7/16, 2-1/2 | 515 | 042106 | 22.75 | 042109 | 22.00 |
| (65) | 515M | 046324 | 22.00 | 046325 | 22.00 |
| 2-11/16 | 516 | 042111 | 30.5 | 042114 | 30 |
| 2-3/4 | | | | | |
| 2-15/16 | 517 | 042116 | 31.5 | 042119 | 32 |
| 3 | | | | | |
| 3-3/16 | 518 | 042121 | 38 | 042124 | 40 |
| 3-7/16 | 520 | 042126 | 51.5 | 042129 | 52 |
| 3-1/2 | | | | | |
| 3-15/16 | 522 | - | - | 042131 | 68 |
| 4 | | | | | |
| 4-3/16 | 524 | - | - | 042134 | 70.007 |
| (110) | 524M | - | - | 046326 | |
| 4-7/16 | 526 | - | - | 042137 | 108 |
| 4-1/2 | | | | | |
| 4-15/16 | 528 | - | - | 042140 | 143 |
| 5 | | | | | |
| 5-3/16 | 530 | - | - | 042143 | 120 |
| 5-7/16 | 532 | - | - | 042146 | 168 |
| 5-1/2 | | | | | |
| 5-15/16 | 534 | - | - | 042149 | 220 |
| 6 | | | | | |
| 6-7/16 | 536 | - | - | 042152 | 266 |
| 6-1/2 | | | | | |
| 6-15/16 | 538 | - | - | 042155 | 295 |
| 7 | | | | | |
| 7-1/2 | 544S | - | - | 042167 | 443 |
| 7-15/16 | 544 | - | - | 042158 | 443 |
| 8 | | | | | |
| 8-7/16, 8-1/2 | 48 | - | - | 042161 | 308 |
| 8-15/16, 9 | | | | | |
| 9-7/16 | 52 | - | - | 422555 | 440 |
| 9-1/2 | | | | | |
| 9-15/16 | 56 | - | - | 042164 | 549 |
| 10 | | | | | |
| 10-7/16 | 056L | - | - | 422571 | 620 |
| 10-1/2 | | | | | |

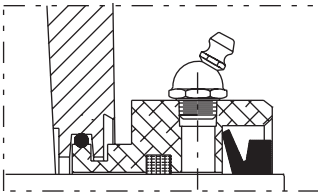
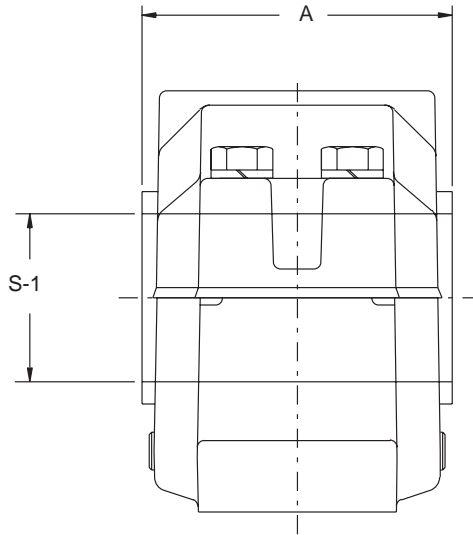
| | | | |
|---------------------------------|----------------------------|-----------------------------|-------------------------------------|
| FEATURES/BENEFITS PAGE B11-3 | HOW TO ORDER PAGE B11-9 | NOMENCLATURE PAGE B11-10 | SELECTION/DIMENSIONS PAGE B11-30 |
|---------------------------------|----------------------------|-----------------------------|-------------------------------------|

SELECTION/DIMENSIONS

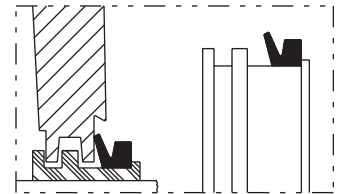


SAF-XT & SAFS Pillow Block Seals

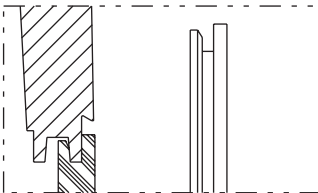
LENGTH THRU BORE W/SEALS



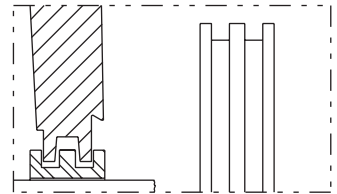
AUXILIARY TACONITE Seal
For dusty environments and low to moderate speeds



TRIPLE-TECT Seal
General purpose seal for wet or dirty environments



END COVER Seal
Allows use of open shaft housing as closed-end



LER SEAL
High speed seal for relatively clean environments

| | | | |
|---------------------------------|----------------------------|-----------------------------|-------------------------------------|
| FEATURES/BENEFITS PAGE B11-3 | HOW TO ORDER PAGE B11-9 | NOMENCLATURE PAGE B11-10 | SELECTION/DIMENSIONS PAGE B11-30 |
|---------------------------------|----------------------------|-----------------------------|-------------------------------------|

SELECTION/DIMENSIONS



SAF-XT & SAFS Pillow Block Seals

| 500 Seals - Inch | | | | | | |
|-----------------------|---------|------------|------------------|-------------------------|--------------------------|-----------|
| S-1 Shaft Size (Inch) | Housing | Seal Group | Part Numbers | | | |
| | | | TRIPLE-TECT (TT) | # Metal Labyrinth (LER) | Auxiliary Taconite (AUX) | End Cover |
| 1-15/16 | 511 | 12 | 043540 | 042512 | 041687 | 040702 |
| 2-3/16 | 513 | 14 | 043541 | 042513 | 041688 | 040703 |
| 2-7/16 | 515 | 20 | 043542 | 042514 | 042380 | 040704 |
| 2-1/2 | | | 043543 | 042515 | 040890 | 040704 |
| 2-11/16 | 516 | 24 | 043544 | 042516 | 042381 | 040705 |
| 2-3/4 | | | 043545 | 042517 | 040891 | 040705 |
| 2-15/16 | 517 | 28 | 043546 | 042518 | 042382 | 040706 |
| 3 | | | 043547 | 042519 | 040918 | 040706 |
| 3-3/16 | 518 | 34 | 043548 | 042520 | 040892 | 040707 |
| 3-7/16 | 520 | 46 | 043549 | 042521 | 042383 | 040708 |
| 3-1/2 | | | 043550 | 042522 | 040919 | 040708 |
| 3-15/16 | 522 | 50 | 043551 | 042523 | 042384 | 040709 |
| 4 | | | 043552 | 042524 | 040893 | 040709 |
| 4-3/16 | 524 | 52 | 043553 | 042525 | 044360 | 040710 |
| 4-7/16 | 526 | 54 | 043554 | 042526 | 042385 | 040711 |
| 4-1/2 | | | 043555 | 042527 | 042386 | 040711 |
| 4-15/16 | 528 | 56 | 043556 | 042528 | 042387 | 040712 |
| 5 | | | 043557 | 042529 | 040894 | 040712 |
| 5-3/16 | 530 | 58 | 043558 | 042530 | - | 040713 |
| 5-7/16 | 532 | 60 | 043559 | 042531 | 042388 | 040714 |
| 5-1/2 | | | 043574 | 042532 | 040895 | 040714 |
| 5-15/16 | 534 | 64 | 043560 | 042533 | 042389 | 040681 |
| 6 | | | 043561 | 042534 | 041646 | 040681 |
| 6-7/16 | 536 | 68 | 043562 | 042535 | 042390 | 040682 |
| 6-1/2 | | | 043563 | 042536 | 042391 | 040682 |
| 6-15/16 | 538 | 72 | 043564 | 042537 | 042392 | 040683 |
| 7 | | | 043565 | 042538 | 043109 | 040683 |
| 7-3/16 | 540 | 74 | 046421 | 043386 | 040690 | 040691 |
| 7-1/2 | 544S | 76 | 043567 | 042539 | 040896 | 040684 |
| 7-15/16 | 544 | 78 | 043566 | 042540 | 042393 ❖ | 040685 |
| 8 | | | 043568 | 042541* | 042394 ❖ | 040685 |
| 8-7/16 | 048 | 90 | 043569 | 042542* | 040897 ❖ | 042368 |
| 8-1/2 | | | 043570 | 042543* | 040898 ❖ | 042368 |
| 8-15/16 | | | 043571 | 042544* | 040899 ❖ | 042368 |
| 9 | | | 043572 | 042545* | 040995 ❖ | 042368 |
| 9-7/16 | 052 | 84 | 043538 | 042510* | 040900 ❖ | 422606 |
| 9-1/2 | | | 422545 | 042594* | 040901 ❖ | 422606 |
| 9-15/16 | 056 | 92 | 043575 | 042511* | - | 042369 |
| 10 | | | 043573 | 041082* | 042395 ❖ | 042369 |
| 10-7/16 | 056L | 94 | 047940 | 042036* | - | 042397 |
| 10-1/2 | | | 047941 | 422573* | 042396 ❖ | 042397 |

❖ Includes collar

NOTE: LER seals are made from Aluminum unless otherwise noted by the * symbol.

If an * appears by the part number, the LER seal is manufactured from Steel.

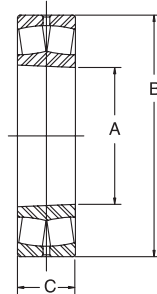
| | | | |
|---------------------------------|----------------------------|-----------------------------|-------------------------------------|
| FEATURES/BENEFITS PAGE B11-3 | HOW TO ORDER PAGE B11-9 | NOMENCLATURE PAGE B11-10 | SELECTION/DIMENSIONS PAGE B11-30 |
|---------------------------------|----------------------------|-----------------------------|-------------------------------------|



SELECTION/DIMENSIONS



SAF-XT & SAFS 22200K and 23000K Spherical Roller Bearings



| S-1 Shaft Size (Inch) | Housing | Bearing No. | Part No. | Approx. Wt. (lbs) | A Inch (mm) | B Inch (mm) | C Inch (mm) |
|-----------------------|---------|-------------|---------------|-------------------|---------------|---------------|--------------|
| 1-15/16 | 511 | 22211K | 422123 | 1.8 | 2.1654 (55) | 3.9370 (100) | .9843 (25) |
| 2-3/16 | 513 | 22213K | 422124 | 3.2 | 2.5591 (65) | 4.7244 (120) | 1.2205 (31) |
| 2-7/16 | 515 | 22215K | 422001 | 3.6 | 2.9528 (75) | 5.1181 (130) | 1.2205 (31) |
| 2-1/2 | | 22216K | 422003 | 4.4 | 3.1496 (80) | 5.5188 (140) | 1.2992 (33) |
| 2-11/16 | 517 | 22217K | 422005 | 5.5 | 3.3465 (85) | 5.9055 (150) | 1.4173 (36) |
| 2-3/4 | | 22218K | 422007 | 7.0 | 3.5433 (90) | 6.2992 (160) | 1.5748 (40) |
| 3-3/16 | 518 | 22218K | 422007 | 7.0 | 3.5433 (90) | 6.2992 (160) | 1.5748 (40) |
| 3-7/16 | 520 | 22220K | 422009 | 10.4 | 3.9370 (100) | 7.0866 (180) | 1.8110 (46) |
| 3-1/2 | | 22222K | 422011 | 14.9 | 4.3307 (110) | 7.8740 (200) | 2.0866 (53) |
| 3-15/16 | 522 | 22222K | 422011 | 14.9 | 4.3307 (110) | 7.8740 (200) | 2.0866 (53) |
| 4-3/16 | 524 | 22224K | 422013 | 18.7 | 4.7244 (120) | 8.4646 (215) | 2.2865 (58) |
| 4-7/16 | 526 | 22226K | 422015 | 23.4 | 5.1181 (130) | 9.0551 (230) | 2.5197 (64) |
| 4-1/2 | | 22228K | 422017 | 29.5 | 5.5118 (140) | 9.8425 (250) | 2.6772 (68) |
| 4-15/16 | 528 | 22228K | 422017 | 29.5 | 5.5118 (140) | 9.8425 (250) | 2.6772 (68) |
| 5-3/16 | 530 | 22230K | 422019 | 37.5 | 5.9055 (150) | 10.6299 (270) | 2.8740 (73) |
| 5-7/16 | 532 | 22232K | 422021 | 48.1 | 6.2992 (160) | 11.4173 (290) | 3.1496 (80) |
| 5-1/2 | | 22234K | 422023 | 58.0 | 6.6929 (170) | 12.2047 (310) | 3.3858 (86) |
| 5-15/16 | 534 | 22234K | 422023 | 58.0 | 6.6929 (170) | 12.2047 (310) | 3.3858 (86) |
| 6-7/16 | 536 | 22236K | 422025 | 60.8 | 7.0866 (180) | 12.5984 (320) | 3.3858 (86) |
| 6-1/2 | | 22238K | 422027 | 78.9 | 7.4803 (190) | 13.3858 (340) | 3.6220 (92) |
| 6-15/16 | 538 | 22238K | 422027 | 78.9 | 7.4803 (190) | 13.3858 (340) | 3.6220 (92) |
| 7-3/16 | 540 | 22240K | 422064 | 94.1 | 7.8740 (200) | 14.1732 (360) | 3.8583 (98) |
| 7-1/2 | 544S | 22244K | 422029 | 129.0 | 8.6614 (220) | 14.7480 (400) | 4.2520 (108) |
| 7-15/16 | 544 | | | | | | |
| 8-7/16 | 048 | 23048K | 422031 | 73.4 | 9.4488 (240) | 14.1732 (360) | 3.6220 (92) |
| 8-1/2 | | | | | | | |
| 8-15/16 | | | | | | | |
| 9-7/16 | 052 | 23052K | 422543 | 106.0 | 10.2362 (260) | 15.7480 (400) | 4.0945 (104) |
| 9-1/2 | | | | | | | |
| 9-15/16 | 056 | 23056K | 422030 | 114.0 | 11.0236 (280) | 16.5354 (430) | 4.1732 (106) |
| 10 | | | | | | | |
| 10-7/16 | | | | | | | |
| 10-1/2 | 056L | | | | | | |

FEATURES/BENEFITS
PAGE B11-3

HOW TO ORDER
PAGE B11-9

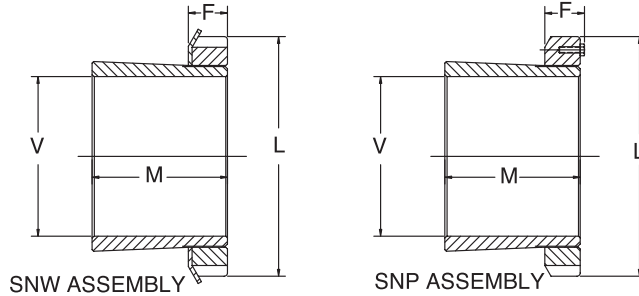
NOMENCLATURE
PAGE B11-10

SELECTION/DIMENSIONS
PAGE B11-30

SELECTION/DIMENSIONS



SAF-XT & SAFS Adaptor Assembly (SNW)



| V Shaft Dia. (In) | Housing | SNW/SNP Number | Part Number | Approx Wt. (Lbs) | L (in.) | F Max (in.) | M (in.) |
|-------------------|---------|----------------|---------------|------------------|---------|-------------|---------|
| 1-15/16 | 511 | SNW11-115 | 043600 | 0.8 | 2.97 | .58 | 1.85 |
| 2-3/16 | 513 | SNW13-203 | 043601 | 1.6 | 3.38 | .64 | 2.10 |
| 2-7/16 | 515 | SNW15-207 | 043602 | 2.6 | 3.88 | .69 | 2.29 |
| 2-1/2 | | SMW15-208 | 043603 | 2.3 | | | |
| 2-11/16 | 516 | SNW16-211 | 043604 | 2.6 | 4.16 | .69 | 2.37 |
| 2-3/4 | | SNW16-212 | 043605 | 2.6 | | | |
| 2-15/16 | 517 | SNW17-215 | 043606 | 3.0 | 4.41 | .72 | 2.47 |
| 3 | | SNW17-300 | 043607 | 2.5 | | | |
| 3-3/16 | 518 | SNW18-303 | 043608 | 3.1 | 4.66 | .80 | 2.63 |
| 3-7/16 | 520 | SNW20-307 | 043609 | 4.6 | 5.19 | .83 | 2.87 |
| 3-1/2 | | SNW20-308 | 043610 | 4.4 | | | |
| 3-15/16 | 522 | SNW22-315 | 043611 | 5.6 | 5.72 | .86 | 3.19 |
| 4 | | SNW22-400 | 043612 | 5.0 | | | |
| 4-3/16 | 524 | SNW24-403 | 043613 | 6.5 | 6.12 | .92 | 3.47 |
| 4-7/16 | 526 | SNW26-407 | 043614 | 9.2 | 6.75 | .95 | 3.76 |
| 4-1/2 | | SNW26-408 | 043615 | 8.6 | | | |
| 4-15/16 | 528 | SNW28-415 | 043616 | 10.0 | 7.09 | 1.02 | 3.97 |
| 5 | | SNW28-500 | 043617 | 9.0 | | | |
| 5-3/16 | 530 | SNW30-503 | 043618 | 12.7 | 7.69 | 1.08 | 4.22 |
| 5-7/16 | 532 | SNW32-507 | 043619 | 15.9 | 8.06 | 1.14 | 4.57 |
| 5-1/2 | | SNW32-508 | 043634 | 15.0 | | | |
| 5-15/16 | 534 | SNW34-515 | 043620 | 17.6 | 8.66 | 1.23 | 4.83 |
| 6 | | SNW34-600 | 043621 | 17.0 | | | |
| 6-7/16 | 536 | SNW36-607 | 043622 | 17.0 | 9.06 | 1.27 | 5.02 |
| 6-1/2 | | SNW36-608 | 043623 | 18.0 | | | |
| 6-15/16 | 538 | SNW38-615 | 043624 | 18.0 | 9.47 | 1.30 | 5.26 |
| 7 | | SNW38-700 | 043625 | 17.0 | | | |
| 7-3/16 | 540 | SNW40-703 | 046545 | 30.7 | 9.84 | 1.36 | 5.48 |
| 7-1/2 | 544S | SNW44-708 | 043627 | 30.2 | 11.00 | 1.42 | 5.90 |
| 7-15/16 | 544 | SNW44-715 | 043626 | 36.0 | | | |
| 8 | | SNW44-800 | 043628 | 34.7 | | | |
| 8-7/16 | 048 | SNP048-807 | 043629 | 38.0 | 11.44 | 1.73 | 5.44 |
| 8-1/2 | | SNP048-808 | 043630 | 30.0 | | | |
| 8-15/16 | | SNP048-815 | 043631 | 28.0 | | | |
| 9 | | SNP048-900 | 043632 | 22.0 | | | |
| 9-7/16 | 052 | SNP052-907 | 043585 | 41.1 | 12.19 | 1.80 | 6.02 |
| 9-1/2 | | SNP052-908 | 422538 | 40.0 | | | |
| 9-15/16 | 056 | SNP056-915 | 043586 | 43.7 | 13.00 | 1.89 | 6.19 |
| 10 | | SNP056-1000 | 043633 | 42.0 | | | |
| 10-7/16 | 056L | SNP056-1007 | 043580 | 30.0 | | | |
| 10-1/2 | | SNP056-1008 | 422567 | 28.0 | | | |

| | | | |
|---------------------------------|----------------------------|-----------------------------|-------------------------------------|
| FEATURES/BENEFITS PAGE B11-3 | HOW TO ORDER PAGE B11-9 | NOMENCLATURE PAGE B11-10 | SELECTION/DIMENSIONS PAGE B11-30 |
|---------------------------------|----------------------------|-----------------------------|-------------------------------------|



SELECTION/DIMENSIONS



Pillow Block SPLIT-SPHER™ Roller Bearings (USAF 500 SERIES)

DODGE SPLIT-SPHER Roller Bearings have the capacity to carry heavy radial loads and combined radial and thrust loads. The maximum recommended load which can be applied is limited by various components in the system such as bearing, housing, shaft, shaft attachment, speed and life requirements as listed in this catalog. DODGE spherical roller bearings have been applied successfully even when these limits have been exceeded under controlled operating conditions. Contact DODGE Application Engineering (864-284-5700) for applications which exceed the recommendations of this catalog.

L₁₀ Hours Life - The life which may be expected from at least 90% of a given group of bearings operating under identical conditions.

$$L_{10} \text{ Life, Hours} = \left(\frac{C}{P}\right)^{10/3} \times \left(\frac{16667}{\text{RPM}}\right)$$

Where:

C = Dynamic Capacity (Table 11 on page B11-78), lbs.
P = Equivalent Radial Load, lbs.

(See Equation 1 on page B11-78 for definition of P.)

GENERAL

Heavy Service - For heavy shock loads, frequent shock loads, or severe vibrations, increase the Equivalent Radial Load up to 50% (according to severity of conditions) to obtain a Modified Equivalent Radial Load. Consult DODGE Application Engineering for additional selection assistance.

Thrust load values shown in the table below are recommended as a guide for general applications that will give adequate L₁₀ life. Where substantial radial load is also present, it is advisable to calculate actual L₁₀ life to assure that the bearing meets the requirements.

| RPM | 20-200 | 201 - 2000 | Over 2000 |
|-------------------------|--------|------------|-----------|
| RECOMMENDED THRUST LOAD | C/20 | C/40 | C/60 |

The shaft tolerances recommended below are adequate for normal radial and radial/thrust load applications. Since the allowable load, especially at a low speed, is very large, the shaft should be checked to assure adequate shaft strength.

The magnitude and direction of both the thrust and radial load must be taken into account when selecting a housing. **When pillow blocks are utilized, heavy loads should be directed through the base. Where uplift loads are involved, see B11-29 for maximum values.** Spherical bearings require a radial load at least equal to the thrust load for proper operation. It is advisable to calculate actual L10 life to assure adequate conditions (normally at least 30,000 hours life). Where a load pulls the housing away from the mounting base, both the hold-down bolts and housing must be of adequate strength. Auxiliary load carrying devices such as shear bars are advisable for side or end loading of pillow blocks

SHAFT TOLERANCES

| Shaft Sizes, Inches | Tolerance, Inches |
|---------------------|-------------------|
| Up to 1-1/2" | + .000 - .002" |
| 1-9/16 to 2-1/2" | + .000 - .003" |
| 2-5/8 to 4" | + .000 - .004" |
| 4-7/16 to 6" | + .000 - .005" |

* Use the smaller of this value or the maximum allowable thrust load listed in Table 10.

NOTE: Polyamide cages may limit bearing operating temperature.

| | | | |
|---------------------------------|----------------------------|-----------------------------|-------------------------------------|
| FEATURES/BENEFITS PAGE B11-3 | HOW TO ORDER PAGE B11-9 | NOMENCLATURE PAGE B11-10 | SELECTION/DIMENSIONS PAGE B11-30 |
|---------------------------------|----------------------------|-----------------------------|-------------------------------------|

SELECTION/DIMENSIONS



Selecting Bearings - Supporting Radial Loads Only

1. Define the desired L_{10} Life in Hours.
2. Establish bearing radial load, F_R .
3. Establish RPM.
4. Calculate the equivalent radial load.
($P = F_R \times 1.1\# =$ Equivalent radial load)
(The DODGE program BEST ♦ can be used to find application loads.)

Using the easy selection Table 12 on page B11-79, under the RPM column find the equivalent load that equals or is slightly higher than the application radial load multiplied by a 1.1 factor for the desired life. The shaft size on the far left will be the minimum shaft size that you can use for your application. If the desired life is different than the values shown on the chart, use alternate Method A shown below.

- Example:
1. L_{10} Life = 30,000 Hours
 2. Radial load = 4,000 lbs.
 3. RPM = 950

At the intersection of the 950 RPM column and the 30,000 hours L_{10} life row, the equivalent radial load of 4445 lbs. exceeds the 4400 lbs. (4000 x 1.1) application equivalent radial load for shaft size 2-7/16" - 2-1/2". A SPLIT-SPHER bearing with shaft size of 2-7/16" - 2-1/2" may be used for this application.

- The application factor, 1.1, compensates for the gaps and relief area on either side of the gaps. At no time should F_R or P exceed 20% of the Dynamic Capacity C .
- ♦ The DODGE Bearing Evaluation and Selection Technique (BEST) is a menu driven computer program that calculates bearing loads, fatigue life and operating temperature for a two bearing shaft system based on user supplied input parameters. This interactive program is available at www.ptwizard.com under the Product Section area.

ALTERNATE METHOD A - SELECTING A BEARING FOR AN L_{10} LIFE VALUE NOT SHOWN IN THE EASY SELECTION CHART.

The L_{10} life equation can be rearranged so that the bearing dynamic capacity C is identified in terms of L_{10} , RPM and P .

$$C = \left(\frac{L_{10} \times \text{RPM}}{16667} \right) \times P$$

$$(P = F_R \times 1.1 = \text{Equivalent Radial Load})$$

Since the L_{10} , RPM, and F_R are known, solve for C . Select from the dynamic capacity column on Table 11 on page B11-78 the C value equal to or just greater than the C value just calculated. The bore size on the far left represents the minimum shaft size selection. Check that the application RPM does not exceed the MAX. RPM on Table 10. When selecting an L_{10} life of less than 30,000 hours, particular attention must be given to shaft deflection and proper lubricant selection.

| | | | |
|---------------------------------|----------------------------|-----------------------------|-------------------------------------|
| FEATURES/BENEFITS PAGE B11-3 | HOW TO ORDER PAGE B11-9 | NOMENCLATURE PAGE B11-10 | SELECTION/DIMENSIONS PAGE B11-30 |
|---------------------------------|----------------------------|-----------------------------|-------------------------------------|



SELECTION/DIMENSIONS



Selecting Bearings Supporting Combination Radial And Thrust Loads

When a bearing supports both a radial load and a thrust load, the loading on the two rows is shared unequally depending on the ratio of thrust to radial load. The use of the X (radial factor) and Y (thrust factor) from Table 11 on page B11-78 converts the applied thrust load and radial loads to an equivalent radial load having the same effect on the life of the bearing as a radial load of this magnitude.

Equation 1

The equivalent radial load $P = (XF_R + YF_A) \times 1.1$

Where:

P = Equivalent radial load, lbs

F_R = Radial load, lbs

F_A = Thrust (axial) load, lbs (** See Note below)

e = Thrust load or radial load factor (Table 11)

X = Radial load factor (Table 11)

Y = Thrust load factor (Table 11)

To find X and Y, calculate F_A/F_R and compare to e for the selected bore size. Determine X and Y from Table 10 depending on whether F_A/F_R is equal to or less than e ,

or F_A/F_R is greater than e . Substitute all known values into the equivalent radial load equation. P (equivalent radial load) can be used in the life formula to determine L_{10} , or it can be compared to the allowable equivalent radial load ratings for the speed and hours life desired in the easy selection chart.

SELECTING BEARINGS SUPPORTING ONLY THRUST LOADS

Spherical Roller Bearings generally are not recommended for pure thrust load applications. They will perform satisfactorily under very light pure thrust loads. Consult DODGE Application Engineering (864-281-2195 or FAX 864-281-2317).

AXIAL EXPANSION CAPABILITY

The axial expansion capability of SPLIT-SPHER Pillow Blocks is the same as the UNIFIED 500 pillow blocks. See Table 7 on page B11-29.

- The application factor, 1.1, compensates for the gaps and relief area on either side of the gaps. At no time should F_R or P exceed 20% of the Dynamic Capacity **C**

Table 11: SPLIT-SPHER Bearings Radial & Thrust Factor

| Shaft Size Inches | Replaces Bearing Series | e | FA/FR ≤ e | | FA/FR > e | | Max. Allow. Thrust Load FA Lbs. | Dynamic* Capacity (C) Pounds | Max. RPM (Grease) |
|-------------------|-------------------------|------|-----------|------|-----------|------|---------------------------------|------------------------------|-------------------|
| | | | X | Y | X | Y | | | |
| 2-3/16 | 22213K | 0.24 | 1 | 2.80 | 0.67 | 4.20 | 1200 | 35,000 | 2600 |
| 2-7/16 | 22215K | 0.24 | 1 | 2.80 | 0.67 | 4.20 | 1200 | 41,500 | 2350 |
| 2-15/16 - 3 | 22217K | 0.22 | 1 | 3.10 | 0.67 | 4.60 | 1700 | 45,000 | 2200 |
| 3-3/16 | 22218K | 0.22 | 1 | 2.90 | 0.67 | 4.60 | 1700 | 52,000 | 2100 |
| 3-7/16 | 22220K | 0.23 | 1 | 2.80 | 0.67 | 4.30 | 1700 | 71,000 | 1700 |
| 3-15/16 - 4 | 22222K | 0.24 | 1 | 2.80 | 0.67 | 4.20 | 3100 | 90,000 | 1450 |
| 4-7/16 | 22226K | 0.25 | 1 | 2.70 | 0.67 | 4.00 | 3100 | 132,000 | 1200 |
| 4-15/16 | 22228K | 0.26 | 1 | 2.60 | 0.67 | 3.90 | 3100 | 153,000 | 1100 |
| 5-7/16 | 22232K | 0.25 | 1 | 2.70 | 0.67 | 4.00 | 5000 | 204,000 | 1000 |
| 5-15/16 - 6 | 22234K | 0.26 | 1 | 2.60 | 0.67 | 3.90 | 5000 | 232,000 | 950 |

* At no time load on a SPLIT-SPHER bearing should exceed 20% of the Dynamic Capacity C.

| | | | |
|---------------------------------|----------------------------|-----------------------------|-------------------------------------|
| FEATURES/BENEFITS PAGE B11-3 | HOW TO ORDER PAGE B11-9 | NOMENCLATURE PAGE B11-10 | SELECTION/DIMENSIONS PAGE B11-30 |
|---------------------------------|----------------------------|-----------------------------|-------------------------------------|

SELECTION/DIMENSIONS



Table 12: Selection Table For SPLIT-SPHER Spherical Roller Bearings

| Shaft Size Inches | L10 Life Hrs. | Allowable Equivalent Radial Load Rating (Lbs.) At Various Revolutions Per Minute | | | | | | | | | | | | | |
|-------------------|---------------|--|--------------|--------------|--------------|--------------|--------------|--------------|--------------|--------------|-------------|-------------|-------------|-------------|-------------|
| | | 50 | 100 | 250 | 375 | 450 | 800 | 950 | 1100 | 1200 | 1300 | 1700 | 2100 | 2350 | 2600 |
| 2-3/16 | 10000 | 7000 | 7000 | 7000 | 6990 | 6620 | 5570 | 5290 | 5060 | 4930 | 4815 | 4440 | 4170 | 4030 | 3910 |
| | 30000 | 7000 | 7000 | 5680 | 5030 | 4760 | 4005 | 3805 | 3640 | 3545 | 3465 | 3195 | 3000 | 2900 | 2810 |
| | 50000 | 7000 | 6415 | 4870 | 4315 | 4085 | 3435 | 3265 | 3125 | 3045 | 2970 | 2740 | 2570 | 2485 | 2415 |
| | 100000 | 6415 | 5210 | 3955 | 3505 | 3315 | 2790 | 2650 | 2535 | 2470 | 2415 | 2225 | 2090 | 2020 | 1960 |
| 2-7/16 | 10000 | 8300 | 8300 | 8300 | 8175 | 7740 | 6510 | 6185 | 5920 | 5765 | 5630 | 5195 | 4875 | 4710 | |
| | 30000 | 8300 | 8300 | 6640 | 5880 | 5565 | 4685 | 4445 | 4255 | 4145 | 4050 | 3735 | 3505 | 3390 | |
| | 50000 | 8300 | 7495 | 5695 | 5045 | 4775 | 4015 | 3815 | 3650 | 3555 | 3475 | 3205 | 3005 | 2905 | |
| | 100000 | 7495 | 6090 | 4625 | 4095 | 3880 | 3265 | 3100 | 2965 | 2890 | 2820 | 2600 | 2445 | 2360 | |
| 2-15/16 3 | 10000 | 9000 | 9000 | 9000 | 8860 | 8390 | 7060 | 705 | 6415 | 6250 | 6105 | 5630 | 5285 | | |
| | 30000 | 9000 | 9000 | 7200 | 6375 | 6035 | 5080 | 4820 | 4615 | 4495 | 4390 | 4050 | 3800 | | |
| | 50000 | 9000 | 8130 | 6175 | 5470 | 5175 | 4355 | 4135 | 3960 | 3855 | 3765 | 3475 | 3260 | | |
| | 100000 | 8130 | 6605 | 5015 | 4440 | 4205 | 3540 | 3360 | 3215 | 3135 | 3060 | 2820 | 2650 | | |
| 3-3/16 | 10000 | 10400 | 10400 | 10400 | 10240 | 9695 | 8160 | 7750 | 7415 | 7225 | 7055 | 6505 | 6105 | | |
| | 30000 | 10400 | 10400 | 8320 | 7365 | 6975 | 5870 | 5575 | 5335 | 5195 | 5070 | 4680 | 4390 | | |
| | 50000 | 10400 | 9395 | 7135 | 6320 | 5980 | 5035 | 4780 | 4575 | 4455 | 4350 | 4015 | 3770 | | |
| | 100000 | 9395 | 7630 | 5795 | 5130 | 4860 | 4090 | 3885 | 3715 | 3620 | 3535 | 3260 | 3060 | | |
| 3-7/16 | 10000 | 14200 | 14200 | 14200 | 13985 | 13240 | 11140 | 10580 | 10125 | 9865 | 9630 | 8885 | | | |
| | 30000 | 14200 | 14200 | 11355 | 10055 | 9520 | 8010 | 7610 | 7280 | 7095 | 6925 | 6390 | | | |
| | 50000 | 14200 | 12825 | 9745 | 8630 | 8170 | 6875 | 6530 | 6245 | 6085 | 5940 | 5480 | | | |
| | 100000 | 12825 | 10420 | 7915 | 7010 | 6635 | 5585 | 5300 | 5075 | 4945 | 4825 | 4455 | | | |
| 3-15/16 4 | 10000 | 18000 | 18000 | 18000 | 17725 | 16780 | 14120 | 13410 | 12835 | 12505 | 12205 | | | | |
| | 30000 | 18000 | 18000 | 14395 | 12750 | 12070 | 10155 | 9645 | 9230 | 8995 | 8780 | | | | |
| | 50000 | 18000 | 16260 | 12350 | 10935 | 10355 | 8715 | 8275 | 7920 | 7715 | 7530 | | | | |
| | 100000 | 16260 | 13205 | 10030 | 8885 | 8410 | 7075 | 6720 | 6430 | 6265 | 6120 | | | | |
| 4-7/16 | 10000 | 26400 | 26400 | 26400 | 25995 | 24615 | 20710 | 19670 | 18825 | 18340 | | | | | |
| | 30000 | 26400 | 26400 | 21115 | 18695 | 17700 | 14895 | 14145 | 13540 | 13190 | | | | | |
| | 50000 | 26400 | 23845 | 18115 | 16040 | 15185 | 12780 | 12135 | 11615 | 11315 | | | | | |
| | 100000 | 23845 | 19370 | 14715 | 13030 | 12335 | 10380 | 9860 | 9435 | 9190 | | | | | |
| 4-15/16 | 10000 | 30600 | 30600 | 30600 | 30130 | 28530 | 24005 | 22800 | 21820 | | | | | | |
| | 30000 | 30600 | 30600 | 24475 | 21670 | 20520 | 17265 | 16400 | 15690 | | | | | | |
| | 50000 | 30600 | 27640 | 20995 | 18590 | 17605 | 14810 | 14070 | 13460 | | | | | | |
| | 100000 | 27640 | 22450 | 17055 | 15100 | 14300 | 12030 | 11425 | 10935 | | | | | | |
| 5-7/16 | 10000 | 40800 | 40800 | 40800 | 40175 | 38040 | 32010 | 30400 | | | | | | | |
| | 30000 | 40800 | 40800 | 32635 | 28895 | 27360 | 23020 | 21865 | | | | | | | |
| | 50000 | 40800 | 36855 | 27995 | 24790 | 23470 | 19750 | 18755 | | | | | | | |
| | 100000 | 36855 | 29935 | 22740 | 20135 | 19065 | 16040 | 15235 | | | | | | | |
| 5-15/16 6 | 10000 | 46400 | 46400 | 46400 | 45690 | 43260 | 36400 | 34570 | | | | | | | |
| | 30000 | 46400 | 46400 | 37115 | 32860 | 31115 | 26180 | 24865 | | | | | | | |
| | 50000 | 46400 | 41915 | 31840 | 28195 | 26690 | 22460 | 21330 | | | | | | | |
| | 100000 | 41915 | 34045 | 25860 | 22900 | 21680 | 18245 | 17325 | | | | | | | |

IMPERIAL - ISAF

UNIFIED SAF

International Bearings

Sleeve Bearing

SLEEVOIL

| | | | |
|---------------------------------|----------------------------|-----------------------------|-------------------------------------|
| FEATURES/BENEFITS PAGE B11-3 | HOW TO ORDER PAGE B11-9 | NOMENCLATURE PAGE B11-10 | SELECTION/DIMENSIONS PAGE B11-30 |
|---------------------------------|----------------------------|-----------------------------|-------------------------------------|



SELECTION/DIMENSIONS



IMPERIAL - ISAF

UNIFIED SAE

International Bearings

Sleeve Bearing

SLEEVOIL

Selecting Lubrication

DODGE SPLIT-SPHER Roller Bearings are lubricated by the user at installation. DODGE SPLIT-SPHER Roller Bearings can be run with either grease or oil lubrication.

Grease Lubrication:

In order to properly protect the bearing during installation, pack the bearing insert 100% full of grease immediately after properly mounting the bearing on the shaft. If the RPM of the application falls between 20% and 80% of maximum RPM (Table 11 on page B11-78), pack the lower half of the housing one-third to one-half full. If the RPM of the application is less than 20% of maximum RPM, pack bearing housing cavity 100% full. If the RPM exceeds 80% of maximum RPM, do not add grease in the lower half of the housing nor in the cap.

At each re-greasing cycle, for applications up to 80% of maximum RPM, slowly add grease until fresh grease is seen purging at the seals. Re-greasing should be done while running. Remote re-greasing lines should be added to avoid endangering personnel. If the RPM is greater than 80% of maximum RPM, add 4 strokes of a handgun at each re-greasing cycle for bores up to

2". For bores greater than 2", up to 5", add 8" strokes of a handgun at each re-greasing cycle. For bores greater than 5", up to 6", add 16 strokes of a handgun at each re-greasing cycle. For units running above 80% of maximum RPM, running temperature should be monitored. If a drastic change in running temperature is noted, DODGE recommends removing the used grease completely and recharging with fresh grease per the above instructions. For warning before catastrophic failure, see DODGE Temperature Monitor Package on page B11-58.

Select a grease with a viscosity at an operating temperature which will provide full film lubrication (see Table 12). Use a 50°F to 100°F increase in bearing temperature above ambient, depending on RPM and load. Use Table 13 on page B11-80 as a general guide for re-greasing the bearings. A small amount of grease at frequent intervals is preferable to a large amount of grease at infrequent intervals. For special applications involving high speeds, high loads, or very low speeds, consult DODGE Application Engineering (864-284-5700 or FAX 864-281-2317).

Table 13: Viscosity Of Oil In Grease

| DN Δ | Viscosity for Loads Up To 18% of Dyn. Cap. ♦ (SUS @ Oper. Temp.) | DN Δ | Viscosity for Loads Up To 18% of Dyn. Cap. ♦ (SUS. @ Oper. Temp.) |
|---------|---|---------|--|
| 100 | 3500 | 1400 | 625 |
| 200 | 3150 | 1600 | 525 |
| 300 | 2750 | 1800 | 450 |
| 400 | 2375 | 2000 | 400 |
| 500 | 2000 | 3000 | 300 |
| 600 | 1750 | 4000 | 200 |
| 700 | 1500 | 5000 | 150 |
| 800 | 1300 | 6000 | 130 |
| 900 | 1075 | 7000 | 110 |
| 1000 | 900 | 8000 | 100 |

Δ DN = Bore Diameter (inches) x RPM

♦ For loads above 18% of dynamic capacity, an EP grease with the viscosity selected from above is recommended.

**Table 14: Re-Greasing Intervals (Months*)
(Based on 12 Hours per Day, 150-F Max.)**

| Shaft Size (inch) | RPM | | | | | | | |
|----------------------|-----|-----|-----|-----|------|------|------|------|
| | 250 | 500 | 750 | 100 | 1250 | 1500 | 2000 | 2500 |
| 1-7/16 - 1-15/16 | 8 | 6 | 4 | 3 | 2 | 1 | .50 | .50 |
| 2-3/16 | 7 | 5 | 3 | 2 | 1 | 1 | .50 | .25 |
| 2-7/16 - 3 | 6 | 4 | 3 | 2 | 1 | .50 | .25 | .25 |
| 3-3/16 - 3-1/2 | 5 | 3 | 2 | 1 | .50 | .50 | .25 | |
| 3-15/16 - 4-7/16 | 4 | 3 | 2 | 1 | .50 | .25 | | |
| 4-15/16 - 5-1/2 | 3 | 2 | 1 | .50 | .25 | | | |
| 5-15/16 - 6 | 2 | 1 | 1 | .50 | | | | |

* For continuous operation, 24 hrs./day, reduce the re-greasing intervals by half.

| | | | |
|---------------------------------|----------------------------|-----------------------------|-------------------------------------|
| FEATURES/BENEFITS PAGE B11-3 | HOW TO ORDER PAGE B11-9 | NOMENCLATURE PAGE B11-10 | SELECTION/DIMENSIONS PAGE B11-30 |
|---------------------------------|----------------------------|-----------------------------|-------------------------------------|

SELECTION/DIMENSIONS



USAF 500 SPLIT-SPHER Pillow Block

| Shaft Dia S-1 | Complete Pillow Block Part No. | Housing W/ Stab Ring Part No. | Bearing Part No. | Dynamic Capacity (C), lbs. | Max RPM (Grease) | Split LER Seal |
|---------------|--------------------------------|-------------------------------|----------------------|----------------------------|------------------|-------------------|
| 2-3/16 | P2B13-SS-203 043958 | H2S-513-USAF 043998 | BRG13SS203 043393 | 32,500 | 2,600 | 14SS203 043501 |
| | P4B13-SS-203 046110 | H4S-513-USAF 039669 | BRG13SS203 043393 | 32,500 | 2,600 | 14SS203 043501 |
| 2-7/16 | P2B15-SS-207 043959 | H2S-515-USAF 044000 | BRG15SS207 043400 | 39,000 | 2,350 | 20SS207 043502 |
| | P4B15-SS-207 043964 | H4S-515-USAF 044003 | BRG15SS207 043400 | 39,900 | 2,350 | 20SS207 043502 |
| 2-11/16 | P2B16-SS-211 043960 | H2S-516-USAF 044198 | BRG16SS211 043401 | 40,500 | 2,300 | 24SS211 043504 |
| | P4B16-SS-211 043965 | H4S-516-USAF 044007 | BRG16SS211 043401 | 40,500 | 2,300 | 24SS211 043504 |
| 2-15/16 | P2B17-SS-215 043961 | H2S-517-USAF 044010 | BRG17SS215 043402 | 41,500 | 2,200 | 28SS215 043506 |
| | P4B17-SS-215 043966 | H4S-517-USAF 044010 | BRG17SS215 043402 | 41,500 | 2,200 | 28SS215 043506 |
| 3-3/16 | P2B18-SS-303 043962 | H2S-518-USAF 044199 | BRG18SS303 043403 | 47,500 | 2,100 | 34SS303 043508 |
| | P4B18-SS-303 043967 | H4S-518-USAF 044114 | BRG18SS303 043403 | 47,500 | 2,100 | 34SS303 043508 |
| 3-7/16 | P2B20-SS-307 043963 | H2S-520-USAF 044020 | BRG20SS307 043404 | 71,000 | 1,700 | 46SS307 043509 |
| | P4B20-SS-307 043968 | H4S-520-USAF 044023 | BRG20SS307 043404 | 71,000 | 1,700 | 46SS307 043509 |
| 3-15/16 | P4B22-SS-315 043969 | H4S-522-USAF 044025 | BRG22SS315 043405 | 71,000 | 1,450 | 50SS315 043511 |
| 4 | P4B22-SS-400 043970 | H4S-522-USAF 044025 | BRG22SS400 043406 | 71,000 | 1,450 | 50SS400 043512 |
| 4 3/16 | P4B24-SS-403 043971 | H4S-524-USAF 044202 | BRG24SS403 043421 | 102,000 | 1,300 | 52SS403 043513 |
| 4-7/16 | P4B26-SS-407 043972 | H4S-526-USAF 044031 | BRG26SS407 043407 | 132,000 | 1,200 | 54SS407 043514 |
| 4-15/16 | P4B28-SS-415 043974 | H4S-528-USAF 044034 | BRG28SS415 043408 | 153,000 | 1,100 | 56SS415 043516 |
| 5-7/16 | P4B32-SS-507 043976 | H4S-532-USAF 044040 | BRG32SS507 043410 | 204,000 | 1,000 | 60SS507 043519 |
| 5-15/16 | P4B34-SS-515 043977 | H4S-534-USAF 044043 | BRG34SS515 043411 | 232,000 | 950 | 64SS515 043520 |
| 6 | P4B34-SS-600 043978 | H4S-534-USAF 044043 | BRG34SS600 043412 | 232,000 | 950 | 64SS600 043521 |

IMPERIAL - ISAF

UNIFIED SAF

International Bearings

Sleeve Bearing

SLEEVOIL

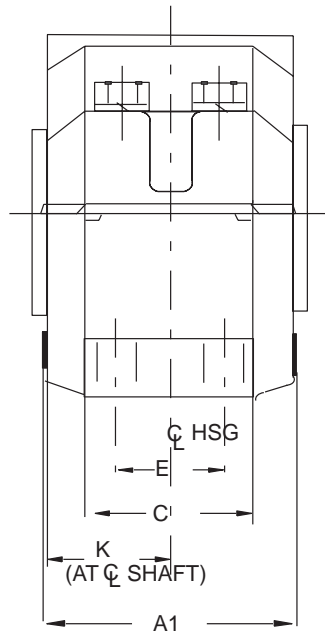
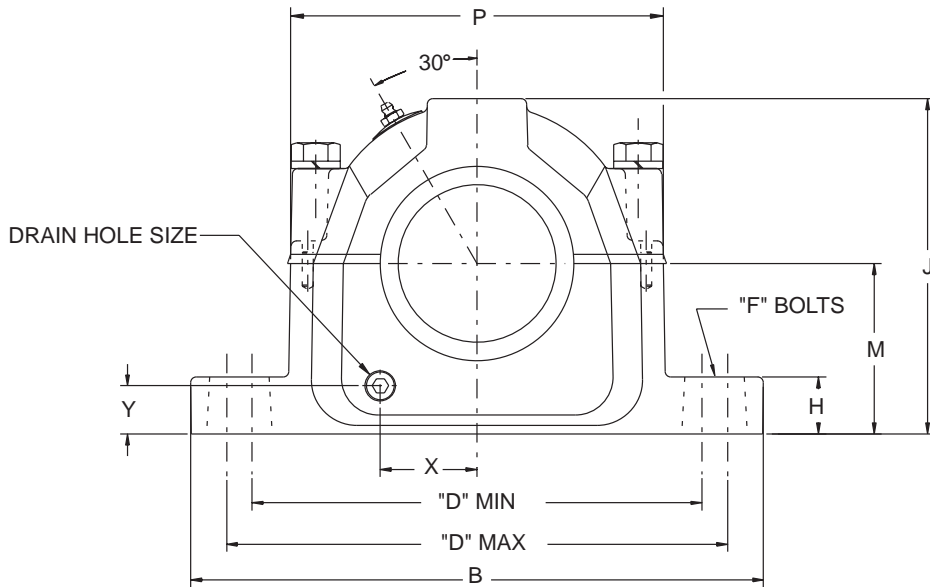
| | | | |
|---------------------------------|----------------------------|-----------------------------|-------------------------------------|
| FEATURES/BENEFITS PAGE B11-3 | HOW TO ORDER PAGE B11-9 | NOMENCLATURE PAGE B11-10 | SELECTION/DIMENSIONS PAGE B11-30 |
|---------------------------------|----------------------------|-----------------------------|-------------------------------------|



SELECTION/DIMENSIONS



USAF 500 SPLIT-SPHER Housing Dimensions



IMPERIAL - ISAF

UNIFIED SAF

International Bearings

Sleeve Bearing

SLEEVOIL

| | | | |
|---------------------------------|----------------------------|-----------------------------|-------------------------------------|
| FEATURES/BENEFITS PAGE B11-3 | HOW TO ORDER PAGE B11-9 | NOMENCLATURE PAGE B11-10 | SELECTION/DIMENSIONS PAGE B11-30 |
|---------------------------------|----------------------------|-----------------------------|-------------------------------------|

SELECTION/DIMENSIONS



USAF 500 SPLIT-SPHER Housing Dimensions

| S-1 Shaft Size | Housing | ▲ A1 | B | C | D | | | | E |
|----------------|---------|---------|----------|---------|--------|--------|----------|--------|-------|
| | | | | | 2-Bolt | | 4-Bolt | | |
| 2-3/16 | 513 | 4-41/64 | 11 | 3-1/8 | 8-1/8 | 9-1/2 | 8-1/8 | 9-1/2 | 1-7/8 |
| 2-7/16 | 515 | 5-13/64 | 11-1/8 | 3-1/8 | 8-5/8 | 9-5/8 | 8-5/8 | 9-5/8 | 1-7/8 |
| 2-15/16 | 517 | 5-25/64 | 12-19/32 | 3-1/2 | 9-7/8 | 11 | 9-7/8 | 11 | 2-1/8 |
| 3-3/16 | 518 | 6-5/32 | 13-5/8 | 3-7/8 | 10-1/4 | 11-3/4 | 10-3/8 | 11-5/8 | 2-1/8 |
| 3-7/16 | 520 | 6-25/32 | 15-23/64 | 4-11/32 | 11-5/8 | 13-1/8 | 11-5/8 | 13-1/8 | 2-3/8 |
| 3-15/16 4 | 522 | 7-5/64 | 16-1/2 | 4-3/4 | - | - | 12-19/32 | 14-1/2 | 2-3/4 |
| 4-7/16 | 526 | 8-17/64 | 18-3/8 | 5-1/8 | - | - | 14-1/2 | 16 | 3-1/4 |
| 4-15/16 | 528 | 8-49/64 | 19-11/16 | 5-7/8 | - | - | 15-5/8 | 17-3/8 | 3-3/8 |
| 5-7/16 | 532 | 9-59/64 | 21-21/32 | 6-1/4 | - | - | 17-3/8 | 19-1/4 | 3-3/4 |
| 5-15/16 6 | 534 | 9-23/32 | 24-3/4 | 6-3/4 | - | - | 19-3/8 | 21-5/8 | 4-1/4 |

| S-1 Shaft Size | Housing | F | | H | J | K | M | P |
|----------------|---------|--------|--------|---------|----------|---------|---------|----------|
| | | 2-Bolt | 4-Bolt | | | | | |
| 2-3/16 | 513 | 5/8 | 1/2 | 1-1/32 | 5-15/16 | 2-5/32 | 3 | 6-1/2 |
| 2-7/16 | 515 | 5/8 | 1/2 | 1-1/4 | 6-7/16 | 2-5/16 | 3-1/4 | 7-1/16 |
| 2-15/16 | 517 | 3/4 | 5/8 | 1-1/4 | 7-3/8 | 2-15/32 | 3-3/4 | 8-3/16 |
| 3-3/16 | 518 | 3/4 | 5/8 | 1-7/16 | 7-3/4 | 2-27/32 | 4 | 8-21/32 |
| 3-7/16 | 520 | 7/8 | 3/4 | 1-21/32 | 8-3/4 | 3-5/32 | 4-1/2 | 9-25/32 |
| 3-15/16 4 | 522 | - | 3/4 | 1-25/32 | 9-13/32 | 3-19/64 | 4-15/16 | 10-19/32 |
| 4-7/16 | 526 | - | 7/8 | 2-1/16 | 11-17/32 | 3-3/4 | 6 | 12-13/32 |
| 4-15/16 | 528 | - | 1 | 2-1/16 | 11-13/16 | 4 | 6 | 13-1/4 |
| 5-7/16 | 532 | - | 1 | 2-11/32 | 13-5/16 | 4-5/8 | 6-11/16 | 14-29/32 |
| 5-15/16 6 | 534 | - | 1 | 2-7/8 | 14-9/16 | 4-5/8 | 7-1/16 | 16-13/16 |

- ▲ Housing width with drain plugs
- ◆ Distance shaft should extend beyond housing centerline if pillow block is closed end style
- Non-expansion bearing offset from centerline.

Dowel hole locations for Precision Positioning, see Page B11-29 - B11-29

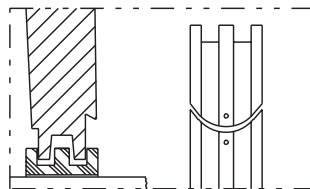
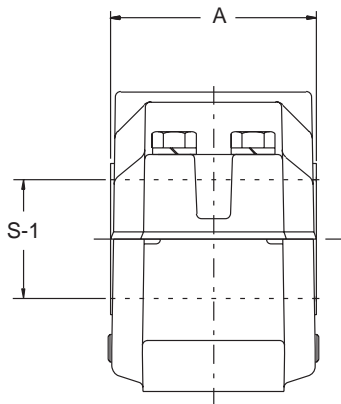
| | | | |
|---------------------------------|----------------------------|-----------------------------|-------------------------------------|
| FEATURES/BENEFITS PAGE B11-3 | HOW TO ORDER PAGE B11-9 | NOMENCLATURE PAGE B11-10 | SELECTION/DIMENSIONS PAGE B11-30 |
|---------------------------------|----------------------------|-----------------------------|-------------------------------------|

SELECTION/DIMENSIONS



USAF 500 SPLIT-SPHER Pillow Block Seals

LENGTH THRU BORE W/SEALS



SPLIT Seal

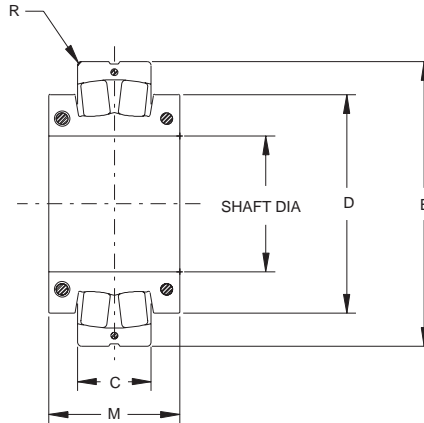
Permits easy installation in hard-to-reach applications without removing shaft.
Non-metallic split LER.

| S-1 Shaft Size Inch | Housing | Seal Group | Seal Part Number | A |
|---------------------|---------|------------|--------------------------------|---------|
| 2-3/16 | 513 | 14 | 043501 | 4-23/32 |
| 2-7/16 | 515 | 20 | 043502 | 4-15/32 |
| 2-11/16 | 516 | 24 | 043504 | 4-23/32 |
| 2-15/16 | 517 | 28 | 043506 | 4-53/64 |
| 3-3/16 | 518 | 34 | 043508 | 5-45/64 |
| 3-7/16 | 520 | 46 | 043509 | 6-3/16 |
| 3-15/16 4 | 522 | 50 | 043511 043512 | 6-19/32 |
| 4-3/16 | 524 | 52 | 043513 | 7-5/16 |
| 4-7/16 | 526 | 54 | 043514 | 7-1/2 |
| 4-15/16 | 528 | 56 | 043516 | 7-7/8 |
| 5-7/16 | 532 | 60 | 043519 | 9-13/64 |
| 5-15/16 6 | 534 | 64 | 043520 043521 | 9-1/8 |
| 6-7/16 | 538 | 68 | 043522 | 9-11/16 |

SELECTION/DIMENSIONS



USAF 22200 SPLIT-SPHER Roller Bearings



| Shaft Dia. Inch | Housing | Bearing Descriptive No. | Bearing Part No. | Approx. Weight (Lbs) | B Inch (mm) | C Inch (mm) | M Inch (mm) | D Inch | R Inch |
|-----------------|---------|-------------------------|------------------|----------------------|---------------|-------------|--------------|--------|--------|
| 2-3/16 | 513 | 22213SS203 | 043393 | 5.07 | 4.7244 (120) | 1.2205 (31) | 2.1654 (55) | 3.3464 | 0.06 |
| 2-7/16 | 515 | 22215SS207 | 043400 | 5.73 | 5.1181 (130) | 1.2205 (31) | 2.3622 (60) | 3.4646 | 0.06 |
| 2-15/16 | 517 | 22217SS215 | 043402 | 9.04 | 5.9055 (150) | 1.4173 (36) | 2.6772 (68) | 4.0157 | 0.08 |
| 3-3/16 | 518 | 22218SS303 | 043403 | 10.1 | 6.2992 (160) | 1.5748 (40) | 2.7559 (70) | 4.4094 | 0.08 |
| 3-7/16 | 520 | 22220SS307 | 043404 | 14.2 | 7.0866 (180) | 1.811 (46) | 2.9921 (76) | 4.6457 | 0.08 |
| 3-15/16 | 522 | 22222SS315 | 043405 | 22.0 | 7.874 (200) | 2.0866 (53) | 3.622 (92) | 5.4331 | 0.08 |
| 4 | | 22222SS400 | 043406 | 22.0 | | | | | |
| 4-7/16 | 526 | 22226SS407 | 043407 | 32.2 | 9.0551 (230) | 2.5197 (64) | 4.0945 (104) | 5.9842 | 0.12 |
| 4-15/16 | 528 | 22228SS415 | 043408 | 43.2 | 9.8425 (250) | 2.6772 (68) | 4.3307 (110) | 6.6929 | 0.12 |
| 5-7/16 | 532 | 22232SS507 | 043410 | 69.4 | 11.4173 (290) | 3.1496 (80) | 4.8819 (124) | 7.4016 | 0.12 |
| 5-15/16 | 534 | 22234SS515 | 043411 | 82.2 | 12.2047 (310) | 3.3858 (86) | 5.0394 (128) | 7.9527 | 0.12 |
| 6 | | 22234SS600 | 043412 | 82.2 | | | | | |

| | | | |
|---------------------------------|----------------------------|-----------------------------|-------------------------------------|
| FEATURES/BENEFITS PAGE B11-3 | HOW TO ORDER PAGE B11-9 | NOMENCLATURE PAGE B11-10 | SELECTION/DIMENSIONS PAGE B11-30 |
|---------------------------------|----------------------------|-----------------------------|-------------------------------------|



SELECTION/DIMENSIONS



USDAF Pillow Block - Spherical Roller Bearings

Table 15: Radial & Thrust Factors For USDAF Spherical Bearings

23000K SERIES

| Shaft Size (in.) | Bearing Series | e | FA/FR ≤ e | | FA/FR > e | | Adapter Maximum Allowable Thrust Load, lbs. * | Dynamic Capacity (C), lbs. | Max. RPM | |
|----------------------------|----------------|------|-----------|------|-----------|------|---|----------------------------|----------|-----|
| | | | X | Y | X | Y | | | Grease | Oil |
| 10-15/16,11 | 23060K | 0.25 | 1 | 2.70 | 0.67 | 4 | 23,875 | 440,000 | 630 | 800 |
| 11-7/16,11-1/2,11-15/16,12 | 23064K | 0.25 | 1 | 2.70 | 0.67 | 4.10 | 26,114 | 455,000 | 600 | 750 |
| 12-7/16,12-1/2 | 23068K | 0.25 | 1 | 2.70 | 0.67 | 4 | 30,498 | 530,000 | 560 | 700 |
| 12-15/16,13,13-7/16,13-1/2 | 23072K | 0.25 | 1 | 2.70 | 0.67 | 4.10 | 32,535 | 550,000 | 530 | 670 |
| 13-15/16,14 | 23076K | 0.24 | 1 | 2.80 | 0.67 | 4.20 | 34,598 | 570,000 | 500 | 630 |
| 15 | 23080K | 0.24 | 1 | 2.80 | 0.67 | 4.10 | 39,926 | 680,000 | 450 | 560 |
| 15-3/4 | 23084K | 0.24 | 1 | 2.80 | 0.67 | 4.20 | 42,489 | 710,000 | 450 | 560 |

23100K SERIES

| | | | | | | | | | | |
|----------------|--------|------|---|------|------|------|--------|---------|-----|-----|
| 9-7/16, 9-1/2 | 23152K | 0.33 | 1 | 2 | 0.67 | 3 | 19,985 | 490,000 | 670 | 850 |
| 10-7/16,10-1/2 | 23156K | 0.32 | 1 | 2.10 | 0.67 | 3.20 | 27,571 | 530,000 | 630 | 800 |
| 10-15/16,11 | 23160K | 0.33 | 1 | 2.10 | 0.67 | 3.10 | 32,373 | 600,000 | 600 | 750 |
| 11-15/16,12 | 23164K | 0.34 | 1 | 2 | 0.67 | 2.90 | 37,984 | 720,000 | 530 | 670 |
| 12-7/16,12-1/2 | 23168K | 0.34 | 1 | 2 | 0.67 | 2.90 | 43,568 | 830,000 | 500 | 630 |
| 13-7/16,13-1/2 | 23172K | 0.33 | 1 | 2.10 | 0.67 | 3.10 | 45,617 | 850,000 | 480 | 600 |
| 13-15/16,14 | 23176K | 0.32 | 1 | 2.10 | 0.67 | 3.20 | 49,719 | 915,000 | 450 | 560 |

23200K SERIES

| | | | | | | | | | | |
|----------------|--------|------|---|------|------|------|--------|-----------|-----|-----|
| 8-15/16,9 | 23248K | 0.37 | 1 | 1.80 | 0.67 | 2.70 | 25,891 | 560,000 | 700 | 900 |
| 9-7/16,9-1/2 | 23252K | 0.37 | 1 | 1.80 | 0.67 | 2.70 | 30,511 | 655,000 | 630 | 800 |
| 10-7/16,10-1/2 | 23256K | 0.36 | 1 | 1.90 | 0.67 | 2.80 | 33,236 | 680,000 | 600 | 750 |
| 10-7/16,11 | 23260K | 0.37 | 1 | 1.80 | 0.67 | 2.70 | 38,847 | 780,000 | 560 | 700 |
| 11-15/16,12 | 23264K | 0.37 | 1 | 1.80 | 0.67 | 2.70 | 44,890 | 865,000 | 530 | 670 |
| 12-7/16,12-1/2 | 23268K | 0.38 | 1 | 1.80 | 0.67 | 2.70 | 51,365 | 1,000,000 | 480 | 600 |

If the thrust load exceeds adapter maximum allowable thrust load, auxiliary methods of carrying thrust are required.

IMPERIAL - ISAF

UNIFIED SAF

International Bearings

Sleeve Bearing

SLEEVOIL

| | | | |
|---------------------------------|----------------------------|-----------------------------|-------------------------------------|
| FEATURES/BENEFITS PAGE B11-3 | HOW TO ORDER PAGE B11-9 | NOMENCLATURE PAGE B11-10 | SELECTION/DIMENSIONS PAGE B11-30 |
|---------------------------------|----------------------------|-----------------------------|-------------------------------------|

SELECTION/DIMENSIONS



USDAF Pillow Block - Spherical Roller Bearings

Table 16: Selection Table For USDAF Spherical Bearings

| Shaft Size | Bearing Series | L10 Life Hours | Allowable Equivalent Radial Load Rating (Lbs.) at Various Rpm. * | | | | | | | | | | | | |
|---------------------------------|----------------|----------------|--|--------|--------|--------|--------|--------|--------|--------|--------|--------|-------|-------|-------|
| | | | 50 | 100 | 150 | 200 | 250 | 300 | 400 | 500 | 550 | 600 | 650 | 700 | 750 |
| 2300K SERIES | | | | | | | | | | | | | | | |
| 10-15/16, 11 | 23060K | 50,000 | 97865 | 79491 | 70387 | 64567 | 60386 | 57172 | 52445 | 49049 | 47666 | 46438 | 45336 | 44339 | 43431 |
| | | 80,000 | 84995 | 69037 | 61130 | 56076 | 52445 | 49653 | 45548 | 42598 | 41397 | 40331 | 39374 | 38508 | 37719 |
| | | 100,000 | 79491 | 64567 | 57172 | 52445 | 49049 | 46438 | 42598 | 39840 | 38717 | 37719 | 36824 | 36015 | 35277 |
| 11-7/16, 11-1/2 11-15/16, 12 | 23064K | 50,000 | 101201 | 82201 | 72786 | 66768 | 62445 | 59121 | 54233 | 50721 | 49291 | 48021 | 46882 | 45851 | 44912 |
| | | 80,000 | 87892 | 71391 | 63214 | 57987 | 54233 | 51346 | 47100 | 44050 | 42809 | 41706 | 40716 | 39821 | 39005 |
| | | 100,000 | 82201 | 66768 | 59121 | 54233 | 50721 | 46021 | 44050 | 41198 | 40037 | 39005 | 38080 | 37243 | 36480 |
| 12-7/16, 12-1/2 | 23068K | 50,000 | 117883 | 95751 | 84784 | 77774 | 72738 | 68866 | 63172 | 59081 | 57416 | 55937 | 54609 | 53409 | |
| | | 80,000 | 102380 | 83158 | 73634 | 67546 | 63172 | 59809 | 54864 | 51312 | 49665 | 48580 | 47428 | 46385 | |
| | | 100,000 | 95751 | 77774 | 68866 | 63172 | 59081 | 55937 | 51312 | 47989 | 46636 | 45435 | 44357 | 43381 | |
| 12-15/16, 13 13-7/16, 13-1/2 | 23072K | 50,000 | 122331 | 99364 | 87984 | 80709 | 75483 | 71465 | 65556 | 61311 | 59583 | 58048 | 56670 | | |
| | | 80,000 | 106243 | 86296 | 76413 | 70094 | 65556 | 62066 | 56934 | 53248 | 51747 | 50414 | 49217 | | |
| | | 100,000 | 102977 | 83643 | 71465 | 65556 | 61311 | 56048 | 53248 | 49800 | 48396 | 47149 | 46031 | | |
| 13-15/16, 14 | 23076K | 50,000 | 126780 | 102977 | 91183 | 83643 | 78227 | 74064 | 67940 | 63540 | 61749 | 60158 | 58864 | | |
| | | 80,000 | 111017 | 89435 | 79191 | 72643 | 67940 | 64323 | 59005 | 55184 | 53629 | 52247 | | | |
| | | 100,000 | 102977 | 83643 | 74064 | 67940 | 63540 | 60158 | 55184 | 51611 | 50156 | 48864 | | | |
| 15 | 23080K | 50,000 | 151246 | 122850 | 108780 | 99785 | 93324 | 88357 | 81051 | 75803 | 73666 | | | | |
| | | 80,000 | 131355 | 106694 | 94474 | 86662 | 81051 | 76737 | 70392 | 65834 | 63978 | | | | |
| | | 100,000 | 122850 | 99785 | 88357 | 81051 | 75803 | 71768 | 65834 | 61571 | 59835 | | | | |
| 15-3/4 | 23084K | 50,000 | 157919 | 128270 | 113579 | 104187 | 97441 | 92255 | 84627 | 79147 | 76916 | | | | |
| | | 80,000 | 137151 | 111401 | 98642 | 90486 | 84627 | 80122 | 73497 | 66736 | 66601 | | | | |
| | | 100,000 | 128270 | 104187 | 92255 | 84627 | 79147 | 74934 | 68738 | 64287 | 62475 | | | | |
| 2310K SERIES | | | | | | | | | | | | | | | |
| 9-7/16, 9-1/2 | 23152K | 50,000 | 108992 | 88529 | 78390 | 71908 | 67252 | 63672 | 58407 | 54625 | 53086 | 51718 | 50491 | 49381 | 48369 |
| | | 80,000 | 94658 | 76886 | 68080 | 62451 | 58407 | 55299 | 50726 | 47442 | 46104 | 44916 | 43851 | 42886 | 42008 |
| | | 100,000 | 88529 | 71908 | 63672 | 58407 | 54625 | 51718 | 47442 | 44370 | 43119 | 42008 | 41011 | 40110 | 39288 |
| 10-7/16, 10-1/2 | 23156K | 50,000 | 117883 | 95751 | 84784 | 77774 | 72738 | 68866 | 63172 | 59081 | 57416 | 55937 | 54609 | 53409 | 52315 |
| | | 80,000 | 102380 | 83158 | 73634 | 67546 | 63172 | 59809 | 54864 | 51312 | 49865 | 48580 | 47426 | 46385 | 45435 |
| | | 100,000 | 95751 | 77774 | 68866 | 63172 | 59061 | 55937 | 51312 | 47989 | 46636 | 45435 | 44357 | 43381 | 42493 |
| 10-15/16, 11 | 23160K | 50,000 | 133452 | 108397 | 95982 | 88046 | 82345 | 77962 | 71515 | 66885 | 64999 | 63325 | 61822 | 60463 | 59224 |
| | | 80,000 | 115902 | 94142 | 83359 | 76467 | 71515 | 67709 | 62110 | 58089 | 56451 | 54997 | 53692 | 52511 | 51436 |
| | | 100,000 | 108397 | 88046 | 77962 | 71515 | 66885 | 63325 | 58089 | 54327 | 52796 | 51436 | 50215 | 49111 | 46105 |
| 11-15/16, 12 | 23164K | 50,000 | 160143 | 130076 | 115178 | 105655 | 98814 | 93554 | 85818 | 80262 | 77999 | 75989 | 74186 | | |
| | | 60,000 | 139082 | 112970 | 100031 | 91760 | 85818 | 81251 | 74532 | 69706 | 67741 | 65996 | 64430 | | |
| | | 100,000 | 130076 | 105655 | 93554 | 85818 | 80262 | 75989 | 69706 | 65193 | 63355 | 61723 | 60258 | | |
| 12-7/16, 12-1/2 | 23168K | 50,000 | 184609 | 149949 | 132775 | 121797 | 113910 | 107847 | 98930 | 92524 | 89916 | 87599 | | | |
| | | 80,000 | 160331 | 130229 | 115314 | 105779 | 98930 | 93664 | 85919 | 80356 | 78091 | 76079 | | | |
| | | 100,000 | 149949 | 121797 | 107847 | 96930 | 92524 | 87599 | 80356 | 75153 | 73034 | 71152 | | | |
| 13-7/16, 13-1/2 | 23172K | 50,000 | 189058 | 153562 | 135975 | 124732 | 116655 | 110446 | 101313 | 94753 | 92062 | 89710 | | | |
| | | 80,000 | 164194 | 133367 | 118092 | 108326 | 101313 | 95921 | 87990 | 82292 | 79972 | 77912 | | | |
| | | 100,000 | 153562 | 124732 | 110446 | 101313 | 94753 | 87910 | 82292 | 76964 | 74794 | 72667 | | | |
| 13-15/16, 14 | 23176K | 50,000 | 203515 | 165306 | 146373 | 134270 | 125576 | 118892 | 109061 | 101999 | 99124 | | | | |
| | | 80,000 | 176750 | 143566 | 127123 | 116612 | 109061 | 103256 | 94718 | 88585 | 86086 | | | | |
| | | 100,000 | 165306 | 134270 | 118892 | 109061 | 101999 | 96570 | 88585 | 82649 | 80514 | | | | |
| 2320K SERIES | | | | | | | | | | | | | | | |
| 8-15/16, 9 | 23248K | 50,000 | 124562 | 101176 | 89588 | 82180 | 76859 | 72768 | 66751 | 62429 | 60669 | 59106 | 57704 | 56435 | 55279 |
| | | 80,000 | 108181 | 87870 | 77806 | 71373 | 66751 | 63198 | 57973 | 54219 | 52691 | 51333 | 50115 | 49013 | 48009 |
| | | 100,000 | 101176 | 82180 | 72768 | 66751 | 62429 | 59106 | 54219 | 50708 | 49279 | 48009 | 46870 | 45839 | 44900 |
| 9-7/16, 9-1/2 | 23252K | 50,000 | 145686 | 118333 | 104780 | 96117 | 89893 | 85108 | 78071 | 73016 | 70958 | 69129 | 67469 | 66005 | 64653 |
| | | 60,000 | 126526 | 102771 | 91001 | 83476 | 78071 | 73915 | 67804 | 63413 | 61626 | 60036 | 58613 | 57325 | 56150 |
| | | 100,000 | 116333 | 96117 | 85108 | 78071 | 73016 | 69129 | 63413 | 59307 | 57635 | 56150 | 54816 | 53613 | 52515 |
| 10-7/16, 10-1/2 | 23256K | 50,000 | 151246 | 122850 | 106780 | 99765 | 93324 | 86357 | 81051 | 75603 | 73666 | 71768 | 70065 | 68524 | 67121 |
| | | 80,000 | 131355 | 106694 | 94474 | 86662 | 81051 | 76737 | 70392 | 65834 | 63978 | 62330 | 60651 | 59513 | 58294 |
| | | 100,000 | 122850 | 99785 | 86637 | 81051 | 75803 | 71768 | 65634 | 61571 | 59635 | 58294 | 56910 | 55659 | 54519 |
| 10-15/16, 11 | 23260K | 50,000 | 173488 | 140916 | 124777 | 114459 | 107048 | 101350 | 92970 | 86950 | 84499 | 82322 | 80369 | 78602 | |
| | | 60,000 | 150672 | 122384 | 106367 | 99407 | 92970 | 88021 | 80743 | 75515 | 73366 | 71496 | 69799 | 68265 | |
| | | 100,000 | 140916 | 114459 | 101350 | 92970 | 86950 | 82322 | 75515 | 70625 | 68635 | 66666 | 65280 | 63844 | |
| 11-15/16, 12 | 23264K | 50,000 | 192394 | 156272 | 138374 | 126933 | 118714 | 112395 | 103101 | 96425 | 93707 | 91293 | 89127 | | |
| | | 80,000 | 167092 | 135721 | 120176 | 110240 | 103101 | 97614 | 89542 | 83744 | 81364 | 79267 | 77406 | | |
| | | 100,000 | 156272 | 126933 | 112395 | 103101 | 96425 | 91293 | 83744 | 78322 | 76114 | 74153 | 72393 | | |
| 12-7/16 12-1/2 | 23266K | 50,000 | 224241 | 180662 | 159970 | 146743 | 137241 | 129936 | 119192 | 111474 | 108332 | 105541 | | | |
| | | 80,000 | 193170 | 158903 | 138932 | 127445 | 119192 | 112848 | 103517 | 96614 | 94085 | 91681 | | | |
| | | 100,000 | 180662 | 146743 | 129936 | 119192 | 111474 | 105541 | 96614 | 90545 | 87993 | 85726 | | | |

* Oil lubrication to the right of the heavy line.

| | | | |
|---------------------------------|----------------------------|-----------------------------|-------------------------------------|
| FEATURES/BENEFITS PAGE B11-3 | HOW TO ORDER PAGE B11-9 | NOMENCLATURE PAGE B11-10 | SELECTION/DIMENSIONS PAGE B11-30 |
|---------------------------------|----------------------------|-----------------------------|-------------------------------------|



SELECTION/DIMENSIONS



USDAF Adapter Mount Pillow Block

| Shaft Dia | Housing | Open Housing Part No.** | Closed Housing Part No.** | Bearing Part No. | Dynamic Capacity (C), lbs. | Max RPM LER (Grease) | SNP Part No. | TRIPLE-TECT Part No. | # LER Part No. | Aux Part No. |
|-----------|---------|--------------------------|---------------------------|------------------|----------------------------|----------------------|---------------------------|----------------------|----------------------|----------------------|
| 8-15/16 | 3248 | H4S-USDAF-3248 037464 | CH4S-USDAF-3248 037465 | 23248K 422511 | 560,000 | 700 | H3248-SNP-815 047628 | 90TT815 042544 | 90LER815 *042544 | 90AUX815 040899 |
| | 9 | H4S-USDAF-3248 037464 | CH4S-USDAF-3248 037465 | 23248K 422511 | 560,000 | 700 | H3248-SNP-900 047629 | 90TT900 043572 | 90LER900 *042545 | 90AUX900 040995 |
| 9-7/16 | 3152 | H4S-USDAF-3152 037461 | CH4S-USDAF-3152 037462 | 23152K 421294 | 490,000 | 670 | H3152-SNP-907 047630 | 84TT908 043538 | 84LER907 *042510 | 84AUX907 040900 |
| | 3252 | H4S-USDAF-3252 037442 | CH4S-USDAF-3252 037443 | 23252K 421290 | 665,000 | 630 | H3252-SNP-907 047646 | 84TT907 043538 | 84LER907 *042510 | 84AUX907 040900 |
| 9-1/2 | 3152 | H4S-USDAF-3152 037461 | CH4S-USDAF-3152 037462 | 23152K 421294 | 490,000 | 670 | H3152-SNP-908 047631 | 84TT908 422545 | 84LER908 *422594 | 84AUX908 040901 |
| | 3252 | H4S-USDAF-3252 037442 | CH4S-USDAF-3252 037443 | 23252K 421290 | 655,000 | 630 | H3252-SNP-908 047647 | 84TT908 422545 | 84LER908 *422594 | 84AUX908 040901 |
| 10-7/16 | 3156 | H4S-USDAF-3156 037432 | CH4S-USDAF-3156 037433 | 23156K 421285 | 530,000 | 630 | H3156SNP-1007 045431 | 94TT1007 047940 | 94LER1007 *042036 | 94AUX1007 045778 |
| | 3256 | H4S-USDAF-3256 037444 | CH4S-USDAF-3256 037446 | 23256K 421291 | 680,000 | 600 | H325-SNP-1007 047648 | 94TT1007 047940 | 94LER1007 *042036 | 94AUX1007 045778 |
| 10-1/2 | 3156 | H4S-USDAF-3156 037432 | CH4S-USDAF-3156 037433 | 23156K 421285 | 530,000 | 630 | H3156-SNP-1008 047637 | 94TT1008 047941 | 94LER1008 *422573 | 94AUX1008 042396 |
| | 3256 | H4S-USDAF-3256 037444 | CH4S-USDAF-3256 037446 | 23256K 421291 | 680,000 | 600 | H3256-SNP-1008 047649 | 94TT1008 047941 | 94LER1008 *422573 | 94AUX1008 042396 |
| 10-15/16 | 060 | H4S-USDAF-060 422580 | CH4S-USDAF-060 037426 | 23060K 422582 | 440,000 | 630 | H3060-SNP-1015 043581 | 96TT1015 047942 | 96LER1015 *042037 | 96AUX1015 045781 |
| | 3160 | H4S-USDAF-3160 037434 | CH4S-USDAF-3160 037435 | 23160K 421286 | 600,000 | 600 | H3160-SNP-1015 047638 | 96TT1015 047942 | 96LER1015 *042037 | 96AUX1015 045781 |
| | 3260 | H4S-USDAF-3260 037447 | CH4S-USDAF-3260 037448 | 23260K 421292 | 780,000 | 560 | H3260-SNP-1015 047678 | 96TT1015 047942 | 96LER1015 *042037 | 96AUX1015 045781 |
| 11 | 060 | H4S-USDAF-060 422580 | CH4S-USDAF-060 037426 | 23060K 422582 | 440,000 | 630 | H3060-SNP-1100 422576 | 96TT1100 047943 | 96LER1100 *422588 | 96AUX1100 044440 |
| | 3160 | H4S-USDAF-3160 037434 | CH4S-USDAF-3160 037435 | 23160K 421286 | 600,000 | 600 | H3160-SNP-1100 045464 | 96TT1100 047943 | 96LER1100 *422588 | 96AUX1100 044440 |
| | 3260 | H4S-USDAF-3260 037447 | CH4S-USDAF-3260 037448 | 23260K 421292 | 780,000 | 560 | H3260-SNP-1100 047679 | 96TT1100 047943 | 96LER1100 *422588 | 96AUX1100 044440 |
| 11-7/16 | 064 | H4S-USDAF-064 422502 | CH4S-USDAF-064 037427 | 23064K 422531 | 455,000 | 600 | H3064-SNP-1107 043582 | 98TT1107 047944 | 98LER1107 *042038 | 98AUX1107 045784 |
| 11-1/2 | 064 | H4S-USDAF-064 422502 | CH4S-USDAF-064 037427 | 23064K 422531 | 455,000 | 600 | H3064-SNP-1108 043583 | 98TT1108 047945 | 98LER1108 *042039 | 98AUX1108 045787 |
| 11-15/16 | 064L | H4S-USDAF-064L 422529 | CH4S-USDAF-064L 037428 | 23064K 422531 | 455,000 | 600 | H3064L-SNP-1115 043584 | 100TT1115 047946 | 100ER1115 *042040 | 100AUX1115 045790 |
| | 3164 | H4S-USDAF-3164 037436 | CH4S-USDAF-3164 037437 | 23164K 421287 | 720,000 | 530 | H3164-SNP-1115 047639 | 100TT1115 047946 | 100ER1115 *042040 | 100AUX1115 045790 |
| | 3264 | H4S-USDAF-3264 037441 | CH4S-USDAF-3264 037450 | 23264K 422844 | 865,000 | 530 | H3264-SNP-1115 047680 | 100TT1115 047946 | 100ER1115 *042040 | 100AUX1115 045790 |

NOTE: LER seals are made from Aluminum unless otherwise noted by the * symbol.
If an * appears by the part number, the LER seal is manufactured from Steel.

| | | | |
|---------------------------------|----------------------------|-----------------------------|-------------------------------------|
| FEATURES/BENEFITS PAGE B11-3 | HOW TO ORDER PAGE B11-9 | NOMENCLATURE PAGE B11-10 | SELECTION/DIMENSIONS PAGE B11-30 |
|---------------------------------|----------------------------|-----------------------------|-------------------------------------|

SELECTION/DIMENSIONS



USDAF Adapter Mount Pillow Block

| Shaft Dia | Housing | Open Housing Part No. ** | Closed Housing Part No. ** | Bearing Part No. | Dynamic Capacity (C), lbs. | Max RPM LER (Grease) | SNP Part No. | TRIPLE-TECT Part No. | # LER Part No. | Aux Part No. |
|-----------|---------|--------------------------|----------------------------|------------------|----------------------------|----------------------|---------------------------|----------------------|----------------------|----------------------|
| 12 | 064L | H4S-USDAF-064L 422529 | CH4S-USDAF-064L 037428 | 23064K 422531 | 455,000 | 600 | H3064L-SNP-1200 422525 | 100TT1200 047947 | 100ER1200 *422535 | 100AUX1200 045793 |
| | 3164 | H4S-USDAF-3164 037436 | CH4S-USDAF-3164 037437 | 23164K 421287 | 720,000 | 530 | H3164-SNP-1200 050531 | 100TT1200 047947 | 100ER1200 *422535 | 100AUX1200 045793 |
| | 3264 | H4S-USDAF-3264 037449 | CH4S-USDAF-3264 037450 | 23264K 422844 | 865,000 | 530 | H3264-SNP-1200 422843 | 100TT1200 047947 | 100ER1200 *422535 | 100AUX1200 045793 |
| 12-7/16 | 068 | H4S-USDAF-068 035183 | CH4S-USDAF-068 035185 | 23068K 421282 | 530,000 | 560 | H3064-SNP-1207 047632 | 102TT1207 047948 | 102ER1207 *046498 | 102AUX1207 046567 |
| | 3168 | H4S-USDAF-3168 035945 | CH4S-USDAF-3168 035946 | 23168K 052081 | 830,000 | 500 | H3168-SNP-1207 047641 | 102TT1207 047948 | 102ER1207 *046498 | 102AUX1207 046567 |
| | 3268 | H4S-USDAF-3268 037451 | CH4S-USDAF-3268 037452 | 23268K 421293 | 1,000,000 | 480 | H328-SNP-1207 047681 | 102TT1207 047948 | 102ER1207 *046498 | 102AUX1207 046567 |
| 12-1/2 | 068 | H4S-USDAF-068 035183 | CH4S-USDAF-068 035185 | 23068K 421282 | 530,000 | 560 | H3068-SNP-1208 047635 | 102TT1208 047949 | 102ER1208 *046499 | 102AUX1208 046568 |
| | 3168 | H4S-USDAF-3168 035945 | CH4S-USDAF-3168 035946 | 23168K 052081 | 830,000 | 500 | H31680-SNP-1208 047642 | 102TT1208 047949 | 102ER1208 *046499 | 102AUX1208 046568 |
| | 3268 | H4S-USDAF-3268 037451 | CH4S-USDAF-3268 037452 | 23268K 421293 | 1,000,000 | 480 | H3268-SNP-1208 047682 | 102TT1208 047949 | 102ER1208 *046499 | 102AUX1208 046568 |
| 12-15/16 | 072 | H4S-USDAF-072 044164 | CH4S-USDAF-072 037429 | 23072K 422036 | 550,000 | 530 | H3072-SNP-1215 043635 | 104TT1215 047950 | 104ER1215 *042090 | 102AUX1215 045796 |
| 13 | 072 | H4S-USDAF-072 044164 | CH4S-USDAF-072 037429 | 23072K 422036 | 550,000 | 530 | H3072-SNP-1300 043636 | 104TT1300 047951 | 072ER1300 *042091 | 104AUX1300 045799 |
| 13-7/16 | 072L | H4S-USDAF-072L 044165 | CH4S-USDAF-072L 037430 | 23072K 422036 | 550,000 | 530 | H3072L-SNP-1307 043637 | 106TT1307 047952 | 106ER1307 *042092 | 106AUX1307 045802 |
| | 3172 | H4S-USDAF-3172 037438 | CH4S-USDAF-3172 037439 | 23172K 421288 | 850,000 | 480 | H3172-SNP-1307 047643 | 106TT1307 047952 | 106ER1307 *042092 | 106AUX1307 045802 |
| 13-1/2 | 072L | H4S-USDAF-072L 044165 | CH4S-USDAF-072L 037430 | 23072K 422036 | 550,000 | 530 | H3072L-SNP-1308 043638 | 106TT1308 047953 | 106ER1308 *042093 | 106AUX1308 045805 |
| | 3172 | H4S-USDAF-3172 037438 | CH4S-USDAF-3172 037439 | 23172K 421288 | 850,000 | 480 | H3172-SNP-1308 045434 | 106TT1308 047953 | 106ER1308 *042093 | 106AUX1308 045805 |
| 13-15/16 | 076 | H4S-USDAF-076 044166 | CH4S-USDAF-076 037431 | 23076K 422054 | 570,000 | 500 | H3076-SNP-1315 043639 | 108TT1315 047954 | 108ER1315 *042094 | 108AUX1315 045808 |
| | 3176 | H4S-USDAF-3176 037440 | CH4S-USDAF-3176 037441 | 23176K 421289 | 915,000 | 450 | H3176-SNP-1315 047644 | 108TT1315 047954 | 108ER1315 *042094 | 108AUX1315 045808 |
| 14 | 076 | H4S-USDAF-076 044166 | CH4S-USDAF-076 037431 | 23076K 422054 | 570,000 | 500 | H3076-SNP-1400 043640 | 108TT1400 047955 | 108ER1400 *042095 | 108AUX1400 046569 |
| | 3176 | H4S-USDAF-3176 037440 | CH4S-USDAF-3176 037441 | 23176K 421289 | 915,000 | 450 | H3176-SNP-1400 047645 | 108TT1400 047955 | 108ER1400 *042095 | 108AUX1400 046569 |
| 15 | 080 | H4S-USDAF-080 035417 | CH4S-USDAF-080 035418 | 23080K 421283 | 680,000 | 450 | H3080-SNP-1500 040830 | 110TT1500 047956 | 080ER1500 *050474 | 110AUX1500 046570 |
| 15-3/4 | 84 | H4S-USDAF-084 035943 | CH4S-USDAF-084 035944 | 23084K 421284 | 710,000 | 450 | H3084-SNP-1512 047636 | 112TT1512 047957 | 112ER1512 *046566 | 112AUX1512 046572 |

NOTE: LER seals are made from Aluminum unless otherwise noted by the * symbol.
If an * appears by the part number, the LER seal is manufactured from Steel.

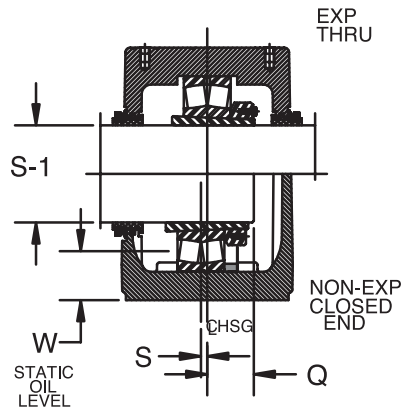
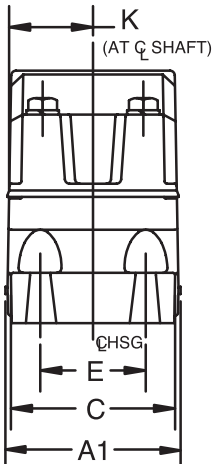
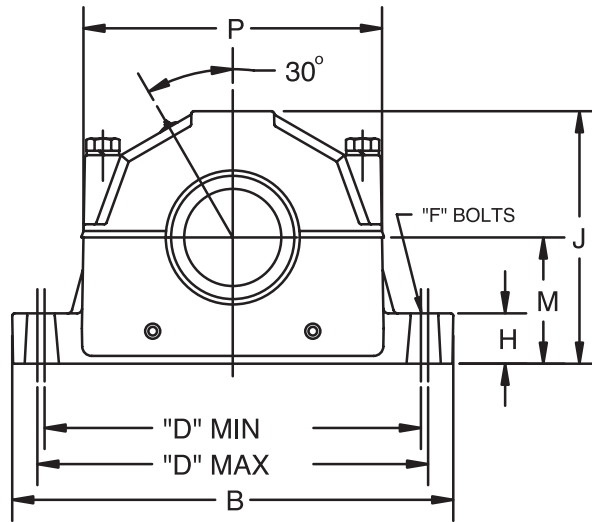
| | | | |
|---------------------------------|----------------------------|-----------------------------|-------------------------------------|
| FEATURES/BENEFITS PAGE B11-3 | HOW TO ORDER PAGE B11-9 | NOMENCLATURE PAGE B11-10 | SELECTION/DIMENSIONS PAGE B11-30 |
|---------------------------------|----------------------------|-----------------------------|-------------------------------------|



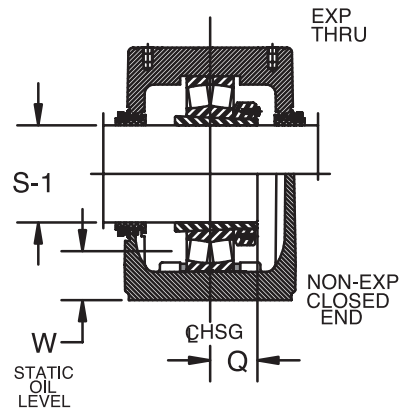
SELECTION/DIMENSIONS



USDAF Housing Dimensions



23000 SERIES
(REQUIRES (1) STABILIZING RING)



23100, 23200 SERIES
(REQUIRES (2) STABILIZING RINGS)

IMPERIAL - ISAF

UNIFIED SAF

International Bearings

Sleeve Bearing

SLEEVOIL

| | | | |
|---------------------------------|----------------------------|-----------------------------|-------------------------------------|
| FEATURES/BENEFITS PAGE B11-3 | HOW TO ORDER PAGE B11-9 | NOMENCLATURE PAGE B11-10 | SELECTION/DIMENSIONS PAGE B11-30 |
|---------------------------------|----------------------------|-----------------------------|-------------------------------------|

SELECTION/DIMENSIONS



USDAF Housing Dimensions

| S-1 Shaft Size | Housing | Bearing Number | A1 ▲ | B | C | D | | E | F Base Bolt Size 4-Req'd | H |
|----------------------|------------|-------------------|----------|----|--------|-----|--------|-------|-----------------------------------|--------|
| | | | | | | Min | Max | | | |
| 8-15/16 9 | 3248 | 23248K | 14-9/32 | 35 | 13-3/4 | 29 | 30-1/2 | 8-3/4 | 1-5/8 | 3-3/4 |
| 9-7/16 | 3152 | 23152K | | | | | | | | |
| 9-1/2 | 3252 | 23252K | | | | | | | | |
| 10-7/16 | 3156 | 23156K | | | | | | | | |
| 10-1/2 | 3256 | 23256K | | | | | | | | |
| 10-15/16 11 | 60 3160 | 23060K 23160K | | | | | | | | |
| 11-7/16 11-1/2 | 64 | 23064K | | | | | | | | |
| 11-15/16 12 | 064L | | | | | | | | | |
| 12-7/16 12-1/2 | 68 | 23068K | 15-13/16 | 39 | 15-1/4 | 32 | 34 | 10 | 1-7/8 | 4-3/16 |

| S-1 Shaft Size | Housing | Bearing Number | J | K | M | P | Q ★ | S • | Total Exp. | | | | |
|----------------------|---------|-------------------|--------|---------|--------|----------|---------|---------|---------------|--------|---------|------|-----|
| 8-15/16 9 | 3248 | 23248K | 20-7/8 | 6-53/64 | 10-1/4 | 23-15/16 | 4-7/8 | 0 | 3/8 | | | | |
| 9-7/16 | 3152 | 23152K | | | | | 4-5/8 | | 3/8 | | | | |
| 9-1/2 | 3252 | 23252K | | | | | 23-7/16 | 7-23/32 | 12 | 26-1/2 | 5-27/64 | 0 | 3/4 |
| 10-7/16 | 3156 | 23156K | | | | | | | | | 5 | 0 | 3/4 |
| 10-1/2 | 3256 | 23256K | | | | | | | | | 4-37/64 | 0 | 3/4 |
| 10-15/16 | 60 | 23060K | | | | | | | | | 4-5/16 | 3/16 | 3/8 |
| 11 | 3160 | 23160K | | | | | | | | | 5-21/64 | 0 | 3/4 |
| 11-7/16 11-1/2 | 64 | 23064K | | | | | | | | | 4-29/64 | 3/16 | 3/8 |
| 11-15/16 12 | 064L | | 3/8 | | | | | | | | | | |
| 12-7/16 12-1/2 | 68 | 23068K | 24 | 7-15/32 | 12 | 26-3/8 | 4-13/16 | 3/16 | 3/8 | | | | |

- ▲ Housing Width With Drain Plugs
- ★ Distance Shaft Should Extend Beyond Housing Centerline If Pillow Block Is Closed End Style
- Non-expansion Bearing Offset From Centerline. For Expansion Bearing S = 0

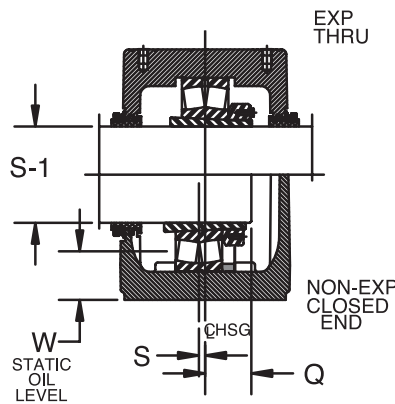
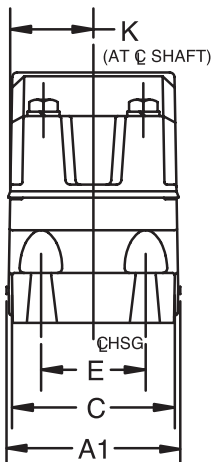
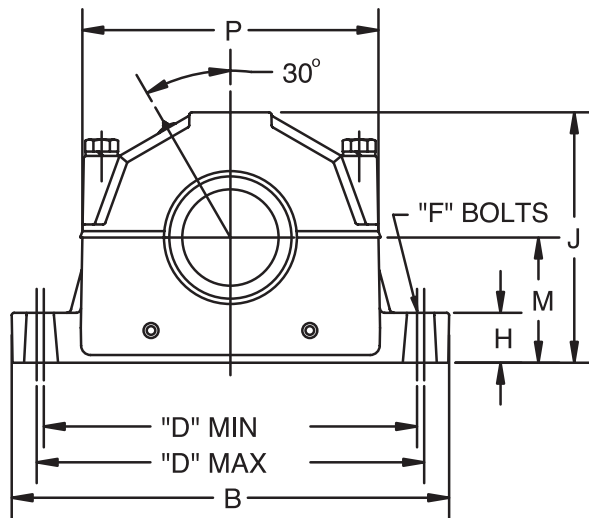
| | | | |
|---------------------------------|----------------------------|-----------------------------|-------------------------------------|
| FEATURES/BENEFITS PAGE B11-3 | HOW TO ORDER PAGE B11-9 | NOMENCLATURE PAGE B11-10 | SELECTION/DIMENSIONS PAGE B11-30 |
|---------------------------------|----------------------------|-----------------------------|-------------------------------------|



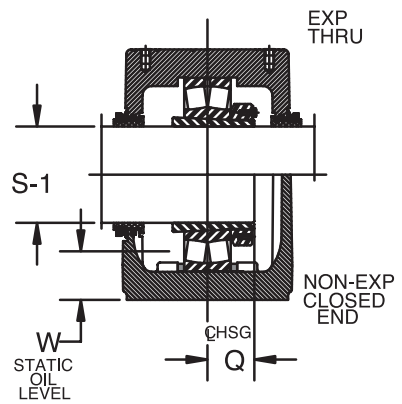
SELECTION/DIMENSIONS



USDAF Housing Dimensions



23000 SERIES
(REQUIRES (1) STABILIZING RING)



23100, 23200 SERIES
(REQUIRES (2) STABILIZING RINGS)

IMPERIAL - ISAF

UNIFIED SAF

International Bearings

Sleeve Bearing

SLEEVOIL

| | | | |
|---------------------------------|----------------------------|-----------------------------|-------------------------------------|
| FEATURES/BENEFITS PAGE B11-3 | HOW TO ORDER PAGE B11-9 | NOMENCLATURE PAGE B11-10 | SELECTION/DIMENSIONS PAGE B11-30 |
|---------------------------------|----------------------------|-----------------------------|-------------------------------------|

SELECTION/DIMENSIONS



USDAF Housing Dimensions

| S-1 Shaft Size | Housing | Bearing Number | A1 ▲ | B | C | D | | E | F Base Bolt Size 4-Req'd | H |
|-------------------|--------------|------------------|----------|----------|--------|--------|--------|--------|--------------------------|-------|
| | | | | | | Min | Max | | | |
| 10-15/16 11 | 3260 | 23260K | 16-63/64 | 41-3/4 | 15-3/4 | 35 | 36-1/2 | 10-1/2 | 1-7/8 | 4-1/2 |
| 11-15/16 12 | 3164 | 23164K | | | | | | | | |
| 12-15/16 13 | 072 | 23072K | | | | | | | | |
| 13-7/16 13-1/2 | 072L | | | | | | | | | |
| 13-15/16 14 | 076 | 23076K | | | | | | | | |
| 11-15/16 12 | 3264 | 23264K | 18-5/16 | 43-37/64 | 17-3/4 | 36-3/4 | 38-1/4 | 10-3/4 | 2 | 5 |
| 12-7/16 12-1/2 | 3168 3268 | 23168K 23268K | | | | | | | | |
| 13-7/16 13-1/2 | 3172 | 23172K | 18-3/8 | 46 | 17-1/8 | 39-1/4 | 40-3/4 | 11 | 2 | 5-1/4 |
| 13-15/16 14 | 3176 | 23176K | | | | | | | | |
| 15 | 080 | 23080K | | | | | | | | |
| 15-3/4 | 084 | 23084K | | | | | | | | |

| S-1 Shaft Size | Housing | Bearing Number | J | K | M | P | Q ★ | S • | Total Exp. |
|-------------------|--------------|------------------|--------|---------|----------|----------|---------|------|------------|
| 10-15/16 11 | 3260 | 23260K | 25-3/4 | 8-5/32 | 12-13/16 | 29-1/8 | 5-61/64 | 0 | 3/4 |
| 11-15/16 12 | 3164 | 23164K | | | | | 5-23/32 | 0 | 3/4 |
| 12-15/16 13 | 072 | 23072K | | | | | 4-13/16 | 3/16 | 3/8 |
| 13-7/16 13-1/2 | 072L | | | | | | 3/8 | | |
| 13-15/16 14 | 076 | 23076K | | | | | 5-61/64 | 3/16 | 3/8 |
| 11-15/16 12 | 3264 | 23264K | 28 | 8-45/64 | 14 | 31-1/8 | 6-7/32 | 0 | 1/2 |
| 12-7/16 12-1/2 | 3168 3268 | 23168K 23268K | | | | | 6 | 0 | 1/2 |
| 13-7/16 13-1/2 | 3172 | 23172K | 29 | 8-3/4 | 14-1/2 | 33-11/64 | 6-21/32 | 0 | 1/2 |
| 13-15/16 14 | 3176 | 23176K | | | | | 6-9/64 | 0 | 3/4 |
| 15 | 080 | 23080K | | | | | 6-5/16 | 0 | 3/4 |
| 15-3/4 | 084 | 23084K | | | | | 5-23/64 | 3/16 | 3/8 |
| | | | | | | | 5-25/64 | 3/16 | 3/8 |

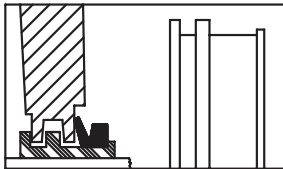
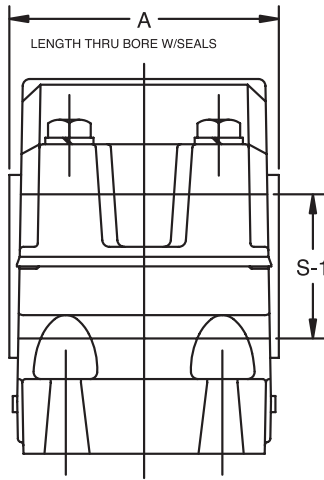
- ▲ Housing Width With Drain Plugs
- ★ Distance Shaft Should Extend Beyond Housing Centerline If Pillow Block Is Closed End Style
- Non-expansion Bearing Offset From Centerline. For Expansion Bearing S = 0

| | | | |
|---------------------------------|----------------------------|-----------------------------|-------------------------------------|
| FEATURES/BENEFITS PAGE B11-3 | HOW TO ORDER PAGE B11-9 | NOMENCLATURE PAGE B11-10 | SELECTION/DIMENSIONS PAGE B11-30 |
|---------------------------------|----------------------------|-----------------------------|-------------------------------------|

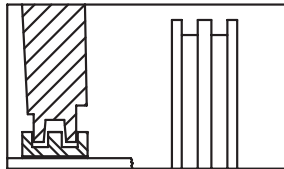
SELECTION/DIMENSIONS



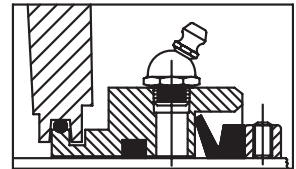
USDAF Pillow Block Seals



TRIPLE-TECT SEAL
General purpose seal for wet or dirty environments



LER SEAL
High speed seal for relatively clean environments



AUXILIARY TACONITE SEAL
For dusty environments and low to moderate speeds

| | | | |
|---------------------------------|----------------------------|-----------------------------|-------------------------------------|
| FEATURES/BENEFITS PAGE B11-3 | HOW TO ORDER PAGE B11-9 | NOMENCLATURE PAGE B11-10 | SELECTION/DIMENSIONS PAGE B11-30 |
|---------------------------------|----------------------------|-----------------------------|-------------------------------------|

SELECTION/DIMENSIONS



USDAF Pillow Block Seals - Inch

| S-1 Shaft Size (Inch) | Housing | Seal Group | Part Numbers | | | A | | |
|-----------------------|------------|------------|------------------|----------------------|------------------|----------|----------|----------------------|
| | | | TRIPLE-TECT (TT) | Metal Labyrinth (ER) | Auxiliary (AUX) | TT | ER | AUX* |
| 10-15/16 11 | 060 | 96 | 047942 047943 | 042037 422588 | 045781 044440 | 16-17/32 | 15-1/4 | 19-27/32 19-19/32 |
| 11-7/16 11-1/2 | 064 | 98 | 047944 047945 | 042038 042039 | 045784 045787 | | | 19-27/32 |
| 11-15/16 2 | 064L | 100 | 047946 047947 | 042040 422535 | 045790 045793 | | | |
| 12-7/16 12-1/2 | 068 | 102 | 047948 047949 | 046498 046499 | 046567 046568 | 16-3/32 | 14-13/16 | 19-13/32 |
| 12-15/16 13 | 072 | 104 | 047950 047951 | 042090 042091 | 045796 045799 | 17-7/16 | 16-15/64 | 20-33/64 |
| 13-7/16 13-1/2 | 072L | 106 | 047952 047953 | 042092 042093 | 045802 045805 | | | |
| 13-15/16 14 | 076 | 108 | 047954 047955 | 042094 042095 | 045808 046569 | | | 20-49/64 |
| 15 15-3/4 | 080 084 | 110 112 | 047956 047957 | 050474 046566 | 046570 046572 | 18-5/8 | 17-27/64 | 21-31-32 22-15/64 |
| 9-7/16 9-1/2 | 3152 | 84 | 043538 422545 | 042510 422594 | 040900 040901 | 13-55/64 | 13-7/16 | 18-1/4 |
| 10-7/16 10-1/2 | 3156 | 94 | 047940 047941 | 042036 422573 | 045778 042396 | 16-17/32 | 15-11/64 | 19-41/64 |
| 10-15/16 11 | 3160 | 96 | 047942 047943 | 042037 422588 | 045781 044440 | | 15-1/4 | 19-27/32 19-19/32 |
| 11-15/16 12 | 3164 | 100 | 047946 047947 | 042040 422535 | 045790 045793 | 17-7/16 | 16-5/32 | 20-3/4 |
| 12-7/16 12-1/2 | 3168 | 102 | 047948 047949 | 046498 046499 | 046567 046568 | 18-5/8 | 17-23/64 | 21-15/16 |
| 13-7/16 13-1/2 | 3172 | 106 | 047952 047953 | 042092 042093 | 045802 045805 | | 17-27/64 | 21-23/32 |
| 13-15/16 14 | 3176 | 108 | 047954 047955 | 042094 042095 | 045808 046569 | | | 21-31/32 |
| 8-15/16 9 | 3248 | 90 | 043571 043572 | 042544 042545 | 040899 040995 | 14-25/32 | 13-7/16 | 18-1/4 |
| 9-7/16 | 3252 | 84 | 043538 422545 | 042510 422594 | 040900 040901 | 15-31/64 | 15-1/16 | 19-7/8 |
| 10-7/16 10-1/2 | 3256 | 94 | 047940 047941 | 042036 422573 | 045778 042396 | 16-17/32 | 15-11/64 | 19-41/64 |
| 10-15/16 11 | 3260 | 96 | 047942 047943 | 042037 422588 | 045781 044440 | 17-7/16 | 16-5/32 | 20-3/4 20-1/2 |
| 11-15/16 12 | 3264 | 100 | 047946 047947 | 042040 422535 | 045790 045793 | 18-5/8 | 17-23/64 | 21-15/16 |
| 12-7/16 12-1/2 | 3268 | 102 | 047948 047949 | 046498 046499 | 046557 046568 | | 17-23/64 | 21-61/64 |

* Includes Collar

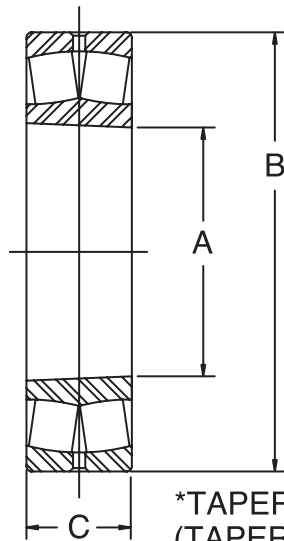
| | | | |
|---------------------------------|----------------------------|-----------------------------|-------------------------------------|
| FEATURES/BENEFITS PAGE B11-3 | HOW TO ORDER PAGE B11-9 | NOMENCLATURE PAGE B11-10 | SELECTION/DIMENSIONS PAGE B11-30 |
|---------------------------------|----------------------------|-----------------------------|-------------------------------------|



SELECTION/DIMENSIONS



USDAF 23000, 23100, 23200 Spherical Roller Bearings



***TAPERED BORE
(TAPER 1:12 ON DIAMETER)**

| Housing | Bearing Number | Part Number | Approx. Weight (lbs) | A* inch (mm) | B inch (mm) | C inch (mm) |
|----------|----------------|---------------|----------------------|--------------|--------------|-------------|
| 060 | 23060K | 422582 | 150 | 11.8110(300) | 18.1102(460) | 4.6457(118) |
| 064/064L | 23064K | 422531 | 161 | 12.5984(320) | 18.8976(480) | 4.7638(121) |
| 068 | 23068K | 421282 | 218 | 13.3858(340) | 20.4724(520) | 5.2362(133) |
| 072/072L | 23072K | 422036 | 226 | 14.1732(360) | 21.2598(540) | 5.2756(134) |
| 076 | 23076K | 422054 | 240 | 14.9606(380) | 22.0472(560) | 5.3150(135) |
| 080 | 23080K | 421283 | 309 | 15.7480(400) | 23.6220(600) | 5.8268(148) |
| 084 | 20384K | 421284 | 330 | 16.5354(420) | 24.4094(620) | 5.9055(150) |
| 3152 | 23152K | 421294 | 192 | 10.2362(260) | 17.3228(440) | 5.6693(144) |
| 3156 | 23156K | 421285 | 205 | 11.0236(280) | 18.1102(460) | 5.7488(146) |
| 3160 | 23160K | 421286 | 268 | 11.8110(300) | 19.6850(500) | 6.2992(160) |
| 3164 | 23164K | 421287 | 350 | 12.5984(320) | 21.2598(540) | 6.9291(176) |
| 3168 | 23168K | 052081 | 440 | 13.3858(340) | 22.8346(580) | 7.4803(190) |
| 3172 | 23172K | 421288 | 463 | 14.1732(360) | 23.6220(600) | 7.5590(192) |
| 3176 | 23176K | 421289 | 487 | 14.9606(380) | 24.4094(620) | 7.6378(194) |
| 3248 | 23248K | 422511 | 225 | 9.4488(240) | 17.3228(440) | 6.2992(160) |
| 3252 | 23252K | 421290 | 295 | 10.2362(260) | 18.8976(480) | 6.8504(174) |
| 3256 | 23256K | 421291 | 311 | 11.0236(280) | 19.6850(500) | 6.9291(176) |
| 3260 | 23260K | 421292 | 405 | 11.8110(300) | 21.2598(540) | 7.5590(192) |
| 3264 | 23264K | 422844 | 519 | 12.5984(320) | 22.8346(580) | 8.1890(208) |
| 3268 | 23268K | 421293 | 629 | 13.3858(340) | 24.4094(620) | 8.8189(224) |

FEATURES/BENEFITS
PAGE B11-3

HOW TO ORDER
PAGE B11-9

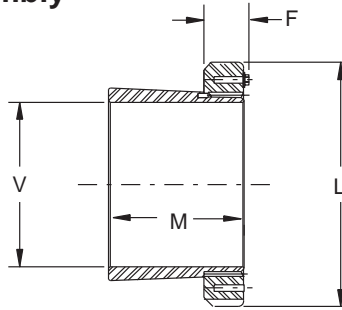
NOMENCLATURE
PAGE B11-10

SELECTION/DIMENSIONS
PAGE B11-30

SELECTION/DIMENSIONS



USDAF SNP Adapter Assembly



| Housing | Bearing Number | SNP Number | Part Number | Approx Weight (Lbs) | V Shaft Size (In.) | L (In.) | F Max (In.) | M (In.) |
|---------|----------------|----------------|---------------|---------------------|--------------------|---------|-------------|---------|
| 60 | 23060K | SNP3060-1015 | 043581 | 59.0 | 10-15/16 | 14.19 | 1.94 | 6.72 |
| | | SNP3060-1100 | 422576 | 56.8 | 11 | | | |
| 64 | 23064K | SNP3064-1107 | 043582 | 82.7 | 11-7/16 | 15.01 | 2.03 | 6.94 |
| | | SNP3064-1108 | 043583 | 80.5 | 11-1/2 | | | |
| 064L | | SNP3064-1115 | 043584 | 65.0 | 11-15/16 | | | |
| | | SNP3064-1200 | 422525 | 62.5 | 12 | | | |
| 68 | 23068K | SNP3068-1207 | 047632 | 78.0 | 12-7/16 | 15.76 | 2.16 | 7.53 |
| | | SNP3068-1208 | 047635 | 75.4 | 12-1/2 | | | |
| 72 | 23072K | SNP3072-1215 | 043635 | 107.7 | 12-15/16 | 16.51 | 2.16 | 7.57 |
| | | SNP3072-1300 | 043636 | 105.0 | 13 | | | |
| 072L | | SNP3072-1307 | 043637 | 86.0 | 13-7/16 | | | |
| | | SNP3072-1308 | 043638 | 83.2 | 13-1/2 | | | |
| 76 | 23076K | SNP3076-1315 | 043639 | 94.3 | 13-15/16 | 17.76 | 2.36 | 7.73 |
| | | SNP3076-1400 | 043640 | 91.5 | 14 | | | |
| 80 | 23080K | SNP3080-1500 | 040830 | 100.0 | 15 | 18.51 | 2.52 | 8.4 |
| 84 | 23084K | SNP3084-1512 | 047636 | 105.0 | 15-3/4 | 19.32 | 2.52 | 8.49 |
| 3152 | 23152K | SNP3152-907 | 047630 | 44.0 | 9-7/16 | 12.19 | 1.77 | 7.58 |
| | | SNP3152-908 | 047631 | 42.0 | 9-1/2 | | | |
| 3156 | 23156K | H3156-SNP-1007 | 045431 | 30.06 | 10-7/16 | 13.01 | 1.85 | 7.76 |
| | | H3156-SNP-1008 | 047637 | 28.4 | 10-1/2 | | | |
| 3160 | 23160K | H3160-SNP-1015 | 047638 | 65.0 | 10-15/16 | 14.19 | 1.94 | 8.37 |
| | | H3160-SNP-1100 | 045464 | 62.4 | 11 | | | |
| 3164 | 23164K | H3164-SNP-1115 | 047639 | 74.0 | 11-15/16 | 15.01 | 2.03 | 9.1 |
| | | H3164-SNP-1200 | 050531 | 71.0 | 12 | | | |
| 3168 | 23168K | H3168-SNP-1207 | 047641 | 117.2 | 12-7/16 | 15.76 | 2.16 | 9.78 |
| | | H3168-SNP-1208 | 047642 | 113.8 | 12-1/2 | | | |
| 3172 | 23172K | H3172-SNP-1307 | 047643 | 120.0 | 13-7/16 | 16.51 | 2.16 | 9.85 |
| | | H3172-SNP-1308 | 045434 | 116.3 | 13-1/2 | | | |
| 3176 | 23176K | H3176-SNP-1315 | 047644 | 125.0 | 13-15/16 | 17.76 | 2.36 | 10.06 |
| | | H3176-SNP-1400 | 047645 | 121.1 | 14 | | | |
| 3248 | 23248K | SNP-148-815 | 047628 | 48.5 | 8-15/16 | 11.44 | 1.7 | 8.1 |
| | | SNP-148-900 | 047629 | 46.5 | 9 | | | |
| 3252 | 23252K | H3252-SNP-907 | 047646 | 54.5 | 9-7/16 | 12.19 | 1.75 | 8.76 |
| | | H3252-SNP-908 | 047647 | 52.2 | 9-1/2 | | | |
| 3256 | 23256K | H3256-SNP-1007 | 047648 | 59.0 | 10-7/16 | 13.01 | 1.85 | 8.94 |
| | | H3256-SNP-1008 | 047649 | 56.4 | 10-1/2 | | | |
| 3260 | 23260K | H3260-SNP-1015 | 047678 | 69.5 | 10-15/16 | 14.19 | 1.94 | 9.63 |
| | | H3260-SNP-1100 | 047679 | 65.5 | 11 | | | |
| 3264 | 23264K | H3264-SNP-1115 | 047680 | 98.0 | 11-15/16 | 15.01 | 2.03 | 10.36 |
| | | H3264-SNP-1200 | 422843 | 94.5 | 12 | | | |
| 3268 | 23268K | H3268-SNP-1207 | 047681 | 132.1 | 12-7/16 | 15.76 | 2.16 | 11.12 |
| | | H3268-SNP-1208 | 047682 | 128.2 | 12-1/2 | | | |

| | | | |
|---------------------------------|----------------------------|-----------------------------|-------------------------------------|
| FEATURES/BENEFITS PAGE B11-3 | HOW TO ORDER PAGE B11-9 | NOMENCLATURE PAGE B11-10 | SELECTION/DIMENSIONS PAGE B11-30 |
|---------------------------------|----------------------------|-----------------------------|-------------------------------------|



SELECTION/DIMENSIONS



USAF 600 Adapter Mount Pillow Block with TRIPLE-TECT Seal Assembly

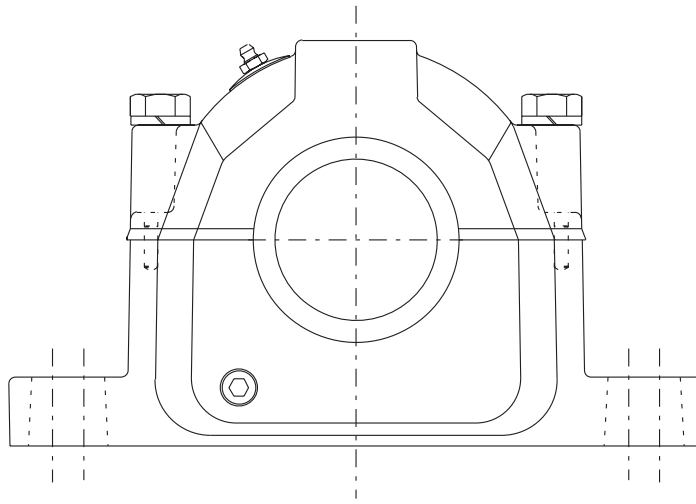


Table 17: Radial & Thrust Factors For USAF Spherical Bearings

| Shaft Size | | Bearing Series | e | FA/FR ≤ e | | FA/FR > e | | Adapter Maximum Allowable Thrust Load Pound † | Dynamic Capacity (C) Pounds | Static Capacity (Co) Lbs. | Maximum RPM | |
|------------------------|-----------------|----------------|-----|-----------|-----|-----------|-----|---|-----------------------------|---------------------------|-------------|------|
| Adapter Mounted Inches | Direct Mount mm | | | X | Y | X | Y | | | | Grease | Oil |
| 1-11/16 | 50 | 22310 | .36 | 1 | 1.9 | 0.67 | 2.8 | 1348 | 51,000 | 50,000 | 3400 | 4300 |
| 1-15/16 | 55 | 22311 | .36 | 1 | 1.9 | 0.67 | 2.8 | 1672 | 60,000 | 58,500 | 3200 | 4000 |
| | 60 | 22312 | .35 | 1 | 1.9 | 0.67 | 3 | - | 69,500 | 69,500 | 2800 | 3600 |
| 2-3/16 | 65 | 22313 | .34 | 1 | 2 | 0.67 | 3 | 2104 | 78,000 | 81,500 | 2600 | 3400 |
| | 70 | 22314 | .34 | 1 | 2 | 0.67 | 3 | - | 86,500 | 86,500 | 2400 | 3200 |
| 2-7/16 | 75 | 22315 | .34 | 1 | 2 | 0.67 | 3 | 2782 | 100,000 | 102,000 | 2200 | 3000 |
| 2-11/16 | 80 | 22316 | .34 | 1 | 2 | 0.67 | 3 | 3128 | 112,000 | 114,000 | 2200 | 3000 |
| 2-15/16 | 85 | 22317 | .33 | 1 | 2 | 0.67 | 3 | 3438 | 122,000 | 125,000 | 2000 | 2800 |
| 3-7/16 | 100 | 22320 | .34 | 1 | 2 | 0.67 | 3 | 4920 | 183,000 | 208,000 | 1700 | 2200 |
| 3-15/16 | 110 | 22322 | .33 | 1 | 2.1 | 0.67 | 3.1 | 5934 | 212,000 | 240,000 | 1500 | 1900 |
| 4-3/16 | 120 | 22324 | .33 | 1 | 2.1 | 0.67 | 3.1 | 6959 | 240,000 | 265,000 | 1400 | 1800 |
| 4-7/16 | 130 | 22326 | .33 | 1 | 2.1 | 0.67 | 3.1 | 8152 | 280,000 | 310,000 | 1300 | 1700 |
| 4-15/16 | 140 | 22328 | .34 | 1 | 2 | 0.67 | 3 | 9628 | 325,000 | 365,000 | 1200 | 1600 |
| 5-3/16 | 150 | 22330 | .33 | 1 | 2 | 0.67 | 3 | 10923 | 365,000 | 415,000 | 1100 | 1500 |
| 5-7/16 | 160 | 22332 | .37 | 1 | 1.8 | 0.67 | 2.7 | 12298 | 325,000 | 365,000 | 1000 | 1400 |
| 5-15/16 | 170 | 22334 | .37 | 1 | 1.8 | 0.67 | 2.7 | 13755 | 360,000 | 475,000 | 950 | 1300 |
| 6 | | | | | | | | | | | | |
| 6-15/16 | 190 | 22338 | .28 | 1 | 2.4 | 0.67 | 3.6 | 11786 | 270,000 | 415,000 | 1200 | 1300 |
| | | | .37 | 1 | 1.8 | 0.67 | 2.7 | 16910 | 415,000 | 570,000 | 850 | 1100 |

If the thrust load exceeds adapter maximum allowable thrust load, auxiliary methods of carrying thrust are required.

| | | | |
|---------------------------------|----------------------------|-----------------------------|-------------------------------------|
| FEATURES/BENEFITS PAGE B11-3 | HOW TO ORDER PAGE B11-9 | NOMENCLATURE PAGE B11-10 | SELECTION/DIMENSIONS PAGE B11-30 |
|---------------------------------|----------------------------|-----------------------------|-------------------------------------|

SELECTION/DIMENSIONS



USAF 600 Adapter Mount Pillow Block with TRIPLE-TECT Seal Assembly

| Shaft Dia S-1 | Complete Pillow Block Part # | Housing W/ Stab Ring Part No. | Bearing Part No. | Dynamic Capacity (C), lbs.** | Max RPM (Grease) | SNW Part No. | TRIPLE-TECT Part No. | TTDN Part No. | # LER Part No. | End Cover |
|---------------|------------------------------|-------------------------------|-----------------------|------------------------------|------------------|-------------------------|----------------------|---------------------|----------------------|----------------|
| 1-11/16 | P2B610-USAF-111TT 035929 | H2S-610-USAF 035431 | BRG22310KC3 423372 | 42,500 | 3,400 | H2310-SNW-111 046680 | 10TT111 043579 | --- | 10LER111 * 042199 | EC10 040701 |
| 1-15/16 | P2B611-USAF-115TT 039404 | H2S-611-USAF 039760 | BRG22311KC3 423102 | 50,000 | 3,200 | H2311-SNW-115 046551 | 12TT115 043540 | 12TTDN115 039582 | 12LER115 042512 | EC12 040702 |
| | P4B611-USAF-115TT 039413 | H4S-611-USAF 039762 | BRG22311KC3 423102 | 50,000 | 3,200 | H2311-SNW-115 046551 | 12TT115 043540 | 12TTDN115 039582 | 12LER115 042512 | EC12 040702 |
| 2-3/16 | P2B613-USAF-203TT 039405 | H2S-613-USAF 039764 | BRG22313KC3 423104 | 65,500 | 2,600 | H2313-SNW-203 046552 | 14TT203 043541 | 14TTDN203 039583 | 14LER203 042513 | EC14 040703 |
| | P4B613-USAF-203TT 039414 | H4S-613-USAF 039766 | BRG22313KC3 423104 | 65,500 | 2,600 | H2313-SNW-203 046552 | 14TT203 043541 | 14TTDN203 039583 | 14LER203 042513 | EC14 040703 |
| 2-7/16 | P2B615-USAF-207TT 039406 | H2S-615-USAF 039768 | BRG22315KC3 423106 | 83,000 | 2,200 | H2315-SNW-207 046553 | 20TT207 043542 | 20TTDN207 039538 | 20LER207 042514 | EC20 040704 |
| | P4B615-USAF-207TT 039415 | H4S-615-USAF 039770 | BRG22315KC3 423106 | 83,000 | 2,200 | H2315-SNW-207 046553 | 20TT207 043542 | 20TTDN207 039538 | 20LER207 042514 | EC20 040704 |
| 2-11/16 | P2B616-USAF-211TT 035930 | H2S-616-USAF 035432 | BRG22316KC3 423373 | 93,000 | 2,200 | H2316-SNW-211 046682 | 24TT211 043544 | 24TTDN211 039855 | 24LER211 042516 | EC24 040705 |
| | P4B616-USAF-211TT 035931 | H4S-616-USAF 035433 | BRG22316KC3 423373 | 93,000 | 2,200 | H2316-SNW-211 046682 | 24TT211 043544 | 24TTDN211 039855 | 24LER211 042516 | EC24 040705 |
| 2-15/16 | P2B617-USAF-215TT 039407 | H2S-617-USAF 039772 | BRG22317KC3 423108 | 102,000 | 2,000 | H2317-SNW-215 046554 | 28TT215 043546 | 28TTDN215 039530 | 28LER215 042518 | EC28 040706 |
| | P4B617-USAF-215TT 039416 | H4S-617-USAF 039774 | BRG22317KC3 423108 | 102,000 | 2,000 | H2317-SNW-215 046554 | 28TT215 043546 | 28TTDN215 039530 | 28LER215 042518 | EC28 040706 |
| 3-7/16 | P4B620-USAF-307TT 039417 | H4S-620-USAF 039776 | BRG22320KC3 423110 | 146,000 | 1,700 | H2320-SNW-307 046555 | 46TT307 043549 | 46TTDN307 039859 | 46LER307 042521 | EC46 040708 |
| 3-15/16 | P4B622-USAF-315TT 039418 | H4S-622-USAF 039778 | BRG22322KC3 423112 | 180,000 | 1,500 | H2322-SNW-315 046556 | 50TT315 043551 | 50TTDN315 039861 | 50LER315 042523 | EC50 040709 |
| 4-3/16 | P4B624-USAF-403TT 039419 | H4S-624-USAF 039780 | BRG22324KC3 422140 | 204,000 | 1,400 | H2324-SNW-403 046557 | 52TT403 043553 | 52TTDN403 039863 | 52LER403 042525 | EC52 040710 |
| 4-7/16 | P4B626-USAF-407TT 039420 | H4S-626-USAF 039781 | BRG22326KC3 423114 | 236,000 | 1,300 | H2326-SNW-407 046558 | 54TT407 043554 | 54TTDN407 039864 | 54LER407 042526 | EC54 040711 |
| 4-15/16 | P4B628-USAF-415TT 039421 | H4S-628-USAF 039553 | BRG22328KC3 422035 | 275,000 | 1,200 | H2328-SNW-415 046559 | 56TT415 043556 | 56TTDN415 039866 | 56LER415 042528 | EC56 040712 |
| 5-3/16 | P4B630-USAF-503TT 039422 | H4S-630-USAF 039782 | BRG22330KC3 423116 | 310,000 | 1,100 | H2330-SNW-503 046560 | 58TT503 043558 | --- | 58LER503 042530 | EC58 040713 |
| 5-7/16 | P4B632-USAF-507TT 039423 | H4S-632-USAF 039783 | BRG22332KC3 423118 | 325,000 | 1,000 | H2332-SNW-507 046561 | 60TT507 043559 | --- | 60LER507 042531 | EC60 040714 |
| 5-15/16 | P4B634-USAF-515TT 039424 | H4S-634-USAF 039784 | BRG22334KC3 423120 | 360,000 | 950 | H2332-SNW-515 046562 | 64TT515 043560 | --- | 64LER515 042533 | EC64 040681 |
| 6 | P4B634-USAF-600TT 039425 | H4S-634-USAF 039784 | BRG22334KC3 423120 | 360,000 | 950 | H2334-SNW-600 046563 | 64TT600 043561 | --- | 64LER600 042534 | EC64 040681 |
| 6-15/16 | P4B638-USAF-615TT 039426 | H4S-638-USAF 039785 | BRG22338KC3 423122 | 415,000 | 850 | H2338-SNW-615 046564 | 72TT615 043564 | --- | 72LER615 042537 | EC72 040683 |
| 7 | P4B638-USAF-700TT 039427 | H4S-638-USAF 039785 | BRG22338KC3 423122 | 415,000 | 850 | H2338-SNW-700 046565 | 72TT700 043565 | --- | 72LER700 042538 | EC72 040683 |

NOTE: LER seals are made from Aluminum unless otherwise noted by the * symbol.
If an * appears by the part number, the LER seal is manufactured from Steel.

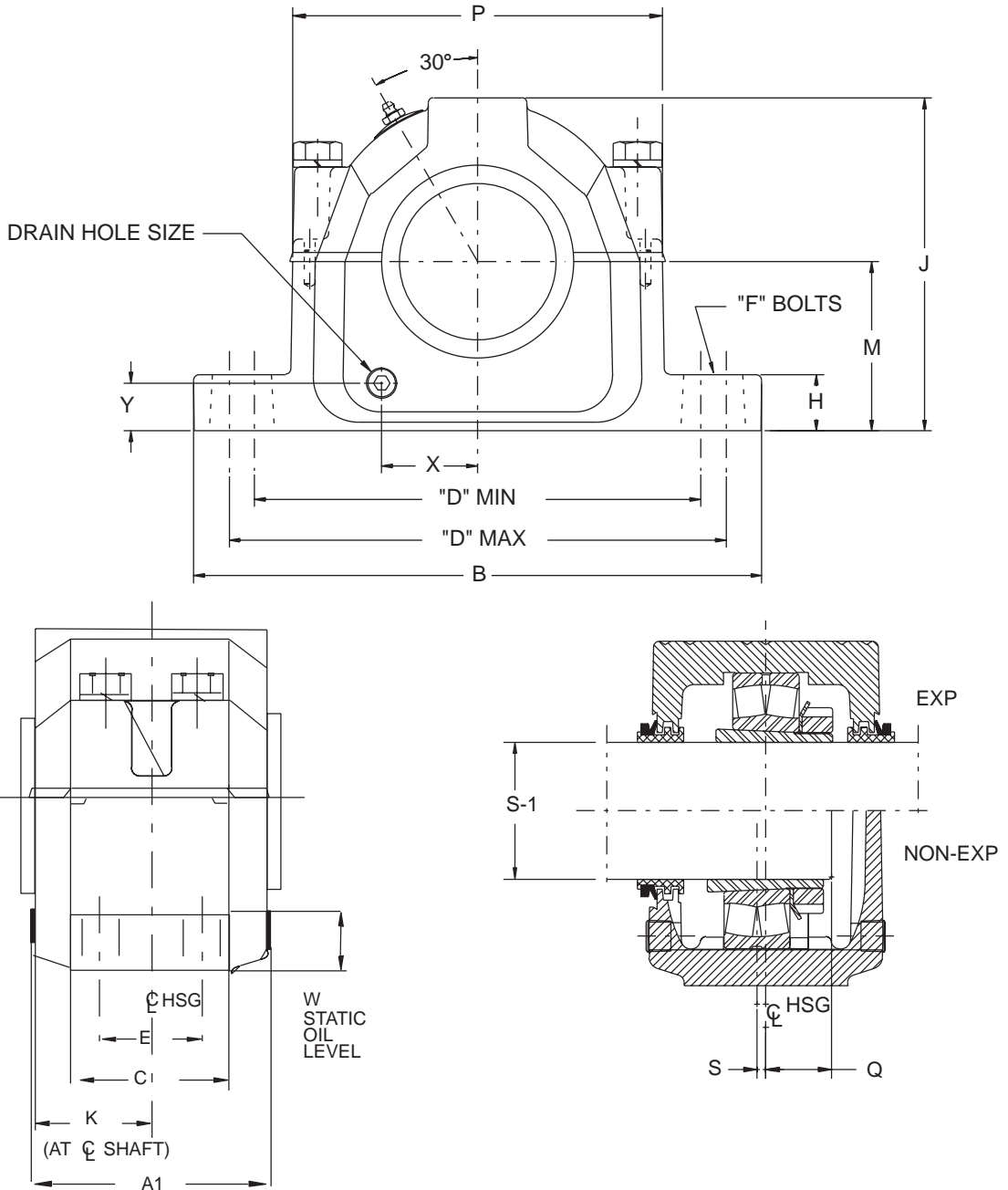
| | | | |
|---------------------------------|----------------------------|-----------------------------|-------------------------------------|
| FEATURES/BENEFITS PAGE B11-3 | HOW TO ORDER PAGE B11-9 | NOMENCLATURE PAGE B11-10 | SELECTION/DIMENSIONS PAGE B11-30 |
|---------------------------------|----------------------------|-----------------------------|-------------------------------------|



SELECTION/DIMENSIONS



USAF 600 Housing Dimensions - Inch



FEATURES/BENEFITS
PAGE B11-3

HOW TO ORDER
PAGE B11-9

NOMENCLATURE
PAGE B11-10

SELECTION/DIMENSIONS
PAGE B11-30

SELECTION/DIMENSIONS



USAF 600 Housing Dimensions - Inch

| S1 Shaft Size | Housing | A1 ▲ | B | C | D | | | | E | F | |
|---------------------|---------|----------|----------|---------|--------|--------|--------|--------|-------|-----------|--------|
| | | | | | 2-Bolt | | 4-Bolt | | | Bolt Dia. | |
| | | | | | Min | Max | Min | Max | | 2-Bolt | 4-Bolt |
| 1-11/16 | 610 | 4-45/64 | 10-5/8 | 2-3/4 | 7-3/4 | 9 | - | - | - | 5/8 | - |
| 1-15/16 | 611 | 4-41/64 | 11 | 3-1/8 | 8-1/8 | 9-1/2 | 8-1/8 | 9-1/2 | 1-7/8 | 5/8 | 1/2 |
| 2-3/16 | 613 | 5-7/16 | 12-19/32 | 3-1/2 | 9-5/8 | 11 | 9-5/8 | 11 | 2-1/8 | 3/4 | 5/8 |
| 2-7/16 | 615 | 6-5/32 | 13-5/8 | 3-7/8 | 10-1/4 | 11-3/4 | 10-3/8 | 11-5/8 | 2-1/8 | 3/4 | 5/8 |
| 2-11/16 | 616 | 6-3/8 | 14-11/64 | 3-7/8 | 10-7/8 | 12-3/8 | 10-5/8 | 12-1/2 | 2-1/8 | 3/4 | 5/8 |
| 2-15/16 | 617 | 6-25/32 | 15-23/64 | 4-11/32 | 11-5/8 | 13-1/8 | 11-5/8 | 13-1/8 | 2-3/8 | 7/8 | 3/4 |
| 3-7/16 | 620 | 8-3/64 | 16-1/2 | 4-23/32 | - | - | 13-1/4 | 14-1/2 | 2-3/4 | - | 3/4 |
| 3-15/16 | 622 | 8-17/64 | 18-3/8 | 5-1/8 | - | - | 14-1/2 | 16 | 3-1/4 | - | 7/8 |
| 4-3/16 | 624 | 9-23/64 | 20-7/8 | 6-1/4 | - | - | 16-3/4 | 18-1/4 | 3-3/4 | - | 1 |
| 4-7/16 | 626 | 9-59/64 | 21-21/32 | 6-1/4 | - | - | 17-3/8 | 19-1/4 | 3-3/4 | - | 1 |
| 4-15/16 | 628 | 9-29/32 | 24-3/4 | 6-3/4 | - | - | 19-3/8 | 21-5/8 | 4-1/4 | - | 1 |
| 5-3/16 | 630 | 10-13/32 | 26-3/4 | 7-1/8 | - | - | 20-7/8 | 23-5/8 | 4-5/8 | - | 1 |
| 5-7/16 | 632 | 10-13/16 | 28 | 7-1/2 | - | - | 21-5/8 | 24-3/8 | 4-1/2 | - | 1-1/4 |
| 5-15/16 6 | 634 | 11-17/32 | 28-3/4 | 8 | - | - | 22-1/2 | 25 | 5 | - | 1-1/4 |
| 6-15/16 7 | 638 | 12-19/64 | 32-3/4 | 8-7/8 | - | - | 24-3/4 | 27-7/8 | 5-1/4 | - | 1-1/2 |

| S-1 Shaft Size | Housing | H | J | K | M | P | Q ★ | S ● | W Static Oil Level | X | Y | Drain Hole Size |
|----------------------|---------|---------|----------|---------|---------|----------|---------|--------|--------------------------|---------|---------|-----------------------|
| 1-11/16 | 610 | 1-13/32 | 5-23/32 | 2-13/64 | 3 | 6-1/8 | 1-3/8 | 7/32 | 1-3/8 | 1-17/32 | 63/64 | 1/8-27NPSI |
| 1-15/16 | 611 | 1-9/32 | 6-3/16 | 2-5/32 | 3-1/4 | 6-1/2 | 1-27/64 | 1/8 | 1-7/16 | 1-21/32 | 1-1/32 | 1/8-27NPSI |
| 2-3/16 | 613 | 1-1/16 | 6-3/4 | 2-27/64 | 3-1/2 | 7-15/16 | 1-37/64 | 3/16 | 1-13/32 | 1-31/32 | 61/64 | 1/4-18NPSF |
| 2-7/16 | 615 | 1-7/16 | 7-3/4 | 2-27/32 | 4 | 8-21/32 | 1-49/64 | 3/16 | 1-19/32 | 2-1/4 | 1-1/8 | 3/8-18NPSF |
| 2-11/16 | 616 | 1-7/32 | 8-1/4 | 2-61/64 | 4-1/4 | 9-1/32 | 1-53/64 | 3/16 | 1-11/16 | 2-3/8 | 1-11/64 | 3/8-18NPSF |
| 2-15/16 | 617 | 1-21/32 | 8-3/4 | 3-5/32 | 4-1/2 | 9-25/32 | 1-29/32 | 3/16 | 1-3/4 | 2-5/8 | 1-1/4 | 3/8-18NPSF |
| 3-7/16 | 620 | 1-1/2 | 10-1/4 | 3-41/64 | 5-1/4 | 11-1/4 | 2-19/64 | 3/16 | 2-1/32 | 3-3/16 | 1-3/8 | 1/2-14NPSF |
| 3-15/16 | 622 | 2-1/16 | 11-17/32 | 3-3/4 | 6 | 12-13/32 | 2-1/2 | 3/16 | 2-13/32 | 3-5/16 | 1-5/8 | 1/2-14NPSF |
| 4-3/16 | 624 | 2-3/8 | 12-1/2 | 4-21/64 | 6-5/16 | 14-5/16 | 2-41/64 | 3/16 | 2-3/8 | 3-19/32 | 1-21/64 | 1/2-14NPSF |
| 4-7/16 | 626 | 2-11/32 | 13-5/16 | 4-5/8 | 6-11/16 | 14-29/32 | 2-27/32 | 3/16 | 2-7/16 | 4-1/32 | 1-21/64 | 1/2-14NPSF |
| 4-15/16 | 628 | 2-7/8 | 14-9/16 | 4-5/8 | 7-1/16 | 16-13/16 | 3-3/32 | 3/16 | 2-9/16 | 4-5/32 | 1-21/64 | 1/2-14NPSF |
| 5-3/16 | 630 | 3 | 15-1/8 | 4-7/8 | 7-1/2 | 17-3/16 | 3-17/64 | 3/16 | 2-5/8 | 4-7/32 | 1-5/8 | 1/2-14NPSF |
| 5-7/16 | 632 | 3-1/8 | 15-13/16 | 5-1/16 | 7-7/8 | 18 | 3-7/16 | 3/16 | 2-11/16 | 4-3/4 | 1-39/64 | 1/2-14NPSF |
| 5-15/16 6 | 634 | 3-3/8 | 16-5/8 | 5-7/16 | 8-1/4 | 19 | 3-19/32 | 3/16 | 2-3/4 | 4-29/32 | 1-17/32 | 1/2-14NPSF |
| 6-15/16 7 | 638 | 3-3/4 | 18-7/8 | 5-13/16 | 9-1/2 | 21-1/4 | 3-57/64 | 3/16 | 3-3/8 | 5-7/16 | 2-1/32 | 1/2-14NPSF |

▲ Housing width with drain plugs

★ Distance shaft should extend beyond housing centerline if pillow block is closed end style

● Non-expansion bearing offset from centerline. For expansion bearing S = 0.

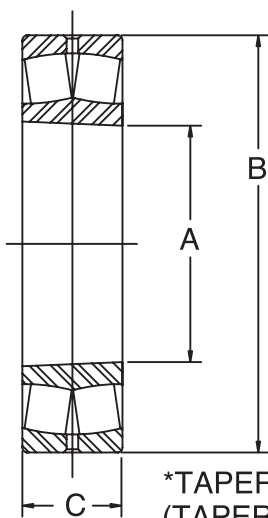
| | | | |
|---------------------------------|----------------------------|-----------------------------|-------------------------------------|
| FEATURES/BENEFITS PAGE B11-3 | HOW TO ORDER PAGE B11-9 | NOMENCLATURE PAGE B11-10 | SELECTION/DIMENSIONS PAGE B11-30 |
|---------------------------------|----------------------------|-----------------------------|-------------------------------------|



SELECTION/DIMENSIONS



USAF 22300K Spherical Roller Bearings



***TAPERED BORE
(TAPER 1:12 ON DIAMETER)**

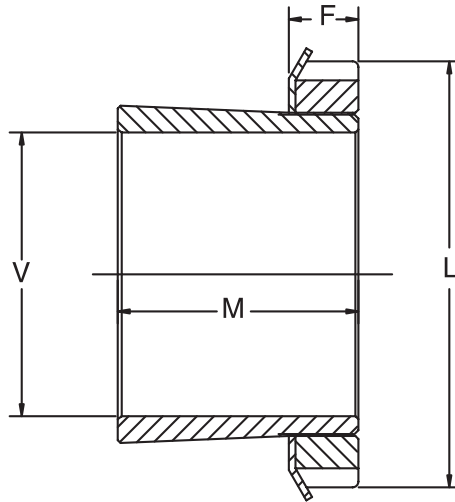
| Shaft Size (Inch) | Housing | Bearing No. | Part No. | Approx. Wt (lbs) | A* Inch (mm) | B Inch (mm) | C Inch (mm) |
|----------------------|---------|-------------|---------------|---------------------|-----------------|----------------|----------------|
| 1-7/16 | 609 | 22309K | 423100 | 3.0 | 1.7717 (45) | 3.9370 (100) | 1.4171 (36) |
| 1-11/16 | 610 | 22310K | 423372 | 3.9 | 1.9685 (50) | 4.3307 (110) | 1.5748 (40) |
| 1-15/16 | 611 | 22311K | 423102 | 5.1 | 2.1654 (55) | 4.7244 (120) | 1.6929 (43) |
| 2-3/16 | 613 | 22313K | 423104 | 7.8 | 2.5591 (65) | 5.5118 (140) | 1.8898 (48) |
| 2-7/16 | 615 | 22315K | 423106 | 11.5 | 2.9528 (75) | 6.2992 (160) | 2.1654 (55) |
| 2-11/16 | 616 | 22316K | 423373 | 13.1 | 3.1496 (80) | 6.6929 (170) | 2.2835 (58) |
| 2-15/16 | 617 | 22317K | 423108 | 15.7 | 3.3465 (85) | 7.0866 (180) | 2.3622 (60) |
| 3-7/16 | 620 | 22320K | 423110 | 28.0 | 3.9370 (100) | 8.4646 (215) | 2.8740 (73) |
| 3-15/16 | 622 | 22322K | 423112 | 38.8 | 4.3307 (110) | 9.4488 (240) | 3.1496 (80) |
| 4-3/16 | 624 | 22324K | 422140 | 48.3 | 4.7244 (120) | 10.2362 (260) | 3.3858 (86) |
| 4-7/16 | 626 | 22326K | 423114 | 59.7 | 5.1181 (130) | 11.0236 (280) | 3.6614 (93) |
| 4-15/16 | 628 | 22328K | 422035 | 75.4 | 5.5118 (140) | 11.8110 (300) | 4.0157 (102) |
| 5-3/16 | 630 | 22330K | 423116 | 90.4 | 5.9055 (150) | 12.5984 (320) | 4.2520 (108) |
| 5-7/16 | 632 | 22332K | 423118 | 113.0 | 6.2992 (160) | 13.3858 (340) | 4.4882 (114) |
| 5-15/16 6 | 634 | 22334K | 423120 | 132.0 | 6.6929 (170) | 14.1732 (360) | 4.7244 (120) |
| 6-15/16 7 | 638 | 22338K | 423122 | 179.0 | 7.4803 (190) | 15.7480 (400) | 5.1969 (132) |

| | | | |
|---------------------------------|----------------------------|-----------------------------|-------------------------------------|
| FEATURES/BENEFITS PAGE B11-3 | HOW TO ORDER PAGE B11-9 | NOMENCLATURE PAGE B11-10 | SELECTION/DIMENSIONS PAGE B11-30 |
|---------------------------------|----------------------------|-----------------------------|-------------------------------------|

SELECTION/DIMENSIONS



USAF 600 Adapter Assembly (SNW)



| V Shaft Dia. (Inch) | Housing | Adapter Number | Part Number | Aprox. Wt (Lbs) | L (in) | F Max (In) | M (In) |
|---------------------|---------|----------------|---------------|-----------------|--------|------------|--------|
| 1-7/16 | 609 | H2309-107 | 046550 | .63 | 2.53 | .52 | 1.97 |
| 1-11/16 | 610 | H2310-111 | 046680 | .80 | 2.69 | .58 | 2.17 |
| 1-15/16 | 611 | H2311-115 | 046551 | .86 | 2.97 | .58 | 2.32 |
| 2-3/16 | 613 | H2313-203 | 046552 | 1.5 | 3.38 | .64 | 2.56 |
| 2-7/16 | 615 | H2315-207 | 046553 | 2.55 | 3.88 | .69 | 2.87 |
| 2-11/16 | 616 | H2316-211 | 046682 | 3.0 | 4.16 | .69 | 3.07 |
| 2-15/16 | 617 | H2317-215 | 046554 | 3.2 | 4.41 | .72 | 3.23 |
| 3-7/16 | 620 | H2320-307 | 046555 | 5.3 | 5.19 | .83 | 3.82 |
| 3-15/16 | 622 | H2322-315 | 046556 | 5.75 | 5.72 | .86 | 4.13 |
| 4-3/16 | 624 | H2324-403 | 046557 | 7.4 | 6.12 | .92 | 4.41 |
| 4-7/16 | 626 | H2326-407 | 046558 | 10.7 | 6.75 | .95 | 4.76 |
| 4-15/16 | 628 | H2328-415 | 046559 | 12.0 | 7.09 | 1.02 | 5.16 |
| 5-3/16 | 630 | H2330-503 | 046560 | 15.6 | 7.69 | 1.08 | 5.47 |
| 5-7/16 | 632 | H2332-507 | 046561 | 21.7 | 8.06 | 1.14 | 5.79 |
| 5-15/16 | 634 | H2334-515 | 046562 | 22.0 | 8.66 | 1.23 | 8.06 |
| 6 | | H2334-600 | 046563 | 21.0 | | | |
| 6-15/16 | 638 | H2338-615 | 046564 | 22.9 | 9.47 | 1.30 | 6.65 |
| 7 | | H2338-700 | 046565 | 21.6 | | | |

| | | | |
|---------------------------------|----------------------------|-----------------------------|-------------------------------------|
| FEATURES/BENEFITS PAGE B11-3 | HOW TO ORDER PAGE B11-9 | NOMENCLATURE PAGE B11-10 | SELECTION/DIMENSIONS PAGE B11-30 |
|---------------------------------|----------------------------|-----------------------------|-------------------------------------|



SELECTION/DIMENSIONS



USAF 200 Direct Mount Pillow Block with TRIPLE-TECT Seal Assembly

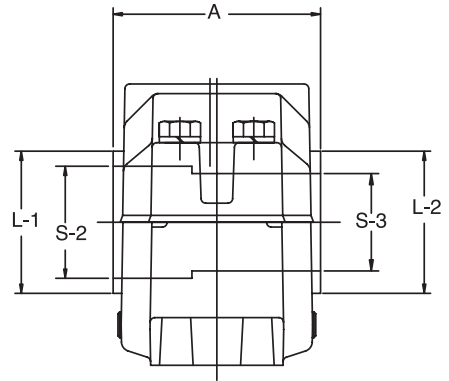
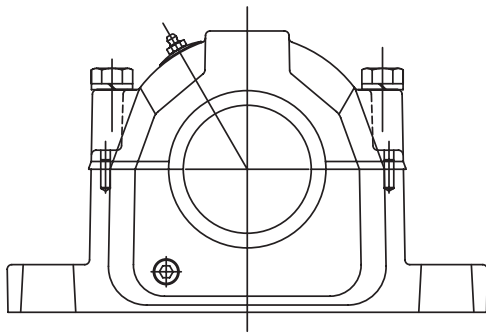
IMPERIAL - ISAF

UNIFIED SAF

International Bearings

Sleeve Bearing

SLEEVOIL



| | | | |
|---------------------------------|----------------------------|-----------------------------|-------------------------------------|
| FEATURES/BENEFITS PAGE B11-3 | HOW TO ORDER PAGE B11-9 | NOMENCLATURE PAGE B11-10 | SELECTION/DIMENSIONS PAGE B11-30 |
|---------------------------------|----------------------------|-----------------------------|-------------------------------------|

SELECTION/DIMENSIONS



USAF 200 Direct Mount Pillow Block with TRIPLE-TECT Seal Assembly

| Shaft Dia. | | Bearing Bore mm. | Complete Pillow Block Part # | Housing Part No. ** | Bearing Part No. | Dynamic Capacity (C), lbs. | Max RPM (Grease) | Locknut Part No. |
|------------|---------|------------------|------------------------------|------------------------|----------------------|----------------------------|------------------|------------------|
| S-2 | S-3 | | | | | | | |
| 3-7/16 | 2-13/16 | 75 | P2B215-USAF-307TT 039175 | H2S-215-USAF 039682 | BRG22215C3 421265 | 41,500 | 3,400 | AN15 460901 |
| | | | P4B215-USAF-307TT 039177 | H4S-215-USAF 039684 | BRG22215C3 421265 | 41,500 | 3,400 | AN15 460901 |
| 3-5/8 | 3 | 80 | P2B216-USAF-310TT 039179 | H2S-216-USAF 039686 | BRG22216C3 421266 | 46,500 | 3,200 | AN16 460902 |
| | | | P4B216-USAF-310TT 039181 | H4S-216-USAF 039688 | BRG22216C3 421266 | 46,500 | 3,200 | AN16 460902 |
| 3-15/16 | 3-3/16 | 85 | P2B217-USAF-315TT 039183 | H2S-217-USAF 039690 | BRG22217C3 421267 | 58,500 | 3,000 | AN17 460903 |
| | | | P4B217-USAF-315TT 039185 | H4S-217-USAF 039692 | BRG22217C3 421267 | 58,500 | 3,000 | AN17 460903 |
| 4-1/8 | 3-3/8 | 90 | P2B218-USAF-402TT 039187 | H2S-218-USAF 039694 | BRG22218C3 421268 | 64,000 | 2,600 | AN18 460904 |
| | | | P4B218-USAF-402TT 039189 | H4S-218-USAF 039696 | BRG22218C3 421268 | 64,000 | 2,600 | AN18 460904 |
| 4-1/2 | 3-13/16 | 100 | P2B220-USAF-408TT 039191 | H2S-220-USAF 039698 | BRG22220C3 421269 | 80,000 | 2,200 | AN20 460905 |
| | | | P4B220-USAF-408TT 039193 | H4S-220-USAF 039700 | BRG22220C3 421269 | 80,000 | 2,200 | AN20 460905 |
| 4-7/8 | 4-3/16 | 110 | P4B222-USAF-414TT 039195 | H4S-222-USAF 039702 | BRG22222C3 421270 | 102,000 | 2,000 | AN22 460906 |
| 5-5/16 | 4-9/16 | 120 | P4B224-USAF-505TT 039197 | H4S-224-USAF 039704 | BRG22224C3 421271 | 120,000 | 1,900 | AN24 041071 |
| 5-7/8 | 4-15/16 | 130 | P4B226-USAF-514TT 039199 | H4S-226-USAF 039706 | BRG22226C3 421272 | 143,000 | 1,800 | AN26 041064 |
| 6-1/4 | 5-5/16 | 140 | P4B228-USAF-604TT 039201 | H4S-228-USAF 039708 | BRG22228C3 421273 | 166,000 | 1,700 | AN28 041065 |
| 6-5/8 | 5-3/4 | 150 | P4B230-USAF-610TT 039203 | H4S-230-USAF 039710 | BRG22230C3 421274 | 190,000 | 1,600 | AN30 041072 |
| 7 | 6-1/16 | 160 | P4B232-USAF-700TT 039205 | H4S-232-USAF 039711 | BRG22232C3 421275 | 216,000 | 1,500 | AN32 041066 |
| 7-7/16 | 6-7/16 | 170 | P4B234-USAF-707TT 039207 | H4S-234-USAF 039712 | BRG22234C3 421276 | 250,000 | 1,300 | AN34 041067 |
| 7-13/16 | 6-7/8 | 180 | P4B236-USAF-713TT 039209 | H4S-236-USAF 039713 | BRG22236C3 421277 | 255,000 | 1,300 | AN36 041070 |
| 8-3/8 | 7-1/4 | 190 | P4B238-USAF-806TT 039211 | H4S-238-USAF 039714 | BRG22238C3 421278 | 270,000 | 1,200 | AN38 041068 |
| 8-3/4 | 7-5/8 | 200 | P4B240-USAF-812TT 039213 | H4S-240-USAF 039715 | BRG22240C3 421279 | 300,000 | 900 | AN40 040838 |
| 9-9/16 | 8-5/16 | 220 | P4B244-USAF-909TT 039215 | H4S-244-USAF 039716 | BRG22244C3 421280 | 365,000 | 950 | AN44 041069 |

IMPERIAL - USAF

UNIFIED SAF

International Bearings

Sleeve Bearing

SLEEVOIL

| | | | |
|---------------------------------|----------------------------|-----------------------------|-------------------------------------|
| FEATURES/BENEFITS PAGE B11-3 | HOW TO ORDER PAGE B11-9 | NOMENCLATURE PAGE B11-10 | SELECTION/DIMENSIONS PAGE B11-30 |
|---------------------------------|----------------------------|-----------------------------|-------------------------------------|



SELECTION/DIMENSIONS



USAF 200 Direct Mount Pillow Block With TRIPLE-TECT Seal Assembly

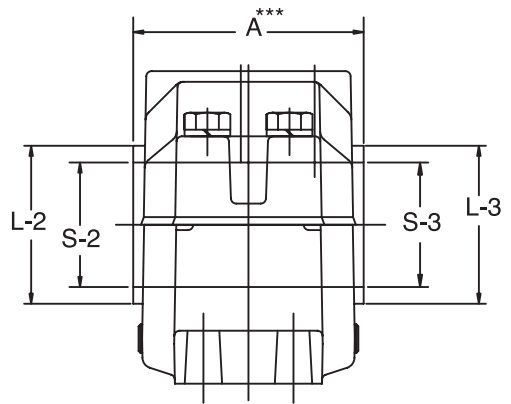
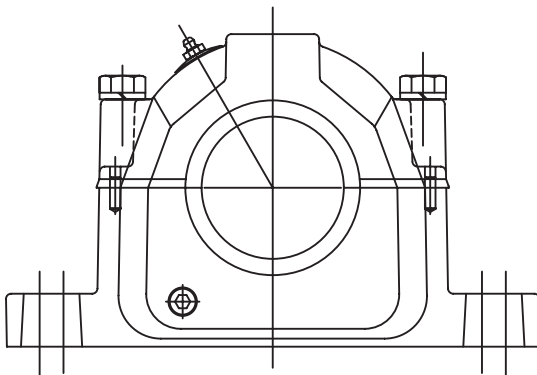
IMPERIAL - ISAF

UNIFIED SAF

International Bearings

Sleeve Bearing

SLEEVOLT



| | | | |
|---------------------------------|----------------------------|-----------------------------|-------------------------------------|
| FEATURES/BENEFITS PAGE B11-3 | HOW TO ORDER PAGE B11-9 | NOMENCLATURE PAGE B11-10 | SELECTION/DIMENSIONS PAGE B11-30 |
|---------------------------------|----------------------------|-----------------------------|-------------------------------------|

SELECTION/DIMENSIONS



USAF 200 Direct Mount Pillow Block With TRIPLE-TECT Seal Assembly

| Shaft Dia. | | Bearing Bore mm. | Lock washer Part No. | TRIPLE-TECT Part No. | | TTDN Part No. | | # LER Part No. | | End Cover Part No. |
|------------|---------|------------------|----------------------|----------------------|-------------------|---------------------|---------------------|---------------------|---------------------|--------------------|
| S-2 | S-3 | | | S2 | S3 | S2 | S3 | S2 | S3 | |
| 3-7/16 | 2-13/16 | 75 | W15 419150 | 33TT307 046401 | 24TT213 046400 | 33TTDN307 039568 | 24TTDN213 039289 | 33LER307 *045928 | 24LER213 *045927 | EC24 040705 |
| | | | W15 419150 | 33TT307 046401 | 24TT213 046400 | 33TTDN307 039568 | 24TTDN213 039289 | 33LER307 045928 | 24LER213 045927 | EC24 040705 |
| 3-5/8 | 3 | 80 | W16 419152 | 38TT310 046402 | 28TT300 043547 | 38TTDN310 039291 | 28TTDN300 039857 | 38LER310 045931 | 28LER300 042519 | EC28 040706 |
| | | | W16 419152 | 38TT310 046402 | 28TT300 043547 | 38TTDN310 039291 | 28TTDN300 039857 | 38LER310 045931 | 28LER300 042519 | EC28 040706 |
| 3-15/16 | 3-3/16 | 85 | W17 419154 | 42TT315 046404 | 32TT303 046403 | 42TTDN315 039515 | 32TTDN303 039292 | 42LER315 042089 | 32LER303 042088 | --- |
| | | | W17 419154 | 42TT315 046404 | 32TT303 046403 | 42TTDN315 039515 | 32TTDN303 039292 | 42LER315 042089 | 32LER303 042088 | --- |
| 4-1/8 | 3-3/8 | 90 | W18 419156 | 44TT402 046406 | 36TT306 046405 | --- | --- | 44LER402 *045936 | 36LER306 *045934 | --- |
| | | | W18 419156 | 44TT402 046406 | 36TT306 046405 | --- | --- | 44LER402 *045936 | 36LER306 *045934 | --- |
| 4-1/2 | 3-13/16 | 100 | W20 419158 | 54TT408 043555 | 50TT313 046407 | --- | --- | 54LER408 042527 | 50LER313 045939 | EC50 040709 |
| | | | W20 419158 | 54TT408 043555 | 50TT313 046407 | --- | --- | 54LER408 042527 | 50LER313 045939 | EC50 040709 |
| 4-7/8 | 4-3/16 | 110 | W22 419160 | 56TT414 046408 | 52TT403 043553 | 56TTDN414 039297 | 52TTDN403 039863 | 56LER414 042098 | 52LER403 042525 | EC52 040710 |
| 5-5/16 | 4-9/16 | 120 | W24 419162 | 58TT510 046411 | 54TT409 046409 | --- | --- | 58LER505 042248 | 54LER409 045943 | EC54 040711 |
| 5-7/8 | 4-18/16 | 130 | W26 419164 | 62TT514 046410 | 56TT415 043556 | --- | --- | 62LER514 042085 | 56LER415 042528 | EC56 040712 |
| 6-1/4 | 5-5/16 | 140 | W28 419166 | 66TT604 046412 | 58TT505 046411 | --- | --- | 66LER604 042249 | 58LER505 042248 | EC58 040713 |
| 6-5/8 | 5-3/4 | 150 | W30 419168 | 70TT610 046414 | 62TT512 046413 | --- | --- | 70LER610 045951 | 62LER512 045949 | --- |
| 7 | 6-1/16 | 160 | W32 419170 | 72TT700 043565 | 64TT601 046415 | --- | --- | 72LER700 042538 | 64LER601 042953 | EC64 040681 |
| 7-7/16 | 6-7/16 | 170 | W34 419172 | 76TT707 046416 | 68TT607 043562 | --- | --- | 76LER707 042049 | 68LER607 042535 | EC68 040682 |
| 7-13/16 | 6-7/8 | 180 | W36 419174 | 78TT711 046417 | 72TT614 046418 | --- | --- | 78LER711 042221 | 72LER614 042220 | EC72 040683 |
| 8-3/8 | 7-1/4 | 190 | W38 419176 | 80TT806 046420 | 74TT704 046419 | --- | --- | *80LER806 042031 | *74LER704 042032 | --- |
| 8-3/4 | 7-5/8 | 200 | W40 419171 | 82TT812 046423 | 76TT710 046422 | --- | --- | *82LER812 045956 | *76LER710 045955 | EC76 040684 |
| 9-9/16 | 8-5/16 | 220 | W44 419178 | 84TT909 046425 | 80TT805 046424 | --- | --- | *84LER909 042029 | *80LER805 042028 | --- |

NOTE: LER seals are made from Aluminum unless otherwise noted by the * symbol.

If an * appears by the part number, the LER seal is manufactured from Steel.

| | | | |
|---------------------------------|----------------------------|-----------------------------|-------------------------------------|
| FEATURES/BENEFITS PAGE B11-3 | HOW TO ORDER PAGE B11-9 | NOMENCLATURE PAGE B11-10 | SELECTION/DIMENSIONS PAGE B11-30 |
|---------------------------------|----------------------------|-----------------------------|-------------------------------------|

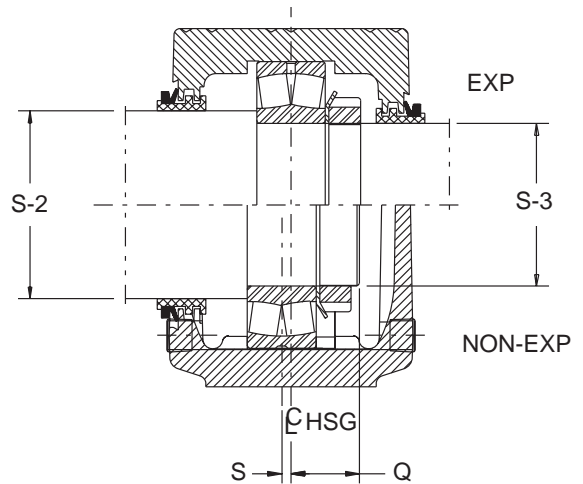
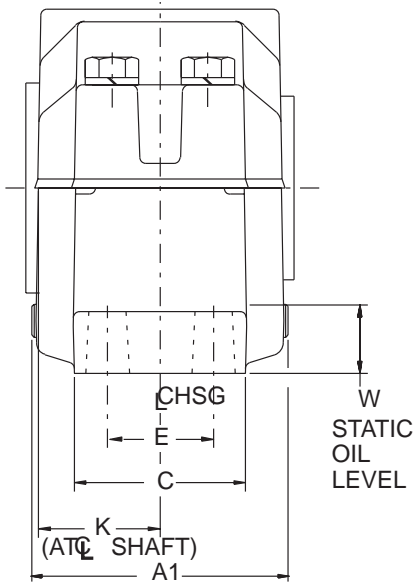
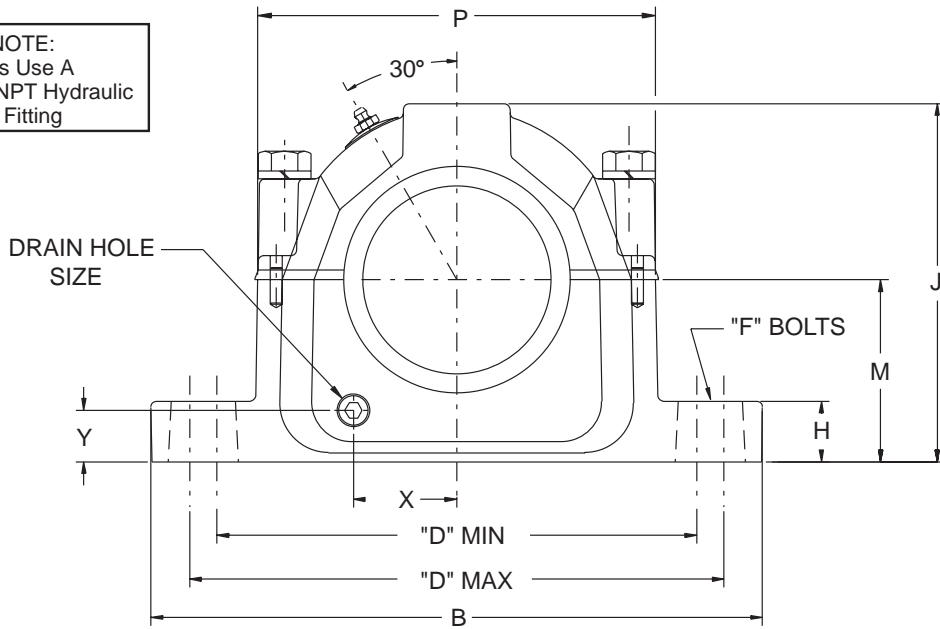


SELECTION/DIMENSIONS



USAF 200 Housing Dimensions - Inch

LUBE NOTE:
All Sizes Use A
1/8-27 NPT Hydraulic
Grease Fitting



IMPERIAL - ISAF

UNIFIED SAF

International Bearings

Sleeve Bearing

SLEEVOIL

| | | | |
|---------------------------------|----------------------------|-----------------------------|-------------------------------------|
| FEATURES/BENEFITS PAGE B11-3 | HOW TO ORDER PAGE B11-9 | NOMENCLATURE PAGE B11-10 | SELECTION/DIMENSIONS PAGE B11-30 |
|---------------------------------|----------------------------|-----------------------------|-------------------------------------|

SELECTION/DIMENSIONS



USAF 200 Housing Dimensions - Inch

| S-2 Shaft Size | S-3 Shaft Size | Housing | A1 ▲ | B | C | D | | | | E | F | |
|----------------------|----------------------|---------|----------|----------|---------|--------|--------|----------|--------|-------|-----------|-------|
| | | | | | | 2-Bolt | | 4-Bolt | | | Bolt Dia. | |
| | | | | | | Min | Max | Min | Max | | H | J |
| 3-7/16 | 2-13/16 | 215 | 5-13/64 | 11-1/8 | 3-1/8 | 8-5/8 | 9-5/8 | 8-5/8 | 9-5/8 | 1-7/8 | 5/8 | 1/2 |
| 3-5/8 | 3 | 216 | 5-7/16 | 12-19/32 | 3-1/2 | 9-5/8 | 11 | 9-5/8 | 11 | 2-1/8 | 3/4 | 5/8 |
| 3-15/16 | 3-3/16 | 217 | 5-25/64 | 12-19/32 | 3-1/2 | 9-7/8 | 11 | 9-7/8 | 11 | 2-1/8 | 3/4 | 5/8 |
| 4-1/8 | 3-3/8 | 218 | 6-5/32 | 13-5/8 | 3-7/8 | 10-1/4 | 11-3/4 | 10-3/8 | 11-5/8 | 2-1/8 | 3/4 | 5/8 |
| 4-1/2 | 3-13/16 | 220 | 6-25/32 | 15-23/64 | 4-11/32 | 11-5/8 | 13-1/8 | 11-5/8 | 13-1/8 | 2-3/8 | 7/8 | 3/4 |
| 4-7/8 | 4-3/16 | 222 | 7-5/64 | 16-1/2 | 4-3/4 | - | - | 12-19/32 | 14-1/2 | 2-3/4 | - | 3/4 |
| 5-5/16 | 4-9/16 | 224 | 8-3/64 | 16-1/2 | 4-23/32 | - | - | 13-1/4 | 14-1/2 | 2-3/4 | - | 3/4 |
| 5-7/8 | 4-15/16 | 226 | 8-17/64 | 18-3/8 | 5-1/8 | - | - | 14-1/2 | 16 | 3-1/4 | - | 7/8 |
| 6-1/4 | 5-5/16 | 228 | 8-49/64 | 19-11/16 | 5-7/8 | - | - | 15-5/8 | 17-3/8 | 3-3/8 | - | 1 |
| 6-5/8 | 5-3/4 | 230 | 9-23/64 | 20-7/8 | 6-1/4 | - | - | 16-3/4 | 18-1/4 | 3-3/4 | - | 1 |
| 7 | 6-1/16 | 232 | 9-59/64 | 21-21/32 | 6-1/4 | - | - | 17-3/8 | 19-1/4 | 3-3/4 | - | 1 |
| 7-7/16 | 6-7/16 | 234 | 9-29/32 | 24-3/4 | 6-3/4 | - | - | 19-3/8 | 21-5/8 | 4-1/4 | - | 1 |
| 7-13/16 | 6-7/8 | 236 | 10-13/32 | 26-3/4 | 7-1/8 | - | - | 20-7/8 | 23-5/8 | 4-5/8 | - | 1 |
| 8-3/8 | 7-1/4 | 238 | 10-13/16 | 28 | 7-1/2 | - | - | 21-5/8 | 24-3/8 | 4-1/2 | - | 1-1/4 |
| 8-3/4 | 7-5/8 | 240 | 11-17/32 | 28-3/4 | 8 | - | - | 22-1/2 | 25 | 5 | - | 1-1/4 |
| 9-9/16 | 8-5/16 | 244 | 12-19/64 | 32-3/4 | 8-7/8 | - | - | 24-3/4 | 27-7/8 | 5-1/4 | - | 1-1/2 |

| S-2 Shaft Size | S-3 Shaft Size | Housing | H | J | K | M | P | Q ★ | S ● | W Static Oil Level | X | Y | Drain Hole Size |
|----------------------|----------------------|---------|---------|----------|---------|---------|----------|---------|--------|-----------------------------|---------|---------|-----------------------|
| 3-7/16 | 2-13/16 | 215 | 1-1/4 | 6-7/16 | 2-5/16 | 3-1/4 | 7-1/16 | 1-25/64 | 1/8 | 1-5/32 | 1-25/32 | 7/8 | 1/4-18NPSF |
| 3-5/8 | 3 | 216 | 1-1/16 | 6-3/4 | 2-27/64 | 3-1/2 | 7-15/16 | 1-7/16 | 3/16 | 1-1/4 | 1-31/32 | 61/64 | 1/4-18NPSF |
| 3-15/16 | 3-3/16 | 217 | 1-1/4 | 7-3/8 | 2-15/32 | 3-3/4 | 8-3/16 | 1-1/2 | 3/16 | 1-3/8 | 2-1/8 | 1-1/16 | 3/8-18NPSF |
| 4-1/8 | 3-3/8 | 218 | 1-7/16 | 7-3/4 | 2-27/32 | 4 | 8-21/32 | 1-23/32 | 3/16 | 1-15/32 | 2-1/4 | 1-1/8 | 3/8-18NPSF |
| 4-1/2 | 3-13/16 | 220 | 1-21/32 | 8-3/4 | 3-5/32 | 4-1/2 | 9-25/32 | 1-59/64 | 3/16 | 1-41/64 | 2-5/8 | 1-1/4 | 3/8-18NPSF |
| 4-7/8 | 4-3/16 | 222 | 1-25/32 | 9-13/32 | 3-19/64 | 4-15/16 | 10-19/32 | 2-3/32 | 3/16 | 1-51/64 | 2-7/8 | 1-11/32 | 3/8-18NPSF |
| 5-5/16 | 4-9/16 | 224 | 1-1/2 | 10-1/4 | 3-41/64 | 5-1/4 | 11-1/4 | 2-9/32 | 3/16 | 1-27/32 | 3-3/16 | 1-3/8 | 1/2-14NPSF |
| 5-7/8 | 4-15/16 | 226 | 2-1/16 | 11-17/32 | 3-3/4 | 6 | 12-13/32 | 2-15/32 | 3/16 | 2-11/32 | 3-5/16 | 1-5/8 | 1/2-14NPSF |
| 6-1/4 | 5-5/16 | 228 | 2-1/16 | 11-13/16 | 4 | 6 | 13-1/4 | 2-29/64 | 3/16 | 2-1/32 | 3-5/8 | 1-15/32 | 1/2-14NPSF |
| 6-5/8 | 5-3/4 | 230 | 2-3/8 | 12-1/2 | 4-21/64 | 6-5/16 | 14-5/16 | 2-39/64 | 3/16 | 2-1/32 | 3-19/32 | 1-21/64 | 1/2-14NPSF |
| 7 | 6-1/16 | 232 | 2-11/32 | 13-5/16 | 4-5/8 | 6-11/16 | 14-29/32 | 2-31/32 | 3/16 | 2-3/32 | 4-1/32 | 1-21/64 | 1/2-14NPSF |
| 7-7/16 | 6-7/16 | 234 | 2-7/8 | 14-9/16 | 4-5/8 | 7-1/16 | 16-13/16 | 3-1/8 | 3/16 | 2-3/16 | 4-5/32 | 1-21/64 | 1/2-14NPSF |
| 7-13/16 | 6-7/8 | 236 | 3 | 15-1/8 | 4-7/8 | 7-1/2 | 17-3/16 | 3-5/32 | 3/16 | 2-27/64 | 4-7/32 | 1-5/8 | 1/2-14NPSF |
| 8-3/8 | 7-1/4 | 238 | 3-1/8 | 15-13/16 | 5-1/16 | 7-7/8 | 18 | 3-19/64 | 3/16 | 2-17/32 | 4-3/4 | 1-39/64 | 1/2-14NPSF |
| 8-3/4 | 7-5/8 | 240 | 3-3/8 | 16-5/8 | 5-7/16 | 8-1/4 | 19 | 3-1/2 | 3/16 | 2-15/32 | 4-29/32 | 1-17/32 | 1/2-14NPSF |
| 9-9/16 | 8-5/16 | 244 | 3-3/4 | 18-7/8 | 5-13/16 | 9-1/2 | 21-1/4 | 3-27/64 | 3/16 | 3-1/4 | 5-7/16 | 2-1/32 | 1/2-14NPSF |

▲ Housing width with drain plugs

★ Distance shaft should extend beyond housing centerline if pillow block is closed end style

● Non-expansion bearing offset from centerline. For expansion bearing S = 0.

| | | | |
|---------------------------------|----------------------------|-----------------------------|-------------------------------------|
| FEATURES/BENEFITS PAGE B11-3 | HOW TO ORDER PAGE B11-9 | NOMENCLATURE PAGE B11-10 | SELECTION/DIMENSIONS PAGE B11-30 |
|---------------------------------|----------------------------|-----------------------------|-------------------------------------|

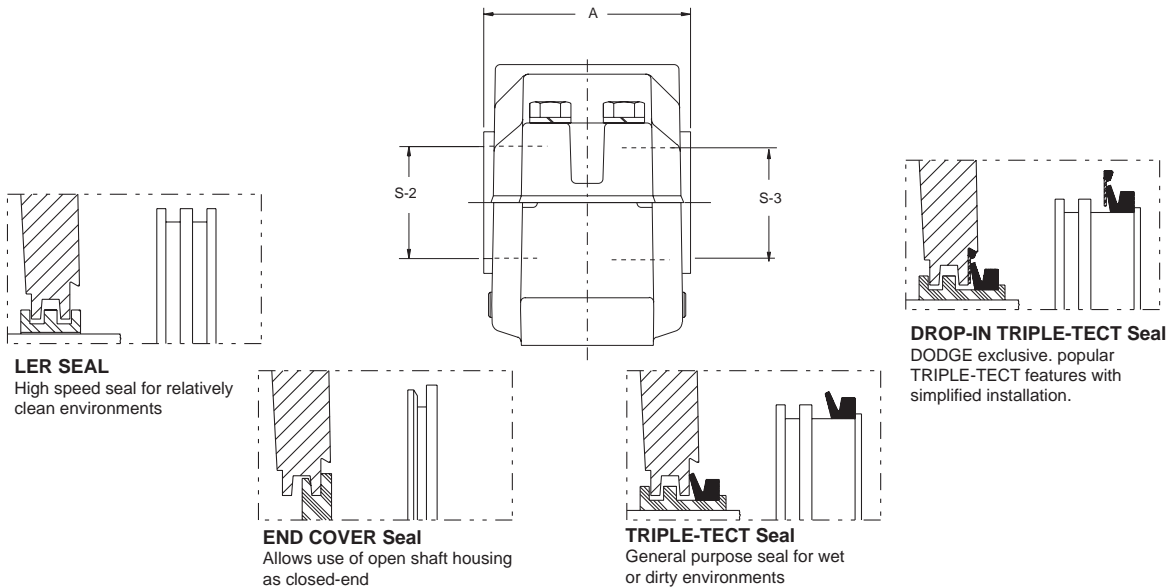


SELECTION/DIMENSIONS



USAF 200 Pillow Block Seals

LENGTH THRU BORE W/SEALS



| S-2 Shaft Size (Inch) | S-3 Shaft Size (Inch) | Housing | Seal Group | | Part Number | | | | | | | A | | |
|-----------------------|-----------------------|---------|------------|-----|------------------|--------|----------------------------|--------|------------------------|---------|--------------------|-----------|-------------|------------|
| | | | | | TRIPLE-TECT (TT) | | TRIPLE-TECT Drop-in (TTDN) | | #Metal Labyrinth (LER) | | End Cover Part No. | TT (Inch) | TTDN (Inch) | LER (Inch) |
| | | | S-2 | S-3 | S-2 | S-3 | S-2 | S-3 | S-2 | S-3 | S-2 | | | |
| 3-7/16 | 2-13/16 | 215 | 33 | 24 | 046401 | 046400 | 039568 | 039289 | *045928 | *045927 | 040705 | 5-3/32 | 5-3/32 | 4-15/32 |
| 3-5/8 | 3 | 216 | 38 | 28 | 046402 | 043547 | 039291 | 039857 | 045931 | 042519 | 040706 | 5-21/64 | 5-21/64 | 4-23/32 |
| 3-15/16 | 3-3/16 | 217 | 42 | 32 | 046404 | 046403 | 039515 | 039292 | 042089 | 042088 | - | 5-7/16 | 5-7/16 | 4-53/64 |
| 4-1/8 | 3-3/8 | 218 | 44 | 36 | 046406 | 046405 | - | - | *045936 | *045934 | - | 6-17/64 | 6-17/64 | 5-45/64 |
| 4-1/2 | 3-13/16 | 220 | 54 | 50 | 043555 | 046407 | - | - | 042527 | 045939 | 040709 | 6-27/32 | 6-27/32 | 6-5/16 |
| 4-7/8 | 4-3/16 | 222 | 56 | 52 | 046408 | 043553 | 039297 | 039863 | 042098 | 042525 | 040710 | 7-3/16 | 7-3/16 | 6-19/32 |
| 5-5/16 | 4-9/16 | 224 | 58 | 54 | 046411 | 046409 | - | - | 042248 | 045943 | 040711 | 7-29/32 | 7-29/32 | 7-5/16 |
| 5-7/8 | 4-15/16 | 226 | 62 | 56 | 046410 | 043556 | - | - | 042085 | 042528 | 040712 | 8-9/64 | 8-9/64 | 7-1/2 |
| 6-1/4 | 5-5/16 | 228 | 66 | 58 | 046412 | 046411 | - | - | 042249 | 042248 | 040713 | 8-17/32 | 8-17/32 | 7-7/8 |
| 6-5/8 | 5-3/4 | 230 | 70 | 62 | 046414 | 046413 | - | - | 045951 | 045949 | - | 9-13/32 | 9-13/32 | 8-45/64 |
| 7 | 6-1/16 | 232 | 72 | 64 | 043565 | 046415 | - | - | 042538 | 045953 | 040681 | 9-29/32 | 9-29/32 | 9-13/64 |
| 7-7/16 | 6-7/16 | 234 | 76 | 68 | 046416 | 043562 | - | - | 042049 | 042535 | 040682 | 9-53/64 | 9-53/64 | 9-1/8 |
| 7-13/16 | 6-7/8 | 236 | 78 | 72 | 046417 | 046418 | - | - | 042221 | 042220 | 040683 | 10-13/32 | 10-13/32 | 9-11/16 |
| 8-3/8 | 7-1/4 | 238 | 80 | 74 | 046420 | 046419 | - | - | *042031 | *042032 | - | 11 | 11 | 9-63/64 |
| 8-3/4 | 7-5/8 | 240 | 82 | 76 | 046423 | 046422 | - | - | *045956 | *045955 | 040684 | 11-25/32 | 11-25/32 | 10-23/32 |
| 9-9/16 | 8-5/16 | 244 | 84 | 80 | 046425 | 046424 | - | - | *042029 | *042028 | - | 12-19/64 | 12-19/64 | 11-13/32 |

NOTE: LER seals are made from Aluminum unless otherwise noted by the * symbol.

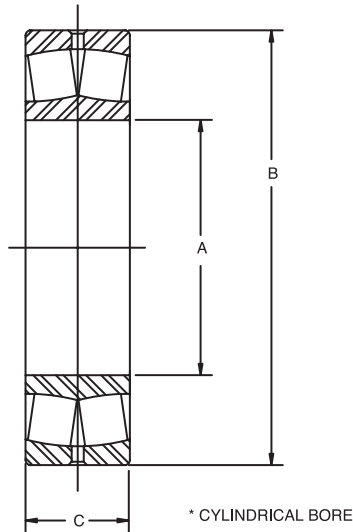
If an * appears by the part number, the LER seal is manufactured from Steel.

| | | | |
|---------------------------------|----------------------------|-----------------------------|-------------------------------------|
| FEATURES/BENEFITS PAGE B11-3 | HOW TO ORDER PAGE B11-9 | NOMENCLATURE PAGE B11-10 | SELECTION/DIMENSIONS PAGE B11-30 |
|---------------------------------|----------------------------|-----------------------------|-------------------------------------|

SELECTION/DIMENSIONS



USAF 22200 Spherical Roller Bearings



| Bearing Bore mm | Housing | Bearing No. | Part No. | Approx. Wt. (lbs) | A Inch (mm) | B Inch (mm) | C Inch (mm) |
|--------------------|---------|----------------|---------------|----------------------|----------------|----------------|----------------|
| 75 | 215 | 22215 | 421265 | 3.6 | 2.9528 (75) | 5.1181 (130) | 1.2205 (31) |
| 80 | 216 | 22216 | 421266 | 4.4 | 3.1496 (80) | 5.5118 (140) | 1.2992 (33) |
| 85 | 217 | 22217 | 421267 | 5.5 | 3.3465 (85) | 5.9055 (150) | 1.4173 (36) |
| 90 | 218 | 22218 | 421268 | 7.1 | 3.5433 (90) | 6.2992 (160) | 1.5748 (40) |
| 100 | 220 | 22220 | 421269 | 10.4 | 3.9370 (100) | 7.0866 (180) | 1.8110 (46) |
| 110 | 222 | 22222 | 421270 | 14.8 | 4.3307 (110) | 7.8740 (200) | 2.0866 (53) |
| 120 | 224 | 22224 | 421271 | 18.7 | 4.7244 (120) | 8.4646 (215) | 2.2835 (58) |
| 130 | 226 | 22226 | 421272 | 23.1 | 5.1181 (130) | 9.0551 (230) | 2.5197 (64) |
| 140 | 228 | 22228 | 421273 | 29.8 | 5.5118 (140) | 9.8425 (250) | 2.6772 (68) |
| 150 | 230 | 22230 | 421274 | 35.5 | 5.9055 (150) | 10.6299 (270) | 2.8740 (73) |
| 160 | 232 | 22232 | 421275 | 47.8 | 6.2992 (160) | 11.4173 (290) | 3.1496 (80) |
| 170 | 234 | 22234 | 421276 | 58.0 | 6.6929 (170) | 12.2047 (310) | 3.3858 (86) |
| 180 | 236 | 22236 | 421277 | 60.8 | 7.0866 (180) | 12.5984 (320) | 3.3858 (86) |
| 190 | 238 | 22238 | 421278 | 82.2 | 7.4803 (190) | 13.3858 (340) | 3.6220 (92) |
| 200 | 240 | 22240 | 421279 | 97.9 | 7.8740 (200) | 14.1732 (360) | 3.8583 (98) |
| 220 | 244 | 22244 | 421280 | 135.0 | 8.6614 (220) | 15.7480 (400) | 4.2520 (108) |

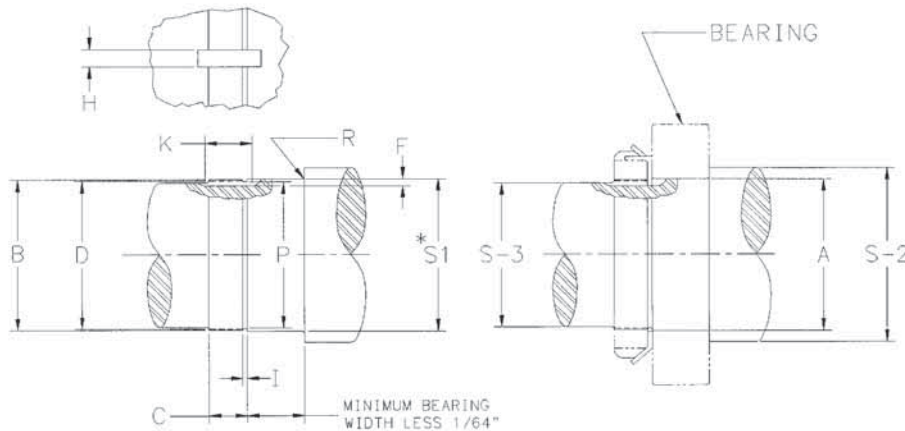
| | | | |
|---------------------------------|----------------------------|-----------------------------|-------------------------------------|
| FEATURES/BENEFITS PAGE B11-3 | HOW TO ORDER PAGE B11-9 | NOMENCLATURE PAGE B11-10 | SELECTION/DIMENSIONS PAGE B11-30 |
|---------------------------------|----------------------------|-----------------------------|-------------------------------------|



SELECTION/DIMENSIONS



USAF 200 Series Bearing Shaft Details



| Nominal Bearing Bore Dia. (mm) | Shaft Bearing Seat Diameters (Inch) | | | | | |
|--------------------------------|-------------------------------------|--------|----------|-----------|--------|----------|
| | Normal Load | | | High Load | | |
| | * S-I | | Mean Fit | * S-I | | Mean Fit |
| | Max | Min | | Max | Min | |
| 75 | 2.9540 | 2.9532 | .0011T | 2.9543 | 2.9536 | .0014T |
| 80 | 3.1508 | 3.1501 | .0012T | 3.1511 | 3.1504 | .0015T |
| 85 | 3.3479 | 3.3470 | .0014T | 3.3484 | 3.3475 | .0019T |
| 90 | 3.5447 | 3.5438 | | 3.5452 | 3.5443 | |
| 95 | 3.7416 | 3.7407 | | 3.7421 | 3.7412 | |
| 100 | 3.9384 | 3.9375 | | 3.9389 | 3.9380 | |
| 105 | 4.1353 | 4.1344 | | 4.1358 | 4.1349 | |
| 110 | 4.3321 | 4.3312 | | 4.3326 | 4.3317 | |
| 120 | 4.7258 | 4.7249 | .0016T | 4.7263 | 4.7254 | .0022T |
| 125 | 4.9229 | 4.9219 | | 4.9235 | 4.9225 | |
| 130 | 5.1197 | 5.1187 | | 5.1203 | 5.1193 | |
| 140 | 5.5134 | 5.5124 | | 5.5140 | 5.5130 | |
| 150 | 5.9071 | 5.9061 | | 5.9077 | 5.9067 | |
| 160 | 6.3008 | 6.2998 | | 6.3014 | 6.3004 | |
| 170 | 6.6945 | 6.6935 | .0019T | 6.6951 | 6.6941 | .0026T |
| 180 | 7.0882 | 7.0872 | | 7.0888 | 7.0878 | |
| 190 | 7.4821 | 7.4809 | | 7.4829 | 7.4817 | |
| 200 | 7.8758 | 7.8746 | | 7.8772 | 7.8760 | |
| 220 | 8.6632 | 8.6620 | | 8.6646 | 8.6634 | .0032T |

Normal Load
P/C = 0.10 TO 0.18

High Load
P/C > 0.18

Where P= Equivalent dynamic load on the bearing (lbs.)
C= Basic dynamic load rating of bearing (lbs.)

| | | | |
|---------------------------------|----------------------------|-----------------------------|-------------------------------------|
| FEATURES/BENEFITS PAGE B11-3 | HOW TO ORDER PAGE B11-9 | NOMENCLATURE PAGE B11-10 | SELECTION/DIMENSIONS PAGE B11-30 |
|---------------------------------|----------------------------|-----------------------------|-------------------------------------|

SELECTION/DIMENSIONS



USAF 200 Series Bearing Shaft Details

| USAF 22200 BEARING SHAFT DIMENSIONS - INCH | | | | | | | | |
|--|-------------------------------|-----------------|---------|---------|------------------|------------------|---------------------|--------------|
| Housing | Locknut & Washer Kit Part No. | A Brg Bore | S-2 | S-3 | Keyway | | | R Max Radius |
| | | | | | F Depth +1/64 -0 | H Width +1/64 -0 | K Full Depth Length | |
| 215 | 046756 | 2.9528 (75mm) | 3-7/16 | 2-13/16 | 1/8 | 5/16 | 15/16 | 0.059 |
| 216 | 046757 | 3.1496 (80 mm) | 3-5/8 | 3 | 1/8 | 3/8 | 15/16 | 0.079 |
| 217 | 046758 | 3.3465 (85 mm) | 3-15/16 | 3-3/16 | 1/8 | 3/8 | 31/32 | 0.079 |
| 218 | 046759 | 3.5433 (90 mm) | 4-1/8 | 3-3/8 | 5/32 | 3/8 | 1-1/16 | 0.079 |
| 220 | 046760 | 3.9370 (100 mm) | 4-1/2 | 3-13/16 | 5/32 | 3/8 | 1-3/16 | 0.079 |
| 222 | 046761 | 4.3307 (110 mm) | 4-7/8 | 4-3/16 | 3/16 | 3/8 | 1-7/32 | 0.079 |
| 224 | 046762 | 4.7244 (120 mm) | 5-5/16 | 4-9/16 | 3/16 | 3/8 | 1-1/4 | 0.079 |
| 226 | 046763 | 5.1181 (130 mm) | 5-7/8 | 4-15/16 | 3/16 | 1/2 | 1-5/16 | 0.098 |
| 228 | 046764 | 5.5118 (140 mm) | 6-1/4 | 5-5/16 | 3/16 | 5/8 | 1-3/8 | 0.098 |
| 230 | 046765 | 5.9055 (150 mm) | 6-5/8 | 5-3/4 | 7/32 | 5/8 | 1-1/2 | 0.098 |
| 232 | 046766 | 6.2992 (160 mm) | 7 | 6-1/16 | 15/64 | 5/8 | 1-9/16 | 0.098 |
| 234 | 046767 | 6.6929 (170 mm) | 7-7/16 | 6-7/16 | 15/64 | 3/4 | 1-19/32 | 0.118 |
| 236 | 046768 | 7.0866 (180 mm) | 7-13/16 | 6-7/8 | 15/64 | 3/4 | 1-5/8 | 0.118 |
| 238 | 046769 | 7.4803 (190 mm) | 8-3/8 | 7-1/4 | 15/64 | 3/4 | 1-21/32 | 0.118 |
| 240 | 046770 | 7.8740 (200 mm) | 8-3/4 | 7-5/8 | 15/64 | 7/8 | 1-23/32 | 0.118 |
| 244 | 046771 | 8.6614 (220 mm) | 9-9/16 | 8-5/16 | 3/8 | 1-1/16 | 1-9/16 | 0.118 |

| USAF 22200 BEARING SHAFT DIMENSIONS - INCH | | | | | | | | |
|--|------------------|--------------------|--------|--------------------|--------|--------------------------|--------------------------|------------------------|
| Housing | Threads Per Inch | B Thread Major Dia | | D Thread Pitch Dia | | C Thread Length +1/64 -0 | I Thread Relief +1/64 -0 | P † Thread Relief DIA. |
| | | Max | Min | Max | Min | | | |
| 215 | 12 | 2.9330 | 2.9218 | 2.8789 | 2.8735 | 11/16 | 5/32 | 2.7995 |
| 216 | 12 | 3.1370 | 3.1258 | 3.0829 | 3.0770 | 11/16 | 5/32 | 3.0035 |
| 217 | 12 | 3.3400 | 3.3288 | 3.2859 | 3.2800 | 23/32 | 5/32 | 3.2065 |
| 218 | 12 | 3.5270 | 3.5158 | 3.4729 | 3.4655 | 13/16 | 5/32 | 3.3935 |
| 220 | 12 | 3.9180 | 3.9068 | 3.8639 | 3.8565 | 7/8 | 5/32 | 3.7845 |
| 222 | 12 | 4.325 | 4.3138 | 4.2709 | 4.2626 | 29/32 | 5/32 | 4.1915 |
| 224 | 12 | 4.716 | 4.7048 | 4.6619 | 4.6536 | 15/16 | 5/32 | 4.5825 |
| 226 | 12 | 5.106 | 5.0948 | 5.0519 | 5.0436 | 1 | 5/32 | 4.9725 |
| 228 | 12 | 5.497 | 5.4858 | 5.4429 | 5.4346 | 1-1/16 | 5/32 | 5.3635 |
| 230 | 12 | 5.888 | 5.8768 | 5.8339 | 5.8256 | 1-1/8 | 5/32 | 5.7545 |
| 232 | 8 | 6.284 | 6.2688 | 6.2028 | 6.1937 | 1-3/16 | 1/4 | 6.0993 |
| 234 | 8 | 6.659 | 6.6438 | 6.5778 | 6.5687 | 1-7/32 | 1/4 | 6.4743 |
| 236 | 8 | 7.066 | 7.0508 | 6.9848 | 6.9757 | 1-1/4 | 1/4 | 6.8813 |
| 238 | 8 | 7.472 | 7.4568 | 7.3908 | 7.3817 | 1-9/32 | 1/4 | 7.2873 |
| 240 | 8 | 7.847 | 7.8318 | 7.7658 | 7.7544 | 1-11/32 | 1/4 | 7.6623 |
| 244 | 8 | 8.628 | 8.6128 | 8.5468 | 8.5347 | 1-3/8 | 1/4 | 8.4433 |

† Tolerance ±.005 through 2.6672 dia.; ±.010 for larger sizes

| | | | |
|---------------------------------|----------------------------|-----------------------------|-------------------------------------|
| FEATURES/BENEFITS PAGE B11-3 | HOW TO ORDER PAGE B11-9 | NOMENCLATURE PAGE B11-10 | SELECTION/DIMENSIONS PAGE B11-30 |
|---------------------------------|----------------------------|-----------------------------|-------------------------------------|



SELECTION/DIMENSIONS



USAF 200 Series Locknuts & Washers

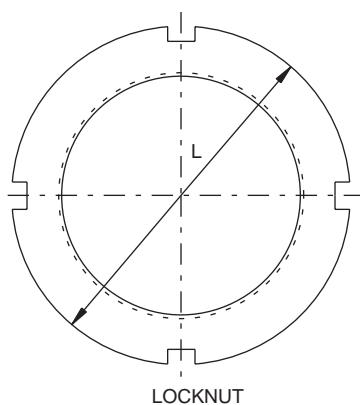
IMPERIAL - ISAF

UNIFIED SAF

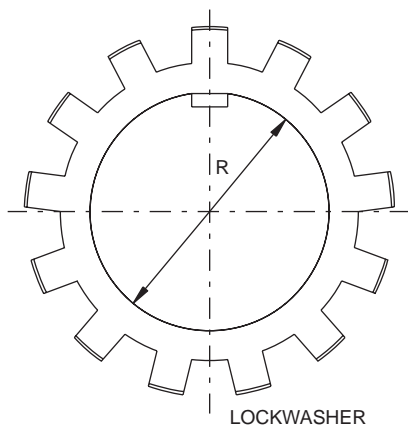
International Bearings

Sleeve Bearing

SLEEVOIL



LOCKNUT



LOCKWASHER

| | | | |
|---------------------------------|----------------------------|-----------------------------|-------------------------------------|
| FEATURES/BENEFITS PAGE B11-3 | HOW TO ORDER PAGE B11-9 | NOMENCLATURE PAGE B11-10 | SELECTION/DIMENSIONS PAGE B11-30 |
|---------------------------------|----------------------------|-----------------------------|-------------------------------------|

SELECTION/DIMENSIONS



USAF 200 Series Locknuts & Washers

IMPERIAL - ISAF

UNIFIED SAF

International Bearings

Sleeve Bearing

SLEEVOIL

| Housing | Locknut | | Lockwasher | | L | M | R | Q |
|---------|----------|---------------|------------|---------------|-------|------|-------|-------|
| | Descrip. | Part No. | Descrip. | Part No. | Inch | Inch | Inch | Inch |
| 215 | AN15 | 460901 | W15 | 419150 | 3.88 | 0.59 | 2.988 | 0.072 |
| 216 | AN16 | 460902 | W16 | 419152 | 4.16 | 0.59 | 3.192 | 0.072 |
| 217 | AN17 | 460903 | W17 | 419154 | 4.41 | 0.62 | 3.410 | 0.072 |
| 218 | AN18 | 460904 | W18 | 419156 | 4.66 | 0.69 | 3.597 | 0.094 |
| 220 | AN20 | 460905 | W20 | 419158 | 5.19 | 0.75 | 4.003 | 0.094 |
| 222 | AN22 | 460906 | W22 | 419160 | 5.72 | 0.78 | 4.410 | 0.125 |
| 224 | AN24 | 041071 | W24 | 419162 | 6.12 | 0.81 | 4.816 | 0.125 |
| 226 | AN26 | 041064 | W26 | 419164 | 6.75 | 0.88 | 5.209 | 0.125 |
| 228 | AN28 | 041065 | W28 | 419166 | 7.09 | 0.94 | 5.600 | 0.125 |
| 230 | AN30 | 041072 | W30 | 419168 | 7.69 | 0.97 | 6.001 | 0.156 |
| 232 | AN32 | 041066 | W32 | 419170 | 8.06 | 1.03 | 6.407 | 0.156 |
| 234 | AN34 | 041067 | W34 | 419172 | 8.66 | 1.06 | 6.782 | 0.156 |
| 236 | AN36 | 041070 | W36 | 419174 | 9.06 | 1.09 | 7.189 | 0.156 |
| 238 | AN38 | 041068 | W38 | 419176 | 9.47 | 1.12 | 7.595 | 0.156 |
| 240 | AN40 | 040838 | W40 | 419171 | 9.84 | 1.19 | 8.000 | 0.156 |
| 244 | N44 | 041069 | W44 | 419178 | 11.00 | 1.25 | 8.719 | 0.156 |

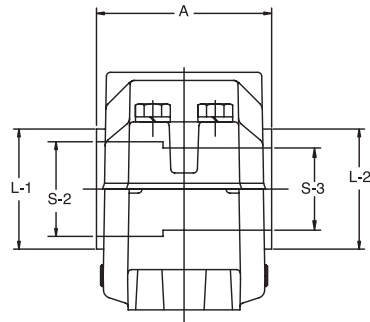
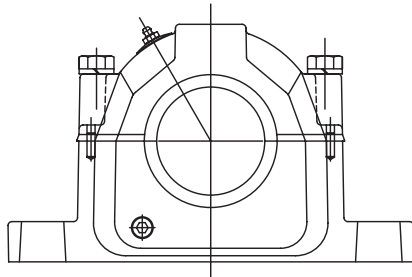
| | | | |
|---------------------------------|----------------------------|-----------------------------|-------------------------------------|
| FEATURES/BENEFITS PAGE B11-3 | HOW TO ORDER PAGE B11-9 | NOMENCLATURE PAGE B11-10 | SELECTION/DIMENSIONS PAGE B11-30 |
|---------------------------------|----------------------------|-----------------------------|-------------------------------------|



SELECTION/DIMENSIONS



USAF 300 Direct Mount Pillow Block With TRIPLE-TECT Seal Assembly



| Shaft Dia. | | Bearing Bore mm. | Complete Pillow Block Part No. | Housing Part No. ** | Bearing Part No. | Dynamic Capacity (C), lbs. † | Max Rpm (Grease) | Shaft Locknut Part No. |
|------------|---------|------------------|--------------------------------|------------------------|----------------------|------------------------------|------------------|------------------------|
| S-2 | S-3 | | | | | | | |
| 1-15/16 | 1-7/16 | 40 | P2B308-USAF-115TT 039355 | H2S-308-USAF 039717 | BRG22308C3 423124 | 29,000 | 4,300 | N08 407305 |
| 2-1/8 | 1-11/16 | 45 | P2B309-USAF-202TT 039356 | H2S-309-USAF 039719 | BRG22309C3 423125 | 35,500 | 3,800 | N09 419187 |
| 2-3/8 | 1-7/8 | 50 | P2B310-USAF-206TT 035915 | H2S-310-USAF 035437 | BRG22310C3 423143 | 42,500 | 3,400 | N10 419188 |
| 2-9/16 | 2-1/16 | 55 | P2B311-USAF-209TT 039357 | H2S-311-USAF 039721 | BRG22311C3 423126 | 50,000 | 3,200 | N11 419184 |
| | | | P4B311-USAF-209TT 039371 | H4S-311-USAF 039723 | BRG22311C3 423126 | 50,000 | 3,200 | N11 419184 |
| 2-7/8 | 2-1/4 | 60 | P2B312-USAF-214TT 039358 | H2S-312-USAF 039725 | BRG22312C3 423127 | 58,200 | 2,800 | N12 407302 |
| | | | P4B312-USAF-214TT 039372 | H4S-312-USAF 039727 | BRG22312C3 423127 | 58,200 | 2,800 | N12 407302 |
| 3-1/6 | 2-7/16 | 65 | P2B313-USAF-301TT 039359 | H2S-313-USAF 039729 | BRG22313C3 423128 | 65,500 | 2,600 | N13 419185 |
| | | | P4B313-USAF-301TT 039373 | H4S-313-USAF 039731 | BRG22313C3 423128 | 65,500 | 2,600 | N13 419185 |
| 3-1/4 | 2-5/8 | 70 | P2B314-USAF-304TT 039360 | H2S-314-USAF 039733 | BRG22314C3 423129 | 72,000 | 2,400 | N14 407036 |
| | | | P4B314-USAF-304TT 039374 | H4S-314-USAF 039735 | BRG22314C3 423129 | 72,000 | 2,400 | N14 407036 |
| 3-7/16 | 2-13/16 | 75 | P2B315-USAF-307TT 039361 | H2S-315-USAF 039737 | BRG22315C3 423130 | 83,000 | 2,200 | AN15 460901 |
| | | | P4B315-USAF-307TT 039375 | H4S-315-USAF 039739 | BRG22315C3 423130 | 83,000 | 2,200 | AN15 460901 |
| 3-5/8 | 3 | 80 | P2B316-USAF-310TT 035916 | H2S-316-USAF 035438 | BRG22316C3 423144 | 93,000 | 2,200 | AN16 460902 |
| | | | P4B316-USAF-310TT 035917 | H4S-316-USAF 035439 | BRG22316C3 423144 | 93,000 | 2,200 | AN16 460902 |
| 3-15/16 | 3-3/16 | 85 | P2B317-USAF-315TT 039362 | H2S-317-USAF 039741 | BRG22317C3 423131 | 102,000 | 2,000 | AN17 460903 |
| | | | P4B317-USAF-315TT 039376 | H4S-317-USAF 039743 | BRG22317C3 423131 | 102,000 | 2,000 | AN17 460903 |

| | | | |
|---------------------------------|----------------------------|-----------------------------|-------------------------------------|
| FEATURES/BENEFITS PAGE B11-3 | HOW TO ORDER PAGE B11-9 | NOMENCLATURE PAGE B11-10 | SELECTION/DIMENSIONS PAGE B11-30 |
|---------------------------------|----------------------------|-----------------------------|-------------------------------------|

SELECTION/DIMENSIONS



USAF 300 Direct Mount Pillow Block With TRIPLE-TECT Seal Assembly

| Shaft Dia. | | Bearing Bore mm. | Lockwasher Part No. | TRIPLE-TECT Part No. | | TTDN Part No. | | # LER Part No. | | End Cover Part No. |
|------------|---------|------------------|---------------------|----------------------|---------|---------------|-----------|----------------|----------|--------------------|
| S-2 | S-3 | | | S-2 | S-3 | S2 | S3 | S-2 | S-3 | |
| 1-15/16 | 1-7/16 | 40 | W08 | 12TT115 | 08TT107 | --- | --- | 12LER115 | 08LER107 | EC-08 |
| | | | 419151 | 043540 | 043578 | --- | --- | 042512 | 042193 | 040700 |
| 2-1/8 | 1-11/16 | 45 | W09 | 14TT202 | 10TT111 | --- | --- | 14LER202 | 10LER111 | EC-10 |
| | | | 419180 | 046464 | 043579 | --- | --- | *046472 | *042199 | 040701 |
| 2-3/8 | 1-7/8 | 50 | W10 | 18TT206 | 12TT114 | --- | --- | 18LER206 | 12LER114 | EC-12 |
| | | | 419181 | 046166 | 046167 | --- | --- | 046175 | 046176 | 040702 |
| 2-9/16 | 2-1/16 | 55 | W11 | 22TT209 | 14TT201 | 22TTDN209 | 14TTDN201 | 22LER209 | 14LER201 | EC-14 |
| | | | 419182 | 046466 | 046463 | 035748 | 035745 | *046474 | *046471 | 040703 |
| 2-7/8 | 2-1/4 | 60 | W12 | 26TT214 | 14TT204 | 26TTDN214 | 14TTDN204 | 26LER214 | 14LER204 | EC-14 |
| | | | 419008 | 046468 | 046465 | 035750 | 035747 | 046476 | 046473 | 040703 |
| 3-1/6 | 2-7/16 | 65 | W13 | 28TT301 | 22TT207 | 28TTDN301 | 22TTDN207 | 28LER301 | 22LER207 | --- |
| | | | 419183 | 046469 | 046168 | 035751 | 035744 | *046477 | *046177 | --- |
| 3-1/4 | 2-5/8 | 70 | W14 | 32TT304 | 22TT210 | 32TTDN304 | 22TTDN210 | 32LER304 | 22LER210 | --- |
| | | | 419153 | 046470 | 046467 | 035752 | 035749 | 046478 | 046475 | --- |
| 3-7/16 | 2-13/16 | 75 | W15 | 33TT307 | 24TT213 | 33TTDN307 | 24TTDN213 | 33LER307 | 24LER213 | EC24 |
| | | | 419150 | 046401 | 046400 | 039568 | 039289 | *045928 | *045927 | 040705 |
| 3-5/8 | 3 | 80 | W16 | 38TT310 | 28TT300 | 38TTDN310 | 28TTDN300 | 38LER310 | 28LER300 | EC28 |
| | | | 419152 | 046402 | 042547 | 039291 | 039857 | 045931 | 042519 | 040706 |
| 3-15/16 | 3-3/16 | 85 | W17 | 42TT315 | 32TT303 | 42TTDN315 | 32TTDN303 | 42LER315 | 32LER303 | --- |
| | | | 419154 | 046404 | 046403 | 039515 | 039292 | 042089 | 042088 | --- |
| 3-15/16 | 3-3/16 | 85 | W17 | 42TT315 | 32TT303 | 42TTDN315 | 32TTDN303 | 42LER315 | 32LER303 | --- |
| | | | 419154 | 046404 | 046403 | 039515 | 039292 | 042089 | 042088 | --- |

NOTE: LER seals are made from Aluminum unless otherwise noted by the * symbol.
If an * appears by the part number, the LER seal is manufactured from Steel.

| | | | |
|---------------------------------|----------------------------|-----------------------------|-------------------------------------|
| FEATURES/BENEFITS PAGE B11-3 | HOW TO ORDER PAGE B11-9 | NOMENCLATURE PAGE B11-10 | SELECTION/DIMENSIONS PAGE B11-30 |
|---------------------------------|----------------------------|-----------------------------|-------------------------------------|



SELECTION/DIMENSIONS



USAF 300 Direct Mount Pillow Block With TRIPLE-TECT Seal Assembly

| Shaft Dia. | | Bearing Bore mm. | Complete Pillow Block Part No. | Housing Part No. ** | Bearing Part No. | Dynamic Capacity (C), lbs. | Max Rpm (Grease) | Locknut Part No. |
|------------|---------|------------------|--------------------------------|------------------------|----------------------|----------------------------|------------------|------------------|
| S-2 | S-3 | | | | | | | |
| 4-1/2 | 3-13/16 | 100 | P4B320-USAF-408TT 039377 | H4S-320-USAF 039745 | BRG22320C3 423132 | 146,000 | 1,700 | AN204 060905 |
| 4-7/8 | 4-3/16 | 110 | P4B322-USAF-414TT 039378 | H4S-322-USAF 039747 | BRG22322C3 423133 | 180,000 | 1,500 | AN224 060906 |
| 5-5/16 | 4-9/16 | 120 | P4B324-USAF-505TT 039380 | H4S-324-USAF 039749 | BRG22324C3 423134 | 204,000 | 1,400 | AN24 041071 |
| 5-7/8 | 4-15/16 | 130 | P4B326-USAF-514TT 039381 | H4S-326-USAF 039750 | BRG22326C3 423135 | 236,000 | 1,300 | AN26 041064 |
| 6-1/4 | 5-5/16 | 140 | P4B328-USAF-604TT 039382 | H4S-328-USAF 039751 | BRG22328C3 423136 | 275,000 | 1,200 | AN28 041065 |
| 6-5/8 | 5-3/4 | 150 | P4B330-USAF-610TT 039383 | H4S-330-USAF 039752 | BRG22330C3 423137 | 310,000 | 1,100 | AN30 041072 |
| 7 | 6-1/16 | 160 | P4B332-USAF-700TT 039384 | H4S-332-USAF 039753 | BRG22332C3 423138 | 325,000 | 1,000 | AN32 041066 |
| 7-7/16 | 6-7/16 | 170 | P4B334-USAF-707TT 039385 | H4S-334-USAF 039754 | BRG22334C3 423139 | 360,000 | 950 | AN34 041067 |
| 8-3/8 | 7-1/4 | 190 | P4B338-USAF-806TT 039386 | H4S-338-USAF 039755 | BRG22338C3 423140 | 415,000 | 850 | AN38 041068 |

IMPERIAL - USAF

UNIFIED SAF

International Bearings

Sleeve Bearing

SLEEVOLT

| | | | |
|---------------------------------|----------------------------|-----------------------------|-------------------------------------|
| FEATURES/BENEFITS PAGE B11-3 | HOW TO ORDER PAGE B11-9 | NOMENCLATURE PAGE B11-10 | SELECTION/DIMENSIONS PAGE B11-30 |
|---------------------------------|----------------------------|-----------------------------|-------------------------------------|

SELECTION/DIMENSIONS



USAF 300 Direct Mount Pillow Block With TRIPLE-TECT Seal Assembly

| Shaft Dia. | | Bearing Bore mm. | Lock-washer Part No. | TRIPLE-TECT Part No. | | TTDN Part No. | | # LER Part No. | | End Cover Part No. |
|------------|---------|------------------|----------------------|----------------------|-------------------|---------------------|---------------------|---------------------|---------------------|--------------------|
| S2 | S3 | | | S-2 | S-3 | S-2 | S-3 | S2 | S3 | |
| 4-1/2 | 3-13/16 | 100 | W20 419158 | 54TT408 043555 | 50TT313 046407 | --- | --- | 54LER408 042527 | 50LER313 045939 | EC50 040709 |
| 4-7/8 | 4-3/16 | 110 | W22 419160 | 56TT414 046408 | 52TT403 043553 | 56TTDN414 039297 | 52TTDN403 039863 | 56LER414 042098 | 52LER403 042525 | EC52 040710 |
| 5-5/16 | 4-9/16 | 120 | W24 419162 | 58TT510 046411 | 54TT409 046409 | --- | --- | 58LER510 042248 | 54LER409 042943 | EC54 040711 |
| 5-7/8 | 4-15/16 | 130 | W26 419164 | 62TT514 046410 | 56TT415 043556 | --- | --- | 62LER514 042085 | 56LER415 042528 | EC56 040712 |
| 6-1/4 | 5-5/16 | 140 | W28 419166 | 66TT604 046412 | 58TT505 046411 | --- | --- | 66LER604 042249 | 58LER505 042248 | EC58 040713 |
| 6-5/8 | 5-3/4 | 150 | W30 419168 | 70TT610 046414 | 62TT512 046413 | --- | --- | 70LER610 045951 | 62LER512 045949 | --- |
| 7 | 6-1/16 | 160 | W32 419170 | 72TT700 043565 | 64TT601 046415 | --- | --- | 72LER700 042538 | 64LER601 042953 | EC64 040681 |
| 7-7/16 | 6-7/16 | 170 | W34 419172 | 76TT707 046416 | 68TT607 043562 | --- | --- | 76LER707 042049 | 68LER607 042535 | EC68 040682 |
| 8-3/8 | 7-1/4 | 190 | W38 419176 | 80TT806 046420 | 74TT704 046419 | --- | --- | 80LER806 *042031 | 74LER704 *042032 | --- |

NOTE: LER seals are made from Aluminum unless otherwise noted by the * symbol.
If an * appears by the part number, the LER seal is manufactured from Steel.

IMPERIAL - ISAF

UNIFIED SAF

International Bearings

Sleeve Bearing

SLEEVOIL

| | | | |
|---------------------------------|----------------------------|-----------------------------|-------------------------------------|
| FEATURES/BENEFITS PAGE B11-3 | HOW TO ORDER PAGE B11-9 | NOMENCLATURE PAGE B11-10 | SELECTION/DIMENSIONS PAGE B11-30 |
|---------------------------------|----------------------------|-----------------------------|-------------------------------------|

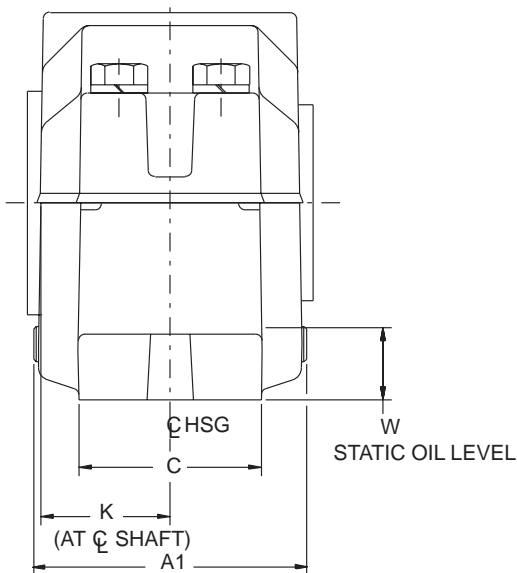
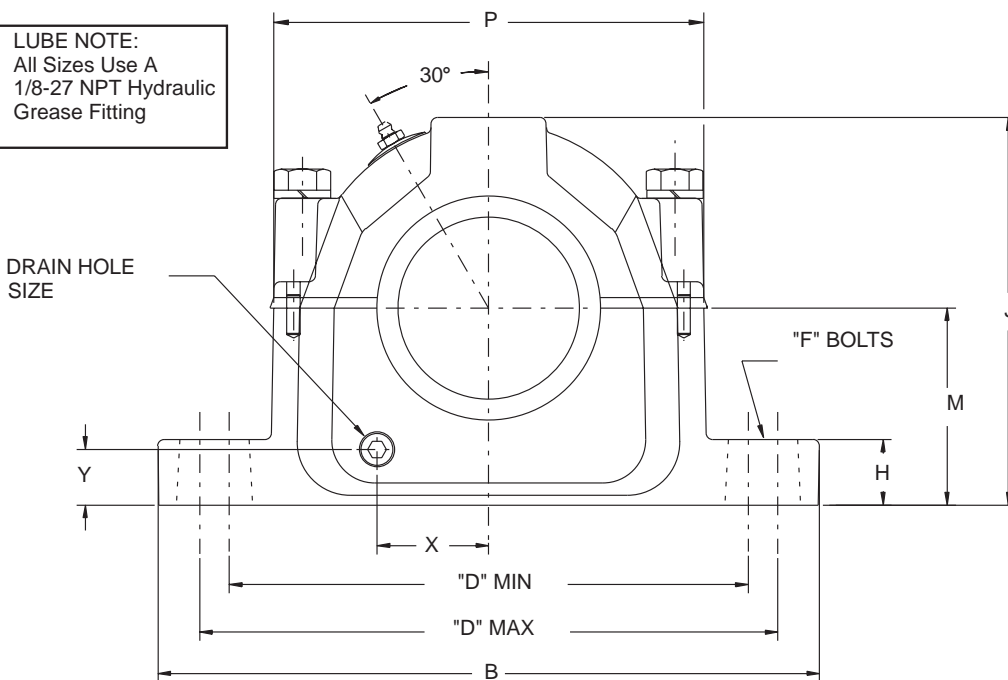


SELECTION/DIMENSIONS



USAF 300 Housing Dimensions - Inch

LUBE NOTE:
All Sizes Use A
1/8-27 NPT Hydraulic
Grease Fitting



IMPERIAL - ISAF

UNIFIED SAF

International Bearings

Sleeve Bearing

SLEEVOIL

| | | | |
|---------------------------------|----------------------------|-----------------------------|-------------------------------------|
| FEATURES/BENEFITS PAGE B11-3 | HOW TO ORDER PAGE B11-9 | NOMENCLATURE PAGE B11-10 | SELECTION/DIMENSIONS PAGE B11-30 |
|---------------------------------|----------------------------|-----------------------------|-------------------------------------|

SELECTION/DIMENSIONS



USAF 300 Housing Dimensions - Inch

| S-2 Shaft Size | S-3 Shaft Size | Housing | A1 ▲ | B | C | D | | | | E | F | |
|----------------|----------------|---------|----------|----------|---------|--------|--------|--------|--------|-------|-----------|--------|
| | | | | | | 2-Bolt | | 4-Bolt | | | Bolt Dia. | |
| | | | | | | Min | Max | Min | Max | | 2-Bolt | 4-Bolt |
| 1-15/16 | 1-7/16 | 308 | 4-1/16 | 8-1/4 | 2-11/32 | 6-1/2 | 7 | - | - | - | 1/2 | - |
| 2-1/8 | 1-11/16 | 309 | 4-1/4 | 9-5/8 | 2-3/4 | 7-3/8 | 8-1/4 | - | - | - | 5/8 | - |
| 2-3/8 | 1-7/8 | 310 | 4-45/64 | 10-5/8 | 2-3/4 | 7-3/4 | 9 | - | - | - | 5/8 | - |
| 2-9/16 | 2-1/16 | 311 | 4-41/64 | 11 | 3-1/8 | 8-1/8 | 9-1/2 | 8-1/8 | 9-1/2 | 1-7/8 | 5/8 | 1/2 |
| 2-7/8 | 2-1/4 | 312 | 5-13/64 | 11-1/8 | 3-1/8 | 8-5/8 | 9-5/8 | 8-5/8 | 9-5/8 | 1-7/8 | 5/8 | 1/2 |
| 3-1/16 | 2-7/16 | 313 | 5-7/16 | 12-19/32 | 3-1/2 | 9-5/8 | 11 | 9-5/8 | 11 | 2-1/8 | 3/4 | 5/8 |
| 3-1/4 | 2-5/8 | 314 | 5-25/64 | 12-19/32 | 3-1/2 | 9-7/8 | 11 | 9-7/8 | 11 | 2-1/8 | 3/4 | 5/8 |
| 3-7/16 | 2-13/16 | 315 | 6-5/32 | 13-5/8 | 3-7/8 | 10-1/4 | 11-3/4 | 10-3/8 | 11-5/8 | 2-1/8 | 3/4 | 5/8 |
| 3-5/8 | 3 | 316 | 6-3/8 | 14-11/64 | 3-7/8 | 10-7/8 | 12-3/8 | 10-5/8 | 12-1/2 | 2-1/8 | 3/4 | 5/8 |
| 3-15/16 | 3-3/16 | 317 | 6-25/32 | 15-23/64 | 4-11/32 | 11-5/8 | 13-1/8 | 11-5/8 | 13-1/8 | 2-3/8 | 7/8 | 3/4 |
| 4-1/2 | 3-13/16 | 320 | 8-3/64 | 16-1/2 | 4-23/32 | - | - | 13-1/4 | 14-1/2 | 2-3/4 | - | 3/4 |
| 4-7/8 | 4-3/16 | 322 | 8-17/64 | 18-3/8 | 5-1/8 | - | - | 14-1/2 | 16 | 3-1/4 | - | 7/8 |
| 5-5/16 | 4-9/16 | 324 | 9-23/64 | 20-7/8 | 6-1/4 | - | - | 16-3/4 | 18-1/4 | 3-3/4 | - | 1 |
| 5-7/8 | 4-15/16 | 326 | 9-59/64 | 21-21/32 | 6-1/4 | - | - | 17-3/8 | 19-1/4 | 3-3/4 | - | 1 |
| 6-1/4 | 5-5/16 | 328 | 9-29/32 | 24-3/4 | 6-3/4 | - | - | 19-3/8 | 21-5/8 | 4-1/4 | - | 1 |
| 6-5/8 | 5-3/4 | 330 | 10-13/32 | 26-3/4 | 7-1/8 | - | - | 20-7/8 | 23-5/8 | 4-5/8 | - | 1 |
| 7 | 6-1/16 | 332 | 10-13/16 | 28 | 7-1/2 | - | - | 21-5/8 | 24-3/8 | 4-1/2 | - | 1-1/4 |
| 7-7/16 | 6-7/16 | 334 | 11-17/32 | 28-3/4 | 8 | - | - | 22-1/2 | 25 | 5 | - | 1-1/4 |
| 8-3/8 | 7-1/4 | 338 | 12-19/64 | 32-3/4 | 8-7/8 | - | - | 24-3/4 | 27-7/8 | 5-1/4 | - | 1-1/2 |

| S-2 Shaft Size | S-3 Shaft Size | Housing | H | J | K | M | P | Q ★ | S ● | W Static Oil Level | X | Y | Drain Hole Size |
|----------------|----------------|---------|---------|----------|---------|---------|----------|---------|------|--------------------|---------|---------|-----------------|
| 1-15/16 | 1-7/16 | 308 | 1-1/32 | 4-37/64 | 1-7/8 | 2-1/2 | 5-1/8 | 1-11/64 | 1/8 | 1-3/16 | 1-1/4 | 13/16 | 1/8-27NPSI |
| 2-1/8 | 1-11/16 | 309 | 1-1/32 | 5-1/4 | 1-31/32 | 2-3/4 | 5-25/32 | 1-15/64 | 1/8 | 1-9/32 | 1-15/16 | 53/64 | 1/8-27NPSI |
| 2-3/8 | 1-7/8 | 310 | 1-13/32 | 5-23/32 | 2-13/64 | 3 | 6-1/8 | 1-3/8 | 7/32 | 1-3/8 | 1-17/32 | 63/64 | 1/8-27NPSI |
| 2-9/16 | 2-1/16 | 311 | 1-1/32 | 5-15/16 | 2-5/32 | 3 | 6-1/2 | 1-27/64 | 1/8 | 1-7/16 | 1-21/32 | 25/32 | 1/8-27NPSI |
| 2-7/8 | 2-1/4 | 312 | 1-1/4 | 6-7/16 | 2-5/16 | 3-1/4 | 7-1/16 | 1-33/64 | 1/8 | 1-5/16 | 1-25/32 | 7/8 | 1/4-18NPSF |
| 3-1/16 | 2-7/16 | 313 | 1-1/16 | 6-3/4 | 2-27/64 | 3-1/2 | 7-15/16 | 1-37/64 | 3/16 | 1-13/32 | 1-31/32 | 61/64 | 1/4-18NPSF |
| 3-1/4 | 2-5/8 | 314 | 1-1/4 | 7-3/8 | 2-15/32 | 3-3/4 | 8-3/16 | 1-41/64 | 3/16 | 1-15/32 | 2-1/8 | 1-1/16 | 3/8-18NPSF |
| 3-7/16 | 2-13/16 | 315 | 1-7/16 | 7-3/4 | 2-27/32 | 4 | 8-21/32 | 1-49/64 | 3/16 | 1-19/32 | 2-1/4 | 1-1/8 | 3/8-18NPSF |
| 3-5/8 | 3 | 316 | 1-7/32 | 8-1/4 | 2-61/64 | 4-1/4 | 9-1/32 | 1-53/64 | 3/16 | 1-11/16 | 2-3/8 | 1-11/64 | 3/8-18NPSF |
| 3-15/16 | 3-3/16 | 317 | 1-21/32 | 8-3/4 | 3-5/32 | 4-1/2 | 9-25/32 | 1-29/32 | 3/16 | 1-3/4 | 2-5/8 | 1-1/4 | 3/8-18NPSF |
| 4-1/2 | 3-13/16 | 320 | 1-1/2 | 10-1/4 | 3-41/64 | 5-1/4 | 11-1/4 | 2-19/64 | 3/16 | 2-1/32 | 3-3/16 | 1-3/8 | 1/2-14NPSF |
| 4-7/8 | 4-3/16 | 322 | 2-1/16 | 11-17/32 | 3-3/4 | 6 | 12-13/32 | 2-1/2 | 3/16 | 2-13/32 | 3-5/16 | 1-5/8 | 1/2-14NPSF |
| 5-5/16 | 4-9/16 | 324 | 2-3/8 | 12-1/2 | 4-21/64 | 6-5/16 | 14-5/16 | 2-41/64 | 3/16 | 2-3/8 | 3-19/32 | 1-21/64 | 1/2-14NPSF |
| 5-7/8 | 4-15/16 | 326 | 2-11/32 | 13-5/16 | 4-5/8 | 6-11/16 | 14-29/32 | 2-27/32 | 3/16 | 2-7/16 | 4-1/32 | 1-21/64 | 1/2-14NPSF |
| 6-1/4 | 5-5/16 | 328 | 2-7/8 | 14-9/16 | 4-5/8 | 7-1/16 | 16-13/16 | 3-3/32 | 3/16 | 2-9/16 | 4-5/32 | 1-21/64 | 1/2-14NPSF |
| 6-5/8 | 5-3/4 | 330 | 3 | 15-1/8 | 4-7/8 | 7-1/2 | 17-3/16 | 3-17/64 | 3/16 | 2-5/8 | 4-7/32 | 1-5/8 | 1/2-14NPSF |
| 7 | 6-1/16 | 332 | 3-1/8 | 15-13/16 | 5-1/16 | 7-7/8 | 18 | 3-7/16 | 3/16 | 2-11/16 | 4-3/4 | 1-39/64 | 1/2-14NPSF |
| 7-7/16 | 6-7/16 | 334 | 3-3/8 | 16-5/8 | 5-7/16 | 8-1/4 | 19 | 3-19/32 | 3/16 | 2-3/4 | 4-29/32 | 1-17/32 | 1/2-14NPSF |
| 8-3/8 | 7-1/4 | 338 | 3-3/4 | 18-7/8 | 5-13/16 | 9-1/2 | 21-1/4 | 3-57/64 | 3/16 | 3-3/8 | 5-7/16 | 2-1/32 | 1/2-14NPSF |

- ▲ Housing width with drain plugs. Length thru bore page B11-122.
- ★ Distance shaft should extend beyond housing centerline if pillow block is closed end style
- Non-expansion bearing offset from centerline. For expansion bearing S = 0.

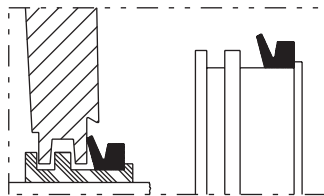
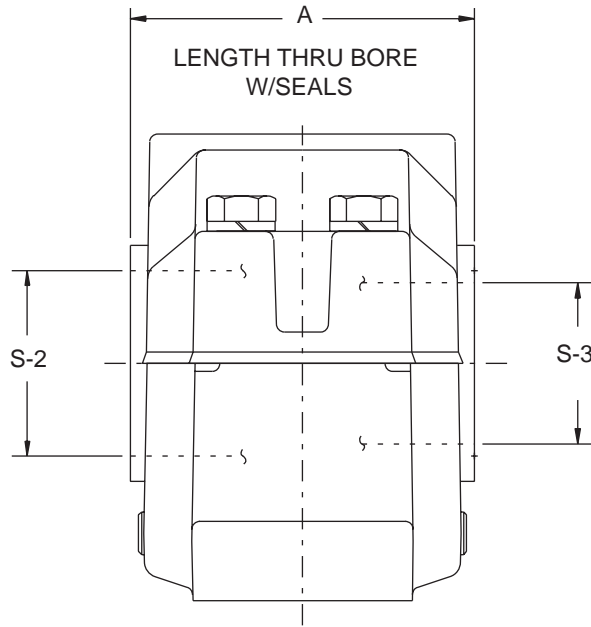
| | | | |
|---------------------------------|----------------------------|-----------------------------|-------------------------------------|
| FEATURES/BENEFITS PAGE B11-3 | HOW TO ORDER PAGE B11-9 | NOMENCLATURE PAGE B11-10 | SELECTION/DIMENSIONS PAGE B11-30 |
|---------------------------------|----------------------------|-----------------------------|-------------------------------------|



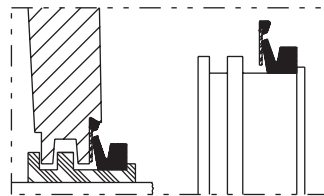
SELECTION/DIMENSIONS



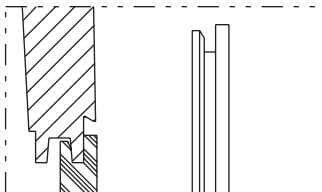
USAF 300 Pillow Block Seals



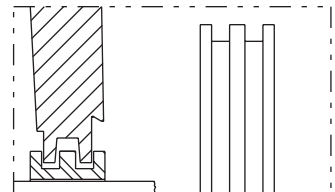
TRIPLE-TECT Seal
General purpose seal for wet or dirty environments



DROP-IN TRIPLE-TECT Seal
DODGE exclusive. Popular TRIPLE-TECT features simplify installation.



END COVER Seal
Allows use of open shaft housing as closed-end



LER Seal
High speed seal for relatively clean environments

FEATURES/BENEFITS
PAGE B11-3

HOW TO ORDER
PAGE B11-9

NOMENCLATURE
PAGE B11-10

SELECTION/DIMENSIONS
PAGE B11-30

SELECTION/DIMENSIONS



USAF 300 Pillow Block Seals

| S-2 Shaft Size (Inch) | S-3 Shaft Size (Inch) | Housing | Seal Group | | Part Number | | | | | | A | | | |
|-----------------------|-----------------------|---------|------------|----|------------------|--------|----------------------------|--------|-------------------------|---------|-----------|-----------|-------------|------------|
| | | | | | TRIPLE-TECT (TT) | | TRIPLE-TECT Drop-In (TTDN) | | # Metal Labyrinth (LER) | | End Cover | TT (Inch) | TTDN (Inch) | LER (Inch) |
| | | | | | S-2 | S-3 | S-2 | S-3 | S-2 | S-3 | | | | |
| 1-15/16 | 1-7/16 | 308 | 12 | 8 | 043540 | 043578 | - | - | 042512 | 042193 | 040700 | 4-3/16 | - | 3-41/64 |
| 2-1/8 | 1-11/16 | 309 | 14 | 10 | 046464 | 043579 | - | - | *046472 | *042199 | 040701 | 4-23/64 | - | 3-53/64 |
| 2-3/8 | 1-7/8 | 310 | 18 | 12 | 046166 | 046167 | - | - | 046175 | 046176 | 040702 | 4-13/16 | - | 4-9/32 |
| 2-9/16 | 2-1/16 | 311 | 22 | 14 | 046466 | 046463 | 035748 | 035745 | *046474 | *046471 | 040703 | 4-51/64 | 4-51/64 | 4-3/16 |
| 2-7/8 | 2-1/4 | 312 | 26 | 14 | 046468 | 046465 | 035750 | 035747 | 046476 | 046473 | 040703 | 5-1/64 | 5-1/64 | 4-27/64 |
| 3-1/16 | 2-7/16 | 313 | 28 | 22 | 046469 | 046168 | 035751 | 035744 | *046477 | *046177 | - | 5-11/32 | 5-11/32 | 4-11/16 |
| 3-1/4 | 2-5/8 | 314 | 32 | 22 | 046470 | 046467 | 035752 | 035749 | 046478 | 046475 | - | 5-7/16 | 5-7/16 | 4-51/64 |
| 3-7/16 | 2-13/16 | 315 | 38 | 24 | 046401 | 046400 | 039290 | 039289 | *045928 | *045927 | 040705 | 6-13/64 | 6-13/64 | 5-19/32 |
| 3-5/8 | 3 | 316 | 38 | 28 | 046402 | 043547 | 039291 | 039857 | 045931 | 042519 | 040706 | 6-27/64 | 6-27/64 | 5-13/16 |
| 3-15/16 | 3-3/16 | 317 | 42 | 32 | 046404 | 046403 | 039515 | 039292 | 042089 | 042088 | - | 6-25/64 | 6-25/32 | 6-11/64 |
| 4-1/2 | 3-13/16 | 320 | 54 | 50 | 043555 | 046407 | - | - | 042527 | 045939 | 040709 | 7-55/64 | - | 7-21/64 |
| 4-7/8 | 4-3/16 | 322 | 56 | 52 | 046408 | 043553 | 039297 | 039863 | 042098 | 042525 | 040710 | 8-3/32 | 8-3/32 | 7-1/2 |
| 5-5/16 | 4-9/16 | 324 | 58 | 54 | 046411 | 046409 | - | - | 042248 | 045943 | 040711 | 9-9/32 | - | 8-11/16 |
| 5-7/8 | 4-15/16 | 326 | 62 | 56 | 046410 | 043556 | - | - | 042085 | 042528 | 040712 | 9-27/32 | - | 9-13/64 |
| 6-1/4 | 5-5/16 | 328 | 66 | 58 | 046412 | 046411 | - | - | 042249 | 042248 | 040713 | 9-25/32 | - | 9-1/8 |
| 6-5/8 | 5-3/4 | 330 | 70 | 62 | 046414 | 046413 | - | - | 045951 | 045949 | - | 10-25/64 | - | 9-45/64 |
| 7 | 6-1/16 | 332 | 72 | 64 | 043565 | 046415 | - | - | *042538 | *045953 | 040681 | 10-11/16 | - | 9-63/64 |
| 7-7/16 | 6-7/16 | 334 | 76 | 68 | 046416 | 043562 | - | - | 042049 | 042535 | 040682 | 11-7/16 | - | 10-47/64 |
| 8-3/8 | 7-1/4 | 338 | 80 | 74 | 046420 | 046419 | - | - | 042031 | 042032 | - | 12-7/16 | - | 11-45/64 |

NOTE: LER seals are made from Aluminum unless otherwise noted by the * symbol.

If an * appears by the part number, the LER seal is manufactured from Steel.

IMPERIAL - ISAF

UNIFIED SAF

International Bearings

Sleeve Bearing

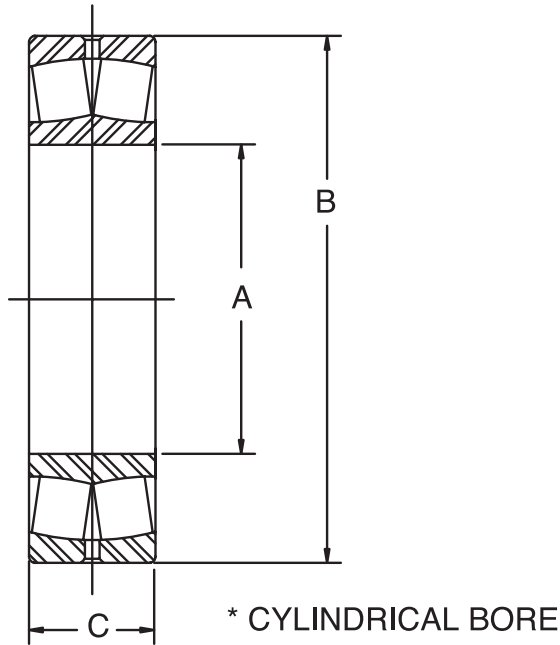
SLEEVOIL

| | | | |
|---------------------------------|----------------------------|-----------------------------|-------------------------------------|
| FEATURES/BENEFITS PAGE B11-3 | HOW TO ORDER PAGE B11-9 | NOMENCLATURE PAGE B11-10 | SELECTION/DIMENSIONS PAGE B11-30 |
|---------------------------------|----------------------------|-----------------------------|-------------------------------------|

SELECTION/DIMENSIONS



USAF 22300 Spherical Roller Bearings



| | | | |
|---------------------------------|----------------------------|-----------------------------|-------------------------------------|
| FEATURES/BENEFITS PAGE B11-3 | HOW TO ORDER PAGE B11-9 | NOMENCLATURE PAGE B11-10 | SELECTION/DIMENSIONS PAGE B11-30 |
|---------------------------------|----------------------------|-----------------------------|-------------------------------------|

SELECTION/DIMENSIONS



USAF 22300 Spherical Roller Bearings

IMPERIAL - ISAF

UNIFIED SAF

International Bearings

Sleeve Bearing

SLEEVOIL

| Shaft Size Under Brg. mm | Housing | Bearing No | Part No | Approx. Wt (Lbs.) | A | B | C |
|--------------------------------|---------|------------|---------------|-------------------------|--------------|---------------|--------------|
| | | | | | Inch | Inch | Inch |
| 40 | 308 | 22308 | 423124 | 2.3 | 1.5748 (40) | 3.5433 (90) | 1.2992 (33) |
| 45 | 309 | 22309 | 423125 | 3.0 | 1.7717 (45) | 3.9370 (100) | 1.4173 (36) |
| 50 | 310 | 22310 | 423143 | 3.9 | 1.9685 (50) | 4.3307 (110) | 1.5758 (40) |
| 55 | 311 | 22311 | 423126 | 5.1 | 2.1654 (55) | 4.7244 (120) | 1.6929 (43) |
| 60 | 312 | 22312 | 423127 | 6.5 | 2.3622 (60) | 5.1181 (130) | 1.8110 (46) |
| 65 | 313 | 22313 | 423128 | 7.8 | 2.5591 (65) | 5.5118 (140) | 1.8898 (48) |
| 70 | 314 | 22314 | 423129 | 9.3 | 2.7559 (70) | 5.9055 (150) | 2.0079 (51) |
| 75 | 315 | 22315 | 423130 | 11.5 | 2.9528 (75) | 6.2992 (160) | 2.1654 (55) |
| 80 | 316 | 22316 | 423144 | 13.1 | 3.1496 (80) | 6.6929 (170) | 2.2835 (58) |
| 85 | 317 | 22317 | 423131 | 15.7 | 3.3465 (85) | 7.0866 (180) | 2.3622 (60) |
| 100 | 320 | 22320 | 423132 | 28.0 | 3.9370 (100) | 8.4646 (215) | 2.8740 (73) |
| 110 | 322 | 22322 | 423133 | 38.8 | 4.3307 (110) | 9.4488 (240) | 3.1496 (80) |
| 120 | 324 | 22324 | 423134 | 48.3 | 4.7244 (120) | 10.2362 (260) | 3.3858 (86) |
| 130 | 326 | 22326 | 423135 | 59.7 | 5.1181 (130) | 11.0236 (280) | 3.6614 (93) |
| 140 | 328 | 22328 | 423136 | 75.4 | 5.5118 (140) | 11.8110 (300) | 4.0157 (102) |
| 150 | 330 | 2230 | 423137 | 90.4 | 5.9055 (150) | 12.5984 (320) | 4.2520 (108) |
| 160 | 332 | 22332 | 423138 | 113.0 | 6.2992 (160) | 13.3858 (350) | 4.4882 (114) |
| 170 | 334 | 22334 | 423139 | 132.0 | 6.6929 (170) | 14.1732 (360) | 4.7244 (120) |
| 190 | 338 | 22338 | 423140 | 179.0 | 7.4803 (190) | 15.7480 (400) | 5.1969 (132) |

| | | | |
|---------------------------------|----------------------------|-----------------------------|-------------------------------------|
| FEATURES/BENEFITS PAGE B11-3 | HOW TO ORDER PAGE B11-9 | NOMENCLATURE PAGE B11-10 | SELECTION/DIMENSIONS PAGE B11-30 |
|---------------------------------|----------------------------|-----------------------------|-------------------------------------|



SELECTION/DIMENSIONS



USAF 300 Series Bearing Shaft Details



| Nominal Bearing Bore Dia. (mm) | Shaft Bearing Seat Diameters (Inch) | | | | | |
|--------------------------------|-------------------------------------|--------|----------|-----------|--------|----------|
| | Normal Load | | | High Load | | Mean Fit |
| | * S-1 | | Mean Fit | * S-1 | | |
| | Max | Min | | Max | Min | |
| 40 | 1.5758 | 1.5752 | .0009T | 1.5761 | 1.5655 | .0012T |
| 45 | 1.7727 | 1.7721 | | 1.7730 | 1.7724 | |
| 50 | 1.9697 | 1.9689 | .0011T | 1.9700 | 1.9693 | .0014T |
| 55 | 2.1666 | 2.1658 | | 2.1669 | 2.1662 | |
| 60 | 2.3634 | 2.3626 | | 2.3637 | 2.3630 | |
| 65 | 2.5603 | 2.5595 | | 2.5606 | 2.5599 | |
| 70 | 2.7571 | 2.7563 | | 2.7574 | 2.7567 | |
| 75 | 2.9540 | 2.9532 | | 2.9543 | 2.9536 | |
| 80 | 3.1508 | 3.1501 | .0012T | 3.1511 | 3.1504 | .0015T |
| 85 | 3.3479 | 3.3470 | .0014T | 3.3484 | 3.3475 | .0019T |
| 100 | 3.9384 | 3.9375 | | 3.9389 | 3.9380 | |
| 110 | 4.3321 | 4.3312 | | 4.3326 | 4.3317 | |
| 120 | 4.7258 | 4.7249 | | 4.7263 | 4.7254 | |
| 130 | 5.1197 | 5.1187 | .0016T | 5.1203 | 5.1193 | .0022T |
| 140 | 5.5134 | 5.5124 | | 5.5140 | 5.5130 | |
| 150 | 5.9071 | 5.9061 | | 5.9077 | 5.9067 | |
| 160 | 6.3008 | 6.2998 | | 6.3014 | 6.3004 | |
| 170 | 6.6945 | 6.6935 | | 6.6951 | 6.6941 | |
| 190 | 7.4821 | 7.4809 | .0019T | 7.4829 | 7.4817 | .0026T |

Normal Load
P/C = 0.10 TO 0.18

High Load
P/C > 0.18

Where P = Equivalent dynamic load on the bearing (lbs.)
C = Basic dynamic load rating of bearing (lbs.)

| | | | |
|---------------------------------|----------------------------|-----------------------------|-------------------------------------|
| FEATURES/BENEFITS PAGE B11-3 | HOW TO ORDER PAGE B11-9 | NOMENCLATURE PAGE B11-10 | SELECTION/DIMENSIONS PAGE B11-30 |
|---------------------------------|----------------------------|-----------------------------|-------------------------------------|

SELECTION/DIMENSIONS



USAF 300 Series Bearing Shaft Details

| Housing | Locknut & Washer Kit Part No. | A Brg Bore | S-2 | S-3 | Keyway | | | |
|---------|-------------------------------|-----------------|---------|---------|------------------|------------------|---------------------|--------------|
| | | | | | F Depth +1/64 -0 | H Width +1/64 -0 | K Full Depth Length | R Max Radius |
| 308 | 046751 | 1.5748 (40 mm) | 1-15/16 | 1-7/16 | 3/32 | 5/16 | 21/32 | 0.059 |
| 309 | 046752 | 1.7717 (45 mm) | 2-1/8 | 1-11/16 | 3/32 | 5/16 | 11/16 | 0.059 |
| 310 | 046753 | 1.9685 (50 mm) | 2-3/8 | 1-7/8 | 3/32 | 5/16 | 3/4 | 0.079 |
| 311 | 046754 | 2.1654 (55 mm) | 2-9/16 | 2-1/16 | 1/8 | 5/16 | 3/4 | 0.079 |
| 312 | 046772 | 2.3622 (60 mm) | 2-7/8 | 2-1/4 | 1/8 | 5/16 | 25/32 | 0.079 |
| 313 | 046755 | 2.5591 (65 mm) | 3-1/16 | 2-7/16 | 1/8 | 5/16 | 13/16 | 0.079 |
| 314 | 046773 | 2.7559 (70 mm) | 3-1/4 | 2-5/8 | 1/8 | 5/16 | 29/32 | 0.079 |
| 315 | 046756 | 2.9528 (75 mm) | 3-7/16 | 2-13/16 | 1/8 | 5/16 | 15/16 | 0.079 |
| 316 | 046757 | 3.1496 (80 mm) | 3-5/8 | 3 | 1/8 | 3/8 | 15/16 | 0.079 |
| 317 | 046758 | 3.3465 (85 mm) | 3-15/16 | 3-3/16 | 1/8 | 3/8 | 31/32 | 0.098 |
| 320 | 046760 | 3.9370 (100 mm) | 4-1/2 | 3-13/16 | 5/32 | 3/8 | 1-3/16 | 0.098 |
| 322 | 046761 | 4.3307 (110 mm) | 4-7/8 | 4-3/16 | 3/16 | 3/8 | 1-7/32 | 0.098 |
| 324 | 046762 | 4.7244 (120 mm) | 5-5/16 | 4-9/16 | 3/16 | 3/8 | 1-1/4 | 0.098 |
| 326 | 046763 | 5.1181 (130 mm) | 5-7/8 | 4-15/16 | 3/16 | 1/2 | 1-5/16 | 0.118 |
| 328 | 046764 | 5.5118 (140 mm) | 6-1/4 | 5-5/16 | 3/16 | 5/8 | 1-3/8 | 0.118 |
| 330 | 046765 | 5.9055 (150 mm) | 6-5/8 | 5-3/4 | 7/32 | 5/8 | 1-1/2 | 0.118 |
| 332 | 046766 | 6.2992 (160 mm) | 7 | 6-1/16 | 15/64 | 5/8 | 1-9/16 | 0.118 |
| 334 | 046767 | 6.6929 (170 mm) | 7-7/16 | 6-7/16 | 15/64 | 3/4 | 1-19/32 | 0.118 |
| 338 | 046769 | 7.4803 (190 mm) | 8-3/8 | 7-1/4 | 15/64 | 3/4 | 1-21/32 | 0.157 |

| Housing | Threads Per Inch | B Thread Major Dia | | D Thread Pitch Dia | | C Thread Length +1/64 -0 | I Thread Relief +1/64 -0 | P† Thread Relief Dia. |
|---------|------------------|--------------------|--------|--------------------|--------|--------------------------|--------------------------|-----------------------|
| | | Max | Min | Max | Min | | | |
| | | 308 | 18 | 1.5630 | 1.5548 | | | |
| 309 | 18 | 1.7670 | 1.7588 | 1.7309 | 1.7204 | 17/32 | 1/8 | 1.6832 |
| 310 | 18 | 1.9670 | 1.9588 | 1.9309 | 1.9264 | 19/32 | 1/8 | 1.8832 |
| 311 | 18 | 2.1570 | 2.1488 | 2.1209 | 2.1159 | 19/32 | 1/8 | 2.0732 |
| 312 | 18 | 2.3600 | 2.3518 | 2.3239 | 2.3188 | 5/8 | 1/8 | 2.2762 |
| 313 | 18 | 2.5480 | 2.5398 | 2.5119 | 2.5068 | 21/32 | 1/8 | 2.4642 |
| 314 | 18 | 2.7510 | 2.7428 | 2.7149 | 2.7098 | 21/32 | 1/8 | 2.6672 |
| 315 | 12 | 2.9330 | 2.9218 | 2.8789 | 2.8735 | 11/16 | 5/32 | 2.7995 |
| 316 | 12 | 3.1370 | 3.1258 | 3.0829 | 3.0770 | 11/16 | 5/32 | 3.0035 |
| 317 | 12 | 3.3400 | 3.3288 | 3.2859 | 3.2800 | 23/32 | 5/32 | 3.2065 |
| 320 | 12 | 3.9180 | 3.9068 | 3.8639 | 3.8565 | 7/8 | 5/32 | 3.7845 |
| 322 | 12 | 4.325 | 4.3138 | 4.2709 | 4.2626 | 29/32 | 5/32 | 4.1915 |
| 324 | 12 | 4.716 | 4.7048 | 4.6619 | 4.6536 | 15/16 | 5/32 | 4.5825 |
| 326 | 12 | 5.106 | 5.0948 | 5.0519 | 5.0436 | 1 | 5/32 | 4.9725 |
| 328 | 12 | 5.497 | 5.4858 | 5.4429 | 5.4346 | 1-1/16 | 5/32 | 5.3635 |
| 330 | 12 | 5.888 | 5.8768 | 5.8339 | 5.8256 | 1-1/8 | 5/32 | 5.7545 |
| 332 | 8 | 6.284 | 6.2688 | 6.2028 | 6.1937 | 1-3/16 | 1/4 | 6.0993 |
| 334 | 8 | 6.659 | 6.6438 | 6.5778 | 6.5687 | 1-7/32 | 1/4 | 6.4743 |
| 338 | 8 | 7.472 | 7.4568 | 7.3908 | 7.3817 | 1-9/32 | 1/4 | 7.2873 |

† Tolerance ±.005 through 2.6672 dia; ±.010 for larger sizes

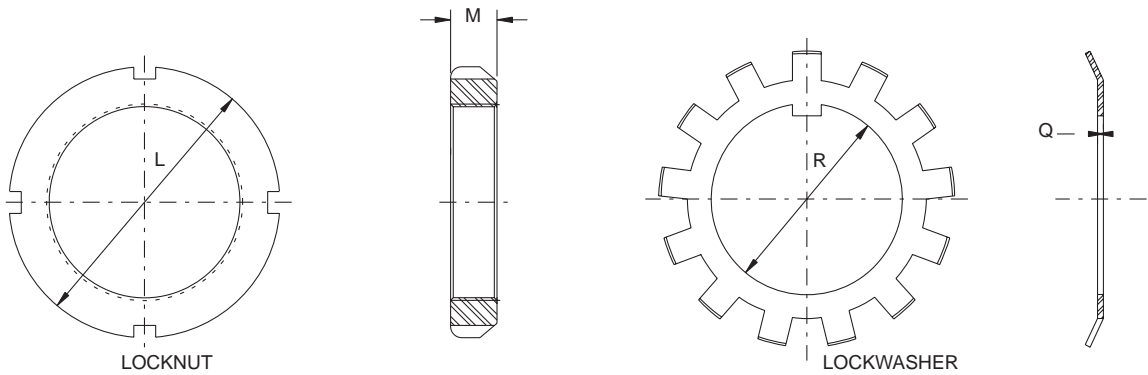
| | | | |
|---------------------------------|----------------------------|-----------------------------|-------------------------------------|
| FEATURES/BENEFITS PAGE B11-3 | HOW TO ORDER PAGE B11-9 | NOMENCLATURE PAGE B11-10 | SELECTION/DIMENSIONS PAGE B11-30 |
|---------------------------------|----------------------------|-----------------------------|-------------------------------------|



SELECTION/DIMENSIONS



USAF 300 Series Bearing Locknut & Washers



| Housing | Locknut | | Lockwasher | | L (Inch) | M (Inch) | R (Inch) | Q (Inch) |
|---------|----------|----------|------------|----------|-------------|-------------|-------------|-------------|
| | Descrip. | Part No. | Descrip. | Part No. | | | | |
| 308 | N08 | 407305 | W08 | 419151 | 2.25 | 0.44 | 1.583 | 0.048 |
| 309 | N09 | 419187 | W09 | 419180 | 2.53 | 0.44 | 1.792 | 0.048 |
| 310 | N10 | 419188 | W10 | 419181 | 2.69 | 0.50 | 1.992 | 0.048 |
| 311 | N11 | 419184 | W11 | 419182 | 2.97 | 0.50 | 2.182 | 0.053 |
| 312 | N12 | 407302 | W12 | 419008 | 3.16 | 0.53 | 2.400 | 0.053 |
| 313 | N13 | 419185 | W13 | 419183 | 3.38 | 0.56 | 2.588 | 0.053 |
| 314 | N14 | 407306 | W14 | 419153 | 3.62 | 0.56 | 2.791 | 0.053 |
| 315 | AN15 | 460901 | W15 | 419150 | 3.88 | 0.59 | 2.988 | 0.072 |
| 316 | AN16 | 460902 | W16 | 419152 | 4.16 | 0.59 | 3.192 | 0.072 |
| 317 | AN17 | 460903 | W17 | 419154 | 4.41 | 0.62 | 3.410 | 0.072 |
| 320 | AN20 | 460905 | W20 | 419158 | 5.19 | 0.75 | 4.003 | 0.094 |
| 322 | AN22 | 460906 | W22 | 419160 | 5.72 | 0.78 | 4.410 | 0.125 |
| 324 | AN24 | 041071 | W24 | 419162 | 6.12 | 0.81 | 4.816 | 0.125 |
| 326 | AN26 | 041064 | W26 | 419164 | 6.75 | 0.88 | 5.209 | 0.125 |
| 328 | AN28 | 041065 | W28 | 419166 | 7.09 | 0.94 | 5.600 | 0.125 |
| 330 | AN30 | 041072 | W30 | 419168 | 7.69 | 0.97 | 6.001 | 0.156 |
| 332 | AN32 | 041066 | W32 | 419170 | 8.06 | 1.03 | 6.407 | 0.156 |
| 334 | AN34 | 041067 | W34 | 419172 | 8.66 | 1.06 | 6.782 | 0.156 |
| 338 | AN38 | 041068 | W38 | 419176 | 9.47 | 1.12 | 7.595 | 0.156 |

IMPERIAL - ISAF

UNIFIED SAF

International Bearings

Sleeve Bearing

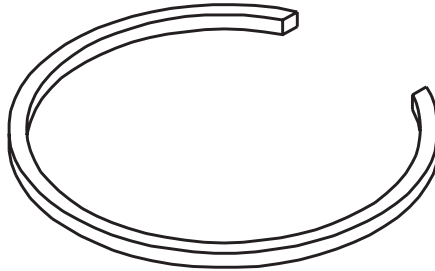
SLEEVOIL

| | | | |
|---------------------------------|----------------------------|-----------------------------|-------------------------------------|
| FEATURES/BENEFITS PAGE B11-3 | HOW TO ORDER PAGE B11-9 | NOMENCLATURE PAGE B11-10 | SELECTION/DIMENSIONS PAGE B11-30 |
|---------------------------------|----------------------------|-----------------------------|-------------------------------------|

SELECTION/DIMENSIONS



USAF Stabilizing Rings



| Housing | Stab. Ring No. | Stab. Ring Part No. ▲ | Housing | Stab. Ring No. | Stab. Ring Part No. ▲ |
|--------------|----------------|--------------------------|---------|----------------|--------------------------|
| 509 | 9-9 | 041987 | 308 | 10-8 | 042335 |
| 510 | 10-8 | 042335 | 609/309 | 11-9 | 042315 |
| 511 | 11-9 | 042315 | 610/310 | 0-10 | 046642 |
| 513 | 13-0 | 042316 | 611/311 | 6-11 | 046632 |
| 515/215 | 15-0 | 041174 | 312 | 15-0 | 041174 |
| 516/216 | 16-13 | 041172 | 613/313 | 16-13 | 041172 |
| 517/217 | 17-14 | 041175 | 314 | 17-14 | 041175 |
| 518/218 | 18-15 | 041173 | 615/315 | 18-15 | 041173 |
| 520/220 | 20-17 | 041176 | 616/316 | 19-16 | 046643 |
| 522/222 | 22-19 | 041177 | 617/317 | 20-17 | 041176 |
| 524/224 | 24-20 | 041185 | 620/320 | 24-20 | 041185 |
| 526/226 | 26-0 | 041178 | 622/322 | 0-22 | 046635 |
| 528/228 | 28-0 | 041179 | 624/324 | 0-24 | 046634 |
| 530/230 | 30-0 | 041186 | 626/326 | 0-26 | 046637 |
| 532/232 | 32-0 | 041180 | 628/328 | 0-28 | 046638 |
| 534/234 | 34-0 | 041181 | 630/330 | 36-30 | 041184 |
| 536/236 | 36-30 | 041184 | 632/332 | 38-32 | 041182 |
| 538/238 | 38-32 | 041182 | 634/334 | 40-34 | 040850 |
| 540/240 | 40-34 | 046639 | 638/338 | 44-38 | 041183 |
| 544S/544/244 | 44-38 | 041183 | | | |
| * 048 | A8897 | 041161 | | | |
| * 052 | A8898 | 422554 | | | |
| * 056/056L | A8819 | 041213 | | | |

* Two stabilizing rings required per housings

▲ Part numbers for reference only. Housings come equipped with stabilizing rings enclosed

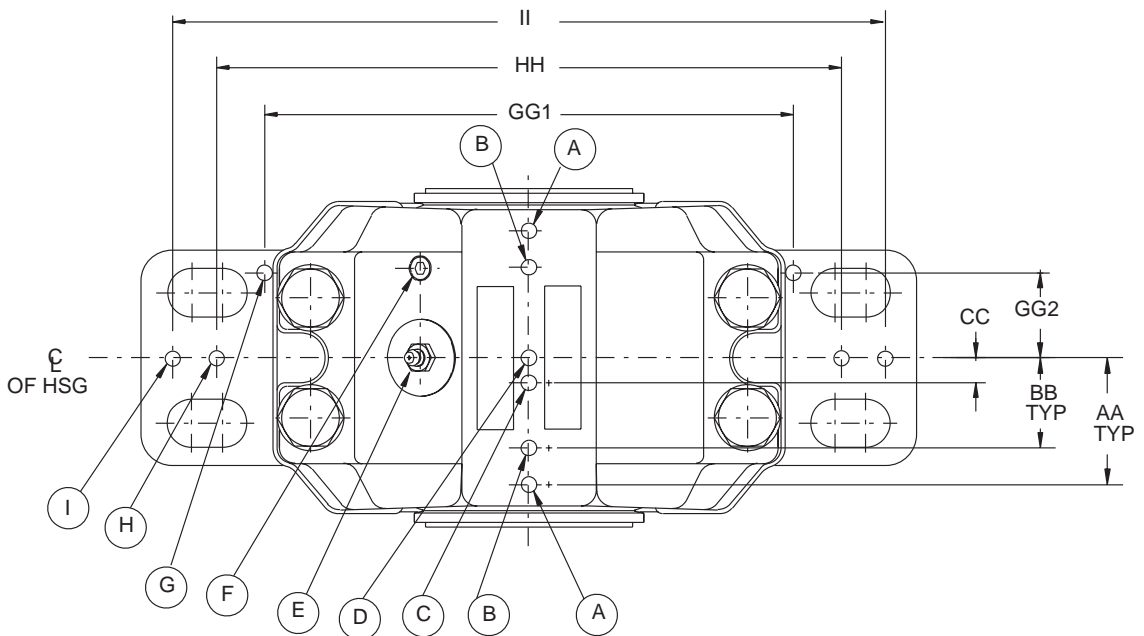
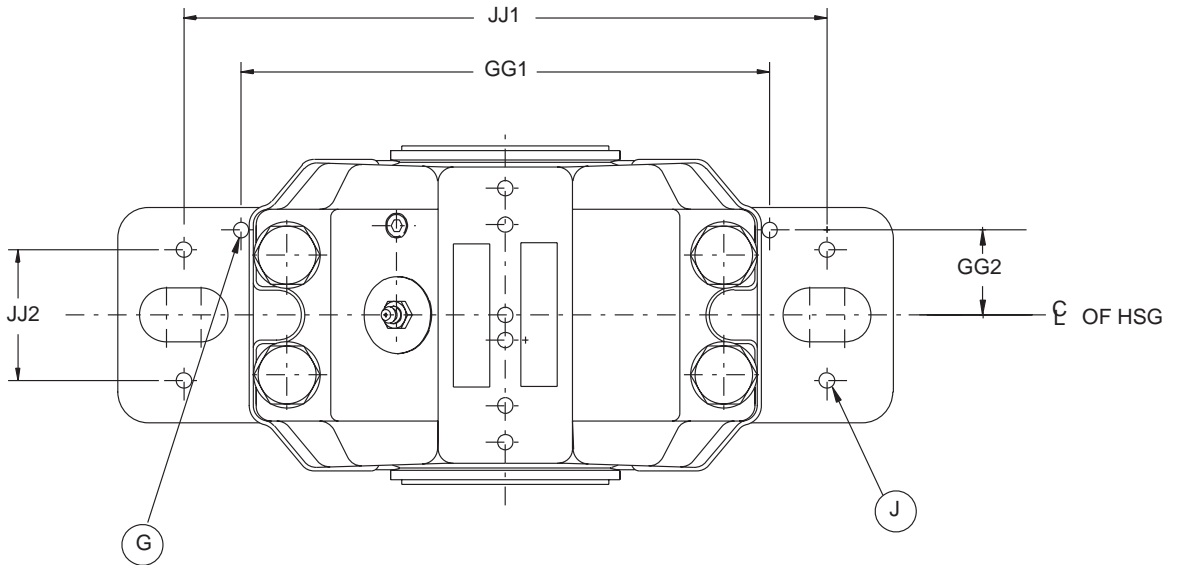
| | | | |
|---------------------------------|----------------------------|-----------------------------|-------------------------------------|
| FEATURES/BENEFITS PAGE B11-3 | HOW TO ORDER PAGE B11-9 | NOMENCLATURE PAGE B11-10 | SELECTION/DIMENSIONS PAGE B11-30 |
|---------------------------------|----------------------------|-----------------------------|-------------------------------------|



SELECTION/DIMENSIONS



USAF Pillow Block - 500 & 200 DOWEL PIN, LUBRICATION & MOUNTING HOLE POSITIONS



IMPERIAL - ISAF

UNIFIED SAF

International Bearings

Sleeve Bearing

SLEEVOIL

| | | | |
|---------------------------------|----------------------------|-----------------------------|-------------------------------------|
| FEATURES/BENEFITS PAGE B11-3 | HOW TO ORDER PAGE B11-9 | NOMENCLATURE PAGE B11-10 | SELECTION/DIMENSIONS PAGE B11-30 |
|---------------------------------|----------------------------|-----------------------------|-------------------------------------|

SELECTION/DIMENSIONS



USAF Pillow Block - 500 & 200 DOWEL PIN, LUBRICATION & MOUNTING HOLE POSITIONS

| Item | Description |
|------|---|
| A | Optional Seal Grease Location |
| B | Optional Location For Vent, Vibration Pickup And/or Grease Location For Non W33 Grooved Bearing |
| C | Position For Thermocouple Location |
| D | Position For Lubrication Of Bearing With W33 Groove |
| E | Lubrication Port For W33 Groove |
| | Groove Bearing Drilled Standard On Pillow Blocks |
| F | Pre-Drilled And Tap Location For Vent Or Side Lubrication For Bearing Without W33 Groove |
| G | Dowel Pin Location For Metric Plummer Blocks |
| H | Drilling Location For Two Bolt Mounting Or Optional Dowel Pin Location |
| I | Optional Location For Dowel Pin Location |
| J | Drilling Location For Four Bolt Mounting Or Optional Dowel Pin Location |

| USAF Housing | AA | BB | CC | GG1 | GG2 | G Max Dia | HH | H | | II | JJ1 | JJ2 | J | |
|--------------|---------|---------|---------|----------|---------|-----------|----------|-----------|-----------|----------|----------|---------|-----------|-----------|
| | | | | | | | | Hole Size | Bolt Size | | | | Hole Size | Bolt Size |
| 509 | 1-29/64 | 27/32 | 1/4 | 5-5/16 | 29/32 | 15/64 | - | - | - | - | 6-5/16 | 1-11/32 | 7/16 | 3/8 |
| 510 | 1-17/32 | 57/64 | 17/64 | 5-5/16 | 29/32 | 15/64 | - | - | - | - | 6-5/16 | 1-11/32 | 7/16 | 3/8 |
| 511 | 1-21/32 | 1 | 9/32 | 6-11/16 | 1-1/16 | 5/16 | - | - | - | - | 7-7/8 | 1-9/16 | 9/16 | 1/2 |
| 513 | 1-27/32 | 1-9/32 | 11/32 | 7-1/2 | 1-1/4 | 5/16 | 9-1/16 | 11/16 | 5/8 | 10-1/4 | 8-21/32 | 1-7/8 | 9/16 | 1/2 |
| 515/215 | 1-7/8 | 1-7/32 | 23/64 | 7-1/2 | 1-1/4 | 5/16 | 9-1/16 | 11/16 | 5/8 | 10-1/4 | 8-21/32 | 1-7/8 | 9/16 | 1/2 |
| 516/216 | 2-1/32 | 1-3/8 | 5/16 | 8-19/32 | 1-3/8 | 5/16 | 10-1/4 | 13/16 | 3/4 | 11-19/32 | 9-15/16 | 2-1/16 | 11/16 | 5/8 |
| 517/217 | 2-1/16 | 1-15/32 | 13/32 | 8-19/32 | 1-3/8 | 5/16 | 10-1/4 | 13/16 | 3/4 | 11-19/32 | 9-15/16 | 2-1/16 | 11/16 | 5/8 |
| 518/218 | 2-3/8 | 1-1/2 | 7/16 | 9-7/16 | 1-29/64 | 5/16 | 11-13/32 | 13/16 | 3/4 | 12-5/8 | 11-1/32 | 2-9/32 | 11/16 | 5/8 |
| 520/220 | 2-11/16 | 1-23/32 | 17/32 | 10-1/4 | 1-39/64 | 5/16 | 12-19/32 | 15/16 | 7/8 | 14-23/64 | 11-13/16 | 2-19/32 | 13/16 | 3/4 |
| 522/222 | 2-13/16 | 1-15/16 | 19/32 | 11-1/32 | 1-25/32 | 15/32 | 13-25/32 | 15/16 | 7/8 | 15-1/2 | 12-19/32 | 2-29/32 | 13/16 | 3/4 |
| 524/224 | 3-1/8 | 1-29/32 | 11/16 | 11-27/64 | 1-25/32 | 15/32 | 13-7/8 | 15/16 | 7/8 | 15-7/8 | 13 | 2-29/32 | 13/16 | 3/4 |
| 526/226 | 3-1/4 | 2-3/32 | 3/4 | 12-25/32 | 2-3/64 | 15/32 | 14-31/32 | 1-1/16 | 1 | 17-3/8 | 14-9/16 | 3-5/32 | 15/16 | 7/8 |
| 528/228 | 3-31/64 | 2-17/32 | 3/4 | 13-19/32 | 2-5/32 | 15/32 | 16-17/32 | 1-5/16 | 1-1/4 | 18-11/16 | 15-3/4 | 3-5/8 | 1-1/16 | 1 |
| 530/230 | 3-27/32 | 2-17/32 | 13/16 | 14-3/4 | 2-3/8 | 15/32 | 17-23/32 | 1-5/16 | 1-1/4 | 19-1/2 | 16-15/16 | 3-15/16 | 1-1/16 | 1 |
| 532/232 | 4-3/32 | 2-9/16 | 29/32 | 15-9/16 | 2-23/64 | 15/32 | 18-1/2 | 1-5/16 | 1-1/4 | 20-9/32 | 17-23/32 | 3-15/16 | 1-1/16 | 1 |
| 534/234 | 4-1/8 | 3 | 1 | - | - | - | 20-1/2 | 1-9/16 | 1-1/2 | 23-3/8 | - | - | - | - |
| 536/236 | 4-5/16 | 3 | 1 | - | - | - | 22-1/4 | 1-9/16 | 1-1/2 | 25-1/4 | - | - | - | - |
| 538/238 | 4-1/2 | 3-1/8 | 1-1/8 | - | - | - | 23 | 1-9/16 | 1-1/2 | 26-5/8 | - | - | - | - |
| 540/240 | 4-55/64 | 3-7/32 | 1-1/8 | - | - | - | 23-3/4 | 1-9/16 | 1-1/2 | 27-1/4 | - | - | - | - |
| 544/244 | 5-13/64 | 3-5/8 | 1-3/16 | - | - | - | 26-5/6 | 1-13/16 | 1-3/4 | 30-3/4 | - | - | - | - |
| 048 | 4-55/64 | 3-7/32 | 1-1/8 | - | - | - | 23-3/4 | 1-9/16 | 1-1/2 | 27-1/4 | - | - | - | - |
| 052 | 5-13/64 | 3-5/8 | 1-3/16 | - | - | - | 26-5/6 | 1-13/16 | 1-3/4 | 30-3/4 | - | - | - | - |
| 056 | 5-43/64 | 3-3/4 | 1-13/64 | - | - | - | 27-7/8 | 2-1/16 | 2 | 32-1/4 | - | - | - | - |

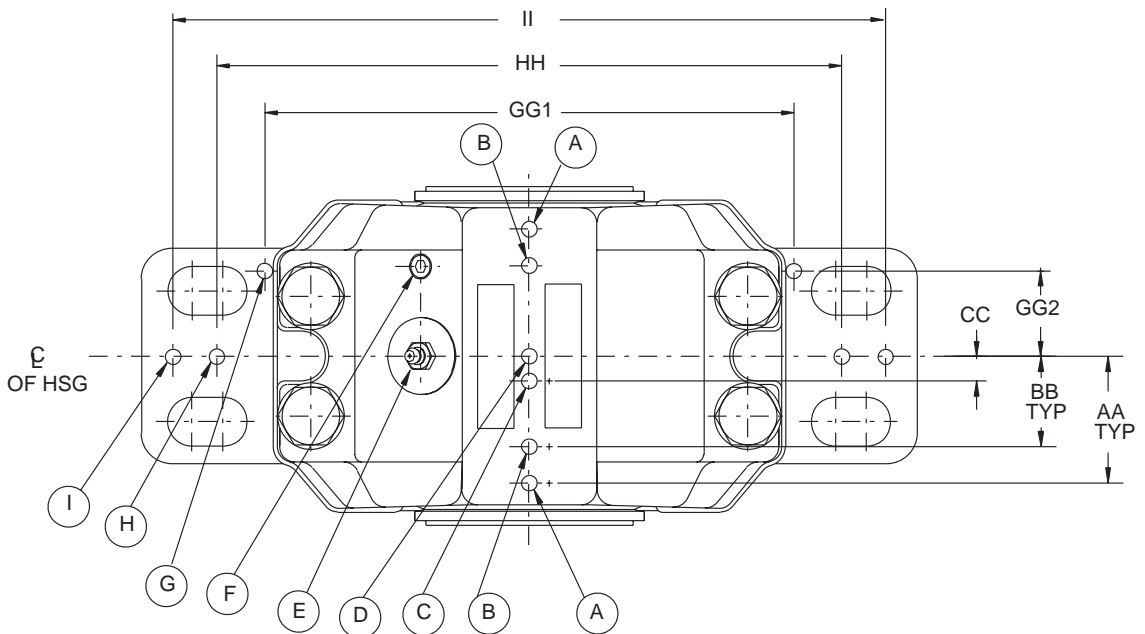
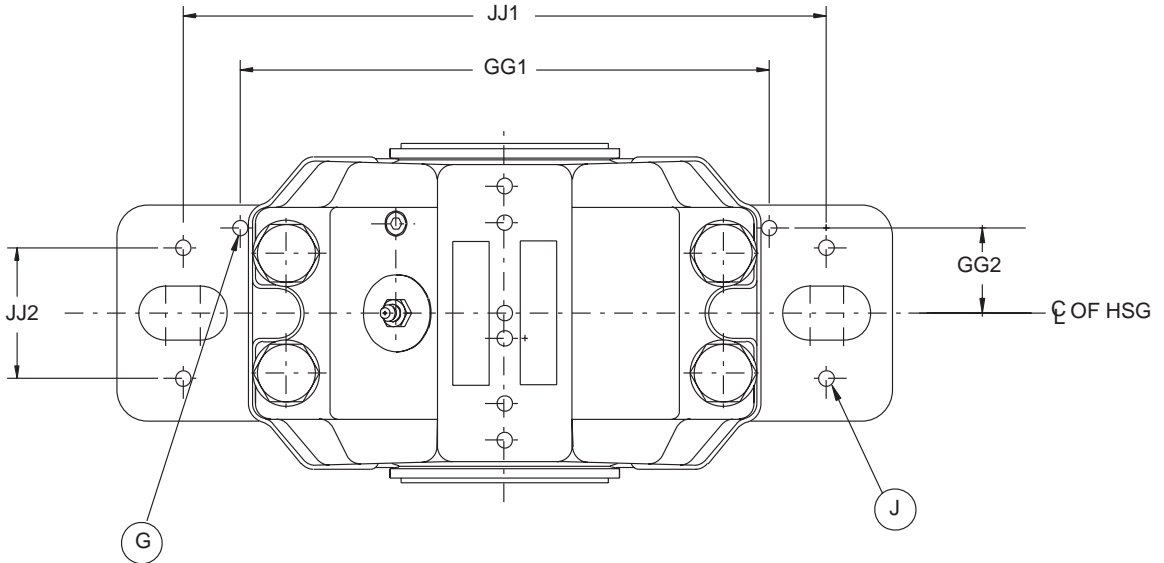
| | | | |
|---------------------------------|----------------------------|-----------------------------|-------------------------------------|
| FEATURES/BENEFITS PAGE B11-3 | HOW TO ORDER PAGE B11-9 | NOMENCLATURE PAGE B11-10 | SELECTION/DIMENSIONS PAGE B11-30 |
|---------------------------------|----------------------------|-----------------------------|-------------------------------------|



SELECTION/DIMENSIONS



USAF Pillow Block - 600 & 300 DOWEL PIN, LUBRICATION & MOUNTING HOLE POSITIONS



IMPERIAL - ISAF

UNIFIED SAF

International Bearings

Sleeve Bearing

SLEEVOIL

| | | | |
|---------------------------------|----------------------------|-----------------------------|-------------------------------------|
| FEATURES/BENEFITS PAGE B11-3 | HOW TO ORDER PAGE B11-9 | NOMENCLATURE PAGE B11-10 | SELECTION/DIMENSIONS PAGE B11-30 |
|---------------------------------|----------------------------|-----------------------------|-------------------------------------|

SELECTION/DIMENSIONS



USAF Pillow Block - 600 & 300 DOWEL PIN, LUBRICATION & MOUNTING HOLE POSITIONS

| Item | Description |
|------|---|
| A | OPTIONAL SEAL GREASE LOCATION |
| B | OPTIONAL LOCATION FOR VENT, VIBRATION PICKUP AND/OR GREASE LOCATION FOR NON W33 GROOVED BEARING |
| C | POSITION FOR THERMOCOUPLE LOCATION |
| D | POSITION FOR LUBRICATION OF BEARING WITH W33 GROOVE |
| E | LUBRICATION PORT FOR W33 GROOVE GROOVE BEARING DRILLED STANDARD ON PILLOW BLOCKS |
| F | PRE-DRILLED AND TAP LOCATION FOR VENT OR SIDE LUBRICATION FOR BEARING WITHOUT W33 GROOVE |
| G | DOWEL PIN LOCATION FOR METRIC PLUMMER BLOCKS |
| H | DRILLING LOCATION FOR TWO BOLT MOUNTING OR OPTIONAL DOWEL PIN LOCATION |
| I | OPTIONAL LOCATION FOR DOWEL PIN LOCATION |
| J | DRILLING LOCATION FOR FOUR BOLT MOUNTING OR OPTIONAL DOWEL PIN LOCATION |

| USAF Housing | AA | BB | CC | GG1 | GG2 | G Max Dia | HH | H | | II | JJ1 | JJ2 | J | |
|--------------|---------|---------|--------|----------|---------|-----------|----------|-----------|-----------|----------|----------|---------|-----------|-----------|
| | | | | | | | | Hole Size | Bolt Size | | | | Hole Size | Bolt Size |
| 308 | 1-17/32 | 57/64 | 17/64 | 5-5/16 | 29/32 | 15/64 | - | - | - | - | 6-5/16 | 1-11/32 | 7/16 | 3/8 |
| 609/309 | 1-21/32 | 1 | 9/32 | 6-11/16 | 1-1/16 | 5/16 | - | - | - | - | 7-7/8 | 1-9/16 | 9/16 | 1/2 |
| 610/310 | 1-27/32 | 1 | 11/32 | 6-49/64 | 1-1/16 | 5/16 | - | - | - | - | 7-7/8 | 1-9/16 | 9/16 | 1/2 |
| 611/311 | 1-27/32 | 1-9/16 | 11/32 | 7-1/2 | 1-1/4 | 5/16 | 9-1/16 | 11/16 | 5/8 | 10-1/4 | 8-21/32 | 1-7/8 | 9/16 | 1/2 |
| 312 | 1-7/8 | 1-7/32 | 23/64 | 7-1/2 | 1-1/4 | 5/16 | 9-1/16 | 11/16 | 5/8 | 10-1/4 | 8-21/32 | 1-7/8 | 9/16 | 1/2 |
| 613/313 | 2-1/32 | 1-3/8 | 5/16 | 8-19/32 | 1-3/8 | 5/16 | 10-1/4 | 13/16 | 3/4 | 11-19/32 | 9-15/16 | 2-1/16 | 11/16 | 5/8 |
| 314 | 2-1/16 | 1-15/32 | 13/32 | 8-19/32 | 1-3/8 | 5/16 | 10-1/4 | 13/16 | 3/4 | 11-19/32 | 9-15/16 | 2-1/16 | 11/16 | 5/8 |
| 615/315 | 2-3/8 | 1-1/2 | 7/16 | 9-7/16 | 1-29/64 | 5/16 | 11-13/32 | 13/16 | 3/4 | 12-5/8 | 11-1/32 | 2-9/32 | 11/16 | 5/8 |
| 616/316 | 2-17/32 | 1-5/8 | 17/32 | 9-7/16 | 1-29/64 | 5/16 | 11-13/32 | 13/16 | 3/4 | 13 | 11-1/32 | 2-9/32 | 11/16 | 5/8 |
| 617/317 | 2-11/16 | 1-23/32 | 17/32 | 10-1/4 | 1-39/64 | 5/16 | 12-19/32 | 15/16 | 7/8 | 14-23/64 | 11-13/16 | 2-19/32 | 13/16 | 3/4 |
| 620/320 | 3-1/8 | 1-29/32 | 11/16 | 11-27/64 | 1-25/32 | 15/32 | 13-7/8 | 15/16 | 7/8 | 15-7/8 | 13 | 2-29/32 | 13/16 | 3/4 |
| 622/322 | 3-1/4 | 2-3/32 | 3/4 | 12-25/32 | 2-3/64 | 15/32 | 14-31/32 | 1-1/16 | 1 | 17-3/8 | 14-9/16 | 3-5/32 | 15/16 | 7/8 |
| 624/324 | 3-27/32 | 2-17/32 | 13/16 | 14-3/4 | 2-3/8 | 15/32 | 17-23/32 | 1-5/16 | 1-1/4 | 19-1/2 | 16-15/16 | 3-15/16 | 1-1/16 | 1 |
| 626/326 | 4-3/32 | 2-9/16 | 29/32 | 15-9/16 | 2-23/64 | 15/32 | 18-1/2 | 1-5/16 | 1-1/4 | 20-9/32 | 17-23/32 | 3-15/16 | 1-1/16 | 1 |
| 628/328 | 4-1/8 | 3 | 1 | - | - | - | 20-1/2 | 1-9/16 | 1-1/2 | 23-3/8 | - | - | - | - |
| 630/330 | 4-5/16 | 3 | 1 | - | - | - | 22-1/4 | 1-9/16 | 1-1/2 | 25-1/4 | - | - | - | - |
| 632/332 | 4-1/2 | 3-1/8 | 1-1/8 | - | - | - | 23 | 1-9/16 | 1-1/2 | 26-5/8 | - | - | - | - |
| 634/334 | 4-55/64 | 3-7/32 | 1-1/8 | - | - | - | 23-3/4 | 1-9/16 | 1-1/2 | 27-1/4 | - | - | - | - |
| 638/338 | 5-13/64 | 3-5/8 | 1-3/16 | - | - | - | 26-5/16 | 1-13/16 | 1-3/4 | 30-3/4 | - | - | - | - |

| | | | |
|---------------------------------|----------------------------|-----------------------------|-------------------------------------|
| FEATURES/BENEFITS PAGE B11-3 | HOW TO ORDER PAGE B11-9 | NOMENCLATURE PAGE B11-10 | SELECTION/DIMENSIONS PAGE B11-30 |
|---------------------------------|----------------------------|-----------------------------|-------------------------------------|

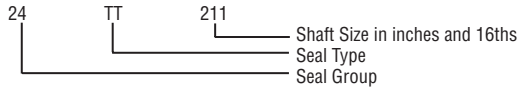


SELECTION/DIMENSIONS



USAF Housing VS Seal Group Interchange Chart

All DODGE seals are identified as follows:



Seal group numbers identify common housing seal grooves found on different series housings. The standard shaft sizes for various housings are shown.

| Shaft Size | Housing | Seal* Group |
|------------|---------|-------------|
| 1-7/16 | 509 | 08 |
| | 308 | |
| | 609 | |
| 1-11/16 | 510 | 10 |
| | 309 | |
| | 610 | |
| 1-7/8 | 310 | 12 |
| | 511 | |
| 1-15/16 | 308 | 14 |
| | 611 | |
| | 311 | |
| 2-1/16 | 311 | 18 |
| | 309 | |
| 2-1/8 | 513 | 20 |
| | 613 | |
| 2-3/16 | 312 | 22 |
| | 310 | |
| 2-3/8 | 515 | 24 |
| | 615 | |
| | 313 | |
| 2-7/16 | 515 | 26 |
| | 615 | |
| 2-1/2 | 314 | 28 |
| | 311 | |
| 2-5/8 | 516 | 32 |
| | 616 | |
| | 312 | |
| 2-9/16 | 516 | 34 |
| | 616 | |
| | 315 | |
| 2-11/16 | 517 | 36 |
| | 617 | |
| 2-3/4 | 216 | 38 |
| | 316 | |
| | 517 | |
| 2-13/16 | 617 | 46 |
| | 217 | |
| | 317 | |
| 2-7/8 | 518 | 32 |
| | 618 | |
| 2-15/16 | 314 | 34 |
| | 312 | |
| 3 | 218 | 36 |
| | 313 | |
| | 517 | |
| 3-1/16 | 215 | 38 |
| | 315 | |
| | 520 | |
| 3-3/16 | 315 | 46 |
| | 520 | |
| | 620 | |
| 3-1/4 | 520 | 38 |
| | 620 | |
| 3-3/8 | 215 | 32 |
| | 314 | |

| Shaft Size | Housing | Seal* Group |
|------------|---------|-------------|
| 3-5/8 | 216 | 38 |
| | 316 | |
| 3-13/16 | 220 | 50 |
| | 320 | |
| | 217 | |
| 3-15/16 | 317 | 42 |
| | 522 | |
| | 622 | |
| 4 | 522 | 50 |
| | 622 | |
| 4-1/8 | 218 | 44 |
| | 524 | |
| 4-3/16 | 222 | 52 |
| | 624 | |
| | 322 | |
| 4-7/16 | 526 | 54 |
| | 626 | |
| | 220 | |
| 4-1/2 | 320 | 56 |
| | 526 | |
| | 626 | |
| 4-9/16 | 224 | 58 |
| | 324 | |
| 4-7/8 | 222 | 60 |
| | 322 | |
| | 226 | |
| 4-15/16 | 326 | 62 |
| | 528 | |
| | 628 | |
| | 528 | |
| 5 | 628 | 64 |
| | 530 | |
| 5-3/16 | 630 | 62 |
| | 224 | |
| 5-5/16 | 228 | 60 |
| | 324 | |
| | 328 | |
| 5-7/16 | 532 | 62 |
| | 632 | |
| | 532 | |
| 5-1/2 | 632 | 64 |
| | 230 | |
| 5-3/4 | 330 | 62 |
| | 226 | |
| 5-7/8 | 326 | 64 |
| | 534 | |
| 5-15/16 | 634 | 64 |
| | 534 | |
| 6 | 634 | 64 |
| | 232 | |
| 6-1/16 | 332 | 64 |
| | 534 | |

| Shaft Size | Housing | Seal* Group |
|------------|---------|-------------|
| 6-1/4 | 228 | 66 |
| | 328 | |
| 6-7/16 | 334 | 68 |
| | 234 | |
| | 536 | |
| 6-1/2 | 536 | 70 |
| | 230 | |
| 6-5/8 | 330 | 72 |
| | 236 | |
| 6-7/8 | 538 | 74 |
| | 638 | |
| | 232 | |
| 6-15/16 | 332 | 76 |
| | 538 | |
| | 638 | |
| 7 | 540 | 78 |
| | 238 | |
| 7-3/16 | 338 | 80 |
| | 334 | |
| 7-1/4 | 234 | 82 |
| | 544S | |
| 7-7/16 | 240 | 84 |
| | 236 | |
| 7-1/2 | 240 | 86 |
| | 236 | |
| 7-5/8 | 240 | 88 |
| | 236 | |
| 7-13/16 | 544 | 90 |
| | 8 | |
| 7-15/16 | 244 | 92 |
| | 238 | |
| 8-5/16 | 338 | 94 |
| | 048 | |
| 8-3/8 | 240 | 96 |
| | 048 | |
| 8-7/16 | 240 | 98 |
| | 240 | |
| 8-1/2 | 048 | 98 |
| | 240 | |
| 8-3/4 | 048 | 98 |
| | 3248 | |
| 8-15/16 | 052 | 98 |
| | 052 | |
| 9 | 3152 | 94 |
| | 3252 | |
| 9-7/16 | 244 | 92 |
| | 244 | |
| 9-1/2 | 56 | 94 |
| | 56 | |
| 9-9/16 | 056L | 94 |
| | 3156 | |
| 9-15/16 | 3256 | 96 |
| | 060 | |
| 10-7/16 | 3160 | 96 |
| | 3260 | |
| 10-1/2 | 064 | 98 |
| | 064 | |
| 10-15/16 | 064 | 98 |
| | 064 | |
| 11 | 064 | 98 |
| | 064 | |
| 11-7/16 | 064 | 98 |
| | 064 | |
| 11-1/2 | 064 | 98 |
| | 064 | |

| Shaft Size | Housing | Seal* Group |
|------------|---------|-------------|
| 11-15/16 | 064L | 100 |
| | 3164 | |
| 12 | 3264 | 102 |
| | 068 | |
| 12-7/16 | 3168 | 104 |
| | 3268 | |
| 12-1/2 | 072 | 106 |
| | 072L | |
| 12-15/16 | 3172 | 108 |
| | 076 | |
| 13-7/16 | 3176 | 110 |
| | 080 | |
| 13-1/2 | 084 | 112 |
| | 084 | |

* Seal groups in 200/300 housing require two seals of different diameters.

IMPERIAL - ISAF

UNIFIED SAF

International Bearings

Sleeve Bearing

SLEEVOIL

| | | | |
|---------------------------------|----------------------------|-----------------------------|-------------------------------------|
| FEATURES/BENEFITS PAGE B11-3 | HOW TO ORDER PAGE B11-9 | NOMENCLATURE PAGE B11-10 | SELECTION/DIMENSIONS PAGE B11-30 |
|---------------------------------|----------------------------|-----------------------------|-------------------------------------|

SELECTION/DIMENSIONS



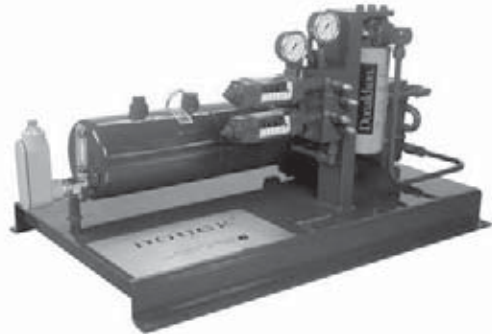
DODGE Cool Lube System

Custom Engineered for oil lubricated, mounted bearings on fan applications. The DODGE Cool Lube System provides an attractive and reliable alternative to conventional grease and static oil bearing lubrication methods for industrial fan applications. It is particularly suited for applications where bearing operating temperatures and speeds approach maximum permissible levels and for harsh and dirty environments.

Enhance your spherical roller and hydrodynamic bearing operation by continuous oil cooling, filtration, and proper oil level maintenance while your fan is running. Eighty percent of all mounted bearing failures are caused by contamination and lubrication issues. The DODGE Cool Lube System helps to minimize this risk.

The DODGE Cool Lube System provides reduced maintenance costs and increased uptime by providing:

- **Bearing Temperature Reduction:** Increases bearing reliability through bearing temperature reduction. Reducing bearing operating temperatures is proven to significantly increase roller bearing fatigue life.
- **Oil Filtration:** Increases Bearing Life and extends maintenance periods through continuous oil filtration. The DODGE Cool Lube System continuously circulates and filters harmful particles from the bearing oil sump.
- **Automatic Oil Level Control:** The DODGE Cool Lube System will maintain the proper oil level within the oil sump.



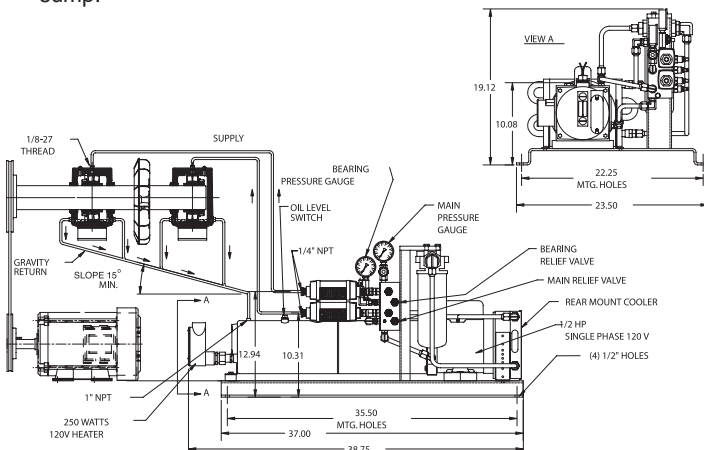
One Cool Lube System per two units for mounted roller bearing products: DODGE Part Numbers:

- **058530** for single phase ½ HP motor
- **067669** for three phase 1 HP motor

Cool Lube System Specifications:

- 3 Gallon Tank
- Pump ½ GPM Flow
- Inline Filter with Clog Indicator
- Pump Relief Valve
- Bearing Line Relief Valve
- Two Pressure Gauges
- Rear Mount Single Air Cooler
- Two Needle Valves
- Two Flow Meters
- 250 Watts Oil Heater with Thermostat
- Oil Level Switch
- Oil Sight Gauge
- Reservoir Breather Cap
- Tubing and JIC Fittings Construction
- All Components Mounted to a Base Plate

NOTE: Replacement Filter Part Number **056728**



| | | | |
|---------------------------------|----------------------------|-----------------------------|-------------------------------------|
| FEATURES/BENEFITS PAGE B11-3 | HOW TO ORDER PAGE B11-9 | NOMENCLATURE PAGE B11-10 | SELECTION/DIMENSIONS PAGE B11-30 |
|---------------------------------|----------------------------|-----------------------------|-------------------------------------|



SELECTION/DIMENSIONS



DODGE Cool Lube System helps to:

Prevent bearing mechanical distress:

- Lowers internal bearing friction thus decreasing bearing operating temperatures
- Minimizes roller to raceway, metal to metal contact
- Reduces roller skidding damage that can occur in lightly loaded applications
- Supplies lubricant directly to load carrying rolling elements
- Increases lube life due to lower temperatures
- Minimizes cage sliding friction wear
- Minimizes effect of ineffective sealing



Lower maintenance costs:

- Oil change outs are simple
- No need to break housing cap bolts to clean out old grease
- Oil can be inspected for distress on a regular basis to determine oil PM schedule
- Lower bearing temperatures increase service life
- Lower contamination levels increase service life

Once bearing raceway fatigue begins progression of damage is rapid



At first sign of Damage

After 1,000 Hours

After 1,200 Hours

Prevent bearing contamination:

- Filters out contamination which has passed through seals
- Helps to remove water contamination due to condensation from bearings if a water absorbing filter is used
- Flushes worn raceway, rollers & cage particles from bearings
- Removes contamination caused during installation



| | | | |
|---------------------------------|----------------------------|-----------------------------|-------------------------------------|
| FEATURES/BENEFITS PAGE B11-3 | HOW TO ORDER PAGE B11-9 | NOMENCLATURE PAGE B11-10 | SELECTION/DIMENSIONS PAGE B11-30 |
|---------------------------------|----------------------------|-----------------------------|-------------------------------------|

CONTENTS



International Bearings

| | |
|-----------------------------------|----------|
| Features / Benefits | B12-2 |
| How to Order / Nomenclature | B12-8 |
| Selection/Dimensions | |
| HFO | B12-9 |
| SNX 500 Plus | B12-11 |
| ISN | B12-14 |
| SSND | B12-17 |
| BL, BLO | B12-20 |
| DFL | B12-22 |
| PDNF | B12-25 |
| Part Number Index | INDEX-1 |
| Key Word Index | INDEX-34 |

IMPERIAL - ISAF

UNIFIED SAF

International Bearings

Sleeve Bearing

SLEEVOIL

FEATURES/BENEFITS

DODGE[®]

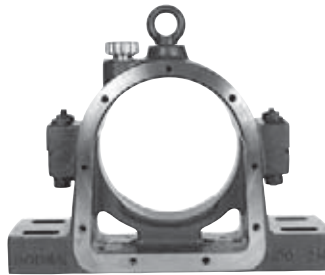
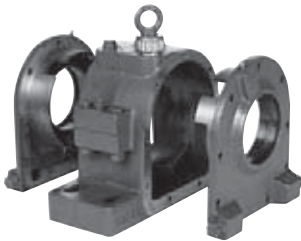
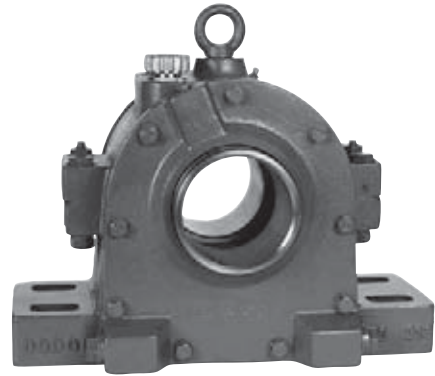


DODGE Plummer Blocks

HFO PLUMMER BLOCK HOUSINGS

Oil-lubricated Bearings with Split Housings

Available in cast iron (GG) for 22200, 22200K, 22300 and 22300K bearings, and in ductile iron (GGG) for 22200 and 22200K bearings.



HFO bearings feature split housings with bolt-on end covers. Large oil sumps provide better cooling, allowing higher operating speeds. Lubrication is accomplished by means of a rotating oil conveying ring which lifts oil from the sump and sprays it onto the bearings. Sight gauges are supplied.

HFO Plummer Block Housings are suitable for applications where reliability and long, maintenance-free intervals are required; e.g. for fans, blowers, and emergency generator sets.

Direct mount (HFO 200 and 300) and adapter mount (HFO 500 and 600) are available. Consult DODGE International Bearing Engineering Catalog.

FEATURES/BENEFITS



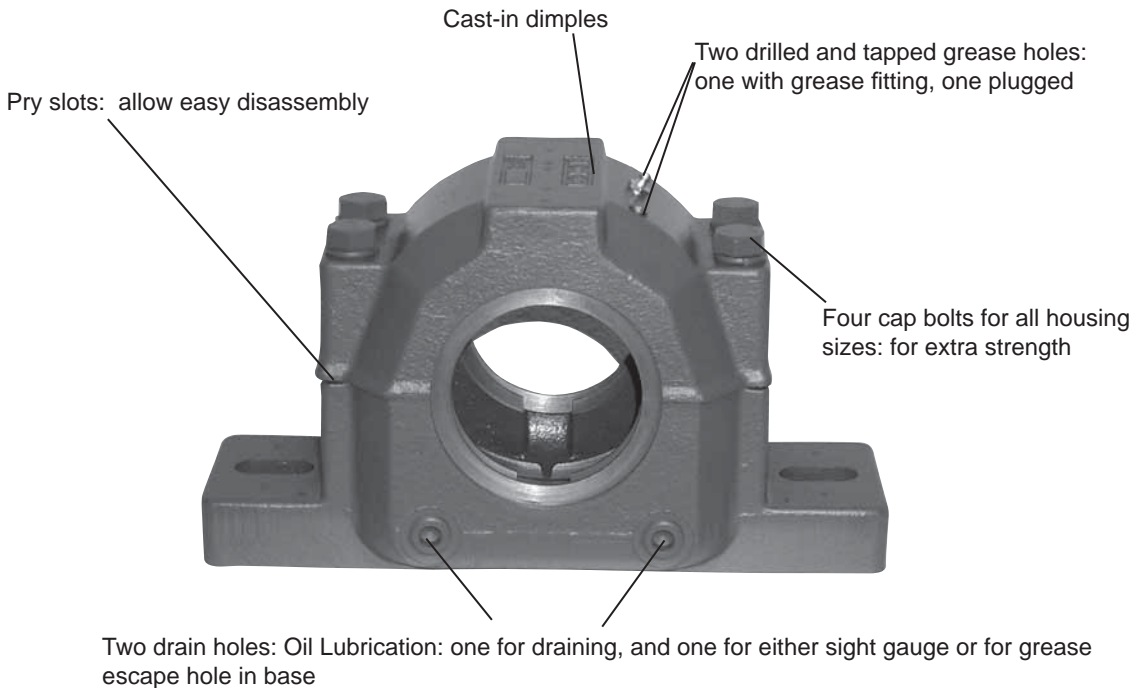
DODGE Plummer Blocks - SN Series Products

SNX

Housings of cast iron GG30

SN dimensioned, split housing plummer block bearings are commonly used in the manufacturing, mining and construction industries for mounting self-aligning ball bearings or spherical roller bearings with adapter sleeves or cylindrical bores.

Machined to H7 tolerances, SN series bearings are available in either expansion or non-expansion, and with a variety of sealing options.



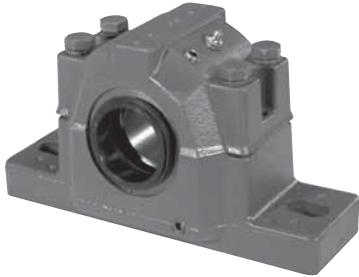
- Standard SNX housings are suitable for either grease or oil lubrication
- Compatible with DODGE EZLINK monitoring system
- Stronger feet for extra load capacity
- Oil equalization passage allows oil flow from side to side
- Oil return slots prevent leaking
- Extra-capacity oil sumps lower operating temperatures
- Oil sight gauges and breather kits are available
- Offset dowels and match marks allow positive matching of caps to bases

FEATURES/BENEFITS

DODGE[®]



DODGE Plummer Blocks - SN Series Products



SNX 30

SNX 30 series housings, made of cast iron GG30, use the heavier duty 23000K series bearings and are available in sizes from 110 mm to 170 mm



SNF 500 Plus

Dimensionally interchangeable with SNX, as are all the SN designated housings, SNX 500 Plus uses 22200K or 23200K bearings, and is shorter through bore than the SNX. The SNF 500 Plus is available in a Split Sphere design.

ISN



IMPERIAL mount SN housing is a one-piece plummer block featuring a world-class, patented, adapter-mounting system. ISN arrives pre-assembled and shaft ready, and may be installed or removed in fifteen minutes.

- Dimensionally interchangeable with SN family housing
- Cast-in drilling location dimples
- Full-shaft contacting, concentric adapter virtually eliminates fretting and provides superior holding capacity
- Precise clearance setting is achieved automatically, without feeler gauges
- Uses 22200 series spherical roller bearings; steel cages and guide rings

FEATURES/BENEFITS

DODGE[®]



DODGE Plummer Blocks – SN Series Products



SSND

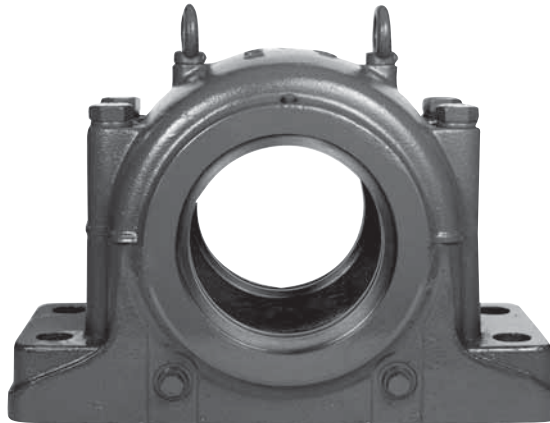
Made of spheroidal ductile iron (GGG40), these housings offer 90% of the tensile strength of cast steel (GS45) and 110% of the elasticity of cast steel but at a lower cost than cast steel. SSND housings are good for heavy shock loads and/or low temperatures.

SSND offers:

- Stronger feet for extra load capacity
- Pry slots for easier disassembly
- Offset dowels and match marks for matching cap to base
- Two drilled and tapped grease holes: one with grease fitting, one plugged
- Six sealing options

DODGE Plummer Blocks - SD Series Products

DODGE SDX (GG30) and DODGE SDXD (GGG40)



These heavy duty bearings are four-bolt, split housings using either 23000K or 23100K bearings. Sizes range from 180 mm to 320 mm using 23000K bearings: from 150 mm to 300 mm using 23100K bearings.

All SDX and SDXD housings have drilled and tapped grease holes with grease fittings. Additionally, the housings are pre-drilled with grease holes and fittings over the seal groove, providing a Taconite type-of seal. TS labyrinth seals are standard.

IMPERIAL - ISAF

UNIFIED SAF

International Bearings

Sleeve Bearing

SLEEVOIL

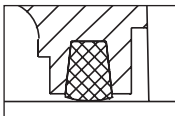
FEATURES/BENEFITS



Seals - SN Series Products One Housing - Many Seals

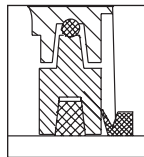
FS

Felt Seal: Standard
SNX 209 - SNX 232
SSND 209 - SSND 232
SNX 3028 - SNX 3039
SNF 505 Plus - SNF 532 Plus



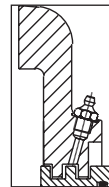
SK VR

Felt strip with V-ring seal
SNX 509 - SNX 532
SNX 308 - SNX 320
SNX 608 - SNX 620
SSND 509 - SSND 532
SSND 308 - SSND 320
SSND 608 - SSND 620



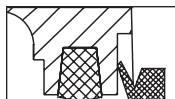
TS - SDX

Labyrinth Seal: Standard
SDX 3040 - SDX 3068
SDX 3134 - SDX 3164
SDXD 3040 - SDXD 3068
SDXD 3134 - SDXD 3164



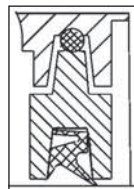
VR

Felt strip with V-ring seal
SNX 209 - SNX 232
SSND 209 - SSND 232
SNX 3028 - SNX 3038
SNF 505 Plus - SNF 532 Plus



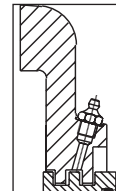
SK LD

Split two lip radial seal
SNX 509 - SNX 532
SNX 608 - SNX 620
SSND 509 - SSND 532
SSND 608 - SSND 620



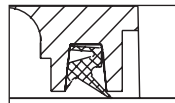
TT - SDX

Triple - Tect / Taconite Seal
SDX 3040 - SDX 3068
SDX 3134 - SDX 3164
SDXD 3040 - SDXD 3068
SDXD 3134 - SDXD 3164



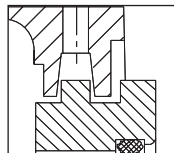
LD

Split two lip radial seal
SNX 209 - SNX 224
SSND 209 - SSND 232
SNX 3028 - SNX 3032
SNF 505 Plus - SNF 532 Plus



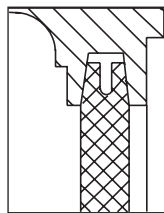
TS- SNX

Labyrinth seal
SNX 509 - SNX 532



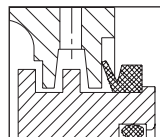
DK

End Cover
SNX 209 - SNX 232
SNX 509 - SNX 532
SNX 308 - SNX 320
SNX 608 - SNX 620
SSND 209 - SSND 232
SSND 509 - SSND 532
SSND 308 - SSND 320
SSND 608 - SSND 620
SNX 3028 - SNX 3038
SNF 505 Plus - SNF 532 Plus



TT - SNX

Triple - Tect
SNX 509 - SNX 532



| | FS | LD | VR & TT | TS | DK |
|-----------------------------|---------|-----------|-----------|----------------|-----------|
| Max. circumferential speeds | 4 m/s | 8 m/s | 4 m/s | brg. RPM limit | - |
| Max temperature | 80-90°C | 100-110°C | 100-110°C | 100-110°C | 100-110°C |

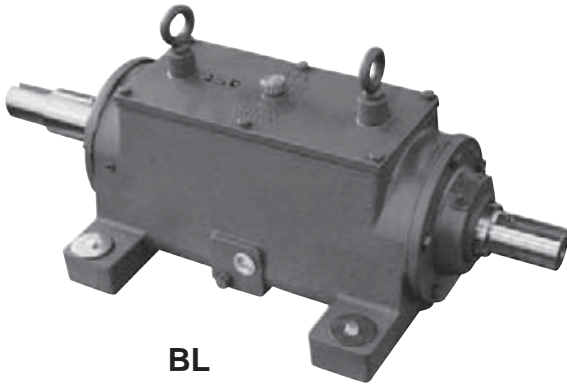
FEATURES/BENEFITS



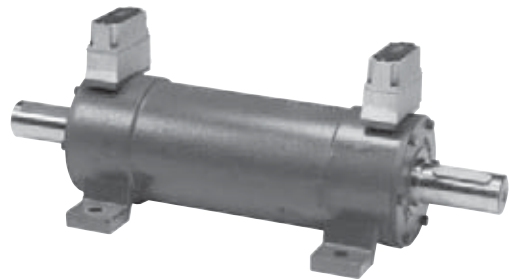
Dodge Two-Bearing Housings (Mono Block)

BL, DFL, and PDNF style bearings, especially developed for fan applications, incorporate two bearing seats in each housing. This two-bearing construction in a single housing eliminates misalignment

The bearing seats accommodate either deep-groove ball bearings or cylindrical roller bearings, enabling great design flexibility.



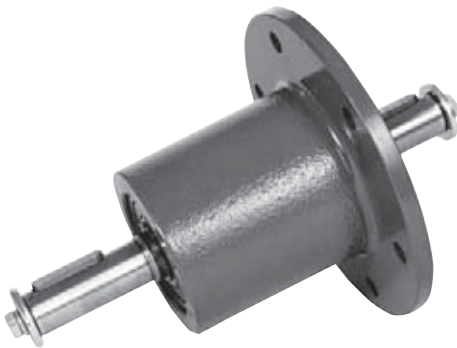
BL



PDNF

Pressed-on bearings, coupled with special, tighter housing fits afford smoother, quieter running which, in turn, allows cooler temperatures and higher speeds.

PDNF, DFL and BL-W bearings are grease lubricated, while BLO is oil lubricated for higher speeds. DFL bearings are flange-mounted. DFSL has adjustable clamping flanges.



DFL

IMPERIAL - ISAF

UNIFIED SAF

International Bearings

Sleeve Bearing

SLEEVOIL

HOW TO ORDER / NOMENCLATURE



DODGE International Bearings

Housing types

HFO – Four-bolt, split, plummer block housings

SNX – Two-bolt, split, plummer block housings w/SN dimensions

SSND – Two or four-bolt, split, plummer block housings w/SN dimensions, ductile iron

SNF 500 Plus – Two-bolt, split, plummer block w/SN dimensions; shorter through bore

SDX – Four-bolt, split, plummer block housings; SDXD is ductile iron

DFL – Flanged, two-bearing Mono Block; DFLS has a split flange for length adjustment

PDNF – Two-bearing Mono Block

BL – Two bearing Mono Block for grease lubrication

BLO – Two-bearing Mono Block for oil lubrications

Suffixes

KPL – Assembled with bearings and shaft

HT – For high temperatures

NS – Relubricative

A – One end closed

B – Both ends open

F – Fixed bearing; non-expansion

L – Floating bearing; expansion

GG – Cast iron

GGG or D – Ductile iron (spheroidal graphite iron)

PLEASE REFER TO DODGE EUROPEAN BEARING ENGINEERING CATALOG FOR TECHNICAL AND ENGINEERING INFORMATION, AS WELL AS COMPLETE INFORMATION ON ALL HOUSINGS (INCLUDING 200, 300 AND 600 SERIES) AND BEARINGS SNF 500 PLUS, SNX 30, SDX 3000 and SDX3100 NOT INCLUDED IN THIS CATALOG.

SELECTION/DIMENSIONS



HFO 500

| Description | Complete housing unit in GG25 | | Housing Only | Seal | | Spherical roller bearing | | Adapters | |
|-------------|-------------------------------|--------|--------------|----------|----------|--------------------------|-------------|-------------|----------|
| | Part No. | | Part No. | Part No. | Part No. | Part No. | Description | Description | Part No. |
| | A F/L | B F/L | B (No Seals) | A & B | B F/L | | | | |
| HFO 517 | 720940 | 720945 | 496150 | 713154 | 713153 | 422005 | 22217EK1.C3 | H 317 | 046224 |
| HFO 518 | 720950 | 720956 | 496151 | 713156 | 713155 | 422007 | 22218EK1.C3 | H 318 | 046225 |
| HFO 519 | 720960 | 720962 | 496188 | 713158 | 713157 | 422979 | 22219EK1.C3 | H 319 | 719499 |
| HFO 520 | 720965 | 720970 | 496154 | 713160 | 713159 | 422009 | 22220EK1.C3 | H 320 | 046226 |
| HFO 522 | 720973 | 720975 | 496157 | 713162 | 713161 | 422011 | 22222EK1.C3 | H 322 | 046227 |
| HFO 524 | 720978 | 720982 | 496159 | 713164 | 713163 | 422013 | 22224EK1.C3 | H 3124 | 046228 |
| HFO 526 | 720987 | 720993 | 496162 | 713166 | 713165 | 422015 | 22226EK1.C3 | H 3126 | 046229 |
| HFO 528 | 739229 | 721005 | 496165 | 713168 | 713167 | 422017 | 22228EK1.C3 | H 3128 | 046230 |
| HFO 530 | 721010 | 721014 | 496168 | 713170 | 713169 | 422019 | 22230EK1.C3 | H 3130 | 046231 |
| HFO 532 | 721018 | 721022 | 496171 | 713172 | 713171 | 422021 | 22232EK1.C3 | H 3132 | 046232 |
| HFO 534 | 721026 | 721030 | 496173 | 713175 | 713174 | 422023 | 22234EK1.C3 | H 3134 | 046233 |
| HFO 536 | 721034 | 721040 | 496176 | 713178 | 713176 | 422025 | 22236EK1.C3 | H 3136 | 046234 |
| HFO 538 | 739018 | 721044 | 496179 | 713182 | 713181 | 422027 | 22238MBK.C3 | H 3138 | 046235 |
| HFO 540 | 721046 | 721049 | 496182 | 713184 | 713183 | 422064 | 22240MBK.C3 | H 3140 | 046236 |
| HFO 544 | 721053 | 721057 | 496185 | 713186 | 713185 | 422029 | 22244MBK.C3 | H 3144 | 046237 |
| HFO 548 | | | 496187 | - | - | 703407 | 22248KMB.C3 | H 3148 | 719480 |

| Description | Complete housing unit in GGG40 | | Housing Only | Seal | | Spherical roller bearing | | Adapters | |
|-------------|--------------------------------|--------|--------------|----------|----------|--------------------------|-------------|-------------|----------|
| | Part No. | | Part No. | Part No. | Part No. | Part No. | Description | Description | Part No. |
| | A F/L | B F/L | B (No Seals) | A & B | B F/L | | | | |
| HFO 518 GGG | 720951 | 720957 | 496151 | 713156 | 713155 | 422007 | 22218EK1.C3 | H 318 | 046225 |
| HFO 520 GGG | 720966 | 720971 | 496154 | 713160 | 713159 | 422009 | 22220EK1.C3 | H 320 | 046226 |
| HFO 524 GGG | 720979 | 720983 | 496159 | 713164 | 713163 | 422013 | 22224EK1.C3 | H 3124 | 046228 |
| HFO 526 GGG | 720988 | 720994 | 496162 | 713166 | 713165 | 422015 | 22226EK1.C3 | H 3126 | 046229 |
| HFO 528 GGG | 721000 | 721006 | 496165 | 713168 | 713167 | 422017 | 22228EK1.C3 | H 3128 | 046230 |
| HFO 530 GGG | 721011 | 721015 | 496168 | 713170 | 713169 | 422019 | 22230EK1.C3 | H 3130 | 046231 |
| HFO 532 GGG | 721019 | 721023 | 496171 | 713172 | 713171 | 422021 | 22232EK1.C3 | H 3132 | 046232 |
| HFO 534 GGG | 721027 | 721031 | 496173 | 713175 | 713174 | 422023 | 22234EK1.C3 | H 3134 | 046233 |
| HFO 536 GGG | 721035 | 721041 | 496176 | 713178 | 713176 | 422025 | 22236EK1.C3 | H 3136 | 046234 |
| HFO 538 GGG | - | - | 496179 | 713182 | 713181 | 422027 | 22238MBK.C3 | H 3138 | 046235 |
| HFO 540 GGG | - | 721050 | 496182 | 713184 | 713183 | 422064 | 22240MBK.C3 | H 3140 | 046236 |
| HFO 544 GGG | 721054 | 721058 | 496185 | 713186 | 713185 | 422029 | 22244MBK.C3 | H 3144 | 046237 |

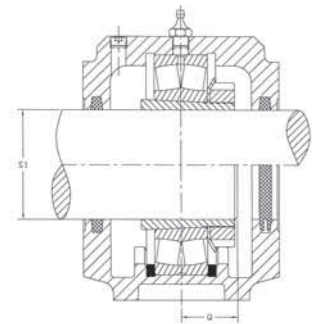
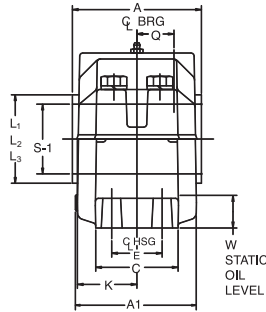
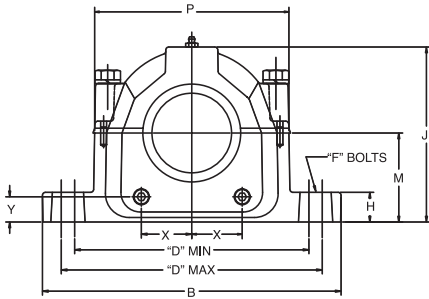
| | | | |
|---------------------------|----------------------|--|--|
| FEATURES/BENEFITS PAGE | NOMENCLATURE PAGE | | |
|---------------------------|----------------------|--|--|

SELECTION/DIMENSIONS



SNX 500

PLUMMER BLOCKS FOR BEARINGS 22200K, 23200K, 1200K, 2200K



Dimensions in mm

| Description | kg | S-1 SHAFT SIZE | A ₁ | B | C | D | | F BOLT DIA | H | J | K | M | P | Q | W | X | Y | A (WITH SEALS) | | | | | | L ₁ VR | L ₂ TS | L ₃ TT |
|-------------|------|----------------------|----------------|-----|-----|-----|-----|------------------|----|-----|-----|-----|-----|----|------|-----|----|-------------------|------|-----|-----|-----|-----|----------------------|----------------------|----------------------|
| | | | | | | MIN | MAX | | | | | | | | | | | LD | FELT | VR | TS | TT | EC | | | |
| | | | | | | | | | | | | | | | | | | | | | | | | | | |
| SNX 509 | 4,3 | 40 | 94 | 210 | 60 | 159 | 178 | M12 | 25 | 112 | 45 | 60 | 124 | 23 | 24,0 | 29 | 20 | 91 | 91 | 100 | 99 | 107 | 91 | 50 | 55 | 65 |
| SNX 510 | 5,1 | 45 | 99 | 210 | 60 | 165 | 178 | M12 | 23 | 113 | 48 | 60 | 130 | 24 | 29,0 | 31 | 17 | 95 | 95 | 105 | 103 | 111 | 95 | 55 | 63 | 70 |
| SNX 511 | 7,1 | 50 | 104 | 244 | 70 | 187 | 210 | M16 | 26 | 133 | 50 | 70 | 147 | 25 | 28,5 | 33 | 22 | 100 | 100 | 110 | 108 | 116 | 100 | 60 | 68 | 75 |
| SNX 512 | 9,5 | 55 | 116 | 270 | 70 | 197 | 230 | M16 | 29 | 139 | 56 | 70 | 156 | 27 | 32,0 | 38 | 20 | 112 | 112 | 121 | 119 | 127 | 112 | 65 | 75 | 82 |
| SNX 513 | 9,7 | 60 | 113 | 279 | 80 | 206 | 241 | M16 | 30 | 155 | 55 | 80 | 165 | 30 | 27,0 | 41 | 25 | 110 | 110 | 119 | 121 | 125 | 110 | 70 | 81 | 92 |
| SNX 515 | 11,3 | 65 | 121 | 283 | 80 | 219 | 245 | M16 | 29 | 161 | 59 | 80 | 179 | 31 | 38,0 | 44 | 21 | 117 | 117 | 124 | 126 | 130 | 117 | 75 | 86 | 97 |
| SNX 516 | 12,7 | 70 | 127 | 320 | 90 | 245 | 279 | M20 | 33 | 178 | 62 | 95 | 202 | 34 | 34,5 | 49 | 31 | 123 | 123 | 136 | 134 | 143 | 123 | 82 | 94 | 102 |
| SNX 517 | 15,7 | 75 | 132 | 320 | 90 | 251 | 279 | M20 | 32 | 187 | 63 | 95 | 208 | 36 | 35,5 | 53 | 28 | 125 | 125 | 139 | 137 | 145 | 125 | 87 | 100 | 107 |
| SNX 518 | 16,7 | 80 | 151 | 346 | 98 | 260 | 299 | M20 | 35 | 195 | 72 | 100 | 220 | 38 | 47,0 | 57 | 28 | 144 | 144 | 157 | 155 | 163 | 144 | 92 | 105 | 112 |
| SNX 519 | 27,0 | 85 | 156 | 360 | 98 | 276 | 314 | M20 | 35 | 214 | 75 | 112 | 229 | 41 | 39,5 | 60 | 35 | 150 | 150 | 162 | 161 | 169 | 150 | 97 | 110 | 124 |
| SNX 520 | 27,8 | 90 | 164 | 390 | 110 | 295 | 333 | M24 | 40 | 220 | 80 | 112 | 248 | 43 | 45,0 | 67 | 30 | 160 | 160 | 171 | 169 | 177 | 160 | 102 | 127 | 124 |
| SNX 522 | 35,8 | 100 | 174 | 419 | 120 | 324 | 364 | M24 | 45 | 238 | 84 | 125 | 269 | 48 | 53,5 | 73 | 34 | 168 | 168 | 177 | 175 | 183 | 168 | 112 | 139 | 144 |
| SNX 524 | 41,1 | 110 | 191 | 419 | 120 | 337 | 368 | M24 | 45 | 267 | 93 | 140 | 286 | 51 | 57,0 | 81 | 42 | 185 | 185 | 199 | 195 | 202 | 185 | 124 | 149 | 154 |
| SNX 526 | 55,2 | 115 | 197 | 445 | 130 | 374 | 387 | M24 | 50 | 290 | 95 | 150 | 315 | 55 | 49,0 | 84 | 39 | 191 | 191 | 204 | 200 | 211 | 191 | 129 | 158 | 154 |
| SNX 528 | 69,0 | 125 | 210 | 500 | 150 | 400 | 420 | M30 | 50 | 298 | 102 | 150 | 337 | 58 | 51,5 | 92 | 35 | 203 | 203 | 215 | 211 | 222 | 203 | 139 | 160 | 164 |
| SNX 530 | 77,3 | 135 | 226 | 530 | 160 | 443 | 457 | M30 | 60 | 317 | 110 | 160 | 364 | 63 | 53,0 | 91 | 34 | 220 | 220 | 233 | 230 | 239 | 220 | 149 | 180 | 176 |
| SNX 532 | 99,9 | 140 | 241 | 550 | 160 | 457 | 483 | M30 | 60 | 338 | 118 | 170 | 379 | 68 | 53,2 | 102 | 34 | 235 | 235 | 247 | 243 | 253 | 235 | 154 | 188 | 186 |

Please consult International Bearing Engineering Catalog for SNX 30, 200, 300 and 600, and for SNF and SDX series bearings

| | | | |
|---------------------------|----------------------|--|--|
| FEATURES/BENEFITS PAGE | NOMENCLATURE PAGE | | |
|---------------------------|----------------------|--|--|

SELECTION/DIMENSIONS



SNX 500 for Bearings 22200K and 23200K

IMPERIAL - ISAF

UNIFIED SAE

International Bearings

Sleeve Bearing

SLEEVOIL

| Description | Spherical roller bearing | | Fixing rings | | Adapters | | Spherical roller bearing | | Fixing rings | | Adapters | | Sight Glass | | | |
|-------------|--------------------------|----------|--------------|----------|----------|-------------|--------------------------|----------------|--------------|-------------|----------|----------|-------------|-------------|-------------|--------|
| | Description | Part No. | Description | Quantity | Part No. | Description | Part No. | Description | Part No. | Description | Quantity | Part No. | Description | Part No. | | |
| SNX 509 | 22209EK1.C3 | 422134 | FE 85x3.5 | 2 | 747105 | H 309 | 046331 | | | | | | | Oil Kit # 1 | 740452 | |
| SNX 510 | 22210EK1.C3 | 422137 | FE 90x9 | 2 | 747108 | H 310 | 046332 | | | | | | | Oil Kit # 1 | 740452 | |
| SNX 511 | 22211EK1.C3 | 422123 | FE 100x9.5 | 2 | 747111 | H 311 | 046219 | | | | | | | Oil Kit # 1 | 740452 | |
| SNX 512 | 22212EK1.C3 | 422978 | FE 110x10 | 2 | 747115 | H 312 | 046333 | | | | | | | Oil Kit # 1 | 740452 | |
| SNX 513 | 22213EK1.C3 | 422124 | FE 120x10 | 2 | 747118 | H 313 | 046221 | | | | | | | Oil Kit # 1 | 740452 | |
| SNX 515 | 22215EK1.C3 | 422001 | FE 130x12.5 | 2 | 747121 | H 315 | 046222 | | | | | | | Oil Kit # 1 | 740452 | |
| SNX 516 | 22216EK1.C3 | 422003 | FE 140x12.5 | 2 | 747123 | H 316 | 046223 | | | | | | | Oil Kit # 1 | 740452 | |
| SNX 517 | 22217EK1.C3 | 422005 | FE 150x12.5 | 2 | 747125 | H 317 | 046224 | | | | | | | Oil Kit # 2 | 740453 | |
| SNX 518 | 22218EK1.C3 | 422007 | FE 160x12.5 | 2 | 747128 | H 318 | 046225 | 23218K.C3 | 739329 | FE 160x6.25 | 2 | 747189 | H 2318 | 719400 | Oil Kit # 2 | 740453 |
| SNX 519 | 22219EK1.C3 | 422979 | FE 170x12.5 | 2 | 747130 | H 319 | 719499 | | | | | H 2319 | 046719 | Oil Kit # 2 | 740453 | |
| SNX 520 | 22220EK1.C3 | 422009 | FE 180x12 | 2 | 747132 | H 320 | 046226 | 23220K.C3 | 703941 | FE 180X4.85 | 2 | 747190 | H 2320 | 046720 | Oil Kit # 2 | 740453 |
| SNX 522 | 22222EK1.C3 | 422011 | FE 200x13.5 | 2 | 747137 | H 322 | 046227 | 23222K.C3 | 703951 | FE 200x5.1 | 2 | 747191 | H 2322 | 046721 | Oil Kit # 2 | 740453 |
| SNX 524 | 22224EK1.C3 | 422013 | FE 215x14 | 2 | 747141 | H 3124 | 046228 | 23224EASK.M.C3 | 703967 | FE 215x5 | 2 | 712225 | H 2324 | 046722 | Oil Kit # 2 | 740453 |
| SNX 526 | 22226EK1.C3 | 422015 | FE 230x13 | 2 | 747143 | H 3126 | 046229 | 23226K.C3 | 703971 | FE 230x5 | 2 | 747192 | H 2326 | 046723 | Oil Kit # 2 | 740453 |
| SNX 528 | 22228EK1.C3 | 422017 | FE 250x15 | 2 | 747146 | H 3128 | 046230 | 23228K.C3 | 703982 | FE 250x5 | 2 | 747193 | H 2328 | 719406 | Oil Kit # 2 | 740453 |
| SNX 530 | 22230EK1.C3 | 422019 | FE 270x16.5 | 2 | 747149 | H 3130 | 046231 | 23230K.C3 | 703989 | FE 270x5 | 2 | 747194 | H 2330 | 053201 | Oil Kit # 2 | 740453 |
| SNX 532 | 22232EK1.C3 | 422021 | FE 290x17 | 2 | 747152 | H 3132 | 046232 | 23232K.C3 | 703996 | FE 290x5 | 2 | 747195 | H 2332 | 719408 | Oil Kit # 2 | 740453 |

| Description | Housing GG | | SK LD seal | | SK FS seal | | VR seal | | Labyrinth seal | | Triple-Tect seal | | End cover | |
|-------------|---------------------|----------|---------------|----------|---------------|----------|-------------|----------|----------------|----------|------------------|----------|-------------|----------|
| | Description | Part No. | Description | Part No. | Description | Part No. | Description | Part No. | Description | Part No. | Description | Part No. | Description | Part No. |
| SNX 509 | SNX 209/509 | 747025 | SK 509 LD 40 | 496446 | SK 509 FS 40 | 496464 | VS0040 | 738141 | TS 209/509 | 747328 | TT 209/509 | 747384 | DK 55 | 709137 |
| SNX 510 | SNX 210/510/308/608 | 747026 | SK 510 LD 45 | 496447 | SK 510 FS 45 | 496465 | VS0045 | 738142 | TS 210/510 | 747329 | TT 210/510 | 747385 | DK 60 | 709140 |
| SNX 511 | SNX 211/511/309/609 | 747027 | SK 511 LD 50 | 496448 | SK 511 FS 50 | 496466 | VS0050 | 738143 | TS 211/511 | 747330 | TT 211/511 | 747386 | DK 65 | 709143 |
| SNX 512 | SNX 212/512/310/610 | 747028 | SK 512 LD 55 | 496449 | SK 512 FS 55 | 496467 | VS0055 | 738145 | TS 212/512 | 747331 | TT 212/512 | 747387 | DK 70 | 709146 |
| SNX 513 | SNX 213/513/311/611 | 747029 | SK 513 LD 60 | 496450 | SK 513 FS 60 | 496468 | VS0060 | 738146 | TS 213/513 | 747332 | TT 213/513 | 747388 | DK 75 | 709152 |
| SNX 515 | SNX 215/515/312/612 | 747030 | SK 515 LD 65 | 496451 | SK 515 FS 65 | 496469 | VS0065 | 738147 | TS 215/515 | 747333 | TT 215/515 | 747389 | DK 85 | 709162 |
| SNX 516 | SNX 216/516/313/613 | 747031 | SK 516 LD 70 | 496452 | SK 516 FS 70 | 496470 | VS0070 | 738148 | TS 216/516 | 747334 | TT 216/516 | 747390 | DK 90 | 709166 |
| SNX 517 | SNX 217/517/314 | 747032 | SK 517 LD 75 | 496453 | SK 517 FS 75 | 496471 | VS0075 | 738149 | TS 217/517 | 747335 | TT 217/517 | 747391 | DK 90 | 709166 |
| SNX 518 | SNX 218/518/315/615 | 747033 | SK 518 LD 80 | 496454 | SK 518 FS 80 | 496472 | VS0085 | 738151 | TS 218/518 | 747336 | TT 218/518 | 747392 | DK 100 | 708959 |
| SNX 519 | SNX 219/519/316/616 | 747034 | SK 519 LD 85 | 496455 | SK 519 FS 85 | 496473 | VS0090 | 738152 | TS 219/519 | 747337 | TT 219/519 | 747393 | DK 110 | 708966 |
| SNX 520 | SNX 220/520/317/617 | 747035 | SK 520 LD 90 | 496456 | SK 520 FS 90 | 496474 | VS0095 | 738154 | TS 220/520 | 747338 | TT 220/520 | 747394 | DK 115 | 708970 |
| SNX 522 | SNX 222/522/319/619 | 747036 | SK 522 LD 100 | 496457 | SK 522 FS 100 | 496475 | VS0100 | 738155 | TS 222/522 | 747339 | TT 222/522 | 747395 | DK 125 | 708976 |
| SNX 524 | SNX 224/524/320/620 | 747037 | SK 524 LD 110 | 496458 | SK 524 FS 110 | 496476 | VS0110 | 738157 | TS 224/524 | 747340 | TT 224/524 | 747396 | DK 135 | 708983 |
| SNX 526 | SNX 226/526 | 747038 | SK 526 LD 115 | 496459 | SK 526 FS 115 | 496477 | VS0115 | 738158 | TS 226/526 | 747341 | TT 226/526 | 747397 | DK 145 | 740381 |
| SNX 528 | SNX 228/528 | 747039 | SK 528 LD 125 | 496460 | SK 528 FS 125 | 496478 | VS0125 | 738160 | TS 228/528 | 747342 | TT 228/528 | 747398 | DK 155 | 740382 |
| SNX 530 | SNX 230/530 | 747040 | SK 530 LD 135 | 496461 | SK 530 FS 135 | 496479 | VS0135 | 738162 | TS 230/530 | 747343 | TT 230/530 | 747399 | DK 165 | 740383 |
| SNX 532 | SNX 232/532 | 747041 | SK 532 LD 140 | 496462 | SK 532 FS 140 | 496480 | VS0140 | 738163 | TS 232/532 | 747344 | TT 232/532 | 747400 | DK 175 | 740384 |

| | | | |
|------------------------|-------------------|--|--|
| FEATURES/BENEFITS PAGE | NOMENCLATURE PAGE | | |
|------------------------|-------------------|--|--|

SELECTION/DIMENSIONS



SNX 500 for Bearings 1200K and 2200K

| Description | Self-aligning ball bearings | | Fixing rings | | | Adapters | | Self-aligning ball bearings | | Fixing rings | | | Adapters | |
|-------------|-----------------------------|----------|--------------|----------|----------|-------------|----------|-----------------------------|----------|--------------|----------|----------|-------------|----------|
| | Description | Part No. | Description | Quantity | Part No. | Description | Part No. | Description | Part No. | Description | Quantity | Part No. | Description | Part No. |
| SNX 509 | 1209K.C3 | 052637 | FE 85x5.5 | 2 | 747177 | H 209 | 719372 | 2209K.C3 | 739150 | 85x3.5 | 2 | 747105 | H 309 | 046331 |
| SNX 510 | 1210K.C3 | 052638 | FE 90x10.5 | 2 | 747178 | H 210 | 719373 | 2210K.C3 | 702830 | 90x9 | 2 | 747108 | H 310 | 046332 |
| SNX 511 | 1211K.C3 | 052639 | FE 100x12 | 2 | 747179 | H 211 | 719374 | 2211K.C3 | 702844 | 100x9.5 | 2 | 747111 | H 311 | 046219 |
| SNX 512 | 1212K.C3 | 739145 | FE 110x13 | 2 | 747180 | H 212 | 719375 | 2212K.C3 | 702857 | 110x10 | 2 | 747115 | H 312 | 046333 |
| SNX 513 | 1213K.C3 | 052640 | FE 120x14 | 2 | 747181 | H 213 | 719376 | 2213K.C3 | 702867 | 120x10 | 2 | 747118 | H 313 | 046221 |
| SNX 515 | 1215K.C3 | 052641 | FE 130x15.5 | 2 | 747182 | H 215 | 719378 | 2215K.C3 | 739153 | 130x12.5 | 2 | 747121 | H 315 | 046222 |
| SNX 516 | 1216K.C3 | 052642 | FE 140x16 | 2 | 747183 | H 216 | 719379 | 2216K.C3 | 702883 | 140x12.5 | 2 | 747123 | H 316 | 046223 |
| SNX 517 | 1217K.C3 | 052643 | FE 150x16.5 | 2 | 747184 | H 217 | 719380 | 2217K.C3 | 702893 | 150x12.5 | 2 | 747125 | H 317 | 046224 |
| SNX 518 | 1218K.C3 | 052570 | FE 160x17.5 | 2 | 747185 | H 218 | 719381 | 2218K.C3 | 739154 | 160x12.5 | 2 | 747128 | H 318 | 046225 |
| SNX 519 | 1219K.C3 | 701659 | FE 170x18 | 2 | 747186 | H 219 | 719382 | 2219K.M.C3 | 702904 | 170x12.5 | 2 | 747130 | H 319 | 719499 |
| SNX 520 | 1220K.C3 | 052644 | FE 180x18 | 2 | 747187 | H 220 | 719383 | 2220K.M.C3 | 702907 | 180x12 | 2 | 747132 | H 320 | 046226 |
| SNX 522 | 1222K.C3 | 051841 | FE 200x21 | 2 | 747188 | H 222 | 719385 | 2222K.C3 | 421399 | 200x13.5 | 2 | 747137 | H 322 | 046227 |

IMPERIAL - ISAF

UNIFIED SAF

International Bearings

Sleeve Bearing

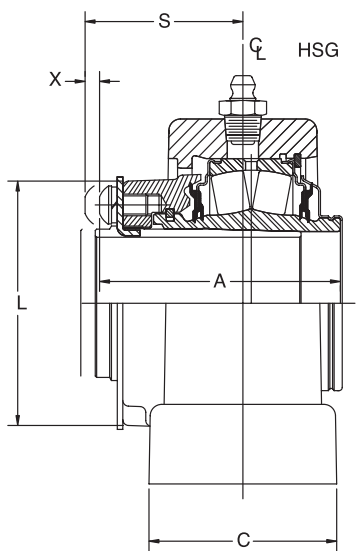
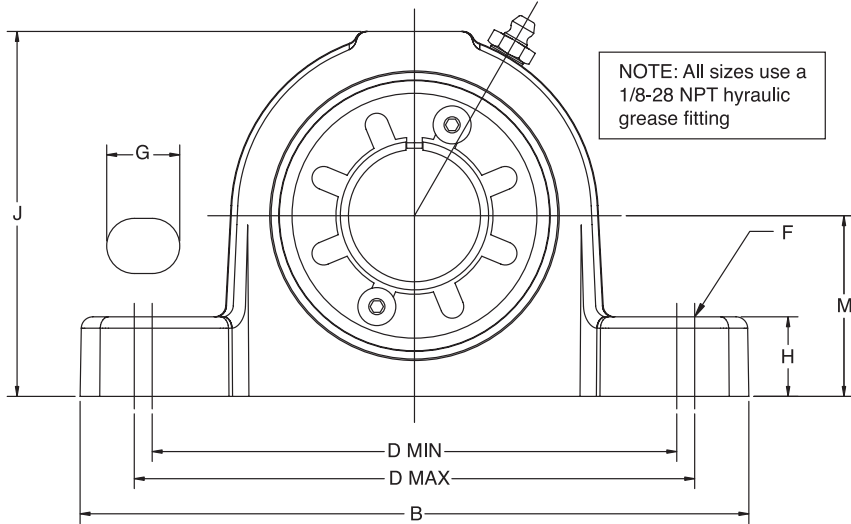
SLEEVOIL

| | | | |
|------------------------|-------------------|--|--|
| FEATURES/BENEFITS PAGE | NOMENCLATURE PAGE | | |
|------------------------|-------------------|--|--|

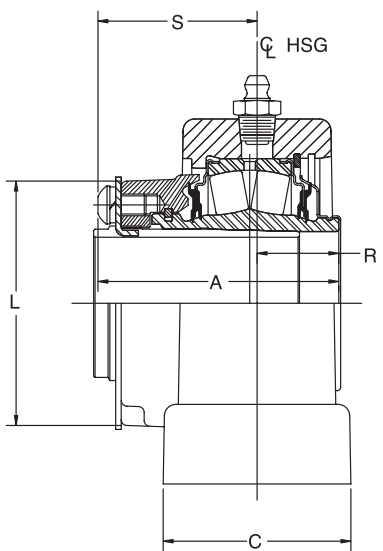
SELECTION/DIMENSIONS



IMPERIAL - ISN Metric Plummer Block 30 THROUGH 125mm, 2-BOLT



EXPANSION



NON-EXPANSION

IMPERIAL - ISAF

UNIFIED SAF

International Bearings

Sleeve Bearing

SLEEVOIL

| | | | |
|---------------------------|----------------------|--|--|
| FEATURES/BENEFITS PAGE | NOMENCLATURE PAGE | | |
|---------------------------|----------------------|--|--|

SELECTION/DIMENSIONS



IMPERIAL - ISN Metric Plummer Block 30 THROUGH 125mm, 2-BOLT

| Bearing | Shaft Size mm | TRIDENT Seal | | | | Labyrinth Seal | | | |
|---------|---------------|---------------|-----------------|----------------|----------------|----------------|----------------|----------------|----------------|
| | | NON-EXPANSION | | EXPANSION | | NON-EXPANSION | | EXPANSION | |
| | | Part Number | Description | Part Number | Description | Part Number | Description | Part Number | Description |
| 22208 | 30 | 071000 | ISN 507-030MFR | 071017 | ISN 507-030MLR | 071034 | ISN 507-030MFS | 071051 | ISN 507-030MLS |
| | 35 | 071001 | ISN 508-035MFR | 071018 | ISN 508-035MLR | 071035 | ISN 508-035MFS | 071052 | ISN 508-035MLS |
| 22209 | 40 | 071002 | ISN 509-040MFR | 071019 | ISN 509-040MLR | 071036 | ISN 509-040MFS | 071053 | ISN 509-040MLS |
| | 22210 | 45 | 071003 | ISN 510-045MFR | 071020 | ISN 510-045MLR | 071037 | ISN 510-045MFS | 071054 |
| 50 | | 071004 | ISN 511-050MFR | 071021 | ISN 511-050MLR | 071038 | ISN 511-050MFS | 071055 | ISN 511-050MLS |
| 22211 | 55 | 071005 | ISN 512-055MFR | 071022 | ISN 512-055MLR | 071039 | ISN 512-055MFS | 071056 | ISN 512-055MLS |
| 22213 | 60 | 071006 | ISN 513-060MFR | 071023 | ISN 513-060MLR | 071040 | ISN 513-060MFS | 071057 | ISN 513-060MLS |
| 22215 | 65 | 071007 | ISN 515-065MFR | 071024 | ISN 515-065MLR | 071041 | ISN 515-065MFS | 071058 | ISN 515-065MLS |
| | 70 | 071008 | ISN 516-070MFR | 071025 | ISN 516-070MLR | 071042 | ISN 516-070MFS | 071059 | ISN 516-070MLS |
| | 75 | 071009 | ISN 517-075MFR | 071026 | ISN 517-075MLR | 071043 | ISN 517-075MFS | 071060 | ISN 517-075MLS |
| 22218 | 80 | 071010 | ISN 518-080MFR | 071027 | ISN 518-080MLR | 071044 | ISN 518-080MFS | 071061 | ISN 518-080MLS |
| | 85 | 071011 | ISN 519-085MFR | 071028 | ISN 519-085MLR | 071045 | ISN 519-085MFS | 071062 | ISN 519-085MLS |
| 22220 | 90 | 071012 | ISN 520-090MFR | 071029 | ISN 520-090MLR | 071046 | ISN 520-090MFS | 071063 | ISN 520-090MLS |
| | 100 | 071013 | ISN 522-100MFR | 071030 | ISN 522-100MLR | 071047 | ISN 522-100MFS | 071064 | ISN 522-100MLS |
| 22222 | 110 | 071014 | ISN 524-110-MFR | 071031 | ISN 524-110MLR | 071048 | ISN 524-110MFS | 071065 | ISN 524-110MLS |
| 22226 | 115 | 071015 | ISN 526-115MFR | 071032 | ISN 526-115MLR | 071049 | ISN 526-115MFS | 071066 | ISN 526-115MLS |
| | 125 | 071016 | ISN 528-125MFR | 071033 | ISN 528-125MLR | 071050 | ISN 528-125MFS | 071067 | ISN 528-125MLS |

F = Non-Expansion, L = Expansion, R = Trident Rubbing Seal.; S = Labyrinth Seal

| Shaft Size mm | A | B | C | D | | F BOLT DIA | G | H | J | L | M | R | S | X TOTAL EXPANSION |
|---------------|-------|-------|-------|-------|-------|------------|------|----|-------|-------|-----|------|-------|-------------------|
| | | | | min | max | | | | | | | | | |
| 30 | 66.7 | 184.9 | 52.0 | 145.0 | 155.0 | M12 | 20 | 22 | 100.9 | 67.6 | 50 | 22.6 | 44.1 | 4 |
| 35 | 66.7 | 205.9 | 60.2 | 150.0 | 174.6 | M12 | 27.3 | 25 | 110.8 | 67.6 | 60 | 22.6 | 44.1 | 4 |
| 40 | 71.4 | 206.3 | 60.2 | 155.0 | 174.6 | M12 | 24.8 | 25 | 114 | 74.7 | 60 | 20.6 | 50.8 | 6.5 |
| 45 | 72.6 | 204.9 | 60.2 | 160.0 | 175.0 | M12 | 22.5 | 25 | 113.8 | 81 | 60 | 21.1 | 51.4 | 6.5 |
| 50 | 72.6 | 253.9 | 70.2 | 190.0 | 215.9 | M16 | 31 | 28 | 124.5 | 81 | 70 | 21.1 | 51.4 | 6.5 |
| 55 | 77.0 | 253.9 | 69.9 | 190.0 | 216.0 | M16 | 31 | 30 | 130.3 | 87.1 | 70 | 23.4 | 54.2 | 6.5 |
| 60 | 86.9 | 274.9 | 80.2 | 205.0 | 235.0 | M16 | 33 | 30 | 152.4 | 96.5 | 80 | 27.1 | 59.7 | 7 |
| 65 | 88.9 | 280.1 | 80.1 | 215.0 | 236.0 | M16 | 28.5 | 30 | 156 | 106.7 | 80 | 26.9 | 61.7 | 7 |
| 70 | 88.9 | 315.9 | 90.2 | 244.5 | 268.3 | M20 | 34.1 | 32 | 176 | 106.7 | 95 | 26.9 | 61.7 | 7 |
| 75 | | | | | | | | | | | | | | |
| 80 | 106.0 | 345.3 | 100.3 | 270.0 | 293.7 | M20 | 34 | 35 | 196.7 | 124.7 | 100 | 34.5 | 71.4 | 7 |
| 85 | 106.0 | 345.0 | 100.2 | 264.2 | 296.1 | M20 | 37.9 | 35 | 205.2 | 124.7 | 112 | 34.5 | 71.4 | 7 |
| 90 | 120.0 | 379.8 | 110.2 | 292.8 | 327.0 | M24 | 43.1 | 40 | 218.3 | 138.7 | 112 | 37.2 | 82.3 | 8 |
| 100 | 120.0 | 410.0 | 120.0 | 314.4 | 356.0 | M24 | 46.8 | 45 | 239 | 138.7 | 125 | 37.2 | 82.3 | 8 |
| 110 | 133.0 | 410.0 | 120.0 | 314.5 | 356.0 | M24 | 46.8 | 45 | 260.7 | 161.3 | 140 | 44.4 | 88.4 | 10 |
| 115 | 152.0 | 444.8 | 130.0 | 359.6 | 387.0 | M24 | 41.7 | 50 | 292.8 | 191.8 | 150 | 48.6 | 103.2 | 10 |
| 125 | 152.0 | 500.0 | 150.2 | 400.0 | 427.0 | M30 | 48.5 | 50 | 290.4 | 191.8 | 150 | 48.6 | 103.2 | 10 |

For information on flange and flange pilot bearings, inserts and wide slot take-ups please consult the DODGE International Bearing Engineering Catalog.

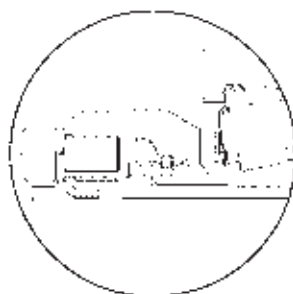
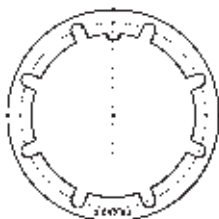
| | | | |
|------------------------|-------------------|--|--|
| FEATURES/BENEFITS PAGE | NOMENCLATURE PAGE | | |
|------------------------|-------------------|--|--|

SELECTION/DIMENSIONS



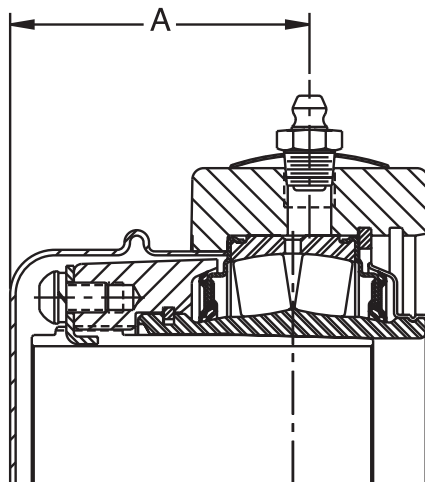
ISN LOCKPLATE KITS

| Size | Part No. |
|------|----------|
| 30 | 048937 |
| 35 | 048937 |
| 40 | 048938 |
| 45 | 018939 |
| 50 | 048939 |
| 55 | 048940 |
| 60 | 048929 |
| 65 | 048930 |
| 70 | 048930 |
| 75 | 048930 |
| 80 | 048931 |
| 85 | 048931 |
| 90 | 048932 |
| 100 | 048932 |
| 110 | 048933 |
| 115 | 048934 |
| 125 | 048934 |



ISN END COVER

| Housing | Part No. | Description | Dimensions in mm |
|---------|----------|-------------|------------------|
| 507 | 069960 | IPEC08 | 49.5 |
| 508 | 069960 | IPEC08 | 49.5 |
| 509 | 069961 | IPEC09 | 55.0 |
| 510 | 069962 | IPEC10 | 58.3 |
| 511 | 069962 | IPEC10 | 58.3 |
| 512 | 069963 | IPEC11 | 61.7 |
| 513 | 069964 | IPEC13 | 66.3 |
| 515 | 069965 | IPEC15 | 70.0 |
| 516 | 069965 | IPEC15 | 70.0 |
| 517 | 069965 | IPEC15 | 70.0 |
| 518 | 069966 | S2IPEC18 | 78.3 |
| 519 | 069966 | S2IPEC18 | 78.3 |
| 520 | 069967 | S2IPEC20 | 91.2 |
| 522 | 069967 | S2IPEC20 | 91.2 |
| 524 | 069968 | S2IPEC22 | 97.7 |
| 526 | 069969 | S2IPEC26 | 111.4 |
| 528 | 069969 | S2IPEC26 | 111.4 |



PLUMMER BLOCK

FEATURES/BENEFITS
PAGE

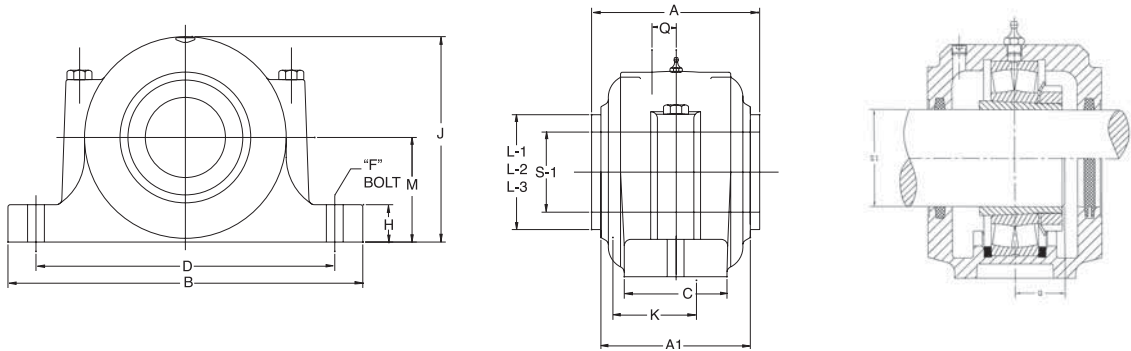
NOMENCLATURE
PAGE

SELECTION/DIMENSIONS



SSND 500

PLUMMER BLOCKS FOR BEARINGS 22200K, 23200K, 1200K, 2200K



| Dimensions in mm | | | | | | | | | | | | | | | | | | | | | |
|------------------|------|----------------------|-----|-----|-----|-----|------------------|----|-----|-------|-----|--------|-------------------|-----|--------------|-------|------------|------------|-----------|-----------|-----------|
| Description | kg | S-1 SHAFT SIZE | A1 | B | C | D | F BOLT DIA | H | J | K | M | Q ★ | A (WITH SEALS) | | | | | | L-1 VR | L-3 TS | L-2 TT |
| | | | | | | | | | | | | | FELT | LD | END COVER | VR | TS SEAL | TT SEAL | | | |
| SSND 509 | 4.2 | 40 | 85 | 205 | 60 | 170 | M12 | 25 | 110 | 42.5 | 60 | 22.5 | 85 | 85 | 85 | 97.2 | 95 | 101.2 | 50.2 | 63 | 65.2 |
| SSND 510 | 4.5 | 45 | 90 | 205 | 60 | 170 | M12 | 25 | 115 | 45 | 60 | 23.5 | 90 | 90 | 90 | 102.2 | 100 | 106.2 | 55.2 | 68 | 70.2 |
| SSND 511 | 5.6 | 50 | 95 | 255 | 70 | 210 | M16 | 28 | 130 | 47.5 | 70 | 24.5 | 93 | 95 | 93 | 103.2 | 107 | 107.2 | 60.2 | 75 | 75.2 |
| SSND 512 | 6.4 | 55 | 105 | 255 | 70 | 210 | M16 | 30 | 135 | 52.5 | 70 | 27 | 105 | 105 | 105 | 116.2 | 119 | 123.8 | 67.2 | 81 | 82.2 |
| SSND 513 | 8.1 | 60 | 111 | 275 | 80 | 230 | M16 | 30 | 150 | 55.5 | 80 | 29.5 | 111 | 111 | 111 | 121.2 | 125 | 128.8 | 72.2 | 86 | 87.2 |
| SSND 515 | 8.7 | 65 | 115 | 280 | 80 | 230 | M16 | 30 | 155 | 57.5 | 80 | 30.5 | 115 | 115 | 115 | 126.2 | 129 | 133.8 | 77.2 | 94 | 97.2 |
| SSND 516 | 11.1 | 70 | 120 | 315 | 90 | 260 | M20 | 32 | 175 | 60 | 95 | 33.5 | 120 | 120 | 120 | 134.8 | 134 | 138.8 | 82.2 | 100 | 102.2 |
| SSND 517 | 12.1 | 75 | 125 | 320 | 90 | 260 | M20 | 32 | 185 | 62.5 | 95 | 36 | 125 | 125 | 125 | 136.8 | 139 | 140.8 | 87.2 | 105 | 107.2 |
| SSND 518 | 14.8 | 80 | 145 | 345 | 100 | 290 | M20 | 35 | 195 | 72.5 | 100 | 38 | 145 | 145 | 145 | 160.8 | 159 | 164.8 | 92.2 | 110 | 112.2 |
| SSND 520 | 19.3 | 90 | 160 | 380 | 110 | 320 | M24 | 40 | 215 | 80 | 112 | 43 | 160 | 160 | 160 | 175.8 | 174 | 182.8 | 104.2 | 127 | 129.2 |
| SSND 522 | 24.7 | 100 | 175 | 410 | 120 | 350 | M24 | 45 | 240 | 87.5 | 125 | 47.5 | 175 | 175 | 175 | 189.8 | 189 | 196.8 | 114.2 | 139 | 139.2 |
| SSND 524 | 28.0 | 110 | 185 | 410 | 120 | 350 | M24 | 45 | 270 | 92.5 | 140 | 51 | 185 | 185 | 185 | 202.8 | 199 | 206.8 | 124.2 | 149 | 149.2 |
| SSND 526 | 35.5 | 115 | 190 | 445 | 130 | 380 | M24 | 50 | 290 | 95 | 150 | 55 | 190 | 190 | 190 | 205.8 | 204 | 209.8 | 129.2 | 158 | 159.2 |
| SSND 528 | 45.0 | 125 | 205 | 500 | 150 | 420 | M30 | 50 | 300 | 102.5 | 150 | 58 | 205 | 205 | 205 | 217.8 | 220 | 221.8 | 140.7 | 168 | 170.7 |
| SSND 530 | 53.5 | 135 | 220 | 530 | 160 | 450 | M30 | 60 | 325 | 110 | 160 | 62.5 | 220 | 220 | 220 | 232.8 | 235 | 239.9 | 150.7 | 180 | 180.7 |
| SSND 532 | 62.0 | 140 | 235 | 550 | 160 | 470 | M30 | 60 | 345 | 117.5 | 170 | 68 | 235 | 235 | 235 | 246.8 | 250 | 253.9 | 155.7 | 188 | 190.7 |

Please consult International Bearing Engineering Catalog for SSND 200, 300 and 600 bearings.

| | | | |
|---------------------------|----------------------|--|--|
| FEATURES/BENEFITS PAGE | NOMENCLATURE PAGE | | |
|---------------------------|----------------------|--|--|

SELECTION/DIMENSIONS



SSND 500

PLUMMER BLOCKS FOR BEARINGS 22200K AND 23200K

| Description | Spherical Roller Bearing | | Fixing rings | | | Adapters | |
|-------------|--------------------------|----------|--------------|----------|----------|-------------|----------|
| | Description | Part No. | Description | Quantity | Part No. | Description | Part No. |
| SSND 509 | 22209EK1.C3 | 422134 | FE 85x3.5 | 2 | 747105 | H 309 | 046331 |
| SSND 510 | 22210EK1.C3 | 422137 | FE 90x9 | 2 | 747108 | H 310 | 046332 |
| SSND 511 | 22211EK1.C3 | 422123 | FE 100x9.5 | 2 | 747111 | H 311 | 046219 |
| SSND 512 | 22212EK1.C3 | 422978 | FE 110x10 | 2 | 747115 | H 312 | 046333 |
| SSND 513 | 22213EK1.C3 | 422124 | FE 120x10 | 2 | 747118 | H 313 | 046221 |
| SSND 515 | 22215EK1.C3 | 422001 | FE 130x12.5 | 2 | 747121 | H 315 | 046222 |
| SSND 516 | 22216EK1.C3 | 422003 | FE 140x12.5 | 2 | 747123 | H 316 | 046223 |
| SSND 517 | 22217EK1.C3 | 422005 | FE 150x12.5 | 2 | 747125 | H 317 | 046224 |
| SSND 518 | 22218EK1.C3 | 422007 | FE 160x12.5 | 2 | 747128 | H 318 | 046225 |
| SSND 520 | 22220EK1.C3 | 422009 | FE 180x12 | 2 | 747132 | H 320 | 046226 |
| SSND 522 | 22222EK1.C3 | 422011 | FE 200x13.5 | 2 | 747137 | H 322 | 046227 |
| SSND 524 | 22224EK1.C3 | 422013 | FE 215x14 | 2 | 747141 | H 3124 | 046228 |
| SSND 526 | 22226EK1.C3 | 422015 | FE 230x13 | 2 | 747143 | H 3126 | 046229 |
| SSND 528 | 22228EK1.C3 | 422017 | FE 250x15 | 2 | 747146 | H 3128 | 046230 |
| SSND 530 | 22230EK1.C3 | 422019 | FE 270x16.5 | 2 | 747149 | H 3130 | 046231 |
| SSND 532 | 22232EK1.C3 | 422021 | FE 290x17 | 2 | 747152 | H 3132 | 046232 |

| Description | Spherical roller bearing | | Fixing rings | | | Adapters | |
|-------------|--------------------------|----------|--------------|----------|----------|-------------|----------|
| | Description | Part No. | Description | Quantity | Part No. | Description | Part No. |
| SSND 509 | | | | | | | |
| SSND 510 | | | | | | | |
| SSND 511 | | | | | | | |
| SSND 512 | | | | | | | |
| SSND 513 | | | | | | | |
| SSND 515 | | | | | | | |
| SSND 516 | | | | | | | |
| SSND 517 | | | | | | | |
| SSND 518 | 23218K.C3 | 739329 | FE 160x6.25 | 2 | 747189 | H 2318 | 719400 |
| SSND 520 | 23220K.C3 | 703941 | FE 180x4.85 | 2 | 747190 | H 2320 | 046720 |
| SSND 522 | 23222K.C3 | 703951 | FE 200x5.1 | 2 | 747191 | H 2322 | 046721 |
| SSND 524 | 23224EASK.M.C3 | 703967 | FE 215x5 | 2 | 712225 | H 2324 | 046722 |
| SSND 526 | 23226K.C3 | 703971 | FE 230x5 | 2 | 747192 | H 2326 | 046723 |
| SSND 528 | 23228K.C3 | 703982 | FE 250x5 | 2 | 747193 | H 2328 | 719406 |
| SSND 530 | 23230K.C3 | 703989 | FE 270x5 | 2 | 747194 | H 2330 | 053201 |
| SSND 532 | 23232K.C3 | 703996 | FE 290x5 | 2 | 747195 | H 2332 | 719408 |

FEATURES/BENEFITS
PAGE

NOMENCLATURE
PAGE

SELECTION/DIMENSIONS



SSND 500 PLUMMER BLOCKS FOR BEARINGS 1200K AND 2200K

| Description | Self-aligning ball bearings | | Fixing rings | | | Adapters | | Self-aligning ball bearings | | Fixing rings | | | Adapters | |
|-------------|-----------------------------|----------|--------------|----------|----------|-------------|----------|-----------------------------|----------|--------------|----------|----------|-------------|----------|
| | Description | Part No. | Description | Quantity | Part No. | Description | Part No. | Description | Part No. | Description | Quantity | Part No. | Description | Part No. |
| SSND 509 | 1209K.C3 | 052637 | 5.5 x 85 | 2 | 747177 | H 209 | 719372 | 2209K.C3 | 739150 | 3.5 x 85 | 2 | 747105 | H 309 | 046331 |
| SSND 510 | 1210K.C3 | 052638 | 10.5 x 90 | 2 | 747178 | H 210 | 719373 | 2210K.C3 | 702830 | 9 x 90 | 2 | 747108 | H 310 | 046332 |
| SSND 511 | 1211K.C3 | 052639 | 12 x 100 | 2 | 747179 | H 211 | 719374 | 2211K.C3 | 702844 | 10 x 100 | 2 | 712071 | H 311 | 046219 |
| SSND 512 | 1212K.C3 | 739145 | 13 x 110 | 2 | 747180 | H 212 | 719375 | 2212K.C3 | 702857 | 10 x 110 | 2 | 747115 | H 312 | 046333 |
| SSND 513 | 1213K.C3 | 052640 | 14 x 120 | 2 | 747181 | H 213 | 719376 | 2213K.C3 | 702867 | 10 x 120 | 2 | 747118 | H 313 | 046221 |
| SSND 515 | 1215K.C3 | 052641 | 15.5 x 130 | 2 | 747182 | H 215 | 719378 | 2215K.C3 | 739153 | 12.5 x 130 | 2 | 747121 | H 315 | 046222 |
| SSND 516 | 1216K.C3 | 052642 | 16 x 140 | 2 | 747183 | H 216 | 719379 | 2216K.C3 | 702883 | 12.5 x 140 | 2 | 747123 | H 316 | 046223 |
| SSND 517 | 1217K.C3 | 052643 | 16.5 x 150 | 2 | 747184 | H 217 | 719380 | 2217K.C3 | 702893 | 12.5 x 150 | 2 | 747125 | H 317 | 046224 |
| SSND 518 | 1218K.C3 | 052570 | 17.5 x 160 | 2 | 747185 | H 218 | 719381 | 2218K.C3 | 739154 | 12.5 x 160 | 2 | 747128 | H 318 | 046225 |
| SSND 520 | 1220K.C3 | 052644 | 18 x 180 | 2 | 747187 | H 220 | 719383 | 2220K.M.C3 | 702907 | 12 x 180 | 2 | 747132 | H 320 | 046226 |
| SSND 522 | 1222K.C3 | 051841 | 21 x 200 | 2 | 747188 | H 222 | 719385 | 2222K.C3 | 421399 | 13.5 x 200 | 2 | 747137 | H 322 | 046227 |

SSND 500 - SEALS

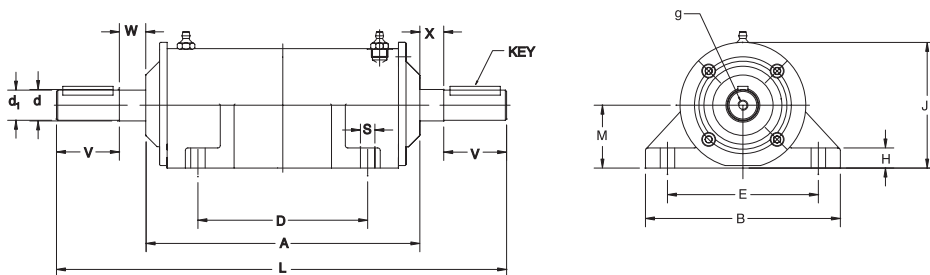
| Description | Housing | | SK LD seal | | SK FS seal | | VR seal | | Labyrinth seal | | Triple-Tect seal | | End cover | |
|-------------|----------------------|----------|---------------|----------|---------------|----------|-------------|----------|----------------|----------|------------------|----------|-------------|----------|
| | Description | Part No. | Description | Part No. | Description | Part No. | Description | Part No. | Description | Part No. | Description | Part No. | Description | Part No. |
| SSND 509 | SSND 209/509 | 747051 | SK 509 LD 40 | 496446 | SK 509 FS 40 | 496464 | VS0040 | 738141 | TS 209/509 | 747328 | TT 209/509 | 747384 | DK 55 | 709137 |
| SSND 510 | SSND 210/510/308/608 | 747052 | SK 510 LD 45 | 496447 | SK 510 FS 45 | 496465 | VS0045 | 738142 | TS 210/510 | 747329 | TT 210/510 | 747385 | DK 60 | 709140 |
| SSND 511 | SSND 211/511/309/609 | 747053 | SK 511 LD 50 | 496448 | SK 511 FS 50 | 496466 | VS0050 | 738143 | TS 211/511 | 747330 | TT 211/511 | 747386 | DK 65 | 709143 |
| SSND 512 | SSND 212/512/310/610 | 747054 | SK 512 LD 55 | 496449 | SK 512 FS 55 | 496467 | VS0055 | 738145 | TS 212/512 | 747331 | TT 212/512 | 747387 | DK 70 | 709146 |
| SSND 513 | SSND 213/513/311/611 | 747055 | SK 513 LD 60 | 496450 | SK 513 FS 60 | 496468 | VS0060 | 738146 | TS 213/513 | 747332 | TT 213/513 | 747388 | DK 75 | 709152 |
| SSND 515 | SSND 215/515/312/612 | 747056 | SK 515 LD 65 | 496451 | SK 515 FS 65 | 496469 | VS0065 | 738147 | TS 215/515 | 747333 | TT 215/515 | 747389 | DK 85 | 709162 |
| SSND 516 | SSND 216/516/313/613 | 747057 | SK 516 LD 70 | 496452 | SK 516 FS 70 | 496470 | VS0070 | 738148 | TS 216/516 | 747334 | TT 216/516 | 747390 | DK 90 | 709166 |
| SSND 517 | SSND 217/517/314 | 747058 | SK 517 LD 75 | 496453 | SK 517 FS 75 | 496471 | VS0075 | 738149 | TS 217/517 | 747335 | TT 217/517 | 747391 | DK 90 | 709166 |
| SSND 518 | SSND 218/518/315/615 | 747059 | SK 518 LD 80 | 496454 | SK 518 FS 80 | 496472 | VS0085 | 738151 | TS 218/518 | 747336 | TT 218/518 | 747392 | DK 100 | 708959 |
| SSND 520 | SSND 220/520/317/617 | 747060 | SK 520 LD 90 | 496456 | SK 520 FS 90 | 496474 | VS0095 | 738154 | TS 220/520 | 747338 | TT 220/520 | 747394 | DK 115 | 708970 |
| SSND 522 | SSND 222/522/319/619 | 747061 | SK 522 LD 100 | 496457 | SK 522 FS 100 | 496475 | VS0100 | 738155 | TS 222/522 | 747339 | TT 222/522 | 747395 | DK 125 | 708976 |
| SSND 524 | SSND 224/524/320/620 | 747062 | SK 524 LD 110 | 496458 | SK 524 FS 110 | 496476 | VS0110 | 738157 | TS 224/524 | 747340 | TT 224/524 | 747396 | DK 135 | 708983 |
| SSND 526 | SSND 226/526 | 747063 | SK 526 LD 115 | 496459 | SK 526 FS 115 | 496477 | VS0115 | 738158 | TS 226/526 | 747341 | TT 226/526 | 747397 | DK 145 | 740381 |
| SSND 528 | SSND 228/528 | 747064 | SK 528 LD 125 | 496460 | SK 528 FS 125 | 496478 | VS0125 | 738160 | TS 228/528 | 747342 | TT 228/528 | 747398 | DK 155 | 740382 |
| SSND 530 | SSND 230/530 | 747065 | SK 530 LD 135 | 496461 | SK 530 FS 135 | 496479 | VS0135 | 738162 | TS 230/530 | 747343 | TT 230/530 | 747399 | DK 165 | 740383 |
| SSND 532 | SSND 232/532 | 747066 | SK 532 LD 140 | 496462 | SK 532 FS 140 | 496480 | VS0140 | 738163 | TS 232/532 | 747344 | TT 232/532 | 747400 | DK 175 | 740384 |

| | | | |
|------------------------|-------------------|--|--|
| FEATURES/BENEFITS PAGE | NOMENCLATURE PAGE | | |
|------------------------|-------------------|--|--|

SELECTION/DIMENSIONS



BL-W KPL and BL-W



| Housing complete with bearings and shaft | | | Housing Only | | | Shaft Dimensions in mm | | | | | | | | | | | | | | |
|--|----------|-------|--------------|----------|------|------------------------|----------------|-----|-----|-----|-----|----|-----|------|-----|-----|----|------|------|------|
| Description | Part No. | kg | Description | Part No. | kg | d | d ₁ | A | B | D | E | H | J | L | M | V | W | X | g | S |
| BL-W 25 KPL E | 707015 | 7.0 | BL-W 25 | 707014 | 6.5 | 25 | 24 | 218 | 155 | 135 | 120 | 18 | 95 | 358 | 50 | 50 | 21 | 19 | M 8 | 11.5 |
| BL-W 30 KPL E | 707025 | 8.7 | BL-W 30 | 707020 | 7.8 | 30 | 28 | 300 | 170 | 210 | 130 | 18 | 100 | 470 | 50 | 50 | 20 | M 10 | 15 | |
| BL-W 35 KPL E | 707057 | 10.4 | BL-W 35 | 707056 | 9.2 | 35 | 32 | 330 | 190 | 240 | 150 | 20 | 120 | 530 | 60 | 60 | 55 | 25 | M 12 | 15 |
| BL-W 40 KPL E | 707069 | 12.4 | BL-W 40 | 707063 | 10.7 | 40 | 38 | 330 | 190 | 240 | 150 | 20 | 120 | 530 | 60 | 60 | 55 | 25 | M 12 | 15 |
| BL-W 45 KPL E | 707111 | 16.3 | BL-W 45 | 707107 | 14.0 | 45 | 42 | 365 | 190 | 263 | 150 | 23 | 140 | 575 | 70 | 65 | 55 | 26 | M 16 | 15 |
| BL-W 50 KPL E | 707134 | 15.9 | BL-W 50 | 707125 | 13.0 | 50 | 48 | 365 | 190 | 263 | 150 | 23 | 140 | 585 | 70 | 70 | 55 | 25 | M 16 | 15 |
| BL-W 55 KPL E | 707191 | 25.7 | BL-W 55 | 707187 | 22.0 | 55 | 50 | 408 | 210 | 295 | 170 | 25 | 160 | 645 | 80 | 80 | 53 | 23 | M 16 | 20 |
| BL-W 60 KPL E | 707213 | 25.8 | BL-W 60 | 707201 | 21.2 | 60 | 55 | 408 | 210 | 295 | 170 | 25 | 160 | 645 | 80 | 80 | 55 | 25 | M 20 | 20 |
| BL-W 70 KPL E | 707271 | 38.0 | BL-W 70 | 707261 | 31.0 | 70 | 65 | 450 | 270 | 330 | 210 | 28 | 190 | 755 | 95 | 110 | 58 | 28 | M 20 | 24 |
| BL-W 75 KPL E | 707291 | 40.7 | BL-W 75 | 707287 | 32.5 | 75 | 70 | 450 | 270 | 330 | 210 | 28 | 190 | 755 | 95 | 110 | 60 | 25 | M 20 | 24 |
| BL-W 80 KPL E | 707328 | 60.4 | BL-W 80 | 707319 | 50.0 | 80 | 75 | 486 | 290 | 350 | 230 | 30 | 217 | 805 | 112 | 110 | 70 | 25 | M 20 | 24 |
| BL-W 85 KPL E | 707347 | 85.0 | BL-W 85 | 726962 | 53.5 | 85 | 80 | 590 | 350 | 440 | 290 | 30 | 225 | 935 | 112 | 120 | 80 | 25 | M 20 | 24 |
| BL-W 90 KPL E | 707353 | 90.0 | BL-W 90 | 706967 | 85.0 | 90 | 85 | 590 | 335 | 450 | 280 | 35 | 240 | 935 | 120 | 120 | 80 | 25 | M 20 | 24 |
| BL-W 95 KPL E | 707368 | 95.0 | BL-W 95 | 707363 | 60.3 | 95 | 90 | 536 | 340 | 400 | 280 | 35 | 245 | 935 | 125 | 140 | 87 | 35 | M 24 | 24 |
| BL-W 100 KPL E | 706998 | 110.0 | BL-W 100 | 706974 | 95.0 | 100 | 95 | 590 | 400 | 450 | 335 | 40 | 290 | 1050 | 145 | 140 | 77 | 104 | M 24 | 24 |
| BL-W 110 KPL E | 707006 | 120.0 | BL-W 110 | 706976 | 86.0 | 110 | 100 | 590 | 400 | 450 | 335 | 40 | 290 | 1050 | 145 | 160 | 78 | 82 | M 24 | 24 |

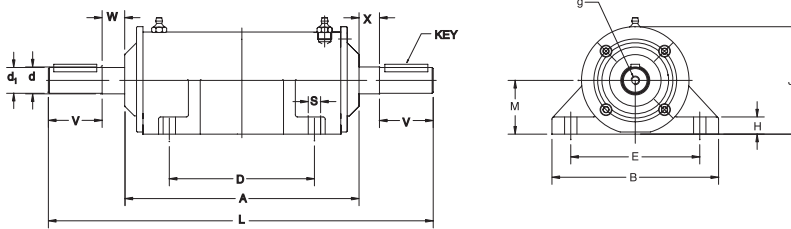
| Housing complete with bearings and shaft | | | Housing Only | | | Bearings | Key | Max. RPM (min-1) |
|--|----------|-------|--------------|----------|------|------------|---------------|---------------------|
| Description | Part No. | kg | Description | Part No. | kg | | | |
| BL-W 25 KPL E | 707015 | 7.0 | BL-W 25 | 707014 | 6.5 | 2x 6305 C3 | 8 x 7 x 40 | 11000 |
| BL-W 30 KPL E | 707025 | 8.7 | BL-W 30 | 707020 | 7.8 | 2x 6306 C3 | 8 x 7 x 40 | 9500 |
| BL-W 35 KPL E | 707057 | 10.4 | BL-W 35 | 707056 | 9.2 | 2x 6307 C3 | 10 x 8 x 50 | 8500 |
| BL-W 40 KPL E | 707069 | 12.4 | BL-W 40 | 707063 | 10.7 | 2x 6308 C3 | 10 x 8 x 50 | 7500 |
| BL-W 45 KPL E | 707111 | 16.3 | BL-W 45 | 707107 | 14.0 | 2x 6309 C3 | 12 x 8 x 56 | 6700 |
| BL-W 50 KPL E | 707134 | 15.9 | BL-W 50 | 707125 | 13.0 | 2x 6310 C3 | 14 x 9 x 56 | 6000 |
| BL-W 55 KPL E | 707191 | 25.7 | BL-W 55 | 707187 | 22.0 | 2x 6311 C3 | 14 x 9 x 63 | 5300 |
| BL-W 60 KPL E | 707213 | 25.8 | BL-W 60 | 707201 | 21.2 | 2x 6312 C3 | 16 x 10 x 63 | 5000 |
| BL-W 70 KPL E | 707271 | 38.0 | BL-W 70 | 707261 | 31.0 | 2x 6314 C3 | 18 x 11 x 90 | 4300 |
| BL-W 75 KPL E | 707291 | 40.7 | BL-W 75 | 707287 | 32.5 | 2x 6315 C3 | 20 x 12 x 90 | 4000 |
| BL-W 80 KPL E | 707328 | 60.4 | BL-W 80 | 707319 | 50.0 | 2x 6316 C3 | 20 x 12 x 90 | 3800 |
| BL-W 85 KPL E | 707347 | 85.0 | BL-W 85 | 726962 | 53.5 | 2x 6317 C3 | 22 x 14 x 100 | 3400 |
| BL-W 90 KPL E | 707353 | 90.0 | BL-W 90 | 706967 | 85.0 | 2x 6318 C3 | 22 x 14 x 100 | 3400 |
| BL-W 95 KPL E | 707368 | 95.0 | BL-W 95 | 707363 | 60.3 | 2x 6319 C3 | 25 x 14 x 100 | 3200 |
| BL-W 100 KPL E | 706998 | 110.0 | BL-W 100 | 706974 | 95.0 | 2x 6320 C3 | 25 x 14 x 125 | 3000 |
| BL-W 110 KPL E | 707006 | 120.0 | BL-W 110 | 706976 | 86.0 | 2x 6322 C3 | 28 x 16 x 160 | 2600 |

| | | | |
|------------------------|-------------------|--|--|
| FEATURES/BENEFITS PAGE | NOMENCLATURE PAGE | | |
|------------------------|-------------------|--|--|

SELECTION/DIMENSIONS



BLO-A KPL and BLO-A TWO-BEARING HOUSINGS



| With bearings and shaft | | Housing Only | | kg | Dimensions in mm | | | | | | | | | | | | | | | | |
|-------------------------|----------|--------------|----------|-----|------------------|----------------|----------------|----------------|----------|-----|-----|----|----------------|-----|----------------|------|-----|----------------|-----|----------------|----------------|
| Description | Part No. | Description | Part No. | | d | d ₂ | d ₃ | d ₄ | dg | A | B | C | I ₁ | H | H ₁ | I | E | E ₁ | s | I ₂ | I ₃ |
| BLO 40 A KPL | 744856 | BLO 40 A | 707400 | 23 | 40 | 50 | 42 | 37 | M 40x1,5 | 290 | 295 | 40 | 250 | 80 | 165 | 380 | 230 | 235 | M16 | 410 | 135 |
| BLO 45 A KPL | 744857 | BLO 45 A | 707402 | 24 | 45 | 55 | 47 | 40 | M 45x1,5 | 290 | 295 | 40 | 250 | 80 | 165 | 380 | 230 | 235 | M16 | 410 | 135 |
| BLO 50 A KPL | 744858 | BLO 50 A | 707405 | 27 | 50 | 60 | 52 | 45 | M 50x1,5 | 320 | 348 | 45 | 300 | 95 | 192 | 432 | 260 | 285 | M16 | 444 | 175 |
| BLO 55 A KPL | 744859 | BLO 55 A | 707410 | 30 | 55 | 65 | 57 | 50 | M 55x2 | 320 | 348 | 45 | 300 | 95 | 192 | 432 | 260 | 285 | M16 | 444 | 175 |
| BLO 60 A KPL | 744860 | BLO 60 A | 707415 | 55 | 60 | 70 | 62 | 55 | M 60x2 | 370 | 390 | 50 | 340 | 110 | 222 | 480 | 300 | 320 | M20 | 490 | 205 |
| BLO 65 A KPL | 744861 | BLO 65 A | 707419 | 56 | 65 | 75 | 67 | 60 | M 65x2 | 370 | 390 | 50 | 340 | 110 | 222 | 480 | 300 | 320 | M20 | 490 | 205 |
| BLO 70 A KPL | 744862 | BLO 70 A | 707422 | 72 | 70 | 80 | 72 | 65 | M 70x2 | 400 | 450 | 55 | 400 | 120 | 245 | 556 | 330 | 370 | M20 | 573 | 265 |
| BLO 75 A KPL | 744863 | BLO 75 A | 707428 | 70 | 75 | 85 | 77 | 70 | M 75x2 | 400 | 450 | 55 | 400 | 120 | 245 | 556 | 330 | 370 | M20 | 573 | 265 |
| BLO 80 A KPL | 744864 | BLO 80 A | 707431 | 105 | 80 | 90 | 82 | 75 | M 80x2 | 460 | 520 | 60 | 460 | 135 | 272 | 645 | 380 | 430 | M24 | 655 | 301 |
| BLO 85 A KPL | 744865 | BLO 85 A | 707434 | 120 | 85 | 95 | 87 | 80 | M 85x2 | 160 | 520 | 60 | 460 | 135 | 272 | 645 | 380 | 430 | M24 | 655 | 299 |
| BLO 90 A KPL | 744866 | BLO 90 A | 707439 | 140 | 90 | 105 | 92 | 85 | M 90x2 | 560 | 585 | 70 | 520 | 150 | 317 | 736 | 445 | 490 | M36 | 756 | 357 |
| BLO 95 A KPL | 744867 | BLO 95 A | 707453 | 145 | 95 | 110 | 97 | 90 | M 95x2 | 560 | 585 | 70 | 520 | 150 | 317 | 736 | 445 | 490 | M36 | 756 | 357 |
| BLO 100 A KPL | 744868 | BLO 100 A | 707376 | 145 | 100 | 115 | 102 | 95 | M 100x2 | 560 | 585 | 70 | 520 | 150 | 317 | 736 | 445 | 490 | M36 | 766 | 368 |
| BLO 110 A KPL | 744869 | BLO 110 A | 707381 | 150 | 110 | 125 | 112 | 105 | M 110x2 | 560 | 585 | 70 | 520 | 150 | 317 | 736 | 445 | 490 | M36 | 746 | 364 |
| BLO 120 A KPL | 744870 | BLO 120 A | 707385 | 220 | 120 | 140 | 122 | 115 | M 120x2 | 600 | 955 | 75 | 900 | 160 | 330 | 1105 | 480 | 860 | M36 | 1125 | 730 |
| BLO 130 A KPL | 744871 | BLO 130 A | 707389 | 340 | 130 | 150 | 132 | 125 | M 130x2 | 690 | 830 | 90 | 750 | 200 | 397 | 1024 | 550 | 710 | M42 | 1050 | 554 |
| BLO 140 A KPL | 744872 | BLO 140 A | 707391 | 350 | 140 | 160 | 142 | 135 | M 140x2 | 690 | 830 | 90 | 750 | 200 | 397 | 1024 | 550 | 710 | M42 | 1050 | 554 |

| With bearings and shaft | | Housing Only | | Dimensions in mm | | | | | | | Oil Quantity | Expansion | Non-expans. | Locknut | Lock-washer | Max. RPM (min.-1) |
|-------------------------|----------|--------------|----------|------------------|----------------|-----|----------------|----|-----|-----|--------------|-----------|-------------|---------|-------------|----------------------|
| Description | Part No. | Description | Part No. | L | I ₁ | I | d ₅ | P | V | W | | | | | | |
| BLO 40 A KPL | 744856 | BLO 40 A | 707400 | 560 | 80 | 40 | 35 | 10 | 100 | 50 | 0.9 | NU 308 C3 | 6308 C3 | KM 8 | MB 8 | 7500 |
| BLO 45 A KPL | 744857 | BLO 45 A | 707402 | 560 | 80 | 40 | 40 | 12 | 100 | 50 | 0.9 | NU 309 C3 | 6309 C3 | KM 9 | MB 9 | 6700 |
| BLO 50 A KPL | 744858 | BLO 50 A | 707405 | 634 | 90 | 50 | 42 | 12 | 120 | 70 | 1.5 | NU 310 C3 | 6310 C3 | KM 10 | MB 10 | 6300 |
| BLO 55 A KPL | 744859 | BLO 55 A | 707410 | 634 | 90 | 50 | 48 | 14 | 120 | 70 | 1.5 | NU 311 C3 | 6311 C3 | KM 11 | MB 11 | 5600 |
| BLO 60 A KPL | 744860 | BLO 60 A | 707415 | 700 | 90 | 56 | 50 | 14 | 130 | 80 | 2.2 | NU 312 C3 | 6312 C3 | KM 12 | MB 12 | 5000 |
| BLO 65 A KPL | 744861 | BLO 65 A | 707419 | 700 | 90 | 56 | 50 | 14 | 130 | 80 | 2.2 | NU 313 C3 | 6313 C3 | KM 13 | MB 13 | 4800 |
| BLO 70 A KPL | 744862 | BLO 70 A | 707422 | 803 | 90 | 56 | 55 | 16 | 140 | 90 | 3.0 | NU 314 C3 | 6314 C3 | KM 14 | MB 14 | 4500 |
| BLO 75 A KPL | 744863 | BLO 75 A | 707428 | 803 | 90 | 56 | 65 | 18 | 140 | 90 | 3.0 | NU 315 C3 | 6315 C3 | KM 15 | MB 15 | 4000 |
| BLO 80 A KPL | 744864 | BLO 80 A | 707431 | 895 | 100 | 63 | 70 | 20 | 150 | 90 | 4.0 | NU 316 C3 | 6316 C3 | KM 16 | MB 16 | 3800 |
| BLO 85 A KPL | 744865 | BLO 85 A | 707434 | 895 | 100 | 63 | 75 | 20 | 150 | 90 | 4.0 | NU 317 C3 | 6317 C3 | KM 17 | MB 17 | 3600 |
| BLO 90 A KPL | 744866 | BLO 90 A | 707439 | 1016 | 100 | 70 | 80 | 22 | 160 | 100 | 6.0 | NU 318 C3 | 6318 C3 | KM 18 | MB 18 | 3400 |
| BLO 95 A KPL | 744867 | BLO 95 A | 707453 | 1016 | 100 | 70 | 85 | 22 | 160 | 100 | 6.0 | NU 319 C3 | 6319 C3 | KM 19 | MB 19 | 3400 |
| BLO 100 A KPL | 744868 | BLO 100 A | 707376 | 1036 | 140 | 70 | 90 | 25 | 170 | 100 | 6.0 | NU 220 C3 | 6220 C3 | KM 20 | MB 20 | 3600 |
| BLO 110 A KPL | 744869 | BLO 110 A | 707381 | 1026 | 140 | 80 | 100 | 28 | 180 | 100 | 6.0 | NU 222 C3 | 6222 C3 | KM 22 | MB 22 | 3200 |
| BLO 120 A KPL | 744870 | BLO 120 A | 707385 | 1465 | 140 | 100 | 110 | 28 | 200 | 140 | 10.0 | NU 224 C3 | 6224 C3 | KM 24 | MB 24 | 3000 |
| BLO 130 A KPL | 744871 | BLO 130 A | 707389 | 1400 | 160 | 125 | 120 | 32 | 200 | 150 | 18.0 | NU 226 C3 | 6226 C3 | KM 26 | MB 26 | 2800 |
| BLO 140 A KPL | 744872 | BLO 140 A | 707391 | 1450 | 210 | 140 | 130 | 32 | 220 | 180 | 20.0 | NU 228 C3 | 6228 C3 | KM 28 | MB 28 | 2600 |

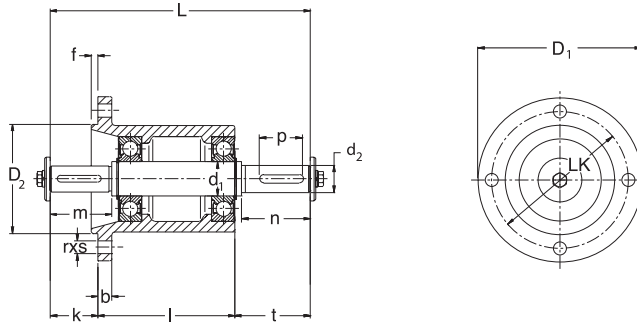
| | | | |
|---------------------------|----------------------|--|--|
| FEATURES/BENEFITS PAGE | NOMENCLATURE PAGE | | |
|---------------------------|----------------------|--|--|

SELECTION/DIMENSIONS



DFL 200

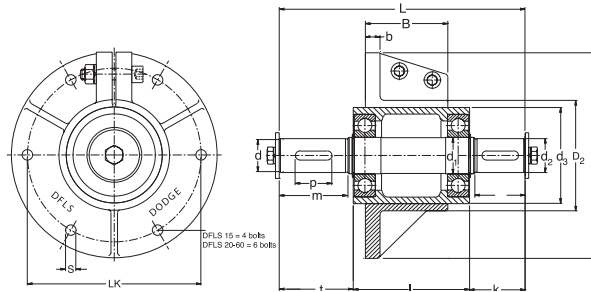
TWO-BEARING HOUSINGS - complete with bearings and shaft



| Housing complete with bearings and shaft | | | Dimensions in mm | | | | | | | | | | | | | | | Bearings | | Max. RPM |
|--|----------|------|------------------|----------------|----------------|----------------|-----|---|----------|----|----|----|-----|----|------|-----|----|-----------------|---------|----------|
| Description | Part No. | kg | d ₁ | d ₂ | D ₁ | D ₂ | LK | f | r x s | n | m | k | l | t | b | L | p | | (min-1) | |
| DFL 204 KPL | 708444 | 2.3 | 20 | 18 | 135 | 70 | 110 | 5 | 6 x 9,5 | 50 | 38 | 45 | 85 | 53 | 10 | 183 | 32 | 2 x 6304 2RS C3 | 9000 | |
| DFL 205 KPL | 708446 | 3.0 | 25 | 22 | 120 | 80 | 100 | 5 | 4 x 9,5 | 50 | 45 | 35 | 100 | 55 | 10 | 190 | 32 | 2 x 6305 2RS C3 | 7500 | |
| DFL 206 KPL | 708451 | 4.9 | 30 | 28 | 150 | 90 | 125 | 6 | 4 x 11,5 | 60 | 50 | 40 | 112 | 65 | 12,5 | 217 | 36 | 2 x 6306 2RS C3 | 6300 | |
| DFL 207 KPL | 708452 | 6.54 | 35 | 32 | 180 | 100 | 140 | 6 | 6 x 11,5 | 65 | 55 | 45 | 125 | 70 | 14 | 240 | 40 | 2 x 6307 2RS C3 | 5600 | |
| DFL 208 KPL | 708453 | 9.36 | 40 | 35 | 200 | 112 | 160 | 6 | 6 x 11,5 | 75 | 55 | 45 | 140 | 80 | 16 | 265 | 40 | 2 x 6308 2RS C3 | 5000 | |

DFLS

TWO-BEARING HOUSINGS - complete with bearings and shaft



| Housing complete with bearings and shaft | | | Dimensions in mm | | | | | | | | | | | | | | | Bearings | | Max. RPM |
|--|----------|------|------------------|----------------|----------------|----------------|----------------|-----|------|----|----|------|-----|------|-----|----|-----|----------|-----------------|----------|
| Description | Part No. | kg | d ₁ | d ₂ | d ₃ | D ₁ | D ₂ | LK | s | n | m | k | l | t | L | b | B | p | | (min-1) |
| DFLS 15 KPL | 708481 | 1.38 | 15 | 14 | 48 | 120 | 56 | 100 | 7 | 28 | 38 | 31 | 78 | 41 | 150 | 6 | 40 | 18 | 2 x 6302 2RS C3 | 12000 |
| DFLS 20 KPL | 708484 | 3.02 | 20 | 18 | 70 | 125 | 80 | 110 | 9,5 | 50 | 45 | 52,5 | 90 | 47,5 | 190 | 10 | 50 | 32 | 2 x 6304 2RS C3 | 9000 |
| DFLS 25 KPL | 708491 | 3.08 | 25 | 22 | 70 | 125 | 80 | 110 | 9,5 | 50 | 45 | 52,5 | 90 | 47,5 | 190 | 10 | 50 | 32 | 2 x 6305 2RS C3 | 7500 |
| DFLS 30 KPL | 708499 | 6.82 | 30 | 28 | 90 | 190 | 100 | 160 | 11,5 | 50 | 60 | 53,5 | 100 | 63,5 | 217 | 14 | 70 | 36 | 2 x 6306 2RS C3 | 6300 |
| DFLS 35 KPL | 708507 | 7.15 | 35 | 32 | 90 | 190 | 100 | 160 | 11,5 | 55 | 65 | 59 | 112 | 69,5 | 240 | 14 | 70 | 40 | 2 x 6307 2RS C3 | 5600 |
| DFLS 40 KPL | 708510 | 11.5 | 40 | 35 | 105 | 225 | 120 | 190 | 11,5 | 55 | 75 | 61,5 | 127 | 76,5 | 265 | 16 | 90 | 40 | 2 x 6308 2RS C3 | 5000 |
| DFLS 50 KPL | 708519 | 22.8 | 50 | 45 | 125 | 300 | 145 | 265 | 11,5 | 75 | 75 | 77,5 | 170 | 77,5 | 325 | 16 | 100 | 56 | 2 x 6310 2RS C3 | 4000 |
| DFLS 60 KPL | 708529 | 38.5 | 60 | 55 | 150 | 350 | 180 | 310 | 11,5 | 90 | 90 | 95 | 210 | 95 | 400 | 20 | 140 | 80 | 2 x 6312 2RS C3 | 3400 |

FEATURES/BENEFITS
PAGE

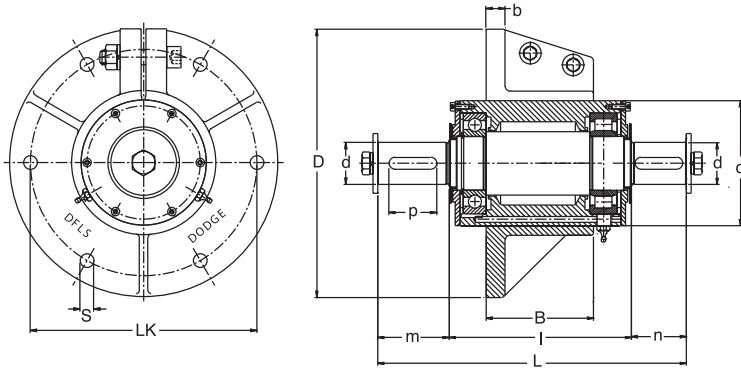
NOMENCLATURE
PAGE

SELECTION/DIMENSIONS



DFLS NS

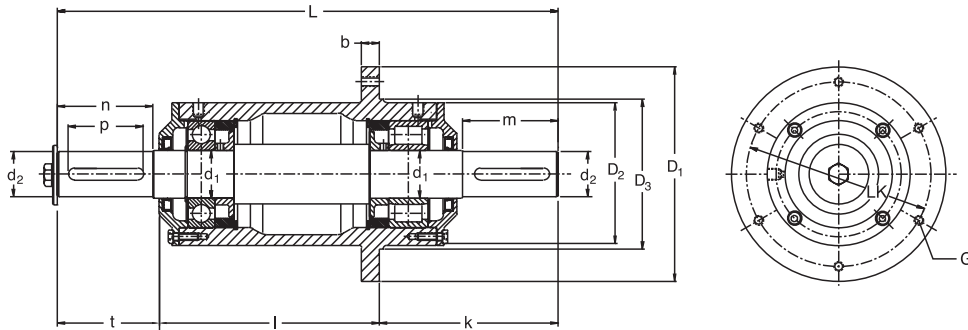
TWO-BEARING HOUSINGS - complete with bearings and shaft



| Housing complete with bearings and shaft | | | Dimensions in mm | | | | | | | | | | | Bearings | | Max. RPM | |
|--|----------|-------|------------------|----------------|-----|-----|------|-----|------|------|-----|-----|----|----------|----------|------------|---------|
| Description | Part No. | kg | d | d ₁ | D | LK | s | L | n | m | l | B | b | p | Impeller | drive | (min-1) |
| DFLS 20 KPL NS | 708487 | 3.25 | 18 | 70 | 125 | 110 | 9.5 | 190 | 42.5 | 37.5 | 110 | 50 | 10 | 28 | 6205 C3 | NU 2205 C3 | 12000 |
| DFLS 25 KPL NS | 708494 | 3.31 | 22 | 70 | 125 | 110 | 9.5 | 190 | 42.5 | 37.5 | 110 | 50 | 10 | 28 | 6205 C3 | NU 2205 C3 | 12000 |
| DFLS 30 KPL NS | 708500 | 7.19 | 28 | 90 | 190 | 160 | 11.5 | 217 | 45.0 | 50.0 | 127 | 70 | 14 | 32 | 6207 C3 | NU 2207 C3 | 8500 |
| DFLS 40 KPL NS | 708513 | 12.0 | 35 | 105 | 225 | 190 | 11.5 | 265 | 40.0 | 65.0 | 155 | 90 | 16 | 36 | 6209 C3 | NU 2209 C3 | 7000 |
| DFLS 50 KPL NS | 708522 | 23.54 | 45 | 125 | 300 | 265 | 11.5 | 325 | 74.0 | 74.0 | 177 | 100 | 16 | 56 | 6211 C3 | NU 2211 C3 | 6000 |
| DFLS 60 KPL NS | 708532 | 39.6 | 55 | 150 | 350 | 310 | 11.5 | 400 | 89.0 | 89.0 | 222 | 140 | 20 | 80 | 6312 C3 | NU 312 C3 | 4300 |

DFL

TWO-BEARING HOUSINGS - complete with bearings and shaft



| Housing complete with bearings and shaft | | | Dimensions in mm | | | | | | | | | | | Bearings | | Max. RPM | | | | |
|--|----------|-----|------------------|----------------|----------------|----------------|----------------|----------------|--------|----|----|-----|-----|----------|----|----------|----|----------|------------|---------|
| Description | Part No. | kg | d ₁ | d ₂ | D ₁ | D ₂ | D ₃ | L _K | G | n | m | k | l | t | b | L | p | Impeller | drive | (min-1) |
| DFL 30 | 708454 | 5.6 | 30 | 28 | 150 | 100 | 105 | 130 | 4 x M8 | 60 | 60 | 120 | 155 | 65 | 15 | 340 | 40 | 6206 C3 | NU 206 C3 | 11000 |
| DFL 35 | 708463 | 6.0 | 35 | 32 | 180 | 120 | 125 | 155 | 6 x M8 | 60 | 60 | 130 | 185 | 65 | 15 | 380 | 40 | 6307 C3 | NU 307 C3 | 8500 |
| DFL 40 | 708468 | 7.2 | 40 | 38 | 180 | 120 | 125 | 155 | 6 x M8 | 80 | 80 | 150 | 185 | 85 | 15 | 420 | 63 | 6308 C3 | NU 2308 C3 | 7500 |
| DFL 45 | 708474 | 8.0 | 45 | 40 | 200 | 140 | 145 | 175 | 6 x M8 | 80 | 80 | 160 | 195 | 85 | 15 | 440 | 63 | 6309 C3 | NU 2309 C3 | 6700 |

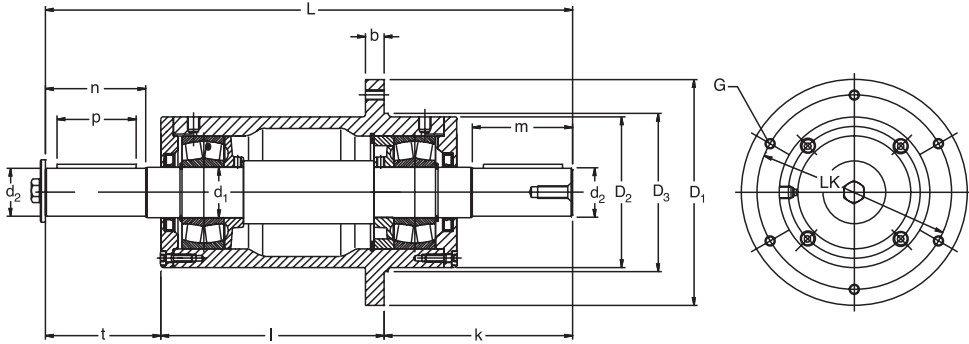
| | | | |
|------------------------|-------------------|--|--|
| FEATURES/BENEFITS PAGE | NOMENCLATURE PAGE | | |
|------------------------|-------------------|--|--|

SELECTION/DIMENSIONS



DFL HT

TWO-BEARING HOUSINGS - complete with bearings and shaft



| Housing complete with bearings and shaft | | | Dimensions in mm | | | | | | | | | | | | | | Spherical roller bearing | Max. RPM (min-1) | |
|--|----------|-----|------------------|----------------|----------------|----------------|----------------|-----|--------|----|----|-----|-----|----|----|-----|--------------------------|------------------|------|
| Description | Part No. | kg | d ₁ | d ₂ | D ₁ | D ₂ | D ₃ | LK | G | n | m | k | l | t | b | L | p | | |
| DFL 30 HT | 708455 | 5.6 | 30 | 28 | 150 | 100 | 105 | 130 | 4 x M8 | 60 | 60 | 120 | 148 | 72 | 15 | 340 | 40 | 2 x 22206 C3 | 7500 |
| DFL 35 HT | 708464 | 6.0 | 35 | 32 | 180 | 120 | 125 | 155 | 6 x M8 | 60 | 60 | 130 | 178 | 72 | 15 | 380 | 40 | 2 x 22207 C3 | 6300 |
| DFL 40 HT | 708469 | 7.2 | 40 | 38 | 180 | 120 | 125 | 155 | 6 x M8 | 80 | 80 | 150 | 178 | 92 | 15 | 420 | 63 | 2 x 22308 C3 | 4300 |
| DFL 45 HT | 708475 | 8.0 | 45 | 40 | 200 | 140 | 145 | 175 | 6 x M8 | 80 | 80 | 160 | 178 | 92 | 15 | 440 | 63 | 2 x 22309 C3 | 3800 |

IMPERIAL - ISAF

UNIFIED SAF

International Bearings

Sleeve Bearing

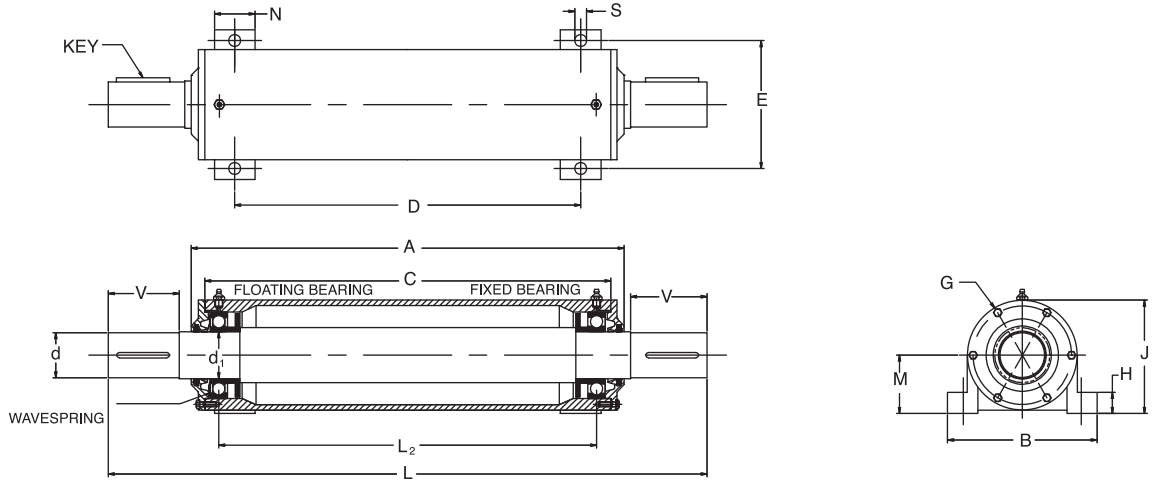
SLEEVOIL

| | | | |
|------------------------|-------------------|--|--|
| FEATURES/BENEFITS PAGE | NOMENCLATURE PAGE | | |
|------------------------|-------------------|--|--|

SELECTION/DIMENSIONS



PDFN and PDFN KPL TWO-BEARING HOUSINGS



| Housing Size | Housing Only Without Bearings and Shaft | | Housing Complete With Bearings and Shaft | | Dimensions in mm Abmessung in mm Dimensions en mm Dimensiones en mm Misura in mm | | | | | | | | | | | | | | | | | Bearings Lager Roulements Rodamientos Cuscinetti | Key |
|--------------|---|------|--|-----|--|----|-----|-----|-----|-----|-----|----|-----|------|----------------|-----|----|-----|---------|----|---------|--|-----|
| | PDFN Part Number | kg | PDFN KPL Part Number | kg | d ₁ | d | A | B | C | D | E | H | J | L | L ₂ | M | N | V | g | S | | | |
| 306 | 726921 | 5.5 | 726922 | 10 | 30 | 24 | 226 | 160 | 210 | 150 | 130 | 18 | 100 | 340 | 171.5 | 50 | 40 | 50 | 4 x M6 | 15 | 6306 C3 | 8 x 7 x 40 | |
| 307 | 726926 | 8 | 726927 | 14 | 35 | 28 | 260 | 190 | 239 | 175 | 150 | 18 | 116 | 395 | 195.5 | 60 | 45 | 60 | 4 x M6 | 15 | 6307 C3 | 8 x 7 x 40 | |
| 308 | 726929 | 10.5 | 726930 | 20 | 40 | 32 | 315 | 190 | 298 | 225 | 150 | 20 | 121 | 490 | 255.5 | 60 | 52 | 80 | 4 x M6 | 15 | 6308 C3 | 10 x 8 x 62 | |
| 309 | 726933 | 13.5 | 739024 | 25 | 45 | 38 | 360 | 210 | 340 | 250 | 170 | 22 | 137 | 535 | 279.5 | 70 | 52 | 80 | 4 x M6 | 15 | 6309 C3 | 10 x 8 x 62 | |
| 310 | 726936 | 15.5 | 726937 | 30 | 50 | 42 | 377 | 210 | 360 | 275 | 170 | 25 | 142 | 613 | 311.5 | 70 | 60 | 110 | 6 x M6 | 15 | 6310 C3 | 12 x 8 x 80 | |
| 311 | 726941 | 23 | 739025 | 40 | 55 | 48 | 422 | 260 | 400 | 300 | 210 | 25 | 158 | 658 | 335.5 | 80 | 60 | 110 | 4 X M6 | 19 | 6311 C3 | 14 x 9 x 80 | |
| 312 | 726943 | 26 | 726944 | 52 | 60 | 48 | 460 | 260 | 437 | 340 | 210 | 25 | 165 | 696 | 383.5 | 80 | 70 | 110 | 6 X M8 | 19 | 6312 C3 | 14 x 9 x 80 | |
| 313 | 726947 | 30 | 726948 | 57 | 65 | 55 | 492 | 280 | 470 | 360 | 230 | 25 | 185 | 728 | 402.5 | 95 | 70 | 110 | 6 X M8 | 19 | 6313 C3 | 16 x 10 x 80 | |
| 314 | 726953 | 33 | 726954 | 69 | 70 | 60 | 512 | 290 | 490 | 380 | 230 | 25 | 190 | 812 | 420.5 | 95 | 70 | 140 | 6 X M8 | 19 | 6314 C3 | 18 x 11 x 100 | |
| 315 | 726957 | 41 | 739027 | 81 | 75 | 65 | 547 | 320 | 508 | 400 | 260 | 30 | 200 | 847 | 448.5 | 100 | 80 | 140 | 6 X M8 | 19 | 6315 C3 | 20 x 12 x 100 | |
| 316 | 726959 | 52 | 726960 | 92 | 80 | 70 | 556 | 320 | 525 | 420 | 260 | 30 | 220 | 856 | 466.5 | 112 | 80 | 140 | 6 X M10 | 19 | 6316 C3 | 20 x 12 x 100 | |
| 317 | 726962 | 58 | 739028 | 115 | 85 | 75 | 590 | 350 | 559 | 440 | 290 | 30 | 225 | 890 | 486 | 112 | 80 | 140 | 6 X M10 | 19 | 6317 C3 | 22 x 14 x 100 | |
| 318 | 726964 | 62 | 739029 | 135 | 90 | 80 | 605 | 350 | 575 | 460 | 290 | 30 | 230 | 965 | 510 | 112 | 85 | 170 | 6 X M10 | 19 | 6318 C3 | 22 x 14 x 140 | |
| 319 | 726966 | 82 | 739030 | 154 | 95 | 85 | 648 | 400 | 605 | 480 | 320 | 36 | 253 | 1008 | 540 | 125 | 90 | 170 | 6 X M10 | 24 | 6319 C3 | 22 x 14 x 140 | |

| | | | |
|---------------------------|----------------------|--|--|
| FEATURES/BENEFITS PAGE | NOMENCLATURE PAGE | | |
|---------------------------|----------------------|--|--|

NOTES



IMPERIAL - ISAF

UNIFIED SAF

International

Sleeve Bearing

SLEEVOIL

| | | | |
|---------------------------|----------------------|--|--|
| FEATURES/BENEFITS PAGE | NOMENCLATURE PAGE | | |
|---------------------------|----------------------|--|--|

CONTENTS



Sleeve Bearings

| | |
|-----------------------------------|----------|
| Features / Benefits | B13-2 |
| Specification/How To Order | B13-4 |
| Nomenclature | B13-5 |
| Selection | |
| SOLIDLUBE® - Inch | B13-6 |
| SOLIDLUBE® - Metric | B13-8 |
| Babbitted and Bronze-Bushed | B13-10 |
| BRONZOIL® | B13-12 |
| Selection/Dimensions | |
| SOLIDLUBE® | B13-14 |
| Babbitted | B13-36 |
| Bronze-Bushed | B13-46 |
| BRONZOIL® | B13-50 |
| Shaft Collars | B13-52 |
| Part Number Index | INDEX-1 |
| Key Word Index | INDEX-34 |

IMPERIAL - ISAF

UNIFIED SAF

International Bearings

Sleeve Bearing

SLEEVOIL



FEATURES/BENEFITS

Sleeve Bearings

SOLIDLUBE

Self-Lubricating, Statically Self-Aligning Bearings for Extreme Industrial Applications



- Good in temperature extremes and inaccessible locations.
- Will function effectively in a vacuum.
- Ideal where bearings are subject to dry cycles or where lube systems would be too costly.
- Usable in many corrosive (chemical) medias.
- Will operate in submersible applications of some low viscosity liquids.
- Recommended for slow speeds and limited shaft movement applications.

FEATURES/BENEFITS



Sleeve Bearings

BABBITTED AND BRONZE-BUSHED BEARINGS



GOOD FOR SLOW SPEEDS AND SHOCK LOADS

- MPTA LOAD RATINGS
- Cast Iron Housings
- 2 and 4 Bolt Housings

Babbitted

- Solid or Fully Split Housing
- Babbitted Bearing Surface



Bronzed-Bushed

- Fully Split Housing
- Replaceable Split Bronze Bushings
- Brass Locking Spool for Easy Bushing Replacement

BRONZOIL



- Self Oiling Bushing Feeds Oil to Shaft
- Split Pressed Steel Housing
- Statically Self-Aligning
- Bushing Shoulder Provides Self-Lubricating Bearing Thrust Surface
- Slotted Bolt Holes
- Oil Resistant Rubber Grommets Available for Sound Isolation and Static Electricity Protection

IMPERIAL - ISAF

UNIFIED SAF

International Bearings

Sleeve Bearing

SLEEVOIL

SPECIFICATION/ HOW TO ORDER



Sleeve Bearings

HOW TO ORDER SLEEVE BEARINGS

There are two ways to specify DODGE Sleeve Bearings. Most of the product offering have part numbers with listings shown throughout this catalog. Use of part numbers ensures accurate order processing.

When part numbers are not shown, the product may be specified by description or part name. This method is used when ordering units that include modifications or options. To order by description, use the nomenclature key shown on page B13-5 and add any special instructions to the end of the description for options not covered by the nomenclature.

SOLIDLUBE

Statically self-aligning, non-galling, solid-film lubricating for temperature extremes.

- 700 Series: -40° to 700°F
- 1000 Series: -200° to -40°F; 250°F to 1,000°F
- 800 Series: -40° to 800°F

Also suitable for submerged and limited movement applications.

Babbitted

Grease lubricated for moderate speeds and loads, ambient temperature to 130°F, babbitt accurately bored to insure even load distribution for conveyor shafts, heavy gear, and chain drives use.

Bronze-Bushed

Grease lubricated for moderate speeds, ambient temperature to 300°F and heavy loads or shock loads make the advantage of a precision replaceable bronze bushing desirable. Other bushing material is available on a special order basis, such as bronze with graphite plugs, or phenolic resin on nylon.

BRONZOIL

Economical, statically self-aligning, and self-lubricating pillow blocks and four-bolt flange units for fans, light machinery, and other general use; ambient temperature to 180°F.

IMPERIAL - ISAF

UNIFIED SAF

International Bearings

Sleeve Bearing

SLEVOIL

NOMENCLATURE



Sleeve Bearings

SLEEVE BEARING NOMENCLATURE

P2B - LT7 - 108 - SH

MODIFICATIONS/FEATURES:

SH Stainless Steel Housing
(Available with SOLIDLUBE LT Series Only)

HOUSINGS:

| | |
|------|-------------------------------|
| P2B | Pillow Block, 2 Bolt Base |
| P4B | Pillow Block, 4 Bolt Base |
| F2B | Flange, 2 Bolt |
| F4B | Flange, 4 Bolt |
| HNG | Hanger Bearing |
| NSTU | Narrow Slot Take-Up |
| SCHB | Screw Conveyor Hanger Bearing |
| WSTU | Wide Slot Take-Up |
| TB | Tape Base |
| FB | Flange Bracket |

STYLE:

| | |
|-------|---|
| BO | BRONZOIL |
| BASO | Babbitted Solid |
| BASP | Babbitted Split |
| BAR | Babbitted Rigid |
| BAA | Babbitted Angle |
| BAP | Babbitted Plate |
| BZSP | Bronze Bushed Split |
| BZR | Bronze Bushed Rigid |
| BZA | Bronze Bushed Angle |
| LT7 | SOLIDLUBE LT700 Series |
| LT10 | SOLIDLUBE LT 1000 Series |
| LTB7 | SOLIDLUBE Lower Backing Height On Pillow Blocks For LT700 Series |
| LTB10 | SOLIDLUBE Lower Backing Height On Pillow Blocks For LT1000 Series |
| LT7NP | SOLIDLUBE LT700 Series Nickel Plate |
| LM8 | SOLIDLUBE LM800 Series |
| MM7 | SOLIDLUBE MM700 Series |
| MM10 | SOLIDLUBE MM1000 Series |

SHAFT SIZE:

115 First Digit: Number Of Inches
Second And Third Digit: Sixteenths Of An Inch
115 Indicates 1-15/16

50M FIRST TWO DIGITS: Bore In Millimeters;
M : Indicates Metric Dimension

IMPERIAL - ISAF

UNIFIED SAF

International Bearings

Sleeve Bearing

SLEEVOIL



Sleeve Bearings - SOLIDLUBE - Inch

Bearing Size

Select a bearing from tables for normal loads or loads in limited shaft movement applications having a radial load equal to or greater than the actual load. This simple method is all that is required for the majority of general machine applications using commercial steel shafting and operating in a dry atmosphere. (For more favorable conditions, ratings may be increased somewhat; consult factory). Shaft collars may be used for slight amounts of thrust. Generally the rule of 10% of the radial load applies. Dirty environments will reduce bearing life and should be avoided. Losses due to friction can be as high as 30% depending on speed, load, temperature and shaft material.

Shafting

Commercial steel shafting is good in applications where temperatures do not exceed 700°F. However, for extended bearing life, at any temperature, the shaft should be hardened to 35 Rockwell "C" or better. Shaft finish should be 10 to 20 micro-inches. A finish rougher than 20μ will lessen bearing life. A finish smoother than 10 will not allow the optimum lubricant film to develop. Shaft tolerance should be +.000/-.002 for commercial steel shafting. If using other shaft materials, consult DODGE for the shaft tolerance and thermal expansion.

When commercial shafting is exposed to a corrosive media, it will oxidize. A rusty shaft will grow in the bearing, thus eliminating clearances. In this case stainless steel shafting may be used and/or provide for regularly scheduled movement of shaft. In elevated temperatures stainless grades such as 17-4, 15-5, or 13-8 are hardenable. Shafts can be spray coated with ceramic or hard chrome. This is good up to about 800°F. Check with your supplier, since these coatings can flake off when the coefficient of thermal expansion of the base material differs greatly from that of the coating.

High grade specialty shafting may be used in excess of 1000°F. It may be less expensive to use sleeves of this material on more economical shafting.

Noise or High Pitched Squeal

Carbon-graphite bushings can develop a high frequency vibration in resonance with the operating system to cause noise. Dampening or change of resonant frequency of the shaft is required to eliminate noise.

Specials

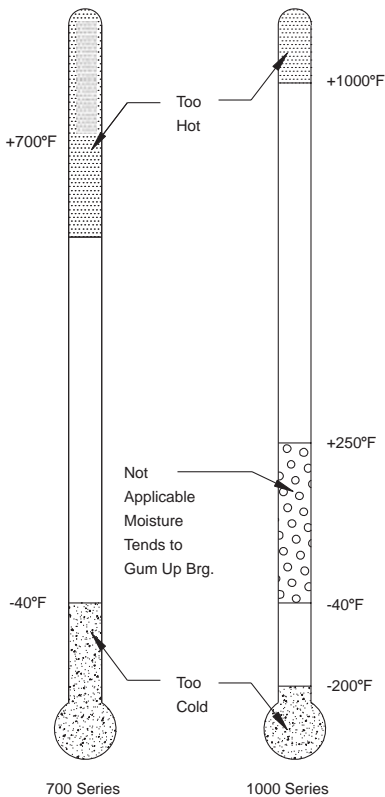
SOLIDLUBE bearings or bearings made from alternate bushing materials such as polymers, fibers, bronze, etc. for unusual operating and load conditions are available on a specially engineered basis by supplying the following:

- Shaft size, material and rpm.
- Normal load, shock load and frequency.
- Direction of load.
- Ambient temperature and atmospheric conditions (water, dirt, corrosive, etc.)
- Type of bearing: pillow block, flange bearing, etc.
- Housing material desired.
- Quantity.

End Closures

Ball Bearing end Closures are available (B3-136).

Note: SOLIDLUBE bearings are not designed for rotating housing applications



SOLIDLUBE Bearing Operating Temperature

FEATURES/BENEFITS
PAGE B13-2

SPECIFICATION/HTO
PAGE B13-4

NOMENCLATURE
PAGE B13-5

SELECTION/DIMENSIONS
PAGE B13-14

SELECTION



Sleeve Bearings - SOLIDLUBE - Inch

SOLIDLUBE 700, 1000 and 800 Series

SOLIDLUBE Bearing 700 and 1000 Series Radial Load Ratings in Pounds (Normal Loads)

| Shaft Size | Radial Load Ratings in Pounds at various Revolutions per Minute | | | | | | | | | | | | |
|-----------------------------|---|-------|------|------|------|------|------|------|-----|-----|-----|-----|--|
| | Up to 10 | 25 | 50 | 75 | 100 | 150 | 200 | 250 | 300 | 350 | 400 | 450 | |
| 3/4 | 560 | 560 | 560 | 560 | 560 | 380 | 285 | 230 | 190 | 165 | 145 | 125 | |
| 7/8, 15/16, 1 | 750 | 750 | 750 | 750 | 610 | 405 | 315 | 245 | 205 | 175 | 155 | 130 | |
| 1-1/8, 1-3/16 | 1050 | 1050 | 1050 | 908 | 680 | 450 | 340 | 270 | 225 | 190 | 170 | 150 | |
| 1-1/4, 1-3/8, 1-7/16, 1-1/2 | 1610 | 1610 | 1610 | 1140 | 855 | 570 | 430 | 340 | 280 | 245 | 215 | 190 | |
| 1-11/16, 1-3/4 | 1980 | 1980 | 1790 | 1190 | 895 | 595 | 440 | 390 | 295 | 255 | 220 | 200 | |
| 1-15/16, 2 | 2360 | 2360 | 1860 | 1240 | 930 | 620 | 465 | 370 | 310 | 265 | 235 | 205 | |
| 2-3/16 | 2870 | 2870 | 2010 | 1340 | 1000 | 670 | 500 | 400 | 335 | 285 | 250 | 225 | |
| 2-7/16, 2-1/2 | 3760 | 3760 | 2360 | 1580 | 1180 | 795 | 590 | 475 | 390 | 340 | 295 | 265 | |
| 2-15/16, 3 | 5970 | 5970 | 3120 | 2070 | 1560 | 1040 | 780 | 625 | 515 | 445 | 390 | 345 | |
| 3-7/16, 3-1/2 | 9100 | 8010 | 4000 | 2670 | 2000 | 1340 | 1000 | 800 | 670 | 570 | 500 | 445 | |
| 3-15/16, 4 | 11800 | 9160 | 4590 | 3060 | 2290 | 1530 | 1150 | 930 | 765 | 665 | 575 | 510 | |
| 4-7/16, 4-1/2 | 15200 | 10300 | 5150 | 3440 | 2580 | 1720 | 1290 | 1030 | 860 | 740 | 645 | ... | |
| 4-15/16, 5 | 18400 | 11400 | 5710 | 3810 | 2860 | 1910 | 1430 | 1140 | 955 | 815 | ... | ... | |

| Shaft Size | 500 | 550 | 600 | 700 | 800 | 900 | 1000 | 1100 | 1300 | 1600 | 1900 | 2200 | 2500 |
|-----------------------------|-----|-----|-----|-----|-----|-----|------|------|------|------|------|------|------|
| 3/4 | 110 | 105 | 96 | 82 | 72 | 64 | 57 | 52 | 44 | 35 | 30 | 26 | 22 |
| 7/8, 15/16, 1 | 120 | 110 | 105 | 90 | 80 | 70 | 60 | 54 | 47 | 38 | 32 | | |
| 1-1/8, 1-3/16 | 135 | 125 | 115 | 97 | 85 | 75 | 68 | 62 | 42 | 42 | | | |
| 1-1/4, 1-3/8, 1-7/16, 1-1/2 | 170 | 155 | 145 | 120 | 105 | 95 | 86 | 78 | 66 | | | | |
| 1-11/16, 1-3/4 | 180 | 165 | 150 | 130 | 110 | 99 | 89 | 81 | | | | | |
| 1-15/16, 2 | 185 | 170 | 155 | 135 | 115 | 105 | | | | | | | |
| 2-3/16 | 200 | 180 | 165 | 145 | 125 | | | | | | | | |
| 2-7/16, 2-1/2 | 235 | 215 | 195 | 170 | | | | | | | | | |
| 2-15/16, 3 | 345 | 315 | 290 | | | | | | | | | | |
| 3-7/16, 3-1/2 | 400 | 365 | | | | | | | | | | | |

NOTE: The above ratings apply to all base loaded pillow blocks, all cylindrical units and flange type bearings (up to 700°F). For flange bearings operating at temperatures above 700°F, cap and side loading of pillow blocks consult Application Engineering. For operations speeds below heavy line, use LT1000 and/or hardened shaft.

SOLIDLUBE Bearing Corrosion (Chemical) Resistance

| Type of Chemical | Chemical | Bearing Series | |
|--------------------------------------|-----------------------------------|----------------|------|
| | | LM800 700 | 1000 |
| Acids and Acidic Solutions | Mineral (Non-Oxidizing) | ★ | ★ |
| | Mineral (Oxidizing) | ■ | ★ |
| | Inorganic Salts (Acid Forming) | ★ | ★ |
| | Organic (Strong) | ★ | ★ |
| | Organic (Weak) pH 3-7 | ★ | ★ |
| | Organic Salts (Acid Forming) | ★ | ★ |
| Alkalis (Bases & Alkaline Solutions) | Mineral (Non-Oxidizing) | ★ | ★ |
| | Mineral (Oxidizing) | ▲ | ★ |
| | Inorganic Salts (Base Forming) | ★ | ★ |
| | Organic (Strong) | ★ | ★ |
| | Weak Organic Bases pH 7-11 | ★ | ★ |
| | | | |
| Gases | Acid | ★ | ★ |
| | Alkaline (base) | ★ | ★ |
| | Anhydrous (dew Point below -30°F) | ▲ | ▲ |
| | Cyrogenic (Liquefied) | ■ | ▲ |
| | Inert | ★ | ★ |
| | Oxidizing | ■ | ▲ |
| Salts | Reducing | ★ | ★ |
| | Acid Salts | ▲ | ▲ |
| | Alkaline Sales | ▲ | ▲ |
| | Metals | ★ | ★ |
| | Neutral Salts | ■ | ▲ |
| | Neutral Salt Solutions | ★ | ★ |
| Solvents | Aliphatic | ★ | ★ |
| | Aromatic | ★ | ★ |
| | Chlorinated, Fluorinated | ★ | ★ |
| | Oxygenated, Sulfides | ★ | ★ |

- ★ Good. Not known interaction; compatible
- ▲ Questionable (depends on conditions)
- Not recommended

Note: For compatibility or specific chemical, contact Application Engineering

700 and 1000 Series SOLIDLUBE Bearing Radial Load Rating in Pounds

(Limited Shaft Movement Applications) ▲

| Shaft Size | Max. Radial Load | | Max. Thrust |
|-----------------------------|------------------|---------------------|-------------|
| | Base Loaded | Cap or Side Loading | |
| 3/4 | 1100 | 775 | 56 |
| 7/8, 15/16, 1 | 1500 | 795 | 75 |
| 1-1/8, 1-3/16 | 2100 | 820 | 105 |
| 1-1/4, 1-3/8, 1-7/16, 1-1/2 | 3200 | 1710 | 161 |
| 1-11/16, 1-3/4 | 4000 | 1905 | 198 |
| 1-15/16, 2 | 4700 | 1920 | 236 |
| 2-3/16 | 5700 | 1900 | 287 |
| 2-7/16, 2-1/2 | 7500 | 2360 | 376 |
| 2-15/16, 3 | 12,000 | 4151 | 597 |

▲ Use only when shaft movement is limited to approx. ±90°. Movement is infrequent as opposed to continuous and maximum bearing temperature is 700°F.

LM800 Radial Load Ratings

| Bearing Size | Max. Radial Base Load | Max. Radial Cap Load |
|--------------|-----------------------|----------------------|
| 3/4 | 560 | 560 |
| 1 | 750 | 600 |
| 1-1/4 | 1610 | 600 |
| 1-1/2 | 1610 | 600 |

Note: These load ratings are to be used only when shaft rotation is less than 10 RPM and temperature does not exceed 800° F. Maximum allowable thrust load is 50 lbs.

| | | | |
|---------------------------------|---------------------------------|----------------------------|-------------------------------------|
| FEATURES/BENEFITS PAGE B13-2 | SPECIFICATION/HTO PAGE B13-4 | NOMENCLATURE PAGE B13-5 | SELECTION/DIMENSIONS PAGE B13-14 |
|---------------------------------|---------------------------------|----------------------------|-------------------------------------|



Sleeve Bearings - SOLIDLUBE - Metric

Bearing Size

Select a bearing from tables for normal loads or loads in limited shaft movement applications having a radial load equal to or greater than the actual load. This simple method is all that is required for the majority of general machine applications using commercial steel shafting and operating in a dry atmosphere. (For more favorable conditions, ratings may be increased somewhat; consult factory). Shaft collars may be used for slight amounts of thrust. Generally the rule of 10% of the radial load applies. Dirty environments will reduce bearing life and should be avoided. Losses due to friction can be as high as 30% depending on speed, load, temperature and shaft material.

Shafting

Commercial steel shafting is good in applications where temperatures do not exceed 370°C. However, for extended bearing life, at any temperature, the shaft should be hardened to 35 Rockwell "C" or better. Shaft finish should be .25 to .50 micro-meters. A finish rougher than .50 will lessen bearing life. A finish smoother than R_a .25 micro-meters will not allow the optimum lubricant film to develop. Shaft tolerance should be +.000/-.051 millimeters for commercial steel shafting. If using other shaft materials, consult DODGE for the shaft tolerance and thermal expansion.

When commercial shafting is exposed to a corrosive media, it will oxidize. A rusty shaft will grow in the bearing, thus eliminating clearances. In this case stainless steel shafting may be used and/or provide for regularly scheduled movement of shaft. In elevated temperatures stainless grades such as 17-4, 15-5, or 13-8 are hardenable. Shafts can be spray coated with ceramic or hard chrome. This is good up to about 425°C. Check with your supplier, since these coatings can flake off when the coefficient of thermal expansion of the base material differs greatly from that of the coating.

High grade specialty shafting may be used in excess of 537°C. It may be less expensive to use sleeves of this material on more economical shafting.

Noise or High Pitched Squeal

Carbon-graphite bushings can develop a high frequency vibration in resonance with the operating system to cause noise. Dampening or change of resonant frequency of the shaft is required to eliminate noise.

Specials

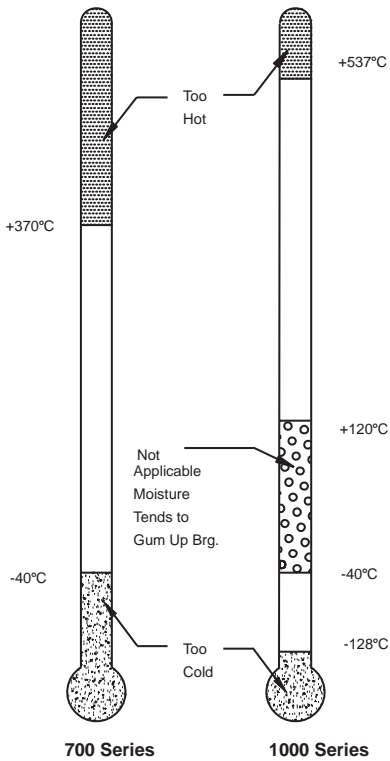
SOLIDLUBE bearings or bearings made from alternate bushing materials such as polymers, fibers, bronze, etc. for unusual operating and load conditions are available on a specially engineered basis by supplying the following:

- Shaft size, material and rpm.
- Normal load, shock load and frequency.
- Direction of load.
- Ambient temperature and atmospheric conditions (water, dirt, corrosive, etc.)
- Type of bearing: pillow block, flange bearing, etc.
- Housing material desired.
- Quantity.

End Closures

Ball Bearing End Closures are available (Page B3-136).

Note: SOLIDLUBE bearings are not designed for rotating housing applications



SOLIDLUBE Bearing Operating Temperature

700 Series

1000 Series

| | | | |
|---------------------------------|---------------------------------|----------------------------|-------------------------------------|
| FEATURES/BENEFITS PAGE B13-2 | SPECIFICATION/HTO PAGE B13-4 | NOMENCLATURE PAGE B13-5 | SELECTION/DIMENSIONS PAGE B13-14 |
|---------------------------------|---------------------------------|----------------------------|-------------------------------------|

SELECTION



Sleeve Bearings - SOLIDLUBE - Metric SOLIDLUBE BEARING 700 and 1000 SERIES

SOLIDLUBE Bearing 700 and 1000 Series Radial Load Ratings in Newtons (N) Normal Loads

| Series | Shaft Size | Radial Load Ratings in Newtons at Various Revolutions per Minute | | | | | | | | | | | |
|--------|------------|--|-------|-------|------|------|------|------|------|------|------|------|------|
| | | 10 | 25 | 50 | 75 | 100 | 150 | 200 | 250 | 300 | 350 | 400 | 450 |
| 204 | 20mm | 2490 | 2490 | 2490 | 2490 | 2490 | 1690 | 1270 | 1020 | 840 | 730 | 640 | 560 |
| 205 | 25mm | 3340 | 3340 | 3340 | 3340 | 2710 | 1800 | 1400 | 1090 | 910 | 780 | 690 | 580 |
| 206 | 30mm | 4670 | 4670 | 4670 | 4040 | 3020 | 2000 | 1510 | 1200 | 1000 | 840 | 760 | 670 |
| 207 | 35mm | 7160 | 7160 | 7160 | 5070 | 3800 | 2540 | 1910 | 1510 | 1240 | 1090 | 960 | 840 |
| 209 | 40mm, 45mm | 8800 | 8800 | 7960 | 5290 | 3980 | 2650 | 1960 | 1740 | 1310 | 1130 | 980 | 890 |
| 210 | 50mm | 10500 | 10500 | 8270 | 5520 | 4140 | 2760 | 2070 | 1650 | 1380 | 1180 | 1040 | 910 |
| 212 | 60mm | 16700 | 16700 | 10500 | 7030 | 5250 | 3540 | 2620 | 2110 | 1730 | 1510 | 1310 | 1180 |
| 215 | 70mm, 75mm | 26500 | 26500 | 13900 | 9200 | 6940 | 4630 | 3470 | 2780 | 2290 | 1980 | 1740 | 1540 |

| Series | Shaft Size | Radial Load Ratings in Newtons at Various Revolutions per Minute | | | | | | | | | | | | | |
|--------|------------|--|------|------|-----|-----|-----|------|------|------|------|------|------|------|--|
| | | 500 | 550 | 600 | 700 | 800 | 900 | 1000 | 1100 | 1300 | 1600 | 1900 | 2200 | 2500 | |
| 204 | 20mm | 490 | 470 | 430 | 360 | 320 | 200 | 250 | 230 | 200 | 160 | 130 | 120 | 100 | |
| 205 | 25mm | 530 | 490 | 470 | 400 | 360 | 310 | 270 | 240 | 210 | 170 | 140 | .. | .. | |
| 206 | 30mm | 600 | 560 | 510 | 430 | 380 | 330 | 300 | 280 | 190 | 190 | .. | .. | .. | |
| 207 | 35mm | 760 | 690 | 640 | 530 | 470 | 420 | 380 | 350 | 300 | .. | .. | .. | .. | |
| 209 | 40mm, 45mm | 800 | 730 | 670 | 580 | 490 | 440 | 400 | 360 | .. | .. | .. | .. | .. | |
| 210 | 50mm | 820 | 760 | 690 | 600 | 510 | 470 | .. | .. | .. | .. | .. | .. | .. | |
| 212 | 60mm | 1040 | 960 | 870 | 760 | .. | .. | .. | .. | .. | .. | .. | .. | .. | |
| 215 | 70mm, 75mm | 1530 | 1400 | 1290 | .. | .. | .. | .. | .. | .. | .. | .. | .. | .. | |

NOTE: The above ratings apply to all base loaded pillow blocks, all cylindrical units and flange type bearings (up to 370°C). For flange bearings operating at temperatures above 370°C, cap and side loading of pillow blocks consult Applications Engineering. For operation speeds below heavy line, use LT1000 and/or hardened shaft.

SOLIDLUBE Bearings 700 Series and 1000 Series Radial Load Ratings in Newtons (N) (Limited Shaft Movement Applications) ▲

| Series | Shaft Size | Max. Radial Load | | Max. Thrust Load |
|--------|------------|------------------|---------------------|------------------|
| | | Base Loaded | Cap or Side Loading | |
| 204 | 20mm | 4890 | 3450 | 250 |
| 205 | 25mm | 6670 | 3540 | 330 |
| 206 | 30mm | 9340 | 3650 | 470 |
| 207 | 35mm | 14200 | 7600 | 720 |
| 209 | 40mm, 45mm | 17800 | 8470 | 880 |
| 210 | 50mm | 20900 | 8540 | 1050 |
| 212 | 60mm | 33400 | 10500 | 1670 |
| 215 | 70mm, 75mm | 53400 | 18500 | 2660 |

▲ Use only when shaft movement is Limited to approx. $\pm 90^\circ$
Movement is infrequent as opposed to continuous and maximum bearing temperature is 370°C.

| | | | |
|---------------------------------|---------------------------------|----------------------------|-------------------------------------|
| FEATURES/BENEFITS PAGE B13-2 | SPECIFICATION/HTO PAGE B13-4 | NOMENCLATURE PAGE B13-5 | SELECTION/DIMENSIONS PAGE B13-14 |
|---------------------------------|---------------------------------|----------------------------|-------------------------------------|



Sleeve Bearings - Babbitted and Bronze-Bushed

General Information

SCOPE-for Stock Babbitted and Bronze Bushed Bearings, Pillow Blocks and Take-Ups of the Rigid, Grease Lubricated Type.

Important-Referring to Table and Table on the opposite page: Table ratings apply to the following DODGE Babbitted Sleeve Bearings:

- Solid Journals
- Split Babbitted Journals
- Rigid Babbitted Pillow Blocks
- Angle Babbitted Pillow Blocks
- Plate Type Flange Bearings
- Type H Take-Ups
- Type A and B Take-Ups

Table 2 ratings apply to DODGE Bronze Bushed Pillow Blocks:

- Split Bronze Bushed Journals
- Rigid Bronze Bushed Pillow Blocks
- Angle Bronze Bushed Pillow Blocks

Note - Ratings do not apply to BRONZOIL, Polymer SLEEVOIL or SOLIDLUBE pillow blocks.

Reference - Flush type reducer bushings to be used with Part Number **405015** 1/8 NPT grease fitting:

| Part No. | Description |
|---------------|-------------|
| 430081 | 1/2 x 1/8 |
| 430086 | 3/8 x 1/8 |
| 430085 | 3/8 x 1/4 |
| 430087 | 1/4 x 1/8 |
| 430088 | 1/2 x 1/4 |

Selection - Select a bearing from rating tables having a radial load equal to or greater than the Actual Radial Load, provided that operating conditions numbered 1

thru 7, at right, are met. If these conditions cannot be met, select a bearing for an Equivalent Radial Load to be obtained by multiplying the Actual Radial Load by a service factor depending on the specific application. Use a factor of up to 2.0 for areas in the rating table to the left of the zigzag line. Use a factor of up to 3.0 for areas to the right of the zigzag line.

Load ratings are based on industry standard ratings established by the Mechanical Power Transmission Association. (Standard No. 401)

Operating Conditions

1. Maintain adequate grease lubrication.
2. Maintain proper bearing alignment for uniform distribution of load under all operating conditions.
3. Normal running loads must not exceed ratings shown in the load tables. Starting and occasional peak loads should not exceed ratings by more than 100%.
4. Direction of load should not be closer than 30° to grease groove or closer than 30° to the joint between cap and base. If direction of load falls within this area which is not recommended, decrease maximum load by 50%.
5. The shaft journal surface finish must be equal to that of commercial steel shafting (about 32 micro inches) and the diameter within the tolerances of commercial steel shafting (+.000 / -.002)
6. Ambient temperature should not exceed 130°F for babbitted and 300°F for bronze-bushed bearings. If the shaft transmits heat from a source such as an oven, the shaft temperature at the bearing should not exceed these ambient temperatures.
7. Bearings should be protected against adverse operating conditions.

IMPERIAL - ISAF

UNIFIED SAF

International Bearings

Sleeve Bearing

SLEEVOIL

| | | | |
|---------------------------------|---------------------------------|----------------------------|-------------------------------------|
| FEATURES/BENEFITS PAGE B13-2 | SPECIFICATION/HTO PAGE B13-4 | NOMENCLATURE PAGE B13-5 | SELECTION/DIMENSIONS PAGE B13-14 |
|---------------------------------|---------------------------------|----------------------------|-------------------------------------|



Sleeve Bearings - Babbitted and Bronze-Bushed

Radial Load Ratings (Refer To Instructions On Opposite Page)

Table 1: MPTA Radial Load Ratings for Babbitted Sleeve Bearings

| Shaft Sizes | Radial Load Rating in Lbs. at Various Revolutions Per Minute | | | | | | | | | | | | | | | |
|----------------|--|-------|-------|------|------|------|------|-----|-----|-----|-----|-----|-----|-----|-----|------|
| | 10 | 50 | 100 | 150 | 200 | 250 | 300 | 350 | 400 | 450 | 500 | 600 | 700 | 800 | 900 | 1000 |
| 1/2 | 100 | 100 | 100 | 95 | 95 | 95 | 95 | 95 | 90 | 90 | 85 | 85 | 85 | 80 | 80 | |
| 5/8 | 150 | 150 | 145 | 145 | 140 | 140 | 135 | 135 | 135 | 130 | 130 | 125 | 120 | 115 | 110 | |
| 3/4 | 180 | 175 | 175 | 170 | 170 | 165 | 160 | 160 | 155 | 155 | 150 | 145 | 140 | 130 | 125 | |
| 7/8 | 260 | 255 | 250 | 245 | 240 | 235 | 230 | 225 | 220 | 215 | 210 | 200 | 190 | 180 | 150 | |
| 15/16 | 280 | 275 | 265 | 260 | 255 | 250 | 245 | 240 | 235 | 225 | 220 | 210 | 200 | 185 | 105 | |
| 1 | 295 | 290 | 285 | 280 | 270 | 265 | 260 | 250 | 245 | 240 | 230 | 220 | 205 | ... | ... | |
| 1-1/8 | 415 | 410 | 400 | 390 | 380 | 370 | 355 | 345 | 335 | 325 | 315 | 295 | 245 | ... | ... | |
| 1-3/16, 1-1/4 | 440 | 430 | 420 | 410 | 395 | 385 | 375 | 360 | 350 | 340 | 325 | 305 | 190 | ... | ... | |
| 1-5/16, 1-3/8 | 585 | 570 | 555 | 535 | 520 | 505 | 485 | 470 | 455 | 435 | 420 | 345 | ... | ... | ... | |
| 1-7/16, 1-1/2 | 640 | 625 | 605 | 585 | 565 | 545 | 525 | 500 | 480 | 460 | 440 | 205 | ... | ... | ... | |
| 1-11/16, 1-3/4 | 875 | 850 | 820 | 785 | 755 | 720 | 690 | 655 | 625 | 590 | 340 | ... | ... | ... | ... | |
| 1-15/16, 2 | 1150 | 1110 | 1060 | 1010 | 965 | 915 | 865 | 815 | 730 | 335 | ... | ... | ... | ... | ... | |
| 2-3/16, 2-1/4 | 1460 | 1400 | 1330 | 1260 | 1190 | 1120 | 1050 | 975 | 410 | ... | ... | ... | ... | ... | ... | |
| 2-7/16, 2-1/2 | 1800 | 1730 | 1630 | 1530 | 1430 | 1340 | 1240 | 645 | ... | ... | ... | ... | ... | ... | ... | |
| 2-11/16, 2-3/4 | 2190 | 2080 | 1950 | 1820 | 1690 | 1560 | 1150 | 110 | ... | ... | ... | ... | ... | ... | ... | |
| 2-15/16, 3 | 2600 | 2470 | 2300 | 2130 | 1960 | 1790 | 675 | ... | ... | ... | ... | ... | ... | ... | ... | |
| 3-7/16, 3-1/2 | 3550 | 3330 | 3060 | 2790 | 2520 | 1200 | ... | ... | ... | ... | ... | ... | ... | ... | ... | |
| 3-15/16, 4 | 4640 | 4310 | 3910 | 3500 | 2760 | ... | ... | ... | ... | ... | ... | ... | ... | ... | ... | |
| 4-7/16, 4-1/2 | 5870 | 5410 | 4830 | 4250 | 1410 | ... | ... | ... | ... | ... | ... | ... | ... | ... | ... | |
| 4-15/16, 5 | 7240 | 6600 | 5810 | 5010 | ... | ... | ... | ... | ... | ... | ... | ... | ... | ... | ... | |
| 5-7/16, 5-12 | 8750 | 7900 | 6840 | 4360 | ... | ... | ... | ... | ... | ... | ... | ... | ... | ... | ... | |
| 5-15/16, 6 | 10410 | 9300 | 7910 | 2390 | ... | ... | ... | ... | ... | ... | ... | ... | ... | ... | ... | |
| 6-7/16, 6-1/2 | 12200 | 10790 | 9020 | ... | ... | ... | ... | ... | ... | ... | ... | ... | ... | ... | ... | |
| 6-15/16, 7 | 14120 | 12360 | 10150 | ... | ... | ... | ... | ... | ... | ... | ... | ... | ... | ... | ... | |
| 7-7/16, 7-1/2 | 17270 | 14950 | 12050 | ... | ... | ... | ... | ... | ... | ... | ... | ... | ... | ... | ... | |
| 7-15/16, 8 | 18390 | 15750 | 10710 | ... | ... | ... | ... | ... | ... | ... | ... | ... | ... | ... | ... | |
| 9 | 20750 | 17360 | 4140 | ... | ... | ... | ... | ... | ... | ... | ... | ... | ... | ... | ... | |
| 10 | 22950 | 18760 | ... | ... | ... | ... | ... | ... | ... | ... | ... | ... | ... | ... | ... | |
| 12 | 30700 | 23190 | ... | ... | ... | ... | ... | ... | ... | ... | ... | ... | ... | ... | ... | |

For speeds lower than 10 rpm consult DODGE.

Table 2: MPTA Radial Load Ratings for Bronze Bushed Sleeve Bearings

| Shaft Sizes | Radial Load Rating in Lbs. at Various Revolutions Per Minute | | | | | | | | | | | | | | | |
|----------------|--|-------|-------|-------|------|------|------|------|------|------|-----|-----|-----|-----|-----|------|
| | 10 | 50 | 100 | 150 | 200 | 250 | 300 | 350 | 400 | 450 | 500 | 600 | 700 | 800 | 900 | 1000 |
| 1/2 | 170 | 170 | 165 | 165 | 165 | 165 | 165 | 160 | 160 | 160 | 160 | 155 | 155 | 150 | 150 | |
| 5/8 | 250 | 250 | 245 | 245 | 245 | 240 | 240 | 235 | 235 | 235 | 230 | 225 | 220 | 220 | 215 | |
| 3/4 | 300 | 300 | 295 | 295 | 290 | 285 | 285 | 280 | 280 | 275 | 270 | 265 | 260 | 255 | 250 | |
| 7/8 | 435 | 430 | 425 | 420 | 415 | 410 | 405 | 400 | 395 | 390 | 385 | 375 | 365 | 355 | 325 | |
| 15/16 | 465 | 460 | 455 | 450 | 445 | 435 | 430 | 425 | 420 | 415 | 410 | 395 | 385 | 375 | 295 | |
| 1 | 495 | 490 | 485 | 480 | 470 | 465 | 460 | 450 | 445 | 440 | 430 | 420 | 405 | 360 | 255 | |
| 1-1/8 | 700 | 690 | 680 | 670 | 660 | 650 | 640 | 630 | 620 | 605 | 595 | 575 | 525 | 360 | 195 | |
| 1-3/16, 1-1/4 | 735 | 730 | 715 | 705 | 695 | 680 | 670 | 660 | 645 | 635 | 625 | 600 | 485 | 300 | 115 | |
| 1-5/16, 1-3/8 | 980 | 965 | 950 | 930 | 915 | 895 | 880 | 865 | 845 | 830 | 815 | 735 | 465 | 195 | ... | |
| 1-7/16, 1-1/2 | 1070 | 1050 | 1030 | 1010 | 995 | 975 | 955 | 935 | 915 | 895 | 875 | 635 | 315 | ... | ... | |
| 1-11/16, 1-3/4 | 1470 | 1440 | 1410 | 1370 | 1340 | 1310 | 1280 | 1240 | 1210 | 1180 | 930 | 410 | ... | ... | ... | |
| 1-15/16, 2 | 1920 | 1880 | 1830 | 1790 | 1740 | 1690 | 1640 | 1590 | 1500 | 1110 | 715 | ... | ... | ... | ... | |
| 2-3/16, 2-1/4 | 2440 | 2390 | 2320 | 2240 | 2170 | 2100 | 2030 | 1960 | 1390 | 830 | 265 | ... | ... | ... | ... | |
| 2-7/16, 2-1/2 | 3020 | 2940 | 2850 | 2750 | 2650 | 2560 | 2460 | 1860 | 1090 | ... | ... | ... | ... | ... | ... | |
| 2-11/16, 2-3/4 | 3660 | 3560 | 3430 | 3300 | 3170 | 3040 | 2620 | 1580 | 545 | ... | ... | ... | ... | ... | ... | |
| 2-15/16, 3 | 4370 | 4230 | 4060 | 3890 | 3720 | 3550 | 2440 | ... | ... | ... | ... | ... | ... | ... | ... | |
| 3-7/16, 3-1/2 | 5960 | 5740 | 5470 | 5200 | 4930 | 3610 | 1440 | ... | ... | ... | ... | ... | ... | ... | ... | |
| 3-15/16, 4 | 7790 | 7460 | 7060 | 6650 | 5910 | ... | ... | ... | ... | ... | ... | ... | ... | ... | ... | |
| 4-7/16, 4-1/2 | 9860 | 9400 | 8820 | 8240 | 5400 | ... | ... | ... | ... | ... | ... | ... | ... | ... | ... | |
| 4-15/16, 5 | 12180 | 11540 | 10740 | 9950 | 4090 | ... | ... | ... | ... | ... | ... | ... | ... | ... | ... | |
| 5-7/16, 5-1/2 | 14740 | 13880 | 12820 | 10340 | 1820 | ... | ... | ... | ... | ... | ... | ... | ... | ... | ... | |
| 5-15/16, 6 | 17530 | 16420 | 15040 | 9520 | ... | ... | ... | ... | ... | ... | ... | ... | ... | ... | ... | |
| 6-7/16, 6-1/2 | 20560 | 19150 | 17390 | 7900 | ... | ... | ... | ... | ... | ... | ... | ... | ... | ... | ... | |
| 6-15/16, 7 | 23840 | 22070 | 19870 | 5350 | ... | ... | ... | ... | ... | ... | ... | ... | ... | ... | ... | |
| 7-7/16, 7-1/2 | 29170 | 26850 | 23950 | 1880 | ... | ... | ... | ... | ... | ... | ... | ... | ... | ... | ... | |
| 7-15/16, 8 | 31090 | 28450 | 23410 | ... | ... | ... | ... | ... | ... | ... | ... | ... | ... | ... | ... | |
| 9 | 35150 | 31760 | 18540 | ... | ... | ... | ... | ... | ... | ... | ... | ... | ... | ... | ... | |
| 10 | 38950 | 34760 | 2220 | ... | ... | ... | ... | ... | ... | ... | ... | ... | ... | ... | ... | |
| 12 | 52300 | 45520 | ... | ... | ... | ... | ... | ... | ... | ... | ... | ... | ... | ... | ... | |

For speeds lower than 10 rpm consult DODGE.

| | | | |
|---------------------------------|---------------------------------|----------------------------|-------------------------------------|
| FEATURES/BENEFITS PAGE B13-2 | SPECIFICATION/HTO PAGE B13-4 | NOMENCLATURE PAGE B13-5 | SELECTION/DIMENSIONS PAGE B13-14 |
|---------------------------------|---------------------------------|----------------------------|-------------------------------------|

SELECTION



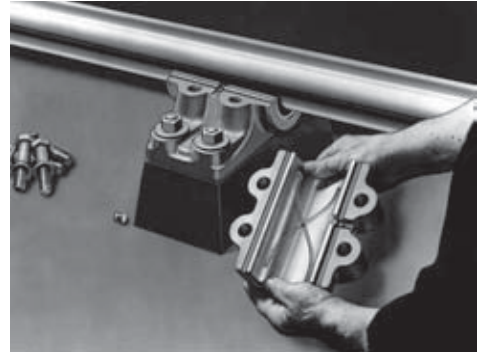
Sleeve Bearings - Bronze Bushings



U.S. PATENT NO. 3,071,419



Lower half of new bushing is installed by relieving shaft pressure, prying out old bushing and rolling in new one.



New bushing upper half is easily dropped into bearing cap. Grease grooves in the top of bore offer adequate lubrication.

- For Split Bronze Bushed Journal Bearings.
- For Rigid Bronze Bushed Pillow Blocks.
- For Angle Bronze Bushed Pillow Blocks.

These precision bushings are machined from quality cast cylinders of high grade leaded bronze. They are furnished in matched halves and sold in complete sets only. Grease grooves are provided in the top half for proper lubrication. Bushings are designed to be installed in the bearings listed above without removing the shaft or bearing base. A brass locking spool positions the bushing preventing lateral movement or rotation. This simple method minimizes down time and labor costs. They are particularly suited for heavy loads, elevated temperatures and corrosive conditions.

Bushings made of special alloys can be furnished where especially difficult heat problems may arise. They will be priced on application.

Bronze Bushing Sets ♣

| Shaft Size | Bushings Sets† | | Locking Spools* Part No. |
|------------|----------------|------|-----------------------------|
| | Part No. | Wt. | |
| 1-15/16 | 005055 | 1.70 | 005050 |
| 2-3/16 | 005056 | 2.10 | |
| 2-7/16 | 005057 | 2.50 | |
| 2-11/16 | 005058 | 3.10 | |
| 2-15/16 | 005059 | 3.60 | |
| 3-7/16 | 005060 | 4.90 | |
| 3-15/16 | 005061 | 9.70 | 005051 |
| 4-7/16 | 005062 | 14 | |
| 4-15/16 | 005063 | 15 | |
| 5-7/16 | 005064 | 18 | 005052 |
| 5-15/16 | 005065 | 21 | |
| 6-1/2 | 005066 | 28 | 005053 |
| 7 | 005067 | 33 | |
| 7-1/2 | 005117 | 37 | |
| 8 | 005068 | 42 | |

♣ For other bushing material consult DODGE

† Price is for one bushing set which includes upper and lower half

* Order separately if desired

| | | | |
|---------------------------------|---------------------------------|----------------------------|-------------------------------------|
| FEATURES/BENEFITS PAGE B13-2 | SPECIFICATION/HTO PAGE B13-4 | NOMENCLATURE PAGE B13-5 | SELECTION/DIMENSIONS PAGE B13-14 |
|---------------------------------|---------------------------------|----------------------------|-------------------------------------|



Sleeve Bearings - BRONZOIL

RADIAL LOAD RATINGS FOR BRONZOIL SLEEVE BEARINGS

| Shaft Sizes | Radial Load Rating in Lbs. at Various Revolutions Per Minute | | | | | |
|-------------|--|-----|-----|-----|------|------|
| | 50 | 100 | 200 | 500 | 1000 | 1500 |
| 1/2 | 230 | 225 | 220 | 175 | 120 | 110 |
| 5/8 | 250 | 240 | 230 | 180 | 125 | 105 |
| 3/4 | 260 | 250 | 240 | 185 | 130 | 100 |
| 7/8 | 280 | 270 | 260 | 190 | 145 | 95 |
| 15/16 | 380 | 360 | 290 | 200 | 150 | 90 |
| 1 | 420 | 400 | 300 | 210 | 160 | 85 |
| 1-3/16 | 500 | 475 | 395 | 250 | 135 | 115 |
| 1-1/4 | 525 | 500 | 415 | 260 | 140 | 120 |

| Shaft Sizes | Radial Load Rating in Lbs. at Various Revolutions Per Minute | | | | |
|-------------|--|------|------|------|------|
| | 2000 | 2500 | 3000 | 3500 | 4000 |
| 1/2 | 90 | 80 | 60 | 50 | 45 |
| 5/8 | 80 | 65 | 55 | 45 | 35 |
| 3/4 | 70 | 55 | 50 | 35 | ... |
| 7/8 | 60 | 50 | 45 | ... | ... |
| 15/16 | 55 | 45 | 40 | ... | ... |
| 1 | 50 | 40 | ... | ... | ... |
| 1-3/16 | 60 | ... | ... | ... | ... |
| 1-1/4 | 63 | ... | ... | ... | ... |

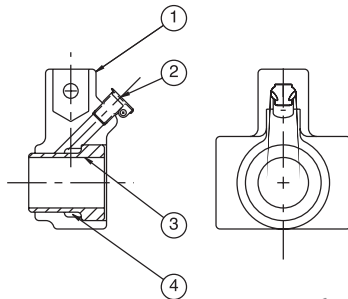
BRONZOIL Take-Up Bearing Assembly

| Size | (TUBO--) Assy.No. | 1 | 2 | 3 | 4 |
|-------|----------------------|--------|--------|--------|--------|
| 1/2 | 034030 | 034001 | 405046 | 034013 | 444010 |
| 5/8 | 034031 | 034001 | 405046 | 034014 | 444010 |
| 3/4 | 034032 | 034001 | 405046 | 034015 | 444010 |
| 7/8 | 034033 | 034002 | 405046 | 034016 | 444010 |
| 15/16 | 034034 | 034002 | 405046 | 034017 | 444010 |
| 1 | 034035 | 034002 | 405046 | 034018 | 444010 |

Select a bearing from the rating tables having a radial load equal to or greater than the actual load providing normal operating conditions are met. If these conditions cannot be met, select a bearing for an equivalent radial load to be obtained by multiplying the actual radial load by a 2.0 to 4.0 service factor depending on specific application.

Normal Operating Conditions:

1. Adequate oil supply.
2. Proper bearing alignment for uniform distribution of load at all operating conditions.
3. No shock loading.
4. No adversely high operating conditions.
5. No moist, corrosive, or abrasive atmosphere.
6. Shaft surface finish must be equal to that of commercial steel shafting. (About 32 micro inches)
7. Shaft diameter tolerance within $+.000/-.002$.
8. Maximum operating temperature 180°F.



1. BRONZOIL Housing
2. BRONZOIL Take-Up Oil Cup
3. BRONZOIL Bushing
4. BRONZOIL Permawick



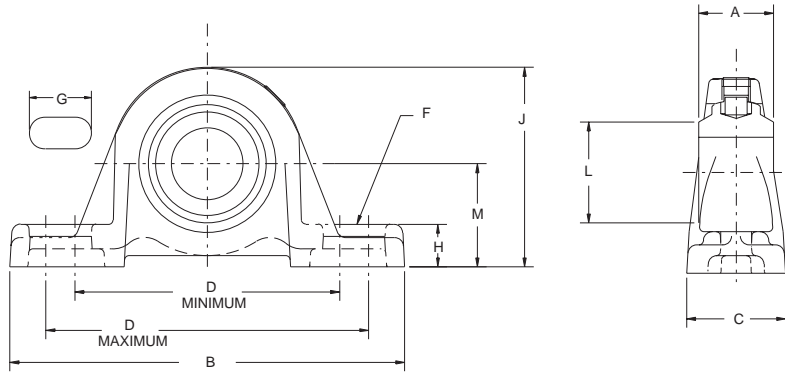
| | | | |
|---------------------------------|---------------------------------|----------------------------|-------------------------------------|
| FEATURES/BENEFITS PAGE B13-2 | SPECIFICATION/HTO PAGE B13-4 | NOMENCLATURE PAGE B13-5 | SELECTION/DIMENSIONS PAGE B13-14 |
|---------------------------------|---------------------------------|----------------------------|-------------------------------------|



SELECTION/DIMENSIONS

DODGE®

Sleeve Bearings - SOLIDLUBE 3/4" THRU 3" SOLIDLUBE LT PILLOW BLOCKS



| Series | Shaft Size | 700 SERIES | | | 1000 SERIES | | | Used on Frame |
|--------|------------|---------------|-------------|-------|---------------|--------------|-------|---------------|
| | | Part Number | Description | Wt. | Part Number | Description | Wt. | |
| 204 | 3/4 | 033667 | P2B-LT7-012 | 1.70 | 033977 | P2B-LT10-012 | 1.70 | LD-10 |
| | 20mm | 034225 | P2B-LT7-20M | 0.77 | 034234 | P2B-LT10-20M | 0.77 | LD-10 |
| 205 | 7/8 | 033668 | P2B-LT7-014 | 1.60 | 033978 | P2B-LT10-014 | 1.60 | LD-10 |
| | 15/16 | 033669 | P2B-LT7-015 | 1.50 | 033979 | P2B-LT10-015 | 1.50 | |
| | 1 | 033670 | P2B-LT7-100 | 1.40 | 033980 | P2B-LT10-100 | 1.40 | LD-10 |
| | 25mm | 034226 | P2B-LT7-25M | 0.64 | 034235 | P2B-LT10-25M | 0.64 | |
| 206 | 1-1/8 | 033672 | P2B-LT7-102 | 2.80 | 033982 | P2B-LT10-102 | 2.80 | LD-20 |
| | 1-3/16 | 033673 | P2B-LT7-103 | 2.70 | 033983 | P2B-LT10-103 | 2.70 | |
| | 30mm | 034227 | P2B-LT7-30M | 1.22 | 034236 | P2B-LT10-30M | 1.22 | |
| 207 | 1-1/4 | 033674 | P2B-LT7-104 | 4.20 | 033984 | P2B-LT10-104 | 4.20 | LD-20 |
| | 1-3/8 | 033676 | P2B-LT7-106 | 3.90 | 033986 | P2B-LT10-106 | 3.90 | |
| | 1-7/16 | 033677 | P2B-LT7-107 | 3.80 | 033987 | P2B-LT10-107 | 3.80 | |
| | 1-1/2 | 033678 | P2B-LT7-108 | 3.70 | 033988 | P2B-LT10-108 | 3.70 | |
| | 35mm | 034228 | P2B-LT7-35M | 1.77 | 034237 | P2B-LT10-35M | 1.77 | |
| 209 | 1-11/16 | 033680 | P2B-LT7-111 | 6.00 | 033990 | P2B-LT10-111 | 6.00 | LD-20 |
| | 1-3/4 | 033681 | P2B-LT7-112 | 5.80 | 033991 | P2B-LT10-112 | 5.80 | |
| | 40mm | 034229 | P2B-LT7-40M | 2.72 | 034238 | P2B-LT10-40M | 2.72 | |
| | 45mm | 034230 | P2B-LT7-45M | 2.63 | 034239 | P2B-LT10-45M | 2.63 | |
| 210 | 1-15/16 | 033682 | P2B-LT7-115 | 6.80 | 033992 | P2B-LT10-115 | 6.80 | LD-30 |
| | 2 | 033683 | P2B-LT7-200 | 6.60 | 033993 | P2B-LT10-200 | 6.60 | |
| | 50mm | 034231 | P2B-LT7-50M | 3.08 | 034240 | P2B-LT10-50M | 3.08 | |
| 211 | 2-3/16 | 033684 | P2B-LT7-203 | 8.00 | 033994 | P2B-LT10-203 | 8.00 | LD-40 |
| 212 | 2-7/16 | 033686 | P2B-LT7-207 | 10.10 | 033996 | P2B-LT10-207 | 10.10 | LD-40 |
| | 2-1/2 | 033687 | P2B-LT7-208 | 9.80 | 033997 | P2B-LT10-208 | 9.80 | |
| | 60mm | 034221 | P2B-LT7-60M | 4.58 | 034241 | P2B-LT10-60M | 4.58 | |
| 215 | 2-15/16 | 033688 | P2B-LT7-215 | 21.20 | 033998 | P2B-LT10-215 | 21.20 | LD-45 |
| | 3 | 033077 | P2B-LT7-300 | 20.90 | 033974 | P2B-LT10-300 | 20.90 | |
| | 70mm | 034232 | P2B-LT7-70M | 9.98 | 034242 | P2B-LT10-70M | 9.98 | |
| | 75mm | 034233 | P2B-LT7-75M | 9.62 | 034243 | P2B-LT10-75M | 9.62 | |

| | | | |
|---------------------------------|---------------------------------|----------------------------|-------------------------|
| FEATURES/BENEFITS PAGE B13-2 | SPECIFICATION/HTO PAGE B13-4 | NOMENCLATURE PAGE B13-5 | SELECTION PAGE B13-6 |
|---------------------------------|---------------------------------|----------------------------|-------------------------|

SELECTION/DIMENSIONS



Sleeve Bearings - SOLIDLUBE 3/4" THRU 3" SOLIDLUBE LT PILLOW BLOCKS

| Series | Shaft Size | A | B | C | D | | F Bolt Dia. | G | H | J | L | M | | |
|--------|------------|---------|--------|---------|---------|---------|----------------|--------|-------|---------|---------|--------|--------|-------|
| | | | | | Min. | Max. | | | | | | | | |
| 204 | 3/4 | 1 | 5-1/4 | 1-11/32 | 3-3/8 | 4-3/16 | 3/8 | 27/32 | 17/32 | 2-9/16 | 1-3/8 | 1-5/16 | | |
| | 20mm | 25.4 | 133.4 | 34.1 | 85.7 | 106.4 | 10 | 21.4 | 13.5 | 65.1 | 34.9 | 33.3 | | |
| 205 | 7/8 | 1-1/16 | 5-1/2 | 1-13/32 | 3-11/16 | 4-1/2 | 3/8 | 27/32 | 19/32 | 2-25/32 | 1-9/16 | 1-7/16 | | |
| | 15/16 | | | | | | | | | | | | 1 | 25mm |
| 206 | 1-1/8 | 1-3/16 | 6-1/4 | 1-3/4 | 4-1/4 | 5 | 1/2 | 15/16 | 11/16 | 3-1/4 | 1-13/16 | 1-5/8 | | |
| | 1-3/16 | | | | | | | | | | | | 30mm | 30.2 |
| 207 | 1-1/4 | 1-5/16 | 6-1/2 | 1-3/4 | 4-11/16 | 5-7/16 | 1/2 | 15/16 | 23/32 | 3-3/4 | 2-1/8 | 1-7/8 | | |
| | 1-3/8 | | | | | | | | | | | | 1-7/16 | 1-1/2 |
| 209 | 1-11/16 | 1-9/16 | 7-7/16 | 2 | 5-1/2 | 6-3/16 | 1/2 | 29/32 | 3/4 | 4-9/32 | 2-9/16 | 2-1/8 | | |
| | 1-3/4 | | | | | | | | | | | | 40mm | 39.7 |
| 210 | 1-15/16 | 1-5/8 | 8-1/8 | 2-1/4 | 6 | 6-11/16 | 5/8 | 1-1/32 | 3/4 | 4-17/32 | 2-13/16 | 2-1/4 | | |
| | 2 | | | | | | | | | | | | 50mm | 41.3 |
| 211 | 2-3/16 | 1-3/4 | 8-7/8 | 2-5/16 | 6-3/8 | 7-7/16 | 5/8 | 1-7/32 | 7/8 | 4-31/32 | 3-1/8 | 2-1/2 | | |
| 212 | 2-7/16 | 1-13/16 | 9-1/2 | 2-3/8 | 6-7/8 | 7-15/16 | 5/8 | 1-7/32 | 7/8 | 5-13/32 | 3-1/2 | 2-3/4 | | |
| | 2-1/2 | | | | | | | | | | | | 60mm | 46.0 |
| 215 | 2-15/16 | 2-23/32 | 11-3/4 | 2-7/8 | 8-1/2 | 9-1/2 | 7/8 | 1-7/16 | 1 | 6-3/4 | 3-15/16 | 3-1/2 | | |
| | 3 | | | | | | | | | | | | 70mm | 69.1 |

All Dimensions Are In Millimeters Unless Otherwise Specified

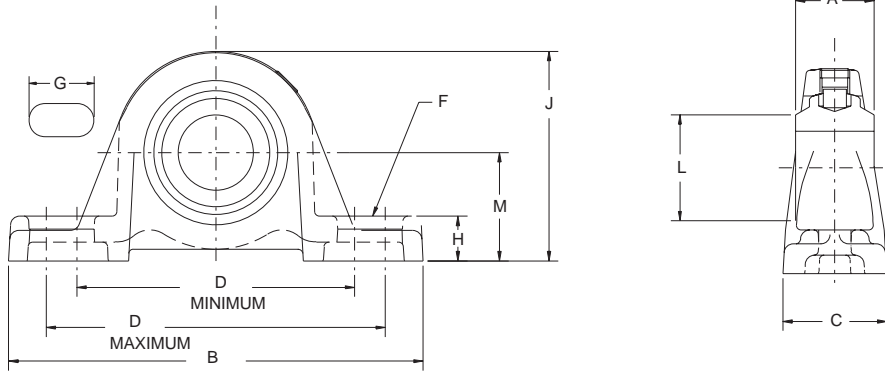
The LT and LTB Pillow Blocks Are Identical Except the LTB Pillow Blocks Have Lower Backing Dimensions

| | | | |
|---------------------------------|---------------------------------|----------------------------|-------------------------|
| FEATURES/BENEFITS PAGE B13-2 | SPECIFICATION/HTO PAGE B13-4 | NOMENCLATURE PAGE B13-5 | SELECTION PAGE B13-6 |
|---------------------------------|---------------------------------|----------------------------|-------------------------|

SELECTION/DIMENSIONS



Sleeve Bearings - SOLIDLUBE 3/4" THRU 3" SOLIDLUBE LTB PILLOW BLOCKS



| Series | Shaft Size | 700 SERIES | | | 1000 SERIES | | | Used on Frame |
|--------|------------|---------------|--------------|------|---------------|---------------|------|---------------|
| | | Part No. | Description | Wt. | Part No. | Description | Wt. | |
| 204 | 3/4 | 032940 | P2B-LTB7-012 | 1.6 | 032970 | P2B-LTB10-012 | 1.6 | LD-10 |
| | 20mm | 034244 | P2B-LTB7-20M | 0.73 | 034252 | P2B-LTB10-20M | 0.73 | LD-10 |
| 205 | 7/8 | 032941 | P2B-LTB7-014 | 1.5 | 032971 | P2B-LTB10-014 | 1.5 | LD-10 |
| | 15/16 | 032942 | P2B-LTB7-015 | 1.4 | 032972 | P2B-LTB10-015 | 1.4 | |
| | 1 | 032943 | P2B-LTB7-100 | 1.3 | 032973 | P2B-LTB10-100 | 1.3 | LD-10 |
| | 25mm | 034245 | P2B-LTB7-25M | 0.59 | 034253 | P2B-LTB10-25M | 0.59 | |
| 206 | 1-1/8 | 032945 | P2B-LTB7-102 | 2.7 | 032975 | P2B-LTB10-102 | 2.7 | LD-20 |
| | 1-3/16 | 032946 | P2B-LTB7-103 | 2.6 | 032976 | P2B-LTB10-103 | 2.6 | |
| | 30mm | 034246 | P2B-LTB7-30M | 1.18 | 034254 | P2B-LTB10-30M | 1.18 | |
| 207 | 1-1/4 | 032947 | P2B-LTB7-104 | 4 | 032977 | P2B-LTB10-104 | 4 | LD-20 |
| | 1-3/8 | 032949 | P2B-LTB7-106 | 3.8 | 032979 | P2B-LTB10-106 | 3.8 | |
| | 1-7/16 | 032950 | P2B-LTB7-107 | 3.7 | 032980 | P2B-LTB10-107 | 3.7 | |
| | 1-1/2 | 032951 | P2B-LTB7-108 | 3.6 | 032981 | P2B-LTB10-108 | 3.6 | |
| | 35mm | 034247 | P2B-LTB7-35M | 1.72 | 034255 | P2B-LTB10-35M | 1.72 | |
| 209 | 1-11/16 | 032953 | P2B-LTB7-111 | 5 | 032983 | P2B-LTB10-111 | 5 | LD-20 |
| | 1-3/4 | 032954 | P2B-LTB7-112 | 4.8 | 032984 | P2B-LTB10-112 | 4.8 | |
| | 40mm | 034248 | P2B-LTB7-40M | 2.27 | 034256 | P2B-LTB10-40M | 2.27 | |
| | 45mm | 034249 | P2B-LTB7-45M | 2.18 | 034257 | P2B-LTB10-45M | 2.18 | |
| 210 | 1-15/16 | 032955 | P2B-LTB7-115 | 6 | 032985 | P2B-LTB10-115 | 6 | LD-30 |
| | 2 | 032956 | P2B-LTB7-200 | 5.8 | 032986 | P2B-LTB10-200 | 5.8 | |
| | 50mm | 034250 | P2B-LTB7-50M | 2.72 | 034258 | P2B-LTB10-50M | 2.72 | |
| 211 | 2-3/16 | 032957 | P2B-LTB7-203 | 6.5 | 032987 | P2B-LTB10-203 | 6.5 | LD-40 |
| | 2-7/16 | 032959 | P2B-LTB7-207 | 8.1 | 032989 | P2B-LTB10-207 | 8.1 | |
| 212 | 2-1/2 | 032960 | P2B-LTB7-208 | 7.8 | 032990 | P2B-LTB10-208 | 7.8 | LD-40 |
| | 60mm | 034251 | P2B-LTB7-60M | 3.67 | 034259 | P2B-LTB10-60M | 3.67 | |
| 215 | 2-15/16 | 034596 | P2B-LTB7-215 | 18.7 | 034598 | P2B-LTB10-215 | 18.7 | LD-45 |
| | 3 | 034597 | P2B-LTB7-300 | 18.4 | 034599 | P2B-LTB10-300 | 18.4 | |
| | 70mm | | | | | | | |
| | 75mm | | | | | | | |

| | | | |
|---------------------------------|---------------------------------|----------------------------|-------------------------|
| FEATURES/BENEFITS PAGE B13-2 | SPECIFICATION/HTO PAGE B13-4 | NOMENCLATURE PAGE B13-5 | SELECTION PAGE B13-6 |
|---------------------------------|---------------------------------|----------------------------|-------------------------|

SELECTION/DIMENSIONS



Sleeve Bearings - SOLIDLUBE 3/4" THRU 3" SOLIDLUBE LTB PILLOW BLOCKS

| Series Size | Shaft | A | B | C | D | | F Bolt Dia. | G | H | J | L | M |
|-------------|---------|---------|--------|---------|---------|---------|----------------|--------|--------|---------|---------|---------|
| | | | | | Min. | Max. | | | | | | |
| 204 | 3/4 | 1 | 5-1/4 | 1-11/32 | 3-3/8 | 4-3/16 | 3/8 | 27/32 | 15/32 | 2-1/2 | 1-3/8 | 1-1/4 |
| | 20mm | 25.4 | 133.4 | 34.1 | 85.7 | 106.4 | 10 | 21.4 | 11.9 | 63.5 | 34.9 | 31.8 |
| 205 | 7/8 | 1-1/16 | 5-1/2 | 1-13/32 | 3-11/16 | 4-1/2 | 3/8 | 27/32 | 15/32 | 2-21/32 | 1-9/16 | 1-5/16 |
| | 15/16 | | | | | | | | | | | |
| | 1 | | | | | | | | | | | |
| 25mm | 27.0 | 139.7 | 35.7 | 93.7 | 114.3 | 10 | 21.4 | 11.9 | 67.5 | 39.7 | 33.3 | |
| 206 | 1-1/8 | 1-3/16 | 6-1/4 | 1-3/4 | 4-1/4 | 5 | 1/2 | 15/16 | 5/8 | 3-3/16 | 1-13/16 | 1-9/16 |
| | 1-3/16 | | | | | | | | | | | |
| | 30mm | | | | | | | | | | | |
| 30.2 | 158.8 | 44.5 | 108.0 | 127.0 | 12 | 23.8 | 15.9 | 81.0 | 46.0 | 39.7 | | |
| 207 | 1-1/4 | 1-5/16 | 6-1/2 | 1-3/4 | 4-11/16 | 5-7/16 | 1/2 | 15/16 | 21/32 | 3-11/16 | 2-1/8 | 1-13/16 |
| | 1-3/8 | | | | | | | | | | | |
| | 1-7/16 | | | | | | | | | | | |
| | 1-1/2 | | | | | | | | | | | |
| 35mm | 33.3 | 165.1 | 44.5 | 119.1 | 138.1 | 12 | 23.8 | 16.7 | 93.7 | 54.0 | 46.0 | |
| 209 | 1-11/16 | 1-9/16 | 7-7/16 | 2 | 5-1/2 | 6-3/16 | 1/2 | 29/32 | 11/16 | 4-7/32 | 2-9/16 | 2-1/16 |
| | 1-3/4 | | | | | | | | | | | |
| | 40mm | | | | | | | | | | | |
| | 45mm | | | | | | | | | | | |
| 39.7 | 188.9 | 50.8 | 139.7 | 157.2 | 12 | 23.0 | 17.5 | 107.2 | 65.1 | 52.4 | | |
| 210 | 1-15/16 | 1-5/8 | 8-1/8 | 2-1/4 | 6 | 6-11/16 | 5/8 | 1-1/32 | 11/16 | 4-15/32 | 2-13/16 | 2-3/16 |
| | 2 | | | | | | | | | | | |
| 50mm | 41.3 | 206.4 | 57.1 | 152.4 | 170.0 | 16 | 26.2 | 17.5 | 113.5 | 71.4 | 55.6 | |
| 211 | 2-3/16 | 1-3/4 | 8-7/8 | 2-5/16 | 6-3/8 | 7-7/16 | 5/8 | 1-7/32 | 13/16 | 4-29/32 | 3-1/8 | 2-7/16 |
| 212 | 2-7/16 | 1-13/16 | 9-1/2 | 2-3/8 | 6-7/8 | 7-15/16 | 5/8 | 1-7/32 | 13/16 | 5-11/32 | 3-1/2 | 2-11/16 |
| | 2-1/2 | | | | | | | | | | | |
| | 60mm | | | | | | | | | | | |
| 46.0 | 241.3 | 60.3 | 174.6 | 201.6 | 16 | 31.0 | 20.6 | 135.7 | 88.9 | 68.3 | | |
| 215 | 2-15/16 | 2-23/32 | 11-3/4 | 2-7/8 | 8-1/2 | 9-1/2 | 7/8 | 1-7/16 | 1-1/16 | 6-9/16 | 3-15/16 | 3-5/16 |
| | 3 | | | | | | | | | | | |
| | 70mm | | | | | | | | | | | |
| 75mm | 69.1 | 298.5 | 73.0 | 215.9 | 241.3 | 22 | 36.5 | | | 100.0 | | |

All Dimensions Are In Millimeters Unless Otherwise Specified

The LT and LTB Pillow Blocks are Identical Except the LTB Pillow Blocks Have Lower backing Dimensions.

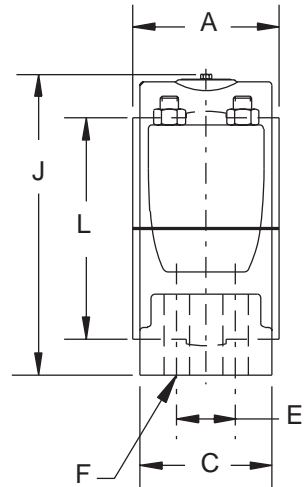
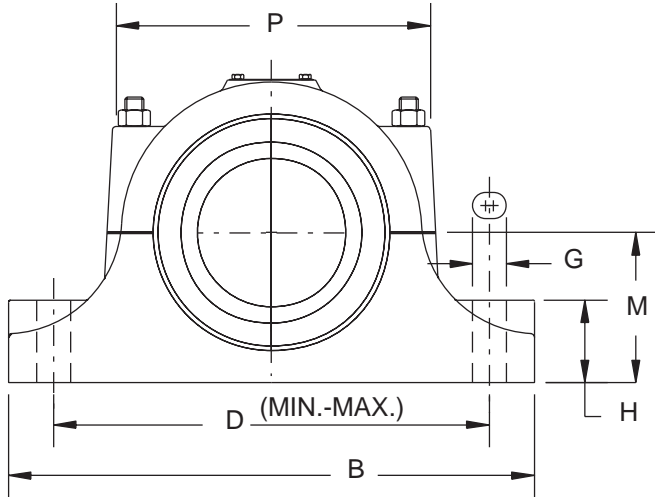
| | | | |
|---------------------------------|---------------------------------|----------------------------|-------------------------|
| FEATURES/BENEFITS PAGE B13-2 | SPECIFICATION/HTO PAGE B13-4 | NOMENCLATURE PAGE B13-5 | SELECTION PAGE B13-6 |
|---------------------------------|---------------------------------|----------------------------|-------------------------|



SELECTION/DIMENSIONS

DODGE

Sleeve Bearings - SOLIDLUBE 3-7/16" THRU 5" SOLIDLUBE MM PILLOW BLOCKS



| Shaft Size | 700 Series | | 1000 Series | | Wt. | Used On Frame | A | B | C |
|------------|---------------|-------------|---------------|--------------|-------|---------------|-------|---------|---------|
| | Part No. | Description | Part No. | Description | | | | | |
| 3-7/16 | 033247 | P2B-MM7-307 | 033347 | P2B-MM10-307 | 23.00 | HD-250 | 3-1/2 | 12 | 2-13/16 |
| 3-1/2 | 033251 | P2B-MM7-308 | 033351 | P2B-MM10-308 | 22.80 | | | | |
| 3-15/16 | 033475 | P2B-MM7-315 | 033480 | P2B-MM10-315 | 36.00 | HD-300 | 4 | 13-7/16 | 3-3/16 |
| 4 | 033485 | P2B-MM7-400 | 033490 | P2B-MM10-400 | 35.80 | | | | |
| 4-7/16 | 033500 | P2B-MM7-407 | 033505 | P2B-MM10-407 | 60.00 | | | | |
| 4-1/2 | 033510 | P2B-MM7-408 | 033515 | P2B-MM10-408 | 59.70 | HD-350 | 4-1/2 | 16 | 3-7/16 |
| 4-15/16 | 033525 | P4B-MM7-415 | 033530 | P4B-MM10-415 | 92.00 | | | | |
| 5 | 033535 | P4B-MM7-500 | 033540 | P4B-MM10-500 | 91.50 | HD-400 | 5 | 17-7/16 | 4-3/4 |

| Shaft Size | D | | 2 Bolt Base F Bolt Dia. | 4 Bolt Base | | G | H | J | L | M | P |
|------------|----------|----------|----------------------------|-------------|-------------|---------|-------|---------|---------|-------|--------|
| | Min. | Max. | | E | F Bolt Dia. | | | | | | |
| 3-7/16 | 9-1/4 | 10-1/4 | 5/8 | ... | ... | 1-1/4 | 1-3/4 | 7 | 4-7/8 | 3-1/4 | 7- 1/4 |
| 3-1/2 | | | | | | | | | | | |
| 3-15/16 | 9-7/8 | 11-1/2 | 3/4 | ... | ... | 1-11/16 | 2 | 7-15/16 | 5-5/8 | 3-3/4 | 8-3/16 |
| 4 | | | | | | | | | | | |
| 4-7/16 | 12-13/16 | 13-13/16 | 7/8 | ... | ... | 1-1/2 | 2-1/4 | 9-7/16 | 6-15/16 | 4-1/2 | 10 |
| 4-1/2 | | | | | | | | | | | |
| 4-15/16 | 13-1/8 | 14-3/4 | ... | 2 | 3/4 | 1-11/16 | 2-3/4 | 10-1/2 | 7-9/16 | 5 | 10-5/8 |
| 5 | | | | | | | | | | | |

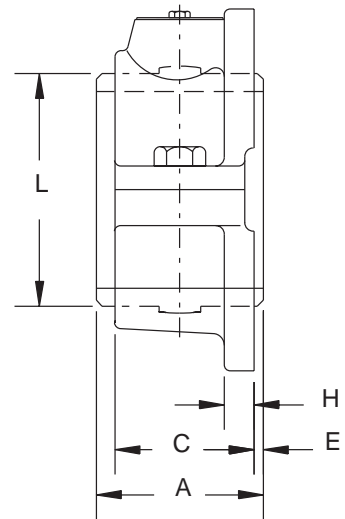
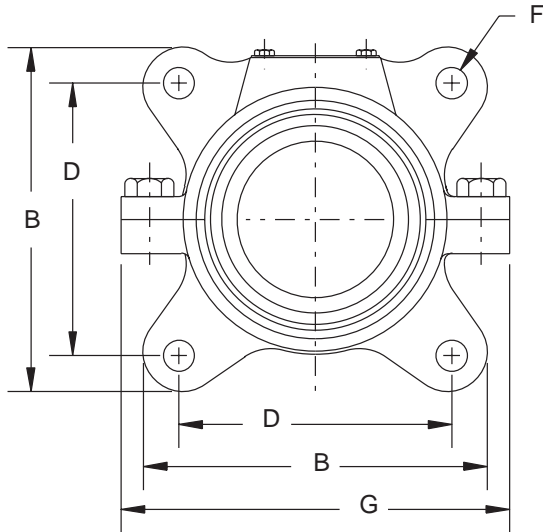
◆ No Published Metric Dimensions For This Product

| | | | |
|---------------------------------|---------------------------------|----------------------------|-------------------------|
| FEATURES/BENEFITS PAGE B13-2 | SPECIFICATION/HTO PAGE B13-4 | NOMENCLATURE PAGE B13-5 | SELECTION PAGE B13-6 |
|---------------------------------|---------------------------------|----------------------------|-------------------------|

SELECTION/DIMENSIONS



Sleeve Bearings - SOLIDLUBE 3-7/16" THRU 5" SOLIDLUBE MM 4-BOLT FLANGE BEARINGS



| Shaft Size | 700 Series | | 1000 Series | | Wt. |
|------------|---------------|-------------|---------------|--------------|-------|
| | Part No. | Description | Part No. | Description | |
| 3-7/16 | 033323 | F4B-MM7-307 | 033868 | F4B-MM10-307 | 17.00 |
| 3-1/2 | 033321 | F4B-MM7-308 | 033931 | F4B-MM10-308 | 18.00 |
| 3-15/16 | 032923 | F4B-MM7-315 | 033899 | F4B-MM10-315 | 26.00 |
| 4 | 032937 | F4B-MM7-400 | 033932 | F4B-MM10-400 | |
| 4-7/16 | 033862 | F4B-MM7-407 | 033933 | F4B-MM10-407 | 42.00 |
| 4-1/2 | 033863 | F4B-MM7-408 | 033934 | F4B-MM10-408 | |
| 4-15/16 | 033929 | F4B-MM7-415 | 033869 | F4B-MM10-415 | 62.00 |
| 5 | 033930 | F4B-MM7-500 | 033867 | F4B-MM10-500 | |

| Shaft Size | A | B | C | D | E | F | G | H | L |
|------------|-------|---------|---------|--------|------|-----|--------|-------|---------|
| 3-7/16 | 3-1/2 | 7-5/8 | 2-59/64 | 6 | 3/16 | 5/8 | 8-9/16 | 5/8 | 4-7/8 |
| 3-1/2 | 4 | 8-7/8 | 3-11/32 | 6-7/8 | 1/4 | 3/4 | 9-1/2 | 11/16 | 5-5/8 |
| 3-15/16 | 4-1/2 | 10-1/4 | 3-23/32 | 8-1/8 | 1/4 | 7/8 | 11-3/8 | 3/4 | 6-15/16 |
| 4 | 5 | 11-7/16 | 4-5/8 | 9-3/16 | 1/8 | 1 | 12-7/8 | 13/16 | 7-9/16 |

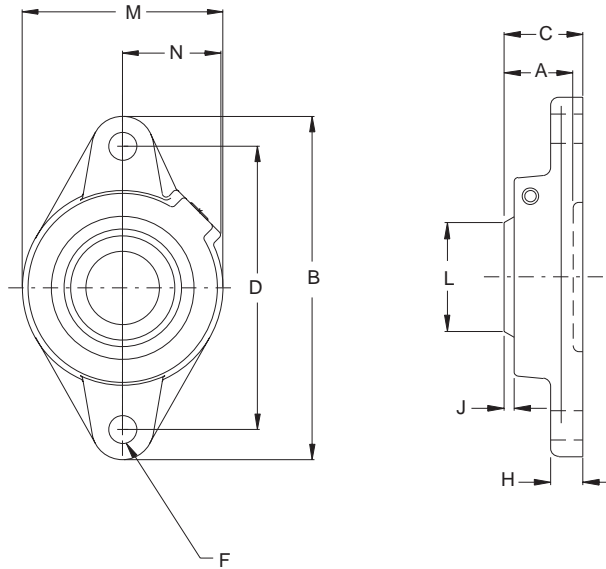
◆ No Published Metric Dimensions For This Product

| | | | |
|---------------------------------|---------------------------------|----------------------------|-------------------------|
| FEATURES/BENEFITS PAGE B13-2 | SPECIFICATION/HTO PAGE B13-4 | NOMENCLATURE PAGE B13-5 | SELECTION PAGE B13-6 |
|---------------------------------|---------------------------------|----------------------------|-------------------------|

SELECTION/DIMENSIONS



Sleeve Bearings - SOLIDLUBE 3/4" THRU 2" SOLIDLUBE LT 2-BOLT FLANGE BEARING



| Series | Shaft Size | 700 Series | | | 1000 Series | | |
|--------|------------|---------------|-------------|------|---------------|--------------|------|
| | | Part No. | Description | Wt. | Part No. | Description | Wt. |
| 204 | 3/4 | 033085 | F2B-LT7-012 | 1.2 | 033185 | F2B-LT10-012 | 1.2 |
| | 20mm | 034260 | F2B-LT7-20M | 0.54 | 034266 | F2B-LT10-20M | 0.54 |
| 205 | 7/8 | 033086 | F2B-LT7-014 | 1.7 | 033186 | F2B-LT10-014 | 1.7 |
| | 15/16 | 033087 | F2B-LT7-015 | 1.6 | 033187 | F2B-LT10-015 | 1.6 |
| | 1 | 033088 | F2B-LT7-100 | 1.5 | 033188 | F2B-LT10-100 | 1.5 |
| | 25mm | 034261 | F2B-LT7-25M | 0.68 | 034267 | F2B-LT10-25M | 0.68 |
| 206 | 1-1/8 | 033089 | F2B-LT7-102 | 2.2 | 033189 | F2B-LT10-102 | 2.2 |
| | 1-3/16 | 033090 | F2B-LT7-103 | 2.1 | 033190 | F2B-LT10-103 | 2.1 |
| | 30mm | 034262 | F2B-LT7-30M | 0.95 | 034268 | F2B-LT10-30M | 0.95 |
| 207 | 1-1/4 | 033091 | F2B-LT7-104 | 3.6 | 033191 | F2B-LT10-104 | 3.6 |
| | 1-3/8 | 033092 | F2B-LT7-106 | 3.3 | 033192 | F2B-LT10-106 | 3.3 |
| | 1-7/16 | 033093 | F2B-LT7-107 | 3.2 | 033193 | F2B-LT10-107 | 3.2 |
| | 1-1/2 | 033094 | F2B-LT7-108 | 3.1 | 033194 | F2B-LT10-108 | 3.1 |
| | 35mm | 034263 | F2B-LT7-35M | 1.5 | 034269 | F2B-LT10-35M | 1.5 |
| 209 | 1-11/16 | 033095 | F2B-LT7-111 | 4.9 | 033195 | F2B-LT10-111 | 4.9 |
| | 1-3/4 | 033096 | F2B-LT7-112 | 4.7 | 033196 | F2B-LT10-112 | 4.7 |
| | 40mm | 034218 | F2B-LT7-40M | 2.22 | 034270 | F2B-LT10-40M | 2.22 |
| | 45mm | 034264 | F2B-LT7-45M | 2.13 | 034271 | F2B-LT10-45M | 2.13 |
| 210 | 1-15/16 | 033097 | F2B-LT7-115 | 5.4 | 033197 | F2B-LT10-115 | 5.4 |
| | 2 | 033098 | F2B-LT7-200 | 5.2 | 033198 | F2B-LT10-200 | 5.2 |
| | 50mm | 034265 | F2B-LT7-50M | 2.36 | 034272 | F2B-LT10-50M | 2.36 |

FEATURES/BENEFITS
PAGE B13-2

SPECIFICATION/HTO
PAGE B13-4

NOMENCLATURE
PAGE B13-5

SELECTION
PAGE B13-6

SELECTION/DIMENSIONS



Sleeve Bearings - SOLIDLUBE 3/4" THRU 2" SOLIDLUBE LT 2-BOLT FLANGE BEARING

IMPERIAL - ISAF

UNIFIED SAF

International Bearings

Sleeve Bearing

SLEEVOIL

| Series | Shaft Size | A | B | C | D | F Bolt Dia. | H | J | L | M | N |
|--------|------------|---------|---------|---------|---------|-------------|------|------|---------|--------|---------|
| 204 | 3/4 | 29/32 | 4-13/16 | 1-1/8 | 3-17/32 | 3/8 | 1/2 | 5/32 | 1-3/8 | 2-3/8 | 1-1/2 |
| | 20mm | 23.0 | 122.2 | 28.6 | 89.7 | 3/8 | 12.7 | 4.0 | 34.9 | 60.3 | 38.1 |
| 205 | 7/8 | 63/64 | 4-7/8 | 1-1/8 | 3-57/64 | 7/16 | 1/2 | 5/32 | 1-9/16 | 2-3/4 | 1-7/16 |
| | 15/16 | | | | | | | | | | |
| | 1 | | | | | | | | | | |
| 206 | 25mm | 25.4 | 123.8 | 28.6 | 98.8 | 7/16 | 12.7 | 4.0 | 39.7 | 69.9 | 36.5 |
| | 1-1/8 | 1-7/64 | 5-9/16 | 1-7/32 | 4-19/32 | 7/16 | 1/2 | 5/32 | 1-13/16 | 3-1/8 | 1-9/16 |
| | 1-3/16 | | | | | | | | | | |
| 207 | 30mm | 28.2 | 141.3 | 31.0 | 116.7 | 7/16 | 12.7 | 4.0 | 46.0 | 79.4 | 39.7 |
| | 1-1/4 | 1-7/32 | 6-1/8 | 1-3/8 | 5-1/8 | 1/2 | 9/16 | 5/32 | 2-1/8 | 3-3/4 | 1-27/32 |
| | 1-3/8 | | | | | | | | | | |
| 209 | 1-7/16 | | | | | | | | | | |
| | 1-1/2 | | | | | | | | | | |
| | 35mm | 31.0 | 155.6 | 34.9 | 130.2 | 1/2 | 14.3 | 4.0 | 54.0 | 95.3 | 46.8 |
| 210 | 1-11/16 | 1-21/64 | 7-1/16 | 1-19/32 | 5-27/32 | 1/2 | 5/8 | 3/16 | 2-9/16 | 4-3/8 | 1-29/32 |
| | 1-3/4 | | | | | | | | | | |
| | 40mm | 33.7 | 179.4 | 40.5 | 148.4 | 1/2 | 15.9 | 4.8 | 65.1 | 111.1 | 48.4 |
| 210 | 45mm | | | | | | | | | | |
| | 1-15/16 | 1-13/32 | 7-7/16 | 1-21/32 | 6-3/16 | 1/2 | 5/8 | 3/16 | 2-13/16 | 4-9/32 | 2-1/32 |
| | 2 | | | | | | | | | | |
| | 50mm | 35.7 | 188.9 | 42.1 | 157.2 | 1/2 | 15.9 | 4.8 | 71.4 | 108.7 | 51.6 |

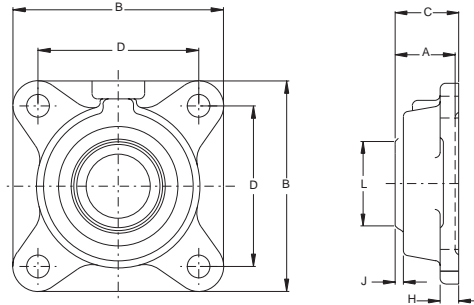
| | | | |
|---------------------------------|---------------------------------|----------------------------|-------------------------|
| FEATURES/BENEFITS PAGE B13-2 | SPECIFICATION/HTO PAGE B13-4 | NOMENCLATURE PAGE B13-5 | SELECTION PAGE B13-6 |
|---------------------------------|---------------------------------|----------------------------|-------------------------|



SELECTION/DIMENSIONS



Sleeve Bearings - SOLIDLUBE 3/4" THRU 3" SOLIDLUBE LT 4-BOLT FLANGE BEARING



| Series | Shaft Size | 700 Series | | | 1000 Series | | |
|--------|------------|---------------|-------------|------|---------------|--------------|------|
| | | Part No. | Description | Wt. | Part No. | Description | Wt. |
| 204 | 3/4 | 033260 | F4B-LT7-012 | 1.5 | 033200 | F4B-LT10-012 | 1.5 |
| | 20mm | 034273 | F4B-LT7-20M | 0.68 | 034283 | F4B-LT10-20M | 0.6 |
| 205 | 7/8 | 033261 | F4B-LT7-014 | 2.2 | 033201 | F4B-LT10-014 | 2.2 |
| | 15/16 | 033262 | F4B-LT7-015 | 2.1 | 033202 | F4B-LT10-015 | 2.1 |
| | 1 | 033263 | F4B-LT7-100 | 2 | 033203 | F4B-LT10-100 | 2 |
| | 25mm | 034274 | F4B-LT7-25M | 0.91 | 034284 | F4B-LT10-25M | 0.91 |
| 206 | 1-1/8 | 033264 | F4B-LT7-102 | 2.9 | 033204 | F4B-LT10-102 | 2.9 |
| | 1-3/16 | 033265 | F4B-LT7-103 | 2.8 | 033205 | F4B-LT10-103 | 2.8 |
| | 30mm | 034275 | F4B-LT7-30M | 1.27 | 034285 | F4B-LT10-30M | 1.27 |
| 207 | 1-1/4 | 033266 | F4B-LT7-104 | 4.3 | 033206 | F4B-LT10-104 | 4.3 |
| | 1-3/8 | 033267 | F4B-LT7-106 | 4 | 033207 | F4B-LT10-106 | 4 |
| | 1-7/16 | 033268 | F4B-LT7-107 | 3.9 | 033208 | F4B-LT10-107 | 3.9 |
| | 1-1/2 | 033269 | F4B-LT7-108 | 3.8 | 033209 | F4B-LT10-108 | 3.8 |
| | 35mm | 034276 | F4B-LT7-35M | 1.81 | 034286 | F4B-LT10-35M | 1.81 |
| 209 | 1-11/16 | 033270 | F4B-LT7-111 | 5.8 | 033210 | F4B-LT10-111 | 5.8 |
| | 1-3/4 | 033271 | F4B-LT7-112 | 5.6 | 033211 | F4B-LT10-112 | 5.6 |
| | 40mm | 034277 | F4B-LT7-40M | 2.63 | 034287 | F4B-LT10-40M | 2.63 |
| | 45mm | 034278 | F4B-LT7-45M | 2.54 | 034288 | F4B-LT10-45M | 2.54 |
| 210 | 1-15/16 | 033272 | F4B-LT7-115 | 6.8 | 033212 | F4B-LT10-115 | 6.8 |
| | 2 | 033273 | F4B-LT7-200 | 6.6 | 033213 | F4B-LT10-200 | 6.6 |
| | 50mm | 034279 | F4B-LT7-50M | 3 | 034289 | F4B-LT10-50M | 3 |
| 211 | 2-3/16 | 033274 | F4B-LT7-203 | 8.5 | 033214 | F4B-LT10-203 | 8.5 |
| 212 | 2-7/16 | 033275 | F4B-LT7-207 | 11 | 033215 | F4B-LT10-207 | 11 |
| | 2-1/2 | 033276 | F4B-LT7-208 | 10.8 | 033216 | F4B-LT10-208 | 10.8 |
| | 60mm | 034280 | F4B-LT7-60M | 5 | 034290 | F4B-LT10-60M | 5 |
| 215 | 2-15/16 | 033277 | F4B-LT7-215 | 18 | 033217 | F4B-LT10-215 | 18 |
| | 3 | 033278 | F4B-LT7-300 | 17.7 | 033218 | F4B-LT10-300 | 17.7 |
| | 70mm | 034281 | F4B-LT7-70M | 8.16 | 034291 | F4B-LT10-70M | 8.16 |
| | 75mm | 034282 | F4B-LT7-75M | 8.03 | 034292 | F4B-LT10-75M | 8.03 |

FEATURES/BENEFITS
PAGE B13-2

SPECIFICATION/HTO
PAGE B13-4

NOMENCLATURE
PAGE B13-5

SELECTION
PAGE B13-6

SELECTION/DIMENSIONS



Sleeve Bearings - SOLIDLUBE 3/4" THRU 3" SOLIDLUBE LT 4-BOLT FLANGE BEARING

| Series | Shaft Size | A | B | C | D | F Bolt | H | J | L |
|--------|----------------------------------|---------|-------|---------|-------|--------|-------|-------|---------|
| 204 | 3/4 | 29/32 | 3-3/8 | 1-1/8 | 2-1/2 | 3/8 | 7/16 | 5/32 | 1-3/8 |
| | 20mm | 23.0 | 85.7 | 28.6 | 63.5 | 10.0 | 11.1 | 3.2 | 34.9 |
| 205 | 7/8 | 63/64 | 3-3/4 | 1-1/8 | 2-3/4 | 7/16 | 1/2 | 3/16 | 1-9/16 |
| | 15/16 1 25mm | 25.4 | 95.2 | 28.6 | 69.9 | 10.0 | 12.7 | 4.8 | 39.7 |
| 206 | 1-1/8 | 31/32 | 4-1/4 | 1-7/32 | 3-1/4 | 7/16 | 1/2 | 5/32 | 1-13/16 |
| | 1-3/16 30mm | 28.2 | 108.0 | 31.0 | 82.6 | 10.0 | 12.7 | 4.0 | 46.0 |
| 207 | 1-1/4 | 1-7/32 | 4-3/4 | 1-3/8 | 3-5/8 | 1/2 | 9/16 | 5/32 | 2-1/8 |
| | 1-3/8 1-7/16 1-1/2 35mm | 31.0 | 120.7 | 34.9 | 92.1 | 12.0 | 14.3 | 4.0 | 54.0 |
| 209 | 1-11/16 | 1-11/32 | 5-3/8 | 1-19/32 | 4-1/8 | 1/2 | 5/8 | 13/64 | 2-9/16 |
| | 1-3/4 40mm 45mm | 33.7 | 136.5 | 40.5 | 104.8 | 12.0 | 15.9 | 4.8 | 65.1 |
| 210 | 1-15/16 | 1-13/32 | 5-5/8 | 1-21/32 | 4-3/8 | 1/2 | 5/8 | 7/32 | 2-13/16 |
| | 2 50mm | 35.7 | 142.9 | 42.1 | 111.1 | 12.0 | 15.9 | 4.8 | 71.4 |
| 211 | 2-3/16 | 1-17/32 | 6-1/2 | 1-25/32 | 5-1/8 | 5/8 | 11/16 | 7/32 | 3-1/8 |
| 212 | 2-7/16 | 1-15/32 | 7 | 1-31/32 | 5-5/8 | 5/8 | 11/16 | 11/64 | 3-1/2 |
| | 2-1/2 60mm | 41.3 | 177.8 | 47.6 | 142.9 | 16.0 | 17.5 | 4.0 | 88.9 |
| 215 | 2-15/16 | 2-23/32 | 7-3/4 | 2-3/4 | 6 | 3/4 | 1 | 17/32 | 3-15/16 |
| | 3 70mm 75mm | 61.1 | 196.9 | 70.6 | 152.4 | 18.0 | 25.4 | 13.5 | 100.0 |

All Dimensions Are in Millimeters Unless Otherwise Specified.

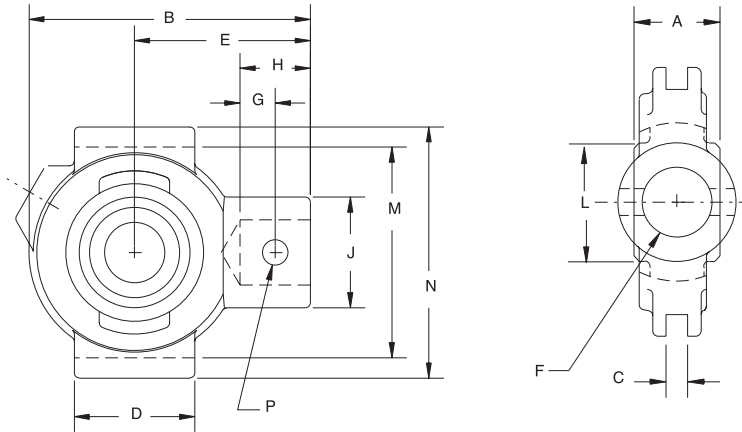
| | | | |
|---------------------------------|---------------------------------|----------------------------|-------------------------|
| FEATURES/BENEFITS PAGE B13-2 | SPECIFICATION/HTO PAGE B13-4 | NOMENCLATURE PAGE B13-5 | SELECTION PAGE B13-6 |
|---------------------------------|---------------------------------|----------------------------|-------------------------|

SELECTION/DIMENSIONS



Sleeve Bearings - SOLIDLUBE

3/4" THRU 2-1/2" SOLIDLUBE LT NARROW SLOT TAKE-UP BEARINGS



| Series | Shaft Size | LT700 | | | LT1000 | | | Used on Frame |
|--------|------------|---------------|--------------|------|---------------|---------------|------|---------------|
| | | Part No. | Description | Wt. | Part No. | Description | Wt. | |
| 204 | 3/4 | 033810 | NSTU-LT7-012 | 1.7 | 033840 | NSTU-LT10-012 | 1.7 | NS-210 |
| | 20mm | 034293 | NSTU-LT7-20M | 0.77 | 034303 | NSTU-LT10-20M | 0.77 | WS-300 |
| 205 | 7/8 | 033811 | NSTU-LT7-014 | 1.9 | 033841 | NSTU-LT10-014 | 1.9 | NS-210 |
| | 15/16 | 033812 | NSTU-LT7-015 | 1.8 | 033842 | NSTU-LT10-015 | 1.8 | |
| | 1 | 033813 | NSTU-LT7-100 | 1.7 | 033843 | NSTU-LT10-100 | 1.7 | WS-300 |
| | 25mm | 034294 | NSTU-LT7-25M | 0.77 | 034304 | NSTU-LT10-25M | 0.77 | |
| 206 | 1-1/8 | 033814 | NSTU-LT7-102 | 2.8 | 033844 | NSTU-LT10-102 | 2.8 | NS-308 |
| | 1-3/16 | 033815 | NSTU-LT7-103 | 2.7 | 033845 | NSTU-LT10-103 | 2.7 | WS-308 |
| | 30mm | 034295 | NSTU-LT7-30M | 1.22 | 034305 | NSTU-LT10-30M | 1.22 | |
| 207 | 1-1/4 | 033816 | NSTU-LT7-104 | 3.2 | 033846 | NSTU-LT10-104 | 3.2 | NS-308 |
| | 1-3/8 | 033817 | NSTU-LT7-106 | 3.0 | 033847 | NSTU-LT10-106 | 3.0 | |
| | 1-7/16 | 033818 | NSTU-LT7-107 | 2.9 | 033848 | NSTU-LT10-107 | 2.9 | |
| | 1-1/2 | 033819 | NSTU-LT7-108 | 2.8 | 033849 | NSTU-LT10-108 | 2.8 | WS-308 |
| | 35mm | 034296 | NSTU-LT7-35M | 1.36 | 034306 | NSTU-LT10-35M | 1.36 | |
| 209 | 1-11/16 | 033820 | NSTU-LT7-111 | 4.9 | 033850 | NSTU-LT10-111 | 4.9 | NS-400 |
| | 1-3/4 | 033821 | NSTU-LT7-112 | 4.8 | 033851 | NSTU-LT10-112 | 4.8 | WS-400 |
| | 40mm | 034297 | NSTU-LT7-40M | 2.22 | 034307 | NSTU-LT10-40M | 2.22 | |
| | 45mm | 034298 | NSTU-LT7-45M | 2.18 | 034308 | NSTU-LT10-45M | 2.18 | |
| 210 | 1-15/16 | 033822 | NSTU-LT7-115 | 5.5 | 033852 | NSTU-LT10-115 | 5.5 | NS-400 |
| | 2 | 033823 | NSTU-LT7-200 | 5.3 | 033853 | NSTU-LT10-200 | 5.3 | WS-400 |
| | 50mm | 034299 | NSTU-LT7-50M | 2.4 | 034309 | NSTU-LT10-50M | 2.4 | |
| 211 | 2-3/16 | 033824 | NSTU-LT7-203 | 6.7 | 033854 | NSTU-LT10-203 | 6.7 | NS-407 |
| 212 | 2-7/16 | 033825 | NSTU-LT7-207 | 7.4 | 033855 | NSTU-LT10-207 | 7.4 | NS-415 |
| | 2-1/2 | 033826 | NSTU-LT7-208 | 7.0 | 033856 | NSTU-LT10-208 | 7.0 | |
| | 60mm | 034300 | NSTU-LT7-60M | 3.18 | 034310 | NSTU-LT10-60M | 3.18 | WS-502 |

| | | | |
|---------------------------------|---------------------------------|----------------------------|-------------------------|
| FEATURES/BENEFITS PAGE B13-2 | SPECIFICATION/HTO PAGE B13-4 | NOMENCLATURE PAGE B13-5 | SELECTION PAGE B13-6 |
|---------------------------------|---------------------------------|----------------------------|-------------------------|

SELECTION/DIMENSIONS



Sleeve Bearings - SOLIDLUBE 3/4" THRU 2-1/2" SOLIDLUBE LT NARROW SLOT TAKE-UP BEARINGS

| Series | Shaft Size | A | B | C | D | E | F Screw Dia. | G |
|--------|--------------------------------|---------|---------|------|-------|---------|--------------|-------|
| 204 | 3/4 | 1 | 3-1/2 | 1/4 | 1-1/2 | 2-3/16 | 3/4 | 7/16 |
| | 20mm | 25.4 | 88.9 | 6.4 | 38.1 | 55.6 | 3/4 | 11.1 |
| 205 | 7/8, 15/16, 1 | 1-1/16 | 3-9/16 | 1/4 | 1-1/2 | 2-3/16 | 3/4 | 7/16 |
| | 25mm | 27 | 90.5 | 6.4 | 38.1 | 55.6 | 3/4 | 11.1 |
| 206 | 1-1/8 | 1-3/16 | 4-5/16 | 1/4 | 2-1/2 | 2-11/16 | 3/4 | 7/16 |
| | 1-3/16 | | | | | | | |
| 207 | 30mm | 30.2 | 109.5 | 6.4 | 63.5 | 68.3 | 3/4 | 11.1 |
| | 1-1/4, 1-3/8, 1-7/16, 1-1/2 | 1-5/16 | 4-1/2 | 1/4 | 2-1/2 | 2-11/16 | 3/4 | 7/16 |
| 209 | 35mm | 33.3 | 114.3 | 6.4 | 63.5 | 68.3 | 3/4 | 11.1 |
| | 1-11/16, 1-3/4 | 1-9/16 | 5-7/16 | 5/16 | 3 | 3-1/4 | 7/8 | 1/2 |
| 210 | 40mm | 39.7 | 138.1 | 7.9 | 76.2 | 82.6 | 7/8 | 12.7 |
| | 45mm | | | | | | | |
| 211 | 1-15/16, 2 | 1-5/8 | 5-1/2 | 5/16 | 3 | 3-1/4 | 7/8 | 1/2 |
| | 50mm | 41.3 | 139.7 | 7.9 | 76.2 | 82.6 | 7/8 | 12.7 |
| 212 | 2-3/16 | 1-3/4 | 6-1/8 | 5/16 | 3-1/2 | 3-5/8 | 1 | 19/32 |
| | 2-7/16, 2-1/2 | 1-13/16 | 6-11/16 | 5/16 | 3-3/4 | 3-7/8 | 1 | 19/32 |
| | 60mm | 46 | 169.9 | 7.9 | 95.3 | 95.3 | 1 | 15.1 |

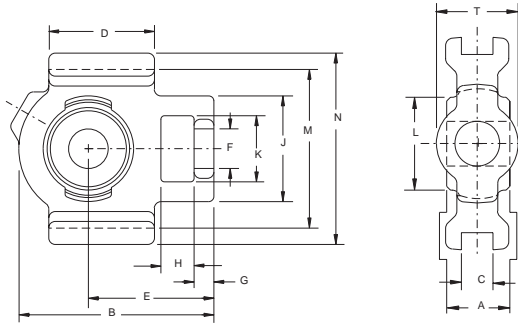
| Series | Shaft Size | H | J | L | M | N | P Pin Dia. |
|--------|--------------------------------|--------|-------|---------|---------|-------|------------|
| 204 | 3/4 | 7/8 | 1-3/8 | 1-3/8 | 2-5/8 | 3-1/8 | 5/16 |
| | 20mm | 22.2 | 34.9 | 34.9 | 66.7 | 79.4 | 5/16 |
| 205 | 7/8, 15/16, 1 | 7/8 | 1-3/8 | 1-9/16 | 2-5/8 | 3-1/8 | 5/16 |
| | 25mm | 22.2 | 34.9 | 39.7 | 66.7 | 79.4 | 5/16 |
| 206 | 1-1/8 | 15/16 | 1-3/8 | 1-13/16 | 3-1/2 | 4-1/8 | 5/16 |
| | 1-3/16 | | | | | | |
| 207 | 30mm | 23.8 | 34.9 | 46.0 | 88.9 | 104.8 | 5/16 |
| | 1-1/4, 1-3/8, 1-7/16, 1-1/2 | 15/16 | 1-3/8 | 2-1/8 | 3-1/2 | 4-1/8 | 5/16 |
| 209 | 35mm | 23.8 | 34.9 | 54.0 | 88.9 | 104.8 | 5/16 |
| | 1-11/16, 1-3/4 | 1-7/32 | 1-5/8 | 2-9/16 | 4 | 4-3/4 | 3/8 |
| 210 | 40mm | 31.0 | 41.3 | 65.1 | 101.6 | 120.7 | 3/8 |
| | 45mm | | | | | | |
| 211 | 1-15/16, 2 | 1-3/32 | 1-5/8 | 2-13/16 | 4 | 4-3/4 | 3/8 |
| | 50mm | 27.8 | 41.3 | 71.4 | 101.6 | 120.7 | 3/8 |
| 212 | 2-3/16 | 1-9/32 | 1-5/8 | 3-1/2 | 4-15/16 | 5-3/4 | 7/16 |
| | 2-7/16, 2-1/2 | 1-9/32 | 1-3/4 | 3-1/8 | 4-7/16 | 5-3/8 | 7/16 |
| | 60mm | 32.5 | 41.3 | 88.9 | 125.4 | 146.1 | 7/16 |

| | | | |
|---------------------------------|---------------------------------|----------------------------|-------------------------|
| FEATURES/BENEFITS PAGE B13-2 | SPECIFICATION/HTO PAGE B13-4 | NOMENCLATURE PAGE B13-5 | SELECTION PAGE B13-6 |
|---------------------------------|---------------------------------|----------------------------|-------------------------|

SELECTION/DIMENSIONS



Sleeve Bearings - SOLIDLUBE 3/4" THRU 3" SOLIDLUBE LT WIDE SLOT TAKE-UP BEARINGS



| Series | Shaft Size | LT700 | | | LT1000 | | | Used on Frame |
|--------|------------|---------------|--------------|------|---------------|---------------|------|---------------|
| | | Part No. | Description | Wt. | Part No. | Description | Wt. | |
| 204 | 3/4 | 033870 | WSTU-LT7-012 | 2.4 | 033910 | WSTU-LT10-012 | 2.4 | WS-300 |
| | 20mm | 034313 | WSTU-LT7-20M | 1.09 | 034323 | WSTU-LT10-20M | 1.09 | WS-300 |
| 205 | 7/8 | 033871 | WSTU-LT7-014 | 2.6 | 033911 | WSTU-LT10-014 | 2.6 | WS-300 |
| | 15/16 | 033872 | WSTU-LT7-015 | 2.5 | 033912 | WSTU-LT10-015 | 2.5 | |
| | 1 | 033873 | WSTU-LT7-100 | 2.4 | 033913 | WSTU-LT10-100 | 2.4 | WS-300 |
| | 25mm | 034314 | WSTU-LT7-25M | 1.09 | 034324 | WSTU-LT10-25M | 1.09 | |
| 206 | 1-1/8 | 033874 | WSTU-LT7-102 | 3.2 | 033914 | WSTU-LT10-102 | 3.2 | WS-308 |
| | 1-3/16 | 033875 | WSTU-LT7-103 | 3.1 | 033915 | WSTU-LT10-103 | 3.1 | |
| 207 | 30mm | 034315 | WSTU-LT7-30M | 1.41 | 034325 | WSTU-LT10-30M | 1.41 | WS-308 |
| | 1-1/4 | 033876 | WSTU-LT7-104 | 4.2 | 033916 | WSTU-LT10-104 | 4.2 | |
| | 1-3/8 | 033877 | WSTU-LT7-106 | 3.9 | 033917 | WSTU-LT10-106 | 3.9 | |
| | 1-7/16 | 033878 | WSTU-LT7-107 | 3.8 | 033918 | WSTU-LT10-107 | 3.8 | |
| | 1-1/2 | 033879 | WSTU-LT7-108 | 3.7 | 033919 | WSTU-LT10-108 | 3.7 | |
| 209 | 35mm | 034316 | WSTU-LT7-35M | 1.77 | 034326 | WSTU-LT10-35M | 1.77 | WS-308 |
| | 1-11/16 | 033880 | WSTU-LT7-111 | 6.1 | 033920 | WSTU-LT10-111 | 6.1 | |
| | 1-3/4 | 033881 | WSTU-LT7-112 | 6 | 033921 | WSTU-LT10-112 | 6 | |
| 210 | 40mm | 034317 | WSTU-LT7-40M | 2.77 | 034327 | WSTU-LT10-40M | 2.77 | WS-400 |
| | 45mm | 034318 | WSTU-LT7-45M | 2.72 | 034328 | WSTU-LT10-45M | 2.72 | |
| | 1-15/16 | 033882 | WSTU-LT7-115 | 6.7 | 033922 | WSTU-LT10-115 | 6.7 | |
| 211 | 2 | 033883 | WSTU-LT7-200 | 6.5 | 033923 | WSTU-LT10-200 | 6.5 | WS-400 |
| | 50mm | 034319 | WSTU-LT7-50M | 2.95 | 034329 | WSTU-LT10-50M | 2.95 | |
| 212 | 2-3/16 | 033884 | WSTU-LT7-203 | 9.8 | 033924 | WSTU-LT10-203 | 9.8 | WS-502 |
| | 2-7/16 | 033885 | WSTU-LT7-207 | 10.1 | 033925 | WSTU-LT10-207 | 10.1 | |
| | 2-1/2 | 033886 | WSTU-LT7-208 | 9.8 | 033926 | WSTU-LT10-208 | 9.8 | |
| 215 | 60mm | 034320 | WSTU-LT7-60M | 4.58 | 034330 | WSTU-LT10-60M | 4.58 | WS-502 |
| | 2-15/16 | 033887 | WSTU-LT7-215 | 13 | 033927 | WSTU-LT10-215 | 13 | |
| | 3 | 033888 | WSTU-LT7-300 | 12.5 | 033928 | WSTU-LT10-300 | 12.5 | |
| | 70mm | 034321 | WSTU-LT7-70M | 5.9 | 034331 | WSTU-LT10-70M | 5.9 | |
| | 75mm | 034322 | WSTU-LT7-75M | 5.67 | 034332 | WSTU-LT10-75M | 5.67 | WS-515 |

| | | | |
|---------------------------------|---------------------------------|----------------------------|-------------------------|
| FEATURES/BENEFITS PAGE B13-2 | SPECIFICATION/HTO PAGE B13-4 | NOMENCLATURE PAGE B13-5 | SELECTION PAGE B13-6 |
|---------------------------------|---------------------------------|----------------------------|-------------------------|

SELECTION/DIMENSIONS



Sleeve Bearings - SOLIDLUBE 3/4" THRU 3 SOLIDLUBE LT WIDE SLOT TAKE-UP BEARINGS

| Series | Shaft Size | A | B | C | D | E | F Dia. | G |
|--------|----------------|---------|---------|--------|-------|---------|--------|-------|
| 204 | 3/4 | 1 | 3-11/16 | 17/32 | 2 | 2-3/8 | 3/4 | 3/8 |
| | 20mm | 25.4 | 93.7 | 13.5 | 50.8 | 60.3 | 3/4 | 9.5 |
| 205 | 7/8, 15/16, 1 | 1-1/16 | 3-13/16 | 17/32 | 2 | 2-7/16 | 13/16 | 3/8 |
| | 25mm | 27.0 | 96.8 | 13.5 | 50.8 | 61.9 | 13/16 | 9.5 |
| 206 | 1-1/8, 1-3/16 | 1-3/16 | 4-3/8 | 17/32 | 2-1/4 | 2-3/4 | 7/8 | 3/8 |
| | 30mm | 30.2 | 111.1 | 13.5 | 57.2 | 69.9 | 7/8 | 9.5 |
| 207 | 1-1/4, 1-3/8 | 1-5/16 | 4-7/8 | 17/32 | 2-1/2 | 3-1/16 | 7/8 | 1/2 |
| | 1-7/16, 1-1/2 | 33.3 | 123.8 | 13.5 | 63.5 | 77.8 | 7/8 | 23.7 |
| 209 | 1-11/16, 1-3/4 | 1-9/16 | 5-5/8 | 11/16 | 3-1/4 | 3-7/16 | 1-1/8 | 5/8 |
| | 40mm, 45mm | 39.7 | 142.9 | 17.5 | 82.6 | 87.3 | 1-1/8 | 15.9 |
| 210 | 1-15/16, 2 | 1-5/8 | 5-13/16 | 11/16 | 3-3/8 | 3-9/16 | 1-1/8 | 5/8 |
| | 50mm | 41.3 | 147.6 | 17.5 | 85.7 | 90.5 | 1-1/8 | 15.9 |
| 211 | 2-3/16 | 1-3/4 | 6-11/16 | 1-1/16 | 3-3/4 | 4-3/16 | 1-3/8 | 3/4 |
| 212 | 2-7/16, 2-1/2 | 1-13/16 | 7-1/2 | 1-1/16 | 4 | 4-11/16 | 1-3/8 | 3/4 |
| | 60mm | 46.0 | 190.5 | 27.0 | 101.6 | 119.1 | 1-3/8 | 19.1 |
| 215 | 2-15/16, 3 | 2-23/32 | 9-1/8 | 1-1/16 | 4-3/4 | 5-1/2 | 1-9/16 | 13/16 |
| | 70mm, 75mm | 69.1 | 231.8 | 27.0 | 120.7 | 139.7 | 1-9/16 | 20.6 |

| Series | Shaft Size | H | J | K | L | M | N | T |
|--------|----------------|-------|--------|---------|---------|---------|---------|---------|
| 204 | 3/4 | 5/8 | 2 | 1-1/4 | 1-3/8 | 3 | 3-5/8 | 1-3/8 |
| | 20mm | 15.9 | 50.8 | 31.8 | 34.9 | 76.2 | 92.1 | 34.9 |
| 205 | 7/8, 15/16, 1 | 5/8 | 2 | 1-5/16 | 1-9/16 | 3 | 3-5/8 | 1-3/8 |
| | 25mm | 15.9 | 50.8 | 33.3 | 39.7 | 76.2 | 92.1 | 34.9 |
| 206 | 1-1/8, 1-3/16 | 5/8 | 2-3/16 | 1-7/16 | 1-13/16 | 3-1/2 | 4-1/8 | 1-5/8 |
| | 30mm | 15.9 | 55.6 | 36.5 | 46.0 | 88.9 | 104.8 | 41.3 |
| 207 | 1-1/4, 1-3/8 | 5/8 | 2-1/2 | 1-7/16 | 2-1/8 | 3-1/2 | 4-1/8 | 1-5/8 |
| | 1-7/16, 1-1/2 | 15.9 | 63.5 | 36.5 | 54.0 | 88.9 | 104.8 | 41.3 |
| 209 | 1-11/16, 1-3/4 | 3/4 | 3-1/4 | 1-15/16 | 2-9/16 | 4 | 4-3/4 | 1-15/16 |
| | 40mm, 45mm | 19.1 | 82.6 | 49.2 | 65.1 | 101.6 | 120.7 | 49.2 |
| 210 | 1-15/16, 2 | 3/4 | 3-1/4 | 1-15/16 | 2-13/16 | 4 | 4-3/4 | 1-15/16 |
| | 50mm | 19.1 | 82.6 | 49.2 | 71.4 | 101.6 | 120.7 | 49.2 |
| 211 | 2-3/16 | 1 | 4 | 2-1/2 | 3-1/8 | 5-1/8 | 5-7/8 | 2-1/2 |
| 212 | 2-7/16, 2-1/2 | 1-1/4 | 4 | 2-1/2 | 3-1/2 | 5-1/8 | 5-7/8 | 2-1/2 |
| | 60mm | 31.8 | 101.6 | 63.5 | 88.9 | 130.2 | 149.2 | 63.5 |
| 215 | 2-15/16, 3 | 1-1/4 | 4-3/8 | 2-3/4 | 3-15/16 | 5-15/16 | 6-11/16 | 2-3/4 |
| | 70mm, 75mm | 31.8 | 111.1 | 69.9 | 100.0 | 150.8 | 169.9 | 69.9 |

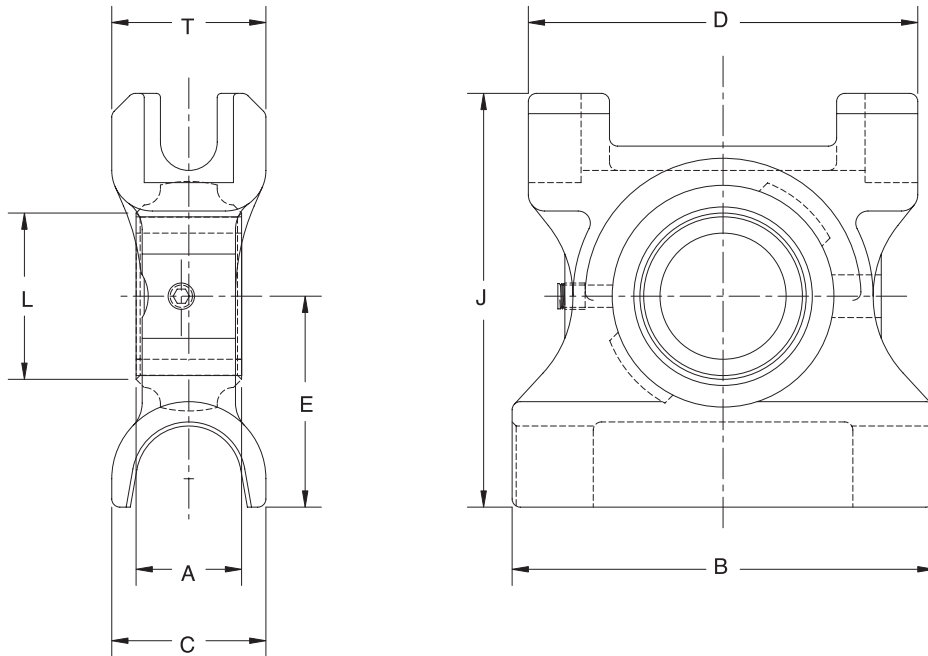
| | | | |
|---------------------------------|---------------------------------|----------------------------|-------------------------|
| FEATURES/BENEFITS PAGE B13-2 | SPECIFICATION/HTO PAGE B13-4 | NOMENCLATURE PAGE B13-5 | SELECTION PAGE B13-6 |
|---------------------------------|---------------------------------|----------------------------|-------------------------|



SELECTION/DIMENSIONS

DODGE

Sleeve Bearings - SOLIDLUBE 1-15/16" THRU 3" TYPE GLT SOLIDLUBE TAKE-UP BEARINGS



| Shaft Size | 700 Series | | 1000 Series | | Wt. | Frame Size |
|------------|---------------|-------------|---------------|--------------|------|------------|
| | Part No. | Description | Part No. | Description | | |
| 1-15/16 | 033739 | TP-GLT7-115 | 033750 | TP-GLT10-115 | 10.1 | TP10 |
| 2 | 033740 | TP-GLT7-200 | 033751 | TP-GLT10-200 | | |
| 2-3/16 | 033741 | TP-GLT7-203 | 033752 | TP-GLT10-203 | 11.8 | TP20 |
| 2-7/16 | 033742 | TP-GLT7-207 | 033753 | TP-GLT10-207 | 14.1 | TP30 |
| 2-1/2 | 033743 | TP-GLT7-208 | 033754 | TP-GLT10-208 | | |
| 2-15/16 | 033744 | TP-GLT7-215 | 033755 | TP-GLT10-215 | 17.0 | TP40 |
| 3 | 033745 | TP-GLT7-300 | 033756 | TP-GLT10-300 | | |

| | | | |
|---------------------------------|---------------------------------|----------------------------|-------------------------|
| FEATURES/BENEFITS PAGE B13-2 | SPECIFICATION/HTO PAGE B13-4 | NOMENCLATURE PAGE B13-5 | SELECTION PAGE B13-6 |
|---------------------------------|---------------------------------|----------------------------|-------------------------|

SELECTION/DIMENSIONS



Sleeve Bearings - SOLIDLUBE 1-15/16" THRU 3" TYPE GLT SOLIDLUBE TAKE-UP BEARINGS

IMPERIAL - ISAF

UNIFIED SAF

International Bearings

Sleeve Bearing

SLEEVOIL

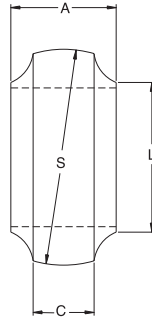
| Shaft Size | A | B | C | D | E | J | L | T |
|-----------------|---------|-------|-------|-------|-------|--------|---------|-------|
| 1-15/16 2 | 1-5/8 | 6-1/2 | 2-3/8 | 6 | 3-1/4 | 6-3/8 | 2-13/16 | 2-3/8 |
| 2-3/16 | 1-3/4 | 7 | 2-1/2 | 6-3/4 | 3-3/8 | 6-7/8 | 3-1/8 | 2-3/8 |
| 2-7/16 2-1/2 | 1-13/16 | 7-1/2 | 2-3/4 | 7 | 3-1/2 | 7-7/16 | 3-1/2 | 2-3/4 |
| 2-15/16 3 | 2-23/32 | 8-1/2 | 2-1/2 | 8 | 4 | 8-5/16 | 3-15/16 | 2-3/4 |

| | | | |
|---------------------------------|---------------------------------|----------------------------|-------------------------|
| FEATURES/BENEFITS PAGE B13-2 | SPECIFICATION/HTO PAGE B13-4 | NOMENCLATURE PAGE B13-5 | SELECTION PAGE B13-6 |
|---------------------------------|---------------------------------|----------------------------|-------------------------|

SELECTION/DIMENSIONS



Sleeve Bearings - SOLIDLUBE 3/4" THRU 3" SOLIDLUBE LT INSERTS



| Series | Shaft Size | 700 Series | | | 1000 Series | | |
|--------|------------|---------------|--------------------------|------|---------------|---------------------------|------|
| | | Part No. | LT700 Series Description | Wt. | Part No. | LT1000 Series Description | Wt. |
| 204 | 3/4 | 033585 | INS-LT7-012 | 0.30 | 033610 | INS-LT10-012 | 0.30 |
| | 20mm | 034454 | INS-LT7-20M | 0.14 | 034455 | INS-LT10-20M | 0.14 |
| 205 | 7/8 | 033586 | INS-LT7-014 | 0.50 | 033611 | INS-LT10-014 | 0.50 |
| | 15/16 | 033587 | INS-LT7-015 | 0.40 | 033612 | INS-LT10-015 | 0.40 |
| | 1 | 033588 | INS-LT7-100 | 0.30 | 033613 | INS-LT10-100 | 0.30 |
| | 25mm | 034456 | INS-LT7-25M | 0.14 | 034457 | INS-LT10-25M | 0.14 |
| 206 | 1-1/8 | 033589 | INS-LT7-102 | 0.70 | 033614 | INS-LT10-102 | 0.70 |
| | 1-3/16 | 033590 | INS-LT7-103 | 0.60 | 033615 | INS-LT10-103 | 0.60 |
| | 30mm | 034458 | INS-LT7-30M | 0.32 | 034459 | INS-LT10-30M | 0.32 |
| 207 | 1-1/4 | 033591 | INS-LT7-104 | 1.20 | 033616 | INS-LT10-104 | 1.20 |
| | 1-3/8 | 033592 | INS-LT7-106 | 1.00 | 033617 | INS-LT10-106 | 1.00 |
| | 1-7/16 | 033593 | INS-LT7-107 | 0.90 | 033618 | INS-LT10-107 | 0.90 |
| | 1-1/2 | 033594 | INS-LT7-108 | 0.80 | 033619 | INS-LT10-108 | 0.80 |
| | 35mm | 034460 | INS-LT7-35M | 0.45 | 034461 | INS-LT10-35M | 0.45 |
| 209 | 1-11/16 | 033595 | INS-LT7-111 | 1.60 | 033620 | INS-LT10-111 | 1.60 |
| | 1-3/4 | 033596 | INS-LT7-112 | 1.40 | 033621 | INS-LT10-112 | 1.40 |
| | 40mm | 034462 | INS-LT7-40M | 0.73 | 034463 | INS-LT10-40M | 0.73 |
| | 45mm | 034464 | INS-LT7-45M | 0.64 | 034465 | INS-LT10-45M | 0.64 |
| 210 | 1-15/16 | 033597 | INS-LT7-115 | 1.80 | 033622 | INS-LT10-115 | 1.80 |
| | 2 | 033598 | INS-LT7-200 | 1.60 | 033623 | INS-LT10-200 | 1.60 |
| | 50mm | 034466 | INS-LT7-50M | 0.73 | 034467 | INS-LT10-50M | 0.73 |
| 211 | 2-3/16 | 033599 | INS-LT7-203 | 2.30 | 033624 | INS-LT10-203 | 2.30 |
| 212 | 2-7/16 | 033600 | INS-LT7-207 | 3.20 | 033625 | INS-LT10-207 | 3.20 |
| | 2-1/2 | 033601 | INS-LT7-208 | 3.00 | 033626 | INS-LT10-208 | 3.00 |
| | 60mm | 034468 | INS-LT7-60M | 1.45 | 034469 | INS-LT10-60M | 1.45 |
| 215 | 2-15/16 | 033602 | INS-LT7-215 | 5.80 | 033627 | INS-LT10-215 | 5.80 |
| | 3 | 034117 | INS-LT7-300 | 5.50 | 034525 | INS-LT10-300 | 5.50 |
| | 70mm | 034470 | INS-LT7-70M | | 034471 | INS-LT10-70M | |
| | 75mm | 034472 | INS-LT7-75M | 2.50 | 034473 | INS-LT10-75M | 2.50 |

| | | | |
|---------------------------------|---------------------------------|----------------------------|-------------------------|
| FEATURES/BENEFITS PAGE B13-2 | SPECIFICATION/HTO PAGE B13-4 | NOMENCLATURE PAGE B13-5 | SELECTION PAGE B13-6 |
|---------------------------------|---------------------------------|----------------------------|-------------------------|

SELECTION/DIMENSIONS



Sleeve Bearings - SOLIDLUBE 3/4" THRU 3" SOLIDLUBE LT INSERTS

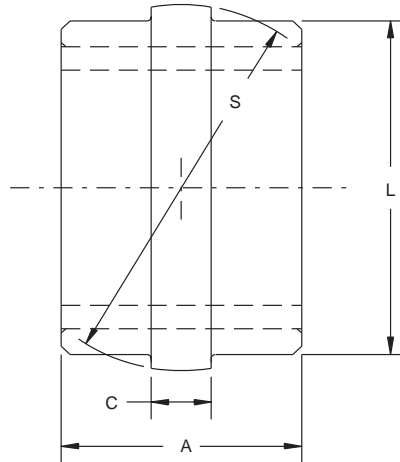
| Series | Shaft Size | A | C | L | S |
|--------|------------|---------|--------|---------|-----------------|
| 204 | 3/4 | 1 | 5/8 | 1-3/8 | 1.8445/1.8425 |
| | 20mm | 25.4 | 15.9 | 34.9 | 46.850 / 46.800 |
| 205 | 7/8 | 1-1/16 | 5/8 | 1-9/16 | 2.0415/2.0395 |
| | 15/16 | | | | |
| 206 | 1 | 1-3/16 | 11/16 | 1-13/16 | 2.435/2.433 |
| | 25mm | | | | |
| 207 | 1-1/8 | 1-5/16 | 13/16 | 2-1/8 | 2.829/2.827 |
| | 1-3/8 | | | | |
| 209 | 1-7/16 | 1-9/16 | 13/16 | 2-9/16 | 3.3415/3.3395 |
| | 1-1/2 | | | | |
| 210 | 35mm | 1-5/8 | 7/8 | 2-13/16 | 3.5375/3.5355 |
| | 1-11/16 | | | | |
| 211 | 1-3/4 | 1-3/4 | 15/16 | 3-1/8 | 3.932/3.930 |
| | 40mm | | | | |
| 212 | 45mm | 1-13/16 | 1-1/16 | 3-1/2 | 4.326/4.324 |
| | 2-7/16 | | | | |
| 215 | 2-1/2 | 2-23/32 | 1-3/16 | 3-15/16 | 5.1135/5.1115 |
| | 60mm | | | | |
| 215 | 70mm | 2-23/32 | 1-3/16 | 3-15/16 | 5.1135/5.1115 |
| | 75mm | | | | |

| | | | |
|---------------------------------|---------------------------------|----------------------------|-------------------------|
| FEATURES/BENEFITS PAGE B13-2 | SPECIFICATION/HTO PAGE B13-4 | NOMENCLATURE PAGE B13-5 | SELECTION PAGE B13-6 |
|---------------------------------|---------------------------------|----------------------------|-------------------------|

SELECTION/DIMENSIONS



Sleeve Bearings - SOLIDLUBE 3-7/16" THRU 5" SOLIDLUBE MM BEARING INSERTS



| Shaft Size | 700 Series | | 1000 Series | | Wt. |
|------------|---------------|-------------|---------------|--------------|------|
| | Part No. | Description | Part No. | Description | |
| 3-7/16 | 034438 | INS-MM7-307 | 034439 | INS-MM10-307 | 6.4 |
| 3-1/2 | 034440 | INS-MM7-308 | 034441 | INS-MM10-308 | 6.2 |
| 3-15/16 | 034442 | INS-MM7-315 | 034443 | INS-MM10-315 | 10.0 |
| 4 | 034444 | INS-MM7-400 | 034445 | INS-MM10-400 | 9.8 |
| 4-7/16 | 034446 | INS-MM7-407 | 034447 | INS-MM10-407 | 20.0 |
| 4-1/2 | 034448 | INS-MM7-408 | 034449 | INS-MM10-408 | 19.7 |
| 4-15/16 | 034450 | INS-MM7-415 | 034451 | INS-MM10-415 | 27.0 |
| 5 | 034452 | INS-MM7-500 | 034453 | INS-MM10-500 | 26.5 |

| Shaft Size | Wt. | A | C | L Dia. | S Spherical Dia. |
|------------|------|-------|-------|---------|------------------|
| 3-7/16 | 6.4 | 3-1/2 | 7/8 | 4-7/8 | 5.182/5.180 |
| 3-1/2 | 6.2 | | | | |
| 3-15/16 | 10.0 | 4 | 1-1/8 | 5-5/8 | 6.057/6.055 |
| 4 | 9.8 | | | | |
| 4-7/16 | 20.0 | 4-1/2 | 1-1/4 | 6-15/16 | 7.370/7.367 |
| 4-1/2 | 19.7 | | | | |
| 4-15/16 | 27.0 | 5 | 1-3/8 | 7-9/16 | 7.995/7.992 |
| 5 | 26.5 | | | | |

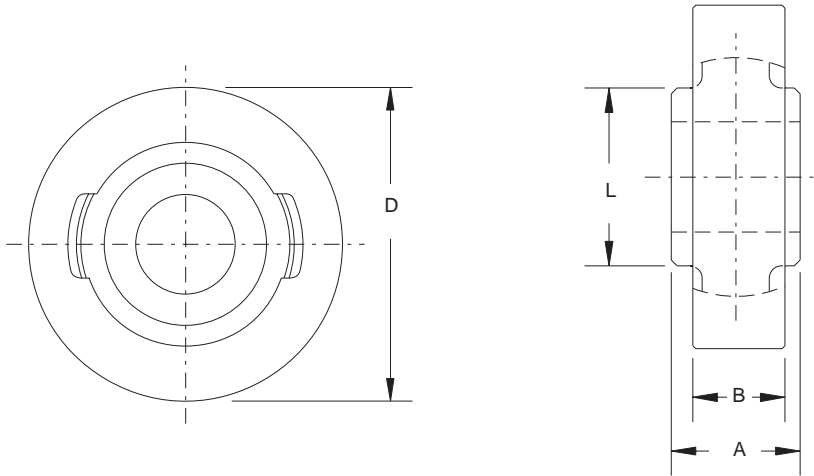
◆ No Published Metric Dimensions For This Product

| | | | |
|---------------------------------|---------------------------------|----------------------------|-------------------------|
| FEATURES/BENEFITS PAGE B13-2 | SPECIFICATION/HTO PAGE B13-4 | NOMENCLATURE PAGE B13-5 | SELECTION PAGE B13-6 |
|---------------------------------|---------------------------------|----------------------------|-------------------------|

SELECTION/DIMENSIONS



Sleeve Bearings - SOLIDLUBE 7/8" THRU 1-1/2" SOLIDLUBE LT CYLINDRICAL UNITS



| Shaft Size | LT700 | | | LT1000 | | |
|------------|---------------|-------------|------|---------------|--------------|-----|
| | Part Number | Description | Wt. | Part Number | Description | Wt. |
| 7/8 | 033961 | CYL-LT7-014 | 1.5 | 422596 | CYL-LT10-014 | 1.5 |
| 15/16 | 033960 | CYL-LT7-015 | | 422595 | CYL-LT10-015 | |
| 1 | 033962 | CYL-LT7-100 | | 422597 | CYL-LT10-100 | |
| 1-1/8 | 033963 | CYL-LT7-102 | 29.0 | 492598 | CYL-LT10-102 | 2.9 |
| 1-3/16 | 033964 | CYL-LT7-103 | | 422599 | CYL-LT10-103 | |
| 1-1/4 | 033965 | CYL-LT7-104 | | 422600 | CYL-LT10-104 | |
| 1-3/8 | 033966 | CYL-LT7-106 | 3.0 | 422601 | CYL-LT10-106 | 3.0 |
| 1-7/16 | 033967 | CYL-LT7-107 | | 422602 | CYL-LT10-107 | |
| 1-1/2 | 033968 | CYL-LT7-108 | | 422603 | CYL-LT10-108 | |

| Shaft Size | A | B | D Dia. + .000 - .002 | L |
|-----------------------------------|--------|--------|----------------------------|---------|
| 7/8 15/16 1 | 1-1/16 | 27/32 | 3-1/8 | 1-9/16 |
| 1-1/8 1-3/16 | 1-3/16 | 15/16 | 3-1/2 | 1-13/16 |
| 1-1/4 1-3/8 1-7/16 1-1/2 | 1-5/16 | 1-1/16 | 3-7/8 | 2-1/8 |

◆ No Published Metric Dimensions For This Product

| | | | |
|---------------------------------|---------------------------------|----------------------------|-------------------------|
| FEATURES/BENEFITS PAGE B13-2 | SPECIFICATION/HTO PAGE B13-4 | NOMENCLATURE PAGE B13-5 | SELECTION PAGE B13-6 |
|---------------------------------|---------------------------------|----------------------------|-------------------------|

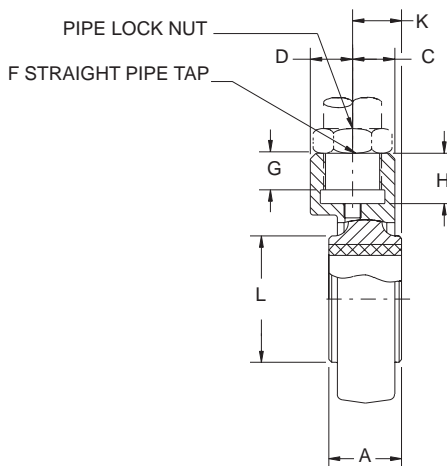
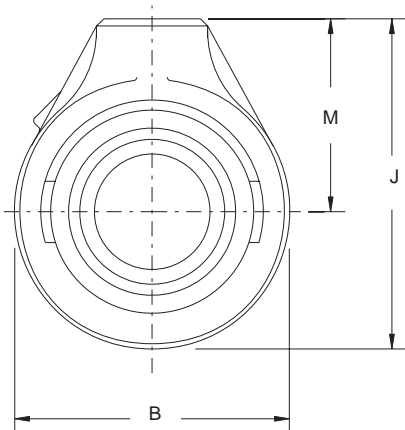
SELECTION/DIMENSIONS



Sleeve Bearings - SOLIDLUBE

1-15/16" THRU 2-1/2"

SOLIDLUBE LT SCREW CONVEYOR HANGER BEARING



| Series | Shaft Size | LT700 Series | | | LT1000 Series | | |
|--------|------------|---------------|--------------|-----|---------------|---------------|-----|
| | | Part No. | Description | Wt. | Part No. | Description | Wt. |
| 210 | 1-15/16 | 033937 | SCHB-LT7-115 | 5.8 | 033952 | SCHB-LT10-115 | 1.9 |
| | 2 | 033938 | SCHB-LT7-200 | 5.7 | 033953 | SCHB-LT10-200 | 2.0 |
| 212 | 2-7/16 | 033939 | SCHB-LT7-207 | 7.1 | 033954 | SCHB-LT10-207 | 5.0 |
| | 2-1/2 | 033940 | SCHB-LT7-208 | 7.0 | 033955 | SCHB-LT10-208 | 4.8 |

| Series | Shaft Size | A | B | C | D | F# | G | H | J | K | L | M |
|--------|------------|---------|-------|--------|--------|-------|-------|--------|--------|--------|---------|-------|
| 210 | 1-15/16 | 1-5/8 | 4-5/8 | 7/8 | 15/16 | 1 | 13/16 | 1-1/8 | 5-9/16 | 1-3/32 | 2-13/16 | 3-1/4 |
| | 2 | 1-5/8 | 4-5/8 | 7/8 | 15/16 | 1 | 13/16 | 1-1/8 | 5-9/16 | 1-3/32 | 2-13/16 | 3-1/4 |
| 212 | 2-7/16 | 1-13/16 | 5-1/2 | 1-5/32 | 1-5/32 | 1-1/4 | 1-1/8 | 1-7/16 | 6-3/4 | 1-1/4 | 3-1/2 | 4 |
| | 2-1/2 | 1-13/16 | 5-1/2 | 1-5/32 | 1-5/32 | 1-1/4 | 1-1/8 | 1-7/16 | 6-3/4 | 1-1/4 | 3-1/2 | 4 |

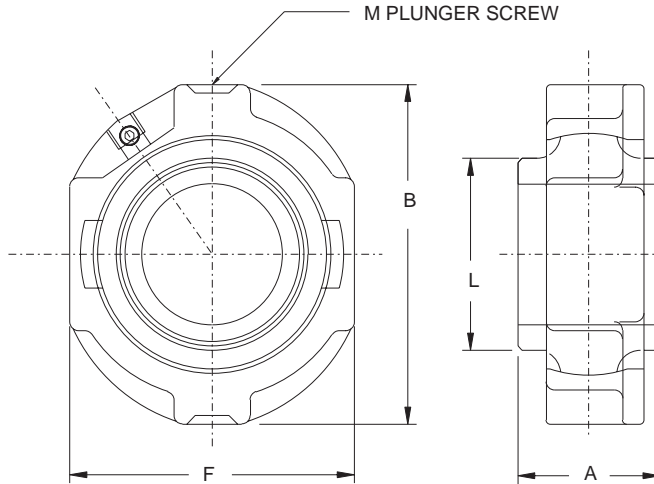
◆ No Published Metric Dimensions For This Product

| | | | |
|---------------------------------|---------------------------------|----------------------------|-------------------------|
| FEATURES/BENEFITS PAGE B13-2 | SPECIFICATION/HTO PAGE B13-4 | NOMENCLATURE PAGE B13-5 | SELECTION PAGE B13-6 |
|---------------------------------|---------------------------------|----------------------------|-------------------------|

SELECTION/DIMENSIONS



Sleeve Bearings - SOLIDLUBE 1-1/8" THRU 2" SOLIDLUBE LT HANGER BEARINGS



| Shaft Size | LT700 | | LT1000 | | Wt. |
|------------|---------------|-------------|---------------|--------------|-----|
| | Part No. | Description | Part No. | Description | |
| 1-1/8 | 033890 | HNG-LT7-102 | 033900 | HNG-LT10-102 | 1.9 |
| 1-3/16 | 033891 | HNG-LT7-103 | 033901 | HNG-LT10-103 | 2.0 |
| 1-1/4 | 033892 | HNG-LT7-104 | 033902 | HNG-LT10-104 | 3.1 |
| 1-3/8 | 033893 | HNG-LT7-106 | 033903 | HNG-LT10-106 | 3.0 |
| 1-7/16 | 033894 | HNG-LT7-107 | 033904 | HNG-LT10-107 | 2.9 |
| 1-1/2 | 033895 | HNG-LT7-108 | 033905 | HNG-LT10-108 | 2.8 |
| 1-15/16 | 033896 | HNG-LT7-115 | 033906 | HNG-LT10-115 | 5.0 |
| 2 | 033897 | HNG-LT7-200 | 033907 | HNG-LT10-200 | 4.8 |

| Shaft Size | A | B | F | L | M |
|------------|--------|-------|--------|---------|-----|
| 1-1/8 | 1-3/16 | 3-5/8 | 3 | 1-13/16 | 1/2 |
| 1-3/16 | | | | | |
| 1-1/4 | 1-5/16 | 4-1/4 | 3-1/2 | 2-1/8 | 1/2 |
| 1-3/8 | | | | | |
| 1-7/16 | | | | | |
| 1-1/2 | | | | | |
| 1-15/16 | 1-5/8 | 5 | 4-3/16 | 2-13/16 | 5/8 |
| 2 | | | | | |

◆ No Published Metric Dimensions For This Product

| | | | |
|---------------------------------|---------------------------------|----------------------------|-------------------------|
| FEATURES/BENEFITS PAGE B13-2 | SPECIFICATION/HTO PAGE B13-4 | NOMENCLATURE PAGE B13-5 | SELECTION PAGE B13-6 |
|---------------------------------|---------------------------------|----------------------------|-------------------------|

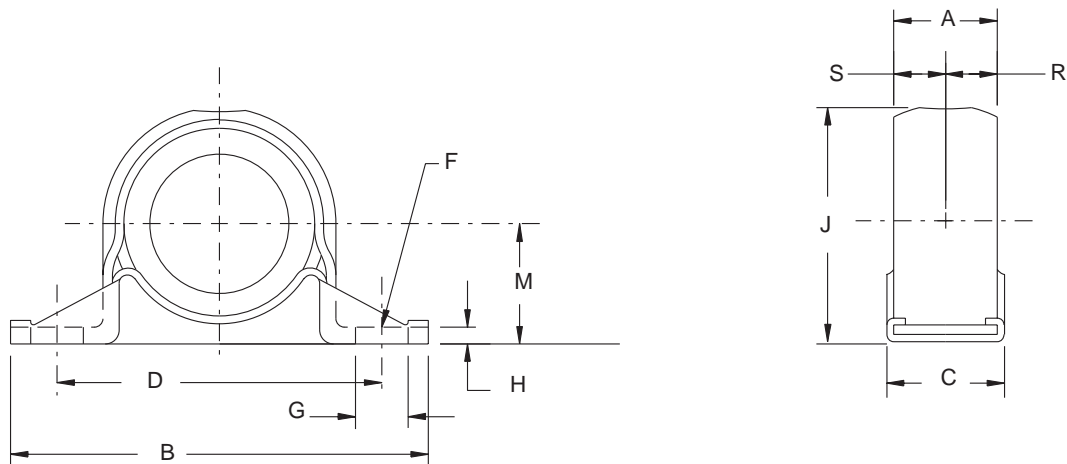
SELECTION/DIMENSIONS

DODGE®



Sleeve Bearings - SOLIDLUBE

3/4" THRU 1-1/2" SOLIDLUBE LM800 PILLOW BLOCKS



| Shaft Size | Part No. | Description | Wt. | A | B | C | D |
|------------|---------------|-------------|-----|-------|-------|---------|-------|
| 3/4 | 033692 | P2B-LM8-012 | .70 | | | | |
| 1 | 033693 | P2B-LM8-100 | .22 | 1 | 4 | 1-7/32 | 3 |
| 1-1/4 | 033694 | P2B-LM8-104 | .70 | 1-1/8 | 4-1/2 | 1-11/32 | 3-1/2 |
| 1-1/2 | 033695 | P2B-LM8-108 | .50 | | | | |

| Shaft Size | F Bolt Dia. | G | H | J | M | R | S |
|------------|-------------|------|------|--------|--------|------|------|
| 3/4 | 3/8 | 9/16 | 5/32 | 2-1/16 | 1-1/16 | 1/2 | 1/2 |
| 1 | 3/8 | 9/16 | 5/32 | 2-9/16 | 1-5/16 | 9/16 | 9/16 |
| 1-1/4 | 3/8 | 9/16 | 5/32 | 2-9/16 | 1-5/16 | 9/16 | 9/16 |
| 1-1/2 | 3/8 | 9/16 | 5/32 | 2-9/16 | 1-5/16 | 9/16 | 9/16 |

◆ No Published Metric Dimensions For This Product

FEATURES/BENEFITS
PAGE B13-2

SPECIFICATION/HTO
PAGE B13-4

NOMENCLATURE
PAGE B13-5

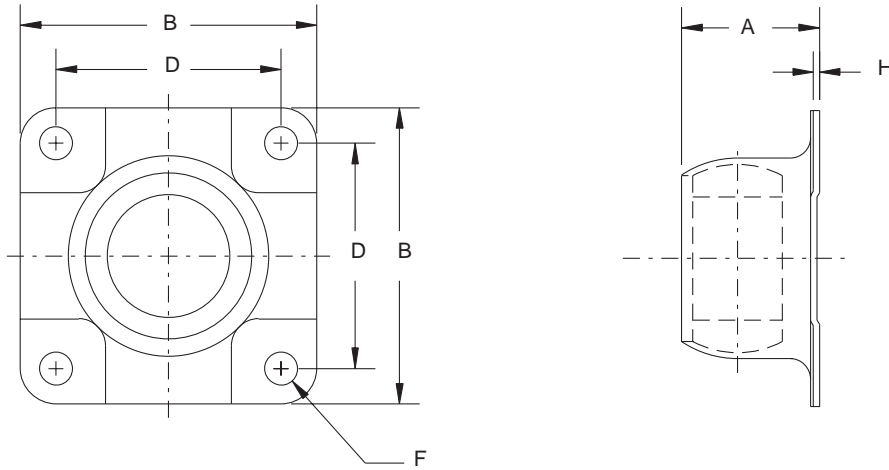
SELECTION
PAGE B13-6

SELECTION/DIMENSIONS



Sleeve Bearings - SOLIDLUBE

3/4" THRU 1-1/2" SOLIDLUBE LM800 4-BOLT FLANGE BEARING



| Shaft Size | Part No. | Description | Wt. | A |
|------------|---------------|-------------|-----|---------|
| 3/4 | 033696 | F4B-LM8-012 | .50 | 1-9/32 |
| 1 | 033697 | F4B-LM8-100 | .36 | 1-9/32 |
| 1-1/4 | 033698 | F4B-LM8-104 | .50 | 1-11/16 |
| 1-1/2 | 033699 | F4B-LM8-108 | .50 | 1-11/16 |

| Shaft Size | B | D | F Bolt Dia | H |
|------------|-------|-------|------------|------|
| 3/4 | 3-1/8 | 2-1/4 | 3/8 | 1/16 |
| 1 | 3-5/8 | 2-3/4 | 3/8 | 1/16 |
| 1-1/4 | 3-5/8 | 2-3/4 | 3/8 | 1/16 |
| 1-1/2 | 3-5/8 | 2-3/4 | 3/8 | 1/16 |

◆ No Published Metric Dimensions For This Product

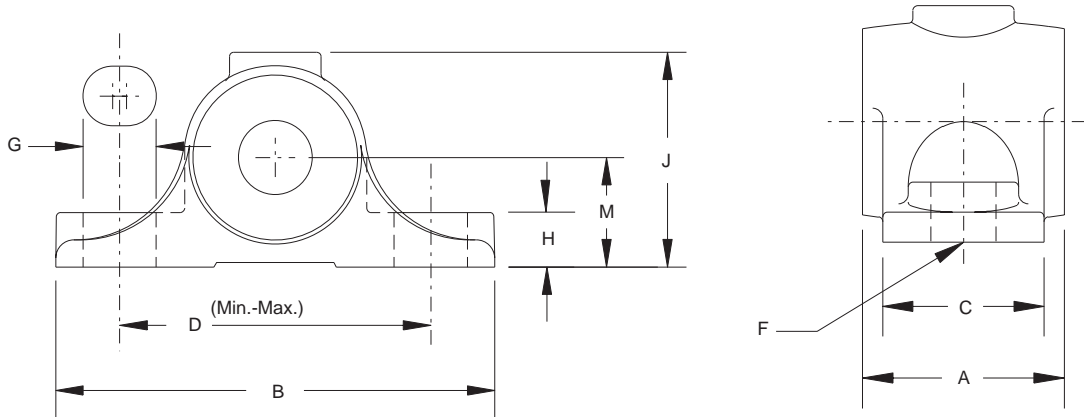
| | | | |
|---------------------------------|---------------------------------|----------------------------|-------------------------|
| FEATURES/BENEFITS PAGE B13-2 | SPECIFICATION/HTO PAGE B13-4 | NOMENCLATURE PAGE B13-5 | SELECTION PAGE B13-6 |
|---------------------------------|---------------------------------|----------------------------|-------------------------|



SELECTION/DIMENSIONS

DODGE®

Sleeve Bearings - Babbitted 1/2" THRU 3-7/16" SOLID BABBITTED JOURNAL BEARINGS



| Shaft Size | Part No. | Description | Wt. | Frame | A | B | C | D | |
|------------|---------------|--------------|-----|-------|-------|--------|-------|---------|---------|
| | | | | | | | | Min. | Max. |
| 1/2 | 006102 | P2B-BASO-008 | 0.6 | LD-10 | 1-1/4 | 3 | 1 | 2-1/32 | 2-7/32 |
| 5/8 | 006104 | P2B-BASO-010 | 1.0 | LD-10 | 1-1/2 | 3-1/2 | 1-1/8 | 2-13/32 | 2-19/32 |
| 3/4 | 006107 | P2B-BASO-012 | 0.9 | | | | | | |
| 7/8 | 006109 | P2B-BASO-014 | 1.7 | LD-10 | 1-7/8 | 4 | 1-1/2 | 2-7/8 | 3-1/8 |
| 15/16 | 006110 | P2B-BASO-015 | 1.6 | | | | | | |
| 1 | 006111 | P2B-BASO-100 | 1.5 | | | | | | |
| 1-1/8 | 006113 | P2B-BASO-102 | 2.7 | LD-10 | 2-3/8 | 4-3/4 | 1-3/4 | 3-3/8 | 3-5/8 |
| 1-3/16 | 006114 | P2B-BASO-103 | 2.6 | | | | | | |
| 1-1/4 | 006115 | P2B-BASO-104 | 2.5 | | | | | | |
| 1-5/16 | 006117 | P2B-BASO-105 | 4.4 | ... | 2-7/8 | 5-1/2 | 2 | 3-7/8 | 4-1/8 |
| 1-3/8 | 006118 | P2B-BASO-106 | 4.2 | | | | | | |
| 1-7/16 | 006119 | P2B-BASO-107 | 4.0 | | | | | | |
| 1-1/2 | 006120 | P2B-BASO-108 | 3.8 | | | | | | |
| 1-11/16 | 006124 | P2B-BASO-111 | 6.0 | LD-20 | 3-3/8 | 6-1/4 | 2-1/4 | 4-11/32 | 4-21/32 |
| 1-3/4 | 006125 | P2B-BASO-112 | 5.8 | | | | | | |
| 1-15/16 | 006128 | P2B-BASO-115 | 8.2 | ... | 3-7/8 | 7 | 2-1/2 | 5-1/8 | 5-3/8 |
| 2 | 006129 | P2B-BASO-200 | 8.0 | | | | | | |
| 2-3/16 | 006132 | P2B-BASO-203 | 12 | ... | 4-3/8 | 7-3/4 | 2-3/4 | 5-1/2 | 6 |
| 2-7/16 | 006136 | P2B-BASO-207 | 15 | ... | 4-7/8 | 8-1/2 | 3 | 6 | 6-1/2 |
| 2-11/16 | 006140 | P2B-BASO-211 | 19 | ... | 5-3/8 | 9-1/4 | 3-1/4 | 6-1/2 | 7 |
| 2-15/16 | 006144 | P2B-BASO-215 | 25 | LD-45 | 5-7/8 | 10 | 3-1/2 | 7-9/32 | 7-23/32 |
| 3-3/16 | 006148 | P2B-BASO-303 | 33 | ... | 6-7/8 | 10-3/4 | 4 | 7-5/8 | 8-3/8 |
| 3-7/16 | 006152 | P2B-BASO-307 | 30 | | | | | | |

◆ No Published Metric Dimensions For This Product

| | | | |
|---------------------------------|---------------------------------|----------------------------|-------------------------|
| FEATURES/BENEFITS PAGE B13-2 | SPECIFICATION/HTO PAGE B13-4 | NOMENCLATURE PAGE B13-5 | SELECTION PAGE B13-6 |
|---------------------------------|---------------------------------|----------------------------|-------------------------|

SELECTION/DIMENSIONS



Sleeve Bearings - Babbitted 1/2" THRU 3-7/16" SOLID BABBITTED JOURNAL BEARINGS

IMPERIAL - ISAF

UNIFIED SAF

International Bearings

Sleeve Bearing

SLEEVOIL

| Shaft Size | F Bolt | G | H | J | M | Grease Cups # | | |
|------------------------------------|--------|--------|---------|---------|-------|---------------|----------|------|
| | | | | | | Pipe Tap | No. Reqd | Size |
| 1/2 | 5/16 | 1/2 | 3/8 | 1-15/32 | 3/4 | 1/8 | 1 | 0 |
| 5/8 3/4 | 5/16 | 1/2 | 1/2 | 1-23/32 | 7/8 | 1/8 | 1 | 0 |
| 7/8 15/16 1 | 3/8 | 9/16 | 5/8 | 2 | 1 | 1/8 | 1 | 0 |
| 1-1/8 1-3/16 1-1/4 | 7/16 | 21/32 | 11/16 | 2-7/16 | 1-1/4 | 1/8 | 1 | 0 |
| 1-5/16 1-3/8 1-7/16 1-1/2 | 1/2 | 11/16 | 7/8 | 2-3/4 | 1-3/8 | 1/4 | 1 | 0 |
| 1-11/16 1-3/4 | 9/16 | 13/16 | 1 | 3-1/16 | 1-1/2 | 1/4 | 1 | 0 |
| 1-15/16 2 | 5/8 | 13/16 | 1-1/8 | 3-1/2 | 1-3/4 | 1/4 | 1 | 0 |
| 2-3/16 | 11/16 | 1-1/32 | 1-1/4 | 3-13/16 | 1-7/8 | 3/8 | 1 | 2 |
| 2-7/16 | 3/4 | 1-1/8 | 1-3/8 | 4-1/4 | 2-1/8 | 3/8 | 1 | 2 |
| 2-11/16 | 13/16 | 1-5/32 | 1-1/2 | 4-9/16 | 2-1/4 | 3/8 | 1 | 2 |
| 2-15/16 | 7/8 | 1-5/32 | 1-11/16 | 5 | 2-1/2 | 3/8 | 1 | 2 |
| 3-3/16 3-7/16 | 1 | 1-7/16 | 1-7/8 | 5-7/16 | 2-3/4 | 3/8 | 1 | 2 |

Grease cups or pressure fittings may be obtained thru our distributors; one required per bearing.

See page B13-10 for grease fitting and reducer bushing part numbers

Note: All blocks have two base bolts.

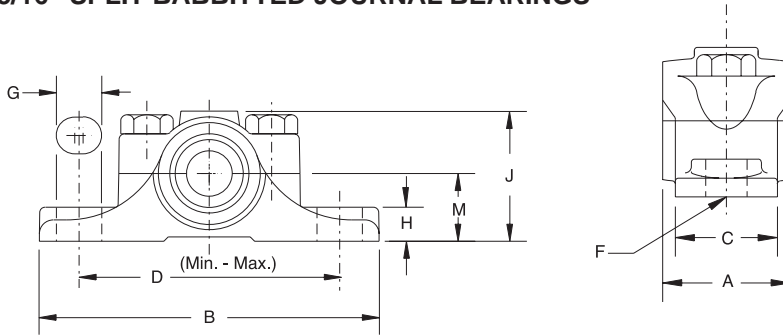
◆ No Published Metric Dimensions For This Product

| | | | |
|---------------------------------|---------------------------------|----------------------------|-------------------------|
| FEATURES/BENEFITS PAGE B13-2 | SPECIFICATION/HTO PAGE B13-4 | NOMENCLATURE PAGE B13-5 | SELECTION PAGE B13-6 |
|---------------------------------|---------------------------------|----------------------------|-------------------------|

SELECTION/DIMENSIONS



Sleeve Bearings - Babbitted 1/2" THRU 3-15/16" SPLIT BABBITTED JOURNAL BEARINGS



| Shaft Size | Part No. | Description | Wt. | A | B | C | D | |
|------------|---------------|--------------|------|-------|--------|--------|---------|----------|
| | | | | | | | Min. | Max. |
| 1/2 | 006001 | P2B-BASP-008 | 0.8 | 1-1/4 | 3-3/4 | 1 | 2-3/4 | 3 |
| 5/8 | 006004 | P2B-BASP-010 | 1.1 | 1-1/2 | 4-1/4 | 1-1/8 | 3-1/8 | 3-3/8 |
| 3/4 | 006007 | P2B-BASP-012 | 1.0 | | | | | |
| 7/8 | 006010 | P2B-BASP-014 | 1.9 | 2 | 4-3/4 | 1-1/2 | 3-1/2 | 3-3/4 |
| 15/16 | 006013 | P2B-BASP-015 | 1.8 | | | | | |
| 1 | 006016 | P2B-BASP-100 | 1.7 | | | | | |
| 1-1/16 | 006019 | P2B-BASP-101 | 3.3 | 2-1/2 | 5-1/4 | 1-3/4 | 4 | 4-1/4 |
| 1-1/8 | 006022 | P2B-BASP-102 | 3.2 | | | | | |
| 1-3/16 | 006025 | P2B-BASP-103 | 3.1 | | | | | |
| 1-1/4 | 006028 | P2B-BASP-104 | 3.0 | | | | | |
| 1-5/16 | 006031 | P2B-BASP-105 | 5.0 | 3 | 6-1/4 | 2 | 4-13/16 | 4-15/16 |
| 1-3/8 | 006034 | P2B-BASP-106 | 4.8 | | | | | |
| 1-7/16 | 006037 | P2B-BASP-107 | 1.6 | | | | | |
| 1-1/2 | 006040 | P2B-BASP-108 | 4.4 | | | | | |
| 1-5/8 | 006043 | P2B-BASP-110 | 6.6 | | | | | |
| 1-11/16 | 006046 | P2B-BASP-111 | 6.4 | 3-3/8 | 6-3/4 | 2-1/4 | 5-1/8 | 5-3/8 |
| 1-3/4 | 006049 | P2B-BASP-112 | 6.2 | | | | | |
| 1-15/16 | 006052 | P2B-BASP-115 | 8.6 | 4 | 7-1/2 | 2-1/2 | 5-15/16 | 6-1/16 |
| 2 | 006055 | P2B-BASP-200 | 8.3 | | | | | |
| 2-3/16 | 006058 | P2B-BASP-203 | 12.2 | | | | | |
| 2-1/4 | 006061 | P2B-BASP-204 | 11.9 | 4-1/2 | 8-1/2 | 2-3/4 | 6-1/4 | 6-3/4 |
| 2-7/16 | 006064 | P2B-BASP-207 | 15.6 | 5 | 9-1/4 | 3 | 6-7/8 | 7-3/8 |
| 2-1/2 | 006067 | P2B-BASP-208 | 15.1 | | | | | |
| 2-11/16 | 006070 | P2B-BASP-211 | 20.0 | 5-3/8 | 10 | 3-5/16 | 7-1/2 | 8 |
| 2-15/16 | 006073 | P2B-BASP-215 | 24.2 | 6 | 10-3/4 | 3-1/2 | 8-1/4 | 8-3/4 |
| 3 | 006076 | P2B-BASP-300 | 23.7 | | | | | |
| 3-7/16 | 006079 | P2B-BASP-307 | 40 | 6-7/8 | 12 | 4 | 8-7/8 | 9-5/8 |
| 3-15/16 | 006082 | P2B-BASP-315 | 53 | 7-7/8 | 13-1/2 | 4-1/2 | 10-3/32 | 10-29/32 |

◆ No Published Metric Dimensions For This Product

| | | | |
|---------------------------------|---------------------------------|----------------------------|-------------------------|
| FEATURES/BENEFITS PAGE B13-2 | SPECIFICATION/HTO PAGE B13-4 | NOMENCLATURE PAGE B13-5 | SELECTION PAGE B13-6 |
|---------------------------------|---------------------------------|----------------------------|-------------------------|

SELECTION/DIMENSIONS



Sleeve Bearings - Babbitted 1/2" THRU 3-15/16" SPLIT BABBITTED JOURNAL BEARINGS

| Shaft Size | F Bolt | G | H | J | M | Grease Cups # | | |
|------------------------------------|--------|-------|--------|---------|-------|---------------|-----------|------|
| | | | | | | Pipe Tap | No. Req'd | Size |
| 1/2 | 5/16 | 1/2 | 23/64 | 1-15/32 | 3/4 | 1/8 | 1 | 0 |
| 5/8 3/4 | 5/16 | 1/2 | 1/2 | 1-23/32 | 7/8 | 1/8 | 1 | 0 |
| 7/8 15/16 1 | 3/8 | 9/16 | 9/16 | 2 | 1 | 1/8 | 1 | 0 |
| 1-1/16 1-1/8 1-3/16 1-1/4 | 7/16 | 5/8 | 5/8 | 2-7/16 | 1-1/4 | 1/8 | 1 | 0 |
| 1-5/16 1-3/8 1-7/16 1-1/2 | 9/16 | 11/16 | 3/4 | 2-3/4 | 1-3/8 | 1/4 | 1 | 0 |
| 1-5/8 1-11/16 1-3/4 | 9/16 | 25/32 | 13/16 | 3-1/16 | 1-1/2 | 1/4 | 1 | 0 |
| 1-15/16 2 | 11/16 | 13/16 | 15/16 | 3-1/2 | 1-3/4 | 1/4 | 1 | 0 |
| 2-3/16 2-1/4 | 11/16 | 1 | 1 | 3-13/16 | 1-7/8 | 3/8 | 1 | 2 |
| 2-7/16 2-1/2 | 11/16 | 1 | 1-1/8 | 4-1/4 | 2-1/8 | 3/8 | 1 | 2 |
| 2-11/16 | 13/16 | 1-1/8 | 1-3/16 | 4-9/16 | 2-1/4 | 3/8 | 1 | 2 |
| 2-15/16 3 | 13/16 | 1-1/8 | 1-5/16 | 5 | 2-1/2 | 3/8 | 1 | 2 |
| 3-7/16 | 15/16 | 1-3/8 | 1-1/2 | 5-3/4 | 2-7/8 | 1/2 | 1 | 3 |
| 3-15/16 | 1 | 1-1/2 | 1-5/8 | 6-7/16 | 3-1/8 | 1/2 | 1 | 3 |

Grease cups or pressure fittings may be obtained thru our distributors; one required per bearing.
See page B13-10 for grease fitting and reducer bushing part numbers

Note: All blocks have 2 base bolts and 2 cap bolts

◆ No Published Metric Dimensions For This Product

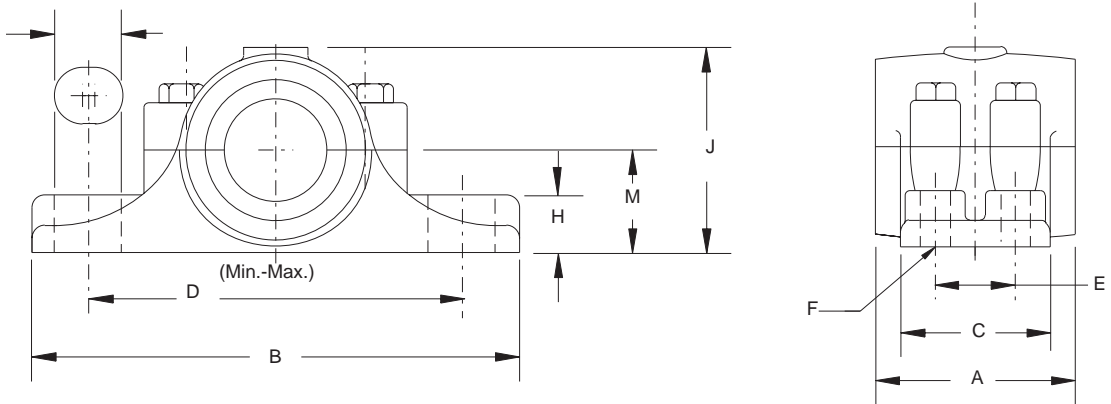
| | | | |
|---------------------------------|---------------------------------|----------------------------|-------------------------|
| FEATURES/BENEFITS PAGE B13-2 | SPECIFICATION/HTO PAGE B13-4 | NOMENCLATURE PAGE B13-5 | SELECTION PAGE B13-6 |
|---------------------------------|---------------------------------|----------------------------|-------------------------|

SELECTION/DIMENSIONS



Sleeve Bearings - Babbitted

1-15/16" THRU 8" RIGID BABBITTED JOURNAL BEARINGS (SPLIT HOUSING)



| Shaft Size | Part No. | Description | Wt. | A | B | C | D | |
|------------|---------------|-------------|------|-------|--------|--------|--------|--------|
| | | | | | | | Min. | Max. |
| 1-15/16 | 004060 | P4B-BAR-115 | 10.6 | 4 | 8-1/4 | 3-1/2 | 6-3/8 | 6-5/8 |
| 2 | 004063 | P4B-BAR-200 | | | | | | |
| 2-3/16 | 004066 | P4B-BAR-203 | 13.2 | 4-1/2 | 8-1/2 | 3-1/2 | 6-5/8 | 6-7/8 |
| 2-1/4 | 004069 | P4B-BAR-204 | | | | | | |
| 2-7/16 | 004072 | P4B-BAR-207 | 18.4 | 5 | 10-1/4 | 4 | 7-3/4 | 8-1/4 |
| 2-1/2 | 004075 | P4B-BAR-208 | | | | | | |
| 2-11/16 | 004078 | P4B-BAR-211 | 22.4 | 5-1/2 | 10-1/2 | 4-1/4 | 8 | 8-1/2 |
| 2-15/16 | 004081 | P4B-BAR-215 | 30.6 | 6 | 11 | 4-1/2 | 8-1/2 | 9 |
| 3 | 004084 | P4B-BAR-300 | | | | | | |
| 3-3/16 | 004087 | P4B-BAR-303 | | | | | | |
| 3-7/16 | 004090 | P4B-BAR-307 | 50.2 | 7 | 13 | 5 | 10-1/8 | 10-7/8 |
| 3-1/2 | 004093 | P4B-BAR-308 | | | | | | |
| 3-15/16 | 004096 | P4B-BAR-315 | 64 | 8 | 14-3/4 | 5-1/2 | 11-1/2 | 12-1/2 |
| 4-7/16 | 004099 | P4B-BAR-407 | 88 | 9 | 16-1/2 | 6-1/4 | 13 | 14 |
| 4-15/16 | 004102 | P4B-BAR-415 | 113 | 10 | 18 | 7 | 14-3/8 | 15-5/8 |
| 5-7/16 | 004105 | P4B-BAR-507 | 147 | 11 | 19-1/4 | 7-3/4 | 15-1/8 | 16-3/8 |
| 5-15/16 | 004108 | P4B-BAR-515 | 184 | 12 | 20-1/2 | 8-1/2 | 15-7/8 | 17-1/8 |
| 6-1/2 | 004113 | P4B-BAR-608 | 255 | 13 | 22 | 9-1/2 | 17-3/8 | 18-5/8 |
| 7 | 004114 | P4B-BAR-700 | 310 | 14 | 23 | 10 | 18-3/8 | 19-5/8 |
| 7-1/2 | 004115 | P4B-BAR-708 | 370 | 15 | 24-1/2 | 10-1/2 | 19-3/8 | 20-5/8 |
| 8 | 004116 | P4B-BAR-800 | 430 | 16 | 26 | 11 | 20-3/4 | 22-1/4 |

◆ No Published Metric Dimensions For This Product

| | | | |
|---------------------------------|---------------------------------|----------------------------|-------------------------|
| FEATURES/BENEFITS PAGE B13-2 | SPECIFICATION/HTO PAGE B13-4 | NOMENCLATURE PAGE B13-5 | SELECTION PAGE B13-6 |
|---------------------------------|---------------------------------|----------------------------|-------------------------|

SELECTION/DIMENSIONS



Sleeve Bearings - Babbitted 1-15/16" THRU 8" RIGID BABBITTED JOURNAL BEARINGS (SPLIT HOUSING)

IMPERIAL - ISAF

UNIFIED SAF

International Bearings

Sleeve Bearing

SLEEVOIL

| Shaft Size | E | F Bolt | G | H | J | M | Grease Cups # | | |
|---------------------------|-------|--------|-------|-------|----------|-------|---------------|----------|------|
| | | | | | | | Pipe Tap | No. Reqd | Size |
| 1-15/16 2 | 1-3/4 | 1/2 | 3/4 | 7/8 | 3-1/2 | 1-3/4 | 1/4 | 1 | 1 |
| 2-3/16 2-1/4 | 1-3/4 | 1/2 | 3/4 | 1 | 3-13/16 | 1-7/8 | 3/8 | 1 | 2 |
| 2-7/16 2-1/2 | 2 | 5/8 | 1 | 1-1/8 | 4-1/4 | 2-1/8 | 3/8 | 1 | 2 |
| 2-11/16 | 2-1/4 | 5/8 | 1 | 1-1/4 | 4-9/16 | 2-1/4 | 3/8 | 1 | 2 |
| 2-15/16 3 | 2-1/2 | 5/8 | 1 | 1-3/8 | 5 | 2-1/2 | 3/8 | 1 | 2 |
| 3-3/16 3-7/16 3-1/2 | 2-3/4 | 3/4 | 1-1/4 | 1-1/2 | 5-29/32 | 3-1/4 | 1/2 | 1 | 3 |
| 3-15/16 | 3 | 3/4 | 1-3/8 | 1-5/8 | 6-17/32 | 3-1/2 | 1/2 | 1 | 4 |
| 4-7/16 | 3-1/2 | 7/8 | 1-1/2 | 1-3/4 | 7-17/32 | 4-1/8 | 1/2 | 1 | 4 |
| 4-15/16 | 4 | 7/8 | 1-5/8 | 1-7/8 | 8-7/32 | 4-1/2 | 1/2 | 1 | 4 |
| 5-7/16 | 4-1/2 | 1 | 1-3/4 | 2 | 9-1/32 | 5 | 1/2 | 2 | 3 |
| 5-15/16 | 5 | 1-1/8 | 1-7/8 | 2-1/8 | 9-7/8 | 5-1/2 | 1/2 | 2 | 3 |
| 6-1/2 | 5-1/2 | 1-1/8 | 1-7/8 | 2-1/4 | 10-23/32 | 6 | 1/2 | 2 | 4 |
| 7 | 6 | 1-1/4 | 2 | 2-3/8 | 11-1/2 | 6-1/2 | 1/2 | 2 | 4 |
| 7-1/2 | 6-1/4 | 1-3/8 | 2-1/8 | 2-1/2 | 12-5/32 | 6-3/4 | 1/2 | 2 | 4 |
| 8 | 6-3/4 | 1-3/8 | 2-1/4 | 2-1/2 | 12-3/4 | 7 | 1/2 | 2 | 4 |

Grease cups or pressure fittings may be obtained thru our distributors; one required per bearing up thru 4-15/16" sizes and two required for balance of sizes.

See page B13-10 for grease fitting and reducer bushing part number.

Note: 1-15/16 - 3" sizes have 2 cap bolts. 3-3/16 and larger sizes have 4 cap bolts (shown in diagram)

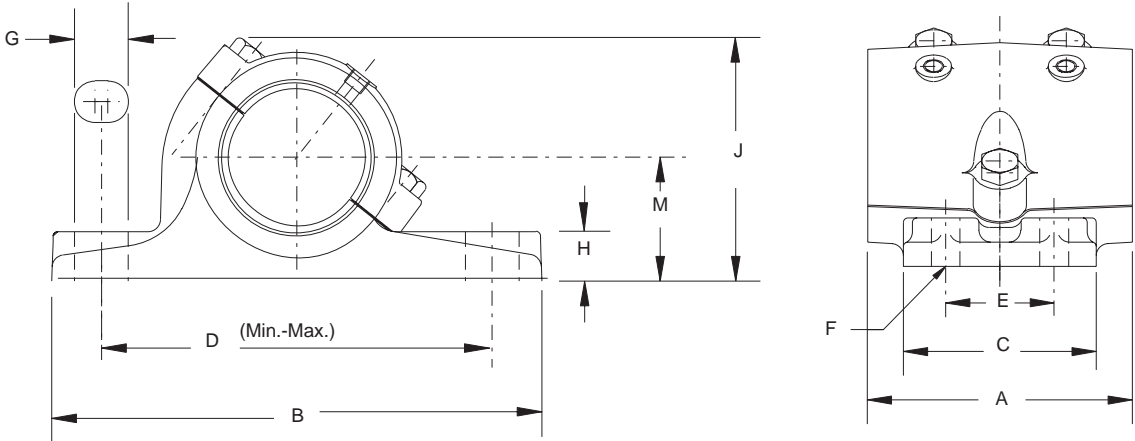
◆ No Published Metric Dimensions For This Product

| | | | |
|---------------------------------|---------------------------------|----------------------------|-------------------------|
| FEATURES/BENEFITS PAGE B13-2 | SPECIFICATION/HTO PAGE B13-4 | NOMENCLATURE PAGE B13-5 | SELECTION PAGE B13-6 |
|---------------------------------|---------------------------------|----------------------------|-------------------------|

SELECTION/DIMENSIONS



Sleeve Bearings - Babbitted 1-15/16" THRU 8" ANGLE BABBITTED PILLOW BLOCKS



| Shaft Size | Part No. | Description | Wt. | Used on Frame | A | B | C | D | |
|------------|---------------|-------------|-----|---------------|-------|---------|--------|----------|----------|
| | | | | | | | | Min. | Max. |
| 1-15/16 | 230050 | P4B-BAA-115 | 11 | HD-200 | 4 | 8-1/4 | 3-1/2 | 6-5/16 | 6-11/16 |
| 2-3/16 | 230053 | P4B-BAA-203 | 14 | HD-200 | 4-1/2 | 8-1/2 | 3-1/2 | 6-9/16 | 6-15/16 |
| 2-7/16 | 230056 | P4B-BAA-207 | 20 | HD-200 | 5 | 10-1/4 | 4 | 7-11/16 | 8-5/16 |
| 2-11/16 | 230059 | P4B-BAA-211 | 24 | HB-250 | 5-1/2 | 10-1/2 | 4-1/4 | 7-15/16 | 8-9/16 |
| 2-15/16 | 230062 | P4B-BAA-215 | 28 | HD-250 | 6 | 11 | 4-1/2 | 8-7/16 | 9-1/16 |
| 3-7/16 | 230065 | P4B-BAA-307 | 47 | HD-300 | 7 | 13 | 5 | 10-1/16 | 10-15/16 |
| 3-15/16 | 230068 | P4B-BAA-315 | 61 | HD-350 | 8 | 14-3/4 | 5-1/2 | 11-7/16 | 12-9/16 |
| 4-7/16 | 230071 | P4B-BAA-407 | 84 | HD-400 | 9 | 16-9/16 | 6-5/16 | 12-15/16 | 14-1/16 |
| 4-15/16 | 230074 | P4B-BAA-415 | 112 | HD-400 | 10 | 18 | 7 | 14-5/16 | 15-11/16 |
| 5-7/16 | 230077 | P4B-BAA-507 | 154 | HD-500 | 11 | 19-3/4 | 8 | 15-1/16 | 16-7/16 |
| 5-15/16 | 230080 | P4B-BAA-515 | 184 | HD-500 | 12 | 20-1/2 | 8-1/2 | 15-13/16 | 17-3/16 |
| 6-1/2 | 230134 | P4B-BAA-608 | 220 | ... | 13 | 22 | 9-5/8 | 17-3/16 | 18-13/16 |
| 7 | 230137 | P4B-BAA-700 | 275 | ... | 14 | 23 | 10 | 18-1/4 | 19-3/4 |
| 8 | 230140 | P4B-BAA-800 | 400 | ... | 16 | 26 | 11 | 20-11/16 | 22-5/16 |

◆ No Published Metric Dimensions For This Product

| | | | |
|---------------------------------|---------------------------------|----------------------------|-------------------------|
| FEATURES/BENEFITS PAGE B13-2 | SPECIFICATION/HTO PAGE B13-4 | NOMENCLATURE PAGE B13-5 | SELECTION PAGE B13-6 |
|---------------------------------|---------------------------------|----------------------------|-------------------------|

SELECTION/DIMENSIONS



Sleeve Bearings - Babbitted 1-15/16" THRU 8" ANGLE BABBITTED PILLOW BLOCKS

IMPERIAL - ISAF

UNIFIED SAF

International Bearings

Sleeve Bearing

SLEEVOIL

| Shaft Size | E | F Bolt | G | H | J | M | Grease Cups # | | |
|------------|-------|--------|-------|---------|---------|-------|---------------|----------|------|
| | | | | | | | Pipe Tap | No. Reqd | Size |
| 1-15/16 | 1-3/4 | 1/2 | 3/4 | 7/8 | 4-11/16 | 2-1/4 | 1/4 | 1 | 1 |
| 2-3/16 | 1-3/4 | 1/2 | 3/4 | 1 | 5-1/8 | 2-1/2 | 3/8 | 1 | 2 |
| 2-7/16 | 2 | 5/8 | 1 | 1-1/8 | 5-9/16 | 2-3/4 | 3/8 | 1 | 2 |
| 2-11/16 | 2-1/4 | 5/8 | 1 | 1-1/4 | 5-7/8 | 3 | 3/8 | 1 | 2 |
| 2-15/16 | 2-1/2 | 5/8 | 1 | 1-3/8 | 6-3/8 | 3-1/4 | 3/8 | 1 | 2 |
| 3-7/16 | 2-3/4 | 3/4 | 1-1/4 | 1-1/2 | 7-1/8 | 3-1/2 | 1/2 | 1 | 3 |
| 3-15/16 | 3 | 3/4 | 1-3/8 | 1-21/32 | 7-1/2 | 3-3/4 | 1/2 | 1 | 4 |
| 4-7/16 | 3-1/2 | 7/8 | 1-1/2 | 1-3/4 | 8-1/2 | 4-1/8 | 1/2 | 1 | 4 |
| 4-15/16 | 4 | 7/8 | 1-5/8 | 1-7/8 | 9-3/16 | 4-1/2 | 1/2 | 1 | 4 |
| 5-7/16 | 4-1/2 | 1-1/8 | 1-7/8 | 2 | 10-1/4 | 5 | 1/2 | 2 | 3 |
| 5-15/16 | 5 | 1-1/8 | 1-7/8 | 2-1/8 | 11-1/16 | 5-1/2 | 1/2 | 2 | 3 |
| 6-1/2 | 5-1/2 | 1-1/8 | 2 | 2-1/4 | 12-1/8 | 6 | 1/2 | 2 | 4 |
| 7 | 6 | 1-1/8 | 2 | 2-3/8 | 13 | 6-1/2 | 1/2 | 2 | 4 |
| 8 | 6-3/4 | 1-3/8 | 2-1/4 | 2-1/2 | 14-1/16 | 7 | 1/2 | 2 | 4 |

Grease cups or pressure fittings may be obtained thru our distributors; one required per bearing up thru 4-15/16, sizes and two required for balance of sizes.

See page B13-10 for grease fitting and reducer bushing part number.

Note: 1-15/16 - 3-7/16" sizes have 2 cap bolts.

3-7/16 - 5-15/16" have 3 cap bolts (shown in diagram).

6-1/2" and larger sizes have 4 cap bolts.

◆ No Published Metric Dimensions For This Product

| | | | |
|---------------------------------|---------------------------------|----------------------------|-------------------------|
| FEATURES/BENEFITS PAGE B13-2 | SPECIFICATION/HTO PAGE B13-4 | NOMENCLATURE PAGE B13-5 | SELECTION PAGE B13-6 |
|---------------------------------|---------------------------------|----------------------------|-------------------------|

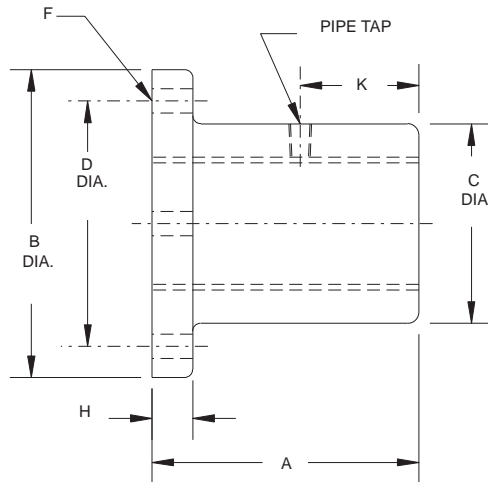


SELECTION/DIMENSIONS

DODGE[®]

Sleeve Bearings - Babbitted

1-15/16" THRU 4-15/16" PLATE TYPE BABBITTED FLANGE BEARING



| Shaft | Part No. | Description | Wt. | A | B Dia. | C Dia. | D Dia. |
|---------|---------------|-------------|-----|-------|--------|--------|--------|
| 15/16 | 037001 | F4B-BAP-015 | 2 | 2 | 4 | 2 | 3 |
| 1 | 037010 | F4B-BAP-100 | | | | | |
| 1-3/16 | 037002 | F4B-BAP-103 | 3.6 | 2-1/2 | 4-1/2 | 2-1/2 | 3-1/2 |
| 1-1/4 | 037011 | F4B-BAP-104 | | | | | |
| 1-7/16 | 037003 | F4B-BAP-107 | 5.3 | 3 | 5-1/4 | 2-3/4 | 4 |
| 1-1/2 | 037012 | F4B-BAP-108 | | | | | |
| 1-11/16 | 037004 | F4B-BAP-111 | 8.6 | 3-1/2 | 6 | 3-1/4 | 4-3/4 |
| 1-15/16 | 037005 | F4B-BAP-115 | 12 | 4 | 6-1/2 | 3-3/4 | 5-1/4 |
| 2 | 037013 | F4B-BAP-200 | | | | | |
| 2-3/16 | 037006 | F4B-BAP-203 | 17 | 4-1/2 | 7-1/2 | 4 | 5-3/4 |
| 2-7/16 | 037007 | F4B-BAP-207 | 22 | 5 | 8 | 4-1/2 | 6-1/4 |
| 2-11/16 | 037017 | F4B-BAP-211 | 32 | 5-1/2 | 9 | 5 | 7 |
| 2-15/16 | 037009 | F4B-BAP-215 | 35 | 6 | 9-1/2 | 5-1/4 | 7-1/2 |
| 3-7/16 | 037020 | F4B-BAP-307 | 53 | 7 | 10-3/8 | 6-1/4 | 8-1/2 |
| 3-15/16 | 037022 | F4B-BAP-315 | 70 | 8 | 11-1/8 | 6-7/8 | 9-1/4 |
| 4-7/16 | 037024 | F4B-BAP-407 | 103 | 9 | 12-5/8 | 7-3/4 | 10-1/2 |
| 4-15/16 | 037026 | F4B-BAP-415 | 140 | 10 | 14 | 8-1/2 | 11-1/2 |

◆ No Published Metric Dimensions For This Product

| | | | |
|---------------------------------|---------------------------------|----------------------------|-------------------------|
| FEATURES/BENEFITS PAGE B13-2 | SPECIFICATION/HTO PAGE B13-4 | NOMENCLATURE PAGE B13-5 | SELECTION PAGE B13-6 |
|---------------------------------|---------------------------------|----------------------------|-------------------------|

SELECTION/DIMENSIONS



Sleeve Bearings - Babbitted

1-15/16" THRU 4-15/16" PLATE TYPE BABBITTED FLANGE BEARING

IMPERIAL - ISAF

UNIFIED SAF

International Bearings

Sleeve Bearing

SLEEVOIL

| Shaft | F Bolt | | H | K | Grease Cups # | |
|-----------------|--------|------|-------|-------|---------------|------|
| | No. | Size | | | Pipe Tap | Size |
| 15/16 1 | 4 | 3/8 | 3/8 | 3/4 | 1/8 | 0 |
| 1-3/16 1-1/4 | 4 | 3/8 | 7/16 | 1 | 1/8 | 0 |
| 1-7/16 1-1/2 | 4 | 1/2 | 1/2 | 1-1/4 | 1/4 | 0 |
| 1-11/16 | 4 | 1/2 | 5/8 | 1-1/2 | 1/4 | 0 |
| 1-15/16 2 | 4 | 1/2 | 11/16 | 1-5/8 | 1/4 | 1 |
| 2-3/16 | 4 | 5/8 | 3/4 | 1-7/8 | 3/8 | 2 |
| 2-7/16 | 4 | 5/8 | 7/8 | 2-1/8 | 3/8 | 2 |
| 2-11/16 | 4 | 3/4 | 1 | 1-3/4 | 3/8 | 2 |
| 2-15/16 | 4 | 3/4 | 1 | 2-1/4 | 3/8 | 2 |
| 3-7/16 | 6 | 3/4 | 1 | 2-3/4 | 1/2 | 3 |
| 3-15/16 | 6 | 3/4 | 1-1/8 | 3-1/4 | 1/2 | 4 |
| 4-7/16 | 6 | 7/8 | 1-1/4 | 3-3/4 | 1/2 | 4 |
| 4-15/16 | 6 | 1 | 1-3/8 | 4-1/4 | 1/2 | 4 |

Grease cups or pressure fittings may be obtained thru our distributors; one required per bearing.

See page B13-10 for grease fitting and reducer bushing part number.

◆ No Published Metric Dimensions For This Product

| | | | |
|---------------------------------|---------------------------------|----------------------------|-------------------------|
| FEATURES/BENEFITS PAGE B13-2 | SPECIFICATION/HTO PAGE B13-4 | NOMENCLATURE PAGE B13-5 | SELECTION PAGE B13-6 |
|---------------------------------|---------------------------------|----------------------------|-------------------------|

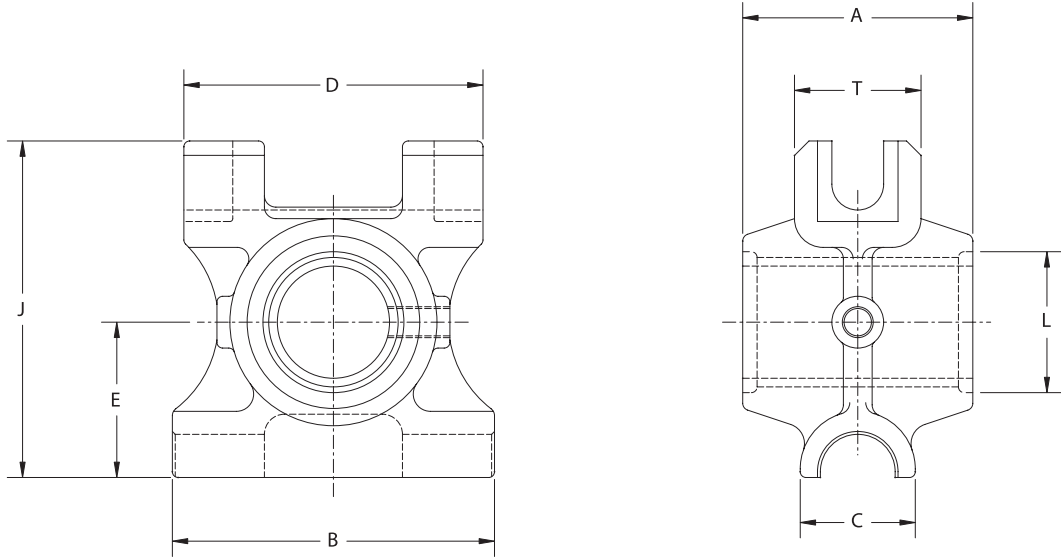
SELECTION/DIMENSIONS

DODGE®



Sleeve Bearings - Babbitted

TYPE H BABBITTED TAKE-UP BEARINGS



| Shaft Size | Part No. | Description | Frame Size |
|------------|---------------|-------------|------------|
| 1-15/16 | 012215 | TP-H-115 | TP10 |
| 2-3/16 | 012216 | TP-H-203 | TP10 |
| 2-7/16 | 012217 | TP-H-207 | TP30 |
| 2-15/16 | 021218 | TP-H-215 | TP30 |
| 3-7/16 | 021219 | TP-H-307 | TP50 |
| 3-15/16 | 021220 | TP-H-315 | TP50 |

FEATURES/BENEFITS
PAGE B13-2

SPECIFICATION/HTO
PAGE B13-4

NOMENCLATURE
PAGE B13-5

SELECTION
PAGE B13-6

SELECTION/DIMENSIONS



Sleeve Bearings - Babbitted TYPE H BABBITTED TAKE-UP BEARINGS

IMPERIAL - ISAF

UNIFIED SAF

International Bearings

Sleeve Bearing

SLEEVOIL

| Shaft Size | Weight lbs. | Frame Size | A | B | C | D | E | J | L | T | Pipe Tap | Cup Size |
|------------|-------------|------------|-------|---|-------|-------|-------|--------|---------|-------|----------|----------|
| 1-15/16 | 12.5 | TP10 | 4 | 6 | 2-3/8 | 5-1/2 | 3 | 6-1/8 | 2-7/16 | 2-3/8 | 1/4 | 0 |
| 2-3/16 | 12.6 | TP10 | 4-1/2 | 6 | 2-3/8 | 5-1/2 | 3 | 6-1/8 | 2-3/4 | 2-3/8 | 3/8 | 2 |
| 2-7/16 | 22.4 | TP30 | 5 | 7 | 2-1/2 | 6-1/2 | 3-3/8 | 7-5/16 | 3-1/16 | 2-3/4 | 3/8 | 2 |
| 2-15/16 | 23.6 | TP30 | 6 | 7 | 2-1/2 | 6-1/2 | 3-3/8 | 7-5/16 | 3-9/16 | 2-3/4 | 3/8 | 2 |
| 3-7/16 | 46.0 | TP50 | 7 | 9 | 3-1/8 | 8-1/2 | 4-1/2 | 9-5/8 | 4-3/16 | 3-1/8 | 3/8 | 2 |
| 3-15/16 | 47.2 | TP50 | 8 | 9 | 3-1/8 | 8-1/2 | 4-1/2 | 9-5/8 | 4-11/16 | 3-1/8 | 3/8 | 2 |

| | | | |
|---------------------------------|---------------------------------|----------------------------|-------------------------|
| FEATURES/BENEFITS PAGE B13-2 | SPECIFICATION/HTO PAGE B13-4 | NOMENCLATURE PAGE B13-5 | SELECTION PAGE B13-6 |
|---------------------------------|---------------------------------|----------------------------|-------------------------|

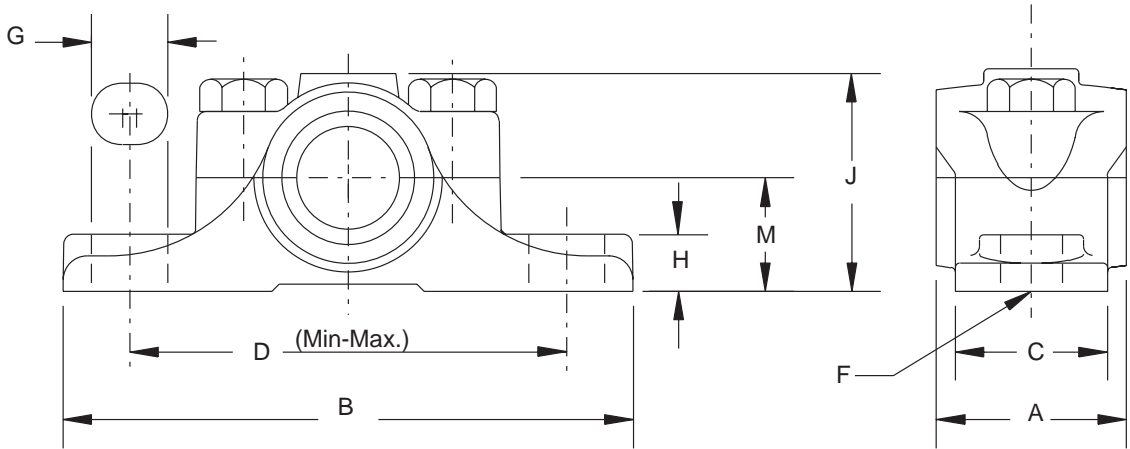


SELECTION/DIMENSIONS

DODGE®

Sleeve Bearings - Bronze-Bushed

1-15/16" THRU 2-15/16" SPLIT BRONZE JOURNAL BEARING



| Shaft Size | Part No. | Description | Wt. | A | B | C | D | |
|------------|---------------|--------------|-----|-------|--------|-------|---------|--------|
| | | | | | | | Min. | Max. |
| 1-15/16 | 005070 | P2B-BZSP-115 | 9 | 3-7/8 | 7-1/2 | 2-1/2 | 5-15/16 | 6-1/16 |
| 2-3/16 | 005073 | P2B-BZSP-203 | 12 | 4-3/8 | 8-1/2 | 2-3/4 | 6-1/4 | 6-3/4 |
| 2-7/16 | 005076 | P2B-BZSP-207 | 15 | 4-7/8 | 9-1/4 | 3 | 6-7/8 | 7-3/8 |
| 2-11/16 | 005079 | P2B-BZSP-211 | 20 | 5-3/8 | 10 | 3-1/4 | 7-1/2 | 8 |
| 2-15/16 | 005082 | P2B-BZSP-215 | 24 | 6 | 10-3/4 | 3-1/2 | 8-1/4 | 8-3/4 |

| Shaft Size | F Bolt | G | H | J | M | Grease Cups # | | |
|------------|--------|-------|--------|--------|-------|---------------|-----------|------|
| | | | | | | Pipe Tap | No. Req'd | Size |
| 1-15/16 | 5/8 | 13/16 | 15/16 | 3-1/2 | 1-3/4 | 1/4 | 1 | 0 |
| 2-3/16 | 5/8 | 1 | 1 | 3-7/8 | 1-7/8 | 3/8 | 1 | 2 |
| 2-7/16 | 5/8 | 1 | 1-1/8 | 4-1/4 | 2-1/8 | 3/8 | 1 | 2 |
| 2-11/16 | 3/4 | 1-1/8 | 1-3/16 | 4-9/16 | 2-1/4 | 3/8 | 1 | 2 |
| 2-15/16 | 3/4 | 1-1/8 | 1-5/16 | 5 | 2-1/2 | 3/8 | 1 | 2 |

Grease cups or pressure fittings may be obtained thru our distributors; one required per bearing.

See page B13-10 for grease fitting and reducer bushing part number.

Note: All sizes have 2 bolt base and 2 cap bolts.

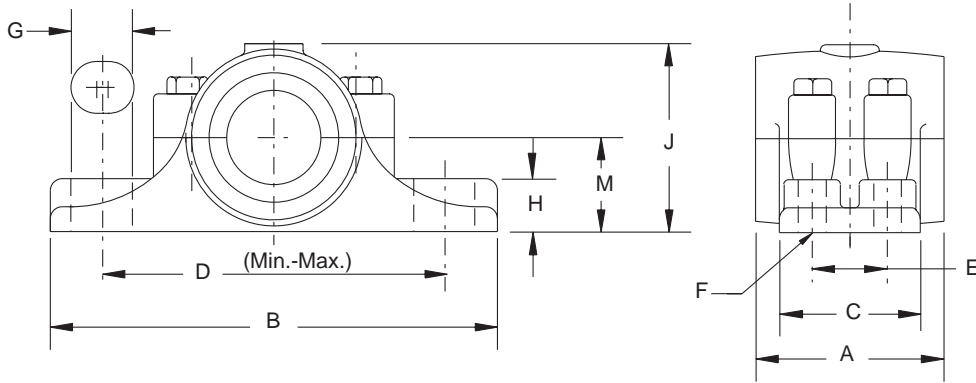
◆ No Published Metric Dimensions For This Product

| | | | |
|---------------------------------|---------------------------------|----------------------------|-------------------------|
| FEATURES/BENEFITS PAGE B13-2 | SPECIFICATION/HTO PAGE B13-4 | NOMENCLATURE PAGE B13-5 | SELECTION PAGE B13-6 |
|---------------------------------|---------------------------------|----------------------------|-------------------------|

SELECTION/DIMENSIONS



Sleeve Bearings - Bronze-Bushed 15/16" THRU 215/16" SPLIT BRONZE JOURNAL BEARING



| Shaft Size | Part No. | Description | Wt. | A | B | C | D | |
|------------|----------|-------------|-----|----|--------|--------|--------|--------|
| | | | | | | | Min. | Max. |
| 3-7/16 | 005085 | P4B-BZR-307 | 47 | 7 | 13 | 5 | 10-1/8 | 10-7/8 |
| 3-15/16 | 005088 | P4B-BZR-315 | 64 | 8 | 14-3/4 | 5-1/2 | 11-1/2 | 12-1/2 |
| 4-7/16 | 005091 | P4B-BZR-407 | 89 | 9 | 16-1/2 | 6-1/4 | 13 | 14 |
| 4-15/16 | 005094 | P4B-BZR-415 | 115 | 10 | 18 | 7 | 14-3/8 | 15-5/8 |
| 5-7/16 | 005097 | P4B-BZR-507 | 137 | 11 | 19-1/4 | 7-3/4 | 15-1/8 | 16-3/8 |
| 5-15/16 | 005100 | P4B-BZR-515 | 180 | 12 | 20-1/2 | 8-1/2 | 15-7/8 | 17-1/8 |
| 6-1/2 | 005195 | P4B-BZR-608 | 255 | 13 | 22 | 9-1/2 | 17-3/8 | 18-5/8 |
| 7 | 005198 | P4B-BZR-700 | 310 | 14 | 23 | 10 | 18-3/8 | 19-5/8 |
| 7-1/2 | 005199 | P4B-BZR-708 | 370 | 15 | 24-1/2 | 10-1/2 | 19-3/8 | 20-5/8 |
| 8 | 005201 | P4B-BZR-800 | 430 | 16 | 26 | 11 | 20-3/4 | 22-1/4 |

| Shaft Size | E | F Bolt | G | H | J | M | Grease Cups # | | |
|------------|-------|--------|-------|-------|----------|-------|---------------|-----------|------|
| | | | | | | | Pipe Tap | No. Req'd | Size |
| 3-7/16 | 2-3/4 | 3/4 | 1-1/4 | 1-1/2 | 6-1/32 | 3-1/4 | 1/2 | 1 | 3 |
| 3-15/16 | 3 | 3/4 | 1-3/8 | 1-5/8 | 6-1/2 | 3-1/2 | 1/2 | 1 | 4 |
| 4-7/16 | 3-1/2 | 7/8 | 1-1/2 | 1-3/4 | 7-15/32 | 4-1/8 | 1/2 | 1 | 4 |
| 4-15/16 | 4 | 7/8 | 1-5/8 | 1-7/8 | 8-1/32 | 4-1/2 | 1/2 | 1 | 4 |
| 5-7/16 | 4-1/2 | 1 | 1-3/4 | 2 | 8-15/16 | 5 | 1/2 | 2 | 3 |
| 5-15/16 | 5 | 1-1/8 | 1-7/8 | 2-1/8 | 9-13/16 | 5-1/2 | 1/2 | 2 | 3 |
| 6-1/2 | 5-1/2 | 1-1/8 | 1-7/8 | 2-1/4 | 10-11/16 | 6 | 1/2 | 2 | 4 |
| 7 | 6 | 1-1/4 | 2 | 2-3/8 | 11-7/16 | 6-1/2 | 1/2 | 2 | 4 |
| 7-1/2 | 6-1/4 | 1-3/8 | 2-1/8 | 2-1/2 | 12-1/8 | 6-3/4 | 1/2 | 2 | 4 |
| 8 | 6-3/4 | 1-3/8 | 2-1/4 | 2-1/2 | 12-11/16 | 7 | 1/2 | 2 | 4 |

Grease cups or pressure fittings may be obtained thru our distributors; one required per pillow block u thru 4-15/16" sizes and two required for balance of sizes.

See page B13-10 for grease fitting and reducer bushing part number.

Note: All sizes have 4 base bolts. - 3-7/16" and larger sizes have 4 cap bolts.

◆ No Published Metric Dimensions For This Product

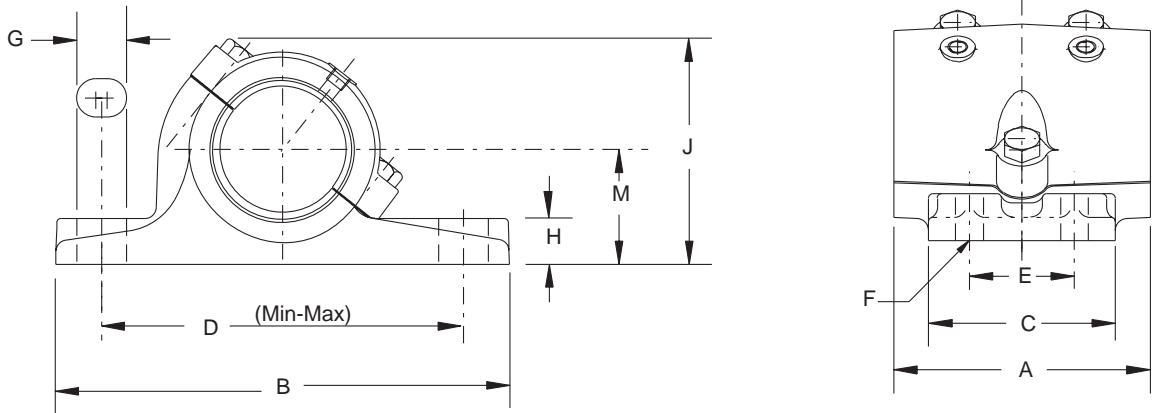
| | | | |
|---------------------------------|---------------------------------|----------------------------|-------------------------|
| FEATURES/BENEFITS PAGE B13-2 | SPECIFICATION/HTO PAGE B13-4 | NOMENCLATURE PAGE B13-5 | SELECTION PAGE B13-6 |
|---------------------------------|---------------------------------|----------------------------|-------------------------|



SELECTION/DIMENSIONS

DODGE

Sleeve Bearings - Bronze-Bushed 1-15/16" THRU 8" ANGLE BRONZE-BUSHED PILLOW BLOCKS



| Shaft | Part No. | Description | Wt. | Used on Frame | A | B | C | D | |
|---------|---------------|-------------|-----|---------------|-------|---------|--------|----------|----------|
| | | | | | | | | Min. | Max. |
| 1-15/16 | 231063 | P4B-BZA-115 | 10 | HD-200 | 4 | 8-1/4 | 3-1/2 | 6-5/16 | 6-11/16 |
| 2-3/16 | 231069 | P4B-BZA-203 | 14 | HD-200 | 4-1/2 | 8-1/2 | 3-1/2 | 6-9/16 | 6-15/16 |
| 2-7/16 | 231075 | P4B-BZA-207 | 20 | HD-200 | 5 | 10-1/4 | 4 | 7-11/16 | 8-5/16 |
| 2-11/16 | 231081 | P4B-BZA-211 | 22 | HD-250 | 5-1/2 | 10-1/2 | 4-1/4 | 7-15/16 | 8-9/16 |
| 2-15/16 | 231087 | P4B-BZA-215 | 28 | HD-250 | 6 | 11 | 4-1/2 | 8-7/16 | 9-1/16 |
| 3-7/16 | 231096 | P4B-BZA-307 | 46 | HD-300 | 7 | 13 | 5 | 10-1/16 | 10-15/16 |
| 3-15/16 | 231102 | P4B-BZA-315 | 62 | HD-350 | 8 | 14-3/4 | 5-1/2 | 11-7/16 | 12-9/16 |
| 4-7/16 | 231108 | P4B-BZA-407 | 85 | HD-400 | 9 | 16-9/16 | 6-5/16 | 12-15/16 | 14-1/16 |
| 4-15/16 | 231114 | P4B-BZA-415 | 109 | HD-400 | 10 | 18 | 7 | 14-5/16 | 15-11/16 |
| 5-7/16 | 231120 | P4B-BZA-507 | 142 | HD-500 | 11 | 19-3/4 | 8 | 15-1/16 | 16-7/16 |
| 5-15/16 | 231126 | P4B-BZA-515 | 180 | HD-500 | 12 | 20-1/2 | 8-1/2 | 15-13/16 | 17-3/16 |
| 6-1/2 | 231135 | P4B-BZA-608 | 220 | ... | 13 | 22 | 9-5/8 | 17-3/16 | 18-13/16 |
| 7 | 231141 | P4B-BZA-700 | 275 | ... | 14 | 23 | 10 | 18-1/4 | 19-3/4 |
| 8 | 231150 | P4B-BZA-800 | 400 | ... | 16 | 26 | 11 | 20-11/16 | 22-5/16 |

◆ No Published Metric Dimensions For This Product

| | | | |
|---------------------------------|---------------------------------|----------------------------|-------------------------|
| FEATURES/BENEFITS PAGE B13-2 | SPECIFICATION/HTO PAGE B13-4 | NOMENCLATURE PAGE B13-5 | SELECTION PAGE B13-6 |
|---------------------------------|---------------------------------|----------------------------|-------------------------|

SELECTION/DIMENSIONS



Sleeve Bearings - Bronze-Bushed 1-15/16" THRU 8" ANGLE BRONZE-BUSHED PILLOW BLOCKS

IMPERIAL - ISAF

UNIFIED SAF

International Bearings

Sleeve Bearing

SLEEVOIL

| Shaft | E | F Bolt | G | H | J | M | Cap Bolts Quantity | Grease Cups # | | |
|---------|-------|--------|-------|--------|---------|-------|--------------------|---------------|------|------|
| | | | | | | | | Pipe Tap | Qty. | Size |
| 1-15/16 | 1-3/4 | 1/2 | 3/4 | 7/8 | 4-11/16 | 2-1/4 | 2 | 1/4 | 1 | 1 |
| 2-3/16 | 1-3/4 | 1/2 | 3/4 | 1 | 5-1/8 | 2-1/2 | 2 | 3/8 | 1 | 2 |
| 2-7/16 | 2 | 5/8 | 1 | 1-1/8 | 5-9/16 | 2-3/4 | 2 | 3/8 | 1 | 2 |
| 2-11/16 | 2-1/4 | 5/8 | 1 | 1-1/4 | 5-7/8 | 3 | 2 | 3/8 | 1 | 2 |
| 2-15/16 | 2-1/2 | 5/8 | 1 | 1-3/8 | 6-3/8 | 3-1/4 | 2 | 3/8 | 1 | 2 |
| 3-7/16 | 2-3/4 | 3/4 | 1-1/4 | 1-1/2 | 7-1/8 | 3-1/2 | 2 | 1/2 | 1 | 3 |
| 3-15/16 | 3 | 3/4 | 1-3/8 | 1-5/8 | 7-1/2 | 3-3/4 | 3 | 1/2 | 1 | 4 |
| 4-7/16 | 3-1/2 | 7/8 | 1-1/2 | 1-3/4 | 8-1/2 | 4-1/8 | 3 | 1/2 | 1 | 4 |
| 4-15/16 | 4 | 7/8 | 1-5/8 | 1-7/8 | 9-3/16 | 4-1/2 | 3 | 1/2 | 1 | 4 |
| 5-7/16 | 4-1/2 | 1 | 1-7/8 | 2 | 10-1/4 | 5 | 3 | 1/2 | 2 | 3 |
| 5-15/16 | 5 | 1-1/8 | 1-7/8 | 2-3/16 | 11-1/16 | 5-1/2 | 3 | 1/2 | 2 | 3 |
| 6-1/2 | 5-1/2 | 1-1/8 | 2 | 2-1/4 | 12-1/8 | 6 | 4 | 1/2 | 2 | 4 |
| 7 | 6 | 1-1/4 | 2 | 2-3/8 | 13 | 6-1/2 | 4 | 1/2 | 2 | 4 |
| 8 | 6-3/4 | 1-3/8 | 2-1/4 | 2-1/2 | 14-1/16 | 7 | 4 | 1/2 | 2 | 4 |

Grease cups or pressure fittings may be obtained thru our distributors; one required per pillows block up thru 4-15/16" sizes and two required for balance of sizes.

See page B13-10 for grease fitting and reducer bushing part number.

- Note:** 1-15/16 - 3-7/16" sizes have 2 cap bolts
 3-15/16 - 5-15/16" sizes have 3 cap bolt (shown in diagram)
 6-1/2" and larger have 4 cap bolts

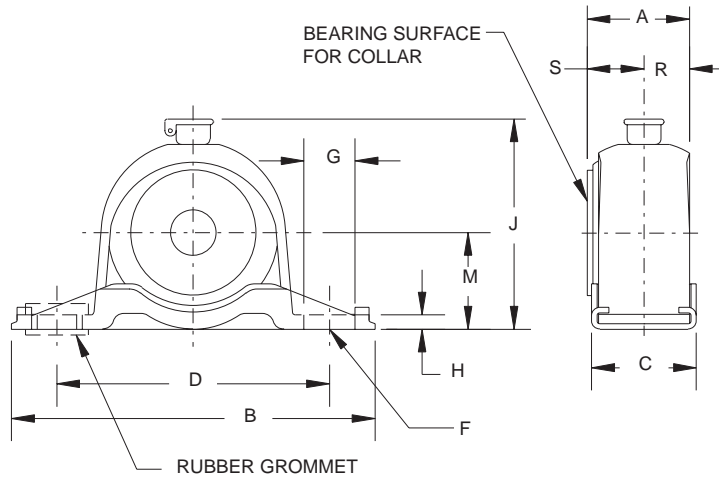
| | | | |
|---------------------------------|---------------------------------|----------------------------|-------------------------|
| FEATURES/BENEFITS PAGE B13-2 | SPECIFICATION/HTO PAGE B13-4 | NOMENCLATURE PAGE B13-5 | SELECTION PAGE B13-6 |
|---------------------------------|---------------------------------|----------------------------|-------------------------|



SELECTION/DIMENSIONS



Sleeve Bearings - BRONZOIL 1/2" THRU 1-1/4" BRONZOIL PILLOW BLOCKS



| Shaft Size | Part No. | Description | Wt. | A | B | C | D |
|------------|---------------|-------------|-----|-------|-------|--------|-------|
| 1/2 | 035025 | P2B-BO-008 | | | | | |
| 5/8 | 035026 | P2B-BO-010 | 0.6 | 1-1/8 | 4 | 1-3/16 | 3 |
| 3/4 | 035027 | P2B-BO-012 | | | | | |
| 7/8 | 035028 | P2B-BO-014 | | | | | |
| 15/16 | 035029 | P2B-BO-015 | 0.5 | 1-1/8 | 4 | 1-3/16 | 3 |
| 1 | 035030 | P2B-BO-100 | | | | | |
| 1-3/16 | 035107 | P2B-BO-103 | 1.3 | 1-3/4 | 4-1/2 | 1-1/4 | 3-1/2 |
| 1-1/4 | 035108 | P2B-BO-104 | 1.2 | 1-3/4 | 4-1/2 | 1-1/4 | 3-1/2 |

| Shaft Size | F Bolt | G | H | J | M | R | S |
|------------|--------|------|------|---------|--------|-------|-------|
| 1/2 | | | | | | | |
| 5/8 | 3/8 | 9/16 | 5/32 | 2-5/16 | 1-1/16 | 1/2 | 5/8 |
| 3/4 | | | | | | | |
| 7/8 | | | | | | | |
| 15/16 | 3/8 | 9/16 | 5/32 | 2-5/16 | 1-1/16 | 1/2 | 5/8 |
| 1 | | | | | | | |
| 1-3/16 | 3/8 | 9/16 | 5/32 | 2-13/16 | 1-5/16 | 7/8 | 7/8 |
| 1-1/4 | 3/8 | 9/16 | 5/32 | 2-13/16 | 1-5/16 | 27/32 | 29/32 |

Grommets are optional and furnished on order only. Order (2) grommet long nipples (part number 035082) for each pillow block

When grommets are used, the J and M dimensions increase by 1/16" and the H dimension by 1/8". A 5/16" bolt and a washer must be used with each grommet. Washer part number 035084.

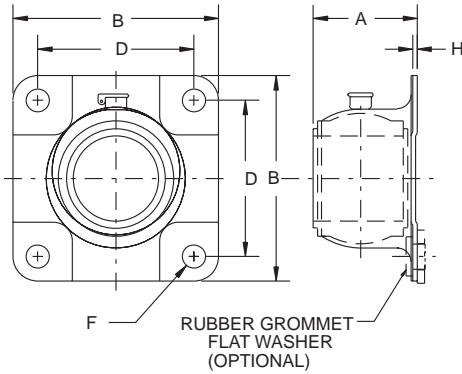
◆ No Published Metric Dimensions For This Product

| | | | |
|---------------------------------|---------------------------------|----------------------------|-------------------------|
| FEATURES/BENEFITS PAGE B13-2 | SPECIFICATION/HTO PAGE B13-4 | NOMENCLATURE PAGE B13-5 | SELECTION PAGE B13-6 |
|---------------------------------|---------------------------------|----------------------------|-------------------------|

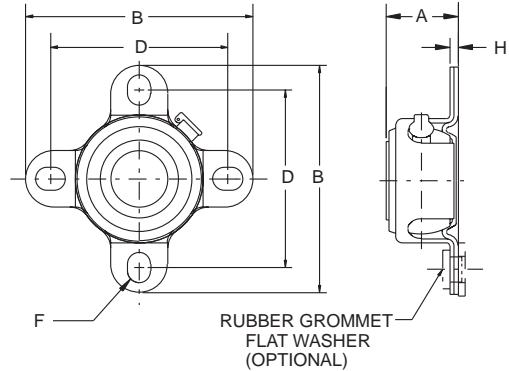
SELECTION/DIMENSIONS



Sleeve Bearings - BRONZOIL 1/2" THRU 1-1/4" BRONZOIL 4-BOLT FLANGE BEARING



STYLE A



STYLE B

| Shaft Size | Part No. | Description | Wt. | A | B |
|------------|---------------|-------------|------|---------|-------|
| 1/2 | 035031 | F4B-BO-008 | 0.60 | 1-1/4 | 4 |
| 5/8 | 035032 | F4B-BO-010 | | | |
| 3/4 | 035033 | F4B-BO-012 | | | |
| 7/8 | 035034 | F4B-BO-014 | 0.50 | 1-1/4 | 4 |
| 15/16 | 035035 | F4B-BO-013 | | | |
| 1 | 035036 | F4B-BO-100 | | | |
| 1-3/16 | 035116 | F4B-BO-103 | 1.30 | 1-7/8 | 3-5/8 |
| 1-1/4 | 035117 | F4B-BO-104 | 1.20 | 1-29/32 | 3-5/8 |

| Shaft Size | D | F Bolt | H | STYLE |
|------------|-------|--------|------|-------|
| 1/2 | 3-1/8 | 3/8 | 5/32 | B |
| 5/8 | | | | |
| 3/4 | | | | |
| 7/8 | 3-1/8 | 3/8 | 5/32 | B |
| 15/16 | | | | |
| 1 | | | | |
| 1-3/16 | 2-3/4 | 3/8 | 1/16 | A |
| 1-1/4 | 2-3/4 | 3/8 | 1/16 | A |

Grommets are optional and furnished on order only. Order (4) grommet short nipples (part number **035083**) for each flange bearing.

When grommets are used, the A dimension increases by 1/16" and the H dimension by 1/8". A 5/16" bolt and a washer must be used with each grommet. Washer part number 035084.

◆ No Published Metric Dimensions For This Product

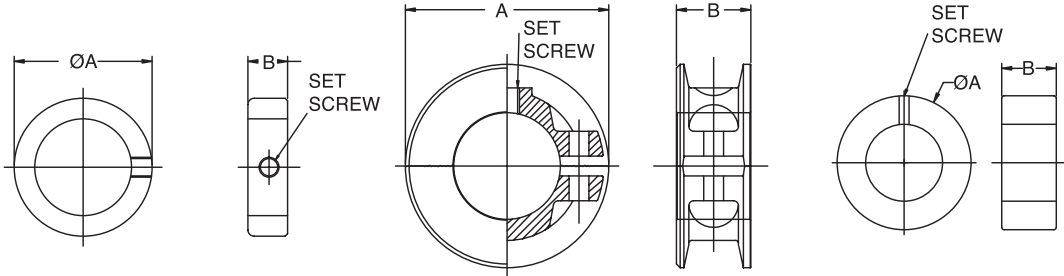
| | | | |
|---------------------------------|---------------------------------|----------------------------|-------------------------|
| FEATURES/BENEFITS PAGE B13-2 | SPECIFICATION/HTO PAGE B13-4 | NOMENCLATURE PAGE B13-5 | SELECTION PAGE B13-6 |
|---------------------------------|---------------------------------|----------------------------|-------------------------|



SELECTION/DIMENSIONS



Shaft Collars



| Shaft Size | Part Number * | | Dimensions | | | |
|------------|---------------|---------------|------------|-----------|-------|------|
| | Steel | Stainless | O.D. (A) | Width (B) | Screw | Wt. |
| 1/8 | ---- | 456225 | 0.36 | 0.25 | #6 | 0.01 |
| 3/16 | 040001 | 456226 | 0.44 | 0.25 | #8 | 0.01 |
| 1/4 | 040002 | 456227 | 0.50 | 0.28 | #10 | 0.01 |
| 5/16 | 040003 | 456228 | 0.63 | 0.34 | #10 | 0.01 |
| 3/8 | 040004 | 456229 | 0.75 | 0.38 | 1/4 | 0.01 |
| 7/16 | 040005 | ---- | 0.88 | 0.44 | 1/4 | 0.05 |
| 1/2 | 040006 | 456230 | 1.00 | 0.44 | 1/4 | 0.1 |
| 9/16 | 040007 | ---- | 1.00 | 0.44 | 1/4 | 0.1 |
| 5/8 | 040008 | 456231 | 1.13 | 0.50 | 5/16 | 0.1 |
| 11/16 | 040009 | ---- | 1.25 | 0.56 | 5/16 | 0.1 |
| 3/4 | 040010 | 456232 | 1.25 | 0.56 | 5/16 | 0.1 |
| 13/16 | 040011 | ---- | 1.31 | 0.56 | 5/16 | 0.1 |
| 7/8 | 040012 | 456234 | 1.50 | 0.56 | 5/16 | 0.2 |
| 15/16 | 040013 | ---- | 1.63 | 0.56 | 5/16 | 0.2 |
| 1 | 040014 | 456234 | 1.63 | 0.63 | 5/16 | 0.2 |
| 1-1/16 | 040015 | ---- | 1.75 | 0.63 | 5/16 | 0.2 |
| 1-1/8 | 040016 | 456235 | 1.75 | 0.63 | 5/16 | 0.2 |
| 1-3/16 | 040017 | ---- | 2.00 | 0.69 | 3/8 | 0.4 |
| 1-1/4 | 040018 | 456236 | 2.00 | 0.69 | 3/8 | 0.4 |
| 1-5/16 | 040019 | ---- | 2.13 | 0.69 | 3/8 | 0.4 |
| 1-3/8 | 040020 | ---- | 2.13 | 0.75 | 3/8 | 0.4 |
| 1-7/16 | 040021 | ---- | 2.25 | 0.75 | 3/8 | 0.5 |
| 1-1/2 | 040022 | 456237 | 2.25 | 0.75 | 3/8 | 0.5 |
| 1-9/16 | 040023 | ---- | 2.50 | 0.81 | 3/8 | 0.7 |
| 1-5/8 | 040024 | ---- | 2.50 | 0.81 | 3/8 | 0.6 |
| 1-11/16 | 040025 | ---- | 2.50 | 0.81 | 3/8 | 0.6 |
| 1-3/4 | 040026 | 456238 | 2.75 | 0.88 | 1/2 | 0.8 |
| 1-7/8 | 040027 | ---- | 2.75 | 0.88 | 1/2 | 0.8 |
| 1-15/16 | 040028 | ---- | 3.00 | 0.88 | 1/2 | 1.0 |
| 2 | 040029 | 456239 | 3.00 | 0.88 | 1/2 | 1.0 |
| 2-3/16 | 040030 | ---- | 3.25 | 0.94 | 1/2 | 1.2 |
| 2-1/4 | 040031 | ---- | 3.25 | 0.94 | 1/2 | 1.2 |
| 2-7/16 | 040032 | ---- | 3.50 | 1.00 | 1/2 | 1.4 |
| 2-1/2 | 040033 | ---- | 3.50 | 1.00 | 1/2 | 1.3 |
| 2-15/16 | 040034 | ---- | 4.25 | 1.13 | 1/2 | 2.2 |

| Shaft Size | Part Number | Dimensions | | |
|------------|---------------|------------|-----------|------|
| | | O.D. (A) | Width (B) | Wt. |
| 1-15/16 | 010020 | 3.38 | 1.38 | 2.5 |
| 2 | 010021 | 3.38 | 1.38 | 2.5 |
| 2-3/16 | 010024 | 3.75 | 1.38 | 3.0 |
| 2-7/16 | 010028 | 4.25 | 1.50 | 4.3 |
| 2-1/2 | 010029 | 4.25 | 1.50 | 4.3 |
| 2-11/16 | 010032 | 4.75 | 1.50 | 5.0 |
| 2-15/16 | 010036 | 5.00 | 1.63 | 5.6 |
| 3-3/16 | 010039 | 5.50 | 1.63 | 7.0 |
| 3-7/16 | 010043 | 5.75 | 1.75 | 7.6 |
| 3-15/16 | 010048 | 6.50 | 1.88 | 10.0 |
| 4-7/16 | 010051 | 7.25 | 2.00 | 12.0 |
| 4-15/16 | 010054 | 8.00 | 2.13 | 16.3 |
| 5-7/16 | 010055 | 8.75 | 2.13 | 18.5 |
| 5-15/16 | 010056 | 9.25 | 2.25 | 23.0 |
| 6 | 010057 | 9.25 | 2.25 | 23.0 |
| 6-1/2 | 010058 | 10.00 | 2.25 | 25.0 |
| 7 | 010059 | 10.50 | 3.38 | 32.0 |
| 7-1/2 | 010060 | 11.38 | 2.50 | 35.0 |
| 8 | 010061 | 12.13 | 2.88 | 45.0 |

NOTE: Solid and Split iron collars have one set screw thru 3-1/4" bore size. 3-3/16" and larger bores have two setscrews.

| Shaft Size | Part Number | Dimensions | | |
|------------|---------------|------------|-----------|------|
| | | O.D. (A) | Width (B) | Wt. |
| 1-1/8 | 010075 | 3.13 | 1.25 | 1.3 |
| 1-3/16 | 010076 | 3.13 | 1.25 | 1.3 |
| 1-1/4 | 010077 | 3.13 | 1.25 | 1.3 |
| 1-5/16 | 010078 | 3.38 | 1.44 | 1.8 |
| 1-7/16 | 010080 | 3.38 | 1.44 | 1.8 |
| 1-1/2 | 010081 | 3.38 | 1.44 | 1.8 |
| 1-11/16 | 010084 | 3.75 | 1.56 | 2.4 |
| 1-3/4 | 010085 | 3.75 | 1.56 | 2.4 |
| 1-15/16 | 010088 | 4.06 | 1.75 | 2.6 |
| 2 | 010089 | 4.06 | 1.75 | 2.6 |
| 2-3/16 | 010092 | 4.50 | 1.88 | 3.4 |
| 2-1/4 | 010093 | 4.50 | 1.88 | 3.4 |
| 2-7/16 | 010096 | 4.44 | 1.88 | 3.8 |
| 2-1/2 | 010097 | 4.88 | 2.00 | 4.3 |
| 2-11/16 | 010100 | 5.31 | 2.06 | 5.4 |
| 2-15/16 | 010104 | 5.50 | 1.88 | 4.6 |
| 3 | 010105 | 5.50 | 1.88 | 4.4 |
| 3-3/16 | 010107 | 6.06 | 2.38 | 8.0 |
| 3-7/16 | 010110 | 6.06 | 2.38 | 6.0 |
| 3-11/16 | 010112 | 6.81 | 2.63 | 10.6 |
| 3-15/16 | 010114 | 7.00 | 2.75 | 9.0 |
| 4-7/16 | 010117 | 8.13 | 3.31 | 17.0 |
| 4-15/16 | 010120 | 8.50 | 3.25 | 20.8 |
| 5-7/16 | 010123 | 9.00 | 3.25 | 23.0 |
| 5-15/16 | 010126 | 9.50 | 3.25 | 23.7 |
| 6 | 010127 | 10.13 | 4.06 | 35.0 |
| 6-1/2 | 010128 | 11.00 | 4.25 | 41.0 |
| 7 | 010129 | 12.00 | 4.50 | 46.0 |
| 7-1/2 | 010130 | 12.94 | 4.69 | 56.0 |
| 8 | 010131 | 13.50 | 4.88 | 71.0 |

NOTE: Steel is mild carbon steel.
Stainless is 300-series stainless.
All sizes are fitted with one setscrew.

| | | | |
|---------------------------------|---------------------------------|----------------------------|-------------------------|
| FEATURES/BENEFITS PAGE B13-2 | SPECIFICATION/HTO PAGE B13-4 | NOMENCLATURE PAGE B13-5 | SELECTION PAGE B13-6 |
|---------------------------------|---------------------------------|----------------------------|-------------------------|

CONTENTS



SLEEVOIL®

Features / Benefits

R Series Pillow Block B14-3

RTL Series Pillow Block B14-4

P Series Pillow Block B14-5

Specification/How To Order B14-6

Nomenclature B14-7

Selection

Computer B14-9

Manual B14-11

Selection/Dimensions

R Series Pillow Block B14-16

RTL Series Pillow Block B14-24

P Series Pillow Block B14-26

Modifications/Accessories

End Cap Kits B14-30

Auxiliary Seal Kits B14-32

T Section Oil Ring B14-33

Smooth Bore Oil Ring B14-34

Vibration Detector Adapter Kit B14-35

Circulating Oil System B14-36

Oil Level And Filtration System B14-38

Part Number Index INDEX-1

Key Word Index INDEX-34

IMPERIAL - ISAF

UNIFIED SAF

International Bearings

Sleeve Bearing

SLEEVOIL

NOTES



IMPERIAL - ISAF

UNIFIED SAF

International Bearings

Sleeve Bearing

SLEEVOIL

FEATURES/BENEFITS



SLEEVOIL

GENERAL OPERATING CHARACTERISTICS

Though originally designed for the exacting requirements of the air handling industry, R Series SLEEVOIL pillow blocks are suitable for a wide range of industrial applications where a precision built, split, babbitted, ring-oiled bearing is required which is self aligning and quiet in operation.

SLEEVOIL pillow blocks have good cooling capabilities. Water cooled (WC) and externally cooled (XC) types operate at higher speeds and load ranges than plain units and function well near high temperature sources.

WHERE SLEEVOIL BEARINGS ARE CURRENTLY USED

- Fans & Blowers
- Motors
- Generators
- Dynamometers
- Test Stands
- Compressors
- Pumps
- Turbines

SLEEVOIL R Series Pillow Block

- 1-7/16" size is stocked as a Plain pillow block
- 1-11/16" - 3-7/16" sizes are stocked as Plain/Water cooled (PLWC) pillow block
- 3-15/16" - 8" sizes are stocked as Plain/Externally Cooled (PLXC) pillow blocks (standard and short series)
- PLXC Liner Only

FEATURES AND BENEFITS SLEEVOIL

- Fully split housing for trouble-free assembly and disassembly
- Rugged construction using gray iron housing and liner for durability
- Babbitt lining offers conformability and shaft protection
- Completely self-aligning as a result of ball and socket mounting between liner and base
- Dependable oil ring lubrication with self-contained oil supply
- Convenient oil gage can be positioned on either side of housing
- Proven reliability and dependable performance guard against catastrophic failures.
- Extended life is a plus with no metal-to-metal contact during operation. More than ten times the theoretical life of anti-friction bearings
- High speed capabilities because of self-pressurized full oil film
- Adequate vibration dampening is handled by the hydrodynamic oil film which absorbs shock
- Effective heat transfer accomplished by journal surrounded by improved coolant chambers
- Quiet operation accomplished by full separation of mating parts



PLXC



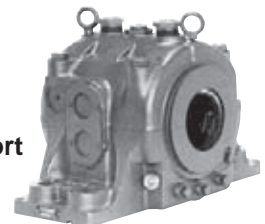
STL (Standard)



PLWC Pillow

NOTE:
Also available: Water Cooled Replacement Liners. (WC repl) - Small pipes

SSL (Short Series)



IMPERIAL - ISAF

UNIFIED SAF

International Bearings

Sleeve Bearing

SLEEVOIL

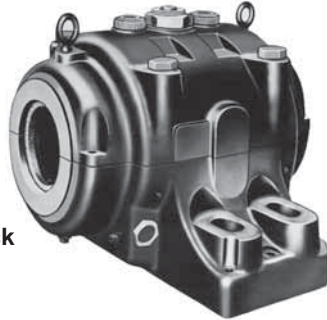
FEATURES/BENEFITS

DODGE[®]

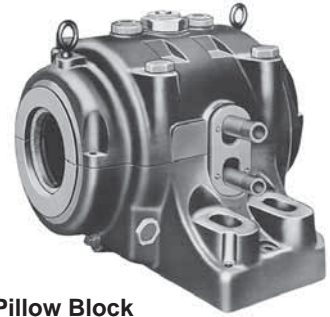


SLEEVOIL R Series Pillow Block

- 9" - 14" sizes



Plain Pillow Block



XC Pillow Block

SLEEVOIL R Series Pillow Block

- All R series jacketed liners designated as XC can be air, oil, or water cooled.
- Thrust collars convert the expansion bearing into a non-expansion bearing.
- Short series housings require less shaft space and are for expansion bearings only.
- 3-7/16, and larger bore housings are pre-machined for thermocouples, heaters, thermostats, vibration detector adapter kits, auxiliary seal kits, end cap kits and circulating oil kits.
- 3-15/16 - 8, water cooled replacement (WC repl) liners fit in the R series housings. WC repl liners have small pipes.
- PLXC Liners will not fit in old WC housings (prior to 1973); R Series housing is required.

SLEEVOIL

RTL Series Pillow Block 3-7/16" - 12" Sizes

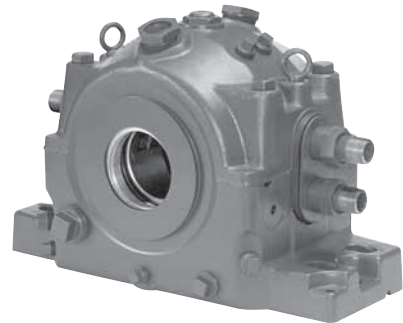
General Operating Characteristics

RTL pillow block blocks offer excellent radial and thrust load capacities. Large coolant chambers provide especially effective heat dissipation when used with circulating coolant systems. This provides exceptionally strong bearing performance near high heat sources or gases.

The inner liner of the RTL has a center cavity which provides flooding lubrication to the thrust plates. This cavity acts as a reservoir to provide lubrication even during start-up and divides the radial area into two individual load sections. A single thrust collar is required. If a split collar is used, a shaft recess is necessary.

Coolant chambers, which cool both the thrust plates and radial load sections, are of sufficient size to allow the use of water, air, or oil as the internal coolant.

Expansion pillow blocks are furnished as standard. When non-expansion blocks are specified, a thrust collar and thrust plate kit are required.



RTL Series Pillow Block

- Reliable high speed operation.
- Three times the thrust load capability of the R series.
- Suitable for operation near high heat sources.
- Pre-machined for thermocouples, circulating oil kit, vibration detector adapter kit, auxiliary seal kits, end cap kit, heater and thermostat.

FEATURES/BENEFITS



SLEEVOIL

P Series Pillow Block

80mm - 250mm Sizes



P Series Pedestal

General Operating Characteristics

P Series pedestal bearings are designed to operate in a very wide range of speeds, with bidirectional, tin babbitted radial and thrust bearing profiles. A superior oil ring and a large number of fins on both the inboard and outboard sides of the lower housing allow cooler operation.

The P Series Pedestal Bearing is dimensionally interchangeable with all DIN 31690 and ISO11687-1 bearings. All components are fully split. Housings are pre-machined for thermocouples, circulating oil, heaters and thermostats. The P Series is used on motors,

generators, fans, test stands, dynamometers, pumps, compressors and other turbomachinery. Housing sizes 9-22 are standard. Other sizes are available.

High-Performance Features

- Fully split components allow trouble free assembly and disassembly
- High-tin babbitt liners assure conformability and shaft protection
- Greater housing surface area and sump capacity for cooler operating temperatures
- Engineered oil ring delivers maximum lubricant to bearing
- Pre-machined for circulating oil, thermocouples, heaters, and thermostats
- Floating or fixed labyrinth oil seals meet IP44; optional IP55 and IP56 protection available
- Fixed labyrinth oil seals are pre-machined for Bently Nevada proximity probe housing
- Grounding and insulation options available

IMPERIAL - ISAF

UNIFIED SAF

International Bearings

Sleeve Bearing

SLEEVOIL

SPECIFICATION/ HOW TO ORDER



SLEEVOIL

- **Fully Split Housing** for trouble-free assembly and disassembly
- **Rugged Construction** using gray iron housing and liner for durability
- **Babbitt Lining** offers conformability and shaft protection
- **Completely Self-Aligning** as a result of ball and socket mounting between liner and base
- **Dependable Oil Ring Lubrication** with self-contained oil supply
- **Convenient Oil Gage** can be positioned at one end either side of housing
- **Proven Reliability** and dependable performance guard against catastrophic failures
- **Extended Life** is a plus with no metal-to-metal contact during operation. More than ten times the theoretical life of anti-friction bearings
- **High Speed Capabilities** because of self-pressurized full oil film
- **Adequate Vibration Dampening** is handled by the hydrodynamic oil film which absorbs shock
- **Effective Heat Transfer** accomplished by journal surrounded by improved coolant chambers
- **Quiet Operation** accomplished by full separation of mating parts

How To Order Traditional And DIN SLEEVOIL

There are two ways to specify DODGE SLEEVOIL Bearings. Most of the product offering have part numbers with listings shown throughout this catalog. Use of part numbers ensures accurate order processing.

When part numbers are not shown, the product may be specified by description or part number. This method is used when ordering units that include special modifications or options. To order by description, use the nomenclature shown on pages B14-7 and B14-8; plus add any special instructions, drawings, data sheets and specific information to the end of the description for options not covered by the nomenclature.

FEATURES/BENEFITS
PAGE B14-3

NOMENCLATURE
PAGE B14-7

SELECTION
PAGE B14-9

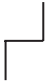


SELECTION/DIMENSIONS
PAGE B14-16

NOMENCLATURE



SLEEVOIL

SLEEVOIL BEARING NOMENCLATURE - R &RTL SERIES:

| <div style="text-align: center;"> STYLE <u>RTL</u>  STYLE: </div> | | - | <div style="text-align: center;"> PRODUCT <u>TPK</u>  PRODUCT: </div> | | - | <div style="text-align: center;"> SHAFT SIZE <u>307</u>  SHAFT SIZE: </div> | |
|---|-------------------------|---|---|--|---|---|-------------------------------|
| STD | Standard Series | | PB | Pillow Block | | 307 | First Digit: Number Of Inches |
| PLWC | Plain/Water Cooled | | HSG | Housing | | | Second & Third Digit: |
| SSL | Short Series Loaded | | LNR | Liner Assembly | | | 307 Indicates 3-7/16" |
| STL | Standard Series Loaded | | TC | Thrust Collar | | | |
| RTL | Radial Thrust Loaded | | TPK | Thrust Plate Kit | | | |
| PL | Plain | | ASK | Auxiliary Seal Kit | | | |
| PLXC | Plain/Externally Cooled | | ECK | Housing End Cap Kit | | | |
| SSH | Short Series | | COGK | Circulating Oil Grommet Kit | | | |
| XC | Externally Cooled | | VDAK | Vibration Detector Adapter Kit | | | |
| | | | HK | Heater Kit | | | |
| | | | TK | Thermostat Kit | | | |
| | | | WHK | Water Hose Kit | | | |
| | | | PLXC | Plain Externally Cooled | | | |
| | | | PL | Plain | | | |
| | | | XC | Externally Cooled | | | |
| | | | WCR | Water Cooled Replacement | | | |
| | | | NEC | Neoprene End Closure | | | |
| | | | GK | Grommet Kit | | | |
| | | | BTP | Bronze Thrust Plates (BTP1-Type 1 Lower Liner Only; BTP2-Type 2 Upper & Lower Liner) | | | |
| | | | SBTP | Shims For Bronze Thrust Plates | | | |
| | | | SSR | Split Seal Ring | | | |
| | | | TCK | Thrust Collar Kit | | | |

IMPERIAL - ISAF

UNIFIED SAF

International Bearings

Sleeve Bearing

SLEEVOIL

| | | | |
|---------------------------------|---------------------------------|-------------------------|-------------------------------------|
| FEATURES/BENEFITS PAGE B14-3 | SPECIFICATION/HTO PAGE B14-6 | SELECTION PAGE B14-9 | SELECTION/DIMENSIONS PAGE B14-16 |
|---------------------------------|---------------------------------|-------------------------|-------------------------------------|

SELECTION



SLEEVOIL

DODGE/Reliance Electric
P.O. BOX 499
6040 PONDRS COURT
GREENVILLE, SC 29602-0499
ATTENTION: SLEEVOIL BEARING APPLICATION ENGINEERING
FAX - (864) 281-2317 PHONE - (864) 281-2167 OR (864) 281-2253
SLEEVOIL - Bearing Application Inquire Form

Please provide the information by mail, phone or fax

Company Name: _____ Date: _____
 Address: _____ Response Date: _____
 Contact Name: _____ Phone: () _____
 Customer Reference: _____ Fax: () _____

Installation and Arrangement: _____
 Bearing Size in Inches: _____ Shaft Speed Constant _____ RPM
 Variable MAX _____ MIN _____
 Turning Gear _____

Type of Coolant:

Plain (None) Water Cooled Air Cooled Plain - Circ. Oil Water Cooled - Circ. Oil
 SAE 10 SAE 20 SAE 30 Other _____
 ISO 32 SO 68 ISO 100

Expected Temperature:

Ambient MAX _____ °F MIN _____ °F Water Inlet MAX _____ °F MIN _____ °F
 Air Inlet MAX _____ °F MIN _____ °F Oil Inlet MAX _____ °F MIN _____ °F

Air Velocity over Bearing Housing (FPM): _____

| | | | |
|---------------------------------|------------------------------|------------------------------|------------------------------|
| FIXED (Non-Expansion) | | FREE (Expansion) | |
| <input type="checkbox"/> RTL | <input type="checkbox"/> RXT | <input type="checkbox"/> RTL | <input type="checkbox"/> RXT |
| <input type="checkbox"/> STL | <input type="checkbox"/> P | <input type="checkbox"/> STL | <input type="checkbox"/> P |
| | | <input type="checkbox"/> SSL | |

Radial Load: _____ Lbs.

Lbs. Thrust Load: _____ Lbs.

Loading: Base Cap Base Cap

Cooling Wheel: Yes No Yes No

External Heat Source (Fan Temperature) _____ ° F

Closest Part of Bearing to Heat Source: _____ Inches _____ Inches

(Includes Aux. Seals or Reverse Mount Seals)

Indicate direction of resultant load. Show approximate angle for each bearing.



Remarks: State any unusual conditions such as shock loads, changes in thrust loads, low speed requirements, hot shaft start-ups, environmental conditions (dust, chemicals, gases), etc.

| | | | |
|---------------------------------|---------------------------------|----------------------------|-------------------------------------|
| FEATURES/BENEFITS PAGE B14-3 | SPECIFICATION/HTO PAGE B14-6 | NOMENCLATURE PAGE B14-7 | SELECTION/DIMENSIONS PAGE B14-16 |
|---------------------------------|---------------------------------|----------------------------|-------------------------------------|

SELECTION

SLEEVOIL



COMPUTER ASSIST SELECTION

TYPE: 1
 PROGRAM: RELEASE 1.0
 SERIAL: 1234567890
 DATE: 12/31/2023

1. BORE SIZE AND NAME OF SLEEVOIL BEARING: 1.500 IN. SLEEVOIL 100 WATER COOLED NON-EXPANSION BEARING

2. DEFINES PLAIN, CIRCULATING OIL, OR WATER COOLED CONFIGURATIONS: PLAIN

3. STATES EXPANSION OR NON-EXPANSION TYPE OF BEARING: NON-EXPANSION

4. REPEAT INPUT DATA WITH DEFAULT VALUES IF NEEDED:

| | | | |
|-----------------|-------|-------|----|
| HEAT GENERATION | TOTAL | 1.500 | HP |
| RADIAL | | 1.100 | HP |
| THRUST | | 0.400 | HP |
| EXPANSION | | 0.000 | HP |

5. PRESENTS HEAT GENERATION AND DISSIPATION RESULTS:

| | | | |
|------------------|-------|-------|----|
| HEAT DISSIPATION | TOTAL | 1.500 | HP |
| RADIANT | | 1.100 | HP |
| WATER COOLING | | 0.400 | HP |

6. SHOWS OIL TEMPERATURE RISE NEEDED FOR CIRCULATING OIL SYSTEM SELECTION, MAXIMUM OPERATING TEMPERATURE:

| | | |
|------------------------------------|-------|---------|
| MAXIMUM OPERATING TEMPERATURE | 100 | DEGREES |
| MINIMUM ALLOWED OIL FILM THICKNESS | 0.001 | INCHES |

7. DYNAMIC COEFFICIENTS OF THE FILM AND INSTABILITY THRESHOLD:

| | | |
|-----|-------|-------|
| MAX | 1.000 | 1.000 |
| MIN | 1.000 | 1.000 |
| AVG | 1.000 | 1.000 |
| STD | 0.000 | 0.000 |

8. IF CALCULATIONS MADE FOR BASE OR CAP LOADED BEARING OR BEARING UNDERCUT WAS PERFORMED, A STATEMENT IS ISSUED: BEARING UNCONDITIONALLY STABLE

9. ACCEPTANCE OF PERFORMED SELECTION, DATE AND HOUR:

| | | | |
|--------|---|-----|------------|
| NUMBER | 1 | AND | 12/31/2023 |
|--------|---|-----|------------|

ACCEPTANCE IS RATIONALLY WITH SAFE TO WEIGHT OPERATING OIL.

1. Bore size and name of SLEEVOIL bearing.
2. Defines plain, circulating oil, or water cooled configurations.
3. States expansion or non-expansion type of bearing.
4. Repeat input data with default values if needed.
5. Presents heat generation and dissipation results.
6. Shows oil temperature rise needed for circulating oil system selection, maximum operating temperature responding to babbit temperature and radial or thrust bearing minimum oil film thickness.
7. Dynamic coefficients of the film and instability threshold.
8. If calculations made for base or cap loaded bearing or bearing undercut was performed, a statement is issued.
9. Acceptance of performed selection, date and hour.

| | | | |
|---------------------------------|---------------------------------|----------------------------|-------------------------------------|
| FEATURES/BENEFITS PAGE B14-3 | SPECIFICATION/HTO PAGE B14-6 | NOMENCLATURE PAGE B14-7 | SELECTION/DIMENSIONS PAGE B14-16 |
|---------------------------------|---------------------------------|----------------------------|-------------------------------------|

SELECTION



SLEEVOIL

Selection and Load Ratings for Standard and Short Series SLEEVOIL Pillow Blocks

Note-Fast accurate computer selection is now available for all stock as well as special SLEEVOIL applications. If you prefer, this page and the tables that follow will allow you to do so.

Important-Ratings apply to both Standard and Short Series (SSL) SLEEVOIL pillow blocks. For SLEEVOIL RTL pillow blocks use data sheet on page B14-9 and consult DODGE.

Follow the steps below to check whether the particular bearing in question has an adequate load rating. For operating conditions other than listed under "Basis of Load Ratings" - consult factory.

Step 1. Depending on the type of bearing used, refer to either the second or third column in Table on the following page. Using the actual thrust load to be carried by the bearing and interpolating between the thrust loads given in the column, trace to the right to the column headed by the actual RPM and note the "Equivalent RPM". Interpolate when required in this and the following steps.

Step 2. Depending on the type of bearing used, refer to the applicable one of Table thru 23. Using the Equivalent RPM, note

the radial load rating. Disregard the SAE number of the oil. If the rating is less than the actual radial load, either a larger or a different type bearing, for example externally cooled instead of plain, is required.

Step 3. Multiply the actual radial load by the Equivalent RPM and divide this product by the actual RPM. This result must not be greater than the bearing rating at the actual RPM. If greater, either a larger or a different type bearing is required. If the bearing rating is adequate, note the SAE number of the required oil.

Step 4. Refer to Table . From whichever one of the second or third columns that was used in Step 1, trace right to the applicable one of the fourth, fifth or sixth columns. Note the minimum radial load required by the actual thrust load. If the actual radial load exceeds this requirement, the bearing selected has adequate capacity.

Basis of Load Ratings

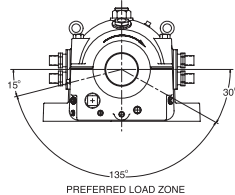
Load ratings are based on the four operating conditions stated below. For other conditions consult DODGE.

1. The oil specified under each rating should be used. The use of a different oil may reduce the allowable load and speed. The oils listed are:

SAE10 Oil: 183 SUS at 100 F or 46 SUS at 210 F.

SAE20 Oil: 348 SUS at 100 F or 57 SUS at 210 F. SAE30 Oil:

489 SUS at 100 F or 65 SUS at 210 F.



2. The resultant radial load should be located within the 135 preferred zone-see drawing. If located outside this the allowable load and speed are reduced

3. The diameter of the shaft journal surface must be held to a tolerance of +0.000" / -0.002" with a surface finish of 32 micro-inches or better.

4. Ratings are based on an ambient (surrounding) temperature of 90 F and the assumption that, if the shaft transmits heat from an external source such as an oven, the shaft temperature at the bearing will not exceed 90. Higher temperatures will reduce (and lower temperatures increase) the allowable load and speed.

Special Construction and Conditions Load and speed may be increased by certain means such as decreased temperatures and changes in clearances between bearing and shaft-consult DODGE. For operating conditions not covered, for special high capacity units with hydrostatic or segmented thrust members, or for optimum computer selection for special applications-consult DODGE.

EXAMPLES OF SELECTION

Example No. 1

Check the adequacy of a 34 15/6, SLEEVOIL plain pillow block to carry 1800 pounds actual radial load and 130 pounds actual thrust load at 700 RPM.

Step 1. Refer to the second column in Table 1. The actual thrust load of 130 pounds is between the 0 and 336 values listed. Trace to the right to the column headed by the actual RPM of 700 and obtain 951 Equivalent RPM by interpolation between the 700 and 1350 values listed.

Step 2. Refer to Table 2. For 1000 Equivalent RPM note the radial load rating of 2990 which is adequate.

Step 3. 1800 Actual radial load x 1000 B 700 = 2570. This is not greater than the 2920 rating in the 700 RPM column; hence, the bearing is adequate. Note that SAE30 oil is required.

Step 4. Interpolating in the fourth column of Table between the 0 and 790 values, the minimum radial load required is 305 pounds. The actual radial load of 1800 pounds meets this requirement. Because Steps 2, 3 and 4 checked satisfactorily, the bearing is adequate for the actual loads to be carried.

Example No. 2

Check the adequacy of a 4-7/16, SLEEVOIL plain pillow block to carry 1800 pounds actual radial load and 350 pounds actual thrust load at 700 RPM.

Step 1. Refer to the second column in Table 1. The actual thrust load of 350 pounds is between the 342 and 909 values listed. Trace to the right to the column headed by the actual RPM of 700 and obtain 1405 Equivalent RPM by interpolation between the 1360 and 1480 values listed.

Step 2. Refer to Table 2. For 1387 Equivalent RPM note the radial load rating of 2555 which is adequate.

Step 3. 1800 Actual radial load x 1387 B 700 = 3570. This is not greater than the 3770 rating in the 700 RPM column; hence, the bearing is adequate. Note that SAE30 oil is required.

Step 4. Refer to the fourth column in Table 1. Note that for 350 pounds thrust load, the minimum radial load requirement is 1000 pounds. The actual radial load of 1800 pounds meets this requirement.

Because Steps 2, 3 and 4 checked satisfactorily, the bearing is adequate for the actual loads.

| FEATURES/BENEFITS PAGE B14-3 | SPECIFICATION/HTO PAGE B14-6 | NOMENCLATURE PAGE B14-7 | SELECTION/DIMENSIONS PAGE B14-16 |
|---------------------------------|---------------------------------|----------------------------|-------------------------------------|
|---------------------------------|---------------------------------|----------------------------|-------------------------------------|



SELECTION



SLEEVOIL

Table 1: Thrust Load Data

Standard and Short Series SLEEVOIL Pillow Blocks
 (See instructions on page B14-11 or fill out data sheet on page B14-9)
 Not to be used for SLEEVOIL RTL Pillow Blocks

Thrust Load Rating in Pounds

| Shaft Size | Thrust Loads | | Minimum Radial Load for Thrust Load * | | "Equivalent RPM" is given in the body of the table. = Columns are headed by actual RPM." | | | | | | | | | | | | | | | | |
|------------|-------------------------|-------------------|---------------------------------------|-------------------|---|------------|-------------|--------------|--------------|--------------|--------------|--------------|--------------|--------------|--------------|--------------|--------------|---------------|--------------|--------------|--------------|
| | Plain & Circulating Oil | Externally Cooled | Plain & Circulating Oil | Externally Cooled | 250 | 300 | 400 | 500 | 600 | 700 | 800 | 1000 | 1200 | 1400 | 1600 | 2000 | 2500 | 3000 | 4000 | 5000 | 6000 |
| | | | | | 0 | 0 | 0 | 0 | 0 | 0 | 0 | 0 | 0 | 0 | 0 | 0 | 0 | 0 | 0 | 0 | 0 |
| 1-7/16 | 0 | | | | 250 | 300 | 400 | 500 | 600 | 700 | 800 | 1000 | 1200 | 1400 | 1600 | 2000 | 2500 | 3000 | 4000 | 5000 | 6000 |
| 1-1/2 | 26* 65 | | 110 110 | | 550 650 | 600 800 | 800 1000 | 1000 1200 | 1200 1450 | 1350 1600 | 1500 1800 | 1800 2150 | 2100 2500 | 2400 2800 | 2650 3100 | 3100 3650 | 3750 4250 | 43004 6000 | 5350 6000 | 6400 7000 | 7400 8000 |
| 1-11/16 | 0 | 0 | 0 | 0 | 250 | 300 | 400 | 500 | 600 | 700 | 800 | 1000 | 1200 | 1400 | 1600 | 2000 | 2500 | 3000 | 4000 | 5000 | 6000 |
| 1-3/4 | 39* 98 | 39* 98 | 150 150 | 270 270 | 520 600 | 600 710 | 800 930 | 980 1150 | 1140 1330 | 1300 1510 | 1470 1700 | 1780 2040 | 2080 2370 | 2350 2690 | 2620 2980 | 3100 3540 | 3760 4190 | 4220 5890 | 5290 6980 | 6320 8050 | 7380 8050 |
| 1-15/16 | 0 | 0 | 0 | 0 | 250 | 300 | 400 | 500 | 600 | 700 | 800 | 1000 | 1200 | 1400 | 1600 | 2000 | 2500 | 3000 | 4000 | 5000 | 6000 |
| 2 | 46* 116 | 46* 116 | 190 190 | 350 350 | 510 550 | 600 680 | 800 850 | 980 1050 | 1090 1220 | 1240 1400 | 1400 1560 | 1690 1880 | 1960 2200 | 2220 2490 | 2450 2800 | 2880 3280 | 3430 3850 | 3950 4410 | 5000 5500 | 6040 6560 | 7060 7610 |
| 2-3/16 | 0 | 50* | 0 | 0 | 250 | 300 | 400 | 500 | 600 | 700 | 800 | 1000 | 1200 | 1400 | 1600 | 2000 | 2500 | 3000 | 4000 | 5000 | 6000 |
| 2-1/4 | 50* 127 | 127 | 250 | 440 | 450 540 | 520 650 | 700 840 | 840 1020 | 1000 1200 | 1140 1360 | 1280 1520 | 1560 1820 | 1810 2100 | 2100 2400 | 2320 2640 | 2760 3090 | 3280 3650 | 3810 4200 | 4840 5500 | 5880 6560 | 6330 7610 |
| 2-7/16 | 0 | 0 | 0 | 0 | 250 | 300 | 400 | 500 | 600 | 700 | 800 | 1000 | 1200 | 1400 | 1600 | 2000 | 2500 | 3000 | 4000 | 5000 | 6000 |
| 2-1/2 | 57* 140 | 57* 140 | 300 300 | 550 550 | 420 480 | 500 590 | 650 750 | 800 940 | 940 1090 | 1090 1250 | 1220 1400 | 1490 1680 | 1700 2000 | 1970 2240 | 2190 2460 | 2620 2900 | 3140 3460 | 3660 3990 | 4680 5040 | 5710 6090 | 6330 7610 |
| 2-11/16 | 0 | 0 | 0 | 0 | 250 | 300 | 400 | 500 | 600 | 700 | 800 | 1000 | 1200 | 1400 | 1600 | 2000 | 2500 | 3000 | 4000 | 5000 | 6000 |
| 2-3/4 | 78* 195 | 78* 195 | 370 370 | 670 670 | 440 540 | 520 630 | 680 820 | 830 1000 | 1000 1160 | 1130 1320 | 1280 1480 | 1540 1760 | 1780 2040 | 2000 2280 | 2220 2500 | 2640 2950 | 3180 3500 | 3690 4040 | 4720 5090 | 5940 6330 | 7610 |
| 2-15/16 | 0 | 0 | 0 | 0 | 250 | 300 | 400 | 500 | 600 | 700 | 800 | 1000 | 1200 | 1400 | 1600 | 2000 | 2500 | 3000 | 4000 | 5000 | 6000 |
| 3 | 85* 212 | 85* 212 | 440 440 | 790 790 | 420 480 | 500 570 | 650 730 | 800 900 | 950 1040 | 1080 1200 | 1220 1350 | 1480 1690 | 1700 1930 | 1920 2160 | 2130 2380 | 2640 2950 | 3060 3350 | 3590 3910 | 4610 4940 | 5710 | 6330 |
| 3-7/16 | 0 | 0 | 0 | 0 | 250 | 300 | 400 | 500 | 600 | 700 | 800 | 1000 | 1200 | 1400 | 1600 | 2000 | 2500 | 3000 | 4000 | 5000 | 6000 |
| 3-1/2 | 124* 309 | 124* 309 | 600 600 | 1090 1090 | 450 540 | 530 630 | 700 810 | 850 980 | 990 1130 | 1120 1280 | 1250 1420 | 1480 1690 | 1690 1920 | 1910 2150 | 2120 2370 | 2540 2810 | 3060 3410 | 3580 3910 | 4610 | 5710 | 6330 |
| 3-15/16 | 0 | 0 | 0 | 0 | 250 | 300 | 400 | 500 | 600 | 700 | 800 | 1000 | 1200 | 1400 | 1600 | 2000 | 2500 | 3000 | 4000 | 5000 | 6000 |
| 4 | 336* 566 | 336* 566 | 790 790 | 1420 1420 | 570 640 | 670 750 | 860 950 | 1050 1130 | 1200 1300 | 1350 1460 | 1500 1650 | 1740 1910 | 1970 2160 | 2200 2400 | 2430 2630 | 2880 3090 | 3410 3640 | 3950 | 4610 | 5710 | 6330 |
| 4-7/16 | 0 | 0 | 0 | 0 | 250 | 300 | 400 | 500 | 600 | 700 | 800 | 1000 | 1200 | 1400 | 1600 | 2000 | 2500 | 3000 | 4000 | 5000 | 6000 |
| 4-1/2 | 342* 909 | 459 909 | 1000 1000 | 1800 1800 | 570 640 | 680 760 | 870 960 | 1040 1150 | 1040 1320 | 1360 1480 | 1510 1670 | 1760 1930 | 2000 2180 | 2230 2430 | 2460 2660 | 2900 3120 | 3440 3680 | 4100 | 5710 | 6330 | 7610 |
| 4-15/16 | 0 | 0 | 0 | 0 | 250 | 300 | 400 | 500 | 600 | 700 | 800 | 1000 | 1200 | 1400 | 1600 | 2000 | 2500 | 3000 | 4000 | 5000 | 6000 |
| 5 | 519* 916 | 519 916 | 1230 1230 | 2220 2220 | 520 590 | 600 700 | 780 880 | 950 1060 | 950 1280 | 1160 1410 | 1290 1550 | 1410 1800 | 1640 2040 | 1870 2270 | 2100 2500 | 2320 2940 | 2760 3490 | 3280 | 4100 | 5710 | 6330 |
| 5-7/16 | 0 | 0 | 0 | 0 | 250 | 300 | 400 | 500 | 600 | 700 | 800 | 1000 | 1200 | 1400 | 1600 | 2000 | 2500 | 3000 | 4000 | 5000 | 6000 |
| 6 | 636* 1168 | 636 1168 | 1500 1500 | 2690 2690 | 570 660 | 670 760 | 830 950 | 990 1120 | 1140 1260 | 1270 1390 | 1390 1520 | 1620 1770 | 1850 2000 | 2080 2240 | 2300 2460 | 2720 2910 | 3200 | 4100 | 5710 | 6330 | 7610 |
| 7 | 756* 1362 | 756 1362 | 1800 1800 | 3240 3240 | 560 650 | 670 750 | 840 930 | 970 1070 | 1090 1200 | 1210 1320 | 1330 1450 | 1560 1690 | 1780 1920 | 2000 2150 | 2220 2370 | 2640 | 3200 | 4100 | 5710 | 6330 | 7610 |
| 8 | 1089* 2133 | 1089 2133 | 2450 2450 | 4410 4410 | 630 700 | 700 770 | 840 930 | 970 1070 | 1090 1200 | 1210 1330 | 1330 1450 | 1560 1690 | 1780 1920 | 2000 2150 | 2220 2380 | 2640 | 3200 | 4100 | 5710 | 6330 | 7610 |
| 9 | 1368* 2654 | 1368 2654 | 3200 3200 | 5750 5750 | 580 660 | 660 740 | 800 880 | 920 1020 | 1040 1150 | 1160 1270 | 1280 1390 | 1500 1630 | 1730 1850 | 1940 2080 | 2160 2300 | 2640 | 3200 | 4100 | 5710 | 6330 | 7610 |
| 10 | 1671* 3375 | 1890 3742 | 3600 3600 | 6890 6890 | 420 450 | 480 530 | 630 680 | 780 850 | 910 990 | 1050 1130 | 1190 1280 | 1450 1560 | 1720 1860 | 1980 2040 | 2640 | 3200 | 4100 | 5710 | 6330 | 7610 | 8050 |
| 12 | 1770* 2784 | 2970 6975 | 5400 5400 | 10800 10800 | 500 550 | 560 620 | 680 750 | 800 870 | 970 990 | 1020 1100 | 1130 1210 | 1350 1430 | 1590 1670 | 1810 1960 | 2640 | 3200 | 4100 | 5710 | 6330 | 7610 | 8050 |

Interpolate for intermediate loads and speeds.

▲ See "Special Constructions and Conditions" on preceding page.

* Special modifications required if thrust loads exceed this value-consult Dodge.

= "Equivalent RPM" instead of actual RPM is required for Radial Load Table 1 thru Table 4 when thrust load is also carried-see preceding page.

★ If radial load is less than minimum, consult DODGE for bore modification to insure satisfactory operation."

| | | | |
|---------------------------------|---------------------------------|----------------------------|-------------------------------------|
| FEATURES/BENEFITS PAGE B14-3 | SPECIFICATION/HTO PAGE B14-6 | NOMENCLATURE PAGE B14-7 | SELECTION/DIMENSIONS PAGE B14-16 |
|---------------------------------|---------------------------------|----------------------------|-------------------------------------|

SELECTION



SLEEVOIL

Table 2: Thrust Load Data

Standard and Short Series SLEEVOIL Pillow Blocks
(See instructions on page B14-11 or fill out data sheet on page B14-9)
Not to be used for SLEEVOIL RTL Pillow Blocks

Radial Load Ratings in Pounds

| Shaft Size | Item | Radial Load Rating at Various Revolutions per Minute ★ | | | | | | | | | | | | | | | | | |
|------------|------|--|-------|-------|-------|-------|-------|-------|-------|-------|-------|-------|-------|------|------|------|------|------|------|
| | | 250 | 300 | 350 | 400 | 450 | 500 | 550 | 600 | 650 | 700 | 750 | 800 | 900 | 1000 | 1100 | 1200 | 1300 | 1400 |
| 1-7/16 | Load | 60 | 70 | 80 | 95 | 105 | 115 | 130 | 140 | 155 | 165 | 175 | 180 | 190 | 200 | 205 | 210 | 210 | 210 |
| 1-1/2 | Oil | 30 | 30 | 30 | 30 | 30 | 30 | 30 | 30 | 30 | 30 | 30 | 30 | 30 | 30 | 30 | 30 | 30 | 30 |
| 1-11/16 | Load | 140 | 170 | 200 | 220 | 240 | 260 | 265 | 275 | 290 | 295 | 300 | 310 | 325 | 330 | 335 | 340 | 340 | 340 |
| 1-3/4 | Oil | 30 | 30 | 30 | 30 | 30 | 30 | 30 | 30 | 30 | 30 | 30 | 30 | 30 | 30 | 30 | 30 | 30 | 30 |
| 1-15/16 | Load | 270 | 300 | 325 | 350 | 370 | 395 | 410 | 420 | 425 | 440 | 450 | 450 | 460 | 460 | 465 | 465 | 470 | 470 |
| 2 | Oil | 30 | 30 | 30 | 30 | 30 | 30 | 30 | 30 | 30 | 30 | 30 | 30 | 30 | 30 | 30 | 30 | 30 | 30 |
| 2-3/16 | Load | 365 | 410 | 430 | 470 | 490 | 520 | 540 | 560 | 570 | 580 | 590 | 600 | 600 | 610 | 610 | 620 | 620 | 630 |
| 2-1/4 | Oil | 30 | 30 | 30 | 30 | 30 | 30 | 30 | 30 | 30 | 30 | 30 | 30 | 30 | 30 | 30 | 30 | 30 | 30 |
| 2-7/16 | Load | 575 | 610 | 660 | 690 | 730 | 755 | 780 | 790 | 805 | 815 | 830 | 830 | 840 | 850 | 860 | 875 | 875 | 890 |
| 2-1/2 | Oil | 30 | 30 | 30 | 30 | 30 | 30 | 30 | 30 | 30 | 30 | 30 | 30 | 30 | 30 | 30 | 30 | 30 | 30 |
| 2-11/16 | Load | 815 | 875 | 930 | 1000 | 1020 | 1060 | 1100 | 1120 | 1140 | 1150 | 1150 | 1170 | 1180 | 1180 | 1200 | 1200 | 1200 | 1200 |
| 2-3/4 | Oil | 30 | 30 | 30 | 30 | 30 | 30 | 30 | 30 | 30 | 30 | 30 | 30 | 30 | 30 | 30 | 30 | 30 | 30 |
| 2-15/16 | Load | 1060 | 1140 | 1200 | 1250 | 1280 | 1320 | 1340 | 1350 | 1350 | 1360 | 1360 | 1370 | 1370 | 1380 | 1390 | 1390 | 1390 | 1390 |
| 3 | Oil | 30 | 30 | 30 | 30 | 30 | 30 | 30 | 30 | 30 | 30 | 30 | 30 | 30 | 30 | 30 | 30 | 30 | 30 |
| 3-7/16 | Load | 1580 | 1700 | 1800 | 1870 | 1900 | 1940 | 1960 | 1960 | 1970 | 1970 | 1980 | 1980 | 1980 | 2000 | 2000 | 2020 | 2020 | 1830 |
| 3-1/2 | Oil | 30 | 30 | 30 | 30 | 30 | 30 | 30 | 30 | 30 | 30 | 30 | 30 | 30 | 30 | 30 | 30 | 30 | 30 |
| 3-15/16 | Load | 2460 | 2650 | 2740 | 2840 | 2860 | 2870 | 2890 | 2900 | 2910 | 2920 | 2930 | 2950 | 2960 | 2990 | 2990 | 2710 | 2610 | 2140 |
| 4 | Oil | 30 | 30 | 30 | 30 | 30 | 30 | 30 | 30 | 30 | 30 | 30 | 30 | 30 | 30 | 30 | 30 | 20 | 20 |
| 4-7/16 | Load | 3280 | 3480 | 3600 | 3680 | 3700 | 3720 | 3730 | 3740 | 3760 | 3770 | 3780 | 3790 | 3790 | 3840 | 3240 | 3200 | 2520 | 2560 |
| 4-1/2 | Oil | 30 | 30 | 30 | 30 | 30 | 30 | 30 | 30 | 30 | 30 | 30 | 30 | 30 | 20 | 20 | 20 | 20 | 20 |
| 4-15/16 | Load | 4700 | 4850 | 5000 | 5050 | 5100 | 5100 | 5150 | 5170 | 5220 | 5220 | 5320 | 5370 | 5470 | 4200 | 4050 | 3500 | 3500 | 3110 |
| 5 | Oil | 30 | 30 | 30 | 30 | 30 | 30 | 30 | 30 | 30 | 30 | 30 | 30 | 20 | 20 | 20 | 20 | 20 | 20 |
| 5-7/16 | Load | 6000 | 6200 | 6290 | 6290 | 6290 | 6290 | 6290 | 6290 | 6290 | 6290 | 6290 | 6290 | 5390 | 4790 | 4310 | 4310 | 3590 | 2630 |
| 5-1/2 | Oil | 30 | 30 | 30 | 30 | 30 | 30 | 30 | 30 | 30 | 30 | 30 | 20 | 20 | 10 | 10 | 10 | 10 | 10 |
| 6 | Load | 8600 | 8600 | 8640 | 8640 | 8640 | 8640 | 8640 | 8640 | 8640 | 7700 | 7200 | 7200 | 5900 | 1300 | | | | |
| | Oil | 30 | 30 | 30 | 30 | 30 | 30 | 30 | 30 | 20 | 20 | 10 | 10 | 10 | 10 | | | | |
| 7 | Load | 14000 | 14500 | 14500 | 14500 | 14500 | 14500 | 14500 | 12700 | 12100 | 9800 | 9800 | 9800 | 7650 | 3140 | | | | |
| | Oil | 30 | 30 | 30 | 30 | 30 | 30 | 30 | 30 | 30 | 20 | 10 | 10 | 10 | 10 | | | | |
| 8 | Load | 20000 | 20000 | 20400 | 20400 | 20400 | 20400 | 17700 | 16600 | 14200 | 14200 | 14200 | 11300 | 5640 | | | | | |
| | Oil | 30 | 30 | 30 | 30 | 30 | 30 | 20 | 20 | 10 | 10 | 10 | 10 | 10 | | | | | |
| 9 | Load | 25000 | 25000 | 25000 | 25000 | 25000 | 22500 | 22500 | 17000 | 17000 | 18000 | 11900 | 10000 | 4600 | | | | | |
| | Oil | 30 | 30 | 30 | 30 | 30 | 20 | 20 | 10 | 10 | 10 | 10 | 10 | 10 | | | | | |
| 10 | Load | 31000 | 31000 | 31000 | 28200 | 21400 | 21400 | 19200 | 13400 | 8320 | 2880 | | | | | | | | |
| | Oil | 30 | 30 | 30 | 20 | 10 | 10 | 10 | 10 | 10 | 10 | | | | | | | | |
| 12 | Load | 41700 | 41700 | 36800 | 27900 | | 19000 | 9080 | | | | | | | | | | | |
| | Oil | 30 | 30 | 20 | 10 | 10 | 10 | 10 | | | | | | | | | | | |

| Shaft Size | Item | Radial Load Rating at Various Revolutions per Minute ★ | | | | | | | | | | | | | | | | | |
|------------|------|--|------|------|------|------|------|------|------|------|------|------|------|------|------|------|------|------|------|
| | | 1500 | 1600 | 1800 | 2000 | 2200 | 2400 | 2600 | 2800 | 3000 | 3200 | 3400 | 3600 | 4000 | 4500 | 5000 | 5500 | 6000 | 7000 |
| 1-7/16 | Load | 215 | 215 | 220 | 220 | 225 | 230 | 230 | 235 | 240 | 240 | 240 | 245 | 205 | 180 | 160 | 165 | 120 | 47 |
| 1-1/2 | Oil | 30 | 30 | 30 | 30 | 30 | 30 | 20 | 30 | 30 | 10 | 30 | 30 | 20 | 10 | 10 | 10 | 10 | 10 |
| 1-11/16 | Load | 345 | 345 | 350 | 355 | 355 | 360 | 360 | 365 | 365 | 370 | 325 | 325 | 250 | 255 | 195 | 125 | 47 | |
| 1-3/4 | Oil | 30 | 30 | 30 | 30 | 30 | 30 | 20 | 30 | 30 | 30 | 20 | 20 | 10 | 10 | 10 | 10 | 10 | |
| 1-15/16 | Load | 475 | 480 | 490 | 490 | 495 | 505 | 425 | 410 | 325 | 335 | 335 | 320 | 210 | 93 | | | | |
| 2 | Oil | 30 | 30 | 30 | 30 | 30 | 30 | 20 | 20 | 10 | 10 | 10 | 10 | 10 | 10 | | | | |
| 2-3/16 | Load | 640 | 640 | 650 | 650 | 660 | 580 | 590 | 470 | 440 | 450 | 435 | 365 | 215 | 59 | | | | |
| 2-1/4 | Oil | 30 | 30 | 30 | 30 | 30 | 20 | 20 | 20 | 10 | 10 | 10 | 10 | 10 | 10 | | | | |
| 2-7/16 | Load | 900 | 900 | 915 | 925 | 805 | 770 | 610 | 610 | 635 | 525 | 400 | 305 | 110 | | | | | |
| 2-1/2 | Oil | 30 | 30 | 30 | 30 | 20 | 20 | 10 | 10 | 10 | 10 | 10 | 10 | 10 | | | | | |
| 2-11/16 | Load | 1210 | 1210 | 1230 | 1050 | 960 | 815 | 815 | 755 | 575 | 415 | 270 | 150 | | | | | | |
| 2-3/4 | Oil | 30 | 30 | 30 | 20 | 20 | 10 | 10 | 10 | 10 | 10 | 10 | 10 | | | | | | |
| 2-15/16 | Load | 1390 | 1310 | 1220 | 955 | 970 | 810 | 600 | 390 | 195 | | | | | | | | | |
| 3 | Oil | 30 | 30 | 20 | 10 | 10 | 10 | 10 | 10 | 10 | | | | | | | | | |
| 3-7/16 | Load | 1710 | 1560 | 1350 | 1420 | 940 | 600 | 315 | | | | | | | | | | | |
| 3-1/2 | Oil | 20 | 20 | 10 | 10 | 10 | 10 | 10 | | | | | | | | | | | |
| 3-15/16 | Load | 2010 | 2010 | 1670 | 1010 | 505 | | | | | | | | | | | | | |
| 4 | Oil | 10 | 10 | 10 | 10 | 10 | | | | | | | | | | | | | |
| 4-7/16 | Load | 2600 | 2160 | 1240 | 480 | | | | | | | | | | | | | | |
| 4-1/2 | Oil | 20 | 10 | 10 | 10 | | | | | | | | | | | | | | |
| 4-15/16 | Load | 2420 | 1780 | 640 | | | | | | | | | | | | | | | |
| 5 | Oil | 10 | 10 | 10 | | | | | | | | | | | | | | | |
| 5-7/16 | Load | 1730 | 960 | | | | | | | | | | | | | | | | |
| 5-1/2 | Oil | 10 | 10 | | | | | | | | | | | | | | | | |

★ IMPORTANT- follow instructions on page B14-11.

| | | | |
|---------------------------------|---------------------------------|----------------------------|-------------------------------------|
| FEATURES/BENEFITS PAGE B14-3 | SPECIFICATION/HTO PAGE B14-6 | NOMENCLATURE PAGE B14-7 | SELECTION/DIMENSIONS PAGE B14-16 |
|---------------------------------|---------------------------------|----------------------------|-------------------------------------|



SELECTION



SLEEVOIL

Table 3: Radial Load Ratings

Standard and Short Series SLEEVOIL Externally Cooled Pillow Blocks
(See instructions on page B14-11 or fill out data sheet on page B14-9)
Not to be used for SLEEVOIL RTL Pillow Blocks

Radial Load Ratings in Pounds

| Shaft Size | Water Flow Rate ▲ | Item | Radial Load Ratings at Various Revolutions per Minute* | | | | | | | | | | | | | | | | | | |
|------------|-------------------|------|--|-------|-------|-------|-------|-------|-------|-------|-------|-------|-------|-------|-------|-------|-------|-------|-------|-------|-------|
| | | | 300 | 350 | 400 | 450 | 500 | 550 | 600 | 650 | 700 | 750 | 800 | 850 | 900 | 1000 | 1100 | 1200 | 1300 | 1400 | |
| 1-11/16 | 0.5 | Load | 180 | 195 | 250 | 285 | 305 | 340 | 380 | 425 | 450 | 485 | 505 | 530 | 550 | 585 | 615 | 635 | 665 | 690 | |
| 1-3/4 | | Oil | 30 | 30 | 30 | 30 | 30 | 30 | 30 | 30 | 30 | 30 | 30 | 30 | 30 | 30 | 30 | 30 | 30 | 30 | 30 |
| 1-15/16 | 0.55 | Load | 325 | 365 | 410 | 480 | 510 | 560 | 620 | 680 | 730 | 760 | 790 | 830 | 855 | 890 | 930 | 960 | 985 | 1000 | |
| 2 | | Oil | 30 | 30 | 30 | 30 | 30 | 30 | 30 | 30 | 30 | 30 | 30 | 30 | 30 | 30 | 30 | 30 | 30 | 30 | 30 |
| 2-3/16 | 0.6 | Load | 785 | 845 | 940 | 1000 | 1050 | 1080 | 1120 | 1150 | 1170 | 1190 | 1210 | 1220 | 1240 | 1260 | 1270 | 1280 | 1290 | 1300 | |
| 2-1/4 | | Oil | 30 | 30 | 30 | 30 | 30 | 30 | 30 | 30 | 30 | 30 | 30 | 30 | 30 | 30 | 30 | 30 | 30 | 30 | 30 |
| 2-7/16 | 0.75 | Load | 910 | 985 | 1030 | 1100 | 1150 | 1200 | 1250 | 1290 | 1330 | 1370 | 1400 | 1440 | 1480 | 1530 | 1560 | 1630 | 1680 | 1710 | |
| 2-1/2 | | Oil | 30 | 30 | 30 | 30 | 30 | 30 | 30 | 30 | 30 | 30 | 30 | 30 | 30 | 30 | 30 | 30 | 30 | 30 | 30 |
| 2-11/16 | 1 | Load | 1020 | 1180 | 1360 | 1480 | 1500 | 1690 | 1780 | 1850 | 1920 | 1980 | 2040 | 2080 | 2140 | 2220 | 2280 | 2320 | 2330 | 2380 | |
| 2-3/4 | | Oil | 30 | 30 | 30 | 30 | 30 | 30 | 30 | 30 | 30 | 30 | 30 | 30 | 30 | 30 | 30 | 30 | 30 | 30 | 30 |
| 2-15/16 | 1.25 | Load | 1460 | 1720 | 1930 | 2130 | 2310 | 2410 | 2500 | 2600 | 2680 | 2730 | 2780 | 2830 | 2880 | 2960 | 3050 | 3090 | 3110 | 3120 | |
| 3 | | Oil | 30 | 30 | 30 | 30 | 30 | 30 | 30 | 30 | 30 | 30 | 30 | 30 | 30 | 30 | 30 | 30 | 30 | 30 | 30 |
| 3-7/16 | 1.5 | Load | 2300 | 2640 | 2980 | 3190 | 3360 | 3500 | 3620 | 3720 | 3790 | 3860 | 3930 | 3980 | 4030 | 4080 | 4080 | 4180 | 4180 | 4206 | |
| 3-1/2 | | Oil | 30 | 30 | 30 | 30 | 30 | 30 | 30 | 30 | 30 | 30 | 30 | 30 | 30 | 30 | 30 | 30 | 30 | 30 | 30 |
| 3-15/16 | 1.75 | Load | 3940 | 4350 | 4660 | 4910 | 5160 | 5320 | 5490 | 5580 | 5610 | 5610 | 5610 | 5610 | 5610 | 5610 | 5610 | 5610 | 5610 | 5610 | |
| 4 | | Oil | 30 | 30 | 30 | 30 | 30 | 30 | 30 | 30 | 30 | 30 | 30 | 30 | 30 | 30 | 30 | 30 | 30 | 30 | 30 |
| 4-7/16 | 2.25 | Load | 5280 | 5840 | 6240 | 6560 | 6800 | 7000 | 7120 | 7240 | 7320 | 7350 | 7350 | 7350 | 7350 | 7350 | 7350 | 7350 | 7350 | 7350 | |
| 4-1/2 | | Oil | 30 | 30 | 30 | 30 | 30 | 30 | 30 | 30 | 30 | 30 | 30 | 30 | 30 | 30 | 30 | 30 | 30 | 30 | 30 |
| 4-15/16 | 2.5 | Load | 7350 | 8000 | 8470 | 8660 | 8960 | 9100 | 9250 | 9350 | 9350 | 9350 | 9350 | 9350 | 9350 | 9350 | 9350 | 9350 | 9350 | 9350 | |
| 5 | | Oil | 30 | 30 | 30 | 30 | 30 | 30 | 30 | 30 | 30 | 30 | 30 | 30 | 30 | 30 | 30 | 30 | 30 | 30 | 30 |
| 5-7/16 | 3 | Load | 9600 | 10300 | 10800 | 11200 | 11500 | 11700 | 11800 | 11900 | 12000 | 12000 | 12000 | 12000 | 12000 | 12000 | 12000 | 12000 | 12000 | 12000 | |
| 5-1/2 | | Oil | 30 | 30 | 30 | 30 | 30 | 30 | 30 | 30 | 30 | 30 | 30 | 30 | 30 | 30 | 30 | 30 | 30 | 30 | 30 |
| 6 | 4 | Load | 17000 | 17400 | 17600 | 17700 | 17700 | 17700 | 17700 | 17700 | 17700 | 17700 | 17700 | 17700 | 17700 | 17700 | 17700 | 17700 | 17700 | 15100 | 15100 |
| 7 | | Oil | 30 | 30 | 30 | 30 | 30 | 30 | 30 | 30 | 30 | 30 | 30 | 30 | 30 | 30 | 30 | 30 | 30 | 30 | 30 |
| 7 | 5 | Load | 24000 | 24300 | 24500 | 24500 | 24500 | 24500 | 24500 | 24500 | 24500 | 24500 | 24500 | 24500 | 24500 | 24500 | 24500 | 22100 | 19600 | 16600 | 16600 |
| 8 | | Oil | 30 | 30 | 30 | 30 | 30 | 30 | 30 | 30 | 30 | 30 | 30 | 30 | 30 | 30 | 30 | 20 | 20 | 20 | 20 |
| 8 | 6.5 | Load | 38400 | 38800 | 38800 | 38800 | 38800 | 38800 | 38800 | 38800 | 38800 | 38800 | 38800 | 38800 | 38800 | 38800 | 36000 | 29500 | 26500 | 26500 | 26500 |
| 9 | | Oil | 30 | 30 | 30 | 30 | 30 | 30 | 30 | 30 | 30 | 30 | 30 | 30 | 30 | 30 | 20 | 20 | 10 | 10 | 10 |
| 9 | 8 | Load | 44600 | 45100 | 45300 | 45300 | 45300 | 45300 | 45300 | 45300 | 45300 | 45300 | 45300 | 45300 | 45300 | 40000 | 36100 | 31500 | 31200 | 25700 | 18800 |
| 10 | | Oil | 30 | 30 | 30 | 30 | 30 | 30 | 30 | 30 | 30 | 30 | 30 | 30 | 30 | 20 | 20 | 10 | 10 | 10 | 10 |
| 10 | 9 | Load | 59200 | 59200 | 59200 | 59200 | 59200 | 59200 | 59200 | 59200 | 51900 | 51900 | 43400 | 38400 | 38400 | 36800 | 24900 | 14100 | 1920 | | |
| 12 | | Oil | 30 | 30 | 30 | 30 | 30 | 30 | 30 | 30 | 20 | 20 | 20 | 10 | 10 | 10 | 10 | 10 | 10 | | |

| Shaft Size | Water Flow Rate ▲ | Item | Radial Load Ratings at Various Revolutions per Minute* | | | | | | | | | | | | | | | | | |
|------------|-------------------|------|--|-------|-------|------|------|------|------|------|------|------|------|------|------|------|------|------|-------|-------|
| | | | 1500 | 1600 | 1800 | 2000 | 2200 | 2400 | 2600 | 3000 | 3500 | 4000 | 4500 | 5000 | 6000 | 7000 | 8000 | 9000 | 10000 | 11000 |
| 1-11/16 | 0.5 | Load | 710 | 720 | 750 | 770 | 780 | 785 | 795 | 795 | 795 | 800 | 800 | 805 | 735 | 625 | 605 | 615 | 355 | |
| 1-3/4 | | Oil | 30 | 30 | 30 | 30 | 30 | 30 | 30 | 30 | 30 | 30 | 30 | 30 | 30 | 20 | 10 | 10 | 10 | |
| 1-15/16 | 0.55 | Load | 1010 | 1020 | 1050 | 1070 | 1070 | 1070 | 1070 | 1070 | 1070 | 1070 | 1070 | 945 | 760 | 745 | 465 | 240 | 39 | |
| 2 | | Oil | 30 | 30 | 30 | 30 | 30 | 30 | 30 | 30 | 30 | 30 | 30 | 20 | 10 | 10 | 10 | 10 | 10 | |
| 2-3/16 | 0.6 | Load | 1320 | 1330 | 1340 | 1360 | 1360 | 1360 | 1360 | 1360 | 1350 | 1350 | 1350 | 925 | 905 | 550 | 215 | | | |
| 2-1/4 | | Oil | 30 | 30 | 30 | 30 | 30 | 30 | 30 | 30 | 30 | 30 | 30 | 10 | 10 | 10 | 10 | | | |
| 2-7/16 | 0.75 | Load | 1740 | 1770 | 1800 | 1840 | 1870 | 1880 | 1880 | 1880 | 1880 | 1880 | 1630 | 1390 | 1280 | 550 | | | | |
| 2-1/2 | | Oil | 30 | 30 | 30 | 30 | 30 | 30 | 30 | 30 | 30 | 30 | 20 | 20 | 10 | 10 | | | | |
| 2-11/16 | 10 | Load | 2390 | 2390 | 2410 | 2420 | 2420 | 2440 | 2450 | 2470 | 2510 | 2070 | 1800 | 1630 | 1180 | 475 | | | | |
| 2-3/4 | | Oil | 30 | 30 | 30 | 30 | 30 | 30 | 30 | 30 | 30 | 20 | 20 | 20 | 10 | 10 | | | | |
| 2-15/16 | 1.25 | Load | 3140 | 3160 | 3160 | 3180 | 3180 | 3190 | 3190 | 3210 | 2650 | 2310 | 2380 | 1700 | | | | | | |
| 3 | | Oil | 30 | 30 | 30 | 30 | 30 | 30 | 30 | 30 | 20 | 10 | 10 | 10 | | | | | | |
| 3-7/16 | 1.5 | Load | 4200 | 4230 | 4230 | 4250 | 4280 | 4300 | 4330 | 3600 | 2920 | 2880 | 1970 | 865 | | | | | | |
| 3-1/2 | | Oil | 30 | 30 | 30 | 30 | 30 | 30 | 30 | 20 | 10 | 10 | 10 | 10 | | | | | | |
| 3-15/16 | 1.75 | Load | 5610 | 5610 | 5610 | 5610 | 5050 | 4790 | 3880 | 2860 | 3150 | | | | | | | | | |
| 4 | | Oil | 30 | 30 | 30 | 30 | 20 | 20 | 10 | 10 | 10 | | | | | | | | | |
| 4-7/16 | 2.25 | Load | 7350 | 7350 | 7350 | 6440 | 5440 | 4960 | 4320 | 1600 | | | | | | | | | | |
| 4-1/2 | | Oil | 30 | 30 | 30 | 20 | 10 | 10 | 10 | 10 | | | | | | | | | | |
| 4-15/16 | 2.5 | Load | 9350 | 9350 | 9060 | 8320 | 6600 | 6600 | 6300 | 2950 | | | | | | | | | | |
| 5 | | Oil | 30 | 30 | 30 | 30 | 10 | 10 | 10 | 10 | | | | | | | | | | |
| 5-7/16 | 3 | Load | 12000 | 11700 | 10500 | 8310 | 8370 | 7410 | 5380 | 1850 | | | | | | | | | | |
| 5-1/2 | | Oil | 30 | 30 | 20 | 10 | 10 | 10 | 10 | 10 | | | | | | | | | | |
| 6 | 4 | Load | 12600 | 12200 | 12200 | 5400 | | | | | | | | | | | | | | |
| 7 | | Oil | 20 | 10 | 10 | 10 | | | | | | | | | | | | | | |
| 7 | 5 | Load | 16600 | 11100 | 490 | | | | | | | | | | | | | | | |
| 8 | | Oil | 10 | 10 | 10 | | | | | | | | | | | | | | | |
| 8 | 6.5 | Load | 15900 | 8700 | | | | | | | | | | | | | | | | |
| 9 | | Oil | 10 | 10 | | | | | | | | | | | | | | | | |
| 9 | 8 | Load | 12700 | 7650 | | | | | | | | | | | | | | | | |
| 10 | | Oil | 10 | 10 | | | | | | | | | | | | | | | | |

Note - Ratings to the right of the zigzag rule are for use only when "Equivalent RPM" is used: the use of actual RPM would result in exceeding the oil ring speed limit.
 * IMPORTANT - follow instructions on B14-11.
 ▲ Gallons per minute Maximum water inlet temperature 90°F

| | | | |
|---------------------------------|---------------------------------|----------------------------|-------------------------------------|
| FEATURES/BENEFITS PAGE B14-3 | SPECIFICATION/HTO PAGE B14-6 | NOMENCLATURE PAGE B14-7 | SELECTION/DIMENSIONS PAGE B14-16 |
|---------------------------------|---------------------------------|----------------------------|-------------------------------------|

SELECTION



SLEEVOIL

Table 4: Radial Load Ratings

Standard and Short Series SLEEVOIL Externally Cooled Pillow Blocks
(See instructions on page or fill out data sheet on page)
Not to be used for SLEEVOIL RTL Pillow Blocks

Radial Load Ratings in Pounds

| Shaft Size | Oil Flow Rate ▲ | Item | Radial Load Ratings at Various Revolutions per Minute* | | | | | | | | | | |
|------------|-----------------|------|--|-------|-------|-------|-------|-------|-------|-------|-------|-------|-------|
| | | | 200 | 400 | 600 | 800 | 1000 | 1200 | 1400 | 1600 | 1800 | 2000 | 2500 |
| 1-11/16 | 1.2 | Load | 120 | 170 | 220 | 260 | 305 | 385 | 415 | 450 | 495 | 565 | 655 |
| | | Oil | 30 | 30 | 30 | 30 | 30 | 30 | 30 | 30 | 30 | 30 | 30 |
| 1-15/16 | 1.2 | Load | 225 | 355 | 435 | 495 | 560 | 635 | 680 | 745 | 805 | 870 | 970 |
| | | Oil | 30 | 30 | 30 | 30 | 30 | 30 | 30 | 30 | 30 | 30 | 30 |
| 2-3/16 | 1.3 | Load | 205 | 385 | 470 | 590 | 760 | 840 | 865 | 995 | 1090 | 1180 | 1330 |
| | | Oil | 30 | 30 | 30 | 30 | 30 | 30 | 30 | 30 | 30 | 30 | 30 |
| 2-7/16 | 1.3 | Load | 290 | 510 | 840 | 1020 | 1170 | 1300 | 1420 | 1550 | 1670 | 1780 | 1990 |
| | | Oil | 30 | 30 | 30 | 30 | 30 | 30 | 30 | 30 | 30 | 30 | 30 |
| 2-11/16 | 1.5 | Load | 445 | 845 | 1150 | 1420 | 1600 | 1770 | 1950 | 2130 | 2310 | 2470 | 2760 |
| | | Oil | 30 | 30 | 30 | 30 | 30 | 30 | 30 | 30 | 30 | 30 | 30 |
| 2-3/4 | 1.5 | Load | 915 | 1300 | 1620 | 1880 | 1940 | 2360 | 2560 | 2750 | 2920 | 3100 | 3520 |
| | | Oil | 30 | 30 | 30 | 30 | 30 | 30 | 30 | 30 | 30 | 30 | 30 |
| 3-7/16 | 1.75 | Load | 1580 | 2450 | 3020 | 3600 | 3850 | 4140 | 4500 | 4810 | 5100 | 5400 | 5870 |
| | | Oil | 30 | 30 | 30 | 30 | 30 | 30 | 30 | 30 | 30 | 30 | 30 |
| 3-15/16 | 2 | Load | 2080 | 2610 | 3680 | 4350 | 4900 | 5470 | 5890 | 6300 | 6800 | 7180 | 8040 |
| | | Oil | 30 | 30 | 30 | 30 | 30 | 30 | 30 | 30 | 30 | 30 | 30 |
| 4-7/16 | 2.25 | Load | 2700 | 4100 | 5200 | 5990 | 6700 | 7420 | 7990 | 8160 | 9190 | 9700 | 10900 |
| | | Oil | 30 | 30 | 30 | 30 | 30 | 30 | 30 | 30 | 30 | 30 | 30 |
| 4-1/2 | 2.5 | Load | 4600 | 6000 | 7190 | 8270 | 9450 | 10400 | 11100 | 11800 | 12700 | 13300 | 14800 |
| | | Oil | 30 | 30 | 30 | 30 | 30 | 30 | 30 | 30 | 30 | 30 | 30 |
| 5-7/16 | 3.25 | Load | 5800 | 7800 | 9700 | 11100 | 12600 | 13600 | 14700 | 15800 | 16800 | 17600 | 19500 |
| | | Oil | 30 | 30 | 30 | 30 | 30 | 30 | 30 | 30 | 30 | 30 | 30 |
| 6 | 4 | Load | 6000 | 10500 | 20200 | 20200 | 20200 | 20200 | 19100 | 17100 | 17100 | 17100 | 13800 |
| | | Oil | 30 | 30 | 30 | 30 | 30 | 30 | 20 | 10 | 10 | 10 | 10 |
| 7 | 5 | Load | 10000 | 26900 | 26900 | 26900 | 26900 | 25100 | 24500 | 22600 | 22600 | 22600 | 16500 |
| | | Oil | 30 | 30 | 30 | 30 | 30 | 30 | 20 | 10 | 10 | 10 | 10 |
| 8 | 6.5 | Load | 14000 | 37900 | 37900 | 37900 | 37900 | 35100 | 35100 | 32200 | 32200 | 32200 | 19200 |
| | | Oil | 30 | 30 | 30 | 30 | 30 | 20 | 20 | 10 | 10 | 10 | 10 |
| 9 | 7 | Load | 25300 | 37600 | 46600 | 53000 | 53000 | 53000 | 53000 | 46000 | 46000 | 46000 | |
| | | Oil | 30 | 30 | 30 | 30 | 30 | 30 | 20 | 10 | 10 | | |
| 10 | 7.5 | Load | 25000 | 59200 | 59200 | 59200 | 59200 | 56800 | 56800 | 53900 | 53900 | | |
| | | Oil | 30 | 30 | 30 | 30 | 30 | 20 | 20 | 10 | 10 | | |
| 12 | 9.5 | Load | 95000 | 95000 | 95000 | 90000 | 85100 | 85100 | 85100 | 69100 | | | |
| | | Oil | 30 | 30 | 30 | 20 | 10 | 10 | 10 | 10 | | | |

| Shaft Size | Oil Flow Rate ▲ | Item | Radial Load Ratings at Various Revolutions per Minute* | | | | | | | | | | |
|------------|-----------------|------|--|-------|-------|------|------|------|------|------|------|------|-------|
| | | | 3000 | 3500 | 4000 | 4500 | 5000 | 5500 | 6000 | 7000 | 8000 | 9000 | 10000 |
| 1-11/16 | 1.5 | Load | 745 | 820 | 900 | 970 | 1040 | 1100 | 1160 | 1250 | 1350 | 1440 | 1510 |
| | | Oil | 30 | 30 | 30 | 30 | 30 | 30 | 30 | 30 | 30 | 30 | 30 |
| 1-15/16 | 1.75 | Load | 1070 | 1170 | 1270 | 1360 | 1460 | 1550 | 1640 | 1780 | 1920 | 2030 | |
| | | Oil | 30 | 30 | 30 | 30 | 30 | 30 | 30 | 30 | 30 | 30 | |
| 2-3/16 | 1.75 | Load | 1480 | 1620 | 1770 | 1890 | 201 | 2120 | 2230 | 2450 | 2660 | | |
| | | Oil | 30 | 30 | 30 | 30 | 30 | 30 | 30 | 30 | 30 | | |
| 2-7/16 | 1.75 | Load | 2200 | 2410 | 2610 | 2760 | 2920 | 3080 | 3240 | 3510 | | | |
| | | Oil | 30 | 30 | 30 | 30 | 30 | 30 | 30 | 30 | | | |
| 2-11/16 | 2 | Load | 3040 | 3280 | 3500 | 3680 | 3840 | 3990 | 4140 | 4340 | | | |
| | | Oil | 30 | 30 | 30 | 30 | 30 | 30 | 30 | 30 | | | |
| 2-3/4 | 2 | Load | 3950 | 4260 | 4590 | 4940 | 5290 | 5490 | 5680 | | | | |
| | | Oil | 30 | 30 | 30 | 30 | 30 | 30 | 30 | | | | |
| 3-7/16 | 2.25 | Load | 6350 | 6700 | 7020 | 7250 | 7460 | | | | | | |
| | | Oil | 30 | 30 | 30 | 30 | 30 | | | | | | |
| 3-15/16 | 2.5 | Load | 8870 | 9560 | 10300 | 9120 | | | | | | | |
| | | Oil | 30 | 30 | 30 | 20 | | | | | | | |
| 4-7/16 | 2.75 | Load | 12000 | 12800 | 11800 | | | | | | | | |
| | | Oil | 30 | 30 | 20 | | | | | | | | |
| 4-15/16 | 3 | Load | 16300 | 15300 | | | | | | | | | |
| | | Oil | 30 | 20 | | | | | | | | | |
| 5-7/16 | 3.25 | Load | 18600 | | | | | | | | | | |
| | | Oil | 20 | | | | | | | | | | |
| 6 | 4.5 | Load | 5460 | | | | | | | | | | |
| | | Oil | 10 | | | | | | | | | | |
| 7 | 5 | Load | | | | | | | | | | | |
| | | Oil | | | | | | | | | | | |
| 8 | 6.5 | Load | | | | | | | | | | | |
| | | Oil | | | | | | | | | | | |
| 9 | 7 | Load | | | | | | | | | | | |
| | | Oil | | | | | | | | | | | |
| 10 | 7.5 | Load | | | | | | | | | | | |
| | | Oil | | | | | | | | | | | |
| 12 | 9.5 | Load | | | | | | | | | | | |
| | | Oil | | | | | | | | | | | |

Note - Ratings apply to standard and short series pillow blocks, modified to permit the use of circulating oil - consult DODGE for prices and details. Externally cooled pillow blocks can also be modified for circulating oil usage - consult DODGE

* IMPORTANT - follow instructions on page B14-11

▲ Gallons per minute Maximum oil in let temperature 120°F. For speeds and loads greater than those shown, consult DODGE

| | | | |
|---------------------------------|---------------------------------|----------------------------|-------------------------------------|
| FEATURES/BENEFITS PAGE B14-3 | SPECIFICATION/HOT PAGE B14-6 | NOMENCLATURE PAGE B14-7 | SELECTION/DIMENSIONS PAGE B14-16 |
|---------------------------------|---------------------------------|----------------------------|-------------------------------------|



SELECTION/DIMENSIONS



SLEEVOIL - R Series

1-7/16" THRU 3-7/16" PLAIN-WATER COOLED STANDARD AND SHORT SERIES SLEEVOIL PILLOW BLOCKS

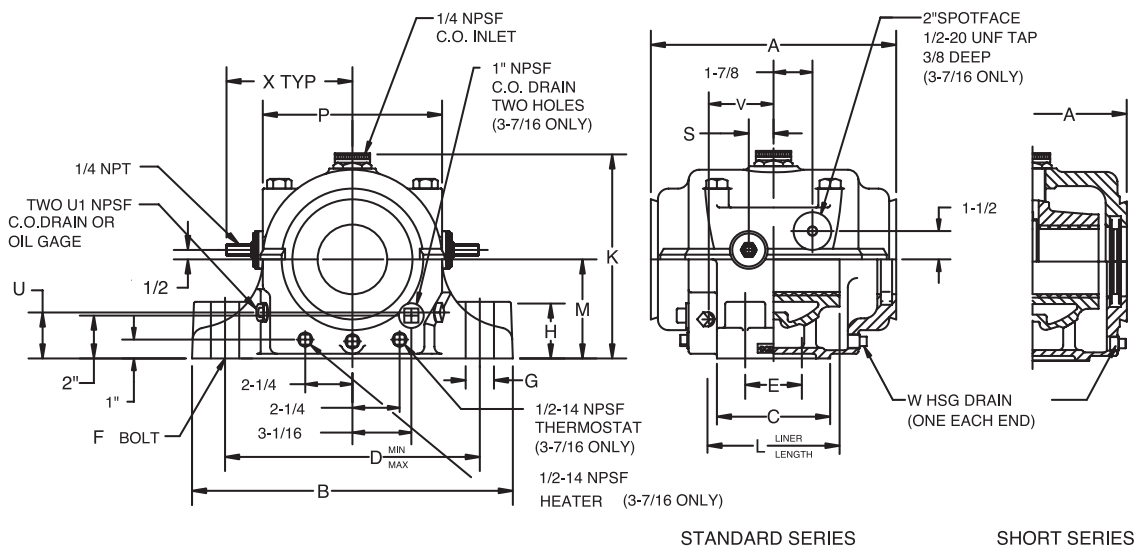
IMPERIAL - ISAF

UNIFIED SAF

International Bearings

Sleeve Bearing

SLEEVOIL



FEATURES/BENEFITS
PAGE B14-3

SPECIFICATION/HTO
PAGE B14-6

NOMENCLATURE
PAGE B14-7

SELECTION/DIMENSIONS
PAGE B14-16

SELECTION/DIMENSIONS



SLEEVOIL - R Series

1-7/16" THRU 3-7/16" PLAIN-WATER COOLED STANDARD AND SHORT SERIES SLEEVOIL PILLOW BLOCKS

| Shaft Size | Non-Expansion Pillow Blocks | | Expansion Pillow Blocks | | Expansion Pillow Blocks # | | Optional Accessories >>* | | | | | | Replacement PL-WC Liner Assemblies | |
|------------|-----------------------------|-------|-------------------------|-------|---------------------------|-------|--|-----|--------------------------------------|------|-------------------------|-----|------------------------------------|------|
| | ++ | | | | | | Req'd to Make-Up Non-Ext Blks. ● Split Thrust Collar | | No Additional Machining Required For | | | | | |
| | STD | | STD | | SSH | | Part No. | Wt. | Part No. | Wt. | Neoprene End Closure ** | | Hose Kits | |
| | Part No. | Wt. | Part No. | Wt. | Part No. | Wt. | Part No. | Wt. | Part No. | Wt. | Part No. | Wt. | Part No. | Wt. |
| 1-7/16 | 134214 > | 21.9 | 132983 > | 20.5 | | | 133245 | 0.7 | 133980 | .12 | | | 133203 | 3.6 |
| 1-11/16 | 134215 | 33.1 | 132984 | 30.7 | | | 133250 | 1.2 | 133981 | .12 | 133344 | 0.5 | 133583 | 6.3 |
| 1-15/16 | 134216 | 33.6 | 132985 | 31.6 | | | 133255 | 1.0 | 133982 | .12 | | | 133584 | 7.0 |
| 2-3/16 | 134217 | 51.4 | 132986 | 47.8 | | | 133260 | 1.8 | 133983 | .12 | | | 133585 | 12.0 |
| 2-7/16 | 134218 | 70.9 | 132987 | 65.5 | | | 133265 | 2.7 | 133984 | .12 | | | 133586 | 11.6 |
| 2-11/16 | 134219 ⊙ | 98.9 | 132988 ⊙ | 97.0 | | | 133270 | 4.1 | 133985 | .12 | | | 132959 ⊙ | 27.0 |
| 2-15/16 | 134220 ⊙ | 100.0 | 132989 ⊙ | 92.4 | 132991 ⊙ | 90.0 | 133275 | 3.8 | 133986 | .18 | | | 132950 ⊙ | 22.0 |
| 3-7/16 | 134221 ⊙ | 156.4 | 132990 ⊙ | 144.0 | 132992 ⊙ | 138.0 | 133280 | 6.2 | 133987 | 0.31 | | | 132951 ⊙ | 50 |

| Shaft Size | A | | B | | C | | D (Min.-Max.) | | | | E | | F Bolt Dia. | | G | |
|------------|--------|-------|--------|------|-------|-------|------------------|------------------|--------|--------|--------|--------|-------------|-------|-------|-------|
| | STD | SSH | STD | SSH | STD | SSH | STD | SSH | STD | SSH | STD | SSH | STD | SSH | STD | SSH |
| 1-7/16 | 6-1/2 | | 9-1/2 | | 2-3/4 | | 7 | | 7-1/2 | | | | 5/8 | | 1 | |
| 1-11/16 | 7-3/4 | | 10-1/2 | | 3 | | 7-3/4 | | 8-1/4 | | | | 5/8 | | 1 | |
| 1-15/16 | 7-3/4 | | 10-1/2 | | 3 | | 7-3/4 | | 8-1/4 | | | | 5/8 | | 1 | |
| 2-3/16 | 9-1/4 | | 12-1/2 | | 3-1/2 | | 9-1/8 | | 9-7/8 | | | | 3/4 | | 1-1/4 | |
| 2-7/16 | 10-1/2 | | 13-1/2 | | 4 | | 10-1/8 | | 10-7/8 | | | | 3/4 | | 1-1/4 | |
| 2-11/16 | 11-1/2 | | 15 | | 4-1/2 | | 11 | | 12 | | | | 7/8 | | 1-1/2 | |
| 2-15/16 | 11-1/2 | 8-3/4 | 15 | 15 | 4-1/2 | 5-3/4 | 11 | 11 | 12 | 10-7/8 | 12-1/8 | 12-1/8 | 7/8 | 3/4 | 1-1/2 | 1-1/2 |
| 3-7/16 | 13 | 10 | 17 | 17 | 6 | 6 | 12-15/16-14-1/16 | 12-15/16-14-1/16 | 3 | 3 | 3/4 | 3/4 | 1-1/2 | 1-1/2 | | |

| Shaft Size | H | | K | | L | | M | | P | | S | | U | |
|------------|---------|-------|-------|-------|-------|------|--------|--------|-------|-------|--------|--------|-------|-------|
| | STD | SSH | STD | SSH | STD | SSH | STD | SSH | STD | SSH | STD | SSH | STD | SSH |
| 1-7/16 | 1-1/2 | | 6 | | 3 | | 2-3/4 | | 4-5/8 | | | | 1-1/8 | |
| 1-11/16 | 1-3/4 | | 6-3/4 | | 3-1/2 | | 3-1/8 | | 5-3/8 | | 7/8 | | 1-3/8 | |
| 1-15/16 | 1-3/4 | | 6-3/4 | | 4 | | 3-1/8 | | 5-3/8 | | 7/8 | | 1-3/8 | |
| 2-3/16 | 2 | | 8 | | 4-1/2 | | 3-3/4 | | 6-3/8 | | 7/8 | | 1-1/2 | |
| 2-7/16 | 2-3/8 | | 8-3/4 | | 5 | | 4-1/8 | | 7-1/8 | | 1-1/16 | | 1-5/8 | |
| 2-11/16 | 2-15/32 | | 9-5/8 | | 5-1/2 | | 4-9/16 | | 7-7/8 | | 1-1/8 | | 1-7/8 | |
| 2-15/16 | 2-15/32 | 1-1/2 | 9-5/8 | 9-5/8 | 6 | 6 | 4-9/16 | 4-9/16 | 7-7/8 | 7-7/8 | 1-1/8 | 1-1/8 | 1-7/8 | 1-3/4 |
| 3-7/16 | 3 | 3 | 11 | 11 | 7 | 7 | 5-1/4 | 5-1/4 | 9-3/8 | 9-3/8 | 1-5/16 | 1-5/16 | 2 | 2 |

| Shaft Size | U1 | | V | | W | | X | Thrust Collar Dia. x Width ● | Oil (fl. oz.) |
|------------|-----|------|---------|--------|-----|------|-------|------------------------------|---------------|
| | STD | SSH | STD | SSH | STD | SSH | | | |
| 1-7/16 | 1/2 | | 2-1/16 | | 1/4 | | | 2-1/2 x 7/8 | 6 |
| 1-11/16 | 1/2 | | 2-1/4 | | 1/4 | | 3-3/4 | 3 x 11/16 | 8 |
| 1-15/16 | 1/2 | | 2-1/4 | | 1/4 | | 3-3/4 | 3 x 11/16 | 8 |
| 2-3/16 | 1/2 | | 2-1/2 | | 1/4 | | 4-3/4 | 3-5/8 x 1-1/8 | 10 |
| 2-7/16 | 1/2 | | 2-15/16 | | 1/4 | | 4-3/4 | 4 x 1-1/8 | 15 |
| 2-11/16 | 1/2 | | 3-1/8 | | 1/4 | | 5-1/8 | 4-5/8 x 1-1/2 | 18 |
| 2-15/16 | 1/2 | 1/2 | 3-1/8 | 3-9/16 | 1/4 | 1/4 | 5-1/8 | 4-5/8 x 1-1/4 | 18 |
| 3-7/16 | 3/4 | 1/2 | 3-7/8 | 3-7/8 | 1/2 | 1/2 | 5-1/2 | 5-1/2 x 1-1/2 | 33 |

- # Not adaptable to non-expansion conversion
- ## 2-bolt base
- >> Not Furnished unless specifically ordered
- > Available in STD (plain) style only
- * A 3-7/16 Auxiliary Seal Kit @ 4.9 lbs. (part no. 132811)
- A 3-7/16, Hsg. End Cap Kit @ 5.31 lbs. (part no. 132542)
- A 3-7/16 Heater @ 50 lbs. (part no. 132835) to be used with
- A 3-7/16, thermostat @ 2.0 lbs. (part no. 133116), and
- A 3-7/16, Vibration detector kit @ 5 lbs. (part no. 430153)
- ** Used to close one end of pillow block. One required for 1-7/16 thru 2-15/16' sizes two required for 3-7/16, size
- Two required for each expansion block when a non-expansion block is required. Not adaptable to Short Series (SSH or SSL)
- ⊗ Pillow block and liner are pre-drilled for thermocouple (2 places)
- STL & SSL are pre-drilled for accessories: thermocouple, circulating oil, vibration detector, heater and thermostat
- ++ Non-Expansion Pillow Blocks include housing, liner and two split thrust collars

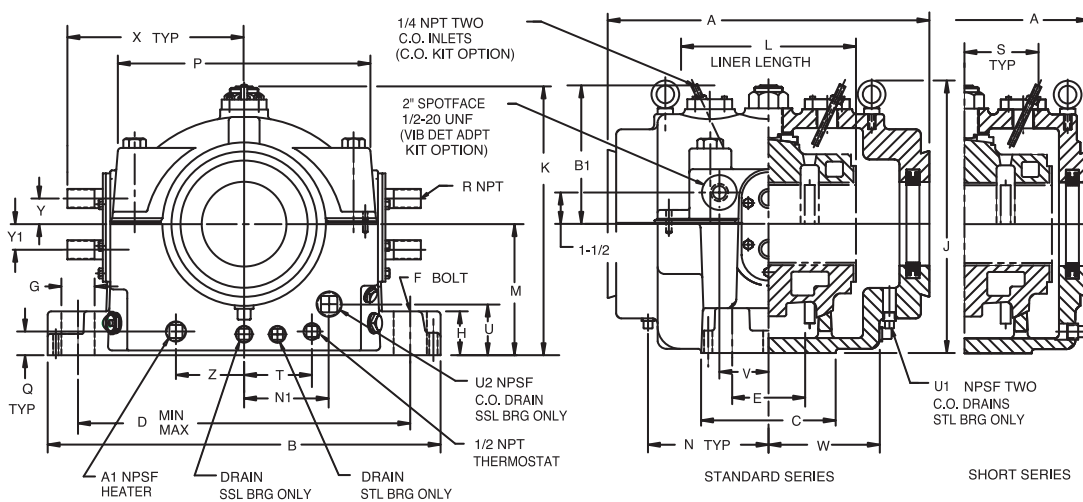
| | | | |
|---------------------------------|---------------------------------|----------------------------|-------------------------------------|
| FEATURES/BENEFITS PAGE B14-3 | SPECIFICATION/HTO PAGE B14-6 | NOMENCLATURE PAGE B14-7 | SELECTION/DIMENSIONS PAGE B14-16 |
|---------------------------------|---------------------------------|----------------------------|-------------------------------------|



SELECTION/DIMENSIONS



SLEEVOIL - R Series 3-15/16" THRU 8" PLAIN / EXTERNALLY COOLED STANDARD AND SHORT SERIES SLEEVOIL PILLOW BLOCKS



IMPERIAL - ISAF

UNIFIED SAF

International Bearings

Sleeve Bearing

SLEEVOIL

FEATURES/BENEFITS
PAGE B14-3

SPECIFICATION/HTO
PAGE B14-6

NOMENCLATURE
PAGE B14-7

SELECTION/DIMENSIONS
PAGE B14-16

SELECTION/DIMENSIONS



SLEEVOIL - R Series

3-15/16" THRU 8" PLAIN / EXTERNALLY COOLED STANDARD AND SHORT SERIES SLEEVOIL PILLOW BLOCKS

| Shaft Size | Pillow Block Assemblies | | | | | | Req'd To Make Up Non-Expansion Blocks >> ● Split Thrust Collars | | Replacement Liner Assemblies ⊙ | | | |
|------------|--------------------------------|------|-------------------------|------|---------------------------|------|---|------|--------------------------------|-----|------------------------------------|-----|
| | Non-Expansion Pillow Blocks ++ | | Expansion Pillow Blocks | | Expansion Pillow Blocks # | | | | PL-XC Externally Cooled | | WC (Prior to 1973 hsg) Replacement | |
| | Part No. | Wt. | Part No. | Wt. | Part No. | Wt. | Part No. | Wt. | Part No. | Wt. | Part No. | Wt. |
| 3-15/16 | 134222 | 215 | 134200 | 201 | 134207 | 193 | 133285 | 7.2 | 132952 | 51 | 133590 | 54 |
| 4-7/16 | 134223 | 287 | 134201 | 271 | 134208 | 255 | 133292 | 7.9 | 132953 | 71 | 133591 | 65 |
| 4-15/16 | 134224 | 385 | 134202 | 362 | 134209 | 324 | 133293 | 11.3 | 132954 | 92 | 133592 | 91 |
| 5-7/16 | 134225 | 495 | 134203 | 470 | 134210 | 462 | 133294 | 12.3 | 132955 | 130 | 133593 | 114 |
| 6 | 134226 | 629 | 134204 | 598 | 134211 | 570 | 133295 | 15.3 | 132956 | 158 | 133594 | 158 |
| 7 | 134227 | 944 | 134205 | 882 | 134212 | 845 | 133296 | 31.3 | 132957 | 230 | 133595 | 216 |
| 8 | 134228 | 1395 | 134206 | 1298 | 134213 | 1256 | 133297 | 48.7 | 132958 | 372 | 133596 | 375 |

| Shaft Size | Optional Accessories >> * | | | | | | | | | | Pipe Grommet Kits > | |
|------------|---------------------------|------|----------------------|------|----------|-----|------------------------------|-----|---------------------------|-----|---------------------|-----|
| | Auxiliary Seal Kits ## | | Housing End Cap Kits | | Heater | | Circulating Oil Inlet Kits > | | Neoprene End Closures ⊙ ⊗ | | | |
| | Part No. | Wt. | Part No. | Wt. | Part No. | Wt. | Part No. | Wt. | Part No. | Wt. | Part No. | Wt. |
| 3-15/16 | 432181 | 6.4 | 432190 | 6.1 | 132836 | 1.0 | 432153 | 2 | 133988 | .3 | 132192 | 1.6 |
| 4-7/16 | 432184 | 7.0 | 432193 | 6.8 | 132836 | 1.0 | 430198 | 2 | 133989 | .4 | 132192 | 1.6 |
| 4-15/16 | 432187 | 7.5 | 432196 | 7.3 | 132836 | 1.0 | 430198 | 2 | 133990 | .5 | 132193 | 2.4 |
| 5-7/16 | 133932 | 12.4 | 132546 | 11.6 | 132837 | 2.0 | 430155 | 2 | 133991 | .6 | 132193 | 2.4 |
| 6 | 133933 | 14.8 | 132547 | 10.6 | 132838 | 2.5 | 430155 | 2 | 133992 | .8 | 132198 | 3.6 |
| 7 | 133937 | 19.0 | 132548 | 13.5 | 132838 | 2.5 | 430155 | 2 | 133993 | 1.2 | 132198 | 3.6 |
| 8 | 133938 | 24.9 | 132549 | 15.5 | 132839 | 3.0 | 430155 | 2 | 133994 | 1.3 | 132198 | 3.6 |

| Shaft Size | A | | B | C | D (Min.-Max.) | | E | F Dia. Bolt | G | H | | J | |
|------------|--------|--------|--------|--------|-----------------|-------|-------|-------------|-------|-------|---------|--------|-----|
| | STL | SSL | | | STL | SSL | | | | STL | SSL | STL | SSL |
| 3-15/16 | 15 | 11 | 19 | 7 | 14-1/4 - 15-3/4 | 3-1/2 | 7/8 | 1-3/4 | 3 | 2 | 12-1/16 | 12-5/8 | |
| 4-7/16 | 16-1/2 | 12-1/2 | 20-1/2 | 7-1/2 | 15-1/4 - 16-3/4 | 4 | 1 | 2 | 3-1/2 | 3-1/2 | 14-5/8 | 14-5/8 | |
| 4-15/16 | 18-1/4 | 13-3/4 | 22-1/2 | 8-1/2 | 16-5/8 - 18-7/8 | 4-1/2 | 1 | ** | 3-1/8 | 2-1/2 | 15-7/8 | 15-7/8 | |
| 5-7/16 | 19-3/4 | 15-1/4 | 24-1/2 | 9-1/2 | 18-1/4 - 20-1/4 | 5 | 1-1/8 | 2-1/4 | 3-3/4 | 2-3/4 | 17-1/8 | 17-1/8 | |
| 6 | 21-1/4 | 16-1/4 | 26 | 10-1/2 | 19-5/8 - 21-7/8 | 5-1/2 | 1-1/4 | 2-1/2 | 4 | 3 | 17-5/8 | 18-1/2 | |
| 7 | 24-1/2 | 18-3/4 | 29-3/4 | 12-1/2 | 22-5/8 - 25-3/8 | 6-1/2 | 1-1/2 | 3 | 5-1/8 | 3-1/2 | 19-7/16 | 21 | |
| 8 | 27-3/4 | 21 | 34 | 14-1/2 | 25-5/8 - 28-7/8 | 7-1/2 | 1-3/4 | 3-1/2 | 5-7/8 | 4 | 21-5/16 | 23-1/2 | |

| Shaft Size | K | L | M | N | | P | Q | R Pipe | | T | | U1 | U2 |
|------------|----------|----|--------|---------|-------|--------|--------|--------|----------|-------|-------|-------|-------|
| | | | | STL | SSL | | | PLXC | WC Rep't | STL | SSL | | |
| 3-15/16 | 11-15/16 | 8 | 5-3/4 | 5-15/16 | 2-5/8 | 10-1/8 | 1-1/4 | 1 | 1/2 | 2-1/8 | 2-1/8 | 3/4 | 3/4 |
| 4-7/16 | 13-7/8 | 9 | 6-1/4 | 6-3/8 | 3-3/8 | 11-1/2 | 1-3/8 | 1 | 1/2 | 3 | 2 | 3/4 | 1 |
| 4-15/16 | 15-1/16 | 10 | 7 | 7-1/16 | 3-3/4 | 12-1/2 | 1-5/16 | 1-1/4 | 1/2 | 2-7/8 | 2 | 1 | 1-1/4 |
| 5-7/16 | 15-15/16 | 11 | 7-1/2 | 7-5/8 | 4-3/8 | 13-3/4 | 1-9/16 | 1-1/4 | 1/2 | 3-3/8 | 2-1/2 | 3 | 1 |
| 6 | 18 | 12 | 8-1/4 | 8-1/4 | 4-1/2 | 14-3/4 | 1-3/4 | 1-1/4 | 3/4 | 3-7/8 | 2-3/4 | 3-1/8 | 1 |
| 7 | 20-1/4 | 14 | 9-1/2 | 9-9/16 | 5 | 17 | 2 | 1-1/4 | 3/4 | 5 | 3 | 1-1/4 | 1-1/4 |
| 8 | 22-1/2 | 16 | 10-3/4 | 11 | 5-3/4 | 19 | 2 | 1-1/4 | 3/4 | 5-1/4 | 4 | 1-1/4 | 1-1/4 |

| Shaft Size | V | W | X | Y | | Y1 | | Z | A1 | B1 | Thrust Collars Dia. x Width ● | Oil (Fl. oz.) |
|------------|-------|-------|----------|-------|----------|-------|----------|-------|-------|--------|-------------------------------|---------------|
| | | | | PLXC | WC Rep't | PLXC | WC Rep't | | | | | |
| 3-15/16 | 3 | 5 | 8-9/16 | 1-1/4 | 1 | 1-1/4 | 1 | 2-1/8 | 3/4 | 7-1/16 | 6 x 1-13/16 | 50 |
| 4-7/16 | 3-1/2 | 5-5/8 | 9-3/16 | 1-1/4 | 1 | 1-1/4 | 1 | 3 | 3/4 | 7-5/8 | 6-1/2 x 1-13/16 | 64 |
| 4-15/16 | 3-1/2 | 6-1/8 | 10 | 1-1/2 | 1 | 1-3/4 | 1 | 2-7/8 | 3/4 | 8 | 7-1/4 x 2-1/16 | 90 |
| 5-7/16 | 3-1/2 | 6-3/4 | 10-3/8 | 1-1/2 | 1 | 1-3/4 | 1 | 3-3/8 | 3/4 | 8-3/4 | 7-3/4 x 2-1/16 | 100 |
| 6 | 4 | 7-1/4 | 11-3/16 | 1-3/4 | 1-1/4 | 2 | 1-1/4 | 3-7/8 | 1 | 9-7/8 | 8-1/2 x 2-3/16 | 132 |
| 7 | 4-1/2 | 8-3/8 | 12-15/16 | 1-3/4 | 1-1/4 | 2 | 1-1/4 | 5 | 1 | 10-7/8 | 10 x 2-11/16 | 240 |
| 8 | 5 | 9-5/8 | 14-13/16 | 1-3/4 | 1-1/4 | 2 | 1-1/4 | 5-1/4 | 1-1/4 | 12 | 11-1/2 x 3-3/16 | 320 |

- # Not adaptable to non-expansion conversion
 - ## One required per pillow block end
 - > One required per pillow block
 - >> Not furnished unless specifically ordered
 - * Vibration detector adaptor kit @ 5.0 lbs (part no. 430153), thermostat @ 2.0 lbs (part no. 133116) to be used with heater
 - ** 2-1/4" on STL; 2" on SSL
 - ++ Non-Expansion Pillow Blocks include housing, liner and two split thrust collars
 - Two required for each expansion block when a non-expansion block is required. Not adaptable to Short Series (SSL)
 - ⊙ To differentiate between XC and water cooled replacement liners see "R" dimensions pipe size
 - ⊗ ⊗ Two required per 3-15/16 thru 4-15/16 sizes; three for 5-7/16 and larger
- All sizes are pre-machined for accessories: thermocouples, circulating oil, vibration detector, heater and thermostat

| | | | |
|---------------------------------|---------------------------------|----------------------------|-------------------------------------|
| FEATURES/BENEFITS PAGE B14-3 | SPECIFICATION/HTO PAGE B14-6 | NOMENCLATURE PAGE B14-7 | SELECTION/DIMENSIONS PAGE B14-16 |
|---------------------------------|---------------------------------|----------------------------|-------------------------------------|



SELECTION/DIMENSIONS

SLEEVOIL - R Series 9", 10", 12" & 14" PLAIN SLEEVOIL PILLOW BLOCKS

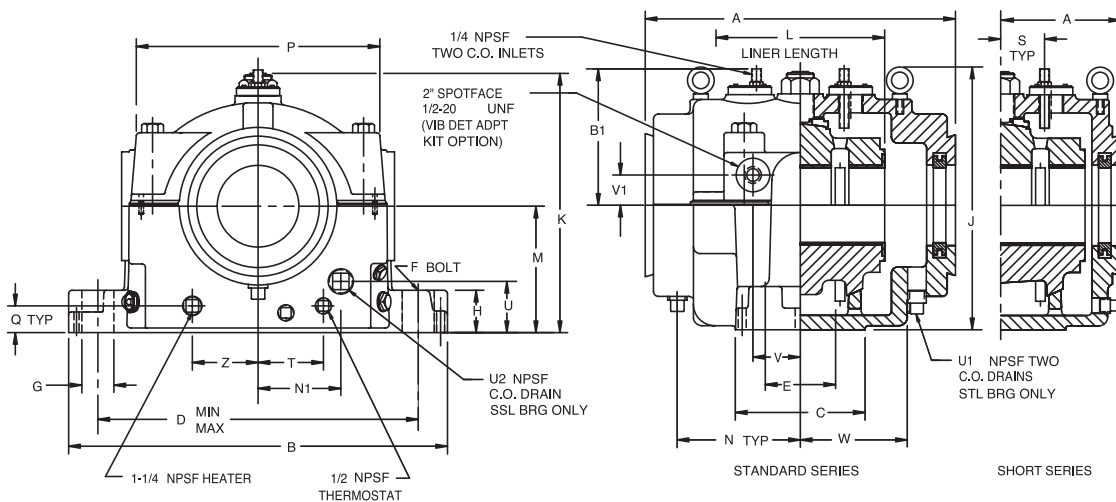
IMPERIAL - ISAF

UNIFIED SAF

International Bearings

Sleeve Bearing

SLEEVOIL



FEATURES/BENEFITS
PAGE B14-3

SPECIFICATION/HTO
PAGE B14-6

NOMENCLATURE
PAGE B14-7

SELECTION/DIMENSIONS
PAGE B14-16

SELECTION/DIMENSIONS



SLEEVOIL - R Series 9", 10", 12" & 14" PLAIN SLEEVOIL PILLOW BLOCKS

| Shaft Size | Plain Non-Expansion Pillow Blocks + + | | Plain Expansion Pillow Blocks | | | | Required to Make Up Non-Expansion Blocks | |
|------------|---------------------------------------|------|-------------------------------|------|----------|------|--|-----|
| | STL | | STL | | SSL | | ● >> Split Thrust Collars | |
| | Part No. | Wt. | Part No. | Wt. | Part No. | Wt. | Part No. | Wt. |
| 9 | 134229 | 1339 | 132766 | 1235 | 132924 | 1168 | 133959 | 54 |
| 10 | 134230 | 1344 | 132767 | 1240 | 132925 | 1105 | 133960 | 52 |
| 12 | 134231 | 2136 | 132768 | 2000 | 132926 | 1785 | 133961 | 68 |
| 14 | 134232 | 3550 | 431399 | 3400 | 430561 | 3000 | 431389 | 75 |

| Shaft Size | Optional Accessories >> * | | | | | | | | | | Replacement Plain Liner Assemblies | |
|------------|---------------------------|------|----------------------|------|----------|-----|------------------------------|-----|------------------------|------|------------------------------------|------|
| | Auxiliary Seal Kits ## | | Housing End Cap Kits | | Heater | | Circulating Oil Inlet Kits > | | Neoprene End Closure## | | Part No. | Wt. |
| | Part No. | Wt. | Part No. | Wt. | Part No. | Wt. | Part No. | Wt. | Part No. | Wt. | Part No. | Wt. |
| 9 | 132814 | 23.1 | 132564 | 15.9 | 132839 | 3.0 | 430155 | 2.0 | 133996 | 1.5 | 133550 | 327 |
| 10 | 132816 | 24.2 | 132565 | 16.4 | 132839 | 3.0 | 430155 | 2.0 | 133995 | 1.6 | 133669 | 450 |
| 12 | 132819 | 40.0 | 132566 | 25.0 | 132840 | 4.0 | 430155 | 2.0 | 133997 | 1.9 | 133392 | 650 |
| 14 | 132822 | 36.0 | 132567 | 25.0 | 132840 | 4.0 | 430155 | 2.0 | | | 430831 | 1200 |

| Shaft Size | A | | B | | C | | D (Min.-Max.) | | E | | F-Boit | | G | | H | | J | |
|------------|--------|--------|-----------|-----------|-----------------|--|---------------|-----------|-----------|-----------|--------|---------|---------|-----|-----|-----|---|--|
| | STL | SSL | STL & SSL | STL & SSL | STL & SSL | | STL & SSL | STL & SSL | STL & SSL | STL & SSL | STL | SSL | STL | SSL | STL | SSL | | |
| 9 | 27-3/4 | 21 | 34 | 14-1/2 | 25-5/8 - 28-7/8 | | 7-1/2 | 1-3/4 | 3-1/2 | 5-7/8 | 4 | 22-3/8 | 23-1/2 | | | | | |
| 10 | 27-3/4 | 21 | 34 | 14-1/2 | 25-5/8 - 28-7/8 | | 7-1/2 | 1-3/4 | 3-1/2 | 5-7/8 | 4 | 22-3/8 | 23-1/2 | | | | | |
| 12 | 30 | 23-1/4 | 40 | 17 | 31-1/4 - 34-3/4 | | 9 | 2 | 4 | 6-3/4 | 6-3/4 | 29-5/16 | 29-5/16 | | | | | |
| 14 | 34 | 26-1/4 | 46-1/8 | 18 | 36-1/2 - 40-1/2 | | 10 | 2 | 4 | 7 | ... | 35-1/8 | 35-1/8 | | | | | |

| Shaft Size | K | L | M | N | N1 | P | S | T | U | U1 | U2 | | V | | Wt. (lbs.) | |
|------------|-----------|-----------|-----------|--------|-------|-----------|-----------|-------|------|--------|-------|-------|------|-----------|------------|-----|
| | STL & SSL | STL & SSL | STL & SSL | STL | SSL | STL & SSL | STL & SSL | STL | SSL | SSL | STL | STL | SSL | STL & SSL | STL | SSL |
| 9 | 22-1/2 | 16 | 10-3/4 | 11 | 5-1/2 | 19 | 3 | 5-1/4 | 4 | 3-3/8 | 1-1/4 | 1-1/4 | 5 | 1235 | 1168 | |
| 10 | 22-1/2 | 16 | 10-3/4 | 11 | 5-1/2 | 19 | 3 | 5-1/4 | 4 | 3-7/8 | 1-1/4 | 1-1/4 | 5 | 1240 | 1105 | |
| 12 | 28-1/4 | 18 | 13-1/2 | 12-3/8 | 7-3/4 | 23-3/4 | 3-1/2 | 7 | 7 | 5-3/16 | 1-1/2 | 1-1/2 | 7 | 2000 | 1785 | |
| 14 | 32-5/8 | 20 | 16 | | | 28-3/4 | | | | | | 1-1/2 | | | | |

| Shaft Size | V1 | | W | Z | B1 | Thrust Collar (Dia. x Width) | Oil (fl. oz.) |
|------------|-------|-------|-----------|-----------|--------|------------------------------|---------------|
| | STL | SSL | STL & SSL | STL & SSL | STL | Plain | |
| 9 | 1-1/2 | 1-1/2 | 9-5/8 | 5-1/4 | 12 | 12-1/2x3 - 3/16 | 320 |
| 10 | 1-1/2 | 1-1/2 | 9-5/8 | 5-1/4 | 12 | 12-1/2x3 - 1/4 | 320 |
| 12 | 2 | 2 | 11 | 7 | 14-1/2 | 15-1/2x3 - 3/8 | 640 |
| 14 | | | 12-1/16 | | | 18-3/4x3 - 3/8 | 704 |

- # Not adaptable to non-expansion
- ## One required per pillow block end
- > One required per pillow block
- >> Not furnished unless specifically ordered
- * Vibration detector adaptor kit @ 5.0 lbs. (part no. 430153) thermostat @ 2.0 lbs (part no. 133116) to be used with heater
- Two required for each expansion block when a non-expansion block is required
- Not adaptable to short Series (SSL)
- + + Non-Expansion Pillow Blocks include housing, liner and two split thrust collars

All housings are pre-machined for accessories; thermocouples, circulating oil vibration detector, heater and thermostat

| | | | |
|---------------------------------|---------------------------------|----------------------------|-------------------------------------|
| FEATURES/BENEFITS PAGE B14-3 | SPECIFICATION/HTO PAGE B14-6 | NOMENCLATURE PAGE B14-7 | SELECTION/DIMENSIONS PAGE B14-16 |
|---------------------------------|---------------------------------|----------------------------|-------------------------------------|



SELECTION/DIMENSIONS



SLEEVOIL - R Series 9", 10", 12" XC SLEEVOIL PILLOW BLOCKS

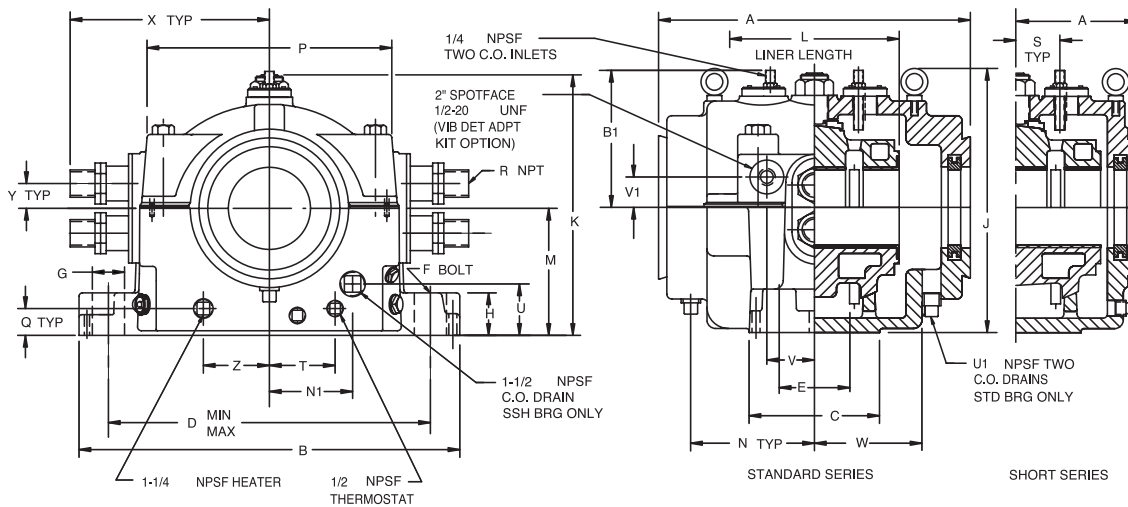
IMPERIAL - ISAF

UNIFIED SAF

International Bearings

Sleeve Bearing

SLEEVOIL



FEATURES/BENEFITS
PAGE B14-3

SPECIFICATION/HTO
PAGE B14-6

NOMENCLATURE
PAGE B14-7

SELECTION/DIMENSIONS
PAGE B14-16

SELECTION/DIMENSIONS



SLEEVOIL - R Series 9", 10", 12" XC SLEEVOIL PILLOW BLOCKS

| Shaft Size | Non-Expansion Pillow Blocks XC (Externally Cooled) + + | | Expansion Pillow Blocks XC (Externally Cooled) | | | | Required to Make Up Non-Expansion Pillow Blocks ● >> | |
|------------|---|------|--|------|----------|------|--|------|
| | STL-XC | | STL-XC | | SSL-XC # | | XC Split Thrust Collars | |
| | Part No. | Wt. | Part No. | Wt. | Part No. | Wt. | Part No. | Wt. |
| 9 | 134233 ⊗ | 1714 | 132538 ⊗ | 1600 | 133565 ⊗ | 1500 | 133303 | 57 |
| 10 | 134234 ⊗ | 2148 | 132539 ⊗ | 2000 | 133566 ⊗ | 1750 | 133304 | 74 |
| 12 | 134235 x | | 132559 x | 3300 | | | 133305 | |

| Shaft Size | Auxiliary Seal Kits ## | | Housing End Cap Kits | | Heater XC | | Circulating Oil Inlet Kits > | | Neoprene End Closure ## | | Liner Assemblies XC | |
|------------|------------------------|------|----------------------|------|-----------|------|------------------------------|------|-------------------------|-----|---------------------|-----|
| | Part No. | Wt. | Part No. | Wt. | Part No. | Wt. | Part No. | Wt. | Part No. | Wt. | Part No. | Wt. |
| 9 | 132814 | 23.1 | 132564 | 15.9 | 132840 | 4.0 | 430155 | 2 | 133996 | 1.5 | 132591 | 300 |
| 10 | 132816 | 24.2 | 132565 | 16.4 | 132840 | 4.0 | 430155 | 2 | 133995 | 1.6 | 132594 | 400 |
| 12 | 132819 | 40.0 | 132566 | 25.0 | | | | | 133997 | 1.9 | 132597 | 600 |

| Shaft Size | A | | B | | C | | D (Min.-Max.) | | E | |
|------------|-----|--------|-----|-----|--------|--------|-----------------|-----------------|-----|------|
| | STL | SSL | STL | SSL | STL | SSL | STL | SSL | STL | SSL |
| 9 | 29 | 22-1/4 | 37 | 37 | 15-1/2 | 15-1/2 | 28-3/8 - 31-5/8 | 28-3/8 - 31-5/8 | 8 | 8 |
| 10 | 30 | 23-1/4 | 40 | 40 | 17 | 17 | 31-1/4 - 34-3/4 | 31-1/4 - 34-3/4 | 9 | 9 |
| 12 | 34 | ... | 46 | ... | 18 | ... | 36-5/8 - 40-3/8 | | 10 | |

| Shaft Size | F-Bolt | | G | | H | | J | | K | | L | M |
|------------|--------|-------|-------|-------|-------|-------|----------|---------|---------|--------|----|-----------|
| | STL | SSL | STL | SSL | STL | SSL | STL | SSL | STL | SSL | XC | STL & SSL |
| 9 | 1-3/4 | 1-3/4 | 3-1/2 | 3-1/2 | 6 | 6 | 26-13/16 | 26-3/4 | 25-1/2 | 25-1/2 | 17 | 12 |
| 10 | 2 | 2 | 4 | 4 | 6-3/4 | 6-3/4 | 29-5/16 | 29-1/4 | 28-1/4 | 28-1/4 | 18 | 13-1/2 |
| 12 | 2 | | 4-1/8 | | 7 | 7 | 34-3/4 | 29-5/16 | 33-1/16 | | 20 | 16 |

| Shaft Size | N | N1 | P | | Q | R Pipe | S | T | U | U1 | V | V1 |
|------------|--------|-------|--------|--------|-----------|--------|-----------|-----------|-------|-------|-----------|-----------|
| | STL | SSL | STL | SSL | STL & SSL | XC | STL & SSL | STL & SSL | SSL | STL | STL & SSL | STL & SSL |
| 9 | 11-7/8 | 5-3/4 | 21-3/4 | 21-3/4 | 2-1/2 | 1-1/4 | 3-3/8 | 6-3/8 | 5-1/8 | 1-1/2 | 5 | 1-1/2 |
| 10 | 12-3/8 | 5-1/2 | 23-3/4 | 23-3/4 | 3 | 1-1/2 | 3-1/2 | 7 | 6-1/8 | 1-1/2 | 7 | 2 |
| 12 | | | 28-3/4 | | | 2 | | | | | | |

| Shaft Size | W | | X | Y | Z | B1 | | Thrust Collar (Dia. x Width) ● | Oil (fl. oz.) |
|------------|---------|--------|--------|-------|-----------|--------|--------|--------------------------------|---------------|
| | STL | SSL | XC | XC | STL & SSL | STL | SSL | XC | |
| 9 | 10-5/8 | 10-5/8 | 16-1/4 | 2-1/4 | 6-3/8 | 13-5/8 | 13-5/8 | 13 x 3-3/16 | 320 |
| 10 | 11 | 11 | 17-1/2 | 2-5/8 | 7 | 14-1/2 | 14-1/2 | 14-3/8 x 3-3/16 | 640 |
| 12 | 12-1/16 | | 20-1/4 | | | | | 17-1/4 x 3-1/2 | 704 |

- # Not adaptable to non-expansion
- ## One required per pillow block end
- > One required per pillow block
- >> Not furnished unless specifically ordered
- * Vibration detector adaptor kit @ 5.0 lbs. (part no. 430153) thermostat @ 2.0 lbs. (part no. 133116) to be used with heater
- Two required for each expansion block when a non-expansion block is required. Not adaptable to short Series (SSL)
- ⊗ All housings are pre-machined for accessories; thermocouples, circulating oil vibration detector, heater and thermostat
- x Assembled-to-order, Not "L" version
- + + Non-Expansion Pillow Blocks include housing, liner and two split thrust collars

| | | | |
|---------------------------------|---------------------------------|----------------------------|-------------------------------------|
| FEATURES/BENEFITS PAGE B14-3 | SPECIFICATION/HTO PAGE B14-6 | NOMENCLATURE PAGE B14-7 | SELECTION/DIMENSIONS PAGE B14-16 |
|---------------------------------|---------------------------------|----------------------------|-------------------------------------|



SELECTION/DIMENSIONS



SLEEVOIL - RTL Series 3-7/16" THRU 12" RTL SLEEVOIL PILLOW BLOCKS

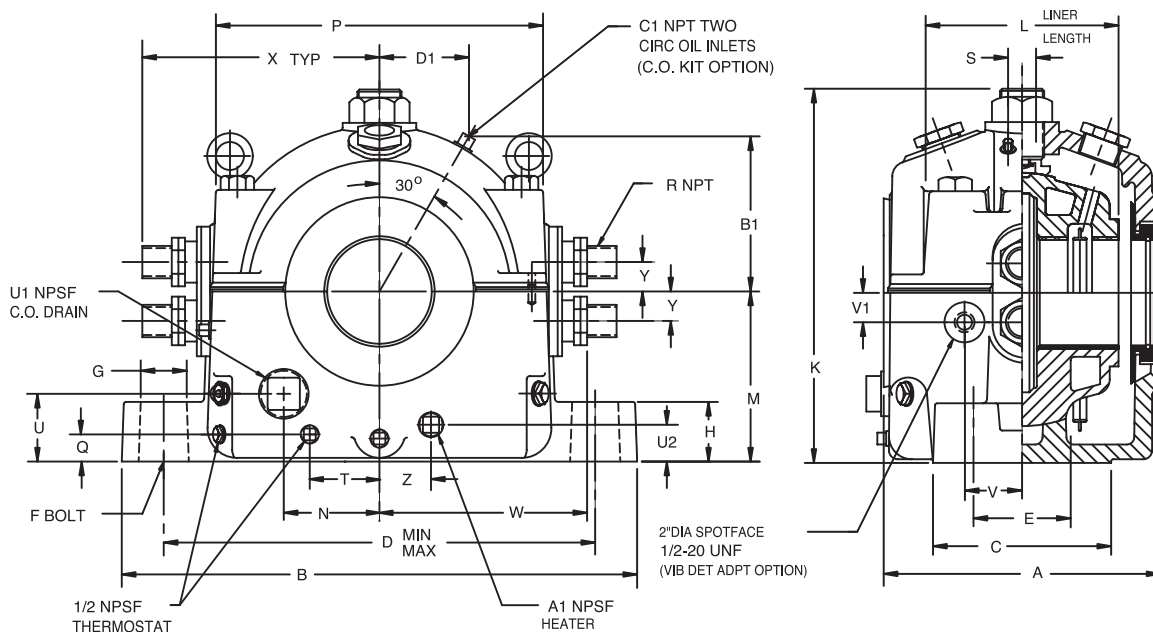
IMPERIAL - ISAF

UNIFIED SAF

International Bearings

Sleeve Bearing

SLEEVOIL



FEATURES/BENEFITS
PAGE B14-3

SPECIFICATION/HTO
PAGE B14-6

NOMENCLATURE
PAGE B14-7

SELECTION/DIMENSIONS
PAGE B14-16



SELECTION/DIMENSIONS



SLEEVOIL - RTL Series 3-7/16" THRU 12" RTL SLEEVOIL PILLOW BLOCKS

| Shaft Size | Non-Expansion Pillow Blocks ++ | | Expansion Pillow Blocks | | Required to Make-Up Non-Expansion Pillow Blocks F >> ● | | | | Optional Accessories >> * | | | | | | |
|------------|--------------------------------|------|-------------------------|------|--|------|-------------------------|------|---------------------------|------|----------------------|------|----------|-----|-------------------|
| | | | | | Thrust Plate Kits | | Split Thrust Collar ⊗ ⊗ | | Auxiliary Seal Kits # # | | Housing End Cap Kits | | Heater | | Pipe Grommet Kits |
| | Part No. | Wt. | Part No. | Wt. | Part No. | Wt. | Part No. | Wt. | Part No. | Wt. | Part No. | Wt. | Part No. | Wt. | Part No. |
| 3-7/16 | 132362 | 195 | 132474 | 190 | 132218 | 2.5 | 132151 | 2.6 | 132811 | 4.9 | 132542 | 5.3 | 132836 | 1.0 | 132645 |
| 3-15/16 | 132363 | 238 | 132475 | 230 | 132219 | 4.3 | 132152 | 4.2 | 432181 | 6.4 | 432190 | 6.1 | 132838 | 2.5 | 132646 |
| 4-7/16 | 132364 | 311 | 132476 | 300 | 132220 | 5.4 | 132153 | 5.6 | 432184 | 7.0 | 432193 | 6.8 | 132838 | 2.5 | 132646 |
| 4-15/16 | 132365 | 441 | 132477 | 425 | 132221 | 6.9 | 132154 | 8.7 | 432187 | 7.5 | 432196 | 7.3 | 132839 | 3.0 | 132647 |
| 5-7/16 | 132366 | 521 | 132383 | 500 | 132222 | 10.2 | 132155 | 10.8 | 133932 | 12.4 | 132546 | 11.6 | 132839 | 3.0 | 132647 |
| 6 | 132367 | 854 | 132384 | 825 | 132223 | 12.7 | 132156 | 15.9 | 133933 | 14.8 | 132547 | 10.6 | 132839 | 3.0 | 132647 |
| 7 | 132368 | 1018 | 132385 | 978 | 132224 | 17.6 | 132157 | 22.4 | 133937 | 19.0 | 132548 | 13.5 | 132840 | 4.0 | 132647 |
| 8 | 132369 | 1368 | 132386 | 1310 | 132225 | 23.1 | 132158 | 34.5 | 133938 | 24.9 | 132549 | 15.5 | 132840 | 4.0 | 132648 |
| 9 | 132370 | 1738 | 132387 | 1650 | 132226 | 42.6 | 132159 | 45.9 | 132814 | 23.1 | 132564 | 15.9 | 132840 | 4.0 | 132648 |
| 10 | 132371 | 2262 | 132388 | 2150 | 132227 | 52.7 | 132160 | 59.8 | 132816 | 24.2 | 132565 | 16.4 | 132840 | 4.0 | 132649 |
| 12 | 132372 | 3670 | 132389 | 3500 | 132228 | 74.1 | 132161 | 96.4 | 132819 | 40.0 | 132566 | 25.0 | 132841 | 7.5 | 132650 |

| Shaft Size | Optional Accessories >> * | | Replacement Liner Assemblies | | A | B | C | D (Max.-Min.) | E | F Dia. Bolt | G | H | K |
|------------|------------------------------|-----|------------------------------|------|--------|--------|--------|-----------------|-------|-------------|-------|-------|----------|
| | Circulating Oil Inlet Kits > | | | | | | | | | | | | |
| | Part No. | Wt. | Part No. | Wt. | | | | | | | | | |
| 3-7/16 | | | 132420 | 47 | 10 | 18-3/4 | 6 | 16-1/8 - 14-7/8 | 3 | 3/4 | 1-1/2 | 2 | 12-9/16 |
| 3-15/16 | | | 132421 | 65 | 10-3/4 | 20-3/4 | 7 | 18 - 16-1/2 | 3-1/2 | 7/8 | 1-3/4 | 2-1/4 | 13-5/8 |
| 4-7/16 | 132203 | 2 | 132422 | 82 | 11-3/4 | 21-3/4 | 7-1/2 | 18-7/8 - 17-1/8 | 4 | 1 | 2 | 2-1/2 | 15-1/4 |
| 4-15/16 | | | 132423 | 113 | 12-3/4 | 24-1/4 | 8-1/2 | 21-3/8 - 19-5/8 | 4-1/2 | 1 | 2 | 2-3/4 | 17-3/8 |
| 5-7/16 | | | 132424 | 144 | 14 | 26-3/4 | 9-1/2 | 23-1/4 - 21-1/4 | 5 | 1-1/8 | 2-1/4 | 3-1/4 | 18-7/8 |
| 6 | | | 132425 | 182 | 16 | 29 | 10-1/2 | 25-1/8 - 22-7/8 | 5-1/2 | 1-1/4 | 2-1/2 | 3-1/2 | 20-1/8 |
| 7 | | | 132426 | 257 | 18 | 33 | 12-1/2 | 28-7/8 - 26-1/8 | 6-1/2 | 1-1/2 | 3 | 4 | 22-3/8 |
| 8 | 132205 | 2 | 132427 | 412 | 19-3/4 | 38 | 14 | 33-1/8 - 29-7/8 | 7-1/2 | 1-3/4 | 3-1/2 | 4-1/2 | 25-13/16 |
| 9 | | | 132428 | 623 | 22-3/4 | 41-1/2 | 15-1/2 | 6-5/8 - 33-3/8 | 8 | 1-3/4 | 3-1/2 | 5 | 28-1/4 |
| 10 | | | 132429 | 955 | 24-1/2 | 47-1/2 | 17 | 41-7/8 - 38-1/8 | 9 | 2 | 4 | 6 | 33-7/8 |
| 12 | | | 132430 | 1405 | 29 | 49 | 18 | 43-5/8 - 41-7/8 | 10 | 2 | 3 | 6-1/2 | 37 |

| Shaft Size | L | M | N | P | Q | R | S | T | U | U1 | U2 |
|------------|--------|--------|---------|--------|-------|-------|-------|---------|---------|-------|-------|
| 3-7/16 | 6-3/4 | 5-7/8 | 3-5/8 | 11-5/8 | 1-1/8 | 3/4 | 1-3/8 | ... | 2-3/4 | 1-1/2 | 1-1/8 |
| 3-15/16 | 7-1/4 | 6-1/2 | 4-3/8 | 12-7/8 | 1-1/8 | 1 | 1-1/2 | ... | 2-15/16 | 1-1/2 | 1-1/4 |
| 4-7/16 | 8 | 7 | 4-1/2 | 13-3/4 | 1-1/4 | 1 | 1-1/2 | ... | 2-15/16 | 1-1/2 | 1-3/8 |
| 4-15/16 | 8-7/8 | 7-3/4 | 5-1/8 | 16 | 1-1/4 | 1-1/4 | 1-5/8 | ... | 3-1/4 | 2 | 1-1/2 |
| 5-7/16 | 10 | 8-3/4 | 5-3/4 | 17-1/4 | 1-5/8 | 1-1/4 | 2 | 2-15/16 | 3-3/4 | 2 | 1-7/8 |
| 6 | 10-7/8 | 9-1/2 | 6-1/4 | 18-3/4 | 1-5/8 | 1-1/4 | 2-1/8 | 3-1/2 | 4 | 2 | 1-7/8 |
| 7 | 12-1/2 | 10-3/4 | 6-7/8 | 21-1/4 | 2 | 1-1/4 | 2-1/4 | 4 | 4-1/4 | 2 | 2 |
| 8 | 14-1/8 | 12-1/4 | 8-1/2 | 24-1/4 | 2-1/4 | 2 | 2-3/8 | 5-1/2 | 4-3/4 | 2 | 2-1/4 |
| 9 | 16-1/4 | 13-1/2 | 9-3/16 | 27-1/4 | 2-1/4 | 2 | 3 | 5-1/2 | 5-1/16 | 2 | 2-1/4 |
| 10 | 17-3/4 | 16 | 11 | 31 | 2-7/8 | 2-1/2 | 3-1/8 | 8-1/2 | 5-9/16 | 2-1/2 | 2-7/8 |
| 12 | 20-3/4 | 17-3/4 | 12-7/16 | 35-1/2 | 3-1/8 | 3 | 3-1/4 | 9 | 6-1/8 | 2-1/2 | 3-1/8 |

| Shaft Size | V | V1 | W ±3/16 | X | Y | Z | A1 | B1 | C1 | D1 | Thrust Collar Dia. x Width | Oil (fl. oz.) |
|------------|-------|-------|----------|---------|-------|--------|-------|---------|-----|---------|----------------------------|---------------|
| 3-7/16 | 3-1/4 | 3/4 | 7-5/8 | 8-3/4 | 1-1/4 | 3-9/16 | 3/4 | 7-1/4 | 1/4 | 4-3/16 | 5-1/2 x 3/4 | 56 |
| 3-15/16 | 3 | 1-1/2 | 8-11/16 | 9-13/16 | 1-1/4 | 4-1/16 | 1 | 7-11/16 | 1/4 | 4-9/16 | 6-1/4 x 3/4 | 64 |
| 4-7/16 | 3-1/4 | 1-5/8 | 9-1/8 | 10-1/4 | 1-1/4 | 4-7/16 | 1 | 8-1/8 | 1/4 | 4-5/8 | 7 x 3/4 | 80 |
| 4-15/16 | 3-3/4 | 1-3/4 | 10-3/4 | 12-7/16 | 1-7/8 | 5-3/8 | 1-1/4 | 8-1/2 | 1/4 | 4-15/16 | 8 x 7/8 | 128 |
| 5-7/16 | 4 | 1-3/4 | 11-7/16 | 12-7/8 | 1-7/8 | 5-5/8 | 1-1/4 | 9-1/16 | 1/4 | 5-1/4 | 8-1/2 x 1 | 152 |
| 6 | 3-3/4 | 2 | 12-3/16 | 13-1/2 | 1-7/8 | 6-1/8 | 1-1/4 | 10-7/8 | 3/8 | 6-5/16 | 9-11/16 x 1-1/8 | 224 |
| 7 | 4-1/2 | 2 | 13-3/16 | 14-5/8 | 1-7/8 | 6-7/8 | 1-1/4 | 12-1/16 | 3/8 | 6-15/16 | 11-1/4 x 1-1/4 | 336 |
| 8 | 5 | 2 | 15-11/16 | 17-7/8 | 2-1/4 | 8-3/8 | 1-1/4 | 13-1/8 | 3/8 | 7-3/16 | 13 x 1-3/8 | 416 |
| 9 | 5-1/2 | 2 | 17-1/8 | 19-1/4 | 2-1/4 | 9-1/16 | 1-1/4 | 14-3/16 | 3/8 | 8-3/16 | 14-1/2 x 1-1/2 | 608 |
| 10 | 6 | 2 | 19-13/16 | 22-1/2 | 2-3/4 | 10-5/8 | 1-1/4 | 15-1/8 | 3/8 | 8-3/4 | 16 x 1-5/8 | 896 |
| 12 | 6-1/2 | 2 | 22 | 24-1/4 | 3-1/2 | 12-1/8 | 1-1/4 | 19-1/2 | 3/8 | 9-9/16 | 19-1/2 x 1-3/4 | 1440 |

- ## One required per pillow block end
- > One required per pillow block
- >> Not furnished unless specifically ordered
- * Vibration detector adaptor kit @ 5.0 lbs. (part no. 430153) thermostat @ 2.0 lbs. (part no. 133116) to be used with heater
- One of each required for each expansion block when a non-expansion block is required.
- ⊗ ⊗ For recessed shaft
- ++ Non-Expansion Pillow Blocks include housing, liner, thrust plate kit and one split thrust collar

All sizes are pre-machined for accessories thermocoupling, circulating oil, vibration detector, heater and thermostat

| | | | |
|---------------------------------|---------------------------------|----------------------------|-------------------------------------|
| FEATURES/BENEFITS PAGE B14-3 | SPECIFICATION/HTO PAGE B14-6 | NOMENCLATURE PAGE B14-7 | SELECTION/DIMENSIONS PAGE B14-16 |
|---------------------------------|---------------------------------|----------------------------|-------------------------------------|



SELECTION/DIMENSIONS



SLEEVOIL - RXT Series 2-15/16" THRU 12" RXT SLEEVOIL PILLOW BLOCKS

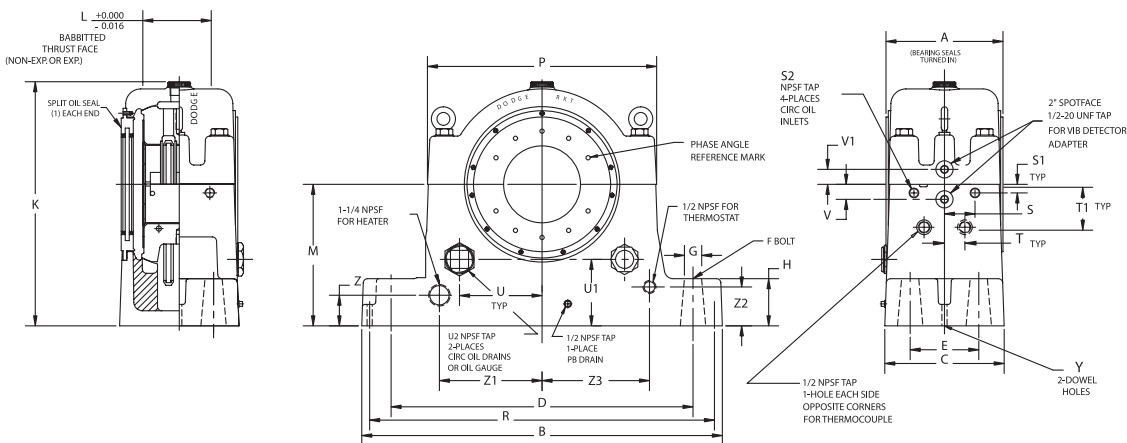
IMPERIAL - ISAF

UNIFIED SAF

International Bearings

Sleeve Bearing

SLEEVOIL



FEATURES/BENEFITS
PAGE B14-3

SPECIFICATION/HTO
PAGE B14-6

NOMENCLATURE
PAGE B14-7

SELECTION/DIMENSIONS
PAGE B14-16

SELECTION/DIMENSIONS



SLEEVOIL - RXT Series 2-15/16" THRU 12" RXT SLEEVOIL PILLOW BLOCKS

| Size | For Shaft | Oil (Gal.) | A | B | C | D | E | F Dia. Bolt | G | H | K | L | M | P | R |
|------|-----------------|------------|---------|--------|---------|--------|-------|-------------|-------|--------|---------|--------|---------|--------|--------|
| 3 | 2-15/16, 3-7/16 | 1-1/4 | 7-15/16 | 23-1/4 | 7-3/4 | 19-7/8 | 3-3/4 | 3/4 | 1-1/2 | 3 | 14-5/8 | 3-3/16 | 8-3/4 | 13-1/4 | 21 |
| 4 | 3-15/16, 4-7/16 | 1-7/8 | 9-3/16 | 26-1/4 | 9 | 22-1/4 | 4-5/8 | 1 | 2 | 3-7/8 | 17-3/8 | 4-3/16 | 10-5/8 | 15-1/4 | 24 |
| 5 | 4-15/16, 5-7/16 | 2-1/2 | 10-7/16 | 29-1/2 | 10-7/16 | 25 | 5-1/2 | 1-1/8 | 2-1/4 | 4-3/16 | 20-7/8 | 5-3/16 | 12-5/16 | 17-3/4 | 27 |
| 6 | 6, 7 | 3-1/4 | 12 | 34-1/2 | 12 | 29-1/2 | 6-1/2 | 1-1/2 | 2-5/8 | 4-1/2 | 23-1/16 | 6-1/2 | 13-1/4 | 21-1/2 | 31-1/4 |
| 8 | 8, 9 | 5-1/8 | 14-1/4 | 41-3/4 | 14-5/8 | 36 | 8 | 1-3/4 | 2-7/8 | 4-1/2 | 27-1/4 | 8-1/2 | 15-1/2 | 26-3/4 | 38 |
| 10 | 10, 12 | 7-3/4 | 17-1/4 | 49 | 17-3/4 | 42-3/4 | 10 | 2 | 3-1/8 | 5-3/8 | 31-5/8 | 11 | 17-3/4 | 32 | 44 |

| Size | For Shaft | S | S1 | S2 | T | T1 | U | U1 | U2 | V | V1 | Y | Z | Z1 | Z2 | Z3 |
|------|-----------------|--------|-------|-----|--------|--------|--------|--------|-------|-------|--------|-------|-------|--------|--------|--------|
| 3 | 2-15/16, 3-7/16 | 1-3/8 | 23/32 | 1/2 | 13/16 | 2-3/16 | 4-1/4 | 5-1/16 | 1-1/4 | | 1-5/16 | 19/32 | 1-7/8 | 5-3/4 | 3-1/4 | 5-1/2 |
| 4 | 3-15/16, 4-7/16 | 1-5/8 | 23/32 | 1/2 | 1-1/16 | 2-3/4 | 5-1/4 | 6-1/8 | 2 | | 1-1/8 | 23/32 | 2-3/8 | 6-5/8 | 3-9/16 | 6-1/2 |
| 5 | 4-15/16, 5-7/16 | 2-1/8 | 23/32 | 1/2 | 1-1/4 | 3-5/16 | 6-5/8 | 6-1/16 | 2 | | 1-3/8 | 23/32 | 2-3/8 | 7-3/4 | 3-9/16 | 8 |
| 6 | 6, 7 | 2-7/8 | 15/16 | 3/4 | 2 | 4 | 8-1/4 | 6 | 2-1/2 | 1-3/4 | | 23/32 | 2-1/8 | 5-1/4 | 3-1/4 | 9-1/4 |
| 8 | 8, 9 | 3-5/8 | 15/16 | 3/4 | 2-3/8 | 5 | 10-1/8 | 6-1/2 | 2-1/2 | 1-3/4 | | 23/32 | 3-1/8 | 11-1/2 | 4 | 11-3/4 |
| 10 | 10, 12 | 4-9/16 | 1-1/4 | 1 | 3 | 6-1/2 | 12 | 7-5/8 | 2-1/2 | 2 | | 23/32 | 3 | 14 | 4-1/8 | 14-1/2 |

| Size | For Shaft | Housing ▲▲ | | S Liner Part No. | T Liner Part No. ++ | Liner Wt. | Split Thrust Collar Kit * | Recessed Shaft Split Thrust Collar Kit >> | | Split Seal Ring ◆ | |
|------|-------------------|------------|------|------------------|---------------------|-----------|---------------------------|---|----------------------------|-----------------------------|----------|
| | | Part No. | Wt. | | | | | Split Thrust Collar Kit >> | Part No. | Fits Shaft | |
| 3 | 2-15/16 3-7/16 | 134500 | 173 | 134710 134711 | 134510 134511 | 43 | 134880 134881 | 432176 432271 | 134860 134861 134862 | 2-15/16 3-7/16 4-7/16 | |
| | | | | | | | | | | | 4 |
| 5 | 4-15/16 5-7/16 | 134502 | 440 | 134714 134715 | 134514 134515 | 144 | 134884 134885 | 432274 432275 | 134866 134867 134868 | | |
| | | | | | | | | | | 6 | 6 7 |
| 8 | 8 9 | 134504 | 1091 | 134718 134719 | 134518 134519 | 353 | 134888 134889 | 432165 432278 | 134872 134873 134874 | | |
| | | | | | | | | | | 10 | 10 12 |

Order housings, liners, and seals separately.
 #3, 4, & 5 bearing sizes have one oil ring.
 #6, 8, & 10 bearing sizes have two oil rings.

* For use with S liner only.
 Back-up shoulders are required. Contact Dodge for shaft dimensions per #C11235.

▲▲ Housings include oil ring(s), sight gauge, pipe plugs, and eye bolts.

>> For use with S liner only.
 Recessed shaft grooves are required.
 Contact Dodge for shaft dimensions per #B48371.

++ When ordering the T liner, integral thrust collars are required. Contact Dodge for exact

◆ One seal required for each end of housing

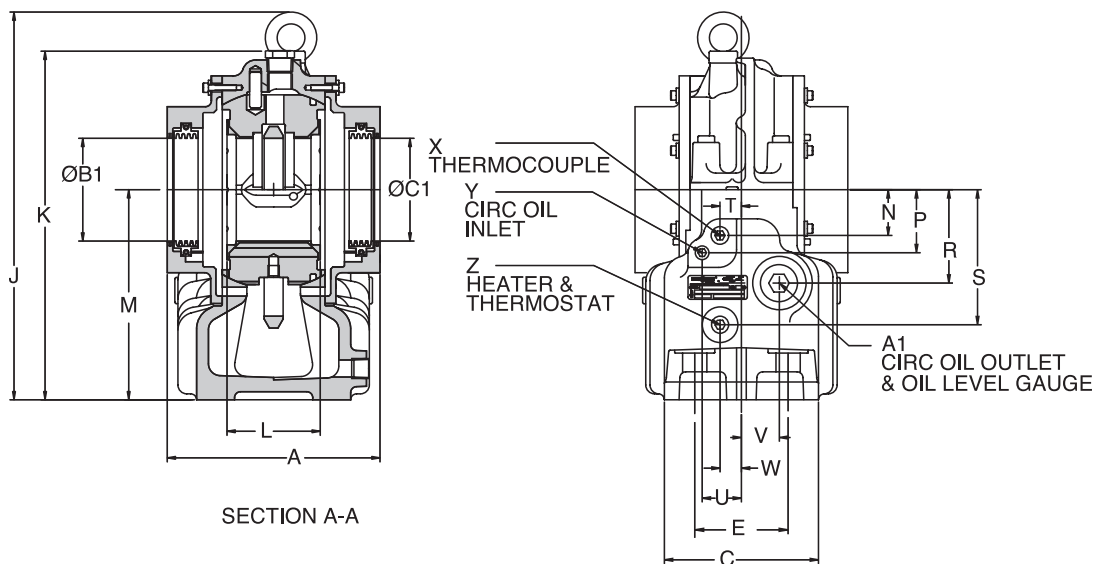
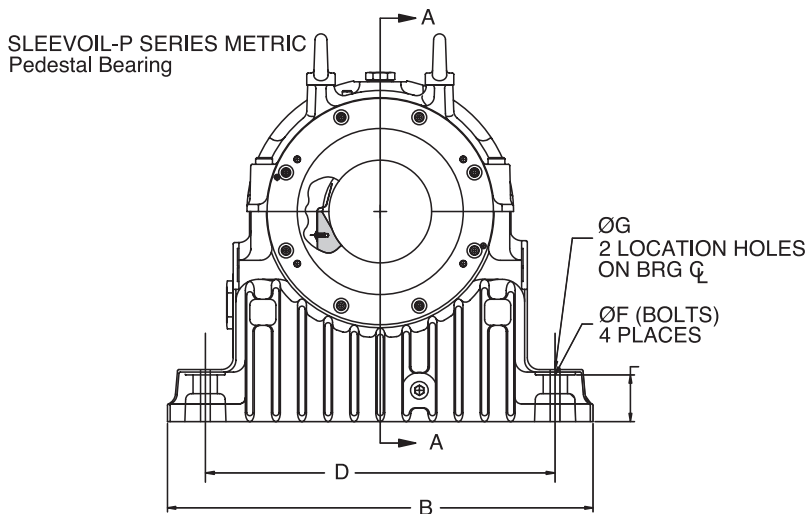
| | | | |
|---------------------------------|---------------------------------|----------------------------|-------------------------------------|
| FEATURES/BENEFITS PAGE B14-3 | SPECIFICATION/HTO PAGE B14-6 | NOMENCLATURE PAGE B14-7 | SELECTION/DIMENSIONS PAGE B14-16 |
|---------------------------------|---------------------------------|----------------------------|-------------------------------------|



SELECTION/DIMENSIONS



SLEEVOIL - P Series PEDESTAL BEARING



FEATURES/BENEFITS
PAGE B14-3

SPECIFICATION/HTO
PAGE B14-6

NOMENCLATURE
PAGE B14-7

SELECTION/DIMENSIONS
PAGE B14-16

SELECTION/DIMENSIONS



SLEEVOIL - P Series PEDESTAL BEARING

| SIZE | SHAFT SIZE | A | B | C | D | E | F | G | H | J MAX | K MAX | L | M | N | P |
|------|------------|-----|-----|-----|-----|-----|-----|------|----|-------|-------|-----|-----|-----|-----|
| 9 | 80 | 201 | 335 | 145 | 300 | 90 | 22 | 10.2 | 35 | 355 | 320 | 80 | 190 | 65 | 29 |
| | 90 | | | | | | FOR | | | | | | | | |
| | 100 | | | | | | M16 | | | | | | | | |
| 11 | 100 | 228 | 450 | 165 | 375 | 100 | 26 | 10.2 | 50 | 417 | 375 | 100 | 225 | 49 | 67 |
| | 110 | | | | | | FOR | | | | | | | | |
| | 125 | | | | | | M20 | | | | | | | | |
| 14 | 125 | 265 | 540 | 205 | 450 | 125 | 30 | 10.2 | 60 | 498 | 450 | 125 | 265 | 70 | 80 |
| | 140 | | | | | | FOR | | | | | | | | |
| | 160 | | | | | | M24 | | | | | | | | |
| 18 | 160 | 310 | 660 | 245 | 560 | 150 | 40 | 15.5 | 70 | 596 | 525 | 160 | 315 | 105 | 93 |
| | 180 | | | | | | FOR | | | | | | | | |
| | 200 | | | | | | M30 | | | | | | | | |
| 22 | 200 | 371 | 800 | 310 | 670 | 200 | 46 | 15.5 | 80 | 703 | 650 | 200 | 375 | 115 | 112 |
| | 225 | | | | | | FOR | | | | | | | | |
| | 250 | | | | | | M36 | | | | | | | | |

| SIZE | SHAFT SIZE | R | S | T | U | V | W | X | Y | Z | A1 | ⊗ B1 & ⊗ C1 |
|------|------------|-----|-----|------|------|------|------|------------------|------------------|------------------------|------------------------|-----------------|
| 9 | 80 | 85 | 127 | 23 | 38 | 16 | 23 | 1/2 - 14 NPTF | 3/8 - 18 NPTF | 1/2 - 14 NPSF | 1-1/4 - 11/12 NPTF | 80/90/100/110 |
| | 90 | | | | | | | | | | | |
| | 100 | | | | | | | | | | | |
| 11 | 100 | 100 | 145 | 23 | 42 | 41 | 23 | 1/2 - 14 NPTF | 3/8 - 18 NPTF | 1/2 - 14 NPSF | 1-1/4 - 11-1/2 NPTF | 100/110/125/140 |
| | 110 | | | | | | | | | | | |
| | 125 | | | | | | | | | | | |
| 14 | 125 | 125 | 172 | 27 | 55 | 28 | 25 | 1/2 - 14 NPTF | 3/8 - 18 NPTF | 3/4 - 14 NPSF | 1-1/2 - 11-1/2 NPTF | 125/140/160/180 |
| | 140 | | | | | | | | | | | |
| | 160 | | | | | | | | | | | |
| 18 | 160 | 155 | 203 | 30 | 68 | * 76 | 33 | 1/2 - 14 NPTF | 1/2 - 14 NPTF | 3/4 - 14 NPSF | 1-1/2 - 11-1/2 NPTF | 160/180/200/225 |
| | 180 | | | | | | | | | | | |
| | 200 | | | | | | | | | | | |
| 22 | 200 | 175 | 252 | 31.5 | 82.5 | * 63 | 44.5 | 1/2 - 14 NPTF | 3/4 - 14 NPTF | 1-1/4 - 11-1/2 NPSF | 2-1/2 - 8 NPTF | 200/225/250/280 |
| | 225 | | | | | | | | | | | |
| | 250 | | | | | | | | | | | |

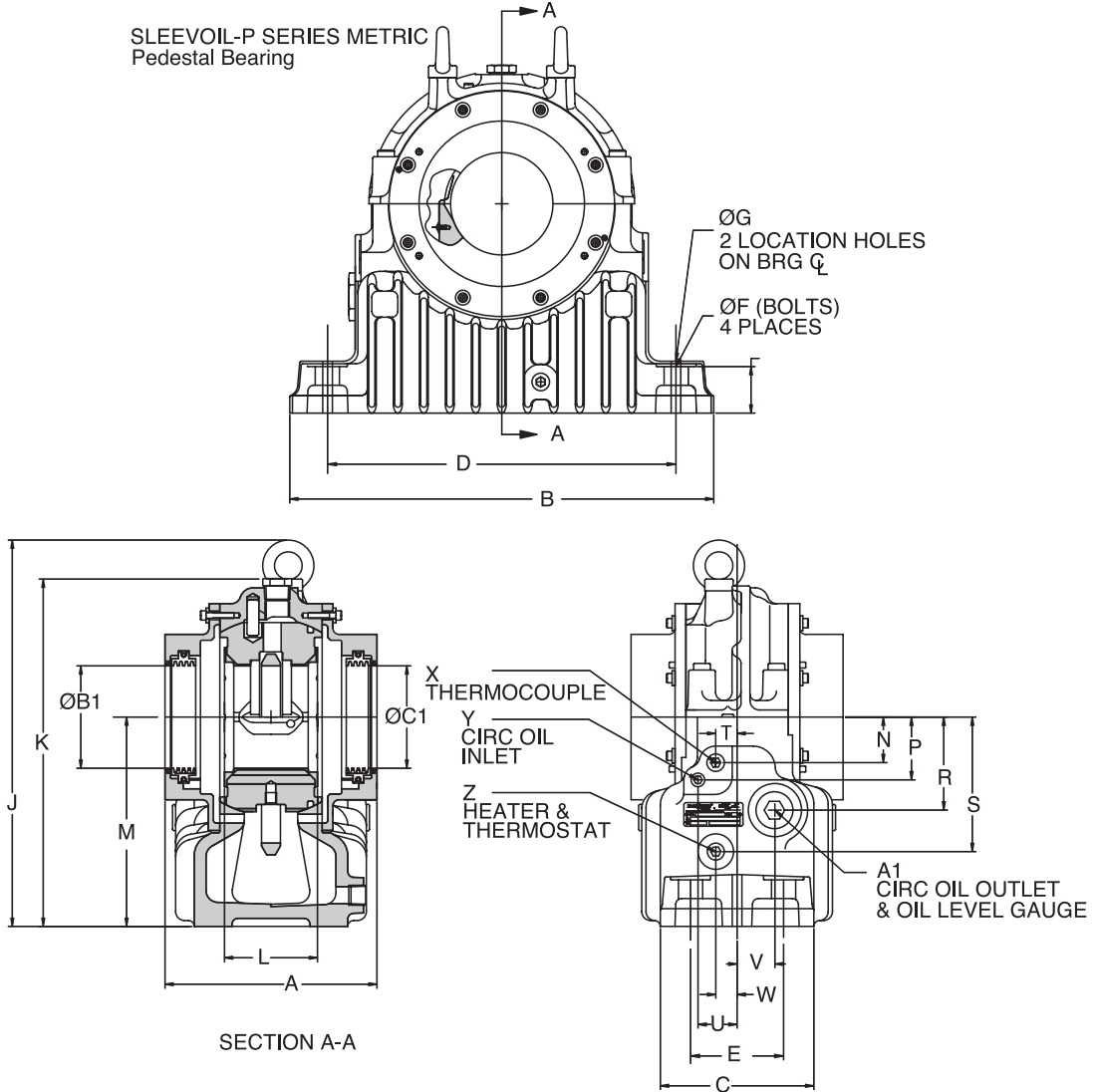
* Dimension and cir oil inlet are on the opposite side of the center line (left side)

| | | | |
|---------------------------------|---------------------------------|----------------------------|-------------------------------------|
| FEATURES/BENEFITS PAGE B14-3 | SPECIFICATION/HTO PAGE B14-6 | NOMENCLATURE PAGE B14-7 | SELECTION/DIMENSIONS PAGE B14-16 |
|---------------------------------|---------------------------------|----------------------------|-------------------------------------|

SELECTION/DIMENSIONS



SLEEVOIL - P Series Metric PEDESTAL BEARING



SELECTION/DIMENSIONS



SLEEVOIL - P Series Metric PEDESTAL BEARING

| Size | Shaft Size | Unribbed Pedestal Housing |
|------|------------|---------------------------|
| | | Part Number |
| 9 | 80 | 135444 |
| | 90 | |
| | 100 | |
| 11 | 100 | 135443 |
| | 110 | |
| | 125 | |
| 14 | 125 | 135442 |
| | 140 | |
| | 160 | |
| 18 | 160 | 135441 |
| | 180 | |
| | 200 | |
| 22 | 200 | 135445 |
| | 225 | |
| | 250 | |

| Size | Shaft Size | Oil Seal | |
|------|------------|-------------|----------------|
| | | Fixed = "X" | Floating = "F" |
| | | Part Number | Part Number |
| 9 | 80 | 134430 | 135348 |
| | 90 | 134431 | 135349 |
| | 100 | 134432 | 135350 |
| | 110 | 134433 | 135351 |
| 11 | 100 | 134434 | 135352 |
| | 110 | 134435 | 135353 |
| | 125 | 134436 | 135354 |
| | 140 | 134437 | 135355 |
| 14 | 125 | 134438 | 135356 |
| | 140 | 134439 | 135357 |
| | 160 | 134440 | 135358 |
| | 180 | 134441 | 135359 |
| 18 | 160 | 134442 | 135360 |
| | 180 | 134443 | 135361 |
| | 200 | 134444 | 135362 |
| | 225 | 134445 | 135363 |
| 22 | 200 | 134446 | 135364 |
| | 225 | 134447 | 135365 |
| | 250 | 134448 | 135366 |
| | 280 | 134449 | 135367 |

Available Options

- Split Floating Or Fixed Labyrinth Seal
- Closed-End Cover

| Size | Shaft Size | Liner Assemblies |
|------|------------|------------------|
| | | Part Number |
| 9 | 80 | 134412 |
| | 90 | 134413 |
| | 100 | 134414 |
| 11 | 100 | 134415 |
| | 110 | 134416 |
| | 125 | 134417 |
| | 14 | 134418 |
| 14 | 140 | 134419 |
| | 160 | 134420 |
| | 18 | 134421 |
| 18 | 180 | 134422 |
| | 200 | 134423 |
| | 22 | 134424 |
| 22 | 225 | 134425 |
| | 250 | 134426 |

| Size | Part Number | SLV P Series DIN OIL DAM KIT | End Cover Kits |
|------|-------------|---------------------------------|----------------|
| 9 | 135321 | SIZE 9 DIN OIL DAM KIT | 433233 |
| 11 | 135322 | SIZE 11 DIN OIL DAM KIT | 433345 |
| 14 | 135323 | SIZE 14 DIN OIL DAM KIT | 433348 |
| 18 | 135324 | SIZE 18 DIN OIL DAM KIT | 433308 |
| 22 | 135325 | SIZE 22 DIN OIL DAM KIT | |

| SLV P Series DIN Pedestal Bearing Assembly | |
|--|------------------------|
| 135880 | P9U8080F80F SLV PB |
| 135881 | P9U9090F90F SLV PB |
| 135882 | P9U100100F100F SLV PB |
| 135883 | P11U100100F100F SLV PB |
| 135884 | P11U110110F110F SLV PB |
| 135885 | P11U125125F125F SLV PB |
| 135886 | P14U125125F125F SLV PB |
| 135887 | P14U140140F140F SLV PB |
| 135888 | P14U160160F160F SLV PB |
| 135889 | P18U160160F160F SLV PB |
| 135890 | P18U180180F180F SLV PB |
| 135891 | P18U200200F200F SLV PB |
| 135892 | P22U200200F200F SLV PB |
| 135893 | P22U225225F225F SLV PB |
| 135894 | P22U250250F250F SLV PB |

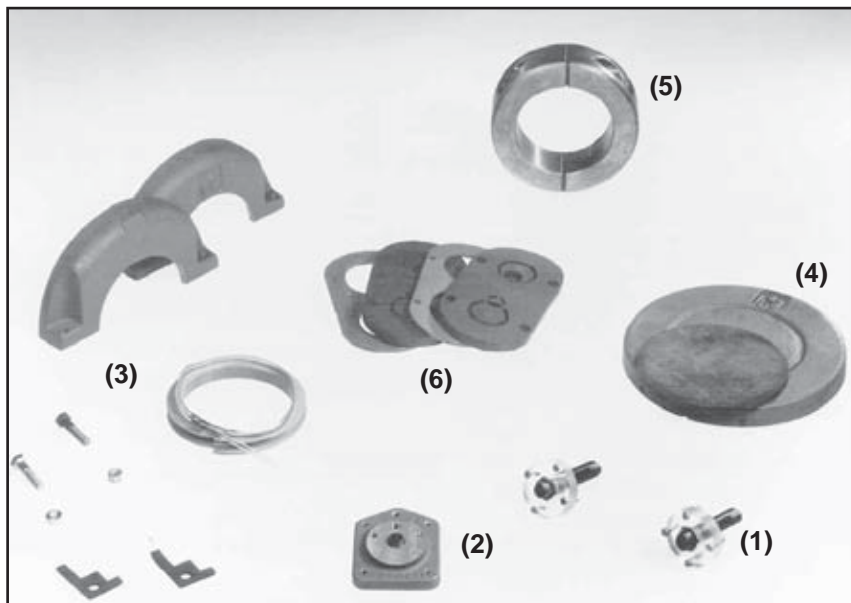
The Above Part Numbers Have Floating Seals As Standard. By Housing Size Additional Standard Seal Combinations Are Available

* Pedestal units are assembled to order, consisting of one housing, one liner and two oil seals. Oil rings are included in the housing assembly.

| | | | |
|---------------------------------|---------------------------------|----------------------------|-------------------------------------|
| FEATURES/BENEFITS PAGE B14-3 | SPECIFICATION/HTO PAGE B14-6 | NOMENCLATURE PAGE B14-7 | SELECTION/DIMENSIONS PAGE B14-16 |
|---------------------------------|---------------------------------|----------------------------|-------------------------------------|



SLEEVOIL



A number of standard options are available for all SLEEVOIL bearings (See Fig. 4). These non-standard components can be used to enhance overall bearing performance in a number of ways, including significant expansion of the bearing's operating envelope, maintaining consistent performance in extremely changeable or hostile surroundings, improved system diagnostic capabilities, and more. The ten most common options are listed below. (Note: Additional modifications can be designed for special applications.)

Thermocouple-Monitors bearing's babbitt temperature to help protect system against abnormal operating conditions.

Circulating Oil-Provides controlled delivery of oil regardless of shaft surface speed. Provides more rapid heat dissipation, constantly cleans oil, and floods bearing journal, all of which allows significantly higher speed operation. **R Series - Circulating Oil Inlet Kit (1)**

Heater & Thermoswitch - Maintains consistent bearing oil sump temperature on startup in cold environments.

Vibration Detector Kit-Attaches vibration sensors to bearing housing to allow constant monitoring of system balance. **(2)**

Auxiliary Seals-Provide additional protection from environmental contaminants and locations where high velocity air flows over the bearing. **(3)**

End Cap-Closes off bearing housing in short shafted applications. **(4)**

Hydrostatic Oil Lift-Maintains fully developed oil film by pressurized oil delivery to bearing journal load zone. Used primarily for slow speed operation or startup under extremely heavy loads

| OPTION | BEARING SERIES | | |
|----------------------|----------------|-----|---|
| | P | RTL | R |
| Thermocouple | √ | √ | √ |
| Circulating Oil | √ | √ | √ |
| Water Jacketed Liner | - | √ | √ |
| Heater & Thermostat | √ | √ | √ |
| Vibr. Detector Kit | - | √ | √ |
| Auxiliary Seals | - | √ | √ |
| End Cap Kit | √ | √ | √ |
| Air Seal | - | - | - |
| Elec. Insulation | - | √ | √ |
| Hydrostatic Oil Lift | √ | | |

Fig. 4

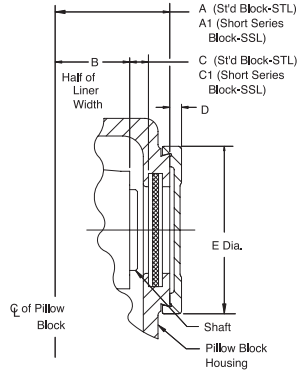
R Series - Split Thrust Collar (5)

R Series - Grommet and Grommet Plate (6)

MODIFICATIONS/ACCESSORIES



SLEEVOIL Traditional (Inch) 3-7/16" THRU 14" END CAP KITS SLEEVOIL ACCESSORIES



END CAP KIT

| Bore Size | Pillow Block Style | End Cap Kits | | | | A STL | A1 SSL | B # One Half Liner | C # STL | C1 # SSL |
|-----------|--------------------------------|---------------|---------------|---------|---------|--------|--------|--------------------|---------|----------|
| | | Part Number | Wt. | D | E | | | | | |
| 3-7/16 | Plain/Water Cooled STL and SSL | 132542 | 5.3 | 1/2 | 7-1/8 | 6-1/2 | 4-7/8 | 3-1/2 | 2-3/32 | 15/32 |
| 3-15/16 | PLXC, STL and SSL | 432190 | 6.1 | 1/2 | 8 | 7-1/2 | 5-1/2 | 4 | 2-5/8 | 5/8 |
| 4-7/16 | | 432193 | 6.8 | 1/2 | 8-3/4 | 8-1/4 | 6-1/4 | 4-1/2 | 2-23/32 | 23/32 |
| 4-15/16 | | 432196 | 7.3 | 1/2 | 9-1/8 | 9-1/8 | 6-7/8 | 5 | 3- 3/32 | 27/32 |
| 5-7/16 | | 132546 | 11.6 | 1/2 | 10-1/2 | 9-7/8 | 7-5/8 | 5-1/2 | 3-3/32 | 27/32 |
| 6 | | 132547 | 10.6 | 1/2 | 11-1/2 | 10-5/8 | 8-1/8 | 6 | 3-11/32 | 27/32 |
| 7 | | 132548 | 13.5 | 1/2 | 12-9/16 | 12-1/4 | 9-3/8 | 7 | 3-29/32 | 1-1/32 |
| 8 | | 132549 | 15.5 | 1/2 | 14-1/2 | 13-7/8 | 10-1/2 | 8 | 4-17/32 | 1- 5/32 |
| 3-7/16 | | RTL | 132542 | 5.3 | 1/2 | 7-1/8 | 5 | ... | 3-3/8 | 27/32 |
| 3-15/16 | 432190 | | 6.1 | 1/2 | 8 | 5-3/8 | ... | 3-5/8 | 29/32 | ... |
| 4-7/16 | 432193 | | 6.8 | 1/2 | 8-3/4 | 5-7/8 | ... | 4 | 1-1/32 | ... |
| 4-15/16 | 432196 | | 7.3 | 1/2 | 9-1/8 | 6-3/8 | ... | 4-7/16 | 1-3/32 | ... |
| 5-7/16 | 132546 | | 11.6 | 1/2 | 10-1/2 | 7 | ... | 5 | 1-5/32 | ... |
| 6 | 132547 | | 10.6 | 1/2 | 11-1/2 | 8 | ... | 5-7/16 | 1-11/32 | ... |
| 7 | 132548 | | 13.5 | 1/2 | 12-9/16 | 9 | ... | 6-1/4 | 1-17/32 | ... |
| 8 | 132549 | | 15.5 | 1/2 | 14-1/2 | 9-7/8 | ... | 7-1/16 | 1-19/32 | ... |
| 9 | STL Plain | 132564 | 15.9 | 1/2 | 14-1/2 | 13-7/8 | | 8 | 4-17/32 | |
| | XC | | | | | 14-1/2 | | 8-1/2 | 4-21/32 | |
| | SSL Plain | | | | | | 10-1/2 | 8 | | 1-5/32 |
| | SSL | | | | | | 11-1/8 | 8-1/2 | | 1-9/32 |
| | XC | | | | | | 11-3/8 | 8-1/8 | 2-1/32 | |
| RTL | | 13-7/8 | 8 | 4-17/32 | | | | | | |
| 10 | STL Plain | 132565 | 16.4 | 1/2 | 14-1/2 | 15 | | 9 | 4-21/32 | |
| | XC | | | | | | 10-1/2 | 8 | | 1-5/32 |
| | SSL | | | | | | 11-5/8 | 9 | | 1-9/32 |
| | Plain | | | | | | 12-1/4 | 8-7/8 | 2-1/32 | |
| | SSL | | | | | | 15 | 9 | 4-21/32 | |
| | XC | | | | | | 14-1/2 | 10-3/8 | 2-25/32 | |
| RTL | | 17 | 10 | 5-21/32 | | | | | | |
| 12 | STL Plain | 132566 | 26 | 1/2 | 18-3/4 | 15 | | 9 | 4-21/32 | |
| | RTL | | | | | 14-1/2 | | 10-3/8 | 2-25/32 | |
| 14 | STD Plain | 132567 | 26.5 | 1/2 | 18-3/4 | 17 | | 10 | 5-21/32 | |

B+C (OR B+C1) = max. shaft penetration from center line of pillow block

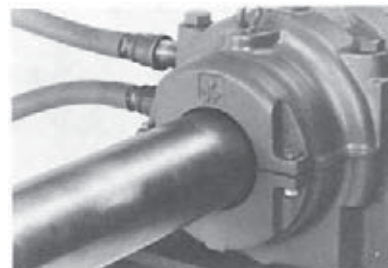
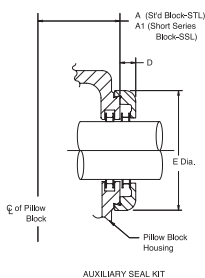
| | | | |
|---------------------------------|---------------------------------|----------------------------|-------------------------------------|
| FEATURES/BENEFITS PAGE B14-3 | SPECIFICATION/HTO PAGE B14-6 | NOMENCLATURE PAGE B14-7 | SELECTION/DIMENSIONS PAGE B14-16 |
|---------------------------------|---------------------------------|----------------------------|-------------------------------------|



MODIFICATIONS/ACCESSORIES



SLEEVOIL Traditional (Inch) 3-7/16" THRU 14" AUXILIARY SEAL KITS SLEEVOIL ACCESSORIES



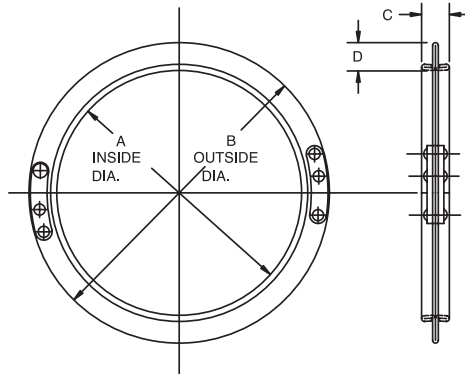
| Bore Size | Pillow Block | Auxiliary Seal Kits | | | | A STL | A1 SSL | B # One Half Liner | C # STL | C1 # SSL |
|-----------|--------------------------------|---------------------|--------|--------|---------|--------|--------|--------------------|---------|----------|
| | Style | Part Number | Wt. | D | E | | | | | |
| 3-7/16 | Plain/Water Cooled STL and SSL | 132811 | 4.9 | 15/16 | 7-1/8 | 6-1/2 | 4-7/8 | 3-1/2 | 2-3/32 | 15/32 |
| 3-15/16 | PLXC, STL and SSL | 432181 | 6.4 | 15/16 | 8 | 7-1/2 | 5-1/2 | 4 | 2-5/8 | 5/8 |
| 4-7/16 | | 432184 | 7.0 | 1 | 8-3/4 | 8-1/4 | 6-1/4 | 4-1/2 | 2-23/32 | 23/32 |
| 4-15/16 | | 432187 | 7.5 | 1 | 9-1/8 | 9-1/8 | 6-7/8 | 5 | 3-3/32 | 27/32 |
| 5-7/16 | | 133932 | 12.4 | 1-5/16 | 10-1/2 | 9-7/8 | 7-5/8 | 5-1/2 | 3-3/32 | 27/32 |
| 6 | | 133933 | 14.8 | 1-5/16 | 11-1/2 | 10-5/8 | 8-1/8 | 6 | 3-11/32 | 27/32 |
| 7 | | 133937 | 19.0 | 1-7/16 | 12-9/16 | 12-1/4 | 9-3/8 | 7 | 3-29/32 | 1-1/32 |
| 8 | | 133938 | 24.9 | 1-7/16 | 14-1/2 | 13-7/8 | 10-1/2 | 8 | 4-17/32 | 1-5/32 |
| 3-7/16 | RTL | 132811 | 4.9 | 15/16 | 7-1/8 | 5 | | 3-3/8 | 27/32 | |
| 3-15/16 | | 432181 | 6.4 | 15/16 | 8 | 5-3/8 | | 3-5/8 | 29/32 | |
| 4-7/16 | | 432184 | 7.0 | 1 | 3-3/4 | 5-7/8 | | 4 | 1-1/32 | |
| 4-15/16 | | 432187 | 7.5 | 1 | 9-1/8 | 6-3/8 | | 4-7/16 | 1-3/32 | |
| 5-7/16 | | 133932 | 12.4 | 1-5/16 | 10-1/2 | 7 | | 5 | 1-5/32 | |
| 6 | | 133933 | 14.8 | 1-5/16 | 11-1/2 | 8 | | 5-7/16 | 1-11/32 | |
| 7 | | 133937 | 19.0 | 1-7/16 | 12-9/16 | 9 | | 6-1/4 | 1-17/32 | |
| 8 | 133938 | 24.9 | 1-7/16 | 14-1/2 | 9-7/8 | | 7-1/16 | 1-19/32 | | |
| 9 | STL Plain | 132814 | 23.1 | 1-5/16 | 14-1/2 | 13-7/8 | | 8 | 4-17/32 | |
| | XC | | | | | 14-1/2 | | 8-1/2 | 4-21/32 | |
| | SSL Plain | | | | | | 10-1/2 | 8 | | 1-5/32 |
| | XC | | | | | 11-1/8 | 8-1/2 | | 1-9/32 | |
| | RTL | | | | | 11-3/8 | | 8-1/8 | 2-1/32 | |
| 10 | STL Plain | 132816 | 22 | 1-5/16 | 14-1/2 | 13-7/8 | | 8 | 4-17/32 | |
| | XC | | | | | 15 | | 9 | 4-21/32 | |
| | SSL Plain | | | | | | 10-1/2 | 8 | | 1-5/32 |
| | XC | | | | | | 11-5/8 | 9 | | 1-9/32 |
| | RTL | | | | | 12-1/4 | | 8-7/8 | 2-1/32 | |
| 12 | STL Plain | 132819 | 32 | 1-5/16 | 18-3/4 | 15 | | 9 | 4-21/32 | |
| | RTL | | | | | 14-1/2 | | 10-3/8 | 2-25/32 | |
| 14 | STD Plain | 132822 | 30 | 1-5/16 | 18-3/4 | 17 | | 10 | 5-21/32 | |

B+C (OR B+C1) = max. shaft penetration from center line of pillow block

| | | | |
|---------------------------------|---------------------------------|----------------------------|-------------------------------------|
| FEATURES/BENEFITS PAGE B14-3 | SPECIFICATION/HTO PAGE B14-6 | NOMENCLATURE PAGE B14-7 | SELECTION/DIMENSIONS PAGE B14-16 |
|---------------------------------|---------------------------------|----------------------------|-------------------------------------|



SLEEVOIL Traditional (Inch) 1-7/16" THRU 14" T SECTION OIL RING FOR SLEEVOIL STL, SSL AND RTL SERIES PILLOW BLOCKS



| Ring No. | Shaft Size | | | Part Number | Wt. | A | B | C | D |
|----------|------------|------------------|---------|---------------|------|--------|----------|------|-------|
| | Plain | PLXC or WC Rept. | RTL | | | | | | |
| 212 | 1-7/16 | ... | ... | 130063 | .10 | 2-3/4 | 3-3/8 | 5/16 | 5/16 |
| 300 | 1-11/16 | 1-11/16 | ... | 130044 | .11 | 3 | 3-5/8 | 5/16 | 5/16 |
| 304 | 1-15/16 | 1-15/16 | ... | 130045 | .12 | 3-1/4 | 3-7/8 | 5/16 | 5/16 |
| 312 | 2-3/16 | 2-3/16 | ... | 130047 | .14 | 3-3/4 | 4-3/8 | 5/16 | 5/16 |
| 404 | 2-7/16 | 2-7/16 | ... | 130049 | .15 | 4-1/4 | 4-7/8 | 5/16 | 5/16 |
| 408 | 2-11/16 | 2-11/16 | ... | 130050 | .23 | 4-1/2 | 5-3/8 | 7/16 | 7/16 |
| 412 | 2-15/16 | 2-15/16 | ... | 130051 | .25 | 4-3/4 | 5-5/8 | 7/16 | 7/16 |
| 508 | 3-7/16 | 3-7/16 | ... | 130054 | .26 | 5-1/2 | 6-3/8 | 7/16 | 7/16 |
| 600 | 3-15/16 | 3-15/16 | 3-7/16 | 130056 | .50 | 6 | 6-7/8 | 5/8 | 7/16 |
| 612 | 4-7/16 | 4-7/16 | 3-15/16 | 130057 | .55 | 6-3/4 | 7-5/8 | 5/8 | 7/16 |
| 708 | 4-15/16 | 4-15/16 | 4-7/16 | 130058 | .65 | 7-1/2 | 8-3/8 | 5/8 | 7/16 |
| 808 | 5-7/16 | 5-7/16 | 4-15/16 | 130059 | 1.10 | 8-1/2 | 9-7/16 | 3/4 | 15/32 |
| 904 | 6 | 6 | 5-7/16 | 130060 | 1.2 | 9-1/4 | 10-3/16 | 3/4 | 15/32 |
| 1000 | ... | ... | 6 | 130078 | 1.2 | 10 | 10-15/16 | 3/4 | 15/32 |
| 1012 | 7 | 7 | ... | 130062 | 1.3 | 10-3/4 | 11-11/16 | 3/4 | 15/32 |
| 1108 | 8 | 8 | 7 | 130065 | 1.5 | 11-1/2 | 12-7/16 | 3/4 | 15/32 |
| 1304 | 9, 10 | | 8 | 130066 | 1.8 | 13-1/4 | 14-3/16 | 3/4 | 15/32 |
| 1400 | ... | 9 | ... | 130067 | 1.9 | 14 | 14-15/16 | 3/4 | 15/32 |
| 1500 | ... | 10 | 9 | 130068 | 2.0 | 15 | 15-15/16 | 3/4 | 15/32 |
| 1600 | 12 | ... | ... | 130070 | 2.3 | 16 | 16-15/16 | 3/4 | 15/32 |
| 1708 | ... | 12 | 10 | 130073 | 2.4 | 17-1/2 | 18- 7/16 | 3/4 | 15/32 |
| 1812 | 14 | ... | ... | 130069 | 2.7 | 18-3/4 | 19-11/16 | 3/4 | 15/32 |
| 2000 | ... | ... | 12 | 130071 | 3.1 | 19-3/4 | 21-1/4 | 1 | 3/4 |

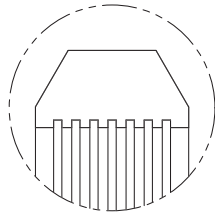
| | | | |
|---------------------------------|---------------------------------|----------------------------|-------------------------------------|
| FEATURES/BENEFITS PAGE B14-3 | SPECIFICATION/HTO PAGE B14-6 | NOMENCLATURE PAGE B14-7 | SELECTION/DIMENSIONS PAGE B14-16 |
|---------------------------------|---------------------------------|----------------------------|-------------------------------------|

MODIFICATIONS/ACCESSORIES

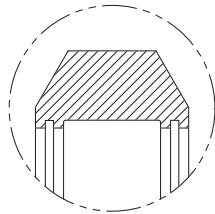
SLEEVOIL RXT Pillow Blocks

2-15/16" THRU 12" Trapezoidal Section Oil Ring

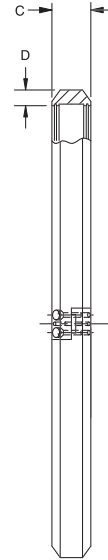
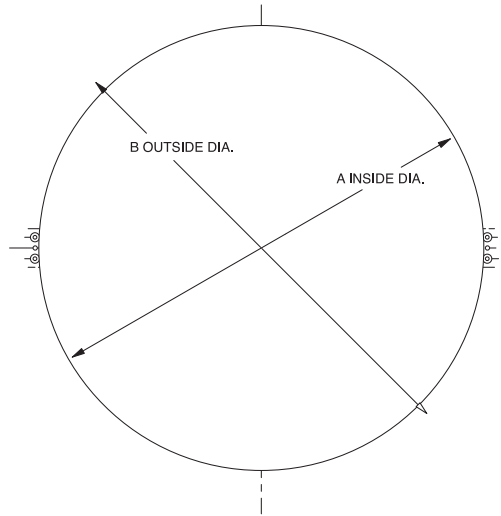
SLEEVOIL ACCESSORIES



STYLE A



STYLE B



| Ring No. | Shaft Size | Part Number | WT. (Lbs) | Style | Ø A | Ø B | C | D |
|----------|-------------------|---------------|-----------|-------|--------|--------|--------|------|
| 3 | 2-15/16 3-7/16 | 134796 | 3.38 | A | 6-3/4 | 7-3/4 | 1 | 1/2 |
| 4 | 3-15/16 4-7/16 | 134798 | 4.10 | A | 8-1/4 | 9-3/8 | 1-9/64 | 9/16 |
| 5 | 4-15/16 5-7/16 | 134800 | 5.21 | A | 10-5/8 | 11-3/4 | 1-9/64 | 9/16 |
| 6 | 6 7 | 134803 | 5.65 | B | 12-1/2 | 13-5/8 | 1-9/64 | 9/16 |
| 8 | 8 9 | 134806 | 6.89 | B | 15-1/4 | 16-3/8 | 1-9/64 | 9/16 |
| 10 | 10 12 | 134809 | 8.25 | B | 18-1/4 | 19-3/8 | 1-9/64 | 9/16 |

FEATURES/BENEFITS
PAGE B14-3

SPECIFICATION/HTO
PAGE B14-6

NOMENCLATURE
PAGE B14-7

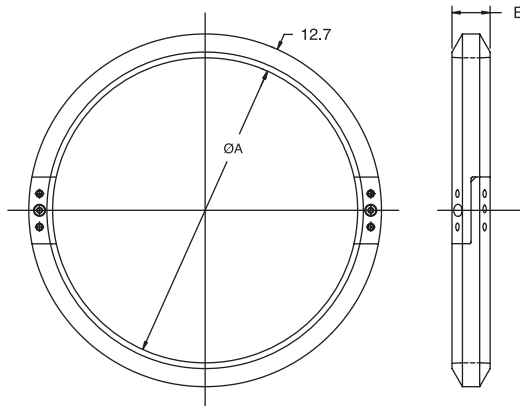
SELECTION/DIMENSIONS
PAGE B14-16



SLEEVOIL

9" THRU 22" SMOOTH BORE OIL RING DIN (METRIC) FOR SLEEVOIL P SERIES PILLOW BLOCKS

SLEEVOIL
Size 9 Thru 22 Smooth Bore Oil Ring
For Sleeveoil DIN P-Series Bearings



9" thru 22 Smooth Bore Oil Ring DIN (metric) For SLEEVOIL P Series

| Bearing Size | Part Number | Bearing (WT (Kg)) | Ø A | B |
|--------------|-------------|-------------------|-------|------|
| 9 | 135378 | 1.0 | 162.6 | 21.3 |
| 11 | 135379 | 1.2 | 190.5 | 20.3 |
| 14 | 135380 | 1.8 | 230.0 | 24.9 |
| 18 | 135381 | 5.5 | 279.9 | 29.0 |
| 22 | 135449 | 7.7 | 342.9 | 31.8 |

| | | | |
|---------------------------------|---------------------------------|----------------------------|-------------------------------------|
| FEATURES/BENEFITS PAGE B14-3 | SPECIFICATION/HTO PAGE B14-6 | NOMENCLATURE PAGE B14-7 | SELECTION/DIMENSIONS PAGE B14-16 |
|---------------------------------|---------------------------------|----------------------------|-------------------------------------|



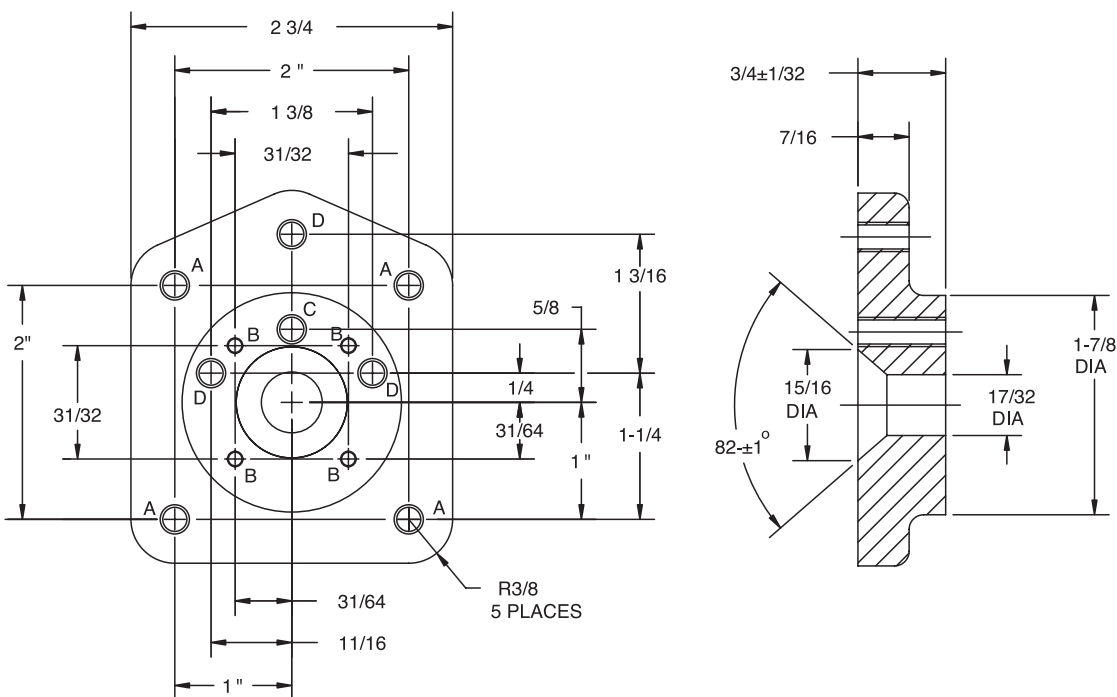
MODIFICATIONS/ACCESSORIES



SLEEVOIL

VIBRATION DETECTOR ADAPTER KIT

PART NUMBER 430153



Vibration Detector adapter Kit

Part Number 430153

SLEEVOIL Accessories

- (A) Hole 5 (.2055) Dia. Drill Thru 1/4-20 Tap Thru - A30935
- (B) Hole #32 (.116) Dia. Drill Thru 6-20 Tap Thru - A30936
- (C) Hole 7/32 Dia. Drill Thru 1/4-28 Tap Thru - A30937
- (D) Hole 5 (.2055) dia. Drill Thru 1/4-20 Tap Thru - A30938

Blank Vibration Detector Adapter Kit

Part Number 433326

SLEEVOIL Accessories

FEATURES/BENEFITS
PAGE B14-3

SPECIFICATION/HTO
PAGE B14-6

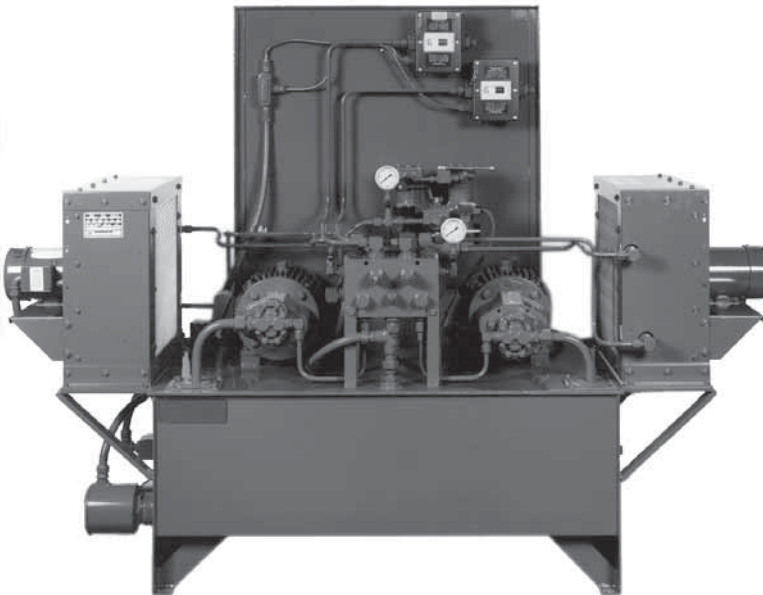
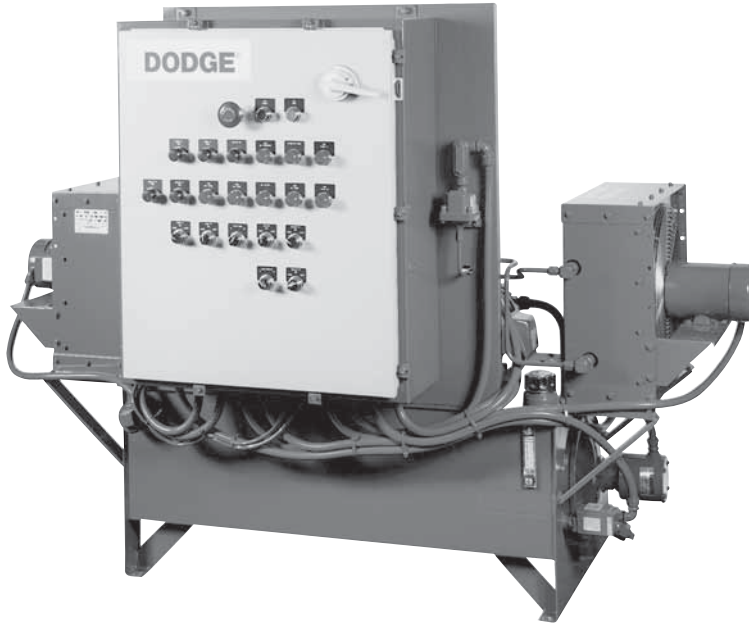
NOMENCLATURE
PAGE B14-7

SELECTION/DIMENSIONS
PAGE B14-16

MODIFICATIONS/ACCESSORIES



SLEEVOIL CIRCULATING OIL SYSTEMS



IMPERIAL - ISAF

UNIFIED SAF

International Bearings

Sleeve Bearing

SLEEVOIL

| | | | |
|---------------------------------|---------------------------------|----------------------------|-------------------------------------|
| FEATURES/BENEFITS PAGE B14-3 | SPECIFICATION/HTO PAGE B14-6 | NOMENCLATURE PAGE B14-7 | SELECTION/DIMENSIONS PAGE B14-16 |
|---------------------------------|---------------------------------|----------------------------|-------------------------------------|



SLEEVOIL CIRCULATING OIL SYSTEMS

Continuous Operation

10 to 150 Gallon Reservoirs
 Dual pumps
 Automatic switch over to stand-by pump
 Suction filters at inlet to protect pumps
 Water and Duplex and air coolers
 Inline filter
 Pump, cooler and filter can be switched without interruption
 Differential pressure measurement across filters

Complete Electrical Panel

Push Buttons, Pilot lights for normal operation and alarm conditions
 Automatic and manual operation modes
 All electrical starters for motors and heaters
 Control circuit transformer
 All logic required for stand-by pump operation switchover
 Contacts for remote signal transmission
 All necessary motor fuses and overload protectors

Startup Protection

Reservoir Heater ensures proper oil temperature
 Permissive start switch

Accurate Bearing Supply

Individual bearing flow adjustment valves
 DODGE engineered to match bearing needs
 Pressure and temperature gauges

Easy Monitoring

High temperature alarm
 Oil level alarm
 Low pressure alarm
 Reservoir sight gauge

The DODGE Circulating Oil System is custom engineered to support SLEEVOIL bearings



SLEEVOIL OIL LEVEL AND FILTRATION SYSTEM (ONE UNIT PER BEARING)



Replacement Oil
Filter Part Number 063500

Patent Number 5733048

OIL LEVEL AND FILTRATION SYSTEM (OLF SYSTEM) 60 HZ PART NUMBER IS 063575
50 HZ OLF SYSTEM PART NUMBER IS 058219

OIL LEVEL AND FILTRATION SYSTEM FITS ALL DODGE SLEEVOIL BEARINGS Oil Inlet Connections On SLEEVOIL Bearings Are:

| | |
|--|---|
| R SERIES BORE SIZES 1-7/16" - 3-7/16" ARE MACHINE READY FOR OIL LEVEL, AND LEVEL AND FILTRATION SYSTEM | |
| R SERIES BORE SIZES | NEED CIRCULATING OIL GROMMET KIT PART NUMBER |
| 3-15/16" | 432153 |
| 4-7/16"-4-15/16" | 430198 |
| 5-7/16"-12" | 430155 |
| RTL SERIES BORE SIZES | NEED CIRCULATING OIL GROMMET KIT PART NUMBER |
| 3-7/16" - 5-7/16" | 132203 |
| 6" - 12" | 132205 |

P Series Is Machined Ready For Oil Level And Level And Filtration System

| | | | |
|---------------------------------|---------------------------------|----------------------------|-------------------------------------|
| FEATURES/BENEFITS PAGE B14-3 | SPECIFICATION/HTO PAGE B14-6 | NOMENCLATURE PAGE B14-7 | SELECTION/DIMENSIONS PAGE B14-16 |
|---------------------------------|---------------------------------|----------------------------|-------------------------------------|

NOTES



IMPERIAL - ISAF

UNIFIED SAF

International Bearings

Sleeve Bearing

SLEEVOIL

CONTENTS



Take-Up Frames and Base Plates

| | |
|---------------------------------------|----------|
| Features / Benefits | B15-2 |
| How To Order | B15-6 |
| Nomenclature | B15-7 |
| Selection/Dimensions | |
| Narrow Slot | B15-8 |
| Wide Slot | B15-11 |
| ULTRA KLEEN Stainless Steel | B15-12 |
| Top Angle. | B15-15 |
| TPHU | B15-19 |
| Center Pull. | B15-21 |
| LD Protected Screw | B15-25 |
| HD Protected Screw | B15-31 |
| BRONZOIL® | B15-39 |
| Adjustable Base Plates | B15-42 |
| Part Number Index | INDEX-1 |
| Key Word Index | INDEX-34 |

Take-Up Frames

Engineering

Index

FEATURES/BENEFITS



Take-Up Frames

The flexibility of the ten basic take-up frames allow for the mounting of DODGE Ball, Roller, and Sleeve Bearings to encompass the vast range of conveyor, belt, and chain take-up applications.

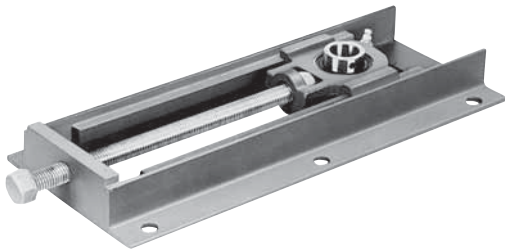
Narrow Slot Take-Up Frame - NS



Five sizes of Narrow Slot Ball Bearing Take-Up Frames-Eleven (11) take-up frames with travels of 6 to 18 inches for:

- GT & GTM Narrow Slot Take-Up Bearings from 3/4" through 2-7/16" shaft size and metric 20mm to 60mm.
- SC, VSC & SCM Ball Bearing Take-Up Bearing from 1/2" through 2-7/16" shaft size, and metric 20 mm to 60 mm.
- SXV and SXR Ball Bearing Take-Up Bearing from 3/4" through 2-7/16" shaft size.
- DL Ball Bearing Take-Up Bearing from 3/4" through 1-7/16" shaft size.
- LT700 and LT1000 SOLIDLUBE Take-Up Bearing from 3/4" through 2-1/2" shaft size.

Wide Slot Take-Up Frame - WS



Six sizes of Wide Slot Ball Bearing Take-Up Frames-Thirty (30) take-up frames with travels of 1-1/2 to 30 inches for:

- GT & GTM Wide Slot Ball Bearings from 3/4" through 3" shaft size and metric 20mm to 75mm.
- SC, VSC and SCM Wide Slot Take-Up Bearings from 1/2" through 3" shaft size, and metric 20 mm to 75 mm.
- SXV and SXR Wide Slot Take-Up Bearings from 3/4" through 2-7/16" shaft size.
- DL Ball Bearing Take-Up Bearing from 1-7/16" through 1-15/16" shaft size.
- LT700 and LT1000 SOLIDLUBE Wide Slot Take-Up Bearing from 3/4" through 3" shaft size.

Top Angle Take-Up Frame - TP



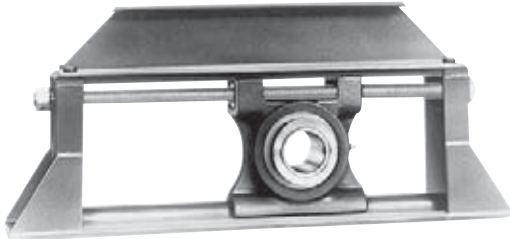
Six sizes of Top Angle Take-Up Frames-Thirty-Six (36) Take-Up frames with travels of 12 to 48 inches for:

- GLT-700 & GLT-1000 Series (SOLIDLUBE Sleeve) Take-Up bearings from 1-15/16" through 3" shaft size.
- Type H (Babbitted Sleeve) Take-Up bearings from 1-15/16" through 3-15/16" shaft size.
- Type G (SC Ball Bearing) Take-Up bearings from 1-15/16" through 2-15/16" shaft size.
- Type GXR (SXR Ball Bearing) Take-Up bearings from 1-15/16" through 2-7/16" shaft size.
- Type GM (SCM Ball Bearing) Take-Up bearings from 1-11/16" through 3-1/2" shaft size.
- Type E (Tapered Roller) Take-Up bearings from 1-3/4" through 4" shaft size.
- Type K (Tapered Roller) Take-Up bearings from 1-3/4" through 3-15/16" shaft size.
- TP S2000 (Spherical Roller) Take-Up bearings from 1-7/8" through 5" shaft size.



Take-Up Frames

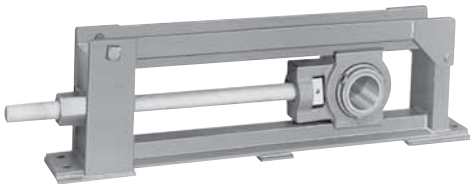
TPHU Take-Up Frame



Six sizes of TPHU Take-Up Frames-Twenty-Four (24) Take-Up frames with travels of 12 to 36 inches for:

- TPHU S-2000 (Spherical Roller) Take-Up Bearings from 1-7/8" through 4" shaft size.

Center Pull Take-Up Frame - CP



Nine sizes of Center Pull Wide Slot Take-Up Frames-Forty-five (45) take-up frames with travels of 12 to 36 inches for:

- Type E tapered wide slot bearing from 1-3/8" to 3" bore size.
- Type K tapered wide slot bearing from 1-3/8" to 3" bore size.
- S-2000 spherical wide slot bearing from 1-1/8" to 5" bore size.
- Imperial spherical wide slot bearing from 1-7/16" to 4" bore size.
- U.S. Patent No. 4,676,670

BRONZOIL Take-Up Frame - BOTU



One size of BRONZOIL® Sleeve Bearing Take-Up-The BRONZOIL Take-Up is recommended for light-to-medium loads and for use at moderate speeds; such as package conveyors, light material handling installations, or other similar applications.

There are 6 take-ups from 1/2" through 1" shaft size with 4 inch travel.

FEATURES/BENEFITS



Take-Up Frames

Light Duty Take-Up Frame - LD



Six sizes of LD Protected Screw Take-Up Frames - Forty-Six (46) take-up frames with 6 to 48 inch travel for:

- SC/SCB (Ball Bearing) pillow blocks from 1/2" through 2-15/16" bore size.
- SXR/SXRB & SXV/SXVB (Ball Bearing) pillow blocks from 1/2" through 2-7/16" bore size
- DL/DLB (Ball Bearing) pillow blocks from 3/4" through 2-15/16" bore size.
- SCM (Ball Bearing) pillow blocks from 1-7/16" through 3-1/2" bore size.
- DLM (Ball Bearing) pillow blocks from 1" through 3-7/16" bore size
- Babbitted (Sleeve) Solid Journal bearing from 1/2" through 2-15/16" bore size.
- SOLIDLUBE (Sleeve) LT700 and LT1000 Series pillow blocks from 3/4" through 3" bore size.
- SOLIDLUBE (Sleeve) LTB700 and LTB1000 Series pillow blocks from 3/4" through 2-1/2" bore size.
- UNISPHERE (Spherical Roller) two (2) bolt base pillow block from 1-7/16" through 3-1/2" bore sizes.
- Imperial (Spherical Roller) two (2) bolt base pillow block from 1-7/16" through 3-15/16" bore size.
- SCH, SCH-E SXRH, SXRH-E, DLH, DLH-E SCMH SCMH-E, DLMH, DLMH-E.
- GT/GTB (Ball Bearing) pillow blocks from 1/2" through 2-15/16" bore size
- GTM (Ball Bearing) pillow blocks from 1" through 3-7/16" bore size



Take-Up Frames

Light Duty Take-Up Frame - LD



Base Plates



Eight sizes of HD Protected Screw Take-Up Frames-Forty-One (41) take-up frames with travels from 12 to 60 inches for:

- Angle Babbitted (Sleeve) pillow blocks from 1-15/16" through 5-15/16", bore size.
- Angle Bronze Bushed (Sleeve) pillow blocks from 1-15/16" through 5-15/16", bore size.
- Type E (Taper Roller) pillow blocks from 1-1/2" through 6" bore size.
- Type K (Taper Roller) pillow blocks from 1-1/2" through 3-15/16" bore size.
- K/DI (Taper Roller) pillow blocks from 1-1/2" through 5" bore size.
- Type C (Taper Roller) pillow blocks from 1-11/16" through 5" bore size.
- Special Duty (Taper Roller) pillow blocks from 2-11/16" through 6" bore size.
- SOLIDLUBE (Sleeve) MM700 and MM1000 Series pillow blocks from 3-7/16" through 5" bore size.
- SAF-XT, TAF, ISAF, etc. (Spherical and Tapered Roller) pillow blocks from 1-15/16" through 5-1/2" bore size and larger.
- USAF, SAFS spherical pillow blocks, 2-bolt and 4-bolt from 2-7/16" through 5-1/2" bore size.
- S2000 spherical pillow blocks, 2-bolt and 4-bolt from 1-7/8" through 5" bore size.
- UNISPHERE (Spherical Roller) pillow block 2-bolt base from 1-15/16" through 4" bore sizes.
- Imperial (Spherical roller) pillow block 2-bolt and 4-bolt from 1-15/16" through 4-15/16" bore size.
- For larger bore bearings use HD600 or HD650, consult DODGE.

Adjustable base plate for adjusting shaft height for Type C, Special Duty, all Steel TAF, SAF-XT, USAF, and SAFS Pillow Blocks.

HOW TO ORDER



Take-Up Frames

There are two ways to specify DODGE Take-Up Frames. Most of the product offerings have part numbers with listings shown throughout this catalog. Use of part numbers ensures accurate order processing.

When part numbers are not shown, the product may be specified by description or part name. This method is used when ordering units that include modifications or options. To order by description, use the nomenclature key shown on page B15-7 and add any special instructions to the end of the description for options not covered by the nomenclature.

NOTE: All Take-Up Frames, except Bronzoil Take-Ups, are without the Take-Up Bearings. Thus, for a complete Take-Up; order a Take-Up Frame and Take-Up Bearing.

The HD Protected Screw Take-Up Frames

HD 200 through HD 350 Take-Up frames will accommodate pillow blocks on saddles which are slotted for two-bolt Pillow Blocks and may be ordered by part numbers. When using four-bolt Pillow Blocks; or on HD frames 400 and larger, please supply:

1. Bore size of pillow block
2. Type of block (Type E, Double Interlock, SAF-XT, etc.)
3. Whether pillow block is two-or four-bolt style
4. Frame Travel

Modifications:

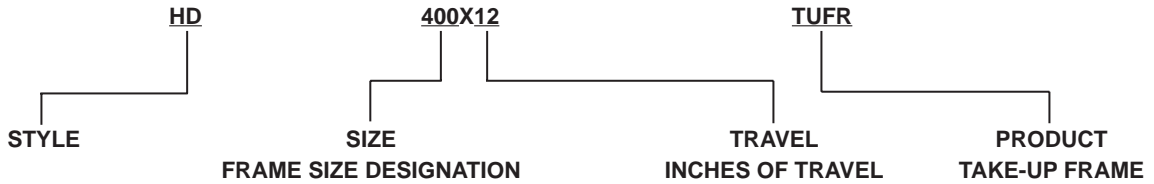
For OEM special Take-Up Frames consult DODGE.

Certain modifications are available such as Stainless Steel Screw And Hydraulically Actuated.

NOMENCLATURE



Take-Up Frames and Base Plates



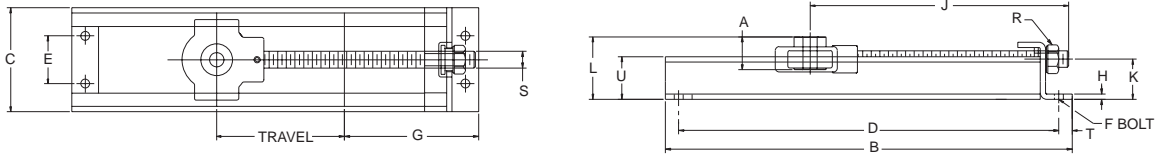
| | |
|------|--|
| CP | Center Pull Wide Slot Take-Up Frame |
| WS | Wide Slot Ball Bearing Take-Up Frame |
| NS | Narrow Slot Ball Bearing Take-Up Frame |
| LD | Light Duty Protected Screw Take-Up Frame |
| TU | Take-Up |
| HD | Heavy Duty Protected Screw Take-Up Frame |
| TP | Top Angle Take-Up Frame |
| TPHU | Top Angle Heavy Duty Universal Take-Up Frame |
| TUA | Type A Babbitted Take-Up Bearing |
| TUB | Type B Babbitted Take-Up Bearing |
| BOTU | BRONZOIL Take-Up |
| FR | Frame |
| SSS | Stainless Steel Screw |
| ABP | Adjustable Base Plates |

TU = Take-Up When Used As An Abbreviation Through This Section

SELECTION/DIMENSIONS



Take-Up Frames -NS NARROW SLOT BALL BEARING TAKE-UP FRAMES



| Frame Description | Part No. | Wt. (Lbs.) | A | B | C | D | E | F Base Bolt | | G |
|-------------------|---------------|------------|--|---------|---------|---------|-------|-------------|------|-------|
| | | | | | | | | No. | Dia. | |
| NS-210x6-TUFR | 038109 | 5.5 | See page B15-10 for list of reference pages for Take-Up Bearings | 13-5/8 | 3-13/16 | 12-1/8 | 1-5/8 | 4 | 1/2 | 4-7/8 |
| NS-308x6-TUFR | 038110 | 5.8 | | 13-5/8 | 4-11/16 | 12-1/8 | 2-1/4 | 4 | 1/2 | 5-3/8 |
| NS-308x12-TUFR | 038111 | 8.0 | | 19-5/8 | 18-1/8 | 19-1/16 | 2-1/2 | 4 | 1/2 | 6 |
| NS-400x6-TUFR | 038112 | 9.2 | | 14-9/16 | 13-1/16 | 17-1/8 | 2-1/2 | 4 | 1/2 | 6 |
| NS-400x9-TUFR | 038113 | 11.3 | | 18-5/8 | 6-1/16 | 19-1/16 | | | | |
| NS-400x12-TUFR | 038114 | 12.5 | | 20-9/16 | 26-1/8 | 19-1/16 | | | | |
| NS-400x18-TUFR | 038115 | 16.3 | | 27-5/8 | 26-1/8 | 19-1/16 | | | | |
| NS-407x9-TUFR | 038116 | 13.1 | | 19-1/8 | 6-1/2 | 17-3/8 | 2-3/4 | 4 | 5/8 | 7-1/8 |
| NS-407x18-TUFR | 038117 | 18.6 | | 28-1/8 | 26-3/8 | 17-3/8 | 3 | 4 | 5/8 | 7-3/8 |
| NS-415x9-TUFR | 038118 | 15.5 | | 19-1/8 | 7 | 26-3/8 | | | | |
| NS-415x18-TUFR | 038119 | 19.0 | 28-1/8 | | | | | | | |

| Frame Description | H | J | K | L | R Hex | S | T | U | Channel |
|-------------------|------|----------|---------|--------------------------------------|--------|--------|-----|-------|---------------------|
| NS-210x6-TUFR | 1/4 | 11-1/32 | 1-13/32 | See Table on Page B15-9 for "L" Dim. | 1-5/16 | 3/4-10 | 3/4 | 1-1/2 | 1-1/2 x 9/16 x 3/16 |
| NS-308x6-TUFR | 1/4 | 10-13/16 | 1-13/32 | | 1-5/16 | 3/4-10 | 3/4 | 1-1/2 | 1-1/2 x 9/16 x 3/16 |
| NS-308x12-TUFR | | 16-13/16 | | | | | | | |
| NS-400x6-TUFR | 1/4 | 11-1/16 | 1-7/8 | | 1-1/2 | 7/8-9 | 3/4 | 2 | 2 x 1 x 3/16 |
| NS-400x9-TUFR | | 14-1/16 | | | | | | | |
| NS-400x12-TUFR | | 17-1/16 | | | | | | | |
| NS-400x18-TUFR | | 23-1/16 | | | | | | | |
| NS-407x9-TUFR | 5/16 | 15-19/32 | 1-7/8 | | 1-5/8 | 1-8 | 1 | 2 | 2 x 1 x 3/16 |
| NS-407x18-TUFR | | 24-19/32 | | | | | | | |
| NS-415x9-TUFR | 5/16 | 15-27/32 | 1-7/8 | | 1-5/8 | 1-8 | 1 | 2 | 2 x 1 x 3/16 |
| NS-415x18-TUFR | | 24-27/32 | | | | | | | |

| | | | |
|---------------------------------|----------------------------|----------------------------|--|
| FEATURES/BENEFITS PAGE B15-2 | HOW TO ORDER PAGE B15-6 | NOMENCLATURE PAGE B15-7 | |
|---------------------------------|----------------------------|----------------------------|--|

SELECTION/DIMENSIONS



Take-Up Frames - Narrow Slot Frame L DIMENSION

| Series | Shaft Size | Take Up Frame No. Ref. | L | | | | | |
|--------|------------------------------------|------------------------|---------|---------|---------|---------|---------|---------|
| | | | SC | VSC | SXR | SXV | DL | GT |
| 204 | 1/2 5/8 3/4 | NS-210 | 2-9/64 | 2-9/64 | 2-35/64 | 2-11/32 | 2-3/16 | 2-25/64 |
| 205 | 7/8 15/16 1 | NS-210 | 2-3/16 | 2-11/64 | 2-37/64 | 2-21/64 | 2-9/32 | 2-23/64 |
| 206 | 1-1/16 1-1/8 1-3/16 1-1/4 | NS-308 | 2-11/32 | 2-5/16 | 2-21/32 | 2-15/32 | 2-7/8 | 2-31/64 |
| 207 | 1-1/4 1-5/16 1-3/8 1-7/16 | NS-308 | 2-15/32 | 2-7/16 | 2-3/4 | 2-9/16 | 2-15/32 | 2-15/32 |
| 208 | 1-1/2 1-5/8 | NS-400 | 3-1/64 | 2-31/32 | 3-11/32 | 3-5/32 | 3-1/8 | 3-1/16 |
| 209 | 1-5/8 1-11/16 1-3/4 | NS-400 | 3-3/64 | 3 | 3-11/32 | 3-5/32 | 3-1/8 | 3-1/16 |
| 210 | 1-15/16 2 | NS-400 | 3-5/64 | 3-1/32 | 3-15/32 | 3-5/32 | 3-7/32 | 3-5/64 |
| 211 | 2 2-3/16 2-1/4 | NS-407 | 3-9/64 | 3-31/32 | 3-45/64 | 3-5/16 | 3-1/4 | 3-3/32 |
| 212 | 2-1/4 2-7/16 | NS-415 | 3-15/64 | n/a | 3-29/32 | n/a | 3-1/2 | 3-7/32 |

| Series | Shaft Size | Take Up Frame No. Ref. | L | | |
|--------|------------------|------------------------|---------|---------|---------|
| | | | SCM | DLM | GTM |
| 206 | 1 | NS-308 | 2-11/32 | 2-13/32 | 2-31/64 |
| 207 | 1-3/16 1-1/4 | NS-308 | 2-31/64 | 2-15/32 | 2-15/32 |
| 208 | 1-7/16 | NS-400 | 2-31/32 | 3-1/8 | 3-1/16 |
| 209 | 1-1/2 1-5/8 | NS-400 | 3 | 3-1/8 | 3-1/16 |
| 210 | 1-11/16 1-3/4 | NS-400 | 3-1/32 | 3-7/32 | 3-5/64 |
| 211 | 1-15/16 2 | NS-407 | 3-7/64 | 3-1/4 | 3-3/32 |
| 212 | 2-3/16 2-1/4 | NS-415 | 3-3/16 | 3-1/2 | 3-7/32 |

| | | | |
|---------------------------------|----------------------------|----------------------------|--|
| FEATURES/BENEFITS PAGE B15-2 | HOW TO ORDER PAGE B15-6 | NOMENCLATURE PAGE B15-7 | |
|---------------------------------|----------------------------|----------------------------|--|

SELECTION/DIMENSIONS



Narrow Slot (NS) Take-Up Frame Bearings

NORMAL DUTY
SETSCREW - SC, VSC
D-LOK - DL
ECCENTRIC LOCK - SXR, SXV
GRIP TIGHT - GT

MEDIUM DUTY
SETSCREW - SCM
D-LOK - DLM
GRIP TIGHT - GTM

| Series | Shaft Size | Frame Size |
|--------|------------|------------|
| 204 | 1/2 | NS-210 |
| | 5/8 | |
| | 3/4 | |
| | 20mm | |
| 205 | 7/8 | NS-210 |
| | 15/16 | |
| | 1 | |
| | 25mm | |
| 206 | 1-1/16 | NS-308 |
| | 1-1/8 | |
| | 1-3/16 | |
| | 1-1/4 | |
| | 30mm | |
| 207 | 1-1/4 | NS-308 |
| | 1-5/16 | |
| | 1-3/8 | |
| | 1-7/16 | |
| | 35mm | |
| 208 | 1-1/2 | NS400 |
| | 1-5/8 | |
| | 40mm | |
| 209 | 1-5/8 | NS-400 |
| | 1-11/16 | |
| | 1-3/4 | |
| | 45mm | |
| 210 | 1-15/16 | NS-400 |
| | 2 | |
| | 50mm | |
| 211 | 2 | NS-407 |
| | 2-3/16 | |
| | 2-1/4 | |
| | 55mm | |
| 212 | 2-1/4 | NS-415 |
| | 2-7/16 | |
| | 60mm | |

- Narrow Slot Take-Up Frames Are Not Supplied With Bearings. First Match The Take-Up Frame With The Bearing Size From This Page. Then Turn To The Page Listed For The Specific Bearing Part Number.
- Grip Tight (GT and GTM) - B2-68 to B2-73
- Setscrew (SC, SCM & VSC) - B3-90 to B3-97
- Eccentric Lock (SXR and SXV) -B4-60 to B4-69
- D-LOK (DL and DLM) - B5-44 to B5-47
- Solid Lube (LT and LT1000) - B13-24
- See B15-8 For Narrow Slot Take-Up Frame Travel Options And Part Numbers

| Series | Shaft Size | Frame Size |
|--------|------------|------------|
| 206 | 1 | NS308 |
| | 25mm | |
| 207 | 1-3/16 | NS-308 |
| | 1-1/4 | |
| | 30mm | |
| 208 | 1-7/16 | NS-400 |
| | 35mm | |
| 209 | 1-1/2 | NS-400 |
| | 40mm | |
| 210 | 1-11/16 | NS-400 |
| | 1-3/4 | |
| | 45mm | |
| 211 | 1-15/16 | NS-407 |
| | 2 | |
| 212 | 50mm | NS-415 |
| | 2-3/16 | |
| | 2-1/4 | |
| | 55mm | |

FEATURES/BENEFITS
PAGE B15-2

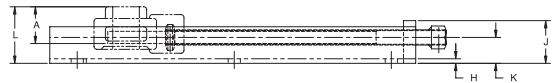
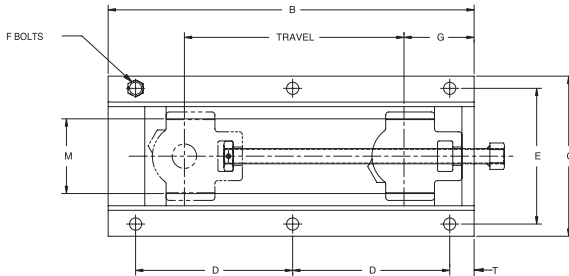
HOW TO ORDER
PAGE B15-6

NOMENCLATURE
PAGE B15-7

SELECTION/DIMENSIONS



Take-Up Frames - WS WIDE SLOT BALL BEARING TAKE-UP FRAMES



| Frame Description | Part No. | Wt. | A | B | C | D | E | F | | G | H | J | K | M | S Screw Dia. | T |
|-------------------|---------------|------|---------------------------------------|--------|---------|----------|----------|-----|------|---------|------|-------|--------|--------|--------------------|-------|
| | | | | | | | | No. | Dia. | | | | | | | |
| WS-300X1-1/2-TUFR | 038200 | 4.8 | See chart on page B15-13 for list of | 7-1/2 | 6-9/16 | 5-3/8 | 5-9/16 | 4 | 7/16 | 2-15/16 | 3/16 | 1-3/4 | 1-1/16 | 3-1/16 | 5/8 | 1 |
| WS-300X3-TUFR | 038201 | 5.5 | | 9 | | 6-7/8 | | 4 | | | | | | | | |
| WS-300X6-TUFR | 038202 | 7 | | 12 | | 4-15/16 | | 6 | | | | | | | | |
| WS-300X9-TUFR | 038203 | 8.5 | | 15 | | 6-7/16 | | 6 | | | | | | | | |
| WS-300X12-TUFR | 038204 | 10 | | 18 | | 7-15/16 | | 6 | | | | | | | | |
| WS-308X3-TUFR | 038205 | 7.5 | reference pages for Take-Up Bearings | 9-1/8 | 7-1/16 | 6-7/16 | 6-1/16 | 4 | 7/16 | 3-11/16 | 3/16 | 2 | 1-1/4 | 3-9/16 | 3/4 | 1 |
| WS-308X6-TUFR | 038206 | 9 | | 12-1/8 | | 9-7/16 | | 4 | | | | | | | | |
| WS-308X9-TUFR | 038207 | 10.5 | | 15-1/8 | | 6-7/32 | | 6 | | | | | | | | |
| WS-308X12-TUFR | 038208 | 12 | | 18-1/8 | | 7-23/32 | | 6 | | | | | | | | |
| WS-308X18-TUFR | 038209 | 15 | | 24-1/8 | | 10-23/32 | | 6 | | | | | | | | |
| WS-400X3-TUFR | 038210 | 11.5 | See Table on Page B15-12 for "L" Dim. | 10-3/4 | 8-13/16 | 8-1/2 | 7-5/16 | 4 | 1/2 | 4-5/16 | 3/16 | 2-1/4 | 1-7/16 | 4-1/16 | 1 | 1-1/8 |
| WS-400X6-TUFR | 038211 | 14 | | 13-3/4 | | 11-1/2 | | 4 | | | | | | | | |
| WS-400X9-TUFR | 038212 | 16.5 | | 16-3/4 | | 7-1/4 | | 6 | | | | | | | | |
| WS-400X12-TUFR | 038213 | 19 | | 19-3/4 | | 8-3/4 | | 6 | | | | | | | | |
| WS-400X18-TUFR | 038214 | 24 | | 25-3/4 | | 11-3/4 | | 6 | | | | | | | | |
| WS-502X6-TUFR | 038215 | 20 | See Table on Page B15-12 for "L" Dim. | 14-3/4 | 10-7/16 | 12-1/2 | 8-5/8 | 4 | 9/16 | 5-11/16 | 3/16 | 2-1/2 | 1-1/2 | 5-3/16 | 1-1/4 | 1-1/8 |
| WS-502X9-TUFR | 038216 | 23.5 | | 17-3/4 | | 15-1/2 | | 4 | | | | | | | | |
| WS-502X12-TUFR | 038217 | 27 | | 20-3/4 | | 9-1/4 | | 6 | | | | | | | | |
| WS-502X15-TUFR | 038218 | 30.5 | | 23-3/4 | | 10-3/4 | | 6 | | | | | | | | |
| WS-502X18-TUFR | 038219 | 34 | | 26-3/4 | | 12-1/4 | | 6 | | | | | | | | |
| WS-502X24-TUFR | 038220 | 41 | 32-3/4 | 15-1/4 | 6 | | | | | | | | | | | |
| WS-515X9-TUFR | 038221 | 36 | See Table on Page B15-12 for "L" Dim. | 20-7/8 | 12 | 17-1/2 | 10-1/4 | 4 | 5/8 | 6-1/2 | 1/4 | 3 | 2 | 6 | 1-1/2 | 2-1/2 |
| WS-515X12-TUFR | 038222 | 41 | | 23-7/8 | | 10-1/4 | | 6 | | | | | | | | |
| WS-515X18-TUFR | 038223 | 51 | | 29-7/8 | | 13-1/4 | | 6 | | | | | | | | |
| WS-515X24-TUFR | 038224 | 61 | | 35-7/8 | | 16-1/4 | | 6 | | | | | | | | |
| WS-515X30-TUFR | 038225 | 71 | | 41-7/8 | | 19-1/4 | | 6 | | | | | | | | |
| WS-608X12-TUFR | 038226 | 41 | See Table on Page B15-12 for "L" Dim. | 23-7/8 | 12-9/16 | 10-1/4 | 10-13/16 | 6 | 5/8 | 6-1/2 | 1/4 | 3 | 2 | 6-9/16 | 1-1/2 | 2-1/2 |
| WS-608X18-TUFR | 038227 | 51 | | 29-7/8 | | 13-1/4 | | 6 | | | | | | | | |
| WS-608X24-TUFR | 038228 | 61 | | 35-7/8 | | 16-1/4 | | 6 | | | | | | | | |
| WS-608X30-TUFR | 038229 | 71 | | 41-7/8 | | 19-1/4 | | 6 | | | | | | | | |

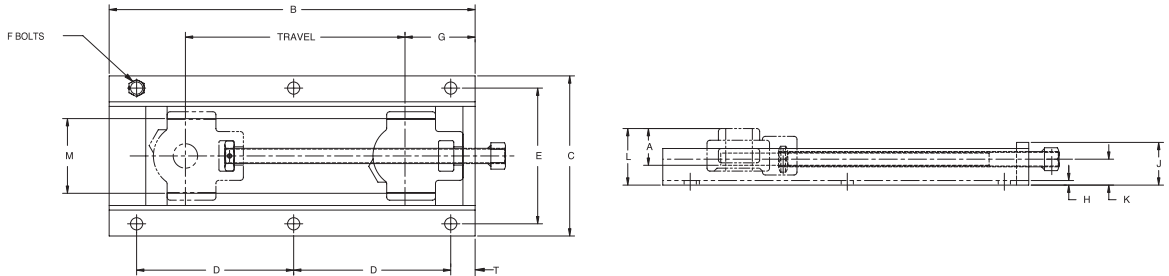
| | | | |
|---------------------------------|----------------------------|----------------------------|--|
| FEATURES/BENEFITS PAGE B15-2 | HOW TO ORDER PAGE B15-6 | NOMENCLATURE PAGE B15-7 | |
|---------------------------------|----------------------------|----------------------------|--|

SELECTION/DIMENSIONS



Take-Up Frames - WS

ULTRA KLEEN (Stainless Steel) WIDE SLOT BALL BEARING TAKE-UP FRAME



| Frame Description | Part No. | Wt. | A | B | C | D | E | F | | G | H | J | K | M | S Screw Dia. | T |
|----------------------|---------------|------|--|----------|---------|---------|--------|-----|---------|---------|------|-------|--------|--------|--------------|---|
| | | | | | | | | No. | Dia. | | | | | | | |
| WSEZ-300X3-TUFR-SSS | 038070 | 6 | | 9 | | 6-7/8 | | 4 | | | | | | | | |
| WSEZ-300X6-TUFR-SSS | 038071 | 7.9 | See page B1-74 to B1-79 for E-Z KLEEN Wide Slot Take-Up Bearings | 12 | 6-9/16 | 4-15/16 | 5-9/16 | 6 | 1/2 | 2-15/16 | 3/16 | 1-3/4 | 1-1/16 | 3-1/16 | 5/8 | 1 |
| WSEZ-300X9-TUFR-SSS | 038072 | 9.8 | | 15 | | 6-7/16 | | 6 | | | | | | | | |
| WSEZ-300X12-TUFR-SSS | 038073 | 11.7 | | 18 | 7-15/16 | 6 | | | | | | | | | | |
| WSEZ-308X3-TUFR-SSS | 038074 | 7.3 | | 9-1/8 | 6-7/16 | 4 | | | | | | | | | | |
| WSEZ-308X6-TUFR-SSS | 038075 | 9.4 | 12-1/8 | 9-7/16 | 4 | | | | | | | | | | | |
| WSEZ-308X9-TUFR-SSS | 038076 | 11.4 | 15-1/8 | 7-1/16 | 6-7/32 | 6-1/16 | 6 | 1/2 | 3-11/16 | 3/16 | 2 | 1-1/4 | 3-9/16 | 3/4 | 1 | |
| WSEZ-308X12-TUFR-SSS | 038077 | 13.4 | 18-1/8 | 7-23/32 | 6 | | | | | | | | | | | |
| WSEZ-308X18-TUFR-SSS | 038078 | 17.4 | 24-1/8 | 10-23/32 | 6 | | | | | | | | | | | |

See table on page B15-13 for "L" dimension.

FEATURES/BENEFITS
PAGE B15-2

HOW TO ORDER
PAGE B15-6

NOMENCLATURE
PAGE B15-7

SELECTION/DIMENSIONS



Take-Up Frames - Wide Slot Frame L DIMENSION

| Series | Shaft Size | Take Up Frame No. Ref. | L | | | | |
|--------|------------------------------------|------------------------|---------|---------|---------|---------|---------|
| | | | VSC SC | SXR | SXV | DL | GT |
| 204 | 1/2 5/8 3/4 | WS-300 | 1-51/64 | 2-1/8 | 1-63/64 | 1-27/32 | 2-3/64 |
| 205 | 7/8 15/16 1 | WS-300 | 1-53/64 | 2-9/64 | 1-63/64 | 1-15/16 | 2-1/64 |
| 206 | 1-1/16 1-1/8 1-3/16 1-1/4 | WS-308 | 2-5/32 | 2-7/16 | 2-19/64 | 2-1/4 | 2-21/64 |
| 207 | 1-1/4 1-5/16 1-3/8 1-7/16 | WS-308 | 2-9/32 | 2-35/64 | 2-13/32 | 2-5/16 | 2-5/16 |
| 208 | 1-1/2 1-5/8 | WS-400 | 2-17/32 | 2-13/64 | 2-17/32 | 2-11/16 | 2-5/8 |
| 209 | 1-5/8 1-11/16 1-3/4 | WS-400 | 2-9/16 | 2-13/16 | 2-23/32 | 2-11/16 | 2-5/8 |
| 210 | 1-15/16 2 | WS-400 | 2-19/32 | 2-13/16 | 2-23/32 | 2-25/32 | 2-41/64 |
| 211 | 2 2-3/16 2-1/4 | WS-502 | 2-23/32 | 3-47/64 | 2-15/16 | 2-7/8 | 2-23/32 |
| 212 | 2-1/4 2-7/16 | WS-502 | 2-13/16 | 3-11/32 | n/a | 3-1/8 | 2-27/32 |
| 215 | 2-15/16 | WS-515 | 3-15/32 | 3-21/32 | n/a | 3-1/2 | 3-43/64 |

| Series | Shaft Size | Take Up Frame No. Ref. | L | | |
|--------|------------------|------------------------|---------|---------|---------|
| | | | SCM | DLM | GTM |
| 206 | 1 | WS-308 | 2-5/32 | 2-1/4 | 2-21/64 |
| 207 | 1-3/16 1-1/4 | WS-308 | 2-9/32 | 2-5/16 | 2-5/16 |
| 208 | 1-7/16 | WS-400 | 2-17/32 | 2-11/16 | 2-5/8 |
| 209 | 1-1/2 | WS-400 | 2-9/16 | 2-11/16 | 2-5/8 |
| 210 | 1-11/16 1-3/4 | WS-400 | 2-19/32 | 2-25/32 | 2-41/64 |
| 211 | 1-15/16 2 | WS-502 | 2-23/32 | 2-7/8 | 2-23/32 |
| 212 | 2-3/16 2-1/4 | WS-502 | 2-13/16 | 3-1/8 | 2-27/32 |
| 214 | 2-7/16 2-1/2 | WS-515 | 3-7/16 | 3-3/4 | 3-33/64 |
| 215 | 2-11/16 | WS-515 | 3-15/32 | 3-1/2 | 3-43/64 |
| 216 | 2-15/16 3 | WS-608 | 3-1/2 | 3-41/64 | 3-55/64 |

| | | | |
|---------------------------------|----------------------------|----------------------------|--|
| FEATURES/BENEFITS PAGE B15-2 | HOW TO ORDER PAGE B15-6 | NOMENCLATURE PAGE B15-7 | |
|---------------------------------|----------------------------|----------------------------|--|

SELECTION/DIMENSIONS



Wide Slot (WS) Take-Up Frame Bearings

NORMAL DUTY
SETSCREW - SC, VSC
D-LOK - DL
ECCENTRIC LOCK - SXR, SXV
GRIP TIGHT - GT

| Series | Shaft Size | Frame Size |
|--------|------------|------------|
| 204 | 1/2 | WS-300 |
| | 5/8 | |
| | 3/4 | |
| | 20mm | |
| 205 | 7/8 | WS-300 |
| | 15/16 | |
| | 1 | |
| 206 | 25mm | WS-308 |
| | 1-1/16 | |
| | 1-1/8 | |
| | 1-3/16 | |
| 207 | 1-1/4 | WS-308 |
| | 1-5/16 | |
| | 1-3/8 | |
| | 1-7/16 | |
| 208 | 35mm | WS-400 |
| | 1-1/2 | |
| 209 | 1-5/8 | WS-400 |
| | 40mm | |
| | 1-5/8 | |
| 210 | 1-11/16 | WS-400 |
| | 1-3/4 | |
| | 45mm | |
| 211 | 1-15/16 | WS-502 |
| | 2 | |
| 212 | 50mm | WS-502 |
| | 2 | |
| | 2-3/16 | |
| 214 | 2-1/4 | WS-515 |
| | 55mm | |
| 215 | 2-1/4 | WS-515 |
| | 2-7/16 | |
| 216 | 60mm | WS-608 |
| | 2-1/2 | |
| 217 | 2-11/16 | WS-515 |
| | 70mm | |
| 218 | 2-15/16 | WS-515 |
| | 75mm | |

- Wide Slot Take-Up Frames Are Not Supplied With Bearings. First Match The Take-Up Frame With The Bearing Size From This Page. Then Turn To The Page Listed For The Specific Bearing Part Number.
- EZ-KLEEN Polymer Housing - B1-74
- Grip Tight (GT & GTM) - B2-74 to B2-81
- Setscrew (SC, SCM & VSC) - B3-98 to B3-109
- Eccentric Lock (SXR and SXV) - B4-64 to B4-77
- D-LOK (DL and DLM) - B5-48 to B5-51
- Solid Lube (LT and LT1000) - B14-26
- See B15-11 For Wide Slot Take-Up Frame Travel Options And Part Numbers

MEDIUM DUTY
SETSCREW - SCM, VSC
D-LOK - DLM
GRIP TIGHT - GTM

| Series | Shaft Size | Frame Size |
|--------|------------|------------|
| 206 | 1 | WS-308 |
| | 25mm | |
| 207 | 1-3/16 | WS-308 |
| | 1-1/4 | |
| 208 | 30mm | WS-400 |
| | 1-7/16 | |
| 209 | 35mm | WS-400 |
| | 1-1/2 | |
| 210 | 40mm | WS-400 |
| | 1-11/16 | |
| | 1-3/4 | |
| 211 | 45mm | WS-502 |
| | 1-15/16 | |
| 212 | 2 | WS-502 |
| | 50mm | |
| 214 | 2-3/16 | WS-515 |
| | 2-1/4 | |
| 215 | 55mm | WS-515 |
| | 2-7/16 | |
| 216 | 2-1/2 | WS-608 |
| | 2-11/16 | |
| | 70mm | |
| 217 | 2-15/16 | WS-608 |
| | 3 | |
| 218 | 75mm | WS-608 |
| | 3 | |

FEATURES/BENEFITS
PAGE B15-2

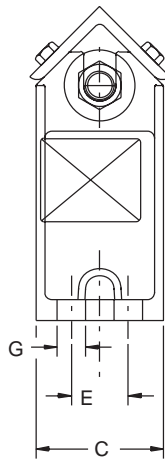
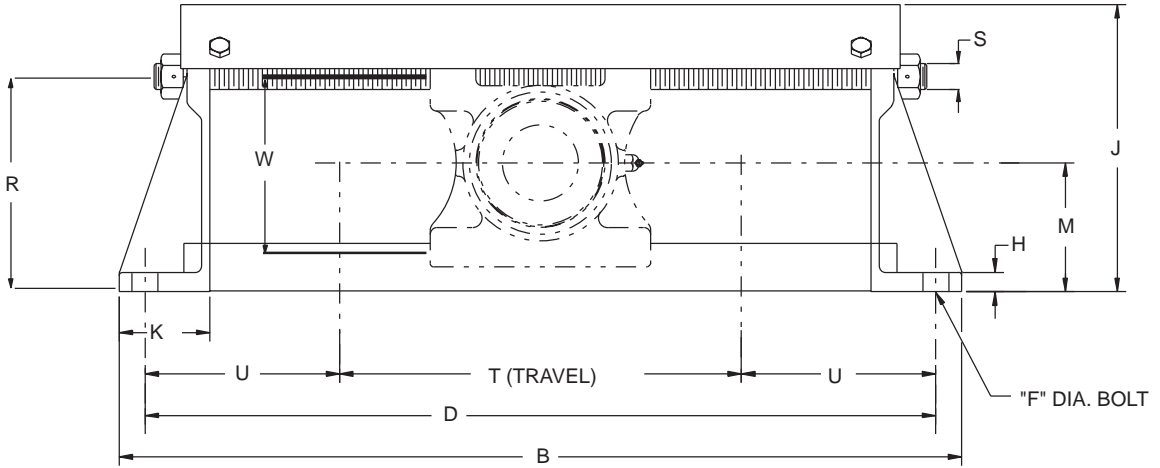
HOW TO ORDER
PAGE B15-6

NOMENCLATURE
PAGE B15-7

SELECTION/DIMENSIONS



Take-Up Frames - TP TOP ANGLE PROTECTED SCREW TAKE-UP FRAMES



Take-Up Frames

Engineering

Index

| | | | |
|---|------------------------------------|------------------------------------|--|
| <p>FEATURES/BENEFITS PAGE B15-2</p> | <p>HOW TO ORDER PAGE B15-6</p> | <p>NOMENCLATURE PAGE B15-7</p> | |
|---|------------------------------------|------------------------------------|--|

SELECTION/DIMENSIONS



Take-Up Frames - TP

TOP ANGLE PROTECTED SCREW TAKE-UP FRAMES

| Frame Size | Nominal Travel | Part No. | Wt. | B | C | D | E | F Bolt Dia. | G | H |
|------------|----------------|---------------|-----|--------|-------|--------|-------|-------------|--------|-----|
| TP10 | 12 | 036350 | 32 | 28-1/2 | 3-1/2 | 26-1/2 | - | 5/8 | 1 | 3/4 |
| | 18 | 036351 | 36 | 34-1/2 | | 32-1/2 | | | | |
| | 24 | 036352 | 41 | 40-1/2 | | 38-1/2 | | | | |
| TP20 | 12 | 036353 | 34 | 29-1/2 | 3-1/2 | 27-1/2 | - | 5/8 | 1 | 3/4 |
| | 18 | 036354 | 39 | 35-1/2 | | 33-1/2 | | | | |
| | 24 | 036355 | 43 | 41-1/2 | | 39-1/2 | | | | |
| TP30 | 12 | 036356 | 47 | 30-1/2 | 4 | 28-1/2 | - | 3/4 | 1-5/16 | 3/4 |
| | 18 | 036357 | 54 | 36-1/2 | | 34-1/2 | | | | |
| | 24 | 036358 | 60 | 42-1/2 | | 40-1/2 | | | | |
| TP40 | 12 | 036359 | 52 | 32-1/2 | 4-1/2 | 30-1/2 | 2 | 5/8 | 1 | 3/4 |
| | 18 | 036360 | 60 | 38-1/2 | | 36-1/2 | | | | |
| | 24 | 036361 | 66 | 44-1/2 | | 42-1/2 | | | | |
| TP50 | 12 | 036362 | 63 | 34-1/2 | 4-1/2 | 32 | 2 | 3/4 | 1 | 3/4 |
| | 18 | 036363 | 70 | 40-1/2 | | 32 | | | | |
| | 24 | 036364 | 79 | 46-1/2 | | 44 | | | | |
| TP60 | 12 | 036365 | 84 | 38-1/2 | 5-1/2 | 36 | 2-1/2 | 3/4 | 1 | 3/4 |
| | 18 | 036366 | 92 | 44-1/2 | | 42 | | | | |
| | 24 | 036367 | 102 | 50-1/2 | | 48 | | | | |

| Frame Size | Nominal Travel | Part No. | J | K | M | R | S Screw Dia. | T | U | W |
|------------|----------------|---------------|---------|-------|---------|----------|--------------|--------|-------|---------|
| TP10 | 12 | 036350 | 8-1/2 | 3 | 3-15/16 | 6-11/32 | 3/4 | 14-1/2 | 6 | 5-5/32 |
| | 18 | 036351 | | 3 | | | | 20-1/2 | | |
| | 24 | 036352 | | 3 | | | | 26-1/2 | | |
| TP20 | 12 | 036353 | 9-1/8 | 3 | 4-3/16 | 6-31/32 | 3/4 | 15 | 6-1/4 | 5-25/32 |
| | 18 | 036354 | | 3 | | | | 21 | | |
| | 24 | 036355 | | 3 | | | | 27 | | |
| TP30 | 12 | 036356 | 10-1/8 | 3-1/2 | 4-3/8 | 7-3/8 | 1 | 14-1/2 | 7 | 6-3/16 |
| | 18 | 036357 | | 3-1/2 | | | | 20-1/2 | | |
| | 24 | 036358 | | 3-1/2 | | | | 26-1/2 | | |
| TP40 | 12 | 036359 | 11-1/16 | 3-1/2 | 4-15/16 | 8-3/8 | 1 | 15-1/2 | 7-1/2 | 7-3/16 |
| | 18 | 036360 | | 3-1/2 | | | | 21-1/2 | | |
| | 24 | 036361 | | 3-1/2 | | | | 27-1/2 | | |
| TP50 | 12 | 036362 | 12-1/2 | 4 | 5-7/16 | 9-13/32 | 1-1/4 | 15 | 8-1/2 | 8-7/32 |
| | 18 | 036363 | | 4 | | | | 21 | | |
| | 24 | 036364 | | 4 | | | | 27 | | |
| TP60 | 12 | 036365 | 14-1/4 | 4-1/2 | 7 | 11-11/32 | 1-1/4 | 16-1/2 | 9-5/8 | 8-29/32 |
| | 18 | 036366 | | 4-1/2 | | | | 22-1/2 | | |
| | 24 | 036367 | | 4-1/2 | | | | 28-1/2 | | |

| | | | |
|---------------------------------|----------------------------|----------------------------|--|
| FEATURES/BENEFITS PAGE B15-2 | HOW TO ORDER PAGE B15-6 | NOMENCLATURE PAGE B15-7 | |
|---------------------------------|----------------------------|----------------------------|--|



Top Angle (TP) Take-Up Frame Bearings

BALL BEARINGS

NORMAL DUTY
SETSCREW - SC, VSC
D-LOK - DL
ECCENTRIC LOCK - SXR, SXV
GRIP TIGHT-GT

| Series | Shaft Size | Frame Size |
|--------|-----------------|------------|
| 210 | 1-15/16 2 | TP-10 |
| 211 | 2-3/16 2-1/4 | TP-20 |
| 212 | 2-7/16 | TP-30 |
| 215 | 2-15/16 | TP-40 |

- Top Angle Take-Up Frames Are Not Supplied With Bearings. First Match The Take-Up Frame With The Bearing Size From This Page. Then Turn To The Page Listed For The Specific Bearing Part Number.
- Grip Tight (GT & GTM) - B2-82 to B2-85
- Setscrew (SC, SCM & VSC) - B3-110 to B3-113
- Eccentric Lock (SXR and SXV) - B4-68 to B4-69
- D-LOK (DL and DLM) - B5-52 to B5-55
- See B15-15 and B15-16 For Top Angle Take-Up Frame Travel Options And Part Numbers.

MEDIUM DUTY
SETSCREW - SCM
D-LOK - DLM
GRIP TIGHT - GTM

| Series | Shaft Size | Frame Size |
|--------|------------------|------------|
| 210 | 1-11/16 1-3/4 | TP-10 |
| 211 | 1-15/16 2 | TP-20 |
| 212 | 2-3/16 2-1/4 | TP-30 |
| 214 | 2-7/16 2-1/2 | TP-40 |
| 215 | 2-11/16 | TP-40 |
| 216 | 2-15/16 3 | TP-50 |
| 218 | 3-7/16 3-1/2 | TP-60 |

TAPERED ROLLER BEARINGS

TYPE E

| Shaft Size | Frame Size |
|------------------------------------|------------|
| 1-3/4 1-7/8 1-15/16 2 | TP-10 |
| 2-3/16 2-1/4 | TP-20 |
| 2-7/16 2-1/2 | TP-30 |
| 2-11/16 2-3/4 2-15/16 3 | TP-40 |
| 3-3/16 3-1/4 3-7/16 3-1/2 | TP-50 |
| 3-15/16 4 | TP-60 |

- Top Angle Take-Up Frames Are Not Supplied With Bearings. First Match The Take-Up Frame With The Bearing Size From This Page. Then Turn To The Page Listed For The Specific Bearing Part Number.
- Type E - B6-32
- Type K - B6-42
- See B15-15 and B15-16 For Top Angle Take-Up Frame Travel Options And Part Numbers.

TYPE K

| Shaft Size | Frame Size |
|------------------------------------|------------|
| 1-3/4 1-15/16 2 | TP-10 |
| 2-3/16 2-1/4 2-7/16 2-1/2 | TP-20 |
| 2-11/16 2-3/4 2-15/16 3 | TP-30 |
| 2-11/16 2-3/4 2-15/16 3 | TP-40 |
| 3-3/16 3-7/16 3-1/2 | TP-50 |
| 3-15/16 | TP-60 |

| | | | |
|---------------------------------|----------------------------|----------------------------|--|
| FEATURES/BENEFITS PAGE B15-2 | HOW TO ORDER PAGE B15-6 | NOMENCLATURE PAGE B15-7 | |
|---------------------------------|----------------------------|----------------------------|--|

SELECTION/DIMENSIONS



Top Angle (TP) Take-Up Frame Bearings

SPHERICAL ROLLER BEARINGS

S-2000

| Shaft Size | Frame Size |
|-------------------------|------------|
| 1-15/16 2 | TP-10 |
| 2-3/16 | TP-30 |
| 2-7/16 | TP-40 |
| 2-11/16 2-15/16 3 | TP-40 |
| 3-7/16 | TP-50 |
| 3-15/16 | TP-60 |

- Top Angle Take-Up Frames Are Not Supplied With Bearings. First Match The Take-Up Frame With The Bearing Size From This Page. Then Turn To The Page Listed For The Specific Bearing Part Number.
- S-2000- B8-40
- See B15-15 and B15-16 For Top Angle Take-Up Frame Travel Options And Part Numbers.

SLEEVE BEARINGS

SOLID LUBE BEARING

LT-700

LT-1000

| Shaft Size | Frame Size |
|-----------------|------------|
| 1-15/16 2 | TP-10 |
| 2-3/16 | TP-20 |
| 2-7/16 2-1/2 | TP-30 |
| 2-15/16 3 | TP-40 |

- Top Angle Take-Up Frames Are Not Supplied With Bearings. First Match The Take-Up Frame With The Bearing Size From This Page. Then Turn To The Page Listed For The Specific Bearing Part Number.
- SOLIDLUBE Sleeve Bearing (LT7 & LT10) - B13-14
- Type H Babbitted Bearing - B13-48
- See B15-15 and B15-16 For Top Angle Take-Up Frame Travel Options And Part Numbers.

BABBITTED BEARING

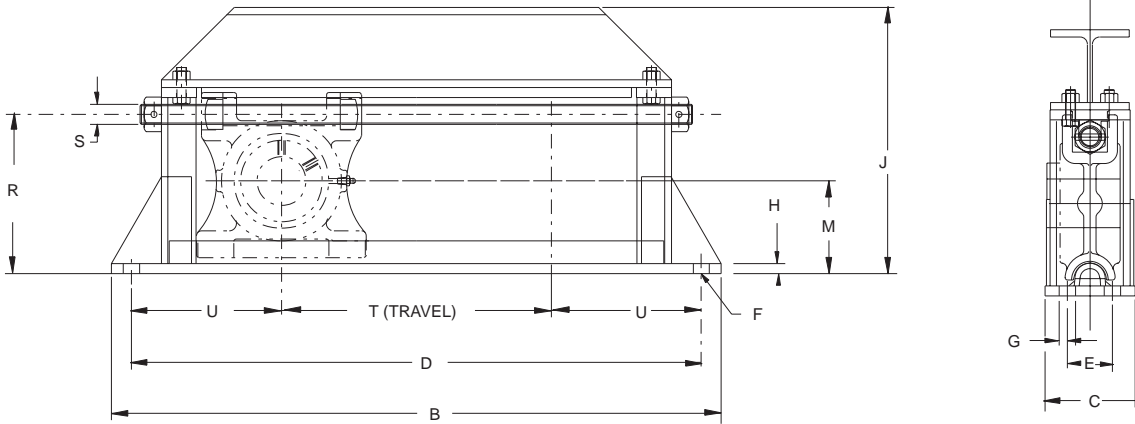
TYPE H

| Shaft Size | Frame Size |
|------------|------------|
| 1-15/16 | TP-10 |
| 2-3/16 | TP-10 |
| 2-7/16 | TP-30 |
| 2-15/16 | TP-30 |
| 3-7/16 | TP-50 |
| 3-15/16 | TP-50 |

SELECTION/DIMENSIONS



Take-Up Frames - TPHU



| Shaft Size | Frame Size | Nom. Travel | Part No. | Wt. | B | C | D | E | F Bolt Dia | G |
|------------|------------|-------------|---------------|-----|--------|-------|--------|-------|------------|-------|
| 1-7/8 | TPHU110 | 12 | 013497 | 58 | 29-1/2 | 3-1/2 | 27-1/2 | - | 5/8 | 11/16 |
| 1-15/16 | | 18 | 013498 | 70 | 35-1/2 | | 33-1/2 | | | |
| 2 | | 24 | 013499 | 82 | 41-1/2 | | 39-1/2 | | | |
| 2-3/16 | TPHU120 | 12 | 013900 | 71 | 29-1/2 | 4-1/2 | 27-1/2 | - | 5/8 | 11/16 |
| 2-1/4 | | 18 | 013901 | 85 | 35-1/2 | | 33-1/2 | | | |
| | | 24 | 013902 | 99 | 41-1/2 | | 39-1/2 | | | |
| 2-3/8 | TPHU130 | 12 | 013903 | 73 | 30-1/2 | 4-1/2 | 28-1/2 | - | 3/4 | 13/16 |
| 2-7/16 | | 18 | 013904 | 86 | 36-1/2 | | 34-1/2 | | | |
| 2-1/2 | | 24 | 013905 | 99 | 42-1/2 | | 40-1/2 | | | |
| 2-11/16 | TPHU140 | 12 | 013906 | 80 | 32-1/2 | 4-1/2 | 30-1/2 | 2 | 5/8 | 11/16 |
| 2-3/4 | | 18 | 013907 | 93 | 38-1/2 | | 36-1/2 | | | |
| 2-15/16 | | 24 | 013908 | 106 | 44-1/2 | | 42-1/2 | | | |
| 3 | | 30 | 013909 | 119 | 50-1/2 | | 48-1/2 | | | |
| | | 36 | 013910 | 132 | 56-1/2 | | 54-1/2 | | | |
| 3-3/16 | TPHU150 | 12 | 013511 | 91 | 34-1/4 | 4-1/2 | 32 | 2 | 3/4 | 13/16 |
| 3-1/4 | | 18 | 013512 | 105 | 40-1/4 | | 38 | | | |
| 3-7/16 | | 24 | 013513 | 119 | 46-1/4 | | 44 | | | |
| 3-1/2 | | 30 | 013514 | 133 | 52-1/4 | | 50 | | | |
| | | 36 | 013515 | 147 | 58-1/4 | | 56 | | | |
| 3-11/16 | TPHU160 | 12 | 013916 | 132 | 38-1/2 | 5-1/2 | 36 | 2-1/2 | 3/4 | 13/16 |
| 3-15/16 | | 18 | 013917 | 150 | 44-1/2 | | 42 | | | |
| | | 24 | 013918 | 168 | 50-1/2 | | 48 | | | |
| 4 | | 30 | 013519 | 186 | 56-1/2 | | 54 | | | |
| | | 36 | 013520 | 204 | 62-1/2 | | 60 | | | |

| | | | |
|---------------------------------|----------------------------|----------------------------|--|
| FEATURES/BENEFITS PAGE B15-2 | HOW TO ORDER PAGE B15-6 | NOMENCLATURE PAGE B15-7 | |
|---------------------------------|----------------------------|----------------------------|--|

SELECTION/DIMENSIONS



Take-Up Frames - TPHU

| Shaft Size | Frame Size | Nom. Travel | Part No. | H | J | M | R | S Screw Dia. | T Max. Travel | U |
|------------------------------------|------------|-------------|---------------|-----|----------|---------|---------|--------------|---------------|-------|
| 1-7/8 1-15/16 2 | TPHU110 | 12 | 013497 | 1/2 | 10-5/8 | 3-15/16 | 6-5/16 | 3/4 | 13-1/2 | 7-3/4 |
| | | 18 | 013498 | | | | | | 19-1/2 | |
| | | 24 | 013499 | | | | | | 25-1/2 | |
| 2-3/16 2-7/16 2-1/4 | TPHU120 | 12 | 013900 | 1/2 | 11-1/4 | 4-7/16 | 7-7/16 | 1 | 13-1/2 | 7 |
| | | 18 | 013901 | | | | | | 19-1/2 | |
| | | 24 | 013902 | | | | | | 25-1/2 | |
| 2-3/8 2-7/16 2-1/2 | TPHU130 | 12 | 013903 | 1/2 | 11-3/4 | 4-5/8 | 7-61/64 | 1 | 13-1/2 | 7-1/2 |
| | | 18 | 013904 | | | | | | 19-1/2 | |
| | | 24 | 013905 | | | | | | 25-1/2 | |
| 2-11/16 2-3/4 2-15/16 3 | TPHU140 | 12 | 013906 | 3/4 | 12-5/16 | 5-1/8 | 8-1/2 | 1 | 15-1/2 | 7-1/2 |
| | | 18 | 013907 | | | | | | 21-1/2 | |
| | | 24 | 013908 | | | | | | 27-1/2 | |
| | | 30 | 013909 | | | | | | 33-1/2 | |
| 3-3/16 3-1/4 3-7/16 3-1/2 | TPHU150 | 12 | 013511 | 3/4 | 13-27/32 | 5-5/8 | 9-23/32 | 1-1/4 | 15-1/2 | 8-1/4 |
| | | 18 | 013512 | | | | | | 21-1/2 | |
| | | 24 | 013513 | | | | | | 27-1/2 | |
| | | 30 | 013514 | | | | | | 33-1/2 | |
| 3-11/16 3-15/16 4 | TPHU160 | 12 | 013916 | 1 | 17 | 7 | 11-5/8 | 1-1/4 | 16-1/2 | 9-3/4 |
| | | 18 | 013917 | | | | | | 22-1/2 | |
| | | 24 | 013918 | | | | | | 28-1/2 | |
| | | 30 | 013519 | | | | | | 34-1/2 | |
| | | 36 | 013520 | | | | | | 40-1/2 | |

SPHERICAL ROLLER BEARINGS

S-2000

| Shaft Size | Frame Size |
|-------------------------|------------|
| 1-15/16 2 | TPHU-110 |
| 2-3/16 | TPHU-120 |
| 2-7/16 | TPHU-130 |
| 2-11/16 2-15/16 3 | TPHU-140 |
| 3-7/16 | TPHU-150 |
| 3-15/16 | TPHU-160 |

- TPHU Take-Up Frames Are Not Supplied With Bearings. First Match The Take-Up Frame With The Bearing Size From This Page. Then Turn To The Page Listed For The Specific Bearing Part Number.
- S-2000- B8-40
- See B15-19 and B15-20 For TPHU Take-Up Frame Travel Options And Part Numbers.

FEATURES/BENEFITS
PAGE B15-2

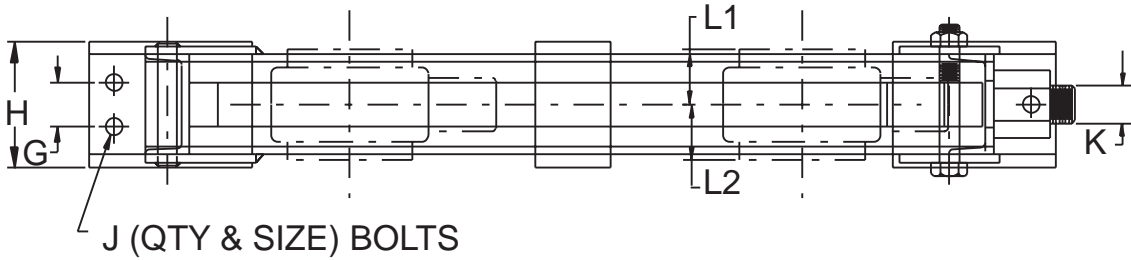
HOW TO ORDER
PAGE B15-6

NOMENCLATURE
PAGE B15-7

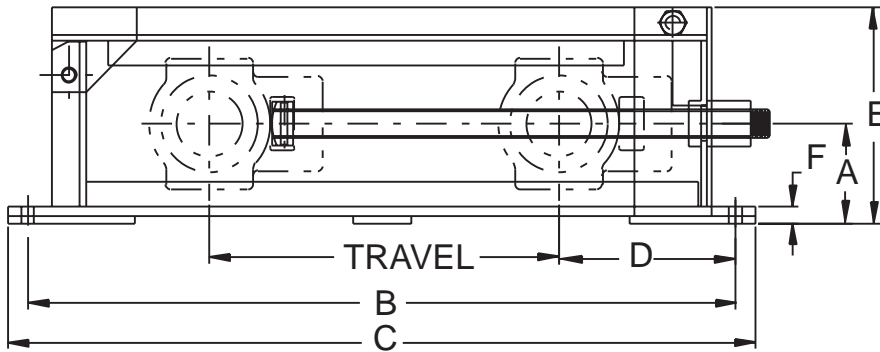
SELECTION/DIMENSIONS



Take-Up Frames - CP CENTER PULL (CP)



U.S. Patent No. 4,676,670



Take-Up Frames

Engineering

Index

| | | | |
|---------------------------------|----------------------------|----------------------------|--|
| FEATURES/BENEFITS PAGE B15-2 | HOW TO ORDER PAGE B15-6 | NOMENCLATURE PAGE B15-7 | |
|---------------------------------|----------------------------|----------------------------|--|

SELECTION/DIMENSIONS



Take-Up Frames - CP CENTER PULL (CP)

| Frame Size | Travel | Frame Part Number | Frame Weight | Travel | | A | B | C | D | | E | F | G | H | J | | K | L1 & L2 |
|------------|--------|-------------------|--------------|----------|------------|---------|--------|--------|----------------|------------|---------|--------|-------|----|------|-----------|----------------|-----------------|
| | | | | Maximum | | | | | S2000 Imperial | Type K & E | | | | | Qty. | Size Dia. | | |
| | | | | S2 & IP | Type E & K | | | | | | | | | | | | | |
| CP308 | 12 | 019200 | 30 | 15-15/32 | 15-15/32 | 3-7/16 | 26 | 28 | 6 | 6 | 7 | 11/16 | .. | 3 | 2 | 1/2 | 3/4-10NC | |
| CP308 | 18 | 019201 | 34 | 21-15/32 | 21-15/32 | | 32 | 64 | | | | | | | | | 3/4-10NC | |
| CP308 | 24 | 019202 | 38 | 27-15/32 | 27-15/32 | | 38 | 40 | | | | | | | | | 3/4-10NC | |
| CP308 | 30 | 019203 | 42 | 33-15/32 | 33-15/32 | | 44 | 46 | | | | | | | | | 3/4-10NC | |
| CP308 | 36 | 019204 | 46 | 39-15/32 | 39-15/32 | | 50 | 52 | | | | | | | | | 3/4-10NC | |
| CP400 | 12 | 019210 | 55 | 14-27/32 | 14-23/32 | 3-15/16 | 27-1/2 | 29-1/2 | 7-1/4 | 7-1/4 | 8-5/8 | 13/16 | .. | 4 | 2 | 5/8 | 1-8NC | |
| CP400 | 18 | 019211 | 65 | 20-27/32 | 20-23/32 | | 33-1/2 | 35-1/2 | | | | | | | | | 1-8NC | |
| CP400 | 24 | 019212 | 75 | 26-27/32 | 26-23/32 | | 39-1/2 | 41-1/2 | | | | | | | | | 1-8NC | |
| CP400 | 30 | 019213 | 85 | 32-27/32 | 32-23/32 | | 45-1/2 | 47-1/2 | | | | | | | | | 1-8NC | |
| CP400 | 36 | 019214 | 95 | 38-27/32 | 38-23/32 | | 51-1/2 | 53-1/2 | | | | | | | | | 1-8NC | |
| CP408 | 12 | 019220 | 61 | 14-5/32 | 14-3/32 | 4-7/16 | 27-1/2 | 29-1/2 | 7-3/4 | 7-3/4 | 9-1/4 | 11/16 | .. | 4 | 2 | 5/8 | 1-1/8-7NC | |
| CP408 | 18 | 019221 | 71 | 20-5/32 | 20-3/32 | | 33-1/2 | 35-1/2 | | | | | | | | | 1-1/8-7NC | |
| CP408 | 24 | 019222 | 81 | 26-5/32 | 26-3/32 | | 39-1/2 | 41-1/2 | | | | | | | | | 1-1/8-7NC | |
| CP408 | 30 | 019223 | 85 | 32-5/32 | 32-3/32 | | 45-1/2 | 47-1/2 | | | | | | | | | 1-1/8-7NC | |
| CP408 | 36 | 019224 | 95 | 38-5/32 | 38-3/32 | | 51-1/2 | 53-1/2 | | | | | | | | | 1-1/8-7NC | |
| CP502 | 12 | 019230 | 65 | 14-13/32 | 12-31/32 | 4-3/8 | 28-1/2 | 30-1/2 | 8-1/4 | 9-9/16 | 9-1/2 | 13/16 | .. | 4 | 2 | 3/4 | 1-1/4-7NC | |
| CP502 | 18 | 019231 | 75 | 20-13/32 | 18-31/32 | | 34-1/2 | 36-1/2 | | | | | | | | | 1-1/4-7NC | |
| CP502 | 24 | 019232 | 85 | 26-13/32 | 24-31/32 | | 40-1/2 | 42-1/2 | | | | | | | | | 1-1/4-7NC | |
| CP502 | 30 | 019233 | 95 | 32-13/32 | 30-31/32 | | 46-1/2 | 48-1/2 | | | | | | | | | 1-1/4-7NC | |
| CP502 | 36 | 019234 | 105 | 38-13/32 | 36-31/32 | | 52-1/2 | 54-1/2 | | | | | | | | | 1-1/4-7NC | |
| CP515 | 12 | 019240 | 105 | 14-23/32 | 14-15/32 | 5-1/8 | 30-1/2 | 32-1/2 | 9-1/4 | 9-3/8 | 11-5/32 | 7/8 | 2 | 5 | 4 | 5/8 | 1-1/2-6NC | See Page B15-23 |
| CP515 | 18 | 019241 | 120 | 20-23/32 | 20-15/32 | | 36-1/2 | 38-1/2 | | | | | | | | | 1-1/2-6NC | |
| CP515 | 24 | 019242 | 135 | 26-23/32 | 26-15/32 | | 42-1/2 | 44-1/2 | | | | | | | | | 1-1/2-6NC | |
| CP515 | 30 | 019243 | 150 | 32-23/32 | 32-15/32 | | 48-1/2 | 50-1/2 | | | | | | | | | 1-1/2-6NC | |
| CP515 | 36 | 019244 | 165 | 38-23/32 | 38-15/32 | | 54-1/2 | 56-1/2 | | | | | | | | | 1-1/2-6NC | |
| CP613 | 12 | 019250 | 115 | 15-1/32 | - | 5-5/8 | 32 | 34-1/4 | 9-7/8 | - | 12-1/16 | 15/16 | 2 | 5 | 4 | 3/4 | 1-3/4-5NC | |
| CP613 | 18 | 019251 | 135 | 21-1/32 | - | | 38 | 40-1/4 | | | | | | | | | 1-3/4-5NC | |
| CP613 | 24 | 019252 | 155 | 27-1/32 | - | | 44 | 46-1/4 | | | | | | | | | 1-3/4-5NC | |
| CP613 | 30 | 019253 | 175 | 33-1/32 | - | | 50 | 52-1/4 | | | | | | | | | 1-3/4-5NC | |
| CP613 | 36 | 019254 | 195 | 39-1/32 | - | | 56 | 58-1/4 | | | | | | | | | 1-3/4-5NC | |
| CP810 | 12 | 019260 | 185 | 16-9/32 | - | 7 | 36 | 38-1/2 | 12 | - | 14-3/4 | 1-3/16 | 2-1/2 | 6 | 4 | 3/4 | 2-4-1/2-NC | |
| CP810 | 18 | 019261 | 210 | 22-9/32 | - | | 42 | 44-1/2 | | | | | | | | | 2-4-1/2-NC | |
| CP810 | 24 | 019262 | 235 | 28-9/32 | - | | 48 | 50-1/2 | | | | | | | | | 2-4-1/2-NC | |
| CP810 | 30 | 019263 | 260 | 34-9/32 | - | | 54 | 56-1/2 | | | | | | | | | 2-4-1/2-NC | |
| CP810 | 36 | 019264 | 285 | 40-9/32 | - | | 60 | 62-1/2 | | | | | | | | | 2-4-1/2-NC | |
| CP908 | 12 | 019270 | 280 | 17-31/32 | - | 7-1/2 | 40-3/4 | 45-3/4 | 13-1/2 | - | 16-1/16 | 1-1/4 | 5 | 9 | 4 | 1-1/8 | 2-4-1/2-NC | |
| CP908 | 18 | 019271 | 310 | 23-31/32 | - | | 46-3/4 | 51-3/4 | | | | | | | | | 2-4-1/2-NC | |
| CP908 | 24 | 019272 | 340 | 29-31/32 | - | | 52-3/4 | 57-3/4 | | | | | | | | | 2-4-1/2-NC | |
| CP908 | 30 | 019273 | 370 | 35-31/32 | - | | 58-3/4 | 63-3/4 | | | | | | | | | 2-4-1/2-NC | |
| CP908 | 36 | 019274 | 400 | 41-31/32 | - | | 64-3/4 | 69-3/4 | | | | | | | | | 2-4-1/2-NC | |
| CP1004 | 12 | 019280 | 370 | 18-29/32 | - | 8-1/8 | 44-1/2 | 49-1/2 | 15-3/8 | - | 17-5/16 | 1-1/2 | 5-1/2 | 10 | 4 | 1-1/8 | 2-1/4-4-1/2-NC | |
| CP1004 | 18 | 019281 | 400 | 24-29/32 | - | | 50-1/2 | 55-1/2 | | | | | | | | | 2-1/4-4-1/2-NC | |
| CP1004 | 24 | 019282 | 430 | 30-29/32 | - | | 56-1/2 | 61-1/2 | | | | | | | | | 2-1/4-4-1/2-NC | |
| CP1004 | 30 | 019283 | 460 | 36-29/32 | - | | 62-1/2 | 67-1/2 | | | | | | | | | 2-1/4-4-1/2-NC | |
| CP1004 | 36 | 019284 | 490 | 42-29/32 | - | | 68-1/2 | 73-1/2 | | | | | | | | | 2-1/4-4-1/2-NC | |

| | | | |
|---------------------------------|----------------------------|----------------------------|--|
| FEATURES/BENEFITS PAGE B15-2 | HOW TO ORDER PAGE B15-6 | NOMENCLATURE PAGE B15-7 | |
|---------------------------------|----------------------------|----------------------------|--|

SELECTION/DIMENSIONS



Take-Up Frames - CP CENTER PULL (CP)

| Frame Size | Travel | Frame Part Number | Frame Weight | Travel | | Imperial | | S2000 | | Type K | | Type E | |
|------------|--------|-------------------|--------------|----------|------------|----------|---------|---------|---------|--------|-------|--------|-------|
| | | | | Maximum | | L1 | L2 | L1 | L2 | L1 | L2 | L1 | L2 |
| | | | | S2 & IP | Type E & K | | | | | | | | |
| CP308 | 12 | 019200 | 30 | 15-15/32 | 15-15/32 | | | | | | | | |
| CP308 | 18 | 019201 | 34 | 21-15/32 | 21-15/32 | | | | | | | | |
| CP308 | 24 | 019202 | 38 | 27-15/32 | 27-15/32 | 57/64 | 1-47/64 | 53/64 | 1-45/64 | 1-1/32 | 1-1/2 | 1-1/2 | 1-1/2 |
| CP308 | 30 | 019203 | 42 | 33-15/32 | 33-15/32 | | | | | | | | |
| CP308 | 36 | 019204 | 46 | 39-15/32 | 39-15/32 | | | | | | | | |
| CP400 | 12 | 019210 | 55 | 14-27/32 | 14-23/32 | | | | | | | | |
| CP400 | 18 | 019211 | 65 | 20-27/32 | 20-23/32 | | | | | | | | |
| CP400 | 24 | 019212 | 75 | 26-27/32 | 26-23/32 | 53/64 | 1-63/64 | 55/64 | 1-13/16 | 1-7/32 | 1-3/4 | 1-3/4 | 1-3/4 |
| CP400 | 30 | 019213 | 85 | 32-27/32 | 32-23/32 | | | | | | | | |
| CP400 | 36 | 019214 | 95 | 38-27/32 | 38-23/32 | | | | | | | | |
| CP408 | 12 | 019220 | 61 | 14-5/32 | 14-3/32 | | | | | | | | |
| CP408 | 18 | 019221 | 71 | 20-5/32 | 20-3/32 | | | | | | | | |
| CP408 | 24 | 019222 | 81 | 26-5/32 | 26-3/32 | 59/64 | 2-7/64 | 29/32 | 1-63/64 | 1-9/32 | 1-7/8 | 1-7/8 | 1-7/8 |
| CP408 | 30 | 019223 | 85 | 32-5/32 | 32-3/32 | | | | | | | | |
| CP408 | 36 | 019224 | 95 | 38-5/32 | 38-3/32 | | | | | | | | |
| CP502 | 12 | 019230 | 65 | 14-13/32 | 12-31/32 | | | | | | | | |
| CP502 | 18 | 019231 | 75 | 20-13/32 | 18-31/32 | | | | | | | | |
| CP502 | 24 | 019232 | 85 | 26-13/32 | 24-31/32 | 1-13/64 | 2-7/32 | 1-13/64 | 2 | 1-5/8 | 2 | 2 | 2 |
| CP502 | 30 | 019233 | 95 | 32-13/32 | 30-31/32 | | | | | | | | |
| CP502 | 36 | 019234 | 105 | 38-13/32 | 36-31/32 | | | | | | | | |
| CP515 | 12 | 019240 | 105 | 14-23/32 | 14-15/32 | | | | | | | | |
| CP515 | 18 | 019241 | 120 | 20-23/32 | 20-15/32 | | | | | | | | |
| CP515 | 24 | 019242 | 135 | 26-23/32 | 26-15/32 | 1-7/32 | 2-9/32 | 1-3/16 | 2-13/32 | 1-5/8 | 2-1/4 | 2-1/4 | 2-1/4 |
| CP515 | 30 | 019243 | 150 | 32-23/32 | 32-15/32 | | | | | | | | |
| CP515 | 36 | 019244 | 165 | 38-23/32 | 38-15/32 | | | | | | | | |
| CP613 | 12 | 019250 | 115 | 15-1/32 | - | | | | | | | | |
| CP613 | 18 | 019251 | 135 | 21-1/32 | - | | | | | | | | |
| CP613 | 24 | 019252 | 155 | 27-1/32 | - | 1-15/32 | 2-11/16 | 1-31/64 | 2-33/64 | - | - | - | - |
| CP613 | 30 | 019253 | 175 | 33-1/32 | - | | | | | | | | |
| CP613 | 36 | 019254 | 195 | 39-1/32 | - | | | | | | | | |
| CP810 | 12 | 019260 | 185 | 16-9/32 | - | | | | | | | | |
| CP810 | 18 | 019261 | 210 | 22-9/32 | - | | | | | | | | |
| CP810 | 24 | 019262 | 235 | 28-9/32 | - | 1-21/32 | 3-3/64 | 1-39/64 | 2-55/64 | - | - | - | - |
| CP810 | 30 | 019263 | 260 | 34-9/32 | - | | | | | | | | |
| CP810 | 36 | 019264 | 285 | 40-9/32 | - | | | | | | | | |
| CP908 | 12 | 019270 | 280 | 17-31/32 | - | | | | | | | | |
| CP908 | 18 | 019271 | 310 | 23-31/32 | - | | | | | | | | |
| CP908 | 24 | 019272 | 340 | 29-31/32 | - | | | 3-1/16 | 3-15/32 | - | - | - | - |
| CP908 | 30 | 019273 | 370 | 35-31/32 | - | | | | | | | | |
| CP908 | 36 | 019274 | 400 | 41-31/32 | - | | | | | | | | |
| CP1004 | 12 | 019280 | 370 | 18-29/32 | - | | | | | | | | |
| CP1004 | 18 | 019281 | 400 | 24-29/32 | - | | | | | | | | |
| CP1004 | 24 | 019282 | 430 | 30-29/32 | - | | | 3-17/64 | 3-41/64 | - | - | - | - |
| CP1004 | 30 | 019283 | 460 | 36-29/32 | - | | | | | | | | |
| CP1004 | 36 | 019284 | 490 | 42-29/32 | - | | | | | | | | |

Take-Up Frames

Engineering

Index

| | | | |
|---------------------------------|----------------------------|----------------------------|--|
| FEATURES/BENEFITS PAGE B15-2 | HOW TO ORDER PAGE B15-6 | NOMENCLATURE PAGE B15-7 | |
|---------------------------------|----------------------------|----------------------------|--|

SELECTION/DIMENSIONS



Center Pull Take-Up Frame Bearings TAPERED ROLLER BEARINGS

Type E

| Shaft Size | Frame Size |
|----------------------------------|------------|
| 1-3/8 1-7/16 | CP-308 |
| 1-1/2 1-5/8 1-11/16 | CP-400 |
| 1-3/4 1-7/8 1-15/16 2 | CP-400 |
| 2-3/16 | CP-408 |
| 2-1/4 2-7/16 2-1/2 | CP-502 |
| 2-11/16 2-3/4 2-15/16 3 | CP-515 |

- Center Pull Take-Up Frames Are Not Supplied With Bearings. First Match The Take-Up Frame With The Bearing Size From This Page. Then Turn To The Page Listed For The Specific Bearing Part Number

- Type E - B6-30
- Type K - B6-40

- See B15-21 and B15-23 For Center Pull Take-Up Frame Travel Options And Part Numbers

Type K

| Shaft Size | Frame Size |
|-----------------|------------|
| 1-7/16 | CP-308 |
| 1-15/16 | CP-400 |
| 2-3/16 | CP-408 |
| 2-7/16 2-1/2 | CP-502 |
| 2-15/16 3 | CP-515 |

SPHERICAL ROLLER BEARINGS

S-2000

| Shaft Size | Frame Size |
|--------------------------|------------|
| 1-3/8 1-7/16 1-1/2 | CP-308 |
| 1-11/16 1-3/4 | CP-400 |
| 1-15/16 2 | CP-400 |
| 2-3/16 | CP-408 |
| 2-7/16 | CP-502 |
| 2-11/16 2-15/16 3 | CP-515 |
| 3-7/16 | CP-613 |
| 3-15/16 | CP-810 |
| 4-7/16 | CP-908 |
| 4-15/16 | CP-1004 |

- Center Pull Take-Up Frames Are Not Supplied With Bearings. First Match The Take-Up Frame With The Bearing Size From This Page. Then Turn To The Page Listed For The Specific Bearing Part Number

- S-2000 - B8-36 to B10-39
- IMPERIAL - B10-56 to B10-59

- See B15-21 and B15-23 For Center Pull Take-Up Frame Travel Options And Part Numbers

IMPERIAL - IP

| Shaft Size | Frame Size |
|---|------------------|
| 1-1/8 1-3/16 1-1/4 1-3/8 1-7/16 1-1/2 | CP308 |
| 1-5/8 1-11/16 1-3/4 | CP-400 |
| 1-7/8 1-15/16 2 | CP-400 |
| 2-3/16 | CP-408 |
| 2-1/4 | CP-502 |
| 2-3/8 2-7/16 2-1/2 | CP-502 |
| 2-11/16 2-3/4 2-15/16 3 | CP-515 |
| 3-3/16 3-1/4 3-7/16 3-1/2 3-11/16 3-15/16 4 | CP-613 CP-810 |

FEATURES/BENEFITS
PAGE B15-2

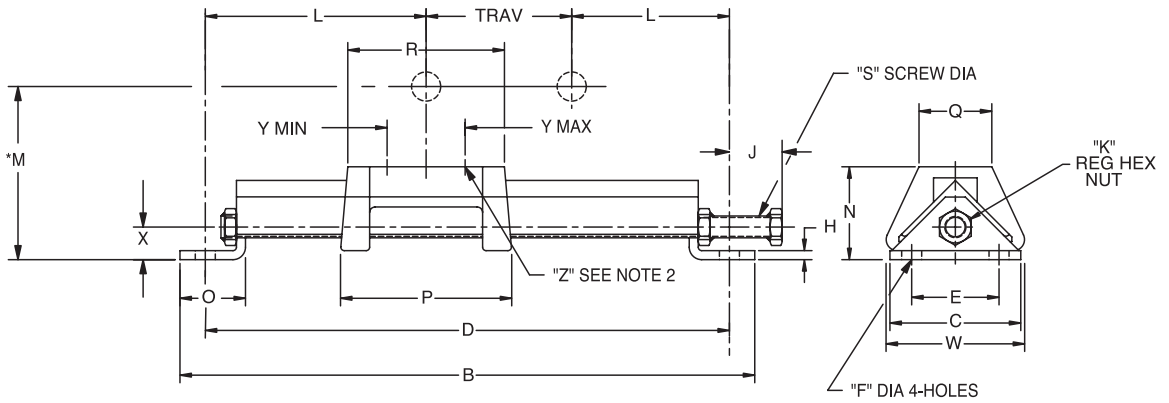
HOW TO ORDER
PAGE B15-6

NOMENCLATURE
PAGE B15-7

SELECTION/DIMENSIONS



Take-Up Frames - LD LD PROTECTED SCREW TAKE-UP FRAMES



* M=N + PILLOW BLOCK BACKING DIMENSION

Take-Up Frames

Engineering

Index

| | | | |
|---------------------------------|----------------------------|----------------------------|--|
| FEATURES/BENEFITS PAGE B15-2 | HOW TO ORDER PAGE B15-6 | NOMENCLATURE PAGE B15-7 | |
|---------------------------------|----------------------------|----------------------------|--|

SELECTION/DIMENSIONS



Take-Up Frames - LD

LD PROTECTED SCREW TAKE-UP FRAMES

| Frame Size x Travel | Part No. | Wt. | B | C | D | E | F Bolt Dia. | H | J | K | L | N | O |
|---------------------|---------------|-----|--------|--------|--------|--------|-------------|-----|-------|--------|--------|---------|-------|
| LD-10x6 | 039005 | 10 | 19-1/2 | 3-3/4 | 18 | 2-1/2 | 3/8 | 1/4 | 9/16 | 9/16 | 6 | 2-3/4 | 2-1/8 |
| LD-10x9 | 039006 | 11 | 22 | | 20-1/2 | | | | | | 5-3/4 | | |
| LD-10x12 | 038910 | 13 | 25 | | 23-1/2 | | | | | | 5-3/4 | | |
| LD-10x18 | 038911 | 14 | 31 | | 29-1/2 | | | | | | 5-3/4 | | |
| LD-10x30 | 038912 | 16 | 43 | | 41-1/2 | | | | | | 5-3/4 | | |
| LD-10x36 | 038913 | 18 | 49 | | 47-1/2 | | | | | | 5-3/4 | | |
| LD-10x42 | 038914 | 20 | 55 | | 53-1/2 | | | | | | 5-3/4 | | |
| LD-10x48 | 038915 | 22 | 61 | | 59-1/2 | | | | | | 5-3/4 | | |
| LD-20x6 | 039007 | 12 | 19-1/2 | 3-3/4 | 18 | 2-1/2 | 1/2 | 1/4 | 1-3/4 | 9/16 | 6 | 2-19/32 | 2-1/8 |
| LD-20x9 | 039008 | 13 | 22 | | 20-1/2 | | | | | | 5-3/4 | | |
| LD-20x12 | 039009 | 14 | 25 | | 23-1/2 | | | | | | 5-3/4 | | |
| LD-20x18 | 039010 | 17 | 33-1/2 | | 32 | | | | | | 7 | | |
| LD-20x24 | 039003 | 18 | 39-1/2 | | 38 | | | | | | 7 | | |
| LD-20x30 | 039002 | 20 | 45-1/2 | | 44 | | | | | | 7 | | |
| LD-20x36 | 039043 | 22 | 51-1/2 | | 50 | | | | | | 7 | | |
| LD-20x42 | 038916 | 24 | 57-1/2 | | 56 | | | | | | 7 | | |
| LD-20x48 | 039044 | 26 | 63-1/2 | 62 | 7 | | | | | | | | |
| LD-30x12 | 039011 | 18 | 28-1/4 | 3-3/4 | 26-3/4 | 2-1/2 | 1/2 | 1/4 | 1-3/4 | 9/16 | 7-3/8 | 2-11/16 | 2-1/8 |
| LD-30x18 | 039012 | 21 | 34-1/4 | | 32-3/4 | | | | | | 7-3/8 | | |
| LD-30x24 | 039084 | 24 | 40-1/4 | | 38-3/4 | | | | | | 7-3/8 | | |
| LD-30x30 | 038917 | 27 | 46-1/4 | | 44-3/4 | | | | | | 7-3/8 | | |
| LD-30x36 | 038918 | 30 | 52-1/4 | | 50-3/4 | | | | | | 7-3/8 | | |
| LD-30x42 | 038919 | 33 | 58-1/4 | | 56-3/4 | | | | | | 7-3/8 | | |
| LD-30x48 | 038920 | 35 | 64-1/4 | | 62-3/4 | | | | | | 7-3/8 | | |
| LD-40x12 | 039013 | 25 | 28-1/4 | | 4-3/4 | | | | | | 26-1/2 | | |
| LD-40x18 | 039014 | 28 | 34-1/4 | 32-1/2 | | 7-1/4 | | | | | | | |
| LD-40x24 | 039073 | 31 | 40-1/4 | 38-1/2 | | 7-1/4 | | | | | | | |
| LD-40x30 | 038921 | 34 | 46-1/4 | 44-1/2 | | 7-1/4 | | | | | | | |
| LD-40x36 | 038922 | 37 | 52-1/4 | 50-1/2 | | 7-1/4 | | | | | | | |
| LD-40x42 | 038923 | 40 | 58-1/4 | 56-1/2 | | 7-1/4 | | | | | | | |
| LD-40x48 | 038924 | 43 | 64-1/4 | 62-1/2 | | 7-1/4 | | | | | | | |
| LD-45x12 | 039018 | 50 | 33 | 5 | | 31-1/4 | 3 | 3/4 | 5/16 | 1-9/16 | 11/16 | 9-3/4 | 4-1/8 |
| LD-45x18 | 039019 | 55 | 39-1/4 | | 37-1/2 | 9-3/4 | | | | | | | |
| LD-45x24 | 039097 | 58 | 45-1/4 | | 43-1/2 | 9-3/4 | | | | | | | |
| LD-45x30 | 038925 | 65 | 51-1/4 | | 49-1/2 | 9-3/4 | | | | | | | |
| LD-45x36 | 038926 | 70 | 57-1/4 | | 55-1/2 | 9-3/4 | | | | | | | |
| LD-45x42 | 038927 | 75 | 63-1/4 | | 61-1/2 | 9-3/4 | | | | | | | |
| LD-45x48 | 038928 | 80 | 69-1/4 | | 67-1/2 | 9-3/4 | | | | | | | |
| LD-50x6 | 039004 | 49 | 27 | | 5 | 25-1/4 | | | | | | 3 | |
| LD-50x12 | 039015 | 54 | 33 | 31-1/4 | | 9-3/4 | | | | | | | |
| LD-50x18 | 039016 | 60 | 39-1/4 | 37-1/2 | | 9-3/4 | | | | | | | |
| LD-50x24 | 039017 | 65 | 45-1/4 | 43-1/2 | | 9-3/4 | | | | | | | |
| LD-50x30 | 038929 | 71 | 51-1/4 | 49-1/2 | | 9-3/4 | | | | | | | |
| LD-50x36 | 038930 | 77 | 57-1/4 | 55-1/2 | | 9-3/4 | | | | | | | |
| LD-50x48 | 038932 | 90 | 69-1/4 | 67-1/2 | | 9-3/4 | | | | | | | |

FEATURES/BENEFITS
PAGE B15-2

HOW TO ORDER
PAGE B15-6

NOMENCLATURE
PAGE B15-7

SELECTION/DIMENSIONS



Take-Up Frames - LD

LD PROTECTED SCREW TAKE-UP FRAMES

| Frame Size x Travel | Part No. | Wt. | P | Q | R | S Screw Dia. | W | X | Y Bolt Centers | | Z Bolt Dia. | Angle | | | | | | |
|---------------------|----------|-----|--------|-------|-------|--------------|-------|--------|----------------|--------|-------------|----------------------|-------|-------|--------|-------|---------|-------------|
| | | | | | | | | | Max. | Min. | | | | | | | | |
| LD-10x6 | 039005 | 10 | 5-7/8 | 1-1/2 | 5-3/8 | 3/4 | 3-1/4 | 15/16 | 4-3/8 | 2-7/8 | 3/8 x 1-1/2 | 2 x 2 x 1/4 | | | | | | |
| LD-10x9 | 039006 | 11 | | | | | | | | | | | | | | | | |
| LD-10x12 | 038910 | 13 | | | | | | | | | | | | | | | | |
| LD-10x18 | 038911 | 14 | | | | | | | | | | | | | | | | |
| LD-10x30 | 038912 | 16 | | | | | | | | | | | | | | | | |
| LD-10x36 | 038913 | 18 | | | | | | | | | | | | | | | | |
| LD-10x42 | 038914 | 20 | | | | | | | | | | | | | | | | |
| LD-10x48 | 038915 | 22 | | | | | | | | | | | | | | | | |
| LD-20x6 | 039007 | 12 | 7-3/4 | 2-1/8 | 7-1/4 | 3/4 | 3-3/4 | 15/16 | 6-1/4 | 4-7/16 | 1/2 x 2-1/2 | 2 x 2 x 1/4 | | | | | | |
| LD-20x9 | 039008 | 13 | | | | | | | | | | | | | | | | |
| LD-20x12 | 039009 | 14 | | | | | | | | | | | | | | | | |
| LD-20x18 | 039010 | 17 | | | | | | | | | | | | | | | | |
| LD-20x24 | 039003 | 18 | | | | | | | | | | | | | | | | |
| LD-20x30 | 039002 | 20 | | | | | | | | | | | | | | | | |
| LD-20x36 | 039043 | 22 | | | | | | | | | | | | | | | | |
| LD-20x42 | 038916 | 24 | | | | | | | | | | | | | | | | |
| LD-20x48 | 039044 | 26 | | | | | | | | | | | | | | | | |
| LD-30x12 | 039011 | 18 | 8-1/2 | 2-1/4 | 8 | 3/4 | 3-3/4 | 15/16 | 7 | 5-3/4 | 5/8 x 2-1/2 | 2 x 2 x 5/16 | | | | | | |
| LD-30x18 | 039012 | 21 | | | | | | | | | | | | | | | | |
| LD-30x24 | 039084 | 24 | | | | | | | | | | | | | | | | |
| LD-30x30 | 038917 | 27 | | | | | | | | | | | | | | | | |
| LD-30x36 | 038918 | 30 | | | | | | | | | | | | | | | | |
| LD-30x42 | 038919 | 33 | | | | | | | | | | | | | | | | |
| LD-30x48 | 038920 | 35 | | | | | | | | | | | | | | | | |
| LD-40x12 | 039013 | 25 | | | | | | | | | | | | | | | | |
| LD-40x18 | 039014 | 28 | | | | | | | | | | | | | | | | |
| LD-40x24 | 039073 | 31 | | | | | | | | | | | | | | | | |
| LD-40x30 | 038921 | 34 | 9-3/4 | 2-1/2 | 9-1/4 | 3/4 | 4-3/4 | 1-1/16 | 7-7/8 | 6-3/8 | 5/8 x 3 | 2-1/2 x 2-1/2 x 5/16 | | | | | | |
| LD-40x36 | 038922 | 37 | | | | | | | | | | | | | | | | |
| LD-40x42 | 038923 | 40 | | | | | | | | | | | | | | | | |
| LD-40x48 | 038924 | 43 | | | | | | | | | | | | | | | | |
| LD-45x12 | 039018 | 50 | | | | | | | | | | | | | | | | |
| LD-45x18 | 039019 | 55 | | | | | | | | | | | | | | | | |
| LD-45x24 | 039097 | 58 | | | | | | | | | | | | | | | | |
| LD-45x30 | 038925 | 65 | | | | | | | | | | | | | | | | |
| LD-45x36 | 038926 | 70 | | | | | | | | | | | | | | | | |
| LD-45x42 | 038927 | 75 | | | | | | | | | | | | | | | | |
| LD-45x48 | 038928 | 80 | | | | | | | | | | | | | | | | |
| LD-50x6 | 039004 | 49 | 13-1/2 | 3-1/2 | 13 | 1 | 5-7/8 | 1-1/4 | 11-1/4 | 7-1/4 | 3/4 x 3-1/2 | 3 x 3 x 1/2 | | | | | | |
| LD-50x12 | 039015 | 54 | | | | | | | | | | | | | | | | |
| LD-50x18 | 039016 | 60 | | | | | | | | | | | | | | | | |
| LD-50x24 | 039017 | 65 | | | | | | | | | | | | | | | | |
| LD-50x30 | 038929 | 71 | | | | | | 13-1/2 | 3-1/2 | 13 | 1 | | 5-7/8 | 1-1/4 | 11-1/8 | 7-5/8 | 7/8 x 4 | 3 x 3 x 1/2 |
| LD-50x36 | 038930 | 77 | | | | | | | | | | | | | | | | |
| LD-50x42 | 038931 | 83 | | | | | | | | | | | | | | | | |
| LD-50x48 | 038932 | 90 | | | | | | | | | | | | | | | | |

| | | | |
|---------------------------------|----------------------------|----------------------------|--|
| FEATURES/BENEFITS PAGE B15-2 | HOW TO ORDER PAGE B15-6 | NOMENCLATURE PAGE B15-7 | |
|---------------------------------|----------------------------|----------------------------|--|

SELECTION/DIMENSIONS



Light Duty Take-Up Frame Bearings

BALL BEARINGS

NORMAL DUTY

SETSCREW - SC, SCU, SCB, VSC, VSCB

D-LOK - DL, DLB

ECCENTRIC LOCK - SXR, SXRU, SXRb, SXV, SXVU, SXVB

GRIP TIGHT - GT

| Series | Shaft Size | Frame Size |
|--------|--|------------|
| 203 | 1/2 5/8 | LD-10 |
| 204 | 1/2 5/8 3/4 20mm | LD-10 |
| 205 | 7/8 15/16 25mm | LD-10 |
| 206 | 1-1/16 1-1/8 1-3/16 1-1/4 30mm | LD-20 |
| 207 | 1-1/4 1-5/16 1-3/8 1-7/16 35mm | LD-20 |
| 208 | 1-1/2 1-5/8 40mm | LD-20 |
| 209 | 1-5/8 1-11/16 1-3/4 45mm | LD-20 |
| 210 | 1-15/16 2 50mm | LD-30 |
| 211 | 2 2-3/16 2-1/4 55mm | LD-40 |
| 212 | 2-1/4 2-7/16 60mm | LD-40 |
| 214 | 2-1/2 2-11/16 70mm | LD-45 |
| 215 | 2-15/16 75mm | LD-50 |

- Light Duty Take-Up Frames Are Not Supplied With Bearings. First Match The Take-Up Frame With The Bearing Size From This Page. Then Turn To The Page Listed For The Specific Bearing Part Number.
- EZ-KLEEN Polymer Housing - B1-14 to B1-29
- Grip Tight (GT & GTM)- B2-8 to B2-19
- Setscrew (SC, SCM & VSC) - B3-10 to B3-25
- Eccentric Lock (SXR & SXV) - B4-10 to B4-17
- D-LOK (DL & DLM) - B5-8 to B5-13
- See B15-26 For Light Duty Take-Up Frame Travel Options And Part Numbers.

MEDIUM DUTY SETSCREW - SCM, SCH D-LOK - DLM, DLH GRIP TIGHT - GTM

| Series | Shaft Size | Frame Size |
|--------|--------------------------|------------|
| 206 | 1 25mm | LD-20 |
| 207 | 1-3/16 1-1/4 30mm | LD-20 |
| 208 | 1-7/16 35mm | LD-20 |
| 209 | 1-1/2 40mm | LD-20 |
| 210 | 1-11/16 1-3/4 45mm | LD-30 |
| 211 | 1-15/16 2 50mm | LD-40 |
| 212 | 2-3/16 2-1/4 55mm | LD-40 |
| 214 | 2-7/16 2-1/2 65mm | LD-45 |
| 215 | 2-11/16 70mm | LD-50 |
| 216 | 2-15/16 3 75mm | LD-50 |
| 218 | 3-7/16 3-1/2 85mm | LD-50 |

FEATURES/BENEFITS
PAGE B15-2

HOW TO ORDER
PAGE B15-6

NOMENCLATURE
PAGE B15-7

SELECTION/DIMENSIONS



Light Duty Take-Up Frame Bearings

SPHERICAL ROLLER BEARINGS

IMPERIAL - IP

| Shaft Size | Frame Size |
|------------|------------|
| 1-1/8 | LD-20 |
| 1-3/16 | |
| 1-1/4 | |
| 1-3/8 | |
| 1-7/16 | |
| 1-1/2 | |
| 1-5/8 | |
| 1 | |
| 11/16 | |
| 1-3/4 | |
| 1-7/8 | LD-30 |
| 1 | |
| 15/16 | |
| 2 | |
| 2-3/16 | |
| 2-1/4 | LD-40 |
| 2-3/8 | |
| 2-7/16 | |
| 2-1/2 | LD-45 |
| 2-11/16 | |
| 2-3/4 | |
| 2-15/16 | |
| 3 | |
| 3-3/16 | LD-50 |
| 3-1/4 | |
| 3-7/16 | |
| 3-1/2 | |

S-2000

| Shaft Size | Frame Size |
|------------|------------|
| 1-3/8 | LD-20 |
| 1-7/16 | |
| 1-1/2 | |
| 1-11/16 | LD-20 |
| 1-3/4 | |
| 1-15/16 | LD-30 |
| 2 | |
| 2-3/16 | LD-40 |
| 2-7/16 | |
| 2-11/16 | LD-45 |
| 2-15/16 | |
| 3 | |
| 3-7/16 | LD-50 |

UNISPHERE II

| Shaft Size | Frame Size |
|------------|------------|
| 1-7/16 | LD-20 |
| 1-1/2 | |
| 1-11/16 | |
| 1-3/4 | |
| 1-15/16 | LD-30 |
| 2 | |
| 2-3/16 | LD-40 |
| 2-7/16 | |
| 2-1/2 | |
| 2-11/16 | LD-45 |
| 2-3/4 | |
| 2-15/16 | |
| 3 | |
| 3-7/16 | LD-50 |
| 3-1/2 | |

• Light Duty Take-Up Frames Are Not Supplied With Bearings. First Match The Take-Up Frame With The Bearing Size From This Page. Then Turn To The Page Listed For The Specific Bearing Part Number

- S-2000 - B8-18 to B8-21
- Unisphere II - B9-16 to B9-17
- IMPERIAL - B10-21 to B10-27

• See B15-26 For Light Duty Take-Up Frame Travel Options And Part Numbers.

| Frame Size | MAX RECOMMENDED HOUSING CAP LOAD (90° LOAD ANGLE) |
|------------|---|
| LD-10 | 2100 |
| LD-20 | 3900 |
| LD-30 | 6200 |
| LD-40 | 6200 |
| LD-45 | 9100 |
| LD-50 | 12500 |

* Consult the Application Engineering Department for loads greater than listed. In all cases, when loads are heavy, the L10 life of the bearing should be checked for proper selection and life requirements.

* LD Frames are drilled for two bolt pillow blocks

| | | | |
|---------------------------------|----------------------------|----------------------------|--|
| FEATURES/BENEFITS PAGE B15-2 | HOW TO ORDER PAGE B15-6 | NOMENCLATURE PAGE B15-7 | |
|---------------------------------|----------------------------|----------------------------|--|

SELECTION/DIMENSIONS



Light Duty Take-Up Frame Bearings

SLEEVE BEARING

LT-700

LT-1000

| Series | Shaft Size | Frame Size |
|--------|--------------------|------------|
| 204 | 3/4 | LD-10 |
| 205 | 7/8 | LD-10 |
| | 15/16 1 25mm | |
| 206 | 1-1/8 | LD-20 |
| | 1-3/16 30mm | |
| 207 | 1-1/4 | LD-20 |
| | 1-3/8 | |
| | 1-7/16 35mm | |
| 209 | 1-11/16 | LD-20 |
| | 1-3/4 45mm | |
| 210 | 1-15/16 | LD-30 |
| | 2 50mm | |
| 211 | 2-3/16 | LD-40 |
| | 55mm | |
| 212 | 2-7/16 | LD-40 |
| | 2-1/2 55mm | |
| 215 | 2-15/16 | LD-50 |
| | 3 | |

- Light Duty Take-Up Frames Are Not Supplied With Bearings. First Match The Take-Up Frame With The Bearing Size From This Page. Then Turn To The Page Listed For The Specific Bearing Part Number
- LT-700 - B13-14 to B13-17
- LT-1000 - B13-14 to B13-17
- Babbitt Sleeve - B13-36 to B13-37
- See B15-26 For Light Duty Take-Up Frame Travel Options And Part Numbers

BABBITTED SOLID JOURNAL BEARING

| Shaft Size | Frame Size |
|--------------------|------------|
| 1/2 to 1-1/4 | LD-10 |
| 1-11/16 1-3/4 | LD-20 |
| 2-15/16 | LD-45 |

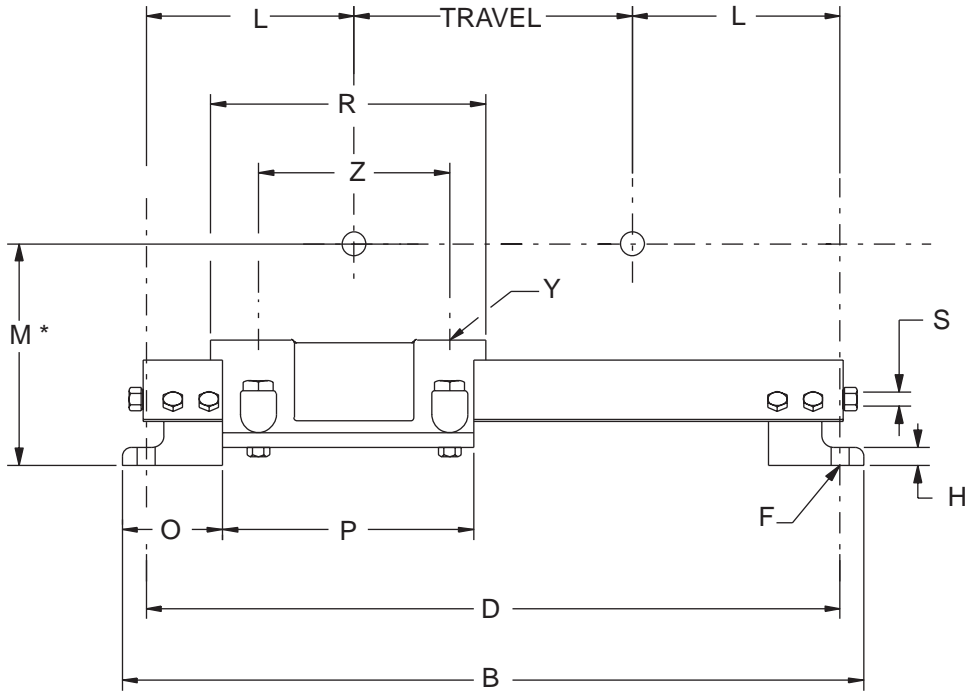
FEATURES/BENEFITS
PAGE B15-2

HOW TO ORDER
PAGE B15-6

NOMENCLATURE
PAGE B15-7



Take-Up Frames - HD HD PROTECTED SCREW TAKE-UP FRAMES

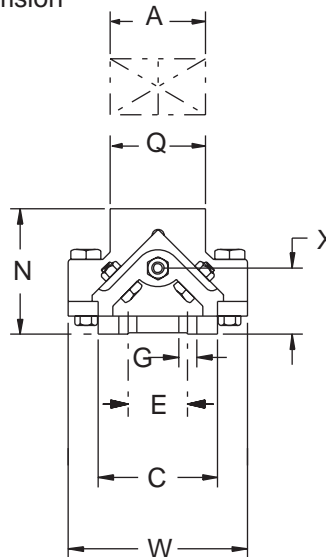


* $M = N + \text{Pillow Block Base to Center Dimension}$

The HD Protected Screw Take-Up Frames

HD 200 through HD 350 Take-Up frames will accommodate pillow blocks on saddles which are slotted for two-bolt Pillow Blocks and may be ordered by part numbers. When using four-bolt Pillow Blocks; or on HD frames 400 and larger, please supply:

1. Bore size of pillow block
2. Type of block (Type E, Double Interlock, USAF, etc.)
3. Whether pillow block is two-or four-bolt style
4. Frame Travel



SELECTION/DIMENSIONS



Take-Up Frames

Engineering

Index

Take-Up Frames - HD HD PROTECTED SCREW TAKE-UP FRAMES

| Frame Size | Travel | Part No. **◆ | Frame Wt. | B | C | D |
|------------|--------|--------------|-----------|--------|-------|--------|
| HD-200* | 12 | 089020 | 79 | 31 | 5 | 29 |
| | 18 | 089021 | 82 | 37 | 5 | 35 |
| | 24 | 089022 | 90 | 43 | 5 | 41 |
| | 30 | 089023 | 95 | 47 | 5 | 47 |
| | 36 | 089024 | 100 | 55 | 5 | 53 |
| | 48 | 089150 | 110 | 67 | 5 | 65 |
| HD-250* | 12 | 089151 | 115 | 35-1/4 | 6 | 32-3/4 |
| | 18 | 089025 | 125 | 41-1/4 | 6 | 38-3/4 |
| | 24 | 089026 | 135 | 47-1/4 | 6 | 44-3/4 |
| | 30 | 089027 | 137 | 53-1/4 | 6 | 50-3/4 |
| | 36 | 089028 | 143 | 59-1/4 | 6 | 56-3/4 |
| | 48 | 089152 | 153 | 71-1/4 | 6 | 68-3/4 |
| HD-300* | 60 | 089600 | 163 | 83-1/4 | 6 | 80-3/4 |
| | 12 | 089153 | 175 | 38-1/4 | 6-1/2 | 35-1/2 |
| | 18 | 089029 | 184 | 44-1/4 | 6-1/2 | 41-1/2 |
| | 24 | 089030 | 194 | 50-1/4 | 6-1/2 | 47-1/2 |
| | 30 | 089031 | 206 | 56-1/4 | 6-1/2 | 53-1/2 |
| | 36 | 089032 | 214 | 62-1/4 | 6-1/2 | 59-1/2 |
| HD-350* | 48 | 089033 | 240 | 74-1/4 | 6-1/2 | 71-1/2 |
| | 60 | 089601 | 266 | 86-1/4 | 6-1/2 | 83-1/2 |
| | 12 | 089154 | 195 | 40 | 6-1/2 | 37-1/4 |
| | 18 | 089034 | 204 | 46 | 6-1/2 | 43-1/4 |
| | 24 | 089035 | 212 | 52 | 6-1/2 | 49-1/4 |
| | 30 | 089036 | 220 | 58 | 6-1/2 | 55-1/4 |
| HD-400** | 36 | 089037 | 234 | 64 | 6-1/2 | 61-1/4 |
| | 48 | 089038 | 250 | 76 | 6-1/2 | 73-1/4 |
| | 60 | 089602 | 276 | 88 | 6-1/2 | 85-1/4 |
| | 12 | 089155 | 340 | 44 | 6-1/2 | 41-1/4 |
| | 18 | 089039 | 350 | 50 | 6-1/2 | 47-1/4 |
| | 24 | 089040 | 360 | 56 | 6-1/2 | 53-1/4 |
| HD-500** | 30 | 089041 | 370 | 62 | 6-1/2 | 59-1/4 |
| | 36 | 089042 | 380 | 68 | 6-1/2 | 65-1/4 |
| | 48 | 089043 | 400 | 80 | 6-1/2 | 77-1/4 |
| | 60 | 089603 | 420 | 92 | 6-1/2 | 89-1/4 |
| | 12 | 089156 | 420 | 49-1/2 | 7 | 47 |
| | 18 | 089044 | 440 | 55-1/2 | 7 | 53 |
| HD-500** | 24 | 089045 | 460 | 61-1/2 | 7 | 59 |
| | 30 | 089046 | 480 | 67-1/2 | 7 | 65 |
| | 36 | 089047 | 500 | 73-1/2 | 7 | 71 |
| | 48 | 089048 | 530 | 85-1/2 | 7 | 83 |
| | 60 | 089604 | 560 | 97-1/2 | 7 | 95 |

| Frame Size | E | F Bolt Dia. | G Dia. | H | L | N | O | P | Saddle *Dimensions | | S Scr. Dia. | W | X | Y Bolt Dia. | Z | |
|------------|-------|-------------|--------|-----|--------|-------|-------|--------|--------------------|--------|-------------|--------|---------|-------------|----------|---------|
| | | | | | | | | | Q | R | | | | | Max. | Min. |
| HD-200 | 2-1/2 | 5/8 | 3/4 | 3/4 | 8-1/2 | 5-1/4 | 4 | 11 | 4 | 11 | 1 | 7-1/2 | 2-9/16 | 5/8 | 9-1/16 | 5-15/16 |
| HD-250 | 3 | 5/8 | 3/4 | 3/4 | 10-3/8 | 6-1/4 | 5 | 13-1/4 | 4-1/2 | 13 | 1 | 8-1/4 | 3-1/4 | 3/4 | 10-7/8 | 7-5/8 |
| HD-300 | 3 | 3/4 | 7/8 | 7/8 | 11-3/4 | 7 | 6 | 14-1/4 | 5 | 14 | 1-1/4 | 10 | 3-1/2 | 3/4 | 11-5/8 | 9-1/4 |
| HD-350 | 3 | 3/4 | 7/8 | 7/8 | 12-5/8 | 7 | 6 | 16 | 6 | 17 | 1-1/4 | 10 | 3-1/2 | 7/8 | 13-11/16 | 10-3/4 |
| HD-400 | 3 | 3/4 | 7/8 | 7/8 | 14-5/8 | 7 | 6 | 20 | 7-1/4 | 20 | 1-1/4 | 10 | 3-1/2 | ◆ | ◆ | ◆ |
| HD-500 | 4 | 7/8 | 1 | 1 | 17-1/2 | 7-3/4 | 6-3/4 | 23-1/2 | 8-1/2 | 23-1/2 | 1-1/2 | 12-1/2 | 3-21/32 | ◆ | ◆ | ◆ |

Consult DODGE for HD600 and HD650 Take-Up Frames, for large bore bearings.

◆ Solid saddle must be drilled and tapped per order (HD-400 & HD500 frames)

* Saddle is slotted to receive 2-bolt blocks.

** For 4-bolt pillow blocks, all HD frames must be drilled and tapped per order. Refer to Page B15-30

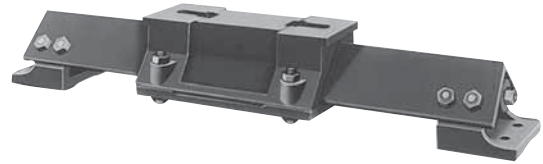
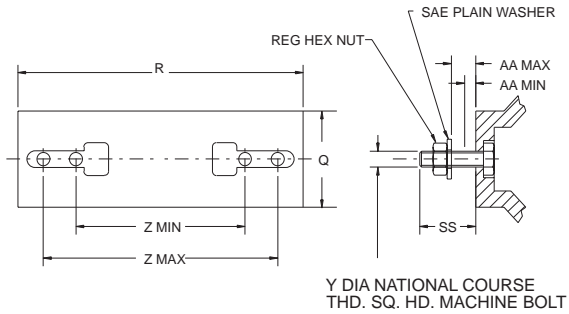
| | | | |
|---------------------------------|----------------------------|----------------------------|--|
| FEATURES/BENEFITS PAGE B15-2 | HOW TO ORDER PAGE B15-6 | NOMENCLATURE PAGE B15-7 | |
|---------------------------------|----------------------------|----------------------------|--|

SELECTION/DIMENSIONS



Take-Up Frames - HD

USING HD PROTECTED SCREW TAKE-UP FRAMES FOR BEARINGS OTHER THAN DODGE



Slotted saddle type HD frames (200 through 350 sizes) may be used with 2-bolt pillow blocks other than DODGE pillow blocks listed in tables on previous pages. The dimensions shown below are listed to determine whether frame is applicable to this type of application.

| Frame Size | AA | | Saddle Dimensions | |
|------------|---------|---------|-------------------|----|
| | Min. | Max. | Q | R |
| HD-200 | 2 | 3-1/64 | 4 | 11 |
| HD-250 | 2-5/8 | 3-13/16 | 4-1/2 | 13 |
| HD-300 | 2-31/32 | 4-5/32 | 5 | 14 |
| HD-350 | 2-27/32 | 4-11/16 | 6 | 17 |

| Frame Size | Y | | | SS | Z | |
|------------|-------------------------|---------------|-------------------|---------|----------|---------|
| | Bearing Hold Down Bolts | | | | Max. | Min. |
| | Diameter | Part Number | LENGTH UNDER HEAD | | | |
| HD-200 | 5/8-11 | 416173 | 4 | 3-5/8 | 9-7/16 | 5-15/16 |
| HD-250 | 3/4-10 | 416229 | 5 | 4-17/32 | 10-7/8 | 7-5/8 |
| HD-300 | 3/4-10 | 416231 | 5-1/2 | 4-7/8 | 11-5/8 | 9-1/4 |
| HD-350 | 7/8-9 | 416275 | 5-1/2 | 5 | 13-11/16 | 10-3/4 |

Note: The Pillow Blocks must use the bolt and have the capability of mounting between the Z bolt centers. The height off the mounting bolt pad must be within the AA dimensions.

| | | | |
|---------------------------------|----------------------------|----------------------------|--|
| FEATURES/BENEFITS PAGE B15-2 | HOW TO ORDER PAGE B15-6 | NOMENCLATURE PAGE B15-7 | |
|---------------------------------|----------------------------|----------------------------|--|

SELECTION/DIMENSIONS



Heavy Duty Take-Up Frame Bearings

TAPERED ROLLER BEARINGS

Type E

| Shaft Size | Frame Size |
|-----------------------|------------|
| 1-1/2 to 2-1/2 | HD-200* |
| 2-11/16 to 3 | HD-250* |
| 3-3/16 to 3-1/2 | HD-350* |
| 3-15/16 to 5 | HD-400** |
| 5-7/16 to 6 | HD-500** |

Type K Double Interlock

| Shaft Size | Frame Size |
|------------------------|------------|
| 1-1/2 to 2-3/16 | HD-200* |
| 2-1/4 to 2-1/2 | HD-250* |
| 2-11/16 to 3 | HD-300* |
| 3-3/16 to 3-1/2 | HD-350* |
| 3-15/16 to 4-1/2 | HD-400** |
| 4-15/16 to 5 | HD-500** |

TAF

| Shaft Size | Frame Size |
|-----------------------|------------|
| 2-7/16 to 2-1/2 | HD-200* |
| 2-15/16 to 3 | HD-250* |
| 3-7/16 to 4 | HD-350* |
| 4-7/16 to 5 | HD-400** |
| 5-7/16 | HD-500** |

- Heavy Duty Take-Up Frames Are Not Supplied With Bearings. First Match The Take-Up Frame With The Bearing Size From This Page. Then Turn To The Page Listed For The Specific Bearing Part Number
- Type K - B6-34
- Type E - B6-22
- DOUBLE INTERLOCK - B6-44
- TAF - B6-52
- See B15-32 For Heavy Duty Take-Up Frame Travel Options and Part Numbers

* HD-200, HD-250, HD-300 and HD 350 Frames Are Drilled For Two Bolt Base Pillow Blocks. For 4-bolt pillow blocks, refer to note on page B15-31.

** HD-400 And Larger Are Drilled And Tapped Per Order. Specify Bearing Type When Ordering

FEATURES/BENEFITS
PAGE B15-2

HOW TO ORDER
PAGE B15-6

NOMENCLATURE
PAGE B15-7



Heavy Duty Take-Up Frame Bearings

SPECIALITY TAPERED ROLLER BEARINGS

| Special Duty | |
|-----------------------|------------|
| Shaft Size | Frame Size |
| 1-3/8 to 2 | HD-200 |
| 2-1/8 to 2-1/2 | HD-250 |
| 2-3/8 to 3 | HD-300 |
| 3-3/16 to 3-1/2 | HD-350 |
| 3-11/16 to 4 | HD-400** |
| 4-7/16 to 5 | HD-500** |

| Type C | |
|------------------------|------------|
| Shaft Size | Frame Size |
| 1-3/8 to 1-15/16 | HD-200 |
| 2 to 2-7/16 | HD-250 |
| 2-3/8 to 2-15/16 | HD-300 |
| 3 to 3-7/16 | HD-350 |
| 3-1/2 to 4 | HD-400** |
| 4-7/16 to 5 | HD-500** |

| All-Steel | |
|-----------------------|------------|
| Shaft Size | Frame Size |
| 2-11/16 to 3 | HD-250* |
| 3-7/16 to 3-1/2 | HD-300* |
| 3-15/16 to 4 | HD-350* |
| 4-7/17 to 5 | HD-400** |

- Heavy Duty Take-Up Frames Are Not Supplied With Bearings. First Match The Take-Up Frame With The Bearing Size From This Page. Then Turn To The Page Listed For The Specific Bearing Part Number
- Specialty Duty - B7-32
- Type C - B7-10
- All Steel - B7-56
- See B15-32 For Heavy Duty Take-Up Frame Travel Options and Part Numbers

* HD-200, HD-250, HD-300 and HD 350 Frames Are Drilled For Two Bolt Base Pillow Blocks. For 4-bolt pillow blocks, refer to note on page B15-31.

** HD-400 And Larger Are Drilled And Tapped Per Order. Specify Bearing Type When Ordering

| | | | |
|---------------------------------|----------------------------|----------------------------|--|
| FEATURES/BENEFITS PAGE B15-2 | HOW TO ORDER PAGE B15-6 | NOMENCLATURE PAGE B15-7 | |
|---------------------------------|----------------------------|----------------------------|--|

SELECTION/DIMENSIONS



Heavy Duty Take-Up Frame Bearings

UNITIZED SPHERICAL ROLLER BEARINGS

Imperial - IP

| Shaft Size | Frame Size |
|--|------------|
| 1-1/8 to 2-1/2 | HD-200* |
| 2-11/16 2-3/4 2-15/16 3 | HD-250* |
| 3-3/16 3-1/4 3-7/16 3-1/2 | HD-300* |
| 3-11/16 3-15/16 4 4-7/16 4-1/2 | HD-500* |
| 4-15/16 5 | HD-400** |

S-2000

| Shaft Size | Frame Size |
|---|------------|
| 1-3/8 1-7/16 1-1/2 1-11/16 1-3/4 1-15/16 2 2-3/16 2-7/16 2-11/16 | HD-200* |
| 2-15/16 3 | HD-250* |
| 3-7/16 | HD-300* |
| 3-15/16 4-7/16 | HD-350* |
| 4-15/16 | HD-400** |

UNISPHERE II

| Shaft Size | Frame Size |
|---|------------|
| 1-15/16 2 2-3/16 2-7/16 2-1/2 | HD-200 |
| 2-11/16 2-3/4 2-15/16 3 | HD-250 |
| 3-7/16 3-1/2 | HD-300 |
| 3-15/16 4 | HD-350 |

- Heavy Duty Take-Up Frames Are Not Supplied With Bearings. First Match The Take-Up Frame With The Bearing Size From This Page. Then Turn To The Page Listed For The Specific Bearing Part Number
- S-2000 - B8-18 to B8-25
- IMPERIAL - B10-21 to B10-33
- UNISPHERE - B9-16 to B9-17
- See B15-32 For Heavy Duty Take-Up Frame Travel Options and Part Numbers

* HD-200, HD-250, HD-300 and HD 350 Frames Are Drilled For Two Bolt Base Pillow Blocks. For 4-bolt pillow blocks, refer to note on page B15-31.

** HD-400 And Larger Are Drilled And Tapped Per Order. Specify Bearing Type When Ordering

FEATURES/BENEFITS
PAGE B15-2

HOW TO ORDER
PAGE B15-6

NOMENCLATURE
PAGE B15-7

SELECTION/DIMENSIONS



Heavy Duty Take-Up Frame Bearings

UNIFIED SPHERICAL ROLLER BEARINGS

USAF-500
SAF-XT
SAFS
ISAF

| Shaft Size | Frame Size |
|-------------------------|------------|
| 1-15/16 to 2-3/16 | HD-200* |
| 2-7/16 to 3 | HD-250* |
| 3-3/16 | HD-300* |
| 3-7/16 to 3-1/2 | HD-350* |
| 3-15/16 to 4-1/2 | HD-400** |
| 4-15/16 to 5-1/2 | HD-500** |

| Take-Up Frame Size | Maximum Recommended Housing Cap. Loads ** (at 90° load angle) |
|--------------------|--|
| HD-200 | 2800 |
| HD-250 | 4200 |
| HD-300 | 4200 |
| HD-350 | 3500 |
| HD-400 | *** |
| HD-500 | *** |

- Heavy Duty Take-Up Frames Are Not Supplied With Bearings. First Match The Take-Up Frame With The Bearing Size From This Page. Then Turn To The Page Listed For The Specific Bearing Part Number
- IMPERIAL - B10-20 to B10-35
- USAF-500 - B11-40 to B11-43
- SAF-XT - B11-68 to B-11-69
- SAFS - B11-65 to B11-67
- See B15-32 For Heavy Duty Take-Up Frame Travel Options and Part Numbers

* HD-200, HD-250, HD-300 and HD 350 Frames Are Drilled For Two Bolt Base Pillow Blocks. For 4-bolt pillow blocks, refer to note on page B15-31.

** HD-400 And Larger Are Drilled And Tapped Per Order. Specify Bearing Type When Ordering

| | | | |
|---------------------------------|----------------------------|----------------------------|--|
| FEATURES/BENEFITS PAGE B15-2 | HOW TO ORDER PAGE B15-6 | NOMENCLATURE PAGE B15-7 | |
|---------------------------------|----------------------------|----------------------------|--|

SELECTION/DIMENSIONS



Heavy Duty Take-Up Frame Bearings

SLEEVE BEARINGS

MM-700
MM-1000

| Shaft Size | Frame Size |
|-----------------|------------|
| 3-7/16 3-1/2 | HD-250* |
| 3-15/16 4 | HD-300* |
| 4-7/16 4-1/2 | HD-350* |
| 4-15/16 5 | HD-400** |

- Heavy Duty Take-Up Frames Are Not Supplied With Bearings. First Match The Take-Up Frame With The Bearing Size From This Page. Then Turn To The Page Listed For The Specific Bearing Part Number
- MM 700 - B13-18
- MM 1000 - B13-18
- Angle Babbitt - B13-42 to B14-43
- Bronze B13-46 to B13-49
- See B15-32 For Heavy Duty Take-Up Frame Travel Options and Part Numbers

Angle Babbitt
Bronze Babbitt

| Shaft Size | Frame Size |
|-----------------------------|------------|
| 1-15/16 2-3/16 2-7/16 | HD-200* |
| 2-11/16 2-15/16 | HD-250* |
| 3-7/16 | HD-300* |
| 3-15/16 | HD-350* |
| 4-7/16 4-15/16 | HD-400** |
| 5-7/16 5-15/16 | HD-500** |

* HD-200, HD-250, HD-300 and HD 350 Frames Are Drilled For Two Bolt Base Pillow Blocks. For 4-bolt pillow blocks, refer to note on page B15-31.

** HD-400 And Larger Are Drilled And Tapped Per Order. Specify Bearing Type When Ordering

FEATURES/BENEFITS
PAGE B15-2

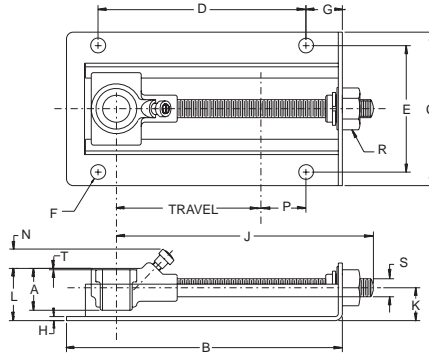
HOW TO ORDER
PAGE B15-6

NOMENCLATURE
PAGE B15-7

SELECTION/DIMENSIONS



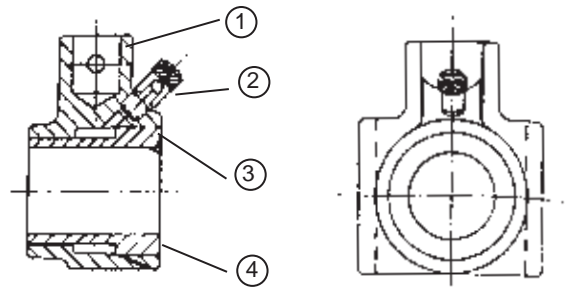
Take-Up Frames - BRONZOIL



| Shaft Size X Travel | Part Number | Description | Wt. | A | B | C | D | E |
|------------------------|----------------|-------------|-----|--------|-------|-------|-------|-------|
| 1/2 x 4 | 034020 | BOTU-008X4 | 1.9 | | | | | |
| 5/8 x 4 | 034021 | BOTU-010X4 | 1.8 | 1-3/16 | 7-5/8 | 4-1/4 | 5-3/4 | 3-1/2 |
| 3/4 x 4 | 034022 | BOTU-012X4 | 1.7 | | | | | |
| 7/8 x 4 | 034023 | BOTU-014X4 | 2.1 | | | | | |
| 15/16 x 4 | 034024 | BOTU-015X4 | 2.0 | 1-9/16 | 7-5/8 | 4-1/4 | 5-3/4 | 3-1/2 |
| 1 x 4 | 034025 | BOTU-100X4 | 1.9 | | | | | |

| Shaft Size X Travel | F Bolt Dia. | G | H | J | K | L | N | P | R Hex. Size | S | T |
|------------------------|-------------------|---|------|-------|-------|--------|------|-------|-------------------|-----|------|
| 1/2 x 4 | | | | | | | | | | | |
| 5/8 x 4 | 3/8 | 1 | 7/64 | 7-1/8 | 29/32 | 1-7/16 | 1/2 | 1-1/4 | 1 | 1/2 | 1/16 |
| 3/4 x 4 | | | | | | | | | | | |
| 7/8 x 4 | | | | | | | | | | | |
| 15/16 x 4 | 3/8 | 1 | 7/64 | 7-1/8 | 29/32 | 1-5/8 | 5/16 | 1-1/4 | 1 | 1/2 | 1/16 |
| 1 x 4 | | | | | | | | | | | |

| BRONZOIL Take-Up Bearing Assembly | | | | | |
|-----------------------------------|-----------------------|--------|--------|--------|--------|
| Size | (TUBO---) Assy. No | 1 | 2 | 3 | 4 |
| 1/2 | 034030 | 034001 | 405046 | 034013 | 444010 |
| 5/8 | 034031 | 034001 | 405046 | 034014 | 444010 |
| 3/4 | 034032 | 034001 | 405046 | 034015 | 444010 |
| 7/8 | 034033 | 034002 | 405046 | 034016 | 444010 |
| 15/18 | 034034 | 034002 | 405046 | 034017 | 444010 |
| 1 | 034035 | 034002 | 405046 | 034018 | 444010 |



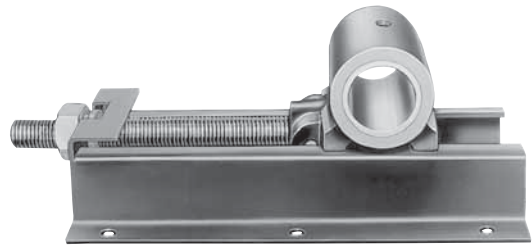
1. BRONZOIL Housing
2. BRONZOIL Take-Up Oil Cup
3. BRONZOIL Bushing
4. BRONZOIL Permawick

| | | | |
|---------------------------------|----------------------------|----------------------------|--|
| FEATURES/BENEFITS PAGE B15-2 | HOW TO ORDER PAGE B15-6 | NOMENCLATURE PAGE B15-7 | |
|---------------------------------|----------------------------|----------------------------|--|

SELECTION/DIMENSIONS



Take-Up Bearings - Type A & B



TYPE A & B TAKE-UP BEARINGS (Only) TYPE A & B TAKE-UP FRAMES DISCONTINUED

| Shaft Size x Travel | Type A Take-Up Bearing | | |
|------------------------|------------------------|---------------|------|
| | Part Number | Description | Wt. |
| 15/16 x 5 | 036180 | TUA-015-TUBRG | 2.6 |
| 1 x 5 | 036181 | TUA-100-TUBRG | 2.5 |
| 1-3/15 x 5 | 036182 | TUA-103-TUBRG | 2.3 |
| 1-1/4 x 5 | 036183 | TUA-104-TUBRG | 2.2 |
| 1-7/16 x 6 | 036184 | TUA-107-TUBRG | 3.5 |
| 1-7/16 x12 | | | |
| 1-11/16 x 6 | 036185 | TUA-111-TUBRG | 4.1 |
| 1-11/16 x12 | | | |
| 1-15/16 x 9 | 036186 | TUA-115-TUBRG | 6.7 |
| 1-15/16 x18 | | | |
| 2-3/16 x 9 | 036187 | TUA-203-TUBRG | 10.1 |
| 2-3/16 x18 | | | |
| 2-7/16 x 9 | 036188 | TUA-207-TUBRG | 8.8 |
| 2-7/16 x18 | | | |

| Shaft Size x Travel | Type B Take-Up Bearing | | |
|------------------------|------------------------|---------------|------|
| | Part Number | Description | Wt. |
| 15/16 x 5 | 036270 | TUB-015-TUBRG | 3.6 |
| 1 x 5 | 036193 | TUB-100-TUBRG | 3.5 |
| 1-3/15 x 5 | 036194 | TUB-103-TUBRG | 3.3 |
| 1-1/4 x 5 | 036274 | TUB-104-TUBRG | 3.2 |
| 1-7/16 x 6 | 036196 | TUB-107-TUBRG | 4.7 |
| 1-7/16 x 12 | | | |
| 1-11/16 x 6 | 036197 | TUB-111-TUBRG | 5.4 |
| 1-11/16 x12 | | | |
| 1-15/16 x 9 | 036198 | TUB-115-TUBRG | 8.6 |
| 1-15/16 x18 | | | |
| 2-3/16 x 9 | 036199 | TUB-203-TUBRG | 12.7 |
| 2-3/16 x18 | | | |
| 2-7/16 x 9 | 036200 | TUB-207-TUBRG | 11.4 |
| 2-7/16 x18 | | | |

FEATURES/BENEFITS
PAGE B15-2

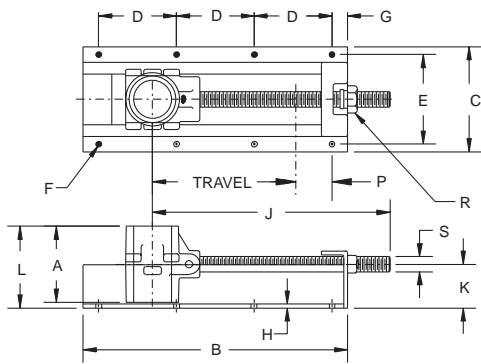
HOW TO ORDER
PAGE B15-6

NOMENCLATURE
PAGE B15-7

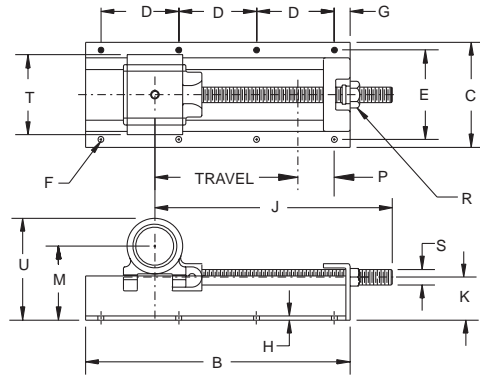
SELECTION/DIMENSIONS



Take-Up Bearings - Type A & B



TYPE TUA



TYPE TUB

| Shaft Size x Travel | A | B | C | D | E | F Bolt | | G | H | J | K |
|--|-------|-------|------------|--------|------------|--------|--------|-------|----------|--------------|------------|
| | | | | | | No. | Dia. | | | | |
| 15/16 x 5 1 x 5 1-3/16 x 5 1- 1/4 x 5 | 2-5/8 | 9-3/4 | 4-3/4 | 3-1/2 | 4 | 6 | 5/16 | 1-3/8 | 1/8 | 8-3/4 | 1-5/8 |
| 1-7/16 x 6 1-7/16 x 12 | 3-1/8 | 1218 | 5-3/45-3/4 | 55-1/4 | 4-3/44-3/4 | 68 | 3/33/8 | 11 | 3/163/16 | 10-1/216-1/2 | 22 |
| 1-11/16 x 6 1-11/16 x 12 | 3-3/8 | 1218 | 5-3/45-3/4 | 55-1/4 | 4-3/44-3/4 | 68 | 3/83/8 | 11 | 3/163/16 | 10-1/216-1/2 | 22 |
| 1-15/16 x 9 1-15/16 x 18 | 4-1/8 | 1726 | 6-3/46-3/4 | 56 | 5-3/45-3/4 | 810 | 3/83/8 | 11 | 1/41/4 | 14-1/223-1/2 | 2-3/42-3/4 |
| 2-3/16 x 9 2-3/16 x 18 | 4-7/8 | 1726 | 6-3/46-3/4 | 56 | 5-3/45-3/4 | 810 | 3/83/8 | 11 | 1/41/4 | 14-1/223-1/2 | 2-3/42-3/4 |
| 2-7/16 x 9 2-7/16 x 18 | 4-7/8 | 1726 | 6-3/46-3/4 | 56 | 5-3/45-3/4 | 810 | 3/83/8 | 11 | 1/41/4 | 14-1/223-1/2 | 2-3/42-3/4 |

| Shaft Size x Travel | L | M | P | R Hex. | S | T | U | Grease Cup | |
|--|-------|------------|------------|-----------|-----|-------|---------|------------|------|
| | | | | | | | | Pipe Tap | Size |
| 15/16 x 5 1 x 5 1-3/16 x 5 1- 1/4 x 5 | 3 | 2-3/4 | 1-5/8 | 1-5/16 | 3/4 | 2-7/8 | 3-27/32 | 1/8 | 0 |
| 1-7/16 x 6 1-7/16 x 12 | 3-5/8 | 3-3/83-3/8 | 2-1/22-1/2 | 1-1/2 | 7/8 | 3-3/8 | 4-19/32 | 1/4 | 0 |
| 1-11/16 x 6 1-11/16 x 12 | 3-3/4 | 3-5/83-5/8 | 2-1/22-1/2 | 1-1/2 | 7/8 | 3-5/8 | 4-31/32 | 1/4 | 0 |
| 1-15/16 x 9 1-15/16 x 18 | 4-7/8 | 4-1/24-1/2 | 3-3/83-3/8 | 1-5/8 | 1 | 4-3/8 | 6-1/32 | 1/4 | 1 |
| 2-3/16 x 9 2-3/16 x 18 | 5-1/4 | 4-3/44-3/4 | 3-1/83-1/8 | 1-5/8 | 1 | 5-1/8 | 6-17/32 | 1/4 | 1 |
| 2-7/16 x 9 2-7/16 x 18 | 5-1/4 | 4-3/44-3/4 | 3-3/83-3/8 | | | | | | |

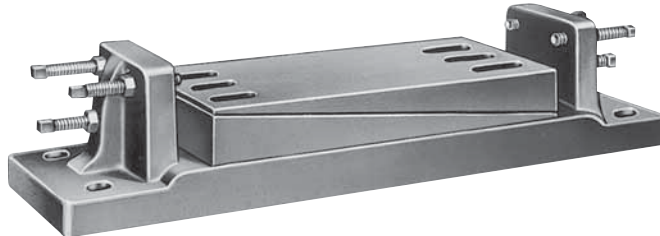
| | | | |
|---------------------------------|----------------------------|----------------------------|--|
| FEATURES/BENEFITS PAGE B15-2 | HOW TO ORDER PAGE B15-6 | NOMENCLATURE PAGE B15-7 | |
|---------------------------------|----------------------------|----------------------------|--|

SELECTION/DIMENSIONS



Baseplate

ADJUSTABLE BASE PLATES FOR TYPE C, SPECIAL DUTY, ALL-STEEL, USAF, ISAF, SAF-XT AND TAF



Base plates provide substantial support for pillow blocks and also a simple method of obtaining shaft alignment at time of installation and realignment when slight changes occur in the supporting structure or foundation. The side screws provide support to the pillow blocks in installations having side strains due to loads imposed by belts, gears or other drives.

The bottom of the base plates are regularly cast smooth, and the "M" dimension as given below is approximate. An extra charge as listed on opposite

page is made when the base plate is ordered with the bottom of the base machined.

Adjustable Base Plate - This type is supplied with tapered wedges with permit an approximate vertical adjustment of from 3/16, above to 3/16, below the normal position. Side screws provide for horizontal adjustment.

Selection of Size - Trace down left hand column to pillow block size, then trace right to the base plate number listed under the type of pillow block.

| Shaft Size | Type of Pillow Block | | | | | |
|------------|----------------------|-----------|----------------|-----------|-------------------------------|-----------|
| | Type C Special Duty | | All-Steel | | SAF-XT & TAF USAF, SAFS, ISAF | |
| | Base Plate No. | M ⚙️ Adj. | Base Plate No. | M ⚙️ Adj. | Base Plate No. | M ⚙️ Adj. |
| 1-11/16 | 270 | 6-1/4 | ... | | | |
| 1-15/16 | 300 | 6-3/4 | | | | |
| 2-3/16 | 320 | 7-1/2 | | | | |
| 2-7/16 | 360 | 8-1/8 | | | 330 | 7-5/16 |
| 2-11/16 | 370 | 9 | 350 | 7-15/16 | 350 | 7-11/16 |
| 2-15/16 | 370 | 9 | 350 | 7-15/16 | 350 | 7-15/16 |
| 3-3/16 | 410 | 10-1/2 | | | 380 | 8-5/8 |
| 3-7/16 | 410 | 10-1/2 | 400 | 9-3/8 | 400 | 9-3/8 |
| 3-15/16 | 460 | 11-7/8 | 430 | 10-1/8 | 430 | 10-1/8 |
| 4-3/16 | ... | | | | 430 | 10-7/8 |
| 4-7/16 | 460 | 12-3/4 | 450 | 11-15/16 | 450 | 11-9/16 |
| 4-15/16 | 500 | 13-1/2 | 450 | 11-15/16 | 480 | 11-15/16 |
| 5-3/16 | ... | | | | 490 | 12-11/16 |
| 5-7/16 | 540 | 16 | 490 | 13 | 490 | 13-1/16 |
| 6 | 540 | 16 | 510B | 14 | 510A | 14-1/16 |
| 6-1/2 | 580 | 19-1/4 | 550A | 15-7/8 | 550B | 15-5/8 |
| 7 | 580 | 19-1/4 | 550A | 15-7/8 | 550A | 16 |
| 8 | 600 | 21-3/4 | 560 | 18-3/4 | 560 | 18-3/4 |
| 9 | 630 | 26-1/2 | 610 | 23-3/8 | 540 | 15-1/4 |
| 10 | 630 | 26-1/2 | 610 | 23-3/8 | 610 * | 17 |

* For use with UAF contact DODGE Application Engineering

⚙️ See drawings on B15-42, When bottom of base plate is machined, the "M" dimension will be reduced approximately 1/4".

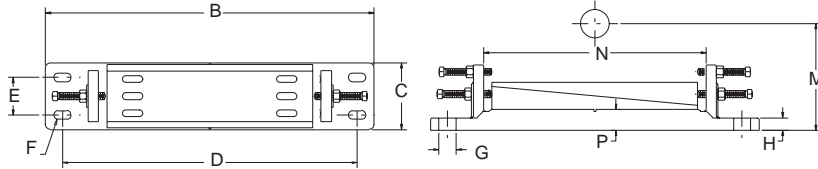
| | | | |
|---------------------------------|----------------------------|----------------------------|--|
| FEATURES/BENEFITS PAGE B15-2 | HOW TO ORDER PAGE B15-6 | NOMENCLATURE PAGE B15-7 | |
|---------------------------------|----------------------------|----------------------------|--|

SELECTION/DIMENSIONS



Baseplates

ADJUSTABLE BASE PLATES FOR TYPE C, SPECIAL DUTY, ALL-STEEL, USAF, ISAF, SAF-XT AND TAF



WEDGE TYPES
TYPE 1



TYPE 2



TYPE 3



TYPE 4



BASE PLATES FOR DODGE PILLOW BLOCKS

| Base Plate No. | Adjustable Base Plate | | Wedge Type | B | C | D | 4-Bolt Base | | G | H | N | P |
|----------------|-----------------------|------|------------|--------|--------|--------|-------------|--------|---------|-------|--------|-------|
| | Part No. | Wt. | | | | | E | F-Bolt | | | | |
| 270 Å | 079023 | 23 | 1 | 18-1/2 | 3-5/8 | 16-1/2 | 2-1/4 | 1/2 | 1 | 1 | 12-1/4 | 1-1/2 |
| 300 Å | 079026 | 36 | 1 | 21-1/2 | 3-3/4 | 19 | 2-1/4 | 5/8 | 1-1/4 | 1-1/8 | 14 | 1-3/4 |
| 320 Å | 079029 | 44 | 1 | 22-1/2 | 4-1/4 | 20 | 2-1/2 | 5/8 | 1-1/4 | 1-1/8 | 15 | 1-3/4 |
| 330 Å | 057021 | 52 | 2 | 23-1/4 | 3-3/4 | 21 | 2 | 5/8 | 15/16 | 1-1/4 | 15-3/4 | 2 |
| 350 Å | 057024 | 58 | 2 | 24-3/4 | 4 | 22-1/2 | 2 | 5/8 | 15/16 | 1-1/4 | 17 | 2 |
| 360 Å | 079032 | 51 | 2 | 24 | 4-1/2 | 21-1/2 | 2-1/2 | 5/8 | 1-1/4 | 1-1/4 | 16-1/2 | 2 |
| 370 Å | 079035 | 58 | 2 | 26 | 5 | 23-1/2 | 2-3/4 | 5/8 | 1-1/4 | 1-1/4 | 18 | 2 |
| 380 Å | 057018 | 67 | 2 | 25-3/4 | 4-1/2 | 23-1/2 | 2-1/4 | 5/8 | 15/16 | 1-1/4 | 17-3/4 | 2-1/4 |
| 400 Å | 057027 | 87 | 2 | 28-1/2 | 4-3/4 | 26 | 2-1/2 | 3/4 | 1-1/8 | 1-3/8 | 18-3/4 | 2-3/8 |
| 410 | 079038 | 98 | 2 | 30 | 5-3/4 | 27 | 3-1/4 | 3/4 | 1-1/2 | 1-3/8 | 19-3/4 | 2-3/8 |
| 430 | 057030 | 108 | 3 | 30-3/4 | 5 | 27-3/4 | 2-1/2 | 7/8 | 15/16 | 1-1/2 | 20-1/2 | 2-1/2 |
| 450 | 057033 | 126 | 3 | 32-3/4 | 5-1/2 | 29-3/4 | 3 | 7/8 | 15/16 | 1-1/2 | 22-1/2 | 2-1/2 |
| 460 | 079041 | 169 | 3 | 34-1/2 | 7-3/4 | 31 | 4-1/2 | 7/8 | 1-3/4 | 1-1/2 | 23-3/4 | 2-1/2 |
| 480 | 057036 | 174 | 3 | 35 | 6-7/8 | 31-3/4 | 3-1/4 | 1 | 1-1/2 | 1-5/8 | 23-7/8 | 2-3/4 |
| 490 | 057039 | 170 | 3 | 36-1/2 | 6-1/2 | 33-1/4 | 3-1/2 | 1 | 1-1/2 | 1-5/8 | 25-1/2 | 2-7/8 |
| 500 | 079044 | 172 | 3 | 39 | 8-1/2 | 35 | 5 | 1 | 2 | 1-5/8 | 26-3/4 | 2-3/4 |
| 510A | 079080 | 230 | 3 | 41-1/4 | 7 | 37-1/2 | 4 | 1-1/8 | 1-11/16 | 1-3/4 | 28-1/8 | 3 |
| 510B | 079081 | | | | | | | | | | | |
| 540 | 079087 | 330 | 3 | 48 | 9-3/4 | 43 | 5-1/2 | 1-1/8 | 2-1/2 | 1-3/4 | 32-1/2 | 3 |
| 550A | 079082 | 350 | 3 | 47-3/4 | 7-3/4 | 43 | 4 | 1-1/2 | 2-1/4 | 2-1/8 | 32 | 3-1/2 |
| 550B | 079083 | | | | | | | | | | | |
| 560 | 079084 | 430 | 3 | 52-1/4 | 9 | 47-1/2 | 4-1/2 | 1-3/4 | 2-5/8 | 2-1/4 | 35-3/4 | 4 |
| 580 | 079088 | 575 | 3 | 59 | 10-3/4 | 52 | 6 | 1-1/2 | 3 | 2-1/8 | 40 | 3-1/2 |
| 600 | 079089 | 950 | 3 | 66 | 11-3/4 | 59 | 6-1/2 | 1-3/4 | 3-1/2 | 2-1/8 | 45 | 4 |
| 610 | 079086 | 1300 | 4 | 65-1/2 | 12 | 59-1/2 | 6-1/2 | 2 | 3 | 3 | 44 | 5 |
| 630 | 079090 | 2150 | 4 | 73-1/2 | 16 | 67-1/2 | 10 | 2 | 3 | 3 | 51 | 5 |

* Base plates are furnished with 4-bolt base only. These accept pillow blocks as Å noted 2-bolt on y, Å 2 or 4-bolt, all others accept 4-bolt only.

| | | | |
|---------------------------------|----------------------------|----------------------------|--|
| FEATURES/BENEFITS PAGE B15-2 | HOW TO ORDER PAGE B15-6 | NOMENCLATURE PAGE B15-7 | |
|---------------------------------|----------------------------|----------------------------|--|

NOTES



Take-Up Frames

Engineering

Index

CONTENTS



ENGINEERING/TECHNICAL

| | |
|---|----------|
| BEARING ENGINEERING SECTION | |
| Vibration Frequencies of Anti-Friction Mounted Bearings | B16-2 |
| Bearing Life Adjustment Factors | B16-9 |
| (Rolling Element Bearings) | |
| PT COMPONENT ENGINEERING SECTION | |
| V-Belt Drive Formulas | B16-11 |
| Conveyor Belt FPM to RPM | B16-12 |
| Material Characteristics | B16-13 |
| GENERAL ENGINEERING SECTION | |
| Shafting | B16-15 |
| Expansion of Shafting | B16-20 |
| Weights/Properties of Steel Shafting | B16-21 |
| Oil Viscosity Classification | B16-23 |
| English Standard Measurement | B16-24 |
| Metric Standard Measurement & Conversion | B16-26 |
| Common Conversion Factors | B16-27 |
| Flywheel Formulas | B16-34 |
| Centrifugal Force | B16-34 |
| Formulas and Constants | B16-33 |
| Torque and Horsepower Equivalents | B16-35 |
| Overhung Loads | B16-35 |
| Mathematical Equations | B16-35 |
| Strength and Physical Properties of Various Metals | B16-36 |
| Properties of Sections | B16-37 |
| Coefficients of Friction | B16-38 |
| Hardness Comparison | B16-38 |
| U.S. Standard Sheet Metal Gages | B16-38 |
| Trigonometric Formula | B16-39 |
| A-C Motor Information | B16-40 |
| Part Number Index | INDEX-1 |
| Key Word Index | INDEX-34 |

Take-Up Frames

Engineering

Index

Vibration Frequencies of DODGE Anti-Friction Mounted Bearings

More and more manufacturing facilities are getting involved with plant-wide preventive maintenance programs. By monitoring vibration levels of motors, pumps, fans and compressors, maintenance supervisors can predict imminent failures. Knowing that a piece of equipment is showing signs of potential failure permits scheduling of maintenance at an appropriate time and avoids the consequences of catastrophic failures. Shown in Tables 1 - 10 are vibration frequencies generated by bearing components defects. All frequencies are based on unity inner ring or cone rotation.

How to Use the Tables

If a 2-7/16 Type E pillow block is rotating at 1000 RPM, the vibration due to a failed component will show up at the following frequencies: (Table 3, Line 6)

Frequency

| | | |
|---|--------------------|-------------|
| Cup Nick or Spall | = 1000 x 9.251 | = 9251 RPM |
| Cone Nick or Spall | = 1000 x 11.749 | = 11749 RPM |
| *Roller Nick or Spall | = 1000 x 4.011 x 2 | = 8022 RPM |
| Cage (Train) Frequency (Inner Ring Rotation) | = 1000 x 0.441 | = 441 RPM |

Since all the values in Tables 1 - 10 are based on unity inner ring or cone rotation, the vibration due to flaws will show up at the frequencies obtained by multiplying the RPM times the factors found on the appropriate table. The resulting product will have units of RPM.

Table 1: All Setscrew, Eccentric, D-LOK & GT Ball Bearing Parameters For Vibration Analysis (1-RPS)

| Series | SC Bore | SCM Bore | # Balls | Diameter of Balls | Pitch Diameter | Outer Ring Frequency Hz | Inner Ring Frequency Hz | * Ball Spin Frequency Hz | Cage Frequency Hz |
|--------|-----------------|-----------------|---------|-------------------|----------------|-------------------------|-------------------------|--------------------------|-------------------|
| 203 | 1/2 - 5/8 | | 8 | 17/64 | 1.1506 | 3.076569 | 4.923431 | 2.050406 | 0.384571 |
| 204 | 1/2 - 3/4 | | 8 | 5/16 | 1.3251 | 3.056675 | 4.943325 | 2.002244 | 0.382084 |
| 205 | 7/8 - 1 | | 9 | 5/16 | 1.5325 | 3.582382 | 5.417618 | 2.350042 | 0.398042 |
| 206 | 1-1/6 - 1-1/4 | 1 | 9 | 3/8 | 1.823 | 3.574328 | 5.425672 | 2.327814 | 0.397148 |
| 207 | 1-1/4 - 1-7/16 | 1-3/16 | 9 | 7/16 | 2.136 | 3.578301 | 5.421699 | 2.338732 | 0.397589 |
| 208 | 1-1/2 - 1-5/8 | 1-7/16 - 1-1/2 | 9 | 1/2 | 2.387 | 3.557394 | 5.442606 | 2.282266 | 0.395266 |
| 209 | 1-11/16 - 1-3/4 | 1-1/2 | 9 | 13/25 | 2.5591 | 3.585616 | 5.414384 | 2.359075 | 0.398402 |
| 210 | 1-15/16 - 2 | 1-11/16 - 1-3/4 | 10 | 1/2 | 2.7645 | 4.095677 | 5.904323 | 2.674068 | 0.409568 |
| 211 | 2-2-1/4 | 1-15/16 - 2 | 10 | 9/16 | 3.092 | 4.090395 | 5.909605 | 2.657484 | 0.409039 |
| 212 | 2-1/4 - 2-7/16 | 2-3/16 - 2-1/4 | 10 | 5/8 | 3.385 | 4.076809 | 5.923191 | 2.615681 | 0.407681 |
| 214 | 2-11/16 | 2-7/16 - 2-1/2 | 10 | 11/16 | 3.775 | 4.089404 | 5.910596 | 2.654395 | 0.408940 |
| 215 | 2-15/16 | 2-11/16 | 11 | 11/16 | 4.085 | 4.574357 | 6.425643 | 2.886760 | 0.415851 |
| 216 | | 2-15/16 - 3 | 11 | 3/4 | 4.33 | 4.547344 | 6.452656 | 2.800062 | 0.413395 |
| 218 | | 3-7/16 - 3-1/2 | 11 | 27/32 | 4.9199 | 4.556764 | 6.443236 | 2.829748 | 0.414251 |

Table 2: CC Ball Bearing Parameters For Vibration Analysis (1-RPS)

| Series | Shaft Size | # Balls | Diameter of Balls | Pitch Diameter | Outer Ring Frequency Hz | Inner Ring Frequency Hz | * Ball Spin Frequency Hz | Cage Frequency Hz |
|--------|-----------------|---------|-------------------|----------------|-------------------------|-------------------------|--------------------------|-------------------|
| 205 | 15/16 - 1 | 9 | 5/16 | 1.516 | 3.572394 | 5.427606 | 2.322533 | 0.396933 |
| 206 | 1-1/8 - 1-3/16 | 9 | 3/8 | 1.811 | 3.568194 | 5.431806 | 2.311133 | 0.396466 |
| 207 | 1-1/4 - 1-7/16 | 9 | 7/16 | 2.106 | 3.565171 | 5.434829 | 2.302987 | 0.396130 |
| 209 | 1-11/16 - 1-3/4 | 9 | 1/2 | 2.362 | 3.547417 | 5.452583 | 2.256157 | 0.394157 |
| 210 | 1-15/16 | 10 | 1/2 | 2.756 | 4.092888 | 5.907112 | 2.665289 | 0.409289 |
| 211 | 2-3/16 | 10 | 9/16 | 3.051 | 4.078171 | 5.921829 | 2.619817 | 0.407817 |

* **Note:** Ball and Roller Spin Frequencies are listed at one (1X) roller spin frequency. For thorough analysis it is important to check frequency level at two (2X) rotational speed of balls or rollers as this is the frequency that a single ball/roller defect will contact the raceways of the bearing. In other words, a ball/roller defect will strike both inner and outer ring in one revolution of the roller.

Table 3: Type E, K, DI, and TAF Tapered Roller Bearing Parameters For Vibration Analysis (1-RPS)

| Bore Size | # Rollers Per Row | Mean Diameter of Rollers | Pitch Diameter | Contact Angle | Cup Frequency Hz | Cone Frequency Hz | * Roller Spin Frequency Hz | Cage Frequency Hz |
|-----------------|-------------------|--------------------------|----------------|---------------|------------------|-------------------|----------------------------|-------------------|
| 1-3/16 - 1-1/4 | 19 | 0.23 | 1.774 | 17.533 | 8.325540 | 10.674460 | 3.797580 | 0.438186 |
| 1-3/8 - 1-7/16 | 20 | 0.29 | 2.084 | 16.5 | 8.665750 | 11.334250 | 3.529138 | 0.433287 |
| 1-1/2 - 1-11/16 | 18 | 0.35 | 2.411 | 16 | 7.744100 | 10.255900 | 3.377216 | 0.430228 |
| 1-3/4 - 2 | 17 | 0.41 | 2.709 | 12.033 | 7.241814 | 9.758186 | 3.231274 | 0.425989 |
| 2-3/16 | 19 | 0.41 | 3.014 | 13.283 | 8.242270 | 10.757730 | 3.611184 | 0.433804 |
| 2-1/4 - 2-1/2 | 21 | 0.41 | 3.337 | 14.5 | 9.251011 | 11.748989 | 4.011931 | 0.440524 |
| 2-11/16 - 3 | 24 | 0.41 | 3.9 | 16.733 | 10.791879 | 13.208121 | 4.707891 | 0.449662 |
| 3-3/16 - 3-1/2 | 26 | 0.46 | 4.78 | 18.167 | 11.811316 | 14.188684 | 5.152213 | 0.454281 |
| 3-15/16 - 4 | 26 | 0.51 | 5.12 | 17.567 | 11.765467 | 14.234533 | 4.974340 | 0.452518 |
| 4-7/16 - 4-1/2 | 25 | 0.59 | 5.727 | 18.983 | 11.282275 | 13.717725 | 4.807330 | 0.451291 |
| 4-15/16 - 5 | 25 | 0.68 | 6.568 | 17 | 11.262395 | 13.737605 | 4.782071 | 0.450496 |
| 5-7/16 - 6 | 32 | 0.67 | 8.444 | 17.75 | 14.790895 | 17.209105 | 6.265507 | 0.462215 |
| 6-7/16 - 7 | 27 | 0.93 | 9.791 | 19.167 | 12.288783 | 14.711217 | 5.221605 | 0.455140 |

Cup Frequency = $N * RPM * (1 - (Bd * \cos a / Pd)) / 120$

Cone Frequency = $N * RPM * (1 + (Bd * \cos a / Pd)) / 120$

Roller Spin Frequency = $Pd * RPM * (1 - (Bd * \cos a / Pd)^2) / (120 * Bd)$

Cage Frequency = $RPM * (1 - (Bd * \cos a / Pd)) / 120$

Pd = Pitch Diameter

N = Number of rollers

Bd = Roller Diameter

a = Cup Angle (contact angle)

Table 4: Type C Tapered Roller Bearing Parameters For Vibration Analysis (1-RPS)

| Bore Size | # Rollers Per Row | Mean Diameter of Rollers | Pitch Diameter | Contact Angle | Cup Frequency Hz | Cone Frequency Hz | * Roller Spin Frequency Hz | Cage Frequency Hz |
|------------------|-------------------|--------------------------|----------------|---------------|------------------|-------------------|----------------------------|-------------------|
| 1-3/16 - 1-7/16 | 19 | 0.31 | 2.251 | 14.92 | 8.235801 | 10.764199 | 3.566352 | 0.433463 |
| 1-1/2 - 1-3/4 | 21 | 0.32 | 2.604 | 11.50 | 9.235581 | 11.764419 | 4.009748 | 0.439790 |
| 1-15/16 | 22 | 0.33 | 2.848 | 15.00 | 9.768852 | 12.231148 | 4.261097 | 0.444039 |
| 2 - 2-1/4 | 21 | 0.40 | 3.335 | 16.83 | 9.294571 | 11.705429 | 4.113807 | 0.442599 |
| 2-3/16 - 2-7/16 | 25 | 0.35 | 3.533 | 18.00 | 11.322284 | 13.677716 | 5.002340 | 0.452891 |
| 2-1/2 - 2-11/16 | 23 | 0.43 | 3.827 | 16.50 | 10.261076 | 12.738924 | 4.398352 | 0.446134 |
| 2-7/16 - 2-15/16 | 26 | 0.42 | 4.22 | 16.50 | 11.759442 | 14.240558 | 4.978061 | 0.452286 |
| 3 - 3-3/16 | 22 | 0.55 | 4.612 | 16.50 | 9.742225 | 12.257775 | 4.137910 | 0.442828 |
| 3-1/4 - 3-7/16 | 24 | 0.51 | 4.761 | 16.42 | 10.766982 | 13.233018 | 4.618367 | 0.448624 |
| 3-1/2 - 4 | 25 | 0.59 | 5.727 | 18.98 | 11.282253 | 13.717747 | 4.807328 | 0.451290 |
| 4-7/16 - 4-1/2 | 33 | 0.46 | 3.109 | 11.50 | 14.107710 | 18.892290 | 3.308310 | 0.427506 |
| 4-15/16 - 5 | 26 | 0.68 | 6.983 | 18.00 | 11.796028 | 14.203972 | 5.090519 | 0.453693 |

Cup Frequency = $N * RPM * (1 - (Bd * \cos a / Pd)) / 120$

Cone Frequency = $N * RPM * (1 + (Bd * \cos a / Pd)) / 120$

Roller Spin Frequency = $Pd * RPM * (1 - (Bd * \cos a / Pd)^2) / (120 * Bd)$

Cage Frequency = $RPM * (1 - (Bd * \cos a / Pd)) / 120$

Pd = Pitch Diameter

N = Number of rollers

Bd = Roller Diameter

a = Cup Angle (contact angle)

*** Note:** Ball and Roller Spin Frequencies are listed at one (1X) roller spin frequency. For thorough analysis it is important to check frequency level at two (2X) rotational speed of balls or rollers as this is the frequency that a single ball/roller defect will contact the raceways of the bearing. In other words, a ball/roller defect will strike both inner and outer ring in one revolution of the roller.

Table 5: Special Duty Tapered Roller Bearing Parameters For Vibration Analysis (1-RPS)

| Bore Size | # Rollers Per Row | Mean Diameter of Rollers | Pitch Diameter | Contact Angle | Cup Frequency Hz | Cone Frequency Hz | * Roller Spin Frequency Hz | Cage Frequency Hz |
|----------------|-------------------|--------------------------|----------------|---------------|------------------|-------------------|----------------------------|-------------------|
| 1-3/8 - 1-1/2 | 16 | 0.40 | 2.563 | 11.54 | 6.776702 | 9.223298 | 3.128839 | 0.423544 |
| 1-9/16 - 1-3/4 | 18 | 0.40 | 2.854 | 12.72 | 7.769570 | 10.230430 | 3.500820 | 0.431643 |
| 1-7/8 - 2 | 19 | 0.41 | 3.014 | 13.28 | 8.242255 | 10.757745 | 3.611183 | 0.433803 |
| 2-1/8 - 2-1/4 | 22 | 0.41 | 3.475 | 15 | 9.746381 | 12.253619 | 4.182764 | 0.443017 |
| 2-3/8 - 2-1/2 | 20 | 0.46 | 3.695 | 14.38 | 8.794078 | 11.205922 | 3.957897 | 0.439704 |
| 2-5/8 - 3 | 22 | 0.51 | 4.336 | 15.07 | 9.750677 | 12.249323 | 4.196146 | 0.443213 |
| 3-3/16 - 3-1/2 | 23 | 0.59 | 5.22 | 17.42 | 10.259806 | 12.740194 | 4.372280 | 0.446079 |
| 3-11/16 - 4 | 23 | 0.68 | 5.942 | 15.50 | 10.231809 | 12.768191 | 4.315984 | 0.444861 |
| 4-7/16 - 4-1/2 | 26 | 0.68 | 6.983 | 18 | 11.796028 | 14.203972 | 5.090519 | 0.453693 |
| 4-15/16 - 5 | 24 | 0.81 | 7.537 | 16.42 | 10.762960 | 13.237040 | 4.603028 | 0.448457 |
| 5-7/16 - 6 | 24 | 0.93 | 9.123 | 17.33 | 10.832249 | 13.167751 | 4.858391 | 0.451344 |
| 6-1/2 - 7 | 29 | 0.93 | 10.19 | 19.23 | 13.250482 | 15.749518 | 5.437812 | 0.456913 |
| 7-15/16 - 8 | 27 | 1.12 | 11.471 | 12.42 | 12.212741 | 14.787259 | 5.074422 | 0.452324 |
| 8-1/2 - 10 | 41 | 0.87 | 13.979 | 16.40 | 19.276067 | 21.723933 | 8.005271 | 0.470148 |
| 11 - 12 | 37 | 1.20 | 16.061 | 12.50 | 17.150534 | 19.849466 | 6.656476 | 0.463528 |

$$\text{Cup Frequency} = N * \text{RPM} * (1 - (\text{Bd} * \cos a / \text{Pd})) / 120$$

$$\text{Cone Frequency} = N * \text{RPM} * (1 + (\text{Bd} * \cos a / \text{Pd})) / 120$$

$$\text{Roller Spin Frequency} = \text{Pd} * \text{RPM} * (1 - (\text{Bd} * \cos a / \text{Pd})^2) / (120 * \text{Bd})$$

$$\text{Cage Frequency} = \text{RPM} * (1 - (\text{Bd} * \cos a / \text{Pd})) / 120$$

Pd = Pitch Diameter

N = Number of rollers

Bd = Roller Diameter

a = Cup Angle (contact angle)

Table 6: All Steel Tapered Roller Bearing Parameters For Vibration Analysis (1-RPS)

| Bore Size | # Rollers Per Row | Mean Diameter of Rollers | Pitch Diameter | Contact Angle | Cup Frequency Hz | Cone Frequency Hz | * Roller Spin Frequency Hz | Cage Frequency Hz |
|----------------|-------------------|--------------------------|----------------|---------------|------------------|-------------------|----------------------------|-------------------|
| 2-11/16 - 3 | 27 | 0.36 | 4.114 | 15.50 | 12.361632 | 14.638368 | 5.673261 | 0.457838 |
| 3-1/4 - 3-1/2 | 26 | 0.51 | 5.120 | 17.57 | 11.765488 | 14.234512 | 4.974342 | 0.452519 |
| 3-15/16 - 4 | 33 | 0.48 | 5.814 | 12.50 | 15.170061 | 17.829939 | 6.016904 | 0.459699 |
| 4-7/16 - 4-1/2 | 29 | 0.60 | 6.503 | 12.92 | 13.196026 | 15.803974 | 5.375340 | 0.455035 |
| 4-15/16 - 5 | 32 | 0.61 | 7.355 | 12.50 | 14.704466 | 17.295534 | 5.989163 | 0.459515 |
| 5-7/16 | 27 | 0.84 | 8.272 | 12 | 12.159067 | 14.840933 | 4.875231 | 0.450336 |
| 5-15/16 - 6 | 26 | 0.85 | 8.323 | 12 | 11.701366 | 14.298634 | 4.847026 | 0.450053 |
| 6-7/16 - 7 | 32 | 0.81 | 9.748 | 12.50 | 14.702011 | 17.297989 | 5.977683 | 0.459438 |
| 7-1/2 - 8 | 27 | 1.12 | 11.471 | 12.42 | 12.212741 | 14.787259 | 5.074422 | 0.452324 |
| 9 - 10 | 32 | 1.28 | 14.026 | 12.03 | 14.571921 | 17.428079 | 5.435259 | 0.455373 |

$$\text{Cup Frequency} = N * \text{RPM} * (1 - (\text{Bd} * \cos a / \text{Pd})) / 120$$

$$\text{Cone Frequency} = N * \text{RPM} * (1 + (\text{Bd} * \cos a / \text{Pd})) / 120$$

$$\text{Roller Spin Frequency} = \text{Pd} * \text{RPM} * (1 - (\text{Bd} * \cos a / \text{Pd})^2) / (120 * \text{Bd})$$

$$\text{Cage Frequency} = \text{RPM} * (1 - (\text{Bd} * \cos a / \text{Pd})) / 120$$

Pd = Pitch Diameter

N = Number of rollers

Bd = Roller Diameter

a = Cup Angle (contact angle)

*** Note:** Ball and Roller Spin Frequencies are listed at one (1X) roller spin frequency. For thorough analysis it is important to check frequency level at two (2X) rotational speed of balls or rollers as this is the frequency that a single ball/roller defect will contact the raceways of the bearing. In other words, a ball/roller defect will strike both inner and outer ring in one revolution of the roller.

Table 7: Spherical Roller Bearing Parameters for Vibration Analysis (1-RPS)

| Basic Bearing Series | USAF/SAF-XT Bore Sizes (in) | S2000 Unisphere II Bore Sizes (in) | Imperial Bore Sizes (in) | # Rollers Per Row | Diameter of Rollers | Pitch Diameter | Contact Angle | Outer Ring Frequency Hz | Inner Ring Frequency Hz | * Roller Spin Frequency Hz | Cage Frequency Hz |
|----------------------|-----------------------------|------------------------------------|--------------------------|-------------------|---------------------|----------------|---------------|-------------------------|-------------------------|----------------------------|-------------------|
| 22207E1ASKM | | | | 15 | 0.3937 | 2.166 | 11.750 | 6.165339 | 8.834661 | 2.663713 | 0.411023 |
| 22208E1ASKM | | 1-3/8 - 1-1/2 | 1-1/8 - 1-1/2 | 15 | 0.4488 | 2.449 | 10.583 | 6.148942 | 8.851058 | 2.639849 | 0.409929 |
| 22209E1ASKM | 1-7/16 | 1-11/16 - 1-3/4 | 1-5/8 - 1-3/4 | 17 | 0.4291 | 2.665 | 9.750 | 7.151157 | 9.848843 | 3.027139 | 0.420656 |
| 22210E1ASKM | 1-11/16 | 1-15/16 - 2 | 1-7/8 - 2 | 18 | 0.4331 | 2.858 | 9.083 | 7.653247 | 10.346753 | 3.225588 | 0.425180 |
| 22211E1ASKM | 1-15/16 | 2-3/16 | 2-3/16 - 2-1/4 | 19 | 0.4646 | 3.189 | 8.750 | 8.132069 | 10.867931 | 3.360826 | 0.428004 |
| 22213E1ASKM | 2-3/16 | 2 -7/16 | 2-3/8 - 2-1/2 | 18 | 0.5827 | 3.795 | 9.083 | 7.635432 | 10.364568 | 3.181534 | 0.424191 |
| 22215E1ASKM | 2-7/16 - 2-1/2 | 2-11/16 - 3 | 2-11/16 - 3 | 20 | 0.5748 | 4.197 | 8.250 | 8.644623 | 11.355377 | 3.583768 | 0.432231 |
| 22216E1ASKM | 2-11/16 - 2-3/4 | | | 19 | 0.6535 | 4.48 | 8.167 | 8.128283 | 10.871717 | 3.356234 | 0.427804 |
| 22217E1ASKM | 2-15/16 - 3 | | | 18 | 0.7323 | 4.764 | 8.417 | 7.631462 | 10.368538 | 3.177554 | 0.423970 |
| 22218E1ASKM | 3-3/16 | 3-7/16 | 3-3/16 - 3-1/2 | 18 | 0.7795 | 5.079 | 8.833 | 7.635107 | 10.364893 | 3.182930 | 0.424173 |
| 22220E1ASKM | 3-7/16 - 3-1/2 | 3-15/16 - 4 | 3-11/16 - 4 | 18 | 0.878 | 5.705 | 9.000 | 7.631952 | 10.368048 | 3.173794 | 0.423997 |
| 22222E1ASKM | 3-15/16 - 4 | 4-7/16 | 4-7/16 - 4-1/2 | 17 | 1.0197 | 6.287 | 9.417 | 7.139947 | 9.860053 | 3.003844 | 0.419997 |
| 22224E1ASKM | 4-3/16 | | | 18 | 1.0472 | 6.819 | 9.417 | 7.636487 | 10.363513 | 3.181095 | 0.424249 |
| 22226E1ASKM | 4-7/16 - 4-1/2 | 4-15/16 | 4-15/16 - 5 | 18 | 1.1181 | 7.307 | 9.750 | 7.642733 | 10.357267 | 3.193282 | 0.424596 |
| 22228E1ASKM | 4-15/16 - 5 | | 5-7/16 - 5-1/2 | 18 | 1.2165 | 7.933 | 9.583 | 7.639139 | 10.360861 | 3.186035 | 0.424397 |
| 22230E1ASKM | 5-3/16 | | | 18 | 1.315 | 8.559 | 9.500 | 7.636209 | 10.363791 | 3.179646 | 0.424234 |
| 22232E1ASKM | 5-7/16 - 5-1/2 | | 5-15/16 - 6 | 18 | 1.4094 | 9.189 | 9.667 | 7.639189 | 10.360811 | 3.185371 | 0.424399 |
| 22234E1ASKM | 5-15/16 - 6 | | | 17 | 1.5827 | 9.74 | 9.833 | 7.139085 | 9.860915 | 2.998143 | 0.419946 |
| 22236E1ASKM | 6-7/16 - 6-1/2 | | 6-7/16 - 7 | 18 | 1.5591 | 10.157 | 9.417 | 7.637116 | 10.362884 | 3.182632 | 0.424284 |
| 22238E1ASKM | 6-15/16 - 7 | | | 20 | 1.4961 | 10.669 | 10.667 | 8.621944 | 11.378056 | 3.497892 | 0.431097 |
| 22240E1ASKM | 7-3/16 | | | 19 | 1.6142 | 11.021 | 10.833 | 8.133372 | 10.866628 | 3.343119 | 0.428072 |
| 22244E1ASKM | 7-1/2 - 8 | | | 19 | 1.8504 | 12.48 | 10.833 | 8.116546 | 10.883454 | 3.300728 | 0.427187 |
| 23048KMB | 8-7/16 - 9 | | | 29 | 1.1417 | 12.008 | 9.333 | 13.139616 | 15.860384 | 5.212536 | 0.453090 |
| 23052KMB | 9-7/16 - 9-1/2 | | | 27 | 1.378 | 13.228 | 9.667 | 12.113633 | 14.886367 | 4.749092 | 0.448653 |
| 23056KMB | 9-15/16 - 10-1/2 | | | 28 | 1.378 | 13.976 | 9.333 | 12.637908 | 15.362092 | 5.023115 | 0.451354 |

Outer Ring Frequency = $N * RPM * (1 - (Bd * \cos a / Pd)) / 120$

Inner Ring Frequency = $N * RPM * (1 + (Bd * \cos a / Pd)) / 120$

Roller Spin Frequency = $Pd * RPM * (1 - (Bd * \cos a / Pd)^2) / (120 * Bd)$

Cage Frequency = $RPM * (1 - (Bd * \cos a / Pd)) / 120$

Pd = Pitch Diameter

N = Number of rollers

Bd = Roller Diameter

a = Contact Angle

*** Note:** Ball and Roller Spin Frequencies are listed at one (1X) roller spin frequency. For thorough analysis it is important to check frequency level at two (2X) rotational speed of balls or rollers as this is the frequency that a single ball/roller defect will contact the raceways of the bearing. In other words, a ball/roller defect will strike both inner and outer ring in one revolution of the roller.

Table 8: DODGE USAF Air Handling Spherical Roller Bearing Parameters For Vibration Analysis (1-RPS)

| Bore Size | Basic Bearing Series | # Rollers Per Row | Diameter of Rollers | Pitch Diameter | Contact Angle | Outer Ring Frequency Hz | Inner Ring Frequency Hz | * Roller Spin Frequency Hz | Cage Frequency Hz |
|-----------------|----------------------|-------------------|---------------------|----------------|---------------|-------------------------|-------------------------|----------------------------|-------------------|
| 1-7/16 | 22209E1K | 17 | 0.3937 | 2.5976 | 10.0000 | 7.231287 | 9.768713 | 3.225462 | 0.425370 |
| 1-11/16 | 22210E1K | 19 | 0.3937 | 2.7976 | 9.2500 | 8.180471 | 10.819529 | 3.484413 | 0.430551 |
| 1-15/16 | 22211E1K | 18 | 0.4528 | 3.0921 | 8.9200 | 7.698000 | 10.302000 | 3.342963 | 0.427667 |
| 2-3/16 | 22213E1K | 19 | 0.5315 | 3.7110 | 9.2500 | 8.157076 | 10.842924 | 3.421302 | 0.429320 |
| 2-7/16 - 2-1/2 | 22215E1K | 21 | 0.5315 | 4.1098 | 8.3300 | 9.156413 | 11.843587 | 3.802922 | 0.436020 |
| 2-11/16 - 2-3/4 | 22216E1K | 20 | 0.5709 | 4.3638 | 8.2500 | 8.705275 | 11.294725 | 3.757794 | 0.435264 |
| 2-15/16 - 3 | 22217E1K | 20 | 0.6299 | 4.6811 | 8.5000 | 8.669157 | 11.330843 | 3.649937 | 0.433458 |
| 3-3/16 | 22218E1K | 20 | 0.6693 | 4.9602 | 8.8300 | 8.666651 | 11.333349 | 3.639636 | 0.433333 |
| 3-7/16 - 3-1/2 | 22220E1K | 19 | 0.7677 | 5.5606 | 9.0000 | 8.204572 | 10.795428 | 3.554256 | 0.431820 |
| 3-15/16 - 4 | 22222E1K | 19 | 0.8661 | 6.1559 | 9.4200 | 8.181428 | 10.818572 | 3.485342 | 0.430601 |
| 4-3/16 | 22224E1K | 19 | 0.9252 | 6.6382 | 9.5800 | 8.194401 | 10.805599 | 3.519683 | 0.431284 |
| 4-7/16 - 4-1/2 | 22226E1K | 19 | 0.9843 | 7.1358 | 9.9200 | 8.209178 | 10.790822 | 3.557887 | 0.432062 |
| 4-15/16 - 5 | 22228E1K | 19 | 1.0630 | 7.7232 | 9.6700 | 8.211024 | 10.788976 | 3.565861 | 0.432159 |

Outer Ring Frequency = $N * RPM * (1 - (Bd * \cos a / Pd)) / 120$

Inner Ring Frequency = $N * RPM * (1 + (Bd * \cos a / Pd)) / 120$

Roller Spin Frequency = $Pd * RPM * (1 - (Bd * \cos a / Pd)^2) / (120 * Bd)$

Cage Frequency = $RPM * (1 - (Bd * \cos a / Pd)) / 120$

Pd = Pitch Diameter

N = Number of rollers

Bd = Roller Diameter

a = Contact Angle

*** Note:** Ball and Roller Spin Frequencies are listed at one (1X) roller spin frequency. For thorough analysis it is important to check frequency level at two (2X) rotational speed of balls or rollers as this is the frequency that a single ball/roller defect will contact the raceways of the bearing. In other words, a ball/roller defect will strike both inner and outer ring in one revolution of the roller.

Table 9: Split-Spherical Roller Bearing Parameters For Vibration Analysis

| Bore Size | Basic Bearing Series | # Rollers Per Row | Diameter of Rollers | Pitch Diameter | Contact Angle | Outer Ring Frequency Hz | Inner Ring Frequency Hz | * Roller Spin Frequency Hz | Cage Frequency Hz |
|----------------|----------------------|-------------------|---------------------|----------------|---------------|-------------------------|-------------------------|----------------------------|-------------------|
| 2-3/16 | 22213SS | 17 | 0.559 | 3.414 | 9.000 | 7.125120 | 9.874880 | 2.973241 | 0.419125 |
| 2-7/16 | 22215SS | 18 | 0.551 | 3.748 | 9.083 | 7.693012 | 10.306988 | 3.328155 | 0.427390 |
| 2-11/16 | 22216SS | 19 | 0.579 | 3.950 | 8.667 | 8.124082 | 10.875918 | 3.341232 | 0.427583 |
| 2-15/16 | 22217SS | 20 | 0.575 | 4.153 | 8.250 | 8.630263 | 11.369737 | 3.544783 | 0.431513 |
| 3-3/16 | 22218SS | 19 | 0.654 | 4.435 | 8.167 | 8.114365 | 10.885635 | 3.321078 | 0.427072 |
| 3-7/16 | 22220SS | 18 | 0.780 | 5.079 | 8.833 | 7.635107 | 10.364893 | 3.182930 | 0.424173 |
| 3-15/16 - 4 | 22222SS | 18 | 0.878 | 5.634 | 9.000 | 7.614712 | 10.385288 | 3.132415 | 0.423040 |
| 4-3/16 | 22224SS | 17 | 1.110 | 6.203 | 9.417 | 6.999864 | 10.000136 | 2.707845 | 0.411757 |
| 4-7/16 - 4-1/2 | 22226SS | 18 | 1.047 | 6.727 | 9.417 | 7.617839 | 10.382161 | 3.136146 | 0.423213 |
| 4-15/16 | 22228SS | 18 | 1.118 | 7.202 | 9.750 | 7.622945 | 10.377055 | 3.145244 | 0.423497 |
| 5-3/16 | 22230SS | 18 | 1.217 | 7.822 | 9.583 | 7.619828 | 10.380172 | 3.139355 | 0.423324 |
| 5-7/16 | 22232SS | 18 | 1.315 | 8.442 | 9.500 | 7.617307 | 10.382693 | 3.134123 | 0.423184 |
| 5-15/16 - 6 | 22234SS | 18 | 1.409 | 9.059 | 9.667 | 7.619661 | 10.380339 | 3.138182 | 0.423314 |
| 6-7/16 - 6-1/2 | 22236SS | 18 | 1.409 | 9.059 | 9.667 | 7.619661 | 10.380339 | 3.138182 | 0.423314 |
| 6-15/16 - 7 | 22238SS | 18 | 1.559 | 10.021 | 9.417 | 7.618619 | 10.381381 | 3.138004 | 0.423257 |
| 7-3/16 | 22240SS | 16 | 1.579 | 10.716 | 9.417 | 6.837308 | 9.162692 | 3.322243 | 0.427332 |
| 7-1/2 - 8 | 22244SS | 16 | 1.752 | 11.257 | 9.500 | 6.771984 | 9.228016 | 3.136916 | 0.423249 |
| 8-1/2 - 9 | 23048SS | 20 | 1.307 | 11.189 | 8.083 | 8.843406 | 11.156594 | 4.222831 | 0.442170 |
| 9-1/2 | 23052SS | 22 | 1.339 | 11.949 | 8.417 | 9.780985 | 12.219015 | 4.408432 | 0.444590 |
| 10 | 23056SS | 20 | 1.539 | 13.175 | 8.667 | 8.844916 | 11.155084 | 4.222170 | 0.442246 |

Outer Ring Frequency = $N * RPM * (1 - (Bd * \cos a / Pd)) / 120$

Inner Ring Frequency = $N * RPM * (1 + (Bd * \cos a / Pd)) / 120$

Roller Spin Frequency = $Pd * RPM * (1 - (Bd * \cos a / Pd)^2) / (120 * Bd)$

Cage Frequency = $RPM * (1 - (Bd * \cos a / Pd)) / 120$

Pd = Pitch Diameter

N = Number of rollers

Bd = Roller Diameter

a = Contact Angle

*** Note:** Ball and Roller Spin Frequencies are listed at one (1X) roller spin frequency. For thorough analysis it is important to check frequency level at two (2X) rotational speed of balls or rollers as this is the frequency that a single ball/roller defect will contact the raceways of the bearing. In other words, a ball/roller defect will strike both inner and outer ring in one revolution of the roller.

Table 10: USDAF Spherical Roller Bearing Parameters For Vibration Analysis (1-RPS)

| Bore Size | Basic Bearing Series | # Rollers Per Row | Diameter of Rollers | Pitch Diameter | Contact Angle | Outer Ring Frequency Hz | Inner Ring Frequency Hz | * Roller Spin Frequency Hz | Cage Frequency Hz |
|-------------------|----------------------|-------------------|---------------------|----------------|---------------|-------------------------|-------------------------|----------------------------|-------------------|
| 10-15/16 - 11 | 23060K | 27 | 1.575 | 15.066 | 9.5 | 12.108065 | 14.891935 | 4.732011 | 0.448447 |
| 11-7/16 - 12 | 23064K | 28 | 1.575 | 15.85 | 9.333 | 12.627248 | 15.372752 | 4.983368 | 0.450973 |
| 12-7/16 - 12-1/2 | 23068K | 27 | 1.732 | 17.007 | 9.5 | 12.144010 | 14.855990 | 4.860109 | 0.449778 |
| 12-15/16 - 13-1/2 | 23072K | 28 | 1.732 | 17.793 | 9.333 | 12.655257 | 15.344743 | 5.089157 | 0.451973 |
| 13-15/16 - 14 | 23076K | 30 | 1.732 | 18.587 | 9 | 13.619458 | 16.380542 | 5.320311 | 0.453982 |
| 15 | 23080K | 29 | 1.929 | 19.822 | 9.167 | 13.106938 | 15.893062 | 5.090472 | 0.451963 |
| 15-3/4 | 23084K | 30 | 1.929 | 20.609 | 9 | 13.613287 | 16.386713 | 5.296232 | 0.453776 |
| | | | | | | | | | |
| 9-7/16 - 9-1/2 | 23152K | 23 | 1.693 | 13.914 | 12.5 | 10.133894 | 12.866106 | 4.051285 | 0.440604 |
| 10-7/16 - 10-1/2 | 23156K | 24 | 1.732 | 14.711 | 12 | 10.618053 | 13.381947 | 4.190502 | 0.442419 |
| 10-15/16 - 11 | 23160K | 23 | 1.89 | 15.923 | 12.333 | 10.166494 | 12.833506 | 4.155793 | 0.442021 |
| 11-15/16 - 12 | 23164K | 23 | 2.087 | 17.044 | 12.833 | 10.127024 | 12.872976 | 4.025170 | 0.440305 |
| 12-7/16 - 12-1/2 | 23168K | 23 | 2.244 | 18.272 | 12.833 | 10.122953 | 12.877047 | 4.012925 | 0.440128 |
| 13-7/16 - 13-1/2 | 23172K | 24 | 2.244 | 19.077 | 12.333 | 10.621032 | 13.378968 | 4.194537 | 0.442543 |
| 13-15/16 - 14 | 23176K | 25 | 2.323 | 19.833 | 12 | 11.067894 | 13.932106 | 4.212801 | 0.442716 |
| | | | | | | | | | |
| 8-15/16 - 9 | 23248K | 20 | 1.929 | 13.523 | 14 | 8.615913 | 11.384087 | 3.438035 | 0.430796 |
| 9-7/16 - 9-1/2 | 23252K | 19 | 2.126 | 14.745 | 14 | 8.170935 | 10.829065 | 3.399907 | 0.430049 |
| 10-7/16 - 10-1/2 | 23256K | 20 | 2.126 | 15.537 | 13.583 | 8.669925 | 11.330075 | 3.589401 | 0.433496 |
| 10-15/16 - 11 | 23260K | 20 | 2.323 | 16.706 | 13.833 | 8.649811 | 11.350189 | 3.530230 | 0.432491 |
| 11-15/16 - 12 | 23264K | 20 | 2.441 | 17.878 | 14 | 8.675192 | 11.324808 | 3.597751 | 0.433760 |
| 12-7/16 - 12-1/2 | 23268K | 20 | 2.638 | 19.048 | 14.167 | 8.657198 | 11.342802 | 3.545213 | 0.432860 |

Outer Ring Frequency = $N * RPM * (1 - (Bd * \cos a / Pd)) / 120$
 Inner Ring Frequency = $N * RPM * (1 + (Bd * \cos a / Pd)) / 120$
 Roller Spin Frequency = $Pd * RPM * (1 - (Bd * \cos a / Pd)^2) / (120 * Bd)$
 Cage Frequency = $RPM * (1 - (Bd * \cos a / Pd)) / 120$

Pd = Pitch Diameter
 N = Number of rollers
 Bd = Roller Diameter
 a = Contact Angle

*** Note:** Ball and Roller Spin Frequencies are listed at one (1X) roller spin frequency. For thorough analysis it is important to check frequency level at two (2X) rotational speed of balls or rollers as this is the frequency that a single ball/roller defect will contact the raceways of the bearing. In other words, a ball/roller defect will strike both inner and outer ring in one revolution of the roller.

Mounted Bearings Life Adjustment Factor

1.1 GENERAL. For certain applications, it is desirable to specify life for reliability other than 90%. In such cases a life adjustment factor for reliability may be applied to the RATING LIFE. Section 1.2 discusses life adjustment factors for reliability.

Some bearing steels; e.g., vacuum-melted steels, and improved processing techniques, permit manufacture of bearings which offer endurance greater than that calculated by the RATING LIFE formula. Section 1.3 recommends methods to incorporate life adjustment factors for bearing materials into the life formula.

Bearing life calculated according to the RATING LIFE formula assumes proper application conditions. If lubrication is not adequate, loading unusual, or temperatures extreme, the ability of the bearing to attain or exceed the RATING LIFE is seriously impaired. Section 1.4 contains some basic recommendations concerning the effect of unusual application conditions on bearing life.

1.2 LIFE ADJUSTMENT FACTOR FOR RELIABILITY. Bearing life estimated in accordance with this standard is RATING LIFE; i.e., the life associated With 90% reliability or the life which 90% of a group of apparently identical bearings in a given application under similar conditions of load and speed will complete or exceed. While RATING LIFE has proven useful over a period of years as a criterion of performance, some applications require definition of life at reliabilities greater than 90%.

To determine bearing life with reliabilities other than 90% (as previously calculated in the Selection Procedure) the L_{10} must be adjusted by factor a_1 , such that $L_n = a_1 \times L_{10}$.

The life adjustment factors for reliability from Table 11 are recommended.

Table 11: Life Adjustment Factors For Reliability

| Reliability % | L_n | Life Adjustment Factor for Reliability a_1 |
|---------------|-------|--|
| 90 | L10 | 1 |
| 95 | L5 | 0.62 |
| 96 | L4 | 0.53 |
| 97 | L3 | 0.44 |
| 98 | L2 | 0.33 |
| 99 | L1 | 0.21 |

1.3 LIFE ADJUSTMENT FACTOR FOR MATERIAL. For bearings, which incorporate improved materials and processing, the L_{10} (as previously calculated in the Selection Procedure) must be adjusted by factor a_2 . Factor a_2 depends upon steel analysis, metallurgical processing, forming methods, heat treatment and manufacturing methods in general.

Bearings fabricated from consumable vacuum remelted steels and certain other special analysis steels have demonstrated extraordinarily long endurance. These steels are of exceptionally high quality, and bearings fabricated from these are usually considered special manufacture. As such, a_2 values will not be specified for such steels in this discussion. Generally, a_2 values for such steels can be obtained from the bearing manufacturer.

ENGINEERING/TECHNICAL



1.4 LIFE ADJUSTMENT FACTOR FOR APPLICATION CONDITIONS. Application conditions which affect bearing life include:

1. Lubrication.
2. Load distribution (including effects of clearance, misalignment, housing, and shaft stiffness, type of loading and thermal gradients).
3. Temperature.
Consideration of (1.2) and (1.3) above requires analytical and experimental techniques beyond the scope of this discussion, therefore, the user should consult the bearing manufacturer for evaluations and recommendations.

In most bearing applications, lubrication serves to separate the rolling surfaces; i.e., rolling elements and raceways; to reduce retainer-rolling elements and retainer-land friction and sometimes to act as a coolant to remove frictional heat generated by the bearing.

If all limitations and qualifications specified by this discussion are observed, then the life adjustment application factor for bearings which are adequately lubricated is 1; i.e., $a_3=1$.

Operating conditions where a_3 might be less than 1 include:

- a) exceptionally low values of Ndm (rpm times bore diameter in mm); e.g., Ndm 1000.
- b) Lubricant viscosity less than 20.4 centistokes (100 SUS) at operating temperature.
- c) Excessively high operating temperatures.
When a_3 is less than 1, it may not be assumed that the deficiency in lubrication can be overcome by using an improved steel.

1.5 FACTOR COMBINATIONS. A fatigue life formula including the life adjustment factors is:

Ball Bearings:

$$L_n = a_1 \times a_2 \times a_3 \left(\frac{C^*}{P} \right)^3 \times \frac{(16.667)}{\text{RPM}}$$

Tapered Roller Bearings:

$$L_n = a_1 \times a_2 \times a_3 \left(\frac{C90^*}{P} \right)^{10/3} \times \frac{(1,500,000)}{\text{RPM}}$$

Spherical Roller Bearings:

$$L_n = a_1 \times a_2 \times a_3 \left(\frac{C^*}{P} \right)^{10/3} \times \frac{(16.667)}{\text{RPM}}$$

Indiscriminate application of the life adjustment factors in this formula may lead to serious over-estimation of bearing endurance, since fatigue life is only one criterion for bearing selection.

Care must be exercised to select bearings which are of sufficient size for the application. Undersizing of shaft and housing structures by using bearings which appear adequate from a life standpoint could lead to misalignment and fitting problems which could invalidate the formulas in this discussion.

* C = Basic Load Rating computed in accordance with ABMA-ANSI Standards.
C90 = C x .259

V-Belt Drive Formulas

V-belt tensioning In cases where tensioning of a drive effects belt pull and bearing loads, the following formulas may be used.

$$T1 - T2 = 33,000 \left(\frac{HP}{V} \right)$$

where: T1 = tight side tension, pounds
 T2 = slack side tension, pounds
 HP = design horsepower
 V = belt speed, feet per minute

$$T1 + T2 = 33,000 (2.5 - G) \left(\frac{HP}{GV} \right)$$

where: T1 = tight side tension, pounds
 T2 = slack side tension, pounds
 HP = design horsepower
 V = belt speed, feet per minute*
 G = arc of contact correction factor*

$$T1/T2 = \frac{1}{1 - 0.8G} \quad (\text{Also } T1/T2 = e^{K\theta})$$

where: T1 = tight side tension, pounds
 T2 = slack side tension, pounds
 G = arc of contact correction factor*
 e = base of natural logarithms
 K = .51230, a constant for V-belt drive design
 θ = arc of contact in radians

$$T1 = 41,250 (HP/GV)$$

where: T1 = tight side tension, pounds
 HP = design horsepower
 V = belt speed, feet per minute
 G = arc of contact correction factor

$$T2 = 33,000 (1.25 - G) (HP/GV)$$

where: T2 = slack side tension, pounds
 HP = design horsepower
 V = belt speed, feet per minute
 G = arc of contact correction factor

Belt Speed

$$V = \frac{(PD) (RPM)}{3.82} = (PD) (rpm) (.262)$$

where: V = belt speed, feet per minute
 PD = pitch diameter of sheave or pulley
 rpm = revolutions per minute of the same sheave or pulley

* See Table 12 at left

Table 12: Arc of Contact Correction Factor G

| D-d C | Small Sheave Arc of Contact | Factor G | D-d C | Small Sheave Arc of Contact | Factor G |
|----------|-----------------------------------|-------------|----------|-----------------------------------|-------------|
| .00 | 180° | 1.00 | .80 | 133° | .87 |
| .10 | 174° | .99 | .90 | 127° | .85 |
| .20 | 169° | .97 | 1.00 | 120° | .82 |
| .30 | 163° | .96 | 1.10 | 130° | .80 |
| .40 | 157° | .94 | 1.20 | 106° | .77 |
| .50 | 151° | .93 | 1.30 | 99° | .73 |
| .60 | 145° | .91 | 1.40 | 91° | .70 |
| .70 | 139° | .89 | 1.50 | 83° | .65 |

D = Diam. of large sheave. d = Diam. of small sheave
 C = Center distance

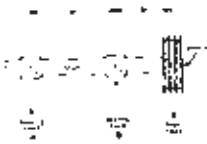
Table 13: Allowable Sheave Rim Speed

| Sheave Material | Rim Speed in Feet per Minute |
|-----------------|---------------------------------|
| Cast Iron | 6,500 |
| Ductile Iron | 8,000 |
| Steel | 10,000 |

NOTE: Above rim speed values are maximum for normal considerations. In some cases these values may be exceeded. Consult factory and include complete details of proposed application.

Bearing Load Calculations

To find actual bearing loads, it is necessary to know machine component weights and values of all other forces contributing to the load. Sometimes it becomes desirable to know the bearing load



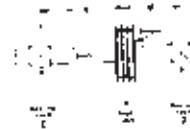
Overhung Sheave

$$\text{Load at B, lbs.} = \frac{\text{Shaft Load} \times (a + b)}{a}$$

$$\text{Load at A, lbs.} = \text{Shaft Load} \times \frac{b}{a}$$

Where: a and b = Spacing, inches

imposed by the V-belt drive alone. This can be done if you know bearing spacing with respect to the sheave center and shaft load and apply it to the following formulas:



Sheave Between Bearings

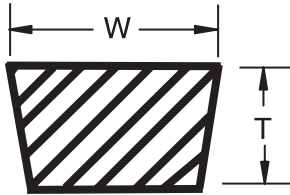
$$\text{Load at D, lbs.} = \frac{\text{Shaft Load} \times c}{c + d}$$

$$\text{Load at C, lbs.} = \frac{\text{Shaft Load} \times d}{c + d}$$

Where: c and d = Spacing, inches

Nominal V-Belt Cross Sections

Table 14: Nominal V-Belt Cross Sections



| Belt Section | Industry Standard Description | Width W, in Inches | Thickness T, in Inches |
|--------------|-------------------------------|--------------------|------------------------|
| 3L | FHP, Single | 3/8 | 7/32 |
| 4L | | 1/2 | 5/16 |
| 5L | | 21/32 | 3/8 |
| 3V | Narrow | 3/8 | 5/16 |
| 5V | | 5/8 | 17/32 |
| 8V | | 1 | 29/32 |
| A | Classical Multiple | 1/2 | 5/16 |
| B | | 21/32 | 13/32 |
| C | | 7/8 | 17/32 |
| D | | 1-1/4 | 3/4 |

| Pulley Dia. Inches | FPM | | | | | | | | | | | | |
|--------------------|-----|-----|-----|-----|-----|-----|-----|-----|-----|-----|-----|-----|------|
| | 100 | 150 | 200 | 250 | 300 | 350 | 400 | 500 | 600 | 700 | 800 | 900 | 1000 |
| 6 | 64 | 95 | 127 | 159 | 191 | 223 | 254 | 318 | 382 | 445 | 509 | 573 | 636 |
| 8 | 48 | 72 | 95 | 119 | 143 | 167 | 191 | 239 | 286 | 334 | 382 | 429 | 477 |
| 10 | 38 | 57 | 76 | 95 | 115 | 134 | 153 | 191 | 229 | 267 | 305 | 344 | 382 |
| 12 | 32 | 48 | 64 | 80 | 95 | 111 | 127 | 159 | 191 | 223 | 254 | 286 | 318 |
| 14 | 27 | 41 | 55 | 68 | 82 | 95 | 109 | 136 | 164 | 191 | 218 | 245 | 273 |
| 16 | 24 | 36 | 48 | 60 | 72 | 83 | 95 | 119 | 143 | 167 | 191 | 215 | 239 |
| 18 | 21 | 32 | 42 | 53 | 64 | 74 | 85 | 106 | 127 | 148 | 170 | 191 | 212 |
| 20 | 19 | 29 | 38 | 48 | 57 | 67 | 76 | 95 | 115 | 134 | 153 | 172 | 191 |
| 24 | 16 | 24 | 32 | 40 | 48 | 56 | 64 | 80 | 95 | 111 | 127 | 143 | 159 |
| 30 | 13 | 19 | 25 | 32 | 38 | 45 | 51 | 64 | 76 | 89 | 102 | 115 | 127 |
| 36 | 11 | 16 | 21 | 27 | 32 | 37 | 42 | 53 | 64 | 74 | 85 | 95 | 106 |
| 42 | 9 | 14 | 18 | 23 | 27 | 32 | 36 | 45 | 55 | 64 | 73 | 82 | 91 |
| 48 | 8 | 12 | 16 | 20 | 24 | 28 | 32 | 40 | 48 | 56 | 64 | 72 | 80 |
| 54 | 7 | 11 | 14 | 18 | 21 | 25 | 28 | 35 | 42 | 49 | 57 | 64 | 71 |
| 60 | 6 | 10 | 13 | 16 | 19 | 22 | 25 | 32 | 38 | 45 | 51 | 57 | 64 |

For values not shown use formula below:

$SFM = 2618 \times D \times RPM$

SFM = Surface feet Per Minute

D = Pulley Diameter, Inches

RPM = Revolutions per Minute

Table 15: Material Characteristics

| MATERIAL | DENSITY (LB/FT ³) | ANGLE OF REPOSE (DEG) | RECOMMENDED MAXIMUM INCLINATION (DEG) |
|----------------------------|-------------------------------|-----------------------|---------------------------------------|
| Alfalfa, Ground | 16 | 45° | |
| Alum, Lumpy | 50 - 60 | 35° | |
| Alum, Pulverized | 45 - 50 | 35° | |
| Alumina | 60 | 30° | 10-12 |
| Aluminum Oxide | 70 - 120 | 30° | |
| Ammonium Sulphate | 45 - 60 | 45° | |
| Asbestos, Shredded | 20 - 25 | 45° | |
| Ashes, Dry | 35 - 40 | 45° | |
| Ashes, Wet | 45 - 50 | 45° | |
| Ashes, Soft Coal | 35 - 45 | 40° | |
| Asphalt, Crushed | 45 | 35° | |
| Bagasse | 7.50 | 45° | |
| Bakelite, Powder | 30 - 40 | 45° | |
| Baking Powder | 40 - 50 | 35° | |
| Bark, Wood Refuse | 10 - 20 | 45° | 27 |
| Barley | 38 | 25° | 10-15 |
| Basalt | 80 - 120 | 25° | |
| Bauxite, Crushed | 75 - 85 | 35° | 20 |
| Beans, Castor, Whole | 30 - 45 | 25° | 8-10 |
| Beans, Cocoa | 30 - 45 | 35° | |
| Beans, Navy | 50 | 25° | |
| Beans, Whole | 45 | 45° | |
| Bentonite, Crude | 35 - 40 | 45° | |
| Bentonite, Fine | 50 - 60 | 45° | |
| Bones, Pulverized | 50 - 60 | 45° | |
| Borax, Fine | 50 - 55 | 35° | |
| Borax Coarse | 60 - 70 | 35° | |
| Bran | 16 | 35° | |
| Brewers Grain, Dry | 25 - 35 | 45° | |
| Brewers Grain, Wet | 55 - 60 | 45° | |
| Buck Wheat | 40 | 25° | 11-13 |
| Calcium, Carbide | 70 - 80 | 35° | |
| Carbon Black, Pellets | 25 | 25° | |
| Carbon Black, Powder | 5 | 35° | |
| Cast Iron Chips | 100 - 120 | 45° | |
| Cement, Clinker | 75 - 90 | 35° | |
| Cement, Portland | 80 - 100 | 35° | 20-23 |
| Chalk, Fine | 65 - 75 | 45° | |
| Chalk, Lumpy | 80 - 95 | 45° | |
| Charcoal, Wood | 15 - 30 | 35° | 20-25 |
| Chromium Ore | 125 - 140 | 35° | |
| Cinders, Coal | 40 | 35° | 20 |
| Clay, Dry, Fine | 100 - 120 | 35° | 20-22 |
| Clay, Dry, Lumpy | 60 - 75 | 35° | 18-20 |
| Coal, Anthracite, Coarse | 60 - 70 | 35° | 18 |
| Coal, Anthracite, Loose | 50 - 60 | 30° | 16 |
| Coal, Bituminous, Coarse | 50 - 60 | 35° | 18 |
| Coal, Bituminous, Loose | 45 - 50 | 35° | 16 |
| Cocoa Nibs | 35 - 40 | 35° | |
| Coconut, Shredded | 20 - 25 | 45° | |
| Coffee, Fresh Beans | 30 - 40 | 35° | 10-15 |
| Coffee, Roasted Beans | 22 - 30 | 25° | |
| Coke, Loose | 23 - 32 | 35° | 18 |
| Coke Pulverized | 25 - 35 | 45° | 20-22 |
| Coke, Petroleum Calcinated | 35 - 45 | 35° | 20 |
| Concrete, Cinder | 112 | 0° | 12-30 |
| Concrete, Gravel & Sand | 150 | 0° | |
| Copper Ore | 120 - 150 | 35° | 20 |
| Copper Sulfate | 75 - 85 | 30° | 17 |
| Cork, Ground | 5 - 15 | 45° | |
| Corn, On Cob | 45 | 0° | |

| MATERIAL | DENSITY (LB/FT ³) | ANGLE OF REPOSE (DEG) | RECOMMENDED MAXIMUM INCLINATION (DEG) |
|--------------------------------|-------------------------------|-----------------------|---------------------------------------|
| Corn, Shelled | 45 | 25° | 10 |
| Corn Sugar | 30 | 35° | |
| Corn Grits | 40 - 45 | 35° | |
| Cornmeal | 32 - 40 | 35° | 22 |
| Cottonseed, Dry, De-Linted | 35 | 35° | 16 |
| Cottonseed, Dry, Not De-Linted | 18 - 25 | 45° | 19 |
| Cottonseed, Cake, Lumpy | 40 - 45 | 35° | |
| Cottonseed, Hulls | 12 | 45° | |
| Cottonseed, Meal | 35 - 40 | 35° | 22 |
| Cottonseed, Meats | 40 | 35° | |
| Cryolite | 90 - 110 | 35° | |
| Cullet | 80 - 120 | 35° | 20 |
| Diatomaceous Earth | 11 - 14 | 35° | |
| Dolomite, Lumpy | 90 - 100 | 35° | 22 |
| Dolomite, Pulverized | 46 | 40° | |
| Earth, Dry* | 70 - 80 | 35° | 20 |
| Earth, Moist | 75 - 110 | 40° | 23 |
| Earth, Fullers Dry | 30 - 35 | 23° | 20 |
| Emery | 225 | 25° | |
| Epsom Salt | 40 - 50 | 35° | |
| Feldspar, Lumps | 70 - 100 | 35° | 17 |
| Feldspar, Dust | 80 - 100 | 40° | |
| Fish, Meal | 35 - 40 | 40° | |
| Fish, Scrap | 40 - 50 | 0° | |
| Flaxseed, Whole | 45 | 25° | 12 |
| Flaxseed, Meal | 25 | 35° | |
| Flour, Wheat | 35 - 40 | 45° | 21 |
| Flue Dust, Dry | 30 - 40 | 20° | |
| Fluorspar, Dust | 85 - 95 | 45° | |
| Fluorspar, Lumps | 80 - 110 | 45° | |
| Foundry, Refuse | 60 - 80 | 35° | |
| Foundry Sand, Loose | 80 - 90 | 35° | |
| Foundry Sand, Rammed | 100 - 110 | 0° | |
| Galena | 250 | 35° | |
| Garbage, Average | 30 | 25° | |
| Glass, Batch Fiber | 45 - 55 | 10° | |
| Glass, Batch Wool | 80 - 100 | 35° | 20-22 |
| Glass, Broken | 80 - 100 | 10° | |
| Glue, Animal, Flaked | 35 | 25° | |
| Glue, Vegetable, Powdered | 40 | 35° | |
| Gluten, Meal | 39 | 35° | |
| Granite, Lumps | 150 - 170 | 25° | |
| Graphite, Flakes | 40 | 35° | |
| Graphite, Powder | 30 | 25° | |
| Graphite, Ore | 65 - 75 | 35° | |
| Grass Seed | 10 | 35° | |
| Gravel, Dry | 90 - 100 | 35° | 15-17 |
| Gravel, Wet | 100 - 120 | 35° | |
| Gypsum, Lumps | 90 - 100 | 35° | 15 |
| Gypsum, Ground | 75 - 80 | 35° | 21 |
| Hay, Loose | 5 | 0° | |
| Hay, Pressed | 25 | 0° | |
| Hominy | 35 - 50 | 35° | |
| Hops, Spent, Dry | 25 - 35 | 45° | |
| Hops, Spent, Wet | 55 - 60 | 45° | |
| Ice, Crushed | 35 - 40 | 20° | |
| Ilmenite Ore | 140 - 160 | 35° | |
| Iron Ore | 120 - 180 | 35° | 18-20 |
| Iron Ore, Pellets | 120 - 140 | 35° | 13-15 |
| Iron Sulphate | 50 - 75 | 35° | |
| Iron Sulfide | 120 - 140 | 35° | |

Table 16: Material Characteristics

| MATERIAL | DENSITY (LB/IT3) | ANGLE OF REPOSE (DEG) | RECOMMENDED MAXIMUM INCLINATION (DEG) |
|---------------------------|------------------|-----------------------|---------------------------------------|
| Kaolin, Clay | 60 | 35° | 19 |
| Lactose | 30 | 35° | |
| Lead Ore, Crushed | 180 - 270 | 30° | |
| Lead Oxides | 60 - 150 | 40° | |
| Lead Sulfate | 170 - 190 | 45° | |
| Lead Sulfide | 240 - 260 | 35° | |
| Lignite, Air Dried | 45 - 55 | 35° | |
| Lime, Ground | 60 - 65 | 40° | 23 |
| Lime, Hydrated | 40 | 40° | 21 |
| Lime, Pebble | 30 - 40 | 40° | 17 |
| Limestone, Loose | 80 - 100 | 35° | 20 |
| Limestone, Pulverized | 85 - 90 | 45° | 18 |
| Linseed, Whole | 45 - 50 | 25° | |
| Linseed, Meal | 30 - 40 | 35° | 20 |
| Magnesium Chloride | 30 - 35 | 40° | |
| Magnesium Sulfate | 40 - 60 | 35° | |
| Malt, Dry | 25 - 30 | 30° | |
| Malt, Wet | 60 - 65 | 45° | |
| Malt, Meal | 35 - 40 | 35° | |
| Manganese Ore | 125 - 140 | 40° | |
| Manganese Oxide | 120 | 35° | |
| Manganese Sulfate | 70 | 35° | |
| Manure | 25 | 0° | |
| Marble, Crushed | 80 - 95 | 35° | |
| Marl | 80 | 35° | |
| Mica, Flakes | 20 | 20° | |
| Mica, Ground | 15 | 35° | 23 |
| Milk, Dried, Flaked | 5 | 35° | |
| Milk, Malted | 25 - 35 | 45° | |
| Milk, Powdered | 20 - 30 | 40° | |
| Milo Maize | 55 - 60 | 35° | |
| Molybdenum Ore | 100 - 110 | 40° | |
| Mortar, Wet | 150 | 0° | |
| Niacin | 35 | 35° | |
| Nickel-Cobalt Sulfate Ore | 80 - 150 | 35° | |
| Oats | 25 - 35 | 25° | 10 |
| Oats, Rolled | 20 | 35° | |
| Oil Cake | 50 | 45° | |
| Oxalic Acid Crystals | 60 | 35° | |
| Oyster Shells, Ground | 50 - 60 | 35° | |
| Oyster Shells, Whole | 80 | 35° | |
| Paper Pulp Stock | 40 - 60 | 20° | |
| Peanuts, Shelled | 35 - 45 | 35° | |
| Peanuts, Not Shelled | 15 - 20 | 35° | |
| Peas, Dried | 45 - 50 | 0° | |
| Phosphate, Fertilizer | 50 - 60 | 35° | 30 |
| Phosphate, Rock, Crushed | 60 - 100 | 35° | 25 |
| Potash | 70 - 80 | 30° | |
| Potassium Chloride | 120 - 130 | 35° | |
| Potassium Nitrate | 75 - 80 | 25° | |
| Potassium Sulfate | 45 | 45° | |
| Potatoes, White" | 48 | 0° | |
| Pumice, Ground | 40 - 45 | 45° | |
| Pyrites, Lumps | 135 - 145 | 25° | |
| Pyrites, Pellets | 120 - 130 | 35° | |
| Quartz, Lumps | 95 - 100 | 25° | |
| Quartz, Sand | 70 - 80 | 25° | |
| Rice, Hulled | 45 - 50 | 20° | 8 |
| Rice, Rough | 35 | 35° | |
| Rice, Grits | 40 - 45 | 35° | |
| Rock, Crushed | 100 - 150 | 30° | |

| MATERIAL | DENSITY (LB/IT3) | ANGLE OF REPOSE (DEG) | RECOMMENDED MAXIMUM INCLINATION (DEG) |
|-------------------------|------------------|-----------------------|---------------------------------------|
| Rubber, Pellets | 50 - 55 | 35° | 22 |
| Rubber, Ground Scrap | 25 - 35 | 45° | 18 |
| Rye | 42 - 45 | 25° | 8 |
| Rye Meal | 35 - 40 | 20° | |
| Salt Cake | 80 - 95 | 30° | 21 |
| Salt, Coarse" | 45 - 55 | 35° | 18-22 |
| Salt, Fine" | 70 - 80 | 35° | 11 |
| Sand, Wet | 110 - 130 | 45° | 20-22 |
| Sand, Dry | 90 - 110 | 35° | 16-18 |
| Sand, Loose, Foundry | 80 - 100 | 35° | 22 |
| Sand, Foundry, Rammed | 100 - 110 | 0° | 24 |
| Sandstone | 80 - 90 | 35° | |
| Sawdust | 10 - 25 | 30° | 22 |
| Scale, Rolling Mill | 125 - 160 | 45° | |
| Sewage Sludge, Dry | 45 - 55 | 35° | |
| Sewage Sludge, Wet | 50 - 60 | 35° | |
| Shale, Broken | 90 - 100 | 25° | |
| Shale, Crushed | 85 - 90 | 40° | 22 |
| Silica Gel, Dry | 45 | 35° | |
| Slag, Blast Furnace | 80 - 90 | 25° | 10 |
| Slag, Granular, Dry | 60 - 65 | 25° | 13-16 |
| Slag, Granular, Wet | 90 - 100 | 45° | 20-22 |
| Slate, Ground | 80 - 90 | 30° | 15 |
| Slate, Lumps | 85 - 95 | 0° | |
| Snow, Compacted | 15 - 50 | 0° | |
| Soap | 10 - 25 | 35° | |
| Soda Ash, Briquettes | 50 | 20° | 7 |
| Soda Ash, Heavy | 55 - 65 | 30° | 19 |
| Soda Ash, Light | 20 - 35 | 35° | 22 |
| Sodium Aluminum, Ground | 72 | 35° | |
| Sodium Nitrate, Ground | 70 - 80 | 24° | 11 |
| Sodium Phosphate | 50 - 65 | 35° | |
| Soybeans, Cracked | 30 - 40 | 35° | 15-18 |
| Soybeans, Whole" | 45 - 50 | 25° | 12-16 |
| Starch, Powdered | 25 - 45 | 25° | 12 |
| Steel, Chips | 100 - 150 | 35° | 18 |
| Steel, Turnings | 60 - 120 | 45° | |
| Sugar, Cane, Raw | 55 - 65 | 45° | |
| Sugar, Granulated, Dry | 50 - 55 | 35° | |
| Sugar, Granulated, Wet | 55 - 65 | 40° | |
| Sugar Cane, Knifed | 15 - 18 | 45° | |
| Sulphur, Lumps | 80 - 85 | 35° | |
| Sulphur, Dust | 50 - 70 | 35° | |
| Saonite, Pellets | 120 - 140 | 35° | 13-15 |
| Salc, Granulated | 50 - 70 | 20° | |
| Titanium Dioxide | 140 | 35° | |
| Titanium Sponge | 60 - 70 | 45° | |
| Tobacco, Leaves | 14 | 45° | |
| Tobacco, Scraps | 15 - 25 | 45° | |
| Tobacco, Stems | 15 | 45° | |
| Traprock, Crushed | 95 - 110 | 35° | |
| Traprock, Lumps | 100 - 110 | 35° | |
| Turf | 20 - 30 | 0° | |
| Walnut, Shells | 35 - 45 | 35° | |
| Wheat | 48 | 25° | 12 |
| Wheat, Cracked | 40 - 45 | 35° | |
| Wheat Germ, Dry | 20 - 30 | 25° | 27 |
| Wood Chips | 10 - 30 | 45° | 22 |
| Zinc Ore, Granular | 160 | 35° | |
| Zinc Oxide | 10 - 35 | 45° | |

Shafting

Table 17: Typical Commercial Shaft Tolerances

| Shaft Size | Plus | Minus |
|----------------------|------|-------|
| Up to 1-1/2" | .000 | .002 |
| Over 1-1/2 to 2-1/2" | .000 | .003 |
| Over 2-1/2 to 4" | .000 | .004 |
| Over 4 to 6" | .000 | .005 |
| Over 6 to 8" | .000 | .006 |
| Over 8 to 9" | .000 | .007 |
| Over 9" | .000 | .008 |

Table 18: Shaft Tolerances

| Shaft Size | Tolerance, Inches |
|--------------|-------------------|
| Up to 1-1/2" | + .0000 - .0005" |
| 1-5/8 to 4" | + .000 - .001" |
| 4-7/16 to 6" | + .000 - .0015" |
| 6-7/16 to 8" | + .000 - .002" |

Table 18 lists the recommended tolerances for all setscrew locking, eccentric locking and D-LOK locking ball and roller bearings

Table 19: Shaft Tolerances

| Shaft Size | Tolerance, Inches |
|-------------------|-------------------|
| Up to 1-1/2" | + .000 - .002" |
| 1-9/16 to 2-1/2" | + .000 - .003" |
| 2-5/8 to 4" | + .000 - .004" |
| 4-3/16 to 6" | + .000 - .005" |
| 6-7/16" and above | + .000 - .006" |

Table 19 list the recommended tolerances for all tapered adapter sleeve ball and roller bearings

Selection of Shaft Diameters

Tables 20 - 23 inclusive can be used to find approximate shaft diameter for various service conditions For greater accuracy use chart under heading "Combined Torsion and Bending of Standard Shafts" (B16-19).

Tables and chart are based upon a safe shear stress of 6,000 pounds per square inch for standard keyseated shafting. Be generous in the selection of shaft diameters as liberal diameters not only reduce deflection and

Standard Shafting-Table 17 indicates standard shafting is cold drawn in the smaller sizes and turned and polished in the larger diameters. It has a smooth surface, is commercially straight and is readily machinable; suitable and recommended for general power transmission and material handling service.

Special Shafting-While standard shafting is suitable for most installations, special shafting is sometimes required for certain chemical, temperature or physical requirements. Such materials as high carbon steel, alloy steel, stainless steel, brass, Monel metal, etc., can be furnished plain or heat treated. Stepped, flanged, hollow or other special forms are available.

Special shafting should be avoided in favor of standard shafting wherever possible because special shafting is usually considerably more expensive and requires a greater length of time to obtain, which is an especially important consideration should quick replacement ever become necessary.

Ordering Shafting-Standard shafting can be obtained from most supply houses and dealers who handle power transmission material.

Turning Down Shaft Ends-When necessary to turn down shaft ends, use as large a fillet as possible to keep the stress concentration to a minimum. The radius of this fillet should preferably be not less than the difference in the two diameters joined by the fillet. The fillet should be finished and polished as smoothly as possible to avoid scratches which might start cracks and lead to failure of the shaft by fatigue.

vibration but also generally increase bearing life.

When necessary to use other than standard shafting, find the required diameter for standard shafting as outlined above and multiply by proper factor shown in Table 24, under heading "Factors for Shafting Other than Standard Shafting, "(B16-18).

Selection of Shaft Diameters (Cont'd)

Table 20: No Bending Moment (Shafts without pulleys, sprockets or gears - Torsion only)

| Shaft Size | Horse Power at Various Revolutions per Minute | | | | | | | | | | | | | | | | | | |
|------------|---|-------|-------|-------|-------|-------|-------|-------|-------|-------|-------|-------|-------|-------|-------|-------|-------|-------|-------|
| | 25 | 50 | 75 | 100 | 125 | 150 | 175 | 200 | 225 | 250 | 275 | 300 | 350 | 400 | 500 | 600 | 700 | 800 | 900 |
| 15/16 | 0.30 | 0.70 | 1.10 | 1.50 | 1.90 | 2.30 | 2.60 | 3 | 3.40 | 3.80 | 4.20 | 4.60 | 5.30 | 6.10 | 7.70 | 9.20 | 10.70 | 12.30 | 13.80 |
| 1-3/16 | 0.70 | 1.50 | 2.30 | 3.10 | 3.90 | 4.60 | 5.40 | 6.20 | 7 | 7.80 | 8.60 | 9.30 | 10.90 | 12.50 | 15.60 | 18.70 | 21.90 | 25 | 28.10 |
| 1-7/16 | 1.30 | 2.70 | 4.10 | 5.50 | 6.90 | 8.30 | 9.70 | 11.10 | 12.40 | 13.80 | 15.20 | 16.60 | 19.40 | 22.20 | 27.70 | 33.30 | 38.80 | 44.40 | 49.90 |
| 1-11/16 | 2.20 | 4.40 | 6.60 | 8.90 | 11.20 | 13.40 | 15.70 | 17.90 | 20.20 | 22.40 | 24.70 | 26.90 | 31.40 | 35.90 | 44.90 | 53.80 | 62.80 | 71.80 | 80.80 |
| 1-15/16 | 3.30 | 6.70 | 10.10 | 13.50 | 16.90 | 20.30 | 23.70 | 27.10 | 30.50 | 33.90 | 37.30 | 40.70 | 47.50 | 54.30 | 67.90 | 81.50 | 95.10 | 108 | 122 |
| 2-3/16 | 4.90 | 9.80 | 14.60 | 19.50 | 24.40 | 29.30 | 34.20 | 39.10 | 44 | 48.90 | 53.80 | 58.60 | 68.40 | 78.20 | 97.80 | 117 | 136 | 156 | 176 |
| 2-7/16 | 6.70 | 13.50 | 20.20 | 27 | 33.80 | 40.60 | 47.30 | 54.10 | 60.90 | 67.60 | 74.40 | 81.20 | 94.70 | 108 | 135 | 162 | 189 | 216 | 243 |
| 2-11/16 | 9 | 18.10 | 27.10 | 36.20 | 45.30 | 54.40 | 63.40 | 72.50 | 81.60 | 90.70 | 99.70 | 108 | 126 | 145 | 181 | 217 | 253 | 290 | 326 |
| 2-15/16 | 11.80 | 23.60 | 35.40 | 47.30 | 59.20 | 71 | 82.90 | 94.70 | 106 | 118 | 130 | 142 | 165 | 189 | 236 | 284 | 331 | 379 | 426 |
| 3-7/16 | 19 | 37.90 | 57 | 75.90 | 94.90 | 113 | 132 | 151 | 170 | 189 | 208 | 227 | 265 | 303 | 379 | 455 | 531 | 607 | 683 |
| 3-15/16 | 28.50 | 57 | 85.50 | 114 | 142 | 171 | 199 | 228 | 256 | 285 | 313 | 342 | 399 | 456 | 570 | 684 | 798 | 912 | 1026 |
| 4-7/16 | 40.80 | 81.60 | 122 | 163 | 204 | 245 | 286 | 327 | 367 | 408 | 449 | 490 | 572 | 653 | 816 | 980 | 1143 | 1306 | 1470 |

Table 21: Limited Bending Moment (Pulleys, sprockets or gears near bearings. Ordinary line shafts.)

| Shaft Size | Horse Power at Various Revolutions per Minute | | | | | | | | | | | | | | | | | | |
|------------|---|-------|-------|-------|-------|-------|-------|-------|-------|-------|-------|-------|-------|-------|-------|-------|-------|-------|-------|
| | 25 | 50 | 75 | 100 | 125 | 150 | 175 | 200 | 225 | 250 | 275 | 300 | 350 | 400 | 500 | 600 | 700 | 800 | 900 |
| 15/16 | 0.20 | 0.50 | 0.70 | 1 | 1.20 | 1.50 | 1.70 | 2 | 2.30 | 2.50 | 2.80 | 3 | 3.50 | 4.10 | 5.10 | 6.10 | 7.10 | 8.20 | 9.20 |
| 1-3/16 | 0.50 | 1 | 1.50 | 2 | 2.60 | 3.10 | 3.60 | 4.10 | 4.70 | 5.20 | 5.70 | 6.20 | 7.30 | 8.30 | 10.40 | 12.50 | 14.60 | 16.70 | 18.80 |
| 1-7/16 | 0.90 | 1.80 | 2.70 | 3.70 | 4.60 | 5.50 | 6.40 | 7.40 | 8.30 | 9.20 | 10.10 | 11.10 | 12.90 | 14.80 | 18.50 | 22.20 | 25.90 | 29.60 | 33.30 |
| 1-11/16 | 1.40 | 2.90 | 4.30 | 5.90 | 7.40 | 8.90 | 10.40 | 11.90 | 13.40 | 14.90 | 16.40 | 17.90 | 20.90 | 23.90 | 29.90 | 35.90 | 41.90 | 47.90 | 53.90 |
| 1-15/16 | 2.20 | 4.50 | 6.70 | 9 | 11.30 | 13.60 | 15.80 | 18.10 | 20.40 | 22.60 | 24.90 | 27.20 | 31.70 | 36.20 | 45.30 | 54.40 | 63.40 | 72.50 | 81.60 |
| 2-3/16 | 3.20 | 6.50 | 9.70 | 13 | 16.30 | 19.50 | 22.80 | 26.10 | 29.30 | 32.60 | 35.80 | 39.10 | 45.60 | 52.20 | 65.20 | 78.30 | 91.30 | 104 | 117 |
| 2-7/16 | 4.50 | 9 | 13.50 | 18 | 22.50 | 27 | 31.60 | 36.10 | 40.60 | 45.10 | 49.60 | 54.10 | 63.20 | 72.20 | 90.20 | 108 | 126 | 144 | 162 |
| 2-11/16 | 6 | 12.10 | 18.10 | 24.20 | 30.20 | 36.30 | 42.30 | 48.40 | 54.40 | 60.50 | 66.50 | 72.60 | 84.70 | 96.80 | 121 | 145 | 169 | 193 | 217 |
| 2-15/16 | 7.90 | 15.80 | 23.70 | 31.60 | 39.50 | 47.40 | 55.30 | 63.20 | 71.10 | 79 | 86.90 | 94.80 | 110 | 126 | 158 | 189 | 221 | 252 | 284 |
| 3-7/16 | 12.60 | 25.30 | 37.90 | 50.60 | 63.30 | 75.90 | 88.60 | 101 | 113 | 126 | 139 | 151 | 177 | 202 | 253 | 303 | 354 | 405 | 455 |
| 3-15/16 | 19 | 38 | 57 | 76.10 | 94.10 | 114 | 133 | 152 | 171 | 190 | 209 | 228 | 266 | 304 | 380 | 456 | 532 | 608 | 685 |
| 4-7/16 | 27 | 54 | 81 | 108 | 136 | 163 | 190 | 217 | 245 | 272 | 299 | 326 | 381 | 435 | 544 | 653 | 762 | 871 | 980 |
| 4-15/16 | 37 | 75 | 112 | 150 | 187 | 225 | 262 | 300 | 337 | 375 | 412 | 450 | 525 | 600 | 750 | 900 | 1050 | 1200 | 1350 |
| 5-7/16 | 50 | 100 | 150 | 200 | 250 | 300 | 350 | 400 | 451 | 501 | 551 | 601 | 701 | 801 | 1002 | 1202 | 1403 | 1603 | 1804 |
| 5-15/16 | 65 | 130 | 195 | 261 | 326 | 391 | 456 | 522 | 587 | 652 | 717 | 783 | 913 | 1044 | 1305 | 1566 | 1827 | 2088 | 2349 |
| 6-1/2 | 85 | 171 | 256 | 342 | 427 | 513 | 598 | 684 | 769 | 855 | 940 | 1026 | 1197 | 1368 | 1710 | 2052 | 2394 | 2736 | 3078 |

Selection of Shaft Diameters (Cont'd)

Table 22: Heavy Bending Moment. (Use for main or important shafts.)

| Shaft Size | Horse Power at Various Revolutions per Minute | | | | | | | | | | | | | | | | | | |
|------------|---|-------|-------|-------|-------|-------|-------|-------|-------|-------|-------|-------|-------|-------|-------|-------|-------|-------|-------|
| | 25 | 50 | 75 | 100 | 125 | 150 | 175 | 200 | 225 | 250 | 275 | 300 | 350 | 400 | 500 | 600 | 700 | 800 | 900 |
| 1-11/16 | 0.80 | 1.70 | 2.50 | 3.50 | 4.40 | 5.30 | 6.20 | 7.10 | 8 | 8.90 | 9.80 | 10.70 | 12.50 | 14.30 | 17.90 | 21.50 | 25.10 | 28.70 | 32.30 |
| 1-15/16 | 1.30 | 2.70 | 4 | 5.40 | 6.70 | 8.10 | 9.50 | 10.80 | 12.20 | 13.50 | 14.90 | 16.30 | 19 | 21.70 | 27.10 | 32.60 | 38 | 43.50 | 48.90 |
| 2-3/16 | 1.90 | 3.90 | 5.80 | 7.80 | 9.70 | 11.70 | 13.70 | 15.60 | 17.60 | 19.50 | 21.50 | 23.40 | 27.40 | 31.30 | 39.10 | 46.90 | 54.80 | 62.60 | 70.40 |
| 2-7/16 | 2.70 | 5.40 | 8.10 | 10.80 | 13.50 | 16.20 | 18.90 | 21.60 | 24.30 | 27 | 29.70 | 32.40 | 37.90 | 43.30 | 54.10 | 64.90 | 75.80 | 86.60 | 97.40 |
| 2-11/16 | 3.60 | 7.20 | 10.80 | 14.50 | 18.10 | 21.70 | 25.40 | 29 | 32.60 | 36.20 | 39.90 | 43.50 | 50.80 | 58 | 72.50 | 87.10 | 101 | 116 | 130 |
| 2-15/16 | 4.70 | 9.40 | 14.10 | 18.90 | 23.60 | 28.40 | 33.10 | 37.90 | 42.60 | 47.30 | 52.10 | 56.80 | 66.30 | 75.80 | 94.70 | 113 | 132 | 151 | 170 |
| 3-7/16 | 7.50 | 15.10 | 22.60 | 30.30 | 37.90 | 45.50 | 53.10 | 60.70 | 68.30 | 75.90 | 83.50 | 91.10 | 106 | 121 | 151 | 182 | 212 | 243 | 273 |
| 3-15/16 | 11.40 | 22.80 | 34.20 | 45.60 | 57 | 68.40 | 79.90 | 91.30 | 102 | 114 | 125 | 136 | 159 | 182 | 228 | 273 | 319 | 365 | 410 |
| 4-7/16 | 16.30 | 32.60 | 48.90 | 65.30 | 81.60 | 98 | 114 | 130 | 147 | 163 | 179 | 196 | 228 | 261 | 326 | 392 | 457 | 522 | 588 |
| 4-15/16 | 22.50 | 45 | 67.50 | 90 | 112 | 135 | 157 | 180 | 202 | 225 | 247 | 270 | 315 | 360 | 450 | 540 | 630 | 720 | 810 |
| 5-7/16 | 30 | 60 | 90 | 120 | 150 | 180 | 210 | 240 | 270 | 300 | 330 | 360 | 420 | 480 | 601 | 721 | 841 | 961 | 1082 |
| 5-15/16 | 39 | 78 | 117 | 156 | 195 | 234 | 273 | 313 | 352 | 391 | 430 | 469 | 547 | 626 | 782 | 939 | 1095 | 1252 | 1409 |
| 6-1/2 | 51 | 102 | 153 | 205 | 256 | 308 | 359 | 410 | 462 | 513 | 564 | 616 | 718 | 821 | 1027 | 1232 | 1437 | 1643 | 1848 |
| 7 | 64 | 128 | 192 | 256 | 320 | 384 | 448 | 513 | 577 | 641 | 705 | 769 | 897 | 1026 | 1282 | 1539 | 1795 | 2052 | 2308 |
| 7-1/2 | 78.50 | 157 | 235 | 315 | 394 | 473 | 552 | 631 | 709 | 788 | 867 | 946 | 1104 | 1262 | 1577 | 1893 | 2208 | 2524 | 2839 |
| 8 | 95.50 | 191 | 286 | 382 | 478 | 574 | 670 | 765 | 861 | 957 | 1053 | 1148 | 1340 | 1531 | 1914 | 2297 | 2680 | 3063 | 3446 |
| 8-1/2 | 114 | 229 | 343 | 459 | 574 | 688 | 803 | 918 | 1033 | 1148 | 1263 | 1377 | 1607 | 1837 | 2296 | 2755 | 3215 | 3674 | 4133 |
| 9 | 136 | 272 | 408 | 545 | 681 | 817 | 954 | 1090 | 1226 | 1363 | 1499 | 1635 | 1908 | 2181 | 2726 | 3271 | 3816 | 4362 | 4907 |
| 9-1/2 | 160 | 320 | 480 | 641 | 801 | 961 | 1122 | 1282 | 1442 | 1603 | 1763 | 1923 | 2244 | 2565 | 3206 | 3847 | 4488 | 5130 | 5771 |
| 10 | 186 | 373 | 559 | 747 | 934 | 1121 | 1308 | 1495 | 1682 | 1869 | 2056 | 2243 | 2617 | 2991 | 3739 | 4487 | 5235 | 5983 | 6731 |

Table 23: Severe Conditions (Heavy shock loads. Excessively tight belts, long clutch sleeves.)

| Shaft Size | Horse Power at Various Revolutions per Minute | | | | | | | | | | | | | | | | | | |
|------------|---|-------|-------|-------|-------|-------|-------|-------|-------|-------|-------|-------|-------|-------|-------|-------|-------|-------|-------|
| | 25 | 50 | 75 | 100 | 125 | 150 | 175 | 200 | 225 | 250 | 275 | 300 | 350 | 400 | 500 | 600 | 700 | 800 | 900 |
| 1-11/16 | 0.4 | 0.8 | 1.2 | 1.7 | 2.2 | 2.6 | 3.1 | 3.5 | 4 | 4.4 | 4.9 | 5.3 | 6.2 | 7.1 | 8.9 | 10.7 | 12.5 | 14.3 | 16.10 |
| 1-15/16 | 0.6 | 1.3 | 2 | 2.7 | 3.3 | 4 | 4.7 | 5.4 | 6.1 | 6.7 | 7.4 | 8.1 | 9.5 | 10.8 | 13.5 | 16.3 | 19 | 21.7 | 24.40 |
| 2-3/16 | 0.90 | 1.90 | 2.90 | 3.90 | 4.80 | 5.80 | 6.80 | 7.80 | 8.80 | 9.70 | 10.70 | 11.70 | 13.70 | 15.60 | 19.50 | 23.40 | 27.40 | 31.30 | 35.20 |
| 2-7/16 | 1.30 | 2.70 | 4 | 5.40 | 6.70 | 8.10 | 9.40 | 10.80 | 12.10 | 13.50 | 14.80 | 16.20 | 18.90 | 21.60 | 27 | 32.40 | 37.90 | 43.30 | 48.70 |
| 2-11/16 | 1.80 | 3.60 | 5.40 | 7.20 | 9 | 10.80 | 12.70 | 14.50 | 16.30 | 18.10 | 19.90 | 21.70 | 25.40 | 29 | 36.20 | 43.50 | 50.50 | 58 | 65 |
| 2-15/16 | 2.30 | 4.70 | 7 | 9.40 | 11.80 | 14.20 | 16.50 | 18.90 | 21.30 | 23.60 | 26 | 28.40 | 33.10 | 37.90 | 47.30 | 56.50 | 66 | 75.50 | 85 |
| 3-7/16 | 3.70 | 7.50 | 11.30 | 15.1 | 18.90 | 22.70 | 26.50 | 30.30 | 34.10 | 37.90 | 41.70 | 45.50 | 53 | 60.50 | 75.50 | 91 | 106 | 121 | 136 |
| 3-15/16 | 5.70 | 11.40 | 17.10 | 22.8 | 28.50 | 34.20 | 39.90 | 45.60 | 51 | 57 | 62.50 | 68 | 79.50 | 91 | 114 | 136 | 159 | 182 | 205 |
| 4-7/16 | 8.10 | 16.30 | 24.40 | 32.6 | 40.80 | 49 | 57 | 65 | 73.50 | 81.50 | 89.50 | 98 | 114 | 130 | 163 | 196 | 228 | 261 | 294 |
| 4-15/16 | 11.20 | 22.50 | 33.70 | 45 | 56 | 67.50 | 78.50 | 90 | 101 | 112 | 123 | 135 | 157 | 180 | 225 | 270 | 315 | 360 | 405 |
| 5-7/16 | 15 | 30 | 45 | 60 | 75 | 90 | 105 | 120 | 135 | 150 | 165 | 180 | 210 | 240 | 300 | 360 | 420 | 480 | 541 |
| 5-15/16 | 19.50 | 39 | 58.50 | 78 | 97.10 | 117 | 136 | 156 | 171 | 195 | 215 | 234 | 273 | 313 | 391 | 469 | 547 | 626 | 704 |
| 6-1/2 | 25.50 | 51 | 76.50 | 102.5 | 128 | 154 | 179 | 205 | 231 | 256 | 282 | 308 | 359 | 410 | 513 | 616 | 718 | 821 | 924 |
| 7 | 32 | 64.90 | 96 | 128 | 160 | 192 | 224 | 256 | 288 | 320 | 352 | 384 | 448 | 513 | 641 | 769 | 897 | 1026 | 1154 |
| 7-1/2 | 39.20 | 78.50 | 117 | 157 | 197 | 236 | 276 | 315 | 354 | 394 | 433 | 473 | 552 | 631 | 788 | 946 | 1104 | 1262 | 1419 |
| 8 | 47.70 | 95.50 | 143 | 191 | 239 | 287 | 335 | 382 | 430 | 478 | 526 | 574 | 670 | 765 | 957 | 1148 | 1340 | 1531 | 1723 |
| 8-1/2 | 57 | 114 | 171 | 229 | 287 | 344 | 401 | 459 | 516 | 574 | 631 | 688 | 803 | 918 | 1148 | 1377 | 1607 | 1837 | 2066 |
| 9 | 68 | 136 | 204 | 272 | 340 | 408 | 477 | 545 | 613 | 681 | 749 | 817 | 954 | 1090 | 1363 | 1635 | 1908 | 2181 | 2453 |
| 9-1/2 | 80 | 160 | 240 | 320 | 400 | 480 | 561 | 641 | 721 | 801 | 881 | 961 | 1122 | 1282 | 1603 | 1923 | 2244 | 2565 | 2885 |
| 10 | 93 | 186 | 279 | 373 | 467 | 560 | 654 | 747 | 841 | 934 | 1028 | 1121 | 1308 | 1495 | 1869 | 2243 | 2617 | 2991 | 3365 |

Caution - Be generous in the selection of shaft diameters as liberal diameters not only reduce deflection and vibration but also generally increase bearing life. See notes on next page.

Selection of Shaft Diameters (Cont'd)

Shaft Stiffness, Shaft Deflection-Standard shafting of adequate strength usually has a sufficiently large diameter to prevent excessive deflection in ordinary installations. It is wise to select shafting of generous diameter, as the greater the diameter, the greater the stiffness. A high tensile strength alloy shaft, although stronger, is no stiffer than a standard shaft of the same diameter.

While it is sometimes possible to use an alloy shaft of less diameter than a standard shaft of equal strength, this practice is usually inadvisable, as the deflection is increased.

Shafts carrying medium or long clutch sleeves should be especially generous.

High Speed Shafts - High speed sometimes causes shaft whipping or vibration. This can be prevented by making the shaft diameter generous and the distance between bearing centers short.

Location of the bearings close to wheels and couplings is advisable whether the shaft is transmitting heavy or light loads.

The use of high tensile strength alloy shafting instead of standard shafting is of no help in preventing vibration as this will not improve the stiffness nor deflection characteristics of the shaft.

Stepped Shafts - For a heavily loaded wheel, a shaft with a boss or enlarged section under the wheel and turned to a smaller diameter at the bearings often provides the most economical installation. The two different diameters should be joined by a very generous fillet, otherwise a dangerous

concentration of stress will occur at the fillet. See heading "Turning Down Shaft Ends." (B16-15).

Shaft Keyseats - Plain keyseats are preferable to round end keyseats in respect to causing the least concentration of stress. However, round end keyseats are often used because of design and assembly requirements. Ends left by the milling cutter should not project into babbitted or bronze bushed bearing, but may project under the sleeve of any DODGE anti-friction bearing.

Shaft diameters obtained from the tables or chart allow for the use of keyseats.

Shaft Bearings - On ordinary line shafting, bearings are commonly spaced about eight feet centers. On large diameter shafts, the spacing may be somewhat greater.

Wheels and clutches should be located near bearings to avoid dangerous bending, deflection and vibration.

Bearings should be mounted on adequate supports so that accurate alignment may be maintained. Shaft misalignment may cause shaft or bearing failure.

Shaft Couplings - Where a rigid coupling is used, it is preferable to have a bearing fairly close. Where a cutoff coupling or a flexible coupling is used, locate bearings close to each end of the coupling.

Expansion of Shafting - Where changes in the length of the shaft due to changes in temperature are to be expected and the bearings are mounted on supporting structures other than steel, consideration must be given to expansion. For more detailed information see B16-20, headed: "Expansion of Shafting."

Factors for Shafting Other Than Standard Shafting

When it is necessary to use other than standard shafting, multiply required diameter for standard shafting as found in the tables or chart by proper factor from Table 24 below.

Standard keyseated shafting, using a safe shear stress of 6,000 PSI is the basis of shafting tables and chart. For safe shear stress of other materials, use 1/10 of nominal ultimate tensile strength. For example, use 8,000 for C1045 and 10,000 for 4140 keyseated shafting. When definite physical specifications are known the least of 13.5% of minimum ultimate tensile strength and 22.5% of minimum elastic limit in tension

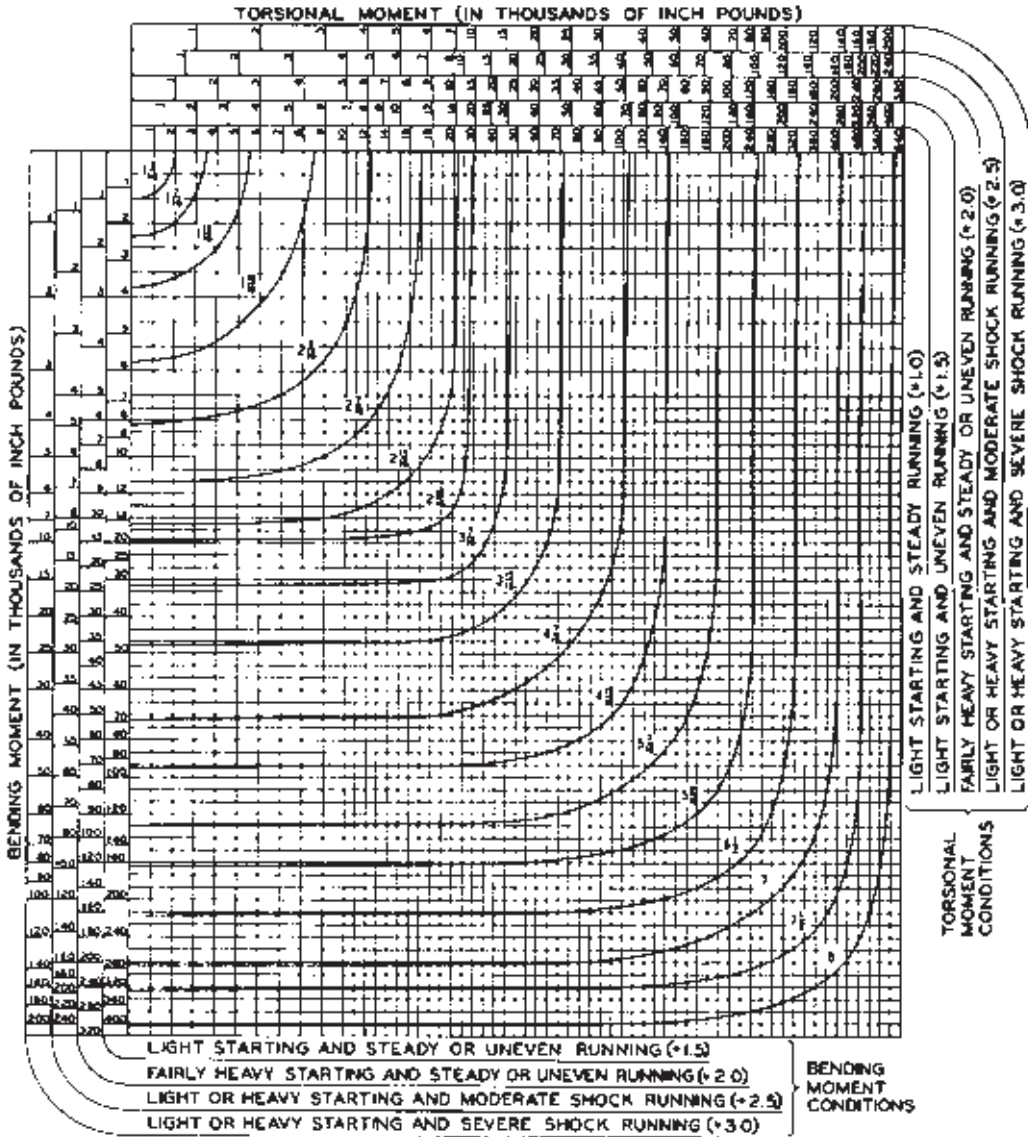
may be used for keyseated shafting; 18% and 30% respectively if not keyseated.

Caution - As the deflection of steel shafting depends upon the diameter and not upon the analysis of the steel, care should be exercised in the use of alloy shafting not to reduce the diameter unduly. Deflection should not be excessive and bearing capacities should be adequate. It is usually best to use standard shafting instead of a smaller diameter alloy shaft. The smaller alloy shaft may safely transmit the torque but often is undesirable in respect to deflection, vibration and bearing life

Table 24: Shear Stress Factors

| Safe Shear Stress | Factor | Safe Shear Stress | Factor | Safe Shear Stress | Factor | Safe Shear Stress | Factor | Safe Shear Stress | Factor |
|-------------------|--------|-------------------|--------|-------------------|--------|-------------------|--------|-------------------|--------|
| 500 | 2.289 | 3,000 | 1.260 | 5,500 | 1.029 | 9,000 | .874 | 14,000 | .754 |
| 1,000 | 1.817 | 3,500 | 1.197 | 6,000 | 1.000 | 10,000 | .843 | 15,000 | .737 |
| 1,500 | 1.587 | 4,000 | 1.145 | 6,500 | .974 | 11,000 | .817 | 16,000 | .721 |
| 2,000 | 1.442 | 4,500 | 1.101 | 7,000 | .950 | 12,000 | .794 | 17,000 | .707 |
| 2,500 | 1.339 | 5,000 | 1.063 | 8,000 | .909 | 13,000 | .773 | 18,000 | .693 |

Combine Torsion and Bending of Standard Shaft
(Based on a Safe Shear Stress of 6,000 PS for Keyseated Shafting)



Example: Engine extension shaft driving single cylinder compressor, 15,000 pound-inches torsional moment, 14,000 pound-inches bending moment. Because of the heavy shock running load conditions use scales designated "Light or Heavy Starting and Severe Shock Running". Project a line down from 15,000 torsional moment. Project a line to the right from 14,000 bending moment. The two lines intersect between 3-7/16 and 3-15/16 curves. Use 3-15/16 standard shafting.

Note: The above chart is based on ASME approved standard ASA-B17C-1927 withdrawn in 1954. If the latest shaft selection analysis is required refer to ANSI/ASME B106.1M-1985.

Note: If considering use of other shafting material refer to "Selection of Shaft Diameters" on page B16-18.

Expansion of Shafting

Provision should be made to permit the free movement of shafting endwise due to temperature changes. One bearing should serve as an anchor bearing to locate the shaft endwise. All other bearings should permit the shaft to move freely endwise.

The anchor bearing is often located near an important wheel. On long shafts it should preferably be located near the center of the shaft to keep the expansion of the two ends to a minimum. If the anchor bearing is babbitted it should be fitted with collars. If it is an anti-friction bearing it should be of the non-expansion type, which is the designation of DODGE roller and ball bearings for use as anchor bearings.

All bearings on the shafting other than the anchor bearing should permit the shaft to move freely endwise. If babbitted there should be no thrust collars. If anti-friction these bearings should be of the expansion type.

Several shafts firmly fastened together expand as if one continuous shaft. An example of this is line shafting with flange couplings. If the expansion is considered excessive a long line shaft may be split into two or more sections, the sections being connected with expansion couplings.

Amount of Expansion to be provided for-

The amount of shaft expansion is given in Table 25 below. For example, with a 100°F temperature rise on a 150 ft. line shaft with the anchor bearing located 70 ft. from one end and 80 ft. from the other end the ends will move .529" and .605" respectively away from the anchor bearing. The

structure supporting the bearings may also expand but usually not as rapidly and as much as the shafting. Several cases follow:

Case 1- Bearings supported on steel structures, where the shaft and structure are exposed to the same temperatures, will expand at the same rate. Expansion allowance is usually not required. If the shaft is exposed to a higher temperature than the support, allowances should be made. For example, if the shaft temperature is expected to change 80°, and the temperature of the structure 60°, the resulting movement between shafting and support ends will be equivalent to a 20° change.

Case 2 - For bearings supported on wood, brick, or concrete walls, or on piers with foundations in the ground, the amount of expansion is usually considered negligible. Therefore, the full amount of shafting expansion as calculated in Table 25 below, may be accommodated.

Case 3 - Certain structural designs have built-in flexibility. Where this is the case, expansion type bearings are not necessary.

Case 4 - Short shafts with only two bearings are usually designed without compensation for expansion, if temperature variations are not excessive.

Advice on Expansion Problems-

DODGE power transmission engineers will gladly make recommendations concerning shaft expansion problems and the use of suitable bearings.

Table 25: Linear Expansion of Steel Shafting

Base on Expansion In Inches = 0.000063 x 12 x Length in Feet x Temp. Increase in Degrees Fahrenheit

| Length (Feet) | Temperature Increase-Degrees F. | | | | | Length (Feet) | Temperature Increase-Degrees F. | | | | |
|---------------|---------------------------------|-------|-------|-------|-------|---------------|---------------------------------|------|------|------|-------|
| | 20° | 40° | 60° | 80° | 100° | | 20° | 40° | 60° | 80° | 100° |
| 1 | .0015 | .0030 | .0045 | .0060 | .0075 | 40 | .060 | .121 | .181 | .242 | .302 |
| 2 | .0030 | .0060 | .0091 | .0121 | .0151 | 45 | .068 | .136 | .204 | .272 | .340 |
| 3 | .0045 | .0091 | .0136 | .0181 | .0227 | 50 | .076 | .151 | .227 | .302 | .378 |
| 4 | .0060 | .0121 | .0181 | .0242 | .0302 | 55 | .083 | .166 | .249 | .333 | .416 |
| 5 | .0076 | .0151 | .0227 | .0302 | .0378 | 60 | .091 | .181 | .272 | .363 | .454 |
| 6 | .0091 | .0181 | .0272 | .0363 | .0454 | 65 | .098 | .197 | .295 | .393 | .491 |
| 7 | .0106 | .0212 | .0318 | .0423 | .0529 | 70 | .106 | .212 | .317 | .423 | .529 |
| 8 | .0121 | .0242 | .0363 | .0484 | .0605 | 75 | .113 | .227 | .340 | .454 | .567 |
| 9 | .0136 | .0272 | .0408 | .0544 | .0680 | 80 | .121 | .242 | .363 | .484 | .605 |
| 10 | .0151 | .0302 | .0454 | .0605 | .0756 | 85 | .129 | .257 | .386 | .514 | .643 |
| 12 | .0181 | .0363 | .0544 | .0726 | .0907 | 90 | .136 | .272 | .408 | .544 | .680 |
| 14 | .0212 | .0423 | .0635 | .0847 | .1058 | 95 | .144 | .287 | .431 | .575 | .718 |
| 16 | .024 | .048 | .073 | .097 | .121 | 100 | .151 | .302 | .454 | .605 | .756 |
| 18 | .027 | .054 | .082 | .109 | .136 | 110 | .166 | .333 | .499 | .665 | .832 |
| 20 | .030 | .060 | .091 | .121 | .151 | 120 | .181 | .363 | .544 | .726 | .907 |
| 25 | .038 | .076 | .113 | .151 | .189 | 130 | .197 | .393 | .590 | .786 | .983 |
| 30 | .045 | .091 | .136 | .181 | .227 | 140 | .212 | .423 | .635 | .847 | 1.058 |
| 35 | .053 | .106 | .158 | .212 | .265 | 150 | .227 | .454 | .680 | .907 | 1.134 |

Weights and Properties of Steel Shafting

Table 26: Weight of Round Steel Shafting

| Shaft Size | Weight of Shafting for Various Lengths in feet | | | | | | | | | | | | | | | | Weight Per Inc. | |
|------------|--|------|------|------|------|------|------|------|------|-----|------|------|------|------|------|------|-----------------|------|
| | 1 | 2 | 3 | 4 | 5 | 6 | 7 | 8 | 9 | 10 | 12 | 14 | 16 | 18 | 20 | 22 | | 24 |
| 3/4 | 1.5 | 3.0 | 4.5 | 6.0 | 7.5 | 9.0 | 10.5 | 12.0 | 13.5 | 15 | 18 | 21 | 24 | 27 | 30 | 33 | 36 | .125 |
| 7/8 | 2.0 | 4.0 | 6.1 | 8.1 | 10.2 | 12.2 | 14.3 | 16.3 | 18.4 | 20 | 25 | 29 | 33 | 37 | 41 | 45 | 49 | .170 |
| *15/16 | 2.3 | 4.7 | 7.0 | 9.4 | 11.7 | 14.1 | 16.5 | 18.8 | 21.2 | 23 | 28 | 33 | 38 | 42 | 47 | 52 | 56 | .195 |
| 1 | 2.7 | 5.3 | 8.0 | 10.6 | 13.3 | 16.0 | 18.6 | 21.3 | 24.0 | 27 | 32 | 37 | 43 | 48 | 53 | 59 | 64 | .223 |
| 1-1/8 | 3.4 | 6.8 | 10.0 | 13.4 | 16.7 | 20.1 | 23.4 | 26.7 | 30.1 | 34 | 41 | 47 | 54 | 61 | 68 | 74 | 81 | .281 |
| *1-3/16 | 3.8 | 7.6 | 11.3 | 15.1 | 18.9 | 22.6 | 26.4 | 30.1 | 34.0 | 38 | 45 | 53 | 60 | 68 | 75 | 83 | 90 | .314 |
| 1-1/4 | 4.2 | 8.3 | 12.5 | 16.7 | 20.8 | 25.0 | 29.2 | 33.3 | 37.5 | 42 | 50 | 58 | 67 | 75 | 83 | 92 | 100 | .348 |
| 1-3/8 | 5.0 | 10.1 | 15.3 | 20.2 | 25.3 | 30.3 | 35.4 | 40.4 | 45.4 | 50 | 60 | 71 | 81 | 91 | 101 | 111 | 121 | .420 |
| *1-7/16 | 5.5 | 11 | 17 | 22 | 28 | 33 | 39 | 44 | 50 | 55 | 66 | 77 | 88 | 99 | 110 | 121 | 133 | .460 |
| 1-1/2 | 6.0 | 12 | 18 | 24 | 30 | 36 | 42 | 48 | 54 | 60 | 72 | 84 | 96 | 108 | 120 | 132 | 144 | .500 |
| *1-11/16 | 7.6 | 15 | 23 | 30 | 38 | 46 | 53 | 61 | 68 | 76 | 91 | 107 | 122 | 137 | 152 | 167 | 183 | .634 |
| *1-15/16 | 10.0 | 20 | 30 | 40 | 50 | 60 | 70 | 80 | 90 | 100 | 120 | 140 | 161 | 181 | 201 | 221 | 241 | .835 |
| 2 | 10.7 | 21 | 32 | 43 | 53 | 64 | 75 | 85 | 96 | 107 | 128 | 150 | 171 | 192 | 214 | 235 | 256 | .890 |
| *2-3/16 | 12.8 | 26 | 38 | 51 | 64 | 77 | 90 | 102 | 115 | 128 | 153 | 179 | 205 | 230 | 256 | 281 | 307 | 1.06 |
| *2-7/16 | 15.9 | 32 | 48 | 63 | 79 | 95 | 111 | 127 | 143 | 159 | 190 | 222 | 254 | 286 | 317 | 349 | 381 | 1.32 |
| 2-1/2 | 16.7 | 34 | 50 | 67 | 83 | 100 | 117 | 134 | 150 | 167 | 200 | 234 | 267 | 301 | 334 | 367 | 401 | 1.39 |
| *2-11/16 | 19.3 | 39 | 58 | 77 | 97 | 116 | 135 | 154 | 174 | 193 | 232 | 270 | 309 | 348 | 386 | 425 | 463 | 1.61 |
| *2-15/16 | 23.0 | 46 | 69 | 92 | 115 | 138 | 161 | 184 | 208 | 231 | 277 | 323 | 369 | 415 | 461 | 507 | 553 | 1.92 |
| *3-7/16 | 31.6 | 63 | 95 | 126 | 158 | 189 | 221 | 253 | 284 | 316 | 379 | 442 | 505 | 568 | 631 | 695 | 758 | 2.63 |
| *3-15/16 | 41.4 | 83 | 124 | 166 | 207 | 248 | 290 | 331 | 373 | 414 | 497 | 580 | 662 | 745 | 828 | 911 | 994 | 3.45 |
| *4-7/16 | 52.6 | 105 | 158 | 210 | 263 | 315 | 368 | 421 | 473 | 526 | 631 | 736 | 841 | 946 | 1052 | 1157 | 1262 | 4.38 |
| *4-15/16 | 65.1 | 130 | 195 | 260 | 326 | 391 | 456 | 521 | 586 | 651 | 781 | 911 | 1041 | 1172 | 1302 | 1432 | 1562 | 5.42 |
| *5-7/16 | 79.0 | 158 | 237 | 316 | 395 | 474 | 553 | 632 | 711 | 790 | 947 | 1105 | 1263 | 1421 | 1579 | 1737 | 1894 | 6.58 |
| *6 | 96 | 192 | 288 | 384 | 481 | 577 | 673 | 769 | 865 | 961 | 1154 | 1346 | 1538 | 1730 | 1923 | 2115 | 2307 | 8.01 |

* **Recommended Diameters** These shaft diameters are recommended for use in principal cities as various transmission items such as couplings, collars, clutches, pulleys, etc., are carried in stock in these sizes, at least up to 3-15/16", in the principal cities throughout the United States.

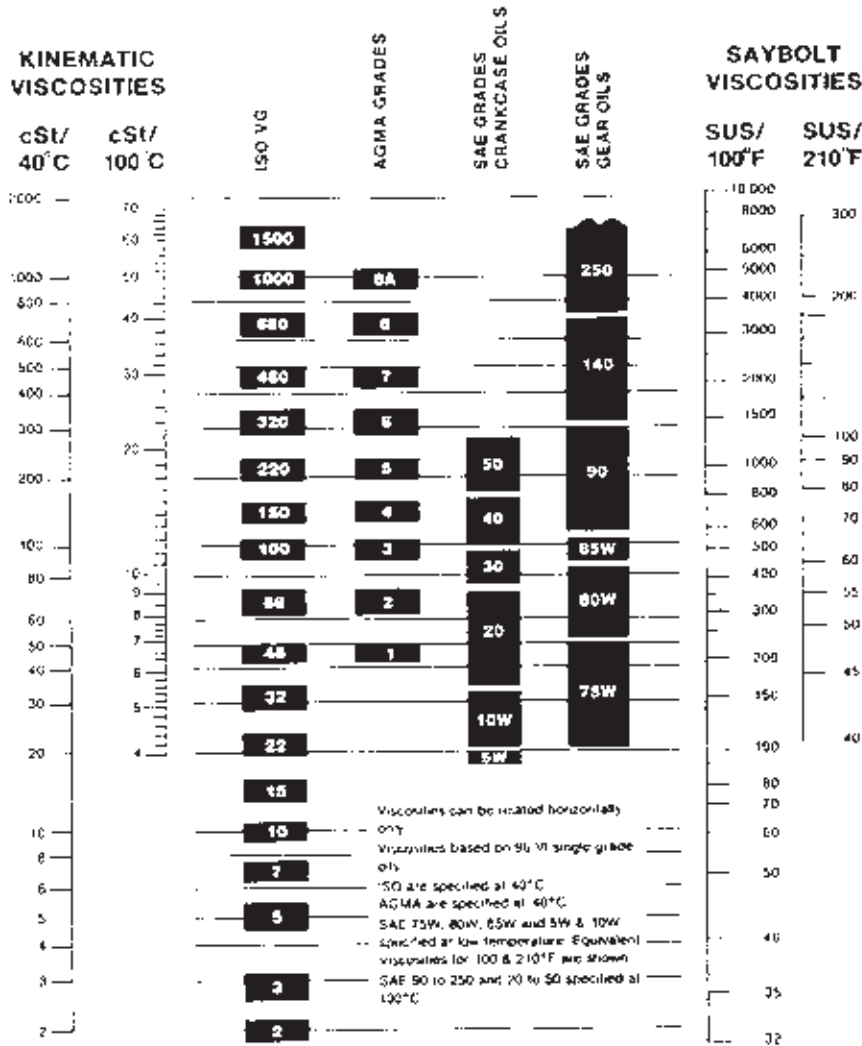
Table 27: Weight and Properties of Round Steel Shafting

| Shaft Size | Weight per Inch | Section Modulus | | Moment of Inertia | | Shaft Size | Weight per Inch | Section Modulus | | Moment of Inertia | |
|------------|-----------------|-----------------|---------|-------------------|---------|------------|-----------------|-----------------|---------|-------------------|---------|
| | | Bending | Torsion | Bending | Torsion | | | Bending | Torsion | Bending | Torsion |
| 1/16 | .00087 | .000024 | .000048 | .000001 | .000002 | 2-7/16 | 1.32 | 1.422 | 2.844 | 1.733 | 3.466 |
| 1/8 | .0035 | .000192 | .000383 | .000012 | .000024 | 2-1/2 | 1.39 | 1.534 | 3.068 | 1.918 | 3.835 |
| 3/16 | .0078 | .000647 | .001294 | .000061 | .000121 | 2-9/16 | 1.46 | 1.652 | 3.304 | 2.117 | 4.233 |
| 1/4 | .0139 | .001534 | .003068 | .000192 | .000383 | 2-5/8 | 1.53 | 1.776 | 3.552 | 2.331 | 4.661 |
| 5/16 | .0217 | .002996 | .005992 | .000468 | .000936 | 2-11/16 | 1.61 | 1.906 | 3.811 | 2.561 | 5.122 |
| 3/8 | .0313 | .005177 | .010354 | .000971 | .001941 | 2-3/4 | 1.68 | 2.042 | 4.084 | 2.807 | 5.615 |
| 7/16 | .0425 | .008221 | .016442 | .001798 | .003597 | 2-13/16 | 1.76 | 2.184 | 4.368 | 3.071 | 6.143 |
| 1/2 | .0556 | .0123 | .0245 | .0031 | .0061 | 2-7/8 | 1.84 | 2.333 | 4.666 | 3.354 | 6.707 |
| 9/16 | .0703 | .0175 | .0349 | .0049 | .0098 | 2-15/16 | 1.92 | 2.489 | 4.977 | 3.655 | 7.310 |
| 5/8 | .0868 | .0240 | .0479 | .0075 | .0150 | 3 | 2.00 | 2.651 | 5.301 | 3.976 | 7.952 |
| 11/16 | .1051 | .0319 | .0638 | .0110 | .0219 | 3-1/16 | 2.08 | 2.820 | 5.640 | 4.318 | 8.636 |
| 3/4 | .125 | .0414 | .0828 | .0155 | .0311 | 3-1/8 | 2.17 | 2.996 | 5.992 | 4.681 | 9.363 |
| 13/16 | .1467 | .0527 | .1053 | .0214 | .0428 | 3-3/16 | 2.26 | 3.179 | 6.359 | 5.067 | 10.13 |
| 7/8 | .1701 | .0658 | .1315 | .0288 | .0575 | 3-1/4 | 2.35 | 3.370 | 6.740 | 5.477 | 10.95 |
| 15/16 | .1954 | .0809 | .1618 | .0379 | .0758 | 3-5/16 | 2.44 | 3.568 | 7.137 | 5.910 | 11.82 |
| 1 | .22 | .0982 | .1963 | .0491 | .0982 | 3-3/8 | 2.53 | 3.774 | 7.548 | 6.369 | 12.74 |
| 1-1/16 | .25 | .1178 | .2355 | .0626 | .1251 | 3-7/16 | 2.63 | 3.988 | 7.976 | 6.854 | 13.71 |
| 1-1/8 | .28 | .1398 | .2796 | .0786 | .1573 | 3-1/2 | 2.72 | 4.209 | 8.419 | 7.366 | 14.73 |
| 1-3/16 | .31 | .1644 | .3288 | .0976 | .1952 | 3-9/16 | 2.82 | 4.439 | 8.878 | 7.907 | 15.81 |
| 1-1/4 | .35 | .1917 | .3835 | .1198 | .2397 | 3-5/8 | 2.92 | 4.677 | 9.353 | 8.476 | 16.95 |
| 1-5/16 | .38 | .2220 | .4439 | .1457 | .2913 | 3-11/16 | 3.02 | 4.923 | 9.845 | 9.076 | 18.15 |
| 1-3/8 | .42 | .2552 | .5104 | .1755 | .3509 | 3-3/4 | 3.13 | 5.177 | 10.35 | 9.707 | 19.41 |
| 1-7/16 | .46 | .2916 | .5832 | .2096 | .4192 | 3-13/16 | 3.23 | 5.440 | 10.88 | 10.37 | 20.74 |
| 1-1/2 | .50 | .3313 | .6627 | .2485 | .4970 | 3-7/8 | 3.34 | 5.712 | 11.42 | 11.07 | 22.14 |
| 1-9/16 | .54 | .3745 | .7490 | .2926 | .5852 | 3-15/16 | 3.45 | 5.993 | 11.99 | 11.80 | 23.60 |
| 1-5/8 | .59 | .4213 | .8425 | .3423 | .6846 | 4 | 3.56 | 6.283 | 12.57 | 12.57 | 25.13 |
| 1-11/16 | .63 | .4718 | .9435 | .3981 | .7961 | 4-1/16 | 3.67 | 6.582 | 13.16 | 13.37 | 26.74 |
| 1-3/4 | .68 | .5262 | 1.052 | .4604 | .9208 | 4-1/8 | 3.78 | 6.891 | 13.78 | 14.21 | 28.42 |
| 1-13/16 | .73 | .5846 | 1.169 | .5298 | 1.060 | 4-3/16 | 3.90 | 7.209 | 14.42 | 15.09 | 30.19 |
| 1-7/8 | .78 | .6471 | 1.294 | .6067 | 1.213 | 4-1/4 | 4.01 | 7.536 | 15.07 | 16.01 | 32.03 |
| 1-15/16 | .83 | .7140 | 1.428 | .6917 | 1.384 | 4-5/16 | 4.13 | 7.874 | 15.75 | 16.98 | 33.96 |
| 2 | .89 | .7854 | 1.571 | .7854 | 1.571 | 4-3/8 | 4.25 | 8.221 | 16.44 | 17.98 | 35.97 |
| 2-1/16 | .94 | .8614 | 1.723 | .8883 | 1.777 | 4-7/16 | 4.38 | 8.579 | 17.16 | 19.03 | 38.07 |
| 2-1/8 | 1.00 | .9421 | 1.884 | 1.001 | 2.002 | 4-1/2 | 4.50 | 8.946 | 17.89 | 20.13 | 40.26 |
| 2-3/16 | 1.06 | 1.028 | 2.055 | 1.124 | 2.248 | 4-9/16 | 4.63 | 9.324 | 18.65 | 21.27 | 42.54 |
| 2-1/4 | 1.13 | 1.118 | 2.237 | 1.258 | 2.516 | 4-5/8 | 4.75 | 9.713 | 19.43 | 22.46 | 44.92 |
| 2-5/16 | 1.19 | 1.214 | 2.428 | 1.404 | 2.808 | 4-11/16 | 4.88 | 10.11 | 20.22 | 23.70 | 47.40 |
| 2-3/8 | 1.25 | 1.315 | 2.630 | 1.562 | 3.124 | 4-3/4 | 5.01 | 10.52 | 21.04 | 24.99 | 49.98 |

Table 27: Weight and Properties of Round Steel Shafting

| Shaft Size | Weight per Inch | Section Modulus | | Moment of Inertia | | Shaft Size | Weight per Inch | Section Modulus | | Moment of Inertia | |
|------------|-----------------|-----------------|---------|-------------------|---------|------------|-----------------|-----------------|---------|-------------------|---------|
| | | Bending | Torsion | Bending | Torsion | | | Bending | Torsion | Bending | Torsion |
| 4-13/16 | 5.15 | 10.94 | 21.88 | 26.33 | 52.66 | 13-1/2 | 40.50 | 241.50 | 483.10 | 1630 | 3261 |
| 4-7/8 | 5.28 | 11.37 | 22.75 | 27.72 | 55.45 | 13-3/4 | 42.00 | 255.20 | 510.40 | 1755 | 3509 |
| 4-15/16 | 5.42 | 11.82 | 23.63 | 29.17 | 58.35 | 14 | 43.60 | 269.40 | 538.80 | 1886 | 3771 |
| 5 | 5.56 | 12.27 | 24.54 | 30.68 | 61.36 | 14-1/4 | 45.10 | 284.10 | 568.20 | 2024 | 4048 |
| 5-1/16 | 5.70 | 12.74 | 25.48 | 32.24 | 64.49 | 14-1/2 | 46.70 | 299.30 | 598.60 | 2170 | 4340 |
| 5-1/8 | 5.84 | 13.22 | 26.43 | 33.86 | 67.73 | 14-3/4 | 48.40 | 315.00 | 630.10 | 2324 | 4647 |
| 5-3/16 | 5.98 | 13.70 | 27.41 | 35.55 | 71.09 | 15 | 50.00 | 331.30 | 662.70 | 2485 | 4970 |
| 5-1/4 | 6.13 | 14.21 | 28.41 | 37.29 | 74.58 | 15-1/4 | 51.70 | 348.20 | 696.40 | 2655 | 5310 |
| 5-5/16 | 6.27 | 14.72 | 29.44 | 39.10 | 78.20 | 15-1/2 | 53.40 | 365.60 | 731.20 | 2833 | 5667 |
| 5-3/8 | 6.42 | 15.25 | 30.49 | 40.97 | 81.94 | 15-3/4 | 55.10 | 383.60 | 767.10 | 3021 | 6041 |
| 5-7/16 | 6.58 | 15.78 | 31.57 | 42.91 | 85.82 | 16 | 56.90 | 402.10 | 804.20 | 3217 | 6434 |
| 5-1/2 | 6.72 | 16.33 | 32.67 | 44.92 | 89.84 | 16-1/4 | 58.70 | 421.30 | 842.50 | 3422 | 6846 |
| 5-9/16 | 6.88 | 16.90 | 33.79 | 46.99 | 93.99 | 16-1/2 | 60.50 | 441.00 | 882.00 | 3638 | 7277 |
| 5-5/8 | 7.03 | 17.47 | 34.95 | 49.14 | 98.29 | 16-3/4 | 62.40 | 461.40 | 922.70 | 3864 | 7728 |
| 5-11/16 | 7.19 | 18.06 | 36.12 | 51.36 | 102.70 | 17 | 64.20 | 482.30 | 964.70 | 4100 | 8200 |
| 5-3/4 | 7.35 | 18.66 | 37.33 | 53.66 | 107.30 | 17-1/4 | 66.10 | 503.90 | 1008 | 4346 | 8693 |
| 5-13/16 | 7.51 | 19.28 | 38.56 | 56.03 | 112.10 | 17-1/2 | 68.10 | 526.20 | 1052 | 4604 | 9208 |
| 5-7/8 | 7.67 | 19.91 | 39.82 | 58.48 | 117.00 | 17-3/4 | 70.00 | 549.10 | 1098 | 4873 | 9745 |
| 5-15/16 | 7.84 | 20.55 | 41.10 | 61.01 | 122.00 | 18 | 72.00 | 572.60 | 1145 | 5153 | 10306 |
| 6 | 8.00 | 21.21 | 42.41 | 63.62 | 127.20 | 18-1/4 | 74.00 | 596.70 | 1193 | 5445 | 10891 |
| 6-1/16 | 8.17 | 21.88 | 43.75 | 66.31 | 132.60 | 18-1/2 | 76.10 | 621.60 | 1243 | 5750 | 11500 |
| 6-1/8 | 8.34 | 22.56 | 45.12 | 69.09 | 138.20 | 18-3/4 | 78.10 | 647.10 | 1294 | 6067 | 12134 |
| 6-3/16 | 8.51 | 23.26 | 46.51 | 71.95 | 143.90 | 19 | 80.20 | 673.40 | 1347 | 6397 | 12794 |
| 6-1/4 | 8.68 | 23.97 | 47.94 | 74.90 | 149.80 | 19-1/4 | 82.40 | 700.30 | 1401 | 6741 | 13481 |
| 6-5/16 | 8.86 | 24.69 | 49.39 | 77.94 | 155.90 | 19-1/2 | 84.50 | 728.00 | 1456 | 7098 | 14195 |
| 6-3/8 | 9.03 | 25.44 | 50.87 | 81.08 | 162.20 | 19-3/4 | 86.70 | 756.30 | 1513 | 7469 | 14937 |
| 6-7/16 | 9.21 | 26.19 | 52.38 | 84.30 | 168.60 | 20 | 88.90 | 785.40 | 1571 | 7854 | 15708 |
| 6-1/2 | 9.39 | 26.96 | 53.92 | 87.62 | 175.20 | 20-1/4 | 91.10 | 815.20 | 1630 | 8254 | 16508 |
| 6-5/8 | 9.76 | 28.55 | 57.09 | 94.56 | 189.10 | 20-1/2 | 93.40 | 845.80 | 1692 | 8669 | 17339 |
| 6-3/4 | 10.10 | 30.19 | 60.39 | 101.90 | 203.80 | 20-3/4 | 95.70 | 877.10 | 1754 | 9100 | 18200 |
| 6-7/8 | 10.50 | 31.90 | 63.80 | 109.70 | 219.30 | 21 | 98.00 | 909.20 | 1818 | 9547 | 19093 |
| 7 | 10.90 | 33.67 | 67.35 | 117.90 | 235.70 | 21-1/4 | 100.40 | 942.10 | 1884 | 10009 | 20019 |
| 7-1/8 | 11.30 | 35.51 | 71.02 | 126.50 | 253.00 | 21-1/2 | 102.70 | 975.70 | 1951 | 10489 | 20978 |
| 7-1/4 | 11.70 | 37.41 | 74.82 | 135.60 | 271.20 | 21-3/4 | 105.10 | 1010 | 2020 | 10985 | 21970 |
| 7-3/8 | 12.10 | 39.38 | 78.76 | 145.20 | 290.40 | 22 | 107.60 | 1045 | 2091 | 11499 | 22998 |
| 7-1/2 | 12.50 | 41.42 | 82.84 | 155.30 | 310.60 | 22-1/4 | 110.00 | 1081 | 2163 | 12031 | 24061 |
| 7-5/8 | 12.90 | 43.52 | 87.05 | 165.90 | 331.90 | 22-1/2 | 112.50 | 1118 | 2237 | 12581 | 25161 |
| 7-3/4 | 13.30 | 45.70 | 91.40 | 177.10 | 354.20 | 22-3/4 | 115.00 | 1156 | 2312 | 13149 | 26298 |
| 7-7/8 | 13.80 | 47.95 | 95.89 | 188.80 | 377.60 | 23 | 117.60 | 1194 | 2389 | 13737 | 27473 |
| 8 | 14.30 | 50.27 | 100.50 | 201.10 | 402.10 | 23-1/4 | 120.10 | 1234 | 2468 | 14344 | 28687 |
| 8-1/8 | 14.70 | 52.66 | 105.30 | 213.90 | 427.90 | 23-1/2 | 122.70 | 1274 | 2548 | 14971 | 29941 |
| 8-1/4 | 15.10 | 55.13 | 110.30 | 227.40 | 454.80 | 23-3/4 | 125.40 | 1315 | 2630 | 15618 | 31236 |
| 8-3/8 | 15.60 | 57.67 | 115.30 | 241.50 | 483.00 | 24 | 128.00 | 1357 | 2714 | 16286 | 32572 |
| 8-1/2 | 16.10 | 60.29 | 120.60 | 256.20 | 512.50 | 24-1/4 | 130.70 | 1400 | 2800 | 16975 | 33951 |
| 8-5/8 | 16.50 | 62.99 | 126.00 | 271.60 | 543.30 | 24-1/2 | 133.40 | 1444 | 2888 | 17686 | 35372 |
| 8-3/4 | 17.00 | 65.77 | 131.60 | 287.70 | 575.50 | 24-1/4 | 136.20 | 1488 | 2977 | 18419 | 36838 |
| 8-7/8 | 17.50 | 68.63 | 137.30 | 304.50 | 609.10 | 25 | 138.90 | 1534 | 3068 | 19175 | 38350 |
| 9 | 18.00 | 71.57 | 143.10 | 322.10 | 644.10 | 25-1/4 | 141.70 | 1580 | 3161 | 19954 | 39907 |
| 9-1/8 | 18.50 | 74.59 | 149.20 | 340.30 | 680.70 | 25-1/2 | 144.50 | 1628 | 3256 | 20755 | 41511 |
| 9-1/4 | 19.00 | 77.70 | 155.40 | 359.40 | 718.70 | 25-3/4 | 147.40 | 1676 | 3352 | 21581 | 43163 |
| 9-3/8 | 19.50 | 80.89 | 161.80 | 379.20 | 758.40 | 26 | 150.30 | 1726 | 3451 | 22432 | 44864 |
| 9-1/2 | 20.10 | 84.17 | 168.30 | 399.80 | 799.60 | 26-1/4 | 153.20 | 1776 | 3552 | 23307 | 46614 |
| 9-5/8 | 20.60 | 87.54 | 175.10 | 421.30 | 842.60 | 26-1/2 | 156.10 | 1827 | 3654 | 24208 | 48415 |
| 9-3/4 | 21.10 | 90.99 | 182.00 | 443.60 | 887.20 | 26-3/4 | 159.00 | 1879 | 3758 | 25134 | 50268 |
| 9-7/8 | 21.70 | 94.54 | 189.10 | 466.80 | 933.60 | 27 | 162.00 | 1932 | 3865 | 26087 | 52174 |
| 10 | 22.20 | 98.17 | 196.30 | 490.90 | 981.70 | 27-1/2 | 168.10 | 2042 | 4083 | 28074 | 56148 |
| 10-1/4 | 23.40 | 105.72 | 211.40 | 541.80 | 1084 | 28 | 174.30 | 2155 | 4310 | 30172 | 60344 |
| 10-1/2 | 24.50 | 113.65 | 227.30 | 596.70 | 1193 | 28-1/2 | 180.50 | 2273 | 4545 | 32385 | 64771 |
| 10-3/4 | 25.70 | 121.96 | 243.90 | 655.50 | 1311 | 29 | 186.90 | 2394 | 4789 | 34719 | 69437 |
| 11 | 26.90 | 130.67 | 261.30 | 718.70 | 1437 | 29-1/2 | 193.40 | 2520 | 5041 | 37176 | 74351 |
| 11-1/4 | 28.10 | 139.78 | 279.60 | 786.30 | 1573 | 30 | 200.00 | 2651 | 5301 | 39761 | 79522 |
| 11-1/2 | 29.40 | 149.31 | 298.60 | 858.50 | 1717 | 30-1/2 | 206.80 | 2785 | 5571 | 42479 | 84957 |
| 11-3/4 | 30.70 | 159.26 | 318.50 | 935.70 | 1871 | 31 | 213.60 | 2925 | 5849 | 45333 | 90666 |
| 12 | 32.00 | 169.65 | 339.30 | 1018 | 2036 | 31-1/2 | 220.50 | 3069 | 6137 | 48329 | 96659 |
| 12-1/4 | 33.40 | 180.47 | 360.90 | 1105 | 2211 | 32 | 227.60 | 3217 | 6434 | 51472 | 102944 |
| 12-1/2 | 34.70 | 191.75 | 383.50 | 1198 | 2397 | 32-1/2 | 234.80 | 3370 | 6740 | 54765 | 109530 |
| 12-3/4 | 36.10 | 203.48 | 407.00 | 1297 | 2594 | 33 | 242.10 | 3528 | 7056 | 58214 | 116428 |
| 13 | 37.60 | 215.69 | 431.40 | 1402 | 2804 | 34 | 256.90 | 3859 | 7717 | 65597 | 131194 |
| 13-1/4 | 39.00 | 228.37 | 456.70 | 1513 | 3026 | 35 | 272.30 | 4209 | 8418 | 73662 | 147324 |

Viscosity Classification Equivalents



ISO VISCOSITY CLASSIFICATION SYSTEM

All industrial oils are graded according to the ISO Viscosity Classification System, approved by the International Standards Organizations (ISO). Each ISO viscosity grade number corresponds to the mid-point of viscosity range expressed in centistokes (cSt) at 40°C. For example, a lubricant with an ISO grade of 32 has a viscosity within the range of 28.80-35.2, the midpoint of which is 32.

Rule-of-Thumb: The comparable ISO grade of a competitive product whose viscosity in SUS at 100°F is known can be determined by using the following conversion formula:

$$\text{SUS @ 100° F} \div 5 = \text{cSt @ 40°C}$$

English Standard Measures

Long Measure

- 1 mile = 1760 yards = 5280 feet.
- 1 yard = 3 feet = 36 inches.
- 1 foot = 12 inches.

Surveyor's Measure

- 1 mile = 8 furlongs = 80 chains.
- 1 furlong = 10 chains = 220 yards.
- 1 chain = 4 rods = 22 yards = 66 feet = 100 links.
- 1 link = 7.92 inches.

Square Measure

- 1 square mile = 640 acres = 6400 square chains.
- 1 acre = 10 square chains = 4840 square yards = 43,560 square feet.
- 1 square chain = 16 square rods = 484 square yards = 4356 square feet.
- 1 square rod = 30.25 square yards = 272.25 square feet = 625 square links.
- 1 square yard = 9 square feet.
- 1 square foot = 144 square inches.
- An acre is equal to a square, the side of which is 208.7 feet.

Dry Measure

- 1 bushel (U.S. or Winchester struck bushel) = 1.2445 cubic foot = 2150.42 cubic inches.
- 1 bushel = 4 pecks = 32 quarts = 64 pints.
- 1 peck = 8 quarts = 16 pints.
- 1 quart = 2 pints.
- 1 heaped bushel = 1 1/4 struck bushel.
- 1 cubic foot = 0.8036 struck bushel.
- 1 British Imperial bushel = 8 Imperial gallons = 1.2837 cubic foot = 2218.19 cubic inches.

Liquid Measure

- 1 U.S. gallon = 0.1337 cubic foot = 231 cubic inches = 4 quarts = 8 pints.
- 1 quart = 2 pints = 8 gills.
- 1 pint = 4 gills.
- 1 British Imperial gallon = 1.2003 U.S. gallon = 277.27 cubic inches.
- 1 cubic foot = 7.48 U.S. gallons.

Circular and Angular Measure

- 60 seconds (") = 1 minute (')
- 60 minutes = 1 degree (-)
- 360 degrees = 1 circumference (C)
- 57.3 degrees = 1 radian
- 2 π radians = 1 circumference (C)

Specific Gravity

The specific gravity of a substance is its weight as compared with the weight of an equal bulk of pure water.

For making specific gravity determinations the temperature of the water is usually taken at 62° F. when 1 cubic foot of water weighs 62.355 lbs. Water is at its greatest density at 39.20° F. or 4° Centigrade.

Temperature

The following equation will be found convenient for transforming temperature from one system to another:

Let F = degrees Fahrenheit; C = degrees Centigrade; R = degrees Reamur.

$$F - 32 = \frac{C}{9} \times \frac{5}{R}$$

Avoirdupois or Commercial Weight

- 1 gross or long ton = 2240 pounds.
- 1 net or short ton = 2000 pounds.
- 1 pound = 16 ounces = 7000 grains.
- 1 ounce = 16 drams = 437.5 grains.

Measures of Pressure

- 1 pound per square inch = 144 pounds per square foot = 0.068 atmosphere = 2.042 inches of mercury at 62 degrees F. = 27.7 inches of water at 62 degrees F. = 2.31 feet of water at 62 degrees F.
- 1 atmosphere = 30 inches of mercury at 62 degrees F. = 14.7 pounds per square inch = 2116.3 pounds per square foot = 33.95 feet of water at 62 degrees F.
- 1 foot of water at 62 degrees F. = 62.355 pounds per square foot = 0.433 pound per square inch.
- 1 inch of mercury at 62 degrees F. = 1.132 foot of water = 13.58 inches of water = 0.491 pound per square inch.
- Column of water 12 in. high, 1 in. dia. = .341 lbs.

Cubic Measure

- 1 cubic yard = 27 cubic feet.
- 1 cubic foot = 1728 cubic inches.
- The following measures are also used for wood and masonry:
- 1 cord of wood = 4 X 4 X 8 feet = 128 cubic feet.
- 1 perch of masonry = 16-1/2 X 1-1/2 X 1 foot = 24-3/4 cubic feet.

Shipping Measure

- For measuring entire internal capacity of a vessel: 1 register ton = 100 cubic feet.
- For measurement of cargo:
- 1 U.S. shipping ton = 40 cubic feet = 32.143 U.S. bushels = 31.16 Imperial bushels.
- British shipping ton = 42 cubic feet = 33.75 U.S. bushels = 32.72 Imperial bushels.

Troy Weight, Used for Weighing Gold and Silver

- 1 pound = 12 ounces = 5760 grains.
- 1 ounce = 20 pennyweights = 480 grains.
- 1 pennyweight = 24 grains.
- 1 carat (used in weighing diamonds) = 3.086 grains.
- 1 grain Troy = 1 grain avoirdupois = 1 grain apothecaries' weight.

Measure Used for Diameters and Areas of Electric Wires

- 1 circular inch = area of circle 1 inch in diameter = 0.7854 square inch.
- 1 circular inch = 1,000,000 circular mils.
- 1 square inch = 1.2732 circular inch = 1,273,239 circular mils.
- A circular mil is the area of a circle 0.001 inch in diameter.

Board Measure

One foot board measure is a piece of wood 12 inches square by 1 inch thick, or 144 cubic inches. 1 cubic foot therefore equals 12 feet board measure

TABLE 28: Decimal and Millimeter Equivalents of Fractions

| Inches | | | Inches | | | Inches | | |
|-----------|----------|--------------|-----------|----------|--------------|-----------|----------|--------------|
| Fractions | Decimals | Milli-meters | Fractions | Decimals | Milli-meters | Fractions | Decimals | Milli-meters |
| 1/64 | .015625 | .397 | 23/64 | 11/32 | 3.4375 | 45/64 | 11/16 | 6.875 |
| | .03125 | .794 | | | 3.59375 | | | 7.03125 |
| 3/64 | .046875 | 1.191 | 25/64 | 3/8 | 3.75 | 47/64 | 23/32 | 7.1875 |
| | .0625 | 1.588 | | | 3.90625 | | | 7.34375 |
| 5/64 | .078125 | 1.984 | 27/64 | 13/32 | 4.0625 | 49/64 | 3/4 | 7.50 |
| | .09375 | 2.381 | | | 4.21875 | | | 7.65625 |
| 7/64 | .109375 | 2.778 | 29/64 | 7/16 | 4.375 | 51/64 | 25/32 | 7.8125 |
| | .125 | 3.175 | | | 4.53125 | | | 7.96875 |
| 9/64 | .140625 | 3.582 | 31/64 | 15/32 | 4.6875 | 53/64 | 13/16 | 8.125 |
| | .15625 | 3.969 | | | 4.8376 | | | 8.28125 |
| 11/64 | .171875 | 4.366 | 33/64 | 1/2 | .500 | 55/64 | 27/32 | 8.4375 |
| | .1875 | 4.763 | | | .515625 | | | 8.59375 |
| 13/64 | .203125 | 5.159 | 35/64 | 17/32 | .53125 | 57/64 | 7/8 | 8.75 |
| | .21875 | 5.556 | | | .546875 | | | 8.90625 |
| 15/64 | .234375 | 5.953 | 37/64 | 9/16 | .5625 | 59/64 | 29/32 | 9.0524 |
| | .250 | 6.350 | | | .578125 | | | 9.20875 |
| 7/64 | .265625 | 6.747 | 39/64 | 19/32 | .59375 | 61/64 | 15/16 | 9.375 |
| | .28125 | 7.144 | | | .609375 | | | 9.53125 |
| 19/64 | .296875 | 7.541 | 41/64 | 5/8 | .625 | 63/64 | 31/32 | 9.6875 |
| | .3125 | 7.938 | | | .640625 | | | 9.84375 |
| 21/64 | .328125 | 8.334 | 43/64 | 21/32 | .65625 | | 1 | 10.000 |
| | | | | | .671875 | | | 10.15625 |

Table 29: Millimeter-Inch Equivalents: 1" = 25.4mm (.03937" = 1mm)

| Milli-meter | Decimal | Milli-meter | Decimal | Milli-meter | Decimal | Milli-meter | Decimal | Milli-meter | Decimal |
|-------------|---------|-------------|---------|-------------|---------|-------------|---------|-------------|----------|
| 1 | .03937 | 52 | 2.04724 | 103 | 4.05511 | 154 | 6.06299 | 205 | 8.07086 |
| 2 | .07874 | 53 | 2.08661 | 104 | 4.09448 | 155 | 6.10236 | 206 | 8.11023 |
| 3 | .11811 | 54 | 2.12598 | 105 | 4.13385 | 156 | 6.14173 | 207 | 8.14960 |
| 4 | .15748 | 55 | 2.16535 | 106 | 4.17322 | 157 | 6.18110 | 208 | 8.18897 |
| 5 | .19685 | 56 | 2.20472 | 107 | 4.21259 | 158 | 6.22047 | 209 | 8.22834 |
| 6 | .23622 | 57 | 2.24409 | 108 | 4.25196 | 159 | 6.25984 | 210 | 8.26771 |
| 7 | .27559 | 58 | 2.28346 | 109 | 4.29133 | 160 | 6.29921 | 211 | 8.30708 |
| 8 | .31496 | 59 | 2.32283 | 110 | 4.33070 | 161 | 6.33858 | 212 | 8.34645 |
| 9 | .35433 | 60 | 2.36220 | 111 | 4.37007 | 162 | 6.37795 | 213 | 8.38582 |
| 10 | .39370 | 61 | 2.40157 | 112 | 4.40944 | 163 | 6.41732 | 214 | 8.42519 |
| 11 | .43307 | 62 | 2.44094 | 113 | 4.44881 | 164 | 6.45669 | 215 | 8.46456 |
| 12 | .47244 | 63 | 2.48031 | 114 | 4.48818 | 165 | 6.49606 | 216 | 8.50393 |
| 13 | .51181 | 64 | 2.51968 | 115 | 4.52755 | 166 | 6.53543 | 217 | 8.54330 |
| 14 | .55118 | 65 | 2.55905 | 116 | 4.56692 | 167 | 6.57480 | 218 | 8.58267 |
| 15 | .59055 | 66 | 2.59842 | 117 | 4.60629 | 168 | 6.61417 | 219 | 8.62204 |
| 16 | .62992 | 67 | 2.63779 | 118 | 4.64566 | 169 | 6.65354 | 220 | 8.66141 |
| 17 | .66929 | 68 | 2.67716 | 119 | 4.68503 | 170 | 6.69291 | 221 | 8.70078 |
| 18 | .70866 | 69 | 2.71653 | 120 | 4.72440 | 171 | 6.73228 | 222 | 8.74015 |
| 19 | .74803 | 70 | 2.75590 | 121 | 4.76377 | 172 | 6.77165 | 223 | 8.77952 |
| 20 | .78740 | 71 | 2.79527 | 122 | 4.80315 | 173 | 6.81102 | 224 | 8.81889 |
| 21 | .82677 | 72 | 2.83464 | 123 | 4.84252 | 174 | 6.85039 | 225 | 8.85826 |
| 22 | .86614 | 73 | 2.87401 | 124 | 4.88189 | 175 | 6.88976 | 226 | 8.89763 |
| 23 | .90551 | 74 | 2.91338 | 125 | 4.92126 | 176 | 6.92913 | 227 | 8.93700 |
| 24 | .94488 | 75 | 2.95275 | 126 | 4.96063 | 177 | 6.96850 | 228 | 8.97637 |
| 25 | .98425 | 76 | 2.99212 | 127 | 5.00000 | 178 | 7.00787 | 229 | 9.01574 |
| 26 | 1.02362 | 77 | 3.03149 | 128 | 5.03937 | 179 | 7.04724 | 230 | 9.05511 |
| 27 | 1.06299 | 78 | 3.07086 | 129 | 5.07875 | 180 | 7.08661 | 231 | 9.09448 |
| 28 | 1.10236 | 79 | 3.11023 | 130 | 5.11811 | 181 | 7.12598 | 232 | 9.13385 |
| 29 | 1.14173 | 80 | 3.14960 | 131 | 5.15749 | 182 | 7.16535 | 233 | 9.17322 |
| 30 | 1.18110 | 81 | 3.18897 | 132 | 5.19685 | 183 | 7.20472 | 234 | 9.21259 |
| 31 | 1.22047 | 82 | 3.22834 | 133 | 5.23622 | 184 | 7.24409 | 235 | 9.25196 |
| 32 | 1.25984 | 83 | 3.26771 | 134 | 5.27559 | 185 | 7.28346 | 236 | 9.29133 |
| 33 | 1.29921 | 84 | .303708 | 135 | 5.31496 | 186 | 7.32283 | 237 | 9.33070 |
| 34 | 1.33858 | 85 | 3.34645 | 136 | 5.35433 | 187 | 7.36220 | 238 | 9.37007 |
| 35 | 1.37795 | 86 | 3.38582 | 137 | 5.39370 | 188 | 7.40157 | 239 | 9.40944 |
| 36 | 1.41732 | 87 | .342519 | 138 | .543307 | 189 | 7.44094 | 240 | 9.44881 |
| 37 | 1.45669 | 88 | 3.46456 | 139 | .547244 | 190 | 7.48031 | 241 | 9.48818 |
| 38 | 1.49606 | 89 | 3.50393 | 140 | 5.51181 | 191 | 7.51968 | 242 | 9.52755 |
| 39 | 1.53543 | 90 | 3.54330 | 141 | 5.55118 | 192 | 7.55905 | 243 | 9.56692 |
| 40 | 1.57480 | 91 | .358267 | 142 | 5.59055 | 193 | 7.59842 | 244 | 9.60629 |
| 41 | 1.61417 | 92 | 3.62204 | 143 | 5.62992 | 194 | 7.63779 | 245 | 9.64566 |
| 42 | 1.65354 | 93 | 3.66141 | 144 | 5.66929 | 195 | 7.67716 | 246 | 9.68503 |
| 43 | 1.69291 | 94 | 3.70078 | 145 | 5.70866 | 196 | 7.71653 | 247 | 9.72440 |
| 44 | 1.73228 | 95 | 3.74015 | 146 | 5.74803 | 197 | 7.75590 | 248 | 9.76377 |
| 45 | 1.77165 | 96 | 3.77952 | 147 | 5.78740 | 198 | 7.79527 | 249 | 9.80314 |
| 46 | 1.81102 | 97 | 3.81889 | 148 | 5.82677 | 199 | 7.83464 | 250 | 9.84252 |
| 47 | 1.85039 | 98 | 3.85826 | 149 | 5.86614 | 200 | 7.87401 | 251 | 9.88189 |
| 48 | 1.88976 | 99 | 3.89763 | 150 | 5.90551 | 201 | 7.91338 | 252 | 9.92126 |
| 49 | 1.92913 | 100 | 3.93700 | 151 | 5.94488 | 202 | 7.95275 | 253 | 9.96063 |
| 50 | 1.96850 | 101 | 3.97637 | 152 | 5.98425 | 203 | 7.99212 | 254 | 10.00000 |
| 51 | 2.00787 | 102 | 4.01574 | 153 | 6.02362 | 204 | 8.03149 | - | - |

Metric System of Measurements

Measures of Length

| | | | |
|------|-------------------|---|--------------------|
| 10 | millimeters (mm.) | = | 1 centimeter (cm.) |
| 10 | centimeters | = | 1 decimeter (dm.) |
| 10 | decimeters | = | 1 meter (m.) |
| 1000 | meter | = | 1 kilometer (km.) |

Measure of Weight

| | | | |
|------|------------------|---|---------------------|
| 10 | milligrams (mg.) | = | 1 centigram (cg.) |
| 10 | centigrams | = | 1 decigram (dg.) |
| 10 | decigrams | = | 1 gram (g.) |
| 10 | grams | = | 1 decagram (Dg.) |
| 10 | decagrams | = | 1 hectogram (Hg.) |
| 10 | hectograms | = | 1 Kilogram (Kg.) |
| 1000 | kilograms | = | 1 (metric) ton (T.) |

Surveyor's Square Measure

| | | | |
|-----|---------------------|---|------------------------|
| 100 | square meters (m.2) | = | 1 are (ar.) |
| 100 | acres | = | 1 hectare (har.) |
| 100 | hectares | = | 1 sq. kilometer (Km.2) |

Square Measure

| | | | |
|-----|------------------------|---|-------------------------|
| 100 | sq. millimeters (mm.2) | = | 1 sq. centimeter (cm.3) |
| 100 | sq. centimeters | = | 1 sq. decimeter (dm.2) |
| 100 | sq. decimeters | = | 1 sq. meter (m.2) |

Cubic Measure

| | | | |
|------|------------------------|---|-------------------------|
| 1000 | cu. millimeters (mm.3) | = | 1 cu. centimeter (cm.3) |
| 1000 | cu. centimeters | = | 1 cu. decimeter (dm.3) |
| 1000 | cu. decimeters | = | 1 cu. meter (m.3) |

Dry and Liquid Measure

| | | | |
|-----|-------------------|---|--------------------|
| 10 | milliliters (ml.) | = | 1 centiliter (cl.) |
| 10 | centiliters | = | 1 deciliter (dl.) |
| 10 | deciliters | = | 1 liter (l.) |
| 100 | liters | = | 1 hectoliter (Hl.) |

1 liter = 1 cubic decimeter = the volume of 1 kilogram of pure water at a temperature of 39.2 degrees F.

Length Conversion Constants for Metric and U.S. Units

Millimeters X.039370 = inches.
Meters x 39.370 = inches.
Meters X 3.2808 = feet.
Meters X 1.09361 = yards.
Kilometers X 3,280.8 = feet.
Kilometers X.62137 = Statute Miles.
Kilometers x.53959 = Nautical Miles.

Inches X 25.4001 = millimeters.
Inches X.0254 = meters.
Feet x.30480 = meters.
Yards X.91440 = meters.
Feet x.0003048 = kilometers.
Statute Miles X 1.60935 = kilometers.
Nautical Miles x 1.85325 = kilometers.

Weight Conversion Constants for Metric and U.S. Units

Grams X 981 = dynes.
Grams X 15.432 = grains.
Grams X.03527 = ounces (Avd.).
Grams x.033818 = fluid ounces (water).
Kilograms X 35.27 = ounces (Avd.).
Kilograms X 2.20462 = pounds (Avd.).
Metric Tons (1000 Kg.) X 1.10231 = Net Ton (2000 lbs.).
Metric Tons (1000 Kg.) X.98421 = Gross Ton (2240 lbs.).

Dynes X.0010193 = grams.
Grains X.0648 = grams.
Ounces (Avd.) X 28.35 = grams.
Fluid Ounces (Water) X 29.57 = grams.
Ounces (Avd.) X.02835 = kilograms.
Pounds (Avd.) X.45359 = kilograms.
Net Ton (2000 lbs.) X.90719 = Metric Tons (1000 Kg.).
Gross Ton (2240 lbs.) X 1.01605 = Metric Tons (1000 Kg.).

Area Conversion Constants for Metric and U.S. Units

Square Millimeters X.00155 = square inches.
Square centimeters X.155 = square inches.
Square Meters X 10.76387 = square feet.
Square Meters X 1.19599 = square yards.
Hectares X 2.47104 = acres.
Square Kilometers X 247.104 = acres.
Square Kilometers X.3861 = square miles.

Square Inches X 645.163 = square millimeters.
Square Inches x 6.45163 = square centimeters.
Square Feet x.0929 = square meters.
Square Yards X.83613 = square meters.
Acres X.40469 = hectares.
Acres X.0040469 = square kilometers.
Square Miles X 2.5899 = square kilometers.

Volume Conversion Constants for Metric and U.S. Units

Cubic centimeters X.033818 = fluid ounces.
Cubic centimeters X.061023 = cubic inches.
Cubic centimeters X.271 = fluid drams.
Liters X 61.023 = cubic inches.
Liters X 1.05668 = quarts.
Liters X .26417 = gallons.
Liters X.035317 = cubic feet.
Hectoliters X 26.417 = gallons.
Hectoliters X 3.5317 = cubic feet.
Hectoliters X 2.83794 = bushel (2150.42 cu. in.).
Hectoliters X.1308 = cubic yards.
Cubic Meters x 264.17 = gallons.
Cubic Meters x 35.317 = cubic feet.
Cubic Meters X 1.308 = cubic yards.

Fluid Ounces X 29.57 = cubic centimeters.
Cubic Inches X 16.387 = cubic centimeters.
Fluid Drams x 3.69 = cubic centimeters.
Cubic Inches X.016387 = liters.
Quarts x.94636 = liters.
Gallons x 3.78543 = liters.
Cubic Feet x 28.316 = liters.
Gallons x.0378543 = hectoliters.
Cubic Feet x.28316 = hectoliters.
Bushels (2150.42 cu. in.) X.352379 = hectoliters.
Cubic Yards x 7.645 = hectoliters.
Gallons x.00378543 = cubic meters.
Cubic Feet x.028316 = cubic meters.
Cubic Yards x.7645 = cubic meters.

Power and Heat Conversion Constants for Metric and U.S. Units

Calorie x 0.003968 = B.T.U.
Joules X.7373 = pound-feet.
Newton-Meters X 8.851 = pound-inches
Cheval Vapeur X.9863 = Horsepower.
Kilowatts X 1.34 = Horsepower.
Kilowatt Hours X 3415 = B.T.U.
(Degrees Cent. X 1.8) +32 = degrees Fahr.
(Degrees Reamur X 2.25) + 32 = degrees Fahr.

B.T.U. X 252 = calories.
Pound-Foot X 1.3563 = joules.
Pound-inches X 1.1298 = Newton-meters.
Horsepower X 1.014 = Cheval Vapeur.
Horsepower X.746 = kilowatts.
B.T.U. X.00029282 = kilowatt hours.
(Degrees Fahr. - 32) x.555 = degrees Cent.
(Degrees Fahr. - 32) x.444 = degrees Reamur.

COMMON CONVERSION FACTORS USEFUL IN MECHANICAL POWER TRANSMISSION

Symbols and Abbreviations Used in Conversion Factors

Symbols and abbreviations found in this section are those currently used in many texts and product publications. Considerable effort is underway to standardize on abbreviations for metric and English units of measurement. Recently, ASTM (American Society for Testing and Materials) and IEEE (Institute of Electrical and Electronic Engineers) published a standard practice on the metric system. † This publication consolidates a great deal of the current thinking and provides a system of abbreviations and symbols that differ somewhat from those used here.

This Handbook has retained use of familiar abbreviations consistent with existing product and trade literature rather than the abbreviations found in current publications of technical and scientific societies.

Prefixes Used in the Metric System

Common prefixes and symbols used in the metric system are listed below. An example of use is 1000 meters is equivalent to 1 kilometer, and 1/1000 of one meter is equivalent to 1 millimeter.

| Prefix | Symbol | Multiplication Factor-Decimal and Power of 10 |
|---------|--------|--|
| giga | G | 1,000,000,000 or 10 ⁹ or one billion |
| mega | M | 1,000,000 or 10 ⁶ or one million |
| kilo | k | 1,000 or 10 ³ or one thousand |
| *hecto | h | 100 or 10 ² or one hundred |
| *deka | da | 10 or 10 ¹ or ten |
| **deci | d | 0.1 or 10 ⁻¹ or one tenth |
| **centi | c | 0.01 or 10 ⁻² or one hundredth |
| mill | m | 0.001 or 10 ⁻³ or one thousandth |
| micro | μ | 0.000,001 or 10 ⁻⁶ or one millionth |
| nano | n | 0.000,000,001 or 10 ⁻⁹ or one billionth |

- * Not commonly used.
- ** Not commonly used except for special situations.
The centimeter as a unit of length is in common use.
The decibel is a unit in both electrical and acoustical work.

† ASTM/IEEE Standard Metric Practice, ASTM E 380-75, IEEE Std. 268-1976.

“Reprinted with Permission of the Power Transmission Distributors Association”

ENGINEERING/TECHNICAL



| Symbol or Abbreviation | Term |
|-------------------------|-------------------------------|
| atm | atmosphere |
| avdp | avoirdupois |
| bbl | barrels |
| bu | bushels |
| C | degrees Centigrade or Celsius |
| cc | cubic centimeters |
| cfm | cubic feet per minute |
| cfs | cubic feet per second |
| cm | centimeter |
| cu | cubic |
| deg | degrees |
| F | degrees Fahrenheit |
| fps | feet per second |
| ft | feet |
| ft-lb | foot-pounds (work or energy) |
| ft per sec | feet per second (alternate) |
| ft per sec ² | feet per second per second |
| g | acceleration due to gravity |
| g | grams |
| gal | gallons |
| gpm | gallons per minute |
| hp | horsepower |
| hr | hour |
| in | inches |
| in-lb | inch-pounds (work or energy) |
| K | degrees Kelvin |
| kg | kilograms |
| km | kilometers |
| kn | knots |
| kW | kilowatts |

| Symbol or Abbreviation | Term |
|------------------------|---|
| l | liters |
| lb | pounds |
| lb-ft | pound-feet (torque) |
| m | meters |
| m per sec ² | meters per second per second |
| mi | miles |
| mm | millimeters |
| mph | miles per hour |
| MGD | millions of gallons per day |
| N | Newtons |
| oz | ounces |
| oz-in | ounce-inches (torque) |
| Pa | Pascals |
| psi | pounds per square inch |
| psia or psig | pounds per square inch "absolute" or gauge |
| pt | pint |
| qt | quart |
| R | degrees Rankine (Fahrenheit, absolute) |
| rad | radians |
| rev | revolutions |
| rpm | revolutions per minute |
| sec | seconds |
| sq | square |
| std | standard |
| temp | temperature |
| wt | weight |
| yd | yard |
| yr | year |

Rounding of Numbers

A minimum of four significant figures are used in conversion factors presented here. Where the conversion factor is exact (for example, 1 foot contains 12 inches), decimal fractions are not necessary. Also, where large whole numbers are used (for example, 1 square kilometer contains 1195990 square yards), decimal fractions are not used unless justified by the accuracy of ordinary computations.

| | |
|---------|--------------------------|
| 1195990 | (sq yd in a sq km) |
| 4389.12 | (cc in a cu ft) |
| 448.86 | (gpm in a liter per sec) |
| 14.70 | (psi in an atmosphere) |
| 0.4331 | (psi in a ft of water) |
| 0.0625 | (lb-in in an oz-in) |

VELOCITY

| | | |
|---|---|--------|
| centimeters per second (cm per sec) | feet per second (fps or ft per sec) | 0.3281 |
| feet per second (fps) | centimeters per second (cm per sec) | 30.48 |
| | meters per second (m per sec) | 0.3048 |
| | kilometers per hour (km per hr) | 1.097 |
| | miles per hour (mph) | 0.6818 |
| kilometers per hour (km per hr) | knots (kn) | 0.5396 |
| | feet per second (fps) | 1.467 |
| | kilometers per hour (km per hr) | 1.609 |
| | feet per minute (ft per min.) | 88 |
| knots (kn) | miles per hour (mph) | 1.152 |
| | kilometers per hour (km per hr) | 1.853 |
| radians per second (rad per sec) | revolutions per minute (rpm) | 9.55 |
| | degrees per minute (deg per min.) | 3437.7 |
| revolutions per minute (rpm) | radians per second (rad per sec) | 0.1047 |
| | degrees per minute (deg per min.) | 360 |

ACCELERATION COLUMN A

To Convert From...

feet per second per second (ft per sec²)
 m per sec²
 revolutions per minute per second (rpm per sec)
 rad per sec²

To...

meters per second per second (m per sec²) 0.3048
 ft per sec² 3.281
 radians per second per second (rad per sec²) 0.1047
 rpm per sec 9.55

**Multiply
Col. A by**

ENGINEERING/TECHNICAL**VOLUMETRIC FLOW RATES**

| | | |
|--|------------------------------------|----------|
| gallons per minute, US (gpm) | liters per second (l per sec) | 0.008434 |
| | cubic feet per minute (cfm) | 0.1337 |
| | cubic feet per hour (cu ft per hr) | 8.022 |
| gallons per minute, UK or Canadian (gpm) | liters per second (l per sec) | 0.0101 |
| | cubic feet per minute (cfm) | 0.1606 |
| | cubic feet per hour (cu ft per hr) | 9.634 |
| cubic feet per second (cfs) | gpm (UK or Canadian) | 373.77 |
| | gpm (US) | 448.86 |
| | liters per second (l per sec) | 1699.2 |
| liters per second (l per sec) | cubic feet per minute (cfm) | 2.119 |
| | gpm (UK or Canadian) | 13.20 |
| | gpm (US) | 15.85 |
| millions of gallons per day, US (MGD) | liters per second (l per sec) | 43.81 |
| | cubic feet per minute (cfm) | 92.85 |
| | gallons per minute, US (gpm) | 694.44 |

PRESSURE

| | | |
|---|--|-----------|
| pascals (Pa) | pounds per square inch (psi) | 0.0001450 |
| | pounds per square foot (lb per ft ²) | 0.02089 |
| | newtons per square meter | 1 |
| pounds per square inch (psi) | atmospheres, std. (atm) | 0.0680 |
| | pounds per square foot (lb per ft ²) | 144 |
| | pascals (Pa) | 6894.8 |
| atmospheres (atm), standard | foot of water (ft of H ₂ O) 60F | 2.301 |
| | psi | 14.70 |
| | lb per ft ² | 2116.8 |
| inch of water, 60F (in of H ₂ O) | Pa | 101325 |
| | psi | 0.03609 |
| | lb per ft ² | 5.197 |
| foot of water, 60F (ft of H ₂ O) | Pa | 248.84 |
| | psi | 0.4331 |
| | lb per ft ² | 62.36 |
| | Pa | 2985.9 |

WEIGHT, MASS, INERTIA

| | | |
|----------------|----------------|--------|
| pounds (lb)* | kilograms (kg) | 0.4536 |
| | ounces (oz) | 16 |
| kilograms (kg) | pounds (lb) | 2.205 |
| | ounces (oz) | 35.27 |

WEIGHT, MASS, INERTIA, continued COLUMN A

| Convert From | To | Multiply Col A By This Factor |
|---|---|----------------------------------|
| tons (short) | metric tons | 0.9072 |
| | kilograms (kg) | 907.2 |
| | pounds (lb) | 2000 |
| metric tons | tons (short) | 1.102 |
| | kilograms | 1000 |
| | pounds | 2205 |
| pounds, weight (lb) | slugs, mass (lb-sec ² per ft) | 0.03106 |
| pound-foot ² (lb-ft ²) | kilogram-meters ² (kg-m ²) | 0.04214 |
| *pounds and ounces are avoirdupois | | |

FORCE AND TORQUE

| | | |
|----------------------------|----------------------------|----------|
| pounds (lb) | newtons(N) | 4.448 |
| newtons (N) | pounds (lb) | 0.2248 |
| newton-meters (N-m) | pound-feet (lb-ft) | 0.7376 |
| | pound-inches (lb-in) | 8.851 |
| | ounce-inches (oz-in) | 141.60 |
| ounce-inches (oz-in) | lb-ft | 0.005208 |
| | N-m | 0.007062 |
| | lb-in | 0.0625 |
| pound-inches (lb-in) | lb-ft | 0.0833 |
| | N-m | 0.1298 |
| | oz-in | 16 |
| pound-feet (lb-ft) | N-m | 1.356 |
| | lb-in | 12 |
| | oz-in | 192 |

POWER

| | | |
|-----------------------|---|--------|
| horsepower (hp) | kilowatts (kW) | 0.7457 |
| | foot-pounds per second (ft-lb per sec) | 550 |
| | foot-pounds per minute (ft-lb per min.) | 33000 |
| kilowatts (kW) | horsepower (hp) | 1.341 |

TEMPERATURE

| | | Use This Relationship |
|------------------------------|------------------------------|--------------------------|
| degrees Fahrenheit (F) | degrees Celsius (C) | $C = 5/9 (F-32)$ |
| degrees Celsius (C) | degrees Fahrenheit (F) | $F = 9/5C + 32$ |
| degrees Fahrenheit (F) | degrees Rankine (R) | $R = F + 459.69$ |
| degrees Celsius (C) | degrees Kelvin (K) | $K = C + 273.16$ |

Examples:

1. Convert 12F to C. $C = 5/9 (F-32) = 5/9 (12-32) = 5/9 (-20)$
Answer = -11.1C
2. Convert 40C to F. $F = 9/5C + 32 = 9/5 (40) + 32 = 72 + 32$
Answer = 104F

GRAVITATIONAL CONSTANT

g = 32.174 feet per second per second (ft per sec²)
 = 9.8067 meters per second per second (m per sec²)

APPROXIMATE DENSITIES OF COMMON MATERIALS**REPRESENTATIVE DENSITIES**

Grams per cc

lb per cu ft

GASES @ 68F, std atm

| | | |
|---------------------|----------------------|----------|
| Air | 1.30 grams per liter | 0.07528 |
| Oxygen | 1.45 grams per liter | 0.08305 |
| Hydrogen | 0.09 grams per liter | 0.005234 |
| Nitrogen | 1.25 grams per liter | 0.07274 |
| All Other Materials | | |
| grams per cc | | |

LIQUIDS

| | | |
|--------------------|--------------------|-------|
| Water @ 4C | 1.000 grams per cc | 62.43 |
| 20C | 0.998 | 62.32 |
| 40C | 0.992 | 61.94 |
| SeaWater | 1.02-1.03 | 64.00 |
| Ethyl alcohol 100% | 0.789 | 49.2 |
| Kerosene | 0.78-0.82 | 50 |
| Gasoline | 0.70-0.75 | 45 |

METALS

| | | |
|-------------------------|-------|------|
| Aluminum (95% Al) | 2.70 | 169 |
| Bronze (90% Cu, 10% Zn) | 8.80 | 549 |
| Copper (Annealed, ACS) | 8.89 | 555 |
| Gold | 19.32 | 1206 |
| Iron, gray cast | 7.10 | 443 |
| Lead | 11.36 | 709 |
| Magnesium | 1.74 | 109 |
| Steel (0.4-0.5% Carbon) | 7.80 | 487 |
| Steel, 410 stainless | 7.70 | 480 |

ENGINEERING PLASTICS

| | | |
|---|-------------|----|
| ABS, general purpose | 1.01-1.05 | 64 |
| Acrylics, cast sheet | 1.19 | 74 |
| Nylon 6/6 | 1.13-1.15 | 71 |
| Phenolic, general purpose | 1.35-1.46 | 87 |
| Polycarbonates, general purpose | 1.2 | 75 |
| Polyesters, thermoplastic, unreinforced | 1.31 - 1.43 | 86 |
| Polyethylene, medium density | 0.926-0.940 | 58 |
| Polyvinyl Chloride | 1.30-1.58 | 89 |

APPROXIMATE DENSITIES OF COMMON MATERIALS

| | REPRESENTATIVE DENSITIES | |
|--------------------------------------|--------------------------|--------------|
| | Grams per cc | lb per cu ft |
| OTHER MATERIALS | | |
| Concrete (stone and sand) | 2.2-2.4 | 144 |
| Limestone | 1.5 | 94 |
| Anthracite coal, not piled | 1.4-1.8 | 100 |
| Bituminous coal, not piled | 1.2-1.5 | 83 |
| Lignite coal, not piled | 1.1-1.4 | 78 |
| Wood, air dried: | | |
| Douglas fir | 0.48-0.55 | 32 |
| White oak | 0.77 | 48 |
| White maple | 0.53 | 33 |
| Oregon pine | 0.51 | 32 |
| Hickory | 0.74-0.80 | 48 |
| Mahogany | 0.56-0.85 | 44 |
| African teak | 0.99 | 62 |
| Indian teak | 0.66-0.88 | 48 |

Formulas and Constants

1 HP = 33,000 Foot-pounds of work per minute.

1 HP = .746 K.W. = K.W.P 1.341.

1 HP = 2547 B.T.U. per hour.

1 B.T.U. = Heat required to raise 1 lb. water 1-F.

1 B.T.U. = 777.6 Foot-pounds work.

1 Kilowatt Hour = 3415 B.T.U.

Heat Value of Carbon = 14,600 B.T.U. per pound.

Latent Heat of Fusion of Ice = 143.15 B.T.U. per pound.

Latent Heat of Evaporation of Water at 212° F. =
970.4 B.T.U. per pound.

Total Heat of Saturated Steam at atmospheric pressure =
1,150.4 B.T.U. per pound.

1 Ton of Refrigeration = 288,000 B.T.U. per 24 hours.

g = Acceleration of Gravity (commonly taken as 32.16
feet per second per second).

1 Radian = 57.296 degrees.

1 Meter = 100 cm. = 39.37 inches.

1 Kilometer = .62137 miles.

1 Gallon = 231 cubic inches.

1 Barrel = 31.5 gallons.

Atmospheric Pressure = 14.7 pounds per sq. in. = 29.92
inches mercury at 32° F.

1 Lb. per Sq. In. Pressure = 2.3095 feet fresh water at
62° F. = 2.0355 inches mercury at 32° F. = 2.0416
inches mercury at 62° F.

Water Pressure (pounds per sq. in.) = .433 X height of water in feet
(Fresh water at 62°F).

Weight of 1 cu. ft. fresh Water = 62.355 lbs. at 62°F. =
59.76 lbs. at 212° F.

Weight of 1 cu. ft. Air at 14.7 lbs. per sq. in. Pressure =
.07608 lbs. at 62° F. = .08073 lbs. at 32° F.

† Also look in the General Index under Weights, Measures, or the
subject material required.

Flywheel Formulas

Flywheels are used on some machines, for example air compressors, to even out load pulsations. The following formulas are useful in designing entire flywheels and flywheel rims. A V-belt sheave may also be used as a flywheel eliminating the need for a separate flywheel in the system.

Formulas for Entire Flywheel

Kinetic energy of rotation of a flywheel (foot pounds)
 $= .0001705 N_2^2(WR^2)^*$.

Torque to uniformly accelerate or decelerate a flywheel

$$= \frac{.03908 (N_2 - N_1) (WR^2), * \text{ pound-inches}}{t}$$

where N_2 = final R.P.M. and N_1 = initial R.P.M.

Velocity at outside diameter (feet per minute) = 0.2618 ND.

W = weight (pounds).

R = radius of gyration (feet).

N = speed (R.P.M.)

t = time to change from N_1 to N_2 (seconds).

F = face of rim (inches).

D = outside diameter of rim (inches).

d = inside diameter of rim (inches).

K = weight per cubic inch of material (pounds).

* WR^2 = flywheel effect (pounds X feet²). See table to the right for WR^2 of rims. Ordinarily the WR^2 of the rim only is considered. In unusual instances the relatively small WR^2 values of the hub and arms or web can be added directly to the WR^2 of the rim if desired. To find

the WR^2 of a hub or web use the WR^2 formula for rims, substituting the hub or web outside diameter, inside diameter, and width for D, d and F respectively. When arms are used instead of a web an approximate WR^2 value of the arms is the total weight of the arms in pounds times the square of the radius in feet from the shaft center line to the mid point of the arms between hub and rim.

Table 30: Formulas for Flywheel Rims

| Property | Cast Iron Rim (Based on .26 lbs. per cu. in.) | Steel Rim (Based on .283 lbs. per cu. in.) | Rim of any material weighing K pounds per cubic inch |
|--|---|---|--|
| Volume (Cubic Inches) | .7854F(D ² -d ²) | .7854F(D ² -d ²) | .7854F(D ² -d ²) |
| W Weight (Pounds) | .2042F(D ² -d ²) | .2223F(D ² -d ²) | .7854FK(D ² -d ²) |
| R Radius of Gyration (Feet) | $\sqrt{\frac{.8681 (D^2-d^2)}{1000}}$ | $\sqrt{\frac{0.8681 (D^2-d^2)}{1000}}$ | $\sqrt{\frac{.8681 (D^2-d^2)}{1000}}$ |
| WR^2 Wt X Sq. of Radius of Gyration (Lbs. X Ft. ²) | $\frac{.1773F(D^4-d^4)}{1000}$ | $\frac{.1929F(D^4-d^4)}{1000}$ | $\frac{.6818FK(D^4-d^4)}{1000}$ |
| T ▲ Tensile Load in rim (Lbs.) | $\frac{.3078FN2(D^3-d^3)}{1000000}$ | $\frac{.3350FN2(D^3-d^3)}{1000000}$ | $\frac{1,184FKN2(D^3-d^3)}{1000000}$ |

▲ Centrifugal force causes this tensile load at each and every section of the rim. Hence, on rims split into two or more sections the fastening at each joint should be designed to take the full load as calculated from the formula here given.

Centrifugal Force

R = Distance from the axis of rotation to the center of gravity of the body (feet).

N = Revolutions per minute.

v = Velocity of the center of gravity of the body (feet per second).

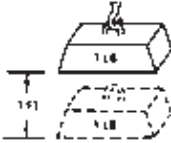
g = Acceleration due to gravity (32.16 commonly).

$$F = \frac{Wv^2}{gR} = \frac{WRN^2}{2933} = .000341 WRN^2$$

F = Centrifugal force tending to move the body outward from the axis of rotation (pounds).

W = Weight of body (pounds).

Torque and Horsepower Equivalent



A foot-pound is the amount of energy expended in lifting a one-pound mass a distance of one foot against the pull of gravity

FOOT-POUNDS INDICATE ENERGY

$$\begin{aligned} \text{Torque (in Pound-Inches)} &= \frac{63025 \times \text{HP}}{\text{RPM}} \\ &= \text{Force} \times \text{Lever Arm (In Inches)} \\ \text{Torque (in Pound-Feet)} &= \frac{5252 \times \text{HP}}{\text{RPM}} \\ &= \text{Force} \times \text{Lever Arm (In Feet)} \end{aligned}$$

Force = Working Load in Pounds.
 FPM = Feet Per Minute.
 RPM = Revolutions Per Minute.
 Lever Arm = Distance from the Force to the center of rotation in Inches or Feet.

| HORSEPOWER |
|---|
| Common Unit of Mechanical power - (HP) |
| One HP is the rate of work required to raise 33,000 pounds one foot in one minute |

An overhung load is a bending force imposed on a shaft due to the torque transmitted by V-drives, chain drives and other power transmission devices, other than flexible couplings.

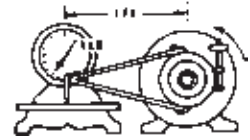
Most motor and reducer manufacturers list the maximum values allowable for overhung loads. It is desirable that these figures be compared with the load actually imposed by the connected drive.

Overhung loads may be calculated as follows:

$$\text{O.H.L.} = \frac{63,000 \times \text{HP} \times \text{F}}{\text{N} \times \text{R}}$$

Where HP = Transmitted hp X service factor
 N = RPM of shaft
 R = Radius of sprocket, pulley, etc. (inches)
 F = Factor (See chart to right)

| TORQUE |
|---|
| It is: a turning moment or twisting effort. Is it expressed in foot-pounds? or pound-feet? |
| |



A pound-foot is the moment created by a force of one pound applied to the end of a lever arm one

POUND-FEET INDICATE TORQUE

Example:

$$\begin{aligned} 25 \text{ HP at } 150 \text{ RPM} &= 10504 \text{ Pound-Inches Torque} \\ 2.5 \text{ HP at } 150 \text{ RPM} &= 1050.4 \text{ Pound-Inches Torque} \end{aligned}$$

For other values of RPM move decimal point in RPM values to the left or right as desired, and in Torque values move to the right or left (opposite way) the same number of places.

Example:

$$\begin{aligned} 25 \text{ HP at } 150 \text{ RPM} &= 10504 \text{ Pound-Inches Torque} \\ 25 \text{ HP at } 1.50 \text{ RPM} &= 1050400 \text{ Pound-Inches Torque} \\ 2.5 \text{ HP at } 1.50 \text{ RPM} &= 105040 \text{ Pound-Inches Torque} \end{aligned}$$

$\text{HP} = \frac{\text{Force} \times \text{FPM}}{33,000}$
 $\text{HP} = \frac{\text{Torque (in Pounds-Inches)} \times \text{RPM}}{63,025}$
 $\text{HP} = \frac{\text{Torque (in Pounds-Feet)} \times \text{RPM}}{5,252}$

Overhung Loads

Weights of the drive components are usually negligible. The formula is based on the assumption that the load is applied at a point equal to one shaft diameter from the bearing face. Factor F depends on the type of drive used:

$$F = \begin{cases} 1.00 & \text{for single chain drives.} \\ 1.3 & \text{for TIMING Belt Drives and HTD belt Drives.} \\ 1.25 & \text{for spur or helical gear or double chain drives.} \\ 1.50 & \text{for V-belt drives.} \\ 2.50 & \text{for flat belt drives.} \end{cases}$$

Example: Find the overhung load imposed on a reducer by a double chain drive transmitting 7 hp @ 30 RPM. The pitch diameter of the sprocket is 10"; service factor is 1.3.

Solution:

$$\text{O.H.L.} = \frac{(63,000) (7 \times 1.3) (1.25)}{(30) (5)} = 4,780 \text{ lbs.}$$

Mathematical Equations

- To find circumference of a circle, multiply diameter by 3.1416.
- To find diameter of a circle, multiply circumference by .31831.
- To find area of a circle, multiply square of diameter by .7854.
- To find area of a rectangle, multiply length by breadth.
- To find area of a triangle, multiply base by 1/2 perpendicular height.
- To find area of ellipse, multiply product of both diameters by .7854.
- To find area of parallelogram, multiply base by altitude.
- To find side of an inscribed square, multiply diameter by 0.7071 or multiply circumference by 0.2251 or divide circumference by 4.4428.

- To find side of inscribed cube, multiply radius of sphere by 1.1547.
- To find side of an equal square, multiply diameter by .8862.
- To find the surface of a sphere, square the diameter and multiply by 3.1416.
- To find the volume of a sphere, cube the diameter and multiply by .5236.
- A side of a square multiplied by 1.4142 equals diameter of its circumscribing circle.
- A side of a square multiplied by 4.443 equals circumference of its circumscribing circle.

ENGINEERING/TECHNICAL


Table 31: Strength and Physical Properties of Various Metals

| Metals and Alloys | Stress in Thousands of Pounds per Sq. Inch | | | | Modulus of Elasticity Millions | Elongation% |
|---|--|---------------------|----------------------|----------------|--------------------------------|-------------|
| | Tension Ultimate | Tension Yield Point | Compression Ultimate | Shear Ultimate | | |
| Aluminum, Type 1100-0, Annealed | 13 | 5 | | 9 | 10 | 45 |
| Aluminum, Type 1100-H18, Hard | 24 | 22 | | 13 | 10 | 15 |
| Aluminum, Type 3003-0, Annealed | 16 | 6 | | 11 | 10 | 40 |
| Aluminum, Type 3003-H18, Hard | 29 | 27 | | 16 | 10 | 10 |
| Aluminum, Type 5052-0, Annealed | 28 | 13 | | 18 | 10.20 | 30 |
| Aluminum, Type 5052-H38, Hard | 42 | 37 | | 24 | 10.20 | 8 |
| Aluminum, Type 5056-0, Annealed | 42 | 22 | | 26 | 10.30 | 35 |
| Aluminum, Type 2014-0, Annealed | 27 | 14 | | 18 | 10.60 | 18 |
| Aluminum, Type 2014-T4, Heat Treated | 62 | 42 | | 38 | 10.60 | 20 |
| Aluminum, Type C4A, Casting, Solution Heat Treat | 32 | 16 | 16▲ | 24 | | 8.50 |
| Aluminum, Type S5C, As Die Cast | 30 | 16 | 16▲ | 19 | | 9 |
| Brass, Admiralty, Annealed | 53 | 22 | | | 16 | 65 |
| Brass, Aluminum, Annealed | 60 | 27 | | | 16 | 55 |
| Brass, Cartridge, 30% Zn, Annealed | 44 | 11 | | 32 | 16 | 66 |
| Brass, Cartridge, 30% Zn, Hard | 76 | 63 | | 44 | 16 | 8 |
| Brass, Naval, Annealed | 57† | 25† | | 40 † | 15 | 47† |
| Brass, Naval, Leaded, Annealed | 57† | 25† | | 36 † | 15 | 40† |
| Brass, Red, 15% Zn, Annealed | 39 | 10 | | 31 | 17 | 48 |
| Brass, Red, 15% Zn, Hard | 70 | 57 | | 42 | 17 | 5 |
| Brass, Red, Leaded, Cast, Grade 4A | 33-46 | 17-24 | 10-12▲ | | 9.1-14.8 | 20-35 |
| Brass, Red, Leaded, Cast, Grade 4B | 30-38 | 12-17 | 11-12▲ | | | 15-27 |
| Brass, Semi-Red, Leaded, Cast, Grade 5A | 29-39 | 13-17 | | | 7.7-14.3 | 18-30 |
| Brass, Semi-Red, Leaded, Cast, Grade 5B | 30-40 | 12-16 | 8-10▲ | | 10-14 | 20-35 |
| Brass, Yellow, 35% Zn, Annealed | 46 | 14 | | 32 | 15 | 65 |
| Brass, Yellow, 35% Zn, Hard | 74 | 60 | | 43 | 15 | 8 |
| Bronze, Aluminum, As Cast | 67-95 | 27-45 | | | 15-18 | 5-35 |
| Bronze, Commercial, 10% Zn, Annealed | 37† | 10† | | 28 † | 17 | 45= |
| Bronze, Manganese, Annealed | 65† | 30† | | 42 v | 15 | 33= |
| Bronze, Phosphor, Annealed | 40-66 | 14-24 | | | 16-17 | 48-70 |
| Bronze, Tin, High Leaded, Cast | 23-38 | 11-22 | 12-16▲ | | 8.5-13 | 7-20 |
| Bronze, Tin, Leaded, Cast | 33-48 | 16-26 | 9-15▲ | | 10.6-16 | 15-40 |
| Copper, Beryllium, Annealed | 60-80 | 25-35v | | 50-60 † | 19 | 35-50† |
| Copper, Electrolytic, Tough Pitch, Annealed | 32† | 10† | | 22 † | 17 | 45† |
| Inconel, Cast | 65-90 | | | | 23 | 10-20 |
| Inconel, S, Cast | 90-120 | 80-100 | | | 25 | 1-3 |
| Inconel, Shapes, Plate, Etc., Annealed | 80-100† | 30-45† | | | 31 | 35-55† |
| Inconel, X, Shapes, Plate, Etc., Annealed | 110-130† | 45-65† | | | 31 | 40-55† |
| Iron, Cast, Class 30 | 30-34 | | 115 | 44 | 15 | |
| Iron, Cast, Class 35 | 35-40 | | 125 | 43 | 16 | |
| Iron, Ingot, Hot Rolled | 44 | 23 | | | 29.80 | 47 |
| Iron, Malleable, Class 32510 | 50 | 33 | 90 | 46 | 25 | 10-18 |
| Iron, Malleable, Class 35018 | 55 | 37 | 90 | 51 | 25 | 18-25 |
| Iron, Nodular (Ductile) Class 60-45-10 | 60 | 45 | 120 | | 22-25 | 10-25 |
| Iron, Nodular (Ductile) Class 80-60-3 | 80 | 60 | 160 | | 22-25 | 3-10 |
| Iron, Pearlitic, Malleable | 60-90 | 40-70 | | | 28 | 3-12 |
| Iron, Wrought, Hot Rolled | 34-47 | 23-24 | | | 29 | 7-35 |
| Lead, Hard, Rolled | 4.0-4.6 | | | | | 31-48 |
| Magnesium Alloy, Extruded, ASTM M1A | 26-28 | 23-28 | 10-13 | 16 | 6.50 | 8-11 |
| Magnesium Alloy, Extruded, ASTM AZ61A-F | 40-45 | 22-32 | 15-21 | 21 | 6.50 | 15-16 |
| Magnesium Alloy, Cast, ASTM M1B | 14 | 4.50 | | 11 | 6.50 | 5 |
| Magnesium Alloy, Cast, ASTM AZ92A | 24 | 14 | | 19 | 6.50 | 2 |
| Magnesium Alloy, Cast, ASTM AZ91A | 36 | 23 | | 20 | 6.50 | 4 |
| Monel, Cast | 65-90 | 32-45 | | | 23 | 20-50 |
| Monel, S, Cast | 120-145 | 80-130 | | | 24.20 | 1-4 |
| Monel, Shapes, Plate, Etc., Annealed | 70-85† | 25-45† | | | 26 | 35-50† |
| Monel, K, Shapes, Plate, Etc., Annealed | 90-105† | 40-65† | | 26 | 25-45 | 35-55† |
| Muntz Metal, Cu 59.63%, Zn balance | 54 | 21 | | 40 | 15 | 45 |
| Nickel, Cast | 50-65 | 15-30 | | | 21.50 | 15-30 |
| Nickel, Silver, Annealed | 49-63† | 18-30† | | | 17-18 | 35-60† |
| Steel, Cast Carbon, Class 70,000 Normalized | 70 | 38 | | | 30 | 28 |
| Steel, Cast Low Alloy, Class 100,000, Normalized and Tempered | 100 | 68 | | | 29-30 | 20 |
| Steel, Cast Low Alloy, Class 120,000, Quenched and Tempered | 120 | 95 | | | 29-30 | 16 |
| Steel, Cast Low Alloy, Class 200,000, Quenched and Tempered | 200 | 170 | | | 29-30 | 5 |
| Steel, Sheets | 48 | 25 | | | 29-30 | 18-27 |
| Steel, Stainless, Austenitic, Types 304, 316 | 85 | 35 | | | 28 | 55-60 |
| Steel, Stainless, Martensitic, Type 416 | 75 | 40 | | | 29 | 30 |
| Steel, Structural, Bridge and Building, ASTM A7 | 60-72 | 33 | 33▲ | 45-54 | 29-30 | 21 |
| Steel, Structural, High Strength, Low Alloy, ASTM A242 | 63-70 | 42-50 | 42-50▲ | 47-53 | 29-30 | 18-24 |
| Zinc, Die Cast Alloy XXIII | 41 | | 60▲ | 31 | | 10 |

† When hardened, strength values are higher, elongation less

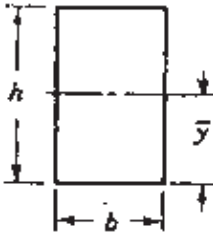
▲ Compression yield point

Table 32: Properties of Sections

A = area
 I = moment of inertia
 J = polar moment of inertia

Z = section modulus π
 k = radius of gyration
 \bar{y} = centroidal distance

Rectangle



$$A = bh$$

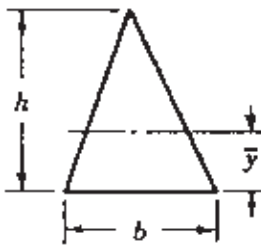
$$k = 0.289h$$

$$I = \frac{bh^3}{12}$$

$$\bar{y} = \frac{h}{2}$$

$$Z = \frac{bh^2}{6}$$

Triangle



$$A = \frac{bh}{2}$$

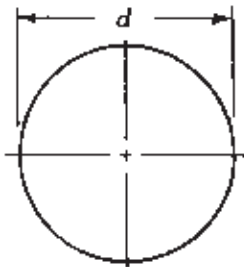
$$k = 0.236h$$

$$I = \frac{bh^3}{36}$$

$$\bar{y} = \frac{h}{3}$$

$$Z = \frac{bh^2}{24}$$

Circle



$$A = \frac{\pi d^2}{4}$$

$$J = \frac{\pi d^4}{32}$$

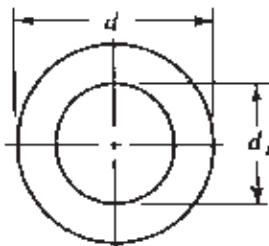
$$I = \frac{\pi d^4}{64}$$

$$k = \frac{d}{4}$$

$$Z = \frac{\pi d^3}{32}$$

$$\bar{y} = \frac{d}{2}$$

Hollow Circle



$$A = \frac{\pi d}{4} (d^2 - d_i^2)$$

$$J = \frac{\pi}{32} (d^4 - d_i^4)$$

$$I = \frac{\pi}{64} (d^4 - d_i^4)$$

$$k = \sqrt{\frac{d^2 - d_i^2}{16}}$$

$$Z = \frac{\pi}{32d} (d^4 - d_i^4)$$

$$\bar{y} = \frac{d}{2}$$

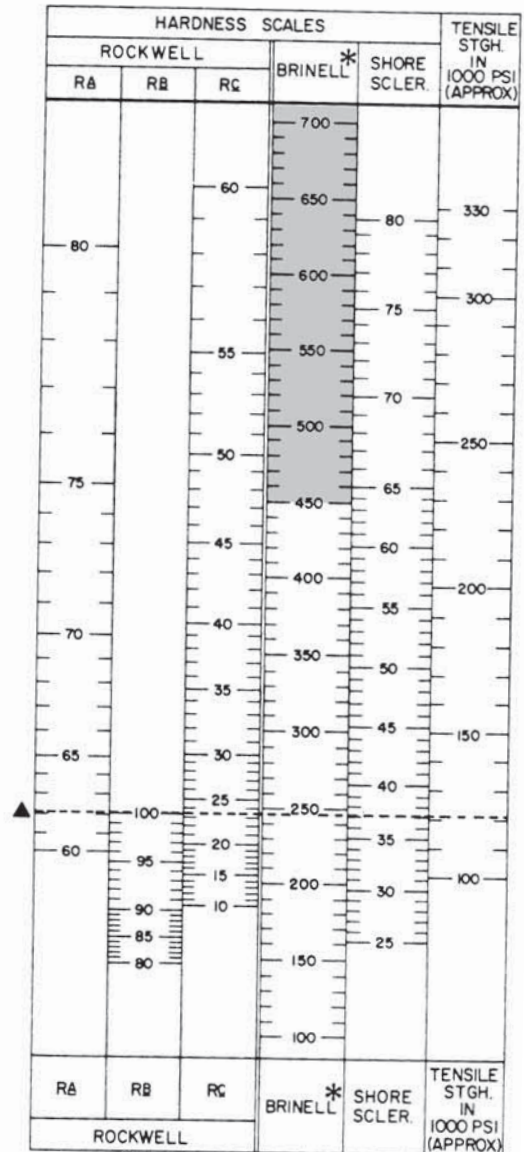
Table 33: Coefficients of Friction "f"

| Material | Static | | Sliding | |
|--|-----------|------------|-----------|-------------|
| | Dry | Lubricated | Dry | Lubricated |
| Aluminum on aluminum | 1.35 | | | |
| Canvas belt on rubber lagging | 0.30 | | | |
| Canvas belt, stitched, on steel | | | 0.20 | 0.10 |
| Canvas belt, woven, on steel | | | 0.22 | 0.10 |
| Cast iron on asbestos, fabric brake material | | | 0.35-0.40 | |
| Cast iron on brass | | | 0.30 | |
| Cast iron on bronze | | | 0.22 | 0.07-0.08 |
| Cast iron on cast iron | 1.10 | | 0.15 | 0.06-0.10 |
| Cast iron on copper | 1.05 | | 0.29 | |
| Cast iron on lead | | | 0.43 | |
| Cast iron on leather | 0.60 | | | 0.13-0.36 |
| Cast iron on oak (parallel) | | | 0.30-0.50 | 0.07-0.20 |
| Cast iron on magnesium | | | 0.25 | |
| Cast iron on steel, mild | | 0.18 | 0.23 | 1/0/00 3:11 |
| Cast iron on tin | | | 0.32 | |
| Cast iron on zinc | 0.85 | | 0.21 | |
| Earth on earth | 0.25-1.0 | | | |
| Glass on glass | 0.94 | | 0.40 | |
| Hemp rope on wood | 0.50-0.80 | | 0.40-0.70 | |
| Nickel on nickel | 1.10 | | 0.53 | 0.12 |
| Oak on leather (parallel) | 0.50-0.60 | | 0.30-0.50 | |
| Oak on oak (parallel) | 0.62 | | 0.48 | 0.16 |
| Oak on oak (perpendicular) | 0.54 | | 0.32 | 0.07 |
| Rubber tire on pavement | 0.8-0.9 | 0.6-0.7 * | 0.75-0.85 | 0.5-0.7 * |
| Steel on ice | 0.03 | | 0.01 | |
| Steel, hard, on babbit | 0.42-0.70 | 0.08-0.25 | 0.33-0.35 | 0.05-0.16 |
| Steel, hard, on steel, hard | 0.78 | 0.11-0.23 | 0.42 | 0.03-0.12 |
| Steel, mild, on aluminum | 0.61 | | 0.47 | |
| Steel, mild, on brass | 0.51 | | 0.44 | |
| Steel, mild, on bronze | | | 0.34 | 0.17 |
| Steel, mild, on copper | 0.53 | | 0.36 | 0.18 |
| Steel, mild, on steel, mild | 0.74 | | 0.57 | 0.09-0.19 |
| Stone masonry on concrete | 0.76 | | | |
| Stone masonry on ground | 0.65 | | | |
| Wrought iron on bronze | 0.19 | 0.07-0.08 | 0.18 | |
| Wrought iron on wrought iron | | 0.11 | 0.44 | 0.08-0.10 |

* Wet pavement

Table 34: U.S. Standard Sheet Metal Gages

| Gage No. | Thickness in Decimal Parts of an Inch | Gage No. | Thickness in Decimal Parts of an Inch |
|----------|---------------------------------------|----------|---------------------------------------|
| 1 | .2813 | 20 | .0359 |
| 2 | .2656 | 21 | .0329 |
| 3 | .2391 | 22 | .0299 |
| 4 | .2242 | 23 | .0269 |
| 5 | .2092 | 24 | .0239 |
| 6 | .1943 | 25 | .0209 |
| 7 | .1793 | 26 | .0179 |
| 8 | .1644 | 27 | .0164 |
| 9 | .1495 | 28 | .0149 |
| 10 | .1345 | 29 | .0135 |
| 11 | .1196 | 30 | .0120 |
| 12 | .1046 | 31 | .0109 |
| 13 | .0897 | 32 | .0102 |
| 14 | .0747 | 33 | .0094 |
| 15 | .0673 | 34 | .0086 |
| 16 | .0598 | 35 | .0078 |
| 17 | .0538 | 36 | .0070 |
| 18 | .0478 | 37 | .0066 |
| 19 | .0418 | 38 | .0063 |

Hardness Comparison Chart


* Shaded area indicates values may vary depending on type of ball used.

▲ Example: A Brinell number of 245 is equal to 62 Rockwell "A", 100 Rockwell "B", 23 Rockwell "C", 37 Shore with a tensile of approximately 120,000 psi.

Trigonometric Formula

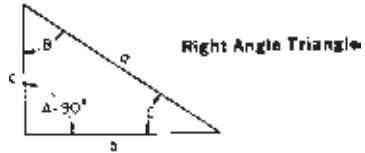
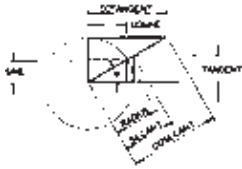


Table 35: Formulas for Finding Functions of Angles

| | | |
|--------------------------------|---|-----------|
| Side opposite Hypotenuse | = | SINE |
| Side adjacent Hypotenuse | = | COSINE |
| Side opposite Side adjacent | = | TANGENT |
| Side adjacent Side opposite | = | COTANGENT |
| Hypotenuse Side adjacent | = | SECANT |
| Hypotenuse Side opposite | = | COSECANT |

Table 36: Formulas for Finding Sides of Right Angle Triangles with an Angle and Side Known

| | | |
|--|---|---------------------------|
| To find: Length of side opposite | } | Hypotenuse x Sine |
| | | Hypotenuse ÷ Coscant |
| | | Side adjacent x Tangent |
| To find: Length of side adjacent | } | Side adjacent ÷ Cotangent |
| | | Hypotenuse X Cosine |
| | | Hypotenuse ÷ Secant |
| To find: Length of Hypotenuse | } | Side opposite X Cotangent |
| | | Side opposite ÷ Tangent |
| | | Side opposite X Cosecant |
| | } | Side opposite ÷ Sine |
| | | Side adjacent X Secant |
| | | Side adjacent ÷ Cosine |

Table 37: To Find Angles and Sides of Right Angle Triangles

| To Find Angles | | | To Find Angles | | |
|----------------|---------------|----------|----------------|----------|---|
| To Find: | Formulas | To Find: | Formulas | To Find: | Formulas |
| C | $\frac{c}{a}$ | = | Sine C | a | $\sqrt{b^2 + c^2}$ --- |
| C | $\frac{b}{a}$ | = | Cosine C | a | $c \times \text{Cosec. C}$ $\frac{c}{\text{Sine C}}$ |
| C | $\frac{c}{b}$ | = | Tan. C | a | $c \times \text{Secant B}$ $\frac{c}{\text{Cosine B}}$ |
| C | $\frac{b}{c}$ | = | Cotan C | a | $b \times \text{Cosec. B}$ $\frac{b}{\text{Sine B}}$ |
| C | $\frac{a}{b}$ | = | Secant C | a | $b \times \text{Secant C}$ $\frac{b}{\text{Cosine C}}$ |
| C | $\frac{a}{c}$ | = | Cosec. C | b | $\sqrt{a^2 - c^2}$ --- |
| B | $\frac{c}{a}$ | = | Sine B | b | $a \times \text{Sine B}$ $\frac{a}{\text{Cosecant B}}$ |
| B | $\frac{c}{a}$ | = | Cosine B | b | $a \times \text{Cos. C}$ $\frac{a}{\text{Secant C}}$ |
| B | $\frac{b}{c}$ | = | Tan. B | b | $c \times \text{Tan. B}$ $\frac{c}{\text{Cotangent B}}$ |
| B | $\frac{c}{d}$ | = | Cotan. B | b | $c \times \text{Cot. C}$ $\frac{c}{\text{Tangent C}}$ |
| B | $\frac{a}{c}$ | = | Secant B | c | $\sqrt{a^2 - b^2}$ --- |
| B | $\frac{a}{b}$ | = | Cosec. B | c | $a \times \text{Cos. B}$ $\frac{a}{\text{Secant B}}$ |
| | | | | c | $a \times \text{Sine C}$ $\frac{a}{\text{Cosecant C}}$ |
| | | | | c | $b \times \text{Cot. B}$ $\frac{b}{\text{Tangent B}}$ |
| | | | | c | $b \times \text{Tan. C}$ $\frac{b}{\text{Cotangent C}}$ |

Table 38: To Find Angles and Sides of Oblique Angle Triangle

Oblique Angle Triangle



| To Find Angles and Sides of Oblique Angle Triangle | | | | | |
|--|---------|---|----------|---------|---|
| To find: | Known | Formulas | To Find: | Known | Formulas |
| C | A, B | $180^\circ - (A + B)$ | A | B, C | $180^\circ - (B + C)$ |
| b | a, B, A | $\frac{a \times \text{Sin. B}}{\text{Sin. A}}$ | Cos. A | a, b, c | $\frac{b^2 + c^2 - a^2}{2bc}$ |
| c | a, A, C | $\frac{a \times \text{Sin. C}}{\text{Sin. A}}$ | Sin. C | c, A, a | $\frac{c \times \text{Sin. A}}{a}$ |
| Tan. A | a, C, b | $\frac{a \times \text{Sin. C}}{b - (a \times \text{Cos. C})}$ | Cot. B | a, C, b | $\frac{a \times \text{Cosec. C}}{b}$ |
| B | A, C | $180^\circ - (A + C)$ | c | b, C, B | $b \times \text{Sin. C} \times \text{Cosec. B}$ |
| Sin. B | b, A, a | $\frac{b \times \text{Sin. A}}{a}$ | --- | --- | ----- |

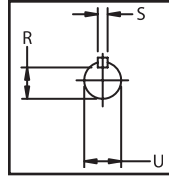
ENGINEERING/TECHNICAL



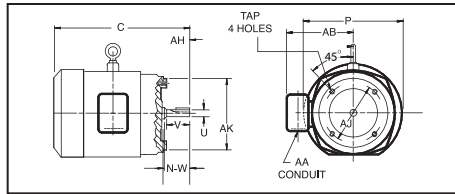
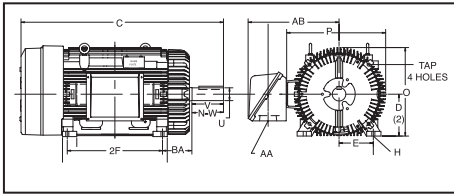
NEMA QUICK REFERENCE CHART

- Dimensions are for reference only
- Drawings represent standard TEFC general purpose motors

Contact your local DODGE/Reliance Sales Office at 1-864-284-5700 for "C" dimensions.



| FRAME | | NEMA SHAFT | KEYSEAT DIMENSIONS | | | FRAME | | NEMA SHAFT | KEYSEAT DIMENSIONS | | |
|-------|------|------------|--------------------|------|------|-------|-------|------------|--------------------|--|--|
| | | U | R | S | | | | R | S | | |
| 48 | 48 | 1/2 | 29/64 | FLAT | 284T | 286T | 1-7/8 | 1-19/32 | 1/2 | | |
| 56 | 56 | 5/8 | 33/64 | 3/16 | 324T | 326T | 2-1/8 | 1-27/32 | 1/2 | | |
| 143T | 145T | 7/8 | 49/64 | 3/16 | 364T | 365T | 2-3/8 | 2-1/64 | 5/8 | | |
| 182T | 184T | 1-1/8 | 63/64 | 1/4 | 404T | 405T | 2-7/8 | 2-29/64 | 3/4 | | |
| 213T | 215T | 1-3/8 | 1-13/64 | 5/16 | 444T | 445T | 3-3/8 | 2-7/8 | 7/8 | | |
| 254T | 256T | 1-5/8 | 1-13/32 | 3/8 | 447T | 449T | 3-3/8 | 2-7/8 | 7/8 | | |

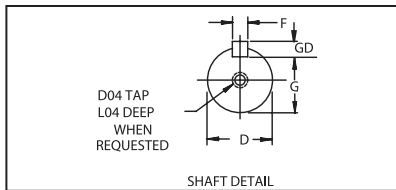
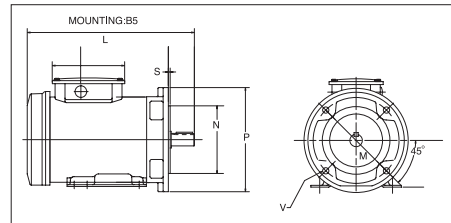
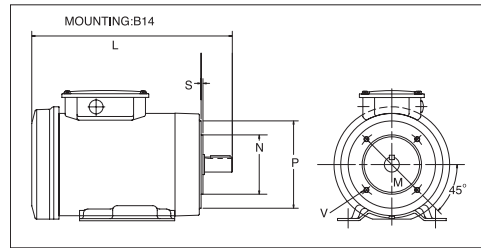
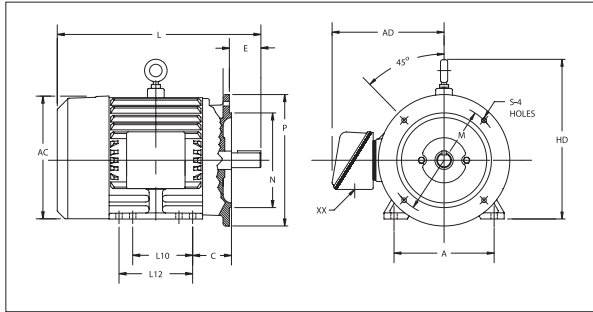


| NEMA C-FACE | BA Dimensions |
|----------------|---------------|
| 143TC - 145TC | 2-3/4 |
| 182TC - 184 TC | 3-1/2 |
| 213TC - 215TC | 4-1/4 |
| 254TC - 256TC | 4-3/4 |

| NEMA Frame | D | E | 2F | H | N-W | O | P | U | Keyway | V | AA | AB | AH | AJ | AK | BA | Tap Size |
|------------|-------|--------|--------|------------|-------|----------|--------|-------|-----------|-------|-------|----------|---------|-------|--------|-------|----------|
| 48 | 3 | 2-1/8 | 2-3/4 | 11/32 SLOT | 1-1/2 | 5-13/16 | 5-5/8 | 1/2 | | 1-1/2 | 1/2 | - | 1-11/16 | 3-3/4 | 3 | 2-1/2 | 1/4-20 |
| 56 | 3-1/2 | 2-7/16 | 3 | 11/32 | 1-7/8 | 8-9/16 | 7-9/32 | 5/8 | 3/16x3/32 | 1-7/8 | 1/2 | - | 2-1/16 | 5-7/8 | 4-1/4 | 2-3/4 | 3/8-16 |
| 56H | 3-1/2 | 2-7/16 | 5 | SLOT | 1-7/8 | 8-9/16 | 7-9/32 | 5/8 | 3/16x3/32 | 1-7/8 | 1/2 | - | 2-1/16 | 5-7/8 | 4-1/2 | 2-3/4 | 3/8-16 |
| 143T | 3-1/2 | 2-7/16 | 4 | 11/32 | 2-1/4 | 8-9/16 | 7-9/32 | 7/8 | 3/16x3/32 | 2-1/4 | 3/4 | - | 2-1/8 | 5-7/8 | 4-1/2 | 2-1/4 | 3/8-16 |
| 145T | 3-1/2 | 2-3/4 | 5 | 11/32 | 2-1/4 | 8-9/16 | 7-9/32 | 7/8 | 3/16x3/32 | 2-1/4 | 3/4 | - | 2-1/8 | 5-7/8 | 4-1/2 | 2-1/4 | 3/8-16 |
| 182 | 4-1/2 | 3-3/4 | 4-1/2 | 13/32 | 2-1/4 | 9-7/8 | 9-1/4 | 7/8 | 3/16x3/32 | 2-1/4 | 3/4 | 8-7/16 | 2-1/8 | 5-7/8 | 4-1/2 | 2-3/4 | 3/8-16 |
| 184 | 4-1/2 | 3-3/4 | 5-1/2 | 13/32 | 2-1/4 | 9-7/8 | 9-1/4 | 7/8 | 3/16x3/32 | 2-1/4 | 3/4 | 8-7/16 | 2-1/8 | 5-7/8 | 4-1/2 | 2-3/4 | 3/8-16 |
| 182T | 4-1/2 | 3-3/4 | 4-1/2 | 13/32 | 2-3/4 | 9-7/8 | 9-1/4 | 1-1/8 | 1/4x1/8 | 2-3/4 | 3/4 | 7-13/16 | 2-5/8 | 7-1/4 | 8-1/2 | 2-3/4 | 1/2-13 |
| 184T | 4-1/2 | 3-3/4 | 5-1/2 | 13/32 | 2-3/4 | 9-7/8 | 9-1/4 | 1-1/8 | 1/4x1/8 | 2-3/4 | 3/4 | 7-13/16 | 2-5/8 | 7-1/4 | 8-1/2 | 2-3/4 | 1/2-13 |
| 213 | 5-1/4 | 4-1/4 | 5-1/2 | 13/32 | 3 | 11-1/4 | 10-1/2 | 1-1/8 | 1/4x1/8 | 3 | 1 | 9-5/16 | 2-3/4 | 7-1/4 | 8-1/2 | 3-1/2 | 1/2-13 |
| 215 | 5-1/4 | 4-1/4 | 7 | 13/32 | 3 | 11-1/4 | 10-1/2 | 1-1/8 | 1/4x1/8 | 3 | 1 | 9-5/16 | 2-3/4 | 7-1/4 | 8-1/2 | 3-1/2 | 1/2-13 |
| 213T | 5-1/4 | 4-1/4 | 5-1/2 | 13/32 | 3-3/8 | 11-1/4 | 10-1/2 | 1-3/8 | 5/16x5/32 | 3-3/8 | 1 | 8-11/16 | 3-1/8 | 7-1/4 | 8-1/2 | 3-1/2 | 1/2-13 |
| 215T | 5-1/4 | 4-1/4 | 7 | 13/32 | 3-3/8 | 11-1/4 | 10-1/2 | 1-3/8 | 5/16x5/32 | 3-3/8 | 1 | 8-11/16 | 3-1/8 | 7-1/4 | 8-1/2 | 3-1/2 | 1/2-13 |
| 254U | 6-1/4 | 5 | 8-1/4 | 17/32 | 3-3/4 | 13-1/4 | 13-1/4 | 1-3/8 | 5/16x5/32 | 3-3/4 | 1-1/4 | 10-13/16 | 3-1/2 | 7-1/4 | 8-1/2 | 4-1/4 | 1/2-13 |
| 256U | 6-1/4 | 5 | 10 | 17/32 | 3-3/4 | 13-1/4 | 13-1/4 | 1-3/8 | 5/16x5/32 | 3-3/4 | 1-1/4 | 10-13/16 | 3-1/2 | 7-1/4 | 8-1/2 | 4-1/4 | 1/2-13 |
| 254T | 6-1/4 | 5 | 8-1/4 | 17/32 | 4 | 13-1/4 | 13-1/4 | 1-5/8 | 3/8x3/16 | 4 | 1-1/4 | 10-3/4 | 3-3/4 | 7-1/4 | 8-1/2 | 4-1/4 | 1/2-13 |
| 256T | 6-1/4 | 5 | 10 | 17/32 | 4 | 13-1/4 | 13-1/4 | 1-5/8 | 3/8x3/16 | 4 | 1-1/4 | 10-3/4 | 3-3/4 | 7-1/4 | 8-1/2 | 4-1/4 | 1/2-13 |
| 284U | 7 | 5-1/2 | 9-1/2 | 17/32 | 4-7/8 | 14-3/4 | 14-7/8 | 1-5/8 | 3/8x3/16 | 4-7/8 | 1-1/2 | 12-5/8 | 4-5/8 | 9 | 10-1/2 | 4-3/4 | 1/2-13 |
| 286U | 7 | 5-1/2 | 11 | 17/32 | 4-7/8 | 14-3/4 | 14-7/8 | 1-5/8 | 3/8x3/16 | 4-7/8 | 1-1/2 | 12-5/8 | 4-5/8 | 9 | 10-1/2 | 4-3/4 | 1/2-13 |
| 284T | 7 | 5-1/2 | 9-1/2 | 17/32 | 4-5/8 | 14-3/4 | 14-7/8 | 1-7/8 | 1/2x1/4 | 4-5/8 | 1-1/2 | 12-3/4 | 4-3/8 | 9 | 10-1/2 | 4-3/4 | 1/2-13 |
| 286T | 7 | 5-1/2 | 11 | 17/32 | 4-5/8 | 14-3/4 | 14-7/8 | 1-7/8 | 1/2x1/4 | 4-5/8 | 1-1/2 | 12-3/4 | 4-3/8 | 9 | 10-1/2 | 4-3/4 | 1/2-13 |
| 284TS | 7 | 5-1/2 | 9-1/2 | 17/32 | 3-1/4 | 14-3/4 | 14-7/8 | 1-5/8 | 3/8x3/16 | 3-1/4 | 1-1/2 | 12-3/4 | 3 | 9 | 10-1/2 | 4-3/4 | 1/2-13 |
| 286TS | 7 | 5-1/2 | 11 | 17/32 | 3-1/4 | 14-3/4 | 14-7/8 | 1-5/8 | 3/8x3/16 | 3-1/4 | 1-1/2 | 12-3/4 | 3 | 9 | 10-1/2 | 4-3/4 | 1/2-13 |
| 324U | 8 | 6-1/4 | 10-1/2 | 21/32 | 5-5/8 | 16-11/16 | 17 | 1-7/8 | 1/2x1/4 | 5-5/8 | 2 | 15-7/16 | 5-3/8 | 11 | 12-1/2 | 5-1/4 | 5/8-11 |
| 326U | 8 | 6-1/4 | 12 | 21/32 | 5-5/8 | 16-11/16 | 17 | 1-7/8 | 1/2x1/4 | 5-5/8 | 2 | 15-7/16 | 5-3/8 | 11 | 12-1/2 | 5-1/4 | 5/8-11 |
| 324T | 8 | 6-1/4 | 10-1/2 | 21/32 | 5-1/4 | 16-11/16 | 17 | 2-1/8 | 1/2x1/4 | 5-1/4 | 2 | 15-3/16 | 5 | 11 | 12-1/2 | 5-1/4 | 5/8-11 |
| 326T | 8 | 6-1/4 | 12 | 21/32 | 5-1/4 | 16-11/16 | 17 | 2-1/8 | 1/2x1/4 | 5-1/4 | 2 | 15-3/16 | 5 | 11 | 12-1/2 | 5-1/4 | 5/8-11 |
| 324TS | 8 | 6-1/4 | 10-1/2 | 21/32 | 3-3/4 | 16-11/16 | 17 | 1-7/8 | 1/2x1/4 | 3-3/4 | 2 | 15-3/16 | 3-1/2 | 11 | 12-1/2 | 5-1/4 | 5/8-11 |
| 326TS | 8 | 6-1/4 | 12 | 21/32 | 3-3/4 | 16-11/16 | 17 | 1-7/8 | 1/2x1/4 | 3-3/4 | 2 | 15-3/16 | 3-1/2 | 11 | 12-1/2 | 5-1/4 | 5/8-11 |
| 364U | 9 | 7 | 11-1/4 | 21/32 | 6-3/8 | 18-1/2 | 19-1/2 | 2-1/8 | 1/2x1/4 | 6-3/8 | 2-1/2 | 18 | 6-1/8 | 11 | 12-1/2 | 5-7/8 | 5/8-11 |
| 365U | 9 | 7 | 12-1/4 | 21/32 | 6-3/8 | 18-1/2 | 19-1/2 | 2-1/8 | 1/2x1/4 | 6-3/8 | 2-1/2 | 18 | 6-1/8 | 11 | 12-1/2 | 5-7/8 | 5/8-11 |
| 364T | 9 | 7 | 11-1/4 | 21/32 | 5-7/8 | 18-1/2 | 19-1/2 | 2-3/8 | 5/8x5/16 | 5-7/8 | 2-1/2 | 18-1/16 | 5-5/8 | 11 | 12-1/2 | 5-7/8 | 5/8-11 |
| 365T | 9 | 7 | 12-1/4 | 21/32 | 5-7/8 | 18-1/2 | 19-1/2 | 2-3/8 | 5/8x5/16 | 5-7/8 | 2-1/2 | 18-1/16 | 5-5/8 | 11 | 12-1/2 | 5-7/8 | 5/8-11 |
| 364TS | 9 | 7 | 11-1/4 | 21/32 | 3-3/4 | 18-1/2 | 19-1/2 | 1-7/8 | 1/2x1/4 | 3-3/4 | 2-1/2 | 18-1/16 | 3-1/2 | 11 | 12-1/2 | 5-7/8 | 5/8-11 |
| 365TS | 9 | 7 | 12-1/4 | 21/32 | 3-3/4 | 18-1/2 | 19-1/2 | 1-7/8 | 1/2x1/4 | 3-3/4 | 2-1/2 | 18-1/16 | 3-1/2 | 11 | 12-1/2 | 5-7/8 | 5/8-11 |
| 404U | 10 | 8 | 12-1/4 | 13/16 | 7-1/8 | 21-5/16 | 22-1/2 | 2-3/8 | 5/8x5/16 | 7-1/8 | 3 | 19-1/4 | 6-7/8 | 11 | 12-1/2 | 6-5/8 | 5/8-11 |
| 405U | 10 | 8 | 13-3/4 | 13/16 | 7-1/8 | 21-5/16 | 22-1/2 | 2-3/8 | 5/8x5/16 | 7-1/8 | 3 | 19-1/4 | 6-7/8 | 11 | 12-1/2 | 6-5/8 | 5/8-11 |
| 404T | 10 | 8 | 12-1/4 | 13/16 | 7-1/4 | 21-5/16 | 22-1/2 | 2-7/8 | 3/4x3/8 | 7-1/4 | 3 | 19-5/16 | 7 | 11 | 12-1/2 | 6-5/8 | 5/8-11 |
| 405T | 10 | 8 | 13-3/4 | 13/16 | 7-1/4 | 21-5/16 | 22-1/2 | 2-7/8 | 3/4x3/8 | 7-1/4 | 3 | 19-5/16 | 7 | 11 | 12-1/2 | 6-5/8 | 5/8-11 |
| 404TS | 10 | 8 | 12-1/4 | 13/16 | 4-1/4 | 21-5/16 | 22-1/2 | 2-1/8 | 1/2x1/4 | 4-1/4 | 3 | 19-5/16 | 4 | 11 | 12-1/2 | 6-5/8 | 5/8-11 |
| 405TS | 10 | 8 | 13-3/4 | 13/16 | 4-1/4 | 21-5/16 | 22-1/2 | 2-1/8 | 1/2x1/4 | 4-1/4 | 3 | 19-5/16 | 4 | 11 | 12-1/2 | 6-5/8 | 5/8-11 |
| 444U | 11 | 9 | 14-1/2 | 13/16 | 8-5/8 | 23-3/8 | 25-1/4 | 2-7/8 | 3/4x3/8 | 8-5/8 | 3 | 22-3/16 | 8-3/8 | 14 | 16 | 7-1/2 | 5/8-11 |
| 445U | 11 | 9 | 16-1/2 | 13/16 | 8-5/8 | 23-3/8 | 25-1/4 | 2-7/8 | 3/4x3/8 | 8-5/8 | 3 | 22-3/16 | 8-3/8 | 14 | 16 | 7-1/2 | 5/8-11 |
| 444T | 11 | 9 | 14-1/2 | 13/16 | 8-1/2 | 23-3/8 | 25-1/4 | 3-3/8 | 7/8x7/16 | 8-1/2 | 3 | 23-3/8 | 8-1/4 | 14 | 16 | 7-1/2 | 5/8-11 |
| 445T | 11 | 9 | 16-1/2 | 13/16 | 8-1/2 | 23-3/8 | 25-1/4 | 3-3/8 | 7/8x7/16 | 8-1/2 | 3 | 23-3/8 | 8-1/4 | 14 | 16 | 7-1/2 | 5/8-11 |
| 447T | 11 | 9 | 20 | 13/16 | 8-1/2 | 23-5/8 | 26 | 3-3/8 | 7/8x7/16 | 8-1/2 | 3 | 23-7/8 | 8-1/4 | 14 | 16 | 7-1/2 | 5/8-11 |
| 449T | 11 | 9 | 25 | 13/16 | 8-1/2 | 23-5/8 | 26 | 3-3/8 | 7/8x7/16 | 8-1/2 | 3 | 23-7/8 | 8-1/4 | 14 | 16 | 7-1/2 | 5/8-11 |
| 444TS | 11 | 9 | 14-1/2 | 13/16 | 4-3/4 | 23-3/8 | 25-1/4 | 2-3/8 | 5/8x5/16 | 4-3/4 | 3 | 23-3/8 | 4-1/2 | 14 | 16 | 7-1/2 | 5/8-11 |
| 445TS | 11 | 9 | 16-1/2 | 13/16 | 4-3/4 | 23-3/8 | 25-1/4 | 2-3/8 | 5/8x5/16 | 4-3/4 | 3 | 23-3/8 | 4-1/2 | 14 | 16 | 7-1/2 | 5/8-11 |
| 447TS | 11 | 9 | 20 | 13/16 | 4-3/4 | 23-5/8 | 26 | 2-3/8 | 5/8x5/16 | 4-3/4 | 4 NPT | 23-7/8 | 4-1/2 | 14 | 16 | 7-1/2 | 5/8-11 |
| 449TS | 11 | 9 | 25 | 13/16 | 4-3/4 | 23-5/8 | 26 | 2-3/8 | 5/8x5/16 | 4-3/4 | 4 NPT | 23-7/8 | 4-1/2 | 14 | 16 | 7-1/2 | 5/8-11 |

IEC QUICK REFERENCE CHART

- Dimensions are for reference only
 - Drawings represent standard TEFC general purpose motors
- Contact your local DODGE/Reliance Sales Office at 1-864-284-5700 for "C" dimensions.



| KEY AND KEYSEAT DIMENSIONS | | | | | | | | | |
|----------------------------|----|------|----|----|-------|----|------|----|----|
| FRAME | D | G | F | GD | FRAME | D | G | F | GD |
| 71 | 14 | 11 | 5 | 5 | 160 | 37 | 42 | 12 | 8 |
| 80 | 19 | 15.5 | 6 | 6 | 180 | 48 | 42.5 | 14 | 9 |
| 90 | 24 | 20 | 8 | 7 | 200 | 55 | 49 | 16 | 10 |
| 100 | 28 | 24 | 8 | 7 | 225 | 60 | 53 | 18 | 11 |
| 112 | 28 | 24 | 8 | 7 | 250 | 70 | 67.5 | 20 | 12 |
| 132 | 38 | 33 | 10 | 8 | 280 | 80 | 71 | 22 | 14 |

| Frame | B3 RIGID BASE | | | | SHAFT | | | B5 FLANGE | | | | | B14 FACE | | | GENERAL | | | | |
|-------|---------------|-----|-----|-------|-------|-----|----|-----------|-----|-----|-------|--------|----------|-----|-----|---------|-----|-----|-----|----|
| | A | L10 | L12 | HD | C | E | D | N | M | P | S | V | N | M | P | S | V | AC | AD | XX |
| 71 | - | - | - | - | - | - | - | 110 | 130 | 160 | "3,5" | "9,5" | 70 | 85 | 105 | 2.5 | M6 | 143 | - | 13 |
| 80 | 125 | 100 | - | 188 | 50 | 40 | 19 | 130 | 165 | 200 | "3,5" | "11,5" | 80 | 100 | 120 | 3 | M6 | 143 | - | 13 |
| 90 | 140 | 100 | 125 | 208 | 56 | 50 | 24 | 130 | 165 | 200 | "3,5" | "11,5" | 95 | 115 | 140 | 3 | M8 | 163 | - | 13 |
| 100 | 160 | 112 | 140 | 229 | 63 | 60 | 28 | 180 | 215 | 250 | 4 | 14 | 110 | 130 | 160 | 3.5 | M8 | 175 | - | 19 |
| 112S | 190 | 114 | - | 301.8 | 71.4 | 60 | 28 | 180 | 215 | 250 | 4 | 14 | 110 | 130 | 160 | 3.5 | M8 | 243 | 210 | 32 |
| 112M | 190 | - | 140 | 301.8 | 71.4 | 60 | 28 | 180 | 215 | 250 | 4 | 14 | 110 | 130 | 160 | 3.5 | M8 | 243 | 210 | 32 |
| 132S | 216 | 140 | - | 336.6 | 88.9 | 80 | 38 | 230 | 265 | 300 | 4 | 14 | 130 | 165 | 200 | 3.5 | M8 | 286 | 243 | 32 |
| 132M | 216 | - | 178 | 336.6 | 88.9 | 80 | 38 | 230 | 265 | 300 | 4 | 14 | 130 | 165 | 200 | 3.5 | M8 | 286 | 243 | 32 |
| 160M | 254 | 210 | - | 399 | 108 | 110 | 42 | 250 | 300 | 350 | 5 | 18 | 180 | 215 | 250 | 4 | M12 | 324 | 320 | 40 |
| 160L | 254 | - | 254 | 399 | 108 | 110 | 42 | 250 | 300 | 350 | 5 | 18 | 180 | 215 | 250 | 4 | M12 | 324 | 320 | 40 |
| 180M | 279 | 241 | - | 436 | 121 | 110 | 48 | 250 | 300 | 350 | 5 | 18 | 398 | 355 | 40 | | | 398 | 355 | 40 |
| 180L | 279 | - | 279 | 436 | 121 | 110 | 48 | 250 | 300 | 350 | 5 | 18 | 398 | 355 | 40 | | | 398 | 355 | 40 |
| 200M | 318 | 267 | - | 486 | 133 | 110 | 55 | 300 | 350 | 400 | 5 | 18 | 442 | 445 | 50 | | | 442 | 445 | 50 |
| 200L | 318 | - | 305 | 486 | 133 | 110 | 55 | 300 | 350 | 400 | 5 | 18 | 442 | 445 | 50 | | | 442 | 445 | 50 |
| 225S | 356 | 286 | - | 545 | 149 | 140 | 60 | 350 | 400 | 450 | 5 | 18 | 490 | 470 | 50 | | | 490 | 470 | 50 |
| 225M | 356 | - | 311 | 545 | 149 | 140 | 60 | 350 | 400 | 450 | 5 | 18 | 490 | 470 | 50 | | | 490 | 470 | 50 |
| 250S | 406 | 311 | - | 616 | 168 | 140 | 65 | | | | | | | | | | | 600 | 510 | 63 |
| 250M | 406 | - | 349 | 616 | 168 | 140 | 65 | | | | | | | | | | | 600 | 535 | 63 |
| 280S | 457 | 368 | - | 677 | 190 | 140 | 75 | | | | | | | | | | | 650 | 535 | 63 |
| 280M | 457 | - | 419 | 677 | 190 | 140 | 75 | | | | | | | | | | | 650 | 535 | 63 |
| 280K | 457 | 500 | - | 677 | 190 | 140 | 75 | | | | | | | | | | | 650 | 535 | 63 |
| 280H | 457 | 630 | - | 677 | 190 | 140 | 75 | | | | | | | | | | | 650 | 535 | 63 |
| L280H | 457 | 635 | - | 677 | 202 | 205 | 75 | | | | | | | | | | | 650 | 535 | 63 |

Take-Up Frames

Engineering

Index

PART NUMBER INDEX



| Part No. | Page | Part No. | Page | Part No. | Page | Part No. | Page | Part No. | Page | Part No. | Page |
|----------|--------|----------|--------|----------|----------------|----------|----------------|----------|----------------|----------|--------|
| 004060 | B13-42 | 006043 | B13-40 | 010097 | B13-56 | 019200 | B15-21, B15-22 | 019270 | B15-21, B15-22 | 023051 | B6-23 |
| 004063 | B13-42 | 006046 | B13-40 | 010100 | B13-56 | | | | | 023052 | B6-23 |
| 004066 | B13-42 | 006049 | B13-40 | 010104 | B13-56 | 019201 | B15-21, B15-22 | | | 023053 | B6-23 |
| 004069 | B13-42 | 006052 | B13-40 | 010105 | B13-56 | | | 019271 | B15-21, B15-22 | 023054 | B6-23 |
| 004072 | B13-42 | 006055 | B13-40 | 010107 | B13-56 | 019202 | B15-21, B15-22 | | | 023055 | B6-23 |
| 004075 | B13-42 | 006058 | B13-40 | 010110 | B13-56 | | | 019272 | B15-21, B15-22 | 023056 | B6-23 |
| 004078 | B13-42 | 006061 | B13-40 | 010112 | B13-56 | 019203 | B15-21, B15-22 | | | 023057 | B6-23 |
| 004081 | B13-42 | 006064 | B13-40 | 010114 | B13-56 | | | 019273 | B15-21, B15-22 | 023058 | B6-23 |
| 004084 | B13-42 | 006067 | B13-40 | 010117 | B13-56 | 019204 | B15-21, B15-22 | | | 023059 | B6-23 |
| 004087 | B13-42 | 006070 | B13-40 | 010120 | B13-56 | | | 019274 | B15-21, B15-22 | 023060 | B6-23 |
| 004090 | B13-42 | 006073 | B13-40 | 010123 | B13-56 | 019210 | B15-21, B15-22 | | | 023061 | B6-23 |
| 004093 | B13-42 | 006076 | B13-40 | 010126 | B13-56 | | | 019280 | B15-21, B15-22 | 023062 | B6-23 |
| 004096 | B13-42 | 006079 | B13-40 | 010127 | B13-56 | 019211 | B15-21, B15-22 | | | 023063 | B6-23 |
| 004099 | B13-42 | 006082 | B13-40 | 010128 | B13-56 | | | 019281 | B15-21, B15-22 | 023064 | B6-23 |
| 004102 | B13-42 | 006102 | B13-38 | 010129 | B13-56 | 019212 | B15-21, B15-22 | | | 023065 | B6-23 |
| 004105 | B13-42 | 006104 | B13-38 | 010130 | B13-56 | | | 019282 | B15-21, B15-22 | 023066 | B6-23 |
| 004108 | B13-42 | 006107 | B13-38 | 010131 | B13-56 | 019213 | B15-21, B15-22 | | | 023067 | B6-23 |
| 004113 | B13-42 | 006109 | B13-38 | 012215 | B13-48 | | | 019283 | B15-21, B15-22 | 023068 | B6-23 |
| 004114 | B13-42 | 006110 | B13-38 | 012216 | B13-48 | 019214 | B15-21, B15-22 | | | 023069 | B6-23 |
| 004115 | B13-42 | 006111 | B13-38 | 012217 | B13-48 | | | 019284 | B15-21, B15-22 | 023070 | B6-25 |
| 004116 | B13-42 | 006113 | B13-38 | 013497 | B15-18, B15-19 | 019220 | B15-21, B15-22 | | | 023071 | B6-25 |
| 005050 | B13-12 | 006114 | B13-38 | | | | | 021218 | B13-48 | 023072 | B6-25 |
| 005051 | B13-12 | 006115 | B13-38 | 013498 | B15-18, B15-19 | 019221 | B15-21, B15-22 | | | 021219 | B13-48 |
| 005052 | B13-12 | 006117 | B13-38 | | | | | 021220 | B13-48 | 023073 | B6-25 |
| 005053 | B13-12 | 006118 | B13-38 | 013499 | B15-18, B15-19 | 019222 | B15-21, B15-22 | | | 023074 | B6-25 |
| 005055 | B13-12 | 006119 | B13-38 | | | | | 023000 | B6-23 | 023075 | B6-25 |
| 005056 | B13-12 | 006120 | B13-38 | 013511 | B15-18, B15-19 | 019223 | B15-21, B15-22 | | | 023001 | B6-23 |
| 005057 | B13-12 | 006124 | B13-38 | | | | | 023002 | B6-23 | 023076 | B6-31 |
| 005058 | B13-12 | 006125 | B13-38 | 013512 | B15-18, B15-19 | 019224 | B15-21, B15-22 | | | 023003 | B6-23 |
| 005059 | B13-12 | 006128 | B13-38 | | | | | 023004 | B6-23 | 023077 | B6-31 |
| 005060 | B13-12 | 006129 | B13-38 | 013513 | B15-18, B15-19 | 019230 | B15-21, B15-22 | | | 023078 | B6-31 |
| 005061 | B13-12 | 006132 | B13-38 | | | | | 023005 | B6-23 | 023079 | B6-31 |
| 005062 | B13-12 | 006136 | B13-38 | 013514 | B15-18, B15-19 | 019231 | B15-21, B15-22 | | | 023080 | B6-31 |
| 005063 | B13-12 | 006140 | B13-38 | | | | | 023006 | B6-23 | 023081 | B6-31 |
| 005064 | B13-12 | 006144 | B13-38 | 013515 | B15-18, B15-19 | 019232 | B15-21, B15-22 | | | 023007 | B6-23 |
| 005065 | B13-12 | 006148 | B13-38 | | | | | 023008 | B6-23 | 023082 | B6-31 |
| 005066 | B13-12 | 006152 | B13-38 | 013519 | B15-18, B15-19 | 019233 | B15-21, B15-22 | | | 023009 | B6-23 |
| 005067 | B13-12 | 010020 | B13-56 | | | | | 023010 | B6-23 | 023083 | B6-31 |
| 005068 | B13-12 | 010021 | B13-56 | 013520 | B15-18, B15-19 | 019234 | B15-21, B15-22 | | | 023011 | B6-23 |
| 005070 | B13-50 | 010024 | B13-56 | | | | | 023012 | B6-23 | 023084 | B6-31 |
| 005073 | B13-50 | 010028 | B13-56 | 013900 | B15-18, B15-19 | 019240 | B15-21, B15-22 | | | 023013 | B6-23 |
| 005076 | B13-50 | 010029 | B13-56 | | | | | 023014 | B6-23 | 023085 | B6-31 |
| 005079 | B13-50 | 010032 | B13-56 | 013901 | B15-18, B15-19 | 019241 | B15-21, B15-22 | | | 023015 | B6-23 |
| 005082 | B13-50 | 010036 | B13-56 | | | | | 023016 | B6-23 | 023086 | B6-31 |
| 005085 | B13-51 | 010039 | B13-56 | 013902 | B15-18, B15-19 | | | 023017 | B6-23 | 023087 | B6-31 |
| 005088 | B13-51 | 010043 | B13-56 | | | 019242 | B15-21, B15-22 | | | 023018 | B6-23 |
| 005091 | B13-51 | 010048 | B13-56 | 013903 | B15-18, B15-19 | | | 023019 | B6-23 | 023019 | B6-23 |
| 005094 | B13-51 | 010051 | B13-56 | | | 019243 | B15-21, B15-22 | | | 023020 | B6-23 |
| 005097 | B13-51 | 010054 | B13-56 | 013904 | B15-18, B15-19 | | | 023021 | B6-23 | 023021 | B6-23 |
| 005100 | B13-51 | 010055 | B13-56 | | | 019244 | B15-21, B15-22 | | | 023022 | B6-23 |
| 005117 | B13-12 | 010056 | B13-56 | 013905 | B15-18, B15-19 | | | 023023 | B6-25 | 023023 | B6-25 |
| 005195 | B13-51 | 010057 | B13-56 | | | 019250 | B15-21, B15-22 | | | 023024 | B6-25 |
| 005198 | B13-51 | 010058 | B13-56 | 013906 | B15-18, B15-19 | | | 023025 | B6-25 | 023025 | B6-25 |
| 005199 | B13-51 | 010059 | B13-56 | | | 019251 | B15-21, B15-22 | | | 023026 | B6-25 |
| 005201 | B13-51 | 010060 | B13-56 | 013907 | B15-18, B15-19 | | | 023027 | B6-25 | 023027 | B6-25 |
| 006001 | B13-40 | 010061 | B13-56 | | | 019252 | B15-21, B15-22 | | | 023028 | B6-25 |
| 006004 | B13-40 | 010075 | B13-56 | 013908 | B15-18, B15-19 | | | 023029 | B6-25 | 023028 | B6-25 |
| 006007 | B13-40 | 010076 | B13-56 | | | 019253 | B15-21, B15-22 | | | 023029 | B6-25 |
| 006010 | B13-40 | 010077 | B13-56 | 013909 | B15-18, B15-19 | | | 023030 | B6-25 | 023030 | B6-25 |
| 006013 | B13-40 | 010078 | B13-56 | | | 019254 | B15-21, B15-22 | | | 023031 | B6-25 |
| 006016 | B13-40 | 010080 | B13-56 | 013910 | B15-18, B15-19 | | | 023032 | B6-25 | 023031 | B6-25 |
| 006019 | B13-40 | 010081 | B13-56 | | | 019260 | B15-21, B15-22 | | | 023032 | B6-25 |
| 006022 | B13-40 | 010084 | B13-56 | 013916 | B15-18, B15-19 | | | 023033 | B6-25 | 023033 | B6-25 |
| 006025 | B13-40 | 010085 | B13-56 | | | 019261 | B15-21, B15-22 | | | 023034 | B6-25 |
| 006028 | B13-40 | 010088 | B13-56 | 013917 | B15-18, B15-19 | | | 023042 | B6-25 | 023034 | B6-25 |
| 006031 | B13-40 | 010089 | B13-56 | | | 019262 | B15-21, B15-22 | | | 023043 | B6-25 |
| 006034 | B13-40 | 010092 | B13-56 | 013918 | B15-18, B15-19 | | | 023044 | B6-25 | 023043 | B6-25 |
| 006037 | B13-40 | 010093 | B13-56 | | | 019263 | B15-21, B15-22 | | | 023044 | B6-25 |
| 006040 | B13-40 | 010096 | B13-56 | 018939 | B12-16 | | | 023045 | B6-25 | 023044 | B6-25 |
| | | | | | | 019264 | B15-21, | 023046 | B6-25 | 023045 | B6-25 |
| | | | | | | | | 023047 | B6-23 | 023046 | B6-25 |
| | | | | | | | | 023048 | B6-23 | 023047 | B6-23 |
| | | | | | | | | 023049 | B6-23 | 023048 | B6-23 |
| | | | | | | | | 023050 | B6-23 | 023049 | B6-23 |
| | | | | | | | | | | 023105 | B6-27 |
| | | | | | | | | | | 023106 | B6-27 |
| | | | | | | | | | | 023107 | B6-27 |
| | | | | | | | | | | 023108 | B6-27 |
| | | | | | | | | | | 023109 | B6-27 |
| | | | | | | | | | | 023110 | B6-27 |
| | | | | | | | | | | 023111 | B6-27 |
| | | | | | | | | | | 023112 | B6-27 |
| | | | | | | | | | | 023113 | B6-27 |
| | | | | | | | | | | 023114 | B6-27 |
| | | | | | | | | | | 023115 | B6-27 |
| | | | | | | | | | | 023116 | B6-27 |
| | | | | | | | | | | 023117 | B6-27 |
| | | | | | | | | | | 023118 | B6-27 |
| | | | | | | | | | | 023119 | B6-27 |

PART NUMBER INDEX



| Part No. | Page | Part No. | Page | Part No. | Page | Part No. | Page | Part No. | Page | Part No. | Page |
|----------|--------|----------|--------|----------|--------|----------|--------|----------|--------|----------|----------------|
| 023711 | B6-73 | 033091 | B13-20 | 033490 | B13-18 | 033698 | B13-37 | 033884 | B13-26 | 033982 | B13-14 |
| 023712 | B6-73 | 033092 | B13-20 | 033500 | B13-18 | 033699 | B13-37 | 033885 | B13-26 | 033983 | B13-14 |
| 023713 | B6-73 | 033093 | B13-20 | 033505 | B13-18 | 033739 | B13-28 | 033886 | B13-26 | 033984 | B13-14 |
| 023714 | B6-73 | 033094 | B13-20 | 033510 | B13-18 | 033740 | B13-28 | 033887 | B13-26 | 033986 | B13-14 |
| 023715 | B6-73 | 033095 | B13-20 | 033515 | B13-18 | 033741 | B13-28 | 033888 | B13-26 | 033987 | B13-14 |
| 023795 | B6-59 | 033096 | B13-20 | 033525 | B13-18 | 033742 | B13-28 | 033890 | B13-35 | 033988 | B13-14 |
| 023796 | B6-59 | 033097 | B13-20 | 033530 | B13-18 | 033743 | B13-28 | 033891 | B13-35 | 033990 | B13-14 |
| 023797 | B6-59 | 033098 | B13-20 | 033535 | B13-18 | 033744 | B13-28 | 033892 | B13-35 | 033991 | B13-14 |
| 023798 | B6-59 | 033185 | B13-20 | 033540 | B13-18 | 033745 | B13-28 | 033893 | B13-35 | 033992 | B13-14 |
| 023799 | B6-59 | 033186 | B13-20 | 033585 | B13-30 | 033750 | B13-28 | 033894 | B13-35 | 033993 | B13-14 |
| 023800 | B6-59 | 033187 | B13-20 | 033586 | B13-30 | 033751 | B13-28 | 033895 | B13-35 | 033994 | B13-14 |
| 023801 | B6-59 | 033188 | B13-20 | 033587 | B13-30 | 033752 | B13-28 | 033896 | B13-35 | 033996 | B13-14 |
| 032867 | B1-86 | 033189 | B13-20 | 033588 | B13-30 | 033753 | B13-28 | 033897 | B13-35 | 033997 | B13-14 |
| 032868 | B1-86 | 033190 | B13-20 | 033589 | B13-30 | 033754 | B13-28 | 033899 | B13-19 | 033998 | B13-14 |
| 032871 | B1-86 | 033191 | B13-20 | 033590 | B13-30 | 033755 | B13-28 | 033900 | B13-35 | 034020 | B15-38 |
| 032872 | B1-86 | 033192 | B13-20 | 033591 | B13-30 | 033756 | B13-28 | 033901 | B13-35 | 034021 | B15-38 |
| 032874 | B1-86 | 033193 | B13-20 | 033592 | B13-30 | 033810 | B13-24 | 033902 | B13-35 | 034022 | B15-38 |
| 032875 | B1-86 | 033194 | B13-20 | 033593 | B13-30 | 033811 | B13-24 | 033903 | B13-35 | 034023 | B15-38 |
| 032876 | B1-86 | 033195 | B13-20 | 033594 | B13-30 | 033812 | B13-24 | 033904 | B13-35 | 034024 | B15-38 |
| 032877 | B1-86 | 033196 | B13-20 | 033595 | B13-30 | 033813 | B13-24 | 033905 | B13-35 | 034025 | B15-38 |
| 032878 | B1-86 | 033197 | B13-20 | 033596 | B13-30 | 033814 | B13-24 | 033906 | B13-35 | 034030 | B13-13, B15-38 |
| 032879 | B1-86 | 033198 | B13-20 | 033597 | B13-30 | 033815 | B13-24 | 033907 | B13-35 | 034031 | B13-13, B15-38 |
| 032881 | B1-86 | 033200 | B13-22 | 033598 | B13-30 | 033816 | B13-24 | 033910 | B13-26 | 034032 | B13-13, B15-38 |
| 032882 | B1-86 | 033201 | B13-22 | 033599 | B13-30 | 033817 | B13-24 | 033911 | B13-26 | 034033 | B13-13, B15-38 |
| 032886 | B1-86 | 033202 | B13-22 | 033600 | B13-30 | 033818 | B13-24 | 033912 | B13-26 | 034034 | B13-13, B15-38 |
| 032887 | B1-86 | 033203 | B13-22 | 033601 | B13-30 | 033819 | B13-24 | 033913 | B13-26 | 034035 | B13-13, B15-38 |
| 032923 | B13-19 | 033204 | B13-22 | 033602 | B13-30 | 033820 | B13-24 | 033914 | B13-26 | 034117 | B13-30 |
| 032937 | B13-19 | 033205 | B13-22 | 033610 | B13-30 | 033821 | B13-24 | 033915 | B13-26 | 034218 | B13-20 |
| 032940 | B13-16 | 033206 | B13-22 | 033611 | B13-30 | 033822 | B13-24 | 033916 | B13-26 | 034221 | B13-14 |
| 032941 | B13-16 | 033207 | B13-22 | 033612 | B13-30 | 033823 | B13-24 | 033917 | B13-26 | 034225 | B13-14 |
| 032942 | B13-16 | 033208 | B13-22 | 033613 | B13-30 | 033824 | B13-24 | 033918 | B13-26 | 034226 | B13-14 |
| 032943 | B13-16 | 033209 | B13-22 | 033614 | B13-30 | 033825 | B13-24 | 033919 | B13-26 | 034227 | B13-14 |
| 032945 | B13-16 | 033210 | B13-22 | 033615 | B13-30 | 033826 | B13-24 | 033920 | B13-26 | 034228 | B13-14 |
| 032946 | B13-16 | 033211 | B13-22 | 033616 | B13-30 | 033840 | B13-24 | 033921 | B13-26 | 034229 | B13-14 |
| 032947 | B13-16 | 033212 | B13-22 | 033617 | B13-30 | 033841 | B13-24 | 033922 | B13-26 | 034230 | B13-14 |
| 032949 | B13-16 | 033213 | B13-22 | 033618 | B13-30 | 033842 | B13-24 | 033923 | B13-26 | 034231 | B13-14 |
| 032950 | B13-16 | 033214 | B13-22 | 033619 | B13-30 | 033843 | B13-24 | 033924 | B13-26 | 034232 | B13-14 |
| 032951 | B13-16 | 033215 | B13-22 | 033620 | B13-30 | 033844 | B13-24 | 033925 | B13-26 | 034233 | B13-14 |
| 032953 | B13-16 | 033216 | B13-22 | 033621 | B13-30 | 033845 | B13-24 | 033926 | B13-26 | 034234 | B13-14 |
| 032954 | B13-16 | 033217 | B13-22 | 033622 | B13-30 | 033846 | B13-24 | 033927 | B13-26 | 034235 | B13-14 |
| 032955 | B13-16 | 033218 | B13-22 | 033623 | B13-30 | 033847 | B13-24 | 033928 | B13-26 | 034236 | B13-14 |
| 032956 | B13-16 | 033247 | B13-18 | 033624 | B13-30 | 033848 | B13-24 | 033929 | B13-19 | 034237 | B13-14 |
| 032957 | B13-16 | 033251 | B13-18 | 033625 | B13-30 | 033849 | B13-24 | 033930 | B13-19 | 034238 | B13-14 |
| 032959 | B13-16 | 033260 | B13-22 | 033626 | B13-30 | 033850 | B13-24 | 033931 | B13-19 | 034239 | B13-14 |
| 032960 | B13-16 | 033261 | B13-22 | 033627 | B13-30 | 033851 | B13-24 | 033932 | B13-19 | 034240 | B13-14 |
| 032970 | B13-16 | 033262 | B13-22 | 033627 | B13-14 | 033852 | B13-24 | 033933 | B13-19 | 034241 | B13-14 |
| 032971 | B13-16 | 033263 | B13-22 | 033668 | B13-14 | 033853 | B13-24 | 033934 | B13-19 | 034242 | B13-14 |
| 032972 | B13-16 | 033264 | B13-22 | 033669 | B13-14 | 033854 | B13-24 | 033937 | B13-34 | 034243 | B13-14 |
| 032973 | B13-16 | 033265 | B13-22 | 033670 | B13-14 | 033855 | B13-24 | 033938 | B13-34 | 034244 | B13-16 |
| 032975 | B13-16 | 033266 | B13-22 | 033672 | B13-14 | 033856 | B13-24 | 033939 | B13-34 | 034245 | B13-16 |
| 032976 | B13-16 | 033267 | B13-22 | 033673 | B13-14 | 033862 | B13-19 | 033940 | B13-34 | 034246 | B13-16 |
| 032977 | B13-16 | 033268 | B13-22 | 033674 | B13-14 | 033863 | B13-19 | 033952 | B13-34 | 034247 | B13-16 |
| 032979 | B13-16 | 033269 | B13-22 | 033676 | B13-14 | 033867 | B13-19 | 033953 | B13-34 | 034248 | B13-16 |
| 032980 | B13-16 | 033270 | B13-22 | 033677 | B13-14 | 033868 | B13-19 | 033954 | B13-34 | 034249 | B13-16 |
| 032981 | B13-16 | 033271 | B13-22 | 033678 | B13-14 | 033869 | B13-19 | 033955 | B13-34 | 034250 | B13-16 |
| 032983 | B13-16 | 033272 | B13-22 | 033680 | B13-14 | 033870 | B13-26 | 033956 | B13-33 | 034251 | B13-16 |
| 032984 | B13-16 | 033273 | B13-22 | 033681 | B13-14 | 033871 | B13-26 | 033961 | B13-33 | 034252 | B13-16 |
| 032985 | B13-16 | 033274 | B13-22 | 033682 | B13-14 | 033872 | B13-26 | 033962 | B13-33 | 034253 | B13-16 |
| 032986 | B13-16 | 033275 | B13-22 | 033683 | B13-14 | 033873 | B13-26 | 033963 | B13-33 | 034254 | B13-16 |
| 032987 | B13-16 | 033276 | B13-22 | 033684 | B13-14 | 033874 | B13-26 | 033964 | B13-33 | 034255 | B13-16 |
| 032989 | B13-16 | 033277 | B13-22 | 033686 | B13-14 | 033875 | B13-26 | 033965 | B13-33 | 034256 | B13-16 |
| 032990 | B13-16 | 033278 | B13-22 | 033687 | B13-14 | 033876 | B13-26 | 033966 | B13-33 | 034257 | B13-16 |
| 033077 | B13-14 | 033321 | B13-19 | 033688 | B13-14 | 033877 | B13-26 | 033967 | B13-33 | 034258 | B13-16 |
| 033085 | B13-20 | 033323 | B13-19 | 033692 | B13-36 | 033878 | B13-26 | 033968 | B13-33 | | |
| 033086 | B13-20 | 033347 | B13-18 | 033693 | B13-36 | 033879 | B13-26 | 033974 | B13-14 | | |
| 033087 | B13-20 | 033351 | B13-18 | 033694 | B13-36 | 033880 | B13-26 | 033977 | B13-14 | | |
| 033088 | B13-20 | 033475 | B13-18 | 033695 | B13-36 | 033881 | B13-26 | 033978 | B13-14 | | |
| 033089 | B13-20 | 033480 | B13-18 | 033696 | B13-37 | 033882 | B13-26 | 033979 | B13-14 | | |
| 033090 | B13-20 | 033485 | B13-18 | 033697 | B13-37 | 033883 | B13-26 | 033980 | B13-14 | | |

PART NUMBER INDEX



Take-Up Frames

Engineering

Index

| Part No. | Page | Part No. | Page | Part No. | Page | Part No. | Page | Part No. | Page | Part No. | Page |
|----------|--------|----------|--------|----------|------------------|----------|------------------|----------|----------------|----------|-----------------|
| 034259 | B13-16 | 034332 | B13-26 | 034731 | B1-50 | 035748 | B11-117, B11-123 | 036196 | B15-39 | 037450 | B11-88, B11-899 |
| 034260 | B13-20 | 034438 | B13-32 | 034732 | B1-50 | | | 036197 | B15-39 | | |
| 034261 | B13-20 | 034439 | B13-32 | 034735 | B1-50 | 035749 | B11-117, B11-123 | 036198 | B15-39 | 037451 | B11-89 |
| 034262 | B13-20 | 034440 | B13-32 | 034736 | B1-58 | | | 036199 | B15-39 | 037452 | B11-89 |
| 034263 | B13-20 | 034441 | B13-32 | 034737 | B1-58 | 035750 | B11-117, B11-123 | 036200 | B15-39 | 037461 | B11-88 |
| 034264 | B13-20 | 034442 | B13-32 | 034738 | B1-58 | | | 036270 | B15-39 | 037462 | B11-88 |
| 034265 | B13-20 | 034443 | B13-32 | 034739 | B1-58 | 035751 | B11-117, B11-123 | 036274 | B15-39 | 037464 | B11-88 |
| 034266 | B13-20 | 034444 | B13-32 | 034740 | B1-58 | | | 036350 | B15-15 | 037465 | B11-88 |
| 034267 | B13-20 | 034445 | B13-32 | 034741 | B1-58 | 035752 | B11-117, B11-123 | 036351 | B15-15 | 037540 | B6-53 |
| 034268 | B13-20 | 034446 | B13-32 | 034748 | B1-28 | | | 036352 | B15-15 | 037541 | B6-53 |
| 034269 | B13-20 | 034447 | B13-32 | 034749 | B1-28 | 035762 | B11-54 | 036353 | B15-15 | 037542 | B6-53 |
| 034270 | B13-20 | 034448 | B13-32 | 034750 | B1-28 | 035763 | B11-117, B11-123 | 036354 | B15-15 | 037543 | B6-53 |
| 034271 | B13-20 | 034449 | B13-32 | 034751 | B1-28 | | | 036355 | B15-15 | 037544 | B6-53 |
| 034272 | B13-20 | 034450 | B13-32 | 034752 | B1-28 | 035764 | B11-117, B11-123 | 036356 | B15-15 | 037545 | B6-53 |
| 034273 | B13-22 | 034451 | B13-32 | 034754 | B1-28 | | | 036357 | B15-15 | 037546 | B6-53 |
| 034274 | B13-22 | 034452 | B13-32 | 034755 | B1-36 | 035765 | B11-54 | 036358 | B15-15 | 037547 | B6-53 |
| 034275 | B13-22 | 034453 | B13-32 | 034756 | B1-36 | 035766 | B11-54 | 036359 | B15-15 | 037548 | B6-53 |
| 034276 | B13-22 | 034454 | B13-30 | 034757 | B1-36 | 035767 | B11-54 | 036360 | B15-15 | 037549 | B6-55 |
| 034277 | B13-22 | 034455 | B13-30 | 034758 | B1-36 | 035768 | B11-54 | 036361 | B15-15 | 037550 | B6-55, B6-61 |
| 034278 | B13-22 | 034456 | B13-30 | 034759 | B1-72 | 035769 | B11-54 | 036362 | B15-15 | 037551 | B6-55, B6-61 |
| 034279 | B13-22 | 034457 | B13-30 | 034760 | B1-72 | 035770 | B11-54 | 036363 | B15-15 | 037552 | B6-55, B6-61 |
| 034280 | B13-22 | 034458 | B13-30 | 034761 | B1-72 | 035771 | B11-55 | 036364 | B15-15 | 037553 | B6-55, B6-61 |
| 034281 | B13-22 | 034459 | B13-30 | 034762 | B1-72 | 035772 | B11-55 | 036365 | B15-15 | 037554 | B6-55, B6-61 |
| 034282 | B13-22 | 034460 | B13-30 | 034763 | B1-72 | 035773 | B11-55 | 036366 | B15-15 | 037555 | B6-53 |
| 034283 | B13-22 | 034461 | B13-30 | 034765 | B1-72 | 035774 | B11-55 | 036367 | B15-15 | 037556 | B6-53 |
| 034284 | B13-22 | 034462 | B13-30 | 034766 | B1-50 | 035775 | B11-54 | 037001 | B13-46 | 037557 | B6-53 |
| 034285 | B13-22 | 034463 | B13-30 | 034767 | B1-50 | 035776 | B11-54 | 037002 | B13-46 | 037558 | B6-53 |
| 034286 | B13-22 | 034464 | B13-30 | 034768 | B1-50 | 035777 | B11-54 | 037003 | B13-46 | 037559 | B6-53 |
| 034287 | B13-22 | 034465 | B13-30 | 034769 | B1-50 | 035778 | B11-54 | 037004 | B13-46 | 037560 | B6-53 |
| 034288 | B13-22 | 034466 | B13-30 | 034770 | B1-50 | 035779 | B11-54 | 037005 | B13-46 | 037561 | B6-53 |
| 034289 | B13-22 | 034467 | B13-30 | 034772 | B1-50 | 035780 | B11-54 | 037006 | B13-46 | 037562 | B6-53 |
| 034290 | B13-22 | 034468 | B13-30 | 034773 | B1-58 | 035781 | B11-55 | 037007 | B13-46 | 037563 | B6-55 |
| 034291 | B13-22 | 034469 | B13-30 | 034774 | B1-58 | 035782 | B11-55 | 037009 | B13-46 | 037564 | B6-55 |
| 034292 | B13-22 | 034470 | B13-30 | 034775 | B1-58 | 035783 | B11-55 | 037010 | B13-46 | 037565 | B6-55 |
| 034293 | B13-24 | 034471 | B13-30 | 034776 | B1-58 | 035784 | B11-55 | 037011 | B13-46 | 037566 | B6-55 |
| 034294 | B13-24 | 034472 | B13-30 | 035025 | B13-54 | 035785 | B11-55 | 037012 | B13-46 | 037567 | B6-55 |
| 034295 | B13-24 | 034473 | B13-30 | 035026 | B13-54 | 035786 | B11-55 | 037013 | B13-46 | 037568 | B6-55 |
| 034296 | B13-24 | 034525 | B13-30 | 035027 | B13-54 | 035787 | B11-55 | 037017 | B13-46 | 037569 | B6-55 |
| 034297 | B13-24 | 034596 | B13-16 | 035028 | B13-54 | 035788 | B11-55 | 037020 | B13-46 | 037580 | B6-53 |
| 034298 | B13-24 | 034597 | B13-16 | 035029 | B13-54 | 035789 | B11-55 | 037022 | B13-46 | 037581 | B6-53 |
| 034299 | B13-24 | 034598 | B13-16 | 035030 | B13-54 | 035790 | B11-55 | 037024 | B13-46 | 037582 | B6-53 |
| 034300 | B13-24 | 034599 | B13-16 | 035031 | B13-55 | 035791 | B11-55 | 037026 | B13-46 | 037583 | B6-53 |
| 034303 | B13-24 | 034700 | B1-28 | 035032 | B13-55 | 035915 | B11-116 | 037426 | B11-88 | 037584 | B6-53 |
| 034304 | B13-24 | 034701 | B1-28 | 035033 | B13-55 | 035916 | B11-116 | 037427 | B11-88 | 037585 | B6-53 |
| 034305 | B13-24 | 034702 | B1-28 | 035034 | B13-55 | 035917 | B11-116 | 037428 | B11-88, B11-89 | 037586 | B6-53 |
| 034306 | B13-24 | 034703 | B1-28 | 035035 | B13-55 | 035929 | B11-99 | | | 037587 | B6-53 |
| 034307 | B13-24 | 034704 | B1-28 | 035036 | B13-55 | 035930 | B11-99 | 037429 | B11-89 | 037588 | B6-53 |
| 034308 | B13-24 | 034705 | B1-28 | 035083 | B13-55 | 035931 | B11-99 | 037430 | B11-89 | 037589 | B6-53 |
| 034309 | B13-24 | 034706 | B1-28 | 035107 | B13-54 | 035943 | B11-99 | 037431 | B11-89 | 037590 | B6-53 |
| 034310 | B13-24 | 034709 | B1-28 | 035108 | B13-54 | 035944 | B11-99 | 037432 | B11-88 | 037591 | B6-53 |
| 034313 | B13-26 | 034710 | B1-36 | 035116 | B13-55 | 035945 | B11-99 | 037433 | B11-88 | 037592 | B6-53 |
| 034314 | B13-26 | 034711 | B1-36 | 035117 | B13-55 | 035946 | B11-99 | 037434 | B11-88 | 037593 | B6-53 |
| 034315 | B13-26 | 034712 | B1-36 | 035183 | B11-89 | 036054 | B7-19 | 037435 | B11-88 | 037594 | B6-53 |
| 034316 | B13-26 | 034713 | B1-36 | 035185 | B11-89 | 036116 | B7-19 | 037436 | B11-88, B11-89 | 037595 | B6-53 |
| 034317 | B13-26 | 034714 | B1-36 | 035417 | B11-89 | 036118 | B7-19 | | | 037596 | B6-53 |
| 034318 | B13-26 | 034715 | B1-36 | 035418 | B11-89 | 036119 | B7-19 | 037437 | B11-88, B11-89 | 037597 | B6-53 |
| 034319 | B13-26 | 034716 | B1-72 | 035431 | B11-99 | 036120 | B7-19 | | | 037598 | B6-53 |
| 034320 | B13-26 | 034717 | B1-72 | 035432 | B11-99 | 036121 | B7-19 | 037438 | B11-89 | 037599 | B6-53 |
| 034321 | B13-26 | 034718 | B1-72 | 035433 | B11-99 | 036180 | B15-39 | 037439 | B11-89 | 037600 | B6-53 |
| 034322 | B13-26 | 034719 | B1-72 | 035437 | B11-116 | 036181 | B15-39 | 037440 | B11-89 | 037601 | B6-53 |
| 034323 | B13-26 | 034720 | B1-72 | 035438 | B11-116 | 036182 | B15-39 | 037441 | B11-88, B11-89 | 037602 | B6-53 |
| 034324 | B13-26 | 034721 | B1-72 | 035439 | B11-116 | 036183 | B15-39 | | | 037603 | B6-53 |
| 034325 | B13-26 | 034722 | B1-72 | 035744 | B11-117, B11-123 | 036184 | B15-39 | 037442 | B11-88 | 037604 | B6-55 |
| 034326 | B13-26 | 034725 | B1-72 | | | 036185 | B15-39 | 037443 | B11-88 | 037605 | B6-55 |
| 034327 | B13-26 | 034726 | B1-50 | 035745 | B11-117, B11-123 | 036186 | B15-39 | 037444 | B11-88 | 037606 | B6-55 |
| 034328 | B13-26 | 034727 | B1-50 | | | 036187 | B15-39 | 037446 | B11-88 | 037607 | B6-55 |
| 034329 | B13-26 | 034728 | B1-50 | 035747 | B11-117, B11-123 | 036188 | B15-39 | 037447 | B11-88 | 037608 | B6-55 |
| 034330 | B13-26 | 034729 | B1-50 | | | 036193 | B15-39 | 037448 | B11-88 | 037609 | B6-55 |
| 034331 | B13-26 | 034730 | B1-50 | | | 036194 | B15-39 | 037449 | B11-89 | 037610 | B6-55 |

PART NUMBER INDEX



| Part No. | Page | Part No. | Page | Part No. | Page | Part No. | Page | Part No. | Page | Part No. | Page |
|----------|---------------------|----------|--------|----------|----------------|----------|-----------------|----------|----------------|----------|---------------------------|
| 037611 | B6-55 | 037690 | B6-60 | 038200 | B15-11 | 038929 | B15-25, B15-26 | 039117 | B11-52 | 039223 | B11-37, B11-39 |
| 037612 | B6-55 | 037850 | B10-63 | 038201 | B15-11 | | | 039118 | B11-52 | | |
| 037613 | B6-55 | 037851 | B10-63 | 038202 | B15-11 | 038930 | B15-25, B15-26 | 039119 | B11-53 | 039224 | B11-37, B11-39 |
| 037614 | B6-55 | 037852 | B10-63 | 038203 | B15-11 | | | 039120 | B11-53 | | |
| 037615 | B6-55 | 037853 | B10-63 | 038204 | B15-11 | 038932 | B15-25, B15-26 | 039121 | B11-53 | 039225 | B11-38, B11-39 |
| 037616 | B6-55 | 037854 | B10-63 | 038205 | B15-11 | | | 039122 | B11-53 | | |
| 037617 | B6-55 | 037855 | B10-63 | 038206 | B15-11 | 039002 | B15-25, B15-26 | 039123 | B11-53 | 039226 | B11-38, B11-39 |
| 037618 | B6-55 | 037856 | B10-63 | 038207 | B15-11 | | | 039124 | B11-53 | | |
| 037619 | B6-55 | 037857 | B10-63 | 038208 | B15-11 | 039003 | BB15-25, B15-26 | 039125 | B11-53 | 039227 | B11-38, B11-39 |
| 037620 | B6-55 | 037901 | B10-63 | 038209 | B15-11 | | | 039126 | B11-53 | | |
| 037621 | B6-55 | 037902 | B10-63 | 038210 | B15-11 | 039004 | B15-25, B15-26 | 039127 | B11-53 | 039228 | B11-38, B11-39 |
| 037622 | B6-55 | 037903 | B10-63 | 038211 | B15-11 | | | 039128 | B11-53 | | |
| 037623 | B6-55 | 037904 | B10-63 | 038212 | B15-11 | 039005 | B15-25, B15-26 | 039129 | B11-53 | 039289 | B11-107, B11-110, B11-123 |
| 037624 | B6-55 | 037905 | B10-63 | 038213 | B15-11 | | | 039138 | B11-37 | | |
| 037625 | B6-55 | 037906 | B10-63 | 038214 | B15-11 | 039006 | B15-25, B15-26 | 039141 | B11-37 | | |
| 037626 | B6-55 | 037907 | B10-63 | 038215 | B15-11 | | | 039142 | B11-37 | 039290 | B11-123 |
| 037627 | B6-55 | 037908 | B10-63 | 038216 | B15-11 | 039007 | B15-25, B15-26 | 039147 | B11-37 | 039291 | B11-107, B11-110, B11-123 |
| 037628 | B6-55 | 037909 | B10-63 | 038217 | B15-11 | | | 039148 | B11-37 | | |
| 037629 | B6-55 | 037910 | B10-63 | 038218 | B15-11 | 039008 | B15-25, B15-26 | 039151 | B11-37 | | |
| 037630 | B6-55 | 037911 | B10-63 | 038219 | B15-11 | | | 039152 | B11-37 | 039292 | B11-107, B11-110, B11-123 |
| 037631 | B6-55 | 037912 | B10-63 | 038220 | B15-11 | 039009 | B15-25, B15-26 | 039155 | B11-37 | | |
| 037632 | B6-53, B6-57 | 037913 | B10-63 | 038221 | B15-11 | | | 039156 | B11-37 | | |
| 037633 | B6-53, B6-57 | 037914 | B10-63 | 038222 | B15-11 | 039010 | B15-25, B15-26 | 039159 | B11-37 | 039297 | B11-107, B11-110, B11-123 |
| 037634 | B6-53, B6-57 | 037915 | B10-63 | 038223 | B15-11 | | | 039160 | B11-37 | | |
| 037635 | B6-53, B6-57 | 037916 | B10-63 | 038224 | B15-11 | 039011 | B15-25, B15-26 | 039163 | B11-37 | | |
| 037636 | B6-53, B6-55, B6-57 | 037917 | B10-63 | 038225 | B15-11 | | | 039164 | B11-38 | 039355 | B11-116 |
| | | 037918 | B10-63 | 038226 | B15-11 | 039012 | B15-25, B15-26 | 039165 | B11-38 | 039356 | B11-116 |
| 037637 | B6-53, B6-55, B6-57 | 037919 | B10-63 | 038227 | B15-11 | | | 039166 | B11-38 | 039357 | B11-116 |
| | | 037920 | B10-63 | 038228 | B15-11 | 039013 | B15-25, B15-26 | 039167 | B11-38 | 039358 | B11-116 |
| 037638 | B6-53, B6-55, B6-57 | 037921 | B10-63 | 038229 | B15-11 | | | 039168 | B11-38 | 039359 | B11-116 |
| | | 037922 | B10-63 | 038910 | B15-25, B15-26 | 039014 | B15-25, B15-26 | 039169 | B11-38 | 039360 | B11-116 |
| 037639 | B6-53, B6-55, B6-57 | 037923 | B10-63 | | | | | 039170 | B11-38 | 039361 | B11-116 |
| | | 037924 | B10-63 | 038911 | B15-25, B15-26 | 039015 | B15-25, B15-26 | 039171 | B11-38 | 039362 | B11-116 |
| 037640 | B6-53, B6-55, B6-57 | 037925 | B10-73 | | | | | 039172 | B11-38 | 039371 | B11-116 |
| | | 037926 | B10-73 | 038912 | B15-25, B15-26 | 039016 | B15-25, B15-26 | 039173 | B11-38 | 039372 | B11-116 |
| 037641 | B6-53, B6-55, B6-57 | 037927 | B10-73 | | | | | 039174 | B11-38 | 039373 | B11-116 |
| | | 037928 | B10-73 | 038913 | B15-25, B15-26 | 039017 | B15-25, B15-26 | 039175 | B11-105 | 039374 | B11-116 |
| 037642 | B6-53, B6-55, B6-57 | 037929 | B10-73 | | | | | 039177 | B11-105 | 039375 | B11-116 |
| | | 037930 | B10-73 | 038914 | B15-25, B15-26 | 039018 | B15-25, B15-26 | 039179 | B11-105 | 039376 | B11-116 |
| 037643 | B6-53, B6-55, B6-57 | 037931 | B10-73 | | | | | 039181 | B11-105 | 039377 | B11-118 |
| | | 037932 | B10-73 | 038915 | B15-25, B15-26 | 039019 | B15-25, B15-26 | 039183 | B11-105 | 039378 | B11-118 |
| 037644 | B6-55, B6-57 | 037933 | B10-73 | | | | | 039185 | B11-105 | 039380 | B11-118 |
| 037645 | B6-55, B6-57 | 037934 | B10-73 | 038916 | B15-25, B15-26 | 039043 | B15-25, B15-26 | 039187 | B11-105 | 039381 | B11-118 |
| 037646 | B6-55, B6-57 | 037935 | B10-73 | | | | | 039189 | B11-105 | 039382 | B11-118 |
| 037647 | B6-55, B6-57 | 037936 | B10-73 | 038917 | B15-25, B15-26 | 039044 | B15-25, B15-26 | 039191 | B11-105 | 039383 | B11-118 |
| 037648 | B6-55, B6-57 | 037937 | B10-73 | | | | | 039193 | B11-105 | 039384 | B11-118 |
| 037649 | B6-55, B6-57 | 037938 | B10-73 | 038918 | B15-25, B15-26 | 039073 | B15-25, B15-26 | 039195 | B11-105 | 039385 | B11-118 |
| 037650 | B6-58 | 037939 | B10-73 | | | | | 039197 | B11-105 | 039386 | B11-118 |
| 037651 | B6-58 | 037940 | B10-73 | 038919 | B15-25, B15-26 | 039084 | B15-25, B15-26 | 039199 | B11-105 | 039404 | B11-99 |
| 037652 | B6-58 | 038070 | B15-12 | | | | | 039201 | B11-105 | 039405 | B11-99 |
| 037653 | B6-58 | 038071 | B15-12 | 038920 | B15-25, B15-26 | 039097 | B15-25, B15-26 | 039203 | B11-105 | 039406 | B11-99 |
| 037654 | B6-58 | 038072 | B15-12 | | | | | 039205 | B11-105 | 039407 | B11-99 |
| 037655 | B6-58 | 038073 | B15-12 | 038921 | B15-25, B15-26 | 039100 | B11-52 | 039207 | B11-105 | 039413 | B11-99 |
| 037656 | B6-58 | 038074 | B15-12 | | | | | 039209 | B11-105 | 039414 | B11-99 |
| 037657 | B6-58 | 038075 | B15-12 | 038922 | B15-25, B15-26 | 039102 | B11-52 | 039211 | B11-105 | 039415 | B11-99 |
| 037658 | B6-58 | 038076 | B15-12 | | | | | 039213 | B11-105 | 039416 | B11-99 |
| 037659 | B6-58 | 038077 | B15-12 | 038923 | B15-25, B15-26 | 039103 | B11-52 | 039215 | B11-105 | 039417 | B11-99 |
| 037660 | B6-58 | 038078 | B15-12 | | | | | 039217 | B11-37, B11-39 | 039418 | B11-99 |
| 037673 | B6-58 | 038109 | B15-8 | 038924 | B15-25, B15-26 | 039106 | B11-52 | | | 039419 | B11-99 |
| 037674 | B6-58 | 038110 | B15-8 | | | | | 039218 | B11-37, B11-39 | 039420 | B11-99 |
| 037681 | B6-60 | 038111 | B15-8 | 038925 | B15-25, B15-26 | 039108 | B11-52 | | | 039421 | B11-99 |
| 037682 | B6-60 | 038112 | B15-8 | | | | | 039219 | B11-37, B11-39 | 039422 | B11-99 |
| 037683 | B6-60 | 038113 | B15-8 | 038926 | B15-25, B15-26 | 039109 | B11-53 | | | 039423 | B11-99 |
| 037684 | B6-60 | 038114 | B15-8 | | | | | 039220 | B11-37, B11-39 | 039424 | B11-99 |
| 037685 | B6-60 | 038115 | B15-8 | 038927 | B15-25, B15-26 | 039111 | B11-53 | | | 039425 | B11-99 |
| 037686 | B6-60 | 038116 | B15-8 | | | | | 039221 | B11-37, B11-39 | 039426 | B11-99 |
| 037687 | B6-60 | 038117 | B15-8 | 038928 | B15-25, B15-26 | 039113 | B11-52 | | | 039427 | B11-99 |
| 037688 | B6-60 | 038118 | B15-8 | | | | | 039222 | B11-37, B11-39 | 039428 | B11-99 |
| 037689 | B6-60 | 038119 | B15-8 | | | 039115 | B11-52 | | | 039508 | B11-36, B11-39 |
| | | | | | | 039116 | B11-52 | | | | |

PART NUMBER INDEX



Take-Up Frames

Engineering

Index

| Part No. | Page | Part No. | Page | Part No. | Page | Part No. | Page | Part No. | Page | Part No. | Page |
|----------|--|----------|--|----------|----------------|----------|---|----------|--|----------|--------------------------------|
| 042521 | B11-33, B11-36, B11-45, B11-55, B11-56, B11-58, B11-73, B11-99 | 042538 | B11-33, B11-37, B11-45, B11-73, B11-99, B11-107, B11-110, B11-119, B11-123 | 043393 | B11-81, B11-85 | 043542 | B11-31, B11-36, B11-45, B11-52, B11-58, B11-73, B11-99 | 043559 | B11-33, B11-37, B11-45, B11-73, B11-99 | 043582 | B11-88, B11-97 |
| 042522 | B11-33, B11-37, B11-45, B11-55, B11-73 | 042539 | B11-33, B11-37, B11-45, B11-73 | 043400 | B11-81, B11-85 | 043543 | B11-31, B11-36, B11-45, B11-52, B11-73 | 043560 | B11-33, B11-37, B11-45, B11-58, B11-73, B11-99 | 043583 | B11-88, B11-97 |
| 042523 | B11-33, B11-37, B11-45, B11-55, B11-56, B11-58, B11-73, B11-99 | 042540 | B11-33, B11-37, B11-45, B11-73 | 043401 | B11-81 | 043544 | B11-31, B11-36, B11-45, B11-52, B11-73 | 043561 | B11-33, B11-37, B11-45, B11-73, B11-99 | 043586 | B11-35, B11-48, B11-75 |
| 042524 | B11-33, B11-37, B11-45, B11-55, B11-73 | 042541 | B11-35, B11-38, B11-45, B11-73 | 043402 | B11-81, B11-85 | 043545 | B11-31, B11-36, B11-45, B11-52, B11-73 | 043562 | B11-33, B11-45, B11-73, B11-107, B11-110, B11-119, B11-123 | 043600 | B11-75 |
| 042525 | B11-33, B11-37, B11-45, B11-55, B11-73, B11-99, B11-107, B11-110, B11-119, B11-123 | 042542 | B11-35, B11-38, B11-45, B11-73 | 043403 | B11-81, B11-85 | 043546 | B11-31, B11-36, B11-45, B11-52, B11-58, B11-73, B11-99 | 043563 | B11-33, B11-37, B11-45, B11-73 | 043601 | B11-75 |
| 042526 | B11-33, B11-37, B11-45, B11-55, B11-58, B11-73, B11-99 | 042543 | B11-35, B11-38, B11-45, B11-73 | 043404 | B11-81, B11-85 | 043547 | B11-31, B11-36, B11-45, B11-53, B11-73, B11-107, B11-110, B11-123 | 043564 | B11-33, B11-37, B11-45, B11-58, B11-73, B11-99 | 043602 | B11-75 |
| 042527 | B11-33, B11-37, B11-45, B11-55, B11-73, B11-107, B11-110, B11-119, B11-123 | 042544 | B11-35, B11-38, B11-45, B11-73 | 043405 | B11-81, B11-85 | 043548 | B11-31, B11-36, B11-45, B11-53, B11-73, B11-99 | 043565 | B11-33, B11-37, B11-45, B11-73, B11-99 | 043603 | B11-75 |
| 042528 | B11-33, B11-37, B11-45, B11-55, B11-58, B11-73, B11-99, B11-107, B11-110, B11-119, B11-123 | 042545 | B11-35, B11-38, B11-45, B11-73 | 043406 | B11-81, B11-85 | 043549 | B11-33, B11-36, B11-45, B11-53, B11-58, B11-73, B11-99 | 043566 | B11-33, B11-37, B11-45, B11-73 | 043604 | B11-75 |
| 042529 | B11-33, B11-37, B11-45, B11-55, B11-73 | 042547 | B11-117 | 043407 | B11-81, B11-85 | 043550 | B11-33, B11-37, B11-45, B11-53, B11-73 | 043567 | B11-33, B11-37, B11-45, B11-73 | 043605 | B11-75 |
| 042530 | B11-33, B11-37, B11-45, B11-73, B11-99 | 042562 | B11-37 | 043408 | B11-81, B11-85 | 043551 | B11-33, B11-37, B11-45, B11-53, B11-58, B11-73, B11-99 | 043568 | B11-35, B11-38, B11-45, B11-73 | 043606 | B11-75 |
| 042531 | B11-33, B11-37, B11-45, B11-73, B11-99 | 042568 | B11-65 | 043409 | B11-81, B11-84 | 043552 | B11-33, B11-37, B11-45, B11-53, B11-58, B11-73, B11-99 | 043569 | B11-35, B11-38, B11-45, B11-73 | 043607 | B11-75 |
| 042532 | B11-33, B11-37, B11-45, B11-73 | 042569 | B11-65 | 043410 | B11-81, B11-84 | 043553 | B11-33, B11-37, B11-45, B11-53, B11-58, B11-73, B11-99 | 043570 | B11-35, B11-38, B11-45, B11-73 | 043608 | B11-75 |
| 042533 | B11-33, B11-37, B11-45, B11-58, B11-73, B11-99 | 042570 | B11-65 | 043411 | B11-81, B11-85 | 043554 | B11-33, B11-37, B11-45, B11-53, B11-58, B11-73, B11-99 | 043571 | B11-35, B11-38, B11-45, B11-73 | 043609 | B11-75 |
| 042534 | B11-33, B11-37, B11-45, B11-73, B11-99 | 042571 | B11-65 | 043412 | B11-81, B11-85 | 043555 | B11-33, B11-37, B11-45, B11-53, B11-58, B11-73, B11-99 | 043572 | B11-35, B11-38, B11-45, B11-73 | 043610 | B11-75 |
| 042535 | B11-33, B11-37, B11-45, B11-73, B11-99, B11-107, B11-110, B11-119, B11-123 | 042572 | B11-65 | 043421 | B11-81 | 043556 | B11-33, B11-37, B11-45, B11-53, B11-58, B11-73, B11-99 | 043573 | B11-35, B11-38, B11-45, B11-73 | 043611 | B11-75 |
| 042536 | B11-33, B11-37, B11-45, B11-73 | 042573 | B11-65 | 043501 | B11-81, B11-84 | 043557 | B11-33, B11-37, B11-45, B11-53, B11-58, B11-73, B11-99 | 043574 | B11-35, B11-38, B11-45, B11-73 | 043612 | B11-75 |
| 042537 | B11-33, B11-37, B11-45, B11-58, B11-73, B11-99 | 042574 | B11-65 | 043502 | B11-81, B11-84 | 043558 | B11-33, B11-37, B11-45, B11-53, B11-58, B11-73, B11-99 | 043575 | B11-35, B11-38, B11-45, B11-73 | 043613 | B11-75 |
| | | 042575 | B11-65 | 043503 | B11-81, B11-84 | 043559 | B11-33, B11-37, B11-45, B11-53, B11-58, B11-73, B11-99 | 043576 | B11-35, B11-38, B11-45, B11-73 | 043614 | B11-75 |
| | | 042576 | B11-65 | 043504 | B11-81, B11-84 | 043560 | B11-33, B11-37, B11-45, B11-53, B11-73 | 043577 | B11-35, B11-38, B11-45, B11-73 | 043615 | B11-75 |
| | | 042577 | B11-65 | 043505 | B11-81, B11-84 | 043561 | B11-33, B11-37, B11-45, B11-53, B11-73 | 043578 | B11-31, B11-36, B11-45, B11-52, B11-117, B11-123 | 043616 | B11-75 |
| | | 042578 | B11-65 | 043506 | B11-81, B11-84 | 043562 | B11-33, B11-37, B11-45, B11-53, B11-73 | 043579 | B11-31, B11-36, B11-45, B11-52, B11-117, B11-123 | 043617 | B11-75 |
| | | 042579 | B11-65 | 043507 | B11-81, B11-84 | 043563 | B11-33, B11-37, B11-45, B11-53, B11-73 | 043580 | B11-35, B11-48, B11-75 | 043618 | B11-75 |
| | | 042580 | B11-65 | 043508 | B11-81, B11-84 | 043564 | B11-33, B11-37, B11-45, B11-53, B11-73 | 043581 | B11-88, B11-97 | 043619 | B11-33, B11-37, B11-48, B11-75 |
| | | 042581 | B11-65 | 043509 | B11-81, B11-84 | 043565 | B11-33, B11-37, B11-45, B11-53, B11-73 | | | 043620 | B11-33, B11-37, B11-48, B11-75 |
| | | 042582 | B11-65 | 043510 | B11-81, B11-84 | 043566 | B11-33, B11-37, B11-45, B11-53, B11-73 | | | 043621 | B11-33, B11-37, B11-48, B11-75 |
| | | 042583 | B6-55, B6-61 | 043511 | B11-81, B11-84 | 043567 | B11-33, B11-37, B11-45, B11-53, B11-73 | | | 043622 | B11-33, B11-37, B11-48, B11-75 |
| | | 042584 | B6-55, B6-61 | 043512 | B11-81, B11-84 | 043568 | B11-33, B11-37, B11-45, B11-53, B11-73 | | | 043623 | B11-33, B11-37, B11-48, B11-75 |
| | | 042585 | B6-55, B6-61 | 043513 | B11-81, B11-84 | 043569 | B11-33, B11-37, B11-45, B11-53, B11-73 | | | 043624 | B11-33, B11-37, B11-48, B11-75 |
| | | 042586 | B6-55, B6-61 | 043514 | B11-81, B11-84 | 043570 | B11-33, B11-37, B11-45, B11-53, B11-73 | | | 043625 | B11-33, B11-37, B11-48, B11-75 |
| | | 042587 | B6-55, B6-61 | 043515 | B11-81, B11-84 | 043571 | B11-33, B11-37, B11-45, B11-53, B11-73 | | | 043626 | B11-33, B11-37, B11-48, B11-75 |
| | | 042588 | B6-55, B6-61 | 043516 | B11-81, B11-84 | 043572 | B11-33, B11-37, B11-45, B11-53, B11-73 | | | 043627 | B11-33, B11-37, B11-48, B11-75 |
| | | 042589 | B6-55, B6-61 | 043517 | B11-81, B11-84 | 043573 | B11-33, B11-37, B11-45, B11-53, B11-73 | | | 043628 | B11-33, B11-37, B11-48, B11-75 |
| | | 042590 | B6-55, B6-61 | 043518 | B11-81, B11-84 | 043574 | B11-33, B11-37, B11-45, B11-53, B11-73 | | | 043629 | B11-33, B11-37, B11-48, B11-75 |
| | | 042591 | B6-55, B6-61 | 043519 | B11-81, B11-84 | 043575 | B11-33, B11-37, B11-45, B11-53, B11-73 | | | 043630 | B11-33, B11-37, B11-48, B11-75 |
| | | 042592 | B6-55, B6-61 | 043520 | B11-81, B11-84 | 043576 | B11-33, B11-37, B11-45, B11-53, B11-73 | | | 043631 | B11-33, B11-37, B11-48, B11-75 |
| | | 042593 | B6-55, B6-61 | 043521 | B11-81, B11-84 | 043577 | B11-33, B11-37, B11-45, B11-53, B11-73 | | | 043632 | B11-33, B11-37, B11-48, B11-75 |
| | | 042594 | B6-55, B6-61 | 043522 | B11-81, B11-84 | 043578 | B11-33, B11-37, B11-45, B11-53, B11-73 | | | | |
| | | 042595 | B6-55, B6-61 | 043523 | B11-81, B11-84 | 043579 | B11-33, B11-37, B11-45, B11-53, B11-73 | | | | |
| | | 043015 | B11-30 | 043524 | B11-81, B11-84 | 043580 | B11-33, B11-37, B11-45, B11-53, B11-73 | | | | |
| | | 043048 | B11-30 | 043525 | B11-81, B11-84 | 043581 | B11-33, B11-37, B11-45, B11-53, B11-73 | | | | |
| | | 043109 | B11-33, B11-37 | 043526 | B11-81, B11-84 | | | | | | |
| | | 043248 | B11-30 | 043527 | B11-81, B11-84 | | | | | | |
| | | 043249 | B11-30 | 043528 | B11-81, B11-84 | | | | | | |
| | | 043386 | B11-33, B11-37, B11-45, B11-73 | 043529 | B11-81, B11-84 | | | | | | |

PART NUMBER INDEX



| Part No. | Page | Part No. | Page | Part No. | Page | Part No. | Page | Part No. | Page | Part No. | Page |
|----------|--|----------|---------------------|----------|---------------------|----------|--------------------|----------|-------------------|----------|-------|
| 046434 | B11-33, B11-37, B11-48, B11-53, B11-55 | 046564 | B11-99, B11-103 | 046769 | B11-113, B11-127 | 047632 | B11-89, B11-97 | 047944 | B11-88, B11-95 | 048041 | B9-19 |
| 046463 | B11-117, B11-123 | 046565 | B11-99, B11-103 | 046770 | B11-113, B11-127 | 047635 | B11-89, B11-97 | 047945 | B11-88, B11-95 | 048042 | B9-19 |
| 046464 | B11-117, B11-123 | 046566 | B11-89, B11-95 | 046771 | B11-113, B11-127 | 047636 | B11-89, B11-97 | 047946 | B11-88, B11-95 | 048043 | B9-19 |
| 046465 | B11-117, B11-123 | 046567 | B11-89, B11-95 | 046772 | B11-127, B11-127 | 047637 | B11-88, B11-97 | 047947 | B11-89, B11-95 | 048044 | B9-19 |
| 046466 | B11-117, B11-123 | 046568 | B11-89, B11-95 | 046773 | B11-127, B11-127 | 047638 | B11-88, B11-97 | 047948 | B11-89, B11-95 | 048045 | B9-19 |
| 046467 | B11-117, B11-123 | 046569 | B11-89, B11-95 | 046850 | B11-51, B11-51 | 047639 | B11-88, B11-97 | 047949 | B11-89, B11-95 | 048046 | B9-19 |
| 046468 | B11-117, B11-123 | 046570 | B11-89, B11-95 | 046851 | B11-51, B11-51 | 047641 | B11-89, B11-97 | 047950 | B11-89, B11-95 | 048047 | B9-19 |
| 046469 | B11-117, B11-123 | 046572 | B11-89, B11-95 | 046872 | B11-51, B11-51 | 047642 | B11-89, B11-97 | 047951 | B11-89, B11-95 | 048048 | B9-19 |
| 046470 | B11-117, B11-123 | 046632 | B11-49, B11-129 | 046873 | B11-51, B11-51 | 047643 | B11-89, B11-97 | 047952 | B11-89, B11-95 | 048049 | B9-19 |
| 046471 | B11-117, B11-123 | 046633 | B11-49, B11-129 | 046874 | B11-51, B11-51 | 047644 | B11-89, B11-97 | 047953 | B11-89, B11-95 | 048050 | B9-19 |
| 046472 | B11-117, B11-123 | 046635 | B11-49, B11-129 | 046875 | B11-51, B11-51 | 047645 | B11-89, B11-97 | 047954 | B11-89, B11-95 | 048051 | B9-19 |
| 046473 | B11-117, B11-123 | 046637 | B11-49, B11-129 | 046876 | B11-51, B11-51 | 047646 | B11-88, B11-97 | 047955 | B11-89, B11-95 | 048052 | B9-19 |
| 046474 | B11-117, B11-123 | 046638 | B11-49, B11-129 | 046877 | B11-51, B11-51 | 047647 | B11-88, B11-97 | 047956 | B11-89, B11-95 | 048053 | B9-19 |
| 046475 | B11-117, B11-123 | 046639 | B11-49, B11-129 | 046878 | B11-51, B11-51 | 047648 | B11-88, B11-97 | 047957 | B11-89, B11-95 | 048054 | B9-19 |
| 046476 | B11-117, B11-123 | 046642 | B11-49, B11-129 | 046879 | B11-51, B11-51 | 047649 | B11-88, B11-97 | 048000 | B9-17 | 048055 | B9-19 |
| 046477 | B11-117, B11-123 | 046643 | B11-49, B11-129 | 046880 | B11-51, B11-51 | 047678 | B11-88, B11-97 | 048001 | B9-17 | 048056 | B9-19 |
| 046478 | B11-117, B11-123 | 046682 | B11-99, B11-103 | 046881 | B11-51, B11-51 | 047679 | B11-88, B11-97 | 048002 | B9-17 | 048057 | B9-19 |
| 046498 | B11-89, B11-95 | 046720 | B12-18, B12-18 | 046882 | B11-51, B11-51 | 047680 | B11-88, B11-97 | 048003 | B9-17 | 048058 | B9-19 |
| 046499 | B11-89, B11-95 | 046721 | B12-18, B12-18 | 046883 | B11-51, B11-51 | 047681 | B11-89, B11-97 | 048004 | B9-17 | 048059 | B9-19 |
| 046545 | B11-33, B11-37, B11-48, B11-75 | 046722 | B12-18, B12-18 | 046884 | B11-51, B11-51 | 047682 | B11-89, B11-97 | 048005 | B9-17 | 048060 | B9-19 |
| 046550 | B11-103 | 046751 | B11-127, B11-127 | 046960 | B11-51, B11-51 | 047815 | B11-51, B11-51 | 048006 | B9-17 | 048061 | B9-19 |
| 046551 | B11-99, B11-103 | 046752 | B11-127, B11-127 | 046961 | B11-51, B11-51 | 047816 | B11-51, B11-51 | 048007 | B9-17 | 048062 | B9-19 |
| 046552 | B11-99, B11-103 | 046753 | B11-127, B11-127 | 046962 | B11-51, B11-51 | 047817 | B11-51, B11-51 | 048008 | B9-17 | 048063 | B9-19 |
| 046553 | B11-99, B11-103 | 046754 | B11-127, B11-127 | 046963 | B11-51, B11-51 | 047818 | B11-51, B11-51 | 048009 | B9-17 | 048064 | B9-19 |
| 046554 | B11-99, B11-103 | 046755 | B11-127, B11-127 | 046964 | B11-51, B11-51 | 047819 | B11-51, B11-51 | 048010 | B9-17 | 048065 | B9-19 |
| 046555 | B11-99, B11-103 | 046756 | B11-113, B11-127 | 046965 | B11-51, B11-51 | 047820 | B11-51, B11-51 | 048011 | B9-17 | 048066 | B9-19 |
| 046556 | B11-99, B11-103 | 046757 | B11-113, B11-127 | 046966 | B11-51, B11-51 | 047821 | B11-51, B11-51 | 048012 | B9-17 | 048067 | B9-19 |
| 046557 | B11-95, B11-99, B11-103 | 046758 | B11-113, B11-127 | 046967 | B11-51, B11-51 | 047822 | B11-51, B11-51 | 048013 | B9-17 | 048068 | B9-19 |
| 046558 | B11-99, B11-103 | 046759 | B11-113, B11-127 | 046968 | B11-51, B11-51 | 047823 | B11-51, B11-51 | 048014 | B9-17 | 048069 | B9-19 |
| 046559 | B11-99, B11-103 | 046760 | B11-113, B11-127 | 046969 | B11-51, B11-51 | 047824 | B11-51, B11-51 | 048015 | B9-17 | 048070 | B9-19 |
| 046560 | B11-99, B11-103 | 046761 | B11-113, B11-127 | 046970 | B11-51, B11-51 | 047825 | B11-51, B11-51 | 048016 | B9-17 | 048071 | B9-19 |
| 046561 | B11-99, B11-103 | 046762 | B11-113, B11-127 | 046971 | B11-51, B11-51 | 047826 | B11-51, B11-51 | 048017 | B9-17 | 048072 | B9-19 |
| 046562 | B11-99, B11-103 | 046763 | B11-113, B11-127 | 046972 | B11-51, B11-51 | 047827 | B11-51, B11-51 | 048018 | B9-17 | 048073 | B9-19 |
| 046563 | B11-99, B11-103 | 046764 | B11-113, B11-127 | 046973 | B11-51, B11-51 | 047828 | B11-51, B11-51 | 048019 | B9-17 | 048074 | B9-19 |
| | | 046765 | B11-113, B11-127 | 046974 | B11-51, B11-51 | 047829 | B11-51, B11-51 | 048020 | B9-17 | 048075 | B9-19 |
| | | 046766 | B11-113, B11-127 | 046975 | B11-51, B11-51 | 047830 | B11-51, B11-51 | 048021 | B9-17 | 048076 | B9-19 |
| | | 046767 | B11-113, B11-127 | 046976 | B11-51, B11-51 | 047831 | B11-51, B11-51 | 048022 | B9-17 | 048077 | B9-19 |
| | | 046768 | B11-113, B11-127 | 046977 | B11-51, B11-51 | 047832 | B11-51, B11-51 | 048023 | B9-17 | 048078 | B9-19 |
| | | | | 046978 | B11-51, B11-51 | 047833 | B11-51, B11-51 | 048024 | B9-17 | 048079 | B9-19 |
| | | | | 046979 | B11-51, B11-51 | 047834 | B11-51, B11-51 | 048025 | B9-17 | 048080 | B9-19 |
| | | | | 046980 | B11-51, B11-51 | 047835 | B11-51, B11-51 | 048026 | B9-17 | 048081 | B9-19 |
| | | | | 046981 | B11-51, B11-51 | 047836 | B11-51, B11-51 | 048027 | B9-17 | 048082 | B9-19 |
| | | | | 046982 | B11-51, B11-51 | 047837 | B11-51, B11-51 | 048028 | B9-17 | 048083 | B9-19 |
| | | | | 046983 | B11-51, B11-51 | 047838 | B11-51, B11-51 | 048029 | B9-17 | 048084 | B9-19 |
| | | | | 046984 | B11-51, B11-51 | 047839 | B11-51, B11-51 | 048030 | B9-17 | 048085 | B9-19 |
| | | | | 046985 | B11-51, B11-51 | 047840 | B11-35, B11-38, | 048031 | B9-17 | 048086 | B9-19 |
| | | | | 046986 | B11-51, B11-51 | 047940 | B11-35, B11-38, | 048032 | B9-17 | 048087 | B9-19 |
| | | | | 046987 | B11-51, B11-51 | | | 048033 | B9-17 | 048088 | B9-19 |
| | | | | 046988 | B11-51, B11-51 | | | 048034 | B9-19 | 048089 | B9-19 |
| | | | | 046989 | B11-51, B11-51 | | | 048035 | B9-19 | 048090 | B9-19 |
| | | | | 046990 | B11-51, B11-51 | | | 048036 | B9-19 | 048091 | B9-19 |
| | | | | 046991 | B11-51, B11-51 | | | 048037 | B9-19 | 048092 | B9-19 |
| | | | | 046992 | B11-51, B11-51 | | | 048038 | B9-19 | 048093 | B9-19 |
| | | | | 046993 | B11-51, B11-51 | | | 048039 | B9-19 | 048094 | B9-19 |
| | | | | 046994 | B11-51, B11-51 | | | 048040 | B9-19 | 048095 | B9-19 |
| | | | | 046995 | B11-51, B11-51 | | | | | 048096 | B9-19 |
| | | | | 046996 | B11-51, B11-51 | | | | | 048097 | B9-19 |
| | | | | 046997 | B11-51, B11-51 | | | | | 048098 | B9-19 |
| | | | | 046998 | B11-51, B11-51 | | | | | 048099 | B9-19 |
| | | | | 046999 | B11-51, B11-51 | | | | | 048100 | B9-19 |
| | | | | 047000 | B11-51, B11-51 | | | | | 048101 | B9-19 |
| | | | | 047001 | B11-51, B11-51 | | | | | 048102 | B9-19 |
| | | | | 047002 | B11-51, B11-51 | | | | | 048103 | B9-19 |
| | | | | 047003 | B11-51, B11-51 | | | | | 048104 | B9-19 |
| | | | | 047004 | B11-51, B11-51 | | | | | 048105 | B9-19 |
| | | | | 047005 | B11-51, B11-51 | | | | | 048106 | B9-19 |
| | | | | 047006 | B11-51, B11-51 | | | | | 048107 | B9-19 |
| | | | | 047007 | B11-51, B11-51 | | | | | 048108 | B9-19 |
| | | | | 047008 | B11-51, B11-51 | | | | | 048109 | B9-19 |
| | | | | 047009 | B11-51, B11-51 | | | | | 048110 | B9-19 |
| | | | | 047010 | B11-51, B11-51 | | | | | 048111 | B9-19 |
| | | | | 047011 | B11-51, B11-51 | | | | | 048112 | B9-19 |
| | | | | 047012 | B11-51, B11-51 | | | | | 048113 | B9-19 |
| | | | | 047013 | B11-51, B11-51 | | | | | 048114 | B9-19 |
| | | | | 047014 | B11-51, B11-51 | | | | | 048115 | B9-19 |
| | | | | 047015 | B11-51, B11-51 | | | | | 048116 | B9-19 |
| | | | | 047016 | B11-51, B11-51 | | | | | 048117 | B9-19 |
| | | | | 047017 | B11-51, B11-51 | | | | | 048118 | B9-19 |
| | | | | 047018 | B11-51, B11-51 | | | | | 048119 | B9-19 |
| | | | | 047019 | B11-51, B11-51 | | | | | 048120 | B9-19 |
| | | | | 047020 | B11-51, B11-51 | | | | | 048121 | B9-19 |
| | | | | 047021 | B11-51, B11-51 | | | | | 048122 | B9-19 |
| | | | | 047022 | B11-51, B11-51 | | | | | 048123 | B9-19 |
| | | | | 047023 | B11-51, B11-51 | | | | | 048124 | B9-19 |
| | | | | | | | | | | | |

PART NUMBER INDEX



| Part No. | Page | Part No. | Page | Part No. | Page | Part No. | Page | Part No. | Page | Part No. | Page |
|----------|-------------------|----------|---------------------------|----------|-------------------|----------|--------------------------|----------|--------|----------|--------------|
| 048931 | B10-75, B12-16 | 051606 | B4-64 | 053067 | B6-61 | 055806 | B6-61 | 056806 | B1-66 | 058294 | B1-64 |
| 048932 | B10-75, B12-16 | 051825 | B3-134 | 053140 | B5-28 | 055807 | B6-61 | 056807 | B1-66 | 058311 | B1-54 |
| 048933 | B10-75, B12-16 | 051826 | B3-133 | 053169 | B3-133 | 055840 | B6-61 | 056808 | B1-66 | 058336 | B1-54 |
| 048934 | B10-75, B12-16 | 051827 | B3-133 | 053201 | B12-18 | 055876 | B11-58 | 056809 | B1-66 | 058345 | B1-82 |
| 048937 | B12-16 | 051841 | B11-56, B12-13, B12-19 | 053219 | B4-28 | 055881 | B11-58 | 056810 | B1-66 | 058347 | B5-50 |
| 048938 | B12-16 | 051885 | B4-28 | 053326 | B4-32 | 055898 | B11-58 | 056830 | B4-24 | 058380 | B3-134 |
| 048939 | B12-16 | 051906 | B3-133 | 053339 | B4-28 | 055906 | B11-58 | 056862 | B4-32 | 058395 | B5-38 |
| 048940 | B12-16 | 052015 | B3-133 | 053411 | B4-28 | 055907 | B11-58 | 056864 | B3-133 | 058404 | B1-42 |
| 049235 | B6-61 | 052045 | B4-64 | 053412 | B4-28 | 055915 | B6-61 | 056867 | B5-24 | 058470 | B1-42 |
| 049380 | B1-42 | 052047 | B3-134 | 053413 | B4-28 | 055931 | B6-61, B10-67, B11-58 | 056889 | B5-28 | 058514 | B1-68 |
| 049385 | B4-64 | 052048 | B3-134 | 053414 | B4-28 | 055940 | B10-67, B11-58 | 056890 | B5-30 | 058515 | B1-46 |
| 049415 | B5-52 | 052081 | B11-89, B11-96 | 053415 | B4-28 | 055943 | B6-61 | 056893 | B1-42 | 058516 | B1-24 |
| 049430 | B5-58 | 052093 | B1-84 | 053416 | B4-28 | 055945 | B10-67, B11-58 | 056911 | B3-135 | 058593 | B1-42 |
| 049447 | B5-28 | 052093 | B5-60 | 053417 | B4-28 | 055948 | B6-61 | 056961 | B5-22 | 058594 | B1-64 |
| 049462 | B3-133 | 052276 | B3-134 | 053418 | B4-28 | 056100 | B6-45 | 056962 | B5-22 | 058595 | B1-64 |
| 049467 | B5-44 | 052294 | B3-133 | 053493 | B5-44 | 056102 | B6-45 | 056964 | B1-44 | 058596 | B1-18 |
| 049469 | B1-26 | 052311 | B3-133 | 053517 | B5-48 | 056104 | B6-45 | 056967 | B5-22 | 058597 | B1-18 |
| 049470 | B4-56 | 052478 | B3-134 | 053563 | B3-134 | 056106 | B6-45 | 056968 | B5-36 | 058619 | B3-134 |
| 049477 | B1-66 | 052532 | B3-134 | 053617 | B4-32 | 056108 | B6-45 | 056970 | B5-36 | 058625 | B5-22 |
| 049496 | B5-48 | 052535 | B5-28 | 053628 | B6-61 | 056110 | B6-45 | 056971 | B1-44 | 058632 | B1-32 |
| 049610 | B5-40 | 052540 | B3-133 | 053670 | B3-133 | 056112 | B6-45 | 057018 | B15-42 | 058633 | B3-134 |
| 049686 | B1-44 | 052546 | B5-48 | 053763 | B4-44 | 056108 | B6-45 | 057021 | B15-42 | 058647 | B5-48 |
| 049696 | B5-50 | 052555 | B5-28 | 053784 | B5-42 | 056110 | B6-45 | 057024 | B15-42 | 058648 | B1-54 |
| 049709 | B5-30 | 052567 | B4-56 | 053871 | B3-135 | 056112 | B6-45 | 057027 | B15-42 | 058652 | B3-135 |
| 049747 | B5-48 | 052570 | B11-56, B12-13, B12-19 | 053894 | B3-135 | 056114 | B6-45 | 057030 | B15-42 | 058665 | B1-82 |
| 049751 | B4-40 | 052604 | B3-133 | 053895 | B3-135 | 056130 | B6-45 | 057033 | B15-42 | 058690 | B3-133 |
| 049781 | B5-56 | 052618 | B3-133 | 053955 | B3-134 | 056132 | B6-45 | 057036 | B15-42 | 058699 | B11-56 |
| 049787 | B4-28 | 052618 | B1-82 | 053986 | B1-84 | 056134 | B6-45 | 057039 | B15-42 | 058738 | B3-135 |
| 049802 | B4-28 | 052620 | B1-82 | 053986 | B5-60 | 056136 | B6-45 | 057102 | B1-82 | 058778 | B4-34 |
| 049803 | B4-28 | 052621 | B1-82 | 054063 | B3-135 | 056138 | B6-45 | 057114 | B3-134 | 058779 | B4-34 |
| 049811 | B3-135 | 052622 | B1-82 | 054065 | B3-134 | 056140 | B6-45 | 057132 | B3-134 | 058792 | B1-42 |
| 049813 | B5-54 | 052623 | B1-82 | 054142 | B5-22 | 056142 | B6-45 | 057212 | B3-134 | 058852 | B3-134 |
| 049835 | B1-42 | 052626 | B5-44 | 054145 | B1-82 | 056144 | B6-45 | 057265 | B3-135 | 058898 | B5-34 |
| 049838 | B5-40 | 052637 | B11-56, B12-13, B12-19 | 054190 | B3-133 | 056440 | B1-64 | 057266 | B5-50 | 058902 | B11-56 |
| 049841 | B4-12 | 052638 | B11-56, B12-13, B12-19 | 054203 | B3-133, B3-134 | 056468 | B5-58 | 057338 | B3-133 | 058903 | B11-56 |
| 049843 | B4-12 | 052639 | B11-56, B12-13, B12-19 | 054276 | B3-133 | 056497 | B1-18 | 057363 | B3-134 | 058904 | B11-56 |
| 049844 | B4-12 | 052640 | B11-56, B12-13, B12-19 | 054300 | B3-133 | 056512 | B5-34 | 057368 | B3-134 | 058905 | B11-56 |
| 049845 | B4-64 | 052641 | B11-56, B12-13, B12-19 | 054300 | B3-133 | 056525 | B1-22 | 057442 | B1-24 | 058906 | B11-56 |
| 049848 | B4-12 | 052642 | B11-56, B12-13, B12-19 | 054314 | B3-133 | 056526 | B1-42 | 057474 | B3-133 | 058907 | B11-56 |
| 049855 | B5-54 | 052643 | B11-56, B12-13, B12-19 | 054315 | B3-134 | 056548 | B1-20 | 057475 | B5-42 | 058908 | B11-56 |
| 049879 | B4-32 | 052644 | B11-56, B12-13, B12-19 | 054316 | B3-134 | 056552 | B1-44 | 057487 | B3-134 | 058909 | B11-56 |
| 049884 | B4-56 | 052644 | B11-56, B12-13, B12-19 | 054342 | B3-133 | 056553 | B1-20 | 057524 | B1-42 | 058910 | B1-64 |
| 049891 | B3-135 | 052644 | B11-56, B12-13, B12-19 | 054390 | B5-50 | 056565 | B1-22 | 057543 | B5-44 | 058915 | B3-135 |
| 049893 | B3-135 | 052644 | B11-56, B12-13, B12-19 | 054411 | B5-50 | 056577 | B1-32 | 057594 | B1-42 | 058931 | B1-18 |
| 049894 | B3-134 | 052644 | B11-56, B12-13, B12-19 | 054412 | B3-134 | 056578 | B3-135 | 057658 | B5-44 | 058940 | B1-76 |
| 049930 | B5-30 | 052644 | B11-56, B12-13, B12-19 | 054419 | B3-133 | 056580 | B1-42 | 057683 | B3-135 | 058941 | B1-42 |
| 049945 | B3-126 | 052644 | B11-56, B12-13, B12-19 | 054455 | B5-14 | 056588 | B3-134 | 057687 | B1-42 | 058944 | B1-18 |
| 049950 | B4-56 | 052644 | B11-56, B12-13, B12-19 | 054534 | B3-133 | 056593 | B1-66 | 057692 | B4-28 | 058965 | B1-82 |
| 049991 | B3-134 | 052644 | B11-56, B12-13, B12-19 | 054534 | B3-133 | 056605 | B5-48 | 057708 | B3-134 | 058975 | B1-18 |
| 049996 | B1-20 | 052644 | B11-56, B12-13, B12-19 | 054556 | B3-134 | 056605 | B5-48 | 057708 | B3-134 | 058975 | B1-18 |
| 050189 | B3-133 | 052644 | B11-56, B12-13, B12-19 | 054580 | B3-135 | 056610 | B5-8 | 057770 | B5-48 | 058989 | B1-82 |
| 050420 | B4-44 | 052644 | B11-56, B12-13, B12-19 | 054593 | B3-134 | 056611 | B1-44 | 057800 | B3-134 | 058994 | B5-44 |
| 050474 | B11-89, B11-95 | 052644 | B11-56, B12-13, B12-19 | 054782 | B3-133 | 056612 | B1-44 | 057801 | B3-134 | 058996 | B4-64 |
| 050524 | B1-82 | 052644 | B11-56, B12-13, B12-19 | 054831 | B3-135 | 056630 | B3-134 | 057839 | B3-135 | 058997 | B5-14, B5-16 |
| 050531 | B11-89, B11-97 | 052668 | B5-28 | 054837 | B3-135 | 056633 | B1-66 | 057847 | B3-133 | 059593 | B5-48 |
| 050555 | B3-135 | 052722 | B5-48 | 054843 | B3-133 | 056638 | B5-48, B5-50 | 057898 | B1-18 | 059595 | B4-34 |
| 050580 | B1-82 | 052729 | B4-32 | 054917 | B3-134 | 056676 | B5-14 | 057899 | B1-64 | 059596 | B4-34 |
| 050653 | B1-82 | 052762 | B4-12 | 054918 | B3-134 | 056696 | B5-24 | 057906 | B3-135 | 059614 | B3-134 |
| 050654 | B1-82 | 052763 | B4-12 | 054934 | B3-134 | 056734 | B1-44 | 057907 | B1-64 | 059636 | B3-135 |
| 050656 | B1-82 | 052931 | B5-22 | 054950 | B4-10 | 056779 | B5-46 | 057908 | B1-54 | 059652 | B6-61 |
| 050839 | B4-32 | 052932 | B4-26 | 054960 | B6-61 | 056780 | B5-30 | 057958 | B11-58 | 059652 | B10-67 |
| 050951 | B4-32 | 052959 | B4-56 | 055572 | B11-58 | 056784 | B4-32 | 057966 | B11-58 | 059652 | B11-58 |
| 051513 | B3-133 | 052981 | B1-82 | 055654 | B11-58 | 056796 | B1-20 | 058081 | B5-46 | 059667 | B4-10 |
| | | 052984 | B5-22 | 055710 | B11-58 | 056797 | B1-20 | 058183 | B3-134 | 059673 | B3-133 |
| | | 053007 | B4-40 | 055712 | B11-58 | 056800 | B1-22 | 058194 | B3-133 | 059680 | B5-22 |
| | | 053008 | B4-20 | 055714 | B11-58 | 056801 | B1-44 | 058219 | B14-41 | 059696 | B3-134 |
| | | 053011 | B5-20 | 055716 | B11-58 | 056802 | B1-44 | 058233 | B3-135 | 059704 | B5-48 |
| | | 053042 | B4-20 | 055734 | B11-58 | 056803 | B1-44 | 058262 | B3-133 | 059705 | B5-34 |
| | | 053045 | B5-58 | 055740 | B11-58 | 056804 | B1-44 | 058263 | B3-133 | 059722 | B1-18 |
| | | 053047 | B4-20 | 055805 | B6-61 | 056805 | B1-44 | 058275 | B4-20 | 059737 | B3-133 |

PART NUMBER INDEX



Take-Up Frames

Engineering

Index

| Part No. | Page | Part No. | Page | Part No. | Page | Part No. | Page | Part No. | Page | Part No. | Page |
|----------|--------------|----------|-----------------------|----------|--------------|----------|--------------|----------|-------|----------|-------|
| 059754 | B5-58 | 062829 | B3-133 | 064147 | B1-38 | 065302 | B7-13 | 066250 | B7-32 | 066365 | B7-35 |
| 059758 | B5-50 | 062837 | B1-18 | 064149 | B3-122 | 065303 | B7-13 | 066252 | B7-32 | 066366 | B7-35 |
| 059798 | B1-22 | 062861 | B2-14 | 064149 | B3-126 | 065304 | B7-16 | 066253 | B7-32 | 066367 | B7-35 |
| 059799 | B1-22 | 062874 | B1-22 | 064178 | B4-56 | 065305 | B7-16 | 066254 | B7-32 | 066370 | B7-35 |
| 059821 | B3-133 | 062875 | B1-24 | 064211 | B2-34 | 065306 | B7-16 | 066256 | B7-32 | 066371 | B7-35 |
| 059823 | B1-42 | 062877 | B3-133 | 064230 | B4-10 | 065310 | B7-13 | 066257 | B7-32 | 066372 | B7-35 |
| 059844 | B3-135 | 062879 | B1-22 | 064289 | B4-36 | 065311 | B7-11 | 066258 | B7-32 | 066373 | B7-35 |
| 059850 | B5-22 | 062880 | B5-54 | 064300 | B5-48, B5-50 | 065312 | B7-11 | 066260 | B7-35 | 066374 | B7-35 |
| 059857 | B5-22 | 062881 | B5-50 | 064430 | B5-44 | 065313 | B7-11 | 066261 | B7-35 | 066375 | B7-35 |
| 059869 | B1-84, B5-60 | 062893 | B4-38 | 064463 | B2-14 | 065314 | B7-11 | 066262 | B7-32 | 066377 | B7-35 |
| 059870 | B1-20 | 062899 | B4-56 | 064472 | B2-34, B2-40 | 065315 | B7-11 | 066263 | B7-32 | 066378 | B7-35 |
| 059880 | B5-44 | 062901 | B1-62 | 064473 | B5-24 | 065316 | B7-11 | 066266 | B7-32 | 066379 | B7-35 |
| 059882 | B5-14 | 062913 | B1-44 | 064483 | B4-30 | 065317 | B7-11 | 066268 | B7-35 | 066381 | B7-35 |
| 059954 | B3-134 | 062945 | B4-40 | 064497 | B2-24 | 065530 | B4-44 | 066269 | B7-32 | 066382 | B7-35 |
| 060578 | B6-47 | 062958 | B2-14 | 064503 | B1-38 | 065551 | B5-64 | 066270 | B7-32 | 066384 | B7-35 |
| 060579 | B6-47 | 062978 | B2-12 | 064535 | B5-64 | 065555 | B4-56 | 066271 | B7-32 | 066385 | B7-35 |
| 060745 | B6-47 | 062993 | B2-12 | 064536 | B4-28 | 065597 | B2-26 | 066272 | B7-35 | 066386 | B7-35 |
| 060746 | B6-47 | 062994 | B1-44 | 064557 | B3-134 | 065598 | B2-20 | 066273 | B7-32 | 066388 | B7-35 |
| 060747 | B6-47 | 063359 | B7-57 | 064572 | B1-18 | 065600 | B1-66 | 066274 | B7-35 | 066389 | B7-35 |
| 060748 | B6-47 | 063360 | B7-57 | 064584 | B1-60 | 065607 | B2-54 | 066276 | B7-35 | 066400 | B7-35 |
| 060749 | B6-47 | 063361 | B7-57 | 064624 | B5-30 | 065616 | B4-10 | 066278 | B7-35 | 066403 | B7-35 |
| 060750 | B6-47 | 063362 | B7-57 | 064670 | B2-60 | 065620 | B2-14 | 066279 | B7-41 | 066405 | B7-35 |
| 060751 | B6-47 | 063363 | B7-57 | 064684 | B2-28 | 065634 | B4-64 | 066280 | B7-41 | 066406 | B7-35 |
| 060752 | B6-47 | 063364 | B7-57 | 064698 | B5-48 | 065635 | B4-32 | 066281 | B7-41 | 066407 | B7-35 |
| 060753 | B6-47 | 063365 | B7-57 | 064735 | B5-30 | 065636 | B4-22 | 066282 | B7-41 | 066409 | B7-35 |
| 060754 | B6-47 | 063366 | B7-57 | 064750 | B4-40 | 065655 | B1-18 | 066283 | B7-41 | 066411 | B7-35 |
| 060755 | B6-47 | 063368 | B7-57 | 064762 | B4-56 | 065658 | B5-22 | 066284 | B7-41 | 066412 | B7-35 |
| 060756 | B6-47 | 063369 | B7-57 | 064794 | B2-20 | 065666 | B4-56 | 066285 | B7-41 | 066413 | B7-35 |
| 060905 | B11-118 | 063389 | B7-57 | 064825 | B5-10 | 065694 | B1-40 | 066286 | B7-41 | 066414 | B7-35 |
| 060906 | B11-118 | 063390 | B7-57 | 064839 | B1-18 | 065770 | B5-24 | 066287 | B7-41 | 066415 | B7-35 |
| 061082 | B7-21 | 063392 | B7-57 | 064841 | B2-14 | 065771 | B5-24 | 066288 | B7-41 | 066417 | B7-35 |
| 061083 | B7-21 | 063393 | B7-57 | 064865 | B3-122 | 065776 | B2-20 | 066289 | B7-41 | 066418 | B7-35 |
| 061084 | B7-21 | 063394 | B7-57 | 064874 | B2-20 | 065777 | B2-20 | 066290 | B7-41 | 066419 | B7-35 |
| 061085 | B7-21 | 063395 | B7-57 | 064875 | B2-20 | 065780 | B1-64 | 066291 | B7-41 | 066421 | B7-35 |
| 061086 | B7-21 | 063396 | B7-57 | 064882 | B4-10 | 065784 | B5-10, B5-18 | 066292 | B7-41 | 066422 | B7-35 |
| 061087 | B7-21 | 063398 | B7-57 | 064890 | B5-48 | 065786 | B1-42 | 066293 | B7-41 | 066424 | B7-35 |
| 062040 | B7-47 | 063399 | B7-57 | 064910 | B4-28 | 065945 | B1-66 | 066294 | B7-41 | 066425 | B7-35 |
| 062070 | B7-47 | 063411 | B7-57 | 064929 | B4-48 | 065969 | B2-28 | 066295 | B7-41 | 066426 | B7-35 |
| 062143 | B5-12 | 063420 | B7-59 | 064993 | B1-62 | 066212 | B7-32 | 066296 | B7-41 | 066428 | B7-35 |
| 062152 | B5-36 | 063421 | B7-59 | 064994 | B1-16 | 066213 | B7-32 | 066297 | B7-41 | 066429 | B7-35 |
| 062157 | B3-134 | 063422 | B7-59 | 065238 | B7-11 | 066214 | B5-14, B7-32 | 066298 | B7-41 | 066444 | B7-35 |
| 062182 | B3-134 | 063424 | B7-59 | 065244 | B7-11 | 066215 | B7-32 | 066299 | B7-41 | 066445 | B7-41 |
| 062184 | B5-48 | 063426 | B7-59 | 065258 | B7-16 | 066216 | B7-32 | 066300 | B7-32 | 066446 | B7-41 |
| 062187 | B5-10 | 063429 | B7-59 | 065260 | B7-16 | 066217 | B7-32 | 066301 | B7-32 | 066447 | B7-41 |
| 062263 | B5-38 | 063450 | B7-59 | 065262 | B7-16 | 066218 | B7-32 | 066302 | B7-32 | 066448 | B7-41 |
| 062281 | B5-44 | 063451 | B7-59 | 065265 | B7-16 | 066220 | B7-32 | 066303 | B7-32 | 066450 | B7-41 |
| 062285 | B5-50 | 063452 | B7-59 | 065268 | B7-16 | 066222 | B7-32 | 066304 | B7-32 | 066451 | B7-41 |
| 062306 | B5-48 | 063454 | B7-59 | 065270 | B7-16 | 066223 | B7-32 | 066305 | B7-32 | 066455 | B7-41 |
| 062307 | B4-28 | 063456 | B7-59 | 065271 | B7-16 | 066224 | B7-35 | 066306 | B7-32 | 066456 | B7-41 |
| 062309 | B3-134 | 063459 | B7-59 | 065274 | B7-16 | 066225 | B7-35 | 066307 | B7-32 | 066457 | B7-41 |
| 062317 | B1-54 | 063500 | B14-41 | 065282 | B7-16 | 066226 | B7-32 | 066308 | B7-32 | 066458 | B7-41 |
| 062337 | B4-58 | 063575 | B14-41 | 065283 | B7-16 | 066228 | B7-32 | 066309 | B7-32 | 066459 | B7-41 |
| 062339 | B4-58 | 063694 | B6-61, B10-67, B11-58 | 065284 | B7-16 | 066230 | B7-32 | 066310 | B7-32 | 066460 | B7-41 |
| 062340 | B1-66 | 063765 | B10-66 | 065285 | B7-16 | 066231 | B7-35 | 066311 | B7-32 | 066461 | B7-41 |
| 062373 | B5-42 | 063766 | B10-66 | 065286 | B7-16 | 066232 | B7-32 | 066312 | B7-41 | 066463 | B7-41 |
| 062439 | B4-40 | 063767 | B10-66 | 065287 | B7-16 | 066234 | B7-32 | 066314 | B7-35 | 066464 | B7-41 |
| 062443 | B5-56 | 063767 | B10-66 | 065288 | B7-16 | 066235 | B7-35 | 066315 | B7-41 | 066465 | B7-41 |
| 062454 | B4-44 | 063768 | B10-66 | 065289 | B7-11 | 066236 | B7-32 | 066316 | B7-41 | 066466 | B7-41 |
| 062497 | B4-42 | 063769 | B10-66 | 065290 | B7-11 | 066237 | B7-32 | 066317 | B7-41 | 066467 | B7-41 |
| 062500 | B4-18 | 063770 | B10-66 | 065291 | B7-11 | 066238 | B7-35 | 066318 | B7-41 | 066468 | B7-41 |
| 062525 | B5-28 | 063771 | B10-67 | 065292 | B7-11 | 066240 | B7-35 | 066319 | B7-41 | 066469 | B7-41 |
| 062542 | B1-66 | 063772 | B10-67 | 065293 | B7-11 | 066242 | B7-35 | 066320 | B7-41 | 066471 | B7-41 |
| 062570 | B3-126 | 063773 | B10-67 | 065294 | B7-11 | 066243 | B7-32 | 066321 | B7-41 | 066472 | B7-41 |
| 062572 | B3-133 | 063774 | B10-67 | 065295 | B7-11 | 066244 | B7-35 | 066322 | B7-41 | 066473 | B7-41 |
| 062682 | B2-14 | 063775 | B10-67 | 065296 | B7-11 | 066245 | B7-35 | 066324 | B7-41 | 066475 | B7-41 |
| 062702 | B5-50 | 063776 | B10-67 | 065297 | B7-11 | 066246 | B7-32 | 066325 | B7-41 | 066476 | B7-41 |
| 062741 | B2-18 | 064064 | B1-18 | 065298 | B7-13 | 066247 | B7-32 | 066326 | B7-41 | 066478 | B7-41 |
| 062742 | B2-18 | 064079 | B2-36 | 065299 | B7-13 | 066248 | B7-32 | 066360 | B7-35 | 066479 | B7-41 |
| 062779 | B3-134 | 064096 | B4-56 | 065300 | B7-13 | 066249 | B7-32 | 066363 | B7-35 | 066480 | B7-41 |

PART NUMBER INDEX



| Part No. | Page | Part No. | Page | Part No. | Page | Part No. | Page | Part No. | Page | Part No. | Page |
|----------|-------|----------|--------|----------|-----------------------|----------|--------|----------|--------|----------|--------|
| 066482 | B7-41 | 066584 | B7-41 | 067155 | B7-46 | 068205 | B4-16 | 069061 | B7-16 | 069406 | B10-21 |
| 066483 | B7-41 | 066585 | B7-41 | 067156 | B7-46 | 068206 | B4-16 | 069062 | B7-16 | 069407 | B10-21 |
| 066484 | B7-41 | 066587 | B7-41 | 067157 | B7-46 | 068207 | B4-48 | 069063 | B7-16 | 069408 | B10-21 |
| 066485 | B7-41 | 066588 | B7-41 | 067159 | B7-46 | 068208 | B4-48 | 069064 | B7-16 | 069409 | B10-21 |
| 066486 | B7-41 | 066589 | B7-41 | 067164 | B7-46 | 068209 | B4-48 | 069065 | B7-16 | 069410 | B10-21 |
| 066487 | B7-41 | 066590 | B7-41 | 067234 | B6-61 | 068210 | B4-50 | 069066 | B7-16 | 069411 | B10-21 |
| 066488 | B7-41 | 066591 | B7-41 | 067323 | B6-61 | 068211 | B4-50 | 069067 | B7-16 | 069412 | B10-21 |
| 066489 | B7-41 | 066593 | B7-41 | 067326 | B11-58 | 068212 | B4-50 | 069069 | B7-16 | 069413 | B10-21 |
| 066499 | B7-41 | 066594 | B7-41 | 067340 | B6-61 | 068213 | B4-32 | 069340 | B10-57 | 069414 | B10-23 |
| 066500 | B7-41 | 066596 | B7-41 | 067342 | B6-61 | 068214 | B4-32 | 069341 | B10-57 | 069415 | B10-23 |
| 066501 | B7-41 | 066598 | B7-41 | 067343 | B6-61 | 068215 | B4-32 | 069342 | B10-57 | 069416 | B10-23 |
| 066502 | B7-41 | 066600 | B7-41 | 067344 | B6-61 | 068216 | B4-32 | 069343 | B10-57 | 069417 | B10-23 |
| 066503 | B7-41 | 066601 | B7-41 | 067345 | B6-61 | 068230 | B2-20 | 069344 | B10-57 | 069418 | B10-23 |
| 066504 | B7-41 | 066602 | B7-41 | 067346 | B6-61 | 068232 | B5-50 | 069345 | B10-57 | 069419 | B10-23 |
| 066506 | B7-41 | 066603 | B7-41 | 067347 | B6-61 | 068236 | B1-20 | 069346 | B10-57 | 069420 | B10-23 |
| 066507 | B7-41 | 066604 | B7-41 | 067348 | B6-61 | 068239 | B3-135 | 069347 | B10-57 | 069421 | B10-23 |
| 066509 | B7-41 | 066605 | B7-41 | 067350 | B6-61 | 068273 | B2-54 | 069348 | B10-57 | 069422 | B10-23 |
| 066510 | B7-41 | 066606 | B7-41 | 067352 | B6-61 | 068283 | B1-44 | 069349 | B10-57 | 069423 | B10-23 |
| 066511 | B7-41 | 066607 | B7-41 | 067353 | B6-61 | 068290 | B3-133 | 069350 | B10-57 | 069424 | B10-23 |
| 066512 | B7-41 | 066629 | B10-74 | 067354 | B6-61 | 068320 | B5-34 | 069351 | B10-57 | 069425 | B10-23 |
| 066513 | B7-41 | 066630 | B10-74 | 067355 | B6-61 | 068321 | B5-44 | 069352 | B10-57 | 069426 | B10-23 |
| 066514 | B7-41 | 066631 | B10-74 | 067356 | B6-61 | 068322 | B1-18 | 069353 | B10-57 | 069427 | B10-23 |
| 066515 | B7-41 | 066632 | B10-74 | 067357 | B6-61 | 068329 | B2-28 | 069354 | B10-59 | 069428 | B10-21 |
| 066516 | B7-41 | 066633 | B10-74 | 067501 | B11-58 | 068373 | B5-16 | 069355 | B10-59 | 069429 | B10-21 |
| 066517 | B7-41 | 066634 | B10-74 | 067503 | B11-58 | 068387 | B4-40 | 069356 | B10-59 | 069430 | B10-21 |
| 066519 | B7-41 | 066635 | B10-74 | 067509 | B11-58 | 068389 | B5-48 | 069357 | B10-59 | 069431 | B10-21 |
| 066520 | B7-41 | 066636 | B10-74 | 067511 | B11-58 | 068400 | B4-30 | 069358 | B10-59 | 069432 | B10-21 |
| 066521 | B7-41 | 066637 | B10-74 | 067517 | B11-58 | 068424 | B1-64 | 069359 | B10-59 | 069433 | B10-21 |
| 066522 | B7-41 | 066638 | B10-74 | 067519 | B11-58 | 068471 | B4-64 | 069360 | B10-59 | 069434 | B10-21 |
| 066523 | B7-41 | 066642 | B10-74 | 067520 | B11-58 | 068495 | B1-18 | 069361 | B10-59 | 069435 | B10-21 |
| 066524 | B7-41 | 066643 | B10-74 | 067521 | B11-58 | 068537 | B5-10 | 069362 | B10-59 | 069436 | B10-21 |
| 066526 | B7-41 | 066644 | B10-74 | 067576 | B6-61, B10-67, B11-58 | 068561 | B4-40 | 069363 | B10-59 | 069437 | B10-21 |
| 066527 | B7-41 | 067007 | B7-45 | 067601 | B4-38 | 068608 | B5-56 | 069364 | B10-59 | 069438 | B10-21 |
| 066528 | B7-41 | 067016 | B7-45 | 067630 | B1-20 | 068662 | B2-26 | 069365 | B10-59 | 069439 | B10-21 |
| 066530 | B7-41 | 067031 | B7-45 | 067630 | B1-20 | 068663 | B5-30 | 069366 | B10-59 | 069440 | B10-21 |
| 066531 | B7-41 | 067034 | B7-45 | 067678 | B1-16 | 068673 | B2-28 | 069367 | B10-59 | 069441 | B10-21 |
| 066533 | B7-41 | 067042 | B7-45 | 067710 | B3-133 | 068680 | B2-26 | 069368 | B10-57 | 069442 | B10-23 |
| 066534 | B7-41 | 067043 | B7-45 | 067713 | B2-12 | 068682 | B2-28 | 069369 | B10-57 | 069443 | B10-23 |
| 066535 | B7-41 | 067044 | B7-45 | 067726 | B5-46 | 068685 | B2-42 | 069370 | B10-57 | 069444 | B10-23 |
| 066537 | B7-41 | 067045 | B7-45 | 067774 | B3-134 | 068686 | B2-28 | 069371 | B10-57 | 069445 | B10-23 |
| 066538 | B7-41 | 067046 | B7-45 | 067777 | B2-14 | 068687 | B1-60 | 069372 | B10-57 | 069446 | B10-23 |
| 066539 | B7-41 | 067047 | B7-45 | 067783 | B5-10 | 068726 | B2-10 | 069373 | B10-57 | 069447 | B10-23 |
| 066540 | B7-41 | 067048 | B7-45 | 067830 | B3-134 | 068727 | B2-10 | 069374 | B10-57 | 069448 | B10-23 |
| 066541 | B7-41 | 067049 | B7-45 | 067839 | B1-20 | 068743 | B4-14 | 069375 | B10-57 | 069449 | B10-23 |
| 066542 | B7-41 | 067050 | B7-45 | 067865 | B2-12 | 068747 | B4-30 | 069376 | B10-57 | 069450 | B10-23 |
| 066543 | B7-41 | 067051 | B7-45 | 067902 | B3-120 | 068756 | B5-44 | 069377 | B10-57 | 069451 | B10-23 |
| 066544 | B7-41 | 067052 | B7-45 | 067903 | B5-44 | 068758 | B5-34 | 069378 | B10-57 | 069452 | B10-23 |
| 066559 | B7-41 | 067053 | B7-45 | 067910 | B2-12 | 068763 | B4-38 | 069379 | B10-57 | 069453 | B10-23 |
| 066560 | B7-41 | 067054 | B7-45 | 067919 | B1-18 | 068777 | B5-10 | 069380 | B10-57 | 069454 | B10-23 |
| 066561 | B7-41 | 067055 | B7-45 | 067926 | B4-28 | 068784 | B4-34 | 069381 | B10-57 | 069455 | B10-23 |
| 066562 | B7-41 | 067056 | B7-45 | 067958 | B5-24 | 068790 | B4-44 | 069382 | B10-59 | 069456 | B10-21 |
| 066563 | B7-41 | 067057 | B7-45 | 067996 | B1-18 | 068803 | B4-40 | 069383 | B10-59 | 069457 | B10-21 |
| 066564 | B7-41 | 067060 | B7-45 | 067997 | B5-24 | 068849 | B4-80 | 069384 | B10-59 | 069458 | B10-21 |
| 066566 | B7-41 | 067061 | B7-45 | 068061 | B5-14 | 068855 | B4-40 | 069385 | B10-59 | 069459 | B10-21 |
| 066567 | B7-41 | 067072 | B7-45 | 068066 | B3-134 | 068861 | B2-34 | 069386 | B10-59 | 069460 | B10-21 |
| 066569 | B7-41 | 067073 | B7-45 | 068071 | B2-24, B4-18 | 068864 | B4-24 | 069387 | B10-59 | 069461 | B10-21 |
| 066570 | B7-41 | 067075 | B7-45 | 068092 | B4-56 | 068865 | B2-28 | 069388 | B10-59 | 069462 | B10-21 |
| 066571 | B7-41 | 067078 | B7-45 | 068118 | B4-28 | 068866 | B4-32 | 069389 | B10-59 | 069463 | B10-21 |
| 066572 | B7-41 | 067100 | B7-45 | 068185 | B3-133 | 068867 | B4-34 | 069390 | B10-59 | 069464 | B10-21 |
| 066573 | B7-41 | 067103 | B7-45 | 068195 | B4-14 | 068871 | B2-26 | 069391 | B10-59 | 069465 | B10-21 |
| 066574 | B7-41 | 067120 | B7-45 | 068196 | B4-14 | 068872 | B2-20 | 069392 | B10-59 | 069466 | B10-21 |
| 066575 | B7-41 | 067123 | B7-45 | 068197 | B4-14 | 068878 | B2-42 | 069393 | B10-59 | 069467 | B10-21 |
| 066576 | B7-41 | 067135 | B7-45 | 068198 | B4-14 | 068889 | B3-126 | 069394 | B10-59 | 069468 | B10-21 |
| 066577 | B7-41 | 067138 | B7-45 | 068199 | B4-14 | 068901 | B4-36 | 069395 | B10-59 | 069469 | B10-21 |
| 066578 | B7-41 | 067149 | B7-46 | 068200 | B4-14 | 069034 | B7-16 | 069400 | B10-21 | 069470 | B10-23 |
| 066580 | B7-41 | 067151 | B7-46 | 068201 | B4-14 | 069039 | B7-16 | 069402 | B10-21 | 069471 | B10-23 |
| 066581 | B7-41 | 067152 | B7-46 | 068202 | B4-16 | 069045 | B7-16 | 069403 | B10-21 | 069472 | B10-23 |
| 066582 | B7-41 | 067153 | B7-46 | 068203 | B4-16 | 069046 | B7-16 | 069404 | B10-21 | 069473 | B10-23 |
| 066583 | B7-41 | 067154 | B7-46 | 068204 | B4-16 | 069060 | B7-16 | 069405 | B10-21 | 069474 | B10-23 |

PART NUMBER INDEX



Take-Up Frames

Engineering

Index

| Part No. | Page | Part No. | Page | Part No. | Page | Part No. | Page | Part No. | Page | Part No. | Page |
|----------|--------|----------|--------|----------|--------|----------|--------|----------|--------|----------|--------|
| 069475 | B10-23 | 069566 | B10-29 | 069652 | B10-37 | 069721 | B10-41 | 069790 | B10-41 | 069839 | B10-49 |
| 069476 | B10-23 | 069567 | B10-31 | 069653 | B10-37 | 069722 | B10-41 | 069791 | B10-43 | 069840 | B10-49 |
| 069477 | B10-23 | 069568 | B10-31 | 069654 | B10-37 | 069723 | B10-41 | 069792 | B10-43 | | B10-53 |
| 069478 | B10-23 | 069569 | B10-31 | 069655 | B10-37 | 069724 | B10-41 | 069793 | B10-43 | 069841 | B10-49 |
| 069479 | B10-23 | 069570 | B10-31 | 069656 | B10-37 | 069725 | B10-41 | 069794 | B10-43 | | B10-53 |
| 069480 | B10-23 | 069571 | B10-31 | 069657 | B10-37 | 069726 | B10-41 | 069795 | B10-43 | 069842 | B10-49 |
| 069481 | B10-23 | 069572 | B10-31 | 069658 | B10-37 | 069727 | B10-41 | 069796 | B10-43 | 069843 | B10-49 |
| 069482 | B10-23 | 069573 | B10-31 | 069659 | B10-37 | 069728 | B10-41 | 069797 | B10-43 | | B10-53 |
| 069483 | B10-23 | 069574 | B10-29 | 069660 | B10-37 | 069729 | B10-41 | 069798 | B10-43 | 069844 | B10-49 |
| 069498 | B10-23 | 069575 | B10-29 | 069661 | B10-37 | 069730 | B10-41 | 069799 | B10-43 | | B10-53 |
| 069499 | B10-23 | 069576 | B10-29 | 069662 | B10-37 | 069731 | B10-41 | 069800 | B10-43 | 069845 | B10-49 |
| 069500 | B10-23 | 069577 | B10-29 | 069663 | B10-39 | 069732 | B10-41 | 069801 | B10-43 | 069846 | B10-49 |
| 069501 | B10-23 | 069578 | B10-29 | 069664 | B10-39 | 069733 | B10-41 | 069802 | B10-43 | | B10-53 |
| 069502 | B10-23 | 069579 | B10-29 | 069665 | B10-39 | 069734 | B10-41 | 069803 | B10-43 | 069847 | B10-49 |
| 069503 | B10-23 | 069580 | B10-29 | 069666 | B10-39 | 069735 | B10-43 | 069804 | B10-43 | | B10-53 |
| 069504 | B10-23 | 069581 | B10-29 | 069667 | B10-39 | 069736 | B10-43 | 069805 | B10-49 | 069848 | B10-49 |
| 069505 | B10-23 | 069582 | B10-29 | 069668 | B10-39 | 069737 | B10-43 | 069806 | B10-49 | | B10-53 |
| 069506 | B10-23 | 069583 | B10-29 | 069669 | B10-39 | 069738 | B10-43 | 069807 | B10-49 | 069849 | B10-49 |
| 069507 | B10-23 | 069584 | B10-29 | 069670 | B10-39 | 069739 | B10-43 | 069808 | B10-49 | | B10-53 |
| 069508 | B10-23 | 069585 | B10-31 | 069671 | B10-39 | 069740 | B10-43 | | B10-53 | 069850 | B10-49 |
| 069509 | B10-23 | 069586 | B10-31 | 069672 | B10-37 | 069741 | B10-43 | 069809 | B10-49 | 069851 | B10-49 |
| 069510 | B10-23 | 069587 | B10-31 | 069673 | B10-37 | 069742 | B10-43 | | B10-53 | 069852 | B10-49 |
| 069511 | B10-23 | 069588 | B10-31 | 069674 | B10-37 | 069743 | B10-43 | 069810 | B10-49 | | B10-53 |
| 069520 | B10-29 | 069589 | B10-31 | 069675 | B10-37 | 069744 | B10-43 | 069811 | B10-49 | 069853 | B10-49 |
| 069521 | B10-29 | 069590 | B10-31 | 069676 | B10-37 | 069745 | B10-43 | | B10-53 | | B10-53 |
| 069522 | B10-29 | 069591 | B10-31 | 069677 | B10-37 | 069746 | B10-43 | 069812 | B10-49 | 069854 | B10-51 |
| 069523 | B10-29 | 069592 | B10-37 | 069678 | B10-37 | 069747 | B10-43 | | B10-53 | | B10-55 |
| 069524 | B10-29 | 069593 | B10-37 | 069679 | B10-37 | 069748 | B10-43 | 069813 | B10-49 | 069855 | B10-51 |
| 069525 | B10-29 | 069594 | B10-37 | 069680 | B10-37 | 069749 | B10-41 | 069814 | B10-49 | | B10-55 |
| 069526 | B10-29 | 069595 | B10-37 | 069681 | B10-37 | 069750 | B10-41 | | B10-53 | 069856 | B10-51 |
| 069527 | B10-29 | 069596 | B10-37 | 069682 | B10-37 | 069751 | B10-41 | 069815 | B10-49 | | B10-55 |
| 069528 | B10-29 | 069597 | B10-37 | 069683 | B10-37 | 069752 | B10-41 | | B10-53 | 069857 | B10-51 |
| 069529 | B10-29 | 069598 | B10-37 | 069684 | B10-39 | 069753 | B10-41 | 069816 | B10-49 | | B10-55 |
| 069530 | B10-29 | 069599 | B10-37 | 069685 | B10-39 | 069754 | B10-41 | | B10-53 | 069858 | B10-51 |
| 069531 | B10-31 | 069600 | B10-37 | 069686 | B10-39 | 069755 | B10-41 | 069817 | B10-49 | | B10-55 |
| 069532 | B10-31 | 069601 | B10-37 | 069687 | B10-39 | 069756 | B10-41 | | B10-53 | 069859 | B10-51 |
| 069533 | B10-31 | 069602 | B10-37 | 069688 | B10-39 | 069757 | B10-41 | 069818 | B10-49 | | B10-55 |
| 069534 | B10-31 | 069603 | B10-37 | 069689 | B10-39 | 069758 | B10-41 | 069819 | B10-49 | 069860 | B10-51 |
| 069535 | B10-31 | 069604 | B10-39 | 069690 | B10-39 | 069759 | B10-41 | 069820 | B10-49 | | B10-55 |
| 069536 | B10-31 | 069605 | B10-39 | 069691 | B10-39 | 069760 | B10-41 | | B10-53 | 069861 | B10-51 |
| 069537 | B10-31 | 069606 | B10-39 | 069692 | B10-39 | 069761 | B10-41 | 069821 | B10-49 | | B10-55 |
| 069538 | B10-29 | 069607 | B10-39 | 069693 | B10-41 | 069762 | B10-41 | | B10-53 | 069862 | B10-51 |
| 069539 | B10-29 | 069608 | B10-39 | 069694 | B10-41 | 069763 | B10-43 | 069822 | B10-51 | 069863 | B10-51 |
| 069540 | B10-29 | 069609 | B10-39 | 069695 | B10-41 | 069764 | B10-43 | | B10-55 | | B10-55 |
| 069541 | B10-29 | 069610 | B10-39 | 069696 | B10-41 | 069765 | B10-43 | 069823 | B10-51 | 069864 | B10-51 |
| 069542 | B10-29 | 069611 | B10-39 | 069697 | B10-41 | 069766 | B10-43 | | B10-55 | | B10-55 |
| 069543 | B10-29 | 069612 | B10-39 | 069698 | B10-41 | 069767 | B10-43 | 069824 | B10-51 | 069865 | B10-51 |
| 069544 | B10-29 | 069630 | B10-37 | 069699 | B10-41 | 069768 | B10-43 | | B10-55 | 069866 | B10-51 |
| 069545 | B10-29 | 069631 | B10-37 | 069700 | B10-41 | 069769 | B10-43 | 069825 | B10-51 | 069867 | B10-51 |
| 069546 | B10-29 | 069632 | B10-37 | 069701 | B10-41 | 069770 | B10-43 | | B10-55 | 069868 | B10-51 |
| 069547 | B10-29 | 069633 | B10-37 | 069702 | B10-41 | 069771 | B10-43 | 069826 | B10-51 | 069869 | B10-49 |
| 069548 | B10-29 | 069634 | B10-37 | 069703 | B10-41 | 069772 | B10-43 | | B10-55 | 069870 | B10-49 |
| 069549 | B10-31 | 069635 | B10-37 | 069704 | B10-41 | 069773 | B10-43 | 069827 | B10-51 | 069871 | B10-49 |
| 069550 | B10-31 | 069636 | B10-37 | 069705 | B10-41 | 069774 | B10-43 | | B10-55 | 069872 | B10-49 |
| 069551 | B10-31 | 069637 | B10-37 | 069706 | B10-41 | 069775 | B10-43 | 069828 | B10-51 | | B10-53 |
| 069552 | B10-31 | 069638 | B10-37 | 069707 | B10-43 | 069776 | B10-43 | | B10-55 | 069873 | B10-49 |
| 069553 | B10-31 | 069639 | B10-37 | 069708 | B10-43 | 069777 | B10-41 | 069829 | B10-51 | | B10-53 |
| 069554 | B10-31 | 069640 | B10-37 | 069709 | B10-43 | 069778 | B10-41 | | B10-55 | 069874 | B10-49 |
| 069555 | B10-31 | 069641 | B10-37 | 069710 | B10-43 | 069779 | B10-41 | 069830 | B10-51 | 069875 | B10-49 |
| 069556 | B10-29 | 069642 | B10-39 | 069711 | B10-43 | 069780 | B10-41 | 069831 | B10-51 | | B10-53 |
| 069557 | B10-29 | 069643 | B10-39 | 069712 | B10-43 | 069781 | B10-41 | | B10-55 | 069876 | B10-49 |
| 069558 | B10-29 | 069644 | B10-39 | 069713 | B10-43 | 069782 | B10-41 | 069832 | B10-51 | | B10-53 |
| 069559 | B10-29 | 069645 | B10-39 | 069714 | B10-43 | 069783 | B10-41 | | B10-55 | 069877 | B10-49 |
| 069560 | B10-29 | 069646 | B10-39 | 069715 | B10-43 | 069784 | B10-41 | 069833 | B10-51 | 069878 | B10-49 |
| 069561 | B10-29 | 069647 | B10-39 | 069716 | B10-43 | 069785 | B10-41 | | B10-51 | | B10-53 |
| 069562 | B10-29 | 069648 | B10-39 | 069717 | B10-43 | 069786 | B10-41 | 069835 | B10-51 | 069879 | B10-49 |
| 069563 | B10-29 | 069649 | B10-39 | 069718 | B10-43 | 069787 | B10-41 | | B10-51 | | B10-53 |
| 069564 | B10-29 | 069650 | B10-39 | 069719 | B10-43 | 069788 | B10-41 | 069837 | B10-49 | 069880 | B10-49 |
| 069565 | B10-29 | 069651 | B10-37 | 069720 | B10-43 | 069789 | B10-41 | 069838 | B10-49 | | B10-53 |

PART NUMBER INDEX



| Part No. | Page | Part No. | Page | Part No. | Page | Part No. | Page | Part No. | Page | Part No. | Page |
|----------|--------------|----------|----------------|----------|----------------|----------|----------------|----------|----------------|----------|--------|
| 070691 | B8-33 | 070815 | B8-41 | 070912 | B10-69 | 071008 | B10-35, B12-15 | 071043 | B10-35, B12-15 | 071139 | B10-27 |
| 070693 | B8-33 | 070817 | B8-41 | 070913 | B10-69 | | | | | 071140 | B10-27 |
| 070698 | B8-33, B8-35 | 070818 | B8-41 | 070914 | B10-69 | 071009 | B10-35, B12-15 | 071044 | B10-35, B12-15 | 071141 | B10-25 |
| 070699 | B8-33, B8-35 | 070819 | B8-41 | 070915 | B10-69 | | | | | 071142 | B10-25 |
| 070700 | B8-33 | 070821 | B8-41 | 070916 | B10-69 | 071010 | B10-35, B12-15 | 071045 | B10-35, B12-15 | 071143 | B10-25 |
| 070702 | B8-33, B8-35 | 070823 | B8-41 | 070917 | B10-69 | | | | | 071144 | B10-25 |
| 070703 | B8-33 | 070825 | B8-41 | 070918 | B10-69 | 071012 | B10-35, B12-15 | 071046 | B10-35, B12-15 | 071145 | B10-25 |
| 070704 | B8-33, B8-35 | 070827 | B8-41 | 070919 | B10-69 | | | | | 071146 | B10-25 |
| 070705 | B8-33, B8-35 | 070829 | B8-41 | 070920 | B10-69 | 071013 | B10-35, B12-15 | 071047 | B10-35, B12-15 | 071147 | B10-25 |
| 070706 | B8-33, B8-35 | 070830 | B8-41 | 070921 | B10-69 | | | | | 071148 | B10-25 |
| 070708 | B8-33, B8-35 | 070831 | B8-41 | 070922 | B10-69 | 071014 | B10-35, B12-15 | 071048 | B10-35, B12-15 | 071149 | B10-25 |
| 070710 | B8-33, B8-35 | 070833 | B8-41 | 070923 | B10-69 | | | | | 071150 | B10-25 |
| 070711 | B8-33, B8-35 | 070835 | B8-41 | 070924 | B10-69 | 071015 | B10-35, B12-15 | 071049 | B10-35, B12-15 | 071151 | B10-27 |
| 070712 | B8-33, B8-35 | 070836 | B8-41 | 070925 | B10-69 | | | | | 071152 | B10-27 |
| 070714 | B8-33, B8-35 | 070837 | B8-41 | 070926 | B10-71 | 071016 | B10-35, B12-15 | 071050 | B10-35, B12-15 | 071153 | B10-27 |
| 070716 | B8-33, B8-35 | 070839 | B8-41 | 070927 | B10-66, B10-71 | | | | | 071154 | B10-27 |
| 070718 | B8-33 | 070841 | B8-41 | | | 071017 | B10-35, B12-15 | 071051 | B10-35, B12-15 | 071155 | B10-27 |
| 070720 | B8-33 | 070843 | B8-41 | 070928 | B10-71 | | | | | 071156 | B10-27 |
| 070725 | B8-33, B8-35 | 070845 | B8-41 | 070929 | B10-71 | 071018 | B10-35, B12-15 | 071052 | B10-35, B12-15 | 071157 | B10-27 |
| 070726 | B8-33, B8-35 | 070853 | B8-29 | 070930 | B10-71 | | | | | 071158 | B10-27 |
| 070727 | B8-33 | 070854 | B8-29 | 070931 | B10-66, B10-71 | 071019 | B10-35, B12-15 | 071053 | B10-35, B12-15 | 071159 | B10-27 |
| 070729 | B8-33, B8-35 | 070855 | B8-29 | | | | | | | 071160 | B10-27 |
| 070730 | B8-33 | 070857 | B8-29 | 070932 | B10-71 | 071020 | B10-35, B12-15 | 071054 | B10-35, B12-15 | 071161 | B10-27 |
| 070731 | B8-33, B8-35 | 070858 | B8-29 | 070933 | B10-71 | | | | | 071162 | B10-25 |
| 070732 | B8-33, B8-35 | 070859 | B8-29 | 070934 | B10-71 | 071021 | B10-35, B12-15 | 071055 | B10-35, B12-15 | 071163 | B10-25 |
| 070733 | B8-33, B8-35 | 070860 | B8-29 | 070935 | B10-66, B10-71 | | | | | 071164 | B10-25 |
| 070735 | B8-33, B8-35 | 070861 | B8-29 | | | 071022 | B10-35, B12-15 | 071056 | B10-35, B12-15 | 071165 | B10-25 |
| 070737 | B8-33, B8-35 | 070863 | B8-29 | 070936 | B10-71 | | | | | 071166 | B10-25 |
| 070738 | B8-33, B8-35 | 070865 | B8-29 | 070937 | B10-71 | 071023 | B10-35, B12-15 | 071057 | B10-35, B12-15 | 071167 | B10-25 |
| 070739 | B8-33, B8-35 | 070866 | B8-29 | 070938 | B10-66, B10-71 | | | | | 071168 | B10-25 |
| 070741 | B8-33, B8-35 | 070867 | B8-29 | | | 071024 | B10-35, B12-15 | 071058 | B10-35, B12-15 | 071169 | B10-25 |
| 070743 | B8-33, B8-35 | 070869 | B8-29 | 070939 | B10-71 | | | | | 071170 | B10-25 |
| 070745 | B8-33 | 070871 | B8-29 | 070940 | B10-71 | 071025 | B10-35, B12-15 | 071059 | B10-35, B12-15 | 071171 | B10-25 |
| 070747 | B8-33 | 070880 | B10-69 | 070941 | B10-71 | | | | | 071172 | B10-27 |
| 070752 | B8-37 | 070881 | B10-69 | 070942 | B10-71 | 071026 | B10-35, B12-15 | 071060 | B10-35, B12-15 | 071173 | B10-27 |
| 070753 | B8-37 | 070882 | B10-69 | 070943 | B10-71 | | | | | 071174 | B10-27 |
| 070754 | B8-37 | 070883 | B10-69 | 070951 | B10-61 | 071027 | B10-35, B12-15 | 071061 | B10-35, B12-15 | 071175 | B10-27 |
| 070756 | B8-37 | 070884 | B10-69 | 070952 | B10-61 | | | | | 071176 | B10-27 |
| 070757 | B8-37 | 070885 | B10-69 | 070953 | B10-61 | 071028 | B10-35, B12-15 | 071062 | B10-35, B12-15 | 071177 | B10-27 |
| 070758 | B8-37 | 070886 | B10-69 | 070954 | B10-61 | | | | | 071178 | B10-27 |
| 070759 | B8-37 | 070887 | B10-69 | 070955 | B10-61 | 071029 | B10-35, B12-15 | 071063 | B10-35, B12-15 | 071179 | B10-27 |
| 070760 | B8-37 | 070888 | B10-69 | 070956 | B10-61 | | | | | 071180 | B10-27 |
| 070762 | B8-39 | 070889 | B10-69 | 070957 | B10-61 | 071030 | B10-35, B12-15 | 071064 | B10-35, B12-15 | 071181 | B10-27 |
| 070764 | B8-39 | 070890 | B10-69 | 070958 | B10-61 | | | | | 071182 | B10-27 |
| 070765 | B8-39 | 070891 | B10-69 | 070959 | B10-61 | 071031 | B10-35, B12-15 | 071065 | B10-35, B12-15 | 071183 | B10-25 |
| 070766 | B8-39 | 070892 | B10-69 | 070960 | B10-61 | | | | | 071184 | B10-25 |
| 070768 | B8-39 | 070893 | B10-69 | 070961 | B10-61 | 071032 | B10-35, B12-15 | 071066 | B10-35, B12-15 | 071185 | B10-25 |
| 070770 | B8-39 | 070894 | B10-71 | 070962 | B10-61 | | | | | 071186 | B10-25 |
| 070772 | B8-39 | 070895 | B10-66, B10-71 | 070963 | B10-61 | 071033 | B10-35, B12-15 | 071067 | B10-35, B12-15 | 071187 | B10-25 |
| 070774 | B8-39 | | | 070964 | B10-61 | | | | | 071188 | B10-25 |
| 070779 | B8-37 | 070896 | B10-71 | 070965 | B10-61 | 071034 | B10-35, B12-15 | 071120 | B10-25 | 071189 | B10-25 |
| 070780 | B8-37 | 070897 | B10-71 | 070966 | B10-61 | | | | | 071190 | B10-25 |
| 070781 | B8-37 | 070898 | B10-71 | 071000 | B10-35, B12-15 | 071035 | B10-35, B12-15 | 071121 | B10-25 | 071191 | B10-25 |
| 070783 | B8-37 | 070899 | B10-66, B10-71 | | | | | | | 071192 | B10-25 |
| 070784 | B8-37 | | | 071001 | B10-35, B12-15 | 071036 | B10-35, B12-15 | 071122 | B10-25 | 071193 | B10-27 |
| 070785 | B8-37 | 070900 | B10-71 | | | | | | | 071123 | B10-25 |
| 070786 | B8-37 | 070901 | B10-71 | 071002 | B10-35, B12-15 | 071037 | B10-35, B12-15 | 071124 | B10-25 | 071124 | B10-25 |
| 070787 | B8-37 | 070902 | B10-71 | | | | | | | 071125 | B10-25 |
| 070789 | B8-39 | 070903 | B10-66, B10-71 | 071003 | B10-35, B12-15 | 071038 | B10-35, B12-15 | 071126 | B10-25 | 071126 | B10-25 |
| 070791 | B8-39 | | | | | | | | | 071127 | B10-25 |
| 070792 | B8-39 | 070904 | B10-71 | 071004 | B10-35, B12-15 | 071039 | B10-35, B12-15 | 071128 | B10-25 | 071128 | B10-25 |
| 070793 | B8-39 | 070905 | B10-71 | | | | | | | 071129 | B10-25 |
| 070795 | B8-39 | 070906 | B10-66, B10-71 | 071005 | B10-35, B12-15 | 071040 | B10-35, B12-15 | 071130 | B10-27 | 071130 | B10-27 |
| 070797 | B8-39 | | | | | | | | | 071131 | B10-27 |
| 070799 | B8-39 | 070907 | B10-71 | 071006 | B10-35, B12-15 | 071041 | B10-35, B12-15 | 071132 | B10-27 | 071132 | B10-27 |
| 070801 | B8-39 | 070908 | B10-71 | | | | | | | 071133 | B10-27 |
| 070811 | B8-41 | 070909 | B10-71 | 071007 | B10-35, B12-15 | 071042 | B10-35, B12-15 | 071134 | B10-27 | 071134 | B10-27 |
| 070812 | B8-41 | 070910 | B10-71 | | | | | | | 071135 | B10-27 |
| 070813 | B8-41 | 070911 | B10-71 | | | | | | | 071136 | B10-27 |
| | | | | | | | | | | 071137 | B10-27 |
| | | | | | | | | | | 071138 | B10-27 |

PART NUMBER INDEX



| Part No. | Page | Part No. | Page | Part No. | Page | Part No. | Page | Part No. | Page | Part No. | Page |
|----------|--------|----------|--------|----------|--------|----------|-------|----------|--------|----------|--------|
| 071208 | B10-33 | 071277 | B10-55 | 071346 | B10-45 | 071416 | B8-21 | 071500 | B8-31 | 071632 | B10-33 |
| 071209 | B10-33 | 071278 | B10-55 | 071347 | B10-45 | 071417 | B8-21 | 071501 | B8-31 | 071633 | B10-33 |
| 071210 | B10-33 | 071279 | B10-55 | 071348 | B10-47 | 071418 | B8-21 | 071502 | B8-31 | 071634 | B10-33 |
| 071211 | B10-33 | 071280 | B10-55 | 071349 | B10-47 | 071419 | B8-21 | 071503 | B8-31 | 071635 | B10-33 |
| 071212 | B10-33 | 071281 | B10-55 | 071350 | B10-47 | 071420 | B8-21 | 071504 | B8-31 | 071636 | B10-33 |
| 071213 | B10-33 | 071282 | B10-55 | 071351 | B10-47 | 071421 | B8-21 | 071505 | B8-31 | 071637 | B10-33 |
| 071214 | B10-33 | 071283 | B10-55 | 071352 | B10-47 | 071433 | B8-25 | 071506 | B8-31 | 071638 | B10-33 |
| 071215 | B10-33 | 071284 | B10-55 | 071353 | B10-47 | 071434 | B8-25 | 071507 | B8-31 | 071639 | B10-33 |
| 071216 | B10-33 | 071285 | B10-55 | 071354 | B10-47 | 071435 | B8-25 | 071508 | B8-31 | 071640 | B10-33 |
| 071217 | B10-33 | 071286 | B10-55 | 071355 | B10-47 | 071436 | B8-25 | 071509 | B8-31 | 071641 | B10-33 |
| 071218 | B10-33 | 071287 | B10-55 | 071356 | B10-47 | 071437 | B8-25 | 071510 | B8-31 | 079023 | B15-42 |
| 071219 | B10-33 | 071288 | B10-45 | 071357 | B10-47 | 071438 | B8-25 | 071511 | B8-31 | 079026 | B15-42 |
| 071220 | B10-33 | 071289 | B10-45 | 071358 | B10-47 | 071439 | B8-25 | 071512 | B8-31 | 079029 | B15-42 |
| 071221 | B10-33 | 071290 | B10-45 | 071359 | B10-47 | 071440 | B8-25 | 071513 | B8-31 | 079032 | B15-42 |
| 071222 | B10-33 | 071291 | B10-45 | 071360 | B10-47 | 071441 | B8-25 | 071514 | B8-31 | 079035 | B15-42 |
| 071223 | B10-33 | 071292 | B10-45 | 071361 | B10-47 | 071442 | B8-25 | 071515 | B8-31 | 079038 | B15-42 |
| 071224 | B10-33 | 071293 | B10-45 | 071362 | B10-47 | 071443 | B8-25 | 071516 | B8-31 | 079041 | B15-42 |
| 071225 | B10-33 | 071294 | B10-45 | 071364 | B10-45 | 071444 | B8-25 | 071517 | B8-31 | 079044 | B15-42 |
| 071226 | B10-33 | 071295 | B10-45 | 071365 | B10-45 | 071445 | B8-25 | 071518 | B8-31 | 079080 | B15-42 |
| 071227 | B10-33 | 071296 | B10-45 | 071366 | B10-45 | 071446 | B8-25 | 071519 | B8-31 | 079081 | B15-42 |
| 071228 | B10-33 | 071297 | B10-45 | 071367 | B10-45 | 071447 | B8-25 | 071520 | B8-31 | 079082 | B15-42 |
| 071229 | B10-33 | 071298 | B10-47 | 071368 | B10-45 | 071448 | B8-25 | 071521 | B8-35 | 079083 | B15-42 |
| 071230 | B10-33 | 071299 | B10-47 | 071369 | B10-45 | 071449 | B8-25 | 071522 | B8-35 | 079084 | B15-42 |
| 071231 | B10-33 | 071300 | B10-47 | 071370 | B10-45 | 071450 | B8-25 | 071523 | B8-35 | 079086 | B15-42 |
| 071232 | B10-33 | 071301 | B10-47 | 071371 | B10-45 | 071451 | B8-25 | 071524 | B8-35 | 079087 | B15-42 |
| 071233 | B10-33 | 071302 | B10-47 | 071372 | B10-45 | 071452 | B8-25 | 071525 | B8-35 | 079088 | B15-42 |
| 071234 | B10-33 | 071303 | B10-47 | 071373 | B10-45 | 071453 | B8-25 | 071526 | B8-35 | 079089 | B15-42 |
| 071235 | B10-33 | 071304 | B10-47 | 071374 | B10-47 | 071454 | B8-25 | 071527 | B8-35 | 079090 | B15-42 |
| 071236 | B10-33 | 071305 | B10-47 | 071375 | B10-47 | 071455 | B8-25 | 071528 | B8-35 | 087172 | B7-11 |
| 071237 | B10-33 | 071306 | B10-47 | 071376 | B10-47 | 071456 | B8-25 | 071576 | B10-53 | 087178 | B7-11 |
| 071238 | B10-33 | 071307 | B10-47 | 071377 | B10-47 | 071457 | B8-25 | 071577 | B10-53 | 087180 | B7-11 |
| 071239 | B10-33 | 071308 | B10-47 | 071378 | B10-47 | 071458 | B8-25 | 071578 | B10-53 | 087181 | B7-11 |
| 071240 | B10-33 | 071309 | B10-47 | 071379 | B10-47 | 071459 | B8-25 | 071579 | B10-53 | 087182 | B7-11 |
| 071241 | B10-33 | 071310 | B10-47 | 071380 | B10-47 | 071460 | B8-25 | 071580 | B10-53 | 087183 | B7-11 |
| 071242 | B10-33 | 071311 | B10-47 | 071381 | B10-47 | 071461 | B8-25 | 071581 | B10-53 | 087184 | B7-11 |
| 071243 | B10-33 | 071312 | B10-47 | 071382 | B10-47 | 071462 | B8-25 | 071582 | B10-53 | 087185 | B7-11 |
| 071244 | B10-33 | 071313 | B10-45 | 071383 | B10-47 | 071463 | B8-25 | 071583 | B10-53 | 087186 | B7-11 |
| 071245 | B10-33 | 071314 | B10-45 | 071384 | B10-47 | 071464 | B8-25 | 071584 | B10-53 | 087187 | B7-11 |
| 071246 | B10-33 | 071315 | B10-45 | 071385 | B10-47 | 071469 | B8-31 | 071585 | B10-53 | 087188 | B7-13 |
| 071247 | B10-33 | 071316 | B10-45 | 071386 | B10-47 | 071470 | B8-31 | 071586 | B10-53 | 087189 | B7-13 |
| 071248 | B10-33 | 071317 | B10-45 | 071387 | B10-47 | 071471 | B8-31 | 071587 | B10-53 | 087190 | B7-13 |
| 071249 | B10-33 | 071318 | B10-45 | 071388 | B10-47 | 071472 | B8-31 | 071590 | B10-69 | 087191 | B7-13 |
| 071250 | B10-33 | 071319 | B10-45 | 071389 | B8-21 | 071473 | B8-31 | 071591 | B10-69 | 087192 | B7-13 |
| 071251 | B10-33 | 071320 | B10-45 | 071390 | B8-21 | 071474 | B8-31 | 071592 | B10-71 | 087193 | B7-13 |
| 071252 | B10-33 | 071321 | B10-45 | 071391 | B8-21 | 071475 | B8-31 | 071593 | B10-69 | 087194 | B7-16 |
| 071253 | B10-33 | 071322 | B10-45 | 071392 | B8-21 | 071476 | B8-31 | 071594 | B10-69 | 087195 | B7-16 |
| 071254 | B10-33 | 071323 | B10-47 | 071393 | B8-21 | 071477 | B8-31 | 071595 | B10-71 | 087196 | B7-16 |
| 071255 | B10-33 | 071324 | B10-47 | 071394 | B8-21 | 071478 | B8-31 | 071610 | B10-33 | 087197 | B7-16 |
| 071256 | B10-33 | 071325 | B10-47 | 071395 | B8-21 | 071479 | B8-31 | 071611 | B10-33 | 087198 | B7-16 |
| 071257 | B10-33 | 071326 | B10-47 | 071396 | B8-21 | 071480 | B8-31 | 071612 | B10-33 | 087199 | B7-16 |
| 071258 | B10-33 | 071327 | B10-47 | 071397 | B8-21 | 071481 | B8-31 | 071613 | B10-33 | 087200 | B7-16 |
| 071259 | B10-33 | 071328 | B10-47 | 071398 | B8-21 | 071482 | B8-31 | 071614 | B10-33 | 087205 | B7-16 |
| 071260 | B10-33 | 071329 | B10-47 | 071399 | B8-21 | 071483 | B8-31 | 071615 | B10-33 | 087207 | B7-16 |
| 071261 | B10-33 | 071330 | B10-47 | 071400 | B8-21 | 071484 | B8-31 | 071616 | B10-33 | 087209 | B7-16 |
| 071262 | B10-33 | 071331 | B10-47 | 071401 | B8-21 | 071485 | B8-31 | 071617 | B10-33 | 087210 | B7-16 |
| 071263 | B10-33 | 071332 | B10-47 | 071402 | B8-21 | 071486 | B8-31 | 071618 | B10-33 | 087211 | B7-16 |
| 071264 | B10-33 | 071333 | B10-47 | 071403 | B8-21 | 071487 | B8-31 | 071619 | B10-33 | 087212 | B7-16 |
| 071265 | B10-33 | 071334 | B10-47 | 071404 | B8-21 | 071488 | B8-31 | 071620 | B10-33 | 087215 | B7-16 |
| 071266 | B10-33 | 071335 | B10-47 | 071405 | B8-21 | 071489 | B8-31 | 071621 | B10-33 | 087218 | B7-16 |
| 071267 | B10-33 | 071336 | B10-47 | 071406 | B8-21 | 071490 | B8-31 | 071622 | B10-33 | 087220 | B7-16 |
| 071268 | B10-33 | 071337 | B10-47 | 071407 | B8-21 | 071491 | B8-31 | 071623 | B10-33 | 087221 | B7-16 |
| 071269 | B10-33 | 071338 | B10-45 | 071408 | B8-21 | 071492 | B8-31 | 071624 | B10-33 | 087222 | B7-16 |
| 071270 | B10-33 | 071339 | B10-45 | 071409 | B8-21 | 071493 | B8-31 | 071625 | B10-33 | 087224 | B7-16 |
| 071271 | B10-33 | 071340 | B10-45 | 071410 | B8-21 | 071494 | B8-31 | 071626 | B10-33 | 087225 | B7-16 |
| 071272 | B10-55 | 071341 | B10-45 | 071411 | B8-21 | 071495 | B8-31 | 071627 | B10-33 | 087262 | B7-11 |
| 071273 | B10-55 | 071342 | B10-45 | 071412 | B8-21 | 071496 | B8-31 | 071628 | B10-33 | 087263 | B7-11 |
| 071274 | B10-55 | 071343 | B10-45 | 071413 | B8-21 | 071497 | B8-31 | 071629 | B10-33 | 087264 | B7-11 |
| 071275 | B10-55 | 071344 | B10-45 | 071414 | B8-21 | 071498 | B8-31 | 071630 | B10-33 | 087265 | B7-11 |
| 071276 | B10-55 | 071345 | B10-45 | 071415 | B8-21 | 071499 | B8-31 | 071631 | B10-33 | 087266 | B7-11 |

PART NUMBER INDEX



Take-Up Frames

Engineering

Index

| Part No. | Page | Part No. | Page | Part No. | Page | Part No. | Page | Part No. | Page | Part No. | Page |
|----------|--------|----------|-------|----------|-------|----------|--------------|----------|--------------|----------|-------|
| 087267 | B7-11 | 104037 | B7-38 | 125005 | B1-82 | 125728 | B4-52 | 126633 | B1-84, B5-60 | 127524 | B1-42 |
| 087268 | B7-11 | 104038 | B7-38 | 125529 | B4-34 | 125730 | B4-34 | 126634 | B1-84, B5-60 | 127525 | B1-42 |
| 087269 | B7-11 | 104039 | B7-38 | 125625 | B4-76 | 125731 | B4-34 | 126635 | B1-84, B5-60 | 127526 | B1-42 |
| 089020 | B15-31 | 104040 | B7-14 | 125626 | B4-76 | 125732 | B4-34 | 126636 | B5-60 | 127527 | B1-42 |
| 089021 | B15-31 | 104041 | B7-14 | 125627 | B4-76 | 125733 | B4-34 | 126637 | B5-60 | 127528 | B1-42 |
| 089022 | B15-31 | 104042 | B7-14 | 125628 | B4-76 | 125734 | B4-34 | 126638 | B5-60 | 127529 | B1-42 |
| 089023 | B15-31 | 104043 | B7-14 | 125629 | B4-76 | 125735 | B4-34 | 126639 | B5-14, B5-16 | 127530 | B1-42 |
| 089024 | B15-31 | 104044 | B7-14 | 125630 | B4-78 | 125736 | B4-34 | 126640 | B5-16 | 127531 | B1-42 |
| 089025 | B15-31 | 104045 | B7-14 | 125631 | B4-78 | 125737 | B4-34 | 126641 | B5-26 | 127532 | B1-42 |
| 089026 | B15-31 | 104046 | B7-14 | 125632 | B4-78 | 125873 | B1-82 | 126642 | B5-38 | 127533 | B1-54 |
| 089027 | B15-32 | 104050 | B7-14 | 125633 | B4-78 | 125874 | B1-82 | 126643 | B5-38 | 127534 | B1-54 |
| 089028 | B15-31 | 104051 | B7-14 | 125634 | B4-78 | 126121 | B2-68 | 126644 | B5-64 | 127535 | B1-54 |
| 089029 | B15-31 | 104052 | B7-14 | 125635 | B4-78 | 126415 | B4-18 | 126645 | B5-64 | 127536 | B1-54 |
| 089030 | B15-31 | 104053 | B7-14 | 125644 | B4-82 | 126416 | B4-18 | 126646 | B5-24 | 127537 | B1-54 |
| 089031 | B15-31 | 104054 | B7-14 | 125645 | B4-82 | 126417 | B4-18 | 126647 | B5-24 | 127538 | B1-54 |
| 089032 | B15-31 | 104055 | B7-14 | 125646 | B4-82 | 126418 | B4-18 | 126648 | B5-24 | 127539 | B1-76 |
| 089033 | B15-31 | 104056 | B7-14 | 125647 | B4-82 | 126419 | B4-18 | 126649 | B5-24 | 127540 | B1-76 |
| 089034 | B15-31 | 104078 | B7-14 | 125648 | B4-82 | 126450 | B5-14 | 126650 | B5-24 | 127541 | B1-76 |
| 089035 | B15-31 | 104090 | B7-14 | 125649 | B4-82 | 126451 | B5-14 | 126651 | B5-24 | 127542 | B1-76 |
| 089036 | B15-31 | 104106 | B7-14 | 125650 | B4-82 | 126452 | B5-14 | 126652 | B5-24 | 127543 | B1-76 |
| 089037 | B15-31 | 104119 | B7-14 | 125651 | B4-82 | 126453 | B5-14 | 126653 | B5-40 | 127544 | B1-76 |
| 089038 | B15-31 | 104160 | B7-38 | 125652 | B4-82 | 126454 | B5-14 | 126654 | B5-40 | 127545 | B1-18 |
| 089039 | B15-31 | 104161 | B7-38 | 125655 | B4-10 | 126475 | B4-80 | 126655 | B5-40 | 127546 | B1-18 |
| 089040 | B15-31 | 104162 | B7-38 | 125656 | B4-10 | 126476 | B4-80 | 126656 | B5-40 | 127547 | B1-18 |
| 089041 | B15-31 | 104164 | B7-38 | 125657 | B4-10 | 126477 | B4-80 | 126657 | B5-40 | 127548 | B1-18 |
| 089042 | B15-31 | 104169 | B7-38 | 125658 | B4-10 | 126478 | B4-80 | 126658 | B5-40 | 127549 | B1-18 |
| 089043 | B15-31 | 1041710 | B7-38 | 125659 | B4-10 | 126479 | B4-80 | 126659 | B5-40 | 127550 | B1-18 |
| 089044 | B15-31 | 104172 | B7-38 | 125660 | B4-16 | 126480 | B5-62 | 126660 | B5-42 | 127551 | B1-18 |
| 089045 | B15-31 | 104173 | B7-38 | 125661 | B4-12 | 126481 | B5-62 | 126661 | B5-40 | 127552 | B1-32 |
| 089046 | B15-31 | 104176 | B7-38 | 125662 | B4-12 | 126482 | B5-62 | 126685 | B1-84, B5-60 | 127553 | B1-32 |
| 089047 | B15-31 | 104177 | B7-38 | 125663 | B4-12 | 126483 | B5-62 | 126686 | B1-84, B5-60 | 127554 | B1-32 |
| 089048 | B15-31 | 104181 | B7-38 | 125664 | B4-12 | 126484 | B5-62 | 126687 | B1-84, B5-60 | 127555 | B1-32 |
| 089150 | B15-31 | 104195 | B7-38 | 125665 | B4-12 | 126485 | B5-62 | 126688 | B1-84, B5-60 | 127556 | B1-64 |
| 089151 | B15-31 | 104196 | B7-38 | 125666 | B4-48 | 126486 | B5-62 | 126689 | B1-84, B5-60 | 127557 | B1-64 |
| 089152 | B15-31 | 104197 | B7-38 | 125667 | B4-48 | 126487 | B5-62 | 126690 | B1-84, B5-60 | 127558 | B1-64 |
| 089153 | B15-31 | 104199 | B7-38 | 125668 | B4-48 | 126488 | B5-62 | 126691 | B1-84, B5-60 | 127559 | B1-64 |
| 089154 | B15-31 | 104204 | B7-38 | 125669 | B4-48 | 126489 | B5-62 | 126692 | B1-84, B5-60 | 127560 | B1-64 |
| 089155 | B15-31 | 104205 | B7-38 | 125670 | B4-48 | 126601 | B5-8 | 126693 | B1-84, B5-60 | 127561 | B1-64 |
| 089156 | B15-31 | 104207 | B7-38 | 125671 | B4-50 | 126602 | B5-8 | 126694 | B1-84, B5-60 | 127562 | B1-64 |
| 089600 | B15-31 | 104208 | B7-38 | 125672 | B4-50 | 126603 | B5-8 | 126695 | B1-84, B5-60 | 127563 | B1-42 |
| 089601 | B15-31 | 104211 | B7-38 | 125673 | B4-50 | 126604 | B5-8 | 126696 | B1-84, B5-60 | 127564 | B1-42 |
| 089602 | B15-31 | 104212 | B7-38 | 125674 | B4-50 | 126605 | B5-8, B5-12 | 126697 | B1-84, B5-60 | 127565 | B1-42 |
| 089603 | B15-31 | 104216 | B7-38 | 125675 | B4-50 | 126606 | B5-8 | 126698 | B1-84, B5-60 | 127566 | B1-42 |
| 089604 | B15-31 | 123069 | B1-82 | 125676 | B4-50 | 126607 | B5-8 | 126699 | B1-84, B5-60 | 127567 | B1-42 |
| 104003 | B7-38 | 123070 | B1-82 | 125677 | B4-32 | 126608 | B5-8 | 127073 | B1-82 | 127568 | B1-42 |
| 104006 | B7-38 | 123071 | B1-82 | 125678 | B4-32 | 126609 | B5-8 | 127500 | B1-18 | 127569 | B1-42 |
| 104010 | B7-38 | 123072 | B1-82 | 125679 | B4-32 | 126610 | B5-8 | 127501 | B1-18 | 127570 | B1-54 |
| 104013 | B7-38 | 123073 | B1-82 | 125680 | B4-32 | 126611 | B5-22 | 127502 | B1-18 | 127574 | B1-76 |
| 104016 | B7-38 | 123074 | B1-82 | 125681 | B4-32 | 126612 | B5-22 | 127503 | B1-18 | 127575 | B1-76 |
| 104017 | B7-38 | 123075 | B1-82 | 125682 | B4-32 | 126613 | B5-22 | 127504 | B1-18 | 127576 | B1-76 |
| 104018 | B7-38 | 123076 | B1-82 | 125683 | B4-32 | 126614 | B5-22 | 127505 | B1-18 | 127577 | B1-76 |
| 104019 | B7-38 | 123077 | B1-82 | 125684 | B4-32 | 126615 | B5-22 | 127506 | B1-18 | 127578 | B1-24 |
| 104020 | B7-38 | 123234 | B1-82 | 125711 | B4-20 | 126616 | B5-22 | 127507 | B1-18 | 127579 | B1-24 |
| 104021 | B7-38 | 123409 | B1-82 | 125712 | B4-20 | 126617 | B5-22 | 127508 | B1-18 | 127580 | B1-24 |
| 104022 | B7-38 | 123413 | B1-82 | 125713 | B4-20 | 126618 | B5-22 | 127509 | B1-32 | 127581 | B1-24 |
| 104023 | B7-38 | 123460 | B1-82 | 125714 | B4-20 | 126619 | B5-34 | 127510 | B1-32 | 127582 | B1-24 |
| 104024 | B7-38 | 124474 | B4-30 | 125715 | B4-20 | 126620 | B5-34 | 127511 | B1-32 | 127583 | B1-24 |
| 104025 | B7-38 | 124590 | B4-44 | 125716 | B4-24 | 126621 | B5-34 | 127512 | B1-32 | 127584 | B1-24 |
| 104026 | B7-38 | 124591 | B4-44 | 125717 | B4-22 | 126622 | B5-34 | 127513 | B1-32 | 127585 | B1-24 |
| 104027 | B7-38 | 124634 | B4-44 | 125718 | B4-22 | 126623 | B5-34 | 127514 | B1-32 | 127586 | B1-24 |
| 104028 | B7-38 | 124676 | B4-40 | 125719 | B4-22 | 126624 | B5-36 | 127515 | B1-64 | 127587 | B1-34 |
| 104029 | B7-38 | 124677 | B4-40 | 125720 | B4-52 | 126625 | B5-36 | 127516 | B1-64 | 127588 | B1-34 |
| 104030 | B7-38 | 124678 | B4-40 | 125721 | B4-52 | 126626 | B5-36 | 127517 | B1-64 | 127589 | B1-34 |
| 104031 | B7-38 | 124697 | B4-40 | 125722 | B4-52 | 126627 | B5-36 | 127518 | B1-64 | 127590 | B1-34 |
| 104032 | B7-38 | 124748 | B4-40 | 125723 | B4-52 | 126628 | B5-36 | 127519 | B1-64 | 127591 | B1-34 |
| 104033 | B7-38 | 124749 | B4-40 | 125724 | B4-52 | 126629 | B1-84, B5-60 | 127520 | B1-64 | 127592 | B1-34 |
| 104034 | B7-38 | 124931 | B1-82 | 125725 | B4-52 | 126630 | B1-84, B5-60 | 127521 | B1-54, B1-64 | 127593 | B1-68 |
| 104035 | B7-38 | 124932 | B1-82 | 125726 | B4-52 | 126631 | B1-84, B5-60 | 127522 | B1-54, B1-64 | 127594 | B1-68 |
| 104036 | B7-38 | 125004 | B1-82 | 125727 | B4-52 | 126632 | B1-84, B5-60 | 127523 | B1-54, B1-64 | 127595 | B1-68 |

PART NUMBER INDEX



| Part No. | Page | Part No. | Page | Part No. | Page | Part No. | Page | Part No. | Page | Part No. | Page |
|----------|-------|----------|-------|----------|--------------|----------|--------------|----------|--------------|----------|-------|
| 127596 | B1-68 | 127679 | B1-22 | 127748 | B1-48 | 128208 | B2-98 | 128489 | B5-18 | 128731 | B5-12 |
| 127597 | B1-68 | 127680 | B1-22 | 127749 | B1-48 | | B3-138 | 128490 | B5-18 | 128732 | B5-12 |
| 127598 | B1-68 | 127681 | B1-44 | 127750 | B1-48 | | B4-86, B5-68 | 128646 | B1-84, B5-60 | 128733 | B5-12 |
| 127599 | B1-68 | 127682 | B1-44 | 127751 | B1-70 | 128209 | B2-100 | 128647 | B1-84, B5-60 | 128734 | B5-12 |
| 127600 | B1-68 | 127683 | B1-44 | 127752 | B1-70 | | B3-140 | 128648 | B1-84, B5-60 | 128735 | B5-12 |
| 127601 | B1-68 | 127684 | B1-44 | 127753 | B1-70 | | B4-88, B5-70 | 128649 | B1-84, B5-60 | 128736 | B5-12 |
| 127602 | B1-46 | 127685 | B1-44 | 127754 | B1-70 | 128210 | B2-98 | 128650 | B1-84, B5-60 | 128738 | B5-12 |
| 127603 | B1-46 | 127686 | B1-44 | 127755 | B1-70 | | B3-138 | 128651 | B1-84, B5-60 | 128739 | B5-12 |
| 127604 | B1-46 | 127687 | B1-44 | 127756 | B1-70 | | B4-86, B5-68 | 128652 | B1-84, B5-60 | 128741 | B5-12 |
| 127605 | B1-46 | 127688 | B1-44 | 128130 | B4-26 | 128211 | B2-100 | | B5-60, B5-64 | 128742 | B5-20 |
| 127606 | B1-46 | 127689 | B1-66 | 128131 | B4-26 | | B3-140 | 128653 | B1-84, B5-60 | 128743 | B5-20 |
| 127607 | B1-46 | 127690 | B1-66 | 128132 | B4-26 | | B4-88, B5-70 | 128654 | B1-84, B5-60 | 128744 | B5-20 |
| 127608 | B1-46 | 127691 | B1-66 | 128133 | B4-26 | 128212 | B2-98 | 128655 | B1-84, B5-60 | 128745 | B5-20 |
| 127609 | B1-46 | 127692 | B1-66 | 128134 | B4-26 | | B3-138 | 128656 | B1-84, B5-60 | 128746 | B5-20 |
| 127610 | B1-46 | 127693 | B1-66 | 128135 | B4-26 | | B4-86, B5-68 | | B5-60, B5-64 | 128747 | B5-20 |
| 127611 | B1-56 | 127694 | B1-66 | 128136 | B4-26 | 128213 | B2-100 | 128657 | B1-84, B5-60 | 128748 | B5-20 |
| 127612 | B1-56 | 127695 | B1-66 | 128137 | B4-42 | | B3-140 | 128658 | B1-84, B5-60 | 128749 | B5-20 |
| 127613 | B1-56 | 127696 | B1-66 | 128138 | B4-42 | | B4-88, B5-70 | 128659 | B1-84, B5-60 | 128750 | B5-20 |
| 127614 | B1-56 | 127697 | B1-20 | 128139 | B4-42 | 128214 | B2-98 | 128660 | B1-84, B5-60 | 128751 | B5-20 |
| 127615 | B1-56 | 127698 | B1-20 | 128140 | B4-42 | | B3-138 | 128661 | B5-60, B5-64 | 128752 | B5-20 |
| 127616 | B1-56 | 127699 | B1-20 | 128141 | B4-42 | | B4-86, B5-68 | 128663 | B5-60 | 128753 | B5-20 |
| 127617 | B1-78 | 127700 | B1-22 | 128142 | B4-42 | 128215 | B2-100 | 128664 | B5-60, B5-64 | 128754 | B5-20 |
| 127618 | B1-78 | 127701 | B1-22 | 128143 | B4-42 | | B3-140 | 128665 | B5-64 | 128755 | B5-20 |
| 127619 | B1-78 | 127702 | B1-22 | 128144 | B4-46 | | B4-88, B5-70 | 128666 | B5-60 | 128756 | B5-20 |
| 127620 | B1-78 | 127703 | B1-44 | 128145 | B4-46 | 128216 | B2-98 | 128667 | B5-60 | 128757 | B5-22 |
| 127621 | B1-78 | 127704 | B1-44 | 128146 | B4-46 | | B3-138 | 128668 | B5-64 | 128758 | B5-22 |
| 127622 | B1-78 | 127705 | B1-44 | 128147 | B4-46 | | B4-86, B5-68 | 128669 | B5-64 | 128759 | B5-22 |
| 127623 | B1-24 | 127706 | B1-44 | 128148 | B4-46 | 128217 | B2-100 | 128670 | B5-64 | 128760 | B5-22 |
| 127624 | B1-24 | 127707 | B1-44 | 128149 | B4-46 | | B3-140 | 128671 | B5-64 | 128761 | B5-22 |
| 127625 | B1-24 | 127708 | B1-44 | 128150 | B4-46 | | B4-88, B5-70 | 128672 | B1-84, B5-64 | 128762 | B5-22 |
| 127626 | B1-24 | 127709 | B1-66 | 128183 | B4-26 | 128218 | B2-98 | 128673 | B5-64 | 128763 | B5-22 |
| 127627 | B1-24 | 127710 | B1-66 | 128184 | B4-26 | | B3-138 | 128674 | B5-64 | 128764 | B5-22 |
| 127628 | B1-24 | 127711 | B1-66 | 128185 | B4-26 | | B4-86, B5-68 | 128675 | B5-64 | 128765 | B5-22 |
| 127629 | B1-24 | 127712 | B1-66 | 128186 | B4-42 | 128219 | B2-100 | 128676 | B5-64 | 128766 | B5-22 |
| 127630 | B1-34 | 127713 | B1-66 | 128187 | B4-42 | | B3-140 | 128677 | B5-60, B5-64 | 128767 | B5-22 |
| 127631 | B1-34 | 127714 | B1-66 | 128188 | B4-42 | | B4-88, B5-70 | 128684 | B1-84, B5-60 | 128768 | B5-22 |
| 127632 | B1-34 | 127715 | B1-26 | 128189 | B4-46 | 128220 | B2-102 | 128696 | B5-16 | 128769 | B5-22 |
| 127633 | B1-34 | 127716 | B1-26 | 128190 | B4-46 | | B5-72 | 128697 | B5-16 | 128770 | B5-22 |
| 127634 | B1-68 | 127717 | B1-26 | 128191 | B4-46 | 128221 | B2-102 | 128698 | B5-16 | 128771 | B5-22 |
| 127635 | B1-68 | 127718 | B1-26 | 128192 | B4-54 | | B5-72 | 128700 | B5-8 | 128772 | B5-22 |
| 127636 | B1-68 | 127719 | B1-26 | 128193 | B4-54 | 128222 | B2-102 | 128701 | B5-8 | 128774 | B5-22 |
| 127637 | B1-68 | 127720 | B1-26 | 128194 | B4-54 | | B5-72 | 128702 | B5-8 | 128775 | B5-34 |
| 127638 | B1-68 | 127721 | B1-26 | 128195 | B4-54 | 128223 | B2-102 | 128703 | B5-8 | 128776 | B5-34 |
| 127639 | B1-68 | 127722 | B1-26 | 128196 | B4-54 | | B5-72 | 128704 | B5-8 | 128777 | B5-34 |
| 127640 | B1-68 | 127723 | B1-48 | 128200 | B2-98 | 128432 | B5-10 | 128705 | B5-8 | 128778 | B5-34 |
| 127641 | B1-46 | 127724 | B1-48 | | B3-138 | 128435 | B5-10 | 128706 | B5-8 | 128779 | B5-34 |
| 127642 | B1-46 | 127725 | B1-48 | | B4-86, B5-68 | 128436 | B5-10 | 128707 | B5-8 | 128780 | B5-34 |
| 127643 | B1-46 | 127726 | B1-48 | 128201 | B2-100 | 128437 | B5-10 | | B5-14, B5-16 | 128781 | B5-34 |
| 127644 | B1-46 | 127727 | B1-48 | | B3-140 | 128438 | B5-10 | 128708 | B5-8 | 128782 | B5-34 |
| 127645 | B1-46 | 127728 | B1-48 | | B4-88, B5-70 | 128440 | B5-10 | 128709 | B5-8 | 128783 | B5-34 |
| 127646 | B1-46 | 127729 | B1-48 | 128202 | B2-98 | 128441 | B5-10 | 128710 | B5-8, B5-12 | 128784 | B5-34 |
| 127647 | B1-46 | 127730 | B1-48 | | B3-138 | 128444 | B5-10 | 128711 | B5-8, B5-16 | 128785 | B5-34 |
| 127648 | B1-56 | 127731 | B1-70 | | B4-86, B5-68 | 128446 | B5-10 | 128712 | B5-8 | 128786 | B5-36 |
| 127649 | B1-56 | 127732 | B1-70 | 128203 | B2-100 | 128449 | B5-10 | 128713 | B5-8 | 128787 | B5-36 |
| 127650 | B1-56 | 127733 | B1-70 | | B3-140 | 128451 | B5-10 | 128714 | B5-8 | 128788 | B5-36 |
| 127651 | B1-56 | 127734 | B1-70 | | B4-88, B5-70 | 128452 | B5-10 | 128715 | B5-8 | 128789 | B5-36 |
| 127652 | B1-78 | 127735 | B1-70 | 128204 | B2-98 | 128474 | B5-18 | 128717 | B5-8 | 128790 | B5-36 |
| 127653 | B1-78 | 127736 | B1-70 | | B3-138 | 128475 | B5-18 | 128719 | B5-8 | 128792 | B5-36 |
| 127654 | B1-78 | 127737 | B1-70 | | B4-86, B5-68 | 128476 | B5-18 | 128720 | B5-8 | 128794 | B5-36 |
| 127655 | B1-78 | 127738 | B1-70 | 128205 | B2-100 | 128477 | B5-18 | 128721 | B5-12 | 128795 | B5-36 |
| 127670 | B1-20 | 127739 | B1-26 | | B3-140 | 128478 | B5-18 | 128722 | B5-12 | 128796 | B5-32 |
| 127671 | B1-20 | 127740 | B1-26 | | B4-88, B5-70 | 128479 | B5-18 | 128723 | B5-12 | 128797 | B5-32 |
| 127672 | B1-20 | 127741 | B1-26 | 128206 | B2-98 | 128480 | B5-18 | 128724 | B5-12 | 128798 | B5-32 |
| 127673 | B1-20 | 127742 | B1-26 | | B3-138 | 128481 | B5-10, B5-18 | 128725 | B5-12 | 128799 | B5-32 |
| 127674 | B1-20 | 127743 | B1-26 | | B4-86, B5-68 | 128482 | B5-18 | 128726 | B5-12 | 128800 | B5-32 |
| 127675 | B1-20 | 127744 | B1-26 | 128207 | B2-100 | 128483 | B5-10, B5-18 | 128727 | B5-12 | 128801 | B5-32 |
| 127676 | B1-22 | 127745 | B1-48 | | B3-140 | 128484 | B5-18 | 128728 | B5-12 | 128802 | B5-32 |
| 127677 | B1-22 | 127746 | B1-48 | | B4-88, B5-70 | 128485 | B5-10, B5-18 | 128729 | B5-12 | 128803 | B5-32 |
| 127678 | B1-22 | 127747 | B1-48 | | | 128488 | B5-18 | 128730 | B5-12 | 128804 | B5-32 |

PART NUMBER INDEX



Take-Up Frames

Engineering

Index

| Part No. | Page | Part No. | Page | Part No. | Page | Part No. | Page | Part No. | Page | Part No. | Page |
|----------|--------------------|----------|--------------|----------|---------------------|----------|--------------|----------|--------------|----------|--------------|
| 128805 | B5-32 | 128975 | B1-90 | 129189 | B2-16 | 129253 | B1-14 | 129322 | B2-32 | 129399 | B2-12 |
| 128806 | B5-32 | 128976 | B1-90 | 129190 | B2-16 | 129254 | B1-14 | 129323 | B2-32 | 129417 | B2-90 |
| 128807 | B5-32 | 128977 | B1-90 | 129191 | B2-16 | 129255 | B1-14 | 129324 | B2-32 | 129419 | B2-8, B2-22 |
| 128808 | B5-40 | 128978 | B1-90 | 129192 | B2-16 | 129256 | B1-14 | 129325 | B2-32 | 129420 | B2-8, B2-16 |
| 128809 | B5-40 | 128980 | B1-90 | 129193 | B2-18 | 129257 | B1-14 | 129326 | B2-34 | 129421 | B2-8 |
| 128810 | B5-40, B5-42 | 128989 | B1-90 | 129194 | B2-18 | 129258 | B1-14 | 129327 | B2-34 | 129422 | B2-8, B2-22 |
| 128811 | B5-40 | 128990 | B1-90 | 129195 | B2-18 | 129259 | B1-14 | 129328 | B2-34 | 129423 | B2-8 |
| 128812 | B5-40 | 128991 | B1-90 | 129196 | B2-18 | 129260 | B1-16 | 129329 | B2-34 | 129424 | B2-8, B2-22 |
| 128813 | B5-40, B5-42 | 128992 | B1-90 | 129197 | B2-18 | 129261 | B1-16 | 129330 | B2-40 | 129425 | B2-10, B2-22 |
| 128814 | B5-40, B5-42 | 128993 | B1-90 | 129198 | B2-18 | 129262 | B1-16 | 129331 | B2-40 | 129426 | B2-10, B2-22 |
| 128815 | B5-40 | 128994 | B1-90 | 129199 | B2-18 | 129263 | B1-16 | 129332 | B2-40 | 129427 | B2-10, B2-22 |
| 128816 | B5-40 | 128996 | B1-90 | 129200 | B2-18 | 129264 | B1-16 | 129333 | B2-40 | 129428 | B2-10, B2-24 |
| 128817 | B5-40 | 128997 | B1-90 | 129201 | B2-18 | 129265 | B1-16 | 129334 | B2-40 | 129429 | B2-10, B2-24 |
| 128818 | B5-40 | 129040 | B2-16 | 129202 | B2-18 | 129266 | B1-16 | 129335 | B2-40 | 129430 | B2-10, B2-24 |
| 128820 | B5-40 | 129041 | B2-16 | 129203 | B2-8, B2-16 | 129267 | B1-16 | 129336 | B2-40 | 129431 | B2-10, B2-24 |
| 128822 | B5-40 | 129042 | B2-16 | 129204 | B2-8 | 129268 | B1-16 | 129337 | B2-34, B2-40 | 129432 | B2-8 |
| 128823 | B5-16 | 129043 | B2-16 | 129205 | B2-8 | 129269 | B1-16 | 129339 | B1-38 | 129433 | B2-16 |
| 128824 | B5-14, B5-16 | 129044 | B2-18 | 129206 | B2-8 | 129270 | B1-16 | 129340 | B1-38 | 129434 | B2-16 |
| 128825 | B5-14, B5-16 | 129045 | B2-18 | 129207 | B2-8 | 129271 | B1-16 | 129341 | B1-38 | 129435 | B2-16 |
| 128826 | B5-16 | 129046 | B2-18 | 129208 | B2-8 | 129272 | B1-16 | 129342 | B1-38 | 129436 | B2-16 |
| 128827 | B5-14, B5-16 | 129047 | B2-18 | 129209 | B2-8 | 129273 | B1-16 | 129343 | B1-38 | 129437 | B2-18 |
| 128828 | B5-14, B5-16 | 129048 | B2-22 | 129210 | B2-18 | 129274 | B1-16 | 129344 | B1-38 | 129438 | B2-18 |
| 128829 | B5-14, B5-16 | 129049 | B4-18 | 129211 | B2-10 | 129275 | B1-16 | 129345 | B1-38 | 129439 | B2-18 |
| 128830 | B5-8, B5-14, B5-16 | 129049 | B2-22 | 129212 | B2-10 | 129276 | B2-30 | 129346 | B1-38 | 129440 | B2-18 |
| 128831 | B5-14, B5-16 | 129078 | B2-34, B2-40 | 129213 | B2-10 | 129277 | B2-30 | 129347 | B1-38 | 129441 | B2-18 |
| 128832 | B5-8, B5-16 | 129099 | B2-20 | 129214 | B2-10 | 129278 | B2-30 | 129348 | B1-38 | 129442 | B2-12 |
| 128833 | B5-14, B5-16 | 129118 | B2-66 | 129215 | B2-10 | 129279 | B2-30 | 129349 | B1-38 | 129443 | B2-12, B2-26 |
| 128834 | B5-8, B5-16 | 129148 | B2-30 | 129216 | B2-10 | 129280 | B2-30 | 129350 | B1-38 | 129444 | B2-12, B2-26 |
| 128835 | B5-26 | 129149 | B2-10 | 129217 | B2-22 | 129281 | B2-30 | 129351 | B1-38 | 129445 | B2-14, B2-26 |
| 128836 | B5-26 | 129150 | B2-8, B2-16 | 129218 | B2-22, B4-18 | 129282 | B2-30 | 129352 | B1-38 | 129446 | B2-14, B2-26 |
| 128837 | B5-26 | 129151 | B2-8, B2-16 | 129219 | B2-22, B4-18 | 129283 | B2-30 | 129353 | B1-38 | 129447 | B2-14, B2-26 |
| 128838 | B5-26 | 129152 | B2-8 | 129220 | B2-22 | 129284 | B2-30 | 129354 | B1-38 | 129448 | B2-14, B2-28 |
| 128839 | B5-26 | 129153 | B2-8 | 129221 | B2-22, B4-18 | 129285 | B2-30 | 129355 | B1-40 | 129449 | B2-14, B2-28 |
| 128840 | B5-26 | 129154 | B2-8 | 129222 | B2-22, B4-18 | 129286 | B2-30 | 129356 | B1-40 | 129450 | B2-14, B2-28 |
| 128841 | B5-26 | 129155 | B2-8 | 129223 | B2-24, B4-18 | 129287 | B2-30 | 129357 | B1-40 | 129451 | B2-28 |
| 128842 | B5-22, B5-26 | 129156 | B2-8 | 129224 | B2-10, B2-24, B4-18 | 129288 | B2-30 | 129358 | B1-40 | 129452 | B2-12, B2-26 |
| 128843 | B5-38 | 129157 | B2-8 | 129225 | B2-24, B4-18 | 129289 | B2-30 | 129359 | B1-40 | 129453 | B2-24 |
| 128844 | B5-38 | 129158 | B2-8 | 129226 | B2-24, B4-18 | 129290 | B2-30 | 129360 | B1-40 | 129454 | B2-24 |
| 128845 | B5-38 | 129159 | B2-8 | 129227 | B2-10, B2-24, B4-18 | 129291 | B1-30 | 129361 | B1-40 | 129455 | B2-28 |
| 128846 | B5-38 | 129160 | B2-8 | 129228 | B2-24, B4-18 | 129292 | B1-30 | 129362 | B1-40 | 129456 | B2-28 |
| 128847 | B5-38 | 129161 | B2-8, B2-22 | 129229 | B2-24, B4-18 | 129293 | B1-30 | 129363 | B1-40 | 129457 | B2-30 |
| 128848 | B5-38 | 129162 | B2-8 | 129230 | B2-24, B4-18 | 129294 | B1-30 | 129364 | B1-40 | 129458 | B2-30 |
| 128849 | B5-38 | 129163 | B2-8 | 129231 | B2-24, B4-18 | 129295 | B1-30 | 129365 | B1-40 | 129459 | B2-30 |
| 128850 | B5-36, B5-38 | 129164 | B2-10 | 129232 | B2-24, B4-18 | 129296 | B1-30 | 129366 | B1-40 | 129460 | B2-30 |
| 128851 | B5-38 | 129165 | B2-10 | 129233 | B2-24, B4-18 | 129297 | B1-30 | 129367 | B1-40 | 129461 | B2-30 |
| 128852 | B5-36, B5-38 | 129166 | B2-10 | 129234 | B2-26 | 129298 | B1-30 | 129368 | B1-40 | 129462 | B2-30 |
| 128853 | B5-38 | 129167 | B2-10 | 129235 | B2-26 | 129299 | B1-30 | 129369 | B2-40 | 129463 | B2-30 |
| 128854 | B5-36, B5-38 | 129168 | B2-10 | 129236 | B2-26 | 129300 | B1-30 | 129371 | B2-10 | 129464 | B2-48 |
| 128855 | B5-42 | 129169 | B2-10 | 129237 | B2-26 | 129301 | B2-32 | 129372 | B2-18 | 129465 | B2-48 |
| 128856 | B5-42 | 129170 | B2-10 | 129238 | B2-26 | 129302 | B2-32 | 129373 | B2-34 | 129466 | B2-48, B2-56 |
| 128857 | B5-42 | 129171 | B2-10 | 129239 | B2-26 | 129303 | B2-32 | 129374 | B2-50 | 129467 | B2-48, B2-56 |
| 128858 | B5-42 | 129172 | B2-10 | 129240 | B2-26 | 129304 | B2-32 | 129375 | B2-64 | 129468 | B2-48, B2-56 |
| 128859 | B5-42 | 129173 | B2-10 | 129241 | B2-26 | 129305 | B2-32 | 129376 | B2-10 | 129469 | B2-50, B2-56 |
| 128860 | B5-42 | 129174 | B2-12 | 129242 | B2-26 | 129306 | B2-32 | 129377 | B2-18 | 129470 | B2-50, B2-56 |
| 128861 | B5-42 | 129175 | B2-12 | 129243 | B2-28 | 129307 | B2-32 | 129378 | B2-34 | 129471 | B2-50, B2-56 |
| 128862 | B5-40, B5-42 | 129176 | B2-12 | 129244 | B2-28 | 129308 | B2-32 | 129379 | B2-50 | 129472 | B2-50, B2-58 |
| 128863 | B5-42 | 129177 | B2-12 | 129245 | B2-28 | 129309 | B2-32 | 129380 | B2-64 | 129473 | B2-50, B2-58 |
| 128864 | B5-40, B5-42 | 129178 | B2-12 | 129246 | B1-14 | 129310 | B2-32 | 129381 | B2-22 | 129474 | B2-50, B2-58 |
| 128865 | B5-42 | 129179 | B2-14 | 129247 | B1-14 | 129311 | B2-32 | 129382 | B2-26 | 129475 | B2-50, B2-58 |
| 128866 | B5-40, B5-42 | 129180 | B2-14 | 129248 | B1-14 | 129312 | B2-32 | 129383 | B2-22 | 129476 | B2-52, B2-60 |
| 128960 | B1-90 | 129181 | B2-14 | 129249 | B1-14 | 129313 | B2-34 | 129384 | B2-26 | 129477 | B2-52, B2-60 |
| 128961 | B1-90 | 129182 | B2-14 | 129250 | B1-14 | 129314 | B2-34, B2-40 | 129385 | B2-22 | 129478 | B2-52, B2-60 |
| 128962 | B1-90 | 129183 | B2-16 | 129251 | B1-14 | 129315 | B2-34 | 129386 | B2-26 | 129479 | B2-54, B2-60 |
| 128963 | B1-90 | 129184 | B2-16 | 129252 | B1-14 | 129316 | B2-34 | 129387 | B2-22 | 129480 | B2-54, B2-60 |
| 128964 | B1-90 | 129185 | B2-16 | | | 129317 | B2-34 | 129388 | B2-26 | 129481 | B2-54, B2-60 |
| 128965 | B1-90 | 129186 | B2-16 | | | 129318 | B2-34 | 129389 | B1-14 | 129482 | B2-54, B2-62 |
| 128966 | B1-90 | 129187 | B2-16 | | | 129319 | B2-34 | 129390 | B1-14 | 129483 | B2-54, B2-62 |
| 128974 | B1-90 | 129188 | B2-16 | | | 129320 | B2-36 | 129391 | B1-60 | 129484 | B2-54, B2-62 |
| | | | | | | 129321 | B2-32 | 129392 | B1-14 | 129485 | B2-54, B2-62 |

PART NUMBER INDEX



| Part No. | Page | Part No. | Page | Part No. | Page | Part No. | Page | Part No. | Page | Part No. | Page |
|----------|--------------|----------|--------------|----------|--------------|----------|--------------|----------|--------------|----------|----------------------|
| 129486 | B2-58 | 129555 | B1-52 | 129650 | B2-50 | 129719 | B1-60 | 129788 | B2-88 | 129899 | B2-92 |
| 129487 | B2-58 | 129556 | B1-52 | 129651 | B2-50 | 129720 | B1-60 | 129789 | B2-88 | 129902 | B2-8 |
| 129488 | B2-62 | 129557 | B1-52 | 129652 | B2-50 | 129721 | B1-62 | 129790 | B2-88 | | B2-12 |
| 129489 | B2-62 | 129558 | B1-52 | 129653 | B2-50 | 129722 | B1-62 | 129791 | B2-88 | | B2-16, B2-32, B2-36, |
| 129490 | B2-32 | 129559 | B1-16 | 129654 | B2-50 | 129723 | B1-62 | 129792 | B2-88 | | B2-42, B2-46, B2-48, |
| 129491 | B2-32 | 129560 | B1-16 | 129655 | B2-50 | 129724 | B1-62 | 129793 | B2-88 | | B2-52, B2-86, B2-94 |
| 129492 | B2-32, B2-40 | 129561 | B1-16 | 129656 | B2-50 | 129725 | B1-62 | 129794 | B2-88 | 129903 | B2-8 |
| 129493 | B2-32, B2-40 | 129562 | B1-16 | 129657 | B2-50 | 129726 | B1-62 | 129795 | B2-88 | | B2-12, |
| 129494 | B2-32, B2-40 | 129563 | B1-16 | 129658 | B2-50 | 129727 | B1-62 | 129796 | B2-86 | | B2-16, B2-32, B2-36, |
| 129495 | B2-34, B2-40 | 129564 | B1-16 | 129659 | B2-52 | 129728 | B1-62 | 129797 | B2-86 | | B2-42, B2-46, B2-48, |
| 129496 | B2-34, B2-40 | 129565 | B1-16 | 129660 | B2-52 | 129729 | B1-62 | 129798 | B2-86 | | B2-52, B2-86, B2-94 |
| 129497 | B2-34, B2-40 | 129566 | B1-16 | 129661 | B2-52 | 129730 | B1-62 | 129799 | B2-86 | 129904 | B2-8 |
| 129498 | B2-34, B2-40 | 129567 | B1-62 | 129662 | B2-54 | 129731 | B1-62 | 129800 | B2-86 | | B2-12, B2-16, |
| 129499 | B2-36 | 129568 | B1-62 | 129663 | B2-54 | 129732 | B1-62 | 129801 | B2-88 | | B2-30, B2-32, B2-36, |
| 129500 | B2-36 | 129569 | B1-62 | 129664 | B2-54 | 129733 | B1-62 | 129802 | B2-88 | | B2-42, B2-44, B2-46, |
| 129501 | B2-64, B2-66 | 129570 | B1-62 | 129665 | B2-54 | 129734 | B1-62 | 129803 | B2-88 | | B2-48, B2-52, B2-68, |
| 129502 | B2-64, B2-66 | 129571 | B1-62 | 129666 | B2-54 | 129735 | B2-64 | 129804 | B2-88 | | B2-74, B2-86, B2-94 |
| 129503 | B2-64, B2-66 | 129572 | B1-62 | 129667 | B2-48 | 129736 | B2-64 | 129805 | B2-88 | 129905 | B2-8 |
| 129504 | B2-64, B2-66 | 129573 | B1-40 | 129668 | B2-48 | 129737 | B2-64 | 129806 | B2-88 | | B2-12, B2-16, |
| 129505 | B2-64, B2-66 | 129574 | B1-40 | 129669 | B2-48 | 129738 | B2-64, B2-66 | 129807 | B2-88 | | B2-30, B2-32, B2-36, |
| 129506 | B2-64, B2-66 | 129575 | B1-40 | 129670 | B2-48 | 129739 | B2-64 | 129808 | B2-90 | | B2-42, B2-44, B2-46, |
| 129507 | B2-64, B2-66 | 129576 | B1-40 | 129671 | B2-48 | 129740 | B2-64 | 129809 | B2-90 | | B2-48, B2-52, B2-68, |
| 129508 | B2-64, B2-66 | 129577 | B1-40 | 129672 | B2-50 | 129741 | B2-64, B2-66 | 129810 | B2-90 | | B2-74, B2-86, B2-94 |
| 129509 | B2-66 | 129578 | B1-40 | 129673 | B2-50 | 129742 | B2-64, B2-66 | 129811 | B2-90 | 129906 | B2-8 |
| 129510 | B2-66 | 129579 | B1-80 | 129674 | B2-50 | 129743 | B2-64 | 129812 | B2-90 | | B2-12, B2-16, |
| 129511 | B2-44 | 129580 | B1-80 | 129675 | B2-50 | 129744 | B2-64 | 129813 | B2-90 | | B2-30, B2-32, B2-36, |
| 129512 | B2-44 | 129581 | B1-80 | 129676 | B2-50 | 129745 | B2-64 | 129814 | B2-92 | | B2-42, B2-44, B2-46, |
| 129513 | B2-44 | 129582 | B1-80 | 129677 | B2-50 | 129746 | B2-64 | 129815 | B2-88, B2-92 | | B2-48, B2-52, B2-68, |
| 129514 | B2-44 | 129583 | B1-80 | 129678 | B2-50 | 129747 | B2-64 | 129816 | B2-92 | | B2-74, B2-86, B2-94 |
| 129515 | B2-44 | 129584 | B1-80 | 129679 | B2-56 | 129748 | B2-64 | 129817 | B2-88, B2-92 | 129907 | B2-8 |
| 129516 | B2-86 | 129585 | B1-80 | 129680 | B2-56 | 129749 | B2-64 | 129818 | B2-88, B2-92 | | B2-12, B2-16, B2-20, |
| 129517 | B2-86 | 129602 | B1-14, B1-16 | 129681 | B2-56 | 129750 | B2-64 | 129819 | B2-88, B2-92 | | B2-30, B2-32, B2-36, |
| 129518 | B2-86, B2-90 | 129603 | B1-14 | 129682 | B2-56 | 129751 | B2-64 | 129820 | B2-92 | | B2-42, B2-44, B2-46, |
| 129519 | B2-86, B2-90 | 129605 | B1-16 | 129683 | B2-56 | 129752 | B2-64 | 129821 | B2-92 | | B2-48, B2-52, B2-68, |
| 129520 | B2-86, B2-90 | 129606 | B1-14, B1-16 | 129684 | B2-56 | 129753 | B2-64 | 129822 | B2-92 | | B2-74, B2-86, B2-94 |
| 129521 | B2-88, B2-90 | 129611 | B1-14 | 129685 | B2-56 | 129754 | B2-64 | 129823 | B2-92 | 129908 | B2-8 |
| 129522 | B2-88, B2-90 | 129612 | B1-16 | 129686 | B2-58 | 129755 | B2-64 | 129824 | B2-92 | | B2-12, B2-16, B2-30, |
| 129523 | B2-88, B2-90 | 129613 | B1-14, B1-16 | 129687 | B2-50, B2-58 | 129756 | B2-64 | 129825 | B1-80 | | B2-32, B2-36, B2-42, |
| 129524 | B2-88, B2-92 | 129615 | B2-44 | 129688 | B2-58 | 129757 | B2-64 | 129826 | B1-80 | | B2-44, B2-46, B2-48, |
| 129525 | B2-88, B2-92 | 129616 | B2-44 | 129689 | B2-50, B2-58 | 129758 | B2-66 | 129827 | B1-80 | | B2-52, B2-64, B2-68, |
| 129526 | B2-88, B2-92 | 129617 | B2-44 | 129690 | B2-58 | 129759 | B2-66 | 129828 | B1-80 | | B2-74, B2-86, B2-94 |
| 129527 | B2-88, B2-92 | 129618 | B2-44 | 129691 | B2-50, B2-58 | 129760 | B2-66 | 129829 | B1-80 | 129909 | B2-8 |
| 129528 | B2-92 | 129619 | B2-44 | 129692 | B2-58 | 129761 | B2-66 | 129830 | B1-80 | | B2-12, B2-16, B2-30, |
| 129529 | B2-92 | 129620 | B2-44 | 129693 | B2-58 | 129762 | B2-66 | 129831 | B1-80 | | B2-32, B2-36, B2-42, |
| 129530 | B1-14 | 129621 | B2-44 | 129694 | B2-58 | 129763 | B2-66 | 129832 | B1-80 | | B2-44, B2-46, B2-48, |
| 129531 | B1-14 | 129622 | B2-44 | 129695 | B2-58 | 129764 | B2-66 | 129833 | B1-80 | | B2-52, B2-64, B2-68, |
| 129532 | B1-14 | 129623 | B2-44 | 129696 | B2-58 | 129765 | B2-64, B2-66 | 129834 | B1-80 | | B2-74, B2-86, B2-94 |
| 129533 | B1-14 | 129624 | B2-44 | 129697 | B2-60 | 129766 | B2-66 | 129835 | B1-80 | 129910 | B2-8 |
| 129534 | B1-14 | 129625 | B2-44 | 129698 | B2-60 | 129767 | B2-64, B2-66 | 129836 | B1-80 | | B2-12, B2-16, B2-30, |
| 129535 | B1-14 | 129626 | B2-44 | 129699 | B2-60 | 129768 | B2-66 | 129837 | B1-80 | | B2-32, B2-36, B2-42, |
| 129536 | B1-14 | 129627 | B1-52 | 129700 | B2-62 | 129769 | B2-64, B2-66 | 129838 | B1-80 | | B2-44, B2-46, B2-48, |
| 129537 | B1-30 | 129629 | B1-52 | 129701 | B2-62 | 129770 | B2-66 | 129839 | B1-80 | | B2-52, B2-64, B2-68, |
| 129538 | B1-30 | 129631 | B1-52 | 129702 | B2-62 | 129771 | B2-66 | 129840 | B1-80 | | B2-74, B2-86, B2-94 |
| 129539 | B1-30 | 129632 | B1-52 | 129703 | B2-62 | 129772 | B2-66 | 129841 | B2-8 | 129911 | B2-8 |
| 129540 | B1-30 | 129634 | B1-52 | 129704 | B2-62 | 129773 | B2-66 | 129842 | B2-8 | | B2-12, B2-16, B2-22, |
| 129541 | B1-60 | 129635 | B1-52 | 129705 | B1-60 | 129774 | B2-86 | 129843 | B2-8 | | B2-26, B2-30, B2-32, |
| 129542 | B1-60 | 129637 | B2-48 | 129706 | B1-60 | 129775 | B2-86 | 129844 | B2-88 | | B2-36, B2-40, B2-42, |
| 129543 | B1-60 | 129638 | B2-48 | 129707 | B1-60 | 129776 | B2-86 | 129845 | B2-88 | | B2-44, B2-46, B2-48, |
| 129544 | B1-60 | 129639 | B2-48 | 129708 | B1-60 | 129777 | B2-86 | 129887 | B2-76 | | B2-52, B2-56, B2-60, |
| 129545 | B1-60 | 129640 | B2-48 | 129709 | B1-60 | 129778 | B2-86 | 129889 | B2-90 | | B2-64, B2-66, B2-68, |
| 129546 | B1-60 | 129641 | B2-48 | 129710 | B1-60 | 129779 | B2-86 | 129890 | B2-90 | | B2-72, B2-74, B2-78, |
| 129547 | B1-60 | 129642 | B2-48 | 129711 | B1-60 | 129780 | B2-86 | 129891 | B2-90 | | B2-86, B2-90, B2-94 |
| 129548 | B1-38 | 129643 | B2-48 | 129712 | B1-60 | 129781 | B2-86 | 129892 | B2-90 | 129912 | B2-8 |
| 129549 | B1-38 | 129644 | B2-48 | 129713 | B1-60 | 129782 | B2-86 | 129893 | B2-90 | | B2-12, B2-16, B2-30, |
| 129550 | B1-38 | 129645 | B2-48 | 129714 | B1-60 | 129783 | B2-86, B2-90 | 129894 | B2-92 | | B2-32, B2-36, B2-42, |
| 129551 | B1-38 | 129646 | B2-48, B2-56 | 129715 | B1-60 | 129784 | B2-86 | 129895 | B2-92 | | B2-44, B2-46, B2-48, |
| 129552 | B1-38 | 129647 | B2-48 | 129716 | B1-60 | 129785 | B2-86 | 129896 | B2-92 | | B2-52, B2-64, B2-68, |
| 129553 | B1-38 | 129648 | B2-48 | 129717 | B1-60 | 129786 | B2-88 | 129897 | B2-92 | | B2-74, B2-86, B2-94 |
| 129554 | B1-38 | 129649 | B2-50 | 129718 | B1-60 | 129787 | B2-88, B2-90 | 129898 | B2-92 | | |

PART NUMBER INDEX



Take-Up Frames

Engineering

Index

| Part No. | Page | Part No. | Page | Part No. | Page | Part No. | Page | Part No. | Page | Part No. | Page |
|----------|--------------|----------|--------------|----------|--------------|----------|--------------|----------|-------|----------|--------|
| 131801 | B4-10, B4-14 | 131971 | B4-20 | 136123 | B2-70 | 136192 | B2-84 | 136269 | B2-40 | 136341 | B2-42 |
| 131802 | B4-10 | 131972 | B4-20 | 136124 | B2-70 | 136193 | B2-82, B2-84 | 136270 | B2-40 | 136342 | B2-42 |
| 131803 | B4-10 | 131973 | B4-20 | 136125 | B2-70 | 136194 | B2-84 | 136271 | B2-40 | 136343 | B2-46 |
| 131804 | B4-10 | 131974 | B4-20 | 136126 | B2-70 | 136195 | B2-84 | 136272 | B2-40 | 136344 | B2-46 |
| 131805 | B4-10 | 131975 | B4-20 | 136127 | B2-70 | 136196 | B2-84 | 136273 | B2-40 | 136345 | B2-46 |
| 131806 | B4-10 | 131976 | B4-20 | 136128 | B2-70 | 136197 | B2-84 | 136274 | B2-40 | 136346 | B2-46 |
| 131807 | B4-10 | 131977 | B4-20 | 136129 | B2-70 | 136198 | B2-84 | 136275 | B2-56 | 136347 | B2-46 |
| 131808 | B4-10 | 131978 | B4-20 | 136130 | B2-74 | 136210 | B2-68 | 136276 | B2-56 | 136348 | B2-46 |
| 131809 | B4-10 | 131979 | B4-20 | 136131 | B2-74 | 136211 | B2-68, B2-72 | 136277 | B2-56 | 136349 | B2-46 |
| 131810 | B4-10 | 131980 | B4-20 | 136132 | B2-74 | 136212 | B2-68, B2-72 | 136278 | B2-56 | 136350 | B2-46 |
| 131811 | B4-10 | 131981 | B4-20 | 136133 | B2-74 | 136213 | B2-68, B2-72 | 136279 | B2-56 | 136351 | B2-46 |
| 131812 | B4-10 | 131982 | B4-22 | 136134 | B2-74 | 136214 | B2-68, B2-72 | 136280 | B2-58 | 136352 | B2-46 |
| 131813 | B4-12 | 131983 | B4-24 | 136135 | B2-74 | 136215 | B2-70, B2-72 | 136281 | B2-58 | 136353 | B2-46 |
| 131814 | B4-12 | 131984 | B4-24 | 136136 | B2-74 | 136216 | B2-70, B2-72 | 136282 | B2-58 | 136354 | B2-46 |
| 131815 | B4-12 | 131985 | B4-24 | 136137 | B2-74, B2-78 | 136217 | B2-70, B2-72 | 136283 | B2-58 | 136355 | B2-42 |
| 131816 | B4-12 | 131986 | B4-24 | 136138 | B2-74 | 136218 | B2-70, B2-72 | 136284 | B2-58 | 136356 | B2-42 |
| 131817 | B4-12 | 131987 | B4-24 | 136139 | B2-74 | 136219 | B2-74 | 136285 | B2-58 | 136357 | B2-42 |
| 131818 | B4-12 | 131988 | B4-24 | 136140 | B2-74 | 136220 | B2-74, B2-78 | 136286 | B2-66 | 136358 | B2-42 |
| 131819 | B4-12 | 131989 | B4-24 | 136141 | B2-74 | 136221 | B2-74, B2-78 | 136287 | B2-66 | 136359 | B2-42 |
| 131820 | B4-12 | 131990 | B4-24 | 136142 | B2-76 | 136222 | B2-74, B2-78 | 136288 | B2-66 | 136360 | B2-46 |
| 131821 | B4-12 | 131991 | B4-24 | 136143 | B2-76 | 136223 | B2-74, B2-78 | 136289 | B2-66 | 136361 | B2-46 |
| 131830 | B4-14 | 131992 | B4-24 | 136144 | B2-76 | 136224 | B2-76, B2-78 | 136290 | B2-66 | 136362 | B2-46 |
| 131831 | B4-14 | 131993 | B4-24 | 136145 | B2-76 | 136225 | B2-76, B2-78 | 136291 | B2-66 | 136363 | B2-46 |
| 131832 | B4-14 | 131994 | B4-24 | 136146 | B2-76 | 136226 | B2-76, B2-80 | 136293 | B2-66 | 136364 | B2-46 |
| 131833 | B4-14 | 131995 | B4-24 | 136147 | B2-76 | 136227 | B2-76, B2-80 | 136294 | B2-66 | 136365 | B2-30 |
| 131834 | B4-14 | 131996 | B4-20 | 136148 | B2-76 | 136228 | B2-76, B2-80 | 136295 | B2-66 | 136366 | B2-30 |
| 131835 | B4-14 | 132203 | B14-41 | 136149 | B2-76 | 136229 | B2-76, B2-80 | 136296 | B2-72 | 136367 | B2-30 |
| 131836 | B4-14 | 132205 | B14-41 | 136150 | B2-76 | 136230 | B2-80 | 136297 | B2-72 | 136368 | B2-30 |
| 131837 | B4-14 | 132542 | B14-33 | 136151 | B2-76 | 136231 | B2-82, B2-84 | 136298 | B2-72 | 136369 | B2-30 |
| 131838 | B4-14 | 132546 | B14-33 | 136152 | B2-82 | 136232 | B2-82, B2-84 | 136299 | B2-72 | 136370 | B2-30 |
| 131839 | B4-14 | 132547 | B14-33 | 136153 | B2-82 | 136233 | B2-82, B2-84 | 136300 | B2-72 | 136371 | B2-30 |
| 131840 | B4-14 | 132548 | B14-33 | 136154 | B2-82 | 136234 | B2-82, B2-84 | 136301 | B2-72 | 136383 | B2-30 |
| 131841 | B4-16 | 132549 | B14-33 | 136155 | B2-82 | 136235 | B2-82, B2-84 | 136302 | B2-72 | 136384 | B2-30 |
| 131842 | B4-16 | 132564 | B14-33 | 136156 | B2-82 | 136236 | B2-84 | 136303 | B2-78 | 136385 | B2-30 |
| 131843 | B4-16 | 132565 | B14-33 | 136157 | B2-82 | 136237 | B2-84 | 136304 | B2-78 | 136386 | B2-30 |
| 131844 | B4-16 | 132566 | B14-33 | 136158 | B2-82 | 136238 | B2-68 | 136305 | B2-78 | 136387 | B2-30 |
| 131845 | B4-16 | 132567 | B14-33 | 136159 | B2-72 | 136239 | B2-68 | 136306 | B2-78 | 136388 | B2-30 |
| 131846 | B4-16 | 132811 | B14-34 | 136160 | B2-72 | 136240 | B2-68 | 136307 | B2-78 | 136389 | B2-30 |
| 131847 | B4-16 | 132814 | B14-34 | 136161 | B2-72 | 136241 | B2-68 | 136308 | B2-80 | 139292 | B2-66 |
| 131848 | B4-16 | 132816 | B14-34 | 136162 | B2-72 | 136242 | B2-68 | 136309 | B2-80 | 162556 | B2-76 |
| 131849 | B4-16 | 132819 | B14-34 | 136163 | B2-72 | 136243 | B2-70 | 136310 | B2-80 | 199910 | B2-20 |
| 131895 | B4-10 | 132822 | B14-34 | 136164 | B2-72 | 136244 | B2-70 | 136311 | B2-80 | 230050 | B13-44 |
| 131896 | B4-10 | 133932 | B14-34 | 136165 | B2-72 | 136245 | B2-70 | 136312 | B2-80 | 230053 | B13-44 |
| 131897 | B4-10 | 133933 | B14-34 | 136166 | B2-72 | 136246 | B2-70 | 136315 | B1-74 | 230056 | B13-44 |
| 131900 | B4-76 | 133937 | B14-34 | 136167 | B2-70, B2-72 | 136247 | B2-74 | 136316 | B1-74 | 230059 | B13-44 |
| 131902 | B4-76 | 133938 | B14-34 | 136168 | B2-72 | 136248 | B2-74 | 136317 | B1-74 | 230062 | B13-44 |
| 131904 | B4-76 | 134796 | B14-36 | 136169 | B2-70, B2-72 | 136249 | B2-74 | 136318 | B1-74 | 230065 | B13-44 |
| 131906 | B4-76 | 134798 | B14-36 | 136170 | B2-78 | 136250 | B2-74 | 136319 | B1-74 | 230068 | B13-44 |
| 131907 | B4-76 | 134800 | B14-36 | 136171 | B2-78 | 136251 | B2-74 | 136320 | B1-74 | 230071 | B13-44 |
| 131908 | B4-76 | 134803 | B14-36 | 136172 | B2-78 | 136252 | B2-76 | 136321 | B1-74 | 230074 | B13-44 |
| 131909 | B4-76 | 134806 | B14-36 | 136173 | B2-78 | 136253 | B2-76 | 136322 | B1-74 | 230077 | B13-44 |
| 131910 | B4-76 | 134809 | B14-36 | 136174 | B2-78 | 136254 | B2-76 | 136323 | B1-74 | 230080 | B13-44 |
| 131911 | B4-76 | 135378 | B14-37 | 136175 | B2-78 | 136255 | B2-76 | 136324 | B1-74 | 230134 | B13-44 |
| 131912 | B4-76 | 135379 | B14-37 | 136176 | B2-78 | 136257 | B2-76 | 136325 | B1-74 | 230137 | B13-44 |
| 131913 | B4-76 | 135380 | B14-37 | 136177 | B2-80 | 136258 | B2-22 | 136326 | B1-74 | 230140 | B13-44 |
| 131914 | B4-76 | 135381 | B14-37 | 136178 | B2-76, B2-80 | 136259 | B4-18 | 136327 | B1-74 | 231063 | B13-52 |
| 131915 | B4-76 | 135449 | B14-37 | 136179 | B2-80 | 136259 | B2-22 | 136328 | B1-74 | 231069 | B13-52 |
| 131916 | B4-78 | 136110 | B2-68 | 136180 | B2-76, B2-80 | 136260 | B2-22 | 136329 | B1-74 | 231075 | B13-52 |
| 131918 | B4-78 | 136111 | B2-68 | 136181 | B2-80 | 136261 | B4-18 | 136330 | B1-74 | 231081 | B13-52 |
| 131919 | B4-78 | 136112 | B2-68 | 136182 | B2-76, B2-80 | 136261 | B2-22 | 136331 | B2-42 | 231087 | B13-52 |
| 131920 | B4-78 | 136113 | B2-68 | 136183 | B2-80 | 136262 | B4-18 | 136332 | B2-42 | 231096 | B13-52 |
| 131923 | B4-78 | 136114 | B2-68 | 136184 | B2-80 | 136262 | B2-24 | 136333 | B2-42 | 231102 | B13-52 |
| 131924 | B4-78 | 136115 | B2-68 | 136185 | B2-80 | 136263 | B4-18 | 136334 | B2-42 | 231108 | B13-52 |
| 131927 | B4-78 | 136116 | B2-68 | 136186 | B2-84 | 136263 | B2-24 | 136335 | B2-42 | 231114 | B13-52 |
| 131928 | B4-78 | 136117 | B2-68, B2-72 | 136187 | B2-84 | 136264 | B2-24 | 136336 | B2-42 | 231120 | B13-52 |
| 131931 | B4-78 | 136118 | B2-68 | 136188 | B2-84 | 136265 | B2-24 | 136337 | B2-42 | 231126 | B13-52 |
| 131933 | B4-78 | 136119 | B2-68 | 136189 | B2-82, B2-84 | 136266 | B2-24 | 136338 | B2-42 | 231135 | B13-52 |
| 131934 | B4-78 | 136120 | B2-68 | 136190 | B2-84 | 136267 | B2-24 | 136339 | B2-42 | 231141 | B13-52 |
| 131970 | B4-20 | 136122 | B2-70 | 136191 | B2-82, B2-84 | 136268 | B2-40 | 136340 | B2-42 | 231150 | B13-52 |

PART NUMBER INDEX



Take-Up Frames

Engineering

Index

| Part No. | Page | Part No. | Page | Part No. | Page | Part No. | Page | Part No. | Page | Part No. | Page |
|----------|--|----------|--------------------|----------|-------------------|----------|-------------------|----------|---------------------------|----------|-------------------|
| 423372 | B11-99, B11-102 | 496185 | B12-10 | 701659 | B12-13 | 707405 | B12-21 | 713159 | B12-10 | 720982 | B12-10 |
| 423373 | B11-99, B11-102 | 496187 | B12-10 | 702830 | B12-13, B12-19 | 707410 | B12-21 | 713160 | B12-10 | 720983 | B12-10 |
| 430020 | B2-96 | 496188 | B12-10 | | | 707415 | B12-21 | 713161 | B12-10 | 720987 | B12-10 |
| 430020 | B5-66, B5-67, B5-69 | 496446 | B12-12, B12-19 | 702844 | B12-13, B12-19 | 707419 | B12-21 | 713162 | B12-10 | 720988 | B12-10 |
| 430153 | B14-38 | 496447 | B12-12, B12-19 | 702857 | B12-13, B12-19 | 707422 | B12-21 | 713163 | B12-10 | 720993 | B12-10 |
| 430155 | B14-41 | 496448 | B12-12, B12-19 | | | 707428 | B12-21 | 713164 | B12-10 | 720994 | B12-10 |
| 430198 | B14-41 | 496449 | B12-12, B12-19 | 702867 | B12-13, B12-19 | 707431 | B12-21 | 713165 | B12-10 | 721000 | B12-10 |
| 432153 | B14-41 | | | 702883 | B12-13, B12-19 | 707434 | B12-21 | 713166 | B12-10 | 721005 | B12-10 |
| 432181 | B14-34 | 496450 | B12-12, B12-199 | 702893 | B12-13, B12-19 | 707439 | B12-21 | 713167 | B12-10 | 721006 | B12-10 |
| 432184 | B14-34 | | | | | 707453 | B12-21 | 713168 | B12-10 | 721010 | B12-10 |
| 432187 | B14-34 | 496451 | B12-12, B12-19 | 702904 | B12-13 | 708444 | B12-22 | 713169 | B12-10 | 721011 | B12-10 |
| 432190 | B14-33 | | | 702907 | B12-13, B12-19 | 708446 | B12-22 | 713170 | B12-10 | 721014 | B12-10 |
| 432193 | B14-33 | 496452 | B12-12, B12-19 | 703407 | B12-10 | 708451 | B12-22 | 713171 | B12-10 | 721015 | B12-10 |
| 432196 | B14-33 | | | 703941 | B12-12, B12-18 | 708452 | B12-22 | 713172 | B12-10 | 721018 | B12-10 |
| 433326 | B14-38 | 496453 | B12-12, B12-19 | 703951 | B12-12, B12-18 | 708453 | B12-22 | 713173 | B12-10 | 721019 | B12-10 |
| 456225 | B1-92 | | | 703967 | B12-12, B12-18 | 708454 | B12-23 | 713175 | B12-10 | 721022 | B12-10 |
| 456226 | B1-92 | 496454 | B12-12, B12-19 | | | 708455 | B12-24 | 713176 | B12-10 | 721023 | B12-10 |
| 456227 | B13-56 | | | 703971 | B12-12, B12-18 | 708463 | B12-23 | 713178 | B12-10 | 721026 | B12-10 |
| 456228 | B1-92 | 496455 | B12-12, B12-19 | 703982 | B12-12, B12-18 | 708464 | B12-24 | 713181 | B12-10 | 721027 | B12-10 |
| 456229 | B13-56 | 496456 | B12-12, B12-19 | | | 708468 | B12-23 | 713182 | B12-10 | 721030 | B12-10 |
| 456230 | B1-92 | | | 703989 | B12-12, B12-18 | 708469 | B12-24 | 713183 | B12-10 | 721031 | B12-10 |
| 456231 | B13-56 | 496457 | B12-12, B12-19 | 703996 | B12-12, B12-18 | 708474 | B12-23 | 713184 | B12-10 | 721034 | B12-10 |
| 456232 | B1-92 | | | | | 708475 | B12-24 | 713185 | B12-10 | 721035 | B12-10 |
| 456234 | B13-56 | 496458 | B12-12, B12-19 | 706967 | B12-20 | 708481 | B12-22 | 713186 | B12-10 | 721040 | B12-10 |
| 456235 | B1-92 | | | 706974 | B12-20 | 708484 | B12-22 | 719372 | B12-13, B12-19 | 721041 | B12-10 |
| 456236 | B1-92 | 496459 | B12-12, B12-19 | 706976 | B12-20 | 708487 | B12-23 | | | 721044 | B12-10 |
| 456237 | B13-56 | | | 706998 | B12-20 | 708491 | B12-22 | 719373 | B12-13, B12-19 | 721046 | B12-10 |
| 456238 | B1-92 | 496460 | B12-12, B12-19 | 707006 | B12-20 | 708494 | B12-23 | | | 721049 | B12-10 |
| 456239 | B13-56 | | | 707014 | B12-20 | 708499 | B12-22 | 719374 | B12-13, B12-19 | 721050 | B12-10 |
| 460901 | B11-105, B11-115, B11-116, B11-128 | 496461 | B12-12, B12-19 | 707015 | B12-20 | 708500 | B12-23 | | | 721053 | B12-10 |
| 460902 | B11-105, B11-115, B11-116, B11-128 | 496462 | B12-12, B12-19 | 707020 | B12-20 | 708507 | B12-22 | 719375 | B12-13, B12-19 | 721054 | B12-10 |
| 460903 | B11-105, B11-115, B11-116, B11-128 | 496464 | B12-12, B12-19 | 707025 | B12-20 | 708510 | B12-22 | | | 721057 | B12-10 |
| 460904 | B11-105, B11-115 | 496465 | B12-12, B12-19 | 707056 | B12-20 | 708513 | B12-23 | 719376 | B12-13, B12-19 | 721058 | B12-10 |
| 460905 | B11-105, B11-115, B11-128 | 496466 | B12-12, B12-19 | 707057 | B12-20 | 708519 | B12-22 | | | 726921 | B12-25 |
| 460906 | B11-105, B11-115, B11-128 | 496467 | B12-12, B12-19 | 707063 | B12-20 | 708522 | B12-23 | 719377 | B12-13, B12-19 | 726922 | B12-25 |
| 480037 | B4-90 | 496468 | B12-12, B12-19 | 707069 | B12-20 | 708529 | B12-22 | | | 726926 | B12-25 |
| 480037 | B3-142 | 496469 | B12-12, B12-19 | 707107 | B12-20 | 708532 | B12-23 | 719379 | B12-13, B12-19 | 726927 | B12-25 |
| 480455 | B4-90 | 496470 | B12-12, B12-19 | 707111 | B12-20 | 708559 | B12-12, B12-19 | | | 726929 | B12-25 |
| 480455 | B3-142 | 496471 | B12-12, B12-19 | 707125 | B12-20 | 708966 | B12-12 | 719380 | B12-13, B12-19 | 726930 | B12-25 |
| 480456 | B4-90 | | | 707134 | B12-20 | 708970 | B12-12, B12-19 | | | 726933 | B12-25 |
| 480456 | B3-142 | 496472 | B12-12, B12-19 | 707187 | B12-20 | | | 719381 | B12-13, B12-19 | 726936 | B12-25 |
| 480457 | B4-90 | | | 707191 | B12-20 | 708976 | B12-12, B12-19 | | | 726937 | B12-25 |
| 480457 | B3-142 | 496473 | B12-12, B12-19 | 707201 | B12-20 | 708977 | B12-12, B12-19 | 719382 | B12-13, B12-19 | 726941 | B12-25 |
| 492598 | B13-33 | 496474 | B12-12, B12-19 | 707213 | B12-20 | | | 719383 | B12-13, B12-19 | 726943 | B12-25 |
| 496150 | B12-10 | | | 707261 | B12-20 | 708983 | B12-12, B12-19 | | | 726944 | B12-25 |
| 496151 | B12-10 | 496475 | B12-12, B12-19 | 707271 | B12-20 | 708989 | B12-12, B12-19 | 719385 | B12-13, B12-19 | 726947 | B12-25 |
| 496154 | B12-10 | | | 707287 | B12-20 | 709137 | B12-12, B12-19 | | | 726948 | B12-25 |
| 496157 | B12-10 | 496476 | B12-12, B12-19 | 707291 | B12-20 | | | 719400 | B12-18 | 726953 | B12-25 |
| 496159 | B12-10 | | | 707319 | B12-20 | 709140 | B12-12, B12-19 | 719406 | B12-18 | 726954 | B12-25 |
| 496162 | B12-10 | 496477 | B12-12, B12-19 | 707328 | B12-20 | 709143 | B12-12, B12-19 | 719408 | B12-18 | 726957 | B12-25 |
| 496165 | B12-10 | | | 707347 | B12-20 | 709146 | B12-12, B12-19 | 719480 | B12-10 | 726959 | B12-25 |
| 496168 | B12-10 | 496478 | B12-12, B12-19 | 707353 | B12-20 | | | 719499 | B12-10, B12-12, B12-13 | 726960 | B12-25 |
| 496171 | B12-10 | | | 707363 | B12-20 | 709152 | B12-12, B12-19 | | | 726962 | B12-20, B12-25 |
| 496173 | B12-10 | 496479 | B12-12, B12-19 | 707368 | B12-20 | | | 720940 | B12-10 | 726964 | B12-25 |
| 496176 | B12-10 | | | 707376 | B12-21 | 709162 | B12-12, B12-19 | 720945 | B12-10 | 726966 | B12-25 |
| 496179 | B12-10 | 496480 | B12-12, B12-19 | 707381 | B12-21 | 709166 | B12-12, B12-19 | 720950 | B12-10 | 726966 | B12-25 |
| 496182 | B12-10 | | | 707385 | B12-21 | | | 720951 | B12-10 | 738141 | B12-12, B12-19 |
| | | | | 707389 | B12-21 | 712071 | B12-19 | 720956 | B12-10 | | |
| | | | | 707391 | B12-21 | 712225 | B12-12, B12-18 | 720957 | B12-10 | 738142 | B12-12, B12-19 |
| | | | | 707400 | B12-21 | | | 720960 | B12-10 | | |
| | | | | 707402 | B12-21 | 713153 | B12-10 | 720962 | B12-10 | 738143 | B12-12, B12-19 |
| | | | | | | 713154 | B12-10 | 720965 | B12-10 | | |
| | | | | | | 713155 | B12-10 | 720966 | B12-10 | 738145 | B12-12, B12-19 |
| | | | | | | 713156 | B12-10 | 720970 | B12-10 | | |
| | | | | | | 713157 | B12-10 | 720971 | B12-10 | 738146 | B12-12, B12-19 |
| | | | | | | 713158 | B12-10 | 720973 | B12-10 | | |
| | | | | | | | | 720975 | B12-10 | 738147 | B12-12, B12-19 |
| | | | | | | | | 720978 | B12-10 | | |
| | | | | | | | | 720979 | B12-10 | | |

PART NUMBER INDEX



| Part No. | Page | Part No. | Page | Part No. | Page | Part No. | Page | Part No. | Page | Part No. | Page |
|----------|-------------------|----------|---------------------------------------|----------|--------------------|----------|-------------------|----------|------|----------|------|
| 738148 | B12-12, B12-19 | 747028 | B12-12 | 747146 | B12-12, B12-18 | 747341 | B12-13, B12-19 | | | | |
| 738149 | B12-12, B12-19 | 747029 | B12-12 | 747149 | B12-12, B12-18 | 747342 | B12-12, B12-19 | | | | |
| 738151 | B12-12, B12-19 | 747030 | B12-12 | 747152 | B12-12, B12-18 | 747343 | B12-13, B12-19 | | | | |
| 738152 | B12-12 | 747031 | B12-12 | 747177 | B12-13, B12-19 | 747344 | B12-13, B12-19 | | | | |
| 738154 | B12-12, B12-19 | 747032 | B12-12 | 747178 | B12-13, B12-19 | 747384 | B12-13, B12-19 | | | | |
| 738155 | B12-12, B12-19 | 747033 | B12-12 | 747179 | B12-13, B12-19 | 747385 | B12-13, B12-19 | | | | |
| 738157 | B12-12, B12-19 | 747034 | B12-12 | 747180 | B12-13, B12-19 | 747386 | B12-13, B12-19 | | | | |
| 738158 | B12-12, B12-19 | 747035 | B12-12 | 747181 | B12-13, B12-19 | 747387 | B12-13, B12-19 | | | | |
| 738160 | B12-12, B12-19 | 747036 | B12-12 | 747182 | B12-13, B12-19 | 747388 | B12-13, B12-19 | | | | |
| 738162 | B12-12, B12-19 | 747037 | B12-12 | 747183 | B12-13, B12-19 | 747389 | B12-13, B12-19 | | | | |
| 738163 | B12-12, B12-19 | 747038 | B12-12 | 747184 | B12-13, B12-19 | 747390 | B12-13, B12-19 | | | | |
| 739018 | B12-10 | 747039 | B12-12 | 747185 | B12-13, B12-19 | 747391 | B12-13, B12-19 | | | | |
| 739024 | B12-25 | 747040 | B12-12 | 747186 | B12-13 | 747392 | B12-13, B12-19 | | | | |
| 739025 | B12-25 | 747041 | B12-12 | 747187 | B12-13, B12-19 | 747393 | B12-12 | | | | |
| 739027 | B12-25 | 747051 | B12-19 | 747188 | B12-13, B12-19 | 747394 | B12-13, B12-19 | | | | |
| 739028 | B12-25 | 747052 | B12-19 | 747189 | B12-12, B12-18 | 747395 | B12-13, B12-19 | | | | |
| 739029 | B12-25 | 747053 | B12-19 | 747190 | B12-12, B12-18 | 747396 | B12-13, B12-19 | | | | |
| 739030 | B12-25 | 747054 | B12-19 | 747191 | B12-12, B12-18 | 747397 | B12-12, B12-19 | | | | |
| 739145 | B12-13, B12-19 | 747055 | B12-19 | 747192 | B12-12, B12-18 | 747398 | B12-13, B12-19 | | | | |
| 739150 | B12-13, B12-19 | 747056 | B12-19 | 747193 | B12-12, B12-18 | 747399 | B12-13, B12-19 | | | | |
| 739153 | B12-13, B12-19 | 747057 | B12-19 | 747194 | B12-12, B12-18 | 747400 | B12-13, B12-19 | | | | |
| 739154 | B12-13, B12-19 | 747058 | B12-19 | 747195 | B12-12, B12-18 | | | | | | |
| 739229 | B12-10 | 747059 | B12-19 | 747328 | B12-13, B12-19 | | | | | | |
| 739329 | B12-12, B12-18 | 747060 | B12-19 | 747329 | B12-13, B12-19 | | | | | | |
| 740381 | B12-12, B12-19 | 747061 | B12-19 | 747330 | B12-13, B12-19 | | | | | | |
| 740382 | B12-12, B12-19 | 747062 | B12-19 | 747331 | B12-13, B12-19 | | | | | | |
| 740383 | B12-12, B12-19 | 747063 | B12-19 | 747332 | B12-13, B12-19 | | | | | | |
| 740384 | B12-12, B12-19 | 747064 | B12-19 | 747333 | B12-13, B12-19 | | | | | | |
| 740452 | B12-12 | 747065 | B12-19 | 747334 | B12-13, B12-19 | | | | | | |
| 740453 | B12-12 | 747066 | B12-19 | 747335 | B12-13, B12-19 | | | | | | |
| 744856 | B12-21 | 747105 | B12-12, B12-13, B12-18, B12-19 | 747336 | B12-13, B12-19 | | | | | | |
| 744857 | B12-21 | 747108 | B12-12, B12-13, B12-18, B12-19 | 747337 | B12-12 | | | | | | |
| 744858 | B12-21 | 747111 | B12-12, B12-13, B12-18 | 747338 | B12-13, B12-19 | | | | | | |
| 744859 | B12-21 | 747115 | B12-12, B12-13, B12-18, B12-19 | 747339 | BB12-13, B12-19 | | | | | | |
| 744860 | B12-21 | 747118 | B12-12, B12-13, B12-18, B12-19 | 747340 | B12-13, B12-19 | | | | | | |
| 744861 | B12-21 | 747121 | B12-12, B12-13, B12-18, B12-19 | | | | | | | | |
| 744862 | B12-21 | 747123 | B12-12, B12-13, B12-18, B12-19 | | | | | | | | |
| 744863 | B12-21 | 747125 | BB12-12, B12-13, B12-18, B12-19 | | | | | | | | |
| 744864 | B12-21 | 747128 | B12-12, B12-13, B12-18, B12-19 | | | | | | | | |
| 744865 | B12-21 | 747130 | B12-12, B12-13 | | | | | | | | |
| 744866 | B12-21 | 747132 | B12-12, B12-13, B12-18, B12-19 | | | | | | | | |
| 744867 | B12-21 | 747137 | B12-12, B12-13, B12-18, B12-19 | | | | | | | | |
| 744868 | B12-21 | 747141 | B12-12, B12-18 | | | | | | | | |
| 744869 | B12-21 | 747143 | B12-12, B12-18 | | | | | | | | |
| 744870 | B12-21 | | | | | | | | | | |
| 744871 | B12-21 | | | | | | | | | | |
| 744872 | B12-21 | | | | | | | | | | |
| 747025 | B12-12 | | | | | | | | | | |
| 747026 | B12-12 | | | | | | | | | | |
| 747027 | B12-12 | | | | | | | | | | |

NOTES



Take-Up Frames

Engineering

Index

KEYWORD INDEX



| | | | |
|--|-----------------|--|--------------------|
| Flingers | B4-3 | Specialty Tapered | |
| Flywheel Formulas | B16-34 | Special Duty | B7-27 |
| Formulas & Constants | B16-34 | All Steel | B7-53 |
| G | | L | |
| GRIP TIGHT | B2-1 - B2-104 | Load Ratings, SLEEVOIL | B14-11 |
| | | Lubrication | |
| | | D-LOK Ball Bearings | B5-5 |
| | | E Family Bearings | B6-13, B6-68 |
| | | Eccentric Collar Ball Bearings | B4-5 |
| | | GRIP-TIGHT | B2-5 |
| | | IMPERIAL | B10-14 |
| | | Setscrew Ball Bearings | B3-5 |
| | | Specialty Tapered | B7-27 |
| | | Unified | B11-24 - B11-25 |
| | | Unisphere | B9-8 |
| H | | M | |
| Hardness Comparison | B16-38 | Maintenance | |
| HD Protected Screw Take-Up Frames | B15-29 - B15-31 | E Family Bearings | B6-13 |
| High Temperature | | Specialty Tapered | B7-27, B7-53 |
| Inch | B8-6 | Material Characteristics | B16-13 |
| Metric | B9-13 | Mathematical Equations | B16-35 |
| How To Order | | Metric Standard Measurement & Conversions | B16-26 |
| D-LOK Ball Bearings | B5-4 | Misalignment | |
| Eccentric Collar Ball Bearings | B4-4 | D-LOK Ball Bearings | B5-5 |
| E-Z KLEEN | B1-4 | Eccentric Collar Ball Bearings | B4-3, B4-5 |
| GRIP-TIGHT | B2-4 | GRIP-TIGHT | B2-5 |
| Imperial ISN | B10-7 | Setscrew Ball Bearings | B3-3, B3-5 |
| International Bearings | B12-4 | Static | B8-3, B8-11, B9-8 |
| S-2000 | B8-6 | Unitized | B8-11, B8-15, B9-8 |
| Setscrew Ball Bearings | B3-4 | Misalignment, Dynamic | B8-3 |
| Sleeve Bearings | B12-4 | Modifications/Accessories | |
| SLEEVOIL | B14-6 | D-LOK Ball Bearings | B5-66 |
| Specialty Tapered | | Eccentric Collar Ball Bearings | B4-84 |
| Type C | B7-6 | Setscrew Ball Bearings | B3-132 |
| Special Duty Hinged Cap | B7-23 | SLEEVOIL | B14-30- B14-38 |
| All Steel | B7-49 | | |
| Take-Up Frames | B15-6 | | |
| Type E | B6-9 | | |
| Unified | B11-9 | | |
| Unisphere | B9-5 | | |
| I | | | |
| IMPERIAL - IP, ISAF AND ISN | B10-1 - B10-78 | | |
| INTERNATIONAL BEARINGS | B12-1 - B12-26 | | |
| Installation | | | |
| E Family Bearings | B6-13, B6-68 | | |

KEYWORD INDEX



| | |
|---|-----------------|
| SLEEVOIL | B14-6 |
| Special Tapered | |
| Type C | B7-5 |
| Special Duty Hinged Cap | B7-22 |
| All Steel | B7-48 |
| Type E, Type K, DOUBLE- INTERLOCK and TAF | B6-8 |
| Unified | B11-8 |
| Unisphere | B9-4 |
| Springlok | B9-3 |
| Strength & Physical Properties of Metals | B16-36 |
| T | |
| TAKE-UP FRAMES | B15-1 - B15-44 |
| Baseplates | B15-40 - B15-43 |
| Top Angle | B15-14 - B15-18 |
| Stainless Steel Screws | B15-6 - B15-7 |
| Torque & Horsepower Equivalents | B16-30 |
| TPHU Take-Up Frames | B15-17 - B15-20 |
| Trigonometric Formula | B16-38 |
| TYPE E, TYPE K, DOUBLE- INTERLOCK & TAF | B6-1 - B6-74 |
| U | |
| U.S. Standard Sheet Metal Gages | B16-27 |
| UNIFIED | B11-1 - B11-134 |
| UNISPHERE | B9-1 - B9-25 |
| V | |
| V-Belt Sheave Groove Dimensions | B16-11 |
| Vibration Detector Adapter Kit, SLEEVOIL | B14-33 |
| Vibration Frequencies | B16-2 |
| W | |
| Weights/Properties of Steel Shafting | B16-21 |
| Wide Slot Take-Up Frames | B15-11 - B15-13 |

NOTES



Take-Up Frames

Engineering

Index



For Additional information about DODGE Bearing Products,
DODGE Gearing Products or DODGE PT Components:

- > contact your local authorized DODGE Distributor
- > contact us at **864.297.4800**
- > visit us on the web at
www.dodge-pt.com
www.PTplace.com



World Headquarters

P.O. Box 2400, Fort Smith, AR 72902-2400 U.S.A., Ph: (1) 479.646.4711, Fax (1) 479.648.5792, International Fax (1) 479.648.5895

Baldor - Dodge

6040 Ponders Court, Greenville, SC 29615-4617 U.S.A., Ph: (1) 864.297.4800, Fax: (1) 864.281.2433

www.baldor.com