



# CRAFT BEARINGS

Quality Minded



## AGRICULTURAL CATALOG



[www.craft-bearings.com](http://www.craft-bearings.com)





**CRAFT  
BEARINGS**

# CRAFT BEARINGS

Produces and supplies comprehensive range of  
industrial and automotive bearings globally





METAL CHEMICAL  
COMPOSITION



HARDNESS &  
AXIAL CLEARANCE



DIMENSIONAL  
MEASUREMENT



RADIAL CLEARANCE



## QUALITY CONTROL LABORATORY

We have the latest measurement and quality-assurance systems utilizing high-quality and precise measuring equipment with which we conduct all necessary tests to guarantee high quality of entire production



BEARING LIFE



GREASE LEAKAGE  
& DUSTPROOFING



NOISE & VIBRATION



WAVING & ROUGHNESS



**CONTINUOUS PARTICIPATION IN AUTOSPORT**



**WORKING WITH 80 COUNTRIES WORLDWIDE**



**CRAFT BEARINGS QUALITY CONTROL LABORATORY 5**

**AGRICULTURAL RANGE 8**

**DEEP GROOVE BALL BEARINGS 9**

Type 1 .....	11
Type 2 .....	11
Type 3 .....	12
Type 4 .....	12
Type 5 .....	13
Type 6 .....	13
Type 7 .....	14
Type 8 .....	14
Type 9 .....	15
Type 10 .....	15
Type 11 .....	16
Type 12 .....	16
Type 13 .....	17
Type 14 .....	17
Type 15 .....	18
Type 16 .....	18

**ANGULAR CONTACT BALL BEARINGS 19**

Type 1 .....	20
Type 2 .....	20
Type 3 .....	21

**INSERT BALL BEARINGS 22**

Type 1 .....	23
Type 2 .....	24
Type 3 .....	24
Type 4 .....	25

**BEARING UNITS 26**

Type 1 .....	27
Type 2 .....	27
Type 3 .....	28
Type 4 .....	28
Type 5 .....	29
Type 6 .....	29

**SELF ALIGNING BALL BEARINGS 30**

Type 1 .....	31
--------------	----

**JOINT CROSS 32**

**CROSS REFERENCE 33**

**SHORT KEY TABLE 38**

## CRAFT bearings Quality Control Laboratory

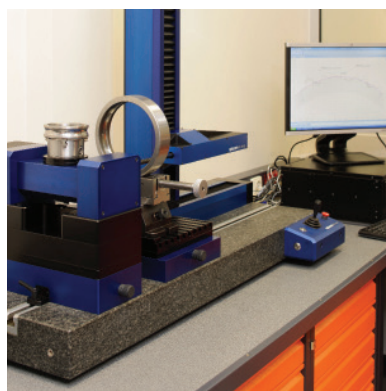
All CRAFT bearings production is guaranteed because it is tested twice to meet high standards: first in the factory and second time in the CRAFT bearings Quality Control Laboratory in Kaunas, Lithuania.

The CRAFT bearings Quality Control Laboratory was established in 2012 with the help of University of Technology. We conduct all necessary tests with the latest measurement and quality-assurance systems utilizing high-quality and precise measuring equipment:

- Bearing Life (Longevity)
- Bearing Waviness
- Noise and Vibration
- Radial and Axial clearance
- Hardness
- Geometry
- Metal structure
- Roundness
- Roughness
- Grease leakage
- Dimension measurement
- Spectroscopic analysis



## Roughness, Roundness and Form analysis



Characterization of surface topography is important in applications involving friction, lubrication and wear. Generally it has been found that friction increases with average roughness.

An accurate knowledge of the expected bearing life is essential to the proper selection of ball bearings. Bearings principally fail due to fatigue if they are properly lubricated, mounted and sealed against dirt entry. Fatigue strongly correlates with the surface roughness. One of the most important fundamental forms for engineering components is the circular cross-section. Circular forms arise in many applications, particularly in bearing surfaces. Roughness, roundness and bearing forms' testers are critically important elements in the development of precision-tolerance capabilities. For such measurements, we use the German-made OPTACOM surface measuring machine VC-10-EL.

## Noise and vibration testing for bearings

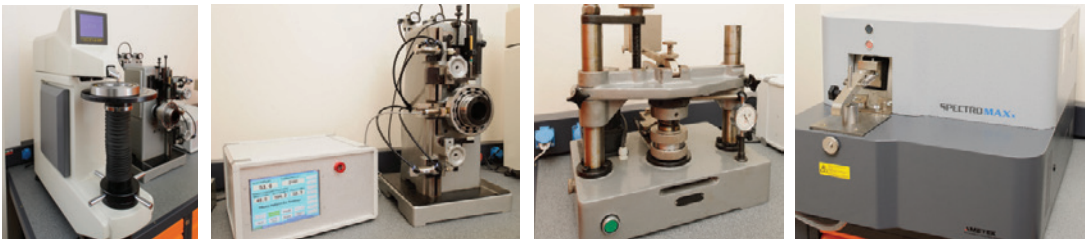
A noisy application might be caused by wavy bearing components, local defects in the rings and balls or by dirt particles in the bearing. While basic requirements for a bearing such as stiffness, load capacity, speed limit and service life play a critical role in applications, low noise and vibration are even more important.

All of these quality issues for bearings can be tested with the following bearing vibration equipment: SN-X, S9912-X. High-tech analyses and measurements such as frequency analysis and further advanced analyses pinpoint faults. Spectral masks help to optimize the bearing performance in the particular customer application. With some experience, the measurement results of these machines can also be used by experts to detect imperfect manufacturing steps. The introduction of a worldwide calibration system enables vibration equipment to operate according to international standards.



## Hardness Testing for bearings

Hardness is the property of a material that enables it to resist plastic deformation, usually by penetration. Hardness is not an intrinsic material property dictated by precise definitions in terms of fundamental units of mass, length and time. A hardness property value is the result of a defined measurement procedure. The hardness test of bearing surfaces is conducted with the SHR-3000 tester using the Rockwell hardness test method. The Rockwell hardness test method consists of indenting the test material with a diamond cone or a hardened steel ball indenter. The indenter is forced into the test material under a preliminary minor load of usually 150 kg. When equilibrium has been reached, an indicating device which follows the movements of the indenter and responds to changes in depth of penetration of the indenter is set to a datum position.



## Axial & Radial Internal Clearance testing for bearings

A bearing's internal clearance is defined as the total distance in which one bearing ring can be moved in relation to the other in the radial direction (radial internal clearance) or in the axial direction (axial internal clearance). Too little or too much internal clearance will significantly influence factors such as heat, vibration, noise and fatigue life. In extreme applications that produce high or low temperatures, this clearance needs to be considered in the overall design to compensate for thermal expansion and contraction of housings and shafts. Bearings having an internal clearance other than Normal are identified by the suffixes C1 to C5.

## Materials testing for bearings rings and rolling elements

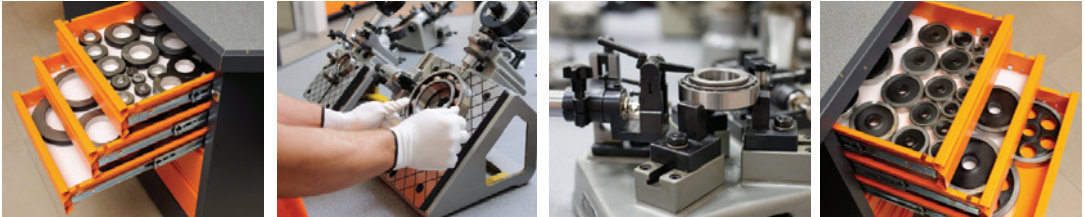
There are essentially two choices for the material used in ball bearings - chrome steel or stainless steel. Since the material plays a major part in the performance of a bearing in any given application, it is very important to use the correct material. Note that the specified material applies to the load-bearing components only - the rings and the balls. The retainer and the shields, if used, are usually made from a different material and are subject to separate specifications. Chrome steel is the standard material used for ball bearing applications where load capacity is the main consideration. The machinability of this steel is excellent, giving smooth, low-noise raceway finishes together with superior life. A chrome steel material is recommended in applications where corrosion is not a factor. Stainless steel is the standard material for miniature and instrument ball



recommended in applications where corrosion is not a factor. Stainless steel is the standard material for miniature and instrument ball bearings where corrosion resistance is more important than load capacity. These materials have evolved in response to different manufacturing and application needs. It is important to note that the actual material used is generally determined by the manufacturer and cannot be specified by the user.

The bearing's metal structure is easily determined using the analytical instrument SPECTROMAXx made in Germany. This instrument is able to monitor the carbon signal during the pre-spark phase and to recognize the existence and proportion of free graphite in the sample.

### Dimension measuring for bearings parts



The Universal Length Measurer (ULM) is a kind of length measuring instrument that integrates fine mechanics, an optical system and electrical parts into an organic whole. This instrument is used for direct measurement and comparative measurement for dimensions of parts and components. It also offers additional equipment for carrying out various special measurements.

Bearing "tolerances", or dimensional accuracy and running accuracy, are regulated by ISO standards. For dimensional accuracy, these standards prescribe the tolerances necessary when installing bearings on shafts or in housings. Running accuracy is defined as the allowable limits for bearing runout during operation. Dimensional accuracy constitutes the acceptable values for bore diameter, outer diameter, assembled bearing width and bore diameter uniformity in chamfer dimensions, allowable inner ring tapered bore deviation and shape error. Average bore diameter variation, outer diameter variation, average outer diameter unevenness as well as raceway width and height variation (for thrust bearings) are also included. Running accuracy constitutes the acceptable values for inner and outer ring radial runout and axial runout, inner ring side runout and outer ring outer diameter runout. All these dimensions of the bearing parts are measured with high-quality equipment.

### Bearing life and grease leakage testing

Bearings are run to failure, using accelerated speeds and loads and continuous vibration monitoring. Bearing life testing confirms that any changes to components, materials or the manufacturing process will not negatively impact the bearing's characteristics.

Proper lubrication is a crucial factor in maximizing bearing service life. Contamination can have a great impact on the grease service life and the bearing service life itself. Using high-quality measuring and test equipment, CRAFT bearings conducts grease-leaking and bearing-life research.



Nowadays demand of agricultural industry is constantly increasing for solutions of agricultural equipment, which is continuously operating longer and faster to increase productivity and efficient yield from crop production in changing industry with every season. To serve the needs of the agricultural machinery, CRAFT bearings has developed and successfully introduced agricultural bearing range. This range is designed for a long service life while operating in harsh environments of mud, rain, corrosive chemicals, extreme heat and heavy loads, while ensuring sufficient resistance against all that.

CRAFT bearings understands the needs of modern farmers therefore applies modern technologies in bearing manufacturing process, uses the best materials for greater endurance under heavy-load conditions and after all puts them to the test in CRAFT bearings Quality Control Laboratory to guarantee efficient performance when operating in the field with minimal work stops. The performance advantages of CRAFT bearings agricultural range have led to its quick adoption by farmers worldwide.

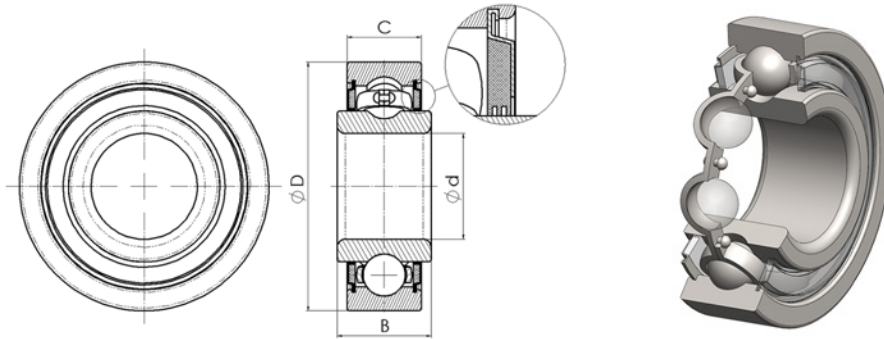
Reinforced generation of CRAFT bearings agricultural range comes with exclusive short key **CA000** and offers high-performance bearing solution designed for saving precious hours while working in harsh conditions in the field. Optimized internal bearing design gives the possibility for higher loads, faster and more reliable operating of machinery. Due to innovations, along with advanced manufacturing techniques, bearing's performance and reliability are improved in tough agricultural applications. Longer bearing's life span due to powerful sealing and bigger loading rate. Excellent rust resistance, which can prevent corrosion in the process of running bearings. Furthermore, CRAFT bearings' new friction management solution with low noise oil ensures low torque and good start performance after long periods of inactivity.



Series	Features
Type 1	<ul style="list-style-type: none"> <li>• Radial contact single row ball bearings</li> <li>• Extended inner ring on both sides</li> <li>• Cylindrical inner bore</li> <li>• Cylindrical outer ring</li> <li>• Triple lip sealing</li> </ul>
Type 2	<ul style="list-style-type: none"> <li>• Radial contact single row ball bearings</li> <li>• Extended inner ring on both sides</li> <li>• Hexagonal inner bore</li> <li>• Cylindrical outer ring</li> <li>• Triple lip sealing</li> </ul>
Type 3	<ul style="list-style-type: none"> <li>• Radial contact single row ball bearings</li> <li>• Extended inner ring on both sides</li> <li>• Hexagonal inner bore</li> <li>• Spherical outer ring</li> <li>• Triple lip sealing</li> </ul>
Type 4	<ul style="list-style-type: none"> <li>• Radial contact single row ball bearings</li> <li>• Extended inner ring on both sides</li> <li>• Square inner bore</li> <li>• Spherical outer ring</li> <li>• Triple lip sealing</li> </ul>
Type 5	<ul style="list-style-type: none"> <li>• Radial contact ball bearings</li> <li>• Extended inner ring on both sides</li> <li>• Cylindrical inner bore</li> <li>• Spherical outer ring</li> <li>• Triple lip sealing</li> </ul>
Type 6	<ul style="list-style-type: none"> <li>• Radial contact single row bearings</li> <li>• Cylindrical inner and outer rings</li> <li>• For agricultural machinery</li> </ul>

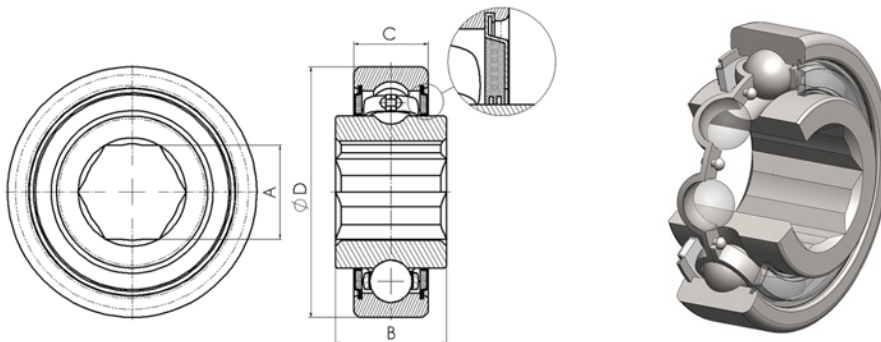
Series	Features
Type 7	<ul style="list-style-type: none"> <li>• Radial contact single row bearings</li> <li>• Cylindrical inner and outer rings</li> <li>• Special lip sealing</li> <li>• For agricultural machinery</li> </ul>
Type 8	<ul style="list-style-type: none"> <li>• Radial contact single row bearings</li> <li>• Cylindrical inner bore</li> <li>• Spherical outer ring</li> <li>• Lubrication groove</li> <li>• Triple lip sealing</li> </ul>
Type 9	<ul style="list-style-type: none"> <li>• Radial contact single row bearings</li> <li>• Cylindrical inner and outer rings</li> <li>• Open type (no seals)</li> </ul>
Type 10	<ul style="list-style-type: none"> <li>• Radial contact single row bearings</li> <li>• Square inner bore</li> <li>• Spherical outer ring</li> <li>• Triple lip sealing</li> </ul>
Type 11	<ul style="list-style-type: none"> <li>• Radial contact single row bearings</li> <li>• Cylindrical inner bore</li> <li>• Spherical outer ring</li> <li>• Triple lip sealing</li> <li>• For agricultural machinery</li> </ul>
Type 12	<ul style="list-style-type: none"> <li>• Radial contact single row bearings</li> <li>• Cylindrical inner bore</li> <li>• Spherical outer ring</li> <li>• Adapter sleeve complete</li> </ul>
Type 13	<ul style="list-style-type: none"> <li>• Radial contact single row bearings</li> <li>• Cylindrical inner bore</li> <li>• Cylindrical outer ring</li> <li>• Adapter sleeve, complete</li> </ul>
Type 14	<ul style="list-style-type: none"> <li>• Radial contact single row bearings</li> <li>• Extended inner ring on both sides</li> <li>• Square inner bore</li> <li>• Cylindrical outer ring</li> <li>• Special sealing</li> </ul>
Type 15	<ul style="list-style-type: none"> <li>• Radial contact single row bearings</li> <li>• Extended inner ring to one side</li> <li>• Special seals, for this type bearing</li> </ul>
Type 16	<ul style="list-style-type: none"> <li>• Radial contact single row bearings</li> <li>• Hexagonal inner bore</li> <li>• Extended inner ring on both sides</li> <li>• Spherical outer ring</li> </ul>

Type 1



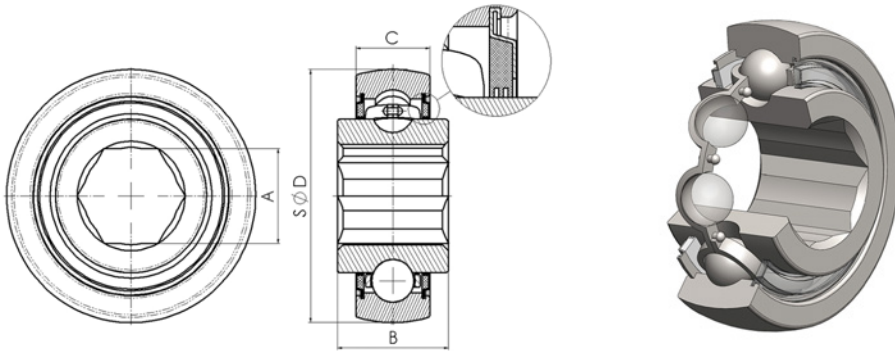
CRAFT	Dimensions (mm)				Basic Load Ratings (N)		Weight (kg)
	d	D	C	B	Dyn. C	Stat. C <sub>0</sub>	
WIR21031	49.212	90.000	20.000	49.212			0.715
WIR21133	52.388	100.000	21.000	55.562			1.094
WIR21239	61.912	110.000	22.000	61.912			1.267
203KRRAH02.CA023	16.256	40.000	12.000	18.288	9570	4790	0.080
203KRRAH05.CA005	13.081	40.000	12.000	18.288	9570	4790	0.100
204KRR.CA039	20.000	47.000	14.000	17.700	12800	6650	0.250
207KRRAH03.CA042	35.000	72.000	17.000	25.000	25700	15300	0.550

Type 2



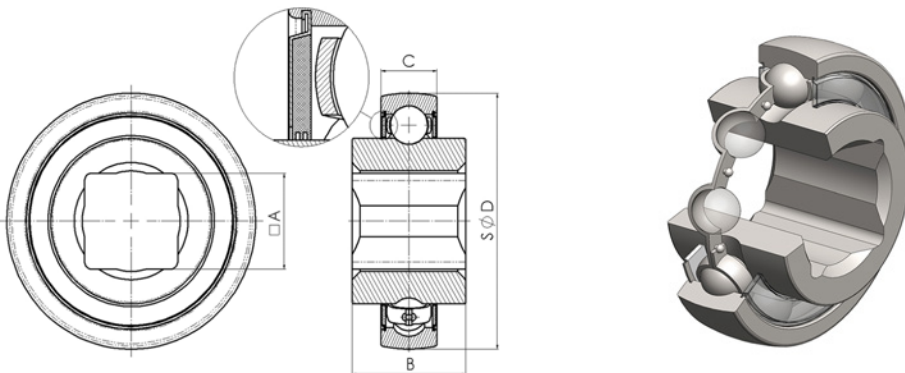
CRAFT	Dimensions (mm)				Basic Load Ratings (N)		Weight (kg)
	A	D	C	B	Dyn. C	Stat. C <sub>0</sub>	
W208PP16.CA009	31.780	80.000	18.000	36.500	29500	18100	0.670
204KRR2.CA011	17.653	47.000	14.000	20.955	12800	6650	0.150

Type 3



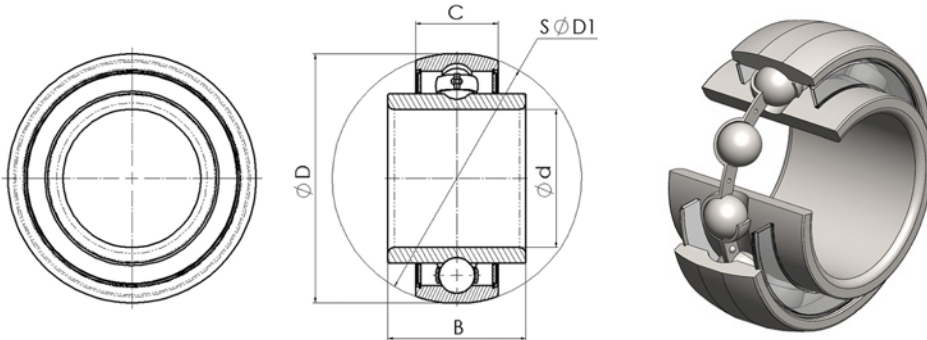
CRAFT	Dimensions (mm)				Basic Load Ratings (N)		Weight (kg)
	A	SØD	C	B	Dyn. C	Stat. C <sub>0</sub>	
204KRRB2.CA013	17.653	47.000	14.000	20.955	12800	6650	0.150
208KRRB8.CA038	31.770	80.000	21.000	36.530	32630	19890	0.620
205KRRBAH02.CA040	22.250	52.000	15.000	25.400	14000	7850	0.440
206KRRBAH06.CA041	25.400	62.000	16.000	24.000	19500	11300	0.500
207KRRBAH09.CA043	28.575	72.000	17.000	37.700	25670	15300	0.870
210KRRBAH02.CA044	32.125	90.000	22.000	30.000	35000	23200	0.980

Type 4



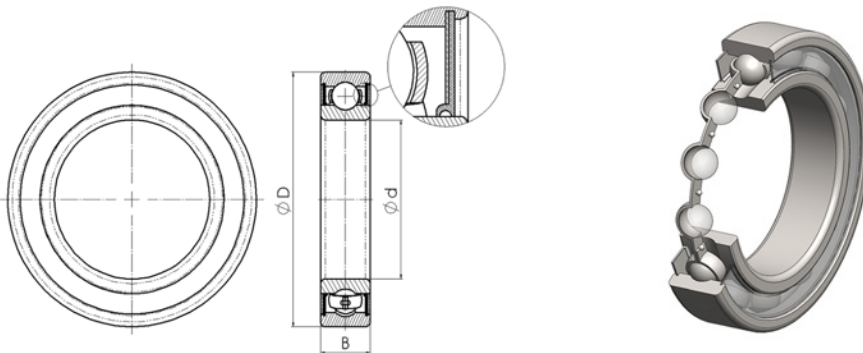
CRAFT	Dimensions (mm)				Basic Load Ratings (N)		Weight (kg)
	A	SØD	C	B	Dyn. C	Stat. C <sub>0</sub>	
W208PPB8	29.972	80.000	30.175	36.520	32650	16250	0.670
W210PPB6	29.970	90.000	30.180	36.530	35050	20684	1.021
W208PPB5.CA070	29.972	80.000	18.000	36.500	29500	18100	1.450
W208PPB5	29.972	80.000	18.000	36.500	29500	18100	1.450

Type 5



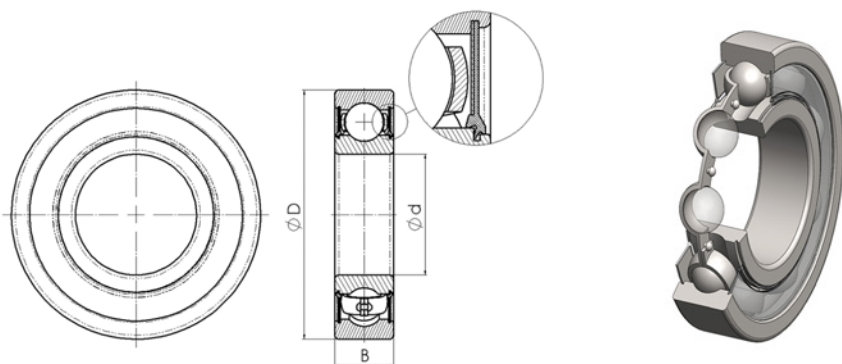
CRAFT	Dimensions (mm)					Basic Load Ratings (N)		Weight (kg)
	d	D	SØD1	C	B	Dyn. C	Stat. C <sub>0</sub>	
ST627	55.562	100.000	100.500	33.340	55.562	-	-	1.100
EZ410WSS	49.228	125.000	125.625	40.000	53.000	63890	49380	2.326

Type 6



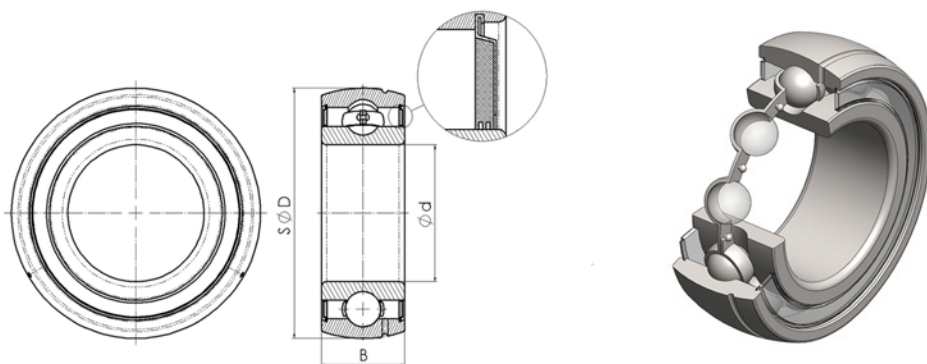
CRAFT	Dimensions (mm)			Basic Load Ratings (N)		Weight (kg)
	d	D	B	Dyn. C	Stat. C <sub>0</sub>	
60102RS.CA026	50.000	80.000	16.000	22020	16250	0.260

## Type 7



CRAFT	Dimensions (mm)			Basic Load Ratings (N)		Weight (kg)
	d	D	B	Dyn. C	Stat. C <sub>0</sub>	
62072RS.CA036	35.000	72.000	17.000	25670	15300	0.274
6204.CA075	20.000	47.000	14.000	12840	6650	0.107
6205.CA077	25.000	52.000	15.000	14020	7880	0.121
6206.CA079	30.000	62.000	16.000	19460	11310	0.193
6208.CA074	40.000	80.000	18.000	29520	18140	0.353
SL53162T	16.000	53.086	19.400	14020	7820	0.280

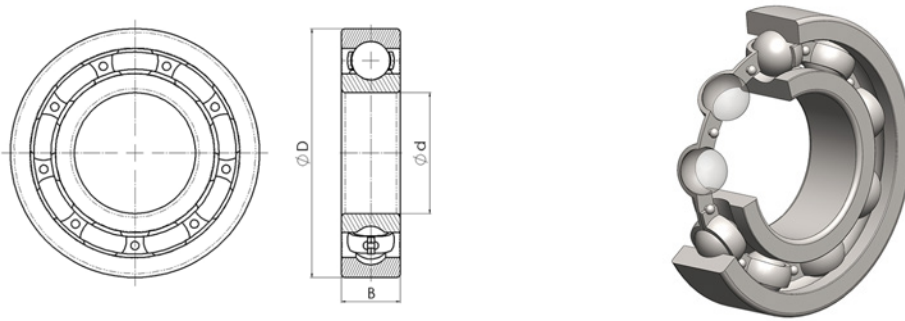
## Type 8



CRAFT	Dimensions (mm)			Basic Load Ratings (N)		Weight (kg)
	d	SØD	B	Dyn. C	Stat. C <sub>0</sub>	
GW210PPB2.CA045	49.225	90.000	30.175	35000	23200	1.500
GW211PPB2.CA046	55.575	100.000	33.325	43500	29200	2.620

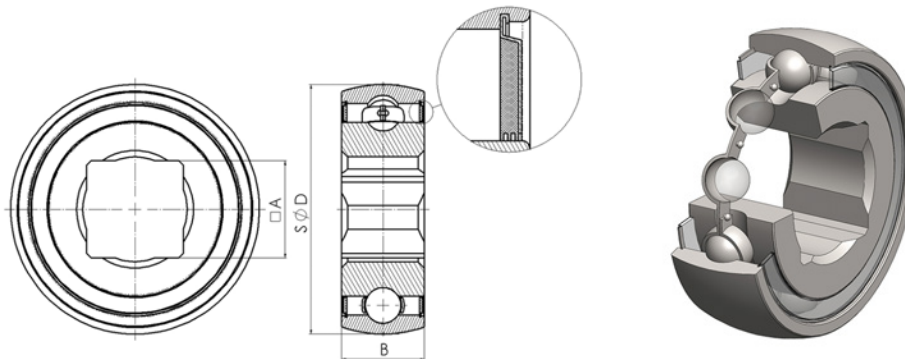


Type 9



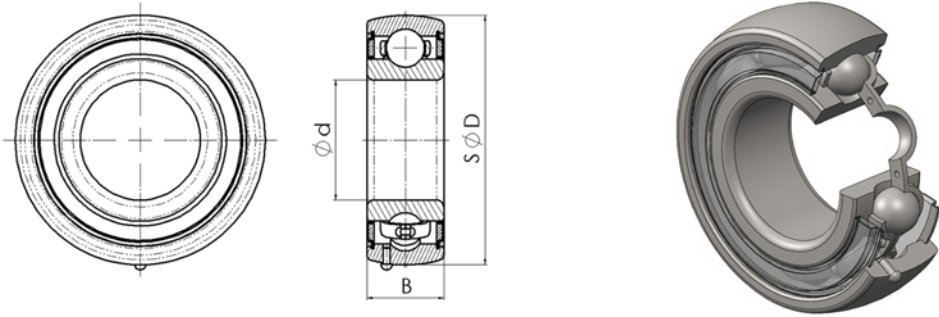
CRAFT	Dimensions (mm)			Basic Load Ratings (N)		Weight (kg)
	d	D	B	Dyn. C	Stat. C <sub>0</sub>	
6207.CA035	35.000	72.000	17.000	25670	15300	0.273
6207.CA037	35.000	72.000	17.000	25670	15300	0.274

Type 10



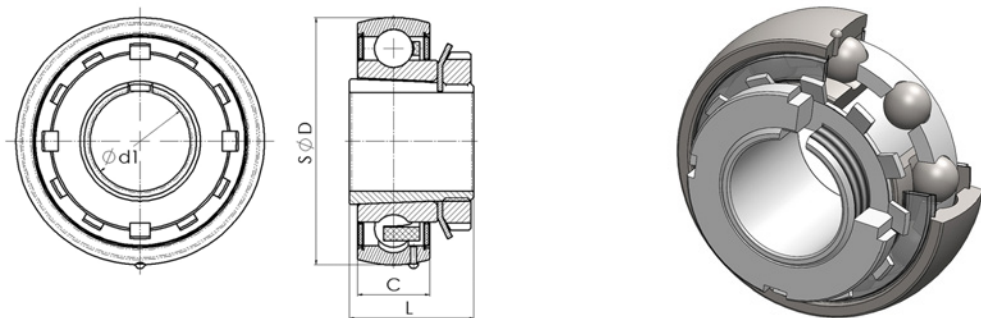
CRAFT	Dimensions (mm)			Basic Load Ratings (N)		Weight (kg)
	A	SφD	B	Dyn. C	Stat. C <sub>0</sub>	
W211PPB3	38.890	100.000	33.340	9740	5850	1.207

Type 11



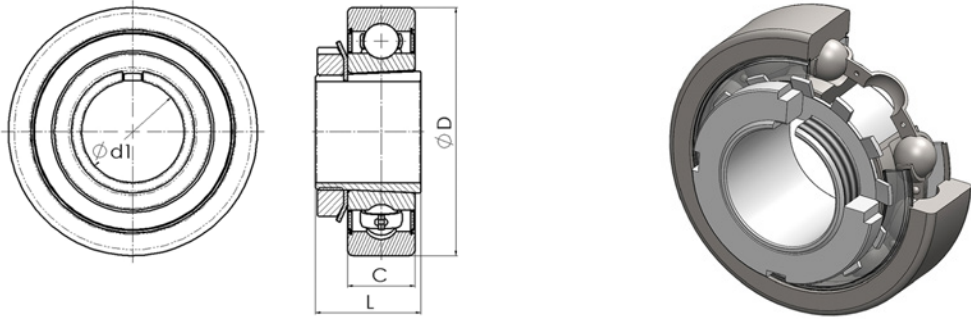
CRAFT	Dimensions (mm)			Basic Load Ratings (N)		Weight (kg)
	d	SØD	B	Dyn. C	Stat. C <sub>0</sub>	
1580204	20.000	47.000	15.000	9800	6650	0.102
1580205	25.000	52.000	16.000	10800	8000	0.100
1580206	30.000	62.000	18.000	15000	11200	0.200
1580207	35.000	72.000	20.000	19600	15300	0.316
1580208	40.000	80.000	18.000	20000	15700	0.391
1580209	45.000	85.000	21.000	25000	20400	0.452
1580211	55.000	100.000	23.000	33500	29000	0.640

Type 12



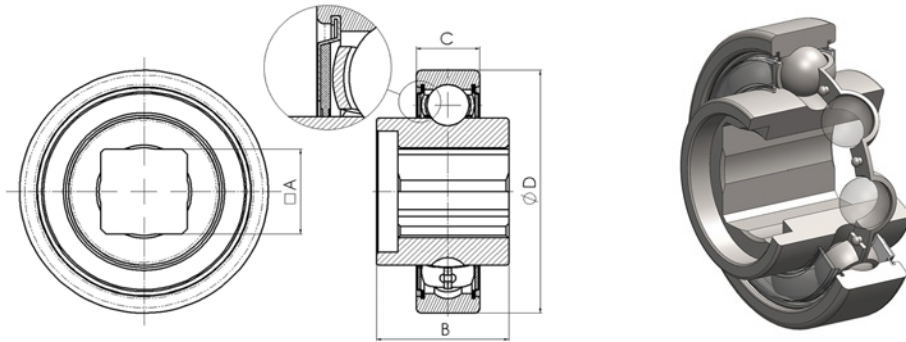
CRAFT	Dimensions (mm)				Basic Load Ratings (N)		Weight (kg)
	d1	SØD	C	L	Dyn. C	Stat. C <sub>0</sub>	
1680204	20.000	52.000	16.000	29.000	10800	8000	0.231
1680205	25.000	62.000	18.000	31.000	15000	11200	0.340
1680206	30.000	72.000	20.000	35.000	19600	15300	0.480
1680207	35.000	80.000	21.000	36.000	22400	18000	0.610
1680208	40.000	85.000	21.000	39.000	25000	20400	0.655
1680209	50.000	90.000	32.000	42.000	31780	21100	0.748

Type 13



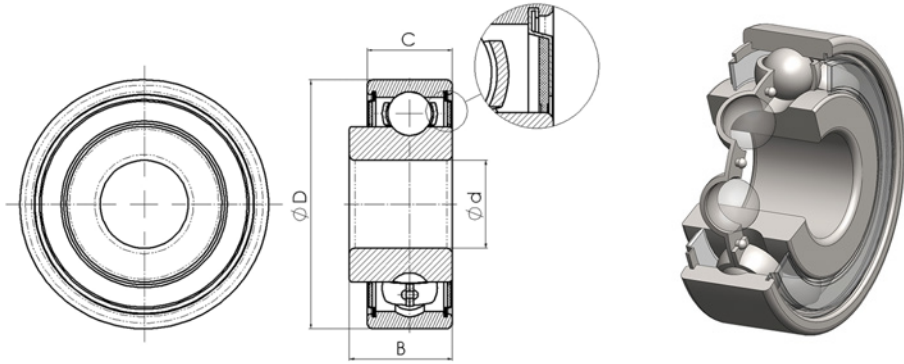
CRAFT	Dimensions (mm)				Basic Load Ratings (N)		Weight (kg)
	d1	D	C	L	Dyn. C	Stat. C <sub>0</sub>	
380708	40.000	85.000	23.000	39.000	25000	20400	0.800

Type 14



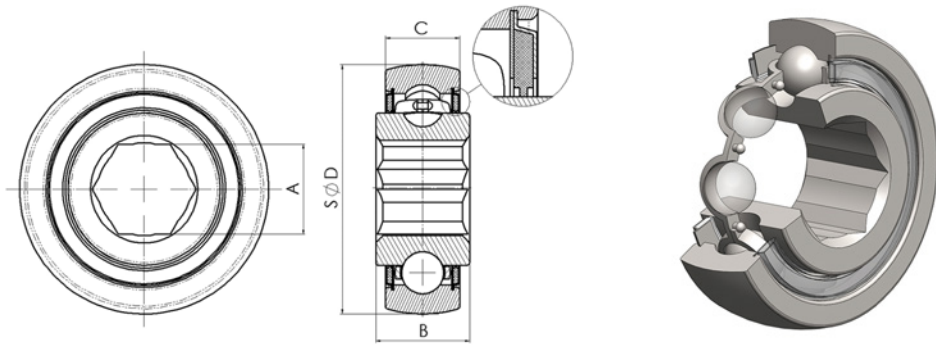
CRAFT	Dimensions (mm)				Basic Load Ratings (N)		Weight (kg)
	A	D	C	B	Dyn. C	Stat. C <sub>0</sub>	
SLE4716S2RS	16.400	47.000	12.000	25.000	81000	52000	0.110

Type 15

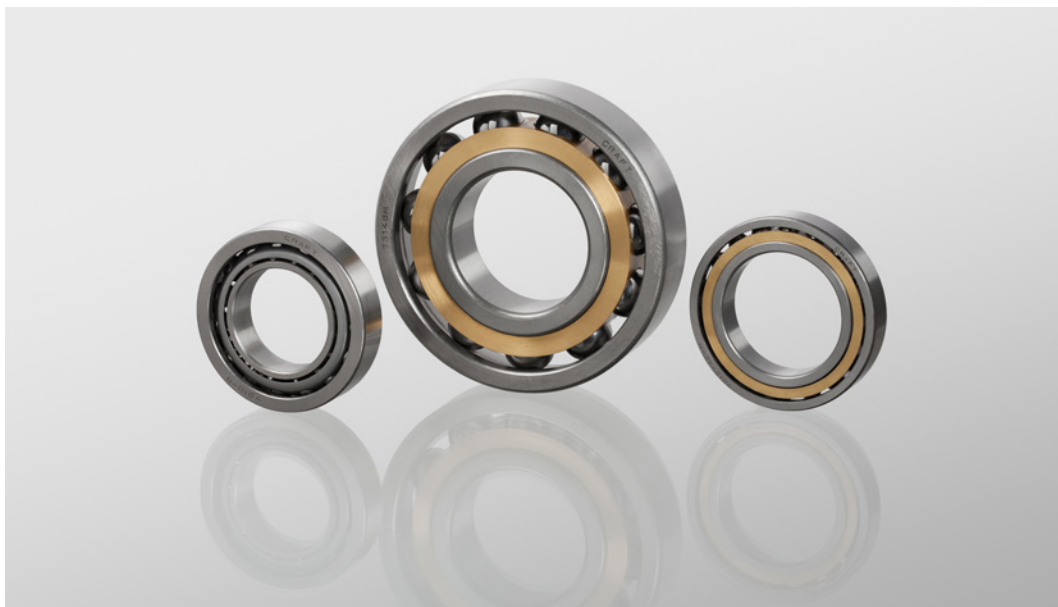


CRAFT	Dimensions (mm)				Basic Load Ratings (N)		Weight (kg)
	d	D	C	B	Dyn. C	Stat. C <sub>0</sub>	
06C042Z	16.027	42.225	15.400	18.672	-	-	0.132

Type 16

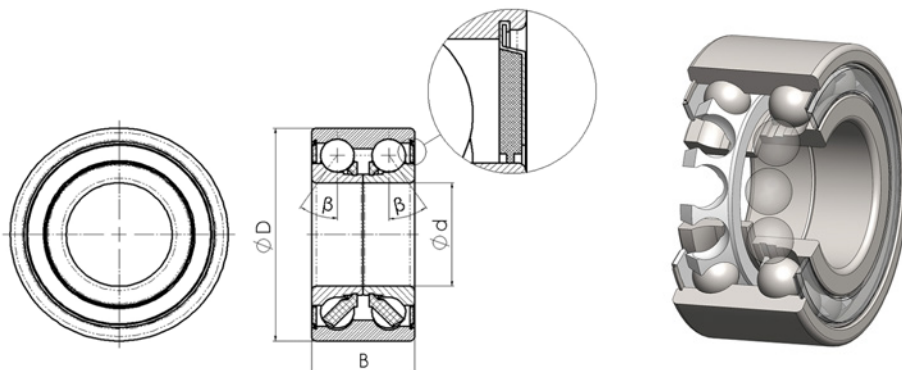


CRAFT	Dimensions (mm)				Basic Load Ratings (N)		Weight (kg)
	A	S $\phi$ D	C	B	Dyn. C	Stat. C <sub>0</sub>	
SKE17204KRRB	17.000	47.000	14.000	17.700	13600	6600	0.120



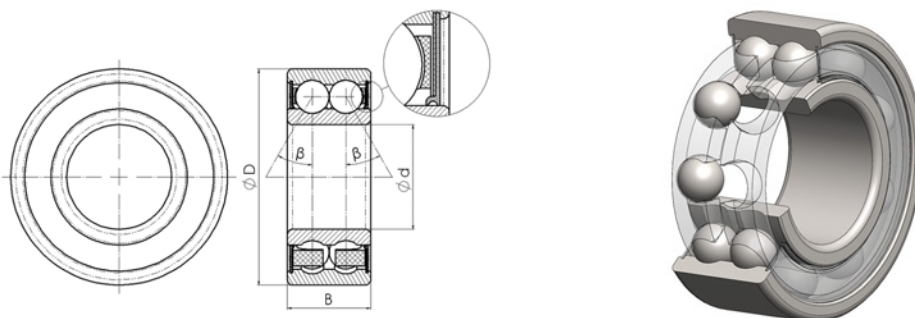
Series	Features
Type 1	<ul style="list-style-type: none"> <li>• Double row angular contact ball bearings</li> <li>• Split inner ring</li> <li>• Plain outer ring</li> </ul>
Type 2	<ul style="list-style-type: none"> <li>• Double row angular contact ball bearings</li> <li>• Plain inner ring</li> <li>• Plain outer ring</li> </ul>
Type 3	<ul style="list-style-type: none"> <li>• Double row angular contact ball bearings</li> <li>• Extended plain inner ring</li> <li>• Plain outer ring</li> </ul>

## Type 1



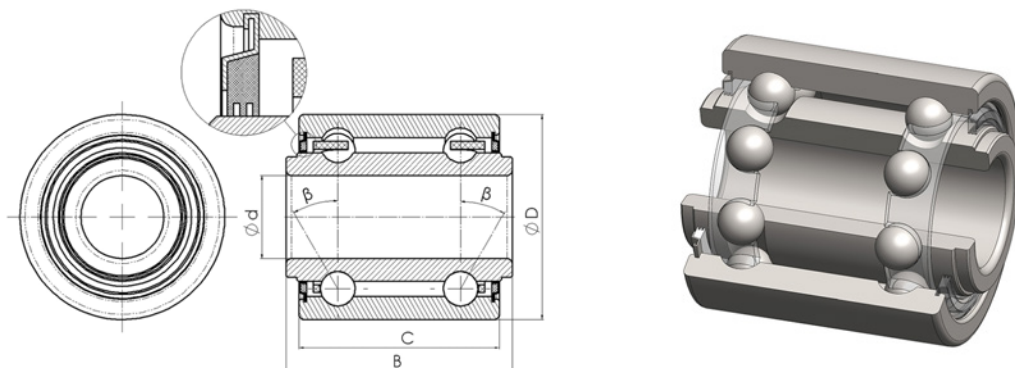
CRAFT	Dimensions (mm)			Basic Load Ratings (N)		Weight (kg)
	d	D	B	Dyn. C	Stat. C <sub>0</sub>	
357234/3198750	35.000	72.000	34.000	42600	32100	0.580
DAC30620030	30.000	62.000	37.000	30520	2510	0.381

## Type 2



CRAFT	Dimensions (mm)			Basic Load Ratings (N)		Weight (kg)
	d	D	B	Dyn. C	Stat. C <sub>0</sub>	
3206B2RS1.CA014	30.000	62.000	23.800	28500	20200	0.290
5206KPP3.CA022	30.000	62.000	50.000	29000	20700	0.520
SL33032S	17.000	47.000	24.200	19600	12400	0.202

Type 3



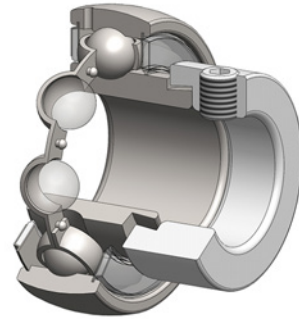
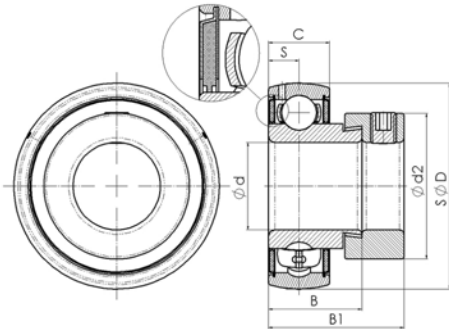
CRAFT	Dimensions (mm)				Basic Load Ratings (N)		Weight (kg)
	d	D	C	B	Dyn. C	Stat. C <sub>0</sub>	
SL52032T.CA007	16.195	40.000	39.120	44.120	14200	8800	0.220
SL52032T	16.195	40.000	39.120	44.120	14200	8800	0.220



Series	Features
Type 1	<ul style="list-style-type: none"> <li>• Insert ball bearings with lock collar ring</li> <li>• Cylindrical bore</li> <li>• Extended inner ring to one side</li> <li>• Sealing with zinc coated steel shield</li> </ul>
Type 2	<ul style="list-style-type: none"> <li>• Insert ball bearings with lock collar ring</li> <li>• Cylindrical inner bore</li> <li>• Extended inner ring to both sides</li> <li>• Triple lip sealing</li> </ul>
Type 3	<ul style="list-style-type: none"> <li>• Insert ball bearings with lock collar ring</li> <li>• Cylindrical inner bore</li> <li>• Extended inner ring to both sides</li> <li>• Standard sealing</li> </ul>
Type 4	<ul style="list-style-type: none"> <li>• Insert ball bearings with lock collar ring</li> <li>• Cylindrical inner bore</li> <li>• Extended inner ring to one side</li> <li>• RRB type seals</li> </ul>

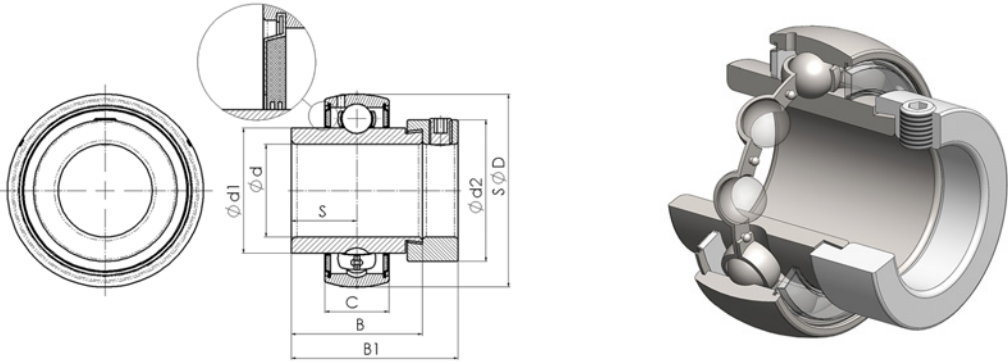


Type 1



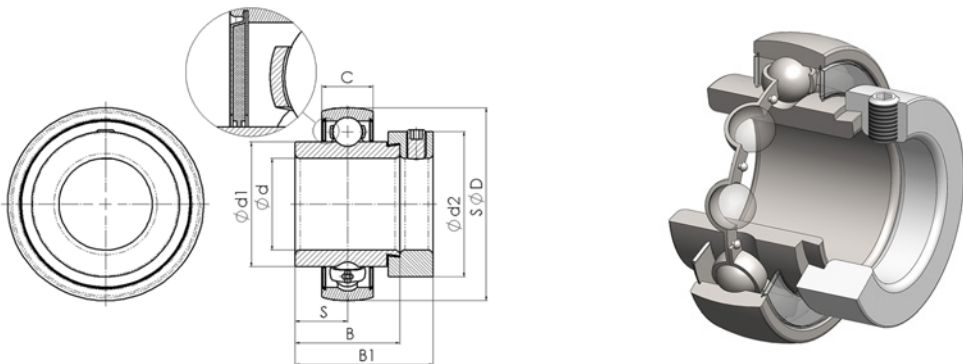
CRAFT	Dimensions (mm)							Basic Load Ratings (N)		Weight (kg)
	d	SØD	C	B	B1	S	d2	Dyn. C	Stat. C <sub>0</sub>	
GRAE30NPPB.CA029	30.000	62.000	18.000	23.800	35.700	9.000	44.500	19500	11300	0.320
GRAE35NPPB.CA030	35.000	72.000	19.000	25.400	38.900	9.500	55.600	25700	15300	0.420
GRAE25NPPB.CA031	25.000	52.000	15.000	24.400	31.000	7.500	38.100	14000	7850	0.200
GRAE45NPPB.CA033	45.000	85.000	22.000	30.200	43.700	11.000	63.500	31600	20600	0.760
GRAE20NPPB.CA034	20.000	47.000	14.000	21.400	31.000	7.000	33.300	12800	6650	0.160
GRAE40NPPB.CA072	40.000	80.000	21.000	30.200	43.700	10.500	60.000	29500	18100	0.600
GRAE20NPPB	20.000	47.000	14.000	21.400	31.000	7.000	33.300	12800	6650	0.160
GRAE25NPPB	25.000	52.000	15.000	24.400	31.000	7.500	38.100	14000	7850	0.200
GRAE30NPPB	30.000	62.000	18.000	23.800	35.700	9.000	44.500	19500	11300	0.320
GRAE40NPPB	40.000	80.000	21.000	30.200	43.700	10.500	60.000	29500	18100	0.600

Type 2



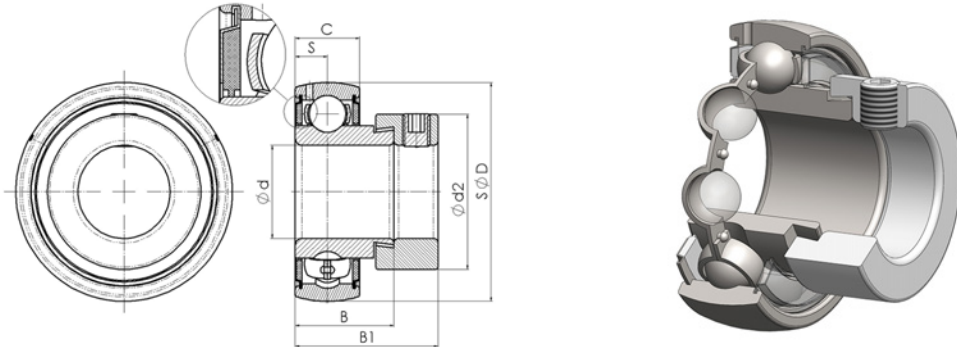
CRAFT	Dimensions (mm)								Basic Load Ratings (N)		Weight (kg)
	d	d1	SØD	C	B	B1	S	d2	Dyn. C	Stat. C <sub>0</sub>	
GE30KRRB.CA028	30.000	40.000	62.000	18.000	36.400	48.300	18.200	44.500	19500	1120	0.310
GE25KRRB.CA061	25.000	33.800	52.000	17.000	34.800	44.300	17.400	38.100	14000	7850	0.250
GE35KRRB.CA062	35.000	46.800	72.000	19.000	37.700	51.300	18.800	55.000	27500	15300	0.585
GE40KRRB.CA063	40.000	52.300	80.000	21.000	42.900	56.500	21.400	58.000	34500	19800	0.740
GE45KRRB.CA064	45.000	57.900	85.000	22.000	42.900	56.500	21.400	63.000	34500	20400	0.810
GE50KRRB.CA065	50.000	62.800	90.000	22.000	49.200	62.800	24.600	69.000	37500	23200	1.016
GE25KRRB	25.000	33.800	52.000	17.000	34.800	44.300	17.400	38.100	14000	7850	0.250
GE30KRRB	30.000	40.000	62.000	18.000	36.400	48.300	18.200	44.500	19500	1120	0.310
GE35KRRB	35.000	46.800	72.000	19.000	37.700	51.300	18.800	55.000	27500	15300	0.585
GE40KRRB	40.000	52.300	80.000	21.000	42.900	56.500	21.400	58.000	34500	19800	0.740
GE45KRRB	45.000	57.900	85.000	22.000	42.900	56.500	21.400	63.000	34500	20400	0.810
GE50KRRB	50.000	62.800	90.000	22.000	49.200	62.800	24.600	69.000	37500	23200	1.016

Type 3



CRAFT	Dimensions (mm)								Basic Load Ratings (N)		Weight (kg)
	d	d1	SØD	C	B	B1	d2	Dyn. C	Stat. C <sub>0</sub>		
LY2081082FSH.CA020	38.100	51.700	80.000	21.000	42.800	56.300	60.300	29600	18200	0.800	

Type 4

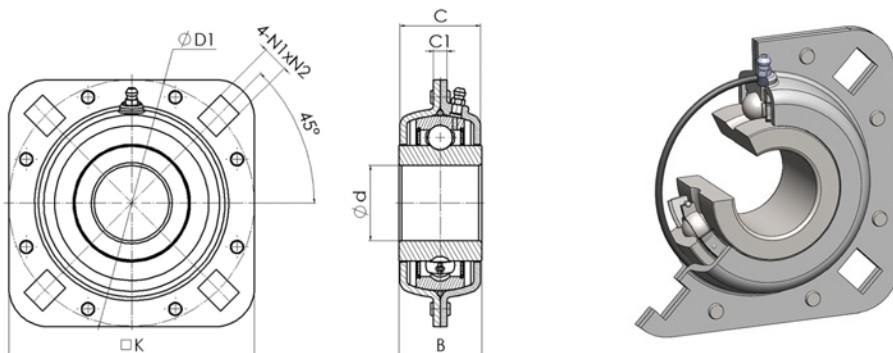


CRAFT	Dimensions (mm)							Basic Load Ratings (N)		Weight (kg)
	d	SØD	C	B	B1	S	d2	Dyn. C	Stat. C <sub>0</sub>	
GRAE20RRB.CA066	20.000	47.000	14.000	21.400	31.000	7.000	33.300	12800	6650	0.200
GRAE25RRB.CA067	25.000	52.000	15.000	24.400	31.000	7.500	38.100	14000	7850	0.250
GRAE35RRB.CA068	35.000	72.000	19.000	25.400	38.900	9.500	55.600	25700	15300	0.420
GRAE40RRB.CA069	40.000	80.000	21.000	30.200	43.700	10.500	60.000	29500	18100	0.600
GRAE30RRB.CA071	30.000	62.000	18.000	23.800	35.700	9.000	44.500	19500	11300	0.310
GRAE45RRB.CA073	45.000	85.000	22.000	30.200	43.700	11.000	63.500	31600	20600	0.760
GRAE20RRB	20.000	47.000	14.000	21.400	31.000	7.000	33.300	12800	6650	0.200
GRAE25RRB	25.000	52.000	15.000	24.400	31.000	7.500	38.100	14000	7850	0.250
GRAE30RRB	30.000	62.000	18.000	23.800	35.700	9.000	44.500	19500	11300	0.310
GRAE35RRB	35.000	72.000	19.000	25.400	38.900	9.500	55.600	25700	15300	0.420
GRAE40RRB	40.000	80.000	21.000	30.200	43.700	10.500	60.000	29500	18100	0.600



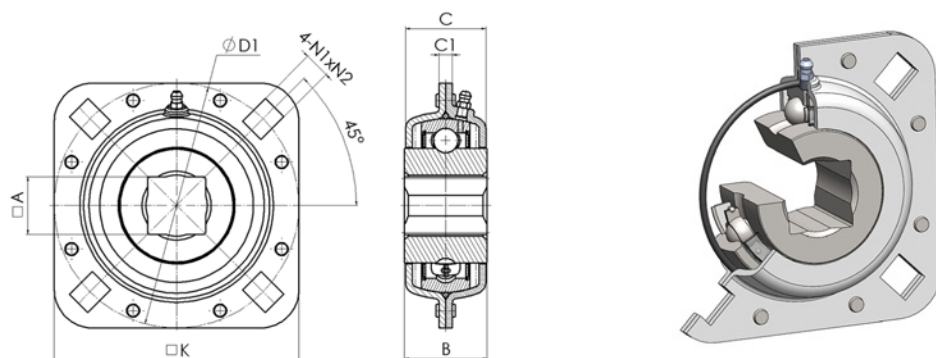
Series	Features
Type 1	<ul style="list-style-type: none"> <li>• First generation bearing units</li> <li>• Used for disc harrows</li> <li>• Stamped steel housing</li> <li>• Cylindrical inner bore</li> <li>• Rectangular fixing bores</li> </ul>
Type 2	<ul style="list-style-type: none"> <li>• First generation bearing units</li> <li>• Used for disc harrows</li> <li>• Stamped steel housing</li> <li>• Square inner bore</li> <li>• Rectangular fixing bores</li> </ul>
Type 3	<ul style="list-style-type: none"> <li>• First generation bearing units</li> <li>• Mostly used for disc harrows</li> <li>• Stamped steel housing</li> <li>• Cylindrical inner bore</li> <li>• Round fixing bores</li> </ul>
Type 4	<ul style="list-style-type: none"> <li>• Set of insert bearing and 2 stamped steel housings</li> <li>• Cylindrical inner bore</li> <li>• One plate with lubricating hole</li> <li>• One with none lubrication</li> <li>• Square fixing bores</li> </ul>
Type 5	<ul style="list-style-type: none"> <li>• Set of stamped flanges for insert bearings</li> <li>• One plate with lubricating hole</li> <li>• One with none lubrication</li> <li>• Square fixing bores</li> </ul>
Type 6	<ul style="list-style-type: none"> <li>• Set of double row ball bearing and shaft for agricultural machinery</li> </ul>

Type 1



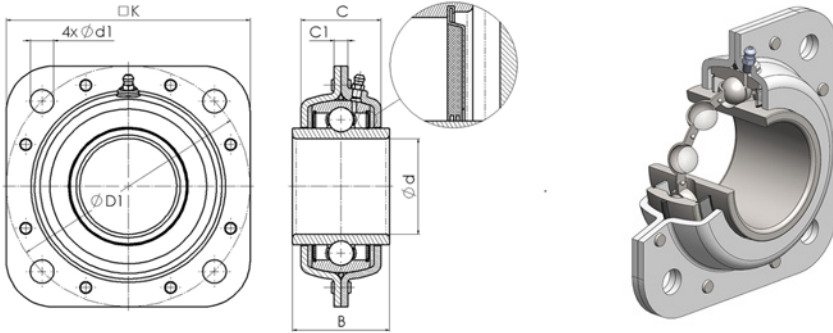
CRAFT	Dimensions (mm)						Weight (kg)
	d	C	B	C1	N1xN2	K	
ST491B	38.700	41.700	42.860	6.750	16,7x13,5	127.000	1.550

Type 2



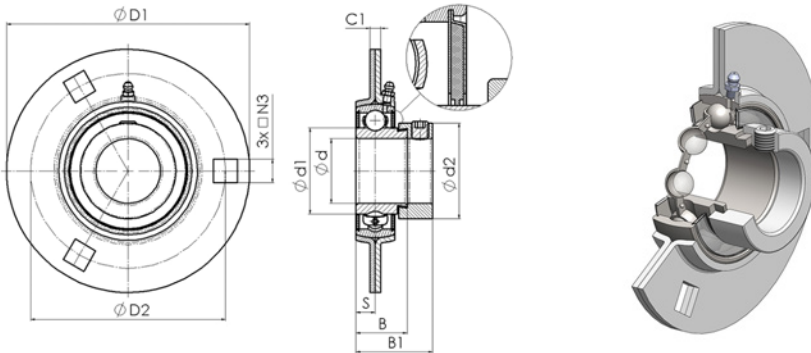
CRAFT	Dimensions (mm)						Weight (kg)
	A	C	B	C1	N1xN2	K	
FD209RM	29.970	41.700	42.860	6.750	16,7x13,5	127.000	1.600
FD211RM	38.890	49.210	50.800	7.500	17,5x13,5	139.700	2.250

Type 3



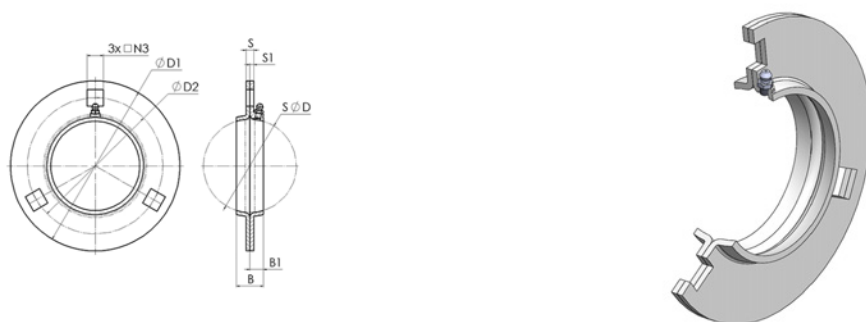
CRAFT	Dimensions (mm)						Basic Load Ratings (N)		Weight (kg)
	d	d1	C	B	C1	K	Dyn. C	Stat. C <sub>0</sub>	
ST211 115/16.CA047	21.250	13.500	46.000	55.600	8.000	139.700	43500	29200	2.720
GWST211PPB20.CA048	55.5625	13.500	46.000	55.600	8.000	139.700	43500	29200	2.260
ST491A	45.000	13.500	41.700	42.800	6.750	127.000			1.450
ST740	55.570	13.500	45.000	55.600	7.000	141.300			2.000

Type 4



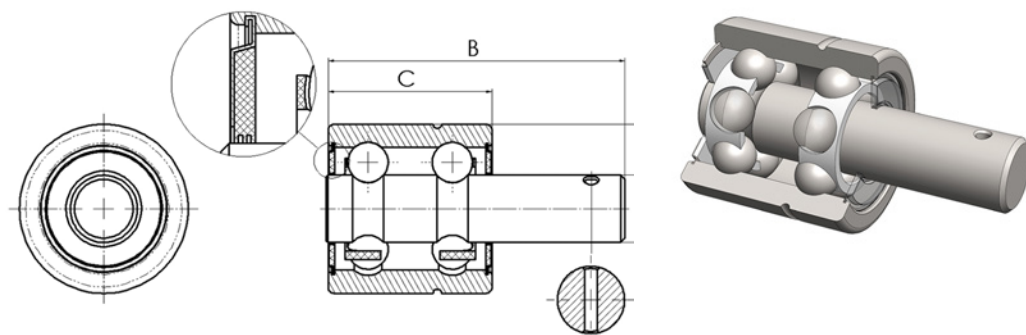
CRAFT	Dimensions (mm)									Basic Load Ratings (N)		Weight (kg)
	d	d1	B	B1	C1	N3	D1	D2	S	Dyn. C	Stat. C <sub>0</sub>	
GRA30.CA025	30.000	33.000	23.800	35.700	5.000	11.000	113.000	90.500	9.000	19500	11300	0.410

Type 5



CRAFT	Dimensions (mm)								Basic Load Ratings (N)		Weight (kg)
	SØD	B	B1	N3	D1	D2	S	S1	Dyn. C	Stat. C <sub>0</sub>	
FLAN52MSB/FLAN52MSA,CA032	62.000	18.000	9.000	11.000	113.000	90.500	5.000	2.500	-	-	0.150

Type 6



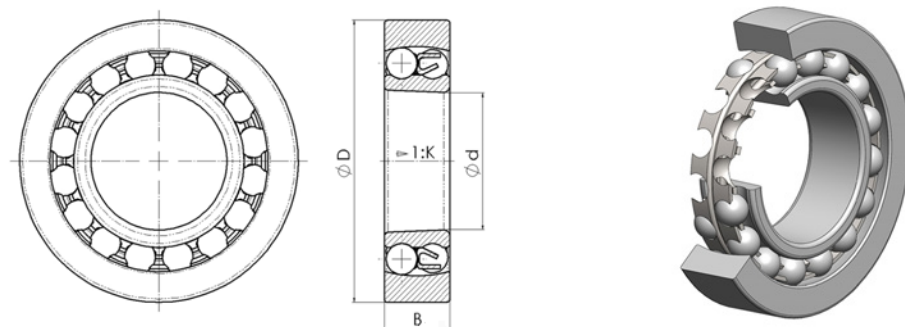
CRAFT	Dimensions (mm)				Basic Load Ratings (N)		Weight (kg)
	d	D	C	B	Dyn. C	Stat. C <sub>0</sub>	
VP16/40/74.5	15.918	40.000	38.900	71.000	-	-	0.182



Series	Features
Type 1	<ul style="list-style-type: none"><li>• Radial contact SELF aligning double row ball bearings</li><li>• Tapered inner bore</li><li>• Cylindrical outer ring</li><li>• Open type (no seals)</li></ul>



Type 1



CRAFT	Dimensions (mm)			Basic Load Ratings (N)		Weight (kg)
	d	D	B	Dyn. C	Stat. C <sub>0</sub>	
1207K.CA027	35.000	72.000	17.000	25700	15300	0.320

CRAFT	Agricultural PTO	540 r.p.m			1000 r.p.m.			Dimensions, mm			
		KW	CV	Nm	KW	CV	Nm	D	L	D1	L1
CJC002	02 Size	12	16	210	18	24	175	22	54.8		
CJC003	03 Size	16	22	290	24	32	230	23.8	61.2		
CJC004	04 Size	22	30	390	35	47	330	27	70		
CJC005	05 Size	26	35	460	40	55	380	27	74.5		
CJC006	06 Size	35	48	630	54	74	520	30.2	80		
CJC007	07 Size	46	62	810	73	100	700	30.16	92		
CJC008	08 Size	55	75	980	85	115	810	30.16	106.3		
CJC009	09 Size	68	92	1210	108	147	1030	35	106.3		
CJC010	WA 05 Size	26	35	460	40	55	380	24	75	27	91
CJC011	WA 35 Size	44	60	790	72	98	690	27	76	32	94
CJC012	WA 36 Size	66	90	1180	102	139	980	32	89	36	106

CRAFT	Agricultural PTO	CROSS REFERENCE						
		FKL	WEASLER	BINACCHI	AKSAN KARDAN	WALTERSHIED	PRECISION	LA MAGDALENA
CJC002	02 Size	05			1	W2100	812	403
CJC003	03 Size	08	AB2	B2	2		U341	840
CJC004	04 Size		AB3	B3			813	406
CJC005	05 Size	12	AB4	B4	3,4	W2300	344AG	2140A
CJC006	06 Size		AB5	B5			815	
CJC007	07 Size		AB6	B6	5,6		U331	2200A
CJC008	08 Size				7		U330	2220A
CJC009	09 Size	20	AB8	B8	8		U351	
CJC010	WA 05 Size		200-7491			WW2380		621
CJC011	WA 35 Size		201-7694			WW2480		635
CJC012	WA 36 Size		200-7906			WW2580		636

BRAND	CRAFT	PAGE	BRAND	CRAFT	PAGE
<b>FKL</b>					
203KRR.AH02	203KRRAH02.CA023	11	204-XL-KRR	204KRR.CA039	11
203KRR.AH05	203KRRAH05.CA005	11	207-KRR-AH03	207KRRAH03.CA042	11
204KRR2	204KRR2.CA011	11	207KRRB-AH09	207KRRBAH09.CA043	12
204KRRB2	204KRRB2.CA013	12	210-KRR-B-AH02	210KRRBAH02.CA044	12
306230	DAC30620030	20	GE25KRRB	GE25KRRB.CA061	24
3206.B2RS1	3206B2RS1.CA014	20	GE35KRRB	GE35KRRB.CA062	24
357234A	357234/3198750	20	GE40KRRB	GE40KRRB.CA063	24
GWST211PPB20	GWST211PPB20.CA048	28	GE45KRRB	GE45KRRB.CA064	24
LY 208-108 2F.SH	LY2081082FSH.CA020	24	GE50KRRB	GE50KRRB.CA065	24
SL 5203 2T	SL52032T SL52032T.CA007	21	GRAE20RRB	GRAE20RRB.CA066	25
SL 5316 2T	SL53162T	14	GRAE25RRB	GRAE25RRB.CA067	25
SLE 47-16S-2RS	SLE4716S2RS	17	GRAE35RRB	GRAE35RRB.CA068	25
VP-16/40/74.5	VP16/40/74.5	29	GRAE40RRB	GRAE40RRB.CA069	25
W 208PP16	W208PP16.CA009	11	SK014-205-KRR-B	205KRRBAH02.CA040	12
<b>FAFNIR</b>					
203KRR2	203KRRAH02.CA023	11	SK100-206-KRRB-AH11	206KRRBAH06.CA041	12
203KRR5	203KRRAH05.CA005	11	SK102-207-KRR-B-AH10	207KRRBAH09.CA043	12
204KRR	204KRR.CA039	11	W208PPB5	W208PPB5.CA070	12
204KRR2 A3409	204KRR2.CA011	11	<b>FAG</b>		
204PY3	06C042Z	18	36205B	GE25KRRB.CA061	24
205KRR2	205KRRBAH02.CA040	12	518855	203KRRAH02.CA023	11
206KRR6	206KRRBAH06.CA041	12	<b>JHB</b>		
207KRR9	207KRRBAH09.CA043	12	207KRRAH03	207KRRAH03.CA042	11
208KRRB8	208KRRB8.CA038	12	208KRRB-AH05	208KRRB8.CA038	12
210PP7	210KRRBAH02.CA044	12	JHB60102RSKC3	60102RS.CA026	13
DHU 11/2R-209	ST491B	27	<b>DIN</b>		
DHU 11/2S-211	FD211RM	27	DIN625-1	60102RS.CA026	13
DHU 11/8S-209	FD209RM	27	<b>A DAC</b>		
DHU 2 3/16R-211	GWST211PPB20.CA048	28	DAC1640442	SL52032T SL52032T.CA007	21
DHU1-1516R-211	ST211 115/16.CA047	28	<b>PFI</b>		
DHU1-3/R4-209	ST491A	28	WIR208PPB8	W208PPB8	12
GW210PPB2	GW210PPB2.CA045	14	WIR210-31	WIR21031	11
GW211PPB2	GW211PPB2.CA046	14	WIR211-33	WIR21133	11
W208PP21	W208PP16.CA009	11	<b>FERSA</b>		
W208PPB5	W208PPB5.CA070	12	A+S F16201	357234/3198750	20
W208PPB8	W208PPB8	12	<b>PEER</b>		
W210PPB6	W210PPB6	12	204JY3	06C042Z	18
W211PPB3	W211PPB3	15	204KRR2	204KRR2.CA011	11
W211PPB4	ST627	13	210PP20	210KRRBAH02.CA044	12
WIR210-31	WIR21031	11	FD-209-1-1/8SQ	FD209RM	27
WIR211-33	WIR21133	11	FD211-1 15/16RDC	ST211 115/16.CA047	28
WIR212-33	WIR21239	11	FD211-1-1/2SQ	FD211RM	27
<b>INA</b>					
203-XL-KRR-AH02	203KRRAH02.CA023	11	FD211-2 3/16RD	GWST211PPB20.CA048	28
203-XL-KRR-AH05	203KRRAH05.CA005	11			

BRAND	CRAFT	PAGE
<b>PEER</b>		
GW210KPPB2	GW210PPB2.CA045	14
GW211PPB2	GW211PPB2.CA046	14
ST211x1-15/16	ST211 115/16.CA047	28
ST491A	ST491A	28
ST491B	ST491B	27
ST740	ST740	28
W208PPB8	W208PPB8	12
W211PPB3	W211PPB3	15
<b>KOYO</b>		
4508A2TR18S	W208PPB5.CA070	12
4510B2TR18S	W210PPB6	12
88120A	204KRR2.CA011	11
DG16452RD	06C042Z	18
<b>NTN</b>		
1AH04-11/16	204KRR2.CA011	11
1AS08-11/8	W208PPB5.CA070	12
2AS08-1-1/8	W208PPB8	12
2AS10-1-1/8	W210PPB6	12
3AS11-1-1/2	W211PPB3	15
AEL206-102W3	ST491B	27
FD211RB	GWST211PPB20.CA048	28
SBX0890C4/L014	W208PP16.CA009	11
UEL205	GE25KRRB.CA061	24
3AC10-1-15/16D1	GW210PPB2.CA045	14
<b>SNR</b>		
EX210	GE50KRRB.CA065	24
GB40582	357234/3198750	20
SN207NG	GRAE35RRB.CA068	25
<b>TIMKEN</b>		
BP13043-A	GW210PPB2.CA045	14
DS210TT6	W210PPB6	12
G1108KRRB	LY2081082FSH.CA020	24
GRAE20RRB	GRAE20RRB.CA066	25
GRAE25RRB	GRAE25RRB.CA067	25
GRAE35RRB	GRAE35RRB.CA068	25
GRAE40RRB	GRAE40RRB.CA069	25
<b>SKF</b>		
GWST211PPB40	ST740	28
ST-740	ST211 115/16.CA047	28
VKBA 857D	357234/3198750	20
W208-PPB15	W208PPB5.CA070	12
W210-PPB6	W210PPB6	12
YEL2052F	GE25KRRB.CA061	24

BRAND	CRAFT	PAGE
YET207	GRAE35RRB.CA068	25
<b>BCA</b>		
203RRAR10	203KRRAH02.CA023	11
203RRAR8	203KRRAH05.CA005	11
204FREN	06C042Z	18
DS208TT5	W208PPB5.CA070	12
DS208TT8	W208PPB8	12
DS210TT6	W210PPB6	12
DS210TTR2	GW210PPB2.CA045	14
DS211TT3	W211PPB3	15
DS211TTR2	GW211PPB2.CA046	14
FD-209-RA	ST491A	28
FD-209-RE	ST491B	27
FD-209-RM	FD209RM	27
FD-211-RM	FD211RM	27
FD211RB	GWST211PPB20.CA048	28
FD211RJ	ST211 115/16.CA047	28
FD211RJA	ST211 115/16.CA047	28
FD211RJA-1	ST740	28
HPC011GPN	204KRR2.CA011	11
HPC104TPAN	W208PP16.CA009	11
HPS104TR	208KRRB8.CA038	12
<b>LINK BELT</b>		
11KB204N	204KRR2.CA011	11
126115	203KRRAH02.CA023	11
24S3-211E3	W211PPB3	15
31RG3-210E3	GW210PPB2.CA045	14
GW211PP82	GW211PPB2.CA046	14
<b>IHC</b>		
107095C91	203KRRAH05.CA005	11
611928R91	203KRRAH05.CA005	11
666624R91	203KRRAH02.CA023	11
<b>CLAAS</b>		
2114230	GE35KRRB.CA062	24
212718	GE40KRRB.CA063	24
214439	GE50KRRB.CA065	24
2163290	GE30KRRB.CA028	24
2163300	GE40KRRB.CA063	24
216428	GE45KRRB.CA064	24
216429	GE50KRRB.CA065	24
2165580	GE35KRRB.CA062	24
2334390	GRAE45NPPB.CA033	23
2358690	62072RS.CA036	14
2359160	6207.CA035	15
2359520	1207K.CA027	31
238389	GE45KRRB.CA064	24

BRAND	CRAFT	PAGE	BRAND	CRAFT	PAGE
<b>CLAAS</b>					
2442670	6207.CA037	15	324461A1	SL52032T SL52032T.CA007	21
6104460	FLAN52MSB/FLAN52MSA.CA032	29	326796	GRAE30NPPB.CA029	23
6104480	GRAE30NPPB.CA029	23	446612MI	5206KPP3.CA022	20
6104490	GRA30.CA025	28	592141R91	204KRR2.CA011	11
6160660	GRAE35NPPB.CA030	23	630210R91	W208PPB5.CA070	12
6192860	GRAE20NPPB.CA034	23	700703101	208KRRB8.CA038	12
6363410	GRAE25NPPB.CA031	23	747170	GW211PPB2.CA046	14
7347850	60102RS.CA026	13	86974088	FLAN52MSB/FLAN52MSA.CA032	29
9306490	GRAE35NPPB.CA030	23	F16246	203KRRAH02.CA023	11
9390360	GRAE25NPPB.CA031	23	ST3012A	ST211 115/16.CA047	28
9397170	357234/3198750	20	ST627A	ST627	13
<b>NH CNH</b>			ST740B	ST740	28
357238	357234/3198750	20	T16288	W208PPB5.CA070	12
385424	GE45KRRB.CA064	24	T25486	W208PPB8	12
688425	GW211PPB2.CA046	14	T53781	GW210PPB2.CA045	14
80135241	206KRRBAH06.CA041	12	T57559	GW211PPB2.CA046	14
80325103	GRAE25NPPB.CA031	23	<b>AMAZONE</b>		
84434989	GRAE25NPPB.CA031	23	CC010	3206B2RS1.CA014	20
84992001	GE25KRRB.CA061	24	Y0051390	SL52032T SL52032T.CA007	21
NDAS4508BJ	W208PPB5.CA070	12	<b>LEMKEN</b>		
ST3012A	ST211 115/16.CA047	28	3198563	203KRRAH05.CA005	11
737321R93	ST491A	28	3198702	203KRRAH05.CA005	11
<b>KINZE</b>			3198750	357234/3198750	20
G2-10003	205KRRBAH02.CA040	12	3198760	DAC30620030	20
GA2014	06C042Z	18	<b>JOHN DEERE</b>		
GA6171	SL52032T SL52032T.CA007	21	A-DS210TT6	W210PPB6	12
<b>GREAT PLANTS</b>			A-W210PP6	W210PPB6	12
188-001V	SL53162T	14	AA21480	06C042Z	18
820-003C	06C042Z	18	AA22097	205KRRBAH02.CA040	12
822-170C	SL52032T SL52032T.CA007	21	AA30942	GWST211PPB20.CA048	28
822-173C	204KRRB2.CA013	12	AE46606	W208PP16.CA009	11
822-207C	GWST211PPB20.CA048	28	AE48913	LY2081082FSH.CA020	24
822-208C	ST491B	27	AE53290	210KRRBAH02.CA044	12
<b>MONOSEM</b>			AE54754	GW210PPB2.CA045	14
7140A	SL52032T SL52032T.CA007	21	AE74652	GW210PPB2.CA045	14
<b>CASE IH</b>			AH132823	GRAE35NPPB.CA030	23
156816C91	207KRRBAH09.CA043	12	AH139296	GE35KRRB.CA062	24
195293C	205KRRBAH02.CA040	12	AH139297	GE40KRRB.CA063	24
30730	GRAE30NPPB.CA029	23	AH203687	WIR21031	11
			AN100348	206KRRBAH06.CA041	12
			AN100425	203KRRAH02.CA023	11
			AN102010	207KRRBAH09.CA043	12
			AN212132	SL52032T.CA007	21
			AN281357	203KRRAH02.CA023	11
			AZ1004	GE25KRRB.CA061	24

BRAND	CRAFT	PAGE
<b>JOHN DEERE</b>		
AZ19427	GRAE35NPPB.CA030 GRAE35RRB.CA068	23, 25
GZ379381	ST211 115/16.CA047	28
JD10020	LY2081082FSH.CA020	24
JD10089	207KRRAH03.CA042	11
JD10384	GE30KRRB.CA028	24
JD10456	GE45KRRB.CA064	24
JD39102	GRAE25NPPB.CA031	23
JD39103	GRAE30NPPB.CA029	23
JD39104	GE35KRRB.CA062	24
JD39105	GE25KRRB.CA061	24
JD39106	GE30KRRB.CA028	24
JD39107	GE40KRRB.CA063	24
JD39108	GRAE20NPPB.CA034	23
JD60102	GRAE25NPPB.CA031	23
JD7126	204KRR2.CA011	11
JD9214	203KRRAH02.CA023	11
JD9248	W208PPB5.CA070	12
JD9249	206KRRBAH06.CA041	12
JD9260	205KRRBAH02.CA040	12
JD9295	203KRRAH05.CA005	11
JD9301	207KRRAH03.CA042	11
JD9313	206KRRBAH06.CA041	12
JD9373	208KRRB8.CA038	12
JD9434	LY2081082FSH.CA020	24
JD9454	WIR21031	11
JD9490	GE25KRRB.CA061	24
PMFD21RRB	ST211 115/16.CA047 ST740	28

<b>MACHIO GASPARDO</b>		
F04100040	VP16/40/74.5	29
G14830390	SLE4716S2RS	17

<b>MASSEY FERGUSSON</b>		
1577800M1	208KRRB8.CA038	12
1905666M1	W208PPB5.CA070	12
412260M1	GE25KRRB.CA061	24
831960M3	GW210PPB2.CA045	14
832540M1	W211PPB3	15
D41705700	GE45KRRB.CA064	24
PS01102	204KRR2.CA011	11

<b>HORSCH</b>		
00240199	06C042Z	18
00310104	06C042Z	18

BRAND	CRAFT	PAGE
<b>KVERNELAND</b>		
AC 562134	203KRRAH05.CA005	11
AC671871	204KRR.CA039	11

<b>SUNFLOWER</b>		
24A5301	W208PPB5.CA070	12
SN3215	ST491A	28

<b>KRAUSE</b>		
1934-12-0	ST491B	27
40-109	ST491B	27
40-121	GW211PPB2.CA046	14
CB-66A	GW211PPB2.CA046	14
ST3027	ST491B	27

<b>REMLINGER</b>		
RB-0007	ST491A	28

<b>TALBOT</b>		
T151	W208PPB8	12

<b>TOWNER</b>		
7906 MOD. RINGER	W208PPB8	12

<b>AMCO</b>		
10272	W208PPB5.CA070	12
10333	W208PPB8	12

<b>BURCH</b>		
203214	W211PPB3	15
20482	W210PPB6	12
J9373	W208PPB5.CA070	12

<b>OTHER</b>		
10,5 T/33/MIN	EZ410WSS	13
14-5-109	GW210PPB2.CA045	14
1R41009	W208PPB5.CA070	12
261750	W208PPB5.CA070	12
2J516	W208PPB5.CA070	12
3166054R91	GE35KRRB.CA062	24
3J131	W211PPB3	15
40-121	GW211PPB2.CA046	14
4404-P	W211PPB3	15
454113R91	LY2081082FSH.CA020	24
56345058	VP16/40/74.5	29
664073R92	LY2081082FSH.CA020	24
664175R92	LY2081082FSH.CA020	24
7377-1	W211PPB3	15
84330044	LY2081082FSH.CA020	24

BRAND	CRAFT	PAGE	BRAND	CRAFT	PAGE
<b>OTHER</b>			KENT FC2286	GWST211PPB20.CA048	28
			MNS0049684	EZ410WSS	13
ALLICE71502203	06C042Z	18	MNS0056119	EZ410WSS	13
AMCO G10771	GW210PPB2.CA045	14	MULCB112SG	W211PPB3	15
B92627	GE35KRRB.CA062	24	PN00035	VP16/40/74.5	29
B92665	GE35KRRB.CA062	24	PN00053	EZ410WSS	13
CB-66A	GW211PPB2.CA046	14	TWS210BR	GW210PPB2.CA045	14
EZDG108	EZ410WSS	13	TYE 522-20SP	203KRRAH05.CA005	11
G0052604	W208PPB5.CA070	12	WHITE852270	06C042Z	18
G1108KRRB	LY2081082FSH.CA020	24	WILRICH24022	GW211PPB2.CA046	14
GA15	W208PPB5.CA070	12	b7980	W208PPB5.CA070	12
GK260	W208PPB5.CA070	12			
GOST256708	DAC30620030	20			

# SHORT KEY TABLE

SHORT KEY	CRAFT	SHORT KEY	CRAFT
CA005	203KRRAH05.CA005	CA041	206KRRBAH06.CA041
CA007	SL52032T.CA007	CA042	207KRRAH03.CA042
CA009	W208PP16.CA009	CA043	207KRRBAH09.CA043
CA011	204KRR2.CA011	CA044	210KRRBAH02.CA044
CA013	204KRRB2.CA013	CA045	GW210PPB2.CA045
CA014	3206B2RS1.CA014	CA046	GW211PPB2.CA046
CA020	LY2081082FSH.CA020	CA047	ST211 115/16.CA047
CA022	5206KPP3.CA022	CA048	GWST211PPB20.CA048
CA023	203KRRAH02.CA023	CA061	GE25KRRB.CA061
CA025	GRA30.CA025	CA062	GE35KRRB.CA062
CA026	60102RS.CA026	CA063	GE40KRRB.CA063
CA027	1207K.CA027	CA064	GE45KRRB.CA064
CA028	GE30KRRB.CA028	CA065	GE50KRRB.CA065
CA029	GRAE30NPPB.CA029	CA066	GRAE20RRB.CA066
CA030	GRAE35NPPB.CA030	CA067	GRAE25RRB.CA067
CA031	GRAE25NPPB.CA031	CA068	GRAE35RRB.CA068
CA032	FLAN52MSB/FLAN52MSA.CA032	CA069	GRAE40RRB.CA069
CA033	GRAE45NPPB.CA033	CA070	W208PPB5.CA070
CA034	GRAE20NPPB.CA034	CA071	GRAE30RRB.CA071
CA035	6207.CA035	CA072	GRAE40NPPB.CA072
CA036	62072RS.CA036	CA073	GRAE45RRB.CA073
CA037	6207.CA037	CA074	6208.CA074
CA038	208KRRB8.CA038	CA075	6204.CA075
CA039	204KRR.CA039	CA077	6205.CA077
CA040	205KRRBAH02.CA040	CA079	6206.CA079









