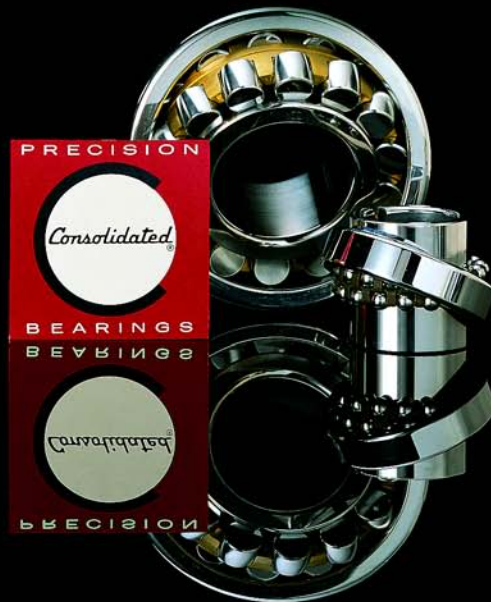


Adapters, Withdrawal Sleeves, Locknuts and Lockwashers



Product Reference & Interchange Catalog

CATALOG
2008



CONSOLIDATED BEARINGS COMPANY

Ten Wing Drive, Cedar Knolls, New Jersey 07927-1099

Tel: (973) 539-8300

Toll Free: 1-877-CON-BRG4

Fax: (973) 539-5902

(266-2744)

E-mail: sales@consbrgs.com Web Site: www.consbrgs.com

The contents of this catalog are the copyright of the publisher and may not be reproduced (including extracts) unless permission is granted in writing by Consolidated Bearings Company, Cedar Knolls, New Jersey. Every care has been taken to ensure the accuracy of the data contained in this catalog. No liability can be accepted for any errors, omissions or manufacturing design changes.

Price per copy - \$75.00

© Copyright 2008, Consolidated Bearings Co.



About the Company...

Consolidated Bearings Company, founded in 1932 by William F. Meerwarth, was originally established as a bearing rebuilder and manufacturer. In 1934 **Consolidated** obtained the exclusive contract to represent the SRO Ball Bearing Company of Zürich, Switzerland for sales of its products in the United States.

During World War II, when importing from Europe became non-existent, **Consolidated** concentrated its efforts in its Bearing Rebuilding Division. This Division added many valuable contributions to the War Effort in repairing and rebuilding worn bearings on an emergency basis. For their efforts, **Consolidated** earned the Army/Navy "E" Award.

Soon after the war, **Consolidated** reactivated its Import Division by representing several major European bearing manufacturers. Selling exclusively to Bearing Distributors and OEM Accounts, **Consolidated** established a network of sales offices and district warehouses throughout the United States to provide prompt and efficient service to all its customers.

In 1969, **Consolidated** built and moved to its present location in Cedar Knolls, New Jersey, a suburb West of New York City. Since then, **Consolidated** has twice increased the size of its facilities to keep up with its expanding product line. The most recent enlargement added another 125,000 square feet of warehouse space.

Consolidated is constantly looking at new products and new technologies to meet the future needs of its customers. The goal at **Consolidated** is to provide its customers with the most reliable service possible.

Abbreviations / Brands - Manufacturers

The following is a list of abbreviation/brands we have used in this catalog to identify the manufacturers and their respective country of origin.

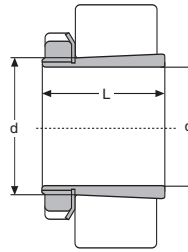
BRAND	MANUFACTURER
ADR	Les Applications du Roulement - Div. of SKF Europe - France
AETNA	Aetna Bearing Co. - U.S.A.
AMERICAN	American Roller Bearing Co. - U.S.A.
ANDREWS	Andrews Bearing Corp. – Subs. of MPB Corp. – U.S.A.
AURORA	Aurora Bearing Co. – U.S.A.
BAL	Emil Baltzer - Germany
4 BARDEN	The Barden Corp. - Div. of Industrierwerk Schaeffler-Germany & USA.
BCA	BCA Bearing Div. - Federal Mogul - U.S.A.
BERLISS	Berliss Bearing Co. - U.S.A.
BOWER	Bower Bearing Div. - Federal Mogul - U.S.A.
CFW	Carl Freudenberg - Germany
CORLETT-TURNER	Corlett-Turner Co. - U.S.A.
ELGES	Helmut Elges GmbH - Germany
3 FAF	Fafnir Bearing - Div. of The Torrington Co. - U.S.A.- Subsidiary of Timken Bearing Co.
4 FAG	FAG Kugelfischer Georg Schafer & Co. - Germany and U.S.A. Subs. of Industrierwerk Schaeffler-Germany & USA.
FBC	Fafnir Bearing Co. Ltd. - England
FED/Schatz	Schatz Federal Bearing Co. Inc. - U.S.A.
GOETZE	Goetzewerka - Germany
HEIM	Heim Bearings Div. – Roller Bearing Co. of America – U.S.A.
1 HOFF	Hoffmann Manufacturing Co. - U.S.A. - England
HYATT	New Departure Hyatt - Hyatt Bearings Div. - U.S.A.
INA	Industrierwerk Schaeffler - Germany & U.S.A.
ISC	Ishii Steel Ball Co. Ltd. – Div. of Genbearco International Corp. - Japan
KACO	Kupfer-Asbest Co. - Germany
KAYDON	Kaydon Corp. - U.S.A.
McGILL	McGill Manufacturing Co. - U.S.A.
MRC	MRC Bearings - Div. of SKF Industries - U.S.A.
NACHI	Nachi-Fujikoshi Corp. - Japan
NADELLA	Nadella Societe Anoyma - France
ND	New Departure Hyatt - U.S.A.
2 NH	Norma Hoffmann Bearing Corporation - U.S.A.
NICE	Nice Ball Bearing Co. - Div. SKF Industries - U.S.A.
NMB	Nippon Miniature Bearing Co. Ltd. – Japan
NSK	NSK Bearing Corp. - Japan
NTN	NTN-Toyo Bearing Co. Ltd. - Japan
RBC	Roller Bearing Co. of America - U.S.A.
RHP	Ransome Hoffmann Pollard Ltd. - England
1 R&M	Ransome & Marles Bearing Co. Ltd - England
RIV	RIV - SKF - Italy
RMB	Landis & Gyr, Inc. - U.S.A.
ROLLWAY	Rollway Bearing Div. - Lipe-Rollway Corp. - U.S.A.
SEALMASTER	Sealmaster Bearing Div. - Emerson Electric - U.S.A.
SKF	SKF Industries - U.S.A, Sweden, England, Germany, France
SMITH	Smith Bearing Co. - U.S.A.
SNR	Societe Nouvelle de Roulements - France
SPHERCO	Spherco Bearing Div. – Emerson Electric – U.S.A.
2 SRO	J. Schmid-Roost Ltd. - Switzerland
STAR	Deutsche Star Kugelhalter GmbH - Germany
STEYR	Steyr-Walzlager GmbH - Subs. of SKF Industries - Austria
THOMSON	Thomson Industries Inc. - U.S.A.
TORRINGTON	The Torrington Company - U.S.A.- Subsidiary of Timken Bearing Co.

¹ These manufacturers have been reorganized to form RHP - Ransome Hoffmann Pollard Ltd.

² These manufacturers have been purchased by FAG. Therefore, these brands are no longer in use.

³ These manufacturers have been reorganized to form a subsidiary of Timken Bearing Co

⁴ These manufacturers have been reorganized to form a division of Industrierwerk Schaeffler-Germany & USA.



Lockwasher Type
Taper 1:12

ADAPTERS - COMPLETE WITH LOCKNUTS AND LOCKWASHERS

Consolidated No.	Dimensions (Metric / Inch)			Approx. Wgt. (lbs.)	Interchange	
	d1(Bore)	d	L		FAG	SKF STEYR
H-205 x 20	20	25	26	.160	H 205	H 205
H-206 x 1	1.0000	30	27	.220	H 206.100	HE 206
H-206 x 25	25	30	27	.220	H 206	H 206
H-207 x 30	30	35	29	.280	H 207	H 207
H-208 x 1 1/4	1.2500	40	31	.390	H 208.104	HE 208
H-208 x 35	35	40	31	.390	H 208	H 208
H-209 x 1 1/2	1.5000	45	33	.510	H 209.108	HE 209
H-209 x 40	40	45	33	.510	H 209	H 209
H-210 x 1 3/4	1.7500	50	35	.610	H 210.112	HE 210
H-210 x 45	45	50	35	.610	H 210	H 210
H-211 x 50	50	55	37	.680	H 211	H 211
H-212 x 55	55	60	38	.770	H 212	H 212
H-213 x 60	60	65	40	.890	H 213	H 213
H-215 x 65	65	75	43	1.560	H 215	H 215
H-216 x 70	70	80	46	1.940	H 216	H 216
H-217 x 75	75	85	50	2.250	H 217	H 217
H-218 x 80	80	90	52	2.620	H 218	H 218
H-219 x 85	85	95	55	3.020	H 219	-
H-220 x 90	90	100	58	3.290	H 220	H 220
H-222 x 100	100	110	63	4.260	H 222	H 222

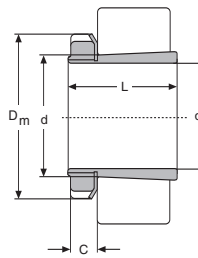
NOTE:

1.) These adapters are recommended for European machinery applications only and are used with 6200-K and 20200-K series



ADAPTERS - COMPLETE WITH LOCKNUTS AND LOCKWASHERS*

Consolidated No.	Dimensions (Metric / Inch)					Approx. Wgt. (lbs.)	Interchange		
	d1(Bore)	d	L	Dm	C		FAG	SKF STEYR	LINK-BELT TORRINGTON
H-304 x 5/8	.6250	20	28	32	7	.100	H 304.010	HS 304	-
H-304 x 17	17	20	28	32	7	.100	H 304	H 304	-
H-305 x 11/16	.6875	25	29	38	8	.170	-	HA 305	-
H-305 x 3/4	.7500	25	29	38	8	.170	H 305.012	HE 305	SNW 05x 3/4
H-305 x 20	20	25	29	38	8	.170	H 305	H 305	-
H-306 x 15/16	.9375	30	31	45	8	.240	H 306.015	HA 306	SNW 06x 15/16
H-306 x 1	1.0000	30	31	45	8	.240	H 306.100	HE 306	SNW 06x1
H-306 x 25	25	30	31	45	8	.240	H 306	H 306	-
H-307 x 1 1/16	1.0625	35	35	52	9	.320	-	HA 307	SNW 07x1 1/16
H-307 x 1 1/8	1.1250	35	35	52	9	.320	H 307.102	HS 307	SNW 07x1 1/8
H-307 x 1 3/16	1.8125	35	35	52	9	.320	H 307.103	HA 307	SNW 07x1 3/16
H-307 x 1 1/4	1.2500	35	35	52	9	.320	-	HE 307	SNW 07x1 1/4
H-307 x 30	30	35	35	52	9	.320	H 307	H 307	-
H-308 x 1 1/4	1.2500	40	36	58	10	.420	H 308.104	HE 308	SNW 08x1 1/4
H-308 x 1 5/16	1.3125	40	36	58	10	.420	-	HA 308	SNW 08x1 5/16
H-308 x 1 3/8	1.3750	40	36	58	10	.420	H 308.106	HS 308	SNW 08x1 3/8
H-308 x 35	35	40	36	58	10	.420	H 308	H 308	-
H-309 x 1 5/16	1.3125	45	39	65	11	.550	-	HA 309	SNW 09x1 5/16
H-309 x 1 3/8	1.3750	45	39	65	11	.550	-	-	SNW 09x1 3/8
H-309 x 1 7/16	1.4375	45	39	65	11	.550	H 309.107	HA 309	SNW 09x1 7/16
H-309 x 1 1/2	1.5000	45	39	65	11	.550	H 309.108	HE 309	SNW 09x1 1/2
H-309 x 1 9/16	1.5625	45	39	65	11	.550	H 309	HA 309	-
H-309 x 40	40	45	39	65	11	.550	H 309	H 309	-
H-310 x 1 5/8	1.6250	50	42	70	12	.670	H 310.110	HS 310	SNW 10x1 5/8
H-310 x 1 11/16	1.6875	50	42	70	12	.670	H 310.111	HA 310	SNW 10x1 11/16
H-310 x 1 3/4	1.7500	50	42	70	12	.670	H 310.112	HE 310	SNW 10x1 3/4
H-310 x 45	45	50	42	70	12	.670	H 310	H 310	-
H-311 x 1 3/4	1.7500	55	45	75	12	.770	-	HE 311	SNW 11x1 3/4
H-311 x 1 13/16	1.7125	55	45	75	12	.770	-	HA 311	SNW 11x1 13/16
H-311 x 1 7/8	1.8750	55	45	75	12	.770	H 311.114	-	SNW 11x1 7/8
H-311 x 1 15/16	1.9375	55	45	75	12	.770	H 311.115	HA 311	SNW 11x1 15/16
H-311 x 2	2	55	45	75	12	.770	H 311.200	HE 311	SNW 11x2
H-311 x 50	50	55	45	75	12	.770	H 311	H 311	-
H-312 x 2	2.0000	60	47	80	13	.870	-	HE 312	SNW 12x2
H-312 x 2 1/16	2.0625	60	47	80	13	.870	-	HA 312	SNW 12x2 1/16
H-312 x 2 1/8	2.1250	60	47	80	13	.870	H 312.202	HS 312	SNW 12x2 1/8
H-312 x 55	55	60	47	80	13	.870	H 312	H 312	-



Taper 1:12

ADAPTERS - COMPLETE WITH LOCKNUTS AND LOCKWASHERS* (cont'd)

Consolidated No.	Dimensions (Metric / Inch)					Approx. Wgt. (lbs.)	Interchange		
	d1(Bore)	d	L	Dm	C		FAG	SKF STEYR	LINK-BELT TORRINGTON
H-313 x 2	2.0000	65	60	85	14	1.010	-	HE 313	SNW 13x2
H-313 x 2 1/8	2.1250	65	60	85	14	1.010	-	-	SNW 13x2 1/8
H-313 x 2 3/16	2.1870	65	60	85	14	1.010	H 313.203	HA 313	SNW 13x2 3/16
H-313 x 2 1/4	2.2500	65	60	85	14	1.010	H 313.204	HE 313	SNW 13x2 1/4
H-313 x 2 5/16	2.3125	65	60	85	14	1.010	-	HA 313	SNW 13x2 5/16
H-313 x 60	60	65	60	85	14	1.010	H 313	H 313	-
H-314 x 2 516	2.3125	70	52	92	14	1.590	-	HA 314	SNW 14x2 5/16
H-314 x 60	60	70	52	92	14	1.590	H 314	H 314	-
H-315 x 2 3/8	2.3750	75	55	98	15	1.830	-	-	SNW 15x2 3/8
H-315 x 2 7/16	2.4375	75	55	98	15	1.830	H 315.207	HA 315	SNW 15x2 7/16
H-315 x 2 1/2	2.5000	75	55	98	15	1.830	H 315.208	HE 315	SNW 15x2 1/2
H-315 x 65	65	75	55	98	15	1.830	H 315	H 315	-
H-316 x 2 11/16	2.6875	80	59	105	17	2.270	H 316.211	HA 316	SNW 16x2 11/16
H-316 x 2 3/4	2.7500	80	59	105	17	2.270	H 316.212	HE 316	SNW 16x2 3/4
H-316 x 70	70	80	59	105	17	2.270	H 316	H 316	-
H-317 x 2 15/16	2.9375	85	63	110	18	2.600	H 317.215	HA 317	SNW 17x2 15/16
H-317 x 3	3.0000	85	63	110	18	2.600	H 317.300	HE 317	SNW 17x3
H-317 x 75	75	85	63	110	18	2.600	H 317	H 317	-
H-318 x 3 1/8	3.1250	90	65	120	18	3.020	H 318.302	HS 318	SNW 18x3 1/8
H-318 x 3 3/16	3.1875	90	65	120	18	3.020	H 318.303	HA 318	SNW 18x3 3/16
H-318 x 3 1/4	3.2500	90	65	120	18	3.020	H 318.304	-	SNW 18x3 1/4
H-318 x 80	80	90	65	120	18	3.020	H 318	H 318	-
H-319 x 3 3/16	3.1875	95	68	125	19	3.440	-	HA 319	SNW 19x3 3/16
H-319 x 3 1/4	3.2500	95	68	125	19	3.440	-	HE 319	SNW 19x3 1/4
H-319 x 3 3/8	3.3750	95	68	125	19	3.440	-	-	SNW 19x3 3/8
H-319 x 85	85	95	68	125	19	3.440	H 319	H 319	-
H-320 x 3 7/16	3.4375	100	71	130	20	3.730	H 320.307	HA 320	SNW 20x3 7/16
H-320 x 3 1/2	3.5000	100	71	130	20	3.730	H 320.308	HE 320	SNW 20x3 1/2
H-320 x 90	90	100	71	130	20	3.730	H 320	H 320	-
H-321 x 3 11/16	3.6875	105	74	140	20	4.300	-	HA 321	SNW 21x3 11/16
H-321 x 3 3/4	3.7500	105	74	140	20	4.300	-	HE 321	SNW 21x3 3/4
H-321 x 95	95	105	74	140	20	4.300	H 321	H 321	-
H-322 x 3 11/16	3.6875	110	77	146	21	4.810	-	HA 322	SNW 22x3 11/16
H-322 x 3 15/16	3.9375	110	77	146	21	4.810	H 322.315	HA 322	SNW 22x3 15/16
H-322 x 4	4.0000	110	77	146	21	4.810	H 322.400	HE 322	SNW 22x4
H-322 x 100	100	110	77	146	21	4.810	H 322	H 322	-

*These adapters must be used as complete units as furnished, because the locknuts and sleeves are metric threaded

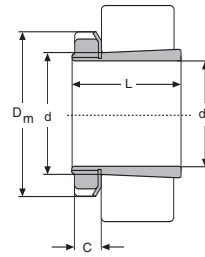
NOTE:

- 1.) Length dimension "L" may vary between all manufacturers
- 2.) Used with 1200-K, 1300-K, 2200-K, 6200-K, 6300-K, 20300-K, 21300-K, and 22200-K series



ADAPTERS - COMPLETE WITH LOCKNUTS AND LOCKWASHERS*

Consolidated No.	Dimensions (Metric / Inch)					Approx. Wgt. (lbs.)	Interchange		
	d1(Bore)	d	L	Dm	C		FAG	STEYR	LINK-BELT SKF TORRINGTON
H-2304 x 17	17	20	31	32	7	.110	H 2304	-	-
H-2305 x 3/4	.7500	25	35	38	8	.200	H 2305.012	-	-
H-2305 x 20	20	25	35	38	8	.200	H 2305	H 2305	-
H-2306 x 7/8	.8750	30	38	45	8	.280	H 2306.014	-	-
H-2306 x 1 5/16	.9375	30	38	45	8	.280	H 2306.015	-	-
H-2306 x 1	1.0000	30	38	45	8	.280	H 2306.100	HE 2306	-
H-2306 x 25	25	30	38	45	8	.280	H 2306	H 2306	-
H-2307 x 1 1/8	1.1250	35	43	52	9	.380	H 2307.102	-	-
H-2307 x 1 3/16	1.1875	35	43	52	9	.380	H 2307.103	-	-
H-2307 x 30	30	35	43	52	9	.380	H 2307	H 2307	-
H-2308 x 1 1/4	1.2500	40	46	58	10	.500	H 2308.104	HE 2308	SNW 108x1 1/4
H-2308 x 1 5/16	1.3125	40	46	58	10	.500	-	-	SNW 108x1 5/16
H-2308 x 35	35	40	46	58	10	.500	H 2308	H 2308	-
H-2309 x 1 7/16	1.4375	45	50	65	11	.620	H 2309.107	HA 2309	SNW 109x1 7/16
H-2309 x 1 1/2	1.5000	45	50	65	11	.620	H 2309.108	HE 2309	SNW 109x1 1/2
H-2309 x 40	40	45	50	65	11	.620	H 2309	H 2309	-
H-2310 x 1 5/8	1.6250	50	55	70	12	.800	H 2310.110	-	SNW 110x1 5/8
H-2310 x 1 11/16	1.6875	50	55	70	12	.800	H 2310.111	HA 2310	SNW 110x1 11/16
H-2310 x 1 3/4	1.7500	50	55	70	12	.800	H 2310.112	HE 2310	SNW 110x1 3/4
H-2310 x 45	45	50	55	70	12	.800	H 2310	H 2310	-
H-2311 x 1 7/8	1.8750	55	59	75	12	.930	H 2311.114	-	SNW 111x1 7/8
H-2311 x 1 15/16	1.9375	55	59	75	12	.930	H 2311.115	HA 2311	SNW 111x1 15/16
H-2311 x 2	2.0000	55	59	75	12	.930	H 2311.200	HE 2311	SNW 111x2
H-2311 x 50	50	55	59	75	12	.930	H 2311	H 2311	-
H-2312 x 2 1/16	2.0625	60	62	80	13	1.060	-	HA 2312	SNW 112x2 1/16
H-2312 x 2 5/8	2.1250	60	62	80	13	1.060	H 2312.202	-	SNW 112x2 5/8
H-2312 x 55	55	60	62	80	13	1.060	H 2312	H 2312	-
H-2313 x 2 3/16	2.1875	65	65	85	14	1.230	H 2313.203	HA 2313	SNW 113x2 3/16
H-2313 x 2 1/4	2.2500	65	65	85	14	1.230	H 2313.204	HE 2313	SNW 113x2 1/4
H-2313 x 2 3/8	2.3750	65	65	85	14	1.230	H 2313.206	-	SNW 113x2 3/8
H-2313 x 60	60	65	65	85	14	1.230	H 2313	H 2313	-
H-2314 x 60	60	70	68	92	14	1.980	H 2314	H 2314	-
H-2315 x 2 7/16	2.4375	75	73	98	15	2.320	H 2315.207	HA 2315	SNW 115x2 7/16
H-2315 x 2 1/2	2.5000	75	73	98	15	2.320	H 2315.208	HE 2315	SNW 115x2 1/2
H-2315 x 2 5/8	2.6250	75	73	98	15	2.320	H 2315.210	-	SNW 115x2 5/8
H-2315 x 65	65	75	73	98	15	2.320	H 2315	H 2315	-
H-2316 x 2 11/16	2.6875	80	78	105	17	2.820	H 2316.211	HA 2316	SNW 116x2 11/16
H-2316 x 2 3/4	2.7500	80	78	105	17	2.820	H 2316.212	HE 2316	SNW 116x2 3/4
H-2316 x 70	70	80	78	105	17	2.820	H 2316	H 2316	-
H-2317 x 2 15/16	2.9375	85	82	110	18	3.200	H 2317.215	HA 2317	SNW 117x2 15/16
H-2317 x 3	3.0000	85	82	110	18	3.200	H 2317.300	HE 2317	SNW 117x3
H-2317 x 75	75	85	82	110	18	3.200	H 2317	H 2317	-
H-2318 x 3 1/8	3.1250	90	86	120	18	3.730	H 2318.302	-	SNW 118x3 1/8
H-2318 x 3 3/16	3.1875	90	86	120	18	3.730	H 2318.303	HA 2318	SNW 118x3 3/16
H-2318 x 3 1/4	3.2500	90	86	120	18	3.730	H 2318.304	HE 2318	SNW 118x3 1/4
H-2318 x 80	80	90	86	120	18	3.730	H 2318	H 2318	-
H-2319 x 3 1/4	3.2500	95	90	125	19	4.230	-	HE 2319	SNW 119x3 1/4
H-2319 x 85	85	95	90	125	19	4.230	H 2319	H 2319	-
H-2320 x 3 7/16	3.4375	100	97	130	20	4.740	H 2320.307	HA 2320	SNW 120x3 7/16
H-2320 x 3 1/2	3.5000	100	97	130	20	4.740	H 2320.308	HE 2320	SNW 120x3 1/2
H-2320 x 90	90	100	97	130	20	4.740	H 2320	H 2320	-



Taper 1:12

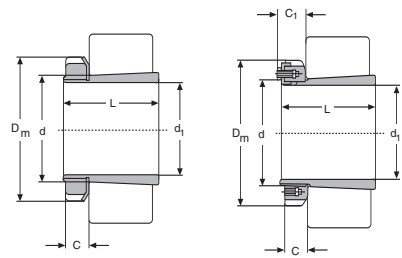
ADAPTERS - COMPLETE WITH LOCKNUTS AND LOCKWASHERS* (cont'd)

Consolidated No.	Dimensions (Metric / Inch)					Approx. Wgt. (lbs.)	Interchange	LINK-BELT SKF TORRINGTON	
	d1 (Bore)	d	L	Dm	C				FAG
H-2321 x 95	95	105	101	140	20	5.420	H 2321	-	-
H-2322 x 3 15/16	3.9375	110	105	145	21	6.040	H 2322.315	-	SNW 122x3 15/16
H-2322 x 4	4.0000	110	105	145	21	6.040	H 2322.400	HE 2322	SNW 122x4
H-2322 x 100	100	110	105	145	21	6.040	H 2322	H 2322	-
H-2324 x 4 3/16	4.1875	120	112	155	22	7.030	H 2324.403	HA 2324	SNW 124x4 3/16
H-2324 x 4 1/4	4.2500	120	112	155	22	7.030	H 2324.404	HE 2324	SNW 124x4 1/4
H-2324 x 110	110	120	112	155	22	7.030	H 2324	H 2324	-
H-2326 x 4 7/16	4.4375	130	121	165	23	10.100	H 2326.407	HA 2326	SNW 126x4 7/16
H-2326 x 4 1/2	4.5000	130	121	165	23	10.100	H 2326.408	HE 2326	SNW 126x4 1/2
H-2326 x 115	115	130	121	165	23	10.100	H 2326	H 2326	-
H-2328 x 4 15/16	4.9375	140	131	180	24	12.200	H 2328.415	HA 2328	SNW 128x4 15/16
H-2328 x 5	5.0000	140	131	180	24	12.200	H 2328.500	HE 2328	SNW 128x5
H-2328 x 125	125	140	131	180	24	12.200	H 2328	H 2328	-
H-2330 x 5 3/16	5.1875	150	139	195	26	14.600	H 2330.503	-	SNW 130x5 3/16
H-2330 x 5 1/4	5.2500	150	139	195	26	14.600	H 2330.504	HE 2330	SNW 130x5 1/4
H-2330 x 135	135	150	139	195	26	14.600	H 2330	H 2330	-
H-2332 x 5 7/16	5.4375	160	147	210	28	20.200	H 2332.507	HA 2332	SNW 132x5 7/16
H-2332 x 5 1/2	5.5000	160	147	210	28	20.200	H 2332.508	HE 2332	SNW 132x5 1/2
H-2332 x 140	140	160	147	210	28	20.200	H 2332	H 2332	-
H-2334 x 5 15/16	5.9375	170	154	220	29	22.500	H 2334.515	HA 2334	SNW 134x5 15/16
H-2334 x 6	6.0000	170	154	220	29	22.500	H 2334.600	HE 2334	SNW 134x6
H-2334 x 150	150	170	154	220	29	22.500	H 2334	H 2334	-
H-2336 x 6 7/16	6.4375	180	161	230	30	24.900	-	HA 2336	SNW 136x6 7/16
H-2336 x 6 1/2	6.5000	180	161	230	30	24.900	-	HE 2336	-
H-2336 x 160	160	180	161	230	30	24.900	H 2336	H 2336	-
H-2338 x 6 3/4	6.7500	190	169	240	31	27.800	-	HE 2338	-
H-2338 x 6 15/16	6.9375	190	169	240	31	27.800	-	HA 2338	SNW 138x6 15/16
H-2338 x 7	7.0000	190	169	240	31	27.800	-	-	SNW 138x7
H-2338 x 170	170	190	169	240	31	27.800	H 2338	H 2338	-
H-2340 x 7	7.0000	200	176	250	32	30.600	-	HE 2340	-
H-2340 x 7 3/16	7.1875	200	176	250	32	30.600	-	HA 2340	SNW 140x7 3/16
H-2340 x 180	180	200	176	250	32	30.600	H 2340	H 2340	-
H-2344 x 7 15/16	7.9375	220	186	280	35	36.800	-	-	SNW 144x7 15/16
H-2344 x 200	200	220	186	280	35	36.800	H 2344 X	H2344A	-
H-2348 x 8 15/16	8.9375	240	199	300	37	48.800	-	-	SNP-148
H-2348 x 220	220	240	199	300	37	43.400	H 2348X	H 2348A	-
H-2352 x 9 7/16	9.4375	260	211	330	39	58.700	-	-	SNP-152
H-2352 x 240	240	260	211	330	39	53.400	H 2352 X	H 2352A	-
H-2356 x 260	260	280	224	350	41	61.300	H 2356 X	H 2356A	-

*These adapters must be used as complete units as furnished because the locknuts and sleeves are metric threaded

NOTE:

- 1.) Length dimension "L" may vary between all manufacturers
- 2.) Used with 2300-K, 22300-K, and 23200-K series



Lockwasher Type
Taper 1:12

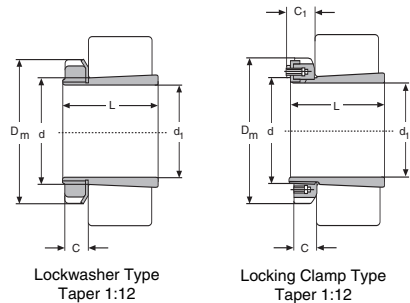
Locking Clamp Type
Taper 1:12

ADAPTERS - COMPLETE WITH LOCKNUTS AND LOCKWASHERS*

Consolidated No.	Dimensions (Metric / Inch)						Approx. Wgt. (lbs.)	FAG	Interchange LINK-BELT SKF TORRINGTON
	d1 (Bore)	d	L	Dm	C	C1			
H-3024 x 4 3/16	4.1875	120	72	145	22	-	4.260	H 3024.403	SNW 3024x4 3/16
H-3024 x 4 1/4	4.2500	120	72	145	22	-	4.260	H 3024.404	SNW 3024x4 1/4
H-3024 x 110	110	120	72	145	22	-	4.260	H 3024	-
H-3026 x 4 7/16	4.4375	130	80	155	23	-	6.280	H 3026.407	SNW 3026x4 7/16
H-3026 x 4 1/2	4.5000	130	80	155	23	-	6.280	H 3026.408	SNW 3026x4 1/2
H-3026 x 115	115	130	80	155	23	-	6.280	H 3026	-
H-3028 x 4 15/16	4.9375	140	82	165	24	-	6.970	H 3028.415	SNW 3028x4 15/16
H-3028 x 5	5	140	82	165	24	-	6.970	H 3028.500	SNW 3028x5
H-3028 x 125	125	140	82	165	24	-	6.970	H 3028	-
H-3030 x 5 3/16	5.1875	150	87	180	26	-	8.580	H 3030.503	SNW 3030x5 3/16
H-3030 x 5 1/4	5.2500	150	87	180	26	-	8.580	H 3030.504	SNW 3030x5 1/4
H-3030 x 135	135	150	87	180	26	-	8.580	H 3030	-
H-3032 x 5 7/16	5.4375	160	93	190	28	-	11.500	H 3032.507	SNW 3032x5 7/16
H-3032 x 5 1/2	5.5000	160	93	190	28	-	11.500	H 3032.508	SNW 3032x5 1/2
H-3032 x 140	140	160	93	190	28	-	11.500	H 3032	-
H-3034 x 5 15/16	5.9375	170	101	200	29	-	13.200	H 3034.515	SNW 3034x5 15/16
H-3034 x 6	6.0000	170	101	200	29	-	13.200	H 3034.600	SNW 3034x6
H-3034 x 150	150	170	101	200	29	-	13.200	H 3034	-
H-3036 x 6 7/16	6.4375	180	109	210	30	-	15.100	-	SNW-3036x6 7/16
H-3036 x 6 1/2	6.5000	180	109	210	30	-	15.100	-	-
H-3036 x 160	160	180	109	210	30	-	15.100	H 3036	-
H-3038 x 6 15/16	6.9375	190	112	220	31	-	16.400	-	SNW 3038x6 15/16
H-3038 x 7	7.0000	190	112	220	31	-	16.400	-	SNW 3038x7
H-3038 x 170	170	190	112	220	31	-	16.400	H 3038	-
H-3040 x 7 3/16	7.1875	200	120	240	32	-	20.300	-	SNW 3040x7 3/16
H-3040 x 180	180	200	120	240	32	-	20.300	H 3040	-
H-3044 x 7 15/16	7.9375	220	126	260	30	41	22.700	-	SNP 3044x7 15/16
H-3044 x 8	8.0000	220	126	260	30	41	22.700	-	SNP 3044x8
H-3044 x 200	200	220	126	260	30	41	22.700	H 3044 X	-
H-3048 x 8 7/16	8.4375	240	133	290	34	46	35.600	-	SNP-3048x8 7/16
H-3048 x 8 1/2	8.5000	240	133	290	34	46	35.400	-	SNP-3048x8 1/2
H-3048 x 8 15/16	8.9375	240	133	290	34	46	32.200	-	SNP-3048x8 15/16
H-3048 x 9	9.0000	240	133	290	34	46	32.100	-	SNP 3048x9
H-3048 x 220	220	240	133	290	34	46	29.100	H 3048	-
H-3052 x 9 7/16	9.4375	260	145	310	34	46	41.100	-	SNP-3052x9 7/16
H-3052 x 9 1/2	9.5000	260	145	310	34	46	41.000	-	SNP-3052x9 1/2
H-3052 x 240	240	260	145	310	34	46	33.700	H 3052X	-
H-3056 x 9 15/16	9.9375	280	152	330	38	50	50.000	-	SNP-3056x9 15/16
H-3056 x 10	10.0000	280	152	330	38	50	49.900	-	SNP-3056x10
H-3056 x 10 7/16	10.4375	280	152	330	38	50	45.400	-	SNP-3056x10 7/16
H-3056 x 10 1/2	10.5000	280	152	330	38	50	45.300	-	SNP-3056x10 1/2
H-3056 x 260	260	280	152	330	38	50	39.000	H 3056	-
H-3060 x 10 15/16	10.9375	300	168	360	42	54	58.900	-	SNP-3060x10 15/16
H-3060 x 11	11.0000	300	168	360	42	54	58.700	-	SNP-3060x11
H-3060 x 280	280	300	168	360	42	54	50.300	H 3060	-
H-3064 x 11 1/2	11.5000	320	171	380	42	55	72.000	-	SNP-3064x11 1/2
H-3064 x 11 15/16	11.9375	320	171	380	42	55	65.700	-	SNP-3064x11 15/16
H-3064 x 12	12.0000	320	171	380	42	55	65.700	-	SNP-3064x12
H-3064 x 300	300	320	171	380	42	55	54.200	H 3064	-
H-3068 x 320	320	340	187	400	45	58	63.300	H 3068	-
H-3072 x 12 15/16	12.9375	360	188	420	45	58	80.700	-	SNP-3072x12 15/16
H-3072 x 13	13.0000	360	188	420	45	58	79.000	-	SNP-3072x13
H-3072 x 340	340	360	188	420	45	58	67.300	H 3072	-
H-3076 x 13 15/16	13.9375	380	193	450	48	62	78.000	-	SNP-3076x13 15/16
H-3076 x 360	360	380	193	450	48	62	78.930	H-3076 HG	-
H-3080 x 380	380	400	210	470	52	66	91.000	H-3080 HG	-
H-3084 x 400	400	420	212	490	52	66	96.300	H-3084 HG	-
H-3088 x 410	410	440	228	520	60	75	144.000	H-3088 HG	-
H-3092 x 430	430	460	234	540	60	75	153.000	H-3092 HG	-
H-3096 x 450	450	480	237	560	60	75	162.000	H-3096 HG	-

*These adapters must be used as complete unit as furnished because the locknuts and sleeves are metric threaded

- 1.) Length dimension "L" may vary between all manufacturers
- 2.) Used with 20200-K, 20300-K, and 23000-K series

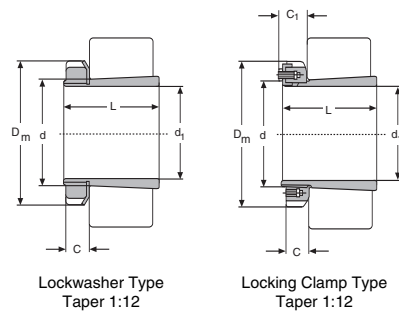


ADAPTERS - COMPLETE WITH LOCKNUTS AND LOCKWASHERS*

Consolidated No.	Dimensions (Metric / Inch)						Approx. Wgt. (lbs.)	Interchange		
	d1 (Bore)	d	L	Dm	C	C1		FAG	SKF (Old No.)	LINK-BELT SKF TORRINGTON
H-3120 x 3 7/16	3.4375	100	75	130	20	-	3.970	H 3120.307	HA 3120	SNW 3120x3 7/16
H-3120 x 3 1/2	3.5000	100	75	130	20	-	3.970	H 3120.308	HE 3120	SNW 3120x3 1/2
H-3120 x 90	90	100	75	130	20	-	3.970	H 3120	-	-
H-3122 x 3 11/16	3.6875	110	81	145	21	-	5.100	-	-	SNW 3122x3 11/16
H-3122 x 3 15/16	3.9375	110	81	145	21	-	4.960	H 3122.315	HA 3122	SNW 3122x3 15/16
H-3122 x 4	4.0000	110	81	145	21	-	4.960	H 3122.400	HE 3122	SNW 3122x4
H-3122 x 100	100	110	81	145	21	-	4.960	H 3122	-	-
H-3124 x 4 3/16	4.1875	120	88	155	22	-	5.820	H 3124.403	HA 3124	SNW 3124x4 3/16
H-3124 x 4 1/4	4.2500	120	88	155	22	-	5.820	H 3124.404	HE 3124	SNW 3124x4 1/4
H-3124 x 110	110	120	88	155	22	-	5.820	H 3124	-	-
H-3126 x 4 7/16	4.4375	130	92	165	23	-	8.070	H 3126.407	HA 3126	SNW 3126x4 7/16
H-3126 x 4 1 1/8	4.5000	130	92	165	23	-	8.070	H 3126.408	HE 3126	SNW 3126x4 1 1/8
H-3126 x 115	115	130	92	165	23	-	8.070	H 3126	-	-
H-3128 x 4 15/16	4.9375	140	97	180	24	-	9.570	H 3128.415	HA 3128	SNW 3128x4 15/16
H-3128 x 5	5.0000	140	97	180	24	-	9.570	H 3128.500	HE 3128	SNW 3128x5
H-3128 x 125	125	140	97	180	24	-	9.570	H 3128	-	-
H-3130 x 5 3/16	5.1875	150	111	195	26	-	12.200	H 3130.503	HA 3130	SNW 3130x5 3/16
H-3130 x 5 1/4	5.2500	150	111	195	26	-	12.200	H 3130.504	HE 3130	SNW 3130x5 1/4
H-3130 x 135	135	150	111	195	26	-	12.200	H 3130	-	-
H-3132 x 5 7/16	5.4375	160	119	210	28	-	16.900	H 3132.507	HA 3132	SNW 3132x5 7/16
H-3132 x 5 1/2	5.5000	160	119	210	28	-	16.900	H 3132.508	HE 3132	SNW 3132x5 1/2
H-3132 x 140	140	160	119	210	28	-	16.900	H 3132	-	-
H-3134 x 5 15/16	5.9375	170	122	220	29	-	18.500	H 3134.515	HA 3134	SNW 3134x5 15/16
H-3134 x 6	6.0000	170	122	220	29	-	18.500	H 3134.600	HE 3134	SNW 3134x6
H-3134 x 150	150	170	122	220	29	-	18.500	H 3134	-	-
H-3136 x 6 7/16	6.4375	180	131	230	30	-	20.900	-	HA 3136	SNW 3136x6 7/16
H-3136 x 6 1/2	6.5000	180	131	230	30	-	20.900	-	HE 3136	-
H-3136 x 160	160	180	131	230	30	-	20.900	H 3136	-	-
H-3138 x 6 15/16	6.9375	190	141	240	31	-	23.800	-	HA 3138	SNW 3138x6 15/16
H-3138 x 7	7.0000	190	141	240	31	-	23.800	-	HE 3138	SNW 3138 x 7
H-3138 x 170	170	190	141	240	31	-	23.800	H 3138	-	-
H-3140 x 7 3/16	7.1875	200	150	250	32	-	26.700	-	HA 3140	SNW 3140x7 3/16
H-3140 x 180	180	200	150	250	32	-	26.700	H 3140	-	-
H-3144 x 7 15/16	7.9375	220	161	280	35	-	32.400	-	-	SNW 3144x7 15/16
H-3144 x 8	8.0000	220	161	280	35	-	32.400	-	-	SNW 3144x8
H-3144 x 200	200	220	161	280	35	-	32.400	H 3144 X	-	-
H-3148 x 8 1/2	8.5000	240	172	300	37	-	43.300	-	-	SNP-3148x8 1/2
H-3148 x 8 15/16	8.9375	240	172	300	37	-	43.300	-	-	SNP-3148x8 15/16
H-3148 x 9	9.0000	240	172	300	37	-	43.300	-	-	SNP-3148x9
H-3148 x 220	220	240	172	300	37	-	38.100	H 3148 X	-	-
H-3152 x 9 7/16	9.4375	260	190	330	39	-	50.400	-	-	SNP-3152x9 7/16
H-3152 x 9 1/2	9.5000	260	190	330	39	-	50.400	-	-	SNP 3152x9 1/2
H-3152 x 240	240	260	190	330	39	-	48.500	H 3152 X	-	-
H-3156 x 10	10.0000	280	192	350	41	-	54.000	-	-	-
H-3156 x 10 7/16	10.4375	280	192	350	41	-	54.000	-	-	SNP 3156x10 7/16
H-3156 x 260	260	280	192	350	41	-	54.000	H 3156	-	-
H-3160 x 280	280	300	208	380	40	53	66.600	H 3160	H 3160	-
H-3164 x 300	300	320	226	400	42	56	77.000	H 3164	H 3164	-
H-3168 x 320	320	340	254	440	55	72	109.000	H 3168	H 3168	-
H-3172 x 340	340	360	259	460	58	75	120.000	H 3172	H 3172	-
H-3176 x 360	360	380	264	490	60	77	136.000	H 3176	H 3176	-
H-3180 x 380	380	400	272	520	62	82	156.000	H 3180	H 3180	-
H-3184 x 400	400	420	304	540	70	90	186.000	H 3184	H 3184	-
H-3188 x 410	410	440	307	560	70	90	229.000	H 3188	H 3188	-
H-3192 x 430	430	460	326	580	75	95	256.000	H 3192	H 3192	-
H-3196 x 450	450	480	335	620	75	95	293.000	H 3196	H 3196	-

* These adapters must be used as complete units as furnished because the locknuts and sleeves are metric threaded

- NOTE:
 1.) Length dimension "L" may vary between all manufacturers
 2.) Used with 20300-K, 22200-K and 23100-K series



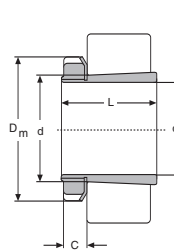
ADAPTERS - COMPLETE WITH LOCKNUTS AND LOCKING CLAMPS*

Consolidated No.	Dimensions (Metric)						Approx. Wgt. (lbs.)	Interchange FAG
	d1 (Bore)	d	L	Dm	C	C1		
H-3836 x 160	160	180	66	210	30	-	10.480	H 3836
H-3838 x 170	170	190	70	220	31	-	11.580	H 3838
H-3840 x 180	180	200	72	240	32	-	14.090	H 3840
H-3844 x 200	200	220	73	260	30	41	14.840	H 3844
H-3848 x 220	220	240	81	280	30	41	17.510	H 3848
H-3852 x 240	240	260	81	300	30	41	18.960	H 3852
H-3856 x 260	260	280	90	320	32	43	22.270	H 3856
H-3860 x 280	280	300	102	340	35	46	26.900	H 3860
H-3864 x 300	300	320	103	360	36	47	29.330	H 3864
H-3868 x 320	320	340	106	380	39	50	32.630	H 3868
H-3872 x 340	340	360	107	400	40	51	34.840	H 3872
H-3876 x 360	360	380	123	430	40	52	44.980	H 3876
H-3880 x 380	380	400	125	450	42	54	48.950	H 3880
H-3884 x 400	400	420	125	470	42	54	51.810	H 3884
H-3888 x 420	420	440	133	500	50	63	65.260	H 3888
H-3892 x 440	440	460	148	520	50	63	72.760	H 3892
H-3896 x 460	460	480	149	540	50	63	74.960	H 3896
H-38/500 x 480	480	500	155	560	55	68	84.660	H 38/500
H-38/530 x 500	500	530	155	600	55	70	116.850	H 38/530
H-38/560 x 530	530	560	160	630	60	75	132.280	H 38/560
H-38/600 x 570	570	600	168	670	60	75	143.300	H 38/600

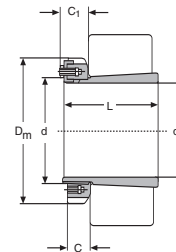
*These adapters must be used as complete units because the locknuts and sleeves are metric threaded

NOTE:

1.) Used with 23800-K series



Lockwasher Type
Taper 1:12



Locking Clamp Type
Taper 1:12

ADAPTERS - COMPLETE WITH LOCKNUTS AND LOCKWASHERS*

Consolidated No.	Dimensions (Metric / Inch)						Approx. Wgt. (lbs.)	Interchange	
	d1 (Bore)	d	L	Dm	C	C1		FAG	SKF
H-3924 x 110	110	120	60	145	22	-	3.700	H 3924	-
H-3926 x 115	115	130	65	155	65	-	5.360	H 3926	-
H-3928 x 125	125	140	66	165	24	-	5.950	H 3928	-
H-3930 x 135	135	150	76	180	26	-	7.870	H 3930	-
H-3932 x 140	140	160	78	190	27.5	-	10.100	H 3932	-
H-3934 x 150	150	170	79	200	28.5	-	10.900	H 3934	-
H-3936 x 160	160	180	87	210	29.5	-	12.600	H 3936	H 3936
H-3938 x 170	170	190	89	220	30.5	-	13.600	-	H 3938
H-3940 x 180	180	200	98	240	31.5	-	17.400	H 3940	H 3940
H-3944 x 200	200	220	96	260	30	41	18.000	H 3944	H 3944
H-3948 x 220	220	240	101	290	34	46	23.600	H 3948	H 3948
H-3952 x 240	240	260	116	310	34	46	28.200	H 3952	H 3952
H-3956 x 260	260	280	121	330	38	50	32.600	H 3956	H 3956
H-3960 x 280	280	300	140	360	42	54	43.700	H 3960	H 3960
H-3964 x 300	300	320	140	380	42	55	46.300	H 3964	H 3964
H-3968 x 320	320	340	144	400	45	58	51.800	H 3968	H 3968
H-3972 x 340	340	360	144	420	45	58	54.000	H 3972	H 3972
H-3976 x 360	360	380	164	450	48	62	69.500	H 3976	H 3976
H-3980 x 380	380	400	168	470	52	66	77.200	H 3980	H 3980
H-3984 x 400	400	420	168	490	52	66	80.700	H 3984	H 3984
H-3988 x 410	410	440	189	520	60	77	126.000	H 3988	H 3988
H-3992 x 430	430	460	189	540	60	77	133.000	H 3992	H 3992
H-3996 x 450	450	480	200	560	60	77	143.000	H 3996	H 3996
H-39/500 x 470	470	500	208	580	68	85	161.000	H 39/500	H 39/500

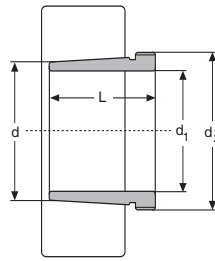
NOTE:
1.) Used with 23900-K series

ADAPTERS - COMPLETE WITH LOCKNUTS AND LOCKING CLAMPS*

H-3260 x 280	280	300	240	380	40	53	75.200	H 3260 HG	-
H-3264 x 11 15/16	11.9375	320	258	400	42	56	88.870	-	SNP-3264
H-3264 x 12	12.0000	320	258	400	42	56	87.000	-	-
H-3264 x 300	300	320	258	400	42	56	86.700	H 3264 HG	-
H-3268 x 12 7/16	12.4375	340	288	440	55	72	115.000	-	SNP-3268
H-3268 x 320	320	340	288	440	55	72	120.000	H 3268 HG	-
H-3272 x 13 7/16	13.4375	360	299	460	58	75	130.000	-	SNP-3272
H-3272 x 340	340	360	299	460	58	75	134.000	H 3272 HG	-
H-3276 x 360	360	380	310	490	60	77	153.000	H 3276 HG	-
H-3280 x 380	380	400	328	520	62	82	179.000	H 3280 HG	-
H-3284 x 400	400	420	352	540	70	90	207.000	H 3284 HG	-
H-3288 x 410	410	440	361	560	70	90	260.000	H 3288 HG	-
H-3292 x 430	430	460	382	580	75	95	291.000	H 3292 HG	-
H-3296 x 450	450	480	397	620	75	95	335.000	H 3296 HG	-
H-32/500 x 470	470	500	428	630	80	100	366.000	H 32/500 HG	-

*These adapters must be used as complete units as furnished because the locknuts and sleeves are metric threaded

NOTE:
1.) These adapters are used with bearing series 22360-K, 23260-K and larger



Taper 1:12

WITHDRAWAL SLEEVES*

Consolidated No.	Dimensions (Metric)				Approx. Wgt. (lbs.)	Withdrawal Nut	Interchange FAG SKF STEYR
	d1 (Bore)	d	L	d2 x Pitch			
AH-308 x 35	35	40	29	M 45x1.5	.200	KM 9	AH 308
AH-309 x 40	40	45	31	M 50x1.5	.240	KM 10	AH 309
AHX-310 x 45	45	50	35	M 55x2	.310	KM 11	AHX 310
AHX-311 x 50	50	55	37	M 60x2	.360	KM 12	AHX 311
AH-312 x 55	55	60	40	M 70x2	.510	KM 14	AH 312
AHX-312 x 55	55	60	40	M 65x2	.420	KM 13	AHX 312
AH-313 x 60	60	65	42	M 75x2	.560	KM 15	AH 313
AHX-313 x 60	60	65	42	M 70x2	.500	KM 14	AHX 313
AH-314 x 65	65	70	43	M 80x2	.620	KM 16	AH 314
AH-315 x 70	70	75	45	M 85x2	.690	KM 17	AH 315
AH-316 x 75	75	80	48	M 90x2	.810	KM 18	AH 316
AHX-317 x 80	80	85	52	M 95x2	.950	KM 19	AHX 317
AHX-318 x 85	85	90	53	M 100x2	1.020	KM 20	AHX 318
AH-319 x 90	90	95	57	M 110x2	1.310	KM 22	AH 319
AHX-319 x 90	90	95	57	M 105x2	1.170	KM 21	AHX 319
AHX-320 x 95	95	100	59	M 110x2	1.280	KM 22	AHX 320
AH-322 x 100	100	110	63	M 130x2	2.850	KM 26	AH 322
AHX-322 x 105	105	110	63	M 120x2	1.460	KM 24	AHX 322
AHX-324 x 115	115	120	69	M 130x2	1.910	KM 26	AHX 324
AHX-326 x 125	125	130	74	M 140x2	2.250	KM 28	AHX 326
AHX-328 x 135	135	140	77	M 150x2	2.560	KM 30	AHX 328
AHX-330 x 145	145	150	83	M 165x3	3.310	KM 33	AHX 330
AH-332 x 150	150	160	88	M 180x3	5.930	KM 36	AH 332
AH-334 x 160	160	170	93	M 190x3	6.770	KM 38	AH 334

NOTE:

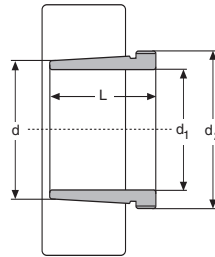
1.) Used with 1300-K, 2200-K, 20300-K, 21300-K and 22200-K series

AH-2236 x 170	170	180	105	M-200x3	8.220	KM 40	AH 2236
AH-2238 x 180	180	190	112	Tr-210x4	9.370	HM 42T	AH 2238
AH-2240 x 190	190	200	118	Tr-220x4	10.300	HM 44T	AH 2240
AH-2244 x 200	200	220	130	Tr-240x4	20.100	HM 48T	AH 2244
AH-2248 x 220	220	240	144	Tr-260x4	24.500	HM 52T	AH 2248
AH-2252 x 240	240	260	155	Tr-290x4	30.900	HM 58T	AH 2252
AH-2256 x 260	260	280	155	Tr-310x5	33.500	HM 62T	AH 2256
AH-2260 x 280	280	300	170	Tr-330x5	39.900	HM 66T	AH 2260
AH-2264 x 300	300	320	180	Tr-350x5	44.500	HM 70T	AH 2264

* These sleeves are furnished without withdrawal nuts. The appropriate nut must be ordered separately. See column - Withdrawal Nut

NOTE:

- 1.) Used with 22200-K series
- 2.) Prefix "Tr" in column d2 indicates trapezoidal threads having an angle of 30°.



Taper 1:12

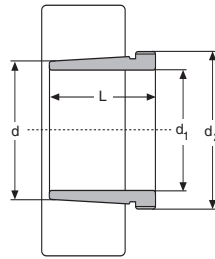
WITHDRAWAL SLEEVES*

Consolidated No.	Dimensions (Metric)				Approx. Wgt. (lbs.)	Withdrawal Nut	FAG SKF STEYR	Interchange
	d1 (Bore)	d	L	d2 x Pitch				
AH-2308 x 35	35	40	40	M 45x1.5	.290	KM 9	AH 2308	
AH-2309 x 40	40	45	44	M 50x1.5	.370	KM 10	AH 2309	
AHX-2310 x 45	45	50	50	M 55x2	.470	KM 11	AHX 2310	
AHX-2311 x 50	50	55	54	M 60x2	.560	KM 12	AHX 2311	
AH-2312 x 55	55	60	57	M 70x2	.750	KM 14	AH 2312	
AHX-2312 x 55	55	60	58	M 65x2	.660	KM 13	AHX 2312	
AH-2313 x 60	60	65	61	M 75x2	.880	KM 15	AH 2313	
AHX-2314 x 65	65	70	64	M 80x2	1.030	KM 16	AHX 2314	
AHX-2315 x 70	70	75	68	M 85x2	1.180	KM 17	AHX 2315	
AHX-2316 x 75	75	80	71	M 90x2	1.320	KM 18	AHX 2316	
AHX-2317 x 80	80	85	74	M 95x2	1.480	KM 19	AHX 2317	
AH-2318 x 85	85	90	80	M 105x2	1.910	KM 21	AH 2318	
AHX-2318 x 85	85	90	79	M 100x2	1.720	KM 20	AHX 2318	
AH-2319 x 90	90	95	85	M 110x2	2.190	KM 22	AHX 2319	
AHX-2319 x 90	90	95	85	M 105x2	1.950	KM 21	AHX 2319	
AHX-2320 x 95	95	100	90	M 110x2	2.200	KM 22	AHX 2320	
AH-2322 x 100	100	100	98	M 130x2	4.610	KM 26	AH 2322	
AHX-2322 x 105	105	110	98	M 125x2	2.980	KM 25	AHX 2322	
AHX-2324 x 110	110	120	105	M 135x2	5.450	KM 27	-	
AHX-2324 x 115	115	120	105	M 135x2	3.530	KM 27	AHX 2324	
AHX-2326 x 120	120	130	115	M 145x2	6.660	KM 29	-	
AHX-2326 x 125	125	130	115	M 145x2	4.340	KM 29	AHX 2326	
AHX-2328 x 135	135	140	125	M 155x3	5.140	KM 31	AHX 2328	
AHX-2330 x 145	145	150	135	M 165x3	6.220	KM 33	AHX 2330	
AH-2332 x 150	150	160	140	M 180x3	10.400	KM 36	AH 2332	
AH-2334 x 160	160	170	146	M 190x3	11.600	KM 38	AH 2334	
AH-2336 x 170	170	180	154	M 200x3	12.900	KM 40	AH 2336	
AH-2338 x 180	180	190	160	Tr 210x4	14.600	HM 42 T	AH 2338	
AH-2340 x 190	190	200	170	Tr 220x4	16.600	HM 44 T	AH 2340	
AH-2344 x 200	200	220	181	Tr 240x4	29.800	HM 48 T	AH 2344	
AH-2348 x 220	220	240	189	Tr 260x4	34.200	HM 52 T	AH 2348	
AH-2352 x 240	240	260	205	Tr 290x4	43.200	HM 58 T	AH 2352	
AH-2356 x 260	260	280	212	Tr 310x5	47.600	HM 62 T	AH 2356	

* Are furnished without withdrawal nuts. The appropriate nut must be ordered separately. See column- Withdrawal Nut

NOTE:

- 1.) Used with 2300-K, 22300-K and 23200-K series
- 2.) Prefix "Tr" in column d2 indicates trapezoidal threads having an angle of 30°.



Taper 1:12

WITHDRAWAL SLEEVES*

Consolidated No.	Dimensions (Metric)				Approx. Wgt. (lbs.)	Withdrawal Nut	Interchange FAG SKF STEYR
	d1 (Bore)	d	L	d2 x Pitch			
AHX-3024 x 115	115	120	60	M 130x2	1.650	KM 26	AHX 3024
AHX-3026 x 125	125	130	67	M 140x2	2.050	KM 28	AHX 3026
AHX-3028 x 135	135	140	68	M 150x2	2.230	KM 30	AHX 3028
AHX-3030 x 145	145	150	72	M 160x2	2.540	KM 32	AHX 3030
AHX-3032 x 150	150	160	77	M 170x3	4.540	KM 34	AH 3032
AH-3034 x 160	160	170	85	M 180x3	5.360	KM 36	AH 3034
AH-3036 x 170	170	180	92	M 190x3	6.200	KM 38	AH 3036
AH-3038 x 180	180	190	96	Tr 205x4	7.320	HML 41 T	AH 3038
AH-3040 x 190	190	200	102	Tr 215x4	8.380	HML 43 T	AH 3040
AH-3044 x 200	200	220	111	Tr 235x4	16.300	HML 47 T	AH 3044
AH-3048 x 220	220	240	116	Tr 260x4	19.300	HML 52 T	AH 3048
AH-3052 x 240	240	260	128	Tr 280x4	23.600	HML 56 T	AH 3052
AH-3056 x 260	260	280	131	Tr 300x4	26.500	HML 60 T	AH 3056
AH-3060 x 280	280	300	145	Tr 320x5	31.800	HML 64 T	AH 3060
AH-3064 x 300	300	320	149	Tr 345x5	35.300	HML 69 T	AH 3064 H
AH-3068 x 320	320	330	162	Tr 365x5	43.000	HML 73 T	AH 3068 H
AOH-3072 x 340	340	360	167	Tr 385x5	46.300	HML 77 T	AH 3072 H
AOH-3076 x 360	360	380	170	Tr 410x5	51.200	HML 82 T	AH 3076 H

NOTE:

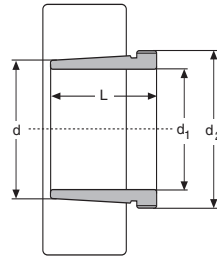
1.) Used with 21300-K and 23000-K series

AHX-3120 x 95	95	100	64	M 110x2	1.430	KM 22	AHX 3120
AHX-3122 x 100	100	110	68	M 125x2	2.830	KM 25	AH 3122
AHX-3122 x 105	105	110	68	M 120x2	1.680	KM 24	AHX 3122
AH-3124 x 110	110	120	75	M 140x2	3.690	KM 28	AH 3124
AHX-3124 x 115	115	120	75	M 130x2	2.090	KM 26	AHX 3124
AH-3126 x 120	120	130	78	M 150x2	4.130	KM 30	AH 3126
AHX-3126 x 125	125	130	78	M 140x2	2.380	KM 28	AHX 3126
AH-3128 x 130	130	140	83	M 160x2	4.940	KM 32	AH 3128
AHX-3128 x 135	135	140	83	M 150x2	2.820	KM 30	AHX 3128
AHX-3130 x 140	140	150	96	M 165x3	5.690	KM 33	-
AHX-3130 x 145	145	150	96	M 165x3	4.130	KM 33	AHX 3130
AH-3132 x 150	150	160	103	M 180x3	7.080	KM 36	AH 3132
AH-3134 x 160	160	170	104	M 190x3	7.500	KM 38	AH 3134
AH-3136 x 170	170	180	116	M 200x3	9.310	KM 40	AH 3136
AH-3138 x 180	180	190	125	Tr 210x4	10.800	HM 42 T	AH 3138
AH-3140 x 190	190	200	134	Tr 220x4	12.100	HM 44 T	AH 3140
AH-3144 x 200	200	220	145	Tr 240x4	22.900	HM 48 T	AH 3144
AH-3148 x 220	220	240	154	Tr 260x4	26.600	HM 52 T	AH 3148
AH-3152 x 240	240	260	172	Tr 290x4	35.700	HM 58 T	AH 3152
AH-3156 x 260	260	280	175	Tr 310x5	38.600	HM 62 T	AH 3156
AOH-3160 x 280	280	300	192	Tr 330x5	45.900	HM 66 T	AH 3160 H
AOH-3164 x 300	300	320	209	Tr 350x5	54.000	HM 70 T	AH 3164 H
AOH-3168 x 320	320	340	225	Tr 370x5	63.900	HM 74 T	AH 3168 H
AOH-3172 x 340	340	360	229	Tr 400x5	72.800	HM 80 T	AH 3172 H
AOH-3176 x 360	360	380	232	Tr 420x5	78.700	HM 84 T	AH 3176 H
AOH-3180 x 380	380	400	240	Tr 440x5	87.100	HM 88 T	AH 3180 H
AOH-3184 x 400	400	420	266	Tr 460x5	103.000	HM 92 T	AH 3184 H

*These sleeves are furnished without withdrawal nuts. The appropriate nut must be ordered separately. See column- Withdrawal Nut

NOTE:

- 1.) Used with 22200-K and 23100-K series
- 2.) Prefix "Tr" in column d2 indicates trapezoidal threads having an angle of 30°.



Taper 1:12

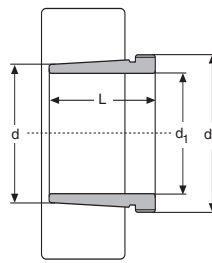
WITHDRAWAL SLEEVES*

Consolidated No.	Dimensions (Metric)				Approx. Wgt. (lbs.)	Withdrawal Nut	Interchange FAG SKF
	d1 (Bore)	d	L	d2 x Pitch			
AH-3836 x 170	170	180	48	M 190x3	3.180	HMLL 38	AH 3836
AH-3838 x 180	180	190	51	M 200x3	3.530	HMLL 40	AH 3838
AH-3840 x 190	190	200	54	Tr 210x4	4.060	HMLL 42 T	AH 3840
AH-3844 x 200	200	220	54	Tr 230x4	7.500	HMLL 46 T	AH 3844
AH-3848 x 220	220	240	62	Tr 250x4	9.350	HMLL 50 T	AH 3848
AH-3852 x 240	240	260	64	Tr 275x4	11.240	HMLL 55 T	AH 3852
AH-3856 x 260	260	280	71	Tr 295x4	13.390	HMLL 59 T	AH 3856
AH-3860 x 280	280	300	82	Tr 315x5	16.780	HMLL 63 T	AH 3860
AH-3864 x 300	300	320	82	Tr 335x5	17.950	HMLL 67 T	AH 3864
AH-3868 x 320	320	340	82	Tr 355x5	19.070	HMLL 71 T	AH 3868
AH-3872 x 340	340	360	82	Tr 375x5	20.220	HMLL 75 T	AH 3872
AH-3876 x 360	360	380	97	Tr 395x5	25.140	HMLL 79 T	AH 3876
AH-3880 x 380	380	400	97	Tr 415x5	26.680	HMLL 83 T	AH 3880
AH-3884 x 400	400	420	97	Tr 435x5	27.780	HMLL 87 T	AH 3884
AH-3888 x 420	420	440	101	Tr 460x5	32.410	HMLL 92 T	AH 3888
AH-3892 x 440	440	460	116	Tr 480x5	38.800	HMLL 96 T	AH 3892
AH-3896 x 460	460	480	119	Tr 500x5	42.550	HMLL 100 T	AH 3896
AH-38/500 x 480	480	500	123	Tr 520x6	46.080	HMLL 104 T	AH 38/500
AH-38/530 x 500	500	530	128	Tr 550x6	69.440	HMLL 110 T	AH 38/530
AH-38/560 x 530	530	560	128	Tr 580x6	73.420	HMLL 116 T	AH 38/560
AH-38/600 x 570	570	600	138	Tr 625x6	88.410	HMLL 125 T	AH 38/600

*These sleeves are furnished without withdrawal nuts. The appropriate nut must be ordered separately.
See column- Withdrawal Nut

NOTE:

- 1.) Used with 23800-K series
- 2.) Prefix "Tr" in column d2 indicates trapezoidal threads having an angle of 30°.



Taper 1:12

WITHDRAWAL SLEEVES*

Consolidated No.	Dimensions (Metric)				Approx. Wgt. (lbs.)	Withdrawal Nut	Interchange FAG SKF
	d1 (Bore)	d	L	d2 x Pitch			
AH-3934 x 160	160	170	59	M 180x3	3.510	HMLL 36	AH 3934 A
AH-3936 x 170	170	180	66	M 190x3	4.210	HMLL 38	AH 3936
AH-3938 x 180	180	190	66	M 200x3	4.450	HMLL 40	AH 3938
AH-3940 x 190	190	200	77	Tr 210x4	5.780	HMLL 42 T	AH 3940
AH-3944 x 200	200	220	77	Tr 230x4	10.700	HMLL 46 T	AH 3944
AH-3948 x 220	220	240	77	Tr 250x4	11.700	HMLL 50 T	AH 3948
AH-3952 x 240	240	260	94	Tr 275x4	16.200	HMLL 55 T	AH 3952
AH-3956 x 260	260	280	94	Tr 295x4	17.700	HMLL 59 T	AH 3956
AH-3960 x 280	280	300	112	Tr 315x5	23.200	HMLL 63 T	AH 3960
AH-3964 x 300	300	320	112	Tr 335x5	24.700	HMLL 67 T	AH 3964
AH-3968 x 320	320	340	112	Tr 355x5	26.200	HMLL 71 T	AH 3968
AH-3972 x 340	340	360	112	Tr 375x5	27.800	HMLL 75 T	AH 3972
AH-3976 x 360	360	380	130	Tr 395x5	34.000	HMLL 79 T	AH 3976
AH-3980 x 380	380	400	130	Tr 415x5	36.600	HMLL 83 T	AH 3980
AH-3984 x 400	400	420	130	Tr 435x5	38.600	HMLL 87 T	AH 3984
AH-3988 x 420	420	440	145	Tr 460x5	47.400	HMLL 92 T	AH 3988
AH-3992 x 440	440	460	145	Tr 480x5	49.600	HMLL 96 T	AH 3992
AH-3996 x 460	460	480	158	Tr 500x5	57.300	HMLL 100 T	AH 3996
AH-39/500 x 480	480	500	162	Tr 520x6	61.700	HMLL 104 T	AH 39/500
AH-39/530 x 500	500	530	175	Tr 550x6	95.700	HMLL 110 T	AH 39/530

NOTE:

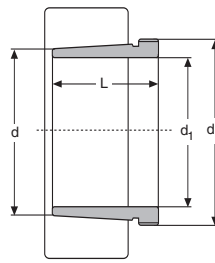
- 1.) Not normally stocked. Consult factory for availability
- 2.) Used with 23900-K series

AHX-3218 x 85	85	90	63	M 100x2	1.270	KM 20	AHX 3218
AHX-3219 x 90	90	95	67	M 105x2	1.440	KM 21	AHX 3219
AHX-3220 x 95	95	100	73	M 110x2	1.690	KM 22	AHX 3220
AHX-3222 x 105	105	110	82	M 125x2	1.940	KM 25	AHX 3222
AHX-3224 x 115	115	120	90	M 135x2	2.450	KM 27	AHX 3224
AHX-3226 x 125	125	130	98	M 145x2	3.480	KM 29	AHX 3226
AHX-3228 x 135	135	140	104	M 155x3	4.060	KM 31	AHX 3228
AHX-3230 x 145	145	150	114	M 165x3	4.900	KM 33	AHX 3230
AH-3232 x 150	150	160	124	M 180x3	9.000	KM 36	AH 3232
AH-3234 x 160	160	170	134	M 190x3	10.600	KM 38	AH 3234
AH-3236 x 170	170	180	140	M 200x3	11.700	KM 40	AH 3236
AH-3238 x 180	180	190	145	Tr 210x4	13.000	HM 42 T	AH 3238
AH-3240 x 190	190	200	153	Tr 220x4	14.700	HM 44 T	AH 3240
AH-3260 x 280	280	300	228	Tr 330x5	57.300	HM 66 T	AH 3260
AH-3264 x 300	300	320	246	Tr 350x5	67.500	HM 70 T	AH 3264

* These sleeves are furnished without withdrawal nuts. The appropriate nut must be ordered separately. See column- Withdrawal Nut

NOTE:

- 1.) Used with 22300-K and 23200-K series
- 2.) Prefix "Tr" in column d2 indicates trapezoidal threads having an angle of 30°.



Taper 1:30

WITHDRAWAL SLEEVES*

Consolidated No.	Dimensions (Metric)				Approx. Wgt. (lbs.)	Withdrawal Nut	Interchange	
	d1 (Bore)	d	L	d2 x Pitch			FAG	SKF
AH-24024 x 115	115	120	73	M 125x2	1.430	KM 25	AH 24024	AH 24024
AH-24026 x 125	125	130	83	M 135x2	1.850	KM 27	AH 24026	AH 24026
AH-24028 x 135	135	140	83	M 145x2	2.010	KM 29	AH 24028	AH 24028
AH-24030 x 145	145	150	90	M 155x3	2.290	KM 31	AH 24030	AH 24030
AH-24032 x 150	150	160	95	M 170x3	5.140	KM 34	AH 24032	AH 24032
AH-24034 x 160	160	170	106	M 180x3	6.170	KM 36	AH 24034	AH 24034
AH-24036 x 170	170	180	116	M 190x3	6.840	KM 38	AH 24036	AH 24036
AH-24038 x 180	180	190	118	M 200x3	7.720	KM 40	AH 24038	AH 24038
AH-24040 x 190	190	200	127	Tr 210x4	8.670	HM 42 T	AH 24040	AH 24040
AOH-24044 x 200	200	220	138	Tr 230x4	18.200	HM 46 T	AH 24044 H	AOH 24044
AOH-24048 x 220	220	240	138	Tr 250x4	19.800	HM 50 T	AH 24038 H	AOH 24048
AOH-24052 x 240	240	260	162	Tr 270x4	26.000	HM 54 T	AH 24052 H	AOH 24052
AOH-24056 x 260	260	280	162	Tr 290x4	28.200	HM 58 T	AH 24056 H	AOH 24056
AOH-24060 x 280	280	300	184	Tr 310x5	34.200	HM 62 T	AH 24060 H	AOH 24060
AOH-24064 x 300	300	320	184	Tr 330x5	36.600	HM 66 T	AH 24064 H	AOH 24064
AOH-24068 x 320	320	340	206	Tr 360x5	47.800	HM 72 T	AH 24068 H	AOH 24068
AOH-24072 x 340	340	360	206	Tr 380x5	50.100	HM 76 T	AH 24072 H	AOH 24072
AOH-24076 x 360	360	380	208	Tr 400x5	52.300	HM 80 T	AH 24076 H	AOH 24076
AOH-24080 x 380	380	400	228	Tr 420x5	59.800	HM 84 T	AH 24080 H	AOH 24080
AOH-24084 x 400	400	420	230	Tr 440x5	63.900	HM 88 T	AH 24084 H	AOH 24084

NOTE:

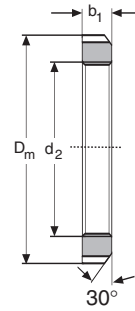
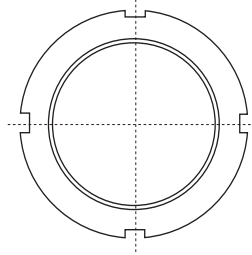
- 1.) Used with 24000-K30 series
- 2.) Prefix "AOH" designates sleeve with oil ducts for hydraulic mounting Example: AOH-24044 x 200

AH-24122 x 105	105	110	82	M 115x2	1.610	KM 23	AH 24122	AH 24122
AH-24124 x 115	115	120	93	M 130x2	2.200	KM 26	AH 24124	AH 24124
AH-24126 x 125	125	130	94	M 140x2	2.450	KM 28	AH 24126	AH 24126
AH-24128 x 135	135	140	99	M 150x2	2.760	KM 30	AH 24128	AH 24128
AH-24130 x 145	145	150	115	M 160x3	3.440	KM 32	AH 24130	AH 24130
AH-24132 x 150	150	160	124	M 170x3	6.620	KM 34	AH 24132	AH 24132
AH-24134 x 160	160	170	125	M 180x3	7.080	KM 36	AH 24134	AH 24134
AH-24136 x 170	170	180	134	M 190x3	8.110	KM 38	AH 24136	AH 24136
AH-24138 x 180	180	190	146	M 200x3	9.440	KM 40	AH 24138	AH 24138
AH-24140 x 190	190	200	158	Tr 210x4	11.200	HM 42 T	AH 24140	AH 24140
AOH-24144 x 200	200	220	170	Tr 230x4	22.500	HM 46 T	AH 24144 H	AOH 24144
AOH-24148 x 220	220	240	180	Tr 260x4	27.600	HM 52 T	AH 24148 H	AOH 24148
AOH-24152 x 240	240	260	202	Tr 280x4	34.000	HM 56 T	AH 24152 H	AOH 24152
AOH-24156 x 260	260	280	202	Tr 300x4	35.900	HM 60 T	AH 24156 H	AOH 24156
AOH-24160 x 280	280	300	224	Tr 320x5	43.000	HM 64 T	AH 24160 H	AOH 24160
AOH-24164 x 300	300	320	242	Tr 340x5	47.200	HM 68 T	AH 24164 H	AOH 24164
AOH-24168 x 320	320	340	269	Tr 360x5	59.800	HM 72 T	AH 24168 H	AOH 24168
AOH-24172 x 340	340	360	269	Tr 380x5	65.300	HM 76 T	AH 24172 H	AOH 24172
AOH-24176 x 360	360	380	271	Tr 400x5	69.000	HM 80 T	AH 24176 H	AOH 24176
AOH-24180 x 380	380	400	278	Tr 420x5	75.900	HM 84 T	AH 24180 H	AOH 24180

*These sleeves are furnished without withdrawal nuts. The appropriate nut must be ordered separately.
See column- Withdrawal Nut

NOTE:

- 1.) Used with 24100-K30 series
- 2.) Prefix "AOH" designates sleeve with oil ducts for hydraulic mounting Example: AOH-24144 x 200
- 3.) Prefix "Tr" in column d2 indicates trapezoidal threads having an angle of 30°.



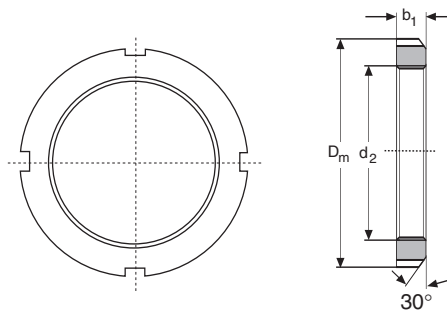
LOCKNUTS - METRIC*

Consolidated No.	Dimensions (Metric)	Approx. Wgt. (lbs.)	Interchange		
				d2 x Pitch	Dm
KM-0	M 10x.75	18	4	.020	KM 0
KM-1	M 12x1	22	4	.020	KM 1
KM-2	M 15x1	25	5	.030	KM 2
KM-3	M 17x1	28	5	.030	KM 3
KM-4	M 20x1	32	6	.050	KM 4
KM-5	M 25x1.5	38	7	.060	KM 5
KM-6	M 30x1.5	45	7	.100	KM 6
KM-7	M 35x1.5	52	8	.120	KM 7
KM-8	M 40x1.5	58	9	.190	KM 8
KM-9	M 45x1.5	65	10	.270	KM 9
KM-10	M 50x1.5	70	11	.330	KM 10
KM-11	M 55x2	75	11	.350	KM 11
KM-12	M 60x2	80	11	.390	KM 12
KM-13	M 65x2	85	12	.450	KM 13
KM-14	M 70x2	92	12	.540	KM 14
KM-15	M 75x2	98	13	.640	KM 15
KM-16	M 80x2	105	15	.880	KM 16
KM-17	M 85x2	110	16	1.000	KM 17
KM-18	M 90x2	120	16	1.230	KM 18
KM-19	M 95x2	125	17	1.450	KM 19
KM-20	M 100x2	130	18	1.540	KM 20
KM-21	M 105x2	140	18	1.860	KM 21
KM-22	M 110x2	145	19	2.130	KM 22
KM-23	M 115x2	150	19	2.230	KM 23
KM-24	M 120x2	155	20	2.380	KM 24
KM-25	M 125x2	160	21	2.620	KM 25
KM-26	M 130x2	165	21	2.760	KM 26
KM-27	M 135x2	175	22	3.420	KM 27
KM-28	M 140x2	180	22	3.440	KM 28
KM-29	M 145x2	190	24	4.410	KM 29
KM-30	M 150x2	195	24	4.480	KM 30
KM-31	M 155x3	200	25	4.870	KM 31
KM-32	M 160x3	210	25	5.710	KM 32
KM-33	M 165x3	210	26	5.360	KM 33
KM-34	M 170x3	220	26	6.170	KM 34
KM-36	M 180x3	230	27	6.770	KM 36
KM-38	M 190x3	240	28	7.470	KM 38
KM-40	M 200x3	250	29	8.140	KM 40
KML-24	M 120x2	145	20	1.720	KML 24
KML-26	M 130x2	155	21	1.760	KML 26
KML-28	M 140x2	165	22	2.180	KML 28
KML-30	M 150x2	180	24	3.040	KML 30
KML-32	M 160x3	190	25	3.440	KML 32
KML-34	M 170x3	200	26	3.790	KML 34
KML-36	M 180x3	210	27	4.300	KML 36
KML-38	M 190x3	220	28	4.590	KML 38
KML-40	M 200x3	240	29	6.570	KML 40

*Also used as withdrawal nuts

NOTE:

1.) The above locknuts are metric threaded and therefore are not interchangeable with domestic manufacturers

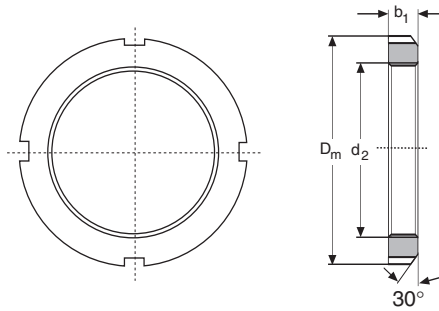


WITHDRAWAL NUTS - METRIC

Consolidated No.	Dimensions (Metric)			Approx. Wgt. (lbs.)	Interchange
	d2 x Pitch	Dm	b1		
HMLL-36	M 180x3	210	25	3.970	HMLL 36
HMLL-38	M 190x3	225	25	4.850	HMLL 38
HMLL-40	M 200x3	235	25	5.290	HMLL 40
HMLL-42 T	Tr 210x4	250	26	6.390	HMLL 42 T
HMLL-46 T	Tr 230x4	270	26	6.840	HMLL 46 T
HMLL-50 T	Tr 250x4	290	26	7.500	HMLL 50 T
HMLL-55 T	Tr 275x4	320	27	9.700	HMLL 55 T
HMLL-59 T	Tr 295x4	340	27	10.100	HMLL 59 T
HMLL-63 T	Tr 315x5	370	28	13.900	HMLL 63 T
HMLL-67 T	Tr 335x5	390	28	14.800	HMLL 67 T
HMLL-71 T	Tr 355x5	410	28	15.200	HMLL 71 T
HMLL-75 T	Tr 375x5	430	28	16.100	HMLL 75 T
HMLL-79 T	Tr 395x5	460	30	21.800	HMLL 79 T
HMLL-83 T	Tr 415x5	480	30	22.700	HMLL 83 T
HMLL-87 T	Tr 435x5	500	30	23.600	HMLL 87 T
HMLL-92 T	Tr 460x5	530	33	29.800	HMLL 92 T
HMLL-96 T	Tr 480x5	550	33	30.600	HMLL 96 T
HMLL-100 T	Tr 500x5	575	37	38.800	HMLL 100 T
HMLL-104 T	Tr 520x6	595	42	45.900	HMLL 104 T
HMLL-110 T	Tr 550x6	625	47	54.500	HMLL 110 T
HMLL-116 T	Tr 580x6	660	47	61.500	HMLL 116 T
HMLL-125 T	Tr 625x6	710	48	71.200	HMLL 125 T
HMLL-131 T	Tr 655x6	745	52	87.100	HMLL 131 T
HMLL-139 T	Tr 695x6	795	53	102.000	HMLL 139 T
HMLL-148 T	Tr 740x7	840	55	114.000	HMLL 148 T
HMLL-156 T	Tr 780x7	880	56	121.000	HMLL 156 T
HMLL-166 T	Tr 830x7	930	57	132.000	HMLL 166 T
HMLL-176 T	Tr 880x7	990	62	168.000	HMLL 176 T
HMLL-186 T	Tr 930x8	1040	63	181.000	HMLL 186 T

NOTE:

- 1.) Not normally stocked. Consult factory for availability
- 2.) Prefix "Tr" in column d2 indicates trapezoidal threads having an angle of 30°.
- 3.) Above used with AH-3900 series withdrawal sleeves

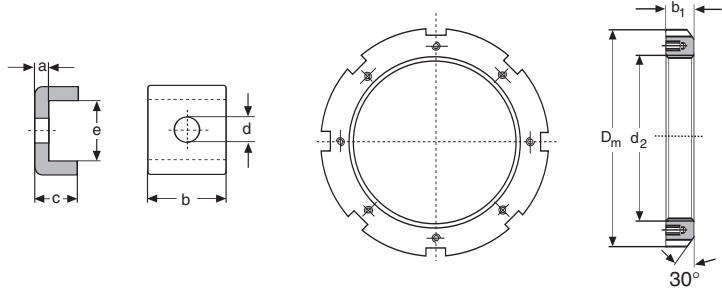


WITHDRAWAL NUTS - METRIC

Consolidated No.	Dimensions (Metric)	Approx. Wgt. (lbs.)	Interchange		
			FAG SKF		
d2 x Pitch	Dm	b1			
HM-42 T	Tr 210x4	270	30	10.500	HM 42 T
HM-44 T	Tr 220x4	280	32	11.800	HM 44 T
HM-46 T	Tr 230x4	290	34	12.800	HM 46 T
HM-48 T	Tr 240x4	300	34	13.700	HM 48 T
HM-50 T	Tr 250x4	320	35	15.400	HM 50 T
HM-52 T	Tr 260x4	330	35	18.500	HM 52 T
HM-54 T	Tr 270x4	340	36	20.300	HM 54 T
HM-56 T	Tr 280x4	350	36	21.200	HM 56 T
HM-58 T	Tr 290x4	365	36	22.700	HM 58 T
HM-60 T	Tr 300x4	370	36	22.700	HM 60 T
HM-62 T	Tr 310x5	380	36	22.700	HM 62 T
HM-64 T	Tr 320x5	400	40	26.500	HM 64 T
HM-66 T	Tr 330x5	410	40	30.400	HM 66 T
HM-68 T	Tr 340x5	420	42	32.200	HM 68 T
HM-70 T	Tr 350x5	430	42	34.000	HM 70 T
HM-72 T	Tr 360x5	440	45	36.400	HM 72 T
HM-74 T	Tr 370x5	450	45	38.400	HM 74 T
HM-76 T	Tr 380x5	470	45	44.500	HM 76 T
HM-80 T	Tr 400x5	500	46	52.500	HM 80 T
HM-84 T	Tr 420x5	520	49	58.400	HM 84 T
HM-88 T	Tr 440x5	540	51	63.500	HM 88 T
HM-92 T	Tr 460x5	550	53	63.500	HM 92 T
HM-96 T	Tr 480x5	590	56	82.700	HM 96 T
HM-102 T	Tr 510x6	620	58	90.800	HM 102 T
HM-106 T	Tr 530x6	640	60	97.500	HM 106 T
HM-110 T	Tr 550x6	670	63	118.000	HM 110 T
HML-41 T	Tr 205x4	250	30	7.560	HML 41 T
HML-43 T	Tr 215x4	260	30	8.200	HML 43 T
HML-47 T	Tr 235x4	280	30	9.460	HML 47 T
HML-52 T	Tr 260x4	310	30	11.400	HML 52 T
HML-56 T	Tr 280x4	330	30	12.100	HML 56 T
HML-60 T	Tr 300x4	360	31	16.000	HML 60 T
HML-64 T	Tr 320x5	380	32	17.600	HML 64 T
HML-69 T	Tr 345x5	410	33	21.000	HML 69 T
HML-73 T	Tr 365x5	430	35	23.600	HML 73 T
HML-77 T	Tr 385x5	450	37	26.000	HML 77 T
HML-82 T	Tr 410x5	480	39	31.500	HML 82 T
HML-86 T	Tr 430x5	500	41	34.800	HML 86 T
HML-90 T	Tr 450x5	520	41	35.900	HML 90 T
HML-94 T	Tr 470x5	540	43	40.300	HML 94 T
HML-98 T	Tr 490x5	570	45	49.600	HML 98 T
HML-104 T	Tr 520x6	600	47	55.800	HML 104 T
HML-108 T	Tr 540x6	620	49	59.500	HML 108 T

NOTE:

1.) Prefix "Tr" in column d2 indicates trapezoidal threads having an angle of 30°.



LOCKNUTS COMPLETE WITH LOCKING CLAMP - METRIC

Consolidated No.	Dimensions (Metric)								Approx. Wgt. (lbs.)	Appropriate Hexagonal Bolt	Interchange FAG SKF
	d2 x Pitch	Dm	b1	a	b	c	d	e			
HMS-3044	Tr 220x4	260	30	4	20	12	7	13.5	6.860	M 6x12	HM-3044 + MS-3044
HMS-3048	Tr 240x4	290	34	4	20	12	9	17.5	11.460	M 8x18	HM-3048 + MS-3048
HMS-3052	Tr 260x4	310	34	4	20	12	9	17.5	12.560	M 8x18	HM-3052 + MS-3048
HMS-3056	Tr 280x4	330	38	4	24	12	9	17.5	14.970	M 8x18	HM-3056 + MS-3056
HMS-3060	Tr 300x4	360	42	4	24	12	9	20.5	21.270	M 8x18	HM-3060 + MS-3060
HMS-3064	Tr 320x5	380	42	5	24	15	9	21	22.010	M 8x18	HM-3064 + MS-3064
HMS-3068	Tr 340x5	400	45	5	24	15	9	21	25.910	M 8x18	HM-3068 + MS-3064
HMS-3072	Tr 360x5	420	45	5	28	15	9	20	26.620	M 8x18	HM-3072 + MS-3072
HMS-3076	Tr 380x5	450	48	5	28	15	12	24	33.020	M 10x20	HM-3076 + MS-3076
HMS-3080	Tr 400x5	470	52	5	28	15	12	24	37.420	M 10x20	HM-3080 + MS-3076
HMS-3084	Tr 420x5	490	52	5	32	15	12	24	38.540	M 10x20	HM-3084 + MS-3084
HMS-3088	Tr 440x5	520	60	5	32	15	14	28	57.950	M 12x25	HM-3088 + MS-3088
HMS-3092	Tr 460x5	540	60	5	32	15	14	28	59.650	M 12x25	HM-3092 + MS-3088
HMS-3096	Tr 480x5	560	60	5	36	15	14	28	62.570	M 12x25	HM-3096 + MS-3096
HMS-30/500	Tr 500x5	580	68	5	36	15	14	28	74.270	M 12x25	HM-30/500 + MS-3096

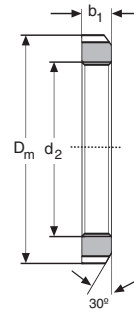
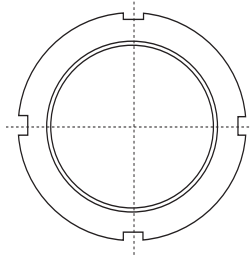
NOTE:

1.) The above are used with H-3044 x 200mm, H-3944 x 200mm and larger adapters

HMS-3144	Tr 220x4	280	32	4	20	12	9	22.5	12.280	M 8x18	HM-3144 + MS-3144
HMS-3148	Tr 240x4	300	34	4	20	12	9	22.5	13.880	M 8x18	HM-3148 + MS-3144
HMS-3152	Tr 260x4	330	36	4	24	12	12	25.5	18.920	M 10x20	HM-3152 + MS-3152
HMS-3156	Tr 280x4	350	36	4	24	12	12	25.5	21.160	M 10x20	HM-3156 + MS-3152
HMS-3160	Tr 300x4	380	40	4	24	12	12	30.5	25.890	M 10x20	HM-3160 + MS-3160
HMS-3164	Tr 320x5	400	42	5	24	15	12	31	28.820	M 10x20	HM-3164 + MS-3164
HMS-3168	Tr 340x5	440	55	5	28	15	14	38	50.850	M 12x25	HM-3168 + MS-3168
HMS-3172	Tr 360x5	460	58	5	28	15	14	38	55.250	M 12x25	HM-3172 + MS-3172
HMS-3176	Tr 380x5	490	60	5	32	15	14	40	68.070	M 12x25	HM-3176 + MS-3176
HMS-3180	Tr 400x5	520	62	5	32	15	18	45	81.090	M 16x30	HM-3180 + MS-3180
HMS-3184	Tr 420x5	540	70	5	32	15	18	45	95.690	M 16x30	HM-3184 + MS-3180
HMS-3188	Tr 440x5	560	70	5	36	15	18	43	99.600	M 16x30	HM-3188 + MS-3188
HMS-3192	Tr 460x5	580	75	5	36	15	18	43	111.200	M 16x30	HM-3192 + MS-3188

NOTE:

1.) The above are used with H-3160 x 280mm, H-3260 x 260mm, and larger adapters
 2.) Prefix "Tr" in column d2 indicates trapezoidal threads having an angle of 30°.



LOCKNUTS - INCH

Consolidated
No.

Dimensions
(Inch)

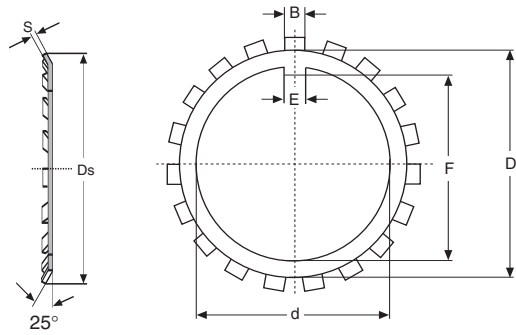
Approx.
Wgt.
(lbs.)

Interchange

	d2	Threads Per Inch	Dm	b1		Interchange	
						SKF	Torrington
N-00	.3910	32	.7550	.2290	.020	N 00	-
N-01	.4690	32	.8800	.3230	.040	N 01	-
N-02	.5860	32	1.0050	.3230	.040	N 02	-
N-03	.6640	32	1.1300	.3540	.060	N 03	-
N-04	.7810	32	1.3800	.3850	.090	N 04	-
N-05	.9690	32	1.5680	.4160	.120	N 05	-
N-06	1.1730	18	1.7550	.4160	.130	N 06	-
N-07	1.3760	18	2.0680	.4480	.210	N 07	N 07
N-08	1.5630	18	2.2550	.4480	.230	N 08	N 08
N-09	1.7670	18	2.5360	.4480	.290	N 09	N 09
N-10	1.9670	18	2.6930	.5100	.340	N 10	N 10
N-11	2.1570	18	2.9740	.5100	.420	N 11	N 11
N-12	2.3600	18	3.1610	.5410	.470	N 12	N 12
N-13	2.5480	18	3.3800	.5730	.550	N 13	N 13
N-14	2.7510	18	3.6300	.5730	.640	N 14	N 14
AN-15	2.9330	12	3.8800	.6040	.790	AN 15	AN 15
AN-16	3.1370	12	4.1610	.6040	.930	AN 16	AN 16
AN-17	3.3400	12	4.4110	.6350	1.040	AN 17	AN 17
AN-18	3.5270	12	4.6610	.6980	1.300	AN 18	AN 18
AN-19	3.7300	12	4.9430	.7290	1.540	AN 19	AN 19
AN-20	3.9180	12	5.1930	.7600	1.790	AN 20	AN 20
AN-21	4.1220	12	5.4430	.7600	1.940	AN 21	AN 21
AN-22	4.3250	12	5.7240	.7910	2.230	AN 22	AN 22
AN-24	4.7160	12	6.1300	.8230	2.550	AN 24	AN 24
AN-26	5.1060	12	6.7550	.8850	3.170	AN 26	AN 26
AN-28	5.4970	12	7.0990	.9480	3.550	AN 28	AN 28
AN-30	5.8880	12	7.6930	.9790	4.750	AN 30	AN 30
AN-32	6.2840	8	8.0680	1.0410	5.250	AN 32	AN 32
AN-34	6.6590	8	8.6610	1.0730	6.630	AN 34	AN 34
AN-36	7.0660	8	9.0680	1.1040	6.650	AN 36	AN 36
AN-38	7.4720	8	9.4740	1.1350	7.750	AN 38	AN 38
AN-40	7.8470	8	9.8490	1.1980	8.500	AN 40	AN 40
N-44	8.6280	8	11.0050	1.2600	10.500	N 44	N 44
N-048	9.4420	6	11.4430	1.3540	11.110	N 048	N 048
N-052	10.1920	6	12.1930	1.4160	13.400	N 052	N 052
N-056	11.0040	6	13.0050	1.5100	15.200	N 056	N 056
N-060	11.7850	6	14.1930	1.5730	20.300	N 060	N 060
N-064	12.5620	6	15.0050	1.6660	23.700	N 064	N 064
N-068	13.3390	5	15.7550	1.7910	26.400	N 068	N 068
N-072	14.1700	5	16.5050	1.7910	28.960	N 072	N 072
N-076	14.9570	5	17.7550	1.9160	39.300	N 076	N 076
N-080	15.7450	5	18.5050	2.0730	43.560	N 080	N 080
N-084	16.5320	5	19.3180	2.0730	47.680	N 084	N 084
N-088	17.3190	5	20.5050	2.3850	64.140	N 088	N 088
N-092	18.1070	5	21.2550	2.3850	65.450	N 092	N 092
N-096	18.8940	5	22.0680	2.3850	69.400	N 096	N 096

NOTE:

1.) N-00 - AN-40 has a 50° chamfer N-44 - N-096 has a 30° chamfer



LOCKWASHERS - METRIC

Consolidated No.	Dimensions (Metric)							Approx. Wgt. (lbs.)	Interchange FAG SKF STEYR
	d	D	Ds	S	E	F	B		
MB-0	10	13.5	21	1	3	8.5	3	.010	MB-0
MB-1	12	17	25	1.2	3	10.5	3	.010	MB-1
MB-2	15	21	28	1.2	4	13.5	4	.010	MB-2
MB-3	17	24	32	1.2	4	15.5	4	.010	MB-3
MB-4	20	26	36	1.2	4	18.5	4	.010	MB-4
MB-5	25	32	42	1.8	5	23	5	.010	MB-5
MB-6	30	38	49	1.8	5	27.5	5	.020	MB-6
MB-7	35	44	57	1.8	6	32.5	5	.020	MB-7
MB-8	40	50	62	1.8	6	37.5	6	.030	MB-8
MB-9	45	56	69	1.8	6	42.5	6	.030	MB-9
MB-10	50	61	74	1.8	6	47.5	6	.040	MB-10
MB-11	55	67	81	2.5	8	52.5	7	.040	MB-11
MB-12	60	73	86	2.5	8	57.5	7	.060	MB-12
MB-13	65	79	92	2.5	8	62.5	7	.060	MB-13
MB-14	70	85	98	2.5	8	66.5	8	.070	MB-14
MB-15	75	90	104	2.5	8	71.5	8	.080	MB-15
MB-16	80	95	112	2.5	10	76.5	8	.100	MB-16
MB-17	85	102	119	2.5	10	81.5	8	.120	MB-17
MB-18	90	108	126	2.5	10	86.5	10	.140	MB-18
MB-19	95	113	133	2.5	10	91.5	10	.150	MB-19
MB-20	100	120	142	2.5	12	96.5	10	.170	MB-20
MB-21	105	126	145	1.75	12	100.5	12	.180	MB-21
MB-22	110	133	154	1.75	12	105.5	12	.210	MB-22
MB-23	115	137	155	2	12	110.5	12	.240	MB-23
MB-24	120	138	160	2	14	115	12	.230	MB-24
MB-25	125	148	165	2	14	120	12	.260	MB-25
MB-26	130	149	170	2	14	125	12	.250	MB-26
MB-27	135	160	180	2	14	130	14	.320	MB-27
MB-28	140	160	185	2	16	135	14	.310	MB-28
MB-29	145	172	202	2	16	140	14	.370	MB-29
MB-30	150	171	200	2	16	145	14	.340	MB-30
MB-31	155	182	212	2.5	16	147.5	16	.460	MB-31
MB-32	160	182	215	2.5	18	154	16	.490	MB-32
MB-33	165	193	222	2.5	18	157.5	16	.530	MB-33
MB-34	170	193	225	2.5	18	164	16	.550	MB-34
MB-36	180	203	235	2.5	20	174	18	.590	MB-36
MB-38	190	214	245	2.5	20	184	18	.610	MB-38
MB-40	200	226	255	2.5	20	194	18	.650	MB-40
MB-44	220	250	292	3	24	213	20	.880	MB-44
MB-48	240	270	312	3	24	233	20	.880	MB-48
MB-52	260	300	342	3	28	253	24	1.320	MB-52
MB-56	280	320	362	3	28	273	24	1.360	MB-56
MBL-24	120	135	148	2	14	112.5	12	.170	MBL-24
MBL-26	130	145	158	2	14	122.5	12	.190	MBL-26
MBL-28	140	155	170	2	16	132.5	12	.240	MBL-28
MBL-30	150	170	180	2	16	142.5	14	.250	MBL-30
MBL-32	160	180	190	2.5	18	152.5	14	.360	MBL-32
MBL-34	170	190	209	2.5	18	162.5	16	.370	MBL-34
MBL-36	180	200	215	2.5	20	172.5	16	.400	MBL-36
MBL-38	190	210	228	2.5	20	182.5	16	.450	MBL-38
MBL-40	200	222	248	2.5	20	192.5	18	.470	MBL-40

NOTE:
1.) The MBL ..Lockwashers are used with H-3900 and H-3000 series adapters



Our Service Is...

Making our products readily available to you through a nationwide system of warehouses and sales offices. **Consolidated** is ready to fulfill your daily or long term requirements for bearings and related products. We offer the following:

Same Day Shipping Service - All orders that can be filled are shipped the same day they are received.

Emergency Shipment Service – Our staff is available to serve your requirements 24 hours a day, throughout the year including holidays. Emergency phone numbers are listed in our current price schedule.

Overseas Air Service – If stock is available, **Consolidated** will arrange airfreight shipments from our overseas suppliers. Shipments are normally delivered within 10 days.

Direct Phone Order Service – Your calls reach our order desks directly. No voice mail and no delays. WATS numbers for all warehouse locations are listed on the back page of our current price schedule.

Stock Availability Service – With our computerized inventory control system, we can provide you with an immediate answer concerning stock availability from all of our nine (9) warehouse locations. For items not available, precise delivery dates can usually be given.

Technical Service – Our engineering staff can provide you with up-to-date technical information regarding all types of bearing applications.

24-Hour Fax Service – Fax numbers for all warehouse locations are indicated on the back page of our current price schedule.

Bearing Modification Service – Our Cedar Knolls facility is equipped to modify cylindrical roller and needle bearings to various internal clearances – C/3, C/4, W/23, C/5 or custom clearances to meet your special requirements.