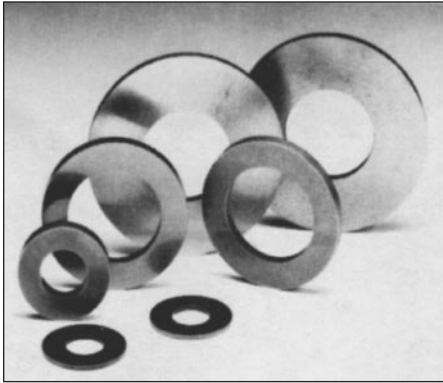


THRUST WASHERS

STEEL AND STAINLESS STEEL



HARDENED AND GROUND STEEL BORE SIZES FROM 3/16" TO 2"
 STAINLESS STEEL BORE SIZES FROM 3/16" TO 1/2"

ALL DIMENSIONS IN INCHES
 ORDER BY CATALOG NUMBER OR ITEM CODE

STANDARD TOLERANCES

Dimensions		Tolerance
Bore	06700 Series	+ .0015 - .007
	18000 Series	+ .002 + .007
O.D.	06700 Series	+ .000 - .005
	18000 Series	± .030
Thickness	All	+ .000 - .005

Bore	Outside Diameter	Thick-ness	Catalog Number
HARDENED STEEL			
3/16	9/32	1/16	18800
		3/32	18802
	3/8	1/16	18804
		3/32	18806
7/16	1/16	06724*	
	1/16	18808	
1/4	1/2	3/32	18810
		1/16	06726*
5/16	5/8	5/64	06728*
		1/16	18812
		1/8	18814
3/8	5/8	1/16	18816
		1/8	18818
7/16	7/8	1/16	18820
		5/32	18822
1/2	3/4	1/16	18824
		1/8	18826
	1-1/8	1/16	18828
		5/32	18830
1-1/4	3/16	18832	
	9/16	1-3/8	18834
3/16		18836	
5/8	25/32	1/16	18838
		1/8	18840
	1-1/4	3/32	18842
		3/16	18844
	1-3/8	3/16	18846
	1-1/2	3/32	18848
3/16		18850	
3/4	1	3/32	18852
	1	3/32	18854
	1-5/16	3/32	18856
		3/16	18858
	1-5/8	1/8	18860
		3/16	18862
1-3/4	3/16	18864	
2	3/16	18866	

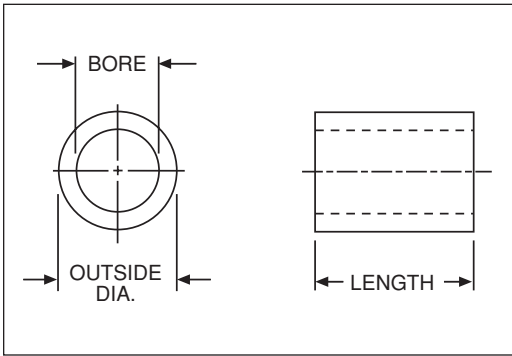
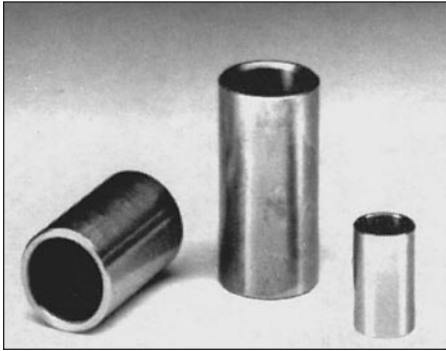
Bore	Outside Diameter	Thick-ness	Catalog Number
HARDENED STEEL			
7/8	1-3/16	3/32	18868
		1/8	18870
	2	3/16	18872
		3/16	18874
7/16	13/16	3/32	06732*
1	1-9/16	1/8	18876
		3/16	18878
	2	1/8	18880
		3/16	18882
2-1/4	9/64	18884	
	3/16	18886	
2-1/2	1/4	18888	
1-1/16	2-1/2	1/4	18890
1-1/8	2-1/2	1/4	18894
1-3/16	2	3/16	18896
1-1/4	2	9/64	18898
		3/16	18922
	2-7/16	9/64	18900
		1/4	18924
2-3/4	9/64	18902	
3	1/4	18904	
1-5/16	2-3/4	1/4	18906
1-3/8	3	5/32	18908
		1/4	18910
1-1/2	3	5/32	18912
		1/4	18914
3-1/4	1/8	18916	
	2	4	5/32
5/16		18920	
STAINLESS STEEL†			
3/16	7/16	1/16	06760
1/4	9/16	1/16	06762
5/16	5/8	5/64	06764
3/8	11/16	3/32	06766
1/2	7/8	1/8	06770

*These washers also listed with AO Bearings.

†These washers also listed with SAO Bearings.

BUSHINGS

SOFT STEEL



BORE SIZES FROM 3/16" TO 1-1/4"

MULTI-PURPOSE BUSHINGS suitable for use as hole reducers, spacers, standoffs or slip bushings.

ADAPTABLE FOR OTHER USES including wear sleeves, liners or cutting arbor studs.

ALL DIMENSIONS IN INCHES ORDER BY CATALOG NUMBER

Bore	Outside Diameter	Thick-ness	Catalog Number
3/16	1/4	5/8	18510
	5/16		18512
	3/8		18516
1/4	5/16	5/8	18514
	3/8		18518
	1/2	3/4	18522
5/16	1/2	1	18524
		3/8	18520
	3/4	18526	
3/8	1/2	1	18528
		5/8	18530
	3/4	1	18532
7/16	5/8	3/4	18534
		1-1/4	18536
	1-1/4	18538	
1/2	5/8	3/4	18540
		1-1/4	18542
	1	18544	
5/8	3/4	1-1/4	18546
		1	18554
	1	18556	
3/4	3/4	1	18560
		1-1/4	18562
	1-1/4	18566	
7/8	1	1-1/4	18568
		1-1/2	18574
	1-3/8	2	18626
1	1-1/2	1-1/2	18606
		1-1/2	18576
	2	18596	
1-1/8	1-3/8	2	18602
		2	18622
	2	18598	
1-1/4	1-3/8	2	18604
		1-1/2	18614
	2	3	18624

STANDARD TOLERANCES

Dimensions		Tolerance
BORE	All	± .0005
O.D.	Up to 1-1/4	+ .0005 +.0015
	Over 1-1/4	+ .001 +.002
LENGTH	Up to 1"	+ .000 - .007
	Over 1"	+ .000 - .010