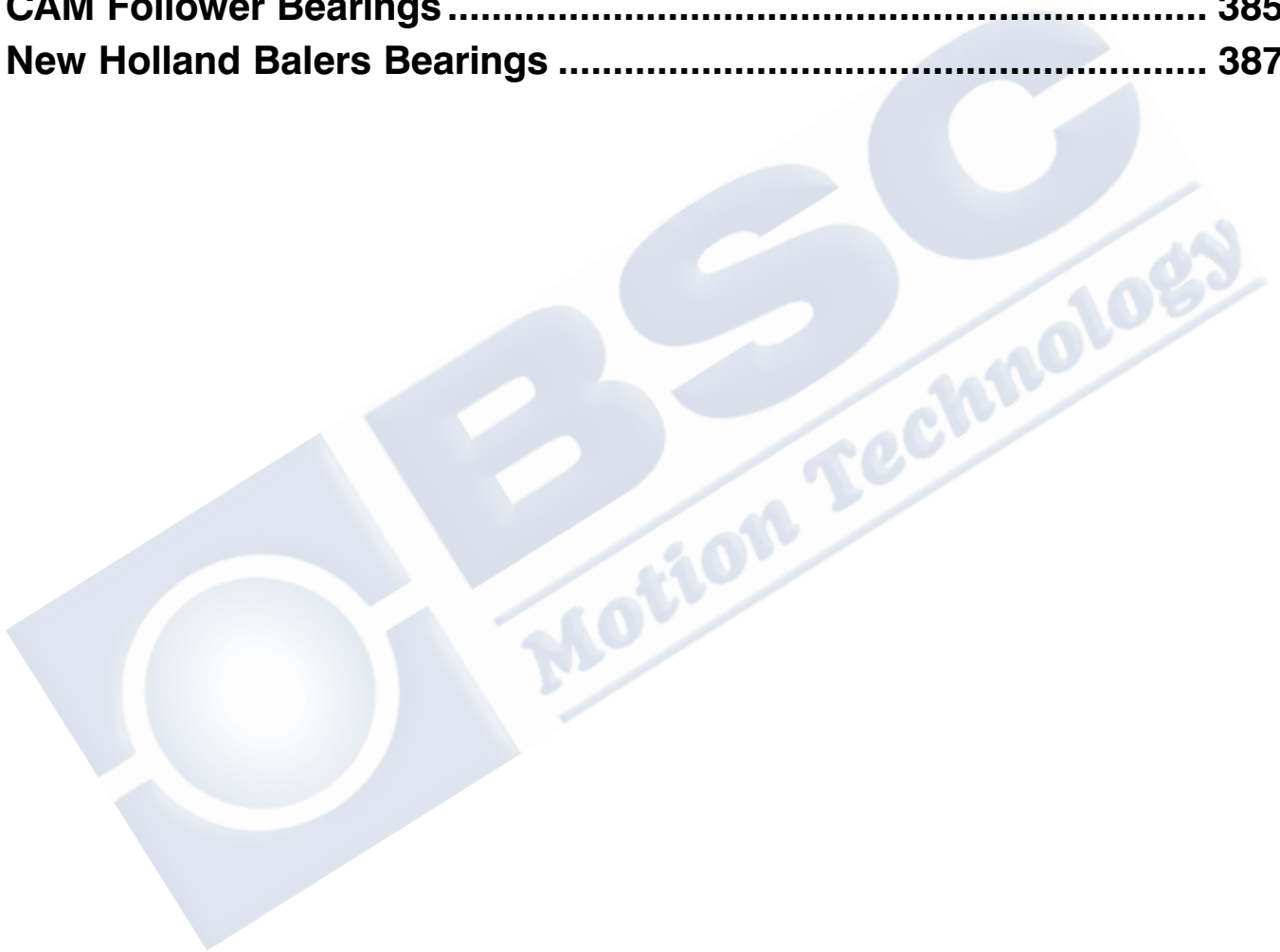


Agricultural Bearings

Wide Inner Ring	368
Disc Harrow Bearings	375
Tri-Ply Seal Series	375
Hex Bore Series	378
Plough Bearings	379
Ball Bearings	381
Metric	381
Imperial	384
CAM Follower Bearings	385
New Holland Balers Bearings	387



Wide Inner Ring Ball Bearings

Prefixes:

Basic Series and Additional Features

C	concentric collar
E	metric bore
G	relubricatable
1	standard series (200 series bearings)
L	light series
N	heavy series (300 series bearings)
RA	extended inner ring, one side only
SM	standard series (open type bearings)
SMN	heavy series (open type bearings)
GY, ER, YA	setscrew locking device series
M	medium duty setscrew lock series

Suffixes:

Internal Construction

K	Conrad, non-filling
W	maximum capacity filling slot type

G1

103

K

RRB

Numbers:

Last three numbers indicate bore size -
first in inches, last two in sixteenths

015	15/16"
103	1 - 3/16"
203	2 - 3/16"
25	25mm (metric)
40	40mm (metric)

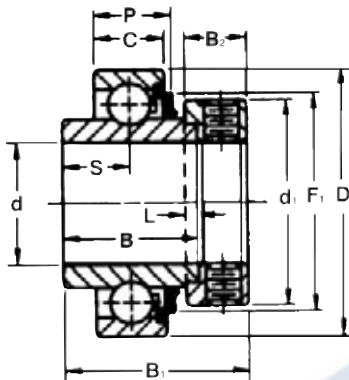
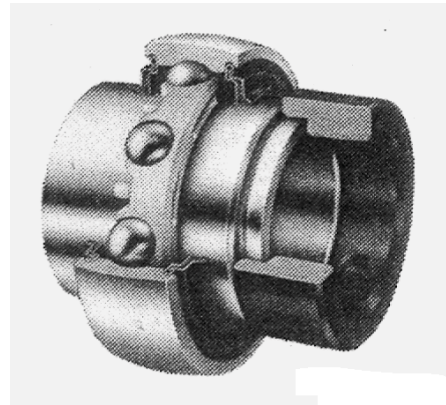
Additional Features

L	one Mechani-seal
LL	two Mechani-seals
PP	two seals
R	one land riding rubber seal
RR	two land riding rubber seals
B	spherical outside diameter
S	external self-aligning
PP2, 3, 4, etc.,	Tri-Ply seals (if preceded by K)
TDC	thin dense chrome plate
F	food grade grease

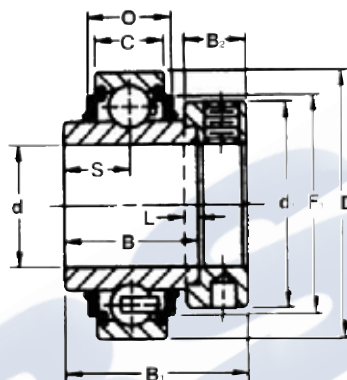
RR Series (Industrial)

The RR Series wide inner ring ball bearings are designed especially for extremely dirty or wet conditions. These bearings feature R-Seals with flared lips which firmly contact the ground O.D. of the inner ring to provide a positive seal against dust, dirt and other contaminants while effectively retaining the lubricant. RR Series bearings are equipped with Shroud-Seals which provide extra effectiveness and protection.

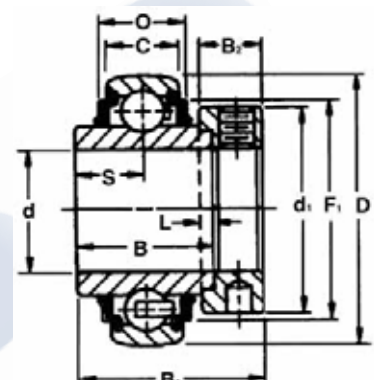
The extra wide design provides additional shaft support and extra grease capacity.



**KR One Seal
Cylindrical O.D.**



**KRR Two Seals
Cylindrical O.D.**



**KRRB Two Seals
Spherical O.D.**

NON-RELUBRICATABLE TYPES

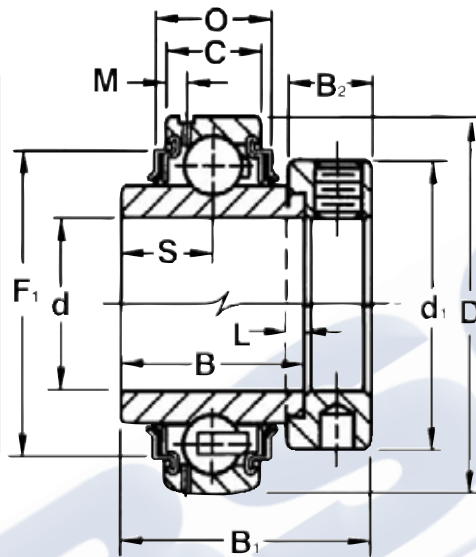
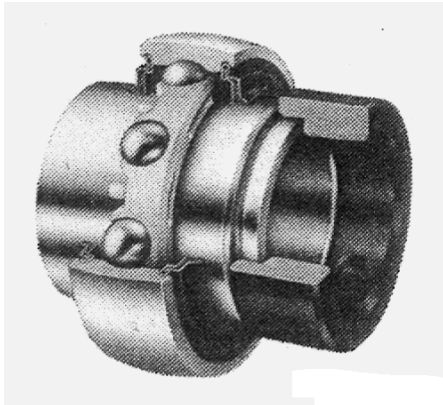
Part Number		d inch	D mm	Ring Widths		B1 mm
Cylindrical OD	Spherical OD			C mm	B mm	
1008KRR	1008KRRB	1/2"	40	12	27.78	37.3
1010KRR	1010KRRB	5/8"	40	12	27.78	37.3
1012KRR	1012KRRB	3/4"	47	14	34.13	43.7
1014KRR	1014KRRB	7/8"	52	15	34.92	44.4
1100KRR	1100KRRB	1"	52	15	34.92	44.4
1102KRR	1102KRRB	1-1/8"	62	16	36.51	48.4
1103KRR	1103KRRB	1-3/16"	62	16	36.51	48.4
1103KRR3	1103KRRB3	1-1/4"	62	16	36.51	48.4
1104KRR	1104KRRB	1-1/4"	72	17	37.70	51.2
1106KRR	1106KRRB	1-3/8"	72	17	37.70	51.2
1107KRR	1107KRRB	1-7/16"	72	17	37.70	51.2
1108KRR	1108KRRB	1-1/2"	80	18	42.86	56.4
1110KRR	1110KRRB	1-5/8"	85	19	42.86	56.4
1111KRR	1111KRRB	1-11/16"	85	19	42.86	56.4
1112KRR	1112KRRB	1-3/4"	85	19	42.86	56.4
1114KRR	1114KRRB	1-7/8"	90	20	49.21	62.7
1115KRR	1115KRRB	1-15/16"	90	20	49.21	62.7
1200KRR	1200KRRB	2"	100	21	55.56	71.4
1203KRR	1203KRRB	2-3/16"	100	21	55.56	71.4

G-KRR Series (Industrial)

The G-KRR Series wide inner ring ball bearings are the same as the RR Series and have a provision for relubrication. They are designed especially for extremely dirty or wet conditions. These bearings feature R-Seals with flared lips which firmly contact the ground O.D. of the inner ring to provide a positive seal against dust, dirt and other contaminants while effectively retaining the

lubricant. G-KRR Series bearings are equipped with Shroud-Seals which provide extra effectiveness and protection.

The extra wide design provides additional shaft support and extra grease capacity.



**G-KRR Two Seals
Cylindrical O.D.**

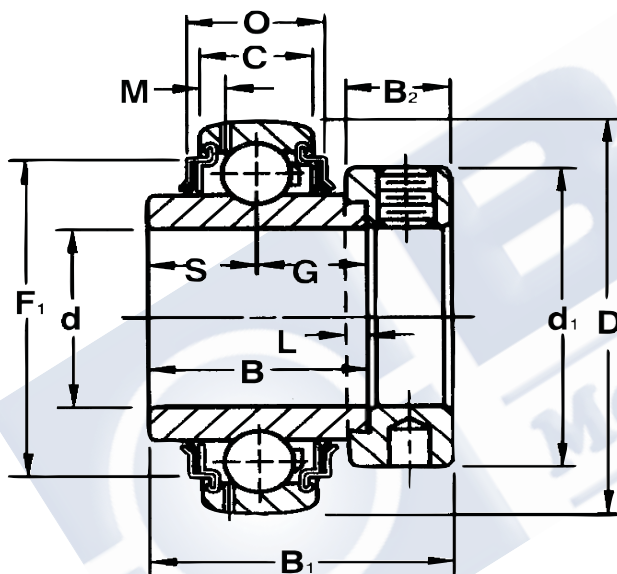
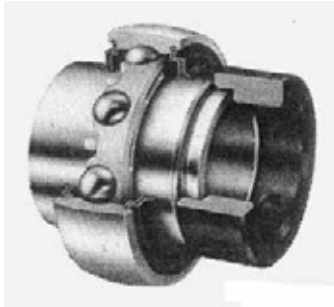
**G-KRRB Two Seals
Spherical O.D.**

RELUBRICATABLE TYPES

Part Number		d inch	D mm	Ring Widths		B1 mm
Cylindrical OD	Spherical OD			C mm	B mm	
-	G1008KRRB	1/2"	40	12	27.78	37.2
G1010KRR	G1010KRRB	5/8"	40	12	27.78	37.2
G1012KRR	G1012KRRB	3/4"	47	14	34.13	43.7
G1014KRR	G1014KRRB	7/8"	52	15	34.92	44.4
G1015KRR	G1015KRRB	15/16"	52	15	34.92	44.4
G1100KRR	G1100KRRB	1"	52	15	34.92	44.4
G1102KRR	G1102KRRB	1-1/8"	62	18	36.51	48.4
G1103KRR	G1103KRRB	1-3/16"	62	18	36.51	48.4
G1103KRR	G1103KRRB3	1-1/4"	62	18	36.51	48.4
G1104KRR	G1104KRRB	1-1/4"	72	19	37.70	51.2
G1106KRR	G1106KRRB	1-3/8"	72	19	37.70	51.2
G1107KRR	G1107KRRB	1-7/16"	72	19	37.70	51.2
G1108KRR	G1108KRRB	1-1/2"	80	21	42.86	56.4
G1110KRR	G1110KRRB	1-5/8"	85	22	42.86	56.4
G1111KRR	G1111KRRB	1-11/16"	85	22	42.86	56.4
G1112KRR	G1112KRRB	1-3/4"	85	22	42.86	56.4
-	G1114KRRB	1-7/8"	90	23	49.21	62.7
G1115KRR	G1115KRRB	1-15/16"	90	23	49.21	62.7
G1200KRR	G1200KRRB	2"	100	25	55.56	71.4
G1203KRR	G1203KRRB	2-3/16"	100	25	55.56	71.4

GN-KRRB Heavy Series

The heavy series R-Seal wide inner ring bearings are capable of withstanding continuous, heavy or shock loads. The GN-KRRB series has heavier section 300 series bearings, as well as a considerably thicker sealing member in the contact-type diaphragm seal. This design assures complete retention of the lubricant and positive exclusion of all contaminants. These bearings are especially effective at slow-to-moderate speeds under the severest of conditions of dirt and corrosion.



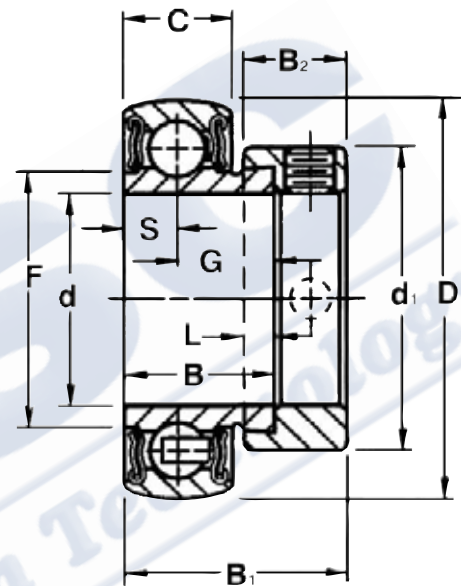
RELUBRICATABLE TYPES

Part Number	d inch	D mm	Ring Widths		B1 mm
			C mm	B mm	
GN103KRRB	1-3/16"	72	20	36.51	50.0
GN104KRRB	1-1/4"	80	22	38.10	51.6
GN106KRRB	1-3/8"	80	22	38.10	51.6
GN107KRRB	1-7/16"	80	22	38.10	51.6
GN108KRRB	1-1/2"	90	25	41.28	57.2
GN110KRRB	1-5/8"	100	27	42.86	58.7
GN111KRRB	1-11/16"	100	27	42.86	58.7
GN112KRRB	1-3/4"	100	27	42.86	58.7
GN114KRRB	1-7/8"	110	29	49.21	66.7
GN115KRRB	1-15/16"	110	29	49.21	66.7
GN203KRRB	2-3/16"	120	31	55.56	73.0

RAL-NPPB Extra Light Series

The RAL bearings are high quality, compact and low cost and intended for use in lightly loaded applications. They are of the extended ring type with self-locking collar. Prelubricated RAL bearings incorporate the Fafnir Shroud type rubber seal which has proved its effectiveness in the retention of lubricants and exclusion of foreign matter under extreme service conditions.

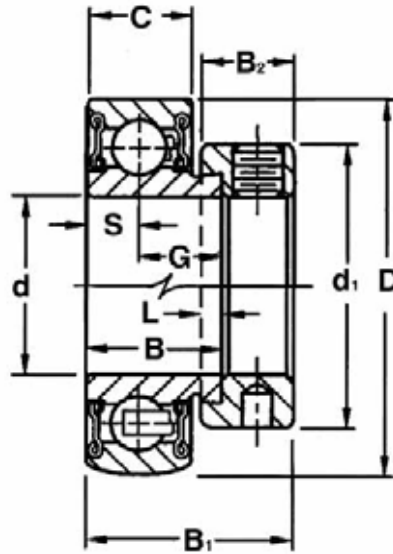
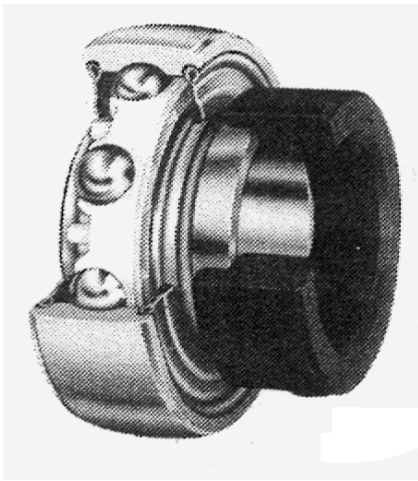
The RAL-NPPB Series have spherical outside diameters for use in housings with corresponding spherical inside surface to provide unrestricted initial self-alignment.



NON-RELUBRICATABLE TYPES

Part Number	d inch	D mm	Ring Widths		B1 mm
			C mm	B mm	
RAL010NPPB	5/8"	35	11	15.88	23.8
RAL012NPPB	3/4"	42	12	16.67	24.6
RAL100NPPB	1"	47	12	17.46	25.4
RAL103NPPB	1-3/16"	55	13	18.27	26.2

RA-RR, RA-RRB Series (Standard)



RA-RR Two Seals
Cylindrical O.D.

RA-RRB Two Seals
Spherical O.D.

The RA-RR Series bearings are extended inner ring type with self-locking collar. A positive contact, land riding R-seal provides improved protection against harmful contaminants and effectively retains the lubricant under severe operating conditions. A 6/6 molded nylon retainer has proven extremely effective under conditions of misalignment. RA-RR Series bearings are factory prelubricated.

The RA-RR Series has cylindrical outside diameters.

The RA-RRB Series has spherical outside diameters for use in housings with corresponding spherical inside surfaces to provide unrestricted initial alignment.

NON-RELUBRICATABLE TYPES

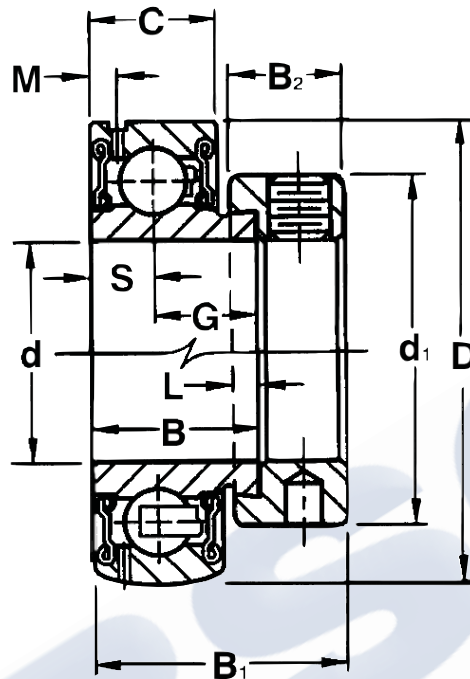
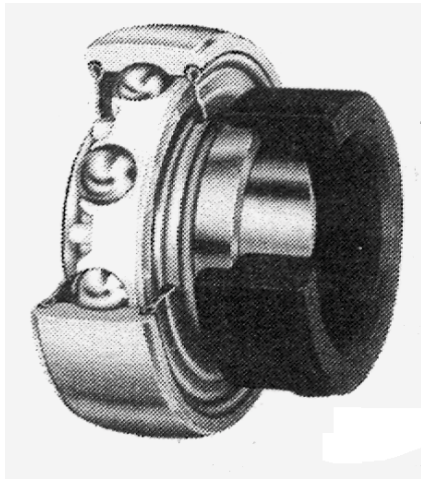
Part Number		d inch	D mm	Ring Widths		B1 mm
Cylindrical OD	Spherical OD			C mm	B mm	
RA008RR	RA008RRB	1/2	40	13	19.05	28.6
RA010RR	RA010RRB	5/8	40	13	19.05	28.6
RA012RR	RA012RRB	3/4	47	15	21.44	31.0
RA014RR	RA014RRB	7/8	52	15	21.44	31.0
RA015RR	RA015RRB	15/16	52	15	21.44	31.0
RA100RR	RA100RRB	1	52	15	21.44	31.0
RA101RR	RA101RRB	1-1/16	62	18	23.82	35.7
RA102RR	RA102RRB	1-1/8	62	18	23.82	35.7
RA103RR	RA103RRB	1-3/16	62	18	23.82	35.7
RA103RR2	RA103RRB2	1-1/4	62	18	23.82	35.7
RA104RR	RA104RRB	1-1/4	72	19	25.40	38.9
RA106RR	RA106RRB	1-3/8	72	19	25.40	38.9
RA107RR	RA107RRB	1-7/16	72	19	25.40	38.9
RA108RR	RA108RRB	1-1/2	80	22	30.18	43.7
RA111RR	RA111RRB	1-11/16	85	22	30.18	43.7
RA112RR	RA112RRB	1-3/4	85	22	30.18	43.7
RA115RR	RA115RRB	1-15/16	90	22	30.18	43.7
RA200RR	RA200RRB	2	100	24	32.54	48.4
RA203RR	RA203RRB	2-3/16	100	24	32.54	48.4

RELUBRICATABLE TYPES

Part Number		d mm	D mm	Ring Widths		B1 mm
Cylindrical OD	Spherical OD			C mm	B mm	
RAE20RR	RAE20RRB	20	47	15	21.44	31.0
RAE25RR	RAE25RRB	25	52	15	21.44	31.0
RAE30RR	RAE30RRB	30	62	18	23.82	35.7
RAE35RR	RAE35RRB	35	72	19	25.40	38.9
RAE40RR	RAE40RRB	40	80	22	30.18	43.7

GRA-RR, GRA-RRB Series (Standard)

The GRA-RR Series bearings are the same as the RA-RR series and have a provision for relubrication. GRA-RR series have a cylindrical outside diameters while GRA-RRB have spherical outside diameters.



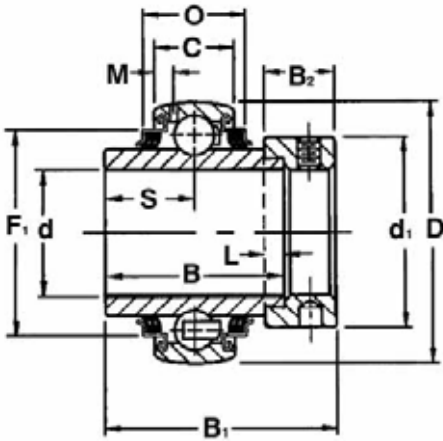
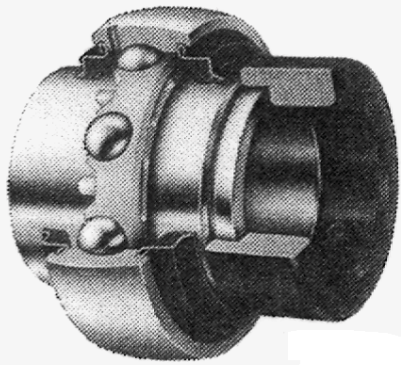
GRA-RR Two Seals
Cylindrical O.D.

GRA-RRB Two Seals
Spherical O.D.

RELUBRICATABLE TYPES

Part Number		d inch	D mm	Ring Widths		B1 mm
Cylindrical OD	Spherical OD			C mm	B mm	
GRA010RR	GRA010RRB	5/8"	40	13	19.05	28.6
GRA012RR	GRA012RRB	3/4"	47	15	21.44	31.0
GRA014RR	GRA014RRB	7/8"	52	15	21.44	31.0
GRA100RR	GRA100RRB	1"	52	15	21.44	31.0
GRA102RR	GRA102RRB	1-1/8"	62	18	23.83	35.7
GRA103RR	GRA103RRB	1-3/16"	62	18	23.83	35.7
GRA103RR	GRA103RRB2	1-1/4"	62	18	23.83	35.7
GRA104RR	GRA104RRB	1-1/4"	72	19	25.40	38.9
GRA106RR	GRA106RRB	1-3/8"	72	19	25.40	38.9
GRA107RR	GRA107RRB	1-7/16"	72	19	25.40	38.9
GRA108RR	GRA108RRB	1-1/2"	80	22	30.18	43.7
GRA111RR	GRA111RRB	1-11/16"	85	22	30.18	43.7
GRA112RR	GRA112RRB	1-3/4"	85	22	30.18	43.7
GRA115RR	GRA115RRB	1-15/16"	90	22	30.18	43.7
GRA200RR	GRA200RRB	2"	100	24	32.54	48.4

TRI-PLY Seal Series (Industrial)



The non-relubricatable Tri-Ply Seal bearings are dimensionally interchangeable with KRRB bearings and can be used with standard housings. The one piece Tri-Ply seals incorporate a highly effective seal design molded to an exterior shroud cap. The shroud cap protects the seal lip from fiber wrap and abrasion. These bearings, supplied with a self-locking collar, are most effective in environments of severe contamination and moisture.

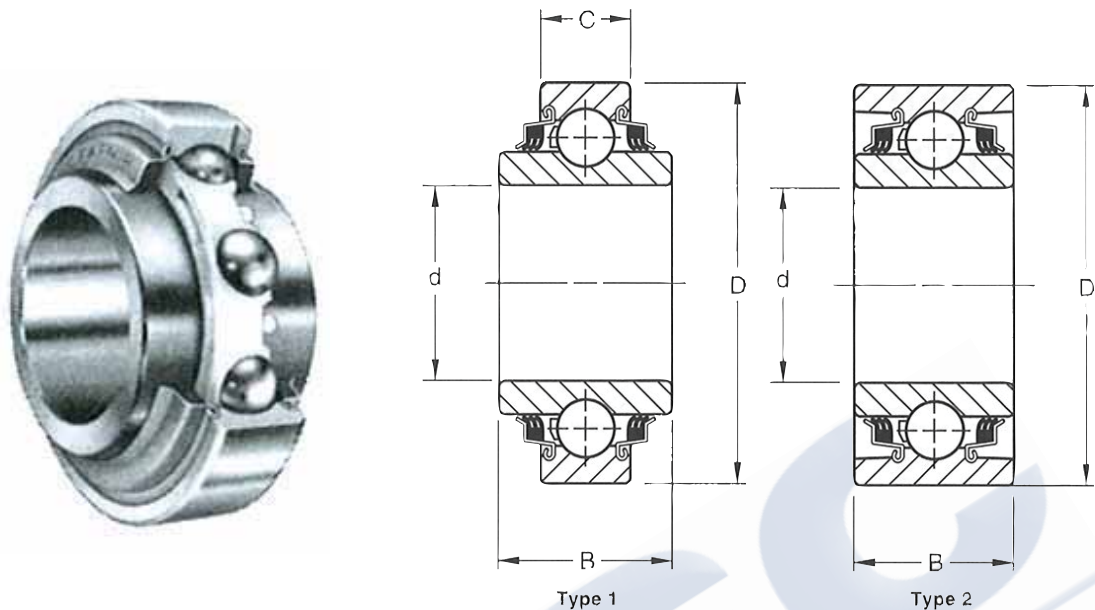
RELUBRICATABLE TYPES

Part Number		d inch	D mm	Ring Widths		B1 mm
Cylindrical OD	Spherical OD			C mm	B mm	
-	G1008KRRB	1/2"	40	12	27.78	37.2
G1010KRR	G1010KRRB	5/8"	40	12	27.78	37.2
G1012KRR	G1012KRRB	3/4"	47	14	34.13	43.7
G1014KRR	G1014KRRB	7/8"	52	15	34.92	44.4
G1015KRR	G1015KRRB	15/16"	52	15	34.92	44.4
G1100KRR	G1100KRRB	1"	52	15	34.92	44.4
G1102KRR	G1102KRRB	1-1/8"	62	18	36.51	48.4
G1103KRR	G1103KRRB	1-3/16"	62	18	36.51	48.4
G1103KRR	G1103KRRB3	1-1/4"	62	18	36.51	48.4
G1104KRR	G1104KRRB	1-1/4"	72	19	37.70	51.2
G1106KRR	G1106KRRB	1-3/8"	72	19	37.70	51.2
G1107KRR	G1107KRRB	1-7/16"	72	19	37.70	51.2
G1108KRR	G1108KRRB	1-1/2"	80	21	42.86	56.4
G1110KRR	G1110KRRB	1-5/8"	85	22	42.86	56.4
G1111KRR	G1111KRRB	1-11/16"	85	22	42.86	56.4
G1112KRR	G1112KRRB	1-3/4"	85	22	42.86	56.4
-	G1114KRRB	1-7/8"	90	23	49.21	62.7
G1115KRR	G1115KRRB	1-15/16"	90	23	49.21	62.7
G1200KRR	G1200KRRB	2"	100	25	55.56	71.4
G1203KRR	G1203KRRB	2-3/16"	100	25	55.56	71.4

NON-RELUBRICATABLE TYPES

Part Number		d inch	D mm	Ring Widths		B1 mm
Cylindrical OD	Spherical OD			C mm	B mm	
1008KRR	1008KRRB	1/2"	40	12	27.78	37.3
1010KRR	1010KRRB	5/8"	40	12	27.78	37.3
1012KRR	1012KRRB	3/4"	47	14	34.13	43.7
1014KRR	1014KRRB	7/8"	52	15	34.92	44.4
1100KRR	1100KRRB	1"	52	15	34.92	44.4
1102KRR	1102KRRB	1-1/8"	62	16	36.51	48.4
1103KRR	1103KRRB	1-3/16"	62	16	36.51	48.4
1103KRR3	1103KRRB3	1-1/4"	62	16	36.51	48.4
1104KRR	1104KRRB	1-1/4"	72	17	37.70	51.2
1106KRR	1106KRRB	1-3/8"	72	17	37.70	51.2
1107KRR	1107KRRB	1-7/16"	72	17	37.70	51.2
1108KRR	1108KRRB	1-1/2"	80	18	42.86	56.4
1110KRR	1110KRRB	1-5/8"	85	19	42.86	56.4
1111KRR	1111KRRB	1-11/16"	85	19	42.86	56.4
1112KRR	1112KRRB	1-3/4"	85	19	42.86	56.4
1114KRR	1114KRRB	1-7/8"	90	20	49.21	62.7
1115KRR	1115KRRB	1-15/16"	90	20	49.21	62.7
1200KRR	1200KRRB	2"	100	21	55.56	71.4
1203KRR	1203KRRB	2-3/16"	100	21	55.56	71.4

Cylindrical O.D. Non-Relubricatable Type



Tri-Ply Seal ball bearings are designed for environments where severe contamination is present such as agricultural tillage equipment. The new one-piece Tri-Ply Seals incorporate a highly effective seal design molded to an exterior shroud cap to provide exceptionally effective protection against the loss of lubricant and the entrance of wet or abrasive contaminants. A seven piece Tri-Ply construction is standard on certain sizes. The shroud cap nests closely with the outside seal and helps protect the rubber seal members from wrappage and abrasion.

A feature of these bearings is their balanced design identified by deep races, large balls and extra wide or heavy, shock-resistant inner and outer rings. The use of Tri-Ply Seal bearings simplifies housing designs, and their extra inner ring width provides greater support on the shaft.

Round Bore

Bearing Number	Type Fig.	d inch	d mm	D mm	Ring Width +.00-.13mm		Ball No.	Ball Size	Wt. kg.
					B Inner	C Outer			
W208PP10	1-1	1.5005	38.113	80	42.96	21.00	9	1/2	0.680
W210PP8	2-*	1.5300	38.860	90	30.18	30.18	10	1/2	0.894
W210PP2	2-*	1.9380	49.230	90	30.18	30.18	10	1/2	0.767
W211PP2	2-2	2.1880	55.580	100	33.34	33.34	10	9/16	1.056
W214PP2	2-*	2.7559	70.000	125	39.69	39.69	10	11/16	1.901
W215PP2	2-*	3.0056	76.342	160	68.26	68.26	8	1-1/16	5.956

* Seven piece seal construction.

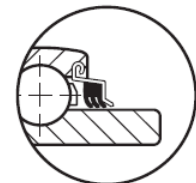


Figure 1



Figure 2

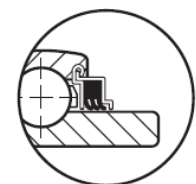


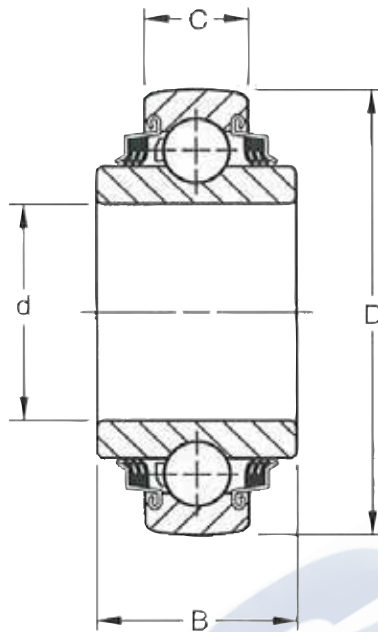
Figure 3

Square Bore

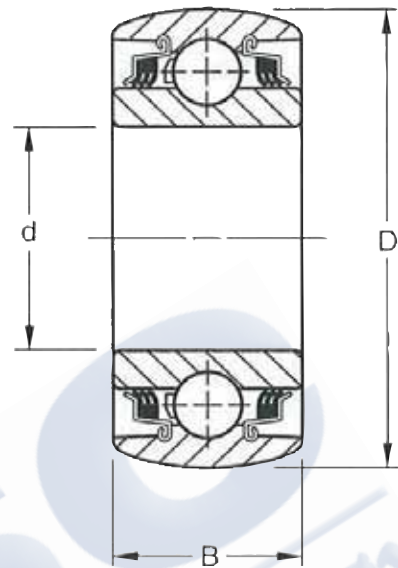
Bearing Number	Type Fig.	Shaft Size		D mm	Ring Width +.00-.13mm		Ball No.	Ball Size	Wt kg.
		inch	mm		B Inner	C Outer			
W208PP6	1-1	1	25.4	80.0	36.51	18.00	9	1/2	0.73
W208PP5	1-1	1-1/8	28.6	80.0	36.51	18.00	9	1/2	0.68
W208PP20	1-1	1-1/8	28.6	80.0	36.51	18.00	9	1/2	0.68
W208PP8	1-1	1-1/8	28.6	80.0	36.51	30.18	9	1/2	0.75
W211PP3	2-2	1-1/2	38.1	100.0	33.34	33.34	10	9/16	1.27
W211PP5	1-2	1-1/2	38.1	101.6	44.45	36.52	10	9/16	1.58

* Seven piece seal construction.

Spherical O.D. Non-Relubricatable Type



Type 1



Type 2

Round Bore

Bearing Number	Type Fig.	d inch	d mm	D mm	Ring Width +.00-.13mm		Balls No.	Stamp. Size	Wt kg
					B Inner	C Outer			
W208PPB7	1-1	1.1880	30.770	80	30.18	18	9	1/2 MS80	0.640
W208PPB2	1-*	1.5005	38.113	80	42.96	18	9	1/2 MS80	0.721
W208PPB23	1-1	1.5005	38.113	80	42.96	30.18	9	15/32 MS80	0.680
W209PPB2	2-2	1.7717	45.000	85	30.18	30.18	9	1/2 MS85	0.653
W209PPB4	2-2	1.5350	39.000	85	30.18	30.18	9	1/2 MS85	0.748
W210PPB2	2-*	1.9380	49.230	90	30.18	30.18	10	1/2 MS90	0.708
W210PPB5	2-*	1.7850	45.340	90	30.18	30.18	10	1/2 MS90	0.794
W211PPB2	2-2	2.1880	55.580	100	33.34	33.34	10	9/16 MS100	0.966
W214PPB2	2-*	2.7559	70.000	125	39.69	39.69	10	11/16	1.796
W214PPB9	1-*	2.7660	70.260	125	44.45	28.00	10	11/16	1.796

* Seven piece seal construction.

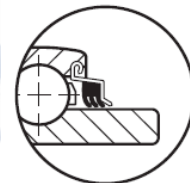


Figure 1

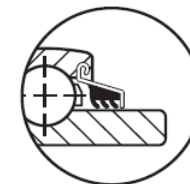


Figure 2

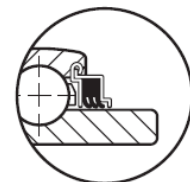


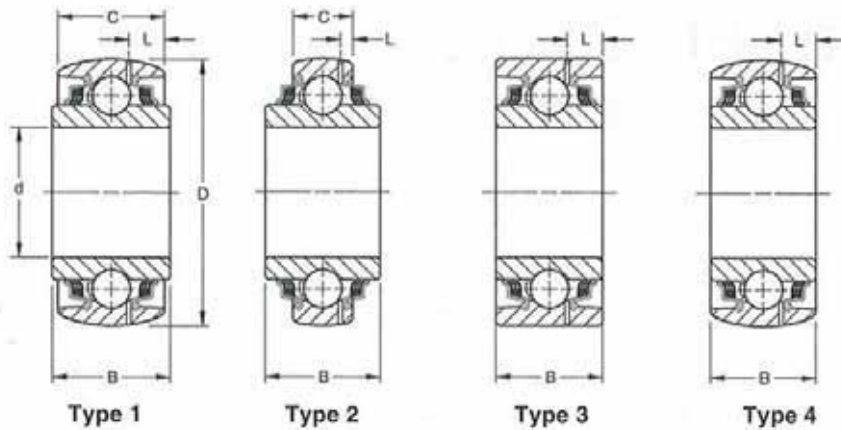
Figure 3

Square Bore

Bearing Number	Type Fig.	Shaft Size in.	D mm	Ring Width +.00-.13mm		Balls No.	Stamp. Size	Wt kg	
				B Inner	C Outer				
W208PPB13	1-1	7/8	22.2	80	36.53	18.00	9	1/2 MS80	0.735
W208PPB6	1-1	1	25.4	80	36.53	18.00	9	1/2 MS80	0.721
W208PPB5	1-1	1-1/8	28.6	80	36.53	18.00	9	1/2 MS80	0.667
W208PPB12	1-1	1-1/8	28.6	87	36.45	30.11	9	1/2 MS87	0.680
W209PPB5	1-2	1-1/4	31.8	85	36.53	30.18	9	1/2 MS85	0.794
W210PPB4	2-*	1-1/8	28.6	90	30.18	30.18	10	1/2 MS90	0.957
W210PPB6	1-*	1-1/8	28.6	90	36.53	30.18	10	1/2 MS90	1.021
W211PPB3	2-2	1-1/2	38.1	100	33.34	33.34	10	9/16 MS100	1.207

* Seven piece seal construction.

Relubricatable Type



These Tri-Ply Seal bearings are similar in design and features to those shown on the preceding four pages and have a provision for relubrication.

Round Bore

Bearing Number	Type Fig.	d inch	d mm	D mm	Ring Width		Balls No.	Size	Wt kg
					+ .00 B Inner	- .13mm C Outer			
GW209PPB4	4-2	1.5350	39.00	85	30.18	30.18	9	1/2	0.748
GW209PPB2	4-2	1.7717	45.00	85	30.18	30.18	9	1/2	0.653
GW209PPB11	2-2	1.7810	45.24	85	36.53	22.00	9	1/2	0.621
GW210PP3	3-*	1.4065	37.53	90	30.18	30.18	10	1/2	1.021
GW210PPB5	4-*	1.7850	45.34	90	30.18	30.18	10	1/2	0.794
GW210PPB2	4-*	1.9380	49.23	90	30.18	30.18	10	1/2	0.680
GW210PP9**	2-*	1.9450	49.40	90	36.53	23.00	10	1/2	0.794
GW211PPB13	2-2	1.7850	45.34	100	33.34	25.00	10	9/16	0.916
GW211PPB10	4-2	1.9380	49.23	100	33.34	33.34	10	9/16	1.025
GW211PPB14	2-2	2.0150	51.18	100	33.34	25.00	10	9/16	0.907
GW211PP2	3-2	2.1880	55.58	100	33.34	33.34	10	9/16	1.361
GW211PPB2	4-2	2.1880	55.58	100	33.34	33.34	10	9/16	1.188
GW211PPB8	2-2	2.1880	55.58	100	33.34	25.00	10	9/16	0.839
GW211PPB9	2-2	2.1950	55.75	100	39.69	25.00	10	9/16	0.916
GW214PPB6	2-*	2.6881	68.28	125	68.26	28.00	10	11/16	2.155
GW214PP2	3-*	2.7559	70.00	125	39.69	39.69	10	11/16	1.901
GW214PPB2	4-*	2.7559	70.00	125	39.69	39.69	10	11/16	1.796
GW214PPB5	1-*	2.7559	70.00	125	61.90	39.69	10	11/16	2.155
GW216PPB3	2-3	3.0100	76.45	140	63.50	30.00	11	23/32	-
GW216PP5	3-3	2.5150	63.88	140	63.50	30.00	11	23/32	-

* Seven piece seal construction.

** Cylindrical O.D.

Square Bore

Bearing Number	Type Fig.	Shaft Size		D mm	Ring Width		Balls No.	Size	Wt kg
		inch	mm		+ .00 B Inner	- .13mm C Outer			
GW208PPB6	2-1	1	25.4	80	36.53	21.00	9	1/2	0.794
GW208PPB5	2-1	1-1/8	28.6	80	36.53	21.00	9	1/2	0.667
GW208PPB8	1-1	1-1/8	28.6	80	36.53	30.18	9	1/2	0.794
GW208PPB17	3-1	1-1/8	28.6	85.738	36.53	30.18	9	1/2	0.925
GW209PPB5	1-2	1-1/4	31.8	85	36.53	30.18	9	1/2	0.794
GW209PPB8	2-2	1-1/4	31.8	85	36.53	22.00	9	1/2	0.748
GW210PP4	3-*	1-1/8	28.6	90	30.18	30.18	10	1/2	1.048
GW210PPB4	4-*	1-1/8	28.6	90	30.18	30.18	10	1/2	0.794
GW211PP3	3-2	1-1/2	38.1	100	33.34	33.34	10	9/16	1.266
GW211PPB3	4-2	1-1/2	38.1	100	33.34	33.34	10	9/16	1.207
GW211PP17	3-2	1-1/2	38.1	100	44.45	33.34	10	9/16	-
GW214PPB4	4-*	2	50.8	125	39.69	39.69	10	11/16	2.155
GW216PPB4	2-3	1-3/4	44.4	140	63.50	30.00	11	23/32	-
GW216PP2**	2-3	2-1/4	57.2	140	63.50	30.00	11	23/32	-
GW216PPB2	2-3	2-1/4	57.2	140	63.50	30.00	11	23/32	-

* Seven piece seal construction.

** Cylindrical O.D.

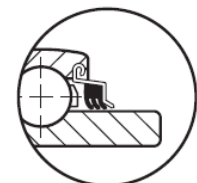


Figure 1



Figure 2

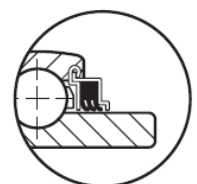
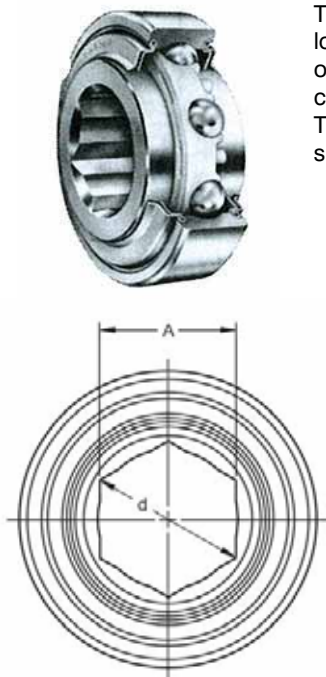
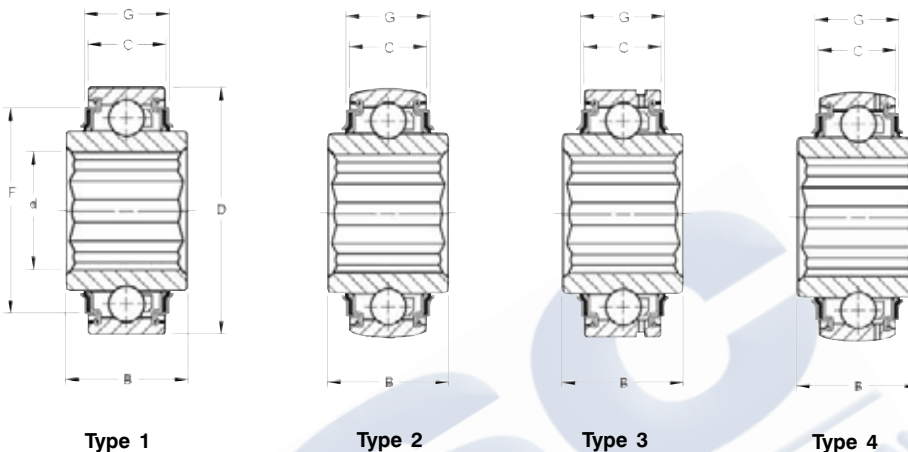


Figure 3

Relubricatable Type



This series is designed to be used either for outer or inner ring rotation in low speed, moderately loaded applications, primarily in agricultural implements and conveyors. The main advantage of these bearings is ease of mounting; except for end-wise positioning by adjacent parts, no collars, set screws, or other locking devices are required to lock the inner ring to the hex shaft. The tolerances of the hex bores in this series are suitable for mounting on cold rolled hex shafting. These bearings utilize the R type Shroud Seal.



Non-Relubricatable Type

Bearing Number	Type	Hex Shaft Size	Hex Bore		D	Width		F	G	Balls No.	Balls Size	Wt kg		
			A Across Flats in.	A Across Flats mm		d Across Corners in.	d Across Corners mm						+ .000-.43mm C Outer	B Inner
202KRR3	1	9/16	0.563	14.30	0.649	16.48	35	11.00	13.00		8	7/32	0.054	
204KRR2	1	11/16	0.695	17.65	0.797	20.24	47	14.00	20.96		8	5/16	0.145	
205KRR2	1	7/8	0.876	22.25	1.010	25.65	52	15.00	25.40		9	5/16	0.200	
205KRRB2	2	7/8	0.876	22.25	1.010	25.65	52	15.00	25.40		9	5/16	0.200	
205PPB13 ^	2	7/8	0.876	22.25	1.010	25.65	52	15.00	25.40	42.67	20.19	9	5/16	0.200
206KPP3 ^	1	1	1.001	25.43	1.152	29.26	62	16.00	24.00	52.07	19.56	9	3/8	0.345
206KPPB3 ^	2	1	1.001	25.43	1.152	29.26	62	16.00	24.00	52.07	19.56	9	3/8	0.345
206KRR6	1	1	1.001	25.43	1.152	29.26	62	16.00	24.00	52.07	19.56	9	3/8	0.340
206KRRB6	2	1	1.001	25.43	1.152	29.26	62	16.00	24.00	52.07	19.56	9	3/8	0.340
207KPP3	2	1-1/4	1.251	31.77	1.437	36.40	72	17.00	37.70	60.35	19.68	9	7/16	0.454
207KPPB3	1	1-1/4	1.251	31.77	1.433	36.40	72	17.00	25.00	60.35	19.68	9	7/16	0.395
207KRRB9	2	1-1/8	1.126	28.60	1.298	32.97	72	17.00	37.70	60.35	19.68	9	7/16	0.454
207KRRB12	2	1-1/8	1.126	28.60	1.298	32.97	72	17.00	25.00	60.35	19.68	9	7/16	0.395
W208PPB16 ^	2	1-1/4	1.251	31.77	1.443	36.65	80	18.00	36.50	68.43	25.27	9	1/2	0.658
W208KRRB6	2	1-3/8	1.376	34.95	1.587	40.20	80	21.00	36.51	60.35	23.54	9	1/2	
W208KRR8	2	1-1/4	1.251	31.77	1.443	36.65	80	18.00	36.50	68.43	20.45	9	1/2	0.658
209KRRB2	2	1-1/2	1.501	38.12	1.730	43.98	85	19.00	30.00	73.86	23.27	9	1/2	0.576
W210PPB7 ^	2	1-5/8	1.626	41.30	1.876	47.65	90	30.18	30.18			10	1/2	0.794

^ Tri-Ply Seal Bearing

Relubricatable Type

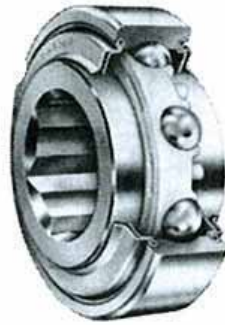
Bearing Number	Type	Hex Shaft Size	Hex Bore		D	Width		F	G	Balls No.	Balls Size	Wt kg		
			A Across Flats in.	A Across Flats mm		d Across Corners in.	d Across Corners mm						+ .000-.43mm C Outer	B Inner
G206KPP4 ^	3	1	1.001	25.43	1.152	29.26	62	18	24.00		9	3/8	0.281	
G206KPPB4 ^	4	1	1.001	25.43	1.152	29.26	62	18	24.00	52.07	19.56	9	3/8	0.277
G206KRRB6	4	1	1.001	25.43	1.152	29.26	62	18	24.00	52.07	19.56	9	3/8	0.268
G207KPPB2 ^		1-1/8	1.126	28.60	1.298	32.97	72	19	37.70	60.32	25.40	9	7/16	0.454
GW208KRRB5	4	1-1/4	1.251	31.77	1.443	36.65	80	21	36.51	60.35	22.43	9	1/2	0.635
GW208PPB22 ^	2	1-1/4	1.255	31.88	1.447	36.75	80	21	36.51	52.07	28.32	9	1/2	0.680
GC1200KPPB2 ^		1-3/4	1.751	44.48	2.020	51.31	100	25	57.15	86.11	29.01	10	9/16	1.520

^ Tri-Ply Seal bearing.

Agricultural Plough Bearings - Square Bore

Bore Size	O.D.	I.R Width	O.R. Width	BSC Fafnir	RHP	NTN	BCA	SKF	Koyo
FLAT O.D.									
1"	80 mm	36.51 mm	18 mm	W208PP6	2/DF240/8	5AS08-1	DC208TT6	RA200	4508A2TR16SC
1-1/8"	80 mm	36.51 mm	18 mm	W208PP5	2/DF240/9	5AS08-1-1/8	DC208TT5	YQN208108C5	4508A2TR18SC
1-1/8"	80 mm	36.51 mm	30.18 mm	W208PP8	PDF240/9	6AS08-1-1/8D	DC208TT8		4508B2TR18SC
1-1/8"	90 mm	30.18 mm	30.18 mm	W210PP4	PDF150/9	7AS10-1-1/8D1	DC210TT4		4510C2TR18SC
1-1/2"	80 mm	42.96 mm	21 mm	W208PP10	36/DF140/1-1/2	5AC08-1-1/2	DC208TT10		4508A2TR24RC
1-1/2"	90 mm	30.18 mm	30.18 mm	W210PP8					
1-1/2"	100 mm	33.34 mm	33.34 mm	W211PP3	PDF155/12	7AS11-1-1/2	DC211TT3	YQN211108C3	4511C2TR24SC
1-1/2"	100 mm	44.45 mm	33.34 mm	GW211PP17					
1-1/2"	4"	44.45 mm	36.52 mm	W211PP5		6AS11-1-1/2V1	DC211TT5		4511B2TR24SC
1-3/4"	100 mm	44.45 mm	33.34 mm	GW211PP25					
1-15/16"	90 mm	33.34 mm	33.34 mm	W210PP2	PDF150-1-15/16	7AC10-1-15/16V1	DC210TT2		4510C2TR31RC
1-15/16"	90 mm	49.2 mm	20 mm			5AC10-1-15/16			
1-15/16"	90 mm	36.53 mm	22.8 mm	GW210PP9					
2-3/16"	100 mm	33.34 mm	33.34 mm	W211PP2	PDF155-2-3/16	7AC11-2-3/16	DC211TT2		4511C2TR35RC
2-3/4"	125 mm	50.8 mm	39.69 mm	GW214PP11					
40 mm	100 mm	33.34 mm	33.34 mm	W211PP30	PDF155-12A	6E7AS11-1-19/32V1			
40 mm	4"	44.45 mm	36.52 mm	W211PP34	48/PDF255/12A				
70 mm	125 mm	39.69 mm	39.69 mm	W214PP2			DC214TT2		
SPHERICAL O.D.									
7/8"	80 mm	36.53 mm	22 mm	W208PPB11		4AS08-7/8	DS208TT11		4508B2TR14S
7/8"	80 mm	36.53 mm	18 mm	W208PPB13	2/DNF240/7	1AS08-7/8	DS208TT13		4508A2TR14S
1"	80 mm	36.53 mm	18 mm	W208PPB6	2/DNF240/8	1AS08-1	DS208TT6	YQN208100B6	4508A2TR16S
1-1/8"	80 mm	36.53 mm	18 mm	W208PPB5	2/DNF240/9	1AS08-1-1/8	DS208TT5	YQN208102B5	4508A2TR18S
1-1/8"	80 mm	36.53 mm	30.18 mm	W208PPB8	PDF240/9	2AS08-1-1/8	DS208TT8	YQN208102B8	4508B2TR18S
1-1/8"	87 mm	36.45 mm	30.11 mm	W208PPB12	41/PDNF240/9B	4AS08-1-1/8	DS208TT12A	YQN208102B12	4508B2TR18S-1
1-1/8"	85.738 mm	36.53 mm	30.18 mm	W208PPB17			DS208TT17		4508B2TR18RS
1-1/8"	90 mm	30.18 mm	30.18 mm	GW210PPB4	PDNF150/9G	3AS10-1-1/8G1	DS210TTR4		4510C2TR18S
1-1/8"	90 mm	36.53 mm	30.18 mm	W210PPB6	PDNF250/9	2AS10-1-1/8D1	DS210TT6		4510B2TR18S
1-1/4"	85 mm	36.53 mm	30.18 mm	W209PPB5	PDNF245/10	2AS09-1-1/4D1	DS209TT5		
1-1/4"	85 mm	36.53 mm	22 mm	W209PPB8	DNF245/10	2AS09-1-1/4	DS209TT8	YQN209104B8	4509B2TR20S
1-1/4"	87 mm	36.53 mm	30.18 mm	W209PPB7		4AS09-1-1/4	DS209TT7		4509B2TR20S1
1-1/2"	80 mm	42.96 mm	18 mm	W208PPB2			DS208TT2		4508B2TR24S
1-1/2"	80 mm	42.96 mm	30.18 mm	W208PPB23	36/PDNF140-1-1/2	2AC08-1-1/2	DS208TT2A		4508B2TR24R
1-1/2"	85 mm	30.8 mm	30.8 mm	W209PPB4	28/PDNF145-1-1/2	3AC09-1-1/2	DS209TT4	YPN209108B4	4509C2TR25R
1-1/2"	87 mm	30.18 mm	30.18 mm	W209PPB6		1AC09D1V1	DS209TT6		4509C2TR24R
1-1/2"	100 mm	33.34 mm	33.34 mm	W211PPB3	PDNF/155/12	3AS11-1-1/2	DS211TT3	YQN211108B3	4511C2TR24SC1
1-1/2"	100 mm	44.45 mm	33.34 mm	GW211PPB23					
1-1/2"	103.56 mm	44.45 mm	36.52 mm	W211PPB6		4AS11-1-1/2	DS211TT6	YQN211108B6	4511B2TR24S1
1-3/4"	90 mm	30.18 mm	30.18 mm	W210PPB5	5/PDNF150-1-3/4	3AC10-1-3/4	DS210TT5		4510C2TR28R
1-3/16"	80 mm	30.18 mm	18 mm	W208PPB7	2/DNF140-1-3/16	1AC08-1-3/16	DS208TT7	YPN208103B7	4508A2TR19R
1-15/16"	90 mm	30.18 mm	30.18 mm	W210PPB2	PDNF150-1-15/16	3AC10-1-15/16	DS210TT2	YPN210115B2	4510C2TR31R
1.785"	100 mm	33.34 mm	25 mm	GW211PPB13			DS211TTR13		
2.195"	100 mm	39.69 mm	25 mm	GW211PPB9		1AC11-2-3/16D1V1	DS211TTR9	YPN211203B9G	
2-3/16"	100 mm	33.34 mm	33.34 mm	W211PPB2	PDNF155-2-3/16	3AC11-2-3/16	DS211TT2	YPN211203B2	4511C2TR35R
28 mm	80 mm	36.53 mm	30.18 mm	W208PPB3			DS208TT3		4508D2TR24R1
40 mm	100 mm	44.45 mm	25 mm	GW211PPB29					
40 mm	100 mm	33.34 mm	33.34 mm	W211PPB30					
45 mm	85 mm	30.18 mm	30.18 mm	W209PPB2	PDNF145-45	3AC09	DS209TT2	YPN209112B2	4511C2TR24-1
45 mm	85 mm	36.53 mm	22 mm	GW209PPB11	28/DNF245-45	1AC09D1	DS209TTR10	YPN209115P10C	4509C2TR28R
70 mm	125 mm	61.9 mm	39.69 mm	GW214PPB5			DS214TTR5		

Dimensions are in metric unless specified.



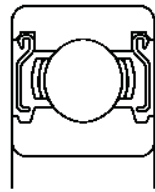
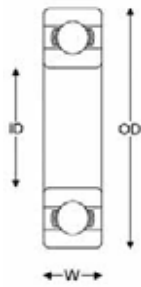
Agricultural Bearings - Light Series

Bore Size	O.D.	I.R Width	O.R. Width	Bearing Number
16.256 mm	40 mm	18.29 mm	12 mm	203KRR2
13.081 mm	40 mm	18.29 mm	12 mm	203KRR5
35 mm	72 mm	25 mm	17 mm	207KRR

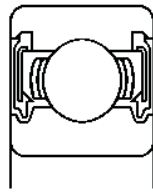
Special Agricultural Bearings

Bore Size	O.D.	I.R Width	O.R. Width	Bearing Number
1/2"	1-1/2"	11 mm	11 mm	202NPP9
5/8"	2"	15 mm	15 mm	203KRR3
5/8"	47 mm	18.29 mm	12 mm	203KRR6
3/4"	1.7805"	15.49"	15.49"	Z9504B
3/4"	1.7805"	15.49"	15.49"	Z9504B
3/4"	1.7805"	15.49"	15.49"	Z9504B
3/4"	52 mm	16.26 mm	17.78 mm	205KR3
15/16"	52 mm	1-3/8"	15 mm	205PPB7
30 mm	62 mm	24 mm	16 mm	206KP2
1-7/16"	80 mm	22 mm	22mm	208NPPB5
25mm	52mm	15mm	15mm	1205BRG
30mm	62mm	16mm	16mm	1206BRG
45mm	85mm	30.2mm		3209
3/4"	40mm	12mm	12mm	6203-12DDU
3/4"	47mm	14mm	14mm	6204-750DDU
35mm	72mm	24mm	17mm	88507
1-3/8"	80mm	51.59mm		GN106KRRB
1-3/4"	100mm	58.74mm		GN112KRRB
20mm	26mm	16mm		HK2016
30mm	62mm	26.988mm		HK3020
35mm	42mm	20mm		HK3520
25mm	62mm	17mm		NJ305W
3/4"	1.7805"	0.610"		Z9504B

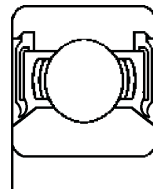
Dimensions are in metric unless specified.



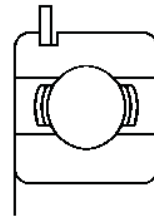
ZZ



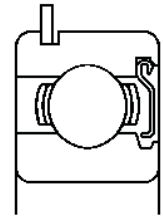
VV



DDU



NR

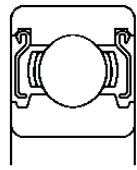
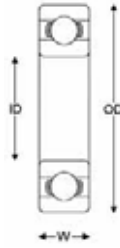


ZNR

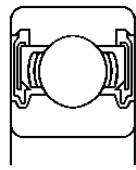
Part Number	Dimensions		
	I.D.	O.D.	W
693ZZ	3	x 8	x 4
623ZZ	3	x 10	x 4
684ZZ	4	x 9	x 4
694ZZ	4	x 11	x 4
604ZZ	4	x 12	x 4
624ZZ	4	x 13	x 5
634ZZ	4	x 16	x 5
685ZZ	5	x 11	x 5
695ZZ	5	x 13	x 4
605ZZ	5	x 14	x 5
625ZZ	5	x 16	x 5
625VV	5	x 16	x 5
635ZZ	5	x 19	x 6
686ZZ	6	x 13	x 5
696ZZ	6	x 15	x 5
606ZZ	6	x 17	x 6
626VV	6	x 19	x 6
626ZZ	6	x 19	x 6
607VV	7	x 19	x 6
607ZZ	7	x 19	x 6
627VV	7	x 22	x 7
627ZZ	7	x 22	x 7
688ZZ	8	x 16	x 5
698ZZ	8	x 19	x 6
608	8	x 22	x 7
608VV	8	x 22	x 7
608ZZ	8	x 22	x 7
608DDU	8	x 22	x 7
628VV	8	x 24	x 8
628ZZ	8	x 24	x 8
689ZZ	9	x 17	x 5
699ZZ	9	x 20	x 6
609ZZ	9	x 20	x 6
609VV	9	x 24	x 7
629ZZ	9	x 26	x 8
629VV	9	x 26	x 8
6800VV	10	x 19	x 5
6800ZZ	10	x 19	x 5
6900ZZ	10	x 22	x 6
6900VV	10	x 22	x 6
51100	10	x 24	x 9
6000ZZ	10	x 26	x 8
6000	10	x 26	x 8
6000VV	10	x 26	x 8
6200ZZ	10	x 30	x 9
6200VV	10	x 30	x 9
6200DDU	10	x 30	x 9
F-6200ZZ	10	x 30	x 9
6200	10	x 30	x 9

Part Number	Dimensions		
	I.D.	O.D.	W
6300ZZ	10	x 35	x 11
6300VV	10	x 35	x 11
6901VV	12	x 24	x 6
6901ZZ	12	x 24	x 6
6001	12	x 28	x 8
6001DDU	12	x 28	x 8
6001VV	12	x 28	x 8
6001ZZ	12	x 28	x 8
6201ZZ	12	x 32	x 10
6201ZZC3	12	x 32	x 10
6201VV	12	x 32	x 10
6201DDUNR	12	x 32	x 10
6201DDU	12	x 32	x 10
6201	12	x 32	x 10
62201-2RS	12	x 32	x 14
6301VV	12	x 37	x 12
6301ZZ	12	x 37	x 12
62301-2RS	12	x 37	x 17
E13	13	x 30	x 7
6201-13ZZ	13	x 32	x 10
6902VV	15	x 28	x 7
6902ZZ	15	x 28	x 7
51102	15	x 28	x 9
6002ZZ	15	x 32	x 9
6002VV	15	x 32	x 9
E15	15	x 35	x 8
6202	15	x 35	x 11
6202DDU	15	x 35	x 11
6202DDUNR	15	x 35	x 11
6202VVC3	15	x 35	x 11
6202ZZ	15	x 35	x 11
6202ZZC3	15	x 35	x 11
6202VV	15	x 35	x 11
1202BRG	15	x 35	x 11
6302VVC3	15	x 42	x 13
6302VV	15	x 42	x 13
6302ZZ	15	x 42	x 13
6302	15	x 42	x 13
6202-16DDU	16	x 35	x 11
203KRR2	16.25	x 40	x 18.29
6903VV	17	x 30	x 7
51103	17	x 30	x 9
6003VV	17	x 35	x 10
6003DDU	17	x 35	x 10
6003ZZ	17	x 35	x 10
6203ZZC3	17	x 40	x 12
6203	17	x 40	x 12
6203DDU	17	x 40	x 12
6203VV	17	x 40	x 12

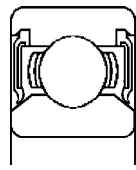
Dimensions are in metric unless specified.



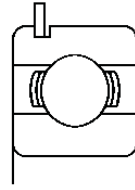
ZZ



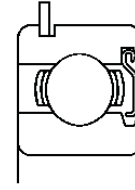
VV



DDU



NR

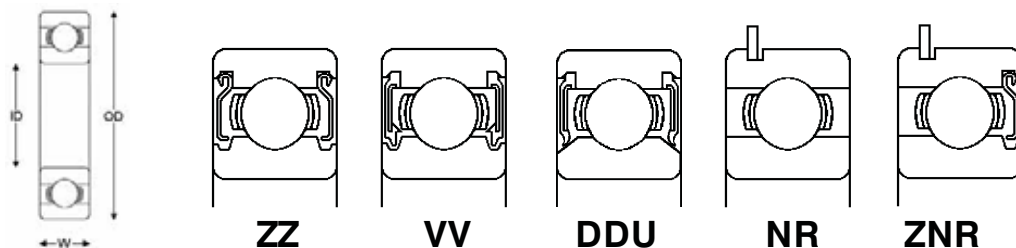


ZNR

Part Number	Dimensions		
	I.D.	O.D.	W
6203VVC3	17	x 40	x 12
6203VVNSK	17	x 40	x 12
6203ZZ	17	x 40	x 12
5203-2RS	17	x 40	x 17.5
5203ZZ	17	x 40	x 17.5
6303ZZ	17	x 47	x 14
6303VVC3	17	x 47	x 14
6303VV	17	x 47	x 14
6303	17	x 47	x 14
6804VV	20	x 32	x 7
51104	20	x 35	x 10
6904VV	20	x 37	x 9
51204	20	x 40	x 14
16004	20	x 42	x 8
6004DDU	20	x 42	x 12
6004ZZ	20	x 42	x 12
6004	20	x 42	x 12
6004VV	20	x 42	x 12
E20	20	x 47	x 12
6204DDU	20	x 47	x 14
7204BW	20	x 47	x 14
6204C3	20	x 47	x 14
6204VV	20	x 47	x 14
6204VVC3	20	x 47	x 14
6204VVNSK	20	x 47	x 14
6204ZZ	20	x 47	x 14
6204	20	x 47	x 14
6204ZZC3	20	x 47	x 14
1204BRG	20	x 47	x 14
5204-2RS	20	x 47	x 20.6
5204ZZ	20	x 47	x 20.6
7304BW	20	x 52	x 15
6304C3	20	x 52	x 15
6304ZZ	20	x 52	x 15
6304VVC3	20	x 52	x 15
6304	20	x 52	x 15
6304VV	20	x 52	x 15
205PPB7	23.81	x 52	x 34.92
6905VV	25	x 42	x 9
51105	25	x 42	x 11
6005VV	25	x 47	x 12
6005VVC3	25	x 47	x 12
6005DDU	25	x 47	x 12
6005ZZ	25	x 47	x 12
6005	25	x 47	x 12
6205VV	25	x 52	x 15
1205BRG	25	x 52	x 15
7205BWG	25	x 52	x 15
7205BW	25	x 52	x 15
6205	25	x 52	x 15
6205C3	25	x 52	x 15
6205DDU	25	x 52	x 15
6205VVC3	25	x 52	x 15
6205ZZ	25	x 52	x 15
6205ZZC3	25	x 52	x 15
6205ZZC325	25	x 52	x 15
2205-2RS	25	x 52	x 18

Part Number	Dimensions		
	I.D.	O.D.	W
51305	25	x 52	x 18
5205-2RS	25	x 52	x 20.6
5205NRC3	25	x 52	x 20.6
5205ZZ	25	x 52	x 20.6
3205	25	x 52	x 20.6
6305VV	25	x 62	x 17
6305ZZ	25	x 62	x 17
6305VVC3	25	x 62	x 17
6305	25	x 62	x 17
6305NRC3	25	x 62	x 17
6305DDU	25	x 62	x 17
6305C3	25	x 62	x 17
51106	30	x 47	x 11
6006	30	x 55	x 13
6006VV	30	x 55	x 13
6006ZZ	30	x 55	x 13
7206BW	30	x 62	x 16
1206BRG	30	x 62	x 16
6206VV	30	x 62	x 16
6206C3	30	x 62	x 16
6206DDU	30	x 62	x 16
6206VVC3	30	x 62	x 16
6206ZZ	30	x 62	x 16
6206ZZC3	30	x 62	x 16
6206	30	x 62	x 16
62206-2RS	30	x 62	x 20
5206-2RS	30	x 62	x 23.8
5206ZZ	30	x 62	x 23.8
88506	30	x 62	x 24
6306C3	30	x 72	x 19
6306NRC3	30	x 72	x 19
6306VV	30	x 72	x 19
6306VVC3	30	x 72	x 19
6306ZZ	30	x 72	x 19
6306ZNR	30	x 72	x 19
6306ZNRC3	30	x 72	x 19
16007	35	x 62	x 9
6007	35	x 62	x 14
6007VV	35	x 62	x 14
6007ZZ	35	x 62	x 14
51207	35	x 62	x 18
6207ZZ	35	x 72	x 17
7207BW	35	x 72	x 17
6207ZNRC3	35	x 72	x 17
6207ZNR	35	x 72	x 17
6207VV	35	x 72	x 17
6207DDU	35	x 72	x 17
6207C3	35	x 72	x 17
6207	35	x 72	x 17
6307ZNRC3	35	x 80	x 21
6307VV	35	x 80	x 21
6307ZNR	35	x 80	x 21
6307NRC3	35	x 80	x 21
7307BW	35	x 80	x 21
3307	35	x 80	x 34.9
51108	40	x 60	x 13
6908VV	40	x 62	x 12

Dimensions are in metric unless specified.



Part Number	Dimensions		
	I.D.	O.D.	W
16008	40	x 68	x 9
6008VV	40	x 68	x 15
6008	40	x 68	x 15
6008ZZ	40	x 68	x 15
6009VV	40	x 75	x 16
6208	40	x 80	x 17
6208C3	40	x 80	x 17
7208BW	40	x 80	x 18
6208ZZ	40	x 80	x 18
6208VV	40	x 80	x 18
6208KVV (Tapered)	40	x 80	x 18
5208ZZ	40	x 80	x 30.2
6308ZNR3	40	x 90	x 23
6308VV	40	x 90	x 23
6308NRC3	40	x 90	x 23
BL308ZNR	40	x 90	x 23
6209	45	x 85	x 19
6209ZZ	45	x 85	x 19
6209VV	45	x 85	x 19
6309VV	45	x 100	x 25
6309C3	45	x 100	x 25
6010VV	50	x 80	x 16
6010ZZ	50	x 80	x 16
6210ZZ	50	x 90	x 20

Part Number	Dimensions		
	I.D.	O.D.	W
6210	50	x 90	x 20
6210VV	50	x 90	x 20
3210	50	x 90	x 30.2
6310VV	50	x 110	x 27
6011VV	55	x 90	x 18
6211VV	55	x 100	x 21
6211	55	x 100	x 21
6311VV	55	x 120	x 29
6012VV	60	x 95	x 18
6212	60	x 110	x 22
6212VV	60	x 110	x 22
6212ZZ	60	x 110	x 22
6312	60	x 130	x 31
6312VV	60	x 130	x 31
6013VV	65	x 100	x 18
6213VV	65	x 120	x 23
6313VV	65	x 140	x 33
6014VV	70	x 110	x 20
6214VV	70	x 125	x 24
6215VV	75	x 130	x 25
6017VV	85	x 130	x 22
6018VV	90	x 140	x 24
6020VV	100	x 150	x 24

INTERCHANGE TABLE

NSK	ZZ	VV	DDU	NR	ZNR
KOYO	ZZ	2RU	2RS	NR	ZNR
NTN	ZZ	LLB	LLU	NR	ZNR
SKF	2Z	2RZ	2RS1	NR	ZNR
FAG	2ZR	-	2RSR	NR	ZRN*
NACHI TO 75MM	ZZE	2NKE	2NSE	NR	ZENR
NACHI 75MM AND OVER	ZZ	2NK	2NSL	NR	ZNR

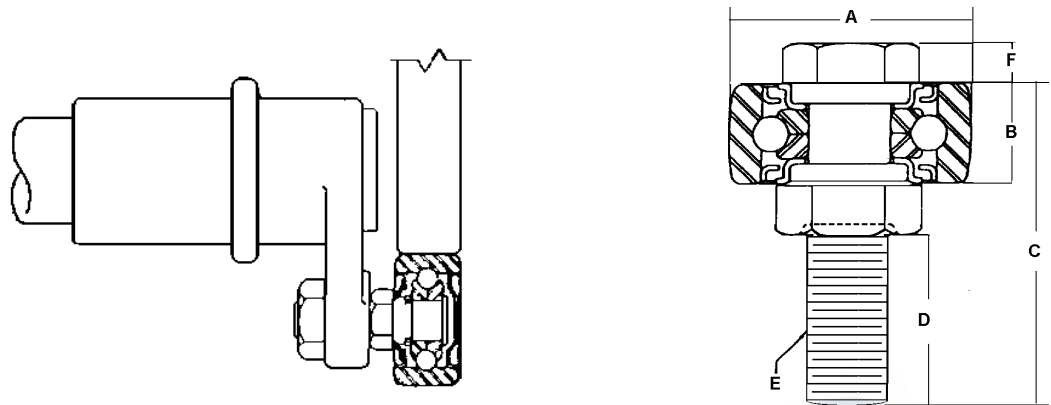
* Does not include Snap Ring

Dimensions are in metric unless specified.

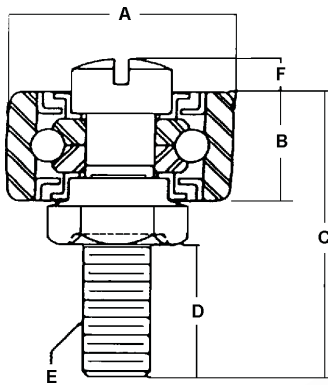
Part Number	Dimensions in mm		
	I.D. mm (in)		W
Z9504B	0.750(3/4")	x	45.224 x 15.494
R2ZZ	3.175(1/8")	x	9.525 x 3.967
R3ZZ	4.762(3/16")	x	12.7 x 4.978
R4-2RS	6.350(1/4")	x	15.875 x 4.978
R4ZZ	6.350(1/4")	x	15.875 x 4.978
R4A	6.350(1/4")	x	19.05 x 5.558
R4A2RS	6.350(1/4")	x	19.05 x 7.142
R4AZZ	6.350(1/4")	x	19.05 x 7.142
R6	9.525(3/8")	x	22.225 x 5.558
R6-2RS	9.525(3/8")	x	22.225 x 7.142
R6ZZ	9.525(3/8")	x	22.225 x 7.142
R8	12.700(1/2")	x	28.575 x 6.35
R8-2RS	12.700(1/2")	x	28.575 x 7.938
R8ZZ	12.700(1/2")	x	28.575 x 7.938
6201-08DDU	12.700(1/2")	x	32 x 10
RLS4-2RS	12.700(1/2")	x	33.338 x 9.525
6202-08DDU	12.700(1/2")	x	35 x 11
RMS4-2RS	12.700(1/2")	x	41.275 x 15.875
6202-10DDU	15.875(5/8")	x	35 x 11
R10	15.875(5/8")	x	34.925 x 7.144
R10-2RS	15.875(5/8")	x	34.925 x 8.731
R10ZZ	15.875(5/8")	x	34.925 x 8.731
RLS5	15.875(5/8")	x	39.688 x 11.112
RLS5-2RS	15.875(5/8")	x	39.688 x 11.112
RLS5ZZ	15.875(5/8")	x	39.688 x 11.112
6203-625DDU	15.875(5/8")	x	40 x 12
RMS5-2RS	15.875(5/8")	x	46.038 x 15.875
RLS6ZZ	19.050(3/4")	x	47.625 x 14.288
6203-12DDU	19.050(3/4")	x	40 x 12
R12	19.050(3/4")	x	41.275 x 7.938
R12-2RS	19.050(3/4")	x	41.275 x 11.112
R12ZZ	19.050(3/4")	x	41.275 x 11.112
6204-750DDU	19.050(3/4")	x	47 x 14
LJT3/4	19.050(3/4")	x	47.625 x 14.288
RLS6	19.050(3/4")	x	47.625 x 14.288
RLS6-2RS	19.050(3/4")	x	47.625 x 14.288
RMS6-2RS	19.050(3/4")	x	50.8 x 17.462
R13-2RS	20.638(13/16")	x	44.45 x 12.7
R14	22.225(7/8")	x	47.625 x 9.525
R14-2RS	22.225(7/8")	x	47.625 x 12.7
RLS7-2RS	22.225(7/8")	x	50.8 x 14.288
RMS7-2RS	22.225(7/8")	x	57.15 x 17.462
R16	25.400(1")	x	50.8 x 9.525
R16-2RS	25.400(1")	x	50.8 x 12.7
R16ZZ	25.400(1")	x	50.8 x 12.7
6205-X2DDU25.4	25.400(1")	x	52 x 15
RLS8	25.400(1")	x	57.15 x 15.875
RLS8-2RS	25.400(1")	x	57.15 x 15.875
RMS8	25.400(1")	x	63.5 x 19.05
RMS8-2RS	25.400(1")	x	63.5 x 19.05
LT1	26.194(1-1/32")	x	45.244 x 44.45
RLS9-2RS	28.575(1-1/8")	x	63.5 x 15.875
RMS9-2RS	28.575(1-1/8")	x	71.438 x 20.638
R20-2RS	31.750(1-1/4")	x	57.15 x 12.700
R20	31.750(1-1/4")	x	57.15 x 9.525
RLS10	31.750(1-1/4")	x	69.85 x 17.462
RLS10-2RS	31.750(1-1/4")	x	69.85 x 17.462
RMS10-2RS	31.750(1-1/4")	x	79.375 x 22.225
RLS11-2RS	34.925(1-3/8")	x	76.2 x 17.462
RLS12-2RS	38.100(1-17/32")	x	82.55 x 19.05
RMS12	38.100(1-17/32")	x	95.25 x 23.812

Dimensions are in metric unless specified.

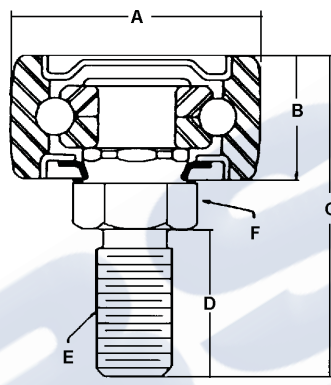
Typical Cam Follower Installation



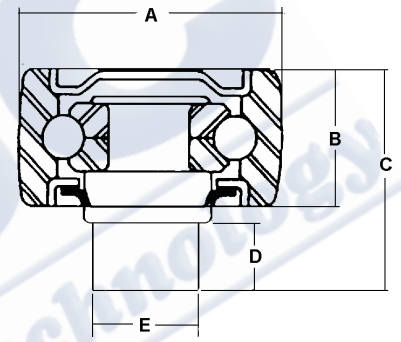
Type 1



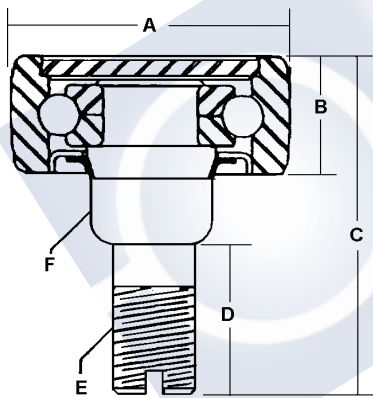
Type 2



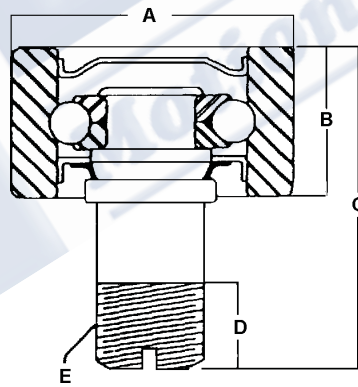
Type 3



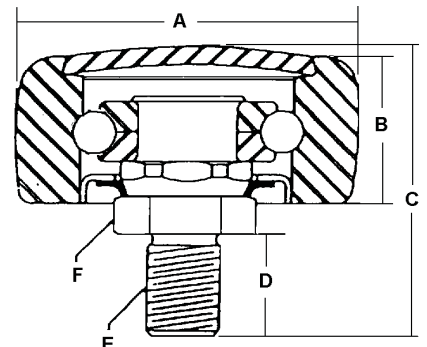
Type 4



Type 5



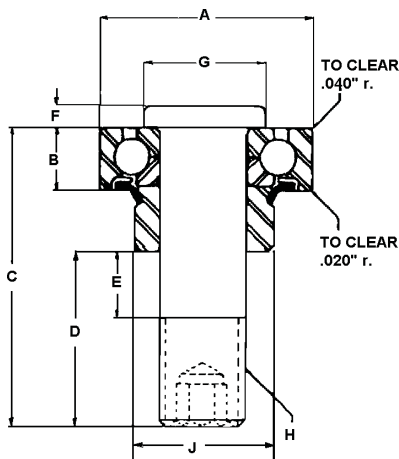
Type 6



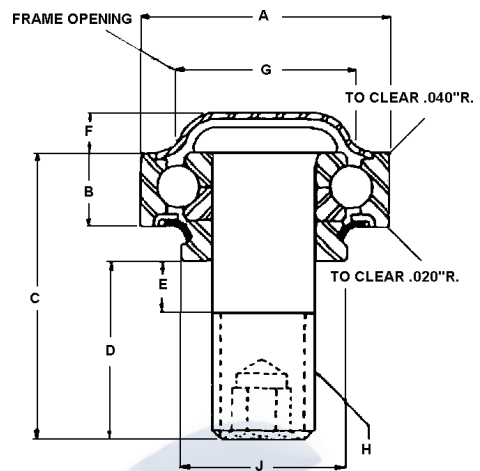
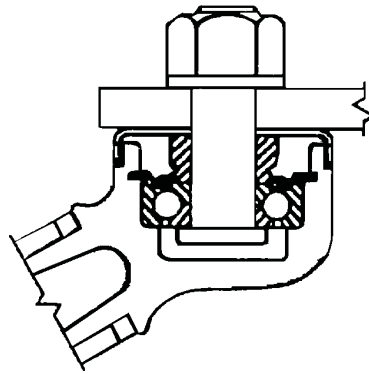
Type 7

Part Number	Type	O.D.			Width		Stud Dimensions	
		A	B	C	D	E	F	
CF-108-S4F6	3	1-1/2"	5/8"	1-13/32"	25/32	3/8-24 UNF-2A	1/2HEX	
CF-6032	2	1-1/4"	5/8"	1-5/8"	3/4	3/8-24 UNF-2A	3/16	
CF-6416	3	1-1/4"	5/8"	1-5/8"	3/4	3/8-24 UNF-2A	1/2HEX	
CF-6417	3	1-1/2"	5/8"	1-7/16"	15-32	1/2-20 UNF-2A	5/8HEX	
CF-6522	2	1-1/4"	5/8"	2"	1-1/8	3/8-24 UNF-2A	3/16	
CF-6672	2	1-1/4"	5/8"	1-3/4"	7/8	3/8-24 UNF-2A	3/16	
CF-6888	4	1-3/4"	3/4"	1-23/32"	3/4	.375-.378	-	
CF-7811	3	1-1/2"	5/8"	2-1/32"	1-1/16	1/2-20 UNF-2A	5/8HEX	

Typical Tine Bar Application



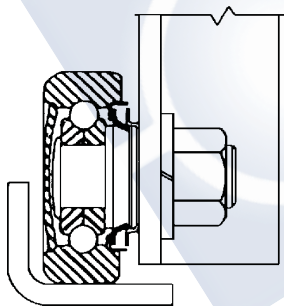
Type 1



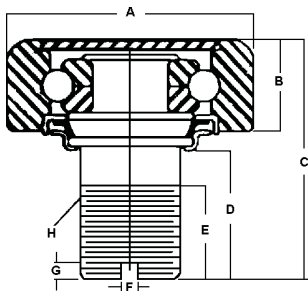
Type 2

Part Number	Type	O.D.		Widths				Stud Dimensions			
		A	B	C	D	E	F	G	H	J	
TB7041	1	52/2.0472	.700"	3.188"	2-1/8"	1-9/16"	.183"	1.063"	7/16-20-UNF-2A	1.250"	
TB7042	1	52/2.0472	.700"	2.375"	1-5/16"	13/32"	.183"	1.063"	5/8-18-UNF-2A	1.250"	
TB7623	1	47/1.8504	.551"	2.560"	1-1/2"	9/16"	.188"	1.063"	3/4-16-UNF-2A	1.225"	
TB7890	1	47/1.8504	.551"	2.125"	1-5/16"	3/8"	.207"	1.080"	3/4-16-UNF-2A	1.225"	
TB7890A	1	47/1.8504	.511"	2.350"	1-19/64"	9/16"	.210"	1.120"	3/4-16-UNF-2A	1.225"	
TB8570	1	52/2.0472	.700"	2.560"	1-1/2"	9/16"	.188"	1.080"	3/4-16-UNF-2A	1.225"	

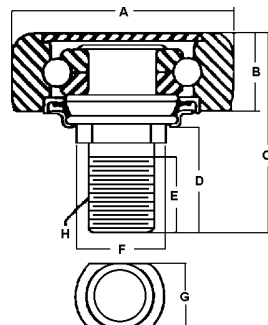
Typical Plunger Roller Installation



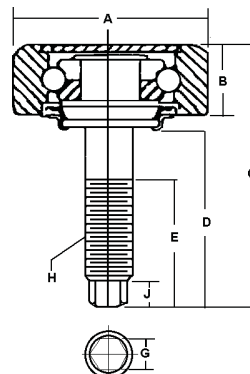
Part Number	Type	O.D.		Widths			Stud Dimensions			
		A	B	C	D	E	F	G	H	J
PR6206	1	2.5000"	.888"	2-11/32"	1-1/4"	29/32"	.157"	.160"	1-14-NS-2	-
PR6901	2	2.5000"	.888"	2-1/4"	1-5/32"	13/16"	1.000"	.750"	3/4-16-UNF-2A	-
PR6956	1	2.5000"	.888"	2-7/32"	1-1/8"	15/16"	.157"	.160"	1-8-NC-2	-
6901M	2	2.5000"	.888"	2-1/4"	1-5/32"	13/16"	1.000"	.795"	M20X1.5-6G	-
6901P	4	2.5000"	.888"	2-1/4"	1-5/32"	13/16"	1.000"	.750"	3/4-16-UNF-2A	-
9814	2	2.5000"	.888"	2-9/16"	1-15/32"	25/32"	1.000"	.750"	3/4-16-UNF-2A	-
9815	2	2.5000"	.888"	3"	1-15/16"	1"	1.000"	.750"	3/4-16-UNF-2A	-



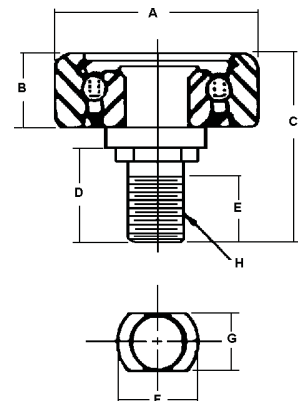
Type 1



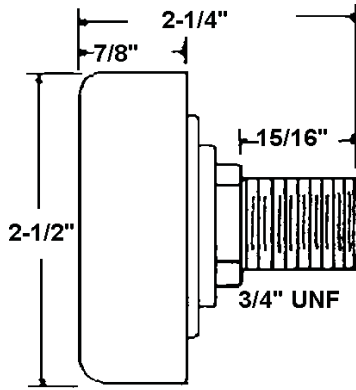
Type 2



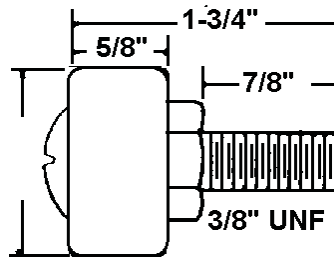
Type 3



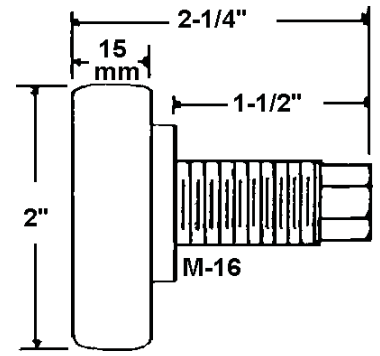
Type 4



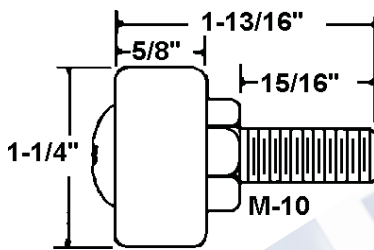
PR6901
B4092
replaces
44457



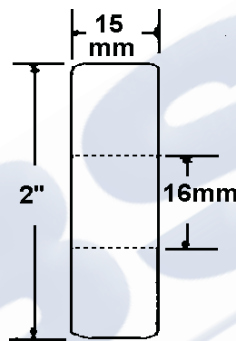
CF6672
B4116
replaces
40714



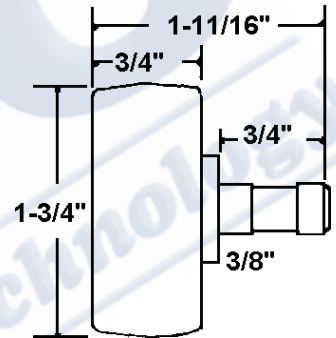
B5322
replaces
535659
154695



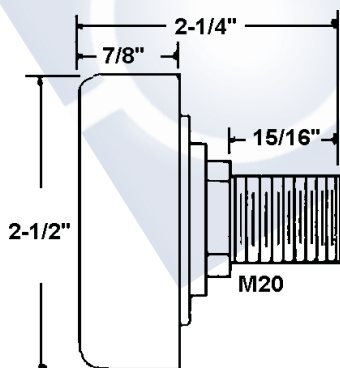
B5337
replaces
535922



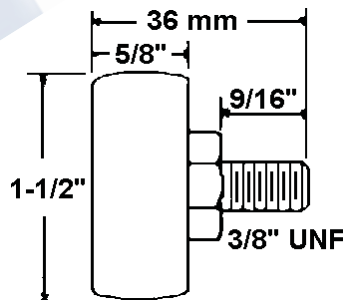
8984
B5324
replaces
535663
154705



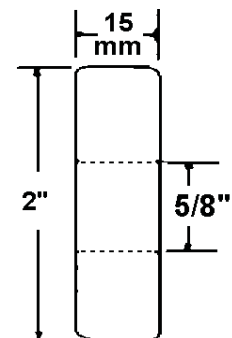
CF6888
B4119
replaces
44280



PR6956
B5323
replaces
154694
535664



CF1083456
B5352
replaces
128780



203RRAR10
B5317
replaces
56617
165484

