

BMZ[®]

**World Wide
Bearings Solutions**



慈溪市永昶轴承有限公司
Cixi Yongchang Bearings Co., Ltd.

慈溪永昶轴承有限公司 是一家专业生产, 销售高精度, 低噪音深沟球轴承制造企业和贸易公司. 公司位于中国轴承之乡宁波慈溪. 产业配套完善. 海路交通便捷.

公司拥有先进的自动精密轴承磨超加工生产流水线; 全自动装配, 清洗, 注脂连线. 检验检测设备齐全. 过程控制完善. 从原材料采购到成品入库, 全过程都进行严格有效的质量控制. 保证成品品质以及持续和稳定

公司主营产品法兰轴承系列, 6000系列, 6200系列, 6300系列, 6700系列, 6800系列, 6900系列, 16000系列. 广泛应用于电机, 电动工具, 气动工具, 办公设备, ATM 设备等行业. 我司还可以根据客人图纸或者需求设计加工各类非标轴承以及各类非标机械件: 芯轴, 轴套, 链轮, 齿轮, 同步带轮, 各类异形传动配件. 为您提供经济优质的成套传动解决方案.

竭诚欢迎海内外客商到永昶洽谈, 考察, 合作. 我们将为您提供高性价比的轴承成品和优质高效的服务

Cixi Yongchang Bearings Co., Ltd. is professional bearings manufacturer and trading company focus on high precision low noise deep groove ball bearings. The company is located in the center of Chinese bearings industry city Cixi. It with superior bearings industry support chain and convenient transportation by sea, air and land.

The company equip with high precision automatic bearings grinding machine, assembling, clearing, grease-filling line. The precision devices, advanced production techniques and strict quality control system guarantee high precision, low noise and long serve lifetime of our bearings.

Our major production range is Flanged Bearings, 6000 series ball bearings; 6200 series ball bearings; 6300 series ball bearings; 6700 series ball bearings; 6800 series ball bearings; 6900 series ball bearings; 16000 series ball bearings. They widely applied on Motor, Electrical tools; pneumatic tools; office equipment; ATM machine etc. We also can design and produce various of non-standard bearings and mechanical parts according to drawings or request. The parts could be: precision shaft, bushing, Gear, Sprocket, Time Pulley and various of special-shaped transmission parts. We could be your one stop reliable solution for your transmission request.

We welcome all the clients from any area to visit and cooperate with us. We would like to provide you high quality products with reasonable price and high efficient service



BMZ®

Content Index

Tolerance	04
Material	06
Internal Clearance & Shield Seals	07
Lubricate & Cage	08
Noise & Vibration	09
Inch Flanged Series	10
Metric Flanged Series	11
6000 Product Series	14
6200 Product Series	15
6300 Product Series	16
6700 Product Series	17
6800 Product Series	18
6900 Product Series	19
16000 Product Series	20
62200 product Series	21
Special Bearings	22
Special Shape.....	23

The bearings tolerance or dimension accuracy are regulated by "ISO492" standard with:0 Grade;6 Grade 5 Grade;4 Grade;2 Grade.Class 0 corresponds to normal precision class bearings, and precision becomes progressively higher as the class number becomes smaller; i.e., Class 6 is less precise than Class 5, which is less precise than Class 4, and so on.

The Interchange Table Of Bearings Tolerance Of National Standards

unit:um

Standard		Tolerance Class				
Standardization Administration of the People's Republic of China(SAC)	GB	0 Grade	6 Grade	5 Grade	4 Grade	2 Grade
International Organization for Standardization (ISO)	ISO492	Class 6X	Class6	Class5	Class4	Class2
Deutsches Institut für Normung(ISO)	DIN620	P0	P6	P5	P4	P2
American National Standards Institute (ANSI)	ANSI/ABMA Std.20	ABEC1	ABEC3	ABEC5	ABEC7	ABEC9
Japanese industrial standard (JIS)	JIS B 1514	class 0,6X	class 6	class 5	class 4	class 2

Tolerance For Radial Bearings Except Tapered Roller Bearings Inner Ring

unit:um

Nominal Bore Diameter		Single Plane mean bore diameter deviation									
d(mm)		Δdmp									
		0 Grade		6 Grade		5 Grade		4 Grade		2 Grade	
over	incl	High	Low	High	Low	High	Low	High	Low	High	Low
0.6	2.5	0	-8	0	-7	0	-5	0	-4	0	-2.5
2.5	10	0	-8	0	-7	0	-5	0	-4	0	-2.5
10	18	0	-8	0	-7	0	-5	0	-4	0	-2.5
18	30	0	-10	0	-8	0	-6	0	-5	0	-2.5
30	50	0	-12	0	-10	0	-8	0	-6	0	-2.5
50	80	0	-15	0	-12	0	-9	0	-7	0	-4

unit:um

Single radial plane bore diameter variation										
Vdp										
Diameter Series 9					Maxdiameter Series 0.1					
0 Grade	6 Grade	5 Grade	4 Grade	2 Grade	0 Grade	6 Grade	5 Grade	4 Grade	2 Grade	
10	9	5	4	2.5	8	7	4	3	2.5	
10	9	5	4	2.5	8	7	4	3	2.5	
10	9	5	4	2.5	8	7	4	3	2.5	
13	10	6	5	2.5	10	8	5	4	2.5	
15	13	8	6	2.5	12	10	6	5	2.5	
19	15	9	7	4	19	15	7	5	4	

Tolerance For Radial Bearings Except Tapered Roller Bearings Inner Ring

unit:um

Single radial plane bore diameter variation					Mean single plane bore diameter variation				
Vdp					Vdmp				
Maxdiameter Series 2.3.4					0 Grade	6 Grade	5 Grade	4 Grade	2 Grade
0 Grade	6 Grade	5 Grade	4 Grade	2 Grade	Max				
6	5	4	3	2.5	6	5	3	2	1.5
6	5	4	3	2.5	6	5	3	2	1.5
6	5	4	3	2.5	6	5	3	2	1.5
8	6	5	4	2.5	8	6	3	2.5	1.5
9	8	6	5	2.5	9	8	4	3	1.5
11	9	7	5	4	11	9	5	3.5	2

unit:um

Inner ring radial runout					Inner ring width deviation					
Kia					ΔBs					
0 Grade	6 Grade	5 Grade	4 Grade	2 Grade	0.6 Grade		5.4 Grade		2 Grade	
Max					High	Low	High	Low	High	Low
10	5	4	2.5	1.5	0	-40	0	-40	0	-40
10	6	4	2.5	1.5	0	-120	0	-40	0	-40
10	7	4	2.5	1.5	0	-120	0	-80	0	-80
13	8	4	3	2.5	0	-120	0	-120	0	-120
15	10	5	4	2.5	0	-120	0	-120	0	-120
20	10	5	4	2.5	0	-150	0	-150	0	-150

Tolerance For Radial Bearings Except Tapered Roller Bearings Outer Ring

Nominal Outer Diameter		Single plane mean outer diameter deviation									
Diameter		ΔDmp									
D(mm)		0 Grade		6 Grade		5 Grade		4 Grade		2 Grade	
over	incl	High	Low	High	Low	High	Low	High	Low	High	Low
0.6	2.5	0	-8	0	-7	0	-5	0	-4	0	-2.5
2.5	10	0	-8	0	-7	0	-5	0	-4	0	-2.5
10	18	0	-9	0	-8	0	-6	0	-5	0	-4
18	30	0	-11	0	-9	0	-7	0	-6	0	-4
30	50	0	-13	0	-11	0	-9	0	-7	0	-4
50	80	0	-15	0	-13	0	-10	0	-8	0	-5

Single radial plane outer diameter variation										
VDp										
Diameter Series 9					Maxdiameter Series 0.1					
0 Grade	6 Grade	5 Grade	4 Grade	2 Grade	0 Grade	6 Grade	5 Grade	4 Grade	2 Grade	
10	9	5	4	2.5	8	7	4	3	2.5	
10	9	5	4	2.5	8	7	4	3	2.5	
12	10	6	5	4	9	8	5	4	4	
14	11	7	6	4	11	9	5	5	4	
16	14	9	7	4	13	11	7	5	4	
19	16	10	8	5	19	16	8	6	5	

▶ Bearings Tolerance BMZ®

Tolerance For Radial Bearings Except Tapered Roller Bearings Outer Ring

Single radial plane outer diameter variation					Mean single plane outer diameter variation				
VDp unit:um					VDmp unit:um				
Maxdiameter Series 2.3.4					0 Grade	6 Grade	5 Grade	4 Grade	2 Grade
0 Grade	6 Grade	5 Grade	4 Grade	2 Grade	Max				
6	5	4	3	2.5	6	5	3	2	1.5
6	5	4	3	2.5	6	5	3	2	1.5
7	6	5	4	4	7	6	3	2.5	2
8	7	5	5	4	8	7	4	3	2
10	8	7	5	4	10	8	5	3.5	2
11	10	8	6	5	11	10	5	4	2.5

Outer ring radial runout					Outer ring width deviation					
Kea unit:um					ΔCs unit:um					
0 Grade	6 Grade	5 Grade	4 Grade	2 Grade	0.6 Grade		5.4 Grade		2 Grade	
Max					High	Low	High	Low	High	Low
15	8	5	3	1.5	0	-40	0	-40	0	-40
15	8	5	3	1.5	0	-120	0	-40	0	-40
15	9	6	4	2.5	0	-120	0	-80	0	-80
20	10	7	5	2.5	0	-120	0	-120	0	-120
25	13	8	5	4	0	-120	0	-120	0	-120
35	18	10	6	5	0	-150	0	-150	0	-150

▶ Material BMZ®

The ring and ball of bearing are made of chrome steel Gcr15 or stainless steel 9Cr18. The cage is formed to be punched of quality cold-rolled steel; it also can be adopted plastics if necessary

Steel No:	C%	Si%	Mn%	P%	S%	Cr%	Mo%	Ni%
Gcr15	0.95-1.1	0.15-0.35	0.2-0.45	0.027Max	0.2Max	1.4-1.65	0.1Max	0.23%

The Interchange Table Of Chrome Steel For Designation Country

China	Sweden	Japan	ISO	USA	Germany
Gcr15	SKF3	(JIS)SUJ2	683/XVII1	(AISI)52100	(DIN)100Cr6

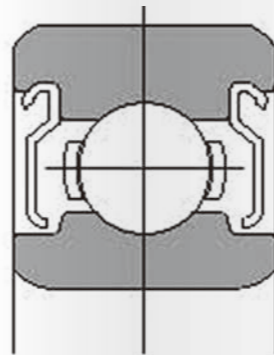
▶ Bearings Internal Clearance BMZ®

Radial internal clearance is a measure of the radial looseness, or play between the inner and outer rings. Precision bearings are available in five classes of looseness. The amount of looseness necessary is dependent on many factors such as shaft alignment shaft and housing fits, bearing speed, etc.

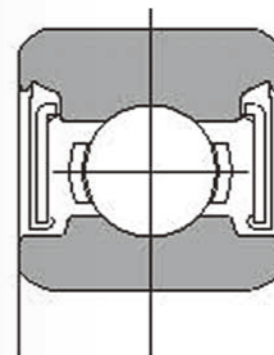
Bore diameter		group 2		Standard group		group 3		group 4		group 5	
Over	Incl	min	max	min	max	min	max	min	max	min	max
2.5	6	0	7	2	13	8	23				
6	10	0	7	2	13	8	23	14	29	20	37
10	18	0		3	18	11	25	18	33	25	45
18	24	0	10	5	20	13	28	20	36	28	48
24	30	1	11	5	20	13	28	23	41	30	53
30	40	1	11	6	20	15	33	28	46	40	64
40	50	1	11	6	23	18	36	30	51	45	73
50	65	1	15	8	28	23	43	38	61	55	90
65	80	1	15	10	30	25	51	46	71	65	105

▶ Bearings Shield And Seal BMZ®

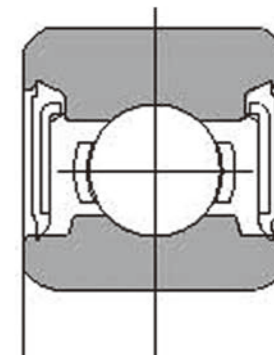
The structure of bearings consists of open type and close type. And the close type can be equipped with shields with noncontact seals; with contact seals. You can choose by your application request.



Part number symbol Z: Single Side
ZZ Double Side
The shield is secured directly in the outer ring
No contact between shield bore and circumference of outer ring land



Part number symbol RZ: Single Side
2RZ Double Side
Rubber seal with steel insert is secured directly in the outer ring
Seal doesn't contact circumference of inner ring



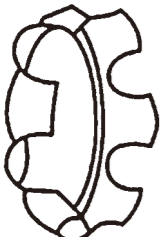



Part number symbol RS: Single Side
2RS Double Side
Rubber seal with steel insert is secured directly in the outer ring
Seal contact circumference of inner ring
Contacted Seal is highly sealed; but rotation torque is higher than noncontact seal

Bearings Lubricant BMZ®

The bearings with double shield or double seals already been filled general purpose grease(Great Wall).They are suitable for light to middle load;low to middle speed and working temperature -20 C to +110 C.We also can use other brand grease according to your request.

Manufacturer	Brand	Suffix	Application	Viscosity	Base Oil	(Penetration) Consistency	Drop point °C	Temperature range °C
Shell	Alvania R2	L01	General purpose	Lithium	Mineral	273	181	-25-120
Esso	Beacon 325	L02	Low temperature, low torque	Lithium	Diester	265-295	177	-60-120
Chevron	SRI-2	L19	Water resistant	Urea	Mineral	255-280	240	-30-120
Kyber	Isoflex LDS18	L03	Low temperature, low torque	Lithium	Diester	265-295	>180	-60-130
Kycdo Yushi	Multemp SRL	L04	Wide range	Lithium	Tetraester-diester	250	192	-40-150
Sinopec	LNBG 2	Blank	Low noise	Lithium	Mineral	265-295	198	-20 -130
Sinopec	BHP	L05	Wide range	Lithium	Mineral	275	310	-40-200

Cage BMZ®

			
<p>W:ONE-PIECE STEEL CROWN TYPE</p>	<p>J:TWO-PIECE STEEL RIBBON TYPE</p>	<p>RJ:TWO-PIECE STEEL RIVET TYPE</p>	<p>TN9:ONE-PIECE NYLON CROWN TYPE</p>
<p>The stainless steel pressed cage is inner ring guided. It shows excellent performance in low torque, low speed applications.</p>	<p>Consists of two mating steel pressings, the cover side and the claw side.Usually guided by the rolling elements and designed to reduce frictional torque.</p>	<p>The RJ type cage is suitable for larger bearings with a high load carrying capacity. The two pieces are riveted together and are strong enough to withstand higher levels of vibration and acceleration. The cage is guided by the balls and reduces frictional torque.</p>	<p>Moulded nylon cage. Reduces the fluctuation in running torque. Suitable for high speeds.Guided by the rolling elements.</p>

Bearings Noise & Vibration BMZ®

Bearing Noise Is A Function Of Both The Bearing Itself And The Way In Which It Is Used. Bearings Can Be Specified As 100% Noise-tested during Manufacturing When You Order. Bearing Noise Is Not Generally Influenced By ABEC Precision,But Rather By Manufacturers. Internal Quality Standards, Particularly Raceway Finish.The Vibration And Noise. Of Bearings Are Classified As Four Classed As Z1,Z2,Z3 and Z4.It Is Measured By Vibration. Acceleration Gauge.For Special Requirement,It Is Measured By Vibration Velocity Gauge(BVT-1). And Classified As V1, V2, V3 and V4.

Z&V: For General Applications. Standard Deep Groove Ball Bearings In Compliance With.

Z1&V1: For Applications Where There Are Primary Requirements For Vibration.

Z2&V2: For Electric Motors Or Equivalent Where There Are Special Requirements For Vibration.

Z3&V3: For Applications Where There Are Strict Requirements For Vibration.

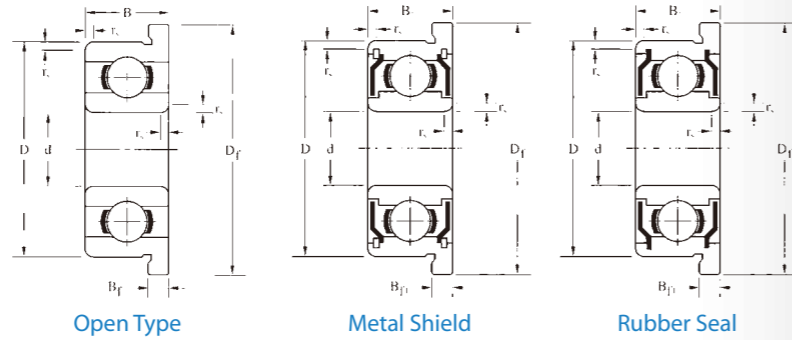
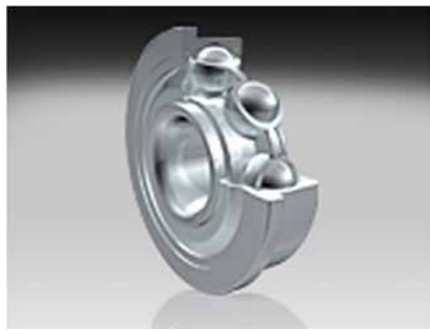
d mm	V			VI			V2			V3			V4		
	Low Brand	Medium Brand	Hish Brand	Low Brand	Medium Brand	High Brand	Low Brand	Medium Brand	HiSh Brand	Low Brand	Medium Brand	High Brand	Low Brand	Medium Brand	High Brand
3,4	80	44	44	60	35	32	48	26	22	31	16	15	28	10	10
5,6	110	72	60	74	48	40	58	36	30	35	21	18	32	11	11
7,8,9	130	96	80	92	66	54	72	48	40	44	28	24	38	12	12
10'12	160	120	100	120	80	70	90	60	50	55	35	30	45	14	15
15	210	150	120	150	100	85	110	78	60	65	46	35	52	18	18
17	210	150	120	150	100	85	110	78	60	65	46	35	52	25	25
20	260	190	150	180	125	100	130	100	75	80	60	45	60	25	25
22,25	260	190	150	180	125	100	130	100	75	80	60	45	60	30	32
28	260	190	150	180	125	100	130	100	75	80	60	45	60	35	40
30,32	300	240	190	200	150	130	150	120	100	90	75	60	70	35	40
35	300	240	190	200	150	130	150	120	100	90	75	60	70	42	45
40	360	300	260	240	180	160	180	150	130	110	90	80	82	50	50
45	360	300	260	240	180	160	180	150	130	110	90	80	82	60	60
50	420	320	320	280	200	200	210	160	160	125	100	100	95	70	70

Gauging conditions:

Low frequency band (L): 50 - 300 Hz;Medium frequency band (M): 300 - 1,800 Hz;High frequency band (H): 1,800 - 10,000 Hz.Test Speed: 1,800 rpm

d mm	Diameter Series(0)				Diameter Series(2)					Diameter Series(3)				
	Z	Z1	Z2	Z3	Z	Z1	Z2	Z3	Z4	Z	Z1	Z2	Z3	Z4
3	35	34	32	28	36	35	32	30		37	36	33	31	
4	35	34	32	28	36	35	32	30		37	36	33	31	
5	37	36	34	30	38	37	34	32		39	37	35	33	
6	37	36	34	30	38	37	34	32		39	37	35	33	
7	39	38	35	31	40	38	36	34						
8	39	38	35	31	40	38	36	34						
9	41	40	36	32	42	40	37	35						
10	43	42	38	33	44	42	39	35	30	37	44	40	37	32
12	44	43	39	34	45	43	39	35	30	47	45	40	37	32
15	45	44	40	35	46	44	41	36	31	48	46	42	38	33
17	46	44	40	35	47	45	41	36	31	49	47	42	38	33
20	47	45	41	36	48	46	42	38	33	50	48	43	39	34
22	47	45	41	36	48	46	42	38	33	50	48	43	39	34
25	48	46	42	38	49	47	43	40	36	51	49	44	41	37
28	49	47	43	39	50	48	44	41	37	52	50	45	42	38
30	49	47	43	39	50	48	44	41	37	52	50	45	42	38
32	50	48	44	40	51	49	45	42	38	53	51	46	43	39
35	51	49	45	41	52	50	46	43	39	54	52	47	44	40
40	53	51	46	42	54	52	47	44	40	56	54	49	45	41
45	55	53	48	45	56	54	49	46	43	58	56	51	47	44
50	57	54	50	47	58	55	51	48	45	60	57	53	49	46
55	59	56	52	49	60	57	53	50	47	62	59	54	51	48
60	61	58	54	51	62	59	54	51	48	64	61	56	53	50

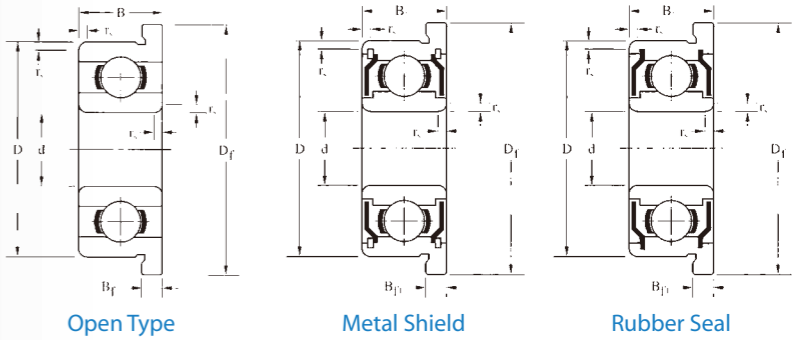
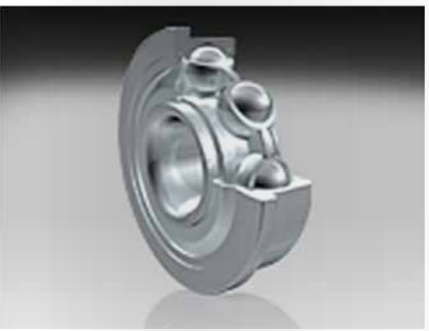
Inch Flanged Bearings BMZ®



Type	Bore	Outer	Width	Width	Radius	Flange	Flange	Flange	Load Rating(N)		Max Speed	
	Diameter	Diameter	B	B1	rs(min)	Diameter	Width	Width	Dynamic	Static	Grease	Oil
	d(mm)	D(mm)	mm	mm	(mm)	Df	Bf	Bf1	Cr	Cor	*1000ROM	
FR133	2.381	4.762	1.588	2.381	0.1	5.994	0.57	0.787	189	60	80	95
FR1-5*	2.381	7.938	2.779	3.571	0.15	9.119	0.584	0.787	582	176	60	71
FR144*	3.175	6.35	2.38	2.779	0.1	7.518	0.584	0.787	284	96	67	80
FR2-5*	3.175	7.938	2.779	3.571	0.1	9.119	0.584	0.787	558	180	60	67
FR2-6*	3.175	9.525	2.779	3.571	0.15	10.719	0.584	0.787	640	227	53	63
FR2*	3.175	9.525	3.967	3.967	0.3	11.176	0.762	0.762	631	219	56	67
FR155*	3.967	7.938	2.779	3.175	0.1	9.119	0.584	0.914	359	150	53	63
FR156*	4.762	7.938	2.779	3.175	0.1	9.119	0.584	0.914	359	150	53	63
FR166*	4.763	9.525	3.175	3.175	0.1	10.719	0.584	0.787	709	272	50	60
FR3*	4.763	12.7	3.967	4.978	0.3	14.351	1.067	1.067	1301	488	43	53
FR168*	6.35	9.525	3.175	3.175	0.1	10.719	0.584	0.914	373	172	48	56
FR188*	6.35	12.7	3.175	4.762	0.15	13.894	0.584	1.143	1082	442	40	50
FR4*	6.35	15.875	4.978	4.978	0.3	17.526	1.067	1.607	1480	621	38	45
FR1810*	7.938	12.7	3.967	3.967	0.15	13.894	0.787	0.787	542	276	40	48
FR6	9.525	22.225	5.558	7.142	0.4	24.613	1.575	1.575	3332	1422	32	38
FR8	12.7	28.575	6.35	7.938	0.4	31.12	1.575	1.575	5108	2413	27	32
FR10	15.875	34.925	7.142	8.733	0.8	37.846		1.754	5988	3287	21	25

*Available With inner ring width extended by 0.015"(0.3962mm) each side
 Bearings also available with single shield or seal:suffixZ,RS,RU
 Bearings also available with stainless material:suffic S or H

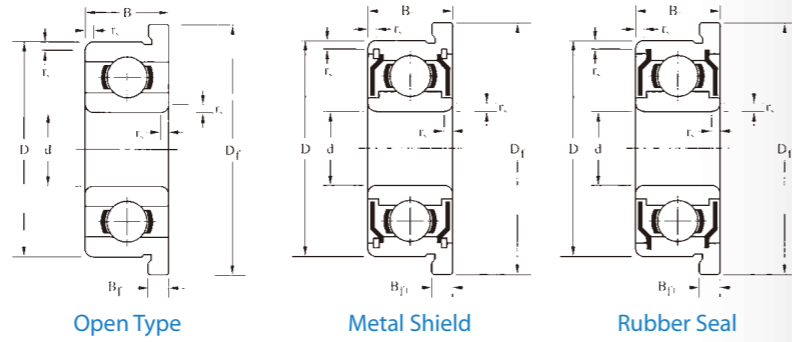
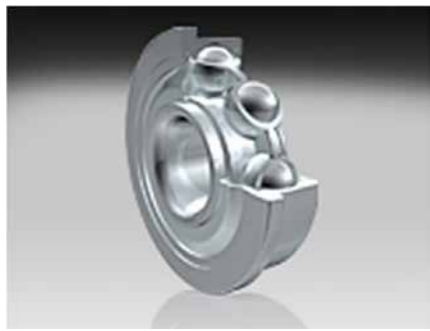
Metric Flanged Bearings BMZ®



Type	Bore	Outer	Width	Width	Radius	Flange	Flange	Flange	Load Rating(N)		Max Speed	
	Diameter	Diameter	B	B1	rs(min)	Diameter	Width	Width	Dynamic	Static	Grease	Oil
	d(mm)	D(mm)	mm	mm	(mm)	Df	Bf	Bf1	Cr	Cor	*1000ROM	
F681X	1.5	4	1.2	2	0.05	5	0.4	0.6	112	33	100	120
F682	2	5	1.5	2.3	0.08	6.1	0.5	0.6	169	50	85	100
MF52	2	5	2	2.5	0.1	6.2	0.6	0.6	169	50	85	100
F692	2	6	2.3	3	0.15	7.5	0.6	0.8	330	99	75	90
MF62	2	6	2.5	2.6	0.15	7.2	0.6	0.6	330	99	75	90
F602	2	7	2.8	3.5	0.15	8.5	0.7	0.9	386	129	60	71
F682X	2.5	6	1.8	2.6	0.08	7.1	0.5	0.8	209	74	71	80
F692X	2.5	7	2.5	3.5	0.15	8.5	0.7	0.9	386	129	63	75
F602X	2.5	8	2.8	4	0.15	9.5	0.7	0.9	552	177	60	71
MF63	3	6	2	2.5	0.1	7.2	0.6	0.6	209	74	71	80
F683	3	7	2	3	0.1	8.1	0.5	0.8	311	112	63	75
MF83	3	8	2.5	3	0.15	9.2	0.6	0.3	395	141	60	67
F693	3	8	3	4	0.15	9.5	0.7	0.9	558	180	60	67
MF93	3	9	2.5	4	0.2	10.2	0.6	0.8	571	189	56	67
F623	3	10	4	4	0.15	11.5	1	1	631	219	50	60
MF74	4	7	2	2.5	0.1	8.2	0.6	0.6	311	115	60	67
MF84	4	8	2	3	0.15	9.2	0.6	0.6	395	141	56	67
684	4	9	2.5	4	0.1	10.3	0.6	1	641	227	53	63
MF104	4	10	3	4	0.2	11.2	0.6	0.8	711	272	48	56

Bearings also available with single shield or seal:suffixZ,RS,RU
 Bearings also available with stainless material:suffic S or H

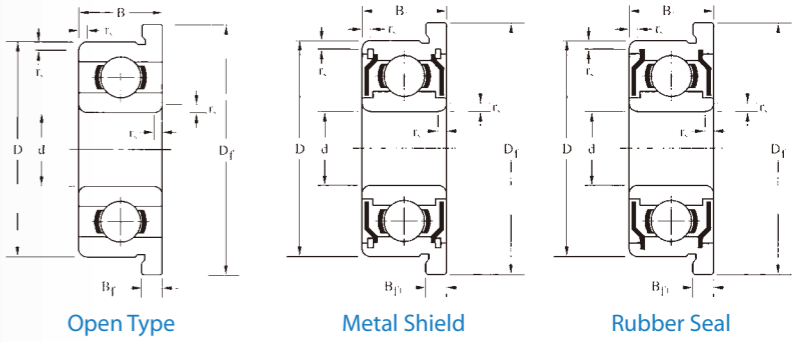
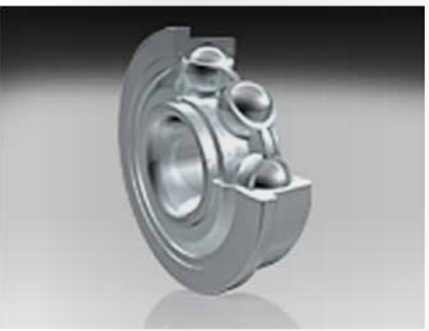
Metric Flanged Bearings **BMZ®**



Type	Bore	Outer	Width	Width	Radius	Flange	Flange	Flange	Load Rating(N)		Max Speed	
	Diameter	Diameter	B	B1	rs(min)	Diameter	Width	Width	Dynamic	Static	Grease	Oil
	d(mm)	D(mm)	mm	mm	(mm)	Df	Bf	Bf1	Cr	Cor	*1000RPM	
F694	4	11	4	4	0.15	12.5	1	1	957	350	48	56
F604	4	12	4	4	0.2	13.5	1	1	957	350	48	56
F624	4	13	5	5	0.3	15	1	1	1301	488	40	48
F634	4	16	5	5	0.3	18	1	1	1340	523	36	43
MF85	5	8	2	2.5	0.1	9.2	0.6	0.6	308	120	53	63
MF95	5	9	2.5	3	0.15	10.2	0.6	0.6	431	169	50	60
MF105	5	10	3	4	0.15	11.2	0.6	0.8	431	169	50	60
MF115	5	11	3	4	0.15	12.6	0.8	0.8	716	282	45	53
F685	5	11	3	5	0.15	12.5	0.8	1	716	282	45	53
F695	5	13	4	4	0.2	15	1	1	1077	432	43	50
F605	5	14	5	5	0.2	16	1	1	1329	507	40	50
F625	5	16	5	5	0.3	18	1	1	1450	675	36	43
F635	5	19	6	6	0.3	22	1.5	1.5	2336	896	32	40
MF106	6	10	2.5	3	0.15	11.2	0.6	0.6	496	218	45	53
MF126	6	12	3	4	0.2	13.2	0.6	0.8	714	295	43	50
F686	6	13	3.5	5	0.2	15	1	1.1	1082	442	40	50
F696	6	15	5	5	0.15	17	1.2	1.2	1340	523	40	45
F606	6	17	6	6	0.3	19	1.2	1.2	2263	846	38	45
F626	6	19	6	6	0.3	22	1.5	1.5	2263	896	32	40
MF117	7	11	2.5	3	0.15	12.2	0.6	0.6	455	202	43	50

Bearings also available with single shield or seal:suffixZ,RS,RU
 Bearings also available with stainless material:suffic S or H

Metric Flanged Bearings **BMZ®**

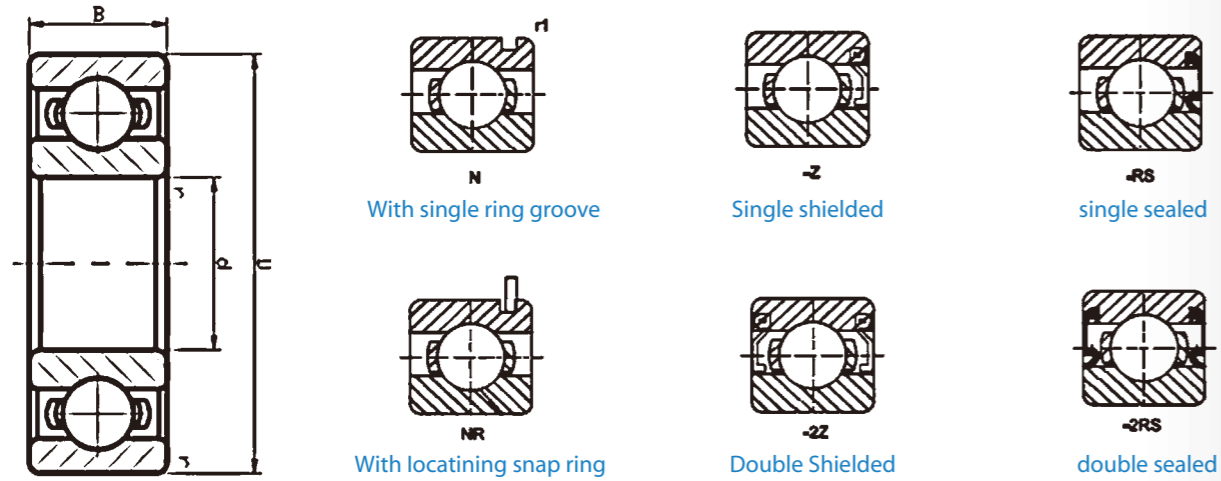


Type	Bore	Outer	Width	Width	Radius	Flange	Flange	Flange	Load Rating(N)		Max Speed	
	Diameter	Diameter	B	B1	rs(min)	Diameter	Width	Width	Dynamic	Static	Grease	Oil
	d(mm)	D(mm)	mm	mm	(mm)	Df	Bf	Bf1	Cr	Cor	*1000RPM	
MF137	7	13	3	4	0.2	14.2	0.6	0.8	541	276	40	48
F687	7	14	3.5	5	0.15	16	1	1.1	1173	513	40	50
F697	7	17	5	5	0.3	19	1.2	1.2	1605	719	36	43
F607	7	19	6	6	0.3	22	1.5	1.5	2336	896	36	43
F627	7	22	7	7	0.3	25	1.5	1.5	3287	1379	30	36
MF128	8	12	2.5	3.5	0.15	13.2	0.6	0.8	534	274	40	48
MF148	8	14	3.5	4	0.2	15.6	0.8	0.8	817	386	38	45
F688	8	16	4	5	0.3	18	1	1.1	1252	592	36	43
F698	8	19	6	6	0.3	22	1.5	1.5	2237	917	36	43
F608	8	22	7	7	0.3	25	1.5	1.5	3293	1379	34	40
F689	9	17	4	5	0.2	19	1	1.1	1327	668	34	40
F699	9	20	6	6	0.3	23	1.5	1.5	2467	1081	34	40
609	9	24	7	7	0.3	27	1.5	1.5	2467	1081	32	38
F6700	10	15	3	4	0.15	16.5	0.8	0.8	855	435	15	17
F6800	10	19	5	5	0.3	21	1	1	1716	840	37	43
F6900	10	22	6	6	0.3	25	1.5	1.5	2695	1273	34	41
F6701	12	18	4	4	0.2	19.5	0.8	0.8	920	530	13	15
F6801	12	21	5	5	0.3	23	1.1	1.1	1915	1041	33	39
F6901	12	24	6	6	0.3	26.5	1.5	1.5	2886	1466	31	36
F6802	15	24	5	5	0.3	26	1.1	1.1	2073	1253	28	33
F6902	15	28	7	7	0.3	30.5	1.5	1.5	4321	2259	26	30
F6903	17	30	7	7	0.3	32.5	1.5	1.5	4588	2565	23	38

Bearings also available with single shield or seal:suffixZ,RS,RU
 Bearings also available with stainless material:suffic S or H

6000 Series Ball Bearing

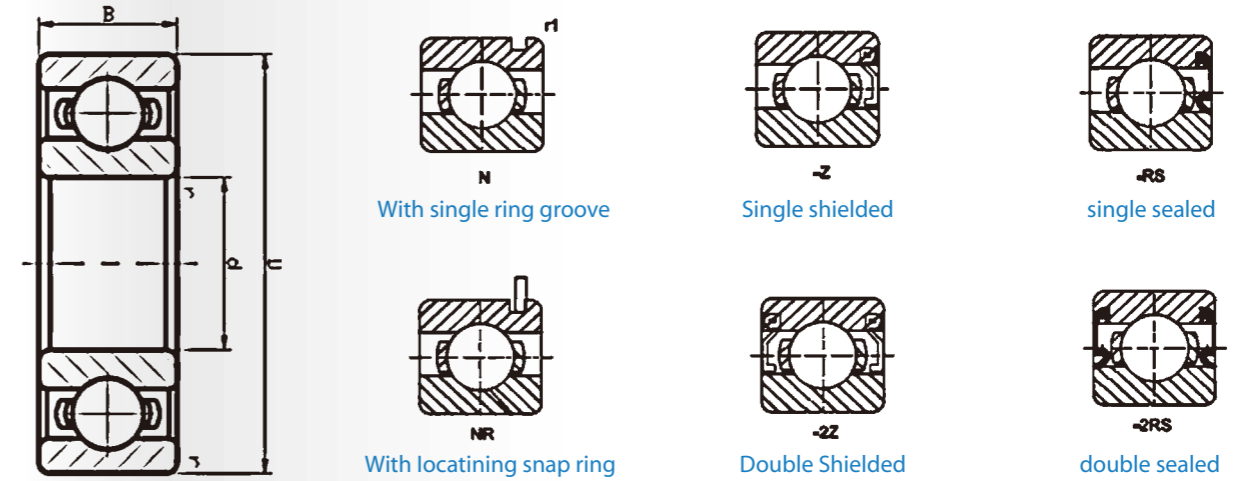
BMZ®



Type	Bore	Outer	Width	Width	Radius	Load Rating(N)		Max Speed	
	Diameter	Diameter	B	B1	rs(min)	Dynamic	Static	Grease	Oil
	d(mm)	D(mm)	mm	mm	(mm)	Cr	Cor	*1000ROM	
605	5	14	5	5	0.2	1329	507	40	50
606	6	17	6	6	0.3	2263	846	38	45
607	7	19	6	6	0.3	2336	896	36	43
608	8	22	7	7	0.3	3293	1379	34	40
609	9	24	7	7	0.3	3356	1444	32	38
6000	10	26	8	8	0.3	3860	1570	31	36
6001	12	28	8	8	0.3	4340	1910	27	32
6002	15	32	9	9	0.3	4750	2270	23	27
6003	17	35	10	10	0.3	5090	2630	21	25
6004	20	42	12	12	0.6	7960	4050	17	21
6005	25	47	12	12	1	8550	4690	15	18
6006	30	55	13	13	1.1	11240	6610	13	15
6007	35	62	14	14	1.1	13560	8250	11	13
6008	40	68	15	15	1.1	14250	9220	10	12
6009	45	75	16	16	1.5	15150	9660	9.2	11
6010	50	80	16	16	1.5	18510	13260	8.4	9.9

6200 Series Ball Bearing

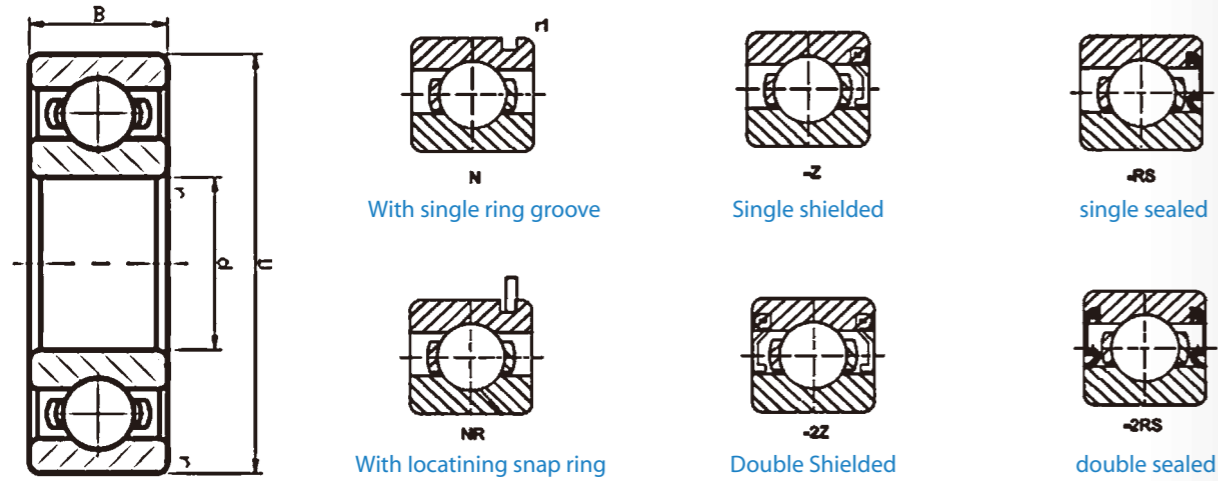
BMZ®



Type	Bore	Outer	Width	Width	Radius	Load Rating(N)		Max Speed	
	Diameter	Diameter	B	B1	rs(min)	Dynamic	Static	Grease	Oil
	d(mm)	D(mm)	mm	mm	(mm)	Cr	Cor	*1000ROM	
625	5	16	5	5	0.3	1729	675	36	43
626	6	19	6	6	0.3	2336	896	32	40
627	7	22	7	7	0.3	3287	1379	30	36
628	8	24	8	8	0.3	3333	1423	28	34
629	9	26	8	8	0.3	4575	1983	28	34
6200	10	30	9	9	0.6	4340	1920	24	29
6201	12	32	10	10	0.6	5770	2450	22	27
6202	15	35	11	11	0.6	6490	3000	20	24
6203	17	40	12	12	0.6	8130	3850	17	21
6204	20	47	14	14	1	10910	5360	15	17
6205	25	52	15	15	1.1	11900	7390	13	15
6206	30	62	16	16	1.5	16530	9080	11	13
6207	35	72	17	17	2	21810	12360	9.2	11
6208	40	80	18	18	2	24730	14330	8.3	10
6209	45	85	19	19	2	27790	16300	7.7	9.2
6210	50	90	20	20	2	29800	18610	7.1	8.5

6300 Series Ball Bearing

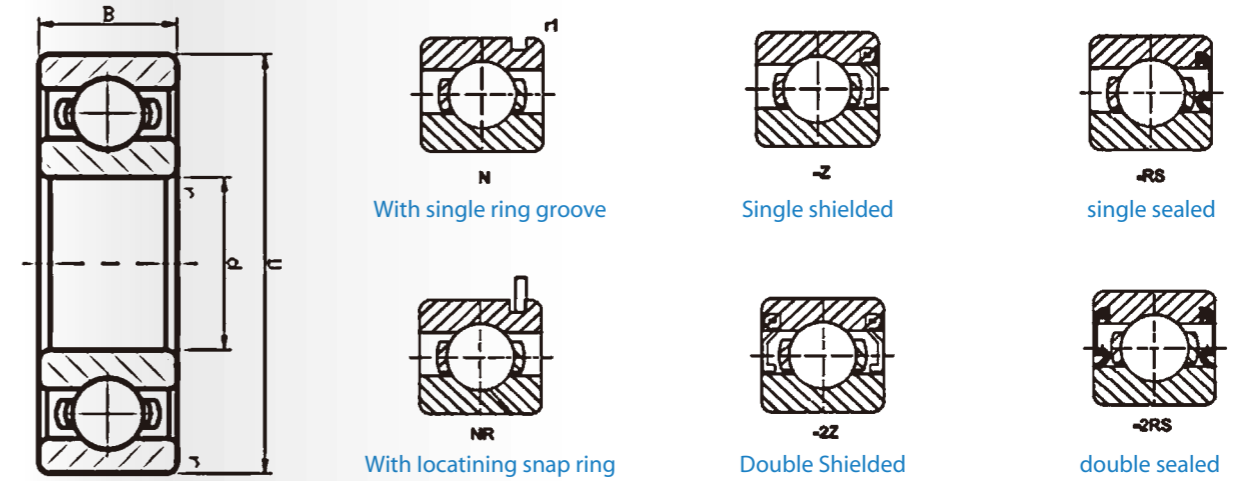
BMZ®



Type	Bore	Outer	Width	Width	Radius	Load Rating(N)		Max Speed	
	Diameter	Diameter	B	B1	rs(min)	Dynamic	Static	Grease	Oil
	d(mm)	D(mm)	mm	mm	(mm)	Cr	Cor	*1000ROM	
634	4	16	5	5	0.3	1340	523	36	43
635	5	19	6	6	0.3	2336	896	32	40
636	6	22	6	6	0.3	3333	1423	30	36
637	7	26	9	9	0.3	4563	1983	28	34
638	8	28	9	9	0.3	4563	1983	28	34
639	9	28	10	10	0.3	4659	2080	24	30
6300	10	35	11	11	0.6	6870	2750	22	27
6301	12	37	12	12	1	8240	3360	20	25
6302	15	42	13	13	1	9710	4370	17	20
6303	17	47	14	14	1.5	11550	5330	15	18
6304	20	52	15	15	2	13490	6310	14	17
6305	25	62	17	17	2	17490	9060	11	13
6306	30	72	19	19	2	22630	12080	9.6	12
6307	35	80	21	21	2.5	28290	15270	8.5	10
6308	40	90	23	23	2.5	40500	24100	7.8	9
6309	45	100	25	25	2.5	53000	32000	7	8.1
6310	50	110	27	27	3	62000	38000	6.4	7.7

6700 Series Ball Bearing

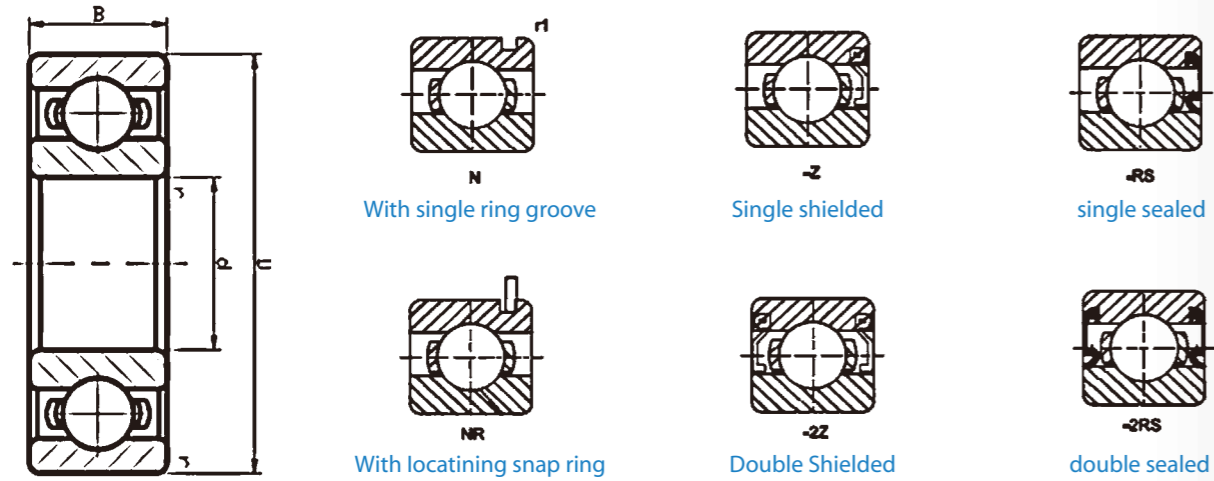
BMZ®



Type	Outer	Width	Width	Radius	Load Rating(N)		Max Speed	
	Diameter	B	B1	rs(min)	Dynamic	Static	Grease	Oil
	D(mm)	mm	mm	(mm)	Cr	Cor	*1000ROM	
6700	15	3	4	0.15	855	435	15	17
6701	18	4	4	0.2	926	530	13	15
6702	21	4	4	0.2	937	582	11	13
6703	23	4	4	0.2	1000	658	9.5	11
6704	27	4	4	0.2	1402	729	8.5	10
6705	32	4	4	0.2	1091	838	7	8
6706	37	4	4	0.2	1143	947	5.5	7
6707	44	5	5	0.3	1866	1635	4.9	6

6800 Series Ball Bearing

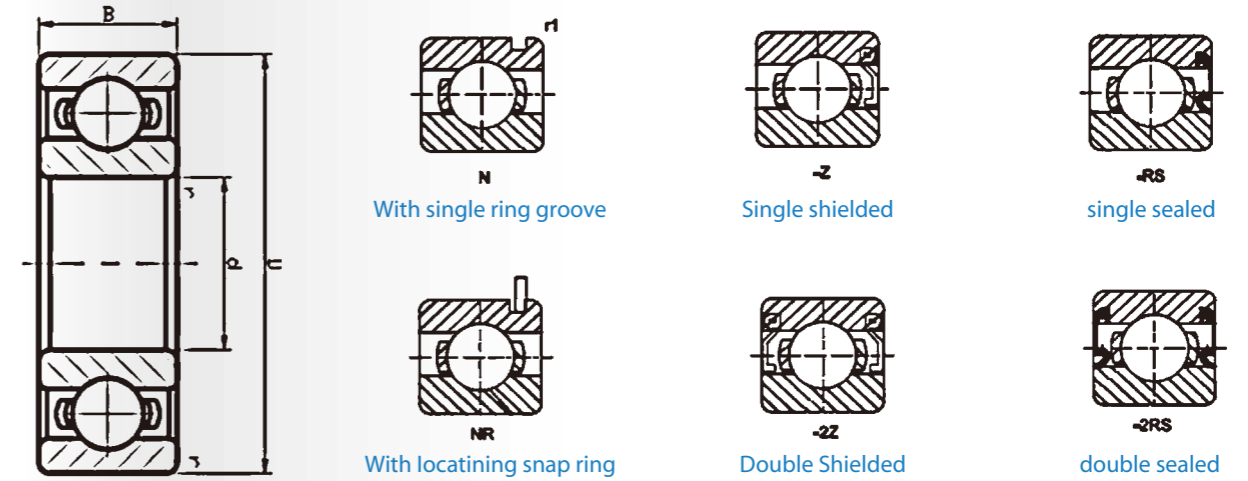
BMZ®



Type	Bore	Outer	Width	Width	Radius	Load Rating(KN)		Max Speed	
	Diameter	Diameter	B	B1	rs(min)	Dynamic	Static	Grease	Oil
	d(mm)	D(mm)	mm	mm	(mm)	Cr	Cor	*1000ROM	
686	6	13	3.5	5	0.2	1082	442	40	50
687	7	14	3.5	5	0.15	1173	513	40	50
688	8	16	4	5	0.3	1252	592	36	43
689	9	17	4	5	0.2	2467	1081	34	40
6800	10	19	5	5	0.3	1716	840	37	43
6801	12	21	5	5	0.3	1915	1041	33	39
6802	15	24	5	5	0.3	2073	1253	28	33
6803	17	26	5	5	0.3	2233	1456	26	30
6804	20	32	7	7	0.3	4015	2462	21	25
6805	25	37	7	7	0.3	4303	2932	18	21
6806	30	42	7	7	0.5	4538	3402	15	18
6807	35	47	7	7	0.5	4729	3821	13	16
6808	40	52	7	7	0.5	4923	4178	12	14
6809	45	58	7	7	0.6	6187	5381	11	13
6810	50	65	7	7	0.6	6610	6090	9.6	11
6811	55	72	9	9	0.6	8800	8100	8.7	10
6812	60	78	10	10	0.6	11500	10600	8	9.4
6813	65	85	10	10	0.6	11900	11500	7.3	8.6
6814	70	90	10	10	0.6	12100	11900	6.8	8.1
6815	75	95	10	10	0.6	12500	12900	12.5	12.9
6816	80	100	10	10	0.6	12700	13300	12.7	13.3

6900 Series Ball Bearing

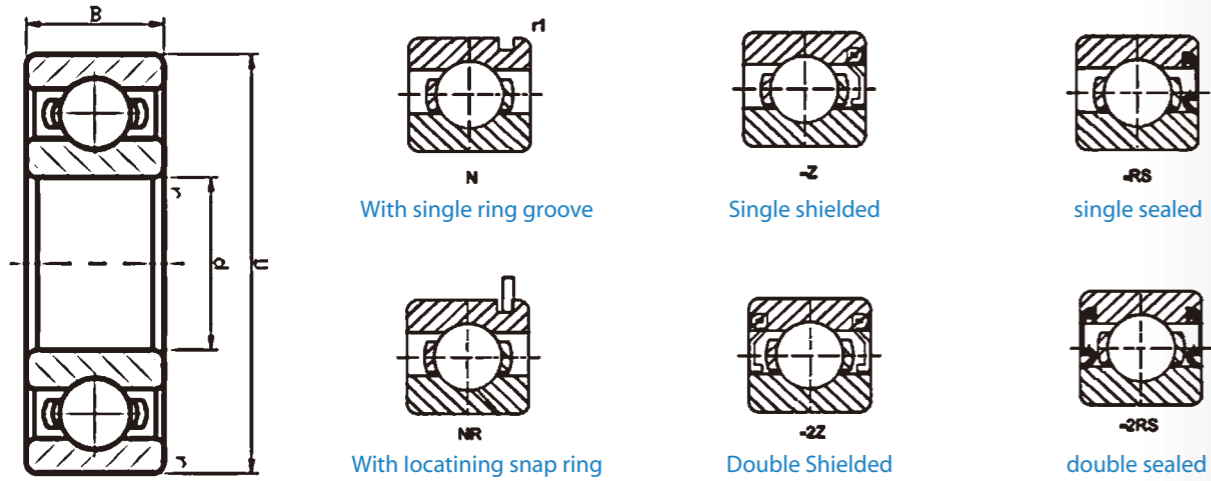
BMZ®



Type	Bore	Outer	Width	Width	Radius	Load Rating(N)		Max Speed	
	Diameter	Diameter	B	B1	rs(min)	Dynamic	Static	Grease	Oil
	d(mm)	D(mm)	mm	mm	(mm)	Cr	Cor	*1000ROM	
696	6	15	5	5	0.15	1340	523	40	45
697	7	17	5	5	0.3	1605	719	36	43
698	8	19	6	6	0.3	2237	917	36	43
699	9	20	6	6	0.3	2467	1081	34	40
6900	10	22	6	6	0.3	2695	1273	34	41
6901	12	24	6	6	0.3	2886	1466	31	36
6902	15	28	7	7	0.3	4321	2259	26	30
6903	17	30	7	7	0.3	4588	2565	23	38
6904	20	37	9	9	0.3	6381	3682	19	23
6905	25	42	9	9	0.3	7001	4540	16	19
6906	30	47	9	9	0.3	7242	5003	14	17
6907	35	55	10	10	0.6	10900	7818	12	14
6908	40	62	12	12	0.6	13678	9968	11	13
6909	45	68	12	12	0.6	14100	10830	9.7	11
6910	50	72	12	12	0.6	14540	11710	9	11
6911	55	80	13	13	1	16600	14100	8.1	9.6
6912	60	85	13	13	1	20200	17300	7.5	8.9
6913	65	90	13	13	1	17400	16100	7.1	8.4
6914	70	100	16	16	1	23700	21200	6.4	7.6
6915	75	105	16	16	1	24400	22600	6.1	7.2
6916	80	110	16	16	1	25000	24000	5.7	6.8

16000 Series Ball Bearing

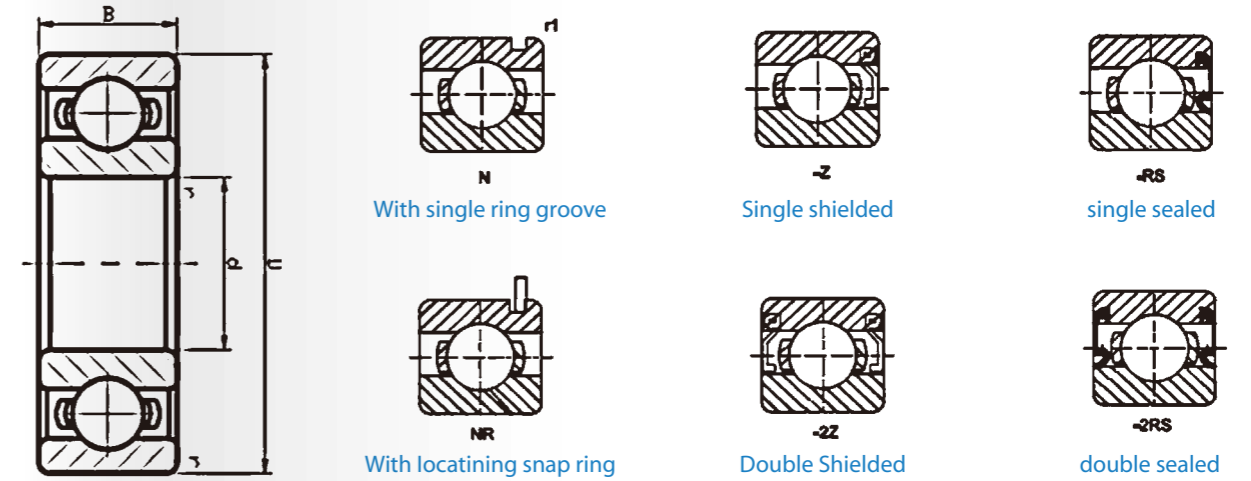
BMZ®



Type	Bore	Outer	Width	Width	Radius	Load Rating(N)	
	Diameter	Diameter	B	B1	rs(min)	Dynamic	Static
	d(mm)	D(mm)	mm	mm	(mm)	Cr	Cor
16000	10	28	8	8	0.3	3600	1500
16001	12	28	7	7	0.3	4000	1800
16002	15	32	8	8	0.3	4400	2200
16003	17	35	8	8	0.3	4800	2600
16004	20	42	8	8	0.3	5500	3200
16005	25	47	8	8	0.3	6000	3800
16006	30	55	9	9	0.3	8900	5800
16007	35	62	9	9	0.3	9900	6500
16008	40	68	9	9	0.3	10600	7300
16009	45	75	10	10	0.6	12400	8600
16010	50	80	10	10	0.6	13000	9100
16011	55	90	11	11	0.6	15600	11200
16012	60	95	11	11	0.6	15900	12000
16013	65	100	11	11	0.6	16900	13200
16014	70	110	13	13	0.6	22400	20000
16015	75	115	13	13	0.6	22800	21600
16016	80	125	14	14	0.6	26500	25200
16017	85	130	14	14	0.6	27000	21440
16018	90	140	16	16	1	33200	24960
16019	95	145	16	16	1	33800	26560

62200 Series Ball Bearing

BMZ®



Type	Bore	Outer	Width	Width	Radius	Load Rating(KN)	
	Diameter	Diameter	B	B1	rs(min)	Dynamic	Static
	d(mm)	D(mm)	mm	mm	(mm)	Cr	Cor
62200	10	30	14	14	0.6	3.928	2.23
62201	12	32	14	14	0.6	5.24	3.05
62202	15	35	14	14	0.6	5.864	3.49
62203	17	40	16	16	0.6	7.36	4.48
62204	20	47	18	18	1	9.867	6.2
62205	25	52	18	18	1	10.78	6.98
62206	30	62	20	20	1	14.9	10
62207	35	72	23	23	1.1	21.6	13.7
62208	40	80	23	23	1.1	22.8	15.8
62209	45	85	23	23	1.1	24.5	17.5
62210	50	90	23	23	1.1	27	19.8

Below are some example special bearings we have developed successfully for market



Guide Rail Bearings



Hybrid Ceramic Bearings



Special Bike Bearings



Extend Inner Ring Bearings



Bearings With Snap Rings



Hex-bore Ball Bearings.



Special Bearings For Belting



Full Complement Ball Bearings



Titanium Coating Ball Bearings

Since BMZ was established we have always put in a little bit more effort to meet the special requirements of our customers. Please call us if your rolling solution does not seem to be possible with standard bearings and components or does not run elegantly enough. Listening – understanding – designing – calculating – producing or having things produced: these are the steps that have been proven and tested again and again.



Wheels



Bearings for windows



Bearings with shaft



Plastic rollers



Rollers



Pulley wheels



BMZ[®]

慈溪市永昶轴承有限公司
Cixi Yongchang Bearings Co., Ltd.

Factory Location: Jiangjiahe Village Henghe Town Cixi 315318 NingBo China
 Sales Office: Room 2309 Langmu Building Baishalu Street Cixi 315300 Ningbo
 Tel: 0574-63037326 Fax: 0574-63037315
 Email: sales@bmzbearings.com