

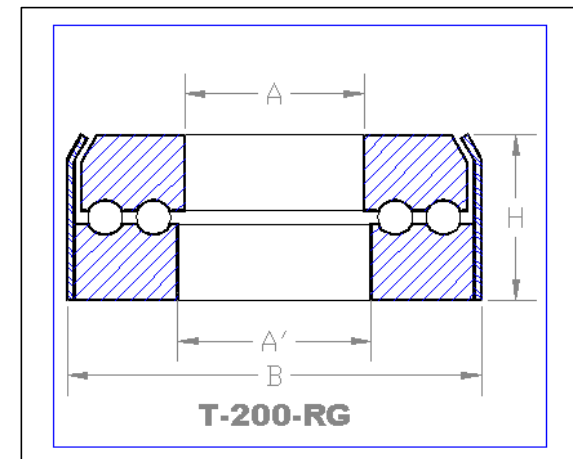
Auburn Bearing & Manufacturing T-200RG

BALL THRUST BEARING ENCLOSED STYLE SELF CONTAINED ROUND GROOVES

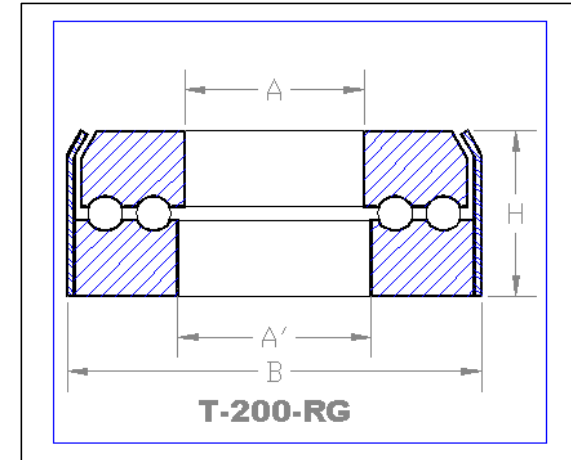
Auburn Enclosed Style T-200RG Ball Thrust Bearing is recommended for use where maximum carrying capacity is desired but thickness space is limited. It is self-contained, the two races and balls being held together as a unit by the outside sleeve.

MOUNTING INSTRUCTIONS:

Enclosed Style T-200RG Ball Thrust Bearing is generally installed so that the race having bore "A" is centered by the shaft and rotates with it. The race with the sleeve attached to it and having clearance bore "A'" seats against a fixed part of the machine and is stationary. If installed in a recess, a clearance of one-eighth inch, or more, should be left around diameter "B" so that if the shaft should wear in its journal bearings, the thrust bearings will be free to follow without cramping or wedging the balls.



Auburn Bearing & Manufacturing T-200RG

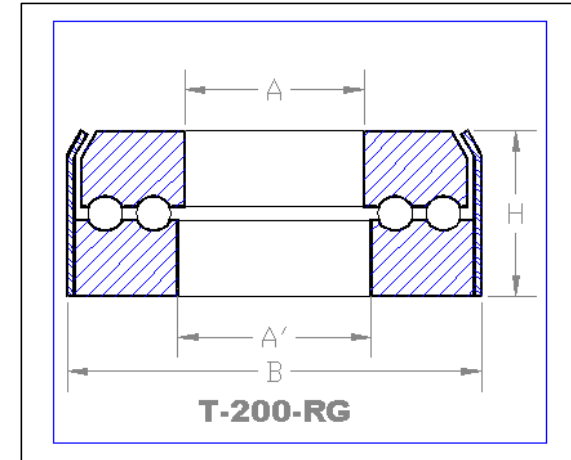


Cwdwtp'Dgctkpi '('O cpwhcewtkpi T-200RG

DIMENSIONS IN INCHES

THRUST LOAD CAPACITY IN LBS. AT VARIOUS SPEEDS

Bearing Number	A Bore	A Tolerance	A' Bore	A' Tolerance -.000	B Outside Diameter	B Tolerance + or -	H Height	H Tolerance + or -	Bearing Weight In Lbs.	5 RPM	25 RPM	100 RPM	300 RPM	500 RPM
DD-1	1	+.001 +.003	1 3/32	+.015	3 1/4	.015	7/8	.005	1.45	16015	9865	6500	4670	4005
DD-2	1 1/2	+.001 +.003	1 17/32	+.015	4	.015	1	.005	2.58	22580	13910	9165	6580	5645
DD-3	2	+.001 +.003	2 1/32	+.015	4 7/8	.031	1 1/8	.005	4.10	30120	18555	12225	8780	7530
DD-4	2 1/2	+.001 +.003	2 17/32	+.015	5 3/4	.031	1 1/4	.005	6.06	37860	23320	15365	11035	9460
DD-5	3	+.001 +.003	3 1/32	+.015	6 3/4	.031	1 3/8	.005	8.83	47000	28950	19075	13700	11750
DD-6	3 1/2	+.002 +.004	3 17/32	+.015	7 3/4	.031	1 1/2	.005	12.30	56115	34570	22775	16360	14025
DD-7	4	+.002 +.004	4 1/32	+.015	8 3/4	.031	1 5/8	.005	16.69	65750	40505	26685	19170	16435
DD-8	4 1/2	+.003 +.007	4 9/16	+.015	9 1/2	.031	1 3/4	.005	20.64	75570	46550	30670	22030	18910
DD-9	5	+.003 +.007	5 1/16	+.015	10 1/4	.031	1 7/8	.005	26.47	85475	52655	34690	24920	21365
DD-10	5 1/2	+.003 +.007	5 9/16	+.015	11 1/4	.031	2 1/4	.005	36.96	106915	65860	43390	31170	26725
DD-11	6	+.003 +.007	6 1/16	+.015	12 1/2	.031	2 1/2	.005	52.51	129585	79825	52590	37780	32395



Auburn Bearing & Manufacturing T-200RG

DIMENSIONS IN INCHES

THRUST LOAD CAPACITY IN LBS. AT VARIOUS SPEEDS

Bearing Number	A Bore	A Tolerance	A' Bore	A' Tolerance -.000	B Outside Diameter	B Tolerance + or -	H Height	H Tolerance + or -	Bearing Weight In Lbs.	5 RPM	25 RPM	100 RPM	300 RPM	500 RPM
DD-12	6 1/2	+.010 +.015	6 9/16	+.015	13 3/4	.031	2 3/4	.005	72.21	153140	94335	62150	44645	38285
402	2	+.001 +.003	2 1/32	+.015	4 1/8	.015	13/16	.005	1.85	19035	11725	7725	5550	4760
504	2 1/4	+.001 +.003	2 9/32	+.015	5 1/4	.031	1	.005	4.10	25145	15490	10205	7330	6290
508	2 1/2	+.001 +.003	2 17/32	+.015	5 1/2	.031	1	.005	3.55	18840	11605	7645	5490	4710
508F	3 11/16	+.002 +.004	3 23/32	+.015	5 1/2	.031	1	.005	3.16	17790	10960	7225	5185	4450
600	2 1/2	+.001 +.003	2 17/32	+.015	6	.031	1 7/8	.005	10.39	49825	30690	20220	14525	12445
1204	5 1/2	+.003 +.007	5 9/16	+.015	12 1/4	.031	2 1/2	.005	55.60	126990	78225	51535	37025	31695