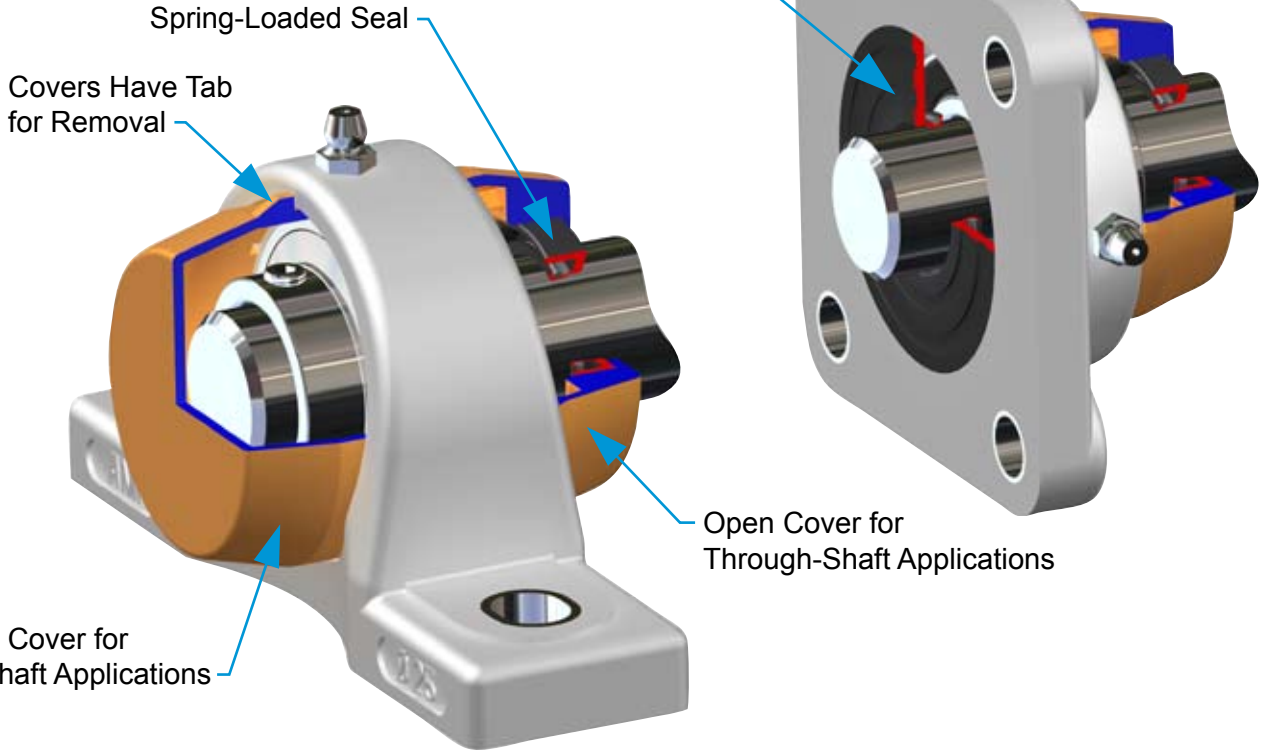


SHUR-SEAL SERIES

The Shur-Seal Bearing Protection System stands up to repeated high-pressure washdown and the steady stream of dry and fine particle contaminants that surround mounted bearings in many of today's plant environments.

Spring-Loaded Back Seal that Sits Flush with the Back of the Housing for 2-Bolt, 3-Bolt & 4-Bolt Flange Housing Styles



SHUR-SEAL

| OPEN COVERS | | |
|-------------|-----------|-------|
| BORE | UNIT # | LIST |
| 1/2 | 204-8OC* | 9.80 |
| 3/4 | 204-12OC* | 9.80 |
| 7/8 | 205-14OC* | 11.70 |
| 15/16 | 205-15OC* | 11.70 |
| 1 | 205-16OC* | 11.70 |
| 1-1/8 | 206-18OC* | 13.30 |
| 1-3/16 | 206-19OC* | 13.30 |
| 1-1/4 | 206-20OC* | 13.30 |
| 1-1/4 | 207-20OC* | 15.50 |
| 1-3/8 | 207-22OC* | 15.50 |
| 1-7/16 | 207-23OC* | 15.50 |
| 1-1/2 | 208-24OC* | 17.10 |
| 20 | 204OC* | 9.80 |
| 25 | 205OC* | 11.70 |
| 30 | 206OC* | 13.30 |
| 35 | 207OC* | 15.50 |
| 40 | 208OC* | 17.10 |
| 45 | 209OC* | 19.80 |
| 50 | 210OC* | 22.40 |

| CLOSED COVERS | | |
|---------------|-------|--|
| UNIT # | LIST | |
| 204CC* | 5.20 | |
| 205CC* | 5.80 | |
| 206CC* | 6.50 | |
| 207CC* | 7.10 | |
| 208CC* | 8.20 | |
| 209CC* | 9.70 | |
| 210CC* | 11.20 | |

| BACK SEALS | | |
|------------|----------|-------|
| BORE | UNIT # | LIST |
| 3/4 | 204BS-12 | 5.30 |
| 7/8 | 205BS-14 | 5.80 |
| 15/16 | 205BS-15 | 5.80 |
| 1 | 205BS-16 | 5.80 |
| 1-1/8 | 206BS-18 | 7.90 |
| 1-3/16 | 206BS-19 | 7.90 |
| 1-1/4 | 206BS-20 | 7.90 |
| 1-1/4 | 207BS-20 | 8.40 |
| 1-3/8 | 207BS-22 | 8.40 |
| 1-7/16 | 207BS-23 | 8.40 |
| 1-1/2 | 208BS-24 | 9.50 |
| 20 | 204BS | 7.40 |
| 25 | 205BS | 9.60 |
| 30 | 206BS | 11.40 |
| 35 | 207BS | 14.30 |
| 40 | 208BS | 16.60 |

**Seals Out Contaminants
Retains Lubrication
Ideal for HACCP Monitored Facilities**

The Shur-Seal system is comprised of any combination of Closed Covers, Open Covers, and Back Seals that integrate with our Thermoplastic Bearing Housings

MUCPPL205-16CW

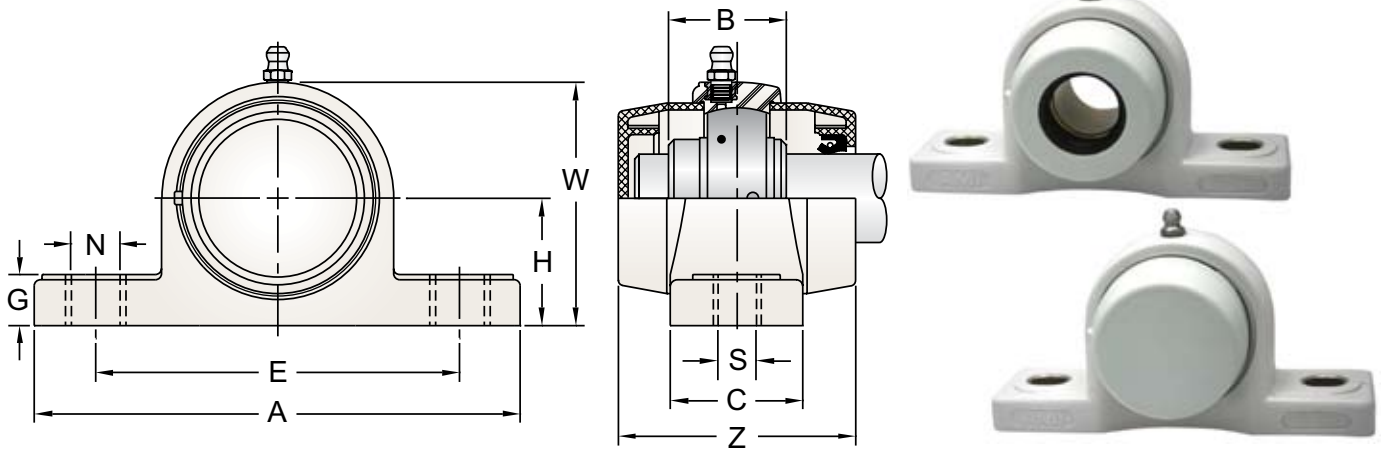
White Housing Material
(Change "W" to "B" for Black)

2 Open Covers
(Change to "CE" for 1 Open & 1 Closed Cover)

C = 2 Open Covers
CE = 1 Closed & 1 Open Cover
W = White Housing
B = Black Housing
OCW = White Cover
OCB = Black Cover
OCO = Orange Cover
BS = Back Seal

NOTE: For 2-Bolt, 3-Bolt and 4-Bolt Flange: 1 Open Cover and Back Seal)

*For Open & Closed Covers please specify one of the following suffixes after the part number: "W" for white cover, "B" for black cover, or "O" for orange cover (Example: 205-16OCW = white open cover)

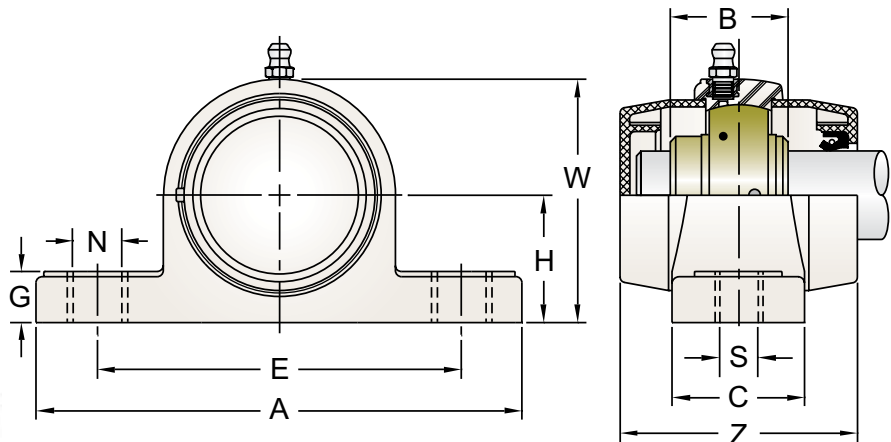


| Shaft Dia. (in.) | AMI Unit # | | List Price | Dimensions (in.) | | | | | | | | | | | Bolt Size (in.) | Bearing # | Housing # | Weight (lb.) |
|------------------|---------------|---------------------------------|------------|------------------|---------|---------|---------|---------|-------|-------|-------|---------|---------|-------|-----------------|-----------|-----------|--------------|
| | 2 Open Covers | 1 Open Cover and 1 Closed Cover | | H | A | E | | C | S | N | G | W | Z | B | | | | |
| | | | | | | Min. | Max. | | | | | | | | | | | |
| 1/2 | MUCPPL201-8C | MUCPPL201-8CE | 219.00 | 1-5/16 | 5 | 3-37/64 | 3-59/64 | 1-1/2 | 7/16 | 35/64 | 9/16 | 2-37/64 | 2-15/32 | 1.220 | 3/8 | MUC201-8 | PPL204 | 0.79 |
| 3/4 | MUCPPL204-12C | MUCPPL204-12CE | | | | | | | | | | | | | | MUC204-12 | | 0.68 |
| 7/8 | MUCPPL205-14C | MUCPPL205-14CE | 239.80 | | | | | | | | | | | | | MUC205-14 | | 0.87 |
| 15/16 | MUCPPL205-15C | MUCPPL205-15CE | 276.30 | 1-7/16 | 5-1/2 | 3-61/64 | 4-19/64 | 1-1/2 | 7/16 | 35/64 | 37/64 | 2-3/4 | 2-41/64 | 1.339 | 3/8 | MUC205-15 | PPL205 | 0.83 |
| 1 | MUCPPL205-16C | MUCPPL205-16CE | 239.80 | | | | | | | | | | | | | MUC205-16 | | 0.79 |
| 1-1/8 | MUCPPL206-18C | MUCPPL206-18CE | | | | | | | | | | | | | | MUC206-18 | | 1.29 |
| 1-3/16 | MUCPPL206-19C | MUCPPL206-19CE | 294.80 | 1-11/16 | 6-3/8 | 4-15/32 | 4-29/32 | 1-13/16 | 35/64 | 23/32 | 45/64 | 3-19/64 | 3-3/32 | 1.500 | 1/2 | MUC206-19 | PPL206 | 1.23 |
| 1-1/4 | MUCPPL206-20C | MUCPPL206-20CE | | | | | | | | | | | | | | MUC206-20 | | 1.17 |
| 1-1/4 | MUCPPL207-20C | MUCPPL207-20CE | 381.00 | | | | | | | | | | | | | MUC207-20 | | 1.87 |
| 1-3/8 | MUCPPL207-22C | MUCPPL207-22CE | 381.00 | 1-7/8 | 6-39/64 | 4-25/32 | 5-7/32 | 1-7/8 | 35/64 | 23/32 | 23/32 | 3-23/32 | 3-7/16 | 1.689 | 1/2 | MUC207-22 | PPL207 | 1.75 |
| 1-7/16 | MUCPPL207-23C | MUCPPL207-23CE | 381.00 | | | | | | | | | | | | | MUC207-23 | | 1.69 |
| 1-1/2 | MUCPPL208-24C | MUCPPL208-24CE | 421.50 | 1-15/16 | 7-1/4 | 5-5/32 | 5-19/32 | 2-1/8 | 35/64 | 23/32 | 25/32 | 3-57/64 | 4-1/16 | 1.937 | 1/2 | MUC208-24 | PPL208 | 2.36 |
| Dimensions (mm) | | | | | | | | | | | | | | | | | | |
| 20 | MUCPPL204C | MUCPPL204CE | 219.00 | 33.3 | 127 | 91 | 99 | 38 | 11 | 14 | 14.2 | 65.5 | 62.6 | 31 | M10 | MUC204 | PPL204 | 0.67 |
| 25 | MUCPPL205C | MUCPPL205CE | 239.80 | 36.5 | 140 | 101 | 109 | 38 | 11 | 14 | 14.5 | 71.0 | 67.0 | 34 | M10 | MUC205 | PPL205 | 0.81 |
| 30 | MUCPPL206C | MUCPPL206CE | 294.80 | 42.9 | 162 | 113 | 125 | 46 | 14 | 18 | 17.8 | 83.7 | 78.6 | 38.1 | M12 | MUC206 | PPL206 | 1.23 |
| 35 | MUCPPL207C | MUCPPL207CE | 381.00 | 47.6 | 168 | 121 | 133 | 48 | 14 | 18 | 18 | 94.5 | 87.5 | 42.9 | M12 | MUC207 | PPL207 | 1.75 |
| 40 | MUCPPL208C | MUCPPL208CE | 421.50 | 49.2 | 184 | 131 | 143 | 54 | 14 | 18 | 19.8 | 98.5 | 103.3 | 49.2 | M12 | MUC208 | PPL208 | 2.28 |
| 45 | MUCPPL209C | MUCPPL209CE | 461.80 | 54.0 | 192 | 142 | 150 | 54 | 17 | 20 | 23 | 106.0 | 109.3 | 49.2 | M16 | MUC209 | PPL209 | 2.50 |
| 50 | MUCPPL210C | MUCPPL210CE | 517.00 | 57.2 | 206 | 155 | 163 | 60 | 17 | 20 | 23 | 114.0 | 120.8 | 51.6 | M16 | MUC210 | PPL210 | 2.99 |

NOTE: For Thermoplastic units please specify one of the following suffixes after the part number: "W" for a white housing or "B" for a black housing. For Shur-Seal units please specify one of the following suffixes after the size: "C" for 2 open covers or "CE" for 1 closed cover and 1 open cover. (Example: MUCPPL205-16CW = White Pillow Block with 2 open covers)
Lubrication fitting Tap Size 1/4-28 UNF

| | | | | | | | |
|----------------------|--------------------|--------------------|-----------------------|-----------------------|-------------------|---------------------|---------------------|
| INTERCHANGES: | CPS-S216ECC | CPS-S216ECO | PB251CTWx1CPCC | PB251CTWx1CPOC | CPB100SSEC | CRPC-PN16ECC | CRPC-PN16ECO |
|----------------------|--------------------|--------------------|-----------------------|-----------------------|-------------------|---------------------|---------------------|

SHUR-SEAL



SHUR-SEAL

| Shaft Dia. (in.) | AMI Unit # | | List Price | Dimensions (in.) | | | | | | | | | | | Bolt Size (in.) | Bearing # | Housing # | Weight (lb.) |
|------------------|-----------------|---------------------------------|------------|------------------|---------|---------|---------|---------|-------|-------|-------|---------|---------|-------|-----------------|-------------|-----------|--------------|
| | 2 Open Covers | 1 Open Cover and 1 Closed Cover | | H | A | E | | C | S | N | G | W | Z | B | | | | |
| | | | | | | Min. | Max. | | | | | | | | | | | |
| 1/2 | UCPPL201-8MZ2C | UCPPL201-8MZ2CE | 113.70 | 1-5/16 | 5 | 3-37/64 | 3-59/64 | 1-1/2 | 7/16 | 35/64 | 9/16 | 2-37/64 | 2-15/32 | 1.220 | 3/8 | UC201-8MZ2 | PPL204 | 0.79 |
| 3/4 | UCPPL204-12MZ2C | UCPPL204-12MZ2CE | | | | | | | | | | | | | | UC204-12MZ2 | | 0.70 |
| 7/8 | UCPPL205-14MZ2C | UCPPL205-14MZ2CE | 123.10 | 1-7/16 | 5-1/2 | 3-61/64 | 4-19/64 | 1-1/2 | 7/16 | 35/64 | 37/64 | 2-3/4 | 2-41/64 | 1.339 | 3/8 | UC205-14MZ2 | PPL205 | 0.89 |
| 1 | UCPPL205-16MZ2C | UCPPL205-16MZ2CE | | | | | | | | | | | | | | UC205-16MZ2 | | 0.81 |
| 1-1/8 | UCPPL206-18MZ2C | UCPPL206-18MZ2CE | | | | | | | | | | | | | | UC206-18MZ2 | | 1.31 |
| 1-3/16 | UCPPL206-19MZ2C | UCPPL206-19MZ2CE | 142.10 | 1-11/16 | 6-3/8 | 4-15/32 | 4-29/32 | 1-13/16 | 35/64 | 23/32 | 45/64 | 3-19/64 | 3-3/32 | 1.500 | 1/2 | UC206-19MZ2 | PPL206 | 1.25 |
| 1-1/4 | UCPPL206-20MZ2C | UCPPL206-20MZ2CE | | | | | | | | | | | | | | UC206-20MZ2 | | 1.21 |
| 1-1/4 | UCPPL207-20MZ2C | UCPPL207-20MZ2CE | | | | | | | | | | | | | | UC207-20MZ2 | | 1.91 |
| 1-3/8 | UCPPL207-22MZ2C | UCPPL207-22MZ2CE | 163.40 | 1-7/8 | 6-39/64 | 4-25/32 | 5-7/32 | 1-7/8 | 35/64 | 23/32 | 23/32 | 3-23/32 | 3-7/16 | 1.689 | 1/2 | UC207-22MZ2 | PPL207 | 1.79 |
| 1-7/16 | UCPPL207-23MZ2C | UCPPL207-23MZ2CE | | | | | | | | | | | | | | UC207-23MZ2 | | 1.71 |
| 1-1/2 | UCPPL208-24MZ2C | UCPPL208-24MZ2CE | 199.80 | 1-15/16 | 7-1/4 | 5-5/32 | 5-19/32 | 2-1/8 | 35/64 | 23/32 | 25/32 | 3-57/64 | 4-1/16 | 1.937 | 1/2 | UC208-24MZ2 | PPL208 | 2.42 |
| Dimensions (mm) | | | | | | | | | | | | | | | | | | |
| 20 | UCPPL204MZ2C | UCPPL204MZ2CE | 113.70 | 33.3 | 127 | 91 | 99 | 38 | 11 | 14 | 14.2 | 65.5 | 62.6 | 31 | M10 | UC204 | PPL204 | 0.68 |
| 25 | UCPPL205MZ2C | UCPPL205MZ2CE | 123.10 | 36.5 | 140 | 101 | 109 | 38 | 11 | 14 | 14.5 | 71.0 | 67.0 | 34 | M10 | UC205 | PPL205 | 0.83 |
| 30 | UCPPL206MZ2C | UCPPL206MZ2CE | 142.10 | 42.9 | 162 | 113 | 125 | 46 | 14 | 18 | 17.8 | 83.7 | 78.6 | 38.1 | M12 | UC206 | PPL206 | 1.25 |
| 35 | UCPPL207MZ2C | UCPPL207MZ2CE | 163.40 | 47.6 | 168 | 121 | 133 | 48 | 14 | 18 | 18 | 94.5 | 87.5 | 42.9 | M12 | UC207 | PPL207 | 1.79 |
| 40 | UCPPL208MZ2C | UCPPL208MZ2CE | 199.80 | 49.2 | 184 | 131 | 143 | 54 | 14 | 18 | 19.8 | 98.5 | 103.3 | 49.2 | M12 | UC208 | PPL208 | 2.32 |
| 45 | UCPPL209MZ2C | UCPPL209MZ2CE | 217.45 | 54.0 | 192 | 142 | 150 | 54 | 17 | 20 | 23 | 106.0 | 109.3 | 49.2 | M16 | UC209 | PPL209 | 2.56 |
| 50 | UCPPL210MZ2C | UCPPL210MZ2CE | 258.75 | 57.2 | 206 | 155 | 163 | 60 | 17 | 20 | 23 | 114.0 | 120.8 | 51.6 | M16 | UC210 | PPL210 | 3.07 |

NOTE: For Thermoplastic units please specify one of the following suffixes after the part number: "W" for a white housing or "B" for a black housing. For Shur-Seal units please specify one of the following suffixes after the size: "C" for 2 open covers or "CE" for 1 closed cover and 1 open cover. (Example: UCPPL205-16MZ2CW = White Pillow Block with 2 open covers)

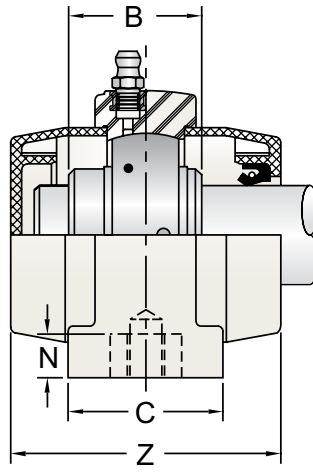
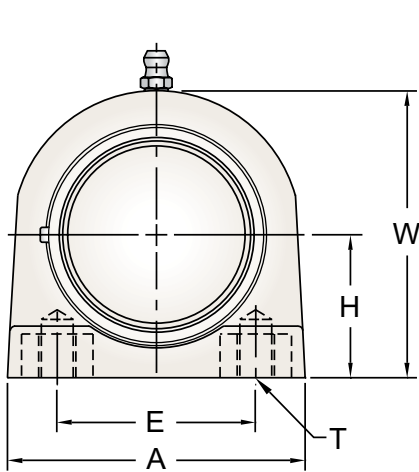
Lubrication fitting Tap Size 1/4-28 UNF

| | | | | | |
|---------------|-------------|-------------|--------------------|--------------------|------------|
| INTERCHANGES: | CPS-Z216ECC | CPS-Z216ECO | P2B-SCEZ-100PCRECC | P2B-SCEZ-100PCRECO | CPB100ZMEC |
|---------------|-------------|-------------|--------------------|--------------------|------------|

TAPPED BASE PILLOW BLOCK UNITS WITH COVERS

Stainless Insert detail-pg. 82 • RF Patent Seal-pg. 90

MUCTBL 200C(CE)



| Shaft Dia. (in.) | AMI Unit # | | List Price | Dimensions (in.) | | | | | | | | Bolt Holes (UNC Thread) T | Bearing # | Housing # | Weight (lb.) |
|------------------|---------------|---------------------------------|------------|------------------|---------|-------|---------|------|---------|---------|-------|---------------------------|-----------|-----------|--------------|
| | 2 Open Covers | 1 Open Cover and 1 Closed Cover | | H | A | E | C | N | W | Z | B | | | | |
| 1/2 | MUCTBL201-8C | MUCTBL201-8CE | 268.55 | 1-5/16 | 2-7/8 | 2 | 1-23/64 | 7/16 | 2-19/32 | 2-33/64 | 1.220 | 3/8-16 | MUC201-8 | TBL204 | 0.73 |
| 3/4 | MUCTBL204-12C | MUCTBL204-12CE | | | | | | | | | | | MUC204-12 | | 0.62 |
| 7/8 | MUCTBL205-14C | MUCTBL205-14CE | 289.05 | 1-7/16 | 3 | 2 | 1-9/16 | 7/16 | 2-57/64 | 2-43/64 | 1.339 | 3/8-16 | MUC205-14 | TBL205 | 0.85 |
| 15/16 | MUCTBL205-15C | MUCTBL205-15CE | | | | | | | | | | | MUC205-15 | | 0.81 |
| 1 | MUCTBL205-16C | MUCTBL205-16CE | | | | | | | | | | | MUC205-16 | | 0.77 |
| 1-1/8 | MUCTBL206-18C | MUCTBL206-18CE | 323.25 | 1-11/16 | 4 | 3 | 1-43/64 | 7/16 | 3-5/16 | 3-9/64 | 1.500 | 7/16-14 | MUC206-18 | TBL206 | 1.23 |
| 1-3/16 | MUCTBL206-19C | MUCTBL206-19CE | | | | | | | | | | | MUC206-19 | | 1.17 |
| 1-1/4 | MUCTBL206-20C | MUCTBL206-20CE | | | | | | | | | | | MUC206-20 | | 1.11 |
| 1-1/4 | MUCTBL207-20C | MUCTBL207-20CE | 394.50 | 1-7/8 | 4-3/8 | 3-1/4 | 1-7/8 | 5/8 | 3-3/4 | 3-27/64 | 1.689 | 1/2-13 | MUC207-20 | TBL207 | 1.84 |
| 1-3/8 | MUCTBL207-22C | MUCTBL207-22CE | | | | | | | | | | | MUC207-22 | | 1.72 |
| 1-7/16 | MUCTBL207-23C | MUCTBL207-23CE | | | | | | | | | | | MUC207-23 | | 1.66 |
| 1-1/2 | MUCTBL208-24C | MUCTBL208-24CE | 414.70 | 1-15/16 | 4-23/32 | 3-1/2 | 1-7/8 | 5/8 | 3-61/64 | 4-1/32 | 1.937 | 1/2-13 | MUC208-24 | TBL208 | 2.22 |
| Dimensions (mm) | | | | | | | | | | | | | | | |
| 20 | MUCTBL204C | MUCTBL204CE | 268.55 | 33.3 | 73 | 50.8 | 34.5 | 11.1 | 66 | 63.8 | 31 | 3/8-16 | MUC204 | TBL204 | 0.62 |
| 25 | MUCTBL205C | MUCTBL205CE | 289.05 | 36.5 | 76.2 | 50.8 | 39.7 | 11.1 | 73.4 | 67.8 | 34 | 3/8-16 | MUC205 | TBL205 | 0.79 |
| 30 | MUCTBL206C | MUCTBL206CE | 323.25 | 42.9 | 101.6 | 76.2 | 42.5 | 11.1 | 84 | 79.8 | 38.1 | 7/16-14 | MUC206 | TBL206 | 1.17 |
| 35 | MUCTBL207C | MUCTBL207CE | 394.50 | 47.6 | 111 | 82.6 | 47.6 | 16.0 | 95 | 87.0 | 42.9 | 1/2-13 | MUC207 | TBL207 | 1.72 |
| 40 | MUCTBL208C | MUCTBL208CE | 414.70 | 49.2 | 120 | 88.9 | 47.6 | 16.0 | 100.4 | 102 | 49.2 | | MUC208 | TBL208 | 2.14 |
| 45 | MUCTBL209C | MUCTBL209CE | 507.70 | 54.0 | 124 | 95.3 | 50 | 19.0 | 108.5 | 109 | 49.2 | | MUC209 | TBL209 | 2.36 |

NOTE: For Thermoplastic units please specify one of the following suffixes after the part number: "W" for a white housing or "B" for a black housing. For Shur-Seal units please specify one of the following suffixes after the size: "C" for 2 open covers or "CE" for 1 closed cover and 1 open cover.

(Example: MUCTBL205-16CW = White Tapped Base Pillow Block with 2 open covers)

Lubrication fitting Tap Size 1/4-28 UNF

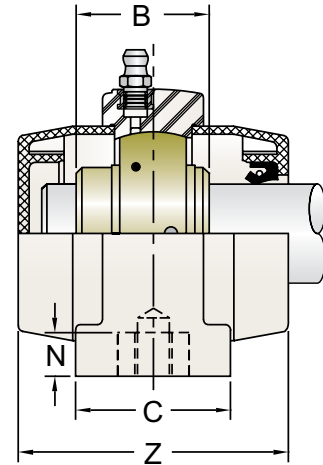
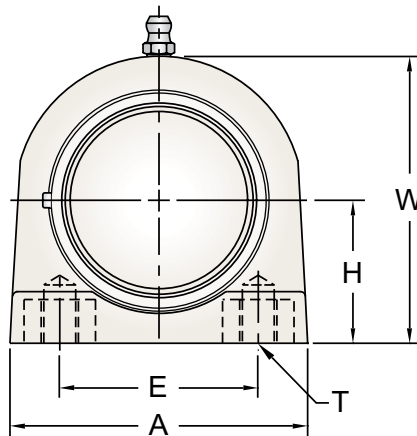
| | | | | | | |
|---------------|--------------|--------------|-----------------|-----------------|---------------|---------------|
| INTERCHANGES: | CTBS-S216ECC | CTBS-S216ECO | TPB250CTWx1CPCC | TPB250CTWx1CPOC | CRTBC-PW16ECC | CRTBC-PW16ECO |
|---------------|--------------|--------------|-----------------|-----------------|---------------|---------------|

SHUR-SEAL

UCTBL 200MZ2C(CE)

TAPPED BASE PILLOW BLOCK UNITS WITH COVERS

Zinc Insert detail-pg. 83 • RF Patent Seal-pg. 90



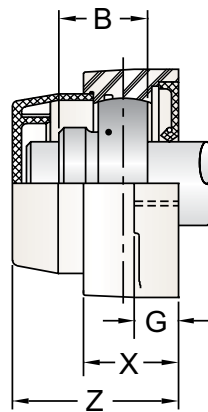
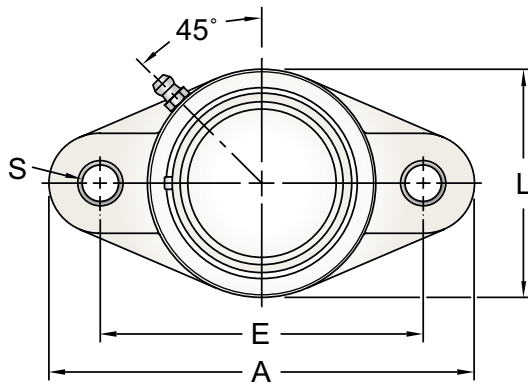
SHUR-SEAL

| Shaft Dia. (in.) | AMI Unit # | | List Price | Dimensions (in.) | | | | | | | | Bolt Holes (UNC Thread) T | Bearing # | Housing # | Weight (lb.) |
|------------------|-----------------|---------------------------------|------------|------------------|-------|-------|---------|------|---------|---------|-------|---------------------------|-------------|-----------|--------------|
| | 2 Open Covers | 1 Open Cover and 1 Closed Cover | | H | A | E | C | N | W | Z | B | | | | |
| 1/2 | UCTBL201-8MZ2C | UCTBL201-8MZ2CE | 148.70 | 1-5/16 | 2-7/8 | 2 | 1-23/64 | 7/16 | 2-19/32 | 2-33/64 | 1.220 | 3/8-16 | UC201-8MZ2 | TBL204 | 0.73 |
| 3/4 | UCTBL204-12MZ2C | UCTBL204-12MZ2CE | | | | | | | | | | | UC204-12MZ2 | | 0.64 |
| 7/8 | UCTBL205-14MZ2C | UCTBL205-14MZ2CE | 169.90 | 1-7/16 | 3 | 2 | 1-9/16 | 7/16 | 2-57/64 | 2-43/64 | 1.339 | 3/8-16 | UC205-14MZ2 | TBL205 | 0.87 |
| 1 | UCTBL205-16MZ2C | UCTBL205-16MZ2CE | | | | | | | | | | | UC205-16MZ2 | | 0.79 |
| 1-1/8 | UCTBL206-18MZ2C | UCTBL206-18MZ2CE | 209.20 | 1-11/16 | 4 | 3 | 1-43/64 | 7/16 | 3-5/16 | 3-9/64 | 1.500 | 7/16-14 | UC206-18MZ2 | TBL206 | 1.25 |
| 1-3/16 | UCTBL206-19MZ2C | UCTBL206-19MZ2CE | | | | | | | | | | | UC206-19MZ2 | | 1.19 |
| 1-1/4 | UCTBL206-20MZ2C | UCTBL206-20MZ2CE | | | | | | | | | | | UC206-20MZ2 | | 1.15 |
| 1-1/4 | UCTBL207-20MZ2C | UCTBL207-20MZ2CE | 212.45 | 1-7/8 | 4-3/8 | 3-1/4 | 1-7/8 | 5/8 | 3-3/4 | 3-27/64 | 1.689 | 1/2-13 | UC207-20MZ2 | TBL207 | 1.88 |
| 1-3/8 | UCTBL207-22MZ2C | UCTBL207-22MZ2CE | | | | | | | | | | | UC207-22MZ2 | | 1.76 |
| 1-7/16 | UCTBL207-23MZ2C | UCTBL207-23MZ2CE | | | | | | | | | | | UC207-23MZ2 | | 1.68 |
| 1-1/2 | UCTBL208-24MZ2C | UCTBL208-24MZ2CE | | | | | | | | | | | UC208-24MZ2 | | 2.28 |
| Dimensions (mm) | | | | | | | | | | | | | | | |
| 20 | UCTBL204MZ2C | UCTBL204MZ2CE | 148.70 | 33.3 | 73 | 50.8 | 34.5 | 11.1 | 66 | 63.8 | 31.0 | 3/8-16 | UC204MZ2 | TBL204 | 0.62 |
| 25 | UCTBL205MZ2C | UCTBL205MZ2CE | 169.90 | 36.5 | 76.2 | 50.8 | 39.7 | 11.1 | 73.4 | 67.8 | 34.0 | 3/8-16 | UC205MZ2 | TBL205 | 0.81 |
| 30 | UCTBL206MZ2C | UCTBL206MZ2CE | 209.20 | 42.9 | 101.6 | 76.2 | 42.5 | 11.1 | 84 | 79.8 | 38.1 | 7/16-14 | UC206MZ2 | TBL206 | 1.19 |
| 35 | UCTBL207MZ2C | UCTBL207MZ2CE | 212.45 | 47.6 | 111 | 82.6 | 47.6 | 16.0 | 95 | 87.0 | 42.9 | 1/2-13 | UC207MZ2 | TBL207 | 1.76 |
| 40 | UCTBL208MZ2C | UCTBL208MZ2CE | 225.10 | 49.2 | 120 | 88.9 | 47.6 | 16.0 | 100.4 | 102 | 49.2 | | UC208MZ2 | TBL208 | 2.18 |
| 45 | UCTBL209MZ2C | UCTBL209MZ2CE | 291.10 | 54.0 | 124 | 95.3 | 50 | 19.0 | 108.5 | 109 | 49.2 | | UC209MZ2 | TBL209 | 2.42 |

NOTE: For Thermoplastic units please specify one of the following suffixes after the part number: "W" for a white housing or "B" for a black housing. For Shur-Seal units please specify one of the following suffixes after the size: "C" for 2 open covers or "CE" for 1 closed cover and 1 open cover. (Example: UCTBL205-16MZ2CW = White Tapped Base Pillow Block with 2 open covers)

Lubrication fitting Tap Size 1/4-28 UNF

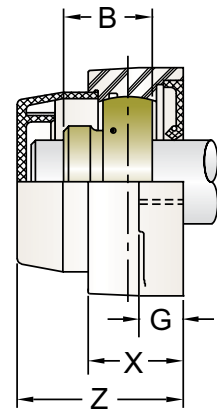
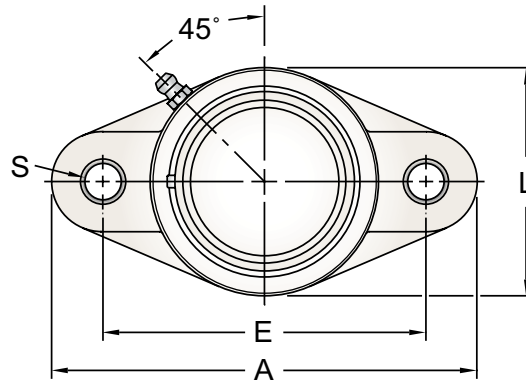
| | | | | |
|---------------|--------------|--------------|-------------------|-------------------|
| INTERCHANGES: | CTBS-Z216ECC | CTBS-Z216ECO | TB-SCEZ-100PCRECC | TB-SCEZ-100PCRECO |
|---------------|--------------|--------------|-------------------|-------------------|



| Shaft Dia. (in.) | AMI Unit # | | List Price | Dimensions (in.) | | | | | | | | Bolt Size (in.) | Bearing # | Housing # | Weight (lb.) |
|------------------|-----------------------------|-------------------------------|------------|------------------|---------|-------|---------|------|--------|---------|-------|-----------------|-----------|-----------|--------------|
| | 1 Open Cover with Back Seal | 1 Closed Cover with Back Seal | | A | E | G | X | S | L | Z | B | | | | |
| 3/4 | MBNFL4-12C | MBNFL4-12CE | 219.00 | 4-7/16 | 3-35/64 | 29/64 | 1-3/64 | 7/16 | 2-1/2 | 1-53/64 | 0.972 | 3/8 | MB4-12 | NFL204 | 0.52 |
| 1 | MBNFL5-16C | MBNFL5-16CE | 239.80 | 5-1/8 | 3-57/64 | 17/32 | 1-9/64 | 7/16 | 2-3/4 | 1-31/32 | 1.063 | | MB5-16 | NFL205 | 0.67 |
| 1-1/4 | MBNFL6-20C | MBNFL6-20CE | 261.50 | 5-13/16 | 4-39/64 | 33/64 | 1-13/64 | 7/16 | 3-5/32 | 2-7/32 | 1.193 | | MB6-20 | NFL206 | 0.90 |
| Dimensions (mm) | | | | | | | | | | | | | | | |
| 20 | MBNFL4C | MBNFL4CE | 219.00 | 112.7 | 90 | 11.4 | 26.5 | 11 | 63.5 | 46.5 | 24.7 | M10 | MB4 | NFL204 | 0.51 |
| 25 | MBNFL5C | MBNFL5CE | 239.80 | 130 | 99 | 13.5 | 29.1 | 11 | 69.9 | 50.1 | 27 | | MB5 | NFL205 | 0.67 |
| 30 | MBNFL6C | MBNFL6CE | 261.50 | 148 | 117 | 13.3 | 30.5 | 11 | 80 | 56.5 | 30.3 | | MB6 | NFL206 | 0.94 |
| 35 | MBNFL7C | MBNFL7CE | 381.00 | 164 | 130 | 16.1 | 32.8 | 13 | 90 | 60.3 | 32.9 | M12 | MB7 | NFL207 | 1.34 |
| 40 | MBNFL8C | MBNFL8CE | 404.10 | 174.6 | 144 | 20 | 37.5 | 14 | 100 | 71.0 | 35.5 | | MB8 | NFL208 | 1.79 |

NOTE: For Thermoplastic units please specify one of the following suffixes after the part number: "W" for a white housing or "B" for a black housing. For Shur-Seal Flange units please specify one of the following suffixes after the size: "C" for 1 open cover or "CE" for 1 closed cover. (Example: MBNFL5-16CW = White Two-Bolt Flange with 1 open cover and Back Seal)
Lubrication fitting Tap Size 1/4-28 UNF

| | | | | | |
|---------------|--------------|--------------|----------------|----------------|------------|
| INTERCHANGES: | CF25-S216ECC | CF25-S216ECO | FB250CTWx1CPCC | FB250CTWx1CPOC | C2F100SSEC |
|---------------|--------------|--------------|----------------|----------------|------------|

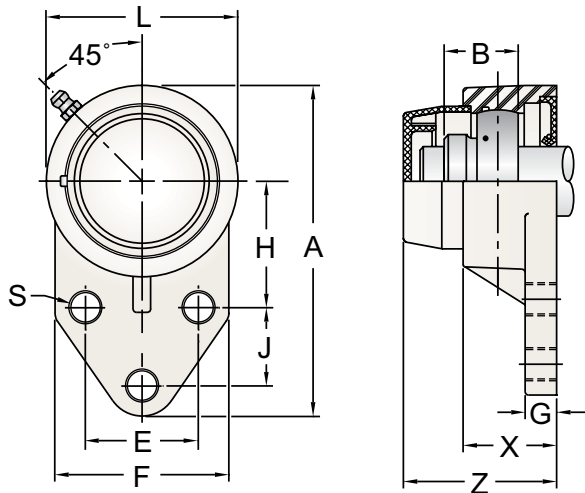


SHUR-SEAL

| Shaft Dia. (in.) | AMI Unit # | | List Price | Dimensions (in.) | | | | | | | | Bolt Size (in.) | Bearing # | Housing # | Weight (lb.) |
|------------------|-----------------------------|-------------------------------|------------|------------------|---------|-------|---------|-------|---------|---------|-------|-----------------|-----------|-----------|--------------|
| | 1 Open Cover with Back Seal | 1 Closed Cover with Back Seal | | A | E | G | X | S | L | Z | B | | | | |
| 3/4 | BNFL4-12MZ2C | BNFL4-12MZ2CE | 113.70 | 4-7/16 | 3-35/64 | 29/64 | 1-3/64 | 7/16 | 2-1/2 | 1-53/64 | 0.972 | 3/8 | B4-12MZ2 | NFL204 | 0.56 |
| 1 | BNFL5-16MZ2C | BNFL5-16MZ2CE | 123.10 | 5-1/8 | 3-57/64 | 17/32 | 1-9/64 | 7/16 | 2-3/4 | 1-31/32 | 1.063 | | B5-16MZ2 | NFL205 | 0.67 |
| 1-1/8 | BNFL6-18MZ2C | BNFL6-18MZ2CE | 142.10 | 5-13/16 | 4-39/64 | 33/64 | 1-13/64 | 7/16 | 3-5/32 | 2-7/32 | 1.193 | 3/8 | B6-18MZ2 | | 0.99 |
| 1-3/16 | BNFL6-19MZ2C | BNFL6-19MZ2CE | | | | | | | | | | | B6-19MZ2 | NFL206 | 0.94 |
| 1-1/4 | BNFL6-20MZ2C | BNFL6-20MZ2CE | | | | | | | | | | | B6-20MZ2 | | 0.90 |
| 1-1/4 | BNFL7-20MZ2C | BNFL7-20MZ2CE | | | | | | | | | | | B7-20MZ2 | | 1.47 |
| 1-3/8 | BNFL7-22MZ2C | BNFL7-22MZ2CE | 163.40 | 6-7/16 | 5-1/8 | 41/64 | 1-19/64 | 33/64 | 3-35/64 | 2-3/8 | 1.295 | 1/2 | B7-22MZ2 | NFL207 | 1.36 |
| 1-7/16 | BNFL7-23MZ2C | BNFL7-23MZ2CE | | | | | | | | | | | B7-23MZ2 | | 1.32 |
| 1-1/2 | BNFL8-24MZ2C | BNFL8-24MZ2CE | 199.75 | 6-7/8 | 5-43/64 | 25/32 | 1-31/64 | 35/64 | 3-15/16 | 2-51/64 | 1.397 | 1/2 | B8-24MZ2 | NFL208 | 1.88 |

NOTE: For Thermoplastic units please specify one of the following suffixes after the part number: "W" for a white housing or "B" for a black housing. For Shur-Seal Flange units please specify one of the following suffixes after the size: "C" for 1 open cover or "CE" for 1 closed cover. (Example: BNFL5-16MZ2CW = White Two-Bolt Flange with 1 open cover and Back Seal)
Lubrication fitting Tap Size 1/4-28 UNF

| | | | | | |
|----------------------|---------------------|---------------------|---------------------------|---------------------------|----------------------|
| INTERCHANGES: | CF2S-Z216ECC | CF2S-Z216ECO | F2B-SCEZ-100PCRECC | F2B-SCEZ-100PCRECO | |
| | KFX-S216DC | KFX-S216D | C2F100ZMEC | CRFTC-PW16ECC | CRFTC-PW16ECO |

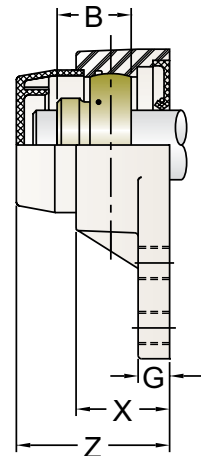
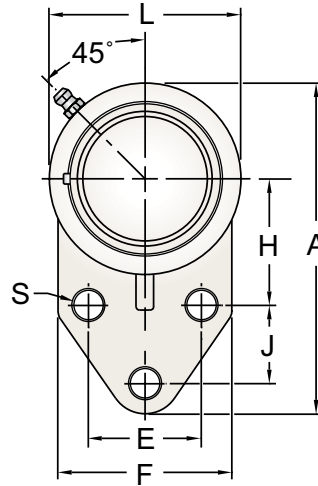


SHUR-SEAL

| Shaft Dia. (in.) | AMI Unit # | | List Price | Dimensions (in.) | | | | | | | | | | | Bolt Size (in.) | Bearing # | Housing # | Weight (lb.) |
|------------------|-----------------------------|-------------------------------|------------|------------------|---------|-------|-------|-------|---------|-------|-------|--------|---------|-------|-----------------|-----------|-----------|--------------|
| | 1 Open Cover with Back Seal | 1 Closed Cover with Back Seal | | A | H | E | J | G | X | S | L | F | Z | B | | | | |
| 3/4 | MBFBL4-12C | MBFBL4-12CE | 208.70 | 4-1/4 | 1-11/16 | 1-1/2 | 7/8 | 29/64 | 1 | 27/64 | 2-1/2 | 2-7/16 | 1-25/32 | 0.972 | | MB4-12 | FBL204 | 0.56 |
| 1 | MBFBL5-16C | MBFBL5-16CE | 261.80 | 4-3/4 | 1-13/16 | 1-5/8 | 1-1/8 | 29/64 | 1-11/32 | 27/64 | 2-3/4 | 2-1/2 | 2-11/64 | 1.063 | 3/8 | MB5-16 | FBL205 | 0.69 |
| 1-1/4 | MBFBL6-20C | MBFBL6-20CE | 265.60 | 5-29/64 | 2-1/16 | 1-7/8 | 1-1/4 | 33/64 | 1-1/4 | 27/64 | 3-1/4 | 3 | 2-9/32 | 1.193 | | MB6-20 | FBL206 | 1.00 |
| Dimensions (mm) | | | | | | | | | | | | | | | | | | |
| 20 | MBFBL4C | MBFBL4CE | 208.70 | 108 | 42.9 | 38.1 | 22.2 | 11.4 | 25.4 | 10.7 | 63.5 | 62 | 45.4 | 24.7 | | MB4 | FBL204 | 0.52 |
| 25 | MBFBL5C | MBFBL5CE | 261.80 | 120.6 | 46 | 41.3 | 28.6 | 11.4 | 34 | 10.7 | 70 | 63.5 | 55.1 | 27 | M10 | MB5 | FBL205 | 0.69 |
| 30 | MBFBL6C | MBFBL6CE | 265.60 | 138.5 | 52.4 | 47.6 | 31.8 | 13.3 | 31.8 | 10.7 | 83 | 76 | 57.8 | 30.3 | | MB6 | FBL206 | 1.04 |
| 35 | MBFBL7C | MBFBL7CE | 296.00 | 157 | 60.3 | 50.8 | 31.8 | 16.1 | 36.5 | 13.1 | 95 | 89 | 64.0 | 32.9 | M12 | MB7 | FBL207 | 1.50 |

NOTE: For Thermoplastic units please specify one of the following suffixes after the part number: "W" for a white housing or "B" for a black housing. For Shur-Seal Flange units please specify one of the following suffixes after the size: "C" for 1 open cover or "CE" for 1 closed cover. (Example: MBFBL5-16CW = White Three-Bolt Flange with 1 open cover and Back Seal)
Lubrication fitting Tap Size 1/4-28 UNF

INTERCHANGES: AMI EXCLUSIVE

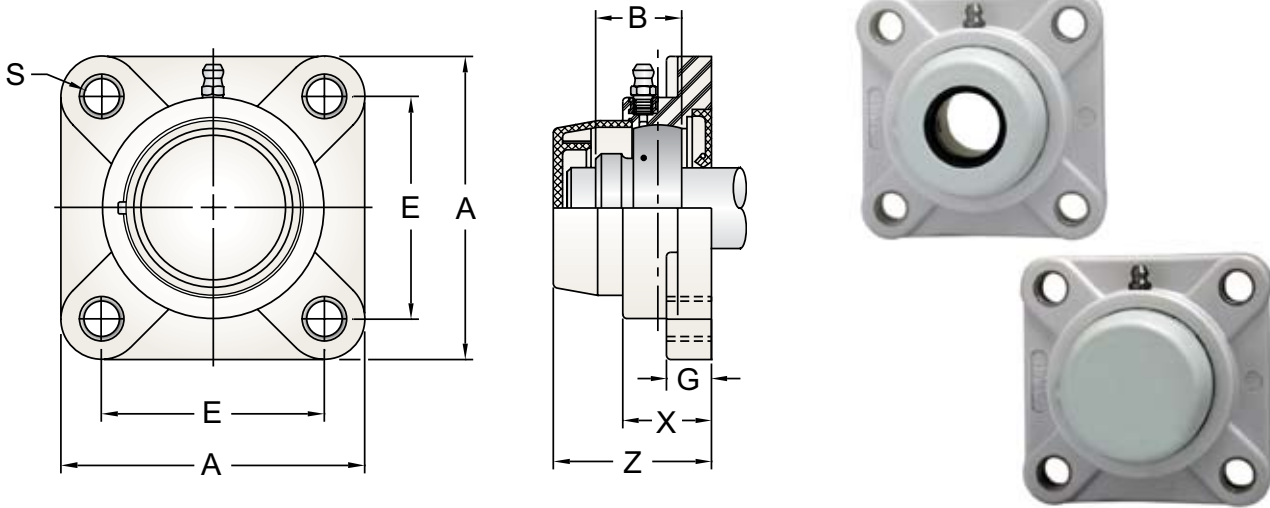


SHUR-SEAL

| Shaft Dia. (in.) | AMI Unit # | | List Price | Dimensions (in.) | | | | | | | | | | | Bolt Size (in.) | Bearing # | Housing # | Weight (lb.) |
|------------------|-----------------------------|-------------------------------|------------|------------------|---------|-------|-------|-------|---------|-------|-------|--------|---------|-------|-----------------|-----------|-----------|--------------|
| | 1 Open Cover with Back Seal | 1 Closed Cover with Back Seal | | A | H | E | J | G | X | S | L | F | Z | B | | | | |
| 3/4 | BFBL4-12MZ2C | BFBL4-12MZ2CE | 112.60 | 4-1/4 | 1-11/16 | 1-1/2 | 7/8 | 29/64 | 1 | 27/64 | 2-1/2 | 2-7/16 | 1-25/32 | 0.972 | 3/8 | B4-12MZ2 | FBL204 | 0.58 |
| 1 | BFBL5-16MZ2C | BFBL5-16MZ2CE | 123.60 | 4-3/4 | 1-13/16 | 1-5/8 | 1-1/8 | 29/64 | 1-11/32 | 27/64 | 2-3/4 | 2-1/2 | 2-11/64 | 1.063 | 3/8 | B5-16MZ2 | FBL205 | 0.69 |
| 1-1/8 | BFBL6-18MZ2C | BFBL6-18MZ2CE | | | | | | | | | | | | | | B6-18MZ2 | | 1.09 |
| 1-3/16 | BFBL6-19MZ2C | BFBL6-19MZ2CE | 130.35 | 5-29/64 | 2-1/16 | 1-7/8 | 1-1/4 | 33/64 | 1-1/4 | 27/64 | 3-1/4 | 3 | 2-9/32 | 1.193 | 3/8 | B6-19MZ2 | FBL206 | 1.04 |
| 1-1/4 | BFBL6-20MZ2C | BFBL6-20MZ2CE | | | | | | | | | | | | | | B6-20MZ2 | | 1.00 |
| 1-1/4 | BFBL7-20MZ2C | BFBL7-20MZ2CE | | | | | | | | | | | | | | B7-20MZ2 | | 1.63 |
| 1-3/8 | BFBL7-22MZ2C | BFBL7-22MZ2CE | 157.45 | 6-3/16 | 2-3/8 | 2 | 1-1/4 | 41/64 | 1-7/16 | 33/64 | 3-3/4 | 3-1/2 | 2-33/64 | 1.296 | 1/2 | B7-22MZ2 | FBL207 | 1.52 |
| 1-7/16 | BFBL7-23MZ2C | BFBL7-23MZ2CE | | | | | | | | | | | | | | B7-23MZ2 | | 1.48 |

NOTE: For Thermoplastic units please specify one of the following suffixes after the part number: "W" for a white housing or "B" for a black housing. For Shur-Seal Flange units please specify one of the following suffixes after the size: "C" for 1 open cover or "CE" for 1 closed cover. (Example: BFBL5-16MZ2CW = White Three-Bolt Flange with 1 open cover and Back Seal)
Lubrication fitting Tap Size 1/4-28 UNF

INTERCHANGES: FB-SCEZ-100PCRECC | FB-SCEZ-100PCRECO

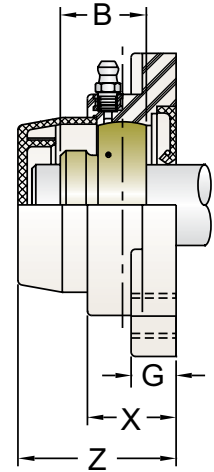
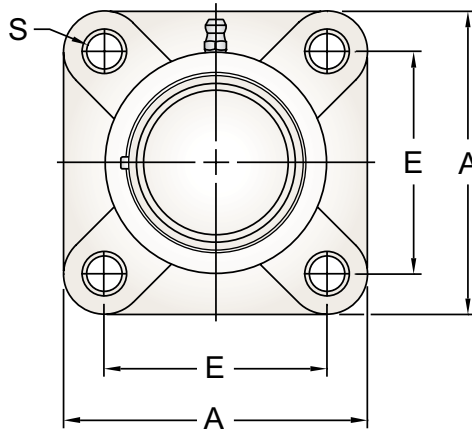


| Shaft Dia. (in.) | AMI Unit # | | List Price | Dimensions (in.) | | | | | | | Bolt Size (in.) | Bearing # | Housing # | Weight (lb.) |
|------------------|-----------------------------|-------------------------------|------------|------------------|-------|-------|--------|------|---------|-------|-----------------|-----------|-----------|--------------|
| | 1 Open Cover with Back Seal | 1 Closed Cover with Back Seal | | A | E | G | X | S | Z | B | | | | |
| 3/4 | MBFPL4-12C | MBFPL4-12CE | 219.00 | 3-3/8 | 2-1/2 | 17/32 | 1-3/32 | 7/16 | 1-7/8 | 0.972 | 3/8 | MB4-12 | FPL204 | 0.66 |
| 1 | MBFPL5-16C | MBFPL5-16CE | 239.80 | 3-3/4 | 2-3/4 | 9/16 | 1-7/64 | 7/16 | 1-59/64 | 1.063 | | MB5-16 | FPL205 | 0.77 |
| 1-1/4 | MBFPL6-20C | MBFPL6-20CE | 261.50 | 4-1/4 | 3-1/4 | 9/16 | 1-1/4 | 7/16 | 2-9/32 | 1.193 | | MB6-20 | FPL206 | 1.06 |
| Dimensions (mm) | | | | | | | | | | | | | | |
| 20 | MBFPL4C | MBFPL4CE | 219.00 | 86 | 63.5 | 13.4 | 27.8 | 11 | 47.8 | 24.7 | M10 | MB4 | FPL204 | 0.63 |
| 25 | MBFPL5C | MBFPL5CE | 239.80 | 95 | 70 | 14.3 | 28.0 | 11 | 49.0 | 27.0 | | MB5 | FPL205 | 0.77 |
| 30 | MBFPL6C | MBFPL6CE | 261.50 | 108 | 83 | 14.3 | 31.7 | 11 | 57.8 | 30.3 | | MB6 | FPL206 | 1.10 |
| 35 | MBFPL7C | MBFPL7CE | 381.00 | 118 | 92 | 15.5 | 34.8 | 13 | 62.3 | 32.9 | M12 | MB7 | FPL207 | 1.56 |
| 40 | MBFPL8C | MBFPL8CE | 404.10 | 130 | 102 | 17.0 | 37.5 | 14 | 71.0 | 35.5 | | MB8 | FPL208 | 2.03 |

NOTE: For Thermoplastic units please specify one of the following suffixes after the part number: "W" for a white housing or "B" for a black housing. For Shur-Seal Flange units please specify one of the following suffixes after the size: "C" for 1 open cover or "CE" for 1 closed cover. (Example: MBFPL5-16CW = White Four-Bolt Flange with 1 open cover and Back Seal)
Lubrication fitting Tap Size 1/4-28 UNF

| | | | | | |
|----------------------|---------------------|---------------------|-----------------------|-----------------------|-------------------|
| INTERCHANGES: | C4FS-S216ECC | C4FS-S216ECO | FB250CTWx1CPCC | FB250CTWx1CPOC | C4F100SSEC |
|----------------------|---------------------|---------------------|-----------------------|-----------------------|-------------------|

SHUR-SEAL



SHUR-SEAL

| Shaft Dia. (in.) | AMI Unit # | | List Price | Dimensions (in.) | | | | | | | Bolt Size (in.) | Bearing # | Housing # | Weight (lb.) |
|------------------|-----------------------------|-------------------------------|------------|------------------|-------|-------|---------|-------|---------|-------|-----------------|-----------|-----------|--------------|
| | 1 Open Cover with Back Seal | 1 Closed Cover with Back Seal | | A | E | G | X | S | Z | B | | | | |
| 3/4 | BFPL4-12MZ2C | BFPL4-12MZ2CE | 113.70 | 3-3/8 | 2-1/2 | 17/32 | 1-3/32 | 7/16 | 1-7/8 | 0.972 | 3/8 | B4-12MZ2 | FPL204 | 0.68 |
| | BFPL5-16MZ2C | BFPL5-16MZ2CE | 123.10 | 3-3/4 | 2-3/4 | 9/16 | 1-7/64 | 7/16 | 1-59/64 | 1.063 | | B5-16MZ2 | FPL205 | 0.77 |
| 1-1/8 | BFPL6-18MZ2C | BFPL6-18MZ2CE | 142.10 | 4-1/4 | 3-1/4 | 9/16 | 1-1/4 | 7/16 | 2-9/32 | 1.193 | 3/8 | B6-18MZ2 | FPL206 | 1.15 |
| 1-3/16 | BFPL6-19MZ2C | BFPL6-19MZ2CE | | | | | | | | | | B6-19MZ2 | | 1.10 |
| 1-1/4 | BFPL6-20MZ2C | BFPL6-20MZ2CE | | | | | | | | | | B6-20MZ2 | | 1.06 |
| 1-1/4 | BFPL7-20MZ2C | BFPL7-20MZ2CE | | | | | | | | | | B7-20MZ2 | | 1.69 |
| 1-3/8 | BFPL7-22MZ2C | BFPL7-22MZ2CE | 163.35 | 4-5/8 | 3-5/8 | 39/64 | 1-3/8 | 33/64 | 2-29/64 | 1.295 | 1/2 | B7-22MZ2 | FPL207 | 1.58 |
| 1-7/16 | BFPL7-23MZ2C | BFPL7-23MZ2CE | 199.75 | 5-1/8 | 4 | 43/64 | 1-15/32 | 35/64 | 2-51/64 | 1.397 | 1/2 | B7-23MZ2 | FPL208 | 1.54 |
| 1-1/2 | BFPL8-24MZ2C | BFPL8-24MZ2CE | | | | | | | | | | B8-24MZ2 | | 2.12 |

NOTE: For Thermoplastic units please specify one of the following suffixes after the part number: "W" for a white housing or "B" for a black housing.

For Shur-Seal Flange units please specify one of the following suffixes after the size: "C" for 1 open cover or "CE" for 1 closed cover.

(Example: BFPL5-16MZ2CW = White Four-Bolt Flange with 1 open cover and Back Seal)

Lubrication fitting Tap Size 1/4-28 UNF

INTERCHANGES: C4FS-Z216ECC C4FS-Z216ECO F4B-SCEZ-100PCRECC F4B-SCEZ-100PCRECO
 KF-S216DC KF-S216D CRFC-PW16ECC CRFC-PW16ECO