



# Bearing Cross Reference Guide



Ball • Wide Inner Ring • Disc Harrow • Roller • Tapered Roller  
Needle Roller • Thrust • Cam Follower • Housed Units • Flangettes





# Table of Contents

DESCRIPTION	PAGE NO.
<b>Introduction</b>	
Overview. . . . .	3
User Guide . . . . .	5
Bearing Characteristics . . . . .	6
Bearing Terminology. . . . .	9
<b>Section A – Ball Bearings</b>	
Introduction . . . . .	11
Cylindrical Ball Bearings. . . . .	13
Spherical Ball Bearings . . . . .	20
<b>Section B – Wide Inner Ring Bearings</b>	
Introduction . . . . .	22
Wide Inner Ring Bearings - Cylindrical . . . . .	23
Wide Inner Ring Bearings - Spherical . . . . .	25
<b>Section C – Disc Harrow Bearings</b>	
Introduction . . . . .	28
Disc Harrow Bearings - Cylindrical . . . . .	30
Disc Harrow Bearings - Spherical . . . . .	31
<b>Section D – Radial Roller Bearings</b>	
Introduction . . . . .	32
Radial Roller Bearings - Cylindrical . . . . .	34
Radial Roller Bearings - Spherical. . . . .	35
<b>Section E – Tapered Roller Bearings</b>	
Introduction . . . . .	36
Tapered Roller Bearings Cones . . . . .	38
Tapered Roller Bearings Cups. . . . .	46
Cups and Cones Interchange Bearings . . . . .	52
Tapered Assembly Interchange Bearings . . . . .	66
<b>Section F – Needle Roller Bearings</b>	
Introduction . . . . .	69
Needle Roller Bearings . . . . .	71
<b>Section G – Thrust Bearings</b>	
Introduction . . . . .	74
Thrust Bearings . . . . .	76

# Table of Contents

---

DESCRIPTION	PAGE NO.
<b>Section H – Cam Follower Bearings</b>	
Introduction . . . . .	.78
Cam Follower Bearings . . . . .	.80
<b>Section I – Housed Units</b>	
Introduction . . . . .	.81
Pillow Blocks / Cast Iron . . . . .	.83
Two Bolt / Cast Iron . . . . .	.84
Three Bolt / Cast Iron . . . . .	.85
Four Bolt / Cast Iron . . . . .	.86
<b>Section J – Flangettes</b>	
Introduction . . . . .	.87
Two Bolt / Pressed Steel . . . . .	.89
Three Bolt / Pressed Steel. . . . .	.90
Four Bolt / Pressed Steel . . . . .	.91
Six & Eight Bolt / Pressed Steel . . . . .	.92
<b>Section K – Interchange Data</b>	
Introduction . . . . .	.93
Ball Bearings . . . . .	.94
Disc Harrow Bearings . . . . .	.96
Roller Bearings . . . . .	.97
Housed Units . . . . .	.98
<b>Index</b>	
Listed in Ascending Order by AGCO Part No. . . . .	100
Listed in Ascending Order by Manufacturer Part No. . . . .	112



# Overview

## ■ AGCO® Bearing Cross-Reference Guide

This cross-reference guide is intended to help you identify additional market opportunities for the AGCO bearings you already purchase and stock.

Many of these OEM bearings have other off-road applications but, without this guide, you had no easy way to identify those other applications. In addition, AGCO's unique history has led to having multiple part numbers for the same bearing, with no easy way to identify these duplicated products. This guide changes all that.

Ultimately, you will be better able to serve your customers' needs when you are able to identify an AGCO part number for any unidentified bearing that a customer might bring to you. Even better, imagine your customer's delight when you are able to identify and locate a replacement bearing for them on-the-spot, right from your own inventory.

## ■ Introduction

This guide has been arranged to give you ideas on how to best use the guide and includes helpful information on bearing types and terminology. In addition, each section adds a detailed bearing illustration for easy identification.

- **User Guide** – Detailed information on how to search for a part number based on all available information.
- **Bearing Characteristics** – Illustrations accompany general information on features and applications for each of the main bearing categories: Ball (including Single Row and Wide Inner Ring), Roller (including Tapered and Needle), Thrust, Cam Follower, Flangettes and Housed Units.
- **Terminology** – Every product has its unique descriptions and phrases. Bearings are no different. Terms are listed in alphabetical order for easy reference.
- **Index** – The Indexes are listed by AGCO Part Number and Manufacturer Part Number in ascending order to reveal the page or pages on which a particular bearing appears.

# Overview continued

---

## ■ Bearing Product Sections A - K

Each section includes two parts: an Introduction and a listing by Interior Diameter. (Some sections include additional information. Tapered Roller Bearings, for example, includes a Cups and Cones Interchange.)

- **Introduction** – An example of a commonly used Manufacturer Part Number for the category is illustrated to show how the sequence of numbers and letters represent different features and dimensions for a particular bearing.
- **Bearing Number Explanation** – Serves as a key for identifying the information contained in each Manufacturer Part Number.
- **Identifying Differences or Advantages** – A brief overview of the particular features or advantages of each product. A small change in the race design or even a special finish can affect a product's functionality. This section will note and explain any such features.
- **Understanding the Bearing Page Layout** – A brief explanation of the column layout for the Part Number listings that follow. There are changes from one section to another. However, some features are maintained from section to section: each is accompanied by an illustration because each section has been organized slightly differently.

## ■ This Cross-Reference Guide does not replace the value of AGCO OEM bearings

It gives you the information you need to tap into the bearing aftermarket, allowing you to compete with aftermarket distributors using AGCO bearings you may already have in inventory or can obtain from an AGCO Parts Distribution Center.

# User Guide

---

## ■ How to Search for a Bearing

There are a number of different ways to search for a bearing, depending on what you know going into the search. A few examples are listed here to help illustrate these ways.

### **Search by Manufacturer Part Number**

The Manufacturer Part Number is the best way to ensure that the features and dimensions will remain the same in the new bearing.

- **Index Search** – The Index lists the Manufacturer Part Number in ascending order for each bearing and housing within this guide. Page numbers are referenced for locating the bearing.

### **Search by the Bearing Dimensions**

Sometimes you will not have a Manufacturer Part Number because it has been rubbed off the bearing or otherwise is missing. In this case, as long as you have the bearing, you can search based on its dimensions. In this case, you would go directly to the product section and look for the Interior Diameter listing. Two bearings that are dimensionally the same can vary regarding their features, internal construction and lubrication.

*Note: Selecting a bearing based only on dimensional characteristics is not advised.*

## ■ Additional Sections

Two sections have been included to make this guide even more valuable.

- **Tapered Roller Bearings**

The Cups and Cones Interchange Section provides a reference for Cups and Cones to be interchanged with one another within the same group. The Cup and Cone sections have a group number listed for each bearing. This group number is noted in the interchange section to allow any cup in a given group to be used with another cone within the same group.

- **Interchange Data**

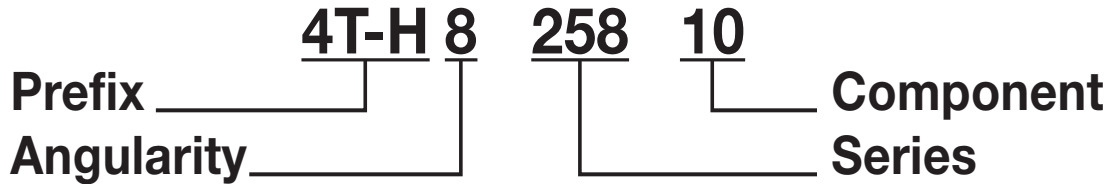
This section attempts to give you a way to identify bearings not listed in this guide, allowing you to cross almost any bearing to an AGCO Part Number, when possible.

# User Guide

## Bearing Characteristics

### ■ Manufacturer Part Number Information

A Manufacturer Part Number describes many details of a bearing, including features, sizes, and lubrication. Each section throughout this guide gives an example of how to read a number. The following example is taken from the Tapered Roller Bearing Section.



Prefix		Angularity		Series		Component
<b>NTN</b>		<b>No.</b>	<b>Cup Angle</b>	<b>No.</b>	<b>Interior Diameter (inches)</b>	Cup: 10 to 19 Cone: 30 to 49
4T	Case hardened	1	0° to 23.9°	00 - 19	.0 to 1"	
<b>Timken</b>	<b>Koyo</b>	2	24° to 25.49°	000 - 029	1.01" to 2"	
J	Metric bore	4	27° to 28.49°	039 - 129	2.01" to 3"	
L	Light	5	28.5° to 30.49°	130 - 189	3.01" to 4"	
LM	Light-medium	6	30.5° to 32.49°	190 - 239	4.01" to 5"	
M	Medium	7	32.5° to 35.9°	240 - 289	5.01" to 6"	
H	Heavy	8	36° to 44.9°			
HM	Heavy-medium	9	45° to not thrust only			
HH	Heavier than heavy	0	Thrust bearing			

- **Prefix: 4T-H** identifies that the bearing is case hardened for demanding applications. It is manufactured by NTN and is classified as Heavy.
- **Angularity:** The number 8 indicates an angularity range of 36° to 44.9° (outer race and rollers placed at this angle). The increase in angularity will allow for more thrust (side-to-side) loads to be applied while decreasing the capacity for radial (up and down) loads.
- **Series:** The 258 Series indicates an interior diameter range of 5.01" to 6".
- **Component:** The 10 identifies this as a cup bearing.

### ■ Manufacturer Names

Manufacturer names are listed with prefixes and suffixes that are the most common. However, there may be other manufacturers for any specific bearing prefix or suffix that are not listed here.



# User Guide

## Bearing Characteristics



A Single Row Ball Bearing is the most commonly used bearing in the agricultural industry. The continuous race and the close tolerances between the bore, outside diameter, and width makes the Ball Bearing ideal for light to medium duty loads combined with high rotational speeds.



A Wide Inner Ring Ball Bearing has an internal design that is basically the same as a Single Row Ball Bearing. The inner ring is extended to supply additional shaft support and is locked to the shaft by set screws or an eccentric self-locking collar. Wide inner ring bearings are available in cylindrical (straight O.D.), spherical (round O.D) and re-lubricatable versions.



A Roller Bearing uses cylindrical-shaped rollers to provide a large contact surface area. The inner and outer raceways allow for a Roller Bearing to handle heavy radial loads at low speeds.



A Tapered Roller Bearing combines an inner cone with an outer race. This simple design allows the rollers from the cone to meet the outer race at a specific angle to allow for high radial and single direction thrust loads.



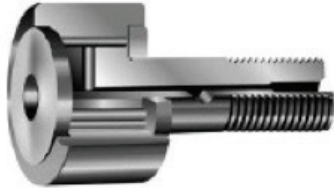
A Needle Roller Bearing is designed for maximum load-carrying capacity with the smallest possible cross-sectional area. This bearing is ideal for use in transmissions, pumps, and a number of other agricultural and construction applications.

# User Guide

## Bearing Characteristics



A Thrust Bearing is designed to handle only thrust (side-to-side) load applications. Depending on application, the Thrust Bearing is available with two different roller elements: cylindrical rollers or balls. A Ball Thrust bearing is able to rotate at a high speed, but handles less load when compared to a Roller Thrust bearing. A Roller Thrust bearing, on the other hand, is able to handle higher thrust loads but rotates slower due to the increased contact area.



A Cam Follower Bearing is available in a number of design options to fit the application. Mounting options such as threaded stud, reinforced stud strengths and corrosion resistance helps extend bearing life.



A Flangette used in agricultural applications is available with a zinc plate finish in a clear or yellow chromate to prevent corrosion. The surface contact between the Flangette and the bearing is essential to the life of the assembly.



A Housed Unit is commonly made with cast iron but other metals and nonmetallic materials are also used. The tough housing protects the wide inner ring bearing from abrasive and corrosive materials for maximum performance.

# Bearing Terminology

---

**Axial:** In the same direction as the axis of the shaft. Also referred to as Thrust. American Bearings Manufacturers Association: (ABMA) The purpose of ABMA is to define national and international standards for bearing products and maintain bearing industry statistics.

**Ball Bearing:** A bearing using balls as the rolling elements.

**Cage:** The bearing cage is a device used to separate the rolling elements of a bearing. Also referred to as retainer.

**Cone:** Inner ring of a tapered roller bearing.

**Conrad:** Standard single row deep-groove bearing named for the inventor of its assembly method, Joseph Conrad.

**Contact Angle:** Formed by a line drawn between the areas of ball and ring contact and a line perpendicular to the bearing axis.

**External Race:** The ball path on an inner ring. See also Inner Raceway, Inner Ring Raceway.

**Full Complement Bearing:** Roller bearing without a cage in which the sum of clearances between the rolling elements in each row is less than the diameter of the rolling elements and small enough to function properly.

**Housing, Bearing:** The opening in which a bearing is contained in a machine.

**Inch Dimension Bearing:** A bearing having boundary dimensions made to integral and/or fractional inch figures rather than metric figures.

**Inner Ring:** The inner part of a bearing that fits on a shaft and contains the external raceway for the rolling elements. Sometimes the shaft is stationary and the housing rotates.

**Inner Ring Raceway:** The ball path on an inner ring. See also External Race.

**Internal Clearance:** The amount by which the inner ring can be moved in a radial direction from one extreme position to the other in relation to the outer ring. See also Radial Clearance.

**Interior Diameter:** The smallest internal dimension of an inner or outer ring or a separator. The surface of the inner ring fits against the shaft. Also referred to as Bore or I.D.

**Internal Race:** The ball or roller path on the bore of the outer ring. Also called Outer Ring Raceway, Outer Raceway.

**Locking Collar, Concentric:** Ring fitting over extended inner ring of insert bearing and having setscrews, which pass through holes in inner ring to make contact with shaft.

**Locking Collar, Self:** Ring having recess on one side that is eccentric in relation to the bore and fits over an equally eccentric extension of inner ring insert bearing. The collar is turned in relation to the inner ring until it locks and is then secured to the shaft by tightening the setscrews.

**Maximum Capacity Bearing:** A bearing with filling notches that allow loading the maximum number of balls.

**Outside Diameter:** The diameter as measured to capture the outer most diameter of the bearing. Also referred to as Outer Diameter or O.D.

**Outer Ring:** The outer part of a bearing that fits into the housing and contains the internal raceway for the rolling elements.

**Prelubricated Bearing:** A shielded, sealed, or open bearing originally lubricated by the manufacturer. Also referred to as Prelube.

**Raceway:** The ball or roller path; cut in the inner and outer ring to which the balls or rollers ride. Also referred to as Guide Path; Race; Ball Path; Roller Path.

# Bearing Terminology

---

**Radial Clearance:** The radial internal clearance of a single row radial contact ball bearing. This is equal to the average outer ring race diameter, minus the average inner ring race diameter, minus twice the ball diameter.

**Radial Load:** A load exerted perpendicular to the axis.

**Radial Type Bearing:** In general, a rolling element bearing primarily designed to support a load perpendicular to the axis. Also referred to as Annular Bearing.

**Relubricatable Bearing:** A shielded, sealed, or open bearing designed to be lubricated periodically. Also referred to as Relube.

**Seal:** A soft synthetic rubber washer with a steel core fixed in the outer ring (in the seal groove) that is in contact with the inner ring, which helps to retain the lubricant and keep out contamination.

**Self-Aligning Ball Bearing:** Spherical outside-diameter ball bearing that can accommodate an initial angular misalignment between the outer ring and its mating spherical aligning ring or housing seat.

**Shield:** A metal-formed washer attached to the outer ring and set so it rides close to, but not contacting with, the inner ring. This helps retain lubricant while preventing contamination.

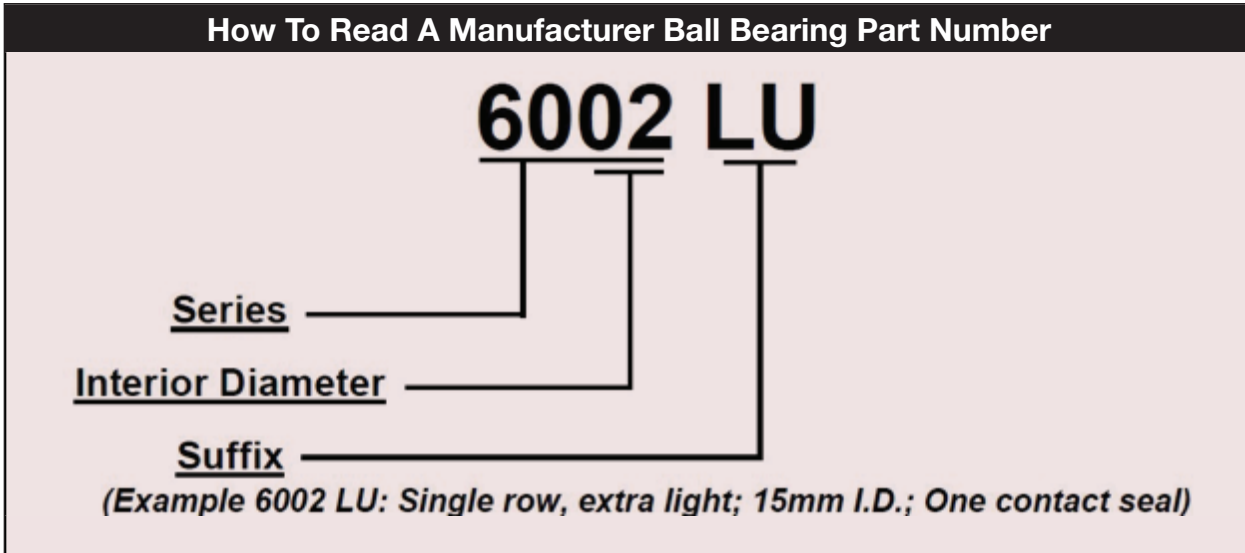
**Snap Ring:** A removable ring used to axially position a bearing or outer ring in a housing. Also used as a means of fastening a shield or seal in a bearing.

**Spherical Roller Bearing:** Self-aligning, radial rolling bearing with convex rollers or concave rollers as rolling elements. With convex rollers, the outer ring has a spherical raceway; with concave rollers, the inner ring has a spherical raceway.

# Ball Bearings

## Introduction

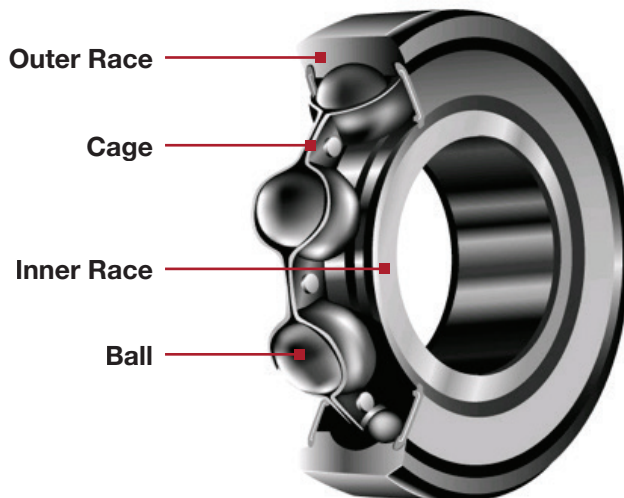
### How To Read A Manufacturer Ball Bearing Part Number



BALL BEARINGS

### Ball Bearing Number Explanation

Series	Interior Diameter	Suffix
<b>Timken</b> 30 Single row metric, extra small 9100 Single row, extra light 100 Single row, extra large 200 Single row, light 300 Single row, medium  <b>SKF</b> <b>NTN</b> <b>Koyo</b> 600 Single row metric, extra small 6000 Single row, extra light 6100 Single row, extra large 6200 Single row, light 6300 Single row, medium	00 10mm 01 12mm 02 15mm 03 17mm 04 20mm  *04 and up: multiply the last two numbers by 5 to get bore size in millimeters.  <b>Metric:</b> The last two numbers is the size of the interior diameter in millimeters.	<b>Timken</b> K Conrad, non-filling slot type B Spherical outside diameter D : DD One shield : Two shields L : LL One seal : Two seals P : PP One seal : Two seals R : RR(2) One land riding seal : Two land riding seals G Snap ring  <b>SKF</b> <b>NTN</b> <b>Koyo</b> C1:C2:C3 Internal clearance variation Z : ZZ One shield : Two shields N Snap ring groove NR Snap ring groove with ring  <b>Koyo</b> <b>SKF</b> RS : 2RS One contact seal : Two contact seals RU : 2RU One non-contact seal : Two non-contact seals RD : 2RD One light contact seal : Two light contact seals  <b>NTN</b> LB : LLB One non-contact seal : Two non-contact seals LH : LLH One low torque seal : Two low torque seals LU : LLU One contact seal : Two contact seals

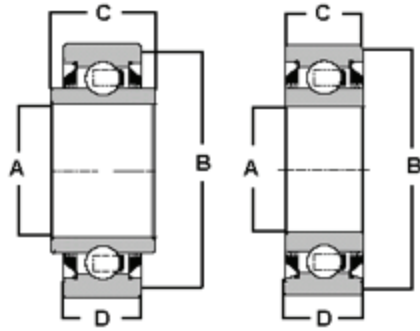


# Ball Bearings

## Introduction

### Identifying The Difference Between Ball Bearings

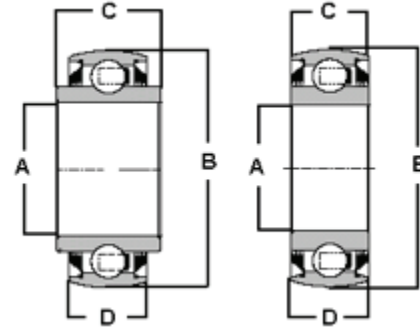
The ball bearings in this section are categorized by the outer race design: Cylindrical (flat) and Spherical (rounded).



Type 1

Type 2

Cylindrical bearings are designed with a flat outer race to restrict misalignment.



Type 3

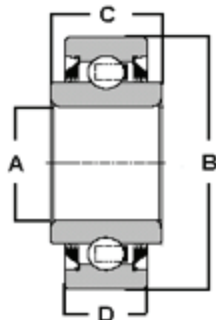
Type 4

Spherical bearings are designed with a rounded outer race to accept misalignment.

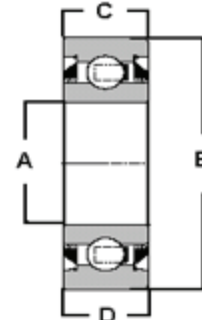
A Cylindrical ball bearing is categorized by Types 1 and 2. A Type 1 Cylindrical ball bearing has an inner race width larger than the outer race width. A Type 2 Cylindrical ball bearing has an inner race width equal to the outer race width.

A Spherical ball bearing is described by Types 3 and 4. A Type 3 Spherical ball bearing has an inner race width larger than the outer race width. A Type 4 Spherical ball bearing has an inner race width equal to the outer race width.

### Understanding The Ball Bearing Page Layout



Type 1



Type 2

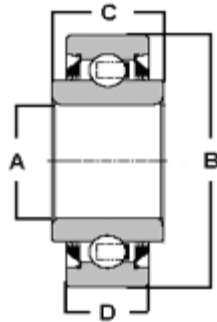
#### Cylindrical Ball Bearings

AGCO Part No.	Manufacturer Part No.	TYPE	A Interior Diameter		B Outside Diameter		C Inner Race Width		D Outer Race Width		Seal Information
			(in)	(mm)	(in)	(mm)	(in)	(mm)	(in)	(mm)	
3435646M1	6002LU	2	0.590	15.00	1.260	32.00	0.354	9.00	0.354	9.00	Two Seals

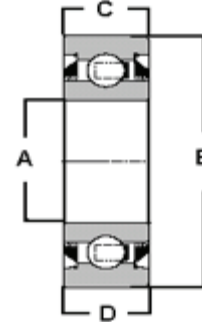
The Illustrations at the beginning of each ball bearing section are used to help identify a bearing in the absence of the Manufacturer's Part Number. Column headings include: Type, (A) Interior Diameter, (B) Outside Diameter, (C) Inner Race Width, (D) Outer Race Width and Seal Information.

# Cylindrical Ball Bearings

Listed in Ascending Order by Interior Diameter



Type 1



Type 2

AGCO offers a wide range of bearings from a number of manufacturers.

These Manufacturer Part Numbers are listed for reference only. The part number will not guarantee a specific manufacturer.

Cylindrical Ball Bearings											
AGCO Part No.	Manufacturer Part No.	TYPE	A Interior Diameter		B Outside Diameter		C Inner Race Width		D Outer Race Width		Seal Information
			(in)	(mm)	(in)	(mm)	(in)	(mm)	(in)	(mm)	
<b>Cylindrical – Hex Bore</b>											
842696M1	205KRR2C1	1	0.875	22.23	2.047	52.00	1.000	25.40	0.591	15.00	Two Seals
<b>Cylindrical – Spline Bore</b>											
50377	CS3574X6	2	0.756	19.20	1.850	47.00	0.551	14.00	0.551	14.00	Two Shields
<b>Cylindrical – Square Bore</b>											
70596130	20SBG2209E3	1	1.299	33.00	3.346	85.00	1.417	36.00	1.181	30.00	Two Seals
79033107	SBX1173LLSQ1	1	1.513	38.43	3.937	100.00	7.750	44.45	1.313	33.34	Two Seals
70406677	SBX1184LLSQ1	1	1.500	38.10	3.937	100.00	1.750	44.45	1.438	36.52	Two Seals
<b>Cylindrical – Round Bore</b>											
700706189	608LU	2	0.315	8	0.866	22	0.275	7	0.275	7	One Seal
700706189	608LLU/5C	2	0.315	8	0.866	21.996	0.275	7	0.275	7	Two Seals
71158140	EE3S Z	2	0.375	9.525	0.875	22.225	0.281	7.142	0.281	7.142	One Shield
700707402	P200PP Z10	2	0.393	10	1.181	29.997	0.354	9	0.354	9	Two Seals
71391540	5200 A2RS1TN9/C3	2	0.393	10	1.181	30	0.551	14	0.551	14	Two Seals
74507158	60622VBF00	2	0.433	11	0.905	23	0.315	8	0.315	8	Two Seals
642239M1	6201LLBC3/2A	2	0.472	12	1.259	32	0.393	10	0.393	10	Two Seals
844096M1	6202 2RS1/2	2	0.5	12.7	1.377	35	0.433	11	0.433	11	Two Seals
710673	203KRR5	1	0.515	13.081	1.574	40	0.72	18.288	0.472	12	Two Seals
3435646M1	6002LU	2	0.590	15	1.26	32.004	0.354	9	0.354	9	Two Seals
1440484X1	6202	2	0.590	15	1.378	35	0.433	10.998	0.433	10.998	No Seals
103300A	6202-2Z/C3GJN	2	0.590	15	1.378	35	0.433	11	0.433	11	Two Shields
339932X1	6202-2RLD-C3	2	0.590	15	1.378	35	0.433	11	0.433	11	Two Seals
13851X	7109	2	0.590	15	1.378	35	0.354	9	0.354	9	No Seals
B1647	6302	2	0.590	15	1.653	42	0.512	13.005	0.512	13.005	No Seals
3435718M1	6302-2RS1	2	0.590	15	1.653	42	0.511	13	0.511	13	Two Seals
1171646	526072A	2	0.591	15	1.25	31.75	0.59	15	0.59	15	Two Seals
833889M1	6202 RS	2	0.591	15	1.377	35	0.433	11	0.433	11	One Seal

# Cylindrical Ball Bearings

Listed in Ascending Order by Interior Diameter

BALL BEARINGS

Cylindrical Ball Bearings											
AGCO Part No.	Manufacturer Part No.	T Y P E	A Interior Diameter		B Outside Diameter		C Inner Race Width		D Outer Race Width		Seal Information
			(in)	(mm)	(in)	(mm)	(in)	(mm)	(in)	(mm)	
<b>Cylindrical – Round Bore (continued)</b>											
K4823	1623 DCTN	2	0.625	15.875	1.375	34.925	0.437	11.113	0.437	11.113	Two Shields
1070411M1	SC0228LLU	2	0.625	15.875	1.37	34.798	0.44	11.176	0.44	11.176	Two Seals
6610653	SC0228LLUC3	2	0.625	15.875	1.38	35	0.44	11.176	0.44	11.176	Two Seals
832768M1	203NPP9	2	0.625	15.875	1.574	40	0.5	12.7	0.5	12.7	Two Seals
834732M1	203SZZ38	2	0.625	15.875	1.574	40	0.472	12	0.472	12	Two Shields
842947M1	6204-2RS-5/8	2	0.625	15.875	1.85	47	0.551	14	0.551	14	Two Seals
71126056	BBY-5549	1	0.625	15.875	1.850	47	0.72	18.288	0.472	12	Two Seals
8050601	KSP10FS160	1	0.625	15.875	1.937	49.213	0.813	20.65	0.625	15.87	Two Seals
833819M1	6202LLU/16	2	0.629	16	1.377	35	0.433	11	0.433	11	Two Seals
70800420	488016	2	0.629	16	1.378	35	0.566	14.379	0.566	14.379	Two Shields
833735M1	6203LLU/16/2A	2	0.629	16	1.574	40	0.472	12	0.472	12	Two Seals
70571020	204RR8 E8728	2	0.629	16	1.780	45.225	0.61	15.494	0.61	15.494	Two Seals
W247167B	H204RR11	1	0.629	16	1.850	47	0.689	17.501	0.551	14	Two Seals
700732970	204PY3-CX	1	0.632	16.053	1.780	45.225	0.735	18.669	0.61	15.494	One Seal
3643380M1	203KRR2	1	0.64	16.256	1.574	40	0.72	18.288	0.472	12	Two Seals
Z10493	SX0361LLCS41PX1	1	0.64	16.256	1.574	40	0.72	18.29	0.472	12	Two Seals
833612M1	9103KD	2	0.669	16.995	1.378	35	0.388	9.873	0.388	9.873	One Shield
1440492X1	6203ZZ	2	0.669	17	1.575	40	0.472	12	0.472	12	Two Shields
74253868	6303-C3 Z14	2	0.669	16.995	1.85	47	0.551	13.995	0.551	13.995	No Seals
1173588	5203KCL	2	0.669	17	1.574	40	0.669	17	0.669	17	No Seals
828123N1	6203-ZZ	2	0.669	17	1.574	40	0.472	12	0.472	12	Two Shields
7714629	5203PP4	2	0.669	17	1.574	40	0.812	20.638	0.812	20.638	Two Seals
6664999	6003-2RS1	2	0.669	17	1.378	35	0.393	10	0.393	10	Two Seals
70800421	488503	2	0.669	17	1.574	40	0.653	16.601	0.653	16.601	Two Shields
828123M2	6203 2RS1C3	2	0.669	17	1.574	40	0.472	12	0.472	12	Two Seals
10473	6203LLUC4/5C	2	0.669	17	1.574	40	0.472	12	0.472	12	Two Seals
854003	DAC1640442RSL	1	0.669	17	1.574	40	1.737	44.12	1.54	39.116	Two Seals
70525592	6203	2	0.669	17	1.578	40	0.472	12	0.472	12	No Seals
71135350	6303LLUC3/5C	2	0.669	17	1.850	47	0.551	14	0.551	14	Two Seals
833914M1	WS-1375-12	1	0.75	19.05	1.5	38.227	0.51	13	0.443	11.252	Seal / Shield
H475627R91	1630 DC	2	0.75	19.05	1.624	41.262	0.5	12.7	0.5	12.7	Two Seals
833383M1	EE6	2	0.75	19.05	1.625	41.275	0.312	8	0.312	8	No Seals
71307332	KP12A-A2365	1	0.75	19.05	1.625	41.275	0.437	11.1	0.375	9.525	One Seal
712604	Z9504-2RSTFP-C3	2	0.750	19.063	1.780	45.225	0.61	15.494	0.61	15.494	Two Seals
833877M1	7488	2	0.75	19.05	1.780	45.225	0.61	15.494	0.61	15.494	No Seals
SNDR30005	205KRRP2	1	0.75	19.05	2.047	52	0.838	21.285	0.591	15	Two Seals
526253	6004 C3	2	0.787	20	1.653	42	0.472	12	0.472	12	No Seals
70931690	6004LLUNR	2	0.787	20	1.654	42	0.472	12	0.472	12	Two Seals
33-0065471	6004LU	2	0.787	20	1.654	42	0.472	12	0.472	12	One Seal



# Cylindrical Ball Bearings

Listed in Ascending Order by Interior Diameter

Cylindrical Ball Bearings											
AGCO Part No.	Manufacturer Part No.	T Y P E	A Interior Diameter		B Outside Diameter		C Inner Race Width		D Outer Race Width		Seal Information
			(in)	(mm)	(in)	(mm)	(in)	(mm)	(in)	(mm)	
<b>Cylindrical – Round Bore (continued)</b>											
72100841	6204NR	2	0.787	20	1.850	47	0.551	14	0.551	14	No Seals
1440489X1	6204Z	2	0.787	20	1.850	47	0.551	14	0.551	14	One Shield
71336974	5204PP A4257	2	0.787	20	1.850	47	0.937	23.813	0.937	23.813	Two Seals
527263	6204	2	0.787	20	1.850	47	0.551	14	0.551	14	No Seals
832686M1	6204-RS	2	0.787	20	1.850	47	0.551	14	0.551	14	One Seal
1440506X1	6304	2	0.787	20	2.047	52	0.590	15	0.590	15	No Seals
1136432	6304.2RSR.C3.J22R	2	0.787	20	2.047	52	0.590	15	0.590	15	Two Seals
30-3022617	5304	2	0.787	20	2.047	52	0.874	22.2	0.874	22.2	No Seals
74044210	6304LU	2	0.787	20	2.047	52	0.591	15	0.591	15	One Seal
72438724	6204LLUC3/2AS	2	0.787	20	1.85	47	0.551	14	0.551	14	Two Seals
844237M1	S204ZZ	2	0.787	20	1.850	47	0.812	20.638	0.812	20.638	Two Shields
391057X1	6004-2RLD	2	0.787	20	1.653	42	0.472	12	0.472	12	Two Seals
1047513M1	3204ATN9/C3	2	0.787	20	1.85	47	0.82	20.828	0.82	20.828	Two Seals
74044212	6204-RSH/C3	2	0.787	20	1.850	47	0.551	14	0.551	14	One Seal
70804501	P304K Z5	2	0.787	20	2.05	52	0.59	15	0.59	15	No Seals
833905M1	R 14	2	0.875	22.225	1.875	47.625	0.375	9.525	0.375	9.525	No Seals
1124697	6005-RS1	2	0.984	25	1.850	47	0.472	12	0.472	12	One Seal
528393	TMB005LLUC3/5C	2	0.984	25	1.850	47	0.472	12	0.472	12	Two Seals
72416427	6205 2RS C3 Z14	2	0.984	25	2.047	52	0.591	15	0.591	15	Two Seals
832778M1	6205 2RS C-4	2	0.984	25	2.047	52	0.590	15	0.590	15	Two Seals
1109045	6205/C3	2	0.984	25	2.047	52	0.590	15	0.590	15	No Seals
Z11489	6205NR	2	0.984	25	2.047	52	0.590	15	0.590	15	No Seals
1109048	6205-Z/C3	2	0.984	25	2.047	52	0.590	15	0.590	15	One Shield
17798	TMB205LLUC3/L014	2	0.984	25	2.047	52	0.590	15	0.590	15	Two Seals
70205756	205KL C3	1	0.984	25	2.047	52	0.625	15.875	0.590	15	One Shield
AG514757	5205-A2RS	2	0.984	25	2.047	52	0.787	20	0.787	20	Two Seals
72100764V	6205LLBNR/2AS	2	0.984	25	2.047	52	0.591	15	0.591	15	Two Seals
353067X1	6205-RLD	2	0.984	25	2.046	52	0.590	15	0.590	15	One Seal
H467146R91	P205P Z3	2	0.984	25	2.047	52	0.591	15	0.591	15	One Seal
834210M1	6305 RSC4	2	0.984	25	2.440	62	0.669	17	0.669	17	One Seal
70067916	6305/C3	2	0.984	25	2.440	62	0.669	17	0.669	17	No Seals
1139002	63052RSC3GA2	2	0.984	25	2.440	62	0.669	17	0.669	17	Two Seals
1139002	6305RS	2	0.984	25	2.440	62	0.472	12	0.472	12	One Seal
832305M1	6305-RS1	2	0.984	25	2.441	62	0.669	17	0.669	17	One Seal
72438620	6305-2RS C3	2	0.984	25	2.441	62	0.669	17	0.669	17	One Shield
833906M1	16412RS	2	1	25.4	2	50.8	0.562	14.275	0.562	14.275	One Seal
Y710392	8212TN	1	1.065	27.05	1.854	47	1	25.4	0.5	12.7	No Seals
3760514M1	RMS92RKMC4	2	1.125	28.575	2.812	71.438	0.812	20.638	0.812	20.638	Two Seals
899377M2	MS.11.C4	2	1.125	28.58	2.811	71.412	0.812	20.638	0.812	20.638	No Seals

BALL BEARINGS

# Cylindrical Ball Bearings

Listed in Ascending Order by Interior Diameter

BALL BEARINGS

Cylindrical Ball Bearings											
AGCO Part No.	Manufacturer Part No.	TYPE	A Interior Diameter		B Outside Diameter		C Inner Race Width		D Outer Race Width		Seal Information
			(in)	(mm)	(in)	(mm)	(in)	(mm)	(in)	(mm)	
<b>Cylindrical – Round Bore (continued)</b>											
339065X1	KINEX 6006	2	1.181	30	2.165	55	0.512	13	0.512	13	No Seals
1109055	6206 2RS C3 Z14	2	1.181	29.997	2.441	62	0.63	16.002	0.63	16.002	Two Seals
71131263	6206 NRC3	2	1.181	29.997	2.441	62	0.63	16.002	0.63	16.002	No Seals
70097088	6306 NRJ	2	1.181	29.997	2.834	72	0.743	19	0.743	19	No Seals
72437473	6306-2RS C3	2	1.181	30	2.835	72	0.748	19	0.748	19	Two Seals
832334M1	M6306	2	1.181	29.997	2.835	72	0.748	19	0.748	19	No Seals
390941X1	60062RS	2	1.181	30	2.165	55	0.512	13	0.512	13	Two Seals
700709106	DF0654LLUC4/5C	2	1.181	30	2.165	55	0.906	23	0.906	23	Two Seals
71302496	206KR7 C1	1	1.181	30	2.440	62	0.944	24	0.629	16	One Seal
842374M1	206KRR8	1	1.181	30	2.440	62	0.944	24	0.629	16	Two Seals
1174298	6206C3	2	1.181	30	2.440	62	0.629	16	0.629	16	No Seals
1440494X1	6206C3	2	1.181	30	2.440	62	0.629	16	0.629	16	No Seals
1442074X1	6206-RS1/C3	2	1.181	30	2.441	62	0.63	16	0.63	16	One Seal
832628M1	88506A	1	1.181	30	2.440	62	0.944	24	0.736	18.694	Two Seals
71143645	1306L	2	1.181	30	2.834	72	0.748	19	0.748	19	One Seal
1122281	6306C3	2	1.181	30	2.834	72	0.748	19	0.748	19	No Seals
71396472	2306 E-2RS1TN9	2	1.181	30	2.834	72	1.063	27	1.063	27	Two Shields
AG510343	6306-2RLD	2	1.181	30	2.834	72	0.748	19	0.748	19	Two Seals
831484M1	1654NSTN	2	1.25	31.75	2.5	63.5	0.625	16	0.625	16	Two Shields
72098661	62/32	2	1.26	32.004	2.559	65	0.669	17	0.669	17	No Seals
3910739	BD35-12DU8A	2	1.378	35	2.519	64	1.456	37	1.456	37	Two Seals
70058974	207	2	1.378	35	2.834	72	0.669	17	0.669	17	No Seals
17526V	207P Z3 FS50000	2	1.378	35	2.835	72	0.669	17	0.669	17	One Seal
KS5030A	6007 RSJ	2	1.378	35	2.440	62	0.551	14	0.551	14	One Seal
70210290	207ZJ	2	1.378	35	2.834	72	0.666	16.929	0.666	16.929	One Shield
700712383	6207	2	1.378	35	2.834	72	0.472	12	0.472	12	No Seals
114093M1	6207-2RS1	2	1.378	35	2.834	72	0.669	17	0.669	17	Two Seals
842117M1	307Z	2	1.378	35	3.149	80	0.826	21	0.826	21	One Shield
339800X1	6007 2RS	2	1.378	35	2.441	62	0.551	14	0.551	14	Two Seals
72503499	60072RS1C3	2	1.378	35	2.440	62	0.551	14	0.551	14	Two Seals
30-3065162	6007-2RS2/C4LHT23	2	1.378	35	2.440	62	0.551	14	0.551	14	Two Seals
3000724X1	6007RS	2	1.378	35	2.441	62	0.551	13.995	0.551	13.995	One Seal
71132366	207KRR3	1	1.378	35	2.834	72	0.984	25	0.669	17	Two Seals
70210290	207ZJ	2	1.378	35	2.834	72	0.669	17	0.669	17	One Shield
1109058	6207.C3.J22R	2	1.378	35	2.834	72	0.669	17	0.669	17	No Seals
71324230	88107 2RR4C3 GA2	1	1.378	35	2.834	72	0.984	25	0.669	17	Two Seals
70212243	207PR	2	1.378	35	2.834	72	0.669	17	0.669	17	Two Seals
104089W1	6207-2Z/C3	2	1.378	35	2.835	72	0.669	17	0.669	17	Two Shields
72097938	6207NR	2	1.378	35	2.835	72	0.669	17	0.669	17	No Seals

# Cylindrical Ball Bearings

Listed in Ascending Order by Interior Diameter

Cylindrical Ball Bearings											
AGCO Part No.	Manufacturer Part No.	T Y P E	A Interior Diameter		B Outside Diameter		C Inner Race Width		D Outer Race Width		Seal Information
			(in)	(mm)	(in)	(mm)	(in)	(mm)	(in)	(mm)	
<b>Cylindrical – Round Bore (continued)</b>											
D41621100	6207	2	1.378	35	2.835	72	0.669	17	0.669	17	One Seal
2389930	6307C3	2	1.378	35	3.149	80	0.826	21	0.826	21	No Seals
1440559X1	6307NR	2	1.378	35	3.15	80	0.827	21	0.827	21	No Seals
354920X1	6307 2RS	2	1.378	35	3.15	80	0.827	21	0.827	21	Two Seals
2759934M1	X376RSCG6Q	2	1.378	35	4	101.6	1.125	28.575	1.125	28.575	Two Seals
20-0007597	S13R	2	1.5	38.1	2.625	66.68	0.437	11.11	0.437	11.11	One Seal
71131910	208KRR4	1	1.531	38.892	3.149	80	1.083	27.508	0.826	21	Two Seals
W158363A	88128 GGN	1	1.531	38.892	3.149	80	1.083	27.508	0.827	21	Two Seals
70210027	208K C2	2	1.574	40	3.149	80	0.708	18	0.708	18	No Seals
842415M1	408	2	1.574	40	4.330	110	1.06	27	1.06	27	No Seals
72505492	6008.2RSR.C3.J22R	2	1.574	40	2.577	65.461	0.590	15	0.590	15	Two Seals
70928929	6008RSRC3	2	1.574	40	2.677	68	0.590	15	0.590	15	One Seal
195505M1	208Z	2	1.574	40	3.149	80	0.708	18	0.708	18	One Shield
72614549	6208C3	2	1.575	40	3.150	80	0.709	18	0.709	18	Two Seals
70528519	6208 C3	2	1.574	40	3.149	80	0.708	18	0.708	18	No Seals
395568X1	6208NR	2	1.575	40	3.150	80	0.709	18	0.709	18	No Seals
71118304	6208-RS	2	1.574	40	3.149	80	0.708	18	0.708	18	One Seal
72090062	62208 2RS1C3	2	1.574	40	3.149	80	0.906	23	0.906	23	Two Seals
833647M1	308	2	1.574	40	3.543	90	0.900	23	0.900	23	No Seals
72100175	6308	2	1.574	40	3.543	90	0.905	23	0.905	23	No Seals
834988M1	6308-RS1	2	1.574	40	3.543	90	0.905	23	0.905	23	One Seal
832982M1	6308 2RS/C3	2	1.574	40	3.542	90	0.906	23	0.906	23	Two Seals
834470M1	BL308ZZNP/2A	2	1.574	40	3.543	90	0.905	23	0.905	23	Two Shields
1101409	6008 C3	2	1.574	40	2.677	67.996	0.591	15	0.591	15	No Seals
30-3065146	6008 2RS2NR/C4P	2	1.574	40	2.667	68	0.591	15	0.591	15	Two Seals
72160313	60082RSC4GA2	2	1.574	40	2.677	68	0.590	15	0.590	15	Two Seals
700726228	6208-2RS1TN9/C3VE167	2	1.574	40	3.149	80	0.708	18	0.708	18	Two Seals
KS5031	6208ZNR	2	1.574	40	3.149	80	0.708	18	0.708	18	One Shield
KS5003	BL208NR	2	1.574	40	3.15	80	0.709	18	0.709	18	No Seals
700718362	6308 2RS1NTN9/C4	2	1.574	40	3.543	90	0.905	23	0.905	23	Two Seals
195498M1	6009NR	2	1.771	44.996	2.952	75	0.624	16	0.624	16	No Seals
71120308	6209 NR C3	2	1.771	44.996	3.33	85	0.74	19	0.74	19	No Seals
1109136	6309N/C3	2	1.771	44.996	3.93	100	0.98	25	0.98	25	No Seals
843473M1	51209	2	1.771	45	2.874	73	0.787	20	0.787	20	No Seals
700721594	6309-2RS1C3	2	1.771	45	3.937	100	0.984	25	0.984	25	Two Seals
3734275M1	6309C3	2	1.771	45	3.937	100	0.984	25	0.984	25	No Seals
528116	TMB009LLUC3/5C	2	1.771	45	2.952	75	0.629	16	0.629	16	Two Seals
832333M1	209	2	1.771	45	3.346	85	0.748	19	0.748	19	No Seals
700723938	60092RSC3	2	1.772	45	2.953	75	0.630	16	0.630	16	Two Seals

BALL BEARINGS

# Cylindrical Ball Bearings

Listed in Ascending Order by Interior Diameter

BALL BEARINGS

Cylindrical Ball Bearings											
AGCO Part No.	Manufacturer Part No.	T Y P E	A Interior Diameter		B Outside Diameter		C Inner Race Width		D Outer Race Width		Seal Information
			(in)	(mm)	(in)	(mm)	(in)	(mm)	(in)	(mm)	
<b>Cylindrical – Round Bore (continued)</b>											
833309M1	3209A_C3	2	1.771	45	3.346	85	1.189	30.201	1.189	30.201	No Seals
72310314	6209C3	2	1.772	45	3.347	85	0.748	19	0.748	19	No Seals
1138480	6209-2RS1C3	2	1.771	45	3.346	85	0.748	19	0.748	19	Two Seals
707636	6209NR	2	1.771	45	3.346	85	0.748	19	0.748	19	No Seals
71145314	6209-RS1/C3	2	1.771	45	3.346	85	0.748	19	0.748	19	One Seal
2759935M1	309SZZ4	2	1.771	45	5	127	1.25	31.75	1.25	31.75	Two Shields
3009388X1	6010Z	2	1.969	50	3.150	80	0.630	16	0.630	16	One Shield
1675274M1	6210 ZNBR	2	1.968	50	3.543	90	0.787	20	0.787	20	One Shield
72503933	210	2	1.968	50	3.543	90	0.787	20	0.787	20	No Seals
391162X1	6210	2	1.968	50	3.543	90	0.787	20	0.787	20	No Seals
71335182	62102RS1VE391	2	1.968	50	3.543	90	0.787	20	0.787	20	One Seal
3003258X1	6210RS	2	1.968	50	3.543	90	0.787	20	0.787	20	One Seal
3008252X1	6210ZNBR	2	1.969	50	3.543	90	0.787	20	0.787	20	One Shield
106049A	6010-2RS1/C3GJN	2	1.969	50	3.149	80	0.629	16	0.629	16	Two Seals
1109182	16010 C3	2	1.969	50	3.15	80	0.394	10	0.394	10	No Seals
72310308	6010C3	2	1.969	50	3.150	80	0.630	16	0.630	16	No Seals
842504M1	210RS1/MT33	2	1.969	50	3.543	90	0.787	20	0.787	20	One Seal
15192	5210 ZZ	2	1.969	50	3.543	90	1.187	30.163	1.187	30.163	Two Shields
70223712	6210 ZNR	2	1.969	50	3.543	90	0.787	20	0.787	20	One Shield
17522	6210-2RS-C3	2	1.969	50	3.543	90	0.787	20	0.787	20	Two Seals
72340100	6210 2RSGA2	2	1.969	50	3.543	90	0.787	20	0.787	20	Two Seals
71169762	6210LUNRSC3/3A	2	1.969	50	3.149	80	0.629	16	0.629	16	One Seal
1109073	6210C3.J22R	2	1.969	50	3.543	90	0.787	20	0.787	20	No Seals
70224837	6210NRC3	2	1.969	50	3.543	90	0.787	20	0.787	20	No Seals
71117404	6210-RS1/C3	2	1.969	50	3.543	90	0.787	20	0.787	20	One Seal
842516M1	M6210C3	2	1.969	50	3.543	90	0.787	20	0.787	20	No Seals
71154852	6310	2	1.969	50	4.330	110	1.063	27	1.063	27	No Seals
71195912	6310-2RS	2	1.969	50	4.330	110	1.063	27	1.063	27	Two Seals
71151719	WK2250.T1428	1	2.125	54	2.5	63.5	1.5	38	0.746	19	Two Seals
71344589	6011 NR	2	2.165	55	3.543	90	0.708	18	0.708	18	No Seals
391088X1	60112RSC3	2	2.165	55	3.543	90	0.709	18	0.709	18	Two Seals
834851M1	6211 NR/C3	2	2.165	55	3.937	100	0.826	21	0.826	21	No Seals
195507M1	6211-Z	2	2.165	55	3.937	100	0.826	21	0.826	21	One Shield
70231175	BL211ZNRC3	2	2.165	55	3.937	100	0.826	21	0.826	21	One Shield
72310315	6211C3	2	2.165	55	3.937	100	0.827	21	0.827	21	No Seals
71398331	6311-2RS1/C3GJN	2	2.165	55	4.724	120	1.141	29	1.141	29	Two Seals
N15337	SKF 311	2	2.165	55	4.724	120	1.142	29	1.142	29	No Seals
390984X1	6007	2	2.165	55	3.543	90	0.709	18	0.709	18	No Seals
391261X1	6011	2	2.165	55	3.543	90	0.708	18	0.708	18	No Seals

# Cylindrical Ball Bearings

Listed in Ascending Order by Interior Diameter

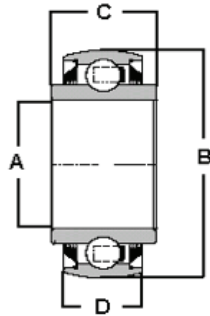
Cylindrical Ball Bearings											
AGCO Part No.	Manufacturer Part No.	TYPE	A Interior Diameter		B Outside Diameter		C Inner Race Width		D Outer Race Width		Seal Information
			(in)	(mm)	(in)	(mm)	(in)	(mm)	(in)	(mm)	
<b>Cylindrical – Round Bore (continued)</b>											
8051005	22211 E/C3	2	2.165	55	3.937	100	0.984	25	0.984	25	No Seals
843278M1	3211 C3	2	2.165	55	3.937	100	1.311	33.299	1.311	33.299	No Seals
70242703	5211WL	2	2.165	55	3.937	100	1.312	33.338	1.312	33.338	No Seals
71179458	6211-2RS1C3	2	2.165	55	3.937	100	0.826	21	0.826	21	Two Seals
71340495	6311-2RS1/C3	2	2.165	55	4.724	120	1.141	29	1.141	29	Two Seals
391145X1	60122RS	2	2.362	60	3.74	95	0.709	18	0.709	18	Two Seals
3734221M1	6212C3	2	2.362	60	4.330	110	0.866	22	0.866	22	No Seals
165971A	6212-NR	2	2.362	60	4.330	110	0.866	22	0.866	22	No Seals
1051469M1	6212ZC3	2	2.362	60	4.330	110	0.866	22	0.866	22	One Shield
71363435	6212 2RS1	2	2.362	60	4.380	110	0.866	22	0.866	22	Two Seals
339673X1	6013	2	2.559	65	3.937	100	0.708	18	0.708	18	No Seals
71160100	6013.2RSR.C3.J22R	2	2.559	65	3.936	100	0.708	18	0.708	18	Two Seals
71370205	6213-2RS1	2	2.559	65	4.724	120	0.906	23	0.906	23	Two Seals
72090065	6313C3	2	2.559	65	5.512	140	1.29	32.766	1.29	32.766	No Seals
1442381X1	16013	2	2.559	65	3.937	100	0.433	11	0.433	11	No Seals
70937250	6014.2RSR.C3.J22R	2	2.755	70	4.330	110	0.787	20	0.787	20	Two Seals
1108994	6014 C3	2	2.755	70	4.330	110	0.787	20	0.787	20	No Seals
70928286	2152NR	2	2.952	75	5.118	130	0.984	25	0.984	25	No Seals
1441169X1	6215	2	2.953	75	5.118	130	0.984	25	0.984	25	No Seals
842046M1	6215-Z	2	2.952	75	5.118	130	0.984	25	0.984	25	One Shield
71195913	6015 2RS1	2	2.952	75	4.527	115	0.787	20	0.787	20	Two Seals
842133M1	215-2Z/BL	2	2.952	75	5.118	130	0.984	25	0.984	25	Two Shields
70928286	215ZNR	2	2.952	75	5.118	130	0.984	25	0.984	25	One Shield
W9112830	62152RSGA2	2	2.952	75	5.118	130	0.984	25	0.984	25	Two Seals
W9112600	6017-2RS1/C3	2	3.346	85	5.117	130	0.866	22	0.866	22	Two Seals
832316M1	6217 Z3C/2A	2	3.346	85	5.905	150	1.102	28	1.102	28	One Shield
W9112640	6217LLU/2A	2	3.346	85	5.905	150	1.102	28	1.102	28	Two Seals
842047M1	6018Z	2	3.542	90	5.511	140	0.944	24	0.944	24	One Shield
1109002	6018	2	3.543	90	5.512	140	0.945	24.003	0.945	24.003	No Seals
700717727	6020-2RS1	2	3.937	100	5.905	150	0.984	25	0.984	25	Two Seals
211964	6022	2	4.331	110	6.693	170	1.102	28	1.102	28	No Seals
<b>Special Ball Bearings</b>											
700737442	TG1603KRR50-SP1	1	0.255	6.447	1	25.4	0.515	13.081	0.440	11.2	Two Seals
71141240	D3300-13DSI	1	0.376	9.550	2.25	57.15	1	25.4	0.875	22.225	Two Seals

BALL BEARINGS

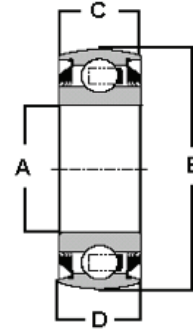


# Spherical Ball Bearings

Listed in Ascending Order by Interior Diameter



Type 3



Type 4

AGCO offers a wide range of bearings from a number of manufacturers.  
 These Manufacturer Part Numbers are listed for reference only. The part number will not guarantee a specific manufacturer.

BALL BEARINGS

Spherical Ball Bearings											
AGCO Part No.	Manufacturer Part No.	TYPE	A Interior Diameter		B Outside Diameter		C Inner Race Width		D Outer Race Width		Seal Information
			(in)	(mm)	(in)	(mm)	(in)	(mm)	(in)	(mm)	
<b>Spherical – Hex Bore</b>											
31-2475140	205KRRB2 C1	3	0.875	22.25	2.047	52	1	25.4	0.585	14.874	Two Seals
N856695	2AH05-7/8	3	0.875	22.25	2.047	52	1	25.4	0.591	15	Two Seals
713172	206KRRB6	3	1	25.4	2.440	62	0.945	24.003	0.72	18.288	Two Seals
71197194	207KRRB9	3	1.125	28.6	2.834	72	1.484	37.704	0.669	17	Two Seals
713834	SBX07A42LLMC3Q1	4	1.25	31.75	2.834	72	1.484	40	1.484	40	Two Seals
70575883	W208PPB16	3	1.259	32	3.149	80	1.417	36	0.669	17	Two Seals
70586143	GW208PPB29	3	1.299	33	3.149	80	1.456	37	1.181	30	Two Seals
<b>Spherical – Round Bore</b>											
832009M1	CS203LLU	4	0.669	17	1.574	40	0.472	12	0.472	12	Two Seals
831112M1	CS205LLU	4	0.984	25	2.047	52	0.590	15	0.590	15	Two Seals
833757M1	6305-2RS SPH	4	0.984	25	2.440	62	0.669	17	0.669	17	Two Seals
11407V	BS221261L1	3	1	25.4	2.047	52	1.236	31.394	0.590	15	Two Seals
70536147	SBX06A59LLXQ1	3	1.125	28.575	2.440	62	0.944	24	0.629	16	Two Seals
71505895	207KRRB12	3	1.126	28.6	2.835	72	0.984	25	0.669	17	Two Seals
834533M1	6306-2RS	4	1.181	29.997	2.834	72	0.748	19	0.748	19	Two Seals
831087M1	6206-2RS	4	1.181	30	2.440	62	0.629	16	0.629	16	Two Seals
834750M1	6206-RS	4	1.181	30	2.440	62	0.629	16	0.629	16	One Seal
17637	207KRR PRB	3	1.378	35	2.834	72	0.984	25	0.669	17	Two Seals
831822M1	CS207LLU	4	1.378	35	2.834	72	0.669	17	0.669	17	Two Seals
831861M1	CS307LLU	4	1.378	35	3.15	80	0.827	21	0.827	21	Two Seals
34-0103	W209PPB4 C2	4	1.535	39	3.346	85	1.187	30.163	1.187	30.163	Two Seals
353152X1	CS204LLU	4	1.574	40	3.149	80	0.708	18	0.708	18	Two Seals
832087M1	CS208LLU	4	1.574	40	3.149	80	0.708	18	0.708	18	Two Seals

# Spherical Ball Bearings

Listed in Ascending Order by Interior Diameter

Spherical Ball Bearings											
AGCO Part No.	Manufacturer Part No.	TYPE	A Interior Diameter		B Outside Diameter		C Inner Race Width		D Outer Race Width		Seal Information
			(in)	(mm)	(in)	(mm)	(in)	(mm)	(in)	(mm)	
<b>Spherical – Round Bore (continued)</b>											
31-1588410	6308-2RS	4	1.575	40	3.543	90	0.906	23	0.906	23	Two Seals
831134M1	CS209LLU	4	1.772	45	3.346	85	0.748	19	0.748	19	Two Seals
842079M1	CS309LLU_2A	4	1.772	45	3.937	100	0.984	25	0.984	25	Two Seals
31-0072	W209PPB2 C4	4	1.771	45	3.346	85	1.187	30.163	1.187	30.163	Two Seals
71141190	1726309 2RS1	4	1.771	45	3.937	100	0.984	25	0.984	25	Two Seals
E10771	3AC10-1.15/16D1V1	4	1.937	49.213	3.542	90	1.187	30.163	1.187	30.163	Two Seals
833741M1	CS210LLU	4	1.968	50	3.543	90	0.787	20	0.787	20	Two Seals
71154722	1726310 2RS	4	1.968	50	4.330	110	1.063	27	1.063	27	Two Seals
842434M1	6210-RS	4	1.969	50	3.543	90	0.787	20	0.787	20	One Seal
842529M1	6311-2NSL	4	2.164	55	4.724	120	1.136	28.872	1.136	28.872	No Seals
834676M1	CS212D1V2	4	2.362	60	4.330	110	0.866	21.996	0.866	21.996	Two Seals
72161859	RYLE 212	4	2.362	60	4.331	110	0.866	21.996	0.866	21.996	No Seals
834871M1	CS213D1V2	4	2.558	65	4.724	120	0.905	23	0.905	23	Two Seals
<b>Spherical – Spline Bore</b>											
106823	207KRRB12SPL	3	1.465	37.21	2.835	72.00	0.984	25.00	0.669	17.00	Two Seals
<b>Spherical – Square Bore</b>											
70589573	GW209PPB5	3	1.250	31.80	3.346	85.00	1.438	36.53	1.188	30.18	Two Seals

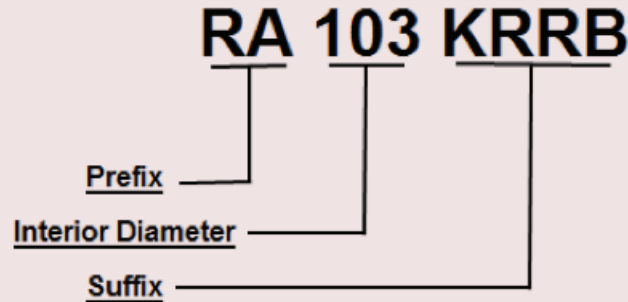
BALL BEARINGS



# Wide Inner Ring Bearings

## Introduction

### How To Read A Manufacturer Wide Inner Ring Bearing Part Number

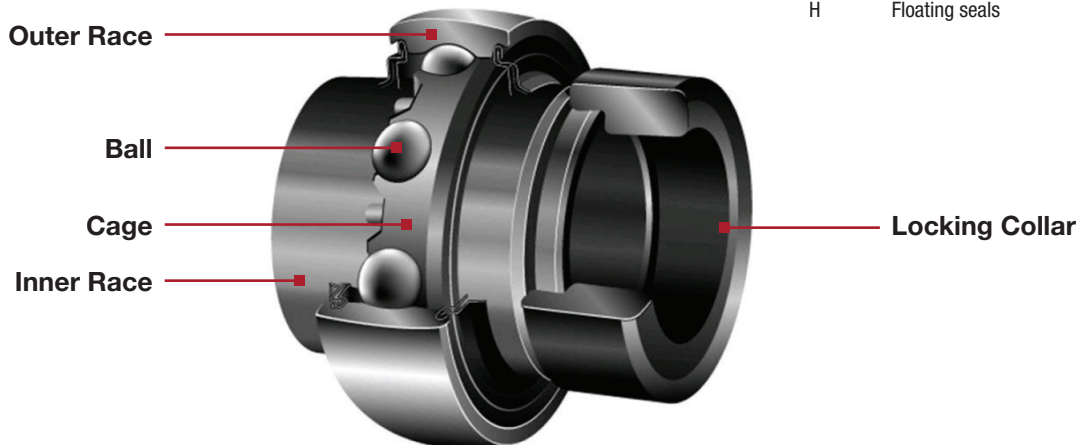


(Example RA103KRRB: One side extended inner ring; 1-3/16" I.D.; Conrad; Two land riding seals; Spherical)

### Wide Inner Ring Bearing Number Explanation

Prefix	Interior Diameter	Suffix
<b>Timken</b>	Last three numbers describe bore size: First in inches, last two in sixteenths:	<b>Timken</b>
G Relubricatable	015 15/16"	W Max capacity filling slot
RA One side extended inner ring, eccentric lock collar	103 1-3/16"	K Conrad, non-filling slot
GY, ER, YA Setscrew lock collar	204 2-1/4"	B Spherical
<b>SKF</b>	25 25mm (metric)	L : LL One seal : Two seals
YET One side extended inner ring, eccentric lock collar	35 35mm (metric)	P : PP One seal : Two seals
YEL Wide inner ring, eccentric lock collar		R:RR(2) One land riding seal: Two land riding seals
YAR Wide inner ring, setscrew lock collar		S External self-aligning
<b>Rexnord</b>		<b>SKF</b>
S Extended inner ring, spring locking collar		C Cylindrical O.D.
U Wide inner ring, spring locking collar		W Non-Relubricatable
Y Wide inner ring, eccentric lock collar		<b>Rexnord</b>
B Cylindrical O.D.		N Lip seals
		L1 No collar
		L Collar w/setscrews
		H Floating seals

WIDE INNER RINGS



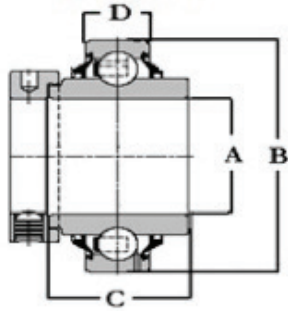


# Wide Inner Ring Bearings

## Introduction

### Identifying The Difference Between Wide Inner Ring Bearings

The wide inner ring bearings in this section are categorized by lubrication requirements and the outer race design: Cylindrical (flat) and Spherical (rounded).

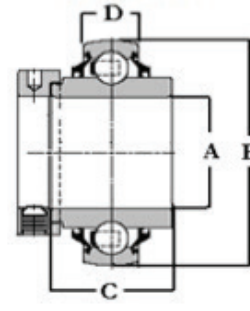


**Cylindrical**

Cylindrical bearings are designed with a flat outer race to restrict misalignment.

A Cylindrical wide inner ring bearing is designed to mount in a straight-bored housing to restrict misalignment from the shaft or housing.

A Spherical wide inner ring bearing is designed to mount in a corresponding spherical seat to allow for shaft and housing misalignment.

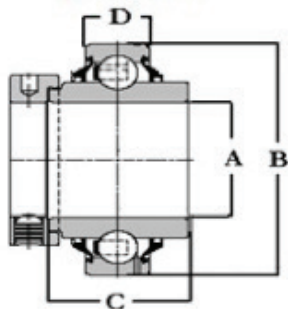


**Spherical**

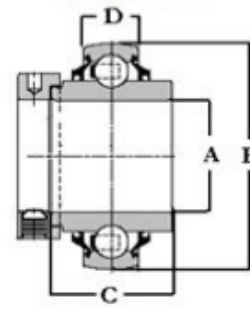
Spherical bearings are designed with a rounded outer race to accept misalignment.

A Wide inner ring bearing can be used within a housing if the outside diameter (mm) is the same dimension as the Housing Series (mm). Example: 833447M1 (RA010RR + COL) has a 40mm Outside Diameter, which would fit in a 40 Series Housed Unit.

### Understanding The Wide Inner Ring Bearing Page Layout



**Cylindrical**



**Spherical**

#### Cylindrical – Prelube

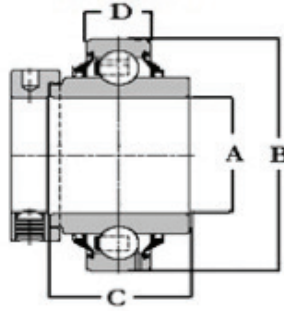
AGCO Part No.	Manufacturer Part No.	A Interior Diameter		B Outside Diameter		C Inner Race Width		D Outer Race Width	
		(in)	(mm)	(in)	(mm)	(in)	(mm)	(in)	(mm)
833447M1	RA010RR + COL	0.625	15.88	1.575	40.00	0.750	19.05	0.512	13.00

The Illustrations at the beginning of each wide inner ring bearing section are used to help identify a bearing in the absence of the Manufacturer's Part Number. Column headings include:

(A) Interior Diameter, (B) Outside Diameter, (C) Inner Race Width and (D) Outer Race Width.

# Wide Inner Ring Bearings – Cylindrical

Listed in Ascending Order by Interior Diameter



Cylindrical

AGCO offers a wide range of bearings from a number of manufacturers.

These Manufacturer Part Numbers are listed for reference only. The part number will not guarantee a specific manufacturer.

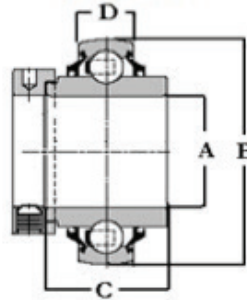
## Cylindrical – Prelube

AGCO Part No.	Manufacturer Part No.	A Interior Diameter		B Outside Diameter		C Inner Race Width		D Outer Race Width	
		(in)	(mm)	(in)	(mm)	(in)	(mm)	(in)	(mm)
7591-1	WB212EL	0.75	19.05	1.850	47	0.843	21.43	0.590	15
Y50443	RA012RR + COL	0.75	19.05	1.850	47	1.219	30.963	0.551	14
K3300	RA014RR L/C	0.875	22.225	2.047	52	0.843	21.412	0.591	15
70559857	1100KL + COL	1	25.4	2.047	52	1.375	34.925	0.591	15
12901	1100KRR C1 L/C	1	25.4	2.047	52	1.375	34.925	0.591	15
70547628	RA100RR + COL	1	25.4	2.047	52	0.843	21.43	0.590	15
843548M1	WB216UL	1	25.4	2.047	52	0.826	21	0.590	15
70590610	RA102RR + COL	1.125	28.575	2.440	62	0.938	23.825	0.709	18
Z51672	BCA-JELS206-104W3	1.25	31.75	2.437	62	0.94	23.8	0.71	18
7713597	1103KRR3 C2 L/C	1.25	31.75	2.44	62	1.437	36.513	0.629	16
K3538	RA103RR2 L/C	1.25	31.75	2.441	62	0.937	23.8	0.709	18
710871	RA104RR L/C	1.25	31.75	2.834	72	1	25.4	0.748	19
51813	RA106RR + COL	1.375	34.925	2.834	72	1.531	38.887	0.748	19
8050080	RA106RR L/C	1.375	34.925	2.834	72	1	25.4	0.748	19
843273M1	YET 208-108CW	1.5	38.1	3.149	80	1.719	43.66	0.826	21
SNDR30022	FHR208-24	1.5	38.1	3.149	80	1.187	30.163	0.866	22
700739515	RA108RR L/C	1.5	38.1	3.15	80	1.187	30.163	0.866	22
7711294	RA112RR + COL	1.75	44.45	3.346	85	1.024	26.01	0.748	19
6660460	AELS206-103-NW3	1.817	29.997	2.441	62	1.406	35.712	0.709	18
700710914	RA203RR L/C	2.187	55.563	3.937	100	1.281	32.537	0.945	24.003

WIDE INNER RINGS

# Wide Inner Ring Bearings – Spherical

Listed in Ascending Order by Interior Diameter



Spherical

AGCO offers a wide range of bearings from a number of manufacturers.  
 These Manufacturer Part Numbers are listed for reference only. The part number will not guarantee a specific manufacturer.

Spherical									
AGCO Part No.	Manufacturer Part No.	A Interior Diameter		B Outside Diameter		C Inner Race Width		D Outer Race Width	
		(in)	(mm)	(in)	(mm)	(in)	(mm)	(in)	(mm)
<b>Spherical – Prelube</b>									
552-008	RA008RRB + COL	0.5	12.7	1.574	40	0.75	19.05	0.506	12.873
70530806	YET203-010W	0.625	15.875	1.574	40	0.752	19.1	0.472	12
353114X1	RA012RRB + COL	0.75	19.05	1.85	47	0.844	21.438	0.591	15
50807	1012KRRB + COL	0.75	19.05	1.850	47	1.344	34.138	0.551	13.995
12007	1014KPPB3 L/C	0.875	22.225	2.047	52	1.38	35.052	0.590	15
71308770	YET 205 014 + COL	0.875	22.225	2.047	52	0.846	21.49	0.590	15
W9112450	YEL205-014	0.875	22.23	2.047	52	1.374	34.9	0.590	15
834198M1	RA015RRB + COL	0.937	23.825	2.047	52	1.219	30.963	0.590	15
71308962	YEL 205-100-2FW/VT307B	1	25.4	2.047	52	1.375	34.925	0.590	15
71306657	YEL 205-100-2FWU	1	25.4	2.047	52	1.375	34.925	0.590	15
11407V	1100KRRB6	1	25.4	2.047	52	1.375	34.92	0.590	15
71308951	YET 205-100 W	1	25.4	2.047	52	0.846	21.49	0.590	15
353134X1	YET 206-101 W	1.063	26.974	2.441	62	0.937	23.8	0.709	18
70590709	RA102RRB + COL	1.125	28.575	2.440	62	0.937	23.813	0.709	18
70590704	RA102RRB L/C	1.125	28.575	2.440	62	0.938	23.825	0.708	18
7711260	1102KRRB + COL	1.125	28.575	2.44	62	1.437	36.5	0.709	18
353161X1	YET 206-103W	1.187	30.15	2.441	62	0.937	23.8	0.709	18
71308995	1103KRRB3 + COL	1.25	31.75	2.441	62	1.437	36.5	0.709	18
71308984	YET 206-104 + COLLAR	1.25	31.75	2.441	62	0.937	23.8	0.709	18
10033	RA104RRB L/C	1.25	31.75	2.834	72	1	25.4	0.748	19
71309117	YEL-207-104 2FWU	1.25	31.75	2.835	72	1.484	37.694	0.748	19
105794	YHC 207 1042LS8WVT357	1.25	31.75	2.834	72	0.987	25.07	0.669	17
700708091	FH207-22-AP	1.375	34.925	2.834	72	1	25.4	0.748	19
71333775	YET 207-106WU/C3VT307B	1.375	34.925	2.834	72	1	25.4	0.748	19
71309128	1106KRRB + COL	1.375	34.925	2.835	72	1.484	37.694	0.748	19
K4037	1106KRRBC1 L/C	1.375	34.925	2.835	72	1.484	37.694	0.748	19
70547444	RA107RRB + COL	1.437	36.5	2.834	72	1	25.4	0.748	19

WIDE INNER RINGS

# Wide Inner Ring Bearings – Spherical

Listed in Ascending Order by Interior Diameter

Spherical									
AGCO Part No.	Manufacturer Part No.	A Interior Diameter		B Outside Diameter		C Inner Race Width		D Outer Race Width	
		(in)	(mm)	(in)	(mm)	(in)	(mm)	(in)	(mm)
<b>Spherical – Prelube (Continued)</b>									
70596232	Y223NL	1.437	36.5	2.834	72	1.484	37.694	0.748	19
Z50468	FH208-24	1.5	38.1	3.149	80	1.188	30.18	0.866	22
Y713198	RA108RRB3 + COL	1.5	38.1	3.149	80	1.719	43.663	0.866	22
71122510	1108KRRB + COL	1.5	38.1	3.15	80	1.687	42.85	0.866	21.996
831778M1	SBX0838	1.5	38.1	3.149	80	1.5	38.1	0.709	18
712539	N108KRRB + COL	1.5	38.1	3.54	90	1.62	41.148	0.984	25
842874M1	RA109RRB + COL	1.562	39.67	3.149	80	1	25.4	0.708	18
700709619	RAE40RRB + COL	1.575	40	3.15	80	1.18	29.972	0.866	21.996
832746M1	RA110RRB/COL	1.625	41.275	3.346	85	1.024	26.01	0.748	19
70539158	1112KRRB + COL	1.75	44.45	3.346	85	1.688	42.875	0.748	19
Z51318	RA112RRB + COL	1.75	44.45	3.347	85	1.187	30.163	0.866	22
31-0064	W228EL	1.75	44.45	3.346	85	1.188	30.175	0.868	22.047
71138465	RA114RRB+COL	1.889	48	3.543	90	1.181	30	0.866	22
834206M1	RA115RRB + COL	1.937	49.2	3.543	90	1.187	30.15	0.866	21.996
712943	RA115RRB2 + COL	2	50.8	3.54	90	1.188	30.175	0.866	21.996
712158	RA200RRB + COL	2	50.8	3.937	100	1.281	32.537	0.945	24.003
832455M1	1203KRRB + COL	2.187	55.563	3.937	100	2.187	55.55	0.827	21
700704263	RA203RRB + COL	2.187	55.563	3.937	100	1.906	48.412	0.945	24.003
833809M3	N203KPPB2 L/C	2.187	55.563	4.724	120	2.187	55.563	1.141	29
71365065	YAR212-207W	2.875	73.025	4.331	110	2.562	65.075	1.024	26
<b>Spherical – Relube</b>									
844095M1	YET 205 100	1	25.4	2.047	52	0.846	21.49	0.590	15
710210	YG216NL (YG216N- W216-5)	1	25.4	2.047	52	1.375	34.925	0.591	15
70590710	YET 206 102	1.125	28.575	2.440	62	0.937	23.813	0.708	18
1142452	GRAE30RRB + COL	1.18	30	2.44	62	1.41	35.814	0.63	16.002
Y711465	G1103KRRB + COL	1.188	30.175	2.441	62	1.437	36.5	0.709	18
843332M1	GRA103RRB2 + COL	1.25	31.75	2.441	62	0.937	23.8	0.709	18
70590712	YET 207-104	1.25	31.75	2.834	72	1	25.4	0.748	19
11543	YG220E3L1	1.25	31.75	2.834	72	1.48	37.592	0.748	19
Y710434	G1104KRRB + COL	1.25	31.75	2.835	72	1.484	37.694	0.748	19
7745-17	G1103KRRB3	1.25	31.75	2.440	62	1.456	37	0.708	18
N12979	G1106KPPB2 L/C	1.375	34.925	2.834	72	1.484	37.694	0.748	19
712307	HC207-22-XO-AP	1.375	34.925	2.834	72	0.748	19	1.480	37.6
6215759	JEL207D1	1.378	35	2.834	72	1	25.4	0.748	19
843387M1	G1107KRRB/COL	1.437	36.5	2.834	72	1.479	37.577	0.748	19
711630	YET 207-107W	1.437	36.5	2.834	72	1.531	38.887	0.748	19
Z10970	A-RL208-108D1C3	1.5	38.1	3.15	80	1.685	42.8	0.866	22
N17294	GC1108KRRB + COL	1.5	38.1	3.149	80	1.734	44.044	0.827	21
712059	YEL 208-108	1.5	38.1	3.149	80	1.687	42.85	0.826	21

WIDE INNER RINGS

# Wide Inner Ring Bearings – Spherical

Listed in Ascending Order by Interior Diameter

Spherical									
AGCO Part No.	Manufacturer Part No.	A Interior Diameter		B Outside Diameter		C Inner Race Width		D Outer Race Width	
		(in)	(mm)	(in)	(mm)	(in)	(mm)	(in)	(mm)
<b>Spherical – Relube (Continued)</b>									
843636M1	GRA108RRB + COL	1.5	38.1	3.15	80	1.185	30.099	0.866	21.996
SNRT160500	HC208-24	1.5	38.1	3.15	80	1.687	42.85	0.866	22
036308P1	GE40KRRB + COL	1.575	40	3.15	80	1.687	42.86	0.827	21
SNRT160600	HC209-28	1.75	44.45	3.346	85	1.687	42.85	0.866	22
7745-37	YG228E3LK33	1.75	44.45	3.346	85	1.687	42.86	0.866	22
K4438	UG228NL	1.75	44.45	3.346	85	1.938	49.225	1.094	27.788
831877M1	YEL 209-112-2F	1.75	44.45	3.346	85	1.683	42.75	0.866	22
7710015	GC1112KRRB + COL	1.75	44.45	3.35	85	1.843	46.812	0.866	21.996
22602X	G1115KRRB + COL	1.938	49.225	3.543	90	1.938	49.225	0.905	23
7713647	WG2E52U + COL	2	50.8	3.54	90	1.188	30.175	0.866	21.996
714329	UG232NL	2	50.8	3.937	100	1.188	30.175	0.866	21.996
700736727	GRA200RRB + COL	2	50.8	3.937	100	1.281	32.543	0.945	24
12705	YEL 211-203	2.187	55.55	3.937	100	2.19	55.626	1.142	29
15862V	G1211KRRB + COL	2.688	68.278	4.921	125	2.687	68.263	1.102	28
2490830W1	UL315-215D1	2.937	74.6	6.299	160	2.938	74.625	1.535	39

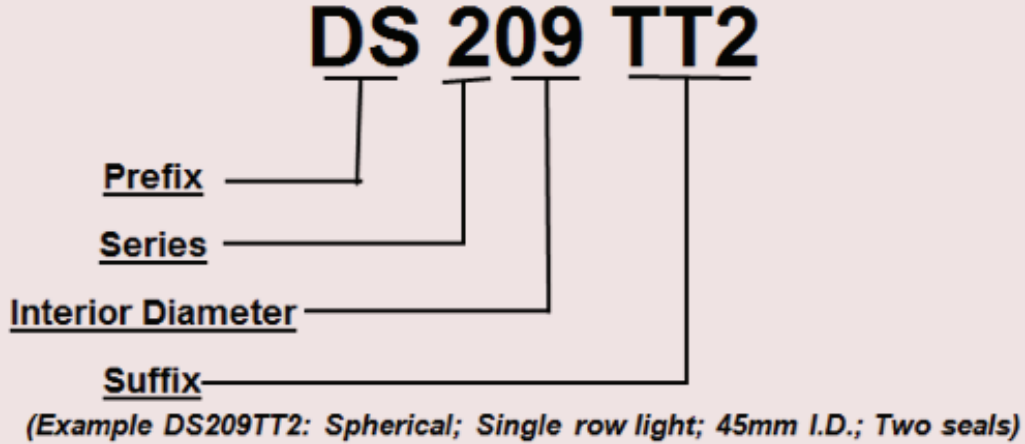
WIDE INNER RINGS



# Disc Harrow Bearings

## Introduction

### How To Read A Manufacturer Disc Harrow Bearing Part Number



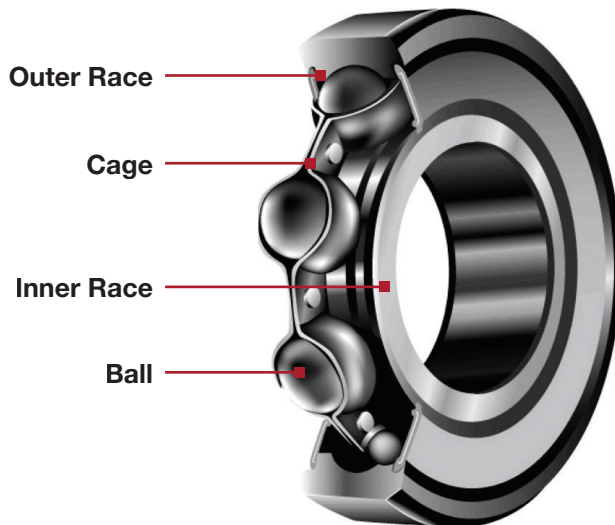
### Disc Harrow Bearing Number Explanation

Prefix		Series		Suffix	
G	Relubricatable	30	Single row metric, small	<b>Timken</b>	
W	Wide-type	100	Single row, extra large	B	Spherical
<b>BCA</b>		200	Single row, light	D : DD	One shield : Two shields
DS	Spherical	300	Single row, medium	L : LL	One seal : Two seals
DC	Cylindrical			P : PP	One seal : Two seals
HPS	Hex bore, spherical			R : RR(2)	One land riding seal : Two land riding seals
FD	Flanged disc asy.			<b>BCA</b>	
<b>NTN</b>				T : TT(2)	One seal : Two seals
AS	Square bore			R	Relubricatable
AC	Round bore			S : SS	One shield : Two shields
AH	Hex bore			<b>NTN</b>	
				L : LL	One seal : Two seals
				D1	Relubricatable

#### Interior Diameter

00	10mm
01	12mm
02	15mm
03	17mm
04	20mm

\*04 and up: multiply the last two numbers by 5 to get bore size in millimeters.



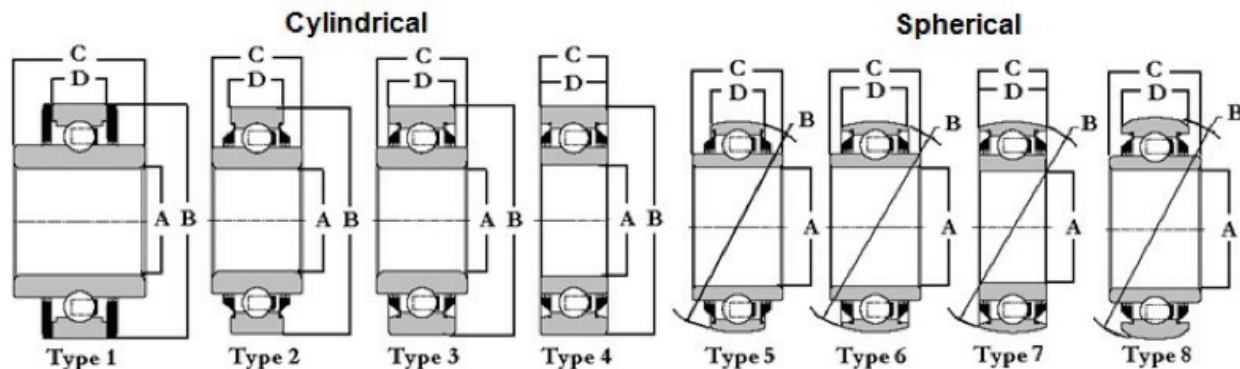
DISC HARROW

# Disc Harrow Bearings

## Introduction

### Identifying the Differences Between Disc Harrow Bearings

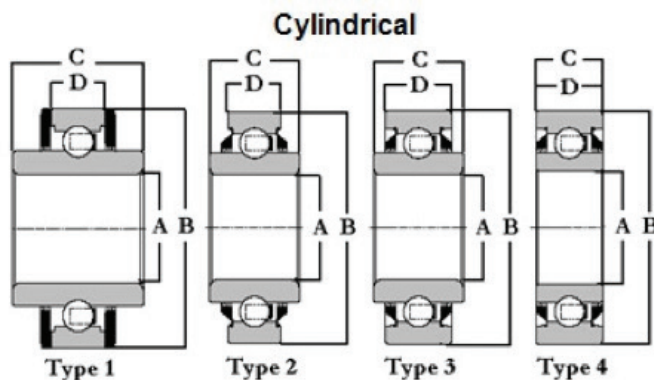
*Additional Sections identify other applications that can use the same AGCO bearing.*



A Cylindrical ball bearing is categorized by Types 1 through 4. These types vary depending on the measurements of the outer race and inner race. A Cylindrical bearing is designed with a flat outer race that restricts misalignment from the shaft and housing.

A Spherical ball bearing is categorized by Types 5 through 8. These types vary depending on the measurements of the outer race and inner race. A Spherical bearing is designed with a rounded outer race that compensates for shaft and housing misalignment.

### Understanding The Disc Harrow Bearing Page Layout

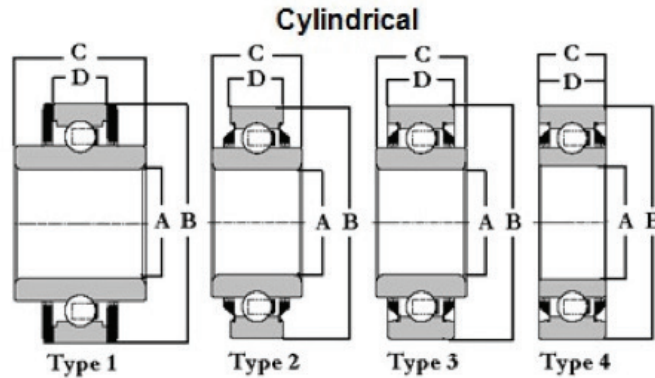


Cylindrical – Prelube											
AGCO Part No.	Manufacturer Part No.	A Interior Diameter		B Outside Diameter		C Inner Race Width		D Outer Race Width		Bore	Type
		(in)	(mm)	(in)	(mm)	(in)	(mm)	(in)	(mm)		
842696M1	205KRR2	0.876	22.25	2.047	52.00	1.000	25.40	0.591	15.00	hx	2

The Illustrations at the beginning of each disc harrow bearing section are used to help identify a bearing in the absence of the Manufacturer's Part Number. The column headings include:  
 (A) Interior Diameter, (B) Outside Diameter, (C) Inner Race Width, (D) Outer Race Width, Bore and Type.

# Disc Harrow Bearings – Cylindrical

Listed in Ascending Order by Interior Diameter



AGCO offers a wide range of bearings from a number of manufacturers.

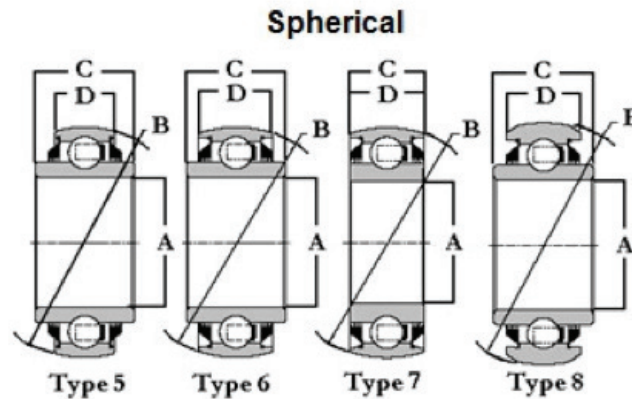
These Manufacturer Part Numbers are listed for reference only. The part number will not guarantee a specific manufacturer.

AGCO Part No.	Manufacturer Part No.	A Interior Diameter		B Outside Diameter		C Inner Race Width		D Outer Race Width		Bore	Type
		(in)	(mm)	(in)	(mm)	(in)	(mm)	(in)	(mm)		
<b>Cylindrical – Prelube</b>											
842696M1	205KRR2	0.876	22.25	2.047	52	1	25.4	0.590	15	hx	2
1905669M1	W208PP8	1.125	28.575	3.149	80	1.437	36.513	1.188	30.175	sq	3
1905678M1	7AS11-1.1/2V1	1.5	38.1	3.94	100	1.312	33.338	1.31	33.274	sq	4
70406677	SBX1184LLSQ1	1.5	38.1	4	101.6	1.75	44.45	1.438	36.525	sq	3
<b>Cylindrical – Relube</b>											
70596130	GW209PP5	1.25	31.75	3.34	84.836	1.44	36.576	1.19	30.226	sq	1
EP5403	DC211TTR4	1.5	38.1	3.937	100	1.75	44.45	1.312	33.32	sq	3
3634465M1	GW211PP17	1.5	38.1	3.937	100	1.312	33.325	1.312	33.325	sq	3
70594491	7AS11-1.1/2D1V2	1.5	38.1	3.937	100	1.312	33.325	1.312	33.325	sq	4
SN3091	GW211PP25-GX	1.75	44.45	3.937	100	1.75	44.45	1.312	33.338	rd	4



# Disc Harrow Bearings – Spherical

Listed in Ascending Order by Interior Diameter



AGCO offers a wide range of bearings from a number of manufacturers.

These Manufacturer Part Numbers are listed for reference only. The part number will not guarantee a specific manufacturer.

AGCO Part No.	Manufacturer Part No.	A Interior Diameter		B Outside Diameter		C Inner Race Width		D Outer Race Width		Bore	Type
		(in)	(mm)	(in)	(mm)	(in)	(mm)	(in)	(mm)		
<b>Spherical – Prelube</b>											
842704M1	HPS100GPN	1	25.4	2.441	62	0.945	24	0.876	22.25	hx	5
834367M1	W208PPB6	1	25.4	3.15	80	1.438	36.53	0.709	18	sq	5
447899M1	DS208TT12B	1.125	28.58	3.443	87.45	1.438	36.53	1.188	30.18	sq	8
843638M1	W208PPB5 D5	1.125	28.58	3.347	85	1.438	36.53	0.709	18	sq	5
SN24A-5301	W208PPB5	1.125	28.58	3.15	80	1.438	36.53	0.709	18	sq	5
W237092B	1AC08-1.3/16C3	1.187	30.15	3.15	80	1.183	30.04	0.709	18	rd	5
70575883	W208PPB16	1.25	31.75	3.15	80	1.438	36.51	0.709	18	hx	5
842303M1	SBX09A47LLSC3/8AQ1	1.25	31.8	3.347	85	1.438	36.51	1.188	30.18	sq	6
34-0103	DS209TT4	1.525	38.74	3.347	85	1.188	30.16	1.188	30.16	rd	7
31-0072	W209PPB2	1.771	45	3.347	85	1.188	30.16	1.188	30.16	rd	7
<b>Spherical – Relube</b>											
W20H5836	DS208TTR6	1	25.4	3.15	80	1.438	36.51	0.945	24	sq	6
W238481B	2AS08-1.1/8D1V1	1.125	28.58	3.15	80	1.437	36.5	1.189	30.2	sq	6
70586143	GW208PPB29	1.25	31.75	3.14	79.76	1.43	36.32	1.18	29.97	hx	5
70589573	GW209PPB5	1.25	31.75	3.347	85	1.438	36.53	1.188	30.18	sq	6
70583939	3AS11-1.1/2D1V3	1.5	38.1	3.937	100	1.311	33.3	1.311	33.3	sq	7
832540M1	3AS11-1.1/2CN	1.5	38.1	3.937	100	1.311	33.3	1.311	33.3	sq	7
EP6576	GW209PPB4	1.525	39	3.347	85	1.188	30.16	1.188	30.16	rd	7
SN1829	GW209PPB4	1.525	39	3.347	85	1.188	30.16	1.188	30.16	rd	7
SN2042	SBX1181LLSQ1	1.775	45.09	3.937	100	1.312	33.32	0.984	25	rd	7
8050056	GW209PPB11 PRB	1.781	45.24	3.347	85	1.438	36.51	0.866	22	rd	5
E10771	3AC10-1.15/16D1V1	1.938	49.21	3.543	90	1.188	30.16	1.188	30.16	rd	7
1905683M1	GW211PPB2	2.188	55.58	3.937	100	1.312	33.32	1.31	33.27	rd	7
<b>Flanged Disc Units – Relube</b>											
W238799B	DHU1 1/8 S209	1.125	28.58	5	127	1.688	42.88	1.672	42.47	sq	Flange
SNFK311007	FD2091-1/4 SQ	1.25	31.75	5	127	1.688	42.88	1.672	42.47	sq	Flange
W238813B	FD209TTREN/3A	1.5	38.86	5	127	1.688	42.88	1.672	42.47	rd	Flange
SN19429	FD209K50	1.77	44.96	3.865	98.17	1.747	44.37	1.63	41.4	Rd	Flange



# Radial Roller Bearings

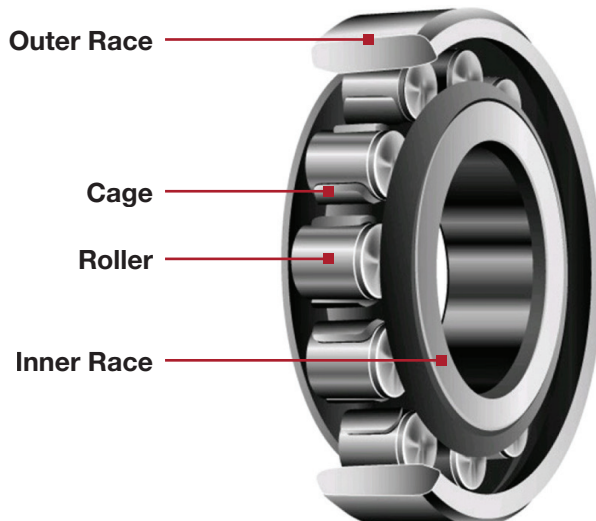
## Introduction

### How To Read A Manufacturer Roller Bearing Part Number

Cylindrical Roller Bearing Part No. Detail	Spherical Roller Bearing Part No. Detail
<b>NU 1205 E C2</b>	<b>22211 E C3</b>
<p>Type: NU</p> <p>Series: 1205</p> <p>Interior Diameter: E</p> <p>Suffix: C2</p>	<p>Spherical: 222</p> <p>Series: 11</p> <p>Interior Diameter: E</p> <p>Suffix: C3</p>
<p>(Example NU1205E C2: Straight inner ring, w/ outer ring and roller asy.; 25mm I.D.; Two ribbed outer ring; Larger internal clearance)</p>	<p>(Example 23240C3: Spherical, 55mm I.D.; Two ribbed outer ring; Larger internal clearance)</p>

### Roller Bearing Number Explanation

Type	Series	Interior Diameter
<p><b>NTN</b></p> <p><b>FAG</b></p> <p><b>Timken</b></p> <p>N Straight outer ring, w/inner ring and roller asy.</p> <p>NU Straight inner ring, w/outer ring and roller asy.</p> <p>NF 1 lip outer ring w/inner ring and roller asy.</p> <p>NJ 1 lip inner ring w/outer ring and roller asy.</p> <p>NUP Collar attached to ribless side of inner ring</p> <p>R, RN, RNU Special cylindrical roller bearings</p> <p><b>Link-Belt</b></p> <p>MU-TV Straight outer ring w/inner ring and roller asy.</p> <p>MA-TV Straight inner ring w/outer ring and roller asy.</p> <p>MR-TV 1 lip inner ring w/outer ring and roller asy.</p>	<p>Identifies the variations in design of the rollers, cage, inner race and outer race</p>	<p>Multiply the last two numbers by 5 to get the interior diameter size in millimeters.</p> <p>5 x 5 = 25mm</p> <p>40 x 5 = 200mm</p>
		<p><b>Suffix</b></p> <p>C2, C3 Larger internal clearance</p> <p>E Two ribbed outer ring</p> <p>M1 Machined brass cage</p> <p>T Glass fiber polyamide cage</p> <p>W33 Lubrication groove</p>

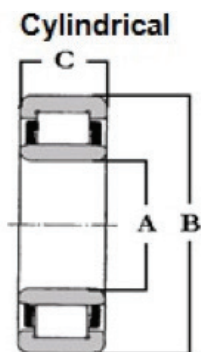


# Radial Roller Bearings

## Introduction

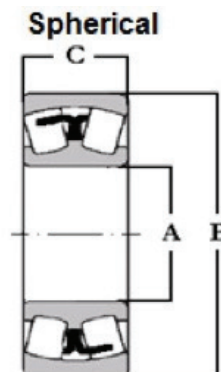
### Identifying The Differences Between Roller Bearings

Roller bearings in this section are categorized by the internal race way design: Cylindrical (flat) and Spherical (rounded).



A Cylindrical roller bearing is designed with a flat internal raceway.

A Cylindrical roller bearing offers a higher load capacity than a ball bearing of the same size.

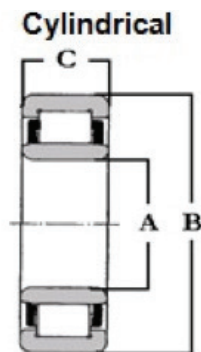


A Spherical roller bearing is designed with a rounded internal raceway.

A Spherical roller bearing is designed to accept a higher load capacity from the increase in surface contact area and the internal raceway design.

Roller bearings are commonly found in heavy-duty moderate speed applications.

### Understanding The Roller Bearing Page Layout



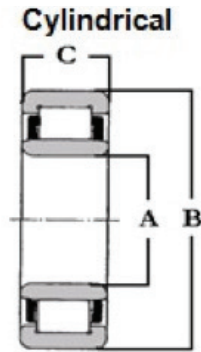
Cylindrical Roller Bearings							
AGCO Part No.	Manufacturer Part No.	A Interior Diameter		B Outside Diameter		C Inner Race Width	
		(in)	(mm)	(in)	(mm)	(in)	(mm)
3003369X1	NJ309	0.787	20.00	2.047	52.00	0.591	15.00

The illustration at the beginning of each roller bearing section are used to help identify a bearing in the absence of the Manufacturer's Part Number.

Column headings include: (A) Interior Diameter, (B) Outside Diameter and (C) Width.

# Radial Roller Bearings – Cylindrical

Listed in Ascending Order by Interior Diameter



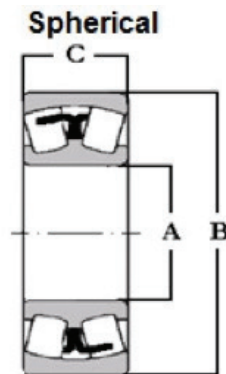
AGCO offers a wide range of bearings from a number of manufacturers.

These Manufacturer Part Numbers are listed for reference only. The part number will not guarantee a specific manufacturer.

Cylindrical Roller Bearings							
AGCO Part No.	Manufacturer Part No.	A Interior Diameter		B Outside Diameter		C Inner Race Width	
		(in)	(mm)	(in)	(mm)	(in)	(mm)
70211700	NU303ECP	0.669	17	1.850	47	0.551	14
72094326	NUP2203E.TVP2	0.669	17	1.574	40	0.629	16
71374803	YCRSC-40	0.750	19.05	2.5	63.5	1.562	39.69
3003369X1	NJ309	0.787	20	2.047	52	0.590	15
8050635	MU1205TV	0.984	25	2.047	52	0.590	15
74255338	NU205E	0.984	25	2.047	52	0.590	15
191250M1	431935-C	1.181	30	2.438	61.935	0.75	19.05
3734345M1	NU207C3	1.377	35	2.834	72	0.669	17
1101814	NJ307E.TVP2.C3	1.377	35	3.149	80	0.826	21
D41636700	NJ2307	1.378	35	3.150	80	1.220	31
1612707M1	RNU-405	1.527	38.801	3.149	80.004	0.826	21
1274034	NJ208ECPC3	1.574	40	3.149	80	0.708	18
72161843	83A551B	1.574	40	2.440	62	0.944	24
3387381M1	NU1007ECP	1.653	42	2.440	62	0.551	14
72160729	MU1209TV	1.771	45	3.346	85	0.748	19
843383M1	RNU2209	1.771	45	3.346	85	0.905	23
1692590M1	A-712	2.165	54.985	3.936	99.985	0.821	20.85
843686M1	RNU209FY	2.165	55	3.346	85	0.748	19
3003372X1	NUP-211	2.165	55	3.937	100	0.826	21
72160722	M1309EL	2.337	59.36	3.937	100	0.984	25
EE360	NU212	2.362	60	4.330	110	0.866	22
72160419	M1211EL	2.633	66.9	3.937	100	0.826	21
8050593	SB-22315-SS	2.952	75	6.299	160	2.165	55

# Radial Roller Bearings – Spherical

Listed in Ascending Order by Interior Diameter



AGCO offers a wide range of bearings from a number of manufacturers.

These Manufacturer Part Numbers are listed for reference only. The part number will not guarantee a specific manufacturer.

Spherical Roller Bearings							
AGCO Part No.	Manufacturer Part No.	A Interior Diameter		B Outside Diameter		C Inner Race Width	
		(in)	(mm)	(in)	(mm)	(in)	(mm)
1142451	16205	0.787	20	1.039	26.41	0.826	21
700714310	BAH-0013	1.377	35	2.836	72	1.299	33
71309694	22208CCW33	1.574	40	3.149	80	0.905	23
71344496	22308CJW33C3	1.574	40	3.543	90	1.299	33
844520M1	21309E	1.771	45	3.937	100	0.984	25
8051005	22211E/C3	2.165	55	3.937	100	0.984	25
700715741	22213E/C3W33	2.559	65	4.724	120	1.220	31
700138991	22315BD1C3	2.953	75	6.299	160	2.165	55
700706041	23030BD1C3	5.906	150	8.858	225	2.205	56

# Tapered Roller Bearings

## Introduction

### How To Read A Manufacturer Tapered Roller Bearing Part Number

Inch / Metric Series	Roller
<b>4T-H825810</b>	<b>30308</b>
<p><b>Prefix</b> — 4</p> <p><b>Angularity</b> — T</p> <p><b>Series</b> — H82</p> <p><b>Component</b> — 5810</p> <p><i>(Example 4T-H825810: Case hardened; Heavy; Angularity is 36° to 44.9°; 5.01" to 6" I.D.; Cup)</i></p>	<p><b>Type</b> — 3</p> <p><b>Width Series</b> — 0</p> <p><b>Diameter Series</b> — 30</p> <p><b>Interior Diameter</b> — 8</p> <p><i>(Example 30308: Tapered Asy.; Small width; Large diameter; 40mm I.D.)</i></p>

TAPERED ROLLER

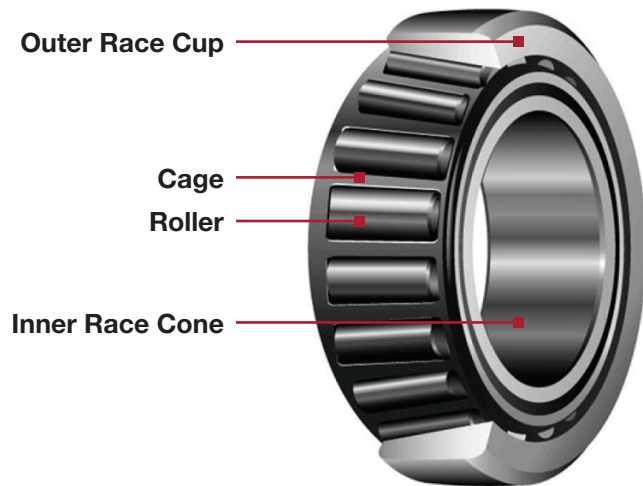
### Tapered Roller Bearing Number Explanation

#### Inch / Metric Series

Prefix	Angularity	Series	Component
<b>NTN</b>	<b>No.</b> <b>Cup Angle</b>	<b>No.</b> <b>Interior Diameter (inches)</b>	Cup: 10 to 19 Cone: 30 to 49
4T    Case hardened	1    0° to 23.9°	00 – 19    0 to 1"	
<b>Timken</b> <b>Koyo</b> <b>NTN</b>	2    24° to 25.49°	20 – 99    1.01" to 2"	
J    Metric bore	3    25.5°	000 – 029    1.01" to 2"	
L    Light	4    27° to 28.49°	039 – 129    2.01" to 3"	
LM    Light-medium	5    8.5° to 30.49°	130 – 189    3.01" to 4"	
M    Medium	6    30.5° to 32.49°	190 – 239    4.01" to 5"	
H    Heavy	7    32.5° to 35.9°	240 – 289    5.01" to 6"	
HM    Heavy-medium	8    36° to 44.9°	290 – 339    6.01" to 7"	
	9    45° to thrust only		
	0    Thrust-bearing only		

#### International Standard Series

Type	Interior Diameter	Width Series	Diameter Series
The first digit of the ISO series is always 3 to indicate the bearing is a tapered assembly.	00    10mm 01    12mm 02    15mm 03    17mm 04    20mm	0, 2 or 3 represents the width series. With 0 being the smallest and 3 the largest	0, 2 or 3 represents the diameter series. With 0 being the smallest and 3 the largest
	*04 and up: multiply the last two numbers by 5 to get bore size in millimeters.		
	<b>Metric:</b> The last two numbers is the size of the interior diameter in millimeters		

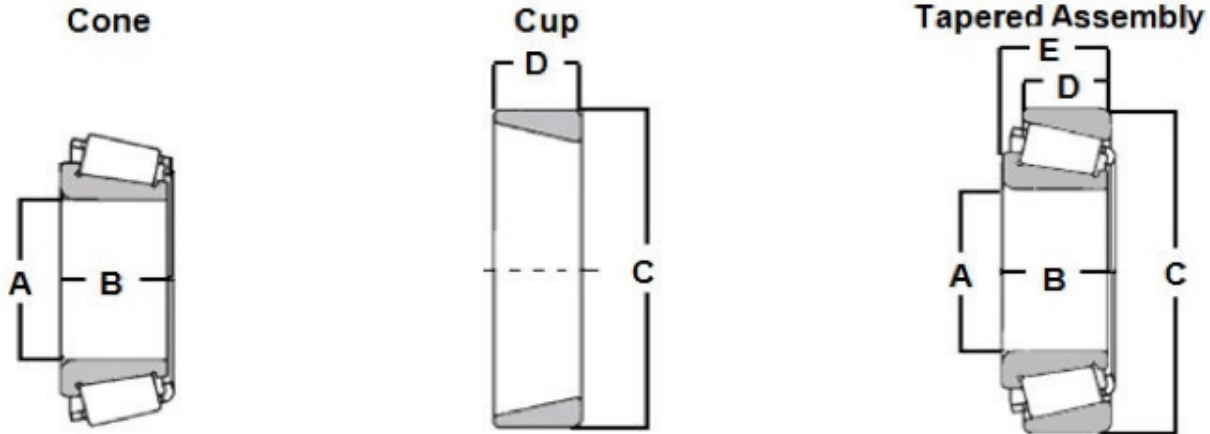


# Tapered Roller Bearings

## Introduction

### Identifying The Advantages Of Tapered Roller Bearings

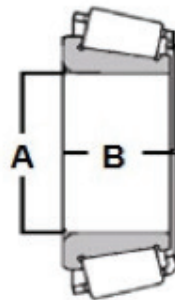
Note: Although each bearing manufacturer follows ABMA (American Bearing Manufacturers Association) standards, it is not advisable to pair cups and cones from different manufacturers.



Tapered roller bearings are used in a number of applications throughout the off-road industry. The simple design of how the cone (inner ring) matches to the cup (outer ring) allows for applying both thrust (side-to-side) and radial (up and down) loads. In the Cup and Cone sections, there are dimensional and group number information listed. Group numbers are to be used in the Cups and Cones Interchange section to identify other possible cup and cone combinations. These groups feature the same internal construction and load capacities. Any cone within a group can be combined with any cup in the same group. Example: On page 38, 760906M1 is a Group 1 Cone. The corresponding cups that fit this Cone can be found in the Cups and Cones Interchange section on page 52. Part number 760906M1 can be used with the following cups: 760907M1 or 70207570.

TAPERED ROLLER

### Understanding The Tapered Roller Bearing Page Layout



Cone

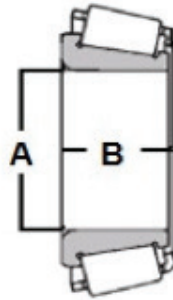
Cones						
AGCO Part No.	Manufacturer Part No.	A Interior Diameter		B Outside Diameter		Group No.*
		(in)	(mm)	(in)	(mm)	
760906M1	5BC	1.114	28.313	0.309	7.853	1

The Illustrations at the beginning of each tapered roller bearing section are used to help identify a bearing in the absence of the Manufacturer's Part Number. Depending on the section, column headings will show the dimensions for a cone or cup.

Column headings include: (A) Interior Diameter, (B) Cone Width, (C) Outside Diameter, (D) Cup Width and Group.

# Tapered Roller Bearings Cones

Listed in Ascending Order by Manufacturer Part No.



Cone

AGCO offers a wide range of bearings from a number of manufacturers.

These Manufacturer Part Numbers are listed for reference only. The part number will not guarantee a specific manufacturer.

TAPERED ROLLER

Cones						
AGCO Part No.	Manufacturer Part No.	A Interior Diameter		B Outside Diameter		Group No.*
		(in)	(mm)	(in)	(mm)	
760906M1	5BC	1.114	28.313	0.309	7.853	1
832397M1	4CB	0.812	20.637	0.476	12.090	2
70228150	11-BC	1.181	30	0.393	10	3
HA5019	21-BC	1.375	34.930	0.402	10.231	4
JT9202	31-BC	1.599	40.619	0.407	10.337	5
72090691	35BC	1.535	39	0.511	13	6
SN3061	342A	1.625	41.275	1.180	30	7
832729M1	342A	1.625	41.275	1.180	30	7
10A22365	342S	1.688	42.875	0.882	22.402	7
842789M1	344A	1.574	40	0.882	22.402	7
70211562	355	1.75	44.45	0.854	21.691	8
71119313	355A	1.75	44.45	0.854	21.691	8
831304M1	368	2	50.8	0.875	22.225	9
70936730	368-S	2.031	51.592	0.875	22.225	9
70225110	370A	2	50.8	0.875	22.225	9
70211563	385	2.165	55	0.864	21.945	10
3405342M91	386A	1.875	47.625	0.864	21.945	10
10A7291	387	2.25	57.15	0.864	21.945	10
72163092	387A	2.25	57.15	0.864	21.945	10
35A3399	387S	2.25	57.15	0.864	21.945	10
982092	389A	2.125	53.975	0.864	21.945	10
70209894	395	2.5	63.5	0.866	21.996	11
1851392M91	395A/394A	2.625	66.68	0.866	22	11
700710545	395LA 902A4	2.687	68.262	0.866	21.996	11
3074890M1	395S/394A	2.625	66.68	0.866	22	11
70043002	397	2.362	510	0.866	21.996	11
3010192X91	399AS/394A	2.688	68.26	0.866	22	11

\* Use Group Number to reference the Cups and Cones Interchange Section.



# Tapered Roller Bearings Cones

Listed in Ascending Order by Manufacturer Part No.

Cones						
AGCO Part No.	Manufacturer Part No.	A Interior Diameter		B Outside Diameter		Group No.*
		(in)	(mm)	(in)	(mm)	
195675M1	462 A	2.25	57.15	1.154	29.316	12
300974M1	4T-462	2.25	57.15	1.154	29.319	12
72507597	475	2.165	55	1.142	29	13
7714363	495	3.25	82.55	1.172	29.768	14
73024650	497	3.375	85.725	1.172	29.768	14
700704966	497A	3.375	85.725	1.172	29.768	14
70238936	498	3.312	84.137	1.172	29.768	14
843680M2	526	1.625	41.275	1.42	36.068	15
AG721060	555S	2.25	57.15	1.444	36.677	16
7713134	567	2.875	73.025	1.424	36.169	17
103758A	568	2.906	73.820	1.424	36.169	17
70053509	593	3.5	88.9	1.43	36.322	19
190460M1	4T-594	3.75	95.25	1.43	36.322	19
71409752	594A	3.75	95.25	1.43	36.322	19
70937174	643	2.75	69.85	1.625	41.275	21
982384	750A	3.25	82.55	1.837	46.672	23
700706030	755	3	76.2	1.9	48.26	24
700706033	759	3.5	88.9	1.9	48.26	24
700715742	799	5.062	128.574	1.875	47.625	25
70800449	1380	0.875	22.225	0.794	20.167	26
70927954	2580	1.25	31.75	0.998	25.356	27
71143200	2585	1.312	33.337	0.998	25.356	27
70525980	2689	1.125	28.575	1	25.433	28
800334	2690	1.156	29.367	1	25.433	28
70222214	2776	1.5	38.1	1.01	25.654	29
70530468	2780	1.436	36.487	1.01	25.654	29
70539114	2788	1.5	38.1	1.01	25.654	29
10A26950	2788A	1.5	38.1	1.01	25.654	29
74255820	2789	1.562	39.687	1.01	25.654	29
SNRT019551	2790	1.312	33.337	1.01	25.654	29
204257	2790	1.312	33.337	1.01	25.654	29
70929653	2793	1.375	34.925	1.01	25.654	29
70240445	2796	1.375	34.925	1.01	25.654	29
BB5014A	2820	2.875	73.025	0.687	17.462	30
70228297	2877	1.375	34.925	0.937	23.799	30
BA5014A	2879	1.25	31.75	0.937	23.812	30
72160238	3193	1.25	31.75	1.181	29.997	32
70931014	3196	1.312	33.337	1.181	29.997	32
982603	3379	1.375	34.925	1.196	30.391	33

TAPERED ROLLER

\* Use Group Number to reference the Cups and Cones Interchange Section.

# Tapered Roller Bearings Cones

Listed in Ascending Order by Manufacturer Part No.

TAPERED ROLLER

Cones						
AGCO Part No.	Manufacturer Part No.	A Interior Diameter		B Outside Diameter		Group No.*
		(in)	(mm)	(in)	(mm)	
KT7109A	3383	1.625	41.275	1.196	30.391	33
71162778	3490	1.5	38.1	1.172	29.771	34
22245X	3578R	1.75	44.45	1.216	30.89	35
982629	3579	1.687	42.862	1.216	30.886	35
22245X	4T-3578	1.75	44.45	1.216	30.886	35
70605175	3767	2.062	52.387	1.193	30.302	37
AG603953	3780	2	50.8	1.193	30.302	37
882554M91	3780/3720	2	50.8	1.193	30.3	37
833805M1	3781	1.937	49.212	1.193	30.302	37
1851388M91	3782/3720	1.75	44.45	1.187	30.16	37
70253011	3784	2	50.8	1.193	30.302	37
195162M1	3795	2	50.8	1.193	30.302	37
70932843	3875	1.5	38.1	1.187	30.162	38
70210011	3876	1.5	38.1	1.187	30.162	38
71377535	3880	1.625	41.275	1.187	30.162	38
3612310M1	3980	2.375	60.33	1.183	30.05	39
70209905	3982	2.5	63.5	1.183	30.048	39
195159M1	3984	2.625	66.675	1.183	30.048	39
3405249M91	4388/4335	1.625	41.275	1.59	40.386	40
843630M2	4595	2.125	54	1.581	40.157	41
70932875	5584	2.5	63.5	1.723	43.764	43
982755	5760	3	76.2	1.815	46.101	44
AG721071	6461A	3	76.2	2.135	54.229	46
70930869	6559C	3.25	82.55	2.169	55.100	47
CH1J-4757	6580	3.5	88.9	2.169	55.100	47
700703797	9185	2.687	68.262	1.812	46.037	48
700706027	9386H	3.312	84.137	1.812	46.037	49
70232247	2473	1	25.4	0.875	22.225	50
7445-14	2476	1.25	31.75	0.875	22.225	50
70228297	3877	1.625	41.275	1.187	30.162	51
50112	7100	1	25.4	0.561	14.259	52
150662M11	9067/9195	0.75	19.05	0.71	18.03	52
70209925	9074	0.75	19.05	0.848	21.539	53
70800186	9081	0.812	20.624	0.848	21.539	53
70336915	LM11749	0.687	17.462	0.575	14.605	54
711044	LM11900LA 902A1	0.75	19.05	0.655	16.637	55
831055M1	LM11949	0.75	19.05	0.655	16.637	55
70229044	12175	1.75	44.45	0.675	17.145	56
H458951R91	M12600LA 902A1	0.843	21.429	0.751	19.075	58

\* Use Group Number to reference the Cups and Cones Interchange Section.

# Tapered Roller Bearings Cones

Listed in Ascending Order by Manufacturer Part No.

Cones						
AGCO Part No.	Manufacturer Part No.	A Interior Diameter		B Outside Diameter		Group No.*
		(in)	(mm)	(in)	(mm)	
70228152	M12649	0.843	21.429	0.72	18.288	58
70927437	LM12749	0.865	22	0.61	15.494	59
71127426	13600LA 902A1	1.5	38.1	0.75	19.05	60
70937209	13685	1.5	38.1	0.75	19.05	60
70248357	13686	1.5	38.1	1.031	26.195	60
70227846	13687	1.5	38.1	0.75	19.05	60
831335M1	14120	1.19	30.226	1.052	26.720	61
831043M1	14123 AA	1.25	31.75	1.052	26.720	61
Z757088	14124	1.25	31.75	0.771	19.58	61
850533M1	14125A	1.25	31.75	0.771	19.583	61
831133M1	14136 AA	1.375	34.925	1.052	26.720	61
70211999	14137A	1.375	34.925	0.771	19.583	61
70209889	14138A	1.375	34.925	0.771	19.583	61
74253254	14139	1.377	34.975	0.771	19.583	61
70225608	15101	1	25.4	0.812	20.637	62
72162540	15102	1	25.4	0.812	20.637	62
850179M1	15113	1.125	28.575	0.812	20.637	62
15576X	15117	1.181	30	0.812	20.637	62
70209926	15118	1.189	30.213	0.812	20.637	62
70209985	15120	1.189	30.213	0.812	20.637	62
70230666	15120	1.189	30.213	0.812	20.637	62
1850224M91	15123/15245	1.25	31.75	0.75	19.05	62
70323297	15126	1.25	31.75	0.812	20.637	62
70210117	15578	1	25.4	0.687	17.462	64
712026	16137	1.375	34.925	0.812	20.637	65
70541938	16150	1.5	38.1	0.812	20.637	65
983080	18685	1.75	44.45	0.687	17.462	67
983081	18690	1.812	46.037	0.687	17.462	67
983088	18790	2	50.8	0.687	17.462	68
7445-45	19150	1.5	38.1	0.65	16.51	69
658139M1	19138	1.377	34.975	0.650	16.520	69
983120	22778	1.625	41.275	1.062	27	70
70242911	23690	1.375	34.925	1.062	27	71
850182M1	24780	1.625	41.275	0.906	23	72
70225633	25570	1.437	36.512	1	25.4	73
70929161	25572	1.5	38.1	1	25.4	73
7713167	25577	1.688	42.875	1	25.4	73
70210008	25580	1.75	44.45	1	25.4	73
X11300	25581	1.75	44.45	1	25.4	73

\* Use Group Number to reference the Cups and Cones Interchange Section.

TAPERED ROLLER

# Tapered Roller Bearings Cones

Listed in Ascending Order by Manufacturer Part No.

TAPERED ROLLER

Cones						
AGCO Part No.	Manufacturer Part No.	A Interior Diameter		B Outside Diameter		Group No.*
		(in)	(mm)	(in)	(mm)	
7445-72	25583	1.75	44.45	0.944	24	73
74253936	25584	1.771	44.983	1	25.4	73
893375M91	25590/25520	1.796	44.562	1	25.4	73
SNYYB-335	25590	1.796	45.618	1	25.4	73
15853X	25877	1.375	34.925	0.968	24.608	74
713586	25878	1.375	34.925	0.968	24.608	74
10A21642	25880	1.436	36.487	0.968	24.607	74
70047751	26878	1.5	38.1	1	25.4	75
70209899	26882	1.625	41.275	1	25.4	75
74254984	26884	1.688	42.875	1	25.4	75
1881931M91	27687	3.25	82.55	1	25.4	76
1885155M91	27690	3.281	83.345	1	25.4	76
1861106M91	27695/27620	3.346	84.98	1	25.4	76
713412	27880	1.5	38.1	0.933	23.698	77
WKA5014	28580	2	50.8	1	25.4	78
157168A	28678	2	50.8	0.968	24.607	79
713156	28680	2.187	55.562	0.968	24.607	79
1886195M91	28682/28622	2.25	57.15	0.969	24.61	79
700706039	28990	2.44	61.976	0.968	24.607	80
15612	28995	2.47	62.738	1	25.4	80
70929620	29580	2.362	510	1	25.4	81
834830M1	4T-29582	2.362	510	1	25.4	81
10A20106	29585	2.5	63.5	1	25.4	81
70253499	29590	2.625	66.675	1	25.4	81
833638M1	29675	2.75	69.85	1	25.4	82
1860503M93	29685/29620	2.875	73.025	1	25.4	82
15871	LM29700LA 902A1	1.5	38.1	0.72	18.288	83
70555361	LM29749	1.5	38.1	0.72	18.288	83
700006211	30204	0.787	20	0.551	14	84
700006210	30205	0.984	25	0.591	15	85
72160241	31597	1.437	36.512	1.125	28.575	86
700703795	33251	2.5	63.5	1.187	30.162	87
504227M1	33275	2.75	69.85	1.187	30.162	87
831733M1	33287	2.875	73.025	1.187	30.162	87
70061087	33889	2	50.8	1.125	28.575	88
70931618	33891	2.062	52.387	1.125	28.575	88
74254801	33895	2.125	53.975	1.125	28.575	88
AG707333	34300	3	76.2	0.906	23	89
10A8440	34301	3	76.2	0.906	23	89

\* Use Group Number to reference the Cups and Cones Interchange Section.

# Tapered Roller Bearings Cones

Listed in Ascending Order by Manufacturer Part No.

Cones						
AGCO Part No.	Manufacturer Part No.	A Interior Diameter		B Outside Diameter		Group No.*
		(in)	(mm)	(in)	(mm)	
70619872	34306	3.062	77.774	0.906	23	89
983367	35176	1.75	44.45	0.906	23	90
1850909M91	37425	4.25	107.95	0.844	21.438	91
70933165	39573	2	50.8	1.187	30.162	93
74254258	39580	2.25	57.15	1.187	30.162	93
74253787	39585	2.5	63.5	1.187	30.162	93
588221M2	39590	2.625	66.675	1.187	30.162	93
70929667	42375A	3.75	95.25	1.140	28.97	94
AG706729	42381	3.812	96.824	1.140	28.97	94
771130M1	42381	3.813	96.862	1.140	28.97	94
700720334	42687	3	76.2	1.22	31	95
700720518	42690	3.062	77.774	1.22	31	95
10P2421	43125	1.25	31.75	0.947	24.074	96
71326257	L44600LA	1	25.4	0.58	14.732	97
70341230	L44643	1	25.4	0.58	14.732	97
70937219	L44649	1.062	27	0.58	14.732	97
70080730	45285	2	50.8	1.218	30.958	98
70073112	45290	2.25	57.15	1.218	30.958	98
70244167	45291	2.25	57.15	1.218	30.958	98
983527	47681	3.187	80.962	1.312	33.337	100
832590M1	47686	3.25	82.55	1.312	33.337	100
983530	47687	3.25	82.55	1.312	33.337	100
AG705959	48290	5	127	1.5	38.1	101
AG519693	48393	5.375	136.525	1.562	39.674	102
700710380	48385	5.25	133.35	1.562	39.687	102
843036M1	4T-LM48548A	1.375	34.925	0.72	18.288	103
70926702	LM48500LA 902A1	1.375	34.925	0.72	18.288	103
SN1602	LM48548	1.375	34.925	0.72	18.288	103
AG604447	52400A	4	101.6	1.421	36.093	104
195163M1	53177	1.75	44.45	1.114	28.300	105
8050676	55200	2	50.8	1.059	26.908	106
AG711900	64450	4.5	114.3	1.625	41.275	109
AG706906	65237-A	2.375	60.325	1.75	44.45	110
70531251	LM67000LA 902A1	1.25	31.75	0.66	16.764	112
711507	LM67048	1.25	31.75	0.66	16.764	112
71314481	67390	5.25	133.35	1.812	46.037	113
700717118	L68149	1.378	34.99	0.66	16.76	115
AG012658	68462	4.625	117.475	1.25	31.75	116
70582092	JL69349	1.496	38	0.699	17.762	117

\* Use Group Number to reference the Cups and Cones Interchange Section.

TAPERED ROLLER

# Tapered Roller Bearings Cones

Listed in Ascending Order by Manufacturer Part No.

TAPERED ROLLER

Cones						
AGCO Part No.	Manufacturer Part No.	A Interior Diameter		B Outside Diameter		Group No.*
		(in)	(mm)	(in)	(mm)	
AG132710	72212C	2.125	53.98	1.291	32.79	118
AG520699	74550	5.5	139.7	1.875	47.625	119
8050270	M84548	1	25.4	0.765	19.431	122
3310930M91	M86649/M86610	1.188	30.16	0.844	21.43	122
832926M1	M88048	1.312	33.337	0.875	22.225	124
831487M1	HM88542	1.25	31.75	1.093	27.782	125
7710114	HM88649	1.375	34.925	1	25.4	126
70244162	HM89446	1.375	34.925	1.125	28.575	127
70927953	HM89449	1.437	36.499	1.125	28.575	127
70927270	LM102949	1.781	45.242	0.78	19.812	128
X14867	JLM104948	1.968	50	0.846	21.501	129
70929742	LM104949	2	50.8	0.875	22.225	129
4303274	M201047	1.562	39.687	0.87	22.098	130
71162781	JM205149	1.968	410	1.102	28	131
70928284	JM207049	2.165	55	1.141	29	132
70928064	JH211749	2.559	65	1.515	38.498	133
70087027	HM212046	2.5	63.5	1.51	38.354	134
70931012	HM212049	2.625	66.675	1.51	38.354	134
72162346	HM218238	3.149	80	1.574	40	136
70928056	HM218248	3.542	90	1.574	40	136
70931025	JH307749	2.165	55	1.535	39	139
72163082	L319249	3.75	95.25	0.843	21.412	140
1612560M1	4T-JH415647	2.952	75	2.007	50.998	142
74254700	LM501349	1.625	41.275	0.78	19.812	143
834828M1	JLM506849	2.165	55	0.905	23	145
700723853	JLM506849A	2.165	55	0.905	23	145
70933017	JLM508748	2.362	510	0.944	24	146
70929399	JM511946	2.559	65	1.102	28	147
70927347	JM515649	3.149	80	1.338	34	148
70929726	HM516448	3.25	82.55	1.562	39.687	149
834815M1	JHM516849	3.346	85	1.496	38	150
AG027643	LM522548	4.33	110	1.375	34.93	151
700715743	JHM522649	4.33	110	1.811	46	152
556999D1	LM545849	9.25	234.95	1.937	49.2	154
SN3683	LM603049	1.781	45.242	0.781	19.842	155
833095M1	LM603049	1.781	45.242	0.781	19.842	155
843857M1	4T-L610549	2.5	63.5	0.753	19.126	156
71162724	JM612949	2.755	610	1.141	29	157
70240364	LM613449	2.75	69.85	0.866	21.996	158

\* Use Group Number to reference the Cups and Cones Interchange Section.

# Tapered Roller Bearings Cones

Listed in Ascending Order by Manufacturer Part No.

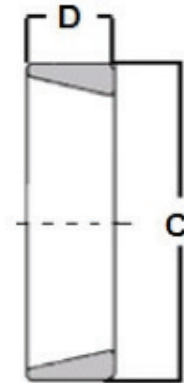
Cones						
AGCO Part No.	Manufacturer Part No.	A Interior Diameter		B Outside Diameter		Group No.*
		(in)	(mm)	(in)	(mm)	
70930424	JLM710949C	2.559	65	0.905	23	160
3764595M1	JLM714110	4.528	115	0.748	19	162
70930884	JM714249	2.952	75	1.161	29.499	163
834594M1	H715332	2.375	60.325	1.812	46.037	164
4336119	JM716648	3.346	85	1.141	29	165
834950M1	JM716649	3.346	85	1.141	29	165
70937181	JM719149	3.740	95	1.338	34	166
700729052	JHM720249	3.937	100	1.574	40	167
700703802	JM720249	3.937	100	1.378	35	168
72162895	HM801346	1.5	38.1	1.125	28.575	169
CH6S-6032	M802048	1.625	41.28	1.01	25.65	170
VLA9273	HM803146/HM803110	1.625	41.275	1.187	30.162	170
70929834	HM803149	1.75	44.45	1.156	29.370	171
70937161	M804049	1.875	47.625	1	25.4	172
833296M1	4T-HM804840	1.625	41.275	1.156	29.370	173
AG707120	HM804842	1.75	44.45	1.156	29.362	173
Z15306	HM804846	1.875	47.63	1.156	29.36	173
7445-29	HM804848	1.906	48.412	1.156	29.362	173
984335	HM804849	1.906	48.412	1.156	29.370	173
V662220	LM806649/LM806610	2.125	53.975	0.75	19.05	174
70934840	HM807046	2	50.8	1.437	36.499	175
843035M1	4T-JLM813049	2.755	610	0.984	25	176
70927949	L814749	3	76.2	0.75	19.05	179
833241M1	LM814849	3.062	77.787	1	25.4	180
70927350	JM822049	4.330	1010	1.378	35	181
1850090M92	HM903249	1.75	44.45	1.125	28.575	182

TAPERED ROLLER

\* Use Group Number to reference the Cups and Cones Interchange Section.

# Tapered Roller Bearings Cups

Listed in Ascending Order by Manufacturer Part No.



Cup

AGCO offers a wide range of bearings from a number of manufacturers.

These Manufacturer Part Numbers are listed for reference only. The part number will not guarantee a specific manufacturer.

TAPERED ROLLER

Cups						
AGCO Part No.	Manufacturer Part No.	A Interior Diameter		B Outside Diameter		Group No.*
		(in)	(mm)	(in)	(mm)	
760907M1	4T_6	1.75	44.45	0.375	9.525	1
760907M1	6CE	1.934	49.123	0.75	19.05	2
TG8537	14C	2.25	57.15	0.673	17.094	3
HB5019	24	2.185	55.524	0.468	11.908	4
JT9201	32C	2.405	61.087	0.468	11.908	5
72090692	36X	2.531	64.287	0.515	13.081	6
72090693	38A	2.75	69.85	0.92	23.368	6
SN3062	332	3.149	80	0.701	17.825	7
70211608	354A	3.346	85	0.687	17.462	8
350356X1	362A	3.5	88.9	0.650	16.512	9
832032M1	363	3.543	810	0.787	110	9
70210241	382	3.875	98.425	0.701	17.825	10
70212037	382A	3.812	96.837	0.625	15.875	10
70254872	382B	3.812	96.837	0.625	15.875	10
982080	383A	3.937	100	0.701	17.826	10
70209897	394AS	4.330	1010	0.741	18.823	11
831354M1	453A	4.25	107.95	0.875	22.225	12
300975M1	453X	4.125	104.775	0.968	24.604	12
72507599	472	4.724	1110	0.954	24.236	13
7714371	493	5.375	136.525	0.875	22.225	14
70238935	492A	5.25	133.35	0.875	22.225	14
843681M1	522	4	101.6	1.062	26.988	15
AG721065	552A	4.875	123.825	1.187	30.162	16
KB5012B	563	5	127	1.125	28.575	17
588242M1	592A	6	152.4	1.187	30.162	19
71409751	592XE	5.812	147.638	1.031	26.192	19

\* Use Group Number to reference the Cups and Cones Interchange Section.



# Tapered Roller Bearings Cups

Listed in Ascending Order by Manufacturer Part No.

Cups						
AGCO Part No.	Manufacturer Part No.	A Interior Diameter		B Outside Diameter		Group No.*
		(in)	(mm)	(in)	(mm)	
70937175	633	5.125	130.175	1.25	31.75	21
Z982374	742	5.909	150.09	1.437	36.51	23
70242875	1328	0.875	22.225	0.562	14.287	26
7710064	2520	2.615	66.421	0.812	20.637	27
70242850	2523	2.75	69.85	0.75	19.05	27
70525977	2631	2.615	66.421	0.75	19.05	28
WR15441	2720	1.375	34.925	1.01	25.654	29
70209987	2720	3	76.2	0.75	19.05	29
70227678	2729	3	76.2	0.75	19.05	29
208285M1	2735X	2.875	73	0.75	19.05	29
BB5014A	4T-2820	2.875	73	0.687	17.462	30
70213010	3120	2.859	72.626	0.937	23.812	32
70931013	3126	2.836	72.034	0.937	23.812	32
982602	3339	3.150	80.035	0.937	23.812	33
71162777	K3420	3.125	79.375	0.937	23.812	34
22246X	3525	3.437	87.312	0.937	23.812	35
70928287	3733	3.937	100	0.937	23.812	37
71377534	3820	3.375	85.725	0.937	23.812	38
3405343M91	3820	3.375	85.73	0.938	23.81	38
70210012	3821	3.375	85.725	0.937	23.812	38
70257797	3822RB	3.475	88.265	0.687	17.462	38
1905160M1	3920	4.437	112.712	0.937	23.812	39
1905160M1	3920	4.437	112.712	0.937	23.812	39
3405249M91	4388/4335	3.562	90.488	1.312	33.338	39
843631M2	4535	4.125	104.775	1.312	33.337	41
70068847	5535	4.812	122.237	1.437	36.512	43
982754	5735	5.343	135.733	1.375	34.925	44
AG721070	6420	5.875	149.225	1.75	44.45	46
72162537	6535	6.375	161.925	1.687	42.849	47
CH1J-2860	6535	3.543	90	1.687	42.862	47
700703796	9121	6	152.4	1.25	31.75	48
700706029	9321	6.75	171.45	1.25	31.75	49
7446-12	2420	2.687	68.249	0.687	17.449	50
70235438	2421	2.687	68.262	0.875	22.225	50
Z50104	7196	1	25.4	0.375	9.525	52
10A6714	7204	2.047	52	0.5	12.7	52
70211897	9195	1.938	49.225	0.562	14.287	53
70209984	9196	1.938	49.225	0.687	17.462	53
70336914	LM11710	1.57	40	0.42	10.668	54

TAPERED ROLLER

\* Use Group Number to reference the Cups and Cones Interchange Section.

# Tapered Roller Bearings Cups

Listed in Ascending Order by Manufacturer Part No.

TAPERED ROLLER

Cups						
AGCO Part No.	Manufacturer Part No.	A Interior Diameter		B Outside Diameter		Group No.*
		(in)	(mm)	(in)	(mm)	
70328002	LM11910	1.781	45.237	0.437	12.065	55
70229045	12303	3.031	77	0.468	11.907	56
70228153	M12610	1.968	50.004	0.55	14	58
70526975	13620	2.717	69	0.593	15.082	60
70937210	13621	2.717	69	0.593	15.082	60
70210551	14274	2.717	69	0.625	15.875	61
70209890	14276	2.717	69	0.625	15.875	61
70241380	15245	2.441	62	0.563	14.300	62
70241380	15245	2.440	61.998	0.562	14.287	62
70209983	15250	2.5	63.5	0.625	15.875	62
70210116	15523	2.375	60.325	0.625	15.875	64
70541937	16284	2.844	72.237	0.625	15.875	65
983079	18620	3.125	79.375	0.531	13.495	67
983085	18720	3.346	85	0.531	13.495	68
EB5004	18724	3.5	88.9	0.531	13.495	68
7446-35	19268	2.687	68.249	0.468	11.887	69
983119	22721	3.25	82.55	0.812	20.638	70
70242910	23621	2.875	73	0.875	22.225	71
850181M1	24720	3	76.2	0.687	17.462	72
31-1743560	25519	3.25	82.55	0.75	19.05	73
17201X	25520	3.265	82.931	0.75	19.05	73
74253291	25521	3.27	83.058	0.75	19.05	73
3176707M91	25522	3.27	83.06	0.753	19.11	73
15854X	25820	2.875	73	0.75	19.05	74
712208	25821	2.875	73	0.75	19.05	74
BB5013A	26820	3.156	80.167	0.812	20.638	75
70042887	26822	3.125	79.375	0.75	19.05	75
70927959	26822A	3.125	79.375	0.75	19.05	75
70235089	26823	3	76.2	0.812	20.637	75
658138M1	26824	3.149	80	0.75	19.05	75
800367	27820	3.150	80.035	0.728	18.512	77
W9112410	28521	3.625	92.075	0.781	19.845	78
70244271	28621	3.812	96.837	0.765	19.446	79
1886195M91	28682/28622	3.843	97.63	0.765	19.43	79
700706038	28920	4	101.6	0.781	19.845	80
15611	28921	3.937	100	0.781	19.845	80
70539112	29520	4.25	107.95	0.75	19.05	81
832930M1	29521	4.330	1010	0.75	19.05	81
700710378	29360	4.75	120.65	0.75	19.05	82

\* Use Group Number to reference the Cups and Cones Interchange Section.

# Tapered Roller Bearings Cups

Listed in Ascending Order by Manufacturer Part No.

Cups						
AGCO Part No.	Manufacturer Part No.	A Interior Diameter		B Outside Diameter		Group No.*
		(in)	(mm)	(in)	(mm)	
1860503M93	29685/29620	4.437	112.712	0.75	19.05	82
70555360	LM29710	2.562	65.087	0.55	13.97	83
72160240	31521	3	76.2	0.937	23.812	86
107610A	33461	4.625	117.475	0.937	23.812	87
504226M1	33462	4.625	117.475	0.937	23.812	87
700703794	33472	4.724	120	0.922	23.44	87
70061088	33821	3.75	95.25	0.875	22.225	88
73028644	34478	4.781	121.442	0.687	17.462	89
983368	35326	3.265	82.931	0.687	17.462	90
1850909M91	37425	4.25	107.95	0.844	21.438	91
70933868	39520	4.437	112.712	0.937	23.812	93
833135M1	42584	5.843	148.429	0.843	21.432	94
833135M1	42584	5.843	148.429	0.843	21.432	94
700720336	42620	5	127	0.875	22.225	95
10P2422	43312	3.125	79.375	0.687	17.462	96
SN777	L44610	1.98	50.292	0.42	10.668	97
832190M1	L44610	1.98	50.292	0.42	10.668	97
70073111	45220	4.125	104.775	0.937	23.812	98
70659153	45221	4.125	104.775	1.187	30.162	98
831894M1	47620	5.25	133.35	1.031	26.195	100
983522	47620A	5.25	133.35	1.031	26.195	100
AG705960	48220	7.187	182.562	1.312	33.338	101
700710370	48320	7.5	190.5	1.312	33.324	102
SN1603	LM48510	2.562	65.087	0.55	13.97	103
70227666	LM48510	2.562	65.087	0.55	13.97	103
AG604448	52618	6.187	157.162	1.031	26.195	104
808345	55437	4.375	111.125	0.812	20.637	106
AG711901	64700	7	177.8	2.368	60.162	109
AG706914	65500	5	127	1.375	34.925	110
711242	LM67010	2.328	59.13	0.465	11.81	112
WR15493	LM67010	2.328	59.131	0.47	11.938	112
7713860	67322	7.75	196.85	1.5	38.1	113
70933953	67675	6.75	171.45	0.994	25.268	114
700717117	L68111	1.378	35	0.47	11.938	115
AG012666	68712	7.125	181	1	25.4	116
70582091	JL69310	2.480	63	0.531	13.500	117
SNYYB-332	JL69310	2.480	63	0.531	13.500	117
72162245	72487	4.875	123.825	1	25.4	118
AG520700	74850	8.5	215.9	1.375	34.925	119

\* Use Group Number to reference the Cups and Cones Interchange Section.

TAPERED ROLLER

# Tapered Roller Bearings Cups

Listed in Ascending Order by Manufacturer Part No.

TAPERED ROLLER

Cups						
AGCO Part No.	Manufacturer Part No.	A Interior Diameter		B Outside Diameter		Group No.*
		(in)	(mm)	(in)	(mm)	
8050262	M84510	2.25	57.15	0.58	14.732	122
3310930M91	M86649/M86610	0.253	64.29	0.656	16.67	122
832927M1	M88010	2.687	68.262	0.687	17.462	124
831486M1	HM88510	2.875	73	0.906	23	125
EB5026A	HM88511	2.875	73	0.906	23	125
7710106	HM88610	2.843	72.232	0.781	19.842	126
212609M1	HM89410	3	76.2	0.906	23.020	127
70244195	HM89411	3	76.2	0.906	23.020	127
70927273	LM102910	2.891	73.431	0.62	15.748	128
N14866	JLM104910	3.228	81.998	0.669	17	129
70932928	LM104911	3.25	82.55	0.65	16.51	129
70929740	LM104912	3.265	82.931	0.65	16.51	129
71162782	JM205110	3.543	810	0.905	23	131
70928285	JM207010	3.740	95	0.925	23.500	132
70928069	JH211710	4.724	1110	1.259	31.998	133
70680631	HM212010	4.812	122.238	1.17	29.718	134
70634567	HM212011	4.812	122.237	1.17	29.718	134
700710375	HM218210	5.787	147	1.28	32.5	136
70931024	JH307710	4.330	1010	1.259	31.998	139
72163082	L319210	5.125	130.175	0.656	16.662	140
1612561M1	JH415610	5.708	144.998	1.653	41.998	142
74254699	LM501310	2.891	73.431	0.58	14.732	143
834829M1	JLM506810	3.543	810	0.728	18.498	145
70933016	4T-JLM508710	3.740	95	0.748	19	146
70929396	JM511910	4.330	1010	0.885	22.499	147
70927348	JM515610	5.118	130	1.122	28.498	148
70633711	HM516410	5.25	133.35	1.281	32.545	149
834816M1	JHM516810	5.511	140	1.240	31.501	150
700715745	JHM522610	7.086	180	1.496	38	152
SN3684	LM603011	3.062	77.787	0.5937	15.079	155
833094M1	LM603011	3.062	77.787	0.593	15.079	155
70937206	LM603012	3.062	77.788	0.656	16.667	155
833847M1	LM603014	3.149	80	0.593	15.079	155
71162723	JM612910	4.527	115	0.905	23	157
70240289	LM613410	4.437	112.712	0.625	15.875	158
70930426	JLM710910	4.133	105	0.728	18.498	160
3764595M1	JLM714110	4.528	115	0.748	19	162
AG028804	JLM-714110	4.527	115	0.748	19	162
70930883	JM714210	4.724	1110	0.984	25	163

\* Use Group Number to reference the Cups and Cones Interchange Section.

# Tapered Roller Bearings Cups

Listed in Ascending Order by Manufacturer Part No.

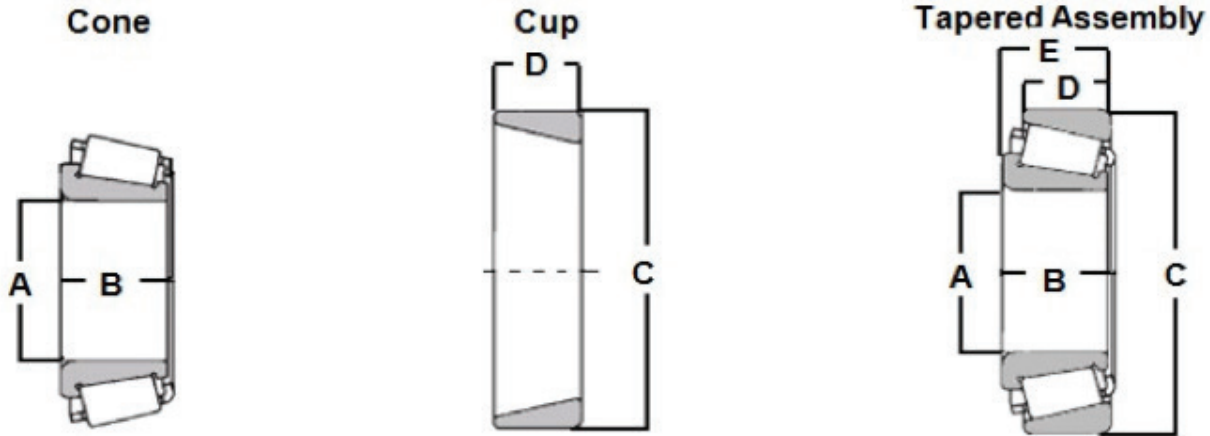
Cups						
AGCO Part No.	Manufacturer Part No.	A Interior Diameter		B Outside Diameter		Group No.*
		(in)	(mm)	(in)	(mm)	
833051M1	H715311	5.375	136.525	1.437	36.512	164
984264	H715311A	5.375	136.525	1.437	36.512	164
CH2D-9454	H715311PW2	5.375	136.53	1.437	36.512	164
AG706213	JM716610	5.118	130	0.944	24	165
70937180	JM719113	5.905	150	1.062	27	166
843691M1	JHM720210	6.299	1510	1.259	31.998	167
700703800	JM720210	6.102	155	1.102	28	168
70932975	HM801310	3.25	82.55	0.906	23.012	169
CH6S-6031	M802011	1.625	41.275	0.795	20.193	170
71160044	HM803110	3.5	88.9	0.906	23.020	171
70937162	M804010	3.5	88.9	0.75	19.05	172
831047M1	HM804810	3.75	95.25	0.906	23.020	173
V662220	LM806649/LM806610	3.5	88.9	0.531	13.49	173
AG706697	HM807010	4.125	104.775	1.125	28.575	175
70930427	HM807011	4.125	104.775	1.125	28.575	175
843033M1	4T-JLM81310	4.330	1010	0.807	20.500	176
70927957	L814710	4.312	109.537	0.593	15.082	179
833242M1	LM814810	4.625	117.475	0.75	19.05	180
70927349	JM822010	6.496	165	1.043	26.499	181
1850090M92	HM903210	3.75	95.25	0.875	22.225	182

TAPERED ROLLER

\* Use Group Number to reference the Cups and Cones Interchange Section.

# Tapered Roller Bearings Cups and Cones Interchange

Listed in Ascending Order by Interchange Group



AGCO offers a wide range of bearings from a number of manufacturers.

These Manufacturer Part Numbers are listed for reference only. The part number will not guarantee a specific manufacturer.

TAPERED ROLLER

AGCO Part No.	Manufacturer Part No.	Type	Cone				Cup				Group No.*
			A Interior Diameter		B Cup Width		C Outside Diameter		D Cup Width		
			(in)	(mm)	(in)	(mm)	(in)	(mm)	(in)	(mm)	
760906M1	5BC	Cone	1.114	28.30	.309	7.85	0.000	0.00	0.000	0.00	1
760907M1	6CE	Cup	0.000	0.00	0.000	0.00	1.934	49.12	0.750	19.05	1
70207570	7A	Cup	0.000	0.00	0.000	0.00	1.935	49.15	0.875	22.23	1
832397M1	4CB	Cone	0.812	20.62	0.476	12.09	0.000	0.00	0.000	0.00	2
760907M1	6CE	Cup	0.000	0.00	0.000	0.00	1.934	49.12	0.750	19.05	2
70228150	11-BC	Cone	1.181	30.00	0.394	10.00	0.000	0.00	0.000	0.00	3
TG8537	14C	Cup	0.000	0.00	0.000	0.00	2.247	57.07	0.673	17.09	3
HB5019	24-BC	Cup	0.000	0.00	0.000	0.00	2.186	55.52	0.469	11.91	4
HA5019	21-BC	Cone	1.375	34.93	0.403	10.23	0.000	0.00	0.000	0.00	4
JT9201	32C	Cup	0.000	0.00	0.000	0.00	2.405	61.09	0.469	11.91	5
JT9202	31-BC	Cone	1.599	40.62	0.407	10.34	0.000	0.00	0.000	0.00	5
72090691	35BC	Cone	1.535	39.00	0.512	13.00	0.000	0.00	0.000	0.00	6
72090692	36X	Cup	0.000	0.00	0.000	0.00	2.531	64.29	0.515	13.08	6
72090693	38A	Cup	0.000	0.00	0.000	0.00	2.750	69.85	0.920	23.37	6
SN3062	332	Cup	0.000	0.00	0.000	0.00	3.149	80.00	0.701	17.81	7
SN3061	342A	Cone	1.625	41.28	1.180	30.00	0.000	0.00	0.000	0.00	7
832729M1	342A	Cone	1.625	41.28	1.180	30.00	0.000	0.00	0.000	0.00	7
10A22365	342S	Cone	1.688	42.88	0.882	22.40	0.000	0.00	0.000	0.00	7
842789M1	344A	Cone	1.575	40.00	0.882	22.40	0.000	0.00	0.000	0.00	7
70211608	354A	Cup	0.000	0.00	0.000	0.00	3.346	84.99	0.687	17.45	8
70211562	355	Cone	1.750	44.45	0.854	21.69	0.000	0.00	0.000	0.00	8
71119313	355A	Cone	1.750	44.45	0.854	21.69	0.000	0.00	0.000	0.00	8
350356X1	362A	Cup	0.000	0.00	0.000	0.00	3.500	88.90	0.650	16.51	9
832032M1	363	Cup	0.000	0.00	0.000	0.00	3.543	90.00	0.787	20.00	9
831304M1	368	Cone	2.000	50.80	0.875	22.23	0.000	0.00	0.000	0.00	9
70936730	368S	Cone	2.031	51.59	0.875	22.23	0.000	0.00	0.000	0.00	9

\* Use Group Number from Tapered Roller Bearing Cone and Cup Sections to Interchange Cups and Cones.

# Tapered Roller Bearings Cups and Cones Interchange

Listed in Ascending Order by Interchange Group

AGCO Part No.	Manufacturer Part No.	Type	Cone				Cup				Group No.*
			A Interior Diameter		B Cup Width		C Outside Diameter		D Cup Width		
			(in)	(mm)	(in)	(mm)	(in)	(mm)	(in)	(mm)	
70225110	370A	Cone	2.000	50.80	0.875	22.23	0.000	0.00	0.000	0.00	9
70210241	382	Cup	0.000	0.00	0.000	0.00	3.875	98.43	0.701	17.81	10
70212037	382A	Cup	0.000	0.00	0.000	0.00	3.812	96.82	0.625	15.88	10
70254872	382B	Cup	0.000	0.00	0.000	0.00	3.812	96.82	0.701	17.81	10
982080	383A	Cup	0.000	0.00	0.000	0.00	3.937	100.00	0.701	17.81	10
70211563	385	Cone	2.165	55.00	0.864	21.95	0.000	0.00	0.000	0.00	10
3405342M91	386A	Cone	1.875	47.63	0.864	21.95	0.000	0.00	0.000	0.00	10
10A7291	387	Cone	2.250	57.15	0.864	21.95	0.000	0.00	0.000	0.00	10
72163092	387A	Cone	2.250	57.15	0.864	21.95	0.000	0.00	0.000	0.00	10
35A3399	387S	Cone	2.250	57.15	0.864	21.95	0.000	0.00	0.000	0.00	10
982092	389A	Cone	2.125	53.98	0.864	21.95	0.000	0.00	0.000	0.00	10
70209897	394AS	Cup	0.000	0.00	0.000	0.00	4.330	110.00	0.741	18.82	11
3074890M1	395S/394A	Cone	2.625	66.68	0.866	22	0.00	0.00	0.00	0.00	11
70209894	395	Cone	2.500	63.50	0.866	22.00	0.000	0.00	0.000	0.00	11
700710545	395LA902A4	Cone	2.688	68.26	0.866	22.00	0.000	0.00	0.000	0.00	11
1851392M91	395A/394A	Cone	2.625	66.68	0.866	22	0.000	0.000	0.000	0.000	11
70043002	397	Cone	2.362	60.00	0.866	22.00	0.000	0.00	0.000	0.00	11
3010192X91	399AS/394A	Cone	2.688	68.26	0.866	22	0.000	0.000	0.000	0.000	11
831354M1	453A	Cup	0.000	0.00	0.000	0.00	4.250	107.95	0.875	22.23	12
300975M1	453X	Cup	0.000	0.00	0.000	0.00	4.125	104.78	0.968	24.59	12
300974M1	462	Cone	2.250	57.15	1.154	29.31	0.000	0.00	0.000	0.00	12
195675M1	462A	Cone	2.250	57.15	1.154	29.31	0.000	0.00	0.000	0.00	12
72507599	472	Cup	0.000	0.00	0.000	0.00	4.724	120.00	0.954	24.24	13
72507597	475	Cone	2.165	55.00	1.142	29.01	0.000	0.00	0.000	0.00	13
70238935	492A	Cup	0.000	0.00	0.000	0.00	5.250	133.35	0.875	22.23	14
7714371	493	Cup	0.000	0.00	0.000	0.00	5.375	136.53	0.875	22.23	14
6672656	493	Cup	0.000	0.00	0.000	0.00	5.375	136.53	0.875	22.23	14
7714363	495	Cone	3.250	82.55	1.172	29.77	0.000	0.00	0.000	0.00	14
73024650	497	Cone	3.375	85.73	1.172	29.77	0.000	0.00	0.000	0.00	14
700704966	497A	Cone	3.375	85.73	1.172	29.77	0.000	0.00	0.000	0.00	14
70238936	498	Cone	3.312	84.12	1.172	29.77	0.000	0.00	0.000	0.00	14
843681M1	522	Cup	0.000	0.00	0.000	0.00	4.000	101.60	1.062	26.97	15
843680M2	526	Cone	1.625	41.28	1.420	36.07	0.000	0.00	0.000	0.00	15
AG721065	552A	Cup	0.000	0.00	0.000	0.00	4.875	123.83	1.187	30.15	16
AG721060	555S	Cone	2.250	57.15	1.444	36.68	0.000	0.00	0.000	0.00	16
KB5012B	563	Cup	0.000	0.00	0.000	0.00	5.000	127.00	1.125	28.58	17
7713134	567	Cone	2.875	73.03	1.424	36.17	0.000	0.00	0.000	0.00	17
103758A	568	Cone	2.906	73.81	1.424	36.17	0.000	0.00	0.000	0.00	17
588242M1	592A	Cup	0.000	0.000	0.000	0.000	6	152.4	1.187	30.162	19

TAPERED ROLLER

\* Use Group Number from Tapered Roller Bearing Cone and Cup Sections to Interchange Cups and Cones.

# Tapered Roller Bearings Cups and Cones Interchange

Listed in Ascending Order by Interchange Group

TAPERED ROLLER

AGCO Part No.	Manufacturer Part No.	Type	Cone				Cup				Group No.*
			A Interior Diameter		B Cup Width		C Outside Diameter		D Cup Width		
			(in)	(mm)	(in)	(mm)	(in)	(mm)	(in)	(mm)	
71409751	592XE	Cup	0.000	0.000	0.000	0.000	5.812	147.638	1.031	26.192	19
70053509	593	Cone	3.500	88.90	1.430	36.32	0.000	0.00	0.000	0.00	19
190460M1	594	Cone	3.750	95.25	1.430	36.32	0.000	0.00	0.000	0.00	19
71409752	594A	Cone	3.75	95.25	1.43	36.322	0.000	0.000	0.000	0.000	19
70937175	633	Cup	0.000	0.00	0.000	0.00	5.125	130.18	1.250	31.75	21
70937174	643	Cone	2.750	69.85	1.625	41.28	0.000	0.00	0.000	0.00	21
Z982374	742	Cup	0.000	0.000	0.000	0.000	5.909	150.09	1.437	36.51	23
982384	750A	Cone	3.250	82.55	1.837	46.66	0.000	0.00	0.000	0.00	23
700706034	752	Cup	0.000	0.00	0.000	0.00	6.375	161.93	1.500	38.10	24
700706030	755	Cone	3.000	76.20	1.900	48.26	0.000	0.00	0.000	0.00	24
700706033	759	Cone	3.500	88.90	1.900	48.26	0.000	0.00	0.000	0.00	24
700715744	792	Cup	0.000	0.00	0.000	0.00	8.125	206.38	1.375	34.93	25
700715742	799	Cone	5.062	128.57	1.875	47.63	0.000	0.00	0.000	0.00	25
70242875	1328	Cup	0.000	0.00	0.000	0.00	2.062	52.37	0.562	14.27	26
70800449	1380	Cone	0.875	22.23	0.794	20.17	0.000	0.00	0.000	0.00	26
7710064	2520	Cup	0.000	0.00	0.000	0.00	2.615	66.42	0.812	20.62	27
70242850	2523	Cup	0.000	0.00	0.000	0.00	2.750	69.85	0.750	19.05	27
70927954	2580	Cone	1.250	31.75	0.998	25.35	0.000	0.00	0.000	0.00	27
71143200	2585	Cone	1.312	33.32	0.998	25.35	0.000	0.00	0.000	0.00	27
70525977	2631	Cup	0.000	0.00	0.000	0.00	2.615	66.42	0.750	19.05	28
70525980	2689	Cone	1.125	28.58	1	25.43	0.000	0.00	0.000	0.00	28
800334	2690	Cone	1.156	29.36	1	25.43	0.000	0.00	0.000	0.00	28
WR15441	2720	Cup	0.000	0.000	0.000	0.000	1.375	34.925	1.01	25.654	29
70209987	2720	Cup	0.000	0.00	0.000	0.00	3.000	76.20	0.750	19.05	29
70227678	2729	Cup	0.000	0.00	0.000	0.00	3.000	76.20	0.750	19.05	29
208285M1	2735X	Cup	0.000	0.00	0.000	0.00	2.875	73.03	0.750	19.05	29
70222214	2776	Cone	1.500	38.10	1.010	25.65	0.000	0.00	0.000	0.00	29
70530468	2780	Cone	1.436	36.47	1.010	25.65	0.000	0.00	0.000	0.00	29
70539114	2788	Cone	1.500	38.10	1.010	25.65	0.000	0.00	0.000	0.00	29
10A26950	2788A	Cone	1.500	38.10	1.010	25.65	0.000	0.00	0.000	0.00	29
74255820	2789	Cone	1.562	39.67	1.010	25.65	0.000	0.00	0.000	0.00	29
SNRT019551	2790	Cone	1.312	33.32	1.010	25.65	0.000	0.00	0.000	0.00	29
204257	2790	Cone	1.312	33.32	1.010	25.65	0.000	0.00	0.000	0.00	29
70929653	2793	Cone	1.375	34.93	1.010	25.65	0.000	0.00	0.000	0.00	29
70240445	2796	Cone	1.375	34.93	1.010	25.65	0.000	0.00	0.000	0.00	29
BB5014A	2820	Cup	0.000	0.00	0.000	0.00	2.875	73.03	0.687	17.45	30
70228297	2877	Cone	1.375	34.93	0.937	23.80	0.000	0.00	0.000	0.00	30
BA5014A	2879	Cone	1.250	31.75	0.937	23.80	0.000	0.00	0.000	0.00	30
70213010	3120	Cup	0.000	0.00	0.000	0.00	2.859	72.62	0.937	23.80	32

\* Use Group Number from Tapered Roller Bearing Cone and Cup Sections to Interchange Cups and Cones.



# Tapered Roller Bearings

## Cups and Cones Interchange

Listed in Ascending Order by Interchange Group

AGCO Part No.	Manufacturer Part No.	Type	Cone				Cup				Group No.*
			A Interior Diameter		B Cup Width		C Outside Diameter		D Cup Width		
			(in)	(mm)	(in)	(mm)	(in)	(mm)	(in)	(mm)	
70931013	3126	Cup	0.000	0.00	0.000	0.00	2.836	72.03	0.937	23.80	32
72160238	3193	Cone	1.250	31.75	1.181	30.00	0.000	0.00	0.000	0.00	32
70931014	3196	Cone	1.312	33.32	1.181	30.00	0.000	0.00	0.000	0.00	32
982602	3339	Cup	0.000	0.00	0.000	0.00	3.151	80.04	0.937	23.80	33
982603	3379	Cone	1.375	34.93	1.196	30.38	0.000	0.00	0.000	0.00	33
KT7109A	3383	Cone	1.625	41.28	1.196	30.38	0.000	0.00	0.000	0.00	33
71162777	K3420	Cup	0.000	0.00	0.000	0.00	3.125	79.38	0.938	23.81	34
71162778	3490	Cone	1.500	38.10	1.172	29.77	0.000	0.00	0.000	0.00	34
22246X	3525	Cup	0.000	0.00	0.000	0.00	3.437	87.30	0.937	23.80	35
22245X	4T-3578	Cone	1.750	44.45	1.216	30.89	0.000	0.00	0.000	0.00	35
22245X	3578	Cone	1.750	44.45	1.216	30.89	0.000	0.00	0.000	0.00	35
982629	3579	Cone	1.687	42.85	1.216	30.89	0.000	0.00	0.000	0.00	35
70928287	3733	Cup	0.000	0.00	0.000	0.00	3.938	100.00	0.937	23.80	37
70605175	3767	Cone	2.062	52.37	1.193	30.30	0.000	0.00	0.000	0.00	37
882554M91	3780/3720	Cup	2	50.8	1.193	30.3	0.000	0.000	0.000	0.000	37
AG603953	3780	Cone	2.000	50.80	1.193	30.30	0.000	0.00	0.000	0.00	37
833805M1	3781	Cone	1.937	49.20	1.193	30.30	0.000	0.00	0.000	0.00	37
1851388M91	3782/3720	Cone	1.75	44.45	1.187	30.16	0.000	0.000	0.000	0.000	37
70253011	3784	Cone	2.000	50.80	1.193	30.30	0.000	0.00	0.000	0.00	37
195162M1	3795	Cone	2.000	50.80	1.193	30.30	0.000	0.00	0.000	0.00	37
3405343M91	3820	Cup	0.000	0.000	0.000	0.000	3.375	85.73	0.938	23.81	38
71377534	3820	Cup	0.000	0.00	0.000	0.00	3.375	85.73	0.937	23.80	38
70210012	3821	Cup	0.000	0.00	0.000	0.00	3.375	85.73	0.937	23.80	38
70257797	3822RB	Cup	0.000	0.00	0.000	0.00	3.468	88.09	0.937	23.80	38
3405343M91	3820	Cup	0.000	0.000	0.000	0.000	3.375	85.73	0.938	23.81	38
70932843	3875	Cone	1.500	38.10	1.188	30.16	0.000	0.00	0.000	0.00	38
70210011	3876	Cone	1.500	38.10	1.188	30.16	0.000	0.000	0.000	0.000	38
71377535	3880	Cone	1.625	41.275	1.187	30.162	0.000	0.000	0.000	0.000	38
195160M1	3920	Cup	0.000	0.000	0.000	0.000	4.437	112.712	0.937	23.812	39
3612310M1	3980	Cone	2.375	60.33	1.183	30.05	0.000	0.000	0.000	0.000	39
70209905	3982	Cone	2.500	63.50	1.183	30.05	0.000	0.00	0.000	0.00	39
70209905	3982	Cone	2.500	63.50	1.183	30.05	0.000	0.00	0.000	0.00	39
195159M1	3984	Cone	2.625	66.68	1.183	30.05	0.000	0.00	0.000	0.00	39
3405249M91	4388/4335	Cup	1.625	41.275	1.59	40.386	0.000	0.000	0.000	0.000	40
3405249M91	4388/4336	Cone	0.000	0.000	0.000	0.000	3.562	90.488	1.312	33.338	40
843631M2	4535	Cup	0.000	0.00	0.000	0.00	4.125	104.78	1.312	33.32	41
843630M2	4595	Cone	2.125	53.98	1.581	40.16	0.000	0.00	0.000	0.00	41
70068847	5535	Cup	0.000	0.00	0.000	0.00	4.812	122.22	1.437	36.50	43
70932875	5584	Cone	2.500	63.50	1.723	43.76	0.000	0.00	0.000	0.00	43

\* Use Group Number from Tapered Roller Bearing Cone and Cup Sections to Interchange Cups and Cones.

TAPERED ROLLER

# Tapered Roller Bearings Cups and Cones Interchange

Listed in Ascending Order by Interchange Group

TAPERED ROLLER

AGCO Part No.	Manufacturer Part No.	Type	Cone				Cup				Group No.*
			A Interior Diameter		B Cup Width		C Outside Diameter		D Cup Width		
			(in)	(mm)	(in)	(mm)	(in)	(mm)	(in)	(mm)	
982754	5735	Cup	0.000	0.00	0.000	0.00	5.343	135.71	1.375	34.93	44
982755	5760	Cone	3.000	76.20	1.815	46.10	0.000	0.00	0.000	0.00	44
AG721070	6420	Cup	0.000	0.00	0.000	0.00	5.875	149.23	1.750	44.45	46
AG721071	6461A	Cone	3.000	76.20	2.135	54.23	0.000	0.00	0.000	0.00	46
CH1J-2860	6535	Cup	0.000	0.000	0.000	0.000	3.543	90	1.687	42.862	47
72162537	6535	Cup	0.000	0.00	0.000	0.00	6.375	161.93	1.687	42.85	47
70930869	6559C	Cone	3.250	82.55	2.169	55.09	0.000	0.000	0.000	0.00	47
CH1J-4757	6580	Cone	3.5	88.9	2.169	55.100	0.000	0.000	0.000	0.00	47
700703796	9121	Cup	0.000	0.00	0.000	0.00	6.000	152.40	1.250	31.75	48
700703797	9185	Cone	2.687	68.25	1.812	46.02	0.000	0.00	0.000	0.00	48
700706029	9321	Cup	0.000	0.00	0.000	0.00	6.750	171.45	1.250	31.75	49
700706027	9386H	Cone	3.312	84.12	1.812	46.02	0.000	0.00	0.000	0.00	49
70232247	2473	Cone	1.000	25.40	0.875	22.23	0.000	0.00	0.000	0.00	50
70235438	2421	Cup	0.000	0.00	0.000	0.00	2.688	68.26	0.875	22.23	50
7446-12	2420	Cup	0.000	0.00	0.000	0.00	2.687	68.25	0.687	17.45	50
7445-14	2476	Cone	1.250	31.75	0.875	22.23	0.000	0.00	0.000	0.00	50
BB5014A	2820	Cup	0.000	0.00	0.000	0.00	2.875	73.03	0.687	17.45	51
70228297	2877	Cone	1.375	34.93	0.875	22.23	0.000	0.00	0.000	0.00	51
10A6714	7204	Cup	0.000	0.000	0.000	0.000	2.047	52.00	0.500	12.70	52
Z50104	7196	Cup	0.000	0.000	0.000	0.000	1	25.4	0.375	9.525	52
50112	7100	Cone	1.000	25.40	0.561	14.25	0.000	0.00	0.000	0.00	52
70209925	9074	Cone	0.750	19.05	0.848	21.54	0.000	0.00	0.000	0.00	53
70800186	9081	Cone	0.812	20.62	0.848	21.54	0.000	0.00	0.000	0.00	53
150662M11	9067/9195	Cone	0.75	19.05	0.71	18.03	0.000	0.000	0.000	0.000	53
70211897	9195	Cup	0.000	0.00	0.000	0.00	1.938	49.23	0.562	14.27	53
70209984	9196	Cup	0.000	0.00	0.000	0.00	1.938	49.23	0.688	17.46	53
70209925	9074	Cup	0.750	19.05	0.848	21.54	0.000	0.00	0.000	0.00	53
70336914	LM11710	Cup	0.000	0.00	0.000	0.00	1.570	40.00	0.420	10.67	54
70336915	LM11749	Cone	0.687	17.45	0.575	14.61	0.000	0.00	0.000	0.00	54
70328002	LM11910	Cup	0.000	0.00	0.000	0.00	1.781	45.24	0.475	12.07	55
12349	K85624	Cup	0.000	0.00	0.000	0.00	1.786	45.36	0.295	7.49	55
831055M1	LM11949	Cone	0.750	19.05	0.655	16.64	0.000	0.00	0.000	0.00	55
711044	LM11900LA902A1	Cone	0.750	19.05	0.655	16.64	0.000	0.00	0.000	0.00	55
70229044	12175	Cone	1.750	44.45	0.675	17.15	0.000	0.00	0.000	0.00	56
70229045	12303	Cup	0.000	0.00	0.000	0.00	3.031	76.99	0.468	11.89	56
70228153	M12610	Cup	0.000	0.00	0.000	0.00	1.968	49.99	0.550	13.97	58
H458951R91	M12600LA902A1	Cone	0.844	21.43	0.751	19.08	0.000	0.00	0.000	0.00	58
70228152	M12649	Cone	0.843	21.41	0.720	18.29	0.000	0.00	0.000	0.00	58
70927437	LM12749	Cone	0.865	21.97	0.655	16.64	0.000	0.00	0.000	0.00	59

\* Use Group Number from Tapered Roller Bearing Cone and Cup Sections to Interchange Cups and Cones.

# Tapered Roller Bearings

## Cups and Cones Interchange

Listed in Ascending Order by Interchange Group

AGCO Part No.	Manufacturer Part No.	Type	Cone				Cup				Group No.*
			A Interior Diameter		B Cup Width		C Outside Diameter		D Cup Width		
			(in)	(mm)	(in)	(mm)	(in)	(mm)	(in)	(mm)	
70526975	13620	Cup	0.000	0.00	0.000	0.00	2.717	69.01	0.593	15.06	60
70937210	13621	Cup	0.000	0.00	0.000	0.00	2.717	69.01	0.593	15.06	60
70937209	13685	Cone	1.500	38.10	0.750	19.05	0.000	0.00	0.000	0.00	60
71127426	13600LA902A1	Cone	1.500	38.10	0.750	19.05	0.000	0.00	0.000	0.00	60
70248357	13686	Cone	1.500	38.10	1.031	26.19	0.000	0.00	0.000	0.00	60
70227846	13687	Cone	1.500	38.10	0.750	19.05	0.000	0.00	0.000	0.00	60
831335M1	14120	Cone	1.190	30.23	1.052	26.72	0.000	0.00	0.000	0.00	61
831043M1	14123AA	Cone	1.250	31.75	1.052	26.72	0.000	0.00	0.000	0.00	61
831043M1	14123A	Cone	1.250	31.75	1.052	26.72	0.000	0.00	0.000	0.00	61
Z757088	14124	Cone	1.25	31.75	0.771	19.58	0.000	0.000	0.000	0.000	61
850533M1	14125A	Cone	1.250	31.75	0.771	19.58	0.000	0.00	0.000	0.00	61
831133M1	14136A	Cone	1.375	34.93	1.052	26.72	0.000	0.00	0.000	0.00	61
70211999	14137A	Cone	1.375	34.93	0.771	19.58	0.000	0.00	0.000	0.00	61
70209889	14138A	Cone	1.375	34.93	0.771	19.58	0.000	0.00	0.000	0.00	61
74253254	14139	Cone	1.377	35.00	0.771	19.58	0.000	0.00	0.000	0.00	61
70210551	14274	Cup	0.000	0.00	0.000	0.00	2.717	69.01	0.625	15.88	61
70209890	14276	Cup	0.000	0.00	0.000	0.00	2.717	69.01	0.625	15.88	61
70225608	15101	Cone	1.000	25.40	0.813	20.64	0.000	0.00	0.000	0.00	62
72162540	15102	Cone	1.000	25.40	0.813	20.64	0.000	0.00	0.000	0.00	62
850179M1	15113	Cone	1.125	28.575	0.812	20.637	0.000	0.000	0.000	0.000	62
15576X	15117	Cone	1.180	29.97	0.813	20.64	0.000	0.00	0.000	0.00	62
70209926	15118	Cone	1.190	30.21	0.813	20.64	0.000	0.00	0.000	0.00	62
70209985	15120	Cone	1.189	30.20	0.813	20.64	0.000	0.00	0.000	0.00	62
70230666	15120A	Cone	1.188	30.18	0.813	20.64	0.000	0.00	0.000	0.00	62
1850224M91	15123/15245	Cone	1.25	31.75	0.75	19.05	0.000	0.000	0.000	0.000	62
70323297	15126	Cone	1.250	31.75	0.813	20.64	0.000	0.00	0.000	0.00	62
70241380	15245	Cup	0.000	0.00	0.000	0.00	2.441	62.00	0.562	14.27	62
70209983	15250	Cup	0.000	0.00	0.000	0.00	2.500	63.50	0.625	15.88	62
70210116	15523	Cup	0.000	0.00	0.000	0.00	2.375	60.33	0.625	15.88	64
70210117	15578	Cone	1.000	25.40	0.687	17.45	0.000	0.00	0.000	0.00	64
712026	16137	Cone	1.375	34.93	0.812	20.62	0.000	0.00	0.000	0.00	65
70541938	16150	Cone	1.500	38.10	0.812	20.62	0.000	0.00	0.000	0.00	65
70541937	16284	Cup	0.000	0.00	0.000	0.00	2.844	72.25	0.625	15.88	65
983079	18620	Cup	0.000	0.00	0.000	0.00	3.125	79.38	0.531	13.49	67
983080	18685	Cone	1.750	44.45	0.687	17.45	0.000	0.00	0.000	0.00	67
983081	18690	Cone	1.812	46.02	0.687	17.45	0.000	0.00	0.000	0.00	67
983085	18720	Cup	0.000	0.00	0.000	0.00	3.346	84.99	0.531	13.49	68
EB5004	18724	Cup	0.000	0.00	0.000	0.00	3.500	88.90	0.531	13.49	68
983088	18790	Cone	2.000	50.80	0.687	17.45	0.000	0.00	0.000	0.00	68

TAPERED ROLLER

\* Use Group Number from Tapered Roller Bearing Cone and Cup Sections to Interchange Cups and Cones.

# Tapered Roller Bearings

## Cups and Cones Interchange

Listed in Ascending Order by Interchange Group

**TAPERED ROLLER**

AGCO Part No.	Manufacturer Part No.	Type	Cone				Cup				Group No.*
			A Interior Diameter		B Cup Width		C Outside Diameter		D Cup Width		
			(in)	(mm)	(in)	(mm)	(in)	(mm)	(in)	(mm)	
658139M1	19138	Cone	1.377	35.00	0.650	16.51	0.000	0.00	0.000	0.00	69
7445-45	19150	Cone	1.500	38.10	0.650	16.51	0.000	0.00	0.000	0.00	69
7446-35	19268	Cup	0.000	0.00	0.000	0.00	2.687	68.25	0.468	11.89	69
983119	22721	Cup	0.000	0.00	0.000	0.00	3.250	82.55	0.812	20.62	70
983120	22778	Cone	1.625	41.28	1.062	26.97	0.000	0.00	0.000	0.00	70
70242910	23621	Cup	0.000	0.00	0.000	0.00	2.875	73.03	0.875	22.23	71
70242911	23690	Cone	1.375	34.93	1.062	27.00	0.000	0.00	0.000	0.00	71
850181M1	24720	Cup	0.000	0.00	0.000	0.00	3.000	76.20	0.687	17.45	72
850182M1	24780	Cone	1.625	41.28	0.906	23.01	0.000	0.00	0.000	0.00	72
31-1743560	25519	Cup	0.000	0.00	0.000	0.00	3.250	82.55	0.750	19.05	73
17201X	25520	Cup	0.000	0.00	0.000	0.00	3.265	82.93	0.750	19.05	73
74253291	25521	Cup	0.000	0.00	0.000	0.00	3.270	83.06	0.750	19.05	73
3176707M91	25522	Cup	0.000	0.000	0.000	0.000	3.27	83.06	0.753	19.11	73
70225633	25570	Cone	1.437	36.50	1.000	25.40	0.000	0.00	0.000	0.00	73
70929161	25572	Cone	1.500	38.10	1.000	25.40	0.000	0.00	0.000	0.00	73
7713167	25577	Cone	1.688	42.88	1.000	25.40	0.000	0.00	0.000	0.00	73
70210008	25580	Cone	1.750	44.45	1.000	25.40	0.000	0.00	0.000	0.00	73
X11300	25581	Cone	1.750	44.45	1.000	25.40	0.000	0.00	0.000	0.00	73
11300	25581	Cone	1.750	44.45	1.000	25.40	0.000	0.00	0.000	0.00	73
7445-72	25583	Cone	1.750	44.45	1.412	35.86	0.000	0.00	0.000	0.00	73
74253936	25584	Cone	1.771	44.98	1.000	25.40	0.000	0.00	0.000	0.00	73
SNYYB-335	25590	Cone	1.796	45.62	1.000	25.40	0.000	0.00	0.000	0.00	73
893375M91	25590/25520	Cone	1.796	44.562	1	25.4	0.000	0.000	0.000	0.000	73
15854X	25820	Cup	0.000	0.00	0.000	0.00	2.875	73.03	0.750	19.05	74
712208	25821	Cup	0.000	0.00	0.000	0.00	2.875	73.03	0.750	19.05	74
15853X	25877	Cone	1.375	34.925	0.968	24.608	0.000	0.000	0.000	0.000	74
713586	25878	Cone	1.375	34.925	0.968	24.608	0.000	0.000	0.000	0.000	74
10A21642	25880	Cone	1.436	36.47	0.968	24.59	0.000	0.00	0.000	0.00	74
BB5013A	26820	Cup	0.000	0.00	0.000	0.00	3.156	80.16	0.812	20.62	75
70042887	26822	Cup	0.000	0.00	0.000	0.00	3.125	79.38	0.750	19.05	75
70927959	26822A	Cup	0.000	0.00	0.000	0.00	3.125	79.38	0.750	19.05	75
70235089	26823	Cup	0.000	0.00	0.000	0.00	3.000	76.20	0.812	20.62	75
658138M1	26824	Cup	0.000	0.00	0.000	0.00	3.149	79.98	0.750	19.05	75
70047751	26878	Cone	1.500	38.10	1.000	25.40	0.000	0.00	0.000	0.00	75
70209899	26882	Cone	1.625	41.28	1.000	25.40	0.000	0.00	0.000	0.00	75
74254984	26884	Cone	1.688	42.88	1.000	25.40	0.000	0.00	0.000	0.00	75
1881931M91	27687	Cone	3.25	82.55	1	25.4	0.000	0.000	0.000	0.000	76
1885155M91	27690	Cone	3.281	83.345	1	25.4	0.000	0.000	0.000	0.000	76
1861106M91	27695/27620	Cone	3.346	84.98	1	25.4	0.000	0.000	0.000	0.000	76

\* Use Group Number from Tapered Roller Bearing Cone and Cup Sections to Interchange Cups and Cones.

# Tapered Roller Bearings

## Cups and Cones Interchange

Listed in Ascending Order by Interchange Group

AGCO Part No.	Manufacturer Part No.	Type	Cone				Cup				Group No.*
			A Interior Diameter		B Cup Width		C Outside Diameter		D Cup Width		
			(in)	(mm)	(in)	(mm)	(in)	(mm)	(in)	(mm)	
800367	27820	Cup	0.000	0.00	0.000	0.00	3.151	80.04	1.770	44.96	77
713412	27880	Cone	1.500	38.10	0.933	23.70	0.000	0.00	0.000	0.00	77
W9112410	28521	Cup	0.000	0.00	0.000	0.00	3.625	92.075	0.781	19.845	78
WKA5014	28580	Cone	2.000	50.80	1.000	25.40	0.000	0.00	0.000	0.00	78
70244271	28621	Cup	0.000	0.00	0.000	0.00	3.812	96.82	0.765	19.43	79
1886195M91	28682/28622	Cone	2.25	57.15	0.969	24.61	0.000	0.000	0.000	0.000	79
1886195M91	28682/28622	Cup	0.000	0.000	0.000	0.000	3.843	97.63	0.765	19.43	79
157168A	28678	Cone	2.000	50.80	0.968	24.59	0.000	0.00	0.000	0.00	79
713156	28680	Cone	2.187	55.55	0.968	24.59	0.000	0.00	0.000	0.00	79
1886195M91	28682/28622	Cone	2.25	57.15	0.969	24.61	0.000	0.000	0.000	0.000	79
700706038	28920	Cup	0.000	0.00	0.000	0.00	4.000	101.60	0.781	19.84	80
15611	28921	Cup	0.000	0.00	0.000	0.00	3.937	100.00	0.781	19.84	80
71119323	28985	Cone	2.375	60.33	1.000	25.40	0.000	0.00	0.000	0.00	80
700706039	28990	Cone	2.440	62.00	0.968	24.59	0.000	0.00	0.000	0.00	80
15612	28995	Cone	2.470	62.74	1.000	25.40	0.000	0.00	0.000	0.00	80
70539112	29520	Cup	0.000	0.00	0.000	0.00	4.250	107.95	0.750	19.05	81
832930M1	29521	Cup	0.000	0.00	0.000	0.00	4.330	110.00	0.750	19.05	81
70929620	29580	Cone	2.362	60.00	1.000	25.40	0.000	0.00	0.000	0.00	81
834830M1	29582	Cone	2.362	60.00	1.000	25.40	0.000	0.00	0.000	0.00	81
70253499	29590	Cone	2.625	66.68	1.000	25.40	0.000	0.00	0.000	0.00	81
10A20106	29585	Cone	2.500	63.50	1.000	25.40	0.000	0.00	0.000	0.00	81
1860503M93	29685/29620	Cup	0.000	0.000	0.000	0.000	4.437	112.712	0.75	19.05	82
700710378	29360	Cup	0.000	0.000	0.000	0.000	4.75	120.65	0.75	19.05	82
833638M1	29675	Cone	2.75	69.85	1	25.4	0.000	0.000	0.000	0.000	82
1860503M93	29685/29620	Cone	2.875	73.025	1	25.4	0.000	0.000	0.000	0.000	82
70555360	LM29710	Cup	0.000	0.000	0.000	0.000	2.562	65.087	0.55	13.97	83
15871	LM29700LA902A1	Cone	1.500	38.10	0.720	18.29	0.000	0.00	0.000	0.00	83
70555361	LM29749	Cone	1.500	38.10	0.720	18.29	0.000	0.00	0.000	0.00	83
700006211	30204	Cone	0.787	20	0.551	14	0.000	0.000	0.000	0.000	84
700006210	30205	Cone	0.984	25	0.591	15	0.000	0.000	0.000	0.000	85
700001840	30205	Cone	0.984	25.00	0.591	15.00	0.000	0.00	0.000	0.00	85
72160240	31521	Cup	0.000	0.00	0.000	0.00	3.000	76.20	0.937	23.80	86
72160241	31597	Cone	1.437	36.512	1.125	28.575	0.00	0.00	0.00	0.00	86
700703795	33251	Cone	2.500	63.50	1.188	30.16	0.000	0.00	0.000	0.00	87
504227M1	33275	Cone	2.750	69.85	1.188	30.16	0.000	0.00	0.000	0.00	87
831733M1	33287	Cone	2.875	73.03	1.188	30.16	0.000	0.00	0.000	0.00	87
107610A	33461	Cup	0.000	0.00	0.000	0.00	4.625	117.48	0.938	23.83	87
504226M1	33462	Cup	0.000	0.00	0.000	0.00	4.625	117.48	0.937	23.80	87
700703794	33472	Cup	0.000	0.00	0.000	0.00	4.724	120.00	0.923	23.44	87

TAPERED ROLLER

\* Use Group Number from Tapered Roller Bearing Cone and Cup Sections to Interchange Cups and Cones.

# Tapered Roller Bearings

## Cups and Cones Interchange

Listed in Ascending Order by Interchange Group

TAPERED ROLLER

AGCO Part No.	Manufacturer Part No.	Type	Cone				Cup				Group No.*
			A Interior Diameter		B Cup Width		C Outside Diameter		D Cup Width		
			(in)	(mm)	(in)	(mm)	(in)	(mm)	(in)	(mm)	
70061088	33821	Cup	0.000	0.00	0.000	0.00	3.750	95.25	0.875	22.23	88
70061087	33889	Cone	2.000	50.80	1.125	28.58	0.000	0.00	0.000	0.00	88
70931618	33891	Cone	2.062	52.37	1.125	28.58	0.000	0.00	0.000	0.00	88
74254801	33895	Cone	2.125	53.98	1.125	28.58	0.000	0.00	0.000	0.00	88
AG707333	34300	Cone	3.000	76.20	0.906	23.01	0.000	0.00	0.000	0.00	89
10A8440	34301	Cone	3.000	76.20	0.906	23.01	0.000	0.00	0.000	0.00	89
70619872	34306	Cone	3.062	77.77	0.906	23.01	0.000	0.00	0.000	0.00	89
73028644	34478	Cup	0.000	0.000	0.000	0.000	4.781	121.442	0.687	17.462	89
983367	35176	Cone	1.750	44.45	0.906	23.01	0.000	0.00	0.000	0.00	90
983368	35326	Cup	0.000	0.00	0.000	0.00	3.266	82.96	0.688	17.48	90
1850909M91	37425	Cone	4.25	107.95	0.844	21.438	0.000	0.000	0.000	0.000	91
1850909M91	37425	Cup	0.000	0.000	0.000	0.000	4.25	107.95	0.844	21.438	91
70933868	39520	Cup	0.000	0.000	0.000	0.000	4.437	112.712	0.937	23.812	93
70933165	39573	Cone	2.000	50.80	1.187	30.15	0.000	0.00	0.000	0.00	93
74254258	39580	Cone	2.250	57.15	1.187	30.15	0.000	0.00	0.000	0.00	93
74253787	39585	Cone	2.500	63.50	1.187	30.15	0.000	0.00	0.000	0.00	93
588221M2	39590	Cone	2.625	66.675	1.187	30.162	0.000	0.000	0.000	0.000	93
70929667	42375A	Cone	3.750	95.25	1.141	28.97	0.000	0.00	0.000	0.00	94
AG706729	42381	Cone	3.812	96.82	1.141	28.97	0.000	0.00	0.000	0.00	94
771130M1	42381	Cone	3.812	96.82	1.141	28.97	0.000	0.00	0.000	0.00	94
833135M1	42584	Cup	0.000	0.000	0.000	0.000	5.843	148.43	0.843	21.432	94
700720336	42620	Cup	0.000	0.000	0.000	0.000	5	127	0.875	22.225	95
700720334	42687	Cone	3	76.2	1.22	31	0.000	0.000	0.000	0.000	95
700720518	42690	Cone	3.062	77.77	1.220	31.00	0.000	0.00	0.000	0.00	95
10P2421	43125	Cone	1.125	28.58	0.947	24.05	0.000	0.00	0.000	0.00	96
10P2422	43312	Cup	0.000	0.00	0.000	0.00	3.125	79.38	0.687	17.45	96
71326257	L44600LA	Cone	1.000	25.40	0.580	14.73	0.000	0.00	0.000	0.00	97
SN777	L44610	Cup	0.000	0.00	0.000	0.00	1.980	50.29	0.420	10.67	97
832190M1	L44610	Cup	0.000	0.000	0.000	0.000	1.98	50.292	0.42	10.668	97
70341230	L44643	Cone	0.000	0.000	0.000	0.000	1	25.4	0.58	14.732	97
70937219	L44649	Cone	1.062	27.00	0.580	14.73	0.000	0.00	0.000	0.00	97
70073111	45220	Cup	0.000	0.000	0.000	0.000	4.125	104.775	0.937	23.812	98
70659153	45221	Cup	0.000	0.00	0.000	0.00	4.125	104.78	0.937	23.80	98
70080730	45285	Cone	2	50.8	1.218	30.958	0.000	0.000	0.000	0.000	98
70073112	45290	Cone	2.25	57.15	1.218	30.958	0.000	0.000	0.000	0.000	98
70244167	45291	Cone	2.250	57.15	1.219	30.96	0.000	0.00	0.000	0.00	98
831894M1	47620	Cup	5.25	133.35	1.031	26.195	0.000	0.000	0.000	0.000	100
983522	47620A	Cup	0.000	0.00	0.000	0.00	5.250	133.35	1.031	26.19	100
983527	47681	Cone	3.187	80.95	1.313	33.34	0.000	0.00	0.000	0.00	100

\* Use Group Number from Tapered Roller Bearing Cone and Cup Sections to Interchange Cups and Cones.

# Tapered Roller Bearings

## Cups and Cones Interchange

Listed in Ascending Order by Interchange Group

AGCO Part No.	Manufacturer Part No.	Type	Cone				Cup				Group No.*
			A Interior Diameter		B Cup Width		C Outside Diameter		D Cup Width		
			(in)	(mm)	(in)	(mm)	(in)	(mm)	(in)	(mm)	
832590M1	47686	Cone	3.250	82.55	1.313	33.34	0.000	0.00	0.000	0.00	100
983530	47687	Cone	3.250	82.55	1.313	33.34	0.000	0.00	0.000	0.00	100
AG705960	48220	Cup	0.000	0.00	0.000	0.00	7.187	182.55	1.312	33.32	101
AG705959	48290	Cone	5.000	127.00	1.500	38.10	0.000	0.00	0.000	0.00	101
700710370	48320	Cup	0.000	0.000	0.000	0.000	7.5	190.5	1.312	33.324	102
700710380	48385	Cone	5.250	133.35	1.562	39.67	0.000	0.00	0.000	0.00	102
AG519693	48393	Cone	5.375	136.53	1.562	39.67	0.000	0.00	0.000	0.00	102
SN1603	LM48510	Cup	0.000	0.00	0.000	0.00	2.562	65.07	0.550	13.97	103
70227666	LM48510	Cup	0.000	0.000	0.000	0.000	2.562	65.087	0.55	13.97	103
SN1602	LM48548	Cone	1.375	34.93	0.720	18.29	0.000	0.00	0.000	0.00	103
70926702	LM48500LA902A1	Cone	1.375	34.93	0.720	18.29	0.000	0.00	0.000	0.00	103
843036M1	LM48548A	Cone	1.375	34.93	0.720	18.29	0.000	0.00	0.000	0.00	103
AG604447	52400A	Cone	4.000	101.60	1.421	36.09	0.000	0.00	0.000	0.00	104
AG604448	52618	Cup	0.000	0.00	0.000	0.00	6.187	157.15	1.031	26.19	104
195163M1	53177	Cone	1.750	44.45	1.114	28.30	0.000	0.00	0.000	0.00	105
8050676	55200	Cone	2.000	50.80	1.059	26.90	0.000	0.00	0.000	0.00	106
808345	55437	Cup	0.000	0.00	0.000	0.00	4.375	111.13	0.812	20.62	106
AG711900	64450	Cone	4.500	114.30	1.625	41.28	0.000	0.00	0.000	0.00	109
AG711901	64700	Cup	0.000	0.00	0.000	0.00	7.000	177.80	1.187	30.15	109
AG706906	65237-A	Cone	2.375	60.33	1.750	44.45	0.000	0.00	0.000	0.00	110
AG706914	65500	Cup	0.000	0.00	0.000	0.00	5.000	127.00	1.375	34.93	110
WR15493	LM67010	Cup	0.000	0.00	0.000	0.00	2.328	59.13	0.465	11.81	112
711242	LM67010	Cup	0.000	0.000	0.000	0.000	2.328	59.13	0.465	11.81	112
711507	LM67048	Cone	1.25	31.75	0.66	16.764	0.000	0.000	0.000	0.000	112
70531251	LM67000LA902A1	Cone	1.250	31.75	0.660	16.76	0.000	0.00	0.000	0.00	112
7713860	67322	Cup	0.000	0.00	0.000	0.00	7.750	196.85	1.500	38.10	113
71314481	67390	Cone	5.250	133.35	1.812	46.02	0.000	0.00	0.000	0.00	113
70933953	67675	Cup	0.000	0.00	0.000	0.00	6.750	171.45	0.994	25.25	114
700717117	L68111	Cup	0.000	0.000	0.000	0.000	1.378	35	0.47	11.938	115
700717118	L68149	Cone	1.378	34.99	0.66	16.76	0.000	0.000	0.000	0.000	115
AG012658	68462	Cone	4.625	117.48	1.250	31.75	0.000	0.00	0.000	0.00	116
AG012666	68712	Cup	0.000	0.00	0.000	0.00	7.125	181.00	1.000	25.40	116
SNYYB-332	JL69310	Cup	0.000	0.00	0.000	0.00	2.480	63.00	0.669	17.00	117
70582091	JL69310	Cup	0.000	0.00	0.000	0.00	2.480	63.00	0.669	17.00	117
70582092	JL69349	Cone	1.496	38	0.699	17.762	0.000	0.000	0.000	0.000	117
AG132710	72212C	Cone	2.125	53.98	1.291	32.79	0.000	0.000	0.000	0.000	118
72162245	72487	Cup	0.000	0.00	0.000	0.00	4.875	123.83	1.000	25.40	118
AG520699	74550	Cone	5.500	139.70	1.875	47.63	0.000	0.00	0.000	0.00	119
AG520700	74850	Cup	0.000	0.00	0.000	0.00	8.500	215.90	1.375	34.93	119

\* Use Group Number from Tapered Roller Bearing Cone and Cup Sections to Interchange Cups and Cones.

TAPERED ROLLER

# Tapered Roller Bearings

## Cups and Cones Interchange

Listed in Ascending Order by Interchange Group

TAPERED ROLLER

AGCO Part No.	Manufacturer Part No.	Type	Cone				Cup				Group No.*
			A Interior Diameter		B Cup Width		C Outside Diameter		D Cup Width		
			(in)	(mm)	(in)	(mm)	(in)	(mm)	(in)	(mm)	
8050262	M84510	Cup	0.000	0.00	0.000	0.00	2.250	57.15	0.580	14.73	122
8050270	M84548	Cone	1.000	25.40	0.765	19.43	0.000	0.00	0.000	0.00	122
3310930M91	M86649/M86610	Cup	0.000	0.000	0.000	0.000	0.253	64.29	0.656	16.67	123
3310930M91	M86649/M86611	Cone	1.188	30.16	0.844	21.43	0.000	0.000	0.000	0.000	123
832927M1	M88010	Cup	0.000	0.00	0.000	0.00	2.687	68.25	0.687	17.45	124
832926M1	M88048	Cone	1.312	33.32	0.875	22.23	0.000	0.00	0.000	0.00	124
831486M1	HM88510	Cup	0.000	0.00	0.000	0.00	2.875	73.03	0.906	23.01	125
EB5026A	HM88511	Cup	0.000	0.00	0.000	0.00	2.875	73.03	0.906	23.01	125
831487M1	HM88542	Cone	1.250	31.75	1.093	27.76	0.000	0.00	0.000	0.00	125
7710106	HM88610	Cup	0.000	0.00	0.000	0.00	2.843	72.21	0.781	19.84	126
7710114	HM88649	Cone	1.375	34.93	1.000	25.40	0.000	0.00	0.000	0.00	126
212609M1	HM89410	Cup	0.000	0.00	0.000	0.00	3.000	76.20	0.906	23.01	127
70244195	HM89411	Cup	0.000	0.00	0.000	0.00	3.000	76.20	0.906	23.01	127
70244162	HM89446	Cone	1.375	34.93	1.125	28.58	0.000	0.00	0.000	0.00	127
70927953	HM89449	Cone	1.437	36.50	1.125	28.58	0.000	0.00	0.000	0.00	127
70927273	LM102910	Cup	0.000	0.00	0.000	0.00	2.891	73.43	0.620	15.75	128
70927270	LM102949	Cone	1.781	45.24	0.780	19.81	0.000	0.00	0.000	0.00	128
N14866	JLM104910	Cup	0.000	0.00	0.000	0.00	3.228	82.00	0.669	17.00	129
70932928	LM104911	Cup	0.000	0.00	0.000	0.00	3.250	82.55	0.650	16.51	129
70929740	LM104912	Cup	0.000	0.00	0.000	0.00	3.265	82.93	0.650	16.51	129
X14867	JLM104948	Cone	1.969	50.00	0.847	21.51	0.000	0.00	0.000	0.00	129
70929742	LM104949	Cone	2.000	50.80	0.875	22.23	0.000	0.00	0.000	0.00	129
4303274	M201047	Cone	1.562	39.67	0.870	22.10	0.000	0.00	0.000	0.00	130
71162782	JM205110	Cup	0.000	0.00	0.000	0.00	3.543	90.00	0.905	23.00	131
71162781	JM205149	Cone	1.968	50.00	1.102	28.00	0.000	0.00	0.000	0.00	131
70928285	JM207010	Cup	0.000	0.00	0.000	0.00	3.740	95.00	0.925	23.50	132
70928284	JM207049	Cone	2.165	55.00	1.141	29.00	0.000	0.00	0.000	0.00	132
70928069	JH211710	Cup	0.000	0.00	0.000	0.00	4.724	120.00	1.259	32.00	133
70928064	JH211749	Cone	2.559	65.00	1.515	38.48	0.000	0.00	0.000	0.00	133
70680631	HM212010	Cup	0.000	0.00	0.000	0.00	4.812	122.22	1.170	29.72	134
70634567	HM212011	Cup	0.000	0.00	0.000	0.00	4.812	122.22	1.170	29.72	134
70087027	HM212046	Cone	2.500	63.50	1.510	38.35	0.000	0.00	0.000	0.00	134
70931012	HM212049	Cone	2.625	66.68	1.510	38.35	0.000	0.00	0.000	0.00	134
700710375	HM218210	Cup	0.000	0.000	0.000	0.000	5.787	147	1.28	32.5	136
72162346	HM218238	Cone	3.150	80.00	1.575	40.00	0.000	0.00	0.000	0.00	136
70928056	HM218248	Cone	3.543	90.00	1.574	40.00	0.000	0.00	0.000	0.00	136
70931024	JH307710	Cup	0.000	0.000	0.000	0.000	4.330	1010	1.259	31.998	139
70931025	JH307749	Cone	2.165	55.00	1.535	39.00	0.000	0.00	0.000	0.00	139
72163082	L319210	Cup	0.000	0.00	0.000	0.00	5.125	130.18	0.656	16.66	140

\* Use Group Number from Tapered Roller Bearing Cone and Cup Sections to Interchange Cups and Cones.



# Tapered Roller Bearings

## Cups and Cones Interchange

Listed in Ascending Order by Interchange Group

AGCO Part No.	Manufacturer Part No.	Type	Cone				Cup				Group No.*
			A Interior Diameter		B Cup Width		C Outside Diameter		D Cup Width		
			(in)	(mm)	(in)	(mm)	(in)	(mm)	(in)	(mm)	
72163082	L319249	Cone	3.750	95.25	0.843	21.41	0.000	0.00	0.000	0.00	140
1612561M1	JH415610	Cup	0.000	0.00	0.000	0.00	5.708	145.00	1.653	42.00	142
1612560M1	JH415647	Cone	2.952	75.00	2.007	51.00	0.000	0.00	0.000	0.00	142
74254699	LM501310	Cup	0.000	0.00	0.000	0.00	2.891	73.43	0.580	14.73	143
74254700	LM501349	Cone	1.625	41.275	0.78	19.812	0.000	0.000	0.000	0.000	143
834829M1	JLM506810	Cup	0.000	0.000	0.000	0.000	3.543	810	0.728	18.498	145
834828M1	JLM506849	Cone	2.165	55	0.905	23	0.000	0.000	0.000	0.000	145
700723853	JLM506849A	Cone	2.165	55.00	0.905	23.00	0.000	0.00	0.000	0.00	145
70933016	JLM508710	Cup	0.000	0.00	0.000	0.00	3.740	95.00	0.748	19.00	146
70933017	JLM508748	Cone	2.362	60.00	0.944	24.00	0.000	0.00	0.000	0.00	146
70929396	JM511910	Cup	0.000	0.000	0.000	0.000	4.330	1010	0.885	22.499	147
70929399	JM511946	Cone	2.559	65.00	1.102	28.00	0.000	0.00	0.000	0.00	147
70927348	JM515610	Cup	0.000	0.00	0.000	0.00	5.118	130.00	1.122	28.50	148
70927347	JM515649	Cone	3.149	80.00	1.338	34.00	0.000	0.00	0.000	0.00	148
70633711	HM516410	Cup	0.000	0.00	0.000	0.00	5.250	133.35	1.281	32.54	149
70929726	HM516448	Cone	3.250	82.55	1.562	39.67	0.000	0.00	0.000	0.00	149
834816M1	JHM516810	Cup	0.000	0.00	0.000	0.00	5.511	140.00	1.240	31.50	150
834815M1	JHM516849	Cone	3.346	85.00	1.496	38.00	0.000	0.00	0.000	0.00	150
AG027643	LM522548	Cone	4.330	110.00	1.375	34.93	0.000	0.00	0.000	0.00	151
700715743	JHM522649	Cone	4.330	110.00	1.811	46.00	0.000	0.00	0.000	0.00	152
700715745	JHM522610	Cup	0.000	0.00	0.000	0.00	7.086	180.00	1.496	38.00	152
556999D1	LM545849	Cone	9.25	234.95	1.937	49.2	0.000	0.000	0.000	0.000	154
SN3684	LM603011	Cup	0.000	0.00	0.000	0.00	3.062	77.77	0.593	15.06	155
833094M1	LM603011	Cup	0.000	0.00	0.000	0.00	3.062	77.77	0.593	15.06	155
70937206	LM603012	Cup	0.000	0.00	0.000	0.00	3.062	77.77	0.656	16.66	155
833847M1	LM603014	Cup	0.000	0.00	0.000	0.00	3.149	80.00	0.593	15.06	155
SN3683	LM603049	Cone	1.781	45.24	0.781	19.84	0.000	0.00	0.000	0.00	155
833095M1	LM603049	Cone	1.781	45.24	0.781	19.84	0.000	0.00	0.000	0.00	155
843857M1	L610549	Cone	2.500	63.50	0.750	19.05	0.000	0.00	0.000	0.00	156
71162723	JM612910	Cup	0.000	0.00	0.000	0.00	4.527	115.00	0.905	23.00	157
71162724	JM612949	Cone	2.755	70.00	1.141	29.00	0.000	0.00	0.000	0.00	157
70240289	LM613410	Cup	0.000	0.00	0.000	0.00	4.437	112.70	0.625	193.00	158
70240364	LM613449	Cone	2.750	69.85	0.866	22.00	0.000	0.00	0.000	0.00	158
70930426	JLM710910	Cup	0.000	0.00	0.000	0.00	4.133	105.00	0.728	18.50	160
70930424	JLM710949C	Cone	2.559	65.00	0.905	22.99	0.000	0.00	0.000	0.00	160
3764595M1	JLM714110	Cup	0.000	0.000	0.000	0.000	4.528	115	0.748	19	162
3764595M1	JLM714110	Cone	4.528	115	0.748	19	0.00	0.00	0.00	0.00	162
AG028804	JLM714110	Cup	0.000	0.00	0.000	0.00	4.527	115.00	0.748	19.00	162
3764595M1	JLM714110	Cone	4.528	115	0.748	19	0.00	0.00	0.00	0.00	162

TAPERED ROLLER

\* Use Group Number from Tapered Roller Bearing Cone and Cup Sections to Interchange Cups and Cones.

# Tapered Roller Bearings

## Cups and Cones Interchange

Listed in Ascending Order by Interchange Group

TAPERED ROLLER

AGCO Part No.	Manufacturer Part No.	Type	Cone				Cup				Group No.*
			A Interior Diameter		B Cup Width		C Outside Diameter		D Cup Width		
			(in)	(mm)	(in)	(mm)	(in)	(mm)	(in)	(mm)	
70930883	JM714210	Cup	0.000	0.00	0.000	0.00	4.724	120.00	0.984	25.00	163
70930884	JM714249	Cone	2.952	75.00	1.161	29.49	0.000	0.00	0.000	0.00	163
CH2D-9454	H715311PW2	Cup	0.000	0.000	0.000	0.000	5.375	136.53	1.437	36.512	164
833051M1	H715311	Cup	0.000	0.000	0.000	0.000	5.375	136.525	1.4374	36.512	164
984264	H715311A	Cup	0.000	0.00	0.000	0.00	5.375	136.53	1.437	36.51	164
834594M1	H715332	Cone	2.375	60.33	1.813	46.04	0.000	0.00	0.000	0.00	164
AG706213	JM716610	Cup	0.000	0.000	0.000	0.000	5.118	130	0.944	24.000	165
AG706213	JM716611	Cup	0.000	0.000	0.000	0.000	5.118	130	0.944	24.000	165
4336119	JM716648	Cone	3.346	85.00	1.141	29.00	0.000	0.00	0.000	0.00	165
834950M1	JM716649	Cone	3.346	85.00	1.141	29.00	0.000	0.00	0.000	0.00	165
70937180	JM719113	Cup	0.000	0.00	0.000	0.00	5.905	150.00	1.063	27.00	166
70937181	JM719149	Cone	3.740	95.00	1.338	33.99	0.000	0.00	0.000	0.00	166
843691M1	JHM720210	Cup	0.000	0.00	0.000	0.00	6.299	160.00	1.259	32.00	167
700729052	JHM720249	Cone	3.937	100	1.574	40	0.000	0.000	0.000	0.000	167
700703800	JM720210	Cup	0.000	0.000	0.000	0.000	6.102	155	1.102	28.00	168
700703802	JM720249	Cone	3.937	100.00	1.378	35.00	0.000	0.00	0.000	0.00	168
70932975	HM801310	Cup	0.000	0.00	0.000	0.00	3.250	82.55	0.906	23.00	169
72162895	HM801346	Cone	1.500	38.10	1.125	28.58	0.000	0.00	0.000	0.00	169
CH6S-6031	M802011	Cup	0.000	0.000	0.000	0.000	1.625	41.275	0.795	20.193	170
CH6S-6032	M802048	Cone	1.625	41.28	1.01	25.65	0.000	0.000	0.000	0.000	170
71160044	HM803110	Cup	0.000	0.00	0.000	0.00	3.500	88.90	0.906	23.00	171
VLA9273	HM803146/HM803110	Cone	1.625	41.275	1.187	30.162	0.000	0.000	0.000	0.000	171
70929834	HM803149	Cone	1.750	44.45	1.156	29.36	0.000	0.00	0.000	0.00	171
70937162	M804010	Cup	0.000	0.00	0.000	0.00	3.500	88.90	0.750	19.05	172
70937161	M804049	Cone	1.875	47.63	1.000	25.40	0.000	0.00	0.000	0.00	172
831047M1	HM804810	Cup	0.000	0.000	0.000	0.000	3.75	95.25	0.906	23.020	173
833296M1	4T-HM804840	Cone	1.625	41.28	1.156	29.37	0.000	0.00	0.000	0.00	173
AG707120	HM804842	Cone	1.750	44.45	1.156	29.36	0.000	0.00	0.000	0.00	173
Z15306	HM804846	Cone	1.875	47.63	1.156	29.36	0.000	0.000	0.000	0.000	173
7445-29	HM804848	Cone	1.906	48.41	1.156	29.36	0.000	0.00	0.000	0.00	173
984335	HM804849	Cone	1.906	48.41	1.156	29.36	0.000	0.00	0.000	0.00	173
V662220	LM806649/LM806610	Cone	2.125	53.975	0.75	19.05	0.000	0.000	0.000	0.000	174
V662220	LM806649/LM806611	Cup	0.000	0.000	0.000	0.000	3.5	88.9	0.531	13.49	174
AG706697	HM807010	Cup	0.000	0.000	0.000	0.000	4.125	104.775	1.125	28.575	175
70930427	HM807011	Cup	0.000	0.00	0.000	0.00	4.125	104.78	1.125	28.58	175
70934840	HM807046	Cone	2	50.8	1.437	36.499	0.00	0.00	0.00	0.00	175
843033M1	JLM813010	Cup	0.000	0.00	0.000	0.00	4.330	110.00	0.807	20.50	176
843035M1	JLM813049	Cone	2.755	70.00	0.984	25.00	0.000	0.00	0.000	0.00	176
70927957	L814710	Cup	0.000	0.00	0.000	0.00	4.312	109.52	0.593	15.06	179

\* Use Group Number from Tapered Roller Bearing Cone and Cup Sections to Interchange Cups and Cones.

# Tapered Roller Bearings Cups and Cones Interchange

Listed in Ascending Order by Interchange Group

AGCO Part No.	Manufacturer Part No.	Type	Cone				Cup				Group No.*
			A Interior Diameter		B Cup Width		C Outside Diameter		D Cup Width		
			(in)	(mm)	(in)	(mm)	(in)	(mm)	(in)	(mm)	
70927949	L814749	Cone	3.000	76.20	0.750	19.05	0.000	0.00	0.000	0.00	179
833242M1	LM814810	Cup	0.000	0.00	0.000	0.00	4.625	117.48	0.750	19.05	180
833241M1	LM814849	Cone	3.062	77.77	1.000	25.40	0.000	0.00	0.000	0.00	180
70927349	JM822010	Cup	0.000	0.000	0.000	0.000	6.496	165.000	1.043	26.499	181
70927350	JM822049	Cone	4.330	110.00	1.378	35.00	0.000	0.00	0.000	0.00	181
1850090M92	HM903210	Cup	0.000	0.000	0.000	0.000	3.75	95.25	0.875	22.225	182
1850090M92	HM903249	Cone	1.75	44.45	1.125	28.575	0.000	0.000	0.000	0.000	182

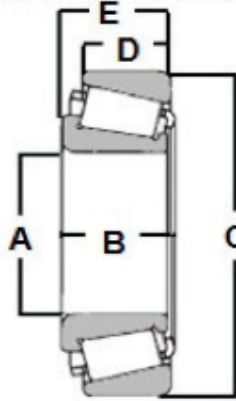
TAPERED ROLLER

\* Use Group Number from Tapered Roller Bearing Cone and Cup Sections to Interchange Cups and Cones.

# Tapered Roller Bearings Tapered Assembly

Listed in Ascending Order by Interior Diameter

Tapered Assembly



AGCO offers a wide range of bearings from a number of manufacturers.

These Manufacturer Part Numbers are listed for reference only. The part number will not guarantee a specific manufacturer.

TAPERED ROLLER

AGCO Part No.	Manufacturer Part No.	Cone				Cup				E Total Width	
		A Interior Diameter		B Cup Width		C Outside Diameter		D Cup Width			
		(in)	(mm)	(in)	(mm)	(in)	(mm)	(in)	(mm)	(in)	(mm)
6215029	LR201RRU	0.433	11	1.377	35	0.590	15	0.393	10	1.378	35
2513850W91	LM11949 ASSY 90013	0.75	19.05	0.655	16.637	1.78	45.212	0.475	12.065	0.61	15.494
150662M11	9067/9195	0.75	19.05	0.71	18.034	1.938	49.23	0.562	14.29	0.71	18.034
30-3479811	32205B-92KA1	0.984	25	0.708	18	2.047	51.998	0.590	15	0.757	19.250
1109977	30305A	0.984	25	0.669	17	2.440	61.998	0.590	15	0.718	18.249
1442550X1	4T-32305	0.984	25	0.944	24	2.440	61.998	0.787	110	0.994	25.250
51805	07000LA 902A1	1	25.4	0.561	14.259	1.968	50.004	0.375	9.525	0.594	15.087
71326257	L44600LA-902A1	1	25.4	0.591	15	1.98	50.292	0.42	10.668	0.591	15
700710419	L44600LA-902A7	1	25.4	1.245	31.623	2.078	52.781	0.965	24.511	1.245	31.623
70926704	L44643 ASY90025	1	25.4	0.58	14.732	1.98	50.292	0.42	10.668	0.56	14.224
4303279	30206AR/30286A	1.181	29.997	0.63	16.002	2.441	62	0.512	13.004	0.679	17.246
1109989	31306A	1.181	29.997	0.748	19	2.835	72	0.629	16	0.816	20.749
1104517	4T-33206	1.181	29.997	0.984	25	2.441	62	0.768	19.507	0.984	25
1109956	30206A	1.181	30	0.629	16	2.440	61.998	0.551	14	0.679	17.249
17390	30306JR	1.181	30	0.748	19	2.834	71.998	0.629	16	0.816	20.749
700712353	32206J 2/Q	1.181	30	0.787	110	2.440	61.998	0.669	17	0.836	21.249
3310930M91	M86649/M86610	1.188	30.16	0.844	21.43	0.253	64.29	0.656	16.67	0.844	21.43
3282907M1	15123/15245	1.25	31.75	0.75	19.05	2.440	61.998	0.562	14.287	0.75	19.05
1850224M91	15123/15245	1.25	31.75	0.75	19.05	2.441	62	0.562	14.288	0.75	19.05
833633M91	LM67048-90041	1.25	31.75	0.625	15.875	2.329	59.156	0.594	15.087	1.413	35.890
700706124	LM48548-90038	1.375	34.925	0.72	18.288	2.562	65.087	0.55	13.97	1.558	39.573
1173661	19138/19268	1.378	35	0.650	16.520	2.687	68.262	0.468	11.907	0.625	15.875
390876X1	32307	1.378	35	1.220	31	3.149	80	0.984	25	1.289	32.750
1109979	30307A	1.378	35	0.826	21	3.149	80	0.708	18	0.895	22.750
1101137	31307A	1.378	35	0.826	21	3.149	80	0.708	18	0.895	22.750
1136482	32007X/Q	1.378	35	0.708	18	2.440	61.998	0.551	14	0.708	18

# Tapered Roller Bearings Tapered Assembly

Listed in Ascending Order by Interior Diameter

AGCO Part No.	Manufacturer Part No.	Cone				Cup				E Total Width	
		A Interior Diameter		B Cup Width		C Outside Diameter		D Cup Width			
		(in)	(mm)	(in)	(mm)	(in)	(mm)	(in)	(mm)	(in)	(mm)
1110001	32207JR	1.378	35	0.905	23	2.834	71.998	0.748	19	0.954	24.249
1137018	33207JR	1.378	35	1.102	28	2.835	72	0.866	21.996	1.102	28
74357289	LM29749ASY90013	1.5	38.1	0.72	18.288	2.656	67.462	0.55	13.97	1.56	39.624
70272712	31308	1.574	40	0.905	23	3.543	810	0.669	17	0.994	25.250
1440636X1	32308	1.574	40	1.299	33	3.543	810	1.063	27	1.387	35.250
4351472	32008X-VB022	1.574	40	0.748	19	2.677	68	0.570	14.500	0.748	19
1110002	32208A	1.574	40	0.905	23	3.149	80	0.748	19	0.974	24.749
70241492	3877A/3822RB	1.625	41.275	1.186	30.137	3.469	88.132	0.938	23.825	1.188	30.175
3405249M91	4388/4335	1.625	41.275	1.59	40.386	3.562	90.488	1.312	33.338	1.59	40.386
VLA9273	HM803146/HM803110	1.625	41.275	1.187	30.162	3.5	88.9	0.906	23	1.187	30.162
984323	HM803111/HM803149	1.75	44.45	1.563	39.700	3.5	88.9	0.906	23.020	1.187	30.162
1850090M92	HM903210/HM903249	1.75	44.45	1.125	28.575	3.75	95.25	0.875	22.225	1.218	30.957
30-3214613	HM903249 90013	1.75	44.45	1.125	28.575	3.75	95.25	0.875	22.225	2.953	75
1851388M91	3782/3720	1.75	44.45	1.187	30.16	3.671	93.264	0.937	23.813	1.188	30.16
1109992	31309	1.771	45	0.984	25	3.937	100	0.708	18	1.072	27.25
1440640X1	30309A	1.771	45	0.984	25	3.937	100	0.866	21.998	1.072	27.249
1440826X1	31309J-N/31309JR-N	1.771	45	0.984	25	3.937	100	0.708	18	1.072	27.249
1101909	32209 J2/Q	1.771	45	0.905	23	3.346	85	0.748	19	0.974	24.749
70272800	32309 BJ2/B46	1.772	45	1.417	36	3.937	100	1.142	29	1.506	38.252
893375M91	25590/25520	1.796	44.62	1	25.4	3.265	82.93	0.75	19.05	1	25.4
72162623	M804010/M804049	1.875	47.625	1	25.4	3.5	88.9	0.75	19.05	1	25.4
4353209	BT1B332986Q	1.889	48	0.25	6.35	2.834	71.998	0.669	17	0.905	23
984151	HH506311/HH5063	1.968	50	1.75	44.45	4.5	114.3	1.42	36.068	1.75	44.45
1101386	30310A	1.968	410	1.063	27	4.330	1010	0.905	23	1.156	29.250
3009853X1	32010X	1.968	410	0.787	110	3.149	80	0.610	15.499	0.784	110
1110003	32210JR	1.968	410	0.905	23	3.543	810	0.748	19	0.974	24.749
72162531	JLM104910/JLM104948	1.968	410	0.846	21.501	3.228	81.998	0.669	17	0.845	21.50
72162619	JM205149/JM205110	1.968	410	1.102	28	3.543	810	0.905	23	1.102	28
71179958	LM11900LA 902A1/LM11910	1.968	410	1.102	28	3.543	810	0.905	23	1.102	28
70223308	375,3780,3729D	2	50.8	2.708	68.783	3.672	93.289	2.066	52.489	2.316	58.839
882554M91	3780/3720	2	50.8	1.193	30.302	3.671	93.263	0.937	23.812	1.187	30.162
70244141	385A/384SW, HM807046/010	2	50.8	2.530	64.269	4.126	104.800	2	50.8	2.530	64.269
71355352	522/529	2	50.8	1.42	36.068	4	101.6	1.062	27	1.375	34.925
70246526	389A/384SW, HM807049/010	2.125	54	2.530	64.269	4.126	104.800	2	50.8	2.530	64.269
V662220	LM806649/LM806610	2.125	53.975	0.75	19.05	3.5	88.9	0.531	13.49	0.75	19.05
1130692	33111JR	2.165	55	1.181	29.997	3.74	94.996	0.906	23	1.181	29.997
1101597	32011 X/Q	2.165	55	0.905	23	3.543	810	0.689	17.500	0.905	23
1886195M91	28682/28622	2.25	57.15	0.969	24.61	3.843	97.63	0.765	19.43	0.969	24.61

TAPERED ROLLER

# Tapered Roller Bearings Tapered Assembly

Listed in Ascending Order by Interior Diameter

TAPERED ROLLER

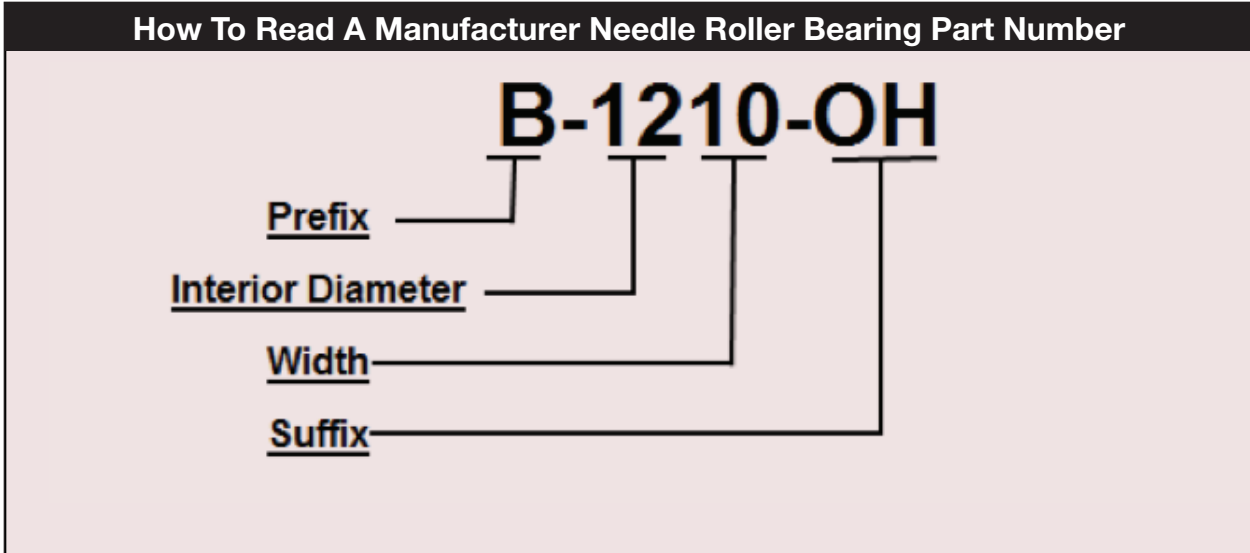
AGCO Part No.	Manufacturer Part No.	Cone				Cup				E Total Width	
		A Interior Diameter		B Cup Width		C Outside Diameter		D Cup Width			
		(in)	(mm)	(in)	(mm)	(in)	(mm)	(in)	(mm)	(in)	(mm)
982101	387/382	2.25	57.15	0.864	21.945	3.87	98.425	0.702	17.830	0.827	21
700726369	32212	2.362	60	1.102	28	4.330	1010	0.944	24	1.171	29.751
339439X1	30212JR	2.362	510	0.866	21.998	4.330	1010	0.748	19	0.935	23.749
72255674	30212A	2.362	60	0.935	23.75	4.330	1010	0.748	19	0.935	23.749
391339X1	32013XU	2.559	65	0.905	23	3.937	100	0.689	17.500	0.905	23
72162620	JM511910/JM511946	2.559	65	1.102	28	4.330	1010	0.885	22.499	1.102	28
72163184	394A & 395A	2.625	66.675	0.866	21.996	4.330	1010	0.741	18.823	0.866	21.998
1851392M91	395A/394A	2.625	66.68	0.866	22	4.331	110	0.741	18.82	0.866	22
3074890M1	395S/394A	2.625	66.68	0.866	22	4.331	110	0.741	18.82	0.866	22
3010192X91	399AS/394A	2.688	68.26	0.866	22	4.331	110	0.741	18.82	0.866	22
981095	JLM813010/JLM813049	2.755	610	0.984	25	4.330	1010	0.807	20.500	1.023	26
1109964	30214JR	2.756	70.002	0.945	24.003	4.921	125	0.827	21.005	1.033	26.238
1860503M93	29685/29620	2.875	73.025	1	25.4	4.437	112.712	0.75	19.05	1	25.4
1101901	32015JR	2.952	75	0.984	25	4.527	115	0.748	19	0.984	25
700726370	32215 92KA1	2.952	75	0.984	25	5.118	129.997	0.748	19	0.984	25
1214887	JM714210/JM714249	2.952	75	1.161	29.499	4.724	1110	0.984	25	1.220	31
1883279M91	495A/493	3	76.2	1.172	29.768	5.375	136.525	0.875	22.225	1.187	30.162
1137549	32016X	3.149	80	1.141	29	4.921	125	0.866	21.998	1.141	29
1881931M91	27687/27620	3.25	82.55	1	25.4	4.937	125.412	0.781	19.845	1	25.4
72162537	6559C/6535	3.25	82.55	2.169	55.100	6.375	161.925	1.687	42.862	2.125	53.975
3405346M91	493/498	3.312	84.137	1.172	29.768	5.375	136.525	0.875	22.225	1.187	30.162
1861106M91	27695/27620	3.346	84.98	1	25.4	4.937	125.413	0.781	19.845	1	25.4
72255679	30217JR	3.346	85	1.200	30.5	5.905	1410	0.944	24	1.200	30.500
1125783	32017JR	3.346	85	1.141	29	5.118	130	0.866	21.998	1.141	29
1109970	30219	3.740	95	1.259	31.998	6.692	1610	1.063	27	1.358	34.500
3383709M1	594/593X	3.75	95.25	1.43	36.322	5.905	1410	1.063	27	1.417	36
72163082	L319210/L319249	3.75	95.25	0.843	21.432	5.125	130.175	0.656	16.670	0.812	20.637
30-3318206	32020X	4.133	105	1.378	35	6.299	1510	1.023	26	1.378	35
70272746	56425/56650	4.25	107.95	1.437	36.512	6.5	165.1	1.062	27	1.437	36.512
AG715302	T4CB140	5.511	140	1.575	40	7.677	195	0.827	21	1.141	29



# Needle Roller Bearings

## Introduction

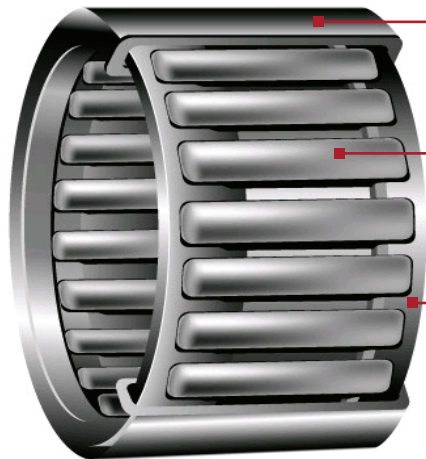
### How To Read A Manufacturer Needle Roller Bearing Part Number



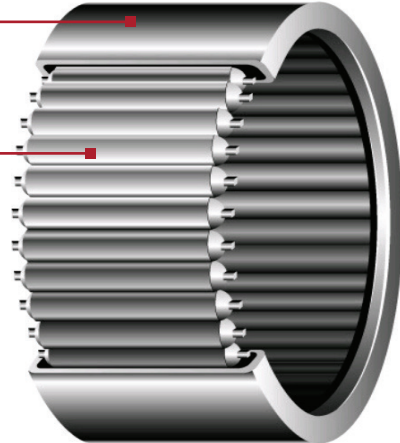
### Needle Roller Number Explanation

Prefix	Interior Diameter	Suffix
<b>Timken</b> B Mechanically retained rollers G Extra-precision H Heavy series J Caged retained rollers M Closed end T : TT One seal : Two seals	Defined in sixteenths: 12 = 12/16 = 0.75" 16 = 16/16 = 1"  <b>Width</b> Defined in sixteenths: 10 = 10/16 = 0.625" 18 = 18/16 = 1-1/8"	<b>Timken</b> F Plastic cage GF Grease fitting, closed end OH Oil hole OHE Oil hole in closed end RS : 2RS One seal : Two seals AS1: JS1 Lubricating hole

Caged Retained Rollers



Mechanically Retained Rollers



Outer Ring

Needle Rollers

Cage

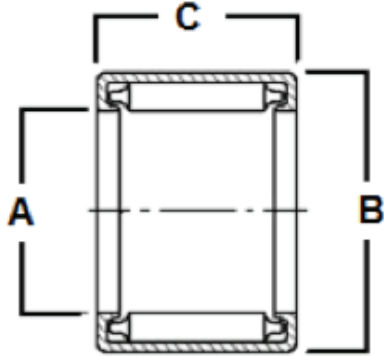
NEEDLE ROLLER

# Needle Roller Bearings

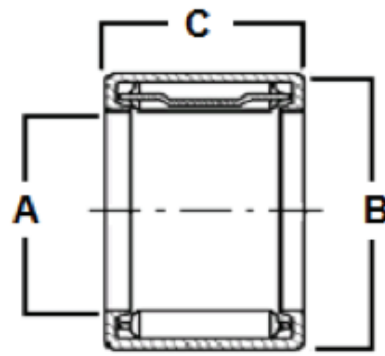
## Introduction

### Identifying The Difference Between Needle Roller Bearings

#### Mechanically Retained Rollers



#### Caged Retained Rollers



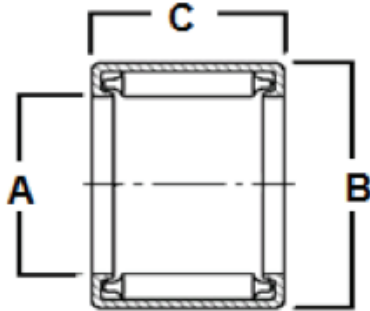
Mechanically Retained and Caged Retained are the two basic versions of a needle roller bearing. The outer shell on both versions serves as a raceway for the rollers. The standard Caged version uses a cage to guide the rollers. The Mechanically retained version uses the drawn outer shell to hold and guide the rollers.

More rollers can be used in a Mechanically retained bearing, allowing for a higher load capacity. Caged retained rollers are able to provide higher speeds and better lubrication.

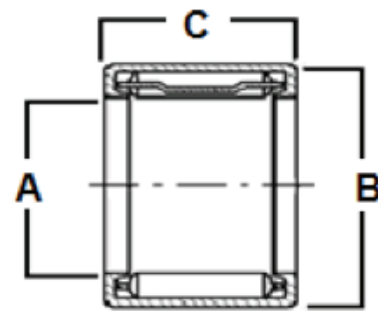
Needle bearings are commonly found in transmissions, transfer cases, engines and valve trains. With a small cross-sectional area and a high load capacity, a needle roller bearing may be used in compact areas.

NEEDLE ROLLER

### Understanding The Needle Roller Bearing Page Layout



**Mechanically Retained Rollers**



**Caged Retained Rollers**

#### Needle Roller Bearings

AGCO Part No.	Manufacturer Part No.	A Interior Diameter		B Outside Diameter		C Inner Race Width	
		(in)	(mm)	(in)	(mm)	(in)	(mm)
195196M1	B-1210-0H	0.750	19.00	1.000	25.40	0.625	15.88

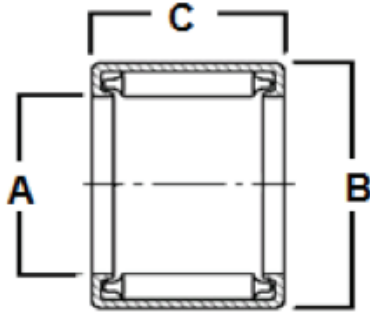
The Illustrations at the beginning of each needle roller bearing section helps identify a bearing in the absence of the Manufacturer's Part Number.

Column headings include: (A) Interior Diameter, (B) Outside Diameter and (C) Width.

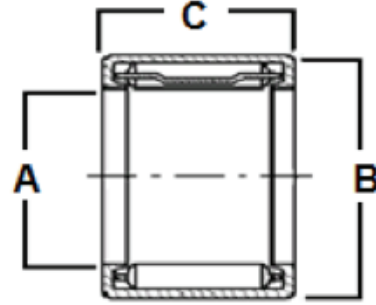


# Needle Roller Bearings

Listed in Ascending Order by Interior Diameter



**Mechanically Retained Rollers**



**Caged Retained Rollers**

AGCO offers a wide range of bearings from a number of manufacturers.  
These Manufacturer Part Numbers are listed for reference only. The part number will not guarantee a specific manufacturer.

Needle Roller Bearings							
AGCO Part No.	Manufacturer Part No.	A Interior Diameter		B Outside Diameter		C Inner Race Width	
		(in)	(mm)	(in)	(mm)	(in)	(mm)
156676A	T94-12	0.312	7.937	0.5	12.7	0.312	7.937
70937194	SCE78	0.5	12.7	0.62	15.748	0.5	12.7
832487M1	B-86	0.5	12.7	0.687	17.475	0.375	9.525
831535M1	B-88	0.5	12.7	0.688	17.475	0.5	12.7
1000251M1	B-108	0.625	15.875	0.812	20.624	0.5	12.7
195196M1	B-1210-OH	0.75	19	1	25.4	0.625	15.875
195513M1	B-1212	0.75	19	1	25.4	0.75	19
832339M1	B-1212-OH	0.75	19	1	25.4	0.75	19
834053M1	B-126	0.75	19	1	25.4	0.375	9.525
831529M1	B-128	0.75	19	1	25.4	0.5	12.7
8050544	IR-1224	0.75	19	1	25.4	1.515	38.481
71166366	HP93316 R1	0.75	19	1.187	30.162	1	25.4
71374803	YCRSC-40	0.750	19.05	2.5	63.5	1.562	39.69
4267028M1	00-05362	0.81	20.57	0.92	23.37	0.5	12.7
74253262	B-1416-OH	0.875	22.225	1.125	28.575	1	25.4
156568A	B-146	0.875	22.225	1.125	28.575	0.375	9.525
835134M1	B-148	0.875	22.225	1.125	28.575	0.5	12.7
843282M1	JT-1417	0.875	22.225	1.125	28.575	1.06	26.924
15196	JTT1414	0.875	22.225	1.125	28.575	0.875	22.225
72162233	M-14161	0.875	22.225	1.125	28.575	1	25.4
71139943	HP93416NA	0.875	22.225	1.312	33.337	1	25.4
1021790M1	HJ-142212	0.875	22.247	1.375	34.925	0.75	19
3020679M1	HK2516	0.984	25	1.26	32.004	0.63	16.002
3282159M1	NAG#4906	0.984	25	1.850	47	0.669	17
700722149	10259-210372552	0.99	25.146	2.05	52.07	1.45	36.83
3814488M2	K25x31x21H	1	25.4	1.21	30.734	0.82	20.828
7035777	74600-150	1	25.4	1.25	31.75	1	25.4
8050536	B-1616-OH	1	25.4	1.25	31.75	1	25.4

NEEDLE ROLLER

# Needle Roller Bearings

Listed in Ascending Order by Interior Diameter

Needle Roller Bearings							
AGCO Part No.	Manufacturer Part No.	A Interior Diameter		B Outside Diameter		C Inner Race Width	
		(in)	(mm)	(in)	(mm)	(in)	(mm)
833846M1	B-168	1	25.4	1.25	31.75	0.5	12.7
844165M1	DD34351	1	25.4	1.25	31.75	1	25.4
552-500	SCE1616PP	1	25.4	1.25	31.75	1	25.4
71309975	JHTT-1618-OH	1	25.4	1.312	33.324	1.1	27.94
70560985	JH 1616	1	25.4	1.312	33.338	1	25.4
834475M1	SCH1614 P	1	25.4	1.313	33.350	0.875	22.225
71114824	93524NA	1	25.4	1.375	34.93	1.5	38.1
K4650V	94524	1	25.4	1.5	38.1	1.5	38.1
70223710	160416	1	25.4	1.5	38.1	1	25.4
K4650V	94524	1	25.4	1.5	38.1	1.437	36.51
70223710	J32-1632	1	25.4	1.5	38.1	1	25.4
70211537	J32-1640	1	25.4	1.5	38.1	1.187	30.162
833717M1	B-3416	1	25.4	2.125	54	2.5	63.5
KS5042	GB-1616	1.02	25.908	1.25	31.75	1	25.4
1173591	TAF253316	1.02	25.908	1.3	33	0.625	15.875
832804M1	B-1710	1.062	27	1.312	33.337	0.625	15.875
70250333	J7134	1.125	28.575	0.625	15.875	1	25.4
834068M1	J-1812	1.125	28.575	1.374	34.92	0.748	19
831244M1	B-1816	1.125	28.575	1.375	34.925	1	25.4
831411M1	B-188	1.125	28.575	1.375	34.925	0.5	12.7
843277M1	BHAM1816	1.125	28.575	1.5	38.1	1	25.4
832719M1	94628NA	1.125	28.58	1.625	41.28	1.687	42.86
3613200M1	BHTM3030-OH	1.181	30	1.574	40	1.181	30
1610217M1	HK303712	1.25	31.75	1.45	36.83	0.47	11.938
KS5045	7712235	1.25	31.75	1.5	38.1	1	25.4
833083M1	B-2012-OH	1.25	31.75	1.5	38.1	0.75	19
831224M1	B-2016	1.25	31.75	1.5	38.1	1	25.4
700705429	B-2020-OH	1.25	31.75	1.5	38.1	1.25	31.75
831231M1	BAM-2012	1.25	31.75	1.5	38.1	0.75	19
1574600W1	JT-2013	1.25	31.75	1.5	38.1	0.812	20.624
832261M1	M-20201	1.25	31.75	1.5	38.1	1.25	31.75
70246398	C202616	1.25	31.75	1.625	41.275	1	25.4
833246M1	JH-2016-D	1.25	31.75	1.625	41.275	1	25.4
832776M1	MH-20161-D	1.25	31.75	1.625	41.275	1	25.4
15485	MH-20201	1.25	31.75	1.625	41.275	1.25	31.75
70507451	94732	1.25	31.75	1.75	44.45	2	50.8
1023219M3	90091649	1.25	31.75	1.875	47.63	4	101.6
105434A	MR-20	1.251	31.775	1.75	44.45	1.25	31.75
70255693	B-228	1.374	34.93	1.625	41.275	0.5	12.7

NEEDLE ROLLER

# Needle Roller Bearings

Listed in Ascending Order by Interior Diameter

Needle Roller Bearings							
AGCO Part No.	Manufacturer Part No.	A Interior Diameter		B Outside Diameter		C Inner Race Width	
		(in)	(mm)	(in)	(mm)	(in)	(mm)
195453M1	SCE228	1.375	34.925	1.625	41.287	0.5	12.7
843276M1	SCH2216	1.375	34.925	1.75	44.45	1	25.4
WZ6207	94828-NAH	1.375	34.925	1.875	47.625	1.75	44.45
713727	HJ-223020	1.375	34.925	1.875	47.625	1.25	31.75
101692A	HJ-223016	1.376	34.950	1.875	47.625	1	25.4
KS5041	GB-2212	1.4	35.56	1.625	41.275	0.75	19
KS5016	BH-2216	1.4	35.56	1.75	44.45	1	25.4
31-1572030	JHT-2213	1.4	35.56	1.75	44.45	0.8	20.32
3815653M1	3815653M1	1.41	35.814	1.55	39.37	0.65	16.51
3815690M1	3815690M1	1.45	36.83	1.75	44.45	0.77	19.558
157488A	C222820	1.5	38.1	1.74	44.196	1.24	31.496
72161722	B-2416-OH	1.5	38.1	1.875	47.625	1	25.4
831415M1	B-2420	1.5	38.1	1.875	47.625	1.25	31.75
833260M1	BA2416ZOH	1.5	38.1	1.875	47.625	1	25.4
700719447	HJ-243320-RS	1.5	38.1	2.062	52.387	1.25	31.75
70932891	B-248	1.52	38.608	1.88	47.752	0.5	12.7
30-3126110	SCE2412	1.57	39.878	1.88	47.752	0.75	19
167751A	B-2610	1.625	41.275	2	50.8	0.625	15.875
843032M1	J-2616	1.625	41.275	2	50.8	1	25.4
W895350L	B-2816	1.75	44.45	2.215	53.975	1	25.4
842134M1	SCE2816	1.75	44.45	2.125	54	1	25.4
3304944M1	3304944M1	1.83	46.482	2.08	52.832	0.77	19.558
842041M1	B-3012	1.875	47.625	2.25	57.15	0.75	19
71189834	J-3016	1.875	47.625	2.25	57.15	1	25.4
72161792	K50X55X20H	1.968	50	2.165	55	0.787	20
831220M1	B-3216	2	50.8	2.375	60.325	1	25.4
1611064M1	B-328	2	50.8	2.375	60.325	0.5	12.7
7458-6	B-3424-DOH	2.125	54	2.5	63.5	1.5	38.1
1612725M1	B-348	2.125	54	2.5	63.5	0.5	12.7
3613762M1	K55X63X25A	2.165	55	2.48	63	0.984	25
1177126	G0117M7126C	2.2	55.88	2.33	59.182	1.17	29.718
1177127	G0117M7127C	2.22	56.388	2.35	59.69	1.56	39.624
30-3088847	J-3616	2.25	57.15	2.625	66.675	1	25.4
833193M1	B-3620	2.25	57.15	2.625	66.687	1.25	31.75
104565A	GR 36 N	2.25	57.15	3	76.2	1.5	38.1
3647577M1	3647577M1	2.4	61	2.55	64.77	1.16	29.464
834014M1	BA4412Z	2.75	69.85	3.125	79.375	0.75	19
831246M2	BA 4420 Z	2.75	69.85	3.125	79.387	1.25	31.75
831296M1	BA4416	2.75	69.85	3.125	79.387	1	25.4
70937217	SCE4412	2.79	70.866	3.13	79.502	0.74	18.796

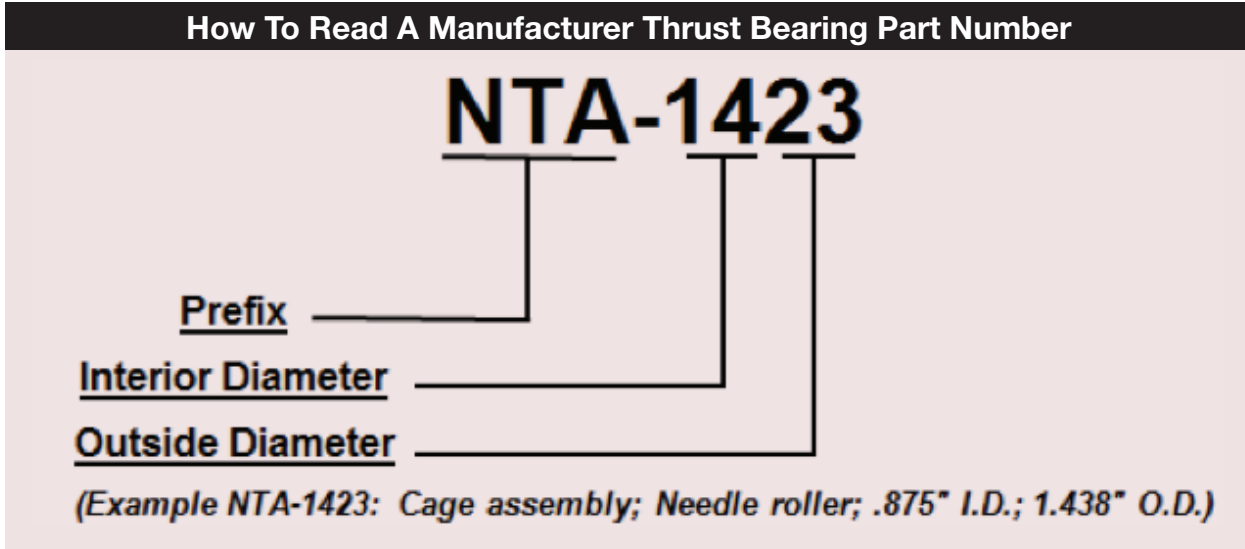
NEEDLE ROLLER



# Thrust Bearings

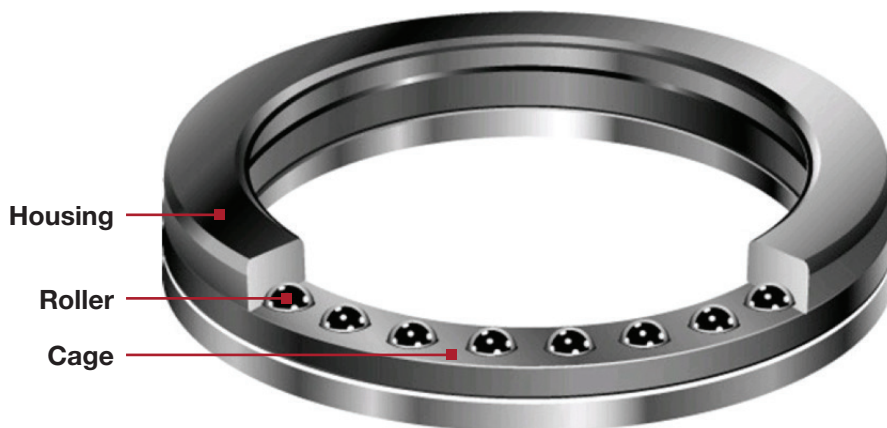
## Introduction

### How To Read A Manufacturer Thrust Bearing Part Number



### Thrust Bearing Number Explanation

Prefix	Interior Diameter	Outside Diameter
<b>Timken</b>	Defined in sixteenths:	Defined in sixteenths:
NT Cage assembly	12 = 12/16 = 0.75"	10 = 10/16 = 0.625"
A Needle roller	16 = 16/16 = 1"	23 = 23/16 = 1-7/16"
C Needle roller		
H Cylindrical roller		
TVB Grooved race ball bearing		
TVL Angular contact ball		
TP Cylindrical roller bearing		
TSR Spherical roller bearing		

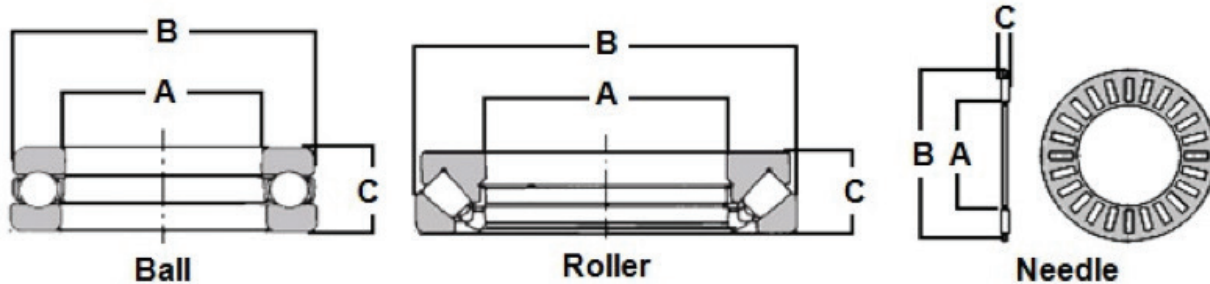


THRUST

# Thrust Bearings

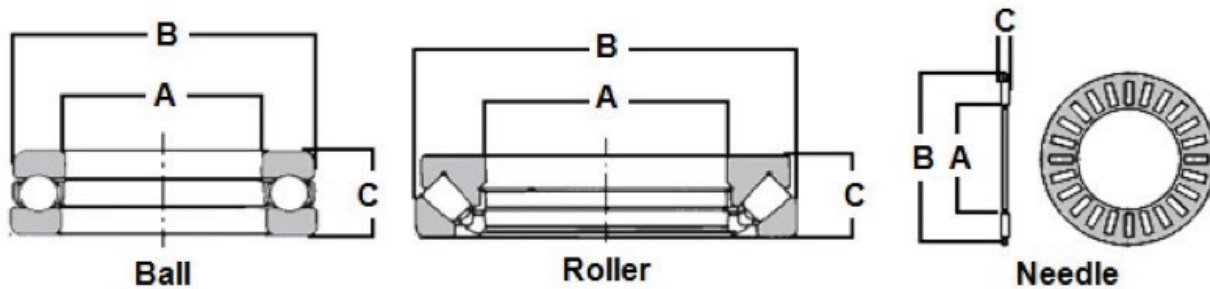
## Introduction

### Identifying The Advantages For Thrust Bearings



The above illustrations show three kinds of thrust bearings: Ball, Roller and Needle. Thrust bearings can only support applications with thrust (side-to-side) loads. Depending on the load capacity and application speed, the type of thrust bearing required will change. Needle and Roller Thrust bearings are able to support higher load capacities as compared to a Ball Thrust bearing.

### Understanding The Thrust Bearing Page Layout



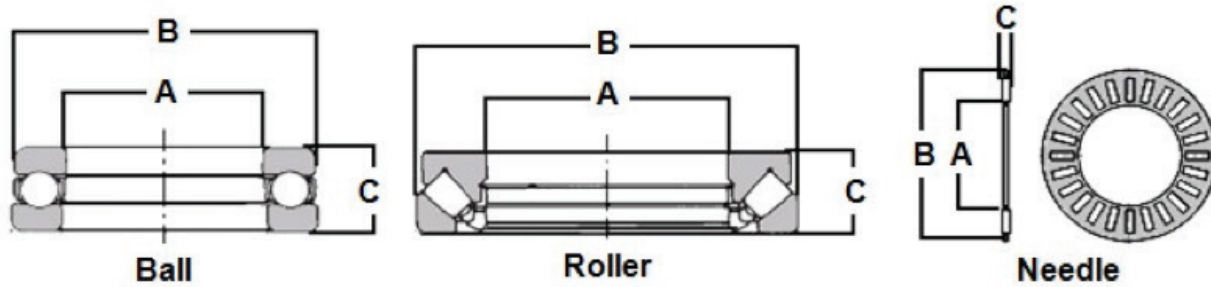
Thrust Bearings							
AGCO Part No.	Manufacturer Part No.	A Interior Diameter		B Outside Diameter		C Width	
		(in)	(mm)	(in)	(mm)	(in)	(mm)
831200M1	NTA-1423	0.882	22.40	1.427	36.25	0.078	2.00

The Illustrations at the beginning of each thrust bearing section helps identify a bearing in the absence of the Manufacturer's Part Number.

Column headings include: (A) Interior Diameter, (B) Outside Diameter and (C) Width.

# Thrust Bearings

Listed in Ascending Order by Interior Diameter



AGCO offers a wide range of bearings from a number of manufacturers.

These Manufacturer Part Numbers are listed for reference only. The part number will not guarantee a specific manufacturer.

Thrust Bearings							
AGCO Part No.	Manufacturer Part No.	A Interior Diameter		B Outside Diameter		C Width	
		(in)	(mm)	(in)	(mm)	(in)	(mm)
70208875	5948 NICE	0.446	11.328	1.093	27.781	1.031	26.193
11448	T63	0.638	16.205	1.635	41.529	0.51	12.954
195457M1	T-77W	0.76	19.304	1.63	41.402	0.5	12.7
831200M1	NTA-1423	0.882	22.402	1.427	36.245	0.078	2
832814M1	NTC-1427	0.882	22.402	1.677	42.595	0.078	2
LS5035	T88	0.89	22.606	1.89	48	0.59	15
831263M1	FA-17934	1	25.4	1.636	41.554	0.078	2
15699	E-9	1	25.4	1.954	49.631	0.63	16.002
390803X1	51105 (JB00)	1.03	26.16	1.64	41.66	0.43	10.92
1751676M1	A-2194	1.05	26.67	2.187	55.549	0.628	15.951
71192128	308GS1DS	1.18	30	2.44	62	1.06	26.924
71118123	T-27361	1.239	31.470	1.946	49.428	0.37	9.398
71166945	NTA-2233	1.382	35.102	2.052	52.120	0.078	2
10A9498	T139	1.39	35.306	2.31	58.674	0.63	16.002
6656237	F7ZZ-7548-AA	1.436	36.48	2.75	69.85	1.359	34.54
7710262	B24-L	1.5	38.1	2.437	61.912	1.31	33.274
196167M1	CBK 287A	1.51	38.354	2.598	66	0.635	16.129
KS5040	T149	1.51	38.354	2.59	65.786	0.77	19.558
72100765	40TRK39-4SB	1.574	40	2.519	64	0.629	16
3599263M1	3599263M1	1.614	41	2.559	65	0.093	2.362
744620M91	41425608	1.626	41.300	2.251	57.177	0.862	21.894
185379M1	FA-22886-R	1.702	43.230	2.84	72.136	0.25	6.35
71131262	A0899-2	1.75	44.45	3.12	79.248	0.744	18.897
74253527	A0899-3	1.75	44.45	3.05	77.47	0.75	19.05
832961M1	T177 TTC	1.77	45	2.874	73	0.787	20
100565A	A-2469-3	1.962	49.834	3.28	83.312	0.81	20.574
1696721M1	1696721M1	1.968	50	2.953	75	0.094	2.387
KS5022	A2469	1.97	50	3.28	83.312	0.81	20.574
3816850M1	3816850M1	2.01	51.054	2.74	69.596	0.068	1.727

# Thrust Bearings

Listed in Ascending Order by Interior Diameter

Thrust Bearings							
AGCO Part No.	Manufacturer Part No.	A Interior Diameter		B Outside Diameter		C Width	
		(in)	(mm)	(in)	(mm)	(in)	(mm)
71135013	T-199	2.01	51.054	2.94	74.676	0.63	16.002
31-1604330	51110	2.05	52	2.75	70	0.54	13.716
831788M1	A2256_31	2.069	52.552	3.5	88.9	0.84	21.336
70235079	A2256-1	2.069	52.552	3.5	88.9	0.83	21.082
70204829	A0801	2.081	52.857	3.385	86	0.807	20.497
30-3056295	206516N	2.14	54.356	3.5	88.9	0.811	20.599
72103232	55TMK804X	2.16	54.864	3.46	87.884	0.76	19.304
3702563M1	CT55B L1GUN	2.162	54.914	3.46	87.884	0.76	19.304
4383378	307418 BA	2.165	55	3.622	92	0.984	25
195175M1	TMA170000	2.188	55.57	1.256	31.9	0.615	15.63
1261539	EX10529	2.19	55.626	3.61	91.694	0.98	24.892
72160065	225518N	2.25	57.15	3.75	95.25	0.81	20.574
72505831	2256A (LB00)	2.25	57.15	3.741	95	0.755	19.177
72160033	A3803	2.25	57.15	3.72	94.5	0.82	20.828
10A8381	NTA-3648	2.252	57.200	2.99	75.946	0.078	2
103751A	NTA-3650	2.252	57.200	3.115	79.121	0.125	3.175
30-3056287	A-2526-11	2.26	57.404	3.75	95.25	0.81	20.574
842370M1	A3544	2.26	57.404	3.796	96.418	0.811	20.599
33-0052221	60TMK20	2.36	59.944	3.79	96.266	0.865	21.971
833081M1	A-2583-47	2.478	62.941	4.125	104.775	0.87	22.098
833085M2	A-2336-147	2.5	63.5	4.02	102.108	1.526	38.760
256179M1	A-3552	2.5	63.5	4.1	104.14	0.875	22.225
892862M3	CT1310 ARSEDCS23	2.5	63.5	3.936	100	0.835	21.209
168208A	NTH-4066	2.502	63.550	4.095	104	0.375	9.525
71173723	NTA-4052	2.507	63.677	3.24	82.296	0.078	2
3700527M1	CTS64SA	2.55	64.77	3.937	100	0.925	23.5
AS5022B	275933N	2.75	69.85	4.62	117.348	0.86	21.844
833452M1	NTA-4458	2.76	70.104	3.615	91.821	0.125	3.175
30-3056309	A3560-25	2.77	70.358	4.76	120.904	0.86	21.844
1613884M1	TC4860	3	76.2	3.74	94.996	0.07	1.778
71159478	NTA-5266	3.252	82.600	4.115	104.521	0.125	3.175
71161396	NTA-6074	3.76	95.504	4.61	117.094	0.125	3.175
4383379	307438BA	4.18	106.172	5.5	139.7	0.99	25.146

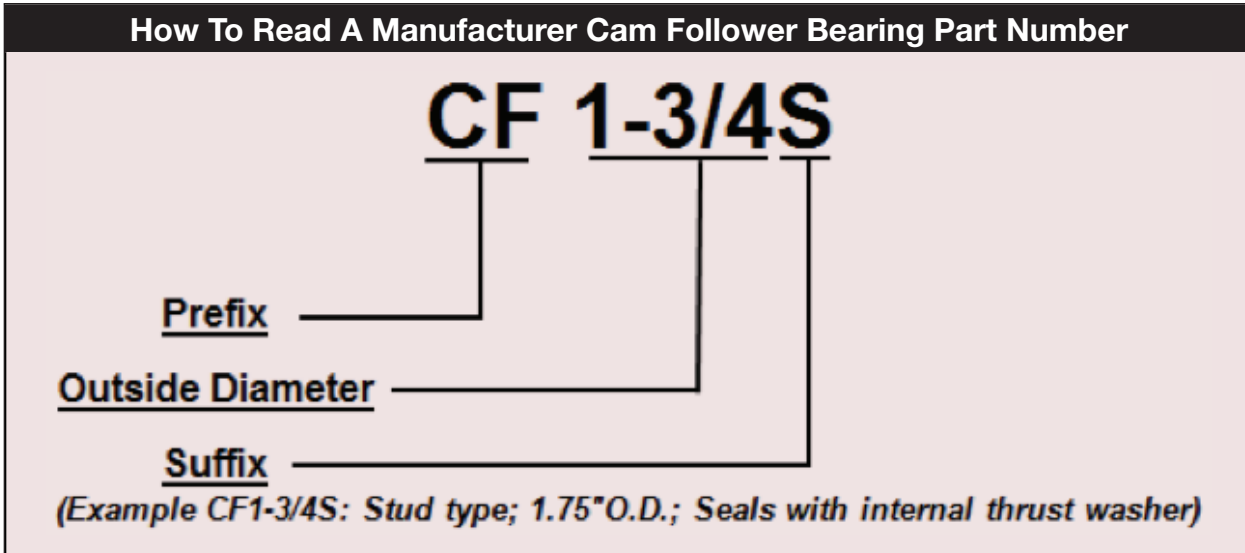
THRUST



# Cam Follower Bearings

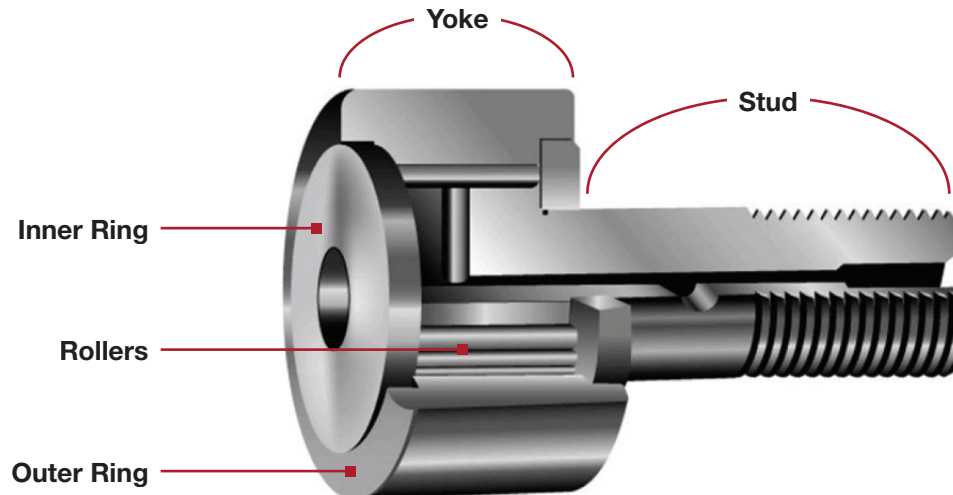
## Introduction

### How To Read A Manufacturer Cam Follower Bearing Part Number



### Cam Follower Bearing Number Explanation

Prefix	Outside Diameter	Suffix
<b>Timken</b> CR Stud type CF Stud type YCR Yoke type HR Heavy stud	Numbers define Outside Diameter in Inches	<b>Timken</b> <b>McGill</b> B Hex wrench socket C Crowned O.D S Seals with internal thrust washer E Eccentric stud (CR only)
<b>McGill</b> CF Stud type CYR Yoke type CFH Heavy stud		

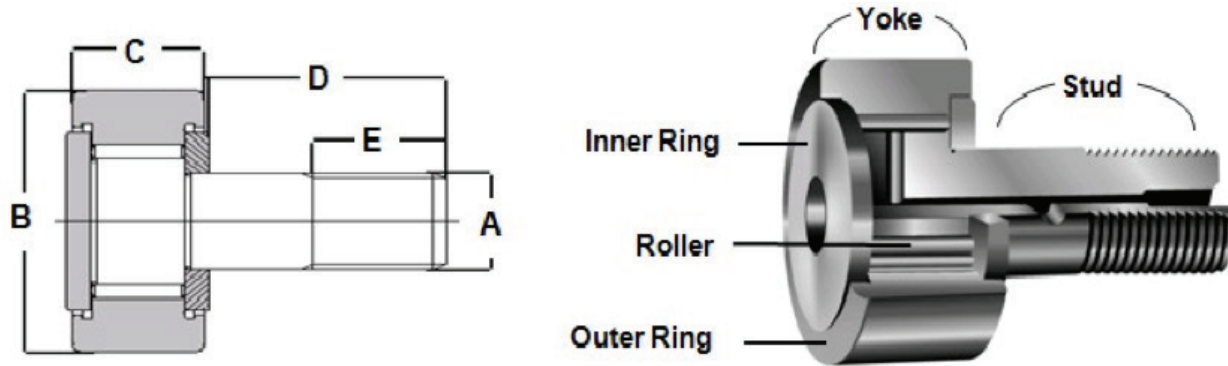




# Cam Follower Bearings

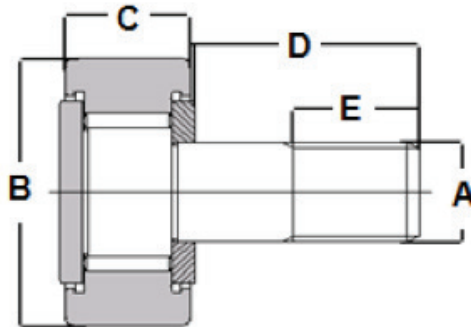
## Introduction

### Identifying The Difference Between Cam Follower Bearings



A Cam Follower bearing is commonly used on manure spreaders, balers, tub grinders and mower-conditioners. Unlike Ball and Roller designs, which use a rigid housing to support their circumference, a Cam Follower bearing features a special, heavier outer ring. This design, along with the internal construction, allows this bearing to withstand deformation from demanding applications.

### Understanding The Cam Follower Bearing Page Layout

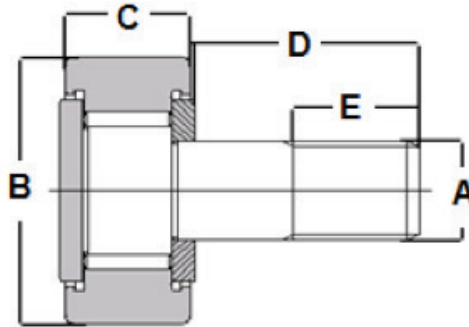


Cam Follower Bearings											
AGCO Part No.	Manufacturer Part No.	A Interior Diameter		B Outside Diameter		C Yoke Width		D Stud Width		E Thread Width	
		(in)	(mm)	(in)	(mm)	(in)	(mm)	(in)	(mm)	(in)	(mm)
70271515	CR-10	0.250	6.35	0.625	15.88	0.406	10.31	0.625	15.88	0.312	7.92

The Illustration at the beginning of each Cam Follower bearing section helps identify a bearing in the absence of the Manufacturer's Part Number.  
 Column headings include: (A) Interior Diameter, (B) Outside Diameter, (C) Yoke Width, (D) Stud Width and (E) Thread Width.

# Cam Follower Bearings

Listed in Ascending Order by Interior Diameter



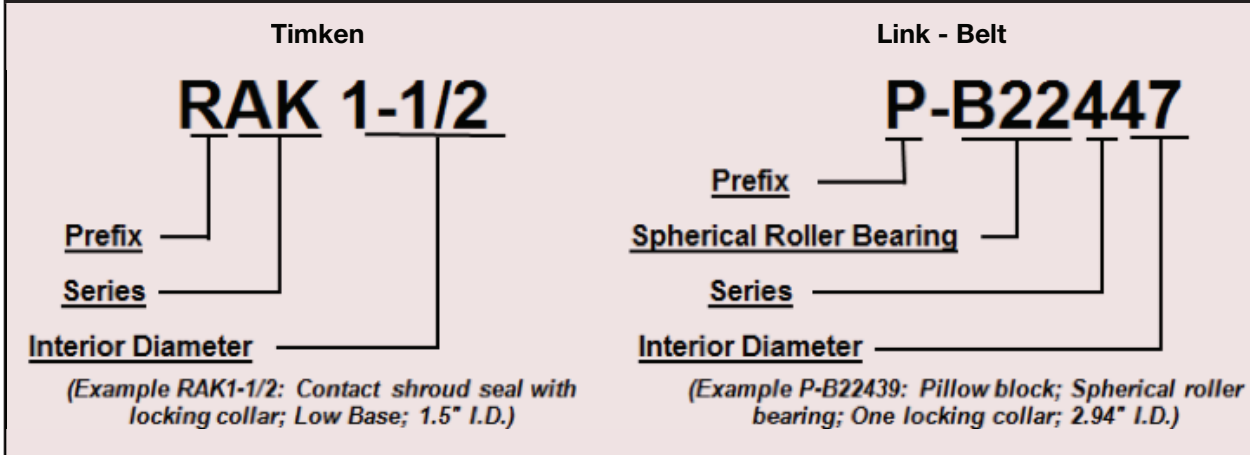
AGCO offers a wide range of bearings from a number of manufacturers.  
These Manufacturer Part Numbers are listed for reference only. The part number will not guarantee a specific manufacturer.

Cam Follower Bearings											
AGCO Part No.	Manufacturer Part No.	A Interior Diameter		B Outside Diameter		C Yoke Width		D Stud Width		E Thread Width	
		(in)	(mm)	(in)	(mm)	(in)	(mm)	(in)	(mm)	(in)	(mm)
70271515	CR-10	0.25	6.35	0.625	15.875	0.406	10.31	0.625	15.88	0.312	7.925
H202719C91	7031-6V	0.375	9.525	1.25	31.75	0.625	15.88	0.828	21	0.414	10.52
7714868	CYR-11/4-S	0.375	9.530	1.25	31.75	0.75	19.05	N/A	N/A	N/A	N/A
31-1825200	CF-1-S-56	0.438	11.125	1	25.4	0.625	15.88	0.734	18.64	N/A	N/A
8050866	CFL11/4SB	0.5	12.7	1.25	31.75	0.75	19.05	1.25	31.75	0.625	15.88
17323	CR-1-1/4-XC	0.5	12.7	1.25	31.75	0.75	19.05	1.25	31.75	0.7	17.78
700720050	DF0109LLPX1/L657#01	0.5	12.7	1.5	38.1	0.621	15.77	N/A	N/A	N/A	N/A
700705612	7811E	0.5	12.7	1.5	38.1	0.625	15.88	1.062	27	0.625	15.88
31-2551220	CCFH-1-S-1	0.625	15.875	1	25.4	0.625	15.88	0.734	18.64	N/A	N/A
710426	CRS-26	0.625	15.875	1.625	41.275	0.87	22.1	1.5	38.1	0.75	19.05
669533M1	7042	0.63	16.002	2.047	52	0.7	17.78	1.31	33.27	0.906	23
70541725	7890	0.74	18.796	1.85	47	0.55	14	1.32	33.53	0.97	24.64
843770M2	CFH1-1/4SB	0.75	19.05	1.25	31.75	0.75	19.05	1.25	31.75	0.625	15.88
700710526	CF13/4-S	0.75	19.05	1.75	44.45	1	25.4	1.75	44.45	0.875	22.23
1703792	72274VTE86	0.75	19.05	1.85	47	0.55	14	1.53	38.86	1.1	27.94
W509598E	8821	0.75	19.05	1.85	47	0.551	14	1.312	33.34	0.938	23.81
700736566	6901P	0.75	19.05	2.51	63.75	0.888	22.56	0.812	20.62	0.812	20.62
700711707	CFH13/4S	1	25.4	1.75	44.45	1	25.4	1.75	44.45	0.875	22.23
581318M91	7623	1.063	27	1.850	47	0.551	14	1.5	38.1	0.563	14.29
7713837	CFH2S	1.126	28.6	2	50.8	1.25	31.75	2	50.8	1	25.4
834163M1	CFE-2-1/4-S-1	1.188	30.163	2.25	57.15	1.25	31.75	1.724	43.79	0.875	22.23
831940M1	6977	1.235	31.369	2.047	52	0.7	17.78	1.371	34.82	1.063	27
700703946	CCFH21/2SB	1.25	31.75	2.5	63.5	1.5	38.1	2.25	57.15	1.125	28.58
6565139	CCFHL21/2SB1	1.25	31.75	2.5	63.5	1.5	38.1	2.25	57.15	1.125	28.58
8050874	MCGILL#PCR-3-1	1.25	31.75	3	76.2	1.812	46	2.25	57.15	1.125	28.58

# Housed Units

## Introduction

### How To Read A Manufacturer Housed Units Bearing Part Number



### Housed Units Bearing Number Explanation

#### Timken

Prefix	Series	Interior Diameter
<b>Timken</b> R Contact shroud seal with locking collar L Labyrinth seal with locking collar S Contact shroud seal, narrow inner ring, setscrew collar T Tri-Ply shroud seal with locking collar V Contact shroud seal, narrow inner ring, locking collar Y Contact shroud seal, wide inner ring, setscrew collar	<b>Timken</b> AK Low base AO Heavy base AS High base C Cylindrical cartridge CJ Four bolt CJT Two bolt	1/2" - 2-15/16" (15mm - 75mm)

#### Link-Belt

Prefix	Spherical Roller	Series	Suffix
<b>Timken</b> C Cartridge unit F Four bolt P Pillow block; standard P2 Pillow block; high back T Takeup unit E Expansion unit	Roller Bearings designed with an extended inner ring	<b>Link-Belt</b> 400 (one locking collar) 500 (two locking collars) 600 (adapter mounted)	<b>Link-Belt</b> F Four bolt J Labyrinth seal E Lip seal C Closed end
			<b>Interior Diameter</b> In sixteenths of an inch



HOUSED UNITS

# Housed Units

## Introduction

### Identifying The Advantages For Housed Units



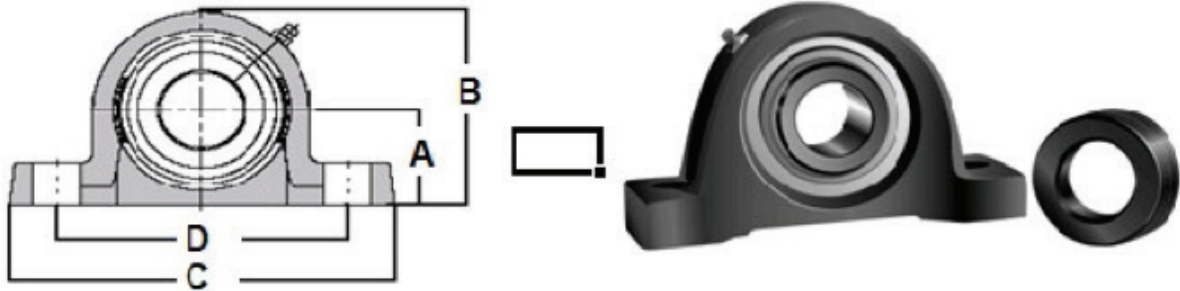
AGCO offers several types of housed units used in many agricultural applications. Pillow Block, Four Bolt, Three Bolt and Two Bolt housings are composed of cast iron for strength, rigidity and load support. The Housing Assembly part number includes the housing and bearing. Directly below the Housing Assembly Number is the Replacement Bearing Insert for each housing.

*Note: Although each bearing manufacturer follows ABMA (American Bearing Manufacturers Association) standards, it is not advisable to use a different Manufacturer's bearing in a housing.*

HOUSED UNITS

### Understanding The Housed Unit Page Layout

#### Pillow Block



#### Pillow Block Units

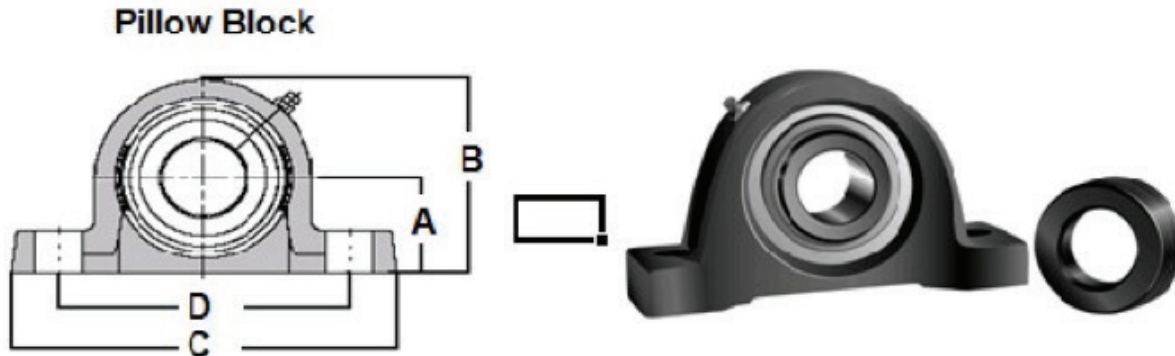
AGCO Part No.	Manufacturer Part No.	TYPE	SERIES	Interior Diameter		A Shaft Height		B Total Height		C Width		D Bolt Spacing		Bolt Size
				(in)	(mm)	(in)	(mm)	(in)	(mm)	(in)	(mm)			
AG607412	VAS-1	Asy.	52	1.00	25.40	1.44	36.51	2.81	71.40	5.50	139.70	4.13	104.80	0.375
70565094	YET 205 100	Insert												

The Illustrations at the beginning of each housed unit section are used to help identify a unit in the absence of the Manufacturer's Part Number. Column headings include: Type, Series, Interior Diameter, (A) Shaft Height, (B) Total Height, (C) Width, (D) Bolt Spacing and Bolt Size in inches.

# Housed Units

## Pillow Blocks / Cast Iron

Listed in Ascending Order by Housing Series



AGCO offers a wide range of bearings from a number of manufacturers.  
These Manufacturer Part Numbers are listed for reference only. The part number will not guarantee a specific manufacturer.

Pillow Block Units														
AGCO Part No.	Manufacturer Part No.	TYPE	SERIES	Interior Diameter		A Shaft Height		B Total Height		C Width		D Bolt Spacing		Bolt Size
				(in)	(mm)	(in)	(mm)	(in)	(mm)	(in)	(mm)	(in)	(mm)	
AG607412	VAS-1	Asy.	52	1.00	25.40	1.44	36.51	2.81	71.40	5.50	139.70	4.13	104.80	0.375
844095M1	YET 205 100	Insert												
70248385	SY1-1/4 TF	Asy.	62	1.3	31.75	1.69	42.88	3.3	84.15	6.25	158.8	5.25	133.35	0.5
71308984	YET 206-104	Insert												
7738-6	P3Y220N	Asy.	72	1.3	31.75	1.88	47.63	3.8	95.25	6.75	171.5	5	127	0.5
Y710434	YG220NL	Insert												
743632	SY 1.375 FM	Asy.	72	1.4	34.93	1.88	47.75	3.7	93.73	6.75	171.5	5.25	133.35	0.5
700708091	FH207-22-XO- AP	Insert												
7738-14	PL3W224U	Asy.	80	1.5	38.1	1.94	49.23	3.9	100	7.13	181	5.38	136.53	0.5
843636M1	GRA108RRB	Insert												
71368048	SY 1-1/2 FM	Asy.	80	1.5	38.1	1.94	49.21	3.9	100	6.88	174.6	4.94	125.43	0.5
843636M1	GRA108RRB	Insert												
AG516274	VAS-1 1/2	Asy.	80	1.5	38.1	1.94	49.21	3.9	100	7.06	179.4	5.38	136.53	0.5
843636M1	GRA108RRB	Insert												
N12732	RAK 1 1/2	Asy.	80	1.5	38.1	1.94	49.21	3.9	100	7.06	179.4	5.38	136.53	0.5
Z10970	A-RL208-108D1C3	Insert												
7494-5	P-B22428H	Asy.	85	1.8	40	2.13	53.98	4.4	111.1	7.38	187.3	5.19	131.78	0.5
7738-16	P3-Y228N	Asy.	85	1.8	44.45	2.13	53.98	4.2	106.4	7.38	187.3	5.63	142.88	0.5
831877M1	YG228NL	Insert												
7494-6	PE-B22439H	Asy.	110	2.4	62	2.75	69.85	5.5	139.7	9.25	235	6.81	173.05	0.63
7738-25	UELPL-2-1/4	Asy.	110	2.3	57.15	2.69	68.28	5.4	136.5	9.5	241.3	7.5	190.5	0.63
1A60065	BS221177	Asy.	110	2.4	62	2.75	69.85	5.5	139.7	9.25	235	7.13	180.98	0.63
AG610853	SY27/16TF	Asy.	110	2.4	62	2.69	68.28	5.4	138.1	9.5	241.3	7.06	179.4	0.63
AG059756	SYR27/16N118	Asy.	110	2.4	62	2.75	69.85	5.7	144.5	9.25	235	7.44	188.93	0.63
7494-7	P-B22447H	Asy.	130	2.9	75	3.25	82.55	6.4	163.5	10.4	265.1	7.81	198.45	0.75

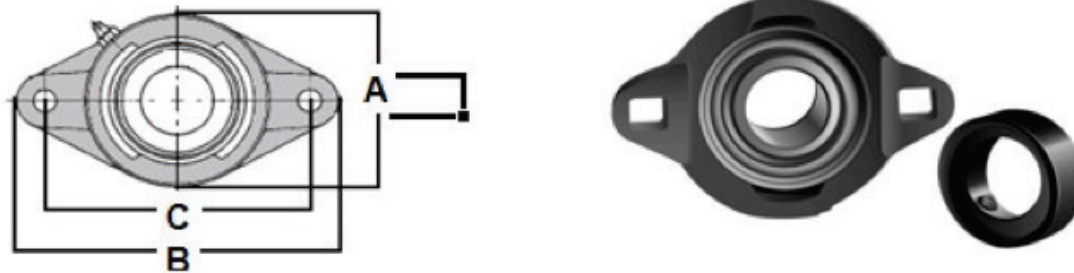
HOUSED UNITS

# Housed Units

## Two Bolt / Cast Iron

Listed in Ascending Order by Housing Series

Two Bolt



AGCO offers a wide range of bearings from a number of manufacturers.  
 These Manufacturer Part Numbers are listed for reference only. The part number will not guarantee a specific manufacturer.

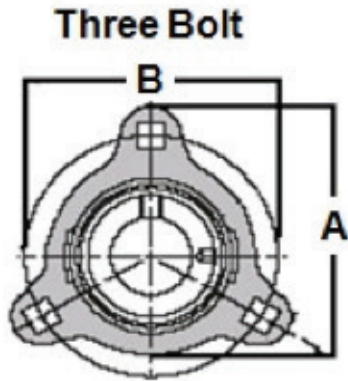
HOUSED UNITS

Two Bolt Units												
AGCO Part No.	Manufacturer Part No.	TYPE	SERIES	Interior Diameter		A Shaft Height		B Width		C Bolt Spacing		Bolt Size
				(in)	(mm)	(in)	(mm)	(in)	(mm)	(in)	(mm)	
700708582	VFTD1 1/8	Asy.	62	1.125	28.58	3.094	78.588	3.562	90.475	3.562	90.475	0.375
70590709	RA102RRB	Insert										
AG515958	UCFL207-20E-1 1/4"	Flange Bearing w/Set- Screws	72	1.25	31.75	3.531	89.693	6.343	161.13	5.125	130.18	.438
700719343	RFTD1 1/4	Asy.	72	1.25	31.75	3.5	88.9	4.812	122.2	3.937	100	0.375
71309117	YEL-207-104 2FW	Insert										
3787856M1	RCJT40	Asy.	80	1.575	40	4.125	104.78	6.75	171.45	5.565	143.6	0.5
036308P1	GE40KRRB	Insert										
2492063W91	UELFLU210-1.15/16	Asy.	90	1.938	49.21	4.563	115.9	7.469	189.71	6.188	157.18	0.625
22602X	G1115KRRB	Insert										
2492063W91	UELFLU210-1.15/16	Asy.	90	1.938	49.21	4.563	115.89	7.438	188.9	6.188	157.2	0.625
700748960	FLU210D1V50	Housing										
22602X	G1115KRRB	Insert										

# Housed Units

## Three Bolt / Cast Iron

Listed in Ascending Order by Housing Series



AGCO offers a wide range of bearings from a number of manufacturers.  
 These Manufacturer Part Numbers are listed for reference only. The part number will not guarantee a specific manufacturer.

Three Bolt Units										
AGCO Part No.	Manufacturer Part No.	TYPE	SERIES	Interior Diameter		A Width		B Bolt Spacing		Bolt Size
				(in)	(mm)	(in)	(mm)	(in)	(mm)	
714154	FRW222E	Asy.	72	1.375	34.925	4.813	122.25	3.938	100	0.375
700708091	FH207-22-AP	Insert								
7487-1	001NF-W220E	Asy.	72	1.25	31.75	4.813	122.25	3.938	100	0.375
Z51292	YET207-104W	Insert								
7427-4	001NFR-YG224N	Asy.	80	1.5	38.1	5.813	147.65	4.688	119.075	0.5
712059	YEL208-108	Insert								
700717917	RFDR1 3/4	Asy.	85	1.75	44.45	5.875	149.225	4.75	120.65	0.5
70539158	1112KRRB + COL	Insert								

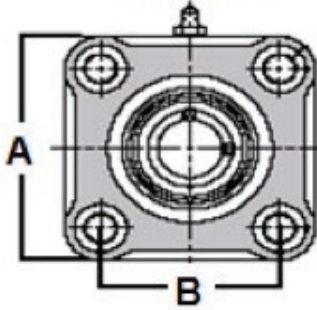
HOUSED UNITS

# Housed Units

## Four Bolt / Cast Iron

Listed in Ascending Order by Housing Series

Four Bolt



AGCO offers a wide range of bearings from a number of manufacturers.  
These Manufacturer Part Numbers are listed for reference only. The part number will not guarantee a specific manufacturer.

HOUSED UNITS

Four Bolt Units										
AGCO Part No.	Manufacturer Part No.	TYPE	SERIES	Interior Diameter		A Width		B Bolt Spacing		Bolt Size
				(in)	(mm)	(in)	(mm)	(in)	(mm)	
7739-6	TCJ1 3/8	Asy.	72	1.375	34.925	4.625	117.48	3.625	92.075	0.5
831877M1	YEL 209-112-2F	Insert								
HA24967	BY409941	Asy.	72	1.375	34.925	4.625	117.475	3.625	92.075	0.5
71378740	B/P 12904	Asy.	80	1.25	31.75	5.807	147.498	4.688	119.075	0.5
AG515946	FC4-25-1 1/2	Asy.	80	1.5	38.1	5.25	133	3.938	100	0.5
NX16030	FY508	Asy.	80	1.5	38.1	5.125	130.175	4	101.6	0.5
SNRT160500	HC208-24	Insert								
SNRT160714	HCFS208-24	Asy.	80	1.5	38.1	5	127	4	101.6	0.5
Z50468	FH208-24	Insert								
71197421	RFC1 3/4 L/C	Asy.	85	1.75	44.45	6.125	155.575	5.125	130.175	0.5
72527583	72527583 SPECIAL	Asy.	85	1.75	44.45	2.954	75	5	127	0.67
270823	RCJ1 15/16	Asy.	90	1.937	49.213	5.625	142.9	4.375	111.1	0.625
712307	HC207-22-AP	Insert								

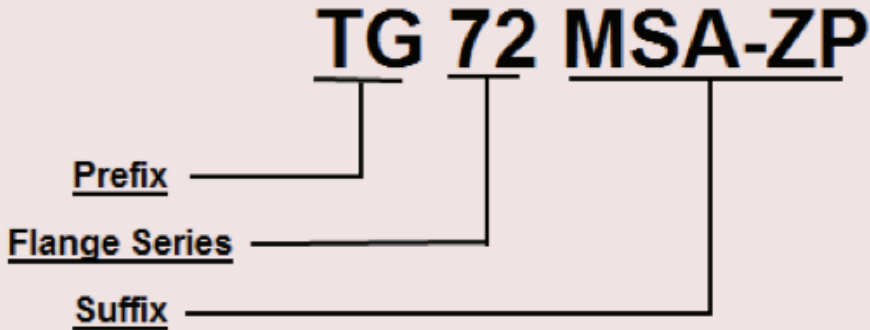




# Flangettes

## Introduction

### How To Read A Manufacturer Flangettes Part Number



*(Example TG72MSA-ZP: Torque rated; Grease zerk; 72mm O.D. bearing insert; Relube with fitting; Zinc plate with clear chromate)*

### Flangettes Number Explanation

Prefix	Flange Series	Suffix
T Torque rated	The Flange Series number refers to the outside diameter of the bearing that fits within the flangette. A bearing with a 72mm O.D. will fit the above flangette.	ZP Zinc plate with clear chromate
G Grease zerk		YZP Zinc plate with yellow dichromate
		MS Non-relube
		MSA Relube with fitting
		MSB Relube, mate flange to MSA
		MST 2 bolt
		MSTR 3 bolt triangular
		MS-S Non-relubricatable square
		MSA-S Relubricatable square with fitting
		MSB-S Relubricatable square, mate flange to MSA-S

#### Flange Series Additional Information

Flange Series	Bearing Outer Diameter		Carriage Bolt Size
	(in)	(mm)	(in)
40	1.57	40	1/4 x 3/4
47	1.85	47	5/16 x 3/4
52	2.05	52	5/16 x 3/4
62	2.44	62	3/8 x 3/4
72	2.83	72	3/8 x 3/4
80	3.15	80	1/2 x 3/4
85	3.35	85	1/2 x 3/4
90	3.54	90	1/2 x 3/4
100	3.94	100	1/2 x 3/4



**FLANGETTES**

# Flangettes

## Introduction

### Identifying the Advantages for Flangettes



AGCO offers a wide selection of Flangette assemblies designed to fit a variety of agricultural applications. Each Flangette assembly is a two-piece, pressed-steel assembly that allows a wide tolerance for mounting accuracy and rigidity. They are commonly used applications and are an economical alternative to a cast housing. Flangettes used in harsh weather conditions or chemical applications are recommended to be zinc plated with a yellow dichromate finish. The yellow dichromate finish has 2.6 times more resistance to red rust in harsh conditions when compared to the clear chromate.

### Understanding The Flangette Page Layout



FLANGETTES

#### Two Bolt Self-Aligning Flangettes

AGCO Part No.	Manufacturer Part No.	Flange Series	A Outside Diameter		B Bolt Spacing		Flangette Information (w/o Zerk : Zerk)
			(in)	(mm)	(in)	(mm)	
AG516341	40MS-ZP	40	3.130	79.50	2.500	63.50	w/o Zerk

The Illustrations at the beginning of each flangette section are used to help identify a unit in the absence of the Manufacturer's Part Number. The column headings include: Flange Series, Interior Diameter, (A) Outside Diameter, (B) Bolt Spacing and Flangette Information, with or without a grease zerk.

# Flangettes

## Two Bolt / Pressed Steel

Listed in Ascending Order by Flange Series



AGCO offers a wide range of bearings from a number of manufacturers.  
 These Manufacturer Part Numbers are listed for reference only. The part number will not guarantee a specific manufacturer.

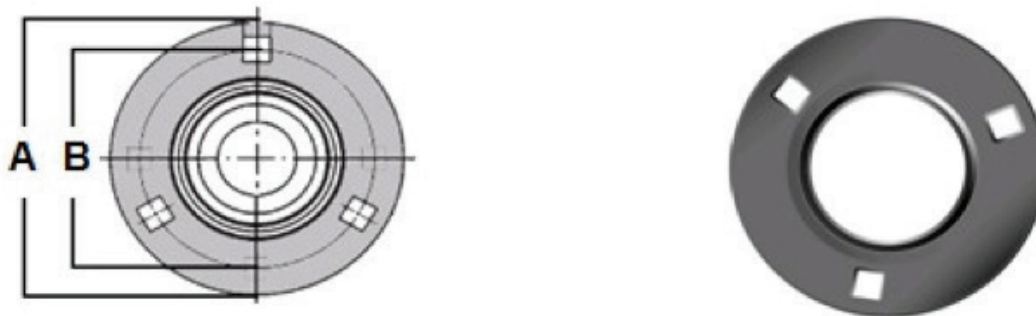
Two Bolt Self-Aligning Flangettes							
AGCO Part No.	Manufacturer Part No.	Flange Series	A Outside Diameter		B Bolt Spacing		Flangette Information (w/o Zerk : Zerk)
			(in)	(mm)	(in)	(mm)	
70592118	21FLMXZ48PP2	21	3.25	82.55	2.5	63.5	w/o Zerk : w/Bearing : 3/4" hx bore
70595363	21FLMXZ48PP2CA	21	3.25	82.55	2.5	63.5	w/o Zerk : w/Bearing : 3/4" hx bore
W247647B	21FLMXYZH48AP P2	21	3.25	82.55	2.5	63.5	w/o Zerk : w/Bearing : 3/4" hx bore
700108622	35MST	35	3.875	98.425	2.94	74.676	w/o Zerk : Squared edges
553-040	40MST2	40	3.187	81	2.5	63.5	w/o Zerk
AG516341	40MS-ZP	40	3.13	79.502	2.5	63.5	w/o Zerk
700715941	41FL64PP	41	3.75	95.25	3	76.2	w/o Zerk : w/Bearing : 1" rd bore
711952	47MST-ZP	47	3.562	90.475	2.812	71.425	w/o Zerk
700717515	T52MST-ZP	52	3.75	95.25	3	76.2	w/o Zerk
833766M1	52MST-ZP	52	4.75	120.65	4	101.6	w/o Zerk
831982M1	62M-2ZP	62	4.438	112.73	3.563	90.5	w/o Zerk
Y710293	62MST-ZP	62	4.437	112.7	3.562	90.475	w/o Zerk
833349M1	72 M 2	72	4.94	125.48	3.938	100	w/o Zerk

FLANGETTES

# Flangettes

## Three Bolt / Pressed Steel

Listed in Ascending Order by Flange Series



AGCO offers a wide range of bearings from a number of manufacturers.  
These Manufacturer Part Numbers are listed for reference only. The part number will not guarantee a specific manufacturer.

### Three Bolt Self-Aligning Flangettes

AGCO Part No.	Manufacturer Part No.	Flange Series	A Outside Diameter		B Bolt Spacing		Flangette Information (w/o Zerk : Zerk)
			(in)	(mm)	(in)	(mm)	
Z050393	4FL56PP	22	3.75	95.25	3	76.2	w/o ZERK, w/BRG 7/8" RD BORE
79027277	AELPF205-100W3	25	3.75	95.25	3	76.2	w/o Zerk : w/Bearing : 2-1/2" rd bore
441401M1	35MS	35	2.875	73	2.125	54	w/o Zerk
70530811	40MS-ZP	40	3.187	80.95	2.5	63.5	w/o Zerk
713800	47MS-ZP	47	3.562	90.475	2.812	71.425	w/o Zerk
22632X	47MM-3ZP	47	3.563	90.5	2.813	71.45	w/o Zerk
832933M1	52MM-3EZP	52	3.75	95.25	3	76.2	w/o Zerk
WZ277	52MM-3R(PLAIN)	52	3.75	95.25	3	76.2	w/o Zerk
72476313	52MS-2YZP	52	3.75	95.25	3	76.2	w/o ZERK
SN16439	TG62MSA-5-YZP	62	4.437	112.7	3.562	90.47	ZERK
Z50534	62MS-C1	62	4.438	112.72	3.562	90.47	w/o Zerk
71307583	G62MSB-3ZP	62	4.437	112.7	3.562	90.475	Zerk
71307584	G62MSA-6ZP	62	4.437	112.7	3.562	90.475	Zerk
834738M1	62MS	62	4.438	112.73	3.563	90.5	w/o Zerk
163733	72- Special	72	3.5	88.9	3.938	100	w/o Zerk
70593180	TG72MSA-2ZP	72	4.812	122.22	3.937	100	Zerk
70593181	TG72MSB-ZP	72	4.812	122.22	3.937	100	Zerk
71370130	72MS-ZP	72	4.811	122.2	3.937	100	w/o Zerk : Cut Out on edge
700710412	TG72MSA-13ZP	72	4.812	122.22	3.937	100	Zerk
700717509	72MS-2YZP	72	4.812	122.22	3.937	100	w/o Zerk
Z51417	72MS-C1	72	4.812	122.24	3.937	100.01	w/o Zerk
71126430	212555	80	5.125	130.18	4.135	105	w/o Zerk

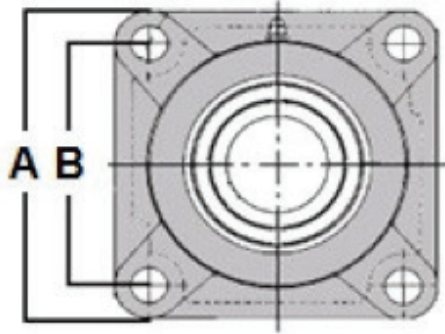
### Three Bolt Triangular

6105621	6105621	44	3.25	82.55	3	76.2	w/o Zerk : Rounded Points
6630376	47MM-3TZP	47	3	76.2	2.812	71.425	w/o Zerk
17264	T52MSTR-YZP	52	3.156	80.162	3	76.2	w/o Zerk
71133361	52MSTR-4YZP	52	3.156	80.162	3	76.2	w/o Zerk
71127313	T62MSTR-2YZP	62	3.625	92.075	3.562	90.475	w/o Zerk
71192243	T72MSTR-2YZP	72	4.187	106.35	3.937	100	w/o Zerk

# Flangettes

## Four Bolt / Pressed Steel

Listed in Ascending Order by Flange Series



AGCO offers a wide range of bearings from a number of manufacturers.  
These Manufacturer Part Numbers are listed for reference only. The part number will not guarantee a specific manufacturer.

Four Bolt Self-Aligning Flangettes							
AGCO Part No.	Manufacturer Part No.	Flange Series	A Outside Diameter		B Bolt Spacing		Flangette Information (w/o Zerk : Zerk)
			(in)	(mm)	(in)	(mm)	
<b>Four Bolt Round</b>							
834145M1	52MS-8ZP	52	3.75	95.25	3.125	79.375	Special
290237	G80MSB-6YZP	80	5.812	147.62	4.687	119.05	Zerk : Two sides are trimmed
70586145	80MSA	80	5.75	146.05	5.25	133.35	w/o Zerk
W238482B	80MM-4GRLZ	80	5.813	147.65	4.688	119.08	Zerk
W238483B	80MM-4GPR	80	5.813	147.65	4.688	119.08	Zerk
Z50575	80MS	80	5.812	147.64	4.688	119.06	w/o Zerk
EP6577	85MM-4GZPLZ	85	5.875	149.23	4.75	120.65	Zerk
EP6578	G85MSB-YZP	85	5.875	149.23	4.75	120.65	Zerk
700721325	G90MSA-YZP	90	6.125	155.58	5	127	Zerk
700721326	G90MSB-YZP	90	6.125	155.58	5	127	Zerk
713958	90MS-YZP	90	6.125	155.58	5	127	w/o ZERK
714360	100MS-ZP	100	6.562	166.67	5.438	138.13	w/o Zerk
70583924	G100MSB-ZP	100	6.562	166.67	5.437	138.1	Zerk
70583925	G100MSA-ZZP	100	6.562	166.67	5.437	138.1	Zerk
<b>Four Bolt Square</b>							
17789	T80MS-SYZP	80	4.75	120.65	4.687	119.05	w/o Zerk
17819	T80MS-S4YZP	80	4.75	120.65	4.687	119.05	w/o Zerk
70569556	80MM	80	4.92	125	3.75	95.25	w/o Zerk
70586144	G80MSA	80	4.92	125	3.75	95.25	Zerk
700711918	T80MS-S2ZP	80	4.75	120.65	4.687	119.05	w/o Zerk
AG510149	MB 2303PL	80	4.625	117.48	4	101.6	w/o Zerk
71130258	T85MS-SYZP	85	4.75	120.65	4.75	120.65	w/o Zerk
664837M91	G85MSA-S7	85	5.25	133.35	5	127	Zerk
842304M1	85MS-S6	85	5.25	133.35	5	127	w/o Zerk
664943M2	100MSB-S5	100	6	152.4	5.438	138.13	w/o Zerk
664944M2	100MSB-S6	100	6	152.4	5.438	138.13	Zerk

FLANGETTES

# Flangettes

## Six & Eight Bolt / Pressed Steel

Listed in Ascending Order by Flange Series



AGCO offers a wide range of bearings from a number of manufacturers.

These Manufacturer Part Numbers are listed for reference only. The part number will not guarantee a specific manufacturer.

### Six & Eight Bolt Self-Aligning Flangettes

AGCO Part No.	Manufacturer Part No.	Flange Series	A Outside Diameter		B Bolt Spacing		Flangette Information (w/o Zerk : Zerk)
			(in)	(mm)	(in)	(mm)	
<b>Six Bolt Round</b>							
71369864	62MS-19YZP	62	4.437	112.7	3.562	90.475	w/o Zerk
71370634	72MS-15YZP	72	4.812	122.22	3.937	100	w/o Zerk
712612B	72MS-6	72	4.81	122.17	3.937	100	w/o Zerk
Y711440	G72MSB-5YZP	72	4.812	122.22	3.937	100	Zerk
Y712620	G72MSA-5YZP	72	4.812	122.22	3.937	100	Zerk
<b>Eight Bolt Square</b>							
AG523209	S20056A	90	6.120	155.45	4.875	123.83	w/o Zerk
700703236	HT90MS-4ZP	90	6.125	155.58	5.000	127.00	w/o Zerk

### Clipped Edge Self-Aligning Flangettes

<b>Three Bolt Round</b>							
163733	72- Special	72	3.500	88.90	3.938	100.00	w/o Zerk
71126430	212555	80	5.125	130.18	4.135	105.00	w/o Zerk
<b>Four Bolt Round</b>							
842453M1	72MM-3ZP	72	5.813	147.65	4.688	119.08	w/o Zerk
428896	80	80	5.812	147.64	4.688	119.06	w/o Zerk
831781M1	80MM-4 ZP	80	5.813	147.65	4.688	119.08	w/o Zerk



# Interchange Data

Expand your service capabilities with AGCO Bearings



AGCO relies on several of the industry's leading bearing manufacturers to supply a wide selection of bearings that is used throughout AGCO's complete line of equipment. Each manufacturer uses a different part number series to describe the bearing type along with its features. Interchange Data shows the relationship between these part numbers. This information will help expand your sale into other markets while improving your customer satisfaction.

INTERCHANGE DATA

# Interchange Data

## Ball Bearings

Radial ball bearings can differ from one manufacturer to another, or they can also be functionally the same.  
This chart will help you understand how different ball bearing series are related.

Radial Ball Bearings Series								
NTN	Barden	BCA	Timken	FAG	MRC	NDH	NSK	SKF
634	34K	34	34K	634	34	34	R4B	
635	35K	35	35K	635	35	35	R5B	
626	36K	36	36K	626	36	36	R6B	
627	37K	37	37K	627	37	37	R7	
608	38K	38	38K	608	38	38	R8	
629	39K	39	39K	629	39	39	R9	
6000	100K	100	9100K	6000	100KS	3L00	6000	
6200	200	200	200K	6200	200S	3200	6200	
6300	-	300	300K	6300	300S	3300	6300	
BL200	-	1200	200W	200	200M	1200	200	
BL300	-	1300	300W	300	300M	1300	300	
8000	-	8000	30KL	8000	30FS	8000	-	-
87000	-	87000	30KLD	87000	30FSF	87000	-	-
88000	-	88000	30KLL	88000	30FFS	88000	-	-
8500	-	8500	200KL	8500	200FS	8500	-	-
87500	-	87500	200KLD	87500	200FSF	87500	-	-
88500	-	88500	200KLL	88500	200FFS	88500	-	-
63200	9200	-	W200PP	S3500	200SFFC	-	-	462200
63300	9300	-	W300PP	S3600	300SFFC	-	-	462300
6900	-	-	9300K	61900	1900S	3LL00	6900	61900
R2	-	-	33K3	R2	R-2	R2	R2	-
RA2	SR2A	-	33K4	RA2	R-2A	R2A	R2A	EE-0
R3	SR3K	-	33K5	R3	R-3	R3	R3	EE-1
RA3Z	SR3S	-	33KD5	R3-Z	R-3-FM	7R3	R3Z	-
R188	SR188K	-	-	-	-	-	R188	-
EE2	SR4A	-	S1K	R4A	R-4A-4	R4A	EE2	EE-2
EE3	SR6K	-	S3K	R6	R-6	R6	EE3	EE-3
R4	SR4K	R4SS	S1K7	R4	R-4	R4	R4	-
RA4Z	SR4AS	-	S1KD	R4-A-Z	R-4-AF	7R4A	R4Z	-
R6Z	SR6S	R6SS	S3KD	R6-Z	R-6-F	7R6	R6Z	-
R8Z	SR8S	R8SS	S5KD	R8-Z	R-8-F	7R8	R8Z	-
R10Z	SR10S	R10S	S7KD	R10-Z	R-10-F	7R10	R10Z	-
R12Z	-	R12S	S8KD	R12-Z	R-12-F	7R12	R12Z	-
R14Z	-	R14S	-	R14-Z	R-14-F	7R14	R14Z	-
R16Z	-	R16S	-	R16-Z	R-16-F	7R16	R16Z	-
R18Z	-	-	-	R18-Z	R-18-F	7R18	R18Z	-
R20Z	-	-	-	R20-Z	-	7R20	R20Z	-



# Interchange Data

## Ball Bearings

Angular and Self-Aligning ball bearings can differ from one manufacturer to another, or they can be functionally the same. This chart will help you understand how different series are related.

Angular and Self-Aligning Ball Bearings Series								
NTN	Barden	BCA	Timken	FAG	MRC	NDH	NSK	SKF
7000	2100H	-	7100PW	7000	7100KR	0L00	7000	7100
7200	2200H	7200	7200PW	7200	7200	20200	7200	7200
7300	2300H	7300	7300PW	7300	7300	20300	7300	7300
3200	-	5200	5200	3200	5200	5200	-	5200
5200	-	-	-	-	-	-	5200	-
3300	-	5300	5300	3300	5300	5300	-	5300
5300	-	-	-	-	-	-	5300	-
1200	-	-	L200	1200	-	2500	1200	1200
2200	-	-	L6200	2200	-	-	2200	2200
1300	-	-	L300	1300	-	2600	1300	1300
2300	-	-	L6300	2300	-	-	2300	2300

This listing shows the popular Hex Bore bearings that are offered from the different manufacturer.

Hex Bore Bearings				
AGCO Part No.	NTN Part No.	Timken Part No.	NDH Part No.	BCA Part No.
842696M1	1AH05-7/8	205KRR2	-	HPC014GP
31-2475140	2AH05-7/8	205KRRB2	-	HPS014GP
842704M1	2AH06-1	206KRRB6	88506H	HPS100GP
71197194	2AH07-1.1/8	207KRRB9	-	HPS102GP
70575883	2AH08-1.1/4V2	W208PPB16	-	-

Manufacturers use alpha-numeric suffixes to identify different ball bearing features. This listing showshow the same feature can be referred to by different suffixes.

Seals, Shields and Snap Rings					
Manufacturer	Single Shield	Double Shield	Double Seal	Single Shield & Seal	Snap Ring
SKF Suffix	Z	2Z	2RS	RSZ	NR
NTN Suffix	Z	ZZ	LLB or LLU	LBZ or LUZ	NR
NSK Suffix	Z	ZZ	W or DDU	VZ or DUZ	NR
NDH Suffix	7	77	99	97	4
MRC Suffix	F	FF	ZZ	ZF	G
FAG Suffix	Z	2Z	2RS	RSZ	NR
Timken Suffix	D	DD	PP	PD	G
BCA Suffix	S	SS	DD	DS	L
Barden Suffix	S	SS	FF	-	-

# Interchange Data

## Disc Harrow Bearings

*These are the industry's top-selling Disc Harrow Bearings Part Numbers.  
Use this as a quick guide to find the AGCO Part No. for these popular Disc Harrow Bearings.*

Disc Harrow Bearings				
AGCO Part No.	Timken Part No.	NTN Part No.	BCA Part No.	NDH Part No.
552-204	W208PPB13	1AS08-7/8	DS208TT13	AS4508FF
1905671M1	W208PPB11	4AS08-7/8	DS208TT11	AS4508FC
834367M1	W208PPB6	1AS08-1	DS208TT6	AS4508BK
W20H5836	GW208PPB6	1AS08-1D1	DS208TTR6	RAS4508AE
SN24A-5301	W208PPB5	1AS08-1.1/8	DS208TT5	AS4508BJ
W238481B	GW208PPB8	2AS08-1.1/8D1	DS208TTR8	RAS4508EF
447899M1	W208PPB12	4AS08-1.1/8	DS208TT12B	AS4508BC
1905667M1	GW208PPB5	1AS08-1.5/32D1	DS208TTR5	-
842303M1	W209PPB5	2AS09-1.1/4	DS209TT5	AS4509A
832540M1	W211PPB3	3AS11-1.1/2	DS211TT3	AS4511BE
70583939	GW211PPB3	3AS11-1.1/2D1	DS211TTR3	RAS4511BE
1905680M1	W211PPB6	4AS11-1.1/2	DS11TT6	AS4511AC
1905665M1	W208PP5	5AS08-1.1/8	DC208TT5	AS5408BH
1905669M1	W208PP8	6AS08-1.1/8	DC208TT8	AS4508BD
1905677M1	GW210PP4	7AS10-1.1/8D1	DC210TTR4	RAS4510B
70406677	W211PP5	6AS11-1.1/2V1	DC211TT5	AS4511AE
1905678M1	W211PP3	7AS11-1.1/2	DC211TT3	AS4511BD
1905679M1	GW211PP3	7AS11-1.1/2D1	DC211TTR3	RAS4511BD
W237092B	W208PPB7	1AC08-1.3/16	DS208TT7	-
1905664M1	W208PPB2	2AC08-1.1/2	DS208TT2A	-
8050056	GW209PPB11	1AC09D1V1	DS209TTR10	-
31-0072	W209PPB2	3AC09	DS209TT2	AS4509BE
1905682M1	GW209PPB2	3AC09D1	DS209TTR2	RAS4509BE
1905673M1	W209PPB4	3AC09-1.1/2	DS209TT4	AS4509BD
EP6576	GW209PPB4	3AC09-1.1/2D1	DS209TTR4	RAS4509BD
831960M3	W210PPB2	3AC10-1.15/16	DS210TT2	-
E10771	GW210PPB2	3AC10-1.15/16D1	DS210TTR2	-
1905681M1	GW211PPB9	1AC11-2.3/16D1V1	DS211TTR9	-
1905683M1	GW211PPB2	3AC11-2.3/16D1	DS211TTR2	-
WZ548	RM1115K	5AC10-1.15/16V1	DC210	3210B
1905676M1	W210PP2	7AC10-1.15/16	DC210TT2	-

# Interchange Data

## Roller Bearings

Each Roller Bearing manufacturer uses a different alphanumeric part number to describe the series of each roller bearing. These charts will help you understand how different series are related.

Cylindrical Roller Bearing Series							
NTN	Bower	FAG	NDH	NSK	Rollway	SKF	Timken
NU1000	-	NU1000	A1000WB	NU1000	-	NU1000	-
NU200	MA1200EL	NU200	A1200WB	NU200	MUC200	NU200	000RU02
NJ200	MR1200EL	NJ200	R1200WB	NJ200	MUL200	NJ200	000RJ02
NH200	-	-	PR1200WB	NH200	MR200	NH200	-
NUP200	MSN1200EX	NUP200	-	NUP200	MU200	NUP200	000RT02
N200	MU1200CL	N200	BU1200Z	N200	MCS200	N200	000RN02
NF200	MU1200DL	NF200	BU1200L	NF200	ML200	NF200	000RF02
NU2200	-	NU2200	-	NU2200	-	NU2200	-
NU300	MA1300EL	NU300	A1300WB	NU300	MUC300	NU300	000RU03
NU2300	-	NU2300	-	NU2300	-	NU2300	-
NN3000	-	NN3000	-	NN3000	-	NN3000	-

Spherical Roller Bearings Series					
NTN	FAG	Link-Belt	NSK	SKF	Timken
23900	23900	-	23900	23900	23900
23000	23000	23000LB	23000	23000	23000
24000	24000	-	24000	24000	24000
23100	23100	23100LB	23100	23100	23100
24100	24100	-	24100	24100	24100
22200	22200	22200LB	22200	22200	22200
23200	23200	23200LB	23200	23200	23200
21300	21300	-	21300	21300	21300
22300	22300	22300LB	22300	22300	22300
29300	29300	-	29300	29300	29300
29400	29400	-	29400	29400	29400

# Interchange Data

## Housed Units

Each Housed Unit manufacturer uses a different alphanumeric part number to describe the series.  
These charts will help you understand how different series are related.

Mounted Units Series							
Timken	Hub-City	Dodge	NTN	NSK	Link-Belt	Sealmaster	SKF
RASC	PB251	SC	UCP	UCP	P3-U	NP	SY
-	PB250	SCB	UCPL	-	PL3-U	S-500M	-
RASC	PB221	SX	UELPL	EWP	P3-Y	-	-
RAK	PB220	SXB	UELPL	-	PL3-Y	-	SYH-X
RAKH	PB350	SCM	UCPX	-	-	MP	-
-	-	SL	ASPP	UBPP	-	SSP	-
-	-	-	ASRPP	UBPPR	-	LRP	-
PB	-	SLX	AELPP	ENPP	-	-	SP
RPB	-	-	AELRPP	-	-	-	SRP
RCJC	FB250	SC	UCF	UCF	F3-U	SF	FY
RCJTC	FB260	SC	UCFL	UCFL	FX3-U	SFT	-
RCJ	FB220	SX	UELFU	-	F3-Y	-	FY-X
RCJT	FB230	SX	UELFLU	-	FX3-Y	-	-
RCJO	FB350	SCM	UCFX	-	-	MSF	-
-	-	SCM	UCFLX	-	-	MSFT	-
FLCT	-	-	AELFD	-	-	-	-
-	-	SL	ASPF	UBPF	-	SSF	-
-	-	SL	ASPFL	UBPFL	-	SSFT	-
RA	-	SLX	AELPF	ENPF	-	-	FP
RAT	-	SLX	AELPFL	ENPFL	-	-	FTP
-	B100	-	AS	UB	-	L	-
RA-NPPB	B200	-	AEL	EN	W200U	-	478200
GC-KRRB	B250	-	UC	US	UG200NL	2-000	479200
G-KRRB	B220	-	UEL	EW	YG200N	-	477200
-	B350	-	UCX	-	-	3-000	-
-	-	-	ASS	-	-	SL	-
RA-NPP	-	-	AELS	-	WB200U	-	-
GC-KRRG	-	-	UCS	UR	UBG200NL	ER	-
G-KRR	-	-	UELS	-	YGB200N	-	-

# Interchange Data

## Housed Units

Mounted Units Series							
Timken	Hub-City	Dodge	NTN	NSK	Link-Belt	Sealmaster	SKF
GC-KRRG	-	-	UCS	UR	UBG200NL	ER	-
G-KRR	-	-	UELS	-	YGB200N	-	-

SAF and SAFS Pillow Block Series			
NTN	Link-Belt	SKF	Timken
SAF22500	P-LB6800(F)H	SAF22500	SAF22500A
SAF22600	P-LB6900(F)H	SAF22600	SAF22600A
SAF22200	P-LB7800(F)H	SAF22200	SAF22200
SAF22300	P-LB7900(F)H	SAF22300	SAF22300
SAF22500B6	P-LB6800FH	FSAF22500	FSAF22500A
SAFS22500	PK-LB6800FH	SAFS22500	SAFS22500A
SAFS22200	PK-LB7800FH	SAFS22200	SAFS22200



# Index

Listed in Ascending Order by AGCO Part Number

AGCO Part No.	Manufacturer Part No.	Bearing Type	Page No.
10033	RA104RRB L/C	Wide Inner Ring	25
10473	6203LLUC4/5C	Ball	14
11300	25581	Cones	58
11448	T63	Thrust	76
11543	YG220E3L1	Wide Inner Ring	26
12007	1014KPPB3 L/C	Wide Inner Ring	25
12349	K85624	Cups	56
12705	YEL 211-203	Wide Inner Ring	27
12901	1100KRR C1 L/C	Wide Inner Ring	24
15192	5210 ZZ	Ball	18
15196	JTT1414	Needle Roller	71
15485	MH-20201	Needle Roller	72
15611	28921	Cups	48, 59
15612	28995	Cones	42, 59
15699	E-9	Thrust	76
15871	LM29700LA 902A1	Cones	42
15871	LM29700LA902A1	Cones	59
17264	T52MSTR-YZP	Flangettes	90
17323	CR-1-1/4-XC	Cam Follower	80
17390	30306JR	Tapered Roller	66
17522	6210-2RS-C3	Ball	18
17637	207KRR PRB	Ball	20
17789	T80MS-SYZP	Flangettes	91
17798	TMB205LLUC3/L014	Ball	15
17819	T80MS-S4YZP	Flangettes	91
50112	7100	Cones	40, 56
50377	CS3574X6	Ball	13
50807	1012KRRB + COL	Wide Inner Ring	25
51805	07000LA 902A1	Tapered Roller	66
51813	RA106RR + COL	Wide Inner Ring	24
105794	YHC 207 1042LS8WWT357	Wide Inner Ring	25
106823	207KRRB12SPL	Ball	21
163733	72- Special	Flangettes	90, 92
204257	2790	Cones	39, 54
211964	6022	Ball	19
270823	RCJ1 15/16	Housed Units	86
290237	G80MSB-6YZP	Flangettes	91
428896	80	Flangettes	92
526253	6004 C3	Ball	14
527263	6204	Ball	15
528116	TMB009LLUC3/5C	Ball	17
528393	TMB005LLUC3/5C	Ball	15
707636	6209NR	Ball	18
710210	YG216NL (YG216N- W216-5)	Wide Inner Ring	26
710426	CRS-26	Cam Follower	80
710673	203KRR5	Ball	13
710871	RA104RR L/C	Wide Inner Ring	24
711044	LM11900LA 902A1	Cones	40
711044	LM11900LA902A1	Cones	56
711242	LM67010	Cups	49, 61
711507	LM67048	Cones	43, 61
711630	YET 207-107W	Wide Inner Ring	26
711952	47MST-ZP	Flangettes	89
712026	16137	Cones	41, 57
712059	YEL 208-108	Wide Inner Ring	26
712059	YEL208-108	Housed Units	85
712158	RA20ORRB + COL	Wide Inner Ring	26
712208	25821	Cups	48, 58
712307	HC207-22-AP	Housed Units	86
712307	HC207-22-XO-AP	Wide Inner Ring	26
712539	N108KRRB + COL	Wide Inner Ring	26

AGCO Part No.	Manufacturer Part No.	Bearing Type	Page No.
712604	Z9504-2RSTFP-C3	Ball	14
712943	RA115RRB2 + COL	Wide Inner Ring	26
713156	28680	Cones	42, 59
713172	206KRRB6	Ball	20
713412	27880	Cones	42, 59
713586	25878	Cones	42, 58
713727	HJ-223020	Needle Roller	73
713800	47MS-ZP	Flangettes	90
713834	SBX07A42LLMC3Q1	Ball	20
713958	90MS-YZP	Flangettes	91
714154	FRW222E	Housed Units	85
714329	UG232NL	Wide Inner Ring	27
714360	100MS-ZP	Flangettes	91
743632	SY 1.375 FM	Pillow Blocks	83
800334	2690	Cones	39, 54
800367	27820	Cups	48, 59
808345	55437	Cups	49, 61
854003	DAC1640442RSL	Ball	14
981095	JLM813010/JLM813049	Tapered Roller	68
982080	383A	Cups	46, 53
982092	389A	Cones	38, 53
982101	387/382	Tapered Roller	68
982384	750A	Cones	39, 54
982602	3339	Cups	47, 55
982603	3379	Cones	39, 55
982629	3579	Cones	40, 55
982754	5735	Cups	47, 56
982755	5760	Cones	40, 56
983079	18620	Cups	48, 57
983080	18685	Cones	41, 57
983081	18690	Cones	41, 57
983085	18720	Cups	48, 57
983088	18790	Cones	41, 57
983119	22721	Cups	48, 58
983120	22778	Cones	41, 58
983367	35176	Cones	43, 60
983368	35326	Cups	49, 60
983522	47620A	Cups	49, 60
983527	47681	Cones	43, 60
983530	47687	Cones	43, 61
984151	HH506311/HH5063	Tapered Roller	67
984264	H715311A	Cups	51, 64
984323	HM803111/HM803149	Tapered Roller	67
984335	HM804849	Cones	45, 64
1101137	31307A	Tapered Roller	66
1101386	30310A	Tapered Roller	67
1101409	6008 C3	Ball	17
1101597	32011 X/Q	Tapered Roller	67
1101814	NJ307E.TVP2.C3	Radial Roller	34
1101901	32015JR	Tapered Roller	68
1101909	32209 J2/Q	Tapered Roller	67
1104517	4T-33206	Tapered Roller	66
1108994	6014 C3	Ball	19
1109002	6018	Ball	19
1109045	6205/C3	Ball	15
1109048	6205-Z/C3	Ball	15
1109055	6206 2RS C3 Z14	Ball	16
1109058	6207.C3.J22R	Ball	16
1109073	6210C3.J22R	Ball	18
1109136	6309N/C3	Ball	17
1109182	16010 C3	Ball	18

# Index

Listed in Ascending Order by AGCO Part No.

AGCO Part No.	Manufacturer Part No.	Bearing Type	Page No.
1109956	30206A	Tapered Roller	66
1109964	30214JR	Tapered Roller	68
1109970	30219	Tapered Roller	68
1109977	30305A	Tapered Roller	66
1109979	30307A	Tapered Roller	66
1109989	31306A	Tapered Roller	66
1109992	31309	Tapered Roller	67
1110001	32207JR	Tapered Roller	67
1110002	32208A	Tapered Roller	67
1110003	32210JR	Tapered Roller	67
1122281	6306C3	Ball	16
1124697	6005-RS1	Ball	15
1125783	32017JR	Tapered Roller	68
1130692	33111JR	Tapered Roller	67
1136432	6304.2RSR.C3.J22R	Ball	15
1136482	32007X/Q	Tapered Roller	66
1137018	33207JR	Tapered Roller	67
1137549	32016X	Tapered Roller	68
1138480	6209-2RS1C3	Ball	18
1139002	63052RSC3GA2	Ball	15
1139002	6305RS	Ball	15
1142451	16205	Radial Roller	35
1142452	GRAE30RRB + COL	Wide Inner Ring	26
1171646	526072A	Ball	13
1173588	5203KCL	Ball	14
1173591	TAF253316	Needle Roller	72
1173661	19138/19268	Tapered Roller	66
1174298	6206C3	Ball	16
1177126	G0117M7126C	Needle Roller	73
1177127	G0117M7127C	Needle Roller	73
1214887	JM714210/JM714249	Tapered Roller	68
1261539	EX10529	Thrust	77
1274034	NJ208EPC3	Radial Roller	34
1703792	72274VTE86	Cam Follower	80
2389930	6307C3	Ball	17
3910739	BD35-12DU8A	Ball	16
4303274	M201047	Cones	44, 62
4303279	30206AR/30286A	Tapered Roller	66, 62
4336119	JM716648	Cones	45, 64
4351472	32008X-VB022	Tapered Roller	67
4353209	BT1B332986Q	Tapered Roller	67
4383378	307418 BA	Thrust	77
4383379	307438BA	Thrust	77
6105621	6105621	Flangettes	90
6215029	LR201RRU	Tapered Roller	66
6215759	JEL207D1	Wide Inner Ring	26
6565139	CCFHL21/2SB1	Cam Follower	80
6610653	SC0228LLUC3	Ball	14
6630376	47MM-3TZP	Flangettes	90
6656237	F7ZZ-7548-AA	Thrust	76
6660460	AELS206-103-NW3	Wide Inner Ring	24
6664999	6003-2RS1	Ball	14
6672656	493	Cups	53
7035777	74600-150	Needle Roller	71
7710015	GC1112KRRB + COL	Wide Inner Ring	27
7710064	2520	Cups	47, 54
7710106	HM88610	Cups	50, 62
7710114	HM88649	Cones	44, 62
7710262	B24-L	Thrust	76
7711260	1102KRRB + COL	Wide Inner Ring	25
7711294	RA112RR + COL	Wide Inner Ring	24

AGCO Part No.	Manufacturer Part No.	Bearing Type	Page No.
7713134	567	Cones	39, 53
7713167	25577	Cones	41, 58
7713597	1103KRR3 C2 L/C	Wide Inner Ring	24
7713647	WG2E52U + COL	Wide Inner Ring	27
7713837	CFH2S	Cam Follower	80
7713860	67322	Cups	49, 61
7714363	495	Cones	39, 53
7714371	493	Cups	46, 53
7714629	5203PP4	Ball	14
7714868	CYR-11/4-S	Cam Follower	80
8050056	GW209PPB11	Disc Harrow	96
8050056	GW209PPB11 PRB	Disc Harrow	31
8050080	RA106RR L/C	Wide Inner Ring	24
8050262	M84510	Cups	50, 62
8050270	M84548	Cones	44, 62
8050536	B-1616-OH	Needle Roller	71
8050544	IR-1224	Needle Roller	71
8050593	SB-22315-SS	Radial Roller	34
8050601	KSP10FS160	Ball	14
8050635	MU1205TV	Radial Roller	34
8050676	55200	Cones	43, 61
8050866	CFL11/4SB	Cam Follower	80
8050874	MCGILL#PCR-3-1	Cam Follower	80
8051005	22211 E/C3	Ball	19
8051005	22211E/C3	Radial Roller	35
70042887	26822	Cups	48, 58
70043002	397	Cones	38, 53
70047751	26878	Cones	42, 58
70053509	593	Cones	39, 54
70058974	207	Ball	16
70061087	33889	Cones	42, 60
70061088	33821	Cups	49, 60
70067916	6305/C3	Ball	15
70068847	5535	Cups	47, 55
70073111	45220	Cups	49, 60
70073112	45290	Cones	43, 60
70080730	45285	Cones	43, 60
70087027	HM212046	Cones	44, 62
70097088	6306 NRJ	Ball	16
70204829	A0801	Thrust	77
70205756	205KL C3	Ball	15
70207570	7A	Cups	52
70208875	5948 NICE	Thrust	76
70209889	14138A	Cones	41, 57
70209890	14276	Cups	48, 57
70209894	395	Cones	38, 53
70209897	394AS	Cups	46, 53
70209899	26882	Cones	42, 58
70209905	3982	Cones	40, 55
70209925	9074	Cones	40, 56
70209926	15118	Cones	41, 57
70209983	15250	Cups	48, 57
70209984	9196	Cups	47, 56
70209985	15120	Cones	41, 57
70209987	2720	Cups	47, 54
70210008	25580	Cones	41, 58
70210011	3876	Cones	40, 55
70210012	3821	Cups	47, 55
70210027	208K C2	Ball	17
70210116	15523	Cups	48, 57
70210117	15578	Cones	41, 57

# Index

Listed in Ascending Order by AGCO Part No.

AGCO Part No.	Manufacturer Part No.	Bearing Type	Page No.
70210241	382	Cups	46, 53
70210290	207ZJ	Ball	16
70210551	14274	Cups	48, 57
70211537	J32-1640	Needle Roller	72
70211562	355	Cones	38, 52
70211563	385	Cones	38, 53
70211608	354A	Cups	46, 52
70211700	NU303ECP	Radial Roller	34
70211897	9195	Cups	47, 56
70211999	14137A	Cones	41, 57
70212037	382A	Cups	46, 53
70212243	207PR	Ball	16
70213010	3120	Cups	47, 54
70222214	2776	Cones	39, 54
70223308	375,3780,3729D	Tapered Roller	67
70223710	160416	Needle Roller	72
70223710	J32-1632	Needle Roller	72
70223712	6210 ZNR	Ball	18
70224837	6210NRC3	Ball	18
70225110	370A	Cones	38, 53
70225608	15101	Cones	41, 57
70225633	25570	Cones	41, 58
70227666	LM48510	Cups	49, 61
70227678	2729	Cups	47, 54
70227846	13687	Cones	41, 57
70228150	11-BC	Cones	38, 52
70228152	M12649	Cones	41, 56
70228153	M12610	Cups	48, 56
70228297	2877	Cones	39, 54, 56
70228297	3877	Cones	40
70229044	12175	Cones	40, 56
70229045	12303	Cups	48, 56
70230666	15120	Cones	41
70230666	15120A	Cones	57
70231175	BL211ZNRC3	Ball	18
70232247	2473	Cones	40, 56
70235079	A2256-1	Thrust	77
70235089	26823	Cups	48, 58
70235438	2421	Cups	47, 56
70238935	492A	Cups	46, 53
70238936	498	Cones	39, 53
70240289	LM613410	Cups	50, 63
70240364	LM613449	Cones	44, 63
70240445	2796	Cones	39, 54
70241380	15245	Cups	48, 57
70241492	3877A/3822RB	Tapered Roller	67
70242703	5211WL	Ball	19
70242850	2523	Cups	47, 54
70242875	1328	Cups	47, 54
70242910	23621	Cups	48, 58
70242911	23690	Cones	41, 58
70244141	385A/384SW, HM807046/010	Tapered Roller	67
70244162	HM89446	Cones	44, 62
70244167	45291	Cones	43, 60
70244195	HM89411	Cups	50, 62
70244271	28621	Cups	48, 59
70246398	C202616	Needle Roller	72
70246526	389A/384SW, HM807049/010	Tapered Roller	67
70248357	13686	Cones	41, 57
70248385	SY1-1/4 TF	Pillow Blocks	83
70250333	J7134	Needle Roller	72

AGCO Part No.	Manufacturer Part No.	Bearing Type	Page No.
70253011	3784	Cones	40, 55
70253499	29590	Cones	42, 59
70254872	382B	Cups	46, 53
70255693	B-228	Needle Roller	72
70257797	3822RB	Cups	47, 55
70271515	CR-10	Cam Follower	80
70272712	31308	Tapered Roller	67
70272746	56425/56650	Tapered Roller	68
70272800	32309 BJ2/B46	Tapered Roller	67
70323297	15126	Cones	41, 57
70328002	LM11910	Cups	48, 56
70336914	LM11710	Cups	47, 56
70336915	LM11749	Cones	40, 56
70341230	L44643	Cones	43, 60
70406677	SBX1184LLSQ1	Ball	13, 30
70406677	W211PP5	Disc Harrow	96
70507451	94732	Needle Roller	72
70525592	6203	Ball	14
70525977	2631	Cups	47, 54
70525980	2689	Cones	39, 54
70526975	13620	Cups	48, 57
70528519	6208 C3	Ball	17
70530468	2780	Cones	39, 54
70530806	YET203-010W	Wide Inner Ring	25
70530811	40MS-ZP	Flangettes	90
70531251	LM67000LA 902A1	Cones	43
70531251	LM67000LA902A1	Cones	61
70536147	SBX06A59LLXQ1	Ball	20
70539112	29520	Cups	48, 59
70539114	2788	Cones	39, 54
70539158	1112KRRB + COL	Wide Inner Ring	26, 85
70541725	7890	Cam Follower	80
70541937	16284	Cups	48, 57
70541938	16150	Cones	41, 57
70547444	RA107RRB + COL	Wide Inner Ring	25
70547628	RA100RR + COL	Wide Inner Ring	24
70555360	LM29710	Cups	49, 59
70555361	LM29749	Cones	42, 59
70559857	1100KL + COL	Wide Inner Ring	24
70560985	JH 1616	Needle Roller	72
70569556	80MM	Flangettes	91
70571020	204RR8 E8728	Ball	14
70575883	W208PPB16	Ball	20, 31, 95
70582091	JL69310	Cups	49, 61
70582092	JL69349	Cones	43, 61
70583924	G100MSB-ZP	Flangettes	91
70583925	G100MSA-2ZP	Flangettes	91
70583939	3AS11-1.1/2D1V3	Disc Harrow	31
70583939	GW211PPB3	Disc Harrow	96
70586143	GW208PPB29	Ball	20, 31
70586144	G80MSA	Flangettes	91
70586145	80MSA	Flangettes	91
70589573	GW209PPB5	Ball	21, 31
70590610	RA102RR + COL	Wide Inner Ring	24
70590704	RA102RRB L/C	Wide Inner Ring	25
70590709	RA102RRB	Housed Units	84
70590709	RA102RRB + COL	Wide Inner Ring	25
70590710	YET 206 102	Wide Inner Ring	26
70590712	YET 207-104	Wide Inner Ring	26
70592118	21FLMXZ48PP2	Flangettes	89
70593180	TG72MSA-2ZP	Flangettes	90



# Index

Listed in Ascending Order by AGCO Part No.

AGCO Part No.	Manufacturer Part No.	Bearing Type	Page No.
70593181	TG72MSB-ZP	Flangettes	90
70594491	7AS11-1.1/2D1V2	Disc Harrow	30
70595363	21FLMXZ48PP2CA	Flangettes	89
70596130	20SBG2209E3	Ball	13
70596130	GW209PP5	Disc Harrow	30
70596232	Y223NL	Wide Inner Ring	26
70605175	3767	Cones	40, 55
70619872	34306	Cones	43, 60
70633711	HM516410	Cups	50, 63
70634567	HM212011	Cups	50, 62
70659153	45221	Cups	49, 60
70680631	HM212010	Cups	50, 62
70800186	9081	Cones	40, 56
70800420	488016	Ball	14
70800421	488503	Ball	14
70800449	1380	Cones	39, 54
70804501	P304K Z5	Ball	15
70926702	LM48500LA 902A1	Cones	43
70926702	LM48500LA902A1	Cones	61
70926704	L44643 ASY90025	Tapered Roller	66
70927270	LM102949	Cones	44, 62
70927273	LM102910	Cups	50, 62
70927347	JM515649	Cones	44, 63
70927348	JM515610	Cups	50, 63
70927349	JM822010	Cups	51, 65
70927350	JM822049	Cones	45, 65
70927437	LM12749	Cones	41, 56
70927949	L814749	Cones	45, 65
70927953	HM89449	Cones	44, 62
70927954	2580	Cones	39, 54
70927957	L814710	Cups	51, 64
70927959	26822A	Cups	48, 58
70928056	HM218248	Cones	44, 62
70928064	JH211749	Cones	44, 62
70928069	JH211710	Cups	50, 62
70928284	JM207049	Cones	44, 62
70928285	JM207010	Cups	50, 62
70928286	2152NR	Ball	19
70928286	215ZNR	Ball	19
70928287	3733	Cups	47, 55
70928929	6008RSRC3	Ball	17
70929161	25572	Cones	41, 58
70929396	JM511910	Cups	50, 63
70929399	JM511946	Cones	44, 63
70929620	29580	Cones	42, 59
70929653	2793	Cones	39, 54
70929667	42375A	Cones	43, 60
70929726	HM516448	Cones	44, 63
70929740	LM104912	Cups	50, 62
70929742	LM104949	Cones	44, 62
70929834	HM803149	Cones	45, 64
70930424	JLM710949C	Cones	45, 63
70930426	JLM710910	Cups	50, 63
70930427	HM807011	Cups	51, 64
70930869	6559C	Cones	40, 56
70930883	JM714210	Cups	50, 64
70930884	JM714249	Cups	45, 64
70931012	HM212049	Cones	44, 62
70931013	3126	Cups	47, 55
70931014	3196	Cones	39, 55
70931024	JH307710	Cups	50, 62

AGCO Part No.	Manufacturer Part No.	Bearing Type	Page No.
70931025	JH307749	Cones	44, 62
70931618	33891	Cones	42, 60
70931690	6004LLUNR	Ball	14
70932843	3875	Cones	40, 55
70932875	5584	Cones	40, 55
70932891	B-248	Needle Roller	73
70932928	LM104911	Cups	50, 62
70932975	HM801310	Cups	51, 64
70933016	4T-JLM508710	Cups	50
70933016	JLM508710	Cups	63
70933017	JLM508748	Cones	44, 63
70933165	39573	Cones	43, 60
70933868	39520	Cups	49, 60
70933953	67675	Cups	49, 61
70934840	HM807046	Cones	45, 64
70936730	368S	Cones	52
70936730	368-S	Cones	38
70937161	M804049	Cones	45, 64
70937162	M804010	Cups	51, 64
70937174	643	Cones	39, 54
70937175	633	Cups	47, 54
70937180	JM719113	Cups	51, 64
70937181	JM719149	Cones	45, 64
70937194	SCE78	Needle Roller	71
70937206	LM603012	Cups	50, 63
70937209	13685	Cones	41, 57
70937210	13621	Cups	48, 57
70937217	SCE4412	Needle Roller	73
70937219	L44649	Cones	43, 60
70937250	6014.2RSR.C3.J22R	Ball	19
71114824	93524NA	Needle Roller	72
71117404	6210-RS1/C3	Ball	18
71118123	T-27361	Thrust	76
71118304	6208-RS	Ball	17
71119313	355A	Cones	38, 52
71119323	28985	Conesr	59
71120308	6209 NR C3	Ball	17
71122510	1108KRRB + COL	Wide Inner Ring	26
71126056	BBY-5549	Ball	14
71126430	212555	Flangettes	90, 92
71127313	T62MSTR-2YZP	Flangettes	90
71127426	13600LA 902A1	Cones	41
71127426	13600LA902A1	Cones	57
71130258	T85MS-SYZP	Flangettes	91
71131262	A0899-2	Thrust	76
71131263	6206 NRC3	Ball	16
71131910	208KRR4	Ball	17
71132366	207KRR3	Ball	16
71133361	52MSTR-4YZP	Flangettes	90
71135013	T-199	Thrust	77
71135350	6303LLUC3/5C	Ball	14
71138465	RA114RRB + COL	Wide Inner Ring	26
71139943	HP93416NA	Needle Roller	71
71141190	1726309 2RS1	Ball	21
71141240	D3300-13DSI	Ball	19
71143200	2585	Cones	39, 54
71143645	1306L	Ball	16
71145314	6209-RS1/C3	Ball	18
71151719	WK2250.T1428	Ball	18
71154722	1726310 2RS	Ball	21
71154852	6310	Ball	18

# Index

Listed in Ascending Order by AGCO Part No.

AGCO Part No.	Manufacturer Part No.	Bearing Type	Page No.
71158140	EE3S Z	Ball	13
71159478	NTA-5266	Thrust	77
71160044	HM803110	Cups	51, 64
71160100	6013.2RSR.C3.J22R	Ball	19
71161396	NTA-6074	Thrust	77
71162723	JM612910	Cups	50, 63
71162724	JM612949	Cones	44, 63
71162777	K3420	Cups	47, 55
71162778	3490	Cones	40, 55
71162781	JM205149	Cones	44, 62
71162782	JM205110	Cups	50, 62
71166366	HP93316 R1	Needle Roller	71
71166945	NTA-2233	Thrust	76
71169762	6210LUNRSC3/3A	Ball	18
71173723	NTA-4052	Thrust	77
71179458	6211-2RS1C3	Ball	19
71179958	LM11900LA 902A1/LM11910	Tapered Roller	67
71189834	J-3016	Needle Roller	73
71192128	308GS1DS	Thrust	76
71192243	T72MSTR-2YZP	Flangettes	90
71195912	6310-2RS	Ball	18
71195913	6015 2RS1	Ball	19
71197194	207KRRB9	Ball	20, 95
71197421	RFC1 3/4 L/C	Housed Units	86
71302496	206KR7 C1	Ball	16
71306657	YEL 205-100-2FWU	Wide Inner Ring	25
71307332	KP12A-A2365	Ball	14
71307583	G62MSB-3ZP	Flangettes	90
71307584	G62MSA-6ZP	Flangettes	90
71308770	YET 205 014 + COL	Wide Inner Ring	25
71308951	YET 205-100 W	Wide Inner Ring	25
71308962	YEL 205-100-2FW/VT307B	Wide Inner Ring	25
71308984	YET 206-104	Pillow Blocks	83
71308984	YET 206-104 + COLLAR	Wide Inner Ring	25
71308995	1103KRRB3 + COL	Wide Inner Ring	25
71309117	YEL-207-104 2FW	Housed Units	84
71309117	YEL-207-104 2FWU	Wide Inner Ring	25
71309128	1106KRRB + COL	Wide Inner Ring	25
71309694	22208CCW33	Radial Roller	35
71309975	JHTT-1618-OH	Needle Roller	72
71314481	67390	Cones	43, 61
71324230	88107 2RR4C3 GA2	Ball	16
71326257	L44600LA	Cones	43, 60
71326257	L44600LA-902A1	Tapered Roller	66
71333775	YET 207-106WU/C3VT307B	Wide Inner Ring	25
71335182	62102RS1VE391	Ball	18
71336974	5204PP A4257	Ball	15
71340495	6311-2RS1/C3	Ball	19
71344496	22308CJW33C3	Radial Roller	35
71344589	6011 NR	Ball	18
71355352	522/529	Tapered Roller	67
71363435	6212 2RS1	Ball	19
71365065	YAR212-207W	Wide Inner Ring	26
71368048	SY 1-1/2 FM	Pillow Blocks	83
71369864	62MS-19YZP	Flangettes	92
71370130	72MS-ZP	Flangettes	90
71370205	6213-2RS1	Ball	19
71370634	72MS-15YZP	Flangettes	92
71374803	YCRSC-40	Radial Roller	34, 71
71377534	3820	Cups	47, 55
71377535	3880	Cones	40, 55

AGCO Part No.	Manufacturer Part No.	Bearing Type	Page No.
71378740	B/P 12904	Housed Units	86
71391540	5200 A2RS1TN9/C3	Ball	13
71396472	2306 E-2RS1TN9	Ball	16
71398331	6311-2RS1/C3GJN	Ball	18
71409751	592XE	Cups	46, 54
71409752	594A	Cones	39, 54
71505895	207KRRB12	Ball	20
72090062	62208 2RS1C3	Ball	17
72090065	6313C3	Ball	19
72090691	35BC	Cones	38, 52
72090692	36X	Cups	46, 52
72090693	38A	Cups	46, 52
72094326	NUP2203E.TVP2	Radial Roller	34
72097938	6207NR	Ball	16
72098661	62/32	Ball	16
72100175	6308	Ball	17
72100765	40TRK39-4SB	Thrust	76
72100841	6204NR	Ball	15
72103232	55TMK804X	Thrust	77
72160033	A3803	Thrust	77
72160065	225518N	Thrust	77
72160238	3193	Cones	39, 55
72160240	31521	Cups	49, 59
72160241	31597	Cones	42, 59
72160313	60082RSC4GA2	Ball	17
72160419	M1211EL	Radial Roller	34
72160722	M1309EL	Radial Roller	34
72160729	MU1209TV	Radial Roller	34
72161722	B-2416-OH	Needle Roller	73
72161792	K50X55X20H	Needle Roller	73
72161843	83A551B	Radial Roller	34
72161859	RYLE 212	Ball	21
72162233	M-14161	Needle Roller	71
72162245	72487	Cups	49, 61
72162346	HM218238	Cones	44, 62
72162531	JLM104910/JLM104948	Tapered Roller	67
72162537	6535	Cups	47, 56
72162537	6559C/6535	Tapered Roller	68
72162540	15102	Cones	41, 57
72162619	JM205149/JM205110	Tapered Roller	67
72162620	JM511910/JM511946	Tapered Roller	68
72162623	M804010/M804049	Tapered Roller	67
72162895	HM801346	Cones	45, 64
72163082	L319210	Cups	50, 62
72163082	L319249	Cones	44, 63
72163082	L319210/L319249	Tapered Roller	68
72163092	387A	Cones	38, 53
72163184	394A & 395A	Tapered Roller	68
72255674	30212A	Tapered Roller	68
72255679	30217JR	Tapered Roller	68
72310308	6010C3	Ball	18
72310314	6209C3	Ball	18
72310315	6211C3	Ball	18
72340100	6210 2RSGA2	Ball	18
72416427	6205 2RS C3 Z14	Ball	15
72437473	6306-2RS C3	Ball	16
72438620	6305-2RS C3	Ball	15
72438724	6204LLUC3/2AS	Ball	15
72476313	52MS-2YZP	Flangettes	90
72503499	60072RS1C3	Ball	16
72503933	210	Ball	18

# Index

Listed in Ascending Order by AGCO Part No.

AGCO Part No.	Manufacturer Part No.	Bearing Type	Page No.
72505492	6008.2RSR.C3.J22R	Ball	17
72505831	2256A (LB00)	Thrust	77
72507597	475	Cones	39, 53
72507599	472	Cups	46, 53
72527583	72527583 SPECIAL	Housed Units	86
72614549	6208C3	Ball	17
73024650	497	Cones	39, 53
73028644	34478	Cups	49, 60
74044210	6304LU	Ball	15
74044212	6204-RSH/C3	Ball	15
74253254	14139	Cones	41, 57
74253262	B-1416-OH	Needle Roller	71
74253291	25521	Cups	48, 58
74253527	A0899-3	Thrust	76
74253787	39585	Cones	43, 60
74253868	6303-C3 Z14	Ball	14
74253936	25584	Cones	42, 58
74254258	39580	Cones	43, 60
74254699	LM501310	Cups	50, 63
74254700	LM501349	Cones	44, 63
74254801	33895	Cones	42, 60
74254984	26884	Cones	42, 58
74255338	NU205E	Radial Roller	34
74255820	2789	Cones	39, 54
74357289	LM29749ASY90013	Tapered Roller	67
74507158	60622VBF00	Ball	13
79027277	AELPF205-100W3	Flangettes	90
79033107	SBX1173LLSQ1	Ball	13
700001840	30205	Cones	59
700006210	30205	Cones	42, 59
700006211	30204	Cones	42, 59
700108622	35MST	Flangettes	89
700138991	22315BD1C3	Radial Roller	35
700703236	HT90MS-4ZP	Flangettes	92
700703794	33472	Cups	49, 59
700703795	33251	Cones	42, 59
700703796	9121	Cups	47, 56
700703797	9185	Cones	40, 56
700703800	JM720210	Cups	51, 64
700703802	JM720249	Cones	45, 64
700703946	CCFH21/2SB	Cam Follower	80
700704263	RA203RRB + COL	Wide Inner Ring	26
700704966	497A	Cones	39, 53
700705429	B-2020-OH	Needle Roller	72
700705612	7811E	Cam Follower	80
700706027	9386H	Cones	40, 56
700706029	9321	Cups	47, 56
700706030	755	Cones	39, 54
700706033	759	Cones	39, 54
700706034	752	Cups	54
700706038	28920	Cups	48, 59
700706039	28990	Cones	42, 59
700706041	23030BD1C3	Radial Roller	35
700706124	LM48548-90038	Tapered Roller	66
700706189	608LLU/5C	Ball	13
700706189	608LU	Ball	13
700707402	P200PP Z10	Ball	13
700708091	FH207-22-AP	Wide Inner Ring	25, 85
700708091	FH207-22-XO- AP	Pillow Blocks	83
700708582	VFTD1 1/8	Housed Units	84
700709106	DF0654LLUC4/5C	Ball	16

AGCO Part No.	Manufacturer Part No.	Bearing Type	Page No.
700709619	RAE40RRB + COL	Wide Inner Ring	26
700710370	48320	Cups	49, 61
700710375	HM218210	Cups	50, 62
700710378	29360	Cups	48, 59
700710380	48385	Cones	43, 61
700710412	TG72MSA-13ZP	Flangettes	90
700710419	L44600LA-902A7	Tapered Roller	66
700710526	CF13/4-S	Cam Follower	80
700710545	395LA 902A4	Cones	38
700710545	395LA902A4	Cones	53
700710914	RA203RR L/C	Wide Inner Ring	24
700711707	CFH13/4S	Cam Follower	80
700711918	T80MS-S2ZP	Flangettes	91
700712353	32206J 2/Q	Tapered Roller	66
700712383	6207	Ball	16
700714310	BAH-0013	Radial Roller	35
700715741	22213E/C3W33	Radial Roller	35
700715742	799	Cones	39, 54
700715743	JHM522649	Cones	44, 63
700715744	792	Cups	54
700715745	JHM522610	Cups	50, 63
700715941	41FL64PP	Flangettes	89
700717117	L68111	Cups	49, 61
700717118	L68149	Cones	43, 61
700717509	72MS-2YZP	Flangettes	90
700717515	T52MST-ZP	Flangettes	89
700717727	6020-2RS1	Ball	19
700717917	RFDR1 3/4	Housed Units	85
700718362	6308 2RS1NTN9/C4	Ball	17
700719343	RFTD1 1/4	Housed Units	84
700719447	HJ-243320-RS	Needle Roller	73
700720050	DF0109LLPX1/L65701	Cam Follower	80
700720334	42687	Cones	43, 60
700720336	42620	Cups	49, 60
700720518	42690	Cones	43, 60
700721325	G90MSA-YZP	Flangettes	91
700721326	G90MSB-YZP	Flangettes	91
700721594	6309-2RS1C3	Ball	17
700722149	10259-210372552	Needle Roller	71
700723853	JLM506849A	Cones	44, 63
700723938	60092RSC3	Ball	17
700726228	6208-2RS1TN9/C3VE167	Ball	17
700726369	32212	Tapered Roller	68
700726370	32215 92KA1	Tapered Roller	68
700729052	JHM720249	Cones	45, 64
700732970	204PY3-CX	Ball	14
700736566	6901P	Cam Follower	80
700736727	GRA200RRB + COL	Wide Inner Ring	27
700737442	TG1603KRR50-SP1	Ball	19
700739515	RA108RR L/C	Wide Inner Ring	24
700748960	FLU210D1V50	Housed Units	84
036308P1	GE40KRRB	Housed Units	84
036308P1	GE40KRRB + COL	Wide Inner Ring	27
1000251M1	B-108	Needle Roller	71
100565A	A-2469-3	Thrust	76
101692A	HJ-223016	Needle Roller	73
1021790M1	HJ-142212	Needle Roller	71
1023219M3	90091649	Needle Roller	72
103300A	6202-2Z/C3GJN	Ball	13
103751A	NTA-3650	Thrust	77
103758A	568	Cones	39, 53

# Index

Listed in Ascending Order by AGCO Part No.

AGCO Part No.	Manufacturer Part No.	Bearing Type	Page No.
104089W1	6207-2Z/C3	Ball	16
104565A	GR 36 N	Needle Roller	73
1047513M1	3204ATN9/C3	Ball	15
1051469M1	6212ZC3	Ball	19
105434A	MR-20	Needle Roller	72
106049A	6010-2RS1/C3GJN	Ball	18
1070411M1	SC0228LLU	Ball	14
107610A	33461	Cups	49, 59
10A20106	29585	Cones	42, 59
10A21642	25880	Cones	42, 58
10A22365	342S	Cones	38, 52
10A26950	2788A	Cones	39, 54
10A6714	7204	Cups	47, 56
10A7291	387	Cones	38, 53
10A8381	NTA-3648	Thrust	77
10A8440	34301	Cones	42, 60
10A9498	T139	Thrust	76
10P2421	43125	Cones	43, 60
10P2422	43312	Cups	49, 60
11407V	1100KRRB6	Wide Inner Ring	25
11407V	BS221261L1	Ball	20
114093M1	6207-2RS1	Ball	16
13851X	7109	Ball	13
1440484X1	6202	Ball	13
1440489X1	6204Z	Ball	15
1440492X1	6203ZZ	Ball	14
1440494X1	6206C3	Ball	16
1440506X1	6304	Ball	15
1440559X1	6307NR	Ball	17
1440636X1	32308	Tapered Roller	67
1440640X1	30309A	Tapered Roller	67
1440826X1	31309J-N/31309JR-N	Tapered Roller	67
1441169X1	6215	Ball	19
1442074X1	6206-RS1/C3	Ball	16
1442381X1	16013	Ball	19
1442550X1	4T-32305	Tapered Roller	66
150662M11	9067/9195	Cones	40, 56, 66
15576X	15117	Cones	41, 57
156568A	B-146	Needle Roller	71
156676A	T94-12	Needle Roller	71
157168A	28678	Cones	42, 59
1574600W1	JT-2013	Needle Roller	72
157488A	C222820	Needle Roller	73
15853X	25877	Cones	42, 58
15854X	25820	Cups	48, 58
15862V	G1211KRRB + COL	Wide Inner Ring	27
1610217M1	HK303712	Needle Roller	72
1611064M1	B-328	Needle Roller	73
1612560M1	4T-JH415647	Cones	44
1612560M1	JH415647	Tapered Roller	63
1612561M1	JH415610	Cups	50, 63
1612707M1	RNU-405	Radial Roller	34
1612725M1	B-348	Needle Roller	73
1613884M1	TC4860	Thrust	77
165971A	6212-NR	Ball	19
1675274M1	6210 ZNBR	Ball	18
167751A	B-2610	Needle Roller	73
168208A	NTH-4066	Thrust	77
1692590M1	A-712	Radial Roller	34
1696721M1	1696721M1	Thrust	76
17201X	25520	Cups	48, 58

AGCO Part No.	Manufacturer Part No.	Bearing Type	Page No.
1751676M1	A-2194	Thrust	76
17526V	207P Z3 FS50000	Ball	16
1850090M92	HM903210	Cups	51, 65
1850090M92	HM903249	Cones	45, 65
1850090M92	HM903210/HM903249	Tapered Roller	67
1850224M91	15123/15245	Cones	41, 57, 66
1850909M91	37425	Cones	43, 49, 60
1851388M91	3782/3720	Cones	40, 55, 67
1851392M91	395A/394A	Cones	38, 53, 68
185379M1	FA-22886-R	Thrust	76
1860503M93	29685/29620	Cones	42, 49, 59, 67
1861106M91	27695/27620	Cones	42, 58, 68
1881931M91	27687	Cones	42, 58
1881931M91	27687/27620	Tapered Roller	68
1883279M91	495A/493	Tapered Roller	68
1885155M91	27690	Cones	42, 58
1886195M91	28682/28622	Cones	42, 48, 59, 67
190460M1	594	Cones	54
190460M1	4T-594	Cones	39
1905160M1	3920	Cups	47
1905664M1	W208PPB2	Disc Harrow	96
1905665M1	W208PP5	Disc Harrow	96
1905667M1	GW208PPB5	Disc Harrow	96
1905669M1	W208PP8	Disc Harrow	30, 96
1905671M1	W208PPB11	Disc Harrow	96
1905673M1	W209PPB4	Disc Harrow	96
1905676M1	W210PP2	Disc Harrow	96
1905677M1	GW210PP4	Disc Harrow	96
1905678M1	7AS11-1.1/2V1	Disc Harrow	30
1905678M1	W211PP3	Disc Harrow	96
1905679M1	GW211PP3	Disc Harrow	96
1905680M1	W211PPB6	Disc Harrow	96
1905681M1	GW211PPB9	Disc Harrow	96
1905682M1	GW209PPB2	Disc Harrow	96
1905683M1	GW211PPB2	Disc Harrow	31, 96
191250M1	431935-C	Radial Roller	34
195159M1	3984	Cones	40, 55
195160M1	3920	Cups	55
195162M1	3795	Cones	40, 55
195163M1	53177	Cones	43, 61
195175M1	TMA170000	Thrust	77
195196M1	B-1210-OH	Needle Roller	71
195453M1	SCE228	Needle Roller	73
195457M1	T-77W	Thrust	76
195498M1	6009NR	Ball	17
195505M1	208Z	Ball	17
195507M1	6211-Z	Ball	18
195513M1	B-1212	Needle Roller	71
195675M1	462A	Cones	53
195675M1	462 A	Cones	39
196167M1	CBK 287A	Thrust	76
1A60065	BS221177	Pillow Blocks	83
20-0007597	S13R	Ball	17
208285M1	2735X	Cups	47, 54
212609M1	HM89410	Cups	50, 62
22245X	3578	Cones	55
22245X	3578R	Cones	40
22245X	4T-3578	Cones	40, 55
22246X	3525	Cups	47, 55
22602X	G1115KRRB	Housed Units	84
22602X	G1115KRRB + COL	Wide Inner Ring	27

# Index

Listed in Ascending Order by AGCO Part No.

AGCO Part No.	Manufacturer Part No.	Bearing Type	Page No.
22632X	47MM-3ZP	Flangettes	90
2490830W1	UL315-215D1	Wide Inner Ring	27
2492063W91	UELFLU210-1.15/16	Housed Units	84
2513850W91	LM11949 ASSY 90013	Tapered Roller	66
256179M1	A-3552	Thrust	77
2759934M1	X376RSCG6Q	Ball	17
2759935M1	309SZZ4	Ball	18
30-3022617	5304	Ball	15
30-3056287	A-2526-11	Thrust	77
30-3056295	206516N	Thrust	77
30-3056309	A3560-25	Thrust	77
30-3065146	6008 2RS2NR/C4P	Ball	17
30-3065162	6007-2RS2/C4LHT23	Ball	16
30-3088847	J-3616	Needle Roller	73
30-3126110	SCE2412	Needle Roller	73
30-3214613	HM903249 90013	Tapered Roller	67
30-3318206	32020X	Tapered Roller	68
30-3479811	32205B-92KA1	Tapered Roller	66
3000724X1	6007RS	Ball	16
3003258X1	6210RS	Ball	18
3003369X1	NJ309	Radial Roller	34
3003372X1	NUP-211	Radial Roller	34
3008252X1	6210ZNR	Ball	18
3009388X1	6010Z	Ball	18
300974M1	462	Cones	53
300974M1	4T-462	Cones	39
300975M1	453X	Cups	46, 53
3009853X1	32010X	Tapered Roller	67
3010192X91	399AS/394A	Cones	38, 53, 68
3020679M1	HK2516	Needle Roller	71
3074890M1	395S/394A	Cones	38, 53, 68
31-0064	W228EL	Wide Inner Ring	26
31-0072	W209PPB2	Disc Harrow	31, 96
31-0072	W209PPB2 C4	Ball	21
31-1572030	JHT-2213	Needle Roller	73
31-1588410	6308-2RS	Ball	21
31-1604330	51110	Thrust	77
31-1743560	25519	Cups	48, 58
31-1825200	CF-1-S-56	Cam Follower	80
31-2475140	205KRRB2	Hex Bore	95
31-2475140	205KRRB2 C1	Ball	20
31-2551220	CCFH-1-S-1	Cam Follower	80
3176707M91	25522	Cups	48, 58
3282159M1	NAG#4906	Needle Roller	71
3282907M1	15123/15245	Tapered Roller	66
33-0052221	60TMK20	Thrust	77
33-0065471	6004LU	Ball	14
3304944M1	3304944M1	Needle Roller	73
3310930M91	M86649/M86610	Cones	44, 50, 62, 66
3310930M91	M86649/M86611	Cones	62
3383709M1	594/593X	Tapered Roller	68
3387381M1	NU1007ECP	Radial Roller	34
339065X1	KINEX 6006	Ball	16
339439X1	30212JR	Tapered Roller	68
339673X1	6013	Ball	19
339800X1	6007 2RS	Ball	16
339932X1	6202-2RLD-C3	Ball	13
34-0103	DS209TT4	Disc Harrow	31
34-0103	W209PPB4 C2	Ball	20
3405249M91	4388/4335	Cones	40, 47, 55, 67
3405249M91	4388/4336	Cones	55

AGCO Part No.	Manufacturer Part No.	Bearing Type	Page No.
3405342M91	386A	Cones	38, 53
3405343M91	3820	Cups	47, 55
3405346M91	493/498	Tapered Roller	68
3435646M1	6002LU	Ball	13
3435718M1	6302-2RS1	Ball	13
350356X1	362A	Cups	46, 52
353067X1	6205-RLD	Ball	15
353114X1	RA012RRB + COL	Wide Inner Ring	25
353134X1	YET 206-101 W	Wide Inner Ring	25
353152X1	CS204LLU	Ball	20
353161X1	YET 206-103W	Wide Inner Ring	25
354920X1	6307 2RS	Ball	17
3599263M1	3599263M1	Thrust	76
35A3399	387S	Cones	38, 53
3612310M1	3980	Cones	40, 55
3613200M1	BHTM3030-OH	Needle Roller	72
3613762M1	K55X63X25A	Needle Roller	73
3634465M1	GW211PP17	Disc Harrow	30
3643380M1	203KRR2	Ball	14
3647577M1	3647577M1	Needle Roller	73
3700527M1	CTS64SA	Thrust	77
3702563M1	CT55B L1GUN	Thrust	77
3734221M1	6212C3	Ball	19
3734275M1	6309C3	Ball	17
3734345M1	NU207C3	Radial Roller	34
3760514M1	RMS92RKMC4	Ball	15
3764595M1	JLM714110	Cones	45, 50, 63
3787856M1	RCJT40	Housed Units	84
3814488M2	K25x31x21H	Needle Roller	71
3815653M1	3815653M1	Needle Roller	73
3815690M1	3815690M1	Needle Roller	73
3816850M1	3816850M1	Thrust	76
390803X1	51105 (JB00)	Thrust	76
390876X1	32307	Tapered Roller	66
390941X1	60062RS	Ball	16
390984X1	6007	Ball	18
391057X1	6004-2RLD	Ball	15
391088X1	60112RSC3	Ball	18
391145X1	60122RS	Ball	19
391162X1	6210	Ball	18
391261X1	6011	Ball	18
391339X1	32013XU	Tapered Roller	68
395568X1	6208NR	Ball	17
4267028M1	00-05362	Needle Roller	71
441401M1	35MS	Flangettes	90
447899M1	DS208TT12B	Disc Harrow	31
447899M1	W208PPB12	Disc Harrow	96
504226M1	33462	Cups	49, 59
504227M1	33275	Cones	42, 59
552-008	RA008RRB + COL	Wide Inner Ring	25
552-204	W208PPB13	Disc Harrow	96
552-500	SCE1616PP	Needle Roller	72
553-040	40MST2	Flangettes	89
556999D1	LM545849	Cones	44, 63
581318M91	7623	Cam Follower	80
588221M2	39590	Cones	43, 60
588242M1	592A	Cups	46, 53
642239M1	6201LLBC3/2A	Ball	13
658138M1	26824	Cups	48, 58
658139M1	19138	Cones	41, 58
664837M91	G85MSA-S7	Flangettes	91

# Index

Listed in Ascending Order by AGCO Part No.

AGCO Part No.	Manufacturer Part No.	Bearing Type	Page No.
664943M2	100MSB-S5	Flangettes	91
664944M2	100MSB-S6	Flangettes	91
669533M1	7042	Cam Follower	80
712612B	72MS-6	Flangettes	92
72100764V	6205LLBNR/2AS	Ball	15
7427-4	001NFR-YG224N	Housed Units	85
7445-14	2476	Cones	40, 56
7445-29	HM804848	Cones	45, 64
7445-45	19150	Cones	41, 58
7445-72	25583	Cones	42, 58
7446-12	2420	Cups	47, 56
7446-35	19268	Cups	48, 58
744620M91	41425608	Thrust	76
7458-6	B-3424-DOH	Needle Roller	73
7487-1	001NF-W220E	Housed Units	85
7494-5	P-B22428H	Pillow Blocks	83
7494-6	PE-B22439H	Pillow Blocks	83
7494-7	P-B22447H	Pillow Blocks	83
7591-1	WB212EL	Wide Inner Ring	24
760906M1	5BC	Cones	38, 52
760907M1	6CE	Cups	46, 52
760907M1	4T_6	Cups	46
771130M1	42381	Cones	43, 60
7738-14	PL3W224U	Pillow Blocks	83
7738-16	P3-Y228N	Pillow Blocks	83
7738-25	UELPL-2.1/4	Pillow Blocks	83
7738-6	P3Y220N	Pillow Blocks	83
7739-6	TCJ1 3/8	Housed Units	86
7745-17	G1103KRRB3	Wide Inner Ring	26
7745-37	YG228E3LK33	Wide Inner Ring	27
828123M2	6203 2RS1C3	Ball	14
828123N1	6203-ZZ	Ball	14
831043M1	14123A	Cones	57
831043M1	14123AA	Cones	57
831043M1	14123 AA	Cones	41
831047M1	HM804810	Cups	51, 64
831055M1	LM11949	Cones	40, 56
831087M1	6206-2RS	Ball	20
831112M1	CS205LLU	Ball	20
831133M1	14136A	Cones	57
831133M1	14136 AA	Cones	41
831134M1	CS209LLU	Ball	21
831200M1	NTA-1423	Thrust	76
831220M1	B-3216	Needle Roller	73
831224M1	B-2016	Needle Roller	72
831231M1	BAM-2012	Needle Roller	72
831244M1	B-1816	Needle Roller	72
831246M2	BA 4420 Z	Needle Roller	73
831263M1	FA-17934	Thrust	76
831296M1	BA4416	Needle Roller	73
831304M1	368	Cones	38, 52
831335M1	14120	Cones	41, 57
831354M1	453A	Cups	46, 53
831411M1	B-188	Needle Roller	72
831415M1	B-2420	Needle Roller	73
831484M1	1654NSTN	Ball	16
831486M1	HM88510	Cups	50, 62
831487M1	HM88542	Cones	44, 62
831529M1	B-128	Needle Roller	71
831535M1	B-88	Needle Roller	71
831733M1	33287	Cones	42, 59

AGCO Part No.	Manufacturer Part No.	Bearing Type	Page No.
831778M1	SBX0838	Wide Inner Ring	26
831781M1	80MM-4 ZP	Flangettes	92
831788M1	A2256_31	Thrust	77
831822M1	CS207LLU	Ball	20
831861M1	CS307LLU	Ball	20
831877M1	YEL 209-112-2F	Wide Inner Ring	27, 86
831877M1	YG228NL	Pillow Blocks	83
831894M1	47620	Cups	49, 60
831940M1	6977	Cam Follower	80
831960M3	W210PPB2	Disc Harrow	96
831982M1	62M-2ZP	Flangettes	89
832009M1	CS203LLU	Ball	20
832032M1	363	Cups	46, 52
832087M1	CS208LLU	Ball	20
832190M1	L44610	Cups	49, 60
832261M1	M-20201	Needle Roller	72
832305M1	6305-RS1	Ball	15
832316M1	6217 Z3C/2A	Ball	19
832333M1	209	Ball	17
832334M1	M6306	Ball	16
832339M1	B-1212-OH	Needle Roller	71
832397M1	4CB	Cones	38, 52
832455M1	1203KRRB + COL	Wide Inner Ring	26
832487M1	B-86	Needle Roller	71
832540M1	3AS11-1.1/2CN	Disc Harrow	31
832540M1	W211PPB3	Disc Harrow	96
832590M1	47686	Cones	43, 61
832628M1	88506A	Ball	16
832686M1	6204-RS	Ball	15
832719M1	94628NA	Needle Roller	72
832729M1	342A	Cones	38, 52
832746M1	RA110RRB/COL	Wide Inner Ring	26
832768M1	203NPP9	Ball	14
832776M1	MH-20161-D	Needle Roller	72
832778M1	6205 2RS C-4	Ball	15
832804M1	B-1710	Needle Roller	72
832814M1	NTC-1427	Thrust	76
832926M1	M88048	Cones	44, 62
832927M1	M88010	Cups	50, 62
832930M1	29521	Cups	48, 59
832933M1	52MM-3EZP	Flangettes	90
832961M1	T177 TTC	Thrust	76
832982M1	6308 2RS/C3	Ball	17
833051M1	H715311	Cups	51, 64
833081M1	A-2583-47	Thrust	77
833083M1	B-2012-OH	Needle Roller	72
833085M2	A-2336-147	Thrust	77
833094M1	LM603011	Cups	50, 63
833095M1	LM603049	Cones	44, 63
833135M1	42584	Cups	49, 60
833193M1	B-3620	Needle Roller	73
833241M1	LM814849	Cones	45, 65
833242M1	LM814810	Cups	51, 65
833246M1	JH-2016-D	Needle Roller	72
833260M1	BA2416Z0H	Needle Roller	73
833296M1	4T-HM804840	Cones	45, 64
833309M1	3209A_C3	Ball	18
833349M1	72 M 2	Flangettes	89
833383M1	EE6	Ball	14
833452M1	NTA-4458	Thrust	77
833612M1	9103KD	Ball	14

# Index

Listed in Ascending Order by AGCO Part No.

AGCO Part No.	Manufacturer Part No.	Bearing Type	Page No.
833633M91	LM67048-90041	Tapered Roller	66
833638M1	29675	Cones	42, 59
833647M1	308	Ball	17
833717M1	B-3416	Needle Roller	72
833735M1	6203LLU/16/2A	Ball	14
833741M1	CS210LLU	Ball	21
833757M1	6305-2RS SPH	Ball	20
833766M1	52MST-ZP	Flangettes	89
833805M1	3781	Cones	40, 55
833809M3	N203KPPB2 L/C	Wide Inner Ring	26
833819M1	6202LLU/16	Ball	14
833846M1	B-168	Needle Roller	72
833847M1	LM603014	Cups	50, 63
833877M1	7488	Ball	14
833889M1	6202 RS	Ball	13
833905M1	R 14	Ball	15
833906M1	16412RS	Ball	15
833914M1	WS-1375-12	Ball	14
834014M1	BA4412Z	Needle Roller	73
834053M1	B-126	Needle Roller	71
834068M1	J-1812	Needle Roller	72
834145M1	52MS-8ZP	Flangettes	91
834163M1	CFE-2-1/4-S-1	Cam Follower	80
834198M1	RA015RRB + COL	Wide Inner Ring	25
834206M1	RA115RRB + COL	Wide Inner Ring	26
834210M1	6305 RSC4	Ball	15
834367M1	W208PPB6	Disc Harrow	31, 96
834470M1	BL308ZZNP/2A	Ball	17
834475M1	SCH1614 P	Needle Roller	72
834533M1	6306-2RS	Ball	20
834594M1	H715332	Cones	45, 64
834676M1	CS212D1V2	Ball	21
834732M1	203SZZ38	Ball	14
834738M1	62MS	Flangettes	90
834750M1	6206-RS	Ball	20
834815M1	JHM516849	Cones	44, 63
834816M1	JHM516810	Cups	50, 63
834828M1	JLM506849	Cones	44, 63
834829M1	JLM506810	Cups	50, 63
834830M1	29582	Cones	59
834830M1	4T-29582	Cones	42
834851M1	6211 NR/C3	Ball	18
834871M1	CS213D1V2	Ball	21
834950M1	JM716649	Cones	45, 64
834988M1	6308-RS1	Ball	17
835134M1	B-148	Needle Roller	71
842041M1	B-3012	Needle Roller	73
842046M1	6215-Z	Ball	19
842047M1	6018Z	Ball	19
842079M1	CS309LLU_2A	Ball	21
842117M1	307Z	Ball	16
842133M1	215-2Z/BL	Ball	19
842134M1	SCE2816	Needle Roller	73
842303M1	SBX09A47LLSC3/8AQ1	Disc Harrow	31
842303M1	W209PPB5	Disc Harrow	96
842304M1	85MS-S6	Flangettes	91
842370M1	A3544	Thrust	77
842374M1	206KRR8	Ball	16
842415M1	408	Ball	17
842434M1	6210-RS	Ball	21
842453M1	72MM-3ZP	Flangettes	92

AGCO Part No.	Manufacturer Part No.	Bearing Type	Page No.
842504M1	210RS1/MT33	Ball	18
842516M1	M6210C3	Ball	18
842529M1	6311-2NSL	Ball	21
842696M1	205KRR2	Disc Harrow	30, 95
842696M1	205KRR2C1	Ball	13
842704M1	206KRRB6	Hex Bore	95
842704M1	HPS100GPN	Disc Harrow	31
842789M1	344A	Cones	38, 52
842874M1	RA109RRB + COL	Wide Inner Ring	26
842947M1	6204-2RS-5/8	Ball	14
843032M1	J-2616	Needle Roller	73
843033M1	4T-JLM81310	Cups	51
843033M1	JLM813010	Cups	64
843035M1	4T-JLM813049	Cones	45
843035M1	JLM813049	Cones	64
843036M1	4T-LM48548A	Cones	43
843036M1	LM48548A	Cones	61
843273M1	YET 208-108CW	Wide Inner Ring	24
843276M1	SCH2216	Needle Roller	73
843277M1	BHAM1816	Needle Roller	72
843278M1	3211 C3	Ball	19
843282M1	JT-1417	Needle Roller	71
843332M1	GRA103RRB2 + COL	Wide Inner Ring	26
843383M1	RNU2209	Radial Roller	34
843387M1	G1107KRRB/COL	Wide Inner Ring	26
843473M1	51209	Ball	17
843548M1	WB216UL	Wide Inner Ring	24
843630M2	4595	Cones	40, 55
843631M2	4535	Cups	47, 55
843636M1	GRA108RRB	Pillow Blocks	83
843636M1	GRA108RRB + COL	Wide Inner Ring	27
843638M1	W208PPB5 D5	Disc Harrow	31
843680M2	526	Cones	39, 53
843681M1	522	Cups	46, 53
843686M1	RNU209FY	Radial Roller	34
843691M1	JHM720210	Cups	51, 64
843770M2	CFH1-1/4SB	Cam Follower	80
843857M1	4T-L610549	Cones	44
843857M1	L610549	Cones	63
844095M1	YET 205 100	Wide Inner Ring	26, 83
844096M1	6202 2RS\1/2	Ball	13
844165M1	DD34351	Needle Roller	72
844237M1	S204ZZ	Ball	15
844520M1	21309E	Radial Roller	35
850179M1	15113	Cones	41, 57
850181M1	24720	Cups	48, 58
850182M1	24780	Cones	41, 58
850533M1	14125A	Cones	41, 57
882554M91	3780/3720	Cones	40, 55, 67
892862M3	CT1310 ARSEDCS23	Thrust	77
893375M91	25590/25520	Cones	42, 58, 67
899377M2	MS.11.C4	Ball	15
AG012658	68462	Cones	43, 61
AG012666	68712	Cups	49, 61
AG027643	LM522548	Cones	44, 63
AG028804	JLM-714110	Cups	50
AG028804	JLM714110	Cups	63
AG059756	SYR27/16N118	Tapered Roller	83
AG132710	72212C	Cones	44, 61
AG510149	MB 2303PL	Flangettes	91
AG510343	6306-2RLD	Ball	16

# Index

Listed in Ascending Order by AGCO Part No.

AGCO Part No.	Manufacturer Part No.	Bearing Type	Page No.
AG514757	5205-A2RS	Ball	15
AG515946	FC4-25-1 1/2	Housed Units	86
AG515958	UCFL207-20E-1 1/4	Housed Units	84
AG516274	VAS-1 1/2	Pillow Blocks	83
AG516341	40MS-ZP	Flangettes	89
AG519693	48393	Cones	43, 61
AG520699	74550	Cones	44, 61
AG520700	74850	Cups	49, 61
AG523209	S20056A	Flangettes	92
AG603953	3780	Cones	40, 55
AG604447	52400A	Cones	43, 61
AG604448	52618	Cups	49, 61
AG607412	VAS-1	Pillow Blocks	83
AG610853	SY27/16TF	Pillow Blocks	83
AG705959	48290	Cones	43, 61
AG705960	48220	Cups	49, 61
AG706213	JM716610	Cups	51, 64
AG706213	JM716611	Cups	64
AG706697	HM807010	Cups	51, 64
AG706729	42381	Cones	43, 60
AG706906	65237-A	Cones	43, 61
AG706914	65500	Cups	49, 61
AG707120	HM804842	Cones	45, 64
AG707333	34300	Cones	42, 60
AG711900	64450	Cones	43, 61
AG711901	64700	Cups	49, 61
AG715302	T4CB140	Tapered Roller	68
AG721060	555S	Cones	39, 53
AG721065	552A	Cups	46, 53
AG721070	6420	Cups	47, 56
AG721071	6461A	Cones	40, 56
AS5022B	275933N	Thrust	77
B1647	6302	Ball	13
BA5014A	2879	Cones	39, 54
BB5013A	26820	Cups	48, 58
BB5014A	2820	Cones	39, 54, 56
BB5014A	4T-2820	Cups	47
CH1J-2860	6535	Cups	47, 56
CH1J-4757	6580	Cones	40, 56
CH2D-9454	H715311PW2	Cups	51, 64
CH6S-6031	M802011	Cups	51, 64
CH6S-6032	M802048	Cones	45, 64
D41621100	6207	Ball	17
D41636700	NJ2307	Radial Roller	34
E10771	3AC10-1.15/16D1V1	Ball	21
E10771	3AC10-1.15/16D1V1	Disc Harrow	31
E10771	GW210PPB2	Disc Harrow	96
EB5004	18724	Cups	48, 57
EB5026A	HM88511	Cups	50, 62
EE360	NU212	Radial Roller	34
EP5403	DC211TR4	Disc Harrow	30
EP6576	GW209PPB4	Disc Harrow	31, 96
EP6577	85MM-4GZPLZ	Flangettes	91
EP6578	G85MSB-YZP	Flangettes	91
H202719C91	7031-6V	Cam Follower	80
H458951R91	M12600LA 902A1	Cones	40
H458951R91	M12600LA902A1	Cones	56
H467146R91	P205P Z3	Ball	15
H475627R91	1630 DC	Ball	14
HA24967	BY409941	Housed Units	86
HA5019	21-BC	Cones	38, 52

AGCO Part No.	Manufacturer Part No.	Bearing Type	Page No.
HB5019	24	Cups	46
HB5019	24-BC	Cups	52
JT9201	32C	Cups	46, 52
JT9202	31-BC	Cones	38, 52
K3300	RA014RR L/C	Wide Inner Ring	24
K3538	RA103RR2 L/C	Wide Inner Ring	24
K4037	1106KRRBC1 L/C	Wide Inner Ring	25
K4438	UG228NL	Wide Inner Ring	27
K4650V	94524	Needle Roller	72
K4823	1623 DCTN	Ball	14
KB5012B	563	Cups	46, 53
KS5003	BL208NR	Ball	17
KS5016	BH-2216	Needle Roller	73
KS5022	A2469	Thrust	76
KS5030A	6007 RSJ	Ball	16
KS5031	6208ZNR	Ball	17
KS5040	T149	Thrust	76
KS5041	GB-2212	Needle Roller	73
KS5042	GB-1616	Needle Roller	72
KS5045	7712235	Needle Roller	72
KT7109A	3383	Cones	40, 55
LS5035	T88	Thrust	76
N12732	RAK 1 1/2	Pillow Blocks	83
N12979	G1106KPPB2 L/C	Wide Inner Ring	26
N14866	JLM104910	Cups	50, 62
N15337	SKF 311	Ball	18
N17294	GC1108KRRB + COL	Wide Inner Ring	26
N856695	2AH05-7/8	Ball	20
NX16030	FY508	Housed Units	86
SN1602	LM48548	Cones	43, 61
SN1603	LM48510	Cups	49, 61
SN16439	TG62MSA-5-YZP	Flangettes	90
SN1829	GW209PPB4	Disc Harrow	31
SN19429	FD209K50	Disc Harrow	31
SN2042	SBX1181LLSQ1	Disc Harrow	31
SN24A-5301	W208PPB5	Disc Harrow	31, 96
SN3061	342A	Cones	38, 52
SN3062	332	Cups	46, 52
SN3091	GW211PP25-GX	Disc Harrow	30
SN3683	LM603049	Cones	44, 63
SN3684	LM603011	Cups	50, 63
SN777	L44610	Cups	49, 60
SNDR30005	205KRRP2	Ball	14
SNDR30022	FHR208-24	Wide Inner Ring	24
SNFK311007	FD2091-1/4 SQ	Disc Harrow	31
SNRT019551	2790	Cones	39, 54
SNRT160500	HC208-24	Wide Inner Ring	27, 86
SNRT160600	HC209-28	Wide Inner Ring	27
SNRT160714	HCFS208-24	Housed Units	86
SNYYB-332	JL69310	Cups	49, 61
SNYYB-335	25590	Cones	42, 58
TG8537	14C	Cups	46, 52
V662220	LM806649/LM806610	Cones	45, 51, 64, 67
V662220	LM806649/LM806611	Cups	64
VLA9273	HM803146/HM803110	Cones	45, 64, 67
W158363A	88128 GGN	Ball	17
W20H5836	DS208TTR6	Disc Harrow	31
W20H5836	GW208PPB6	Disc Harrow	96
W237092B	1AC08-1.3/16C3	Disc Harrow	31
W237092B	W208PPB7	Disc Harrow	96
W238481B	2AS08-1.1/8D1V1	Disc Harrow	31



# Index

Listed in Ascending Order by AGCO Part No.

AGCO Part No.	Manufacturer Part No.	Bearing Type	Page No.
W238481B	GW208PPB8	Disc Harrow	96
W238482B	80MM-4GRLZ	Flangettes	91
W238483B	80MM-4GPR	Flangettes	91
W238799B	DHU1 1/8 S209	Disc Harrow	31
W238813B	FD209TTREN/3A	Disc Harrow	31
W247167B	H204RR11	Ball	14
W247647B	21FLMXYZH48AP P2	Flangettes	89
W509598E	8821	Cam Follower	80
W895350L	B-2816	Needle Roller	73
W9112410	28521	Cups	48, 59
W9112450	YEL205-014	Wide Inner Ring	25
W9112600	6017-2RS1/C3	Ball	19
W9112640	6217LLU/2A	Ball	19
W9112830	62152RSGA2	Ball	19
WKA5014	28580	Cones	42, 59
WR15441	2720	Cups	47, 54
WR15493	LM67010	Cups	49, 61
WZ277	52MM-3R(PLAIN)	Flangettes	90
WZ548	RM1115K	Disc Harrow	96
WZ6207	94828-NAH	Needle Roller	73
X11300	25581	Cones	41, 58
X14867	JLM104948	Cones	44, 62
Y50443	RA012RR + COL	Wide Inner Ring	24
Y710293	62MST-ZP	Flangettes	89

AGCO Part No.	Manufacturer Part No.	Bearing Type	Page No.
Y710392	8212TN	Ball	15
Y710434	G1104KRRB + COL	Wide Inner Ring	26
Y710434	YG220NL	Pillow Blocks	83
Y711440	G72MSB-5YZP	Flangettes	92
Y711465	G1103KRRB + COL	Wide Inner Ring	26
Y712620	G72MSA-5YZP	Flangettes	92
Y713198	RA108RRB3 + COL	Wide Inner Ring	26
Z050393	4FL56PP	Flangettes	90
Z10493	SX0361LLCS41PX1	Ball	14
Z10970	A-RL208-108D1C3	Wide Inner Ring	26, 83
Z11489	6205NR	Ball	15
Z15306	HM804846	Cones	45, 64
Z50104	7196	Cups	47, 56
Z50468	FH208-24	Wide Inner Ring	26, 86
Z50534	62MS-C1	Flangettes	90
Z50575	80MS	Flangettes	91
Z51292	YET207-104W	Housed Units	85
Z51318	RA112RRB + COL	Wide Inner Ring	26
Z51417	72MS-C1	Flangettes	90
Z51672	BCA-JELS206-104W3	Wide Inner Ring	24
Z757088	14124	Cones	41, 57
Z982374	742	Cups	47, 54



# Index

Listed in Ascending Order by Manufacturer Part Number

INDEX BY MANUFACTURER PART NO.

Manufacturer Part No.	AGCO Part No.	Bearing Type	Page No.
24	HB5019	Cups	46
80	428896	Flangettes	92
207	70058974	Ball	16
209	832333M1	Ball	17
210	72503933	Ball	18
308	833647M1	Ball	17
332	SN3062	Cups	46, 52
355	70211562	Cones	38, 52
363	832032M1	Cups	46, 52
368	831304M1	Cones	38, 52
382	70210241	Cups	46, 53
385	70211563	Cones	38, 53
387	10A7291	Cones	38, 53
395	70209894	Cones	38, 53
397	70043002	Cones	38, 53
408	842415M1	Ball	17
462	300974M1	Cones	53
472	72507599	Cups	46, 53
475	72507597	Cones	39, 53
493	6672656	Cups	53
493	7714371	Cups	46, 53
495	7714363	Cones	39, 53
497	73024650	Cones	39, 53
498	70238936	Cones	39, 53
522	843681M1	Cups	46, 53
526	843680M2	Cones	39, 53
563	KB5012B	Cups	46, 53
567	7713134	Cones	39, 53
568	103758A	Cones	39, 53
593	70053509	Cones	39, 54
594	190460M1	Cones	54
633	70937175	Cups	47, 54
643	70937174	Cones	39, 54
742	Z982374	Cups	47, 54
752	700706034	Cups	54
755	700706030	Cones	39, 54
759	700706033	Cones	39, 54
792	700715744	Cups	54
799	700715742	Cones	39, 54
1328	70242875	Cups	47, 54
1380	70800449	Cones	39, 54
2420	7446-12	Cups	47, 56
2421	70235438	Cups	47, 56
2473	70232247	Cones	40, 56
2476	7445-14	Cones	40, 56
2520	7710064	Cups	47, 54
2523	70242850	Cups	47, 54
2580	70927954	Cones	39, 54
2585	71143200	Cones	39, 54
2631	70525977	Cups	47, 54
2689	70525980	Cones	39, 54
2690	800334	Cones	39, 54
2720	70209987	Cups	47, 54
2720	WR15441	Cups	47, 54
2729	70227678	Cups	47, 54
2776	70222214	Cones	39, 54
2780	70530468	Cones	39, 54
2788	70539114	Cones	39, 54
2789	74255820	Cones	39, 54
2790	204257	Cones	39, 54
2790	SNRT019551	Cones	39, 54

Manufacturer Part No.	AGCO Part No.	Bearing Type	Page No.
2793	70929653	Cones	39, 54
2796	70240445	Cones	39, 54
2820	BB5014A	Cones	39, 54, 56
2877	70228297	Cones	39, 54, 56
2879	BA5014A	Cones	39, 54
3120	70213010	Cups	47, 54
3126	70931013	Cups	47, 55
3193	72160238	Cones	39, 55
3196	70931014	Cones	39, 55
3339	982602	Cups	47, 55
3379	982603	Cones	39, 55
3383	KT7109A	Cones	40, 55
3490	71162778	Cones	40, 55
3525	22246X	Cups	47, 55
3578	22245X	Cones	55
3579	982629	Cones	40, 55
3733	70928287	Cups	47, 55
3767	70605175	Cones	40, 55
3780	AG603953	Cones	40, 55
3781	833805M1	Cones	40, 55
3784	70253011	Cones	40, 55
3795	195162M1	Cones	40, 55
3820	71377534	Cups	47, 55
3820	3405343M91	Cups	47, 55
3821	70210012	Cups	47, 55
3875	70932843	Cones	40, 55
3876	70210011	Cones	40, 55
3877	70228297	Cones	40
3880	71377535	Cones	40, 55
3920	1905160M1	Cups	47
3920	195160M1	Cups	55
3980	3612310M1	Cones	40, 55
3982	70209905	Cones	40, 55
3984	195159M1	Cones	40, 55
4535	843631M2	Cups	47, 55
4595	843630M2	Cones	40, 55
5304	30-3022617	Ball	15
5535	70068847	Cups	47, 55
5584	70932875	Cones	40, 55
5735	982754	Cups	47, 56
5760	982755	Cones	40, 56
6007	390984X1	Ball	18
6011	391261X1	Ball	18
6013	339673X1	Ball	19
6018	1109002	Ball	19
6022	211964	Ball	19
6202	1440484X1	Ball	13
6203	70525592	Ball	14
6204	527263	Ball	15
6207	700712383	Ball	16
6207	D41621100	Ball	17
6210	391162X1	Ball	18
6215	1441169X1	Ball	19
6302	B1647	Ball	13
6304	1440506X1	Ball	15
6308	72100175	Ball	17
6310	71154852	Ball	18
6420	AG721070	Cups	47, 56
6535	72162537	Cups	47, 56
6535	CH1J-2860	Cups	47, 56
6580	CH1J-4757	Cones	40, 56

# Index

Listed in Ascending Order by Manufacturer Part No.

Manufacturer Part No.	AGCO Part No.	Bearing Type	Page No.
6977	831940M1	Cam Follower	80
7042	669533M1	Cam Follower	80
7100	50112	Cones	40, 56
7109	13851X	Ball	13
7196	Z50104	Cups	47, 56
7204	10A6714	Cups	47, 56
7488	833877M1	Ball	14
7623	581318M91	Cam Follower	80
7890	70541725	Cam Follower	80
8821	W509598E	Cam Follower	80
9074	70209925	Cones	40, 56
9081	70800186	Cones	40, 56
9121	700703796	Cups	47, 56
9185	700703797	Cones	40, 56
9195	70211897	Cups	47, 56
9196	70209984	Cups	47, 56
9321	700706029	Cups	47, 56
12175	70229044	Cones	40, 56
12303	70229045	Cups	48, 56
13620	70526975	Cups	48, 57
13621	70937210	Cups	48, 57
13685	70937209	Cones	41, 57
13686	70248357	Cones	41, 57
13687	70227846	Cones	41, 57
14120	831335M1	Cones	41, 57
14124	Z757088	Cones	41, 57
14139	74253254	Cones	41, 57
14274	70210551	Cups	48, 57
14276	70209890	Cups	48, 57
15101	70225608	Cones	41, 57
15102	72162540	Cones	41, 57
15113	850179M1	Cones	41, 57
15117	15576X	Cones	41, 57
15118	70209926	Cones	41, 57
15120	70209985	Cones	41, 57
15120	70230666	Cones	41
15126	70323297	Cones	41, 57
15245	70241380	Cups	48, 57
15250	70209983	Cups	48, 57
15523	70210116	Cups	48, 57
15578	70210117	Cones	41, 57
16013	1442381X1	Ball	19
16137	712026	Cones	41, 57
16150	70541938	Cones	41, 57
16205	1142451	Radial Roller	35
16284	70541937	Cups	48, 57
18620	983079	Cups	48, 57
18685	983080	Cones	41, 57
18690	983081	Cones	41, 57
18720	983085	Cups	48, 57
18724	EB5004	Cups	48, 57
18790	983088	Cones	41, 57
19138	658139M1	Cones	41, 58
19150	7445-45	Cones	41, 58
19268	7446-35	Cups	48, 58
22721	983119	Cups	48, 58
22778	983120	Cones	41, 58
23621	70242910	Cups	48, 58
23690	70242911	Cones	41, 58
24720	850181M1	Cups	48, 58
24780	850182M1	Cones	41, 58

Manufacturer Part No.	AGCO Part No.	Bearing Type	Page No.
25519	31-1743560	Cups	48, 58
25520	17201X	Cups	48, 58
25521	74253291	Cups	48, 58
25522	3176707M91	Cups	48, 58
25570	70225633	Cones	41, 58
25572	70929161	Cones	41, 58
25577	7713167	Cones	41, 58
25580	70210008	Cones	41, 58
25581	11300	Cones	58
25581	X11300	Cones	41, 58
25583	7445-72	Cones	42, 58
25584	74253936	Cones	42, 58
25590	SNYYB-335	Cones	42, 58
25820	15854X	Cups	48, 58
25821	712208	Cups	48, 58
25877	15853X	Cones	42, 58
25878	713586	Cones	42, 58
25880	10A21642	Cones	42, 58
26820	BB5013A	Cups	48, 58
26822	70042887	Cups	48, 58
26823	70235089	Cups	48, 58
26824	658138M1	Cups	48, 58
26878	70047751	Cones	42, 58
26882	70209899	Cones	42, 58
26884	74254984	Cones	42, 58
27687	1881931M91	Cones	42, 58
27690	1885155M91	Cones	42, 58
27820	800367	Cups	48, 59
27880	713412	Cones	42, 59
28521	W9112410	Cups	48, 59
28580	WKA5014	Cones	42, 59
28621	70244271	Cups	48, 59
28678	157168A	Cones	42, 59
28680	713156	Cones	42, 59
28920	700706038	Cups	48, 59
28921	15611	Cups	48, 59
28985	71119323	Conesr	59
28990	700706039	Cones	42, 59
28995	15612	Cones	42, 59
29360	700710378	Cups	48, 59
29520	70539112	Cups	48, 59
29521	832930M1	Cups	48, 59
29580	70929620	Cones	42, 59
29582	834830M1	Cones	59
29585	10A20106	Cones	42, 59
29590	70253499	Cones	42, 59
29675	833638M1	Cones	42, 59
30204	700006211	Cones	42, 59
30205	700001840	Cones	59
30205	700006210	Cones	42, 59
30219	1109970	Tapered Roller	68
31308	70272712	Tapered Roller	67
31309	1109992	Tapered Roller	67
31521	72160240	Cups	49, 59
31597	72160241	Cones	42, 59
32212	700726369	Tapered Roller	68
32307	390876X1	Tapered Roller	66
32308	1440636X1	Tapered Roller	67
33251	700703795	Cones	42, 59
33275	504227M1	Cones	42, 59
33287	831733M1	Cones	42, 59

INDEX BY MANUFACTURER PART NO.

# Index

Listed in Ascending Order by Manufacturer Part No.

INDEX BY MANUFACTURER  
PART NO.

Manufacturer Part No.	AGCO Part No.	Bearing Type	Page No.
33461	107610A	Cups	49, 59
33462	504226M1	Cups	49, 59
33472	700703794	Cups	49, 59
33821	70061088	Cups	49, 60
33889	70061087	Cones	42, 60
33891	70931618	Cones	42, 60
33895	74254801	Cones	42, 60
34300	AG707333	Cones	42, 60
34301	10A8440	Cones	42, 60
34306	70619872	Cones	43, 60
34478	73028644	Cups	49, 60
35176	983367	Cones	43, 60
35326	983368	Cups	49, 60
37425	1850909M91	Cones	43, 49, 60
39520	70933868	Cups	49, 60
39573	70933165	Cones	43, 60
39580	74254258	Cones	43, 60
39585	74253787	Cones	43, 60
39590	588221M2	Cones	43, 60
42381	771130M1	Cones	43, 60
42381	AG706729	Cones	43, 60
42584	833135M1	Cups	49, 60
42620	700720336	Cups	49, 60
42687	700720334	Cones	43, 60
42690	700720518	Cones	43, 60
43125	10P2421	Cones	43, 60
43312	10P2422	Cups	49, 60
45220	70073111	Cups	49, 60
45221	70659153	Cups	49, 60
45285	70080730	Cones	43, 60
45290	70073112	Cones	43, 60
45291	70244167	Cones	43, 60
47620	831894M1	Cups	49, 60
47681	983527	Cones	43, 60
47686	832590M1	Cones	43, 61
47687	983530	Cones	43, 61
48220	AG705960	Cups	49, 61
48290	AG705959	Cones	43, 61
48320	700710370	Cups	49, 61
48385	700710380	Cones	43, 61
48393	AG519693	Cones	43, 61
51110	31-1604330	Thrust	77
51209	843473M1	Ball	17
52618	AG604448	Cups	49, 61
53177	195163M1	Cones	43, 61
55200	8050676	Cones	43, 61
55437	808345	Cups	49, 61
64450	AG711900	Cones	43, 61
64700	AG711901	Cups	49, 61
65500	AG706914	Cups	49, 61
67322	7713860	Cups	49, 61
67390	71314481	Cones	43, 61
67675	70933953	Cups	49, 61
68462	AG012658	Cones	43, 61
68712	AG012666	Cups	49, 61
72487	72162245	Cups	49, 61
74550	AG520699	Cones	44, 61
74850	AG520700	Cups	49, 61
94524	K4650V	Needle Roller	72
94732	70507451	Needle Roller	72
160416	70223710	Needle Roller	72

Manufacturer Part No.	AGCO Part No.	Bearing Type	Page No.
212555	71126430	Flangettes	90, 92
488016	70800420	Ball	14
488503	70800421	Ball	14
6105621	6105621	Flangettes	90
7712235	KS5045	Needle Roller	72
41425608	744620M91	Thrust	76
90091649	1023219M3	Needle Roller	72
00-05362	4267028M1	Needle Roller	71
001NF-W220E	7487-1	Housed Units	85
001NFR-YG224N	7427-4	Housed Units	85
07000LA 902A1	51805	Tapered Roller	66
100MS-ZP	714360	Flangettes	91
100MSB-S5	664943M2	Flangettes	91
100MSB-S6	664944M2	Flangettes	91
1012KRRB + COL	50807	Wide Inner Ring	25
1014KPPB3 L/C	12007	Wide Inner Ring	25
10259-210372552	700722149	Needle Roller	71
11-BC	70228150	Cones	38, 52
1100KL + COL	70559857	Wide Inner Ring	24
1100KRR C1 L/C	12901	Wide Inner Ring	24
1100KRRB6	11407V	Wide Inner Ring	25
1102KRRB + COL	7711260	Wide Inner Ring	25
1103KRR3 C2 L/C	7713597	Wide Inner Ring	24
1103KRRB3 + COL	71308995	Wide Inner Ring	25
1106KRRB + COL	71309128	Wide Inner Ring	25
1106KRRBC1 L/C	K4037	Wide Inner Ring	25
1108KRRB + COL	71122510	Wide Inner Ring	26
1112KRRB + COL	70539158	Wide Inner Ring	26, 85
1203KRRB + COL	832455M1	Wide Inner Ring	26
1306L	71143645	Ball	16
13600LA 902A1	71127426	Cones	41
13600LA902A1	71127426	Cones	57
14123 AA	831043M1	Cones	41
14123A	831043M1	Cones	57
14123AA	831043M1	Cones	57
14125A	850533M1	Cones	41, 57
14136 AA	831133M1	Cones	41
14136A	831133M1	Cones	57
14137A	70211999	Cones	41, 57
14138A	70209889	Cones	41, 57
14C	TG8537	Cups	46, 52
15120A	70230666	Cones	57
15123/15245	1850224M91	Cones	41, 57, 66
15123/15245	3282907M1	Tapered Roller	66
16010 C3	1109182	Ball	18
1623 DCTN	K4823	Ball	14
1630 DC	H475627R91	Ball	14
16412RS	833906M1	Ball	15
1654NSTN	831484M1	Ball	16
1696721M1	1696721M1	Thrust	76
1726309 2RS1	71141190	Ball	21
1726310 2RS	71154722	Ball	21
19138/19268	1173661	Tapered Roller	66
1AC08-1.3/16C3	W237092B	Disc Harrow	31
203KRR2	3643380M1	Ball	14
203KRR5	710673	Ball	13
203NPP9	832768M1	Ball	14
203SZZ38	834732M1	Ball	14
204PY3-CX	700732970	Ball	14
204RR8 E8728	70571020	Ball	14
205KL C3	70205756	Ball	15

# Index

Listed in Ascending Order by Manufacturer Part No.

Manufacturer Part No.	AGCO Part No.	Bearing Type	Page No.
205KRR2	842696M1	Disc Harrow	30, 95
205KRR2C1	842696M1	Ball	13
205KRRB2	31-2475140	Hex Bore	95
205KRRB2 C1	31-2475140	Ball	20
205KRRP2	SNDR30005	Ball	14
206516N	30-3056295	Thrust	77
206KR7 C1	71302496	Ball	16
206KRR8	842374M1	Ball	16
206KRRB6	713172	Ball	20
206KRRB6	842704M1	Hex Bore	95
207KRR PRB	17637	Ball	20
207KRR3	71132366	Ball	16
207KRRB12	71505895	Ball	20
207KRRB12SPL	106823	Ball	21
207KRRB9	71197194	Ball	20, 95
207P Z3 FS50000	17526V	Ball	16
207PR	70212243	Ball	16
207ZJ	70210290	Ball	16
208K C2	70210027	Ball	17
208KRR4	71131910	Ball	17
208Z	195505M1	Ball	17
20SBG2209E3	70596130	Ball	13
21-BC	HA5019	Cones	38, 52
210RS1/MT33	842504M1	Ball	18
21309E	844520M1	Radial Roller	35
215-ZZ/BL	842133M1	Ball	19
215ZNR	70928286	Ball	19
215ZNR	70928286	Ball	19
21FLMXYZH48AP P2	W247647B	Flangettes	89
21FLMXZ48PP2	70592118	Flangettes	89
21FLMXZ48PP2CA	70595363	Flangettes	89
22208CCW33	71309694	Radial Roller	35
22211 E/C3	8051005	Ball	19
22211E/C3	8051005	Radial Roller	35
22213E/C3W33	700715741	Radial Roller	35
22308CJW33C3	71344496	Radial Roller	35
22315BD1C3	700138991	Radial Roller	35
225518N	72160065	Thrust	77
2256A (LB00)	72505831	Thrust	77
23030BD1C3	700706041	Radial Roller	35
2306 E-2RS1TN9	71396472	Ball	16
24-BC	HB5019	Cups	52
25590/25520	893375M91	Cones	42, 58, 67
26822A	70927959	Cups	48, 58
2735X	208285M1	Cups	47, 54
275933N	AS5022B	Thrust	77
27687/27620	1881931M91	Tapered Roller	68
27695/27620	1861106M91	Cones	42, 58, 68
2788A	10A26950	Cones	39, 54
28682/28622	1886195M91	Cones	42, 48, 59, 67
29685/29620	1860503M93	Cones	42, 49, 59, 67
2AH05-7/8	N856695	Ball	20
2AS08-1.1/8D1V1	W238481B	Disc Harrow	31
30206A	1109956	Tapered Roller	66
30206AR/30286A	4303279	Tapered Roller	66
30212A	72255674	Tapered Roller	68
30212JR	339439X1	Tapered Roller	68
30214JR	1109964	Tapered Roller	68
30217JR	72255679	Tapered Roller	68
30305A	1109977	Tapered Roller	66
30306JR	17390	Tapered Roller	66

Manufacturer Part No.	AGCO Part No.	Bearing Type	Page No.
30307A	1109979	Tapered Roller	66
30309A	1440640X1	Tapered Roller	67
30310A	1101386	Tapered Roller	67
307418 BA	4383378	Thrust	77
307438BA	4383379	Thrust	77
307Z	842117M1	Ball	16
308GS1DS	71192128	Thrust	76
309SZZ4	2759935M1	Ball	18
31-BC	JT9202	Cones	38, 52
31306A	1109989	Tapered Roller	66
31307A	1101137	Tapered Roller	66
31309J-N/31309JR-N	1440826X1	Tapered Roller	67
32007X/Q	1136482	Tapered Roller	66
32008X-VB022	4351472	Tapered Roller	67
32010X	3009853X1	Tapered Roller	67
32011 X/Q	1101597	Tapered Roller	67
32013XU	391339X1	Tapered Roller	68
32015JR	1101901	Tapered Roller	68
32016X	1137549	Tapered Roller	68
32017JR	1125783	Tapered Roller	68
32020X	30-3318206	Tapered Roller	68
3204ATN9/C3	1047513M1	Ball	15
3209A_C3	833309M1	Ball	18
3211 C3	843278M1	Ball	19
32205B-92KA1	30-3479811	Tapered Roller	66
32206J 2/Q	700712353	Tapered Roller	66
32207JR	1110001	Tapered Roller	67
32208A	1110002	Tapered Roller	67
32209 J2/Q	1101909	Tapered Roller	67
32210JR	1110003	Tapered Roller	67
32215 92KA1	700726370	Tapered Roller	68
32309 BJ2/B46	70272800	Tapered Roller	67
32C	JT9201	Cups	46, 52
3304944M1	3304944M1	Needle Roller	73
33111JR	1130692	Tapered Roller	67
33207JR	1137018	Tapered Roller	67
342A	832729M1	Cones	38, 52
342A	SN3061	Cones	38, 52
342S	10A22365	Cones	38, 52
344A	842789M1	Cones	38, 52
354A	70211608	Cups	46, 52
355A	71119313	Cones	38, 52
3578R	22245X	Cones	40
3599263M1	3599263M1	Thrust	76
35BC	72090691	Cones	38, 52
35MS	441401M1	Flangettes	90
35MST	700108622	Flangettes	89
362A	350356X1	Cups	46, 52
3647577M1	3647577M1	Needle Roller	73
368-S	70936730	Cones	38
368S	70936730	Cones	52
36X	72090692	Cups	46, 52
370A	70225110	Cones	38, 53
375,3780,3729D	70223308	Tapered Roller	67
3780/3720	882554M91	Cones	40, 55, 67
3782/3720	1851388M91	Cones	40, 55, 67
3815653M1	3815653M1	Needle Roller	73
3815690M1	3815690M1	Needle Roller	73
3816850M1	3816850M1	Thrust	76
3822RB	70257797	Cups	47, 55
382A	70212037	Cups	46, 53

INDEX BY MANUFACTURER PART NO.

# Index

Listed in Ascending Order by Manufacturer Part No.

INDEX BY MANUFACTURER  
PART NO.

Manufacturer Part No.	AGCO Part No.	Bearing Type	Page No.
382B	70254872	Cups	46, 53
383A	982080	Cups	46, 53
385A/384SW, HM807046/010	70244141	Tapered Roller	67
386A	3405342M91	Cones	38, 53
387/382	982101	Tapered Roller	68
3877A/3822RB	70241492	Tapered Roller	67
387A	72163092	Cones	38, 53
387S	35A3399	Cones	38, 53
389A	982092	Cones	38, 53
389A/384SW, HM807049/010	70246526	Tapered Roller	67
38A	72090693	Cups	46, 52
394A & 395A	72163184	Tapered Roller	68
394AS	70209897	Cups	46, 53
395A/394A	1851392M91	Cones	38, 53, 68
395LA 902A4	700710545	Cones	38
395LA902A4	700710545	Cones	53
395S/394A	3074890M1	Cones	38, 53, 68
399AS/394A	3010192X91	Cones	38, 53, 68
3AC10-1.15/16D1V1	E10771	Ball	21
3AC10-1.15/16D1V1	E10771	Disc Harrow	31
3AS11-1.1/2CN	832540M1	Disc Harrow	31
3AS11-1.1/2D1V3	70583939	Disc Harrow	31
40MS-ZP	70530811	Flangettes	90
40MS-ZP	AG516341	Flangettes	89
40MST2	553-040	Flangettes	89
40TRK39-4SB	72100765	Thrust	76
41FL64PP	700715941	Flangettes	89
42375A	70929667	Cones	43, 60
431935-C	191250M1	Radial Roller	34
4388/4335	3405249M91	Cones	40, 47, 55, 67
4388/4336	3405249M91	Conesr	55
453A	831354M1	Cups	46, 53
453X	300975M1	Cups	46, 53
462 A	195675M1	Cones	39
462A	195675M1	Cones	53
47620A	983522	Cups	49, 60
47MM-3TZP	6630376	Flangettes	90
47MM-3ZP	22632X	Flangettes	90
47MS-ZP	713800	Flangettes	90
47MST-ZP	711952	Flangettes	89
492A	70238935	Cups	46, 53
493/498	3405346M91	Tapered Roller	68
495A/493	1883279M91	Tapered Roller	68
497A	700704966	Cones	39, 53
4CB	832397M1	Cones	38, 52
4FL56PP	Z050393	Flangettes	90
4T_6	760907M1	Cups	46
4T-2820	BB5014A	Cups	47
4T-29582	834830M1	Cones	42
4T-32305	1442550X1	Tapered Roller	66
4T-33206	1104517	Tapered Roller	66
4T-3578	22245X	Cones	40, 55
4T-462	300974M1	Cones	39
4T-594	190460M1	Cones	39
4T-HM804840	833296M1	Cones	45, 64
4T-JH415647	1612560M1	Cones	44
4T-JLM508710	70933016	Cups	50
4T-JLM813049	843035M1	Cones	45
4T-JLM81310	843033M1	Cups	51
4T-L610549	843857M1	Cones	44
4T-LM48548A	843036M1	Cones	43

Manufacturer Part No.	AGCO Part No.	Bearing Type	Page No.
51105 (JB00)	390803X1	Thrust	76
5200 A2RS1TN9/C3	71391540	Ball	13
5203KCL	1173588	Ball	14
5203PP4	7714629	Ball	14
5204PP A4257	71336974	Ball	15
5205-A2RS	AG514757	Ball	15
5210 ZZ	15192	Ball	18
5211WL	70242703	Ball	19
522/529	71355352	Tapered Roller	67
52400A	AG604447	Cones	43, 61
526072A	1171646	Ball	13
52MM-3EZP	832933M1	Flangettes	90
52MM-3R(PLAIN)	WZ277	Flangettes	90
52MS-2YZP	72476313	Flangettes	90
52MS-8ZP	834145M1	Flangettes	91
52MST-ZP	833766M1	Flangettes	89
52MSTR-4YZP	71133361	Flangettes	90
552A	AG721065	Cups	46, 53
555S	AG721060	Cones	39, 53
55TMK804X	72103232	Thrust	77
56425/56650	70272746	Tapered Roller	68
592A	588242M1	Cups	46, 53
592XE	71409751	Cups	46, 54
594/593X	3383709M1	Tapered Roller	68
5948 NICE	70208875	Thrust	76
594A	71409752	Cones	39, 54
5BC	760906M1	Cones	38, 52
6002LU	3435646M1	Ball	13
6003-2RS1	6664999	Ball	14
6004 C3	526253	Ball	14
6004-2RLD	391057X1	Ball	15
6004LLUNR	70931690	Ball	14
6004LU	33-0065471	Ball	14
6005-RS1	1124697	Ball	15
60062RS	390941X1	Ball	16
6007 2RS	339800X1	Ball	16
6007 RSJ	KS5030A	Ball	16
6007-2RS2/C4LHT23	30-3065162	Ball	16
60072RS1C3	72503499	Ball	16
6007RS	3000724X1	Ball	16
6008 2RS2NR/C4P	30-3065146	Ball	17
6008 C3	1101409	Ball	17
6008.2RSR.C3.J22R	72505492	Ball	17
60082RSC4GA2	72160313	Ball	17
6008RSRC3	70928929	Ball	17
60092RSC3	700723938	Ball	17
6009NR	195498M1	Ball	17
6010-2RS1/C3GJN	106049A	Ball	18
6010C3	72310308	Ball	18
6010Z	3009388X1	Ball	18
6011 NR	71344589	Ball	18
60112RSC3	391088X1	Ball	18
60122RS	391145X1	Ball	19
6013.2RSR.C3.J22R	71160100	Ball	19
6014 C3	1108994	Ball	19
6014.2RSR.C3.J22R	70937250	Ball	19
6015 2RS1	71195913	Ball	19
6017-2RS1/C3	W9112600	Ball	19
6018Z	842047M1	Ball	19
6020-2RS1	700717727	Ball	19
60622VBF00	74507158	Ball	13

# Index

Listed in Ascending Order by Manufacturer Part No.

Manufacturer Part No.	AGCO Part No.	Bearing Type	Page No.
608LLU/5C	700706189	Ball	13
608LU	700706189	Ball	13
60TMK20	33-0052221	Thrust	77
62/32	72098661	Ball	16
6201LLBC3/2A	642239M1	Ball	13
6202 2RS\1/2	844096M1	Ball	13
6202 RS	833889M1	Ball	13
6202-2RLD-C3	339932X1	Ball	13
6202-2Z/C3GJN	103300A	Ball	13
6202LLU/16	833819M1	Ball	14
6203 2RS1C3	828123M2	Ball	14
6203-ZZ	828123N1	Ball	14
6203LLU/16/2A	833735M1	Ball	14
6203LLUC4/5C	10473	Ball	14
6203ZZ	1440492X1	Ball	14
6204-2RS-5/8	842947M1	Ball	14
6204-RS	832686M1	Ball	15
6204-RSH/C3	74044212	Ball	15
6204LLUC3/2AS	72438724	Ball	15
6204NR	72100841	Ball	15
6204Z	1440489X1	Ball	15
6205 2RS C-4	832778M1	Ball	15
6205 2RS C3 Z14	72416427	Ball	15
6205-RLD	353067X1	Ball	15
6205-Z/C3	1109048	Ball	15
6205/C3	1109045	Ball	15
6205LLBNR/2AS	72100764V	Ball	15
6205NR	Z11489	Ball	15
6206 2RS C3 Z14	1109055	Ball	16
6206 NRC3	71131263	Ball	16
6206-2RS	831087M1	Ball	20
6206-RS	834750M1	Ball	20
6206-RS1/C3	1442074X1	Ball	16
6206C3	1174298	Ball	16
6206C3	1440494X1	Ball	16
6207-2RS1	114093M1	Ball	16
6207-2Z/C3	104089W1	Ball	16
6207.C3.J22R	1109058	Ball	16
6207NR	72097938	Ball	16
6208 C3	70528519	Ball	17
6208-2RS1TN9/C3VE167	700726228	Ball	17
6208-RS	71118304	Ball	17
6208C3	72614549	Ball	17
6208NR	395568X1	Ball	17
6208ZNR	KS5031	Ball	17
6209 NR C3	71120308	Ball	17
6209-2RS1C3	1138480	Ball	18
6209-RS1/C3	71145314	Ball	18
6209C3	72310314	Ball	18
6209NR	707636	Ball	18
6210 2RSGA2	72340100	Ball	18
6210 ZNBR	1675274M1	Ball	18
6210 ZNR	70223712	Ball	18
6210-2RS-C3	17522	Ball	18
6210-RS	842434M1	Ball	21
6210-RS1/C3	71117404	Ball	18
62102RS1VE391	71335182	Ball	18
6210C3.J22R	1109073	Ball	18
6210LUNRSC3/3A	71169762	Ball	18
6210NRC3	70224837	Ball	18
6210RS	3003258X1	Ball	18

Manufacturer Part No.	AGCO Part No.	Bearing Type	Page No.
6210ZNBR	3008252X1	Ball	18
6211 NR/C3	834851M1	Ball	18
6211-2RS1C3	71179458	Ball	19
6211-Z	195507M1	Ball	18
6211C3	72310315	Ball	18
6212 2RS1	71363435	Ball	19
6212-NR	165971A	Ball	19
6212C3	3734221M1	Ball	19
6212ZC3	1051469M1	Ball	19
6213-2RS1	71370205	Ball	19
6215-Z	842046M1	Ball	19
62152RSGA2	W9112830	Ball	19
6217 Z3C/2A	832316M1	Ball	19
6217LLU/2A	W9112640	Ball	19
62208 2RS1C3	72090062	Ball	17
62M-2ZP	831982M1	Flangettes	89
62MS	834738M1	Flangettes	90
62MS-19YZP	71369864	Flangettes	92
62MS-C1	Z50534	Flangettes	90
62MST-ZP	Y710293	Flangettes	89
6302-2RS1	3435718M1	Ball	13
6303-C3 Z14	74253868	Ball	14
6303LLUC3/5C	71135350	Ball	14
6304.2RSR.C3.J22R	1136432	Ball	15
6304LU	74044210	Ball	15
6305 RSC4	834210M1	Ball	15
6305-2RS C3	72438620	Ball	15
6305-2RS SPH	833757M1	Ball	20
6305-RS1	832305M1	Ball	15
6305/C3	70067916	Ball	15
63052RSC3GA2	1139002	Ball	15
6305RS	1139002	Ball	15
6306 NRJ	70097088	Ball	16
6306-2RLD	AG510343	Ball	16
6306-2RS	834533M1	Ball	20
6306-2RS C3	72437473	Ball	16
6306C3	1122281	Ball	16
6307 2RS	354920X1	Ball	17
6307C3	2389930	Ball	17
6307NR	1440559X1	Ball	17
6308 2RS/C3	832982M1	Ball	17
6308 2RS1NTN9/C4	700718362	Ball	17
6308-2RS	31-1588410	Ball	21
6308-RS1	834988M1	Ball	17
6309-2RS1C3	700721594	Ball	17
6309C3	3734275M1	Ball	17
6309N/C3	1109136	Ball	17
6310-2RS	71195912	Ball	18
6311-2NSL	842529M1	Ball	21
6311-2RS1/C3	71340495	Ball	19
6311-2RS1/C3GJN	71398331	Ball	18
6313C3	72090065	Ball	19
6461A	AG721071	Cones	40, 56
65237-A	AG706906	Cones	43, 61
6559C	70930869	Cones	40, 56
6559C/6535	72162537	Tapered Roller	68
6901P	700736566	Cam Follower	80
6CE	760907M1	Cups	46, 52
7031-6V	H202719C91	Cam Follower	80
72 M 2	833349M1	Flangettes	89
72- Special	163733	Flangettes	90, 92

INDEX BY MANUFACTURER PART NO.

# Index

Listed in Ascending Order by Manufacturer Part No.

INDEX BY MANUFACTURER  
PART NO.

Manufacturer Part No.	AGCO Part No.	Bearing Type	Page No.
72212C	AG132710	Cones	44, 61
72274VTE86	1703792	Cam Follower	80
72527583 SPECIAL	72527583	Housed Units	86
72MM-3ZP	842453M1	Flangettes	92
72MS-15YZP	71370634	Flangettes	92
72MS-2YZP	700717509	Flangettes	90
72MS-6	712612B	Flangettes	92
72MS-C1	Z51417	Flangettes	90
72MS-ZP	71370130	Flangettes	90
74600-150	7035777	Needle Roller	71
750A	982384	Cones	39, 54
7811E	700705612	Cam Follower	80
7A	70207570	Cups	52
7AS11-1.1/2D1V2	70594491	Disc Harrow	30
7AS11-1.1/2V1	1905678M1	Disc Harrow	30
80MM	70569556	Flangettes	91
80MM-4 ZP	831781M1	Flangettes	92
80MM-4GPR	W238483B	Flangettes	91
80MM-4GRLZ	W238482B	Flangettes	91
80MS	Z50575	Flangettes	91
80MSA	70586145	Flangettes	91
8212TN	Y710392	Ball	15
83A551B	72161843	Radial Roller	34
85MM-4GZPLZ	EP6577	Flangettes	91
85MS-S6	842304M1	Flangettes	91
88107 2RR4C3 GA2	71324230	Ball	16
88128 GGN	W158363A	Ball	17
88506A	832628M1	Ball	16
9067/9195	150662M11	Cones	40, 56, 66
90MS-YZP	713958	Flangettes	91
9103KD	833612M1	Ball	14
93524NA	71114824	Needle Roller	72
9386H	700706027	Cones	40, 56
94628NA	832719M1	Needle Roller	72
94828-NAH	WZ6207	Needle Roller	73
A-2194	1751676M1	Thrust	76
A-2336-147	833085M2	Thrust	77
A-2469-3	100565A	Thrust	76
A-2526-11	30-3056287	Thrust	77
A-2583-47	833081M1	Thrust	77
A-3552	256179M1	Thrust	77
A-712	1692590M1	Radial Roller	34
A-RL208-108D1C3	Z10970	Wide Inner Ring	26, 83
A0801	70204829	Thrust	77
A0899-2	71131262	Thrust	76
A0899-3	74253527	Thrust	76
A2256_31	831788M1	Thrust	77
A2256-1	70235079	Thrust	77
A2469	KS5022	Thrust	76
A3544	842370M1	Thrust	77
A3560-25	30-3056309	Thrust	77
A3803	72160033	Thrust	77
AELPF205-100W3	79027277	Flangettes	90
AELS206-103-NW3	6660460	Wide Inner Ring	24
B-108	1000251M1	Needle Roller	71
B-1210-OH	195196M1	Needle Roller	71
B-1212	195513M1	Needle Roller	71
B-1212-OH	832339M1	Needle Roller	71
B-126	834053M1	Needle Roller	71
B-128	831529M1	Needle Roller	71
B-1416-OH	74253262	Needle Roller	71

Manufacturer Part No.	AGCO Part No.	Bearing Type	Page No.
B-146	156568A	Needle Roller	71
B-148	835134M1	Needle Roller	71
B-1616-OH	8050536	Needle Roller	71
B-168	833846M1	Needle Roller	72
B-1710	832804M1	Needle Roller	72
B-1816	831244M1	Needle Roller	72
B-188	831411M1	Needle Roller	72
B-2012-OH	833083M1	Needle Roller	72
B-2016	831224M1	Needle Roller	72
B-2020-OH	700705429	Needle Roller	72
B-228	70255693	Needle Roller	72
B-2416-OH	72161722	Needle Roller	73
B-2420	831415M1	Needle Roller	73
B-248	70932891	Needle Roller	73
B-2610	167751A	Needle Roller	73
B-2816	W895350L	Needle Roller	73
B-3012	842041M1	Needle Roller	73
B-3216	831220M1	Needle Roller	73
B-328	1611064M1	Needle Roller	73
B-3416	833717M1	Needle Roller	72
B-3424-DOH	7458-6	Needle Roller	73
B-348	1612725M1	Needle Roller	73
B-3620	833193M1	Needle Roller	73
B-86	832487M1	Needle Roller	71
B-88	831535M1	Needle Roller	71
B/P 12904	71378740	Housed Units	86
B24-L	7710262	Thrust	76
BA 4420 Z	831246M2	Needle Roller	73
BA2416ZOH	833260M1	Needle Roller	73
BA4412Z	834014M1	Needle Roller	73
BA4416	831296M1	Needle Roller	73
BAH-0013	700714310	Radial Roller	35
BAM-2012	831231M1	Needle Roller	72
BBY-5549	71126056	Ball	14
BCA-JELS206-104W3	Z51672	Wide Inner Ring	24
BD35-12DU8A	3910739	Ball	16
BH-2216	KS5016	Needle Roller	73
BHAM1816	843277M1	Needle Roller	72
BHTM3030-OH	3613200M1	Needle Roller	72
BL208NR	KS5003	Ball	17
BL211ZNRC3	70231175	Ball	18
BL308ZNP/2A	834470M1	Ball	17
BS221177	1A60065	Pillow Blocks	83
BS221261L1	11407V	Ball	20
BT1B332986Q	4353209	Tapered Roller	67
BY409941	HA24967	Housed Units	86
C202616	70246398	Needle Roller	72
C222820	157488A	Needle Roller	73
CBK 287A	196167M1	Thrust	76
CCFH-1-S-1	31-2551220	Cam Follower	80
CCFH21/2SB	700703946	Cam Follower	80
CCFHL21/2SB1	6565139	Cam Follower	80
CF-1-S-56	31-1825200	Cam Follower	80
CF13/4-S	700710526	Cam Follower	80
CFE-2-1/4-S-1	834163M1	Cam Follower	80
CFH1-1/4SB	843770M2	Cam Follower	80
CFH13/4S	700711707	Cam Follower	80
CFH2S	7713837	Cam Follower	80
CFL11/4SB	8050866	Cam Follower	80
CR-1-1/4-XC	17323	Cam Follower	80
CR-10	70271515	Cam Follower	80



# Index

Listed in Ascending Order by Manufacturer Part No.

Manufacturer Part No.	AGCO Part No.	Bearing Type	Page No.
CRS-26	710426	Cam Follower	80
CS203LLU	832009M1	Ball	20
CS204LLU	353152X1	Ball	20
CS205LLU	831112M1	Ball	20
CS207LLU	831822M1	Ball	20
CS208LLU	832087M1	Ball	20
CS209LLU	831134M1	Ball	21
CS210LLU	833741M1	Ball	21
CS212D1V2	834676M1	Ball	21
CS213D1V2	834871M1	Ball	21
CS307LLU	831861M1	Ball	20
CS309LLU_2A	842079M1	Ball	21
CS3574X6	50377	Ball	13
CT1310 ARSEDCS23	892862M3	Thrust	77
CT55B L1GUN	3702563M1	Thrust	77
CTS64SA	3700527M1	Thrust	77
CYR-11/4-S	7714868	Cam Follower	80
D3300-13DSI	71141240	Ball	19
DAC1640442RSL	854003	Ball	14
DC211TTR4	EP5403	Disc Harrow	30
DD34351	844165M1	Needle Roller	72
DF0109LLPX1/L65701	700720050	Cam Follower	80
DF0654LLUC4/5C	700709106	Ball	16
DHU1 1/8 S209	W238799B	Disc Harrow	31
DS208TT12B	447899M1	Disc Harrow	31
DS208TTR6	W20H5836	Disc Harrow	31
DS209TT4	34-0103	Disc Harrow	31
E-9	15699	Thrust	76
EE3S Z	71158140	Ball	13
EE6	833383M1	Ball	14
EX10529	1261539	Thrust	77
F7ZZ-7548-AA	6656237	Thrust	76
FA-17934	831263M1	Thrust	76
FA-22886-R	185379M1	Thrust	76
FC4-25-1 1/2	AG515946	Housed Units	86
FD2091-1/4 SQ	SNFK311007	Disc Harrow	31
FD209K50	SN19429	Disc Harrow	31
FD209TTREN/3A	W238813B	Disc Harrow	31
FH207-22-AP	700708091	Wide Inner Ring	25, 85
FH207-22-XO- AP	700708091	Pillow Blocks	83
FH208-24	Z50468	Wide Inner Ring	26, 86
FHR208-24	SNDR30022	Wide Inner Ring	24
FLU210D1V50	700748960	Housed Units	84
FRW222E	714154	Housed Units	85
FY508	NX16030	Housed Units	86
G0117M7126C	1177126	Needle Roller	73
G0117M7127C	1177127	Needle Roller	73
G100MSA-2ZP	70583925	Flangettes	91
G100MSB-ZP	70583924	Flangettes	91
G1103KRRB + COL	Y711465	Wide Inner Ring	26
G1103KRRB3	7745-17	Wide Inner Ring	26
G1104KRRB + COL	Y710434	Wide Inner Ring	26
G1106KPPB2 L/C	N12979	Wide Inner Ring	26
G1107KRRB/COL	843387M1	Wide Inner Ring	26
G1115KRRB	22602X	Housed Units	84
G1115KRRB + COL	22602X	Wide Inner Ring	27
G1211KRRB + COL	15862V	Wide Inner Ring	27
G62MSA-6ZP	71307584	Flangettes	90
G62MSB-3ZP	71307583	Flangettes	90
G72MSA-5YZP	Y712620	Flangettes	92
G72MSB-5YZP	Y711440	Flangettes	92

Manufacturer Part No.	AGCO Part No.	Bearing Type	Page No.
G80MSA	70586144	Flangettes	91
G80MSB-6YZP	290237	Flangettes	91
G85MSA-S7	664837M91	Flangettes	91
G85MSB-YZP	EP6578	Flangettes	91
G90MSA-YZP	700721325	Flangettes	91
G90MSB-YZP	700721326	Flangettes	91
GB-1616	KS5042	Needle Roller	72
GB-2212	KS5041	Needle Roller	73
GC1108KRRB + COL	N17294	Wide Inner Ring	26
GC1112KRRB + COL	7710015	Wide Inner Ring	27
GE40KRRB	036308P1	Housed Units	84
GE40KRRB + COL	036308P1	Wide Inner Ring	27
GR 36 N	104565A	Needle Roller	73
GRA103RRB2 + COL	843332M1	Wide Inner Ring	26
GRA108RRB	843636M1	Pillow Blocks	83
GRA108RRB + COL	843636M1	Wide Inner Ring	27
GRA200RRB + COL	700736727	Wide Inner Ring	27
GRAE30RRB + COL	1142452	Wide Inner Ring	26
GW208PPB29	70586143	Ball	20, 31
GW208PPB5	1905667M1	Disc Harrow	96
GW208PPB6	W20H5836	Disc Harrow	96
GW208PPB8	W238481B	Disc Harrow	96
GW209PP5	70596130	Disc Harrow	30
GW209PPB11	8050056	Disc Harrow	96
GW209PPB11 PRB	8050056	Disc Harrow	31
GW209PPB2	1905682M1	Disc Harrow	96
GW209PPB4	EP6576	Disc Harrow	31, 96
GW209PPB4	SN1829	Disc Harrow	31
GW209PPB5	70589573	Ball	21, 31
GW210PP4	1905677M1	Disc Harrow	96
GW210PPB2	E10771	Disc Harrow	96
GW211PP17	3634465M1	Disc Harrow	30
GW211PP25-GX	SN3091	Disc Harrow	30
GW211PP3	1905679M1	Disc Harrow	96
GW211PPB2	1905683M1	Disc Harrow	31, 96
GW211PPB3	70583939	Disc Harrow	96
GW211PPB9	1905681M1	Disc Harrow	96
H204RR11	W247167B	Ball	14
H715311	833051M1	Cups	51, 64
H715311A	984264	Cups	51, 64
H715311PW2	CH2D-9454	Cups	51, 64
H715332	834594M1	Cones	45, 64
HC207-22-AP	712307	Housed Units	86
HC207-22-XO-AP	712307	Wide Inner Ring	26
HC208-24	SNRT160500	Wide Inner Ring	27, 86
HC209-28	SNRT160600	Wide Inner Ring	27
HCFS208-24	SNRT160714	Housed Units	86
HH506311/HH5063	984151	Tapered Roller	67
HJ-142212	1021790M1	Needle Roller	71
HJ-223016	101692A	Needle Roller	73
HJ-223020	713727	Needle Roller	73
HJ-243320-RS	700719447	Needle Roller	73
HK2516	3020679M1	Needle Roller	71
HK303712	1610217M1	Needle Roller	72
HM212010	70680631	Cups	50, 62
HM212011	70634567	Cups	50, 62
HM212046	70087027	Cones	44, 62
HM212049	70931012	Cones	44, 62
HM218210	700710375	Cups	50, 62
HM218238	72162346	Cones	44, 62
HM218248	70928056	Cones	44, 62

INDEX BY MANUFACTURER PART NO.

# Index

Listed in Ascending Order by Manufacturer Part No.

INDEX BY MANUFACTURER  
PART NO.

Manufacturer Part No.	AGCO Part No.	Bearing Type	Page No.
HM516410	70633711	Cups	50, 63
HM516448	70929726	Cones	44, 63
HM801310	70932975	Cups	51, 64
HM801346	72162895	Cones	45, 64
HM803110	71160044	Cups	51, 64
HM803111/HM803149	984323	Tapered Roller	67
HM803146/HM803110	VLA9273	Cones	45, 64, 67
HM803149	70929834	Cones	45, 64
HM804810	831047M1	Cups	51, 64
HM804842	AG707120	Cones	45, 64
HM804846	Z15306	Cones	45, 64
HM804848	7445-29	Cones	45, 64
HM804849	984335	Cones	45, 64
HM807010	AG706697	Cups	51, 64
HM807011	70930427	Cups	51, 64
HM807046	70934840	Cones	45, 64
HM88510	831486M1	Cups	50, 62
HM88511	EB5026A	Cups	50, 62
HM88542	831487M1	Cones	44, 62
HM88610	7710106	Cups	50, 62
HM88649	7710114	Cones	44, 62
HM89410	212609M1	Cups	50, 62
HM89411	70244195	Cups	50, 62
HM89446	70244162	Cones	44, 62
HM89449	70927953	Cones	44, 62
HM903210	1850090M92	Cups	51, 65
HM903210/HM903249	1850090M92	Tapered Roller	67
HM903249	1850090M92	Cones	45, 65
HM903249 90013	30-3214613	Tapered Roller	67
HP93316 R1	71166366	Needle Roller	71
HP93416NA	71139943	Needle Roller	71
HPS100GPN	842704M1	Disc Harrow	31
HT90MS-4ZP	700703236	Flangettes	92
IR-1224	8050544	Needle Roller	71
J-1812	834068M1	Needle Roller	72
J-2616	843032M1	Needle Roller	73
J-3016	71189834	Needle Roller	73
J-3616	30-3088847	Needle Roller	73
J32-1632	70223710	Needle Roller	72
J32-1640	70211537	Needle Roller	72
J7134	70250333	Needle Roller	72
JEL207D1	6215759	Wide Inner Ring	26
JH 1616	70560985	Needle Roller	72
JH-2016-D	833246M1	Needle Roller	72
JH211710	70928069	Cups	50, 62
JH211749	70928064	Cones	44, 62
JH307710	70931024	Cups	50, 62
JH307749	70931025	Cones	44, 62
JH415610	1612561M1	Cups	50, 63
JH415647	1612560M1	Tapered Roller	63
JHM516810	834816M1	Cups	50, 63
JHM516849	834815M1	Cones	44, 63
JHM522610	700715745	Cups	50, 63
JHM522649	700715743	Cones	44, 63
JHM720210	843691M1	Cups	51, 64
JHM720249	700729052	Cones	45, 64
JHT-2213	31-1572030	Needle Roller	73
JHTT-1618-OH	71309975	Needle Roller	72
JL69310	70582091	Cups	49, 61
JL69310	SNYYB-332	Cups	49, 61
JL69349	70582092	Cones	43, 61

Manufacturer Part No.	AGCO Part No.	Bearing Type	Page No.
JLM-714110	AG028804	Cups	50
JLM104910	N14866	Cups	50, 62
JLM104910/JLM104948	72162531	Tapered Roller	67
JLM104948	X14867	Cones	44, 62
JLM506810	834829M1	Cups	50, 63
JLM506849	834828M1	Cones	44, 63
JLM506849A	700723853	Cones	44, 63
JLM508710	70933016	Cups	63
JLM508748	70933017	Cones	44, 63
JLM710910	70930426	Cups	50, 63
JLM710949C	70930424	Cones	45, 63
JLM714110	3764595M1	Cones	45, 50, 63
JLM714110	AG028804	Cups	63
JLM813010	843033M1	Cups	64
JLM813010/JLM813049	981095	Tapered Roller	68
JLM813049	843035M1	Cones	64
JM205110	71162782	Cups	50, 62
JM205149	71162781	Cones	44, 62
JM205149/JM205110	72162619	Tapered Roller	67
JM207010	70928285	Cups	50, 62
JM207049	70928284	Cones	44, 62
JM511910	70929396	Cups	50, 63
JM511910/JM511946	72162620	Tapered Roller	68
JM511946	70929399	Cones	44, 63
JM515610	70927348	Cups	50, 63
JM515649	70927347	Cones	44, 63
JM612910	71162723	Cups	50, 63
JM612949	71162724	Cones	44, 63
JM714210	70930883	Cups	50, 64
JM714210/JM714249	1214887	Tapered Roller	68
JM714249	70930884	Cups	45, 64
JM716610	AG706213	Cups	51, 64
JM716611	AG706213	Cups	64
JM716648	4336119	Cones	45, 64
JM716649	834950M1	Cones	45, 64
JM719113	70937180	Cups	51, 64
JM719149	70937181	Cones	45, 64
JM720210	700703800	Cups	51, 64
JM720249	700703802	Cones	45, 64
JM822010	70927349	Cups	51, 65
JM822049	70927350	Cones	45, 65
JT-1417	843282M1	Needle Roller	71
JT-2013	1574600W1	Needle Roller	72
JTT1414	15196	Needle Roller	71
K25x31x21H	3814488M2	Needle Roller	71
K3420	71162777	Cups	47, 55
K50X55X20H	72161792	Needle Roller	73
K55X63X25A	3613762M1	Needle Roller	73
K85624	12349	Cups	56
KINEX 6006	339065X1	Ball	16
KP12A-A2365	71307332	Ball	14
KSP10FS160	8050601	Ball	14
L319210	72163082	Cups	50, 62
L319210/L319249	72163082	Tapered Roller	68
L319249	72163082	Cones	44, 63
L44600LA	71326257	Cones	43, 60
L44600LA-902A1	71326257	Tapered Roller	66
L44600LA-902A7	700710419	Tapered Roller	66
L44610	832190M1	Cups	49, 60
L44610	SN777	Cups	49, 60
L44643	70341230	Cones	43, 60

# Index

Listed in Ascending Order by Manufacturer Part No.

Manufacturer Part No.	AGCO Part No.	Bearing Type	Page No.
L44643 ASY90025	70926704	Tapered Roller	66
L44649	70937219	Cones	43, 60
L610549	843857M1	Cones	63
L68111	700717117	Cups	49, 61
L68149	700717118	Cones	43, 61
L814710	70927957	Cups	51, 64
L814749	70927949	Cones	45, 65
LM102910	70927273	Cups	50, 62
LM102949	70927270	Cones	44, 62
LM104911	70932928	Cups	50, 62
LM104912	70929740	Cups	50, 62
LM104949	70929742	Cones	44, 62
LM11710	70336914	Cups	47, 56
LM11749	70336915	Cones	40, 56
LM11900LA 902A1	711044	Cones	40
LM11900LA 902A1/LM11910	71179958	Tapered Roller	67
LM11900LA902A1	711044	Cones	56
LM11910	70328002	Cups	48, 56
LM11949	831055M1	Cones	40, 56
LM11949 ASSY 90013	2513850W91	Tapered Roller	66
LM12749	70927437	Cones	41, 56
LM29700LA 902A1	15871	Cones	42
LM29700LA902A1	15871	Cones	59
LM29710	70555360	Cups	49, 59
LM29749	70555361	Cones	42, 59
LM29749ASY90013	74357289	Tapered Roller	67
LM48500LA 902A1	70926702	Cones	43
LM48500LA902A1	70926702	Cones	61
LM48510	70227666	Cups	49, 61
LM48510	SN1603	Cups	49, 61
LM48548	SN1602	Cones	43, 61
LM48548-90038	700706124	Tapered Roller	66
LM48548A	843036M1	Cones	61
LM501310	74254699	Cups	50, 63
LM501349	74254700	Cones	44, 63
LM522548	AG027643	Cones	44, 63
LM545849	556999D1	Cones	44, 63
LM603011	833094M1	Cups	50, 63
LM603012	SN3684	Cups	50, 63
LM603012	70937206	Cups	50, 63
LM603014	833847M1	Cups	50, 63
LM603049	833095M1	Cones	44, 63
LM603049	SN3683	Cones	44, 63
LM613410	70240289	Cups	50, 63
LM613449	70240364	Cones	44, 63
LM67000LA 902A1	70531251	Cones	43
LM67000LA902A1	70531251	Cones	61
LM67010	711242	Cups	49, 61
LM67010	WR15493	Cups	49, 61
LM67048	711507	Cones	43, 61
LM67048-90041	833633M91	Tapered Roller	66
LM806649/LM806610	V662220	Cones	45, 51, 64, 67
LM806649/LM806611	V662220	Cups	64
LM814810	833242M1	Cups	51, 65
LM814849	833241M1	Cones	45, 65
LR201RRU	6215029	Tapered Roller	66
M-14161	72162233	Needle Roller	71
M-20201	832261M1	Needle Roller	72
M1211EL	72160419	Radial Roller	34
M12600LA 902A1	H458951R91	Cones	40
M12600LA902A1	H458951R91	Cones	56

Manufacturer Part No.	AGCO Part No.	Bearing Type	Page No.
M12610	70228153	Cups	48, 56
M12649	70228152	Cones	41, 56
M1309EL	72160722	Radial Roller	34
M201047	4303274	Cones	44, 62
M6210C3	842516M1	Ball	18
M6306	832334M1	Ball	16
M802011	CH6S-6031	Cups	51, 64
M802048	CH6S-6032	Cones	45, 64
M804010	70937162	Cups	51, 64
M804010/M804049	72162623	Tapered Roller	67
M804049	70937161	Cones	45, 64
M84510	8050262	Cups	50, 62
M84548	8050270	Cones	44, 62
M86649/M86610	3310930M91	Cones	44, 50, 62, 66
M86649/M86611	3310930M91	Cones	62
M88010	832927M1	Cups	50, 62
M88048	832926M1	Cones	44, 62
MB 2303PL	AG510149	Flangettes	91
MCGILL#PCR-3-1	8050874	Cam Follower	80
MH-20161-D	832776M1	Needle Roller	72
MH-20201	15485	Needle Roller	72
MR-20	105434A	Needle Roller	72
MS.11.C4	899377M2	Ball	15
MU1205TV	8050635	Radial Roller	34
MU1209TV	72160729	Radial Roller	34
N108KRRB + COL	712539	Wide Inner Ring	26
N203KPPB2 L/C	833809M3	Wide Inner Ring	26
NAG#4906	3282159M1	Needle Roller	71
NJ208ECP3	1274034	Radial Roller	34
NJ2307	D41636700	Radial Roller	34
NJ307E.TVP2.C3	1101814	Radial Roller	34
NJ309	3003369X1	Radial Roller	34
NTA-1423	831200M1	Thrust	76
NTA-2233	71166945	Thrust	76
NTA-3648	10A8381	Thrust	77
NTA-3650	103751A	Thrust	77
NTA-4052	71173723	Thrust	77
NTA-4458	833452M1	Thrust	77
NTA-5266	71159478	Thrust	77
NTA-6074	71161396	Thrust	77
NTC-1427	832814M1	Thrust	76
NTH-4066	168208A	Thrust	77
NU1007ECP	3387381M1	Radial Roller	34
NU205E	74255338	Radial Roller	34
NU207C3	3734345M1	Radial Roller	34
NU212	EE360	Radial Roller	34
NU303ECP	70211700	Radial Roller	34
NUP-211	3003372X1	Radial Roller	34
NUP2203E.TVP2	72094326	Radial Roller	34
P-B22428H	7494-5	Pillow Blocks	83
P-B22447H	7494-7	Pillow Blocks	83
P200PP Z10	700707402	Ball	13
P205P Z3	H467146R91	Ball	15
P3-Y228N	7738-16	Pillow Blocks	83
P304K Z5	70804501	Ball	15
P3Y220N	7738-6	Pillow Blocks	83
PE-B22439H	7494-6	Pillow Blocks	83
PL3W224U	7738-14	Pillow Blocks	83
R 14	833905M1	Ball	15
RA008RRB + COL	552-008	Wide Inner Ring	25
RA012RR + COL	Y50443	Wide Inner Ring	24

INDEX BY MANUFACTURER PART NO.

# Index

Listed in Ascending Order by Manufacturer Part No.

INDEX BY MANUFACTURER  
PART NO.

Manufacturer Part No.	AGCO Part No.	Bearing Type	Page No.
RA012RRB + COL	353114X1	Wide Inner Ring	25
RA014RR L/C	K3300	Wide Inner Ring	24
RA100RR + COL	70547628	Wide Inner Ring	24
RA102RR + COL	70590610	Wide Inner Ring	24
RA102RRB	70590709	Housed Units	84
RA102RRB + COL	70590709	Wide Inner Ring	25
RA102RRB L/C	70590704	Wide Inner Ring	25
RA103RR2 L/C	K3538	Wide Inner Ring	24
RA104RR L/C	710871	Wide Inner Ring	24
RA104RRB L/C	10033	Wide Inner Ring	25
RA106RR + COL	51813	Wide Inner Ring	24
RA106RR L/C	8050080	Wide Inner Ring	24
RA107RRB + COL	70547444	Wide Inner Ring	25
RA108RR L/C	700739515	Wide Inner Ring	24
RA108RRB3 + COL	Y713198	Wide Inner Ring	26
RA109RRB + COL	842874M1	Wide Inner Ring	26
RA110RRB/COL	832746M1	Wide Inner Ring	26
RA112RR + COL	7711294	Wide Inner Ring	24
RA112RRB + COL	Z51318	Wide Inner Ring	26
RA114RRB + COL	71138465	Wide Inner Ring	26
RA115RRB + COL	834206M1	Wide Inner Ring	26
RA115RRB2 + COL	712943	Wide Inner Ring	26
RA200RRB + COL	712158	Wide Inner Ring	26
RA203RR L/C	700710914	Wide Inner Ring	24
RA203RRB + COL	700704263	Wide Inner Ring	26
RAE40RRB + COL	700709619	Wide Inner Ring	26
RAK 1 1/2	N12732	Pillow Blocks	83
RAO15RRB + COL	834198M1	Wide Inner Ring	25
RCJ1 15/16	270823	Housed Units	86
RCJT40	3787856M1	Housed Units	84
RFC1 3/4 L/C	71197421	Housed Units	86
RFDR1 3/4	700717917	Housed Units	85
RFTD1 1/4	700719343	Housed Units	84
RM1115K	WZ548	Disc Harrow	96
RMS92RKMC4	3760514M1	Ball	15
RNU-405	1612707M1	Radial Roller	34
RNU209FY	843686M1	Radial Roller	34
RNU2209	843383M1	Radial Roller	34
RYLE 212	72161859	Ball	21
S13R	20-0007597	Ball	17
S20056A	AG523209	Flangettes	92
S204ZZ	844237M1	Ball	15
SB-22315-SS	8050593	Radial Roller	34
SBX06A59LLXQ1	70536147	Ball	20
SBX07A42LLMC3Q1	713834	Ball	20
SBX0838	831778M1	Wide Inner Ring	26
SBX09A47LLSC3/8AQ1	842303M1	Disc Harrow	31
SBX1173LLSQ1	79033107	Ball	13
SBX1181LLSQ1	SN2042	Disc Harrow	31
SBX1184LLSQ1	70406677	Ball	13, 30
SC0228LLU	1070411M1	Ball	14
SC0228LLUC3	6610653	Ball	14
SCE1616PP	552-500	Needle Roller	72
SCE228	195453M1	Needle Roller	73
SCE2412	30-3126110	Needle Roller	73
SCE2816	842134M1	Needle Roller	73
SCE4412	70937217	Needle Roller	73
SCE78	70937194	Needle Roller	71
SCH1614 P	834475M1	Needle Roller	72
SCH2216	843276M1	Needle Roller	73
SKF 311	N15337	Ball	18

Manufacturer Part No.	AGCO Part No.	Bearing Type	Page No.
SX0361LLCS41PX1	Z10493	Ball	14
SY 1-1/2 FM	71368048	Pillow Blocks	83
SY 1.375 FM	743632	Pillow Blocks	83
SY1-1/4 TF	70248385	Pillow Blocks	83
SY27/16TF	AG610853	Pillow Blocks	83
SYR27/16N118	AG059756	Tapered Roller	83
T-199	71135013	Thrust	77
T-27361	71118123	Thrust	76
T-77W	195457M1	Thrust	76
T139	10A9498	Thrust	76
T149	KS5040	Thrust	76
T177 TTC	832961M1	Thrust	76
T4CB140	AG715302	Tapered Roller	68
T52MST-ZP	700717515	Flangettes	89
T52MSTR-YZP	17264	Flangettes	90
T62MSTR-2YZP	71127313	Flangettes	90
T63	11448	Thrust	76
T72MSTR-2YZP	71192243	Flangettes	90
T80MS-S2ZP	700711918	Flangettes	91
T80MS-S4YZP	17819	Flangettes	91
T80MS-SYZP	17789	Flangettes	91
T85MS-SYZP	71130258	Flangettes	91
T88	LS5035	Thrust	76
T94-12	156676A	Needle Roller	71
TAF253316	1173591	Needle Roller	72
TC4860	1613884M1	Thrust	77
TCJ1 3/8	7739-6	Housed Units	86
TG1603KRR50-SP1	700737442	Ball	19
TG62MSA-5-YZP	SN16439	Flangettes	90
TG72MSA-13ZP	700710412	Flangettes	90
TG72MSA-2ZP	70593180	Flangettes	90
TG72MSB-ZP	70593181	Flangettes	90
TMA170000	195175M1	Thrust	77
TMB005LLUC3/5C	528393	Ball	15
TMB009LLUC3/5C	528116	Ball	17
TMB205LLUC3/L014	17798	Ball	15
UCFL207-20E-1 1/4	AG515958	Housed Units	84
UELFLU210-1.15/16	2492063W91	Housed Units	84
UELPL-2.1/4	7738-25	Pillow Blocks	83
UG228NL	K4438	Wide Inner Ring	27
UG232NL	714329	Wide Inner Ring	27
UL315-215D1	2490830W1	Wide Inner Ring	27
VAS-1	AG607412	Pillow Blocks	83
VAS-1 1/2	AG516274	Pillow Blocks	83
VFTD1 1/8	700708582	Housed Units	84
W208PP5	1905665M1	Disc Harrow	96
W208PP8	1905669M1	Disc Harrow	30, 96
W208PPB11	1905671M1	Disc Harrow	96
W208PPB12	447899M1	Disc Harrow	96
W208PPB13	552-204	Disc Harrow	96
W208PPB16	70575883	Ball	20, 31, 95
W208PPB2	1905664M1	Disc Harrow	96
W208PPB5	SN24A-5301	Disc Harrow	31, 96
W208PPB5 D5	843638M1	Disc Harrow	31
W208PPB6	834367M1	Disc Harrow	31, 96
W208PPB7	W237092B	Disc Harrow	96
W209PPB2	31-0072	Disc Harrow	31, 96
W209PPB2 C4	31-0072	Ball	21
W209PPB4	1905673M1	Disc Harrow	96
W209PPB4 C2	34-0103	Ball	20
W209PPB5	842303M1	Disc Harrow	96

# Index

Listed in Ascending Order by Manufacturer Part No.

Manufacturer Part No.	AGCO Part No.	Bearing Type	Page No.
W210PP2	1905676M1	Disc Harrow	96
W210PPB2	831960M3	Disc Harrow	96
W211PP3	1905678M1	Disc Harrow	96
W211PP5	70406677	Disc Harrow	96
W211PPB3	832540M1	Disc Harrow	96
W211PPB6	1905680M1	Disc Harrow	96
W228EL	31-0064	Wide Inner Ring	26
WB212EL	7591-1	Wide Inner Ring	24
WB216UL	843548M1	Wide Inner Ring	24
WG2E52U + COL	7713647	Wide Inner Ring	27
WK2250.T1428	71151719	Ball	18
WS-1375-12	833914M1	Ball	14
X376RSCG6Q	2759934M1	Ball	17
Y223NL	70596232	Wide Inner Ring	26
YAR212-207W	71365065	Wide Inner Ring	26
YCRSC-40	71374803	Radial Roller	34, 71
YEL 205-100-2FW/VT307B	71308962	Wide Inner Ring	25
YEL 205-100-2FWU	71306657	Wide Inner Ring	25
YEL 208-108	712059	Wide Inner Ring	26
YEL 209-112-2F	831877M1	Wide Inner Ring	27, 86
YEL 211-203	12705	Wide Inner Ring	27
YEL-207-104 2FW	71309117	Housed Units	84
YEL-207-104 2FWU	71309117	Wide Inner Ring	25
YEL205-014	W9112450	Wide Inner Ring	25

Manufacturer Part No.	AGCO Part No.	Bearing Type	Page No.
YEL208-108	712059	Housed Units	85
YET 205 014 + COL	71308770	Wide Inner Ring	25
YET 205 100	844095M1	Wide Inner Ring	26, 83
YET 205-100 W	71308951	Wide Inner Ring	25
YET 206 102	70590710	Wide Inner Ring	26
YET 206-101 W	353134X1	Wide Inner Ring	25
YET 206-103W	353161X1	Wide Inner Ring	25
YET 206-104	71308984	Pillow Blocks	83
YET 206-104 + COLLAR	71308984	Wide Inner Ring	25
YET 207-104	70590712	Wide Inner Ring	26
YET 207-106WU/C3VT307B	71333775	Wide Inner Ring	25
YET 207-107W	711630	Wide Inner Ring	26
YET 208-108CW	843273M1	Wide Inner Ring	24
YET203-010W	70530806	Wide Inner Ring	25
YET207-104W	251292	Housed Units	85
YG216NL (YG216N- W216-5)	710210	Wide Inner Ring	26
YG220E3L1	11543	Wide Inner Ring	26
YG220NL	Y710434	Pillow Blocks	83
YG228E3LK33	7745-37	Wide Inner Ring	27
YG228NL	831877M1	Pillow Blocks	83
YHC 207 1042LS8WWT357	105794	Wide Inner Ring	25
Z9504-2RSTFP-C3	712604	Ball	14

INDEX BY MANUFACTURER PART NO.



Look for the latest version of this document on the AGCO Dealer Portal.

© Copyright 2016 AGCO Corporation. All Rights Reserved.

The contents of this catalog are the property of AGCO Corporation and may not be reproduced without permission.

BCA® is a registered trademark of NTN-BCA Corporation, Lititz, PA, USA.

Barden® is a registered trademark of Barden Corporation, Danbury, CT, USA.

Bower® is a registered trademark of NTN-Bower Corporation, Macomb, IL, USA.

Dodge® is a registered trademark of Daimler Chrysler Corporation, Auburn Hills, MI, USA.

FAG® is a registered trademark of FAG Kugelfischer AG, Schweinfurt, Federal Republic of Germany.

Hub-City® is a registered trademark of Regal Beloit Corporation, Beloit, WI, USA.

Koyo® is a registered trademark of Koyo Seiko Company Ltd., Osaka, Japan.

Link-Belt® is a registered trademark of FMC Corporation, Chicago, IL, USA.

McGill® is a registered trademark Regal Beloit Corporation, Beloit, WI, USA.

MRC® is a registered trademark of SKF USA Inc., Norristown, PA, USA.

NDH® is a registered trademark of General Motors Corporation, Detroit, MI, USA.

NSK® is a registered trademark of Nippon Seiko Kabushiki Kaisha, Tokyo, Japan.

NTN® is a registered trademark of NTN Corporation, Osaka, Japan.

Rexnord® is a registered trademark of Rexnord Corporation, Milwaukee, WI, USA.

Rollway® is a registered trademark of Lipe-Rollway Corporation, Syracuse, NY, USA.

SKF® is a registered trademark of SKF USA Inc., Norristown, PA, USA.

Sealmaster® is a registered trademark of Emerson Electric Company, St. Louis, MO, USA.

Timken® is a registered trademark of The Timken Company, Canton, OH, USA.

Illustrations by Elmer Meider.

While AGCO has made every effort to catalog this information correctly, the possibility for error exists. Please verify each listing with your parts book or service manual.



# Keep It Genuine.

AGCO Parts has one purpose: to keep your investment performing in the field. We supply genuine parts and accessories, designed and engineered by the same people who made the original equipment. You get a guaranteed fit and the performance that only AGCO Parts can deliver. It's dependability you can rely on with the productivity you've come to expect. Keep your equipment running the way it was meant to run.

*Challenger*

**FENDT**



MASSEY FERGUSON

**VALTRA®**

**HESSTON**  
by MASSEY FERGUSON

**GLEANER**

**SUNFLOWER®**

**WHITE**  
PLANTERS

**RoGator®**

**TerraGator®**

**Willmar®**



AGCO Parts, the AGCO Parts logo, AGCO and the AGCO logo are trademarks of AGCO Corporation. © 2016 16010\_C