



BEARINGS

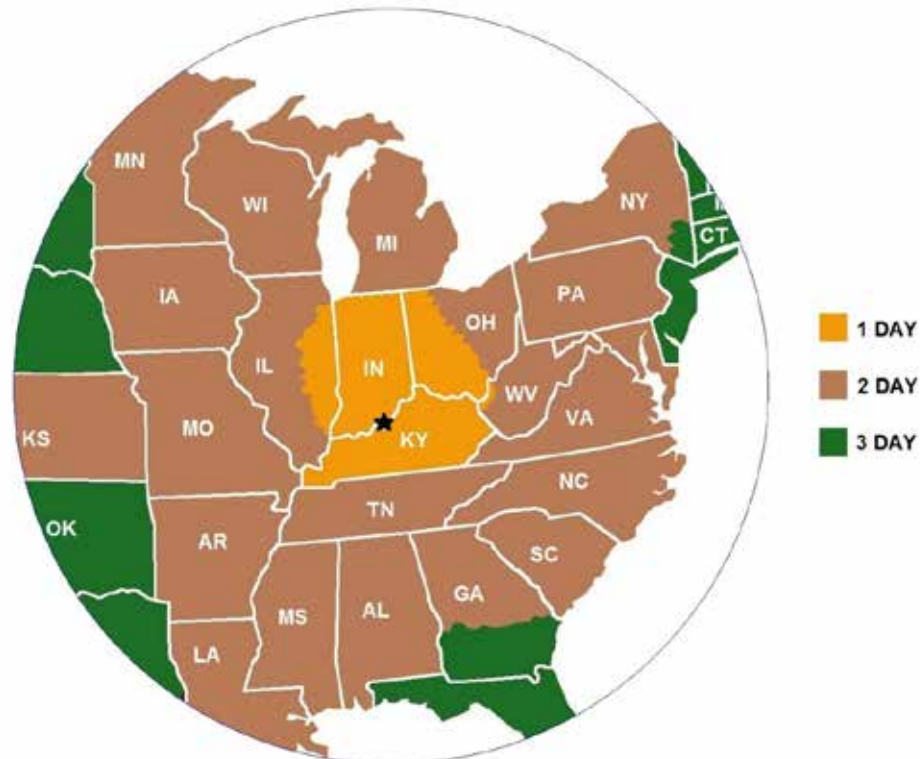




1stSource Products Inc. is a Material Handling Systems & Component supplier strategically located in Jeffersonville Indiana, (Louisville KY Metro Area). We offer a broad range of products and services, with this catalog focused on our Conveyor Roller Bearing, Wheel and Ball Transfer Product Line, held in inventory for same or next day shipment. With UPS Worldport, the largest air cargo terminal in the world only minutes away, we deliver to 75% of our US Customers in one to two days, but of course we deliver to any location on the Planet.

Our Products are equal in form, fit and function to several other leading brands, produced in quality and offered at the most competitive prices in the market. In addition to the standard SKUs in this catalog, we provide other bearing products to our OEM Customers. We have the ability to design, prototype and produce virtually any bearing related product required by the Conveyor Industry.

This catalog is intended to be a well-worn technical resource whereby you can select the correct bearing, wheel and ball transfer for your application, but please don't hesitate to contact our sales and technical staff at any time with other requirements.



BEARINGS

Equal in form, fit, & function to Mathews	2
Equal in form, fit, & function to Frantz	10
Logan	20

HOUSINGS

Equal in form, fit, & function to Mathews	26
Equal in form, fit, & function to Frantz	27

SKATE WHEELS

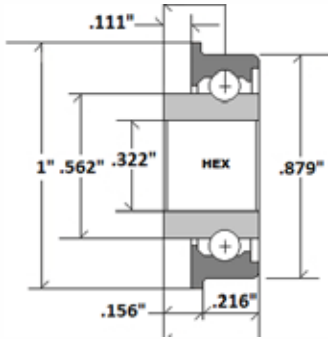
Equal in form, fit, & function to Mathews	28
Equal in form, fit, & function to Frantz	29

BALL TRANSFER UNITS

Equal in form, fit, & function to Mathews	32
Various Ball Transfer Units	34

<u>Part Number Cross Reference Chart</u>	36
------------------------------------------	----

1SP-B1001-1

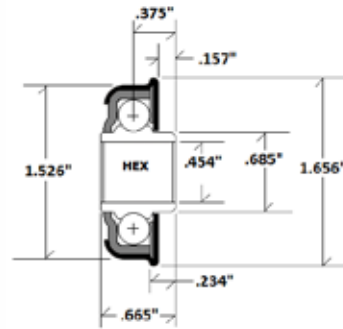


Conveyor Flanged Non-Precision Roller Bearing
Interchangeable with Mathews #B1001-1

5/16" Hex Bore
0.879" OD & 1" Flange OD
Load Rating: 40 LBS
Steel Ball: 15 PCS. 1/8" Diameter

Pressed Steel Outer Shell
Lubrication: Oiled
For Gravity or Manual Applications
Can be used in corrosive areas

1SP-B1020-1 & B1020-2

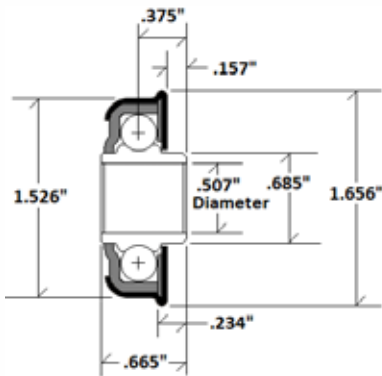


Conveyor Flanged Non-Precision Roller Bearing
Interchangeable with Mathews #B1020-1/B1020-2

7/16" Hex Bore
1.526" OD & 1.656" Flange OD
Load Rating: 155 LBS
Steel Ball: 11 PCS. 9/32" Diameter
Labyrinth Seals

Pressed Steel Outer Shell
Lubrication: Oiled (suffix -1) or Greased (suffix -2)
For Gravity and Powered Applications

1SP-B1022-1

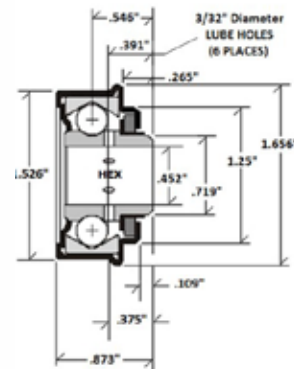


Conveyor Flanged Non-Precision Roller Bearing
Interchangeable with Mathews #B1022-1

1/2" Round Bore
1.526" OD & 1.656" Flange OD
Load Rating: 155 LBS
Steel Ball: 11 PCS. 9/32" Diameter
Labyrinth Seals

Pressed Steel Outer Shell
Lubrication: Oiled
Used in General Purpose gravity Equipment
Has Round Axle, which allows to mount to any roller in any
frame by just drilling holes

1SP-B1030-2

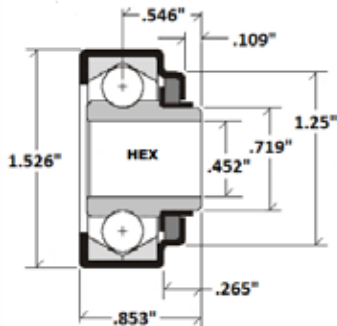


Conveyor Flanged Non-Precision Roller Bearing
Interchangeable with Mathews #B1030-2

7/16" Hex Bore
1.526" OD & 1.656" Flange OD
Load Rating: 155 LBS
Steel Ball: 11 PCS. 9/32" Diameter
Front Seal; Back Retaining Ring; Regreasable

Pressed Steel Outer Shell
Lubrication: Greased
Used in Powered Equipment that require regreasable bearings
Limited Use in gravity due to greased packed

1SP-B1050-1 & 1-B1051-2



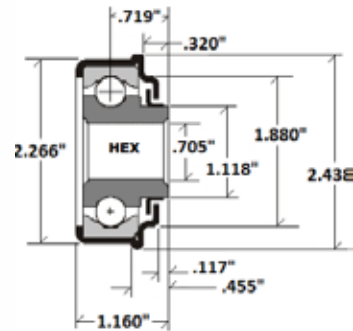
Straight Faced Non-Precision Roller Bearing
Interchangeable with Mathews #B1050-1/B1051-2

7/16" Hex Bore
1.526" OD
Load Rating: 155 LBS
Steel Ball: 11 PCS. 9/32" Diameter
Front Seal; Regreasable: SM388-1251H

Pressed Steel Outer Shell

Lubrication: Oiled (Suffix -1) or Greased (Suffix -2)
Used in Gravity & Push Equipment where bearing needs to be recessed within confines of the roller. Protects from grit.

1SP-B1060-1 & 1SP-B1060-2



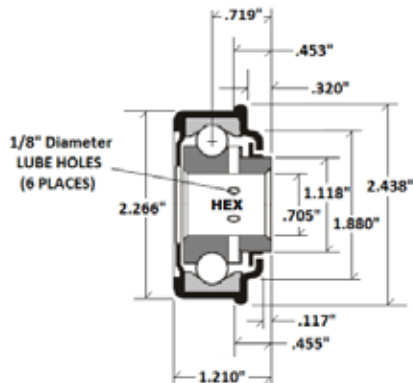
Conveyor Flanged Non-Precision Roller Bearing
Interchangeable with Mathews #B1060-1/B1060-2

11/16" Hex Bore
2.266" OD & 2.438" Flange OD
Load Rating: 305 LBS
Steel Ball: 12 PCS. 3/8" Diameter

Pressed Steel Outer Shell

Lubrication: Oiled (Suffix -1) or Greased (Suffix -2)
Used in Gravity and Manual Applications
Used in Powered Equipment when Greased packed

1SP-B1061-2



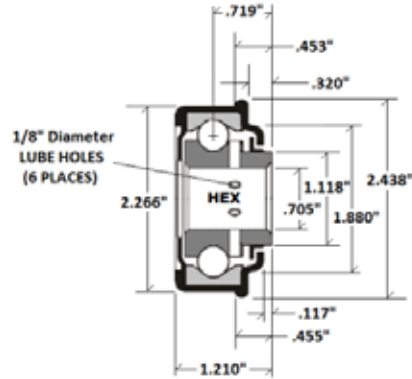
Conveyor Flanged Non-Precision Roller Bearing
Interchangeable with Mathews #B1061-2

11/16" Hex Bore
2.266" OD & 2.438" Flange OD
Load Rating: 305 LBS
Steel Ball: 12 PCS. 3/8" Diameter
Labyrinth front shield, back shield; Regreasable

Pressed Steel Outer Shell

Lubrication: Greased
Used in High Temps applications (up to 350°F)
Used in Dusty Conditions where regreasing is necessary

1SP-B1062-2



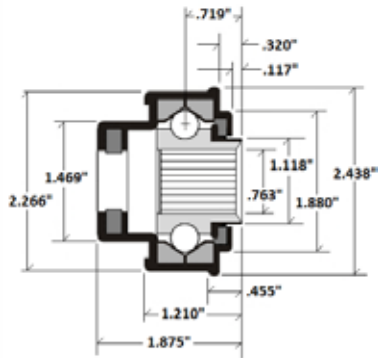
Conveyor Flanged Non-Precision Roller Bearing
Interchangeable with Mathews #B1062-2

11/16" Hex Bore
2.266" OD & 2.438" Flange OD
Load Rating: 305 LBS
Steel Ball: 12 PCS. 3/8" Diameter
Front Seal, Back Shield; Regreasable

Pressed Steel Outer Shell

Lubrication: Greased
For low temperature applications where regreasing is required

1SP-B1063-2



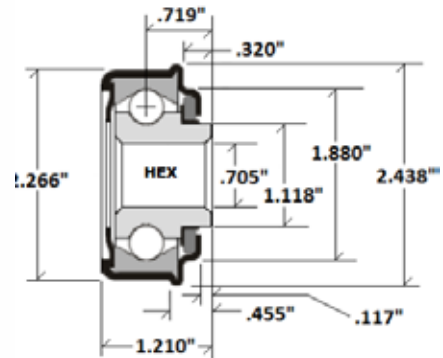
Conveyor Flanged Non-Precision Roller Bearing
Interchangeable with Mathews #B1063-2

3/4" Round Bore
2.266" OD & 2.438" Flange OD
Load Rating: 305 LBS
Steel Ball: 12 PCS. 3/8" Diameter
Regreasable, Back Seal

Pressed Steel Outer Shell
Lubrication: Greased

For low temperature applications where regreasing is required
Larger Shaft provides better resistance to axle deflection

1SP-B1064-2

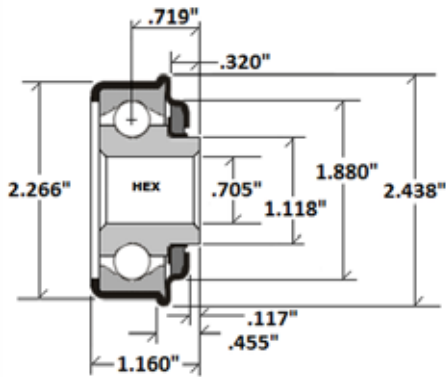


Conveyor Flanged Non-Precision Roller Bearing
Interchangeable with Mathews #B1064-2

11/16" Hex Bore
2.266" OD & 2.438" Flange OD
Load Rating: 305 LBS
Steel Ball: 12 PCS. 3/8" Diameter
Front Seal, Back Shield

Pressed Steel Outer Shell
Lubrication: Greased
Used in Powered Applications

1SP-B1065-1



Conveyor Flanged Non-Precision Roller Bearing
Interchangeable with Mathews #B1065-1

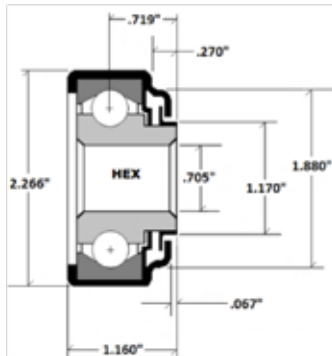
11/16" Hex Bore
2.266" OD & 2.438" Flange OD
Load Rating: 305 LBS
Steel Ball: 12 PCS. 3/8" Diameter
Front Seal

Pressed Steel Outer Shell
Lubrication: Oiled
Used in Gravity and Manual Applications



1SP-B1065-1

1SP-B1070-1

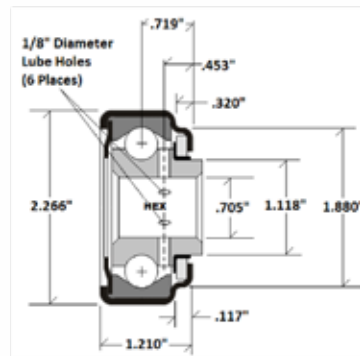


Straight Faced Non-Precision Roller Bearing
Interchangeable with Mathews #B1070-1

11/16" Hex Bore
2.266" OD
Load Rating: 305 LBS
Steel Ball: 12 PCS. 3/8" Diameter
Front Seal

Pressed Steel Outer Shell
Lubrication: Oiled
Used in Gravity Applications

1SP-B1071-2



Straight Faced Non-Precision Roller Bearing
Interchangeable with Mathews #B1071-2

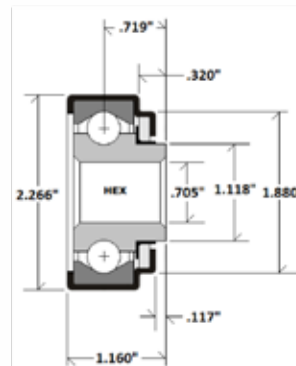
11/16" Hex Bore
2.266" OD
Load Rating: 305 LBS
Steel Ball: 12 PCS. 3/8" Diameter
Front Seal, Back Shield, Retaining Ring; Regreasable

Pressed Steel Outer Shell
Lubrication: Greased
Used in Powered Applications

1SP-B1073-1 & 1SP-B1073-2



1SP-B1073-2

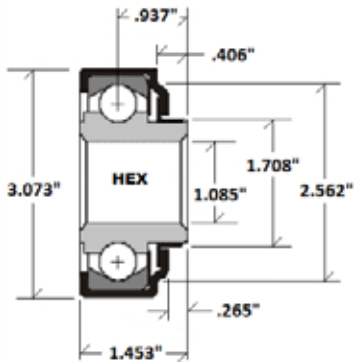


Straight Faced Non-Precision Roller Bearing
Interchangeable with Mathews #B1073-1 / B1073-2

11/16" Hex Bore
2.266" OD
Load Rating: 305 LBS
Steel Ball: 12 PCS. 3/8" Diameter
Front Seal

Pressed Steel Outer Shell
Lubrication: Oiled (Suffix -1) or Greased (Suffix -2)
Used in Powered Applications when greased

1SP-B1080-1

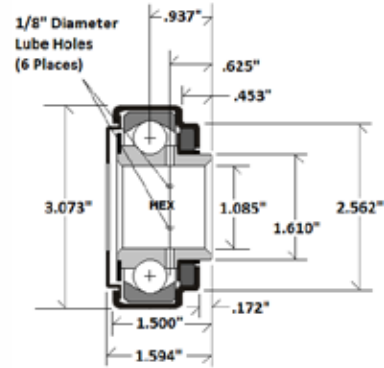


Straight Faced Non-Precision Roller Bearing
Interchangeable with Mathews #B1080-1

1-1/16" Hex Bore
3.073" OD
Load Rating: 1,250 LBS
Steel Ball: 13 PCS. 1/2" Diameter
Front Seal

Pressed Steel Outer Shell
Lubrication: Oiled
Used in Gravity Applications
It is recessed. Shot Guards can be used

1SP-B1081-2

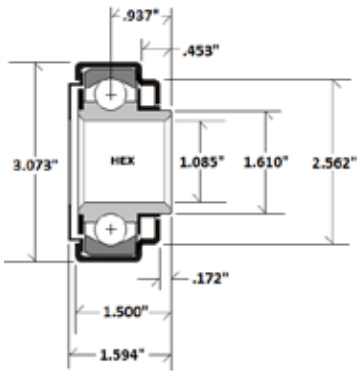


Straight Faced Non-Precision Roller Bearing
Interchangeable with Mathews #B1081-2

1-1/16" Hex Bore
3.073" OD
Load Rating: 1,250 LBS
Steel Ball: 13 PCS. 1/2" Diameter
Front Seal, Labyrinth Back Shield, Retaining Ring

Pressed Steel Outer Shell
Lubrication: Greased
Used mainly for CDLR. Can be used for Gravity
It is recessed. Shot Guards can be used

1SP-B1084-2



Straight Faced Non-Precision Roller Bearing
Interchangeable with Mathews #B1084-2

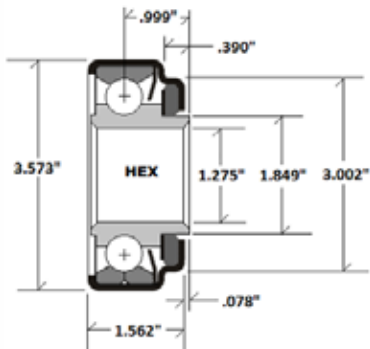
1-1/16" Hex Bore
3.073" OD
Load Rating: 1,250 LBS
Steel Ball: 13 PCS. 1/2" Diameter
Front & Back Seal; Retaining Ring

Pressed Steel Outer Shell
Lubrication: Greased
Used in Powered Applications
It is recessed.. Shot Guards can be used



1SP-B1084-2

1SP-B1100-1

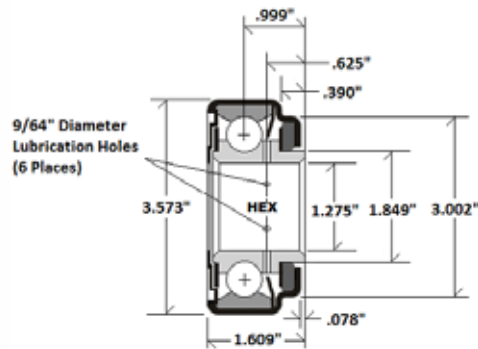


Straight Faced Non-Precision Roller Bearing
Interchangeable with Mathews #B1100-1

1-1/4" Hex Bore
3.573" OD
Load Rating: 2,250 LBS
Steel Ball: 13 PCS. 9/16" Diameter
Front Seal

Pressed Steel Outer Shell
Lubrication: Oiled
Used in Gravity Applications
It is recessed. Shot Guards can be used

1SP-B1101-2

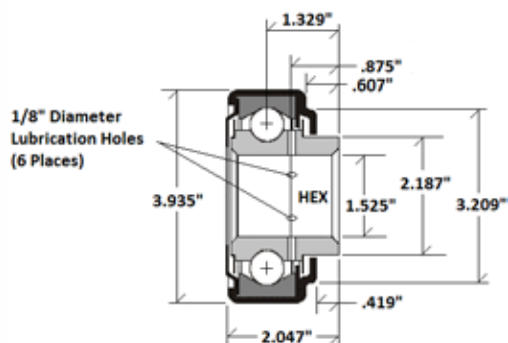


Straight Faced Non-Precision Roller Bearing
Interchangeable with Mathews #B1101-2

1-1/4" Hex Bore
3.573" OD
Load Rating: 2,250 LBS
Steel Ball: 13 PCS. 9/16" Diameter
Front Seal; Labyrinth back shield; Regreasable

Pressed Steel Outer Shell
Lubrication: Greased
Used in Powered Applications
It is recessed. Shot Guards can be used

1SP-B1120-2

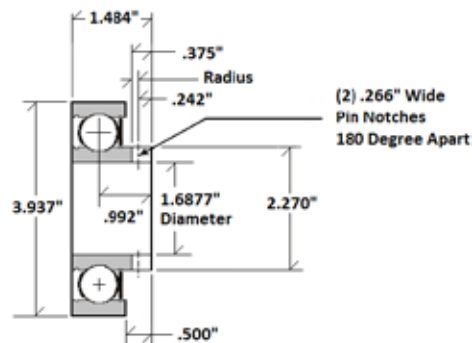


Straight Faced Non-Precision Roller Bearing
Interchangeable with Mathews #B1120-2

1-1/2" Hex Bore
3.935" OD
Load Rating: 3,750 LBS
Steel Ball: 13 PCS. 5/8" Diameter
Labyrinth Front & Back Shield, Back Retaining Ring; Regreasable

Inner Race Drilled for Pressure Lubrication
Lubrication: Greased
Used in Powered Applications
It is recessed. Can be used in high temp & dusty applications

1SP-B1130-2

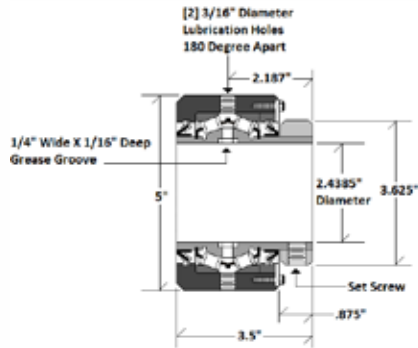


Straight Faced Precision Bearing
Interchangeable with Mathews #B1130-2

1-11/16" Round Bore
3.937" OD
Load Rating: 5,700 LBS
Steel Ball: 8 PCS. 11/16" Diameter
Front Seal, Regreasable; Ball Retainer

Inner Race Notched for 1/4" Pin to Prevent Cone Rotation
Lubrication: Greased
Used in Powered Applications requiring heavy load capacity,
high speed, low noise, and long life

1SP-B1140-2



Straight Faced Precision Bearing
Interchangeable with Mathews #B1140-2

2-7/16" Round Bore
5" OD

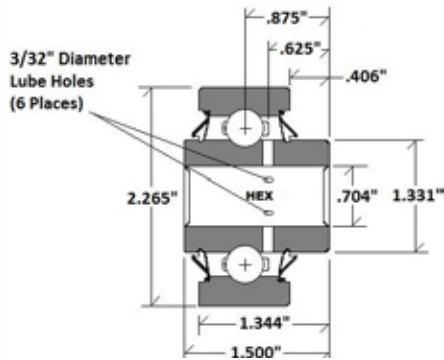
Load Rating: 6,500 LBS
Double Roll Self Aligning Roller Bearings
Front and Back Seals
Inner raced drilled for Pressure Lubrication
Collar with set screws to prevent cone rotation

Lubrication: Greased
Used primarily on basis of load rating



1SP-B1161-2

1SP-B1150-2 & 1SP-B1151-2

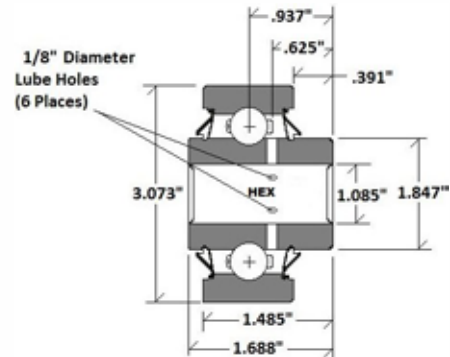


Straight Faced Precision Bearing
Interchangeable with Mathews #B1150-2/B1151-2

11/16" Hex Bore
2.265" OD
Load Rating: 2,380 LBS
Steel Ball: 9 PCS. 5/16" Diameter
Front and Back Seal
B1150-2 is Regreasable (Picture Shown)

Lubrication: Greased
Used where low noise levels and high operating speeds are required

1SP-B1160-2 & 1SP-B1161-2

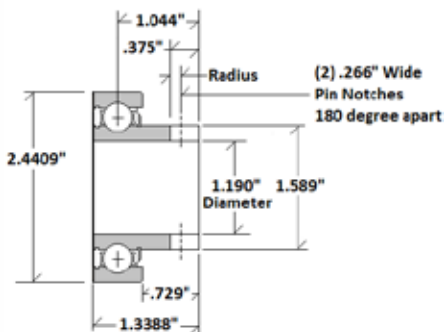


Straight Faced Precision Bearing
Interchangeable with Mathews #B1160-2/B1161-2

1-1/16" Hex Bore
3.073" OD
Load Rating: 4,260 LBS
Steel Ball: 9 PCS. 7/16" Diameter
Front and Back Seal
B1161-2 is Regreasable (Picture Shown)

Lubrication: Greased
Used in Powered Applications where heavier load capacity, higher speeds, and low noise levels are required

1SP-B1210-2

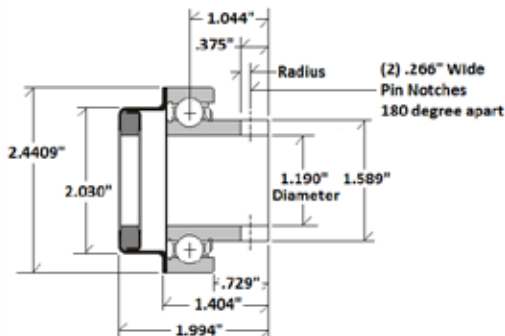


Straight Faced Precision Bearing
Interchangeable with Mathews #B1210-2

- 1-3/16" Diameter shaft
- 2.4409" OD
- Load Rating: 2,100 LBS
- Steel Ball: 9 PCS. 3/8" Diameter; Ball Retainer
- Front and Back Seal
- Inner Race notched for 1/4" Pin

Lubrication: Greased
Used in Powered Applications w/ low noise, high speed, and long life are required

1SP-B1211-2

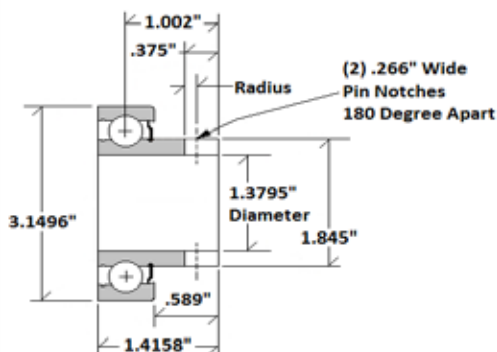


Straight Faced Precision Bearing
Interchangeable with Mathews #B1211-2

- 1-3/16" Diameter shaft
- 2.4409" OD
- Load Rating: 2,100 LBS
- Steel Ball: 9 PCS. 3/8" Diameter, Ball Retainer
- Front and Back Seal, Pressure Regreasable
- Inner Race notched for 1/4" Pin

Lubrication: Greased
Used in Powered Applications w/ low noise, high speed, and long life are required

1SP-B1220-2

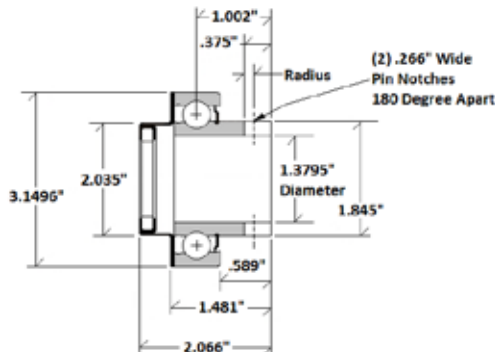


Straight Faced Precision Bearing
Interchangeable with Mathews #B1220-2

- 1-3/8" Diameter shaft
- 3.1496" OD
- Load Rating: 3770 LBS
- Steel Ball: 8 PCS. 13/32" Diameter, Ball Retainer
- Front Seal
- Inner Race notched for 1/4" Pin

Lubrication: Greased
Used in Powered Applications w/ low noise, high speed, and long life are required

1SP-B1221-2

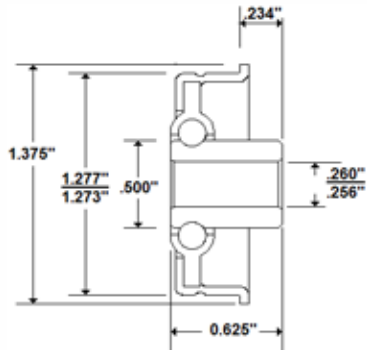


Straight Faced Precision Bearing
Interchangeable with Mathews #B1221-2

- 1-3/8" Diameter shaft
- 3.1496" OD
- Load Rating: 3770 LBS
- Steel Ball: 8 PCS. 13/32" Diameter, Ball Retainer
- Front Seal, Grease Retainer; Pressure Regreasable
- Inner Race notched for 1/4" Pin

Lubrication: Greased
Used in Powered Applications w/ low noise, high speed, and long life are required

HM323-0674

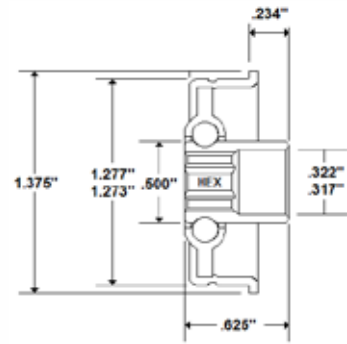


Conveyor Flanged Non-Precision Roller Bearing
Interchangeable with Frantz #1274

1/4" Round Bore
1.277" OD & 1.375" Flange OD - Swage Fit
Load Rating: 47 LBS
1-3/8" Tube Size, 18g Tube Thickness
Steel Ball: 11 PCS. 5/32" Diameter 200 Grade

Housing Carbon Steel, Zinc Plated
Outer Race Carbon Steel, Hardened, Zinc Plated
Inner Race - Carbon Steel, Hardened, Zinc Plated
Washer - Carbon Steel, Hardened, Zinc Plated
Lubrication: Greased or Oiled

HM323-0876H

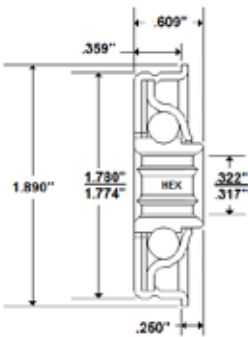


Conveyor Flanged Non-Precision Roller Bearing
Interchangeable with Frantz #1276

5/16" Hex Bore
1.277" OD & 1.375" Flange OD - Swage Fit
Load Rating: 47 LBS
1-3/8" Tube Size, 18g Tube Thickness
Steel Ball: 11 PCS. 5/32" Diameter 200 Grade

Housing Carbon Steel, Zinc Plated
Outer Race Carbon Steel, Hardened, Zinc Plated
Inner Race - Carbon Steel, Hardened, Zinc Plated
Washer - Carbon Steel, Hardened, Zinc Plated
Lubrication: Greased or Oiled

HM451-0811H

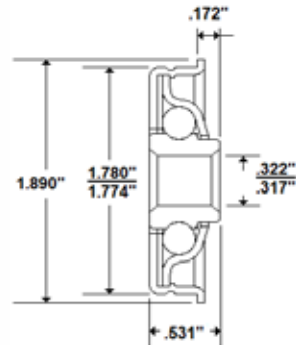


Conveyor Flanged Non-Precision Roller Bearing
Interchangeable with Frantz #1011

5/16" Hex Bore
1.780" OD & 1.903" Flange OD - Swage Fit
Load Rating: 140 LBS
1.9" Tube Size, 16g Tube Thickness
Steel Ball: 11 PCS. 1/4" Diameter 500 Grade

Housing Carbon Steel, Zinc Plated
Outer Race Carbon Steel, Hardened, Zinc Plated
Inner Race - Carbon Steel, Hardened, Zinc Plated
Washer - Carbon Steel, Hardened, Zinc Plated
Lubrication: Greased or Oiled

HM451-0812

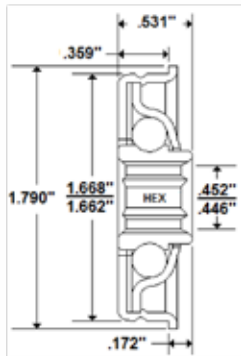


Conveyor Flanged Non-Precision Roller Bearing
Interchangeable with Frantz #1012

5/16" Round Bore
1.780" OD & 1.903" Flange OD - Swage Fit
Load Rating: 140 LBS
1.9" Tube Size, 16g Tube Thickness
Steel Ball: 11 PCS. 1/4" Diameter 500 Grade

Housing Carbon Steel, Zinc Plated
Outer Race Carbon Steel, Hardened, Zinc Plated
Inner Race - Carbon Steel, Hardened, Zinc Plated
Washer - Carbon Steel, Hardened, Zinc Plated
Lubrication: Greased or Oiled

HM422-1090H

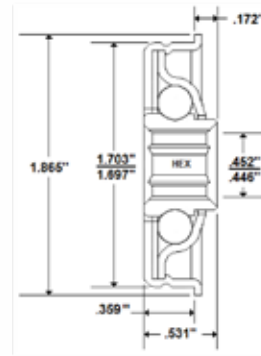


Conveyor Flanged Non-Precision Roller Bearing
Interchangeable with Frantz #1690

7/16" Hex Bore
1.668" OD & 1.790" Flange OD - Swage Fit
Load Rating: 140 LBS
1.9" Tube Size, 12g Tube Thickness
Steel Ball: 11 PCS. 1/4" Diameter 500 Grade

Housing Carbon Steel, Zinc Plated
Outer Race Carbon Steel, Hardened, Zinc Plated
Inner Race Carbon Steel, Hardened, Zinc Plated
Washer Carbon Steel, Hardened, Zinc Plated
Lubrication: Greased or Oiled

HM431-1105H



Conveyor Flanged Non-Precision Roller Bearing
Interchangeable with Frantz #1705

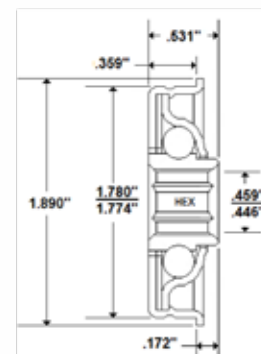
7/16" Hex Bore
1.703" OD & 1.870" Flange OD - Swage Fit
Load Rating: 140 LBS
1 7/8" Tube Size, 13g Tube Thickness
Steel Ball: 11 PCS. 1/4" Diameter 500 Grade

Housing Carbon Steel, Zinc Plated
Outer Race Carbon Steel, Hardened, Zinc Plated
Inner Race Carbon Steel, Hardened, Zinc Plated
Washer Carbon Steel, Hardened, Zinc Plated
Lubrication: Greased or Oiled

HM451-1105H



HM451-1105H

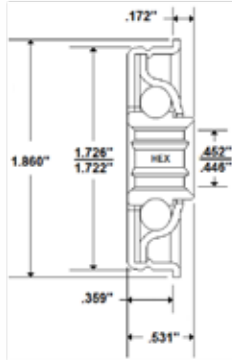


Conveyor Flanged Non-Precision Roller Bearing
Interchangeable with Frantz #1005

7/16" Round Bore
1.780" OD & 1.903" Flange OD - Swage Fit
Load Rating: 140 LBS
1.9" Tube Size, 16g Tube Thickness
Steel Ball: 11 PCS. 1/4" Diameter 500 Grade

Housing Carbon Steel, Zinc Plated
Outer Race Carbon Steel, Hardened, Zinc Plated
Inner Race Carbon Steel, Hardened, Zinc Plated
Washer Carbon Steel, Hardened, Zinc Plated
Lubrication: Greased or Oiled

HM437-1121H

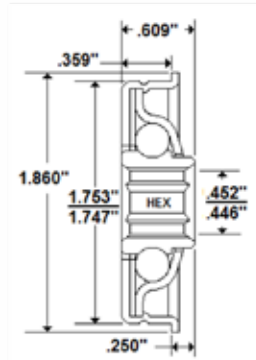


Conveyor Flanged Non-Precision Roller Bearing
Interchangeable with Frantz #1721

7/16" Hex Bore
1.728" OD & 1.865" Flange OD - Swage Fit
Load Rating: 140 LBS
1 7/8" Tube Size, 16g Tube Thickness
Steel Ball: 11 PCS. 1/4" Diameter 500 Grade

Housing - Carbon Steel, Zinc Plated
Outer Race - Carbon Steel, Hardened, Zinc Plated
Inner Race - Carbon Steel, Hardened, Zinc Plated
Washer - Carbon Steel, Hardened, Zinc Plated
Lubrication: Greased or Oiled

HM445-1124H

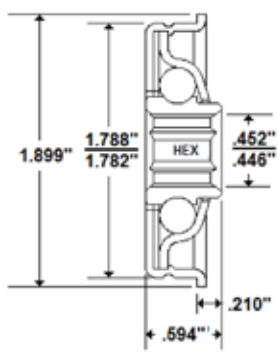


Conveyor Flanged Non-Precision Roller Bearing
Interchangeable with Frantz #124

7/16" Hex Bore
1.753" OD & 1.865" Flange OD - Swage Fit
Load Rating: 140 LBS
1-7/8" Tube Size, 16g Tube Thickness
Steel Ball: 11 PCS. 1/4" Diameter 500 Grade

Housing - Carbon Steel, Zinc Plated
Outer Race - Carbon Steel, Hardened, Zinc Plated
Inner Race - Carbon Steel, Hardened, Zinc Plated
Washer - Carbon Steel, Hardened, Zinc Plated
Lubrication: Greased or Oiled

HM453-1100H-SS



Conveyor Flanged Non-Precision Roller Bearing
Interchangeable with Frantz #107 SS

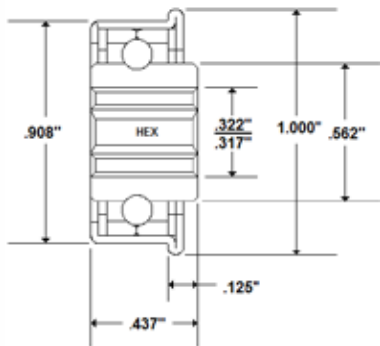
7/16" Round Bore
1.788" OD & 1.903" Flange OD - Pressed or Swage Fit
Load Rating: 140 LBS
1.9" Tube Size, 16g Tube Thickness
Steel Ball: 11 PCS. 1/4" Diameter Stainless 440 Grade

Housing - Stainless Steel
Outer Race - Stainless Steel
Inner Race - Stainless Steel
Washer - Stainless Steel
Lubrication: Oiled



HM453-1100H-SS

FM229-0803H

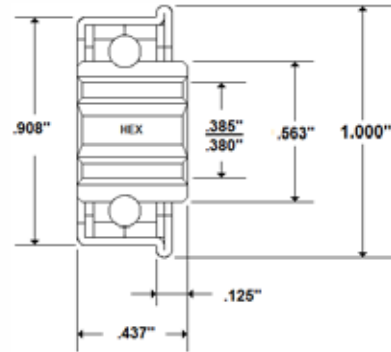


Conveyor Flanged Non-Precision Roller Bearing
Interchangeable with Frantz #1903

5/16" Hex Bore
0.908" OD & 1.000" Flange OD - Pressed Fit
Load Rating: 35 LBS
1" Tube Size, 18g Tube Thickness
Steel Ball: 15 PCS. 1/8" Diameter 200 Grade

Housing Carbon Steel, Zinc Plated
Outer Race Carbon Steel, Hardened, Zinc Plated
Inner Race - Carbon Steel, Hardened, Zinc Plated
Washer - Carbon Steel, Hardened, Zinc Plated
Lubrication: Greased or Oiled

FM229-0945H

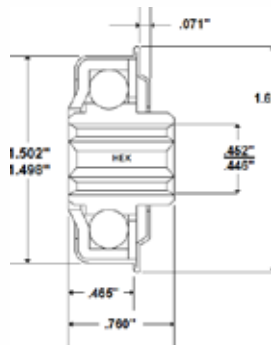


Conveyor Flanged Non-Precision Roller Bearing
Interchangeable with Frantz #1945

3/8" Hex Bore
0.908" OD & 1.000" Flange OD - Pressed Fit
Load Rating: 35 LBS
1" Tube Size, 18g Tube Thickness
Steel Ball: 15 PCS. 1/8" Diameter 200 Grade

Housing Carbon Steel, Zinc Plated
Outer Race Carbon Steel, Hardened, Zinc Plated
Inner Race - Carbon Steel, Hardened, Zinc Plated
Washer - Carbon Steel, Hardened, Zinc Plated
Lubrication: Greased or Oiled

FA380-1100H

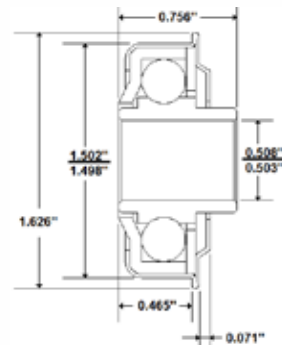


Conveyor Flanged Non-Precision Roller Bearing
Interchangeable with Frantz #1500

7/16" Hex Bore
1.502" OD & 1.626" Flange OD - Pressed Fit
Load Rating: 145 LBS
1-5/8" Tube Size, 16g Tube Thickness
Steel Ball: 11 PCS. 9/32" Diameter 200 Grade

Housing Carbon Steel, Zinc Plated
Outer Race Carbon Steel, Hardened, Zinc Plated
Inner Race - Carbon Steel, Hardened, Zinc Plated
Washer - Carbon Steel, Hardened, Zinc Plated
Lubrication: Greased or Oiled

FA380-1203

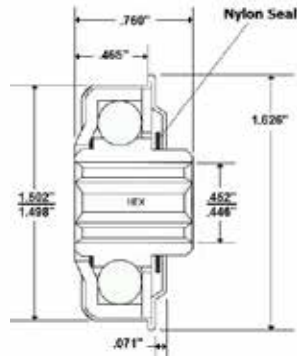


Conveyor Flanged Non-Precision Roller Bearing
Interchangeable with Frantz #1503

1/2" Round Bore
1.502" OD & 1.626" Flange OD - Pressed Fit
Load Rating: 145 LBS
1-5/8" Tube Size, 16g Tube Thickness
Steel Ball: 11 PCS. 9/32" Diameter 200 Grade

Case Zinc Plated
Outer Race Hardened, Zinc Plated
Inner Race - Hardened, Zinc Plated
Washer - Hardened, Zinc Plated
Lubrication: Greased or Oiled

FA380-1110H

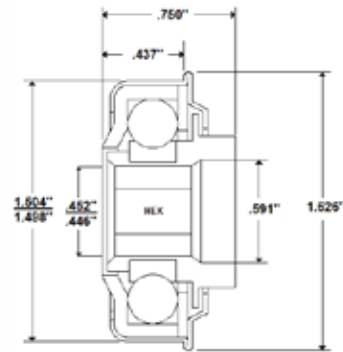


Conveyor Flanged Non-Precision Roller Bearing
Interchangeable with Frantz #1510

7/16" Hex Bore
1.502" OD & 1.626" Flange OD - Pressed Fit
Load Rating: 145 LBS
1-5/8" Tube Size, 16g Tube Thickness
Steel Ball: 11 PCS. 9/32" Diameter 200 Grade
Nylon Seal Both Sides

Housing Carbon Steel, Zinc Plated
Outer Race Carbon Steel, Hardened, Zinc Plated
Inner Race Carbon Steel, Hardened, Zinc Plated
Washer Carbon Steel, Hardened, Zinc Plated
Lubrication: Greased or Oiled

FA380-1115H

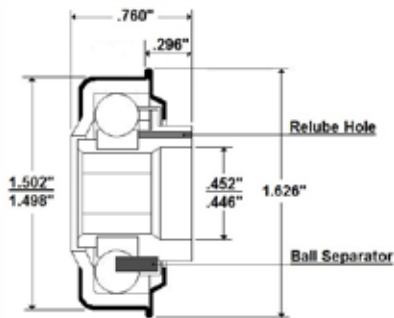


Conveyor Flanged Non-Precision Roller Bearing
Interchangeable with Frantz #1515

7/16" Hex Bore
1.502" OD & 1.626" Flange OD - Pressed Fit
Load Rating: 145 LBS
1-5/8" Tube Size, 16g Tube Thickness
Steel Ball: 11 PCS. 9/32" Diameter 200 Grade
Nylon Adapter - Non-Conductive Static Discharge

Housing Carbon Steel, Zinc Plated
Outer Race Carbon Steel, Hardened, Zinc Plated
Inner Race Carbon Steel, Hardened, Zinc Plated
Washer Carbon Steel, Hardened, Zinc Plated
Lubrication: Greased or Oiled

FA380-1121H

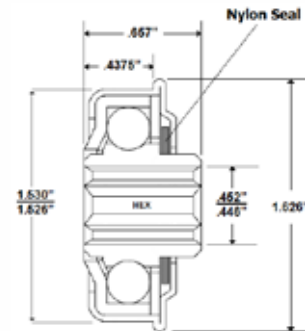


Conveyor Flanged Non-Precision Roller Bearing
Interchangeable with Frantz #1521

7/16 Hex Bore
1.502" OD & 1.626" Flange OD - Pressed Fit
Load Rating: 145 LBS
1-5/8" Tube Size, 16g Tube Thickness
Steel Ball: 11 PCS. 9/32" Diameter 200 Grade
Nylon Adapter - Non-Conductive Static Discharge

Housing Carbon Steel, Zinc Plated
Outer Race Carbon Steel, Hardened, Zinc Plated
Inner Race Carbon Steel, Hardened, Zinc Plated
Washer Carbon Steel, Hardened, Zinc Plated
Lubrication: Greased or Oiled

FA388-1110H

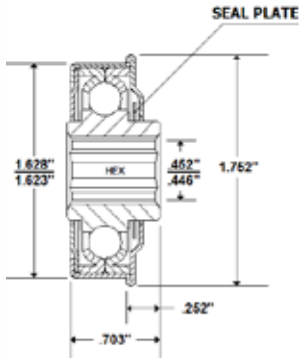


Conveyor Flanged Non-Precision Roller Bearing
Interchangeable with Frantz #2910

7/16" Hex Bore
1.530" OD & 1.668" Flange OD - Pressed Fit
Load Rating: 145 LBS
1-5/8" Tube Size, 18g Tube Thickness
Steel Ball: 11 PCS. 9/32" Diameter 200 Grade
Nylon Seal Both Sides

Housing Carbon Steel, Zinc Plated
Outer Race Carbon Steel, Hardened, Zinc Plated
Inner Race Carbon Steel, Hardened, Zinc Plated
Washer Carbon Steel, Hardened, Zinc Plated
Lubrication: Greased or Oiled

FM413-1134H

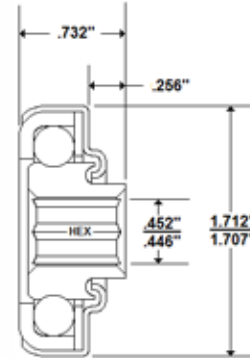


Conveyor Flanged Non-Precision Roller Bearing
Interchangeable with Frantz #1634

7/16" Hex Bore
1.628" OD & 1.750" Flange OD - Pressed Fit
Load Rating: 125 LBS
1.9" Tube Size, 9g Tube Thickness
Steel Ball: 13 PCS. 1/4" Diameter 200 Grade
Seal Plate

Housing Carbon Steel, Zinc Plated
Outer Race Carbon Steel, Hardened, Zinc Plated
Inner Race - Carbon Steel, Hardened, Zinc Plated
Washer - Carbon Steel, Hardened, Zinc Plated
Lubrication: Greased or Oiled

SA434-1112H

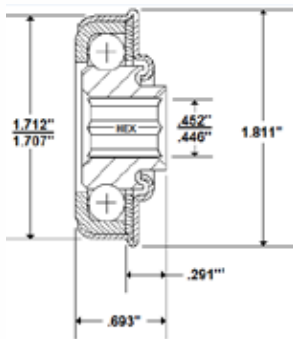


Straight Faced Non-Precision Roller Bearing
Interchangeable with Frantz #412

7/16" Round Bore
1.712" OD - Pressed Fit
Load Rating: 300 LBS
1.9" Tube Size; 12g Tube Thickness
Steel Ball: 12 PCS. 9/32" Diameter 200 Grade

Housing Carbon Steel, Zinc Plated
Outer Race Carbon Steel, Hardened, Zinc Plated
Inner Race - Carbon Steel, Hardened, Zinc Plated
Washer - Carbon Steel, Hardened, Zinc Plated
Lubrication: Greased or Oiled

FA434-1120H

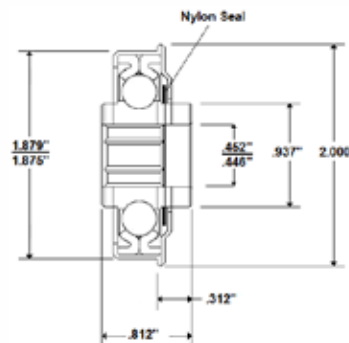


Conveyor Flanged Non-Precision Roller Bearing
Interchangeable with Frantz #420

7/16" Hex Bore
1.712" OD & 1.812" Flange OD - Pressed Fit
Load Rating: 300 LBS
1.9" Tube Size, 12g Tube Thickness
Steel Ball: 12 PCS. 9/32" Diameter 200 Grade
Labyrinth Shield; High Temp

Housing Carbon Steel, Zinc Plated
Outer Race Carbon Steel, Hardened, Zinc Plated
Inner Race - Carbon Steel, Hardened, Zinc Plated
Washer - Carbon Steel, Hardened, Zinc Plated
Lubrication: Greased or Oiled

FM476-1176H

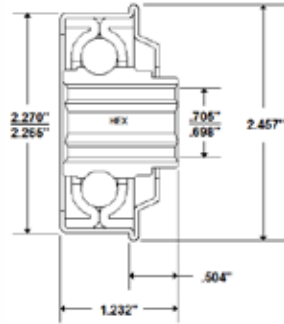


Conveyor Flanged Non-Precision Roller Bearing
Interchangeable with Frantz #1876

7/16" Hex Bore
1.879" OD & 2.000" Flange OD - Pressed Fit
Load Rating: 190 LBS
2" Tube Size, 16g Tube Thickness
Steel Ball: 11 PCS. 5/16" Diameter 200 Grade
Nylon Seal

Housing Carbon Steel, Zinc Plated
Outer Race Carbon Steel, Hardened, Zinc Plated
Inner Race - Carbon Steel, Hardened, Zinc Plated
Washer - Carbon Steel, Hardened, Zinc Plated
Lubrication: Greased or Oiled

FM575-1700H

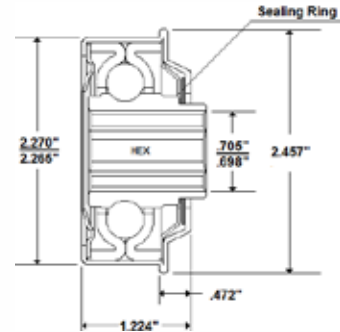


Conveyor Flanged Non-Precision Roller Bearing
Interchangeable with Frantz #2500

11/16" Hex Bore
2.270" OD & 2.437" Flange OD - Pressed Fit
Load Rating: 425 LBS
2-1/2" Tube Size, 11g Tube Thickness
Steel Ball: 11 PCS. 3/8" Diameter 200 Grade

Housing Carbon Steel, Zinc Plated
Outer Race Carbon Steel, Hardened, Zinc Plated
Inner Race - Carbon Steel, Hardened, Zinc Plated
Washer - Carbon Steel, Hardened, Zinc Plated
Lubrication: Greased or Oiled

FM575-1712H

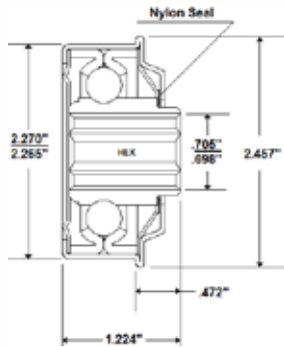


Conveyor Flanged Non-Precision Roller Bearing
Interchangeable with Frantz #2512

11/16" Hex Bore
2.270" OD & 2.437" Flange OD - Pressed Fit
Load Rating: 425 LBS
2-1/2" Tube Size, 11g Tube Thickness
Steel Ball: 11 PCS. 3/8" Diameter 200 Grade
Sealing Ring

Housing Carbon Steel, Zinc Plated
Outer Race Carbon Steel, Hardened, Zinc Plated
Inner Race - Carbon Steel, Hardened, Zinc Plated
Washer - Carbon Steel, Hardened, Zinc Plated
Lubrication: Greased or Oiled

FM575-1732H

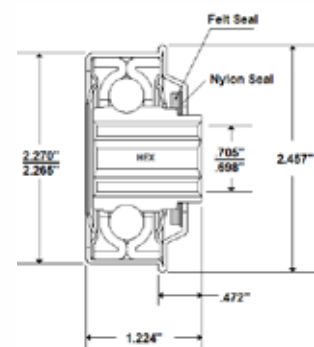


Conveyor Flanged Non-Precision Roller Bearing
Interchangeable with Frantz #2532

11/16" Hex Bore
2.270" OD & 2.437" Flange OD - Pressed Fit
Load Rating: 425 LBS
2-1/2" Tube Size, 11g Tube Thickness
Steel Ball: 11 PCS 3/8" Diameter 200 Grade
Nylon Seal

Housing Carbon Steel, Zinc Plated
Outer Race Carbon Steel, Hardened, Zinc Plated
Inner Race - Carbon Steel, Hardened, Zinc Plated
Washer - Carbon Steel, Hardened, Zinc Plated
Lubrication: Greased or Oiled

FM575-1742H

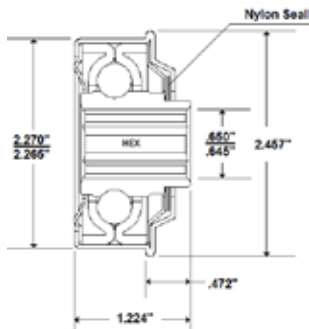


Conveyor Flanged Non-Precision Roller Bearing
Interchangeable with Frantz #2542

11/16" Hex Bore
2.270" OD & 2.437" Flange OD - Pressed Fit
Load Rating: 425 LBS
2-1/2" Tube Size, 11g Tube Thickness
Steel Ball: 11 PCS. 3/8" Diameter 200 Grade
Nylon Seal; Felt Seal

Housing Carbon Steel, Zinc Plated
Outer Race Carbon Steel, Hardened, Zinc Plated
Inner Race - Carbon Steel, Hardened, Zinc Plated
Washer - Carbon Steel, Hardened, Zinc Plated
Lubrication: Greased or Oiled

FM575-1639H

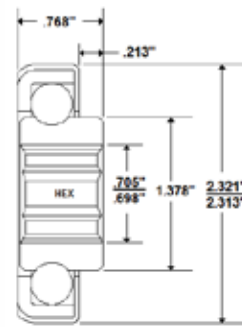


Conveyor Flanged Non-Precision Roller Bearing
Interchangeable with Frantz #2539

5/8" Hex Bore
2.270" OD & 2.437" Flange OD - Pressed Fit
Load Rating: 425 LBS
2-1/2" Tube Size, 11g Tube Thickness
Steel Ball: 11 PCS. 3/8" Diameter 200 Grade
Nylon Seal

Housing Carbon Steel, Zinc Plated
Outer Race Carbon Steel, Hardened, Zinc Plated
Inner Race - Carbon Steel, Hardened, Zinc Plated
Washer - Carbon Steel, Hardened, Zinc Plated
Lubrication: Greased or Oiled

SA588-1713H

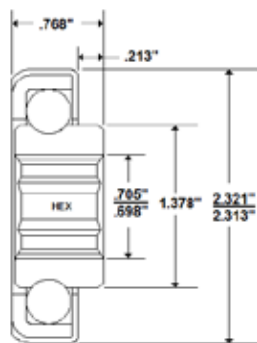


Straight Faced Non-Precision Roller Bearing
Interchangeable with Frantz #4113

11/16" Hex Bore
2.321" OD - Pressed Fit
Load Rating: 600 LBS
2-1/2" Tube Size, 11g Tube Thickness
Steel Ball: 13 PCS. 3/8" Diameter

Housing Carbon Steel, Zinc Plated
Outer Race Carbon Steel, Hardened, Zinc Plated
Inner Race - Carbon Steel, Hardened, Zinc Plated
Washer - Carbon Steel, Hardened, Zinc Plated
Lubrication: Greased or Oiled

SA588-1714H

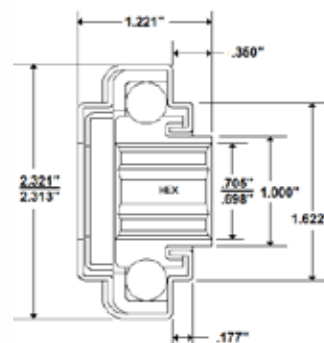


Straight Faced Non-Precision Roller Bearing
Interchangeable with Frantz #4114

11/16" Hex Bore
2.321" OD - Pressed Fit
Load Rating: 600 LBS
2-1/2" Tube Size, 11g Tube Thickness
Steel Ball: 13 PCS. 3/8" Diameter

Housing Carbon Steel, Zinc Plated
Outer Race Carbon Steel, Hardened, Zinc Plated
Inner Race - Carbon Steel, Hardened, Zinc Plated
Washer - Carbon Steel, Hardened, Zinc Plated
Lubrication: Greased or Oiled

SA588-1715H

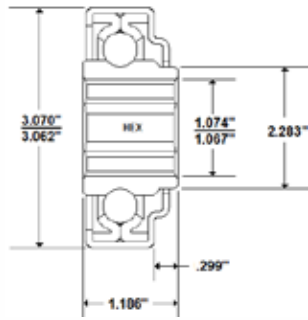


Straight Faced Non-Precision Roller Bearing
Interchangeable with Frantz #4115

11/16" Hex Bore
2.321" OD - Pressed Fit
Load Rating: 600 LBS
2-1/2" Tube Size, 11g Tube Thickness
Steel Ball: 13 PCS. 3/8" Diameter

Housing Carbon Steel, Zinc Plated
Outer Race Carbon Steel, Hardened, Zinc Plated
Inner Race - Carbon Steel, Hardened, Zinc Plated
Washer - Carbon Steel, Hardened, Zinc Plated
Lubrication: Greased or Oiled

SM778-2765H

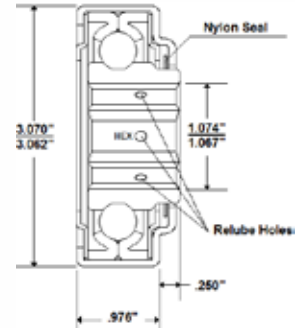


Straight Faced Non-Precision Roller Bearing
Interchangeable with Frantz #3065

- 1-1/16" Hex Bore
- 3.066" OD - Pressed Fit
- Load Rating: 603 LBS
- 3-1/2" Tube Size, 0.30 Tube Thickness
- Steel Ball: 15 PCS. 7/16" Diameter

- Housing Carbon Steel, Zinc Plated
- Outer Race Carbon Steel, Hardened, Zinc Plated
- Inner Race - Carbon Steel, Hardened, Zinc Plated
- Washer - Carbon Steel, Hardened, Zinc Plated
- Lubrication: Greased or Oiled

SM778-2780H

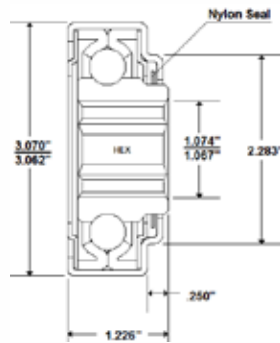


Straight Faced Non-Precision Roller Bearing
Interchangeable with Frantz #3080

- 1-1/16" Hex Bore
- 3.066" OD - Pressed Fit
- Load Rating: 603 LBS
- 3-1/2" Tube Size, 0.30 Tube Thickness
- Steel Ball: 15 PCS. 7/16" Diameter
- Nylon Seal; Re-lube Holes

- Housing Carbon Steel, Zinc Plated
- Outer Race Carbon Steel, Hardened, Zinc Plated
- Inner Race - Carbon Steel, Hardened, Zinc Plated
- Washer - Carbon Steel, Hardened, Zinc Plated
- Lubrication: Greased or Oiled

SM778-2782H



Straight Faced Non-Precision Roller Bearing
Interchangeable with Frantz #3082

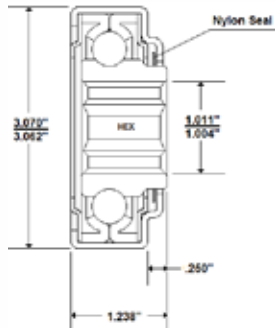
- 1-1/16" Hex Bore
- 3.066" OD - Pressed Fit
- Load Rating: 603 LBS
- 3-1/2" Tube Size, 0.30 Tube Thickness
- Steel Ball: 15 PCS. 7/16" Diameter
- Nylon Seal

- Housing Carbon Steel, Zinc Plated
- Outer Race Carbon Steel, Hardened, Zinc Plated
- Inner Race - Carbon Steel, Hardened, Zinc Plated
- Washer - Carbon Steel, Hardened, Zinc Plated
- Lubrication: Greased or Oiled



SM778-2782H

SM778-2587H



Straight Faced Non-Precision Roller Bearing
Interchangeable with Frantz #3087

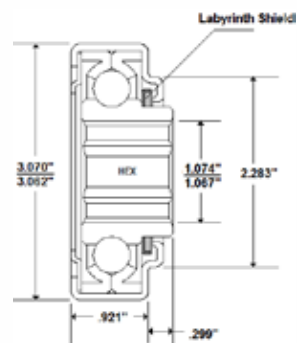
1" Hex Bore
3.066" OD - Pressed Fit
Load Rating: 603 LBS
3-1/2" Tube Size, 0.30 Tube Thickness
Steel Ball: 15 PCS. 7/16" Diameter
Nylon Seal

Housing Carbon Steel, Zinc Plated
Outer Race Carbon Steel, Hardened, Zinc Plated
Inner Race - Carbon Steel, Hardened, Zinc Plated
Washer - Carbon Steel, Hardened, Zinc Plated
Lubrication: Greased or Oiled



SM778-2587H

SM778-2790H



Straight Faced Non-Precision Roller Bearing
Interchangeable with Frantz #3090

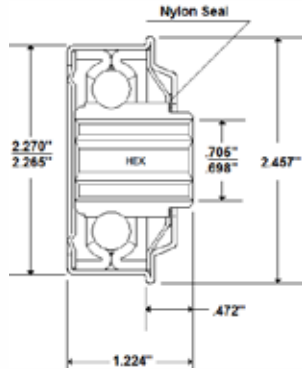
1-1/16" Hex Bore
3.066" OD - Pressed Fit
Load Rating: 603 LBS
3-1/2" Tube Size, 0.30 Tube Thickness
Steel Ball: 15 PCS. 7/16" Diameter
Labyrinth Shield

Housing Carbon Steel, Zinc Plated
Outer Race Carbon Steel, Hardened, Zinc Plated
Inner Race - Carbon Steel, Hardened, Zinc Plated
Washer - Carbon Steel, Hardened, Zinc Plated
Lubrication: Greased or Oiled



SM778-2790H

2-0054-001

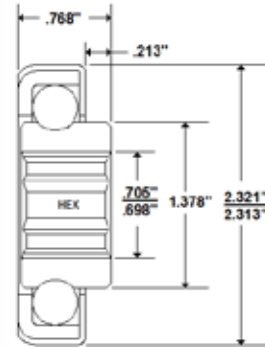


Conveyor Flanged Non-Precision Roller Bearing
Logan Part #11-LL

11/16" Hex Bore
2.269" OD; 2.437" Flange OD
Load Rating: 300 LBS
Steel Ball: 11 PCS. 3/8" Diameter

Housing Carbon Steel
Outer Race Carbon Steel, Hardened
Inner Race - Carbon Steel, Hardened
Lubricated for Life

2-0066-001

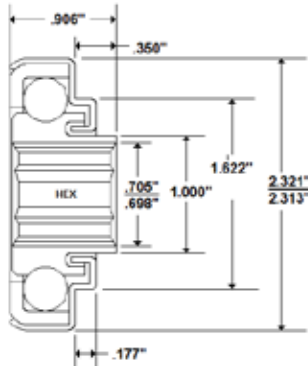


Straight Faced Non-Precision Roller Bearing
Logan Part #13

11/16" Hex Bore
2.321" OD
Load Rating: 300 LBS
Steel Ball: 13 PCS. 3/8" Diameter

Housing Carbon Steel
Outer Race Carbon Steel, Hardened
Inner Race - Carbon Steel, Hardened
Lubrication: Greased

2-0068-001

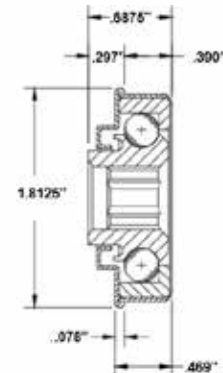


Straight Faced Non-Precision Roller Bearing
Logan Part #13-D

11/16" Hex Bore
2.321" OD
Load Rating: 300 LBS
Steel Ball: 13 PCS. 3/8" Diameter
Dust Shield

Housing Carbon Steel, Zinc Plated
Outer Race Carbon Steel, Hardened, Zinc Plated
Inner Race - Carbon Steel, Hardened, Zinc Plated
Lubrication: Greased

2-0041-001

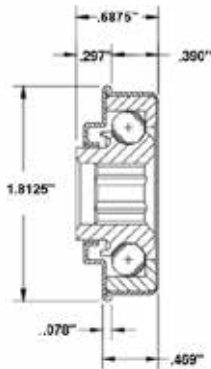


Conveyor Flanged Non-Precision Roller Bearing
Logan Part #20-D

7/16" Hex Bore
1-13/16" OD
Load Rating: 135 LBS
Steel Ball: 12 PCS. 9/32" Diameter
Dust Shield

Housing Carbon Steel, Zinc Plated
Outer Race Carbon Steel, Hardened, Zinc Plated
Inner Race - Carbon Steel, Hardened, Zinc Plated
Lubrication: Greased

2-0042-001

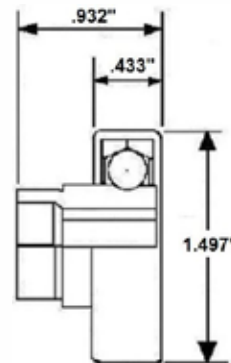


Conveyor Flanged Non-Precision Roller Bearing
Logan Part #20-LL

7/16" Hex Bore
1-13/16" OD
Load Rating: 135 LBS
Steel Ball: 12 PCS. 9/32" Diameter

Housing Carbon Steel
Outer Race Carbon Steel, Hardened
Inner Race - Carbon Steel, Hardened
Lubrication: Lubricated For Life

4-0191-001

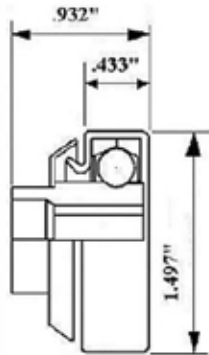


Straight Faced Non-Precision Roller Bearing
Logan Part #50

7/16" Hex Bore
1.497" OD
Load Rating: 135 LBS
Steel Ball: 12 PCS. 1/4" Diameter

Housing Carbon Steel
Outer Race Carbon Steel, Hardened
Inner Race - Carbon Steel, Hardened
Lubrication: Greased

4-0191-002

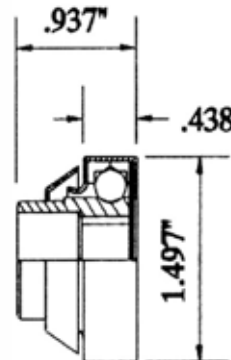


Straight Faced Non-Precision Roller Bearing
Logan Part #50-D

7/16" Hex Bore
1.497" OD
Load Rating: 135 LBS
Steel Ball: 12 PCS. 1/4" Diameter
Dust Shield

Housing Carbon Steel
Outer Race Carbon Steel, Hardened
Inner Race - Carbon Steel, Hardened
Lubrication: Greased

4-0191-003

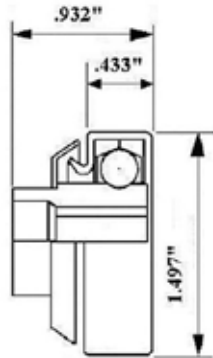


Straight Faced Non-Precision Roller Bearing
Logan Part #50-LL

7/16" Hex Bore
1.497" OD
Load Rating: 135 LBS
Steel Ball: 12 PCS. 1/4" Diameter
Dust Shield

Housing Carbon Steel
Outer Race Carbon Steel, Hardened
Inner Race - Carbon Steel, Hardened
Lubrication: Lubricated For Life

4-0191-004



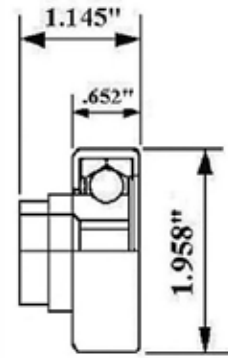
Straight Faced Non-Precision Roller Bearing
Logan Part #50-RD

0.515" Round Bore
1.497" OD

Load Rating: 135 LBS
Steel Ball: 12 PCS. 1/4" Diameter
Dust Shield

Housing Carbon Steel
Outer Race Carbon Steel, Hardened
Inner Race - Carbon Steel, Hardened
Lubrication: Greased

4-0192-001



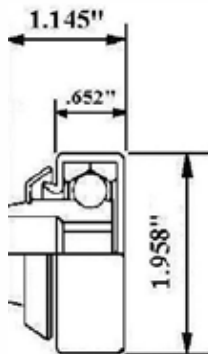
Straight Faced Non-Precision Roller Bearing
Logan Part #55

5/8" Hex Bore
1.958" OD

Load Rating: 200 LBS
Steel Ball: 12 PCS. 5/16" Diameter

Housing Carbon Steel
Outer Race Carbon Steel, Hardened
Inner Race - Carbon Steel, Hardened
Lubrication: Greased

4-0192-002



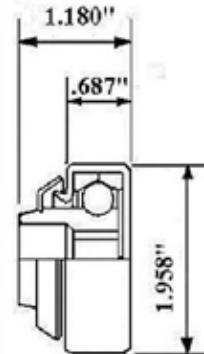
Straight Faced Non-Precision Roller Bearing
Logan Part #55-D

5/8" Hex Bore
1.958" OD

Load Rating: 200 LBS
Steel Ball: 12 PCS. 5/16" Diameter
Dust Shield

Housing Carbon Steel
Outer Race Carbon Steel, Hardened
Inner Race - Carbon Steel, Hardened
Lubrication: Greased

4-0192-003



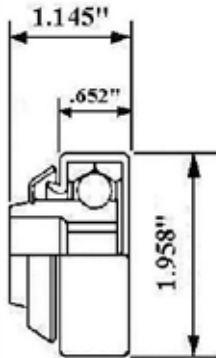
Straight Faced Non-Precision Roller Bearing
Logan Part #55-LL

5/8" Hex Bore
1.958" OD

Load Rating: 200 LBS
Steel Ball: 12 PCS. 5/16" Diameter
Dust Shield

Housing Carbon Steel
Outer Race Carbon Steel, Hardened
Inner Race - Carbon Steel, Hardened
Lubrication: Lubricated For Life

4-0192-004

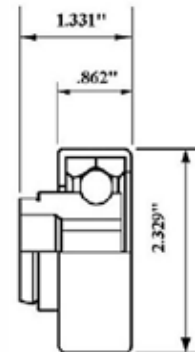


Straight Faced Non-Precision Roller Bearing
Logan Part #55-RD

0.765" Round Bore
1.958" OD
Load Rating: 200 LBS
Steel Ball: 12 PCS. 5/16" Diameter
Dust Shield

Housing Carbon Steel
Outer Race Carbon Steel, Hardened
Inner Race - Carbon Steel, Hardened
Lubrication: Greased

4-0193-001

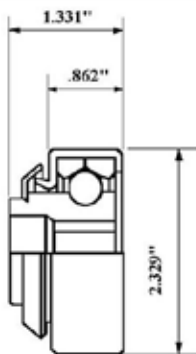


Straight Faced Non-Precision Roller Bearing
Logan Part #60

11/16" Hex Bore
2.329" OD
Load Rating: 300 LBS
Steel Ball: 12 PCS. 3/8" Diameter

Housing Carbon Steel
Outer Race Carbon Steel, Hardened
Inner Race - Carbon Steel, Hardened,
Lubrication: Greased

4-0193-002

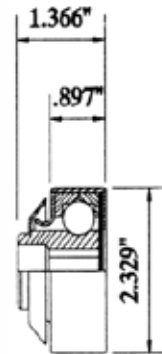


Straight Faced Non-Precision Roller Bearing
Logan Part #60-D / 60-RD

11/16" Hex Bore (Optional 0.765" Round)
2.329" OD
Load Rating: 300 LBS
Steel Ball: 12 PCS. 3/8" Diameter
Dust Shield

Housing Carbon Steel
Outer Race Carbon Steel, Hardened
Inner Race - Carbon Steel, Hardened
Lubrication: Greased

4-0193-003

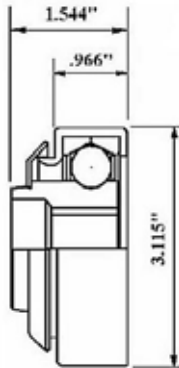


Straight Faced Non-Precision Roller Bearing
Logan Part #60-LL

11/16" Hex Bore
2.329" OD
Load Rating: 300 LBS
Steel Ball: 12 PCS. 3/8" Diameter
Dust Shield

Housing Carbon Steel
Outer Race Carbon Steel, Hardened
Inner Race - Carbon Steel, Hardened
Lubrication: Lubricated For Life

4-0194-001

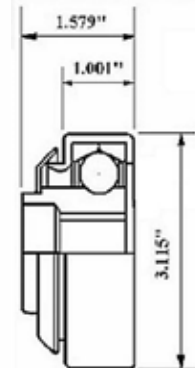


Straight Faced Non-Precision Roller Bearing
Logan Part #70-D

1" Hex Bore (Optional 1-1/16" Hex OR 1-3/16" Round)
3.115" OD
Load Rating: 1000 LBS
Steel Ball: 13 PCS. 1/2" Diameter
Dust Shield

Housing Carbon Steel
Outer Race Carbon Steel, Hardened
Inner Race - Carbon Steel, Hardened
Lubrication: Greased

4-0194-002

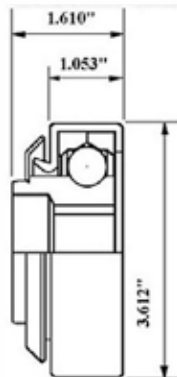


Straight Faced Non-Precision Roller Bearing
Logan Part #70-LL

1" Hex Bore (Optional 1-1/16" Hex)
3.115" OD
Load Rating: 1000 LBS
Steel Ball: 13 PCS. 1/2" Diameter
Dust Shield

Housing Carbon Steel
Outer Race Carbon Steel, Hardened
Inner Race - Carbon Steel, Hardened
Lubrication: Greased

4-0201-001

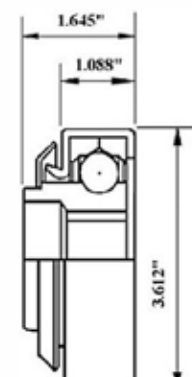


Straight Faced Non-Precision Roller Bearing
Logan Part #75-D

1-1/4" Hex Bore (Optional 1.453" Round)
3.612" OD
Load Rating: 1800 LBS
Steel Ball: 13 PCS. 9/16" Diameter
Dust Shield

Housing Carbon Steel
Outer Race Carbon Steel, Hardened
Inner Race - Carbon Steel, Hardened
Lubrication: Greased

4-0201-002

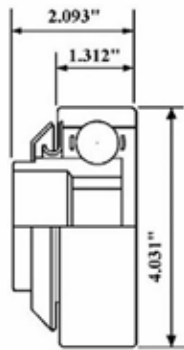


Straight Faced Non-Precision Roller Bearing
Logan Part #75-LL

1-1/4" Hex Bore
3.612" OD
Load Rating: 1800 LBS
Steel Ball: 13 PCS. 9/16" Diameter
Dust Shield

Housing Carbon Steel
Outer Race Carbon Steel, Hardened
Inner Race - Carbon Steel, Hardened
Lubrication: Greased

4-0202-001

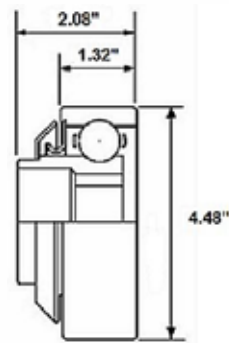


Straight Faced Non-Precision Roller Bearing
Logan Part #85-D / 85-RD

1-1/2" Hex Bore (Optional 1.703" Round)
4.031" OD
Load Rating: 3800 LBS
Steel Ball: 8 PCS. 11/16" Diameter
Dust Shield

Housing Carbon Steel
Outer Race Carbon Steel, Hardened
Inner Race - Carbon Steel, Hardened
Lubrication: Greased

4-0204-001

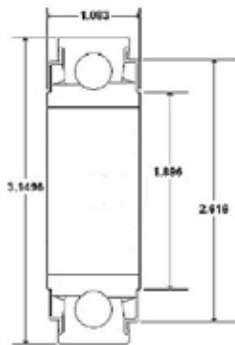


Straight Faced Non-Precision Roller Bearing
Logan Part #90-D / 90-RD

1-5/8" Hex Bore (Optional 1.953" Round)
4.484" OD
Load Rating: 4,000 LBS
Steel Ball: 8 PCS. 3/4" Diameter
Dust Shield

Housing Carbon Steel
Outer Race Carbon Steel, Hardened
Inner Race - Carbon Steel, Hardened
Lubrication: Greased

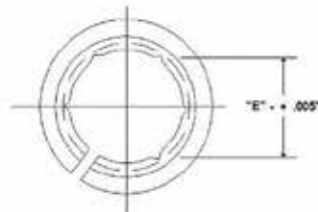
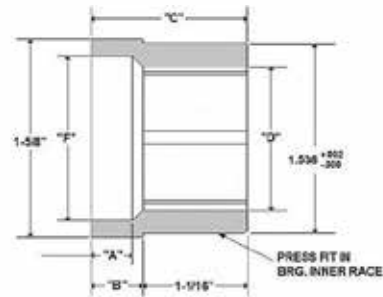
2-0013-001



Straight Faced Non-Precision Roller Bearing
Logan Part #88128

See Hex Inserts Available On Drawing
3.1496" OD
Load Rating: 3,000 LBS

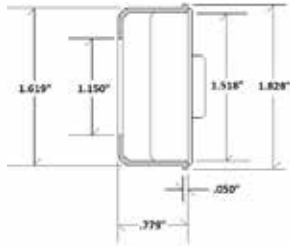
Housing Carbon Steel
Outer Race Carbon Steel, Hardened
Inner Race - Carbon Steel, Hardened



Part#	A	B	C	D	E	F
4-0015-001	7/16"	17/32"	1-19/32"	1-1/16"	1.040"	1-5/16"
4-0015-002	5/32"	3/16"	1-1/4"	1-1/16"	1.040"	1-5/16"
4-0015-003	7/16"	17/32"	1-19/32"	1-1/8"	1.0875"	1-3/8"
4-0015-004	5/32"	3/16"	1-1/4"	1-1/8"	1.0875"	1-3/8"

HOUSINGS

1SP- B5235

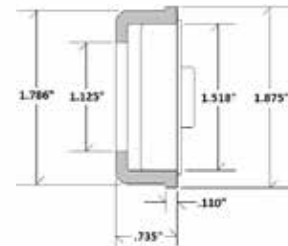


End Cup Bearing Adaptor
Interchangeable with Mathews# B5235

Housing: Carbon Steel, Zinc Plated
Bushing: Carbon Steel, Hardened, Zinc Plated

Used with 1.90" diameter X 0.148" Roller

1SP- B5239

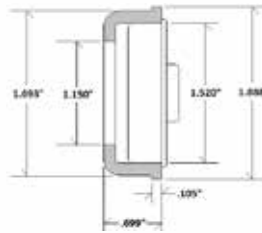


End Cup Bearing Adaptor
Interchangeable with Mathews# B5239

Housing : Carbon Steel, Zinc Plated
Bushing: Carbon Steel, Hardened, Zinc Plated

Used with 1.90" diameter X 0.065" Roller

1SP- B5241



End Cup Bearing Adaptor
Interchangeable with Mathews #B5241

Housing: Carbon Steel, Zinc Plated
Bushing: Carbon Steel, Hardened, Zinc Plated

Used with 1.90" diameter X 0.109" Roller

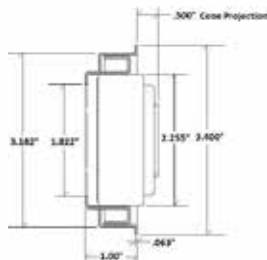


1SP-B5241



1SP-B5248

1SP- B5248

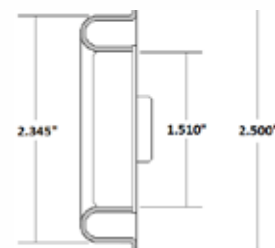


End Cup Bearing Adaptor
Interchangeable with Mathews #B5248

Housing: Carbon Steel, Zinc Plated
Bushing: Carbon Steel, Hardened, Zinc Plated

Used with 3.50" diameter X 0.148" Roller

1SP- B5251

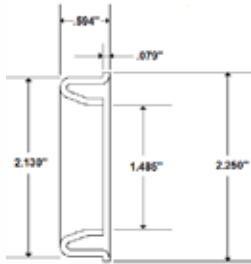


End Cup Bearing Adaptor
Interchangeable with Mathews #B5251

Housing: Carbon Steel, Zinc Plated
Bushing: Carbon Steel, Hardened, Zinc Plated

Used with 2.50" Tapered Roller

EC540-376

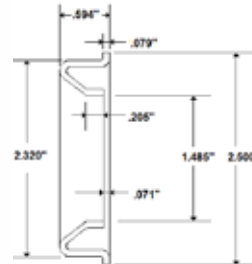


End Cup Bearing Adaptors
Interchangeable with Frantz #3134EC

Housing: Carbon Steel, Zinc Plated
Bushing: Carbon Steel, Hardened, Zinc Plated

following Bearings can be used with adaptor:
FA380-1100H, FA380-1110H, FA380-1115H, FA380-1121H
(Frantz 1500 Series)

EC588-378

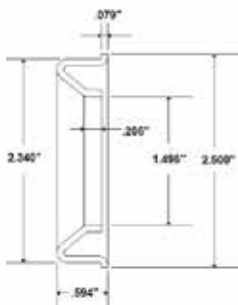


End Cup Bearing Adaptors
Interchangeable with Frantz #3133EC

Housing : Carbon Steel, Zinc Plated
Bushing: Carbon Steel, Hardened, Zinc Plated

following Bearings can be used with adaptor:
FA380-1100H, FA380-1110H, FA380-1115H, FA380-1121H
(Frantz 1500 Series)

EC593-376

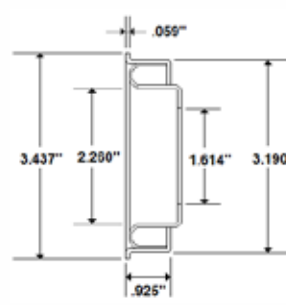


End Cup Bearing Adaptors
Interchangeable with Frantz #3135EC

Housing: Carbon Steel, Zinc Plated
Bushing: Carbon Steel, Hardened, Zinc Plated

Following Bearings can be used with adaptor:
FA380-1100H, FA380-1110H, FA380-1115H, FA380-1121H
(Frantz 1500 Series)

EC810-574



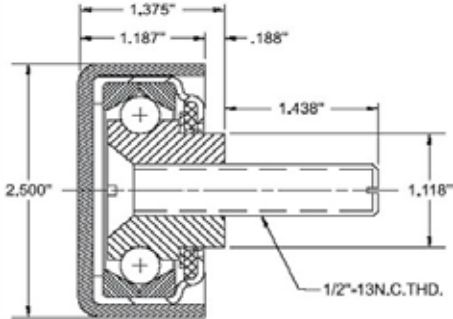
End Cup Bearing Adaptors
Interchangeable with Frantz #3500EC

Housing: Carbon Steel, Zinc Plated
Bushing: Carbon Steel, Hardened, Zinc Plated

Following Bearings can be used with adaptor:
All FM575-1700 Series
(Frantz 2500 Series)

Skate Wheels

1SP-B4031-2

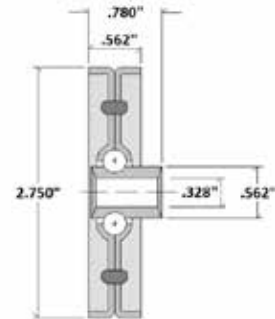


Straight Faced Wheel
Interchangeable with Mathews #B4031-2

1/2" Bolt
2.50" OD
1.187" Tread Width
Load Rating: 300 LBS
Steel Ball: 12 PCS. 3/8" Diameter

Raceways Hardened, Front Seal
Back Bearing Sealed by Tire
Integral Screw
Lubrication: Greased Packed

1SP-B4050-1

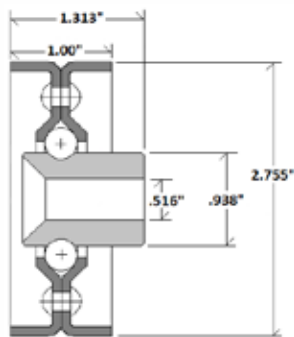


Straight Faced Wheel
Interchangeable with Mathews #B4050-1

5/16" Round Bore
2-3/4" OD
9/16" Tread Width
Load Rating: 30 LBS
Steel Ball: 8 PCS. 1/4" Diameter

Outer Race Carbon Steel, Hardened, Zinc Plated
Inner Race - Carbon Steel, Hardened, Zinc Plated
Rivet - Carbon Steel, Hardened, Zinc Plated
Lubrication: Lightly Oiled

1SP-B4062-1



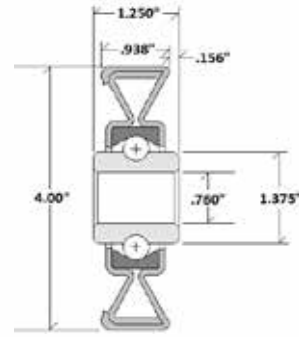
Straight Faced Wheel
Interchangeable with Mathews #B4062-1

1/2" Round Bore
2.755" OD
1" Tread Width
Load Rating: 50 LBS
Steel Ball 11 PCS. 5/16" Dia.

Outer Race Carbon Steel, Hardened, Zinc Plated
Inner Race - Carbon Steel, Hardened, Zinc Plated
Rivet - Carbon Steel, Hardened, Zinc Plated

Lubrication: Lightly Oiled

1SP-B4080-1



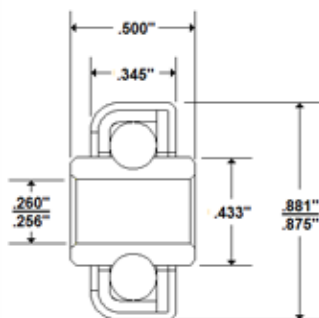
Straight Faced Wheel
Interchangeable with Mathews #B4080-1

3/4" Round Bore
4.00" OD
0.938" Tread Width
Load Rating: 300 LBS
Steel Ball: 12 PCS. 3/8" Dia.

Housing Carbon Steel, Zinc Plated
Outer Race Carbon Steel, Hardened, Zinc Plated
Inner Race - Carbon Steel, Hardened, Zinc Plated

Lubrication: Oiled

SA222-0675



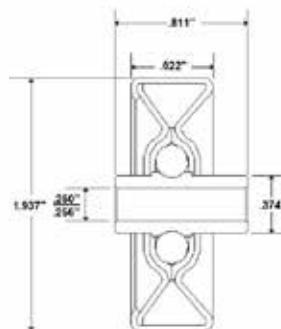
Conveyor Wheel
Interchangeable with Frantz #875

1/4" Round Bore
7/8" OD
0.344" Tread Width
Load Rating: 40 LBS
Steel Ball: 8 PCS. 3/16" Diameter

Housing Carbon Steel, Zinc Plated
Outer Race Carbon Steel, Hardened, Zinc Plated

Lubrication: Greased or Oiled

SKM492-0731SS

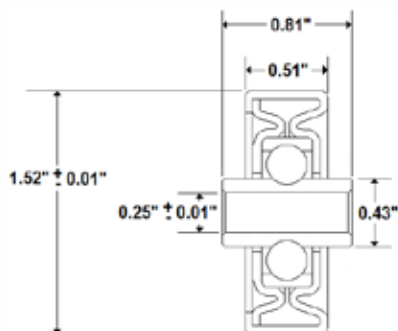


Conveyor Wheel
Interchangeable with Frantz #31SS

1/4" Round Bore
1.937" OD
5/16" Tread Width
Load Rating: 50 LBS
Steel Ball: 7 PCS. 1/4" Diameter (Stainless)

Housing Stainless Steel
Outer Race Stainless Steel
Inner Race - Stainless Steel
Lubrication: Lightly Oiled

SKB152-0601



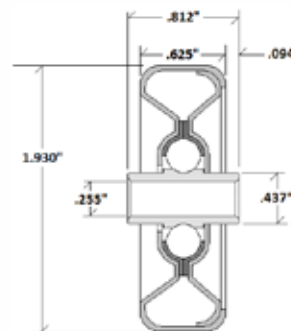
Straight Faced Wheel
Interchangeable with Frantz #15

1/4" Round Bore
1.531" OD
0.531" Tread Width
Load Rating: 100 LBS
Steel Ball: 7 PCS. 1/4" Diameter

Housing Carbon Steel, Zinc Plated
Outer Race Carbon Steel, Hardened, Zinc Plated

Lubrication: Greased or Oiled

1SP-B4000-1



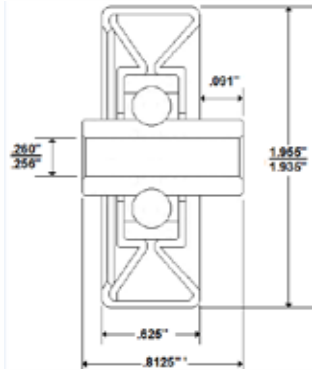
Straight Faced Skate Wheel
Interchangeable with Mathews #B4000-1
Interchangeable with Frantz #50

1/4" Round Bore
1-9/16" OD
5/8" Tread Width
Load Rating: 70 LBS
Steel Ball: 7 PCS. 1/4" Diameter

Housing - Carbon Steel, Zinc Plated
Outer Race Carbon Steel, Hardened, Zinc Plated

Lubrication: Lightly Oiled

SKB492-1501

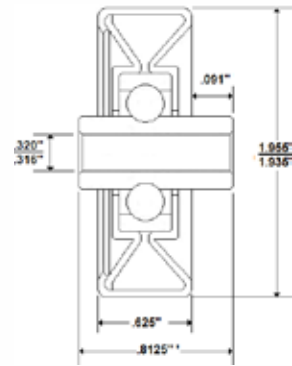


Conveyor Wheel
Interchangeable with Frantz #76

1/4" Round Bore
1-15/16" OD
5/8" Tread Width
Load Rating: 150 LBS
Steel Ball: 7 PCS. 1/4" Diameter

Housing Carbon Steel, Zinc Plated
Outer Race Carbon Steel, Hardened, Zinc Plated
Inner Race - Carbon Steel, Hardened, Zinc Plated
Lubrication: Lightly Oiled

SKB492-1502

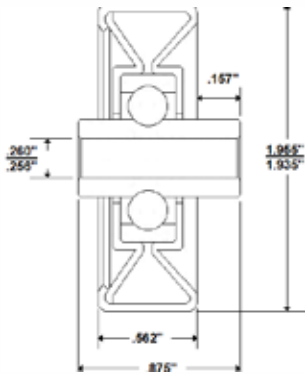


Conveyor Wheel
Interchangeable with Frantz #77

5/16" Round Bore
1-15/16" OD
5/8" Tread Width
Load Rating: 150 LBS
Steel Ball: 7 PCS. 1/4" Diameter

Housing Carbon Steel, Zinc Plated
Outer Race Carbon Steel, Hardened, Zinc Plated
Inner Race - Carbon Steel, Hardened, Zinc Plated
Lubrication: Lightly Oiled

SKB492-2008

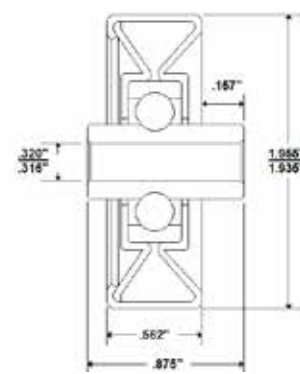


Conveyor Wheel
Interchangeable with Frantz #150

1/4" Round Bore
1-15/16" OD
9/16" Tread Width
Load Rating: 150 LBS
Steel Ball: 8 PCS. 1/4" Diameter

Housing Carbon Steel, Zinc Plated
Outer Race Carbon Steel, Hardened, Zinc Plated
Inner Race - Carbon Steel, Hardened, Zinc Plated
Lubrication: Lightly Oiled

SKB492-2009

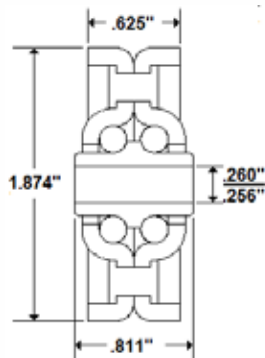


Conveyor Wheel
Interchangeable with Frantz #30

5/16" Round Bore
1-15/16" OD
9/16" Tread Width
Load Rating: 150 LBS
Steel Ball: 8 PCS. 1/4" Diameter

Housing Carbon Steel, Zinc Plated
Outer Race Carbon Steel, Hardened, Zinc Plated
Inner Race - Carbon Steel, Hardened, Zinc Plated
Lubrication: Lightly Oiled

SKR478-1500

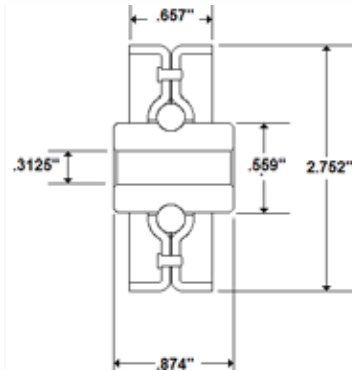


Conveyor Wheel
Interchangeable with Frantz #600

1/4" Round Bore
1-7/8" OD
13/16" Bore Length
Load Rating: 130 LBS
Steel Ball: 20 PCS. 3/16" Diameter

Outer Race Carbon Steel, Hardened, Zinc Plated
Inner Race - Carbon Steel, Hardened, Zinc Plated
Rivet - Carbon Steel, Hardened, Zinc Plated
Lubrication: Lightly Oiled

SKR699-0858

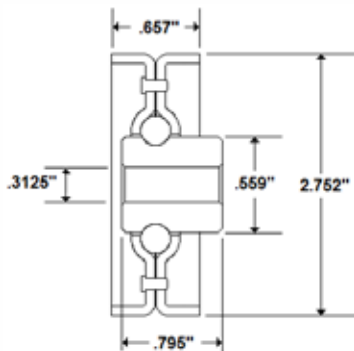


Conveyor Wheel
Interchangeable with Frantz #2758

5/16" Round Bore
2-3/4" OD
7/8" Bore Length
Load Rating: 100 LBS
Steel Ball: 15 PCS. 3/16" Diameter

Outer Race Carbon Steel, Hardened, Zinc Plated
Inner Race - Carbon Steel, Hardened, Zinc Plated
Rivet - Carbon Steel, Hardened, Zinc Plated
Lubrication: Lightly Oiled

SKR699-0859

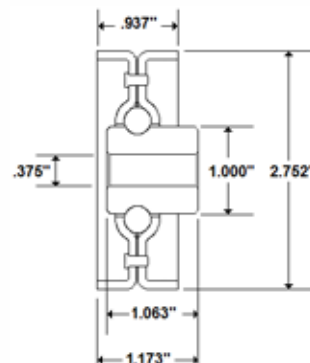


Conveyor Wheel
Interchangeable with Frantz #2759

5/16" Round Bore
2-3/4" OD
51/64" (offset .227) Bore Length
Load Rating: 100 LBS
Steel Ball: 15 PCS. 3/16" Diameter

Outer Race Carbon Steel, Hardened, Zinc Plated
Inner Race - Carbon Steel, Hardened, Zinc Plated
Rivet - Carbon Steel, Hardened, Zinc Plated
Lubrication: Lightly Oiled

SKR699-1065



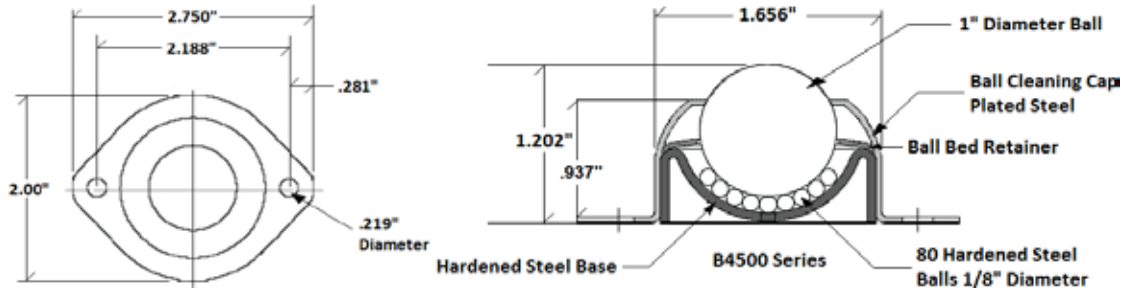
Conveyor Wheel
Interchangeable with Frantz #2765

3/8" Round Bore
2-3/4" OD
1-1/16" (offset 9/16) Bore Length
Load Rating: 200 LBS
Steel Ball: 15 PCS. 3/16" Diameter

Outer Race Carbon Steel, Hardened, Zinc Plated
Inner Race - Carbon Steel, Hardened, Zinc Plated
Rivet - Carbon Steel, Hardened, Zinc Plated
Lubrication: Lightly Oiled

Ball Transfers

1SP-B4500



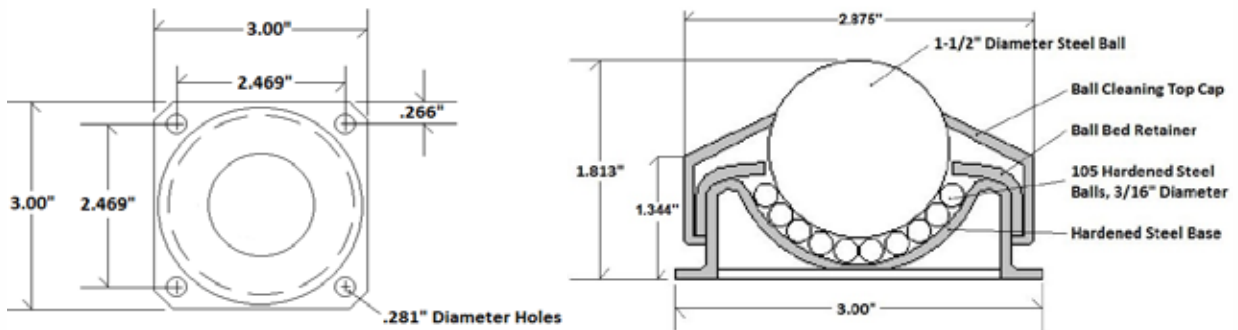
Ball Transfer Flange Mount
Comparable to Mathews #B4500

Main Ball - 1" Diameter Carbon Steel Ball
2 Mounting Holes

Load Rating - 50 LBS

Housing Carbon Steel, Hardened
Support Cup - Carbon Steel, Hardened
Support Ball Bearing: 80 PCS. 1/8" Diameter Carbon Steel

1SP-B4520



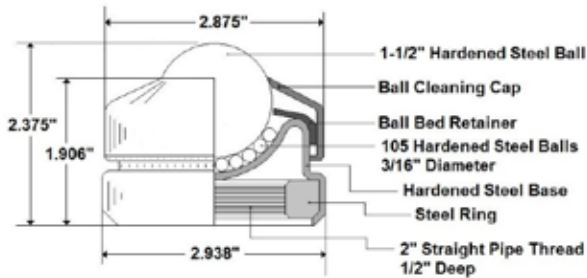
Ball Transfer Flange Mount
Interchangeable with Mathews #B4520

4 Mounting Holes
Main Ball - 1-1/2" Diameter Carbon Steel Ball

Load Rating - 100 LBS

Housing Carbon Steel, Hardened
Support Cup - Carbon Steel, Hardened
Support Ball Bearing: 105 PCS. 3/16" Diameter Carbon Steel

1SP-B4530



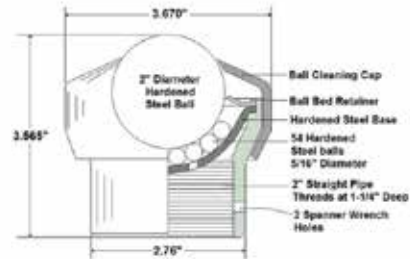
Ball Transfer Pipe Mount
Comparable to Mathews #B4530

Main Ball - 1-1/2" Diameter Carbon Steel Ball
2" Straight Pipe Thread

Load Rating - 100 LBS

Housing Carbon Steel, Hardened
Support Cup - Carbon Steel, Hardened
Support Ball Bearing: 105 PCS. 3/16" Diameter Carbon Steel

1SP-B4551



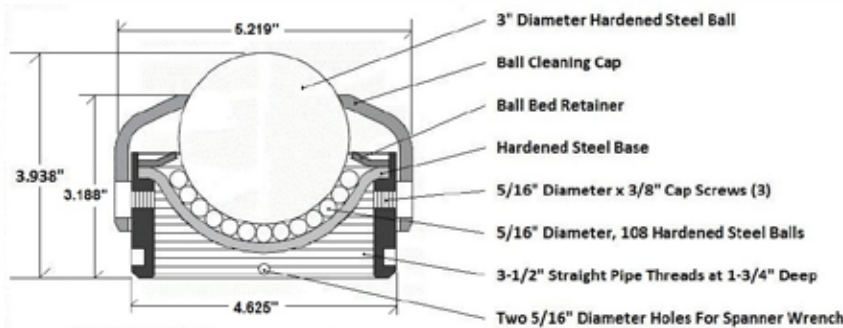
Ball Transfer Pipe Mount
Comparable to Mathews #B4551

Main Ball - 2" Diameter Carbon Steel Ball
2" Straight Pipe Thread (1-1/4" Deep)
two 5/16" Holes for Spanner Wrench

Load Rating - 250 LBS

Housing Carbon Steel, Hardened
Support Cup - Carbon Steel, Hardened
Support Ball Bearing: 54 PCS. 5/16" Diameter Carbon Steel

1SP-B4560



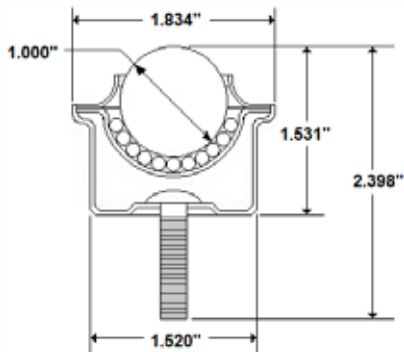
Ball Transfer Pipe Mount
Interchangeable with Mathews #B4560

Main Ball - 3" Diameter Carbon Steel Ball
3-1/2" Straight Pipe Thread (1-3/4" Deep)
two 5/16" Holes for Spanner Wrench

Load Rating - 650 LBS

Housing Carbon Steel, Hardened
Support Cup - Carbon Steel, Hardened
Support Ball Bearing: 108 PCS. 5/16" Diameter Carbon Steel

BT254-3



Ball Transfer Stud Mount
Comparable to Frantz #1000

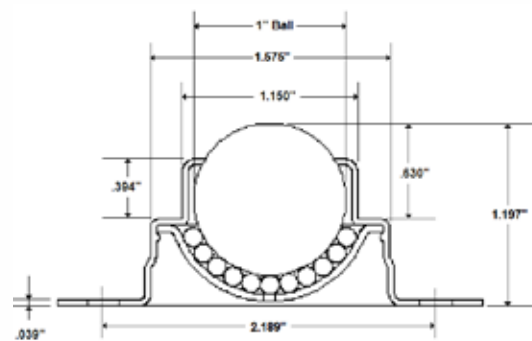
Main Ball - 1" Diameter Carbon Steel Ball
Available with Nylon Ball (BT254-3N)

1/4"-20 Threaded Stud Mount

Load Rating - 55 LBS

Housing Carbon Steel, Hardened, Zinc Plated
Support Cup - Carbon Steel, Hardened, Zinc Plated
Support Ball Bearing: 0.13" Diameter, Carbon Steel

BT254-1100



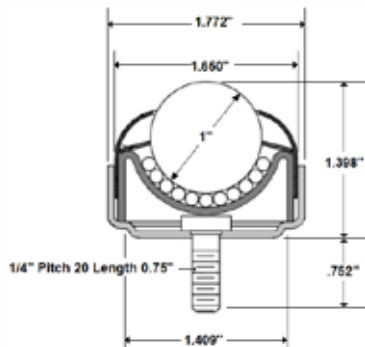
Ball Transfer Flange Mount
Interchangeable with Frantz #1100

Main Ball - 1" Diameter Carbon Steel Ball
2 Mounting Holes
0.219" Mounting Hole Size

Load Rating - 150 LBS

Housing Carbon Steel, Hardened, Zinc Plated
Support Cup - Carbon Steel, Hardened, Zinc Plated
Support Ball Bearings: 0.13" Diameter, Carbon Steel

BT254-0420



Ball Transfer Stud Mount

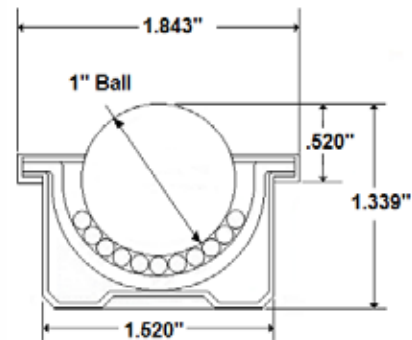
Main Ball - 1" Diameter Carbon Steel Ball

1/4"-20 Threaded Stud Mount
5/16"-18 Threaded Stud Mount (BT254-4)

Load Rating - 125 LBS

Housing Carbon Steel, Hardened, Zinc Plated
Support Cup - Carbon Steel, Hardened, Zinc Plated
Support Ball Bearing: 0.13" Diameter, Carbon Steel

BT254-7



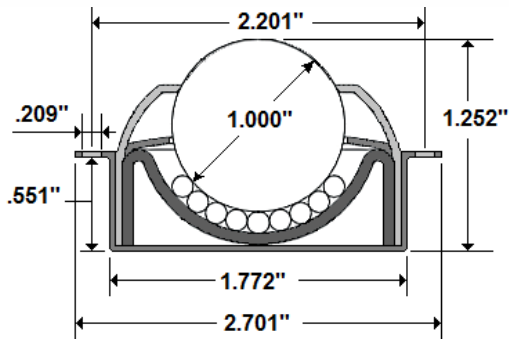
Drop In Style Ball Transfer

Main Ball - 1" Diameter Carbon Steel Ball
Designed to Recess into a 1-1/2" diameter hole

Load Rating - 125 LBS

Housing Carbon Steel, Hardened, Zinc Plated
Support Cup - Carbon Steel, Hardened, Zinc Plated
Support Ball Bearing: 1/8" Diameter, Carbon Steel

BT254-8



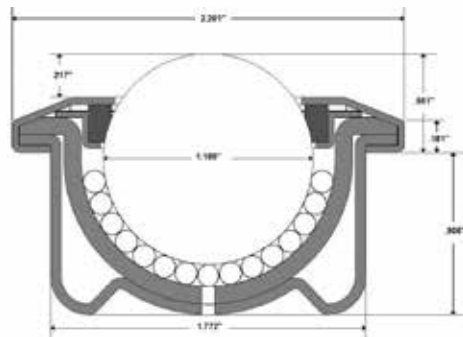
Low Profile
Ball Transfer

Main Ball - 1" Diameter Carbon Steel Ball
Designed to Recess into a 1-3/4" diameter hole
Two Hole Flanged

Load Rating - 75 LBS

Housing Carbon Steel, Hardened, Zinc Plated
Support Cup - Carbon Steel, Hardened, Zinc Plated
Support Ball Bearing: 1/8" Diameter Carbon Steel

BT300-0301



Heavy Duty Drop In
Ball Transfer

Main Ball - 1-3/16" Diameter Carbon Steel Ball
Can be dropped into a 1-3/4" diameter hole

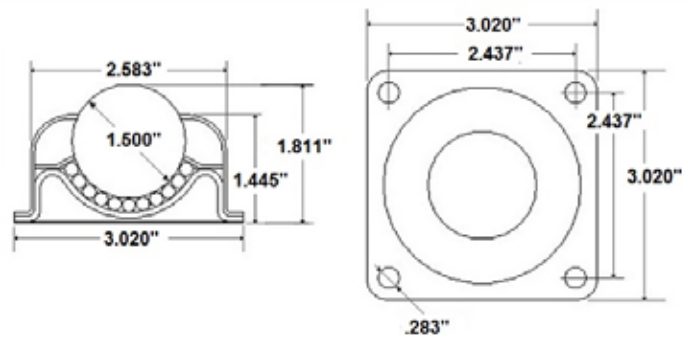
Load Rating - 330 LBS

Housing Carbon Steel, Hardened, Zinc Plated
Support Cup - Carbon Steel, Hardened, Zinc Plated
Support Ball Bearing: 1/8" Diameter, Carbon Steel

BTFM-381CS



BTFM-381CS



Heavy Duty Flange Mount Ball Transfer
4 Mounting Holes

Main Ball - 1-1/2" Diameter Carbon Steel Ball
0.28" Mounting Hole Size

Load Rating - 185 LBS

Housing Carbon Steel, Hardened, Zinc Plated
Support Cup - Carbon Steel, Hardened, Zinc Plated
Support Ball Bearing :3/16" Diameter, Carbon Steel

Other quality material handling products available from 1stSource Products, Inc. include:

E-Trac™ Enclosed Track Conveyor Equipment

- E-Trac-6 6" pitch enclosed track conveyor equipment
- E-Trac-8 8.125" pitch enclosed track conveyor equipment
- E-Trac Lite 6" pitch roundtube enclosed track conveyor equipment
- E-Trac-Q1 Side x side power & free equipment
- E-Trac-Q2 Over / under power & free equipment



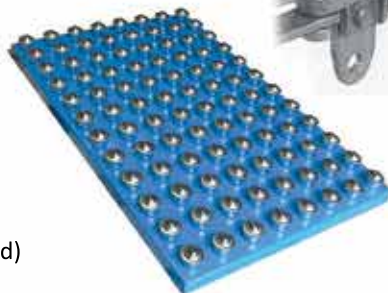
X-Trac I-beam Monorail Equipment

- X-348 3" I-beam monorail equipment
- X-458 4" I-beam monorail equipment
- X-678 6" I-beam monorail equipment



Package Handling Equipment

- Ball transfer tables
- Belt conveyors
- Chain transfers
- Flexible / expandable conveyors
- Flow rails
- Roller conveyors (gravity and powered)
- Skatewheel conveyors
- Tire retread equipment www.1stsourceretread.com
- Turntables



Replacement Components

- Ball transfers www.1stsourceballtransfers.com
- Bearings www.1stsourcebearings.com
- Chain
- Casters
- Rollers
- Skatewheels
- Sprockets
- Trolleys



Other Product Lines

- Dura-Max Fence & Gate Hardware www.1stsourcefence.com
- 1stSource Industrial Hardware & Tools www.1stsourcetools.com
- 1stSource Industrial Hinges www.1stsourcehinges.com



1stSource Products, Inc. also has an OEM division specializing in prototyping and development of high quality subcomponents and complete assemblies for many different industries.



BALL TRANSFERS



1stSource Products, Inc.
2822 Sable Mill Road
Jeffersonville, IN 47130

Toll Free: 877-338-9403 • Fax: 812-288-7971
Email: sales@1stsourceproducts.com
Web: www.1stsourceproducts.com